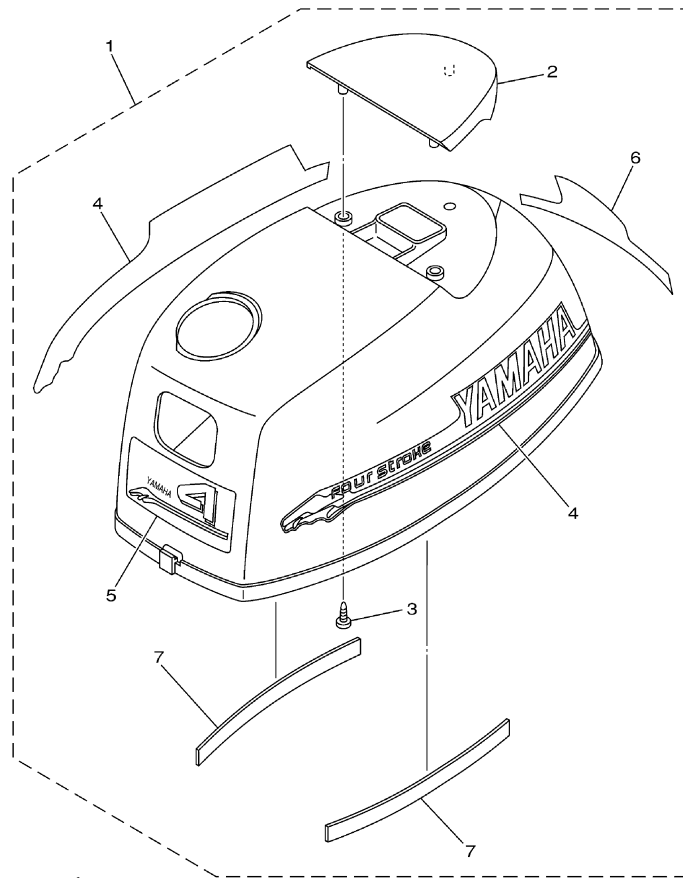


F4MSHZ 2001 / TOP COWLING



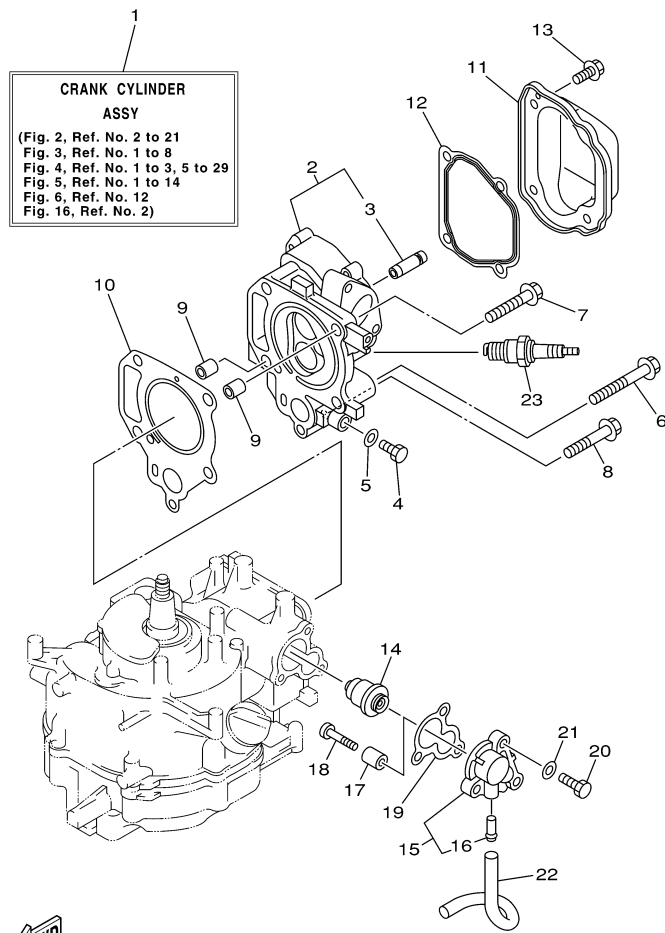
68D0010-1010

Part List

F4MSHZ 2001 / TOP COWLING

| REF - NO | PART NUMBER | PART NAME | QUANTITY | REMARKS |
|----------------|-----------------|--------------------|----------|---------|
| 1 | 68D-G2610-10-4D | TOP COWLING ASSY | 1 | (F4) |
| 2 | 68D-G2613-00-00 | .MOLDING, AIR DUCT | 1 | (F4) |
| 3 | 97780-40012-00 | .SCREW, TAPPING | 3 | (F4) |
| 4 | 67D-W0070-10-00 | .GRAPHIC SET | 1 | (F4) |
| 5 | 67D-42677-11-00 | .GRAPHIC, FRONT | 1 | (F4) |
| 6 | 67D-42678-10-00 | .GRAPHIC, REAR | 1 | (F4) |
| 7 | 68D-42662-00-00 | .DAMPER | 2 | (F4) |

F4MSHZ 2001 / CYLINDER CRANKCASE 1



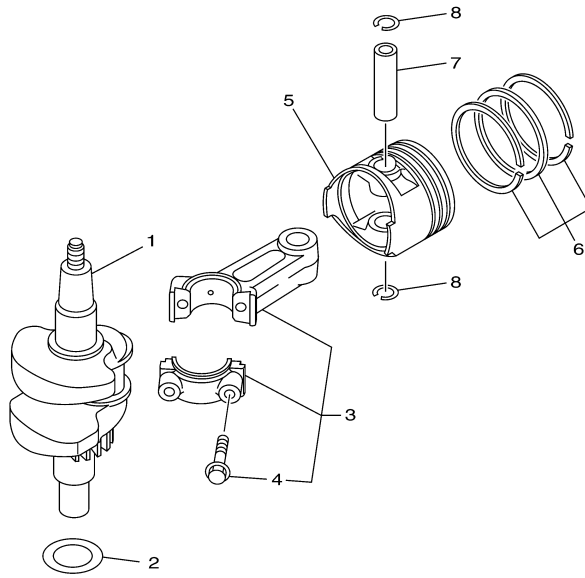

67D0100-8020

Part List

F4MSHZ 2001 / CYLINDER CRANKCASE 1

| REF - NO | PART NUMBER | PART NAME | QUANTITY | REMARKS |
|----------------|-----------------|--------------------------|----------|---------|
| 1 | 68D-WE090-00-4D | CRANK CYLINDER ASSY | 1 | (F4) |
| 2 | 68D-E1111-00-94 | HEAD, CYLINDER 1 | 1 | (F4) |
| 3 | 67D-11133-10-00 | .GUIDE, VALVE 1 | 2 | (F4) |
| 4 | 97095-08014-00 | BOLT | 1 | (F4) |
| 5 | 90430-08800-00 | .GASKET | 1 | (F4) |
| 6 | 90105-08M81-00 | BOLT, FLANGE | 3 | (F4) |
| 7 | 90105-08M80-00 | BOLT, FLANGE | 1 | (F4) |
| 8 | 90105-06M25-00 | BOLT, FLANGE | 1 | (F4) |
| 9 | 99510-10114-00 | PIN, DOWEL | 2 | (F4) |
| 10 | 67D-11181-A0-00 | .GASKET, CYLINDER HEAD 1 | 1 | (F4) |
| 11 | 67D-11191-00-00 | COVER, CYLINDER HEAD 1 | 1 | (F4) |
| 12 | 67D-11193-A0-00 | GASKET, HEAD COVER 1 | 1 | (F4) |
| 13 | 90105-06M14-00 | BOLT FLANGE | 4 | (F4) |
| 14 | 66M-12411-00-00 | THERMOSTAT | 1 | (F4) |
| 15 | 68D-E2413-00-9M | COVER, THERMOSTAT | 1 | (F4) |
| 16 | 650-24378-00-00 | .PIPE, JOINT 4 | 1 | (F4) |
| 17 | 68D-E1325-00-00 | ANODE | 1 | (F4) |
| 18 | 97880-05025-00 | SCREW, PAN HEAD | 1 | (F4) |
| 19 | 67D-12414-A0-00 | GASKET, COVER | 1 | (F4) |
| 20 | 97095-06020-00 | BOLT | 3 | (F4) |
| 21 | 92995-06600-00 | WASHER | 3 | (F4) |
| 22 | 90445-09807-00 | HOSE (L180) | 1 | (F4) |
| 23 | NGK-B6HS-00-00 | PLUG, SPARK | 1 | (F4) |

F4MSHZ 2001 / CRANKSHAFT PISTON



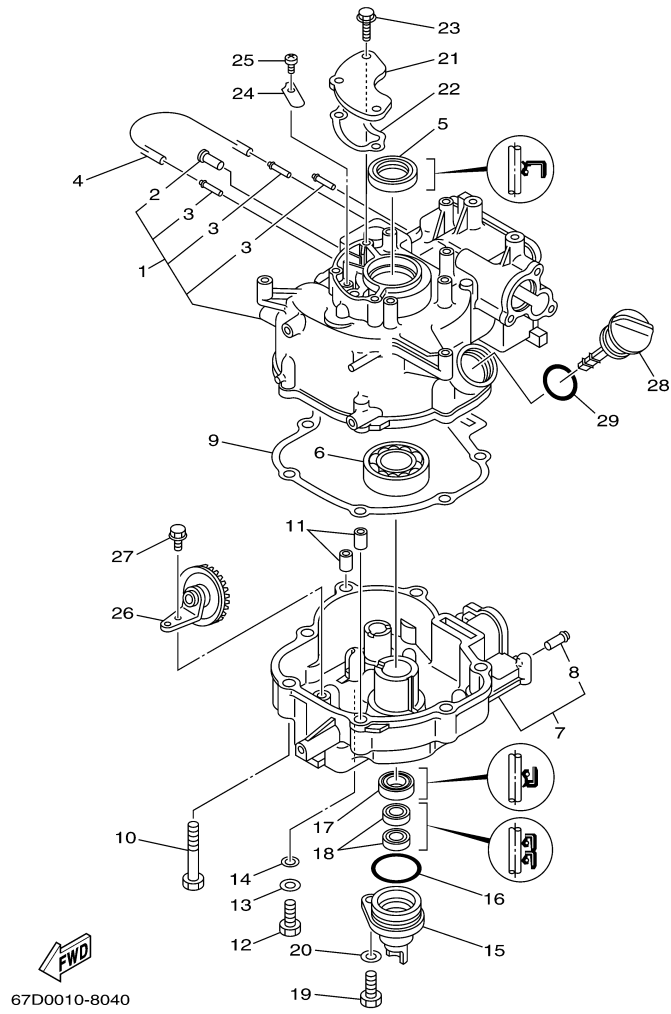
67D0010-8030

Part List

F4MSHZ 2001 / CRANKSHAFT PISTON

| REF - NO | PART NUMBER | PART NAME | QUANTITY | REMARKS |
|----------------|-----------------|---------------------------------|----------|---------|
| 1 | 67D-11400-00-00 | CRANKSHAFT ASSY | 1 | (F4) |
| 2 | 90201-266P2-00 | WASHER, PLATE | 1 | (F4) |
| 3 | 67D-11650-00-00 | CONNECTING ROD ASSY | 1 | (F4) |
| 4 | 67D-11654-00-00 | .BOLT, CONNECTING ROD | 2 | (F4) |
| 5 | 67D-11631-00-96 | PISTON (STD) | 1 | (F4) |
| 5 | 67D-11635-00-00 | PISTON (0.25MM O/S) | 1 | AP (F4) |
| 5 | 67D-11636-00-00 | PISTON (0.50MM O/S) | 1 | AP (F4) |
| 6 | 67D-11603-00-00 | PISTON RING SET (STD) | 1 | (F4) |
| 6 | 67D-11604-00-00 | PISTON RING SET (0.25MM O/S) | 1 | AP (F4) |
| 6 | 67D-11605-00-00 | PISTON RING SET (0.50MM O/S) | 1 | AP (F4) |
| 7 | 67D-11633-00-00 | PIN, PISTON | 1 | (F4) |
| 8 | 93450-14088-00 | CIRCLIP | 2 | (F4) |

F4MSHZ 2001 / CYLINDER CRANKCASE 2



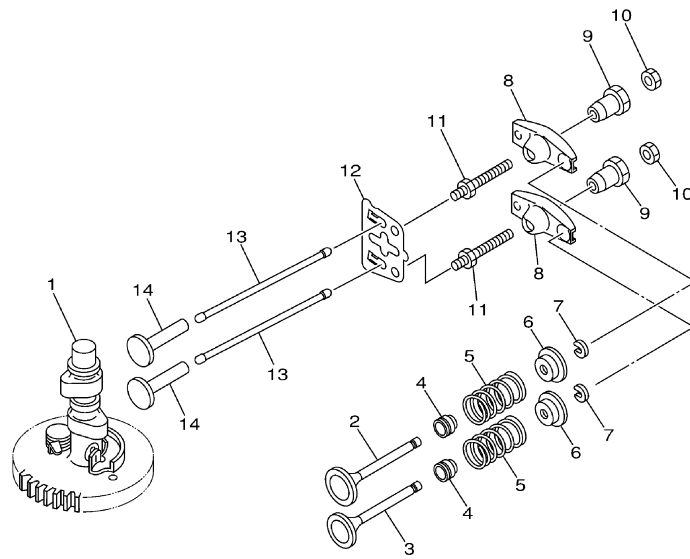
©2014 Yamaha Motor Corporation, U.S.A. All rights reserved.

Part List

F4MSHZ 2001 / CYLINDER CRANKCASE 2

| REF - NO | PART NUMBER | PART NAME | QUANTITY | REMARKS |
|----------------|-----------------|------------------------|----------|---------|
| 1 | 67D-E1311-00-94 | CYLINDER 1 | 1 | (F4) |
| 2 | 650-24378-00-00 | .PIPE, JOINT 4 | 1 | (F4) |
| 3 | 6H1-14485-00-00 | .PIPE, JOINT | 3 | (F4) |
| 4 | 90445-07806-00 | HOSE (L167) | 1 | (F4) |
| 5 | 93102-25090-00 | .OIL SEAL | 1 | (F4) |
| 6 | 93306-205YD-00 | BEARING | 1 | (F4) |
| 7 | 68D-E5111-00-94 | CRANKCASE 1 | 1 | (F4) |
| 8 | 650-24378-00-00 | .PIPE, JOINT 4 | 1 | (F4) |
| 9 | 67D-11351-A0-00 | GASKET, CYLINDER | 1 | (F4) |
| 10 | 97575-08550-00 | BOLT, WITH WASHER | 7 | (F4) |
| 11 | 99510-10114-00 | PIN, DOWEL | 2 | (F4) |
| 12 | 97095-08020-00 | BOLT | 1 | (F4) |
| 13 | 92995-08600-00 | WASHER | 1 | (F4) |
| 14 | 90430-08209-00 | GASKET | 1 | (F4) |
| 15 | 68D-E5396-00-5B | HOUSING, OIL SEAL | 1 | (F4) |
| 16 | 93210-35537-00 | O-RING | 1 | (F4) |
| 17 | 93102-20108-00 | OIL SEAL | 1 | (F4) |
| 18 | 93101-10M25-00 | OIL SEAL | 2 | (F4) |
| 19 | 97095-08020-00 | BOLT | 1 | (F4) |
| 20 | 92995-08600-00 | WASHER | 1 | (F4) |
| 21 | 68D-E1168-00-00 | COVER, BREATHER | 1 | (F4) |
| 22 | 67D-11169-A0-00 | GASKET, BREATHER COVER | 1 | (F4) |
| 23 | 90119-06M80-00 | BOLT, WITH WASHER | 3 | (F4) |
| 24 | 68D-E5346-00-00 | BREATHER 1 | 1 | (F4) |
| 25 | 98503-04006-00 | SCREW, PAN HEAD | 1 | (F4) |
| 26 | 68D-E3102-00-00 | GEAR UNIT ASSY | 1 | (F4) |
| 27 | 95817-06012-00 | BOLT, FLANGE | 1 | (F4) |
| 28 | 68D-E5362-00-00 | PLUG, OIL LEVEL | 1 | (F4) |
| 29 | 93210-24M79-00 | .O-RING | 1 | (F4) |

F4MSHZ 2001 / VALVE



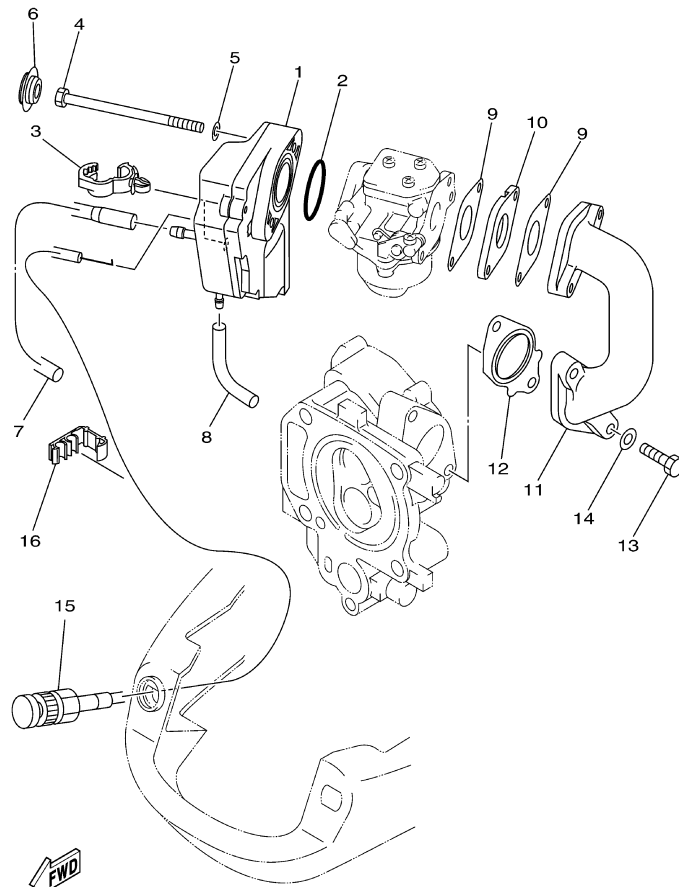
68D0010-1050

Part List

F4MSHZ 2001 / VALVE

| REF - NO | PART NUMBER | PART NAME | QUANTITY | REMARKS |
|----------------|-----------------|--------------------------------|----------|---------|
| 1 | 68D-E2170-00-00 | CAMSHAFT ASSY 1 | 1 | (F4) |
| 2 | 67D-12111-00-00 | VALVE, INTAKE | 1 | (F4) |
| 3 | 67D-12121-00-00 | VALVE, EXHAUST | 1 | (F4) |
| 4 | 51Y-12119-00-00 | SEAL, VALVE STEM | 2 | (F4) |
| 5 | 68D-E2113-00-00 | SPRING, VALVE INNER | 2 | (F4) |
| 6 | 7NJ-12117-00-00 | RETAINER, VALVE SPRING | 2 | (F4) |
| 7 | 7NJ-12118-00-00 | LOCK, VALVE SPRING RETAINER | 2 | (F4) |
| 8 | 67D-12151-00-00 | ARM, VALVE ROCKER | 2 | (F4) |
| 9 | 7FK-12165-00-00 | PIVOT, ROCKER ARM | 2 | (F4) |
| 10 | 7FK-12158-00-00 | NUT, LOCK | 2 | (F4) |
| 11 | 67D-12157-00-00 | BOLT | 2 | (F4) |
| 12 | 68D-E2155-00-00 | GUIDE, PUSH ROD | 1 | (F4) |
| 13 | 67D-12154-00-00 | ROD, VALVE PUSH | 2 | (F4) |
| 14 | JA9-12153-00-00 | LIFTER, VALVE | 2 | (F4) |

F4MSHZ 2001 / INTAKE



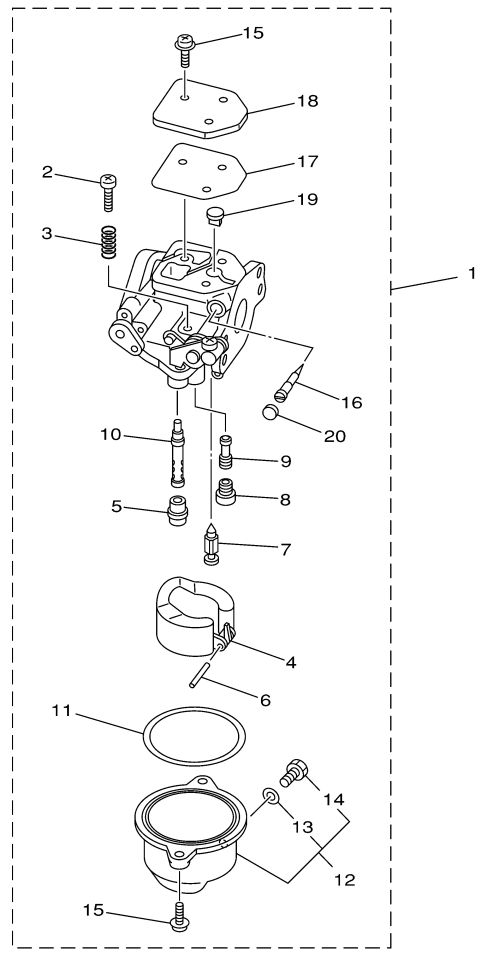
67D0010-8060

Part List

F4MSHZ 2001 / INTAKE

| REF - NO | PART NUMBER | PART NAME | QUANTITY | REMARKS |
|----------------|-----------------|-----------------------|----------|---------|
| 1 | 68D-E4440-00-00 | SILENCER ASSY, INTAKE | 1 | (F4) |
| 2 | 93210-31MJ5-00 | .O-RING | 1 | (F4) |
| 3 | 90464-13249-00 | CLAMP | 1 | (F4) |
| 4 | 97095-06090-00 | BOLT | 2 | (F4) |
| 5 | 92995-06600-00 | WASHER | 2 | (F4) |
| 6 | 90480-18M74-00 | GROMMET | 2 | (F4) |
| 7 | 68D-F4314-00-00 | PIPE 4 | 1 | (F4) |
| 8 | 90445-07805-00 | HOSE (L70) | 1 | (F4) |
| 9 | 67D-13646-A0-00 | GASKET, MANIFOLD 2 | 2 | (F4) |
| 10 | 68D-E3647-00-00 | GASKET, MANIFOLD 3 | 1 | (F4) |
| 11 | 68D-E3641-00-94 | MANIFOLD 1 | 1 | (F4) |
| 12 | 67D-13645-A0-00 | GASKET, MANIFOLD 1 | 1 | (F4) |
| 13 | 97095-06025-00 | BOLT | 2 | (F4) |
| 14 | 92995-06600-00 | WASHER | 2 | (F4) |
| 15 | 68D-F6330-00-00 | STARTER CABLE ASSY | 1 | (F4) |
| 16 | 90464-05122-00 | CLAMP | 1 | (F4) |

F4MSHZ 2001 / CARBURETOR



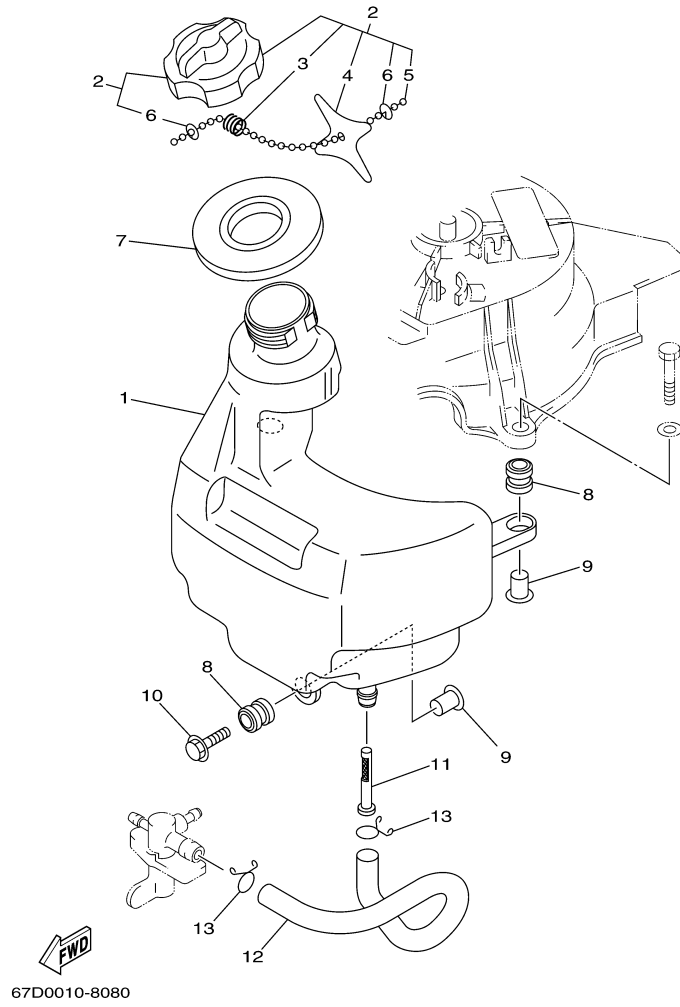
67D0100-8070

Part List

F4MSHZ 2001 / CARBURETOR

| REF - NO | PART NUMBER | PART NAME | QUANTITY | REMARKS |
|----------------|-----------------|------------------------|----------|---------|
| 1 | 67D-14301-11-00 | CARBURETOR ASSY 1 | 1 | (F4) |
| 2 | 6E5-14321-00-00 | .SCREW, THROTTLE | 1 | (F4) |
| 3 | 6J8-14334-00-00 | .SPRING, THROTTLE | 1 | (F4) |
| 4 | 68T-14385-00-00 | .FLOAT | 1 | (F4) |
| 5 | 67D-14966-00-00 | .RUBBER CAP | 1 | (F4) |
| 6 | 67D-14386-00-00 | .PIN, FLOAT | 1 | (F4) |
| 7 | 67D-14546-00-00 | .VALVE, NEEDLE | 1 | (F4) |
| 8 | 67D-1492E-34-00 | .JET, MAIN (#68) | 1 | (F4) |
| 9 | 67D-1492F-18-00 | .JET, AIR SLOW (#36) | 1 | (F4) |
| 10 | 67D-1492A-00-00 | .NOZZLE, MAIN | 1 | (F4) |
| 11 | 67D-14984-00-00 | .GASKET, FLOAT CHAMBER | 1 | (F4) |
| 12 | 67D-14981-00-00 | .BODY, FLOAT CHAMBER | 1 | (F4) |
| 13 | 6J8-14959-00-00 | .GASKET | 1 | (F4) |
| 14 | 66T-14991-00-00 | .PLUG, DRAIN | 1 | (F4) |
| 15 | 97980-04112-00 | .SCREW, WITH WASHER | 5 | (F4) |
| 16 | 67D-14323-00-00 | .SCREW, AIR ADJUSTING | 1 | (F4) |
| 17 | 67D-14536-00-00 | .GASKET | 1 | (F4) |
| 18 | 67D-14527-00-00 | .PLATE | 1 | (F4) |
| 19 | 67D-14126-00-00 | .PLUG | 1 | (F4) |
| 20 | 67D-1432A-00-00 | .PLUG | 1 | (F4) |

F4MSHZ 2001 / FUEL



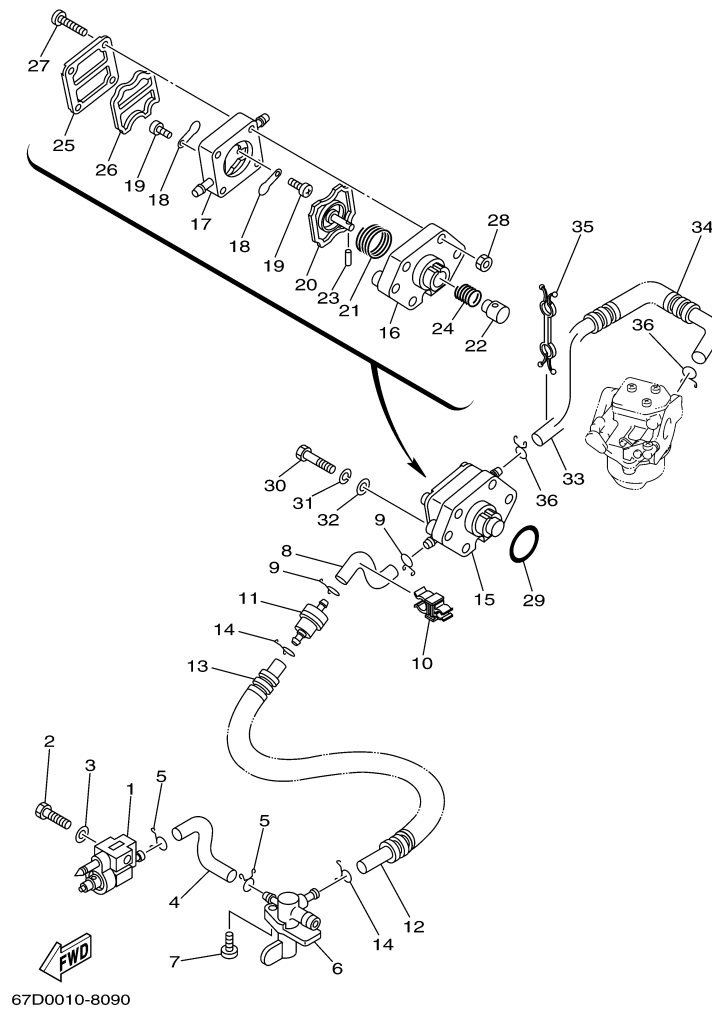
©2014 Yamaha Motor Corporation, U.S.A. All rights reserved.

Part List

F4MSHZ 2001 / FUEL

| REF - NO | PART NUMBER | PART NAME | QUANTITY | REMARKS |
|----------------|-----------------|-----------------------|----------|---------|
| 1 | 68D-F4111-00-00 | TANK, FUEL | 1 | (F4) |
| 2 | 67D-24610-00-00 | CAP ASSY | 1 | (F4) |
| 3 | 90501-10260-00 | .SPRING, COMPRESSION | 1 | (F4) |
| 4 | 6J8-21758-00-00 | .WASHER, SPECIAL 2 | 1 | (F4) |
| 5 | 6H1-24633-00-00 | .CHAIN, BALL | 1 | (F4) |
| 6 | 6H1-21757-00-00 | .WASHER, SPECIAL 1 | 2 | (F4) |
| 7 | 6L5-24641-00-00 | GASKET, CAP 1 | 1 | (F4) |
| 8 | 6A0-82317-00-00 | DAMPER, IGNITION COIL | 3 | (F4) |
| 9 | 624-42542-00-00 | PIPE | 3 | (F4) |
| 10 | 90119-06M88-00 | BOLT, WITH WASHER | 1 | (F4) |
| 11 | 6L5-24251-00-00 | STRAINER 1 | 1 | (F4) |
| 12 | 68D-F4311-00-00 | PIPE, FUEL 1 | 1 | (F4) |
| 13 | 90467-13M13-00 | CLIP | 2 | (F4) |

F4MSHZ 2001 / FUEL 2



©2014 Yamaha Motor Corporation, U.S.A. All rights reserved.


Part List

F4MSHZ 2001 / FUEL 2

| REF - NO | PART NUMBER | PART NAME | QUANTITY | REMARKS |
|----------------|-----------------|-------------------------|----------|---------|
| 1 | 6G1-24304-02-00 | FUEL PIPE JOINT COMP. 1 | 1 | (F4) |
| 2 | 97095-06025-00 | BOLT | 1 | (F4) |
| 3 | 92995-06600-00 | WASHER | 1 | (F4) |
| 4 | 68D-F4312-00-00 | PIPE 2 | 1 | (F4) |
| 5 | 90467-09M09-00 | CLIP | 2 | (F4) |
| 6 | 68D-F4500-00-00 | FUEL COCK ASSY 1 | 1 | (F4) |
| 7 | 90159-06M10-00 | SCREW, WITH WASHER | 1 | (F4) |
| 8 | 68D-F4313-00-00 | PIPE 3 | 1 | (F4) |
| 9 | 90467-09M09-00 | CLIP | 2 | (F4) |
| 10 | 90464-10M52-00 | CLAMP | 1 | (F4) |
| 11 | 646-24251-02-00 | .STRAINER 1 | 1 | (F4) |
| 12 | 90445-10804-00 | HOSE (L140) | 1 | (F4) |
| 13 | 90446-14M12-00 | HOSE | 1 | (F4) |
| 14 | 90467-09M09-00 | CLIP | 2 | (F4) |
| 15 | 67D-24410-02-00 | FUEL PUMP ASSY | 1 | (F4) |
| 16 | 67D-24412-00-00 | .BODY 1 | 1 | (F4) |
| 17 | 67D-24413-02-00 | .BODY 2 | 1 | (F4) |
| 18 | 6A0-24421-01-00 | .VALVE, CHECK | 2 | (F4) |
| 19 | 6E7-14325-00-00 | .SCREW, PAN HEAD | 2 | (F4) |
| 20 | 67D-24411-00-00 | .DIAPHRAGM | 1 | (F4) |
| 21 | 67D-24423-00-00 | .SPRING, DIAPHRAGM | 1 | (F4) |
| 22 | 67D-13131-00-00 | .PLUNGER | 1 | (F4) |
| 23 | 66M-24374-00-00 | .PIN | 1 | (F4) |
| 24 | 67D-24454-00-00 | .SPRING | 1 | (F4) |
| 25 | 67D-24414-01-00 | .BODY 3 | 1 | (F4) |
| 26 | 66M-24471-00-00 | .DIAPHRAGM | 1 | (F4) |
| 27 | 67D-24444-00-00 | .SCREW | 4 | (F4) |
| 28 | 95380-04600-00 | .NUT | 4 | (F4) |
| 29 | 93210-27ME3-00 | O-RING | 1 | (F4) |
| 30 | 97095-06030-00 | BOLT | 2 | (F4) |
| 31 | 92995-06100-00 | WASHER, SPRING | 2 | (F4) |
| 32 | 92995-06600-00 | WASHER | 2 | (F4) |
| 33 | 90445-10805-00 | HOSE (L250) | 1 | (F4) |
| 34 | 90446-14M12-00 | HOSE | 1 | (F4) |
| 35 | 90464-10M53-00 | CLAMP | 1 | (F4) |
| 36 | 90467-09M09-00 | CLIP | 2 | (F4) |

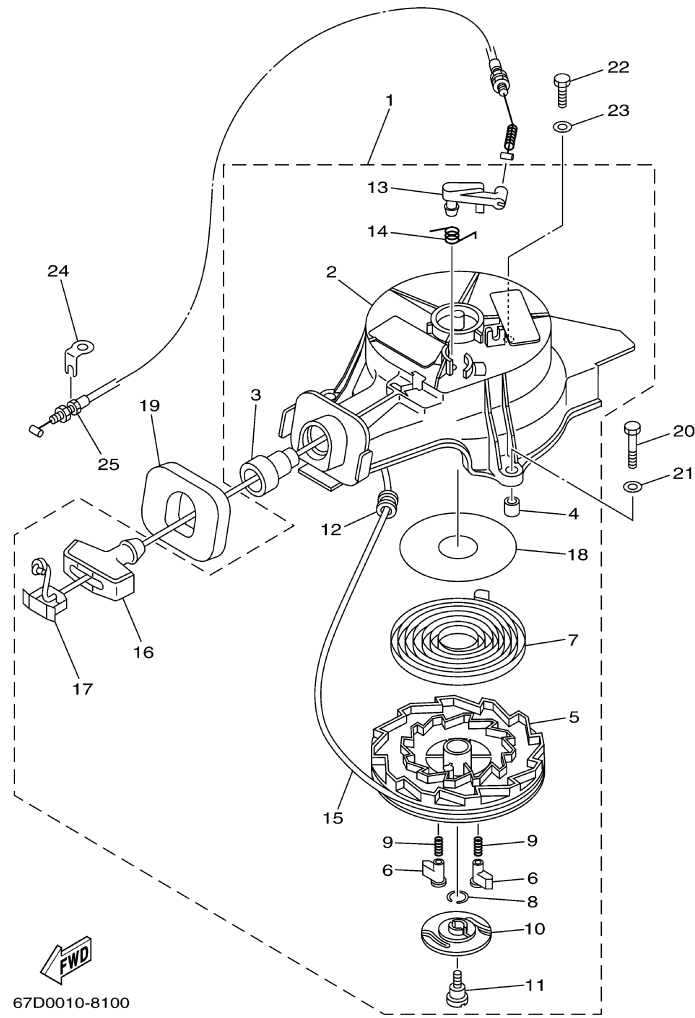
Part Notes

F4MSHZ 2001 / FUEL 2

| PART NUMBER | NOTE TEXT |
|-----------------------------------------------------------------------------------------------------|----------------------------------------------------------------------------------------------------|
| 646-24251-02-00  | OEM: This part number is among the Top 100 Most Popular Marine Maintenance Parts as of March 2014. |

©2014 Yamaha Motor Corporation, U.S.A. All rights reserved.

F4MSHZ 2001 / STARTER



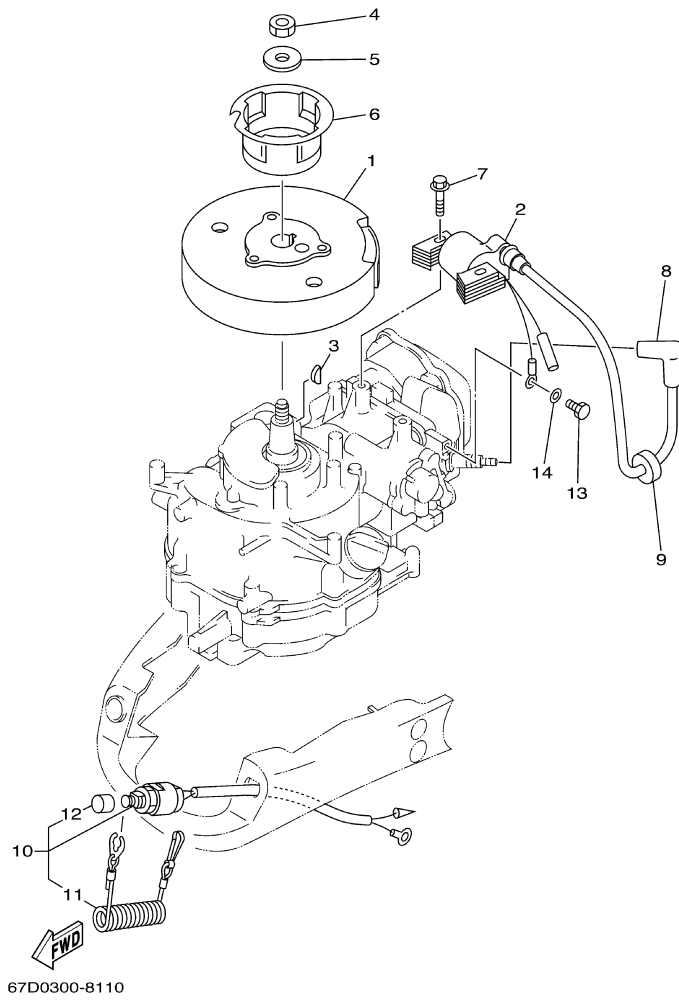
©2014 Yamaha Motor Corporation, U.S.A. All rights reserved.

Part List

F4MSHZ 2001 / STARTER

| REF - NO | PART NUMBER | PART NAME | QUANTITY | REMARKS |
|----------------|-----------------|------------------------------|----------|---------|
| 1 | 67D-15710-00-00 | STARTER ASSY | 1 | (F4) |
| 2 | 67D-15711-00-00 | .CASE, STARTER | 1 | (F4) |
| 3 | 63V-15795-01-00 | .GUIDE, ROPE | 1 | (F4) |
| 4 | 67D-15764-00-00 | .COLLAR 1 | 3 | (F4) |
| 5 | 67D-15714-00-00 | .DRUM, SHEAVE | 1 | (F4) |
| 6 | 67D-15741-00-00 | .PAWL, DRIVE | 2 | (F4) |
| 7 | 67D-15713-00-00 | .SPRING, STARTER | 1 | (F4) |
| 8 | 67D-15705-00-00 | .SPRING, DRIVE PAWL | 1 | (F4) |
| 9 | 67D-15767-00-00 | .SPRING | 2 | (F4) |
| 10 | 67D-15735-00-00 | .GUIDE, CAM | 1 | (F4) |
| 11 | 67D-15793-00-00 | .SCREW | 1 | (F4) |
| 12 | 63V-15764-00-00 | .COLLAR 1 | 1 | (F4) |
| 13 | 67D-15794-00-00 | .STOPPER | 1 | (F4) |
| 14 | 67D-15734-00-00 | .SPRING, RETURN | 1 | (F4) |
| 15 | 90580-50M01-00 | .ROPE, STARTER | 1 | (F4) |
| 16 | 6G1-15755-00-00 | .HANDLE, STARTER | 1 | (F4) |
| 17 | 6G1-15779-00-00 | .COVER | 1 | (F4) |
| 18 | 67D-15739-00-00 | .WASHER, THRUST | 1 | (F4) |
| 19 | 67D-15762-00-00 | SEAL, RUBBER 2 | 1 | (F4) |
| 20 | 97095-06035-00 | BOLT | 2 | (F4) |
| 21 | 92995-06600-00 | WASHER | 2 | (F4) |
| 22 | 97095-06020-00 | BOLT | 1 | (F4) |
| 23 | 92995-06600-00 | WASHER | 1 | (F4) |
| 24 | 67D-15772-00-00 | STAY 2 | 1 | (F4) |
| 25 | 67D-15770-00-00 | CABLE COMP., STARTER STOP | 1 | (F4) |

F4MSHZ 2001 / GENERATOR



©2014 Yamaha Motor Corporation, U.S.A. All rights reserved.


Part List

F4MSHZ 2001 / GENERATOR

| REF - NO | PART NUMBER | PART NAME | QUANTITY | REMARKS |
|----------------|-----------------|-------------------------|----------|---------|
| 1 | 67D-85650-00-00 | ROTOR ASSY | 1 | (F4) |
| 2 | 67D-85640-00-00 | T.C.I. UNIT ASSY | 1 | (F4) |
| 3 | 90280-04M06-00 | KEY, WOODRUFF | 1 | (F4) |
| 4 | 90170-10M33-00 | NUT | 1 | (F4) |
| 5 | 90201-105A2-00 | WASHER, PLATE | 1 | (F4) |
| 6 | 67D-15723-00-00 | PULLEY, STARTER | 1 | (F4) |
| 7 | 90105-06M24-00 | BOLT, FLANGE | 2 | (F4) |
| 8 | 6E3-82370-21-00 | PLUG CAP ASSY | 1 | (F4) |
| 9 | 90480-25161-00 | GROMMET | 1 | (F4) |
| 10 | 67D-82575-00-00 | ENGINE STOP SWITCH ASSY | 1 | (F4) |
| 11 | 682-82556-00-00 | .LANYARD, STOP SWITCH | 1 | (F4) |
| 12 | 689-8257Y-00-00 | .CAP | 1 | (F4) |
| 13 | 97095-06012-00 | BOLT | 1 | (F4) |
| 14 | 92995-06600-00 | WASHER | 1 | (F4) |

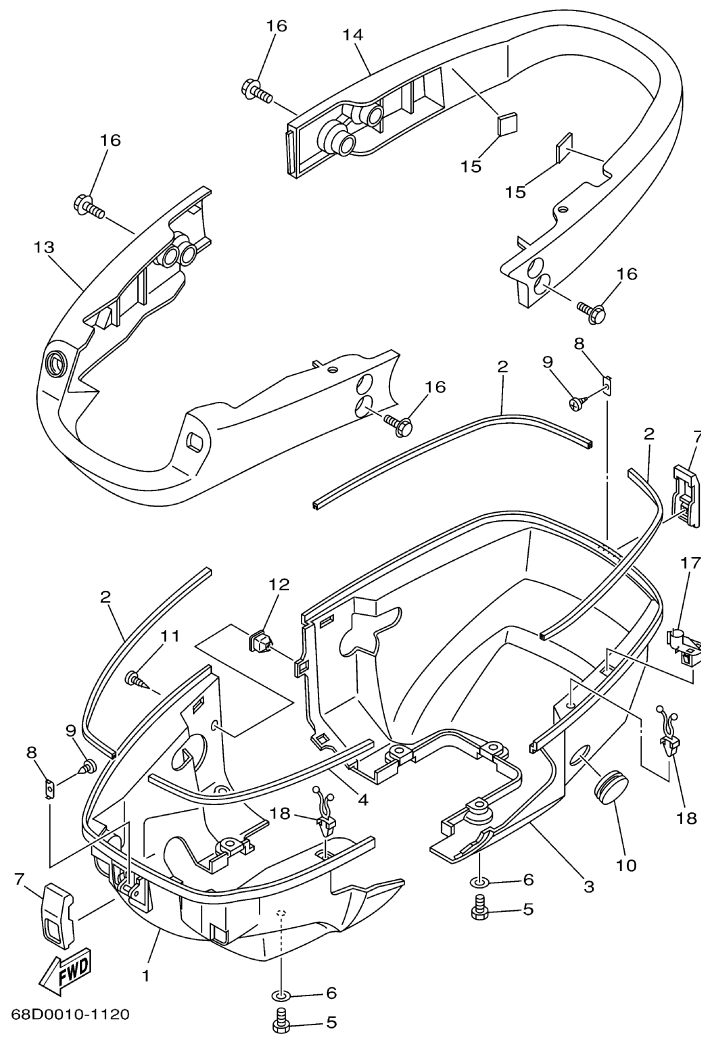
Part Notes

F4MSHZ 2001 / GENERATOR

| PART NUMBER | NOTE TEXT |
|---------------------------------------------------------------------------------------------------|----------------------------------------------------------------------------------------------------|
| 682-82556-00-00  | OEM: This part number is among the Top 100 Most Popular Marine Maintenance Parts as of March 2014. |

©2014 Yamaha Motor Corporation, U.S.A. All rights reserved.

F4MSHZ 2001 / BOTTOM COWLING



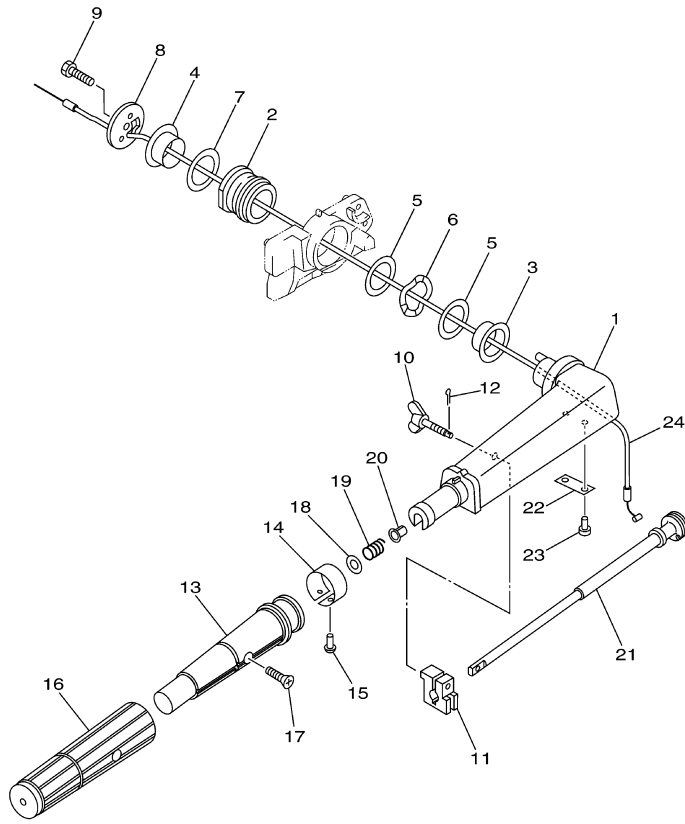
©2014 Yamaha Motor Corporation, U.S.A. All rights reserved.

Part List

F4MSHZ 2001 / BOTTOM COWLING

| REF - NO | PART NUMBER | PART NAME | QUANTITY | REMARKS |
|----------------|-----------------|--------------------|----------|---------|
| 1 | 68D-G2711-00-00 | COWLING, BOTTOM | 1 | (F4) |
| 2 | 68D-G2628-00-00 | SEAL | 3 | (F4) |
| 3 | 68D-G2712-00-00 | COWLING, BOTTOM | 1 | (F4) |
| 4 | 68D-G2629-00-00 | SEAL | 1 | (F4) |
| 5 | 97095-06016-00 | BOLT | 6 | (F4) |
| 6 | 92995-06600-00 | WASHER | 6 | (F4) |
| 7 | 6L5-42647-00-00 | HOLDER, CLAMP BAND | 2 | (F4) |
| 8 | 6L5-42823-00-00 | PLATE, STOP | 2 | (F4) |
| 9 | 90167-03M02-00 | SCREW, TAPPING | 2 | (F4) |
| 10 | 90480-22M72-00 | GROMMET | 1 | (F4) |
| 11 | 90161-05001-00 | SCREW, TAPPING | 3 | (F4) |
| 12 | 90480-10004-00 | GROMMET | 3 | (F4) |
| 13 | 68D-G2731-00-00 | CARRYING HANDLE | 1 | (F4) |
| 14 | 68D-G2735-00-00 | PROTECTOR | 1 | (F4) |
| 15 | 67D-42662-00-00 | DAMPER | 2 | (F4) |
| 16 | 90119-06M79-00 | BOLT, WITH WASHER | 8 | (F4) |
| 17 | 90464-07M50-00 | CLAMP | 1 | (F4) |
| 18 | 90464-07078-00 | CLAMP | 2 | (F4) |

F4MSHZ 2001 / STEERING



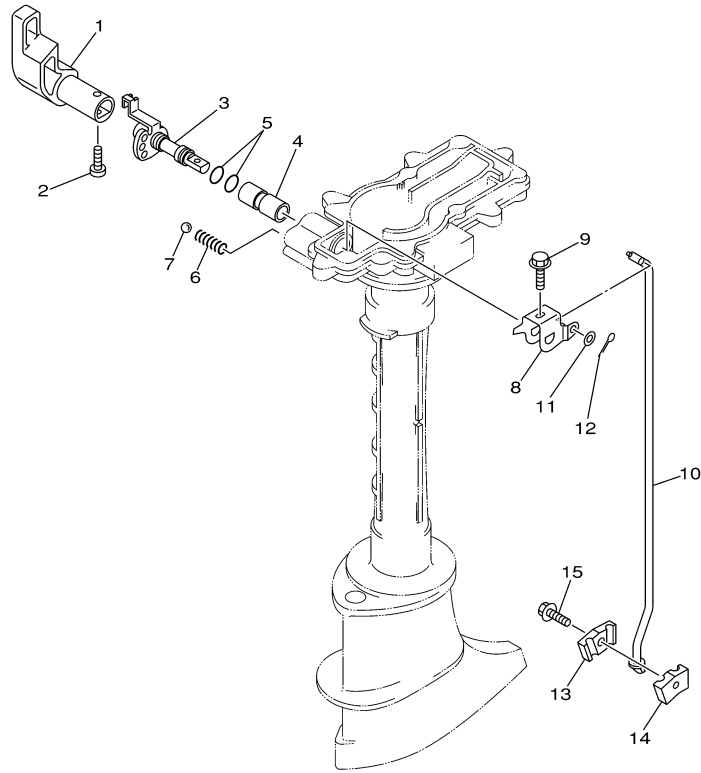
67D0010-8130

Part List

F4MSHZ 2001 / STEERING

| REF - NO | PART NUMBER | PART NAME | QUANTITY | REMARKS |
|----------------|-----------------|-----------------------------------|----------|---------|
| 1 | 68D-G2111-00-4D | HANDLE, STEERING | 1 | (F4) |
| 2 | 67D-42129-00-00 | BUSHING, RUBBER | 1 | (F4) |
| 3 | 68D-G2171-00-00 | BUSHING | 1 | (F4) |
| 4 | 68D-G2172-00-00 | BUSHING 2 | 1 | (F4) |
| 5 | 68D-G2181-00-00 | WASHER | 2 | (F4) |
| 6 | 67D-42188-00-00 | WASHER, WAVE | 1 | (F4) |
| 7 | 68D-G2182-00-00 | WASHER 2 | 1 | (F4) |
| 8 | 68D-G2131-00-00 | COVER, HANDLE STEERING | 1 | (F4) |
| 9 | 97075-08025-00 | BOLT | 1 | (F4) |
| 10 | 6N0-G2125-00-00 | BOLT, FRICTION ADJUSTING | 1 | (F4) |
| 11 | 6N0-G2126-00-00 | FRICTION, STEERING HANDLE GRIP | 1 | (F4) |
| 12 | 91490-16010-00 | PIN. COTTER | 1 | (F4) |
| 13 | 68D-G2119-00-00 | GRIP, STEERING HANDLE | 1 | (F4) |
| 14 | 68D-G2137-00-00 | INDICATOR, THROTTLE | 1 | (F4) |
| 15 | 90269-02M09-00 | RIVET | 1 | (F4) |
| 16 | 67D-42177-00-00 | RUBBER, HANDLE | 1 | (F4) |
| 17 | 90149-05M13-00 | SCREW | 1 | (F4) |
| 18 | 92903-10600-00 | WASHER, PLATE | 1 | (F4) |
| 19 | 90501-23215-00 | SPRING, COMPRESSION | 1 | (F4) |
| 20 | 90386-08032-00 | BUSH | 1 | (F4) |
| 21 | 6G1-42138-01-00 | LEVER, THROTTLE | 1 | (F4) |
| 22 | 68D-G2159-00-00 | STAY | 1 | (F4) |
| 23 | 97885-05012-00 | SCREW, PAN HEAD | 2 | (F4) |
| 24 | 68D-F6301-00-00 | THROTTLE CABLE ASSY | 1 | (F4) |

F4MSHZ 2001 / CONTROL



67D0010-0141

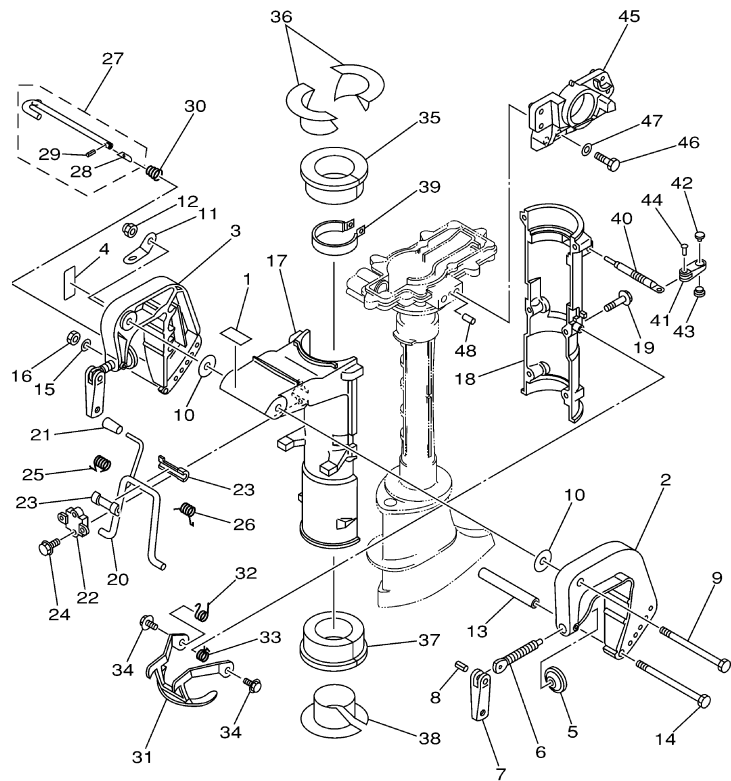
©2014 Yamaha Motor Corporation, U.S.A. All rights reserved.

Part List

F4MSHZ 2001 / CONTROL

| REF - NO | PART NUMBER | PART NAME | QUANTITY | REMARKS |
|----------------|-----------------|--------------------------|----------|---------|
| 1 | 68D-G4111-00-00 | HANDLE, GEAR SHIFT | 1 | (F4) |
| 2 | 98680-05520-00 | SCREW, OVAL HEAD | 1 | (F4) |
| 3 | 68D-G4119-00-00 | SHAFT, CHANGE | 1 | (F4) |
| 4 | 68D-G4122-00-00 | BUSHING, SHIFT ROD LEVER | 1 | (F4) |
| 5 | 93210-09350-00 | O-RING | 2 | (F4) |
| 6 | 90501-12274-00 | SPRING, COMPRESSION | 1 | (F4) |
| 7 | 93505-16024-00 | BALL | 1 | (F4) |
| 8 | 68D-G4121-00-00 | LEVER, SHIFT ROD | 1 | (F4) |
| 9 | 90119-05M04-00 | BOLT, WITH WASHER | 1 | (F4) |
| 10 | 67D-44143-00-00 | ROD, SHIFT | 1 | (F4) |
| 11 | 92990-05600-00 | WASHER, PLATE | 1 | (F4) |
| 12 | 91490-16010-00 | PIN. COTTER | 1 | (F4) |
| 13 | 68D-G4145-00-00 | CONNECTOR, SHIFT ROD | 1 | (F4) |
| 14 | 68D-G4146-00-00 | CONNECTOR, SHIFT ROD | 1 | (F4) |
| 15 | 90119-06ME0-00 | BOLT, WITH WASHER | 1 | (F4) |

F4MSHZ 2001 / BRACKET 1



68D0010-1150


Part List

F4MSHZ 2001 / BRACKET 1

| REF - NO | PART NUMBER | PART NAME | QUANTITY | REMARKS |
|----------|-----------------|-----------------------|----------|---------|
| 1 | 68D-F4591-00-00 | EMBLEM, FUEL COCK | 1 | (F4) |
| 2 | 6L8-G3111-01-4D | BRACKET, CLAMP 1 | 1 | (F4) |
| 3 | 6L8-G3112-00-4D | BRACKET, CLAMP 2 | 1 | (F4) |
| 4 | 6M0-G3318-00-00 | COVER | 1 | (F4) |
| 5 | 620-43114-00-00 | PAD, TRANSOM CLAMP | 2 | (F4) |
| 6 | 6E0-43116-01-00 | SCREW, TRANSOM CLAMP | 2 | (F4) |
| 7 | 6L8-G3118-01-00 | HANDLE, TRANSOM CLAMP | 2 | (F4) |
| 8 | 90243-04M01-00 | PIN | 2 | (F4) |
| 9 | 90101-08M07-00 | BOLT | 1 | (F4) |
| 10 | 90202-08M58-00 | WASHER, PLATE | 2 | (F4) |
| 11 | 68D-G3113-00-00 | PLATE, CLAMP BRACKET | 1 | (F4) |
| 12 | 90185-08057-00 | NUT, SELF-LOCKING | 1 | (F4) |
| 13 | 90387-06M11-00 | COLLAR | 1 | (F4) |
| 14 | 90101-06335-00 | BOLT | 1 | (F4) |
| 15 | 92990-06600-00 | WASHER, PLATE | 1 | (F4) |
| 16 | 95380-06600-00 | NUT, HEXAGON | 1 | (F4) |
| 17 | 68D-G3311-00-4D | BRACKET, SWIVEL 1 | 1 | (F4) |
| 18 | 68D-G3312-00-4D | BRACKET, SWIVEL 2 | 1 | (F4) |
| 19 | 95895-06035-00 | BOLT, FLANGE | 6 | (F4) |
| 20 | 6E0-43181-00-00 | LEVER, TILT STOP | 1 | (F4) |
| 21 | 6E0-43632-00-00 | KNOB, TILT | 1 | (F4) |
| 22 | 6E0-43313-00-4D | BRACKET, SWIVEL 3 | 1 | (F4) |
| 23 | 620-43189-00-00 | BUSHING | 2 | (F4) |
| 24 | 95895-06020-00 | BOLT, FLANGE | 2 | (F4) |
| 25 | 90508-16020-00 | SPRING, TORSION | 1 | (F4) |
| 26 | 90508-16021-00 | SPRING, TORSION | 1 | (F4) |
| 27 | 68D-G3160-00-00 | TILT ROD ASSY | 1 | (F4) |
| 28 | 6N0-G3165-00-00 | .PLATE, TILT LOCK | 1 | (F4) |
| 29 | 91690-30008-00 | .PIN, SPRING | 1 | (F4) |
| 30 | 90502-08M05-00 | SPRING, CONICAL | 1 | (F4) |
| 31 | 6E0-43614-00-5B | PLATE, TILT LOCK | 1 | (F4) |
| 32 | 90508-14M10-00 | SPRING, TORSION | 1 | (F4) |
| 33 | 90508-14M11-00 | SPRING, TORSION | 1 | (F4) |
| 34 | 95895-06010-00 | BOLT, FLANGE | 2 | (F4) |
| 35 | 68D-G2537-00-00 | BUSHING, PIVOT SHAFT | 1 | (F4) |
| 36 | 68D-G2539-00-00 | BUSHING, PIVOT SHAFT | 2 | (F4) |
| 37 | 68D-G2538-00-00 | BUSHING, PIVOT SHAFT | 1 | (F4) |
| 38 | 68D-G2549-00-00 | BUSHING, PIVOT SHAFT | 1 | (F4) |
| 39 | 6E0-42528-03-00 | PLATE, FRICTION | 1 | (F4) |
| 40 | 6L5-42529-01-00 | SCREW, FRICTION PIECE | 1 | (F4) |
| 41 | 68D-G2561-00-00 | KNOB, STEERING LOCK | 1 | (F4) |
| 42 | 6L5-44196-00-00 | INDICATOR 3 | 1 | (F4) |
| 43 | 6L5-44197-00-00 | INDICATOR 4 | 1 | (F4) |
| 44 | 90266-04M05-00 | RIVET | 1 | (F4) |
| 45 | 68D-G2511-00-4D | BRACKET, STEERING | 1 | (F4) |
| 46 | 97075-08030-00 | BOLT | 2 | (F4) |
| 47 | 92995-08600-00 | WASHER | 2 | (F4) |
| 48 | 93604-12M07-00 | PIN, DOWEL | 1 | (F4) |

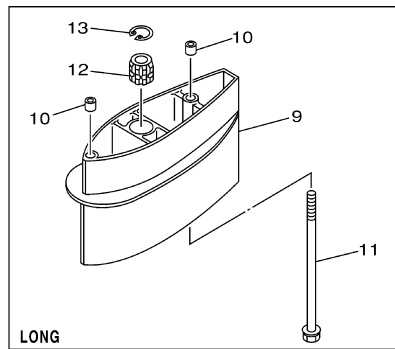
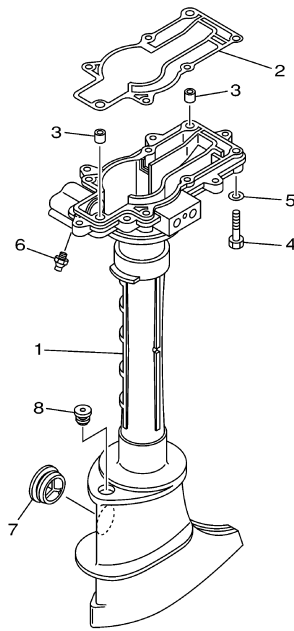
Part Notes

F4MSHZ 2001 / BRACKET 1

| PART NUMBER | NOTE TEXT |
|----------------------------------------------------------------------------------------------------|----------------------------------------------------------------------------------------------------|
| 92990-06600-00  | OEM: This part number is among the Top 100 Most Popular Marine Maintenance Parts as of March 2014. |

©2014 Yamaha Motor Corporation, U.S.A. All rights reserved.

F4MSHZ 2001 / UPPER CASING



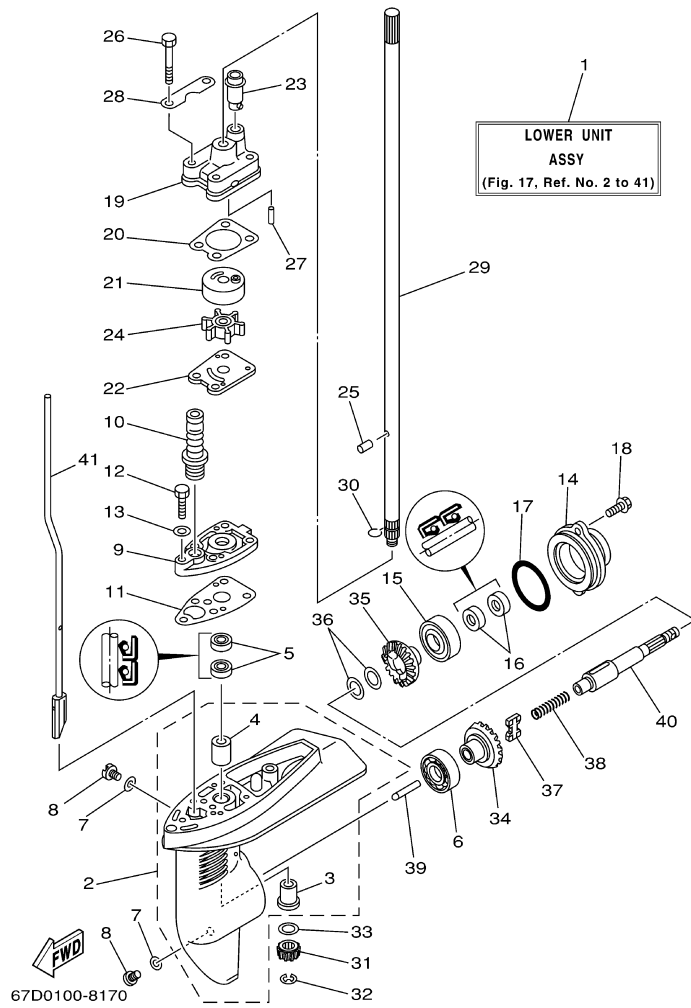

67D0100-8160

Part List

F4MSHZ 2001 / UPPER CASING

| REF - NO | PART NUMBER | PART NAME | QUANTITY | REMARKS |
|----------------|-----------------|-----------------------|----------|---------|
| 1 | 68D-G5111-00-4D | CASING, UPPER | 1 | (F4) |
| 2 | 67D-45113-A0-00 | .GASKET, UPPER CASING | 1 | (F4) |
| 3 | 90387-06806-00 | COLLAR | 2 | (F4) |
| 4 | 97095-06035-00 | BOLT | 7 | (F4) |
| 5 | 92995-06600-00 | WASHER | 7 | (F4) |
| 6 | 93700-06M03-00 | NIPPLE, GREASE | 1 | (F4) |
| 7 | 647-45151-01-00 | COVER, UPPER CASING | 1 | (F4) |
| 8 | 90480-10M13-00 | GROMMET | 1 | (F4) |
| 9 | 68D-G5211-00-4D | EXTENSION | 1 | L (F4) |
| 10 | 90387-06806-00 | COLLAR | 2 | L (F4) |
| 11 | 90119-06M77-00 | BOLT, WITH WASHER | 2 | L (F4) |
| 12 | 6E0-45318-01-00 | BUSHING, DRIVE SHAFT | 1 | L (F4) |
| 13 | 93420-22M03-00 | CIRCLIP | 1 | L (F4) |

F4MSHZ 2001 / LOWER CASING DRIVE 1



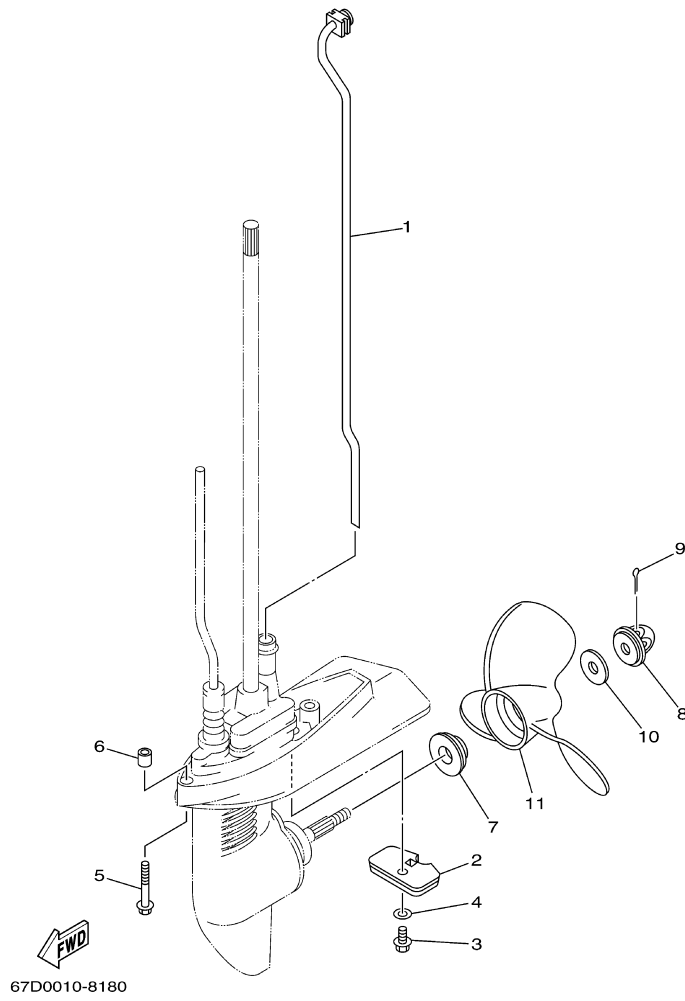
©2014 Yamaha Motor Corporation, U.S.A. All rights reserved.

Part List

F4MSHZ 2001 / LOWER CASING DRIVE 1

| REF - NO | PART NUMBER | PART NAME | QUANTITY | REMARKS |
|----------|-----------------|------------------------|----------|---------|
| 1 | 68D-G5300-10-4D | LOWER UNIT ASSY | 1 | L (F4) |
| 1 | 68D-G5300-00-4D | LOWER UNIT ASSY | 1 | S (F4) |
| 2 | 68D-G5311-00-4D | CASING, LOWER | 1 | (F4) |
| 3 | 6E0-45317-09-00 | .BUSHING, DRIVE SHAFT | 1 | (F4) |
| 4 | 6E0-45316-09-00 | .BUSHING, DRIVE SHAFT | 1 | (F4) |
| 5 | 93101-10M14-00 | .OIL SEAL | 2 | (F4) |
| 6 | 93306-004YH-00 | BEARING | 1 | (F4) |
| 7 | 90430-08801-00 | .GASKET | 3 | (F4) |
| 8 | 90340-08M04-00 | PLUG, STRAIGHT SCREW | 3 | (F4) |
| 9 | 68D-G5321-00-00 | PLATE | 1 | (F4) |
| 10 | 6L2-44147-00-00 | BOOT, SHIFT ROD | 1 | (F4) |
| 11 | 6E0-45315-A0-00 | .PACKING, LOWER CASING | 1 | (F4) |
| 12 | 97095-06025-00 | BOLT | 1 | (F4) |
| 13 | 92995-06600-00 | WASHER | 1 | (F4) |
| 14 | 68D-G5361-00-4D | CAP, LOWER CASING | 1 | (F4) |
| 15 | 93306-004YH-00 | BEARING | 1 | (F4) |
| 16 | 93101-13M12-00 | .OIL SEAL | 2 | (F4) |
| 17 | 93210-48214-00 | .O-RING | 1 | (F4) |
| 18 | 95895-06016-00 | BOLT, FLANGE | 2 | (F4) |
| 19 | 6E0-44311-00-00 | HOUSING, WATER PUMP | 1 | (F4) |
| 20 | 6E0-44315-A0-00 | .GASKET, WATER PUMP | 1 | (F4) |
| 21 | 6E0-44322-02-00 | INSERT, CARTRIDGE | 1 | (F4) |
| 22 | 6E0-44323-00-00 | OUTER PLATE, CARTRIDGE | 1 | (F4) |
| 23 | 67D-44366-00-00 | .DAMPER, WATER SEAL 2 | 1 | (F4) |
| 24 | 6E0-44352-00-00 | IMPELLER | 1 | (F4) |
| 25 | 93604-09066-00 | PIN, DOWEL | 1 | (F4) |
| 26 | 97095-06045-00 | .BOLT | 4 | (F4) |
| 27 | 93604-18080-00 | .PIN, DOWEL | 2 | (F4) |
| 28 | 68D-G4328-00-00 | PLATE | 2 | (F4) |
| 29 | 6E0-45511-01-00 | SHAFT, DRIVE | 1 | S (F4) |
| 29 | 6E0-45511-11-00 | SHAFT, DRIVE | 1 | L (F4) |
| 30 | 90467-08M01-00 | CLIP | 1 | (F4) |
| 31 | 6E0-45551-00-00 | PINION (13T) | 1 | (F4) |
| 32 | 93430-06005-00 | CIRCLIP | 1 | (F4) |
| 33 | 90201-11M49-00 | WASHER, PLATE | 1 | (F4) |
| 34 | 67D-45560-00-00 | GEAR 1 (27T) | 1 | (F4) |
| 35 | 67D-45570-00-00 | GEAR 2 (27T) | 1 | (F4) |
| 36 | 67D-45576-00-00 | WASHER, THRUST 2 | 2 | (F4) |
| 37 | 67D-45631-01-00 | CLUTCH, DOG | 1 | (F4) |
| 38 | 90501-10064-00 | SPRING, COMPRESSION | 1 | (F4) |
| 39 | 67D-45635-00-00 | PLUNGER, SHIFT | 1 | (F4) |
| 40 | 67D-45611-00-00 | SHAFT, PROPELLER | 1 | (F4) |
| 41 | 68D-G4150-10-00 | SHIFT CAM ASSY | 1 | L (F4) |
| 41 | 68D-G4150-00-00 | SHIFT CAM ASSY | 1 | S (F4) |

F4MSHZ 2001 / LOWER CASING DRIVE 2



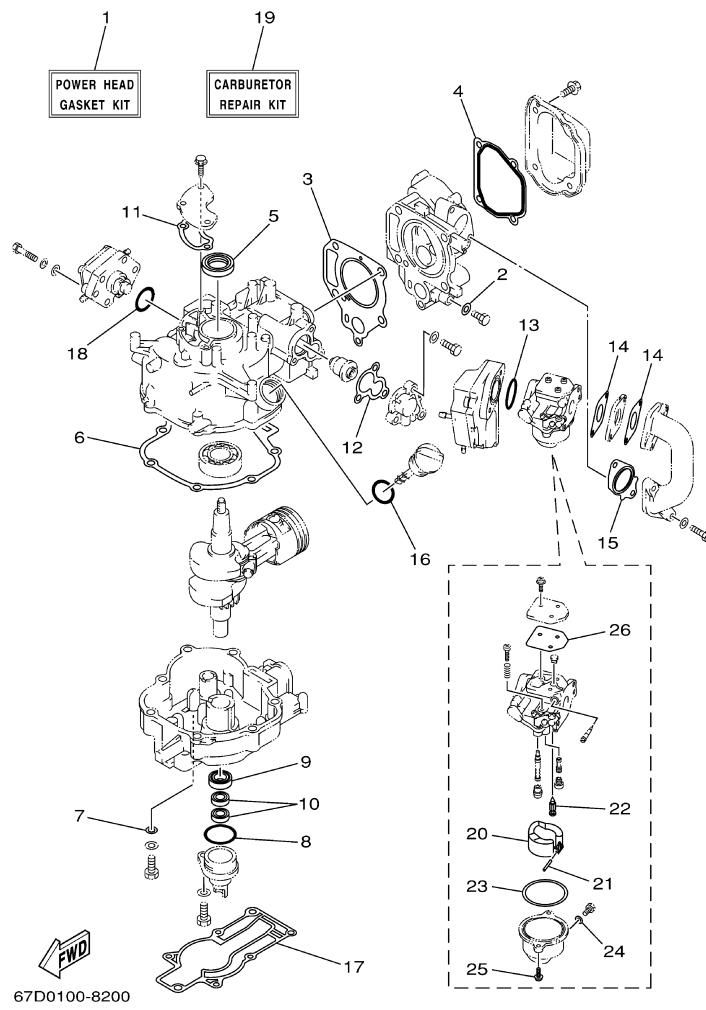
©2014 Yamaha Motor Corporation, U.S.A. All rights reserved.

Part List

F4MSHZ 2001 / LOWER CASING DRIVE 2

| REF - NO | PART NUMBER | PART NAME | QUANTITY | REMARKS |
|----------------|-----------------|------------------------------------|----------|---------|
| 1 | 68D-G4360-10-00 | WATER TUBE ASSY | 1 | L (F4) |
| 1 | 68D-G4360-00-00 | WATER TUBE ASSY | 1 | S (F4) |
| 2 | 68D-G5251-00-00 | ANODE | 1 | (F4) |
| 3 | 95895-06012-00 | BOLT, FLANGE | 1 | (F4) |
| 4 | 92990-06300-00 | WASHER, INTERNAL TOOTH | 1 | (F4) |
| 5 | 90119-06M40-00 | BOLT, WITH WASHER | 2 | S (F4) |
| 6 | 90387-06806-00 | COLLAR | 2 | (F4) |
| 7 | 68D-G5987-00-00 | SPACER 1 | 1 | (F4) |
| 8 | 6L5-45616-00-00 | NUT, PROPELLER | 1 | (F4) |
| 9 | 91490-25030-00 | PIN. COTTER | 1 | (F4) |
| 10 | 90201-08M54-00 | WASHER, PLATE | 1 | (F4) |
| 11 | 6E0-45943-01-EL | PROPELLER (3X7-1/2"X7"- BA) | 1 | UR (F4) |
| 11 | 6E0-45949-00-EL | PROPELLER (3X7-1/4"X6- 1/2"-BA) | 1 | UR (F4) |
| 11 | 6E0-45941-01-EL | PROPELLER (3X7-1/2"X8"- BA) | 1 | UR (F4) |

F4MSHZ 2001 / REPAIR KIT 1



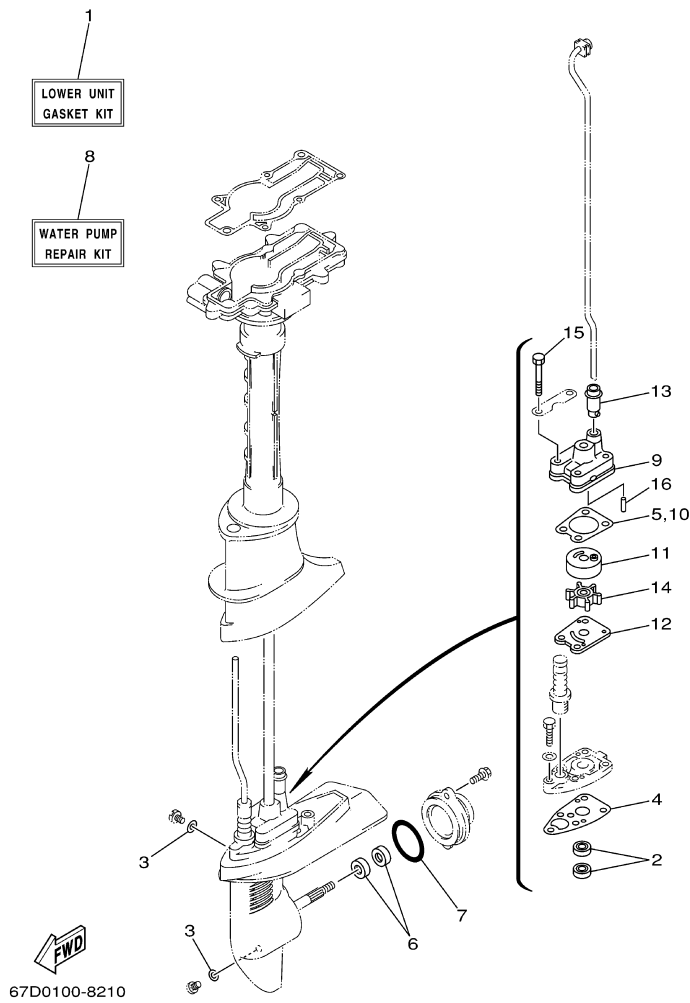
©2014 Yamaha Motor Corporation, U.S.A. All rights reserved.

Part List

F4MSHZ 2001 / REPAIR KIT 1

| REF - NO | PART NUMBER | PART NAME | QUANTITY | REMARKS |
|----------------|-----------------|--------------------------|----------|---------|
| 1 | 67D-W0001-00-00 | POWER HEAD GASKET KIT | 1 | (F4) |
| 2 | 90430-08143-00 | .GASKET | 1 | (F4) |
| 3 | 67D-11181-A0-00 | .GASKET, CYLINDER HEAD 1 | 1 | (F4) |
| 4 | 67D-11193-A0-00 | .GASKET, HEAD COVER 1 | 1 | (F4) |
| 5 | 93102-25090-00 | .OIL SEAL | 1 | (F4) |
| 6 | 67D-11351-A0-00 | .GASKET, CYLINDER | 1 | (F4) |
| 7 | 90430-08209-00 | .GASKET | 1 | (F4) |
| 8 | 93210-35537-00 | .O-RING | 1 | (F4) |
| 9 | 93102-20108-00 | .OIL SEAL | 1 | (F4) |
| 10 | 93101-10M25-00 | .OIL SEAL | 2 | (F4) |
| 11 | 67D-11169-A0-00 | .GASKET, BREATHER COVER | 1 | (F4) |
| 12 | 67D-12414-A0-00 | .GASKET, COVER | 1 | (F4) |
| 13 | 93210-31MJ5-00 | .O-RING | 1 | (F4) |
| 14 | 67D-13646-A0-00 | .GASKET, MANIFOLD 2 | 2 | (F4) |
| 15 | 67D-13645-A0-00 | .GASKET, MANIFOLD 1 | 1 | (F4) |
| 16 | 93210-24M79-00 | .O-RING | 1 | (F4) |
| 17 | 67D-45113-A0-00 | .GASKET, UPPER CASING | 1 | (F4) |
| 18 | 93210-27ME3-00 | .O-RING | 1 | (F4) |
| 19 | 67D-W0093-00-00 | CARBURETOR REPAIR KIT | 1 | (F4) |
| 20 | 67D-14385-00-00 | .FLOAT | 1 | (F4) |
| 21 | 67D-14386-00-00 | .PIN, FLOAT | 1 | (F4) |
| 22 | 67D-14546-00-00 | .VALVE, NEEDLE | 1 | (F4) |
| 23 | 67D-14984-00-00 | .GASKET, FLOAT CHAMBER | 1 | (F4) |
| 24 | 6J8-14959-00-00 | .GASKET | 1 | (F4) |
| 25 | 97980-04112-00 | .SCREW, WITH WASHER | 2 | (F4) |
| 26 | 67D-14536-00-00 | .GASKET | 1 | (F4) |

F4MSHZ 2001 / REPAIR KIT 2



©2014 Yamaha Motor Corporation, U.S.A. All rights reserved.

Part List

F4MSHZ 2001 / REPAIR KIT 2

| REF - NO | PART NUMBER | PART NAME | QUANTITY | REMARKS |
|----------------|-----------------|-------------------------|----------|---------|
| 1 | 6E0-W0001-C1-00 | LOWER UNIT GASKET KIT | 1 | (F4) |
| 2 | 93101-10M14-00 | .OIL SEAL | 2 | (F4) |
| 3 | 90430-08801-00 | .GASKET | 3 | (F4) |
| 4 | 6E0-45315-A0-00 | .PACKING, LOWER CASING | 1 | (F4) |
| 5 | 6E0-44315-A0-00 | .GASKET, WATER PUMP | 1 | (F4) |
| 6 | 93101-13M12-00 | .OIL SEAL | 2 | (F4) |
| 7 | 93210-48214-00 | .O-RING | 1 | (F4) |
| 8 | 67D-W0078-00-00 | WATER PUMP REPAIR KIT | 1 | (F4) |
| 9 | 6E0-44311-00-00 | .HOUSING, WATER PUMP | 1 | (F4) |
| 10 | 6E0-44315-A0-00 | .GASKET, WATER PUMP | 1 | (F4) |
| 11 | 6E0-44322-02-00 | .INSERT, CARTRIDGE | 1 | (F4) |
| 12 | 6E0-44323-00-00 | .OUTER PLATE, CARTRIDGE | 1 | (F4) |
| 13 | 67D-44366-00-00 | .DAMPER, WATER SEAL 2 | 1 | (F4) |
| 14 | 6E0-44352-00-00 | .IMPELLER | 1 | (F4) |
| 15 | 97095-06045-00 | .BOLT | 4 | (F4) |
| 16 | 93604-18080-00 | .PIN, DOWEL | 2 | (F4) |

©2014 Yamaha Motor Corporation, U.S.A. All rights reserved.