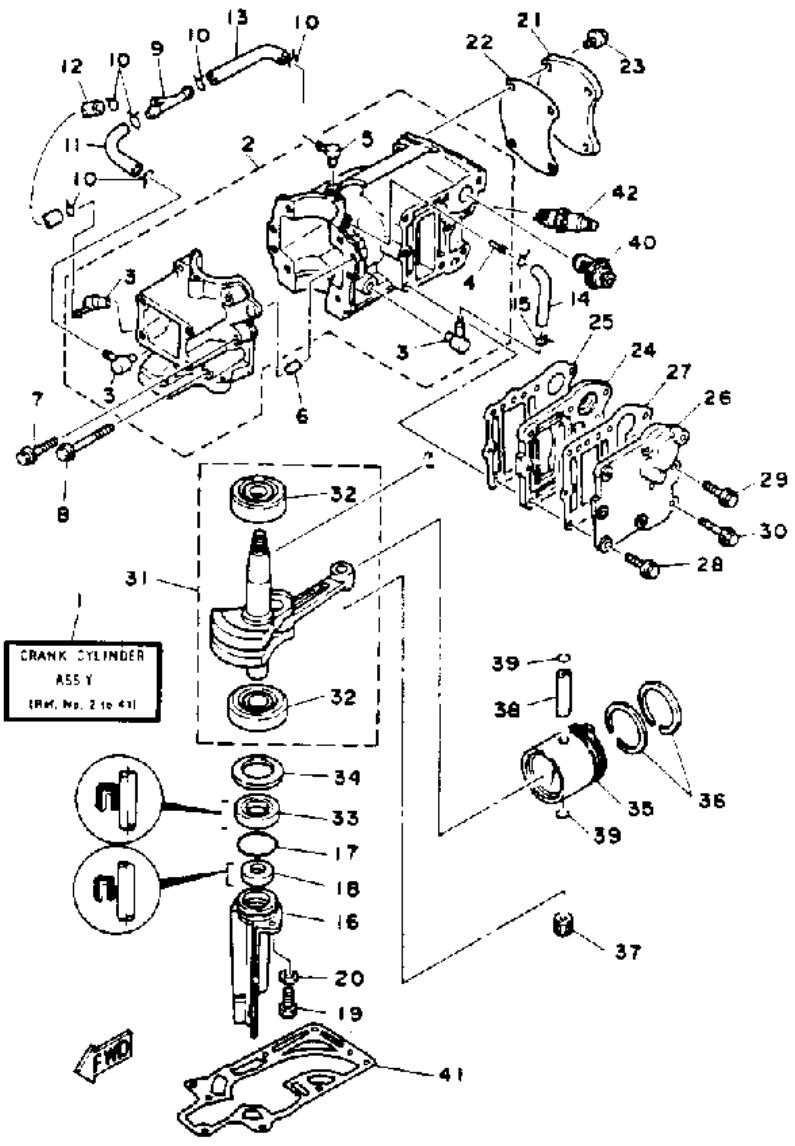


4MSHR 1993 / CYLINDER CRANKCASE



©2014 Yamaha Motor Corporation, U.S.A. All rights reserved.


Part List

4MSHR 1993 / CYLINDER CRANKCASE

| REF - NO | PART NUMBER | PART NAME | QUANTITY | REMARKS |
|----------|-----------------|-----------------------------|----------|---------|
| 1 | 6E0-W0090-04-EK | CRANK-CYLINDER.ASSEMBLY. | 1 | |
| 2 | 6E0-15100-01-94 | CRANKCASE ASSEMBLY | 1 | |
| 3 | 650-11370-00-00 | .CHECK VALVE ASSY | 3 | |
| 4 | 624-14485-00-00 | .PIPE, JOINT | 1 | |
| 5 | 6E5-11372-00-00 | .NIPPLE, HOSE | 1 | |
| 6 | 93604-08062-00 | PIN, DOWEL | 2 | |
| 7 | 90105-06M16-00 | BOLT, FLANGE | 4 | |
| 8 | 90105-06M17-00 | BOLT, FLANGE | 2 | |
| 9 | 6E0-24378-00-00 | PIPE, JOINT 3 | 1 | |
| 10 | 90467-06016-00 | CLIP | 6 | |
| 11 | 90445-07M00-00 | HOSE (L100) | 1 | |
| 12 | 90445-07M28-00 | .HOSE (L70) | 1 | |
| 13 | 90445-07M32-00 | HOSE (L120) | 1 | |
| 14 | 90445-07M28-00 | .HOSE (L70) | 1 | |
| 15 | 90467-06016-00 | CLIP | 2 | |
| 16 | 6E0-15396-03-5B | HOUSING, OIL SEAL | 1 | |
| 17 | 93210-31114-00 | O-RING | 1 | |
| 18 | 93101-10M25-00 | OIL SEAL | 1 | |
| 19 | 97395-06016-00 | BOLT, HEX | 1 | |
| 20 | 92990-06600-00 | WASHER, PLATE | 1 | |
| 21 | 6E0-11191-01-9M | COVER, CYLINDER HEAD 1 | 1 | |
| 22 | 6E0-11193-A1-00 | GASKET, HEAD COVER 1 | 1 | |
| 23 | 90105-06M14-00 | BOLT FLANGE | 4 | |
| 24 | 6E0-41111-01-9M | EXHAUST INNER COVER | 1 | |
| 25 | 6E0-41112-A1-00 | GASKET, EXHAUST INNER COVER | 1 | |
| 26 | 6E0-41113-01-9M | EXHAUST OUTER CVR. | 1 | |
| 27 | 6E0-41114-A1-00 | GASKET, EXHAUST OUTER COVER | 1 | |
| 28 | 90105-06M24-00 | BOLT, FLANGE | 7 | |
| 29 | 90105-06M16-00 | BOLT, FLANGE | 1 | |
| 30 | 90105-06M14-00 | BOLT FLANGE | 1 | |
| 31 | 6E0-11400-00-00 | CRANKSHAFT ASSEMBLY | 1 | |
| 32 | 93306-204U0-00 | .BEARING | 2 | |
| 33 | 93101-20M29-00 | OIL SEAL | 1 | |
| 34 | 676-45567-00-09 | SHIM, GEAR ADJUSTING. 0.9 | 1 | |
| 35 | 6E0-11631-00-98 | PISTON (STD) | 1 | |
| 36 | 6G1-11610-00-00 | PISTON RINGSET (STD) | 1 | |
| 37 | 93310-112V0-00 | BEARING | 1 | |
| 38 | 6G1-11633-00-00 | PIN, PISTON | 1 | |
| 39 | 93450-13022-00 | CIRCLIP | 2 | |
| 40 | 6E5-12411-01-00 | THERMOSTAT | 1 | |
| 41 | 6E0-45113-A1-00 | GASKET, UPPER CASING | 1 | |
| 42 | NGK-B7HS0-00-00 | NGK SPARK PLUG B7HS | 1 | |

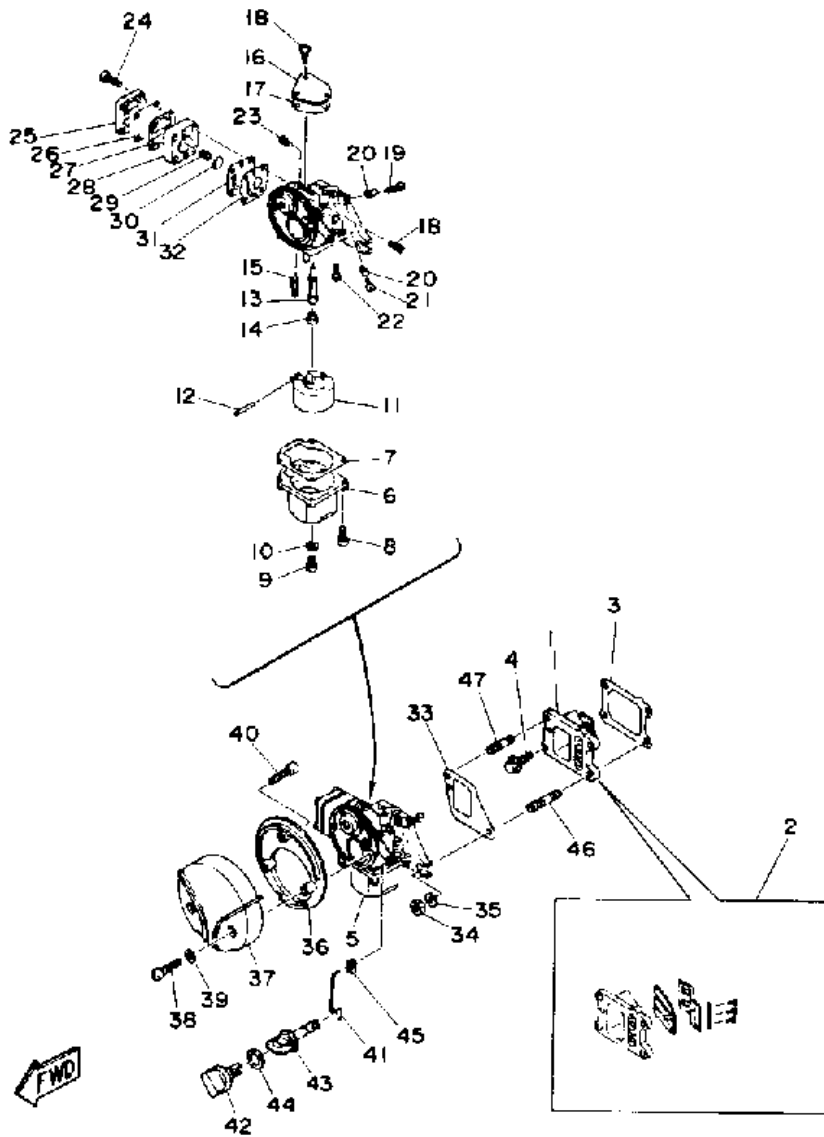
Part Notes

4MSHR 1993 / CYLINDER CRANKCASE

| PART NUMBER | NOTE TEXT |
|--|--|
| 92990-06600-00  | OEM: This part number is among the Top 100 Most Popular Marine Maintenance Parts as of March 2014. |

©2014 Yamaha Motor Corporation, U.S.A. All rights reserved.

4MSHR 1993 / INTAKE



©2014 Yamaha Motor Corporation, U.S.A. All rights reserved.


Part List

4MSHR 1993 / INTAKE

| REF - NO | PART NUMBER | PART NAME | QUANTITY | REMARKS |
|----------------|-----------------|--------------------------|----------|---------|
| 1 | 6E0-13610-00-00 | REED VALVE ASSY | 1 | |
| 2 | 6E0-W0004-00-00 | .REED SET | 1 | |
| 3 | 6E0-13621-A1-00 | GASKET, VALVE SEAT | 1 | |
| 4 | 95895-06016-00 | BOLT, FLANGE | 2 | |
| 5 | 6E0-14301-03-00 | CARB. ASSEMBLY 1 | 1 | |
| 6 | 6E0-14381-01-00 | .BODY, FLOAT CHAMBER | 1 | |
| 7 | 6E0-14384-00-00 | .GASKET, FLOAT CHAMBER | 1 | |
| 8 | 97980-04116-00 | .SCREW, WITH WASHER | 4 | |
| 9 | 677-14383-01-00 | .SCREW, DRAIN | 1 | |
| 10 | 6A1-14398-00-00 | .GASKET | 1 | |
| 11 | 6E7-14385-00-00 | .FLOAT | 1 | |
| 12 | 647-14386-10-00 | .PIN, FLOAT | 1 | |
| 13 | 6E0-14341-01-00 | .NOZZLE, MAIN | 1 | |
| 14 | 648-14343-40-00 | .JET, MAIN (# 80) | 1 | |
| 15 | 6G8-14392-10-00 | .VALVE, NEEDLE | 1 | |
| 16 | 6E0-14157-00-00 | .COVER, PLATE | 1 | |
| 17 | 6E0-14227-00-00 | .GASKET | 1 | |
| 18 | 97890-04007-00 | .SCREW, PAN HEAD | 4 | |
| 19 | 647-14323-00-00 | .SCREW, AIR ADJUSTING | 1 | |
| 20 | 646-14212-01-00 | .SPRING, PILOT ADJUSTING | 2 | |
| 21 | 664-14321-01-00 | .SCREW, THROTTLE | 1 | |
| 22 | 648-14342-23-00 | .JET, PILOT #XX | 1 | |
| 23 | 647-14326-00-00 | .SCREW, GUIDE | 1 | |
| 24 | 97980-04120-00 | .SCREW, WITH WASHER | 4 | |
| 25 | 6E0-24413-00-00 | .COVER | 1 | |
| 26 | 6E0-24471-00-00 | .DIAPHRAGM | 1 | |
| 27 | 6E0-24435-00-00 | .GASKET, BODY 2 | 1 | |
| 28 | 6E0-24412-00-00 | .BODY 1 | 1 | |
| 29 | 6E0-24423-00-00 | .SPRING, DIAPHRAGM | 1 | |
| 30 | 6E0-14346-00-00 | .PLATE | 1 | |
| 31 | 6E0-24411-00-00 | .DIAPHRAGM | 1 | |
| 32 | 6E0-24434-00-00 | .GASKET, BODY | 1 | |
| 33 | 6E0-14198-A0-00 | GASKET | 1 | |
| 34 | 95380-06700-00 | NUT | 2 | |
| 35 | 92990-06600-00 | WASHER, PLATE | 2 | |
| 36 | 6E0-14417-00-00 | COVER 1 | 1 | |
| 37 | 6E0-14418-00-00 | COVER 2 | 1 | |
| 38 | 98580-05525-00 | SCREW, PAN HEAD | 2 | |
| 39 | 92901-05600-00 | WASHER | 2 | |
| 40 | 97780-40720-00 | SCREW, TAPPING | 1 | |
| 41 | 6E0-41256-00-00 | ROD, CHOKE 1 | 1 | |
| 42 | 6E0-41271-00-00 | KNOB, CHOKE | 1 | |
| 43 | 6E0-41272-00-00 | KNOB, CHOKE | 1 | |
| 44 | 90202-12M16-00 | WASHER, PLATE | 1 | |
| 45 | 661-41262-02-00 | JOINT, CHOKE LEVER | 1 | |
| 46 | 95622-06325-00 | BOLT, STUD | 1 | |
| 47 | 90116-06M08-00 | BOLT, STUD | 1 | |

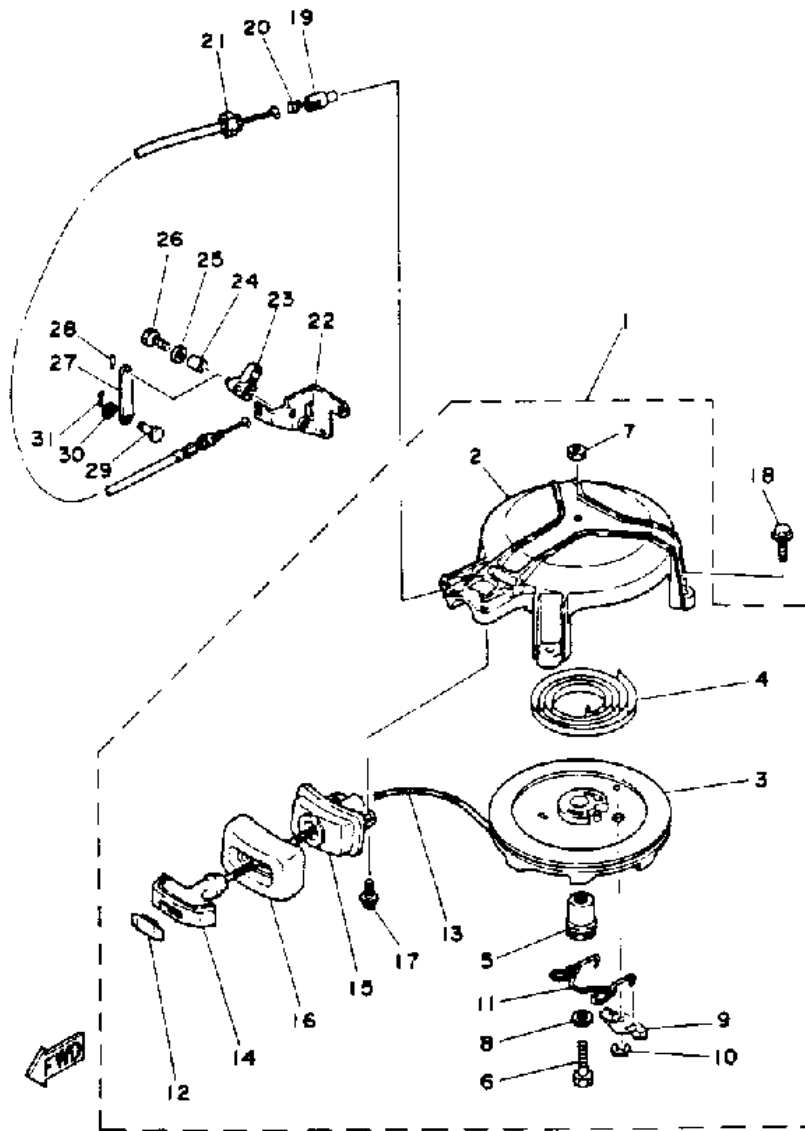
Part Notes

4MSHR 1993 / INTAKE

| PART NUMBER | NOTE TEXT |
|--|--|
| 92990-06600-00  | OEM: This part number is among the Top 100 Most Popular Marine Maintenance Parts as of March 2014. |

©2014 Yamaha Motor Corporation, U.S.A. All rights reserved.

4MSHR 1993 / MANUAL STARTER



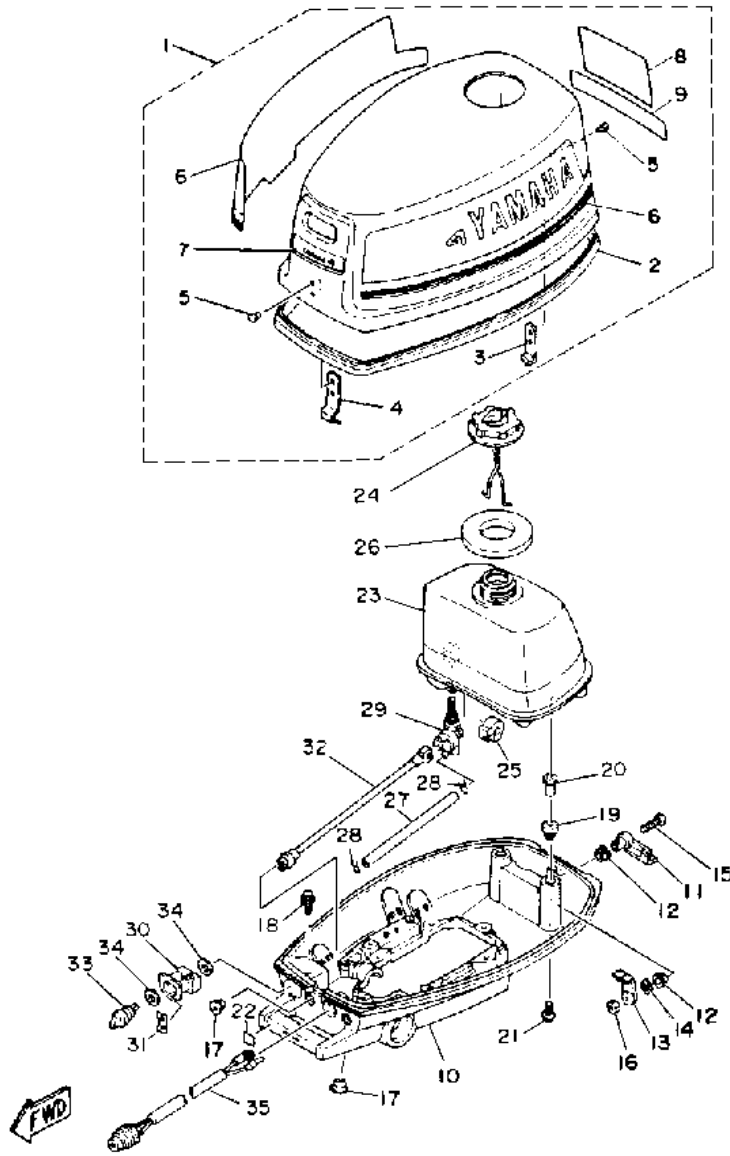
©2014 Yamaha Motor Corporation, U.S.A. All rights reserved.

Part List

4MSHR 1993 / MANUAL STARTER

| REF - NO | PART NUMBER | PART NAME | QUANTITY | REMARKS |
|----------------|-----------------|------------------------------|----------|---------|
| 1 | 6E4-15710-73-94 | STARTER ASSY | 1 | |
| 2 | 6E4-15711-71-94 | .CASE, STARTER | 1 | |
| 3 | 6E0-15714-01-00 | .DRUM, SHEAVE | 1 | |
| 4 | 90510-08M03-00 | .SPRING, SPIRAL | 1 | |
| 5 | 6E0-15717-00-00 | .SHAFT, STARTER | 1 | |
| 6 | 97013-06035-00 | .BOLT | 1 | |
| 7 | 95380-06600-00 | .NUT, HEXAGON | 1 | |
| 8 | 90201-06M30-00 | .WASHER, PLATE | 1 | |
| 9 | 677-15741-01-00 | .PAWL, DRIVE | 1 | |
| 10 | 93430-06M02-00 | .CIRCLIP | 1 | |
| 11 | 6E0-15705-00-00 | .SPRING, DRIVE PAWL | 1 | |
| 12 | 689-15779-01-00 | .COVER | 1 | |
| 13 | 90580-40M02-00 | .ROPE, STARTER | 1 | |
| 14 | 6G1-15755-00-00 | .HANDLE, STARTER | 1 | |
| 15 | 6E0-15758-01-00 | .GUIDE, ROPE | 1 | |
| 16 | 6E0-15761-00-00 | .SEAL, RUBBER 1 | 1 | |
| 17 | 95895-06016-00 | .BOLT, FLANGE | 2 | |
| 18 | 95895-06020-00 | BOLT, FLANGE | 3 | |
| 19 | 656-15748-00-00 | PLUNGER, STARTER STOP | 1 | |
| 20 | 90501-10227-00 | SPRING, COMPRESSION | 1 | |
| 21 | 6E4-15770-70-00 | CABLE COMP., STARTER STOP | 1 | |
| 22 | 6E0-15772-70-00 | STAY 2 | 1 | |
| 23 | 6E4-15746-70-00 | ARM | 1 | |
| 24 | 90387-06504-00 | COLLAR | 1 | |
| 25 | 90201-06M08-00 | WASHER, PLATE | 1 | |
| 26 | 97313-06020-00 | BOLT, HEXAGON | 1 | |
| 27 | 6E4-15747-70-00 | LINK | 1 | |
| 28 | 90468-10005-00 | CLIP | 1 | |
| 29 | 91790-05010-00 | PIN, CLEVIS | 1 | |
| 30 | 90202-05088-00 | WASHER, PLATE | 1 | |
| 31 | 91490-16010-00 | PIN. COTTER | 1 | |

4MSHR 1993 / COWLING FUEL



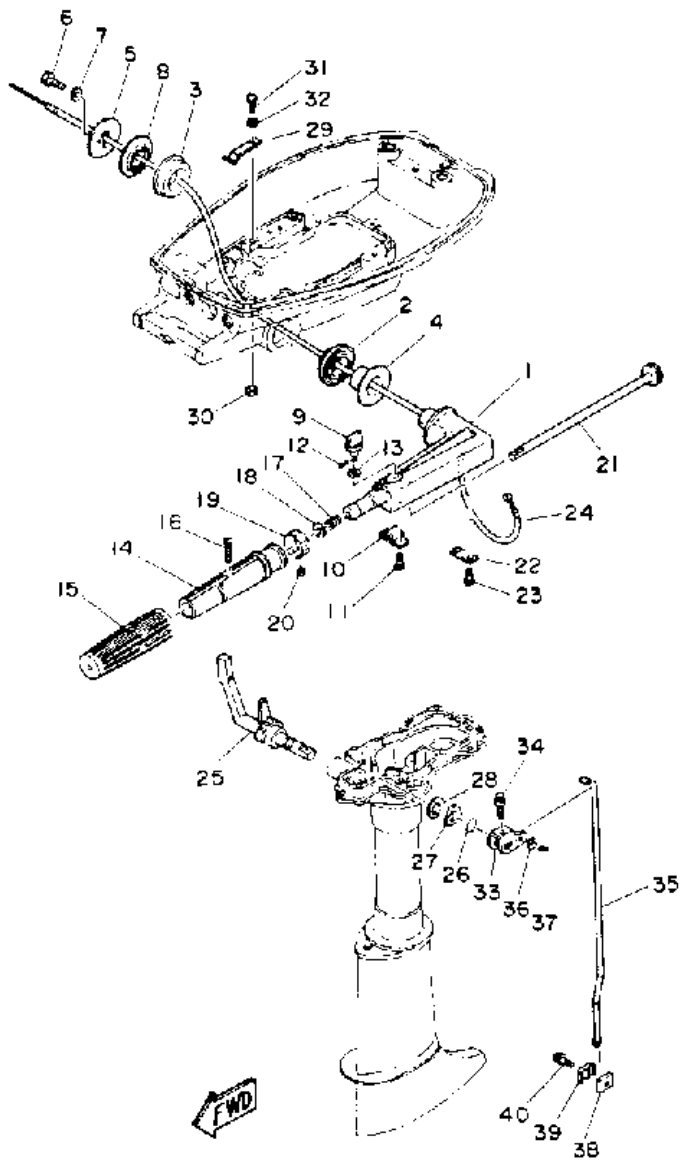
©2014 Yamaha Motor Corporation, U.S.A. All rights reserved.

Part List

4MSHR 1993 / COWLING FUEL

| REF - NO | PART NUMBER | PART NAME | QUANTITY | REMARKS |
|----------------|-----------------|----------------------|----------|---------|
| 1 | 6E0-42610-13-EK | TOP COWLING ASSEMBLY | 1 | |
| 2 | 6E0-42615-00-00 | .SEAL | 1 | |
| 3 | 6E0-42647-01-00 | .HOLDER, CLAMP BAND | 1 | |
| 4 | 6E0-42651-02-00 | .HOOK | 1 | |
| 5 | 90266-04M00-00 | .RIVET | 4 | |
| 6 | 6E0-W0070-12-00 | .GRAPHIC SET | 1 | |
| 7 | 6E0-42677-10-00 | .GRAPHIC, FRONT | 1 | |
| 8 | 6E0-42678-11-00 | .GRAPHIC, REAR | 1 | |
| 9 | 6E0-42682-10-00 | .MARK, COWLING 2 | 1 | |
| 10 | 6E0-42711-04-EK | BOTTOM COWLING | 1 | |
| 11 | 6E0-42815-00-EK | LEVER, CLAMP 1 | 1 | |
| 12 | 90386-12069-00 | BUSH | 2 | |
| 13 | 6E0-42816-00-00 | LEVER, CLAMP | 1 | |
| 14 | 90206-12052-00 | WASHER, WAVE | 1 | |
| 15 | 97895-06030-00 | SCREW, PAN HEAD | 1 | |
| 16 | 95380-06700-00 | NUT | 1 | |
| 17 | 90480-14M14-00 | GROMMET | 2 | |
| 18 | 90105-06M15-00 | BOLT, FLANGE | 1 | |
| 19 | 6E0-24182-00-00 | DAMPER, LOCATING 2 | 2 | |
| 20 | 6E0-42542-00-00 | PIPE | 2 | |
| 21 | 95895-06025-00 | BOLT, FLANGE | 2 | |
| 22 | 6A1-42792-01-00 | MARK (100:1) | 1 | |
| 23 | 6E0-24110-00-EK | FUEL TANK | 1 | |
| 24 | 6E0-24610-02-00 | CAP ASSY | 1 | |
| 25 | 6E0-24181-00-00 | DAMPER, LOCATING 1 | 2 | |
| 26 | 6E0-24641-00-00 | GASKET, CAP 1 | 1 | |
| 27 | 90445-09M37-00 | HOSE (L240) | 1 | |
| 28 | 90467-08004-00 | CLIP | 2 | |
| 29 | 6E0-24500-00-00 | FUEL COCK ASSEMBLY 1 | 1 | |
| 30 | 6E0-24571-00-00 | BUSHING | 1 | |
| 31 | 6E0-24591-00-00 | GRAPHIC, CHANGE LEV | 1 | |
| 32 | 6E0-24572-00-00 | SHAF2, FUEL CHANGE | 1 | |
| 33 | 6E0-24575-01-00 | LEVER, FUEL CHANGE | 1 | |
| 34 | 90202-12M17-00 | WASHER, PLATE | 2 | |
| 35 | 6E0-82550-00-00 | STOP SWITCH ASSEMBLY | 1 | |

4MSHR 1993 / CONTROL ENGINE



©2014 Yamaha Motor Corporation, U.S.A. All rights reserved.


Part List

4MSHR 1993 / CONTROL ENGINE

| REF - NO | PART NUMBER | PART NAME | QUANTITY | REMARKS |
|----------------|-----------------|--------------------------|----------|----------|
| 1 | 6E0-42111-02-EK | HANDLE, STEERING | 1 | |
| 2 | 6E0-42129-02-00 | BUSHING, RUBBER | 2 | |
| 3 | 6E4-42129-00-00 | BUSHING, RUBBER | 1 | |
| 4 | 90386-26M30-00 | BUSH | 1 | |
| 5 | 6E0-42131-02-94 | COVER, HANDLE STEERING | 1 | |
| 6 | 97313-05020-00 | BOLT, HEXAGON | 2 | |
| 7 | 92990-05600-00 | WASHER, PLATE | 2 | |
| 8 | 90386-26M33-00 | BUSH | 1 | |
| 9 | 6E0-42125-00-00 | BOLT, FRICTION ADJUSTING | 1 | |
| 9 | 6E0-42134-02-00 | COVER, THROTTLE LEVER | 1 | |
| 11 | 97895-05012-00 | SCREW, PAN HEAD | 2 | |
| 12 | 91490-12012-00 | PIN. COTTER | 1 | |
| 13 | 90202-07M22-00 | WASHER, PLATE | 1 | |
| 14 | 6E0-42119-00-00 | GRIP, STEERING HANDLE | 1 | |
| 15 | 6E0-42177-00-00 | RUBBER, HANDLE | 1 | |
| 16 | 6E0-42137-10-00 | INDICATOR, THROTTLE | 1 | |
| 17 | 90501-23215-00 | SPRING, COMPRESSION | 1 | |
| 18 | 90201-10119-00 | WASHER, PLATE | 1 | |
| 19 | 90149-05M13-00 | SCREW | 1 | |
| 20 | 90269-02M09-00 | RIVET | 1 | |
| 21 | 6E0-42138-01-00 | LEVER, THROTTLE | 1 | |
| 22 | 6E0-42159-02-00 | STAY | 1 | |
| 23 | 97895-05012-00 | SCREW, PAN HEAD | 2 | |
| 24 | 6E0-26301-01-00 | THROTTLE CABLE ASSY | 1 | |
| 25 | 6E4-44111-72-EK | HANDLE, GEAR SHIFT | 1 | |
| 26 | 93210-12790-00 | O-RING | 2 | |
| 27 | 90206-16M06-00 | WASHER, WAVE | 1 | |
| 28 | 90202-16061-00 | WASHER, PLATE | 1 | |
| 29 | 6E0-44116-00-00 | SPRING | 1 | |
| 30 | 95380-06700-00 | NUT | 1 | |
| 31 | 97395-06012-00 | BOLT | 1 | |
| 32 | 92990-06600-00 | WASHER, PLATE | 1 | |
| 33 | 6E0-44121-00-00 | LEVER, SHIFT ROD | 1 | |
| 34 | 95895-06025-00 | BOLT, FLANGE | 1 | |
| 35 | 6E0-44143-10-00 | ROD, SHIFT | 1 | UR LONG |
| 35 | 6E0-44143-00-00 | ROD, SHIFT | 1 | UR SHORT |
| 36 | 92990-05600-00 | WASHER, PLATE | 1 | |
| 37 | 91490-16010-00 | PIN. COTTER | 1 | |
| 38 | 6E0-44145-00-00 | CONNECTOR, SHIFT ROD | 1 | |
| 39 | 6E0-44146-00-00 | CONNECTOR, SHIFT ROD | 1 | |
| 40 | 95895-06020-00 | BOLT, FLANGE | 1 | |

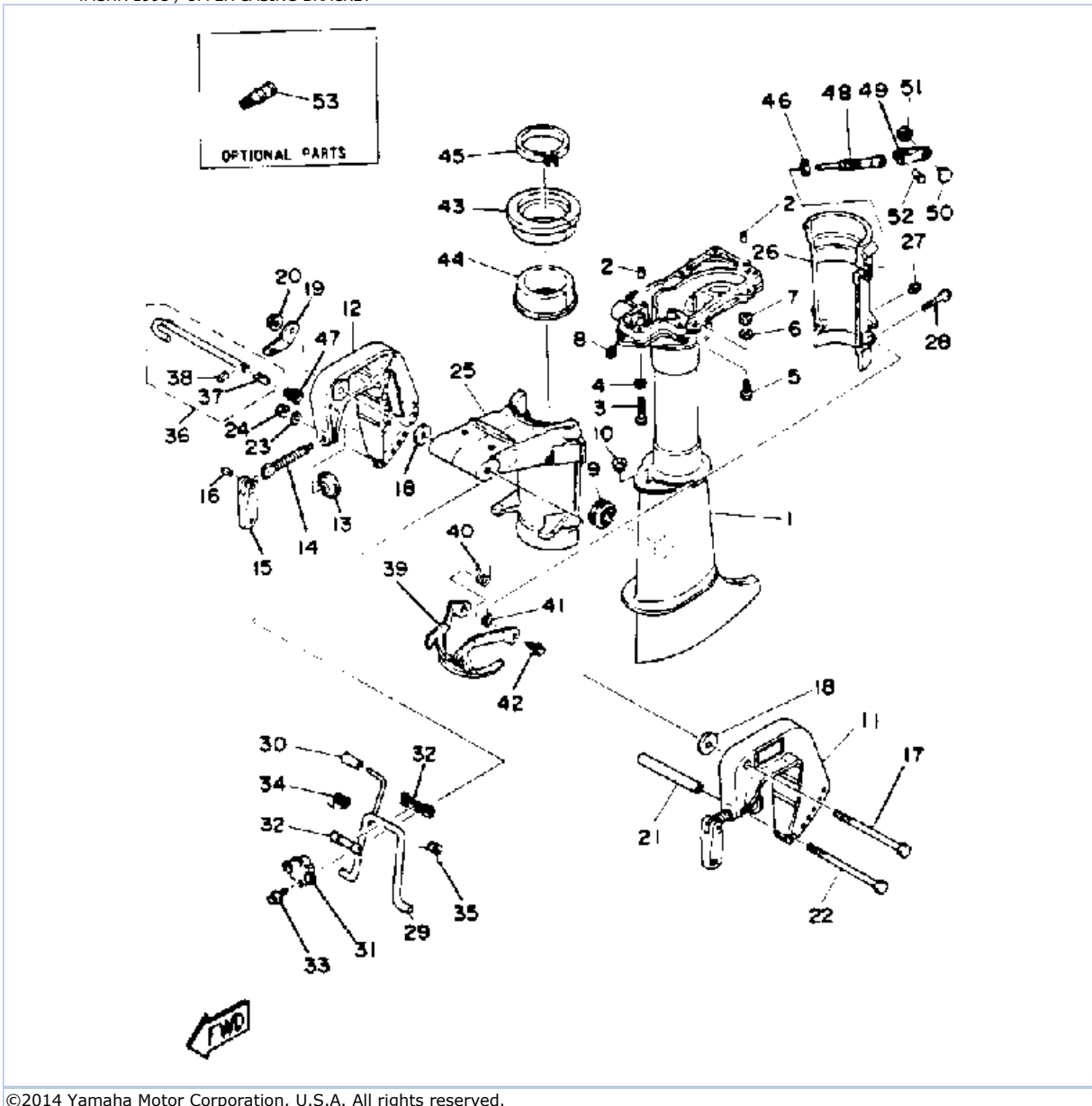
Part Notes

4MSHR 1993 / CONTROL ENGINE

| PART NUMBER | NOTE TEXT |
|--|--|
| 92990-06600-00  | OEM: This part number is among the Top 100 Most Popular Marine Maintenance Parts as of March 2014. |

©2014 Yamaha Motor Corporation, U.S.A. All rights reserved.

4MSHR 1993 / UPPER CASING BRACKET



©2014 Yamaha Motor Corporation, U.S.A. All rights reserved.


Part List



4MSHR 1993 / UPPER CASING BRACKET

| REF - NO | PART NUMBER | PART NAME | QUANTITY | REMARKS |
|----------|-----------------|-----------------------|----------|----------|
| 1 | 6E0-45111-02-EK | CASING, UPPER | 1 | UR SHORT |
| 1 | 6E0-45111-12-EK | CASING, UPPER | 1 | UR LONG |
| 2 | 93606-12019-00 | .PIN, DOWEL | 2 | |
| 3 | 97395-06030-00 | BOLT | 7 | |
| 4 | 92990-06600-00 | WASHER, PLATE | 7 | |
| 5 | 97395-06016-00 | BOLT, HEX | 4 | |
| 6 | 92990-06600-00 | WASHER, PLATE | 4 | |
| 7 | 95380-06700-00 | NUT | 4 | |
| 8 | 93700-06M03-00 | NIPPLE, GREASE | 1 | |
| 9 | 647-45151-01-00 | COVER, UPPER CASING | 1 | |
| 10 | 90480-10M13-00 | GROMMET | 1 | |
| 11 | 6E0-43111-01-EK | BRACKET, CLAMP | 1 | |
| 12 | 6E0-43112-01-EK | BRACKET, CLAMP | 1 | |
| 13 | 648-43114-01-00 | PAD, TRANSOM CLAMP | 2 | |
| 14 | 6E0-43116-01-00 | SCREW, TRANSOM CLAMP | 2 | |
| 15 | 6E0-43118-00-00 | HANDLE, TRANSOM CLP | 2 | |
| 16 | 90254-04M00-00 | PIN, SPRING TYPE | 2 | |
| 17 | 90101-08M07-00 | BOLT | 1 | |
| 18 | 90201-08M03-00 | WASHER, PLATE | 2 | |
| 19 | 6A1-43113-01-00 | PLATE, CLAMP BRACKET | 1 | |
| 20 | 95780-08300-00 | ..NUT, FLANGE | 1 | |
| 21 | 90387-06M11-00 | COLLAR | 1 | |
| 22 | 90101-06335-00 | BOLT | 1 | |
| 23 | 92990-06600-00 | WASHER, PLATE | 1 | |
| 24 | 95380-06600-00 | NUT, HEXAGON | 1 | |
| 25 | 6E0-43311-04-EK | BRACKET, SWIVEL 1 | 1 | |
| 26 | 6E0-43312-02-EK | BRACKET, SWIVEL 2 | 1 | |
| 27 | 93700-06M03-00 | NIPPLE, GREASE | 1 | |
| 28 | 95895-06035-00 | BOLT, FLANGE | 4 | |
| 29 | 6E0-43181-00-00 | LEVER, TILT STOP | 1 | |
| 30 | 6E0-43632-00-00 | KNOB, TILT | 1 | |
| 31 | 6E0-43313-00-94 | BRACKET, SWIVEL 3 | 1 | |
| 32 | 620-43189-00-00 | BUSHING | 2 | |
| 33 | 95895-06020-00 | BOLT, FLANGE | 2 | |
| 34 | 90508-16020-00 | SPRING, TORSION | 1 | |
| 35 | 90508-16021-00 | SPRING, TORSION | 1 | |
| 36 | 6E0-43160-01-00 | TILT ROD ASSY | 1 | |
| 37 | 689-43165-00-00 | .PLATE, TILT LOCK | 1 | |
| 38 | 91690-30008-00 | .PIN, SPRING | 1 | |
| 39 | 6E0-43614-00-5B | PLATE, TILT LOCK | 1 | |
| 40 | 90508-14M10-00 | SPRING, TORSION | 1 | |
| 41 | 90508-14M11-00 | SPRING, TORSION | 1 | |
| 42 | 95895-06010-00 | BOLT, FLANGE | 2 | |
| 43 | 6E0-42537-02-00 | BUSHING, PIVOT SHAFT | 1 | |
| 44 | 6E0-42538-02-00 | BUSHING, PIVOT SHAFT | 1 | |
| 45 | 6E0-42528-03-00 | PLATE, FRICTION | 1 | |
| 46 | 95380-08600-00 | NUT | 1 | |
| 47 | 90502-08M05-00 | SPRING, CONICAL | 1 | |
| 48 | 6L5-42529-01-00 | SCREW, FRICTION PIECE | 1 | |
| 49 | 6L5-42561-00-00 | KNOB, STEERING LOCK | 1 | |
| 50 | 6L5-44196-00-00 | INDICATOR 3 | 1 | |
| 51 | 6L5-44197-00-00 | INDICATOR 4 | 1 | |
| 52 | 90266-04M05-00 | RIVET | 1 | |
| 53 | ABB-FLUSH-JD-00 | JET DRIVE FLUSH | 1 | AP |

Part Notes

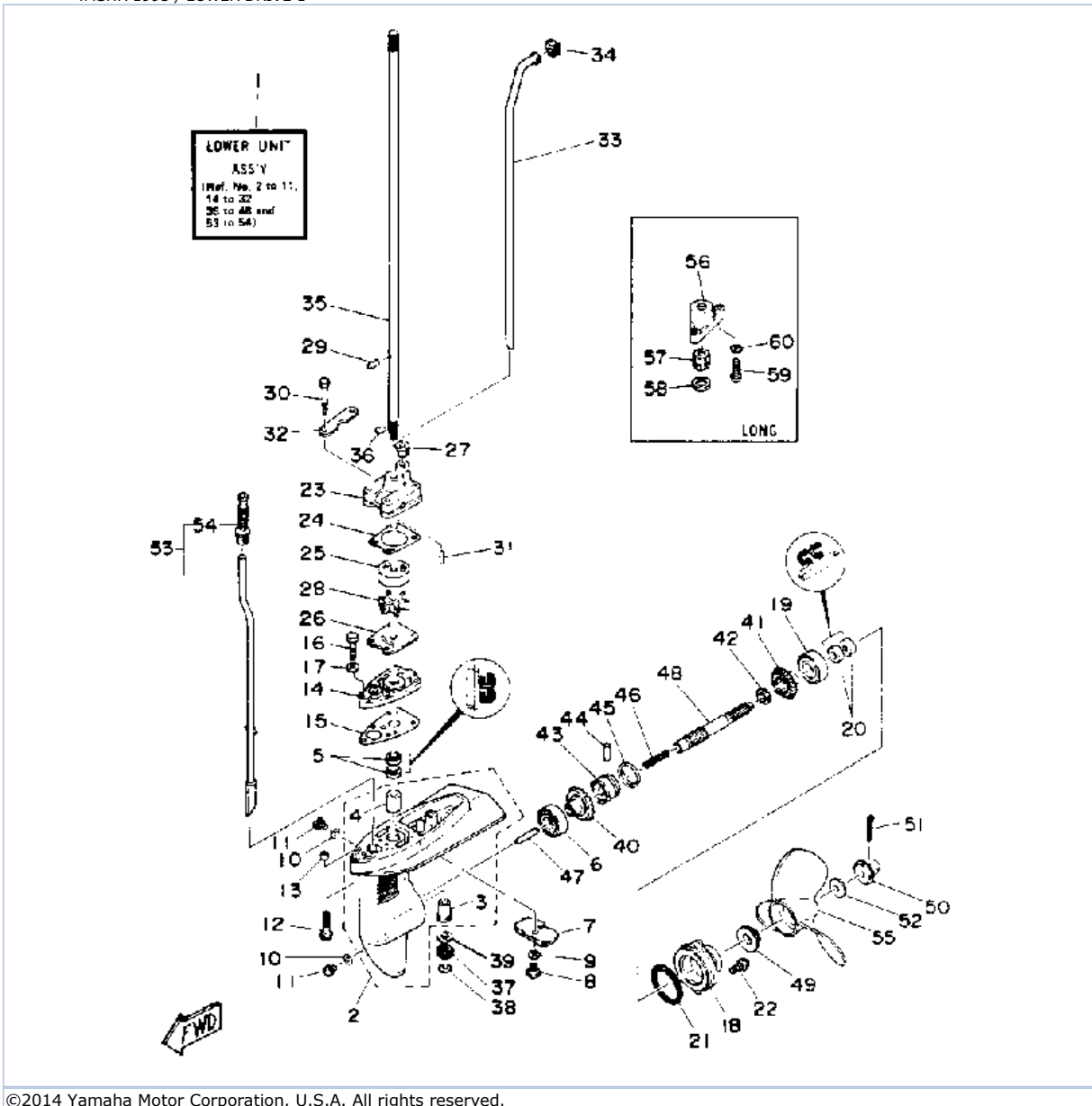
4MSHR 1993 / UPPER CASING BRACKET

| PART NUMBER | NOTE TEXT |
|--|--|
| 92990-06600-00  | OEM: This part number is among the Top 100 Most Popular Marine Maintenance Parts as of March 2014. |

| | | |
|----------------|---|--|
| 92990-06600-00 |  | OEM: This part number is among the Top 100 Most Popular Marine Maintenance Parts as of March 2014. |
| 92990-06600-00 |  | OEM: This part number is among the Top 100 Most Popular Marine Maintenance Parts as of March 2014. |

©2014 Yamaha Motor Corporation, U.S.A. All rights reserved.

4MSHR 1993 / LOWER DRIVE 1



©2014 Yamaha Motor Corporation, U.S.A. All rights reserved.

Part List




4MSHR 1993 / LOWER DRIVE 1

| REF - NO | PART NUMBER | PART NAME | QUANTITY | REMARKS |
|----------|-----------------|--------------------------|----------|-------------|
| 1 | 6E0-45300-03-EK | LOWER UNIT ASSEMBLY | 1 | UR SHORT |
| 1 | 6E0-45300-13-EK | LOWER UNIT ASSEMBLY | 1 | UR LONG |
| 2 | 6E0-45311-02-EK | CASING, LOWER | 1 | |
| 3 | 6E0-45317-09-00 | .BUSHING, DRIVE SHAFT | 1 | |
| 4 | 6E0-45316-09-00 | .BUSHING, DRIVE SHAFT | 1 | |
| 5 | 93101-10M14-00 | .OIL SEAL | 2 | |
| 6 | 93306-004U0-00 | BEARING | 1 | |
| 7 | 6L5-45251-02-00 | ANODE | 1 | |
| 8 | 97395-06012-00 | BOLT | 1 | |
| 9 | 92990-06600-00 | WASHER, PLATE | 1 | |
| 10 | 90430-08020-00 | .GASKET | 3 | |
| 11 | 90340-08M04-00 | PLUG, STRAIGHT SCREW | 3 | |
| 12 | 90119-06M40-00 | BOLT, WITH WASHER | 2 | |
| 13 | 90387-06M14-00 | COLLAR | 2 | |
| 14 | 6E0-45321-01-5B | PLATE | 1 | |
| 15 | 6E0-45315-A0-00 | .PACKING, LOWER CASING | 1 | |
| 16 | 97395-06025-00 | BOLT | 1 | |
| 17 | 92990-06600-00 | WASHER, PLATE | 1 | |
| 18 | 6E0-45361-01-EK | CAP, LOWER CASING | 1 | |
| 19 | 93306-004U0-00 | BEARING | 1 | |
| 20 | 93101-13M12-00 | .OIL SEAL | 2 | |
| 21 | 93210-48214-00 | .O-RING | 1 | |
| 22 | 95895-06016-00 | BOLT, FLANGE | 2 | |
| 23 | 6E0-44311-00-00 | HOUSING, WATER PUMP | 1 | |
| 24 | 6E0-44315-A0-00 | .GASKET, WATER PUMP | 1 | |
| 25 | 6E0-44322-02-00 | INSERT, CARTRIDGE | 1 | |
| 25 | 6E0-44322-40-00 | INSERT, CARTRIDGE | 1 | AP CHROMATE |
| 26 | 6E0-44323-00-00 | OUTER PLATE, CARTRIDGE | 1 | |
| 26 | 6E0-44323-40-00 | OUTER PLATE, CARTRIDGE | 1 | AP CHROMATE |
| 27 | 6E0-44366-00-00 | DAMPER, WATER SEAL 2 | 1 | |
| 28 | 6E0-44352-00-00 | IMPELLER | 1 | |
| 29 | 93604-09066-00 | PIN, DOWEL | 1 | |
| 30 | 97395-06045-00 | BOLT, HEXAGON | 4 | |
| 31 | 93604-18080-00 | .PIN, DOWEL | 2 | |
| 32 | 6E0-44328-00-00 | PLATE | 2 | |
| 33 | 6E0-44361-00-00 | TUBE, WATER | 1 | UR SHORT |
| 33 | 6E0-44361-10-00 | TUBE, WATER | 1 | UR LONG |
| 34 | 646-44365-00-00 | DAMPER, WATER SEAL | 1 | |
| 35 | 6E0-45511-00-00 | SHAFT, DRIVE (SHORT) | 1 | UR SHORT |
| 35 | 6E0-45511-10-00 | DRIVE SHAFT (LONG) | 1 | UR LONG |
| 36 | 90467-08M01-00 | CLIP | 1 | |
| 37 | 6E0-45551-00-00 | PINION (13T) | 1 | |
| 38 | 99009-06600-00 | CIRCLIP | 1 | |
| 39 | 90201-11M49-00 | WASHER, PLATE | 1 | |
| 40 | 6E0-45560-00-00 | GEAR | 1 | |
| 41 | 6E0-45570-00-00 | GEAR | 1 | |
| 42 | 90201-13M50-00 | WASHER, PLATE | 1 | |
| 43 | 6E0-45631-00-00 | CLUTCH, DOG | 1 | |
| 44 | 90250-05046-00 | PIN, STRAIGHT | 1 | |
| 45 | 654-45633-00-00 | RING, CROSS PIN | 1 | |
| 46 | 90501-10064-00 | SPRING, COMPRESSION | 1 | |
| 47 | 654-45635-00-00 | PLUNGER, SHIFT | 1 | |
| 48 | 6E0-45611-01-00 | SHAFT, PROPELLER | 1 | |
| 49 | 6L5-45987-00-00 | SPACER (6L5-45987-01-00) | 1 | |
| 50 | 6L5-45616-00-00 | NUT, PROPELLER | 1 | |
| 51 | 91490-25030-00 | PIN. COTTER | 1 | |
| 52 | 90201-08M54-00 | WASHER, PLATE | 1 | |
| 53 | 6E0-44150-00-00 | SHIFT CAM ASSY | 1 | UR SHORT |
| 53 | 6E0-44150-10-00 | SHIFT CAM ASSY | 1 | UR LONG |
| 54 | 6G1-44147-00-00 | .BOOT, SHIFT ROD | 1 | |

| | | | | |
|----|-----------------|--------------------------------|---|------|
| 55 | 6E0-45943-01-EL | PROPELLER (3X7-1/2"X7"-BA) | 1 | UR |
| 55 | 6E0-45949-00-EL | PROPELLER (3X7-1/4"X6-1/2"-BA) | 1 | UR |
| 55 | 6E0-45941-01-EL | PROPELLER (3X7-1/2"X8"-BA) | 1 | UR |
| 56 | 6E0-45331-00-5B | HOUSING, BEARING | 1 | LONG |
| 57 | 6E0-45318-01-00 | BUSHING, DRIVE SHAFT | 1 | LONG |
| 58 | 93420-22M03-00 | CIRCLIP | 1 | LONG |
| 59 | 98580-05525-00 | SCREW, PAN HEAD | 2 | LONG |
| 60 | 92901-05600-00 | WASHER | 2 | LONG |

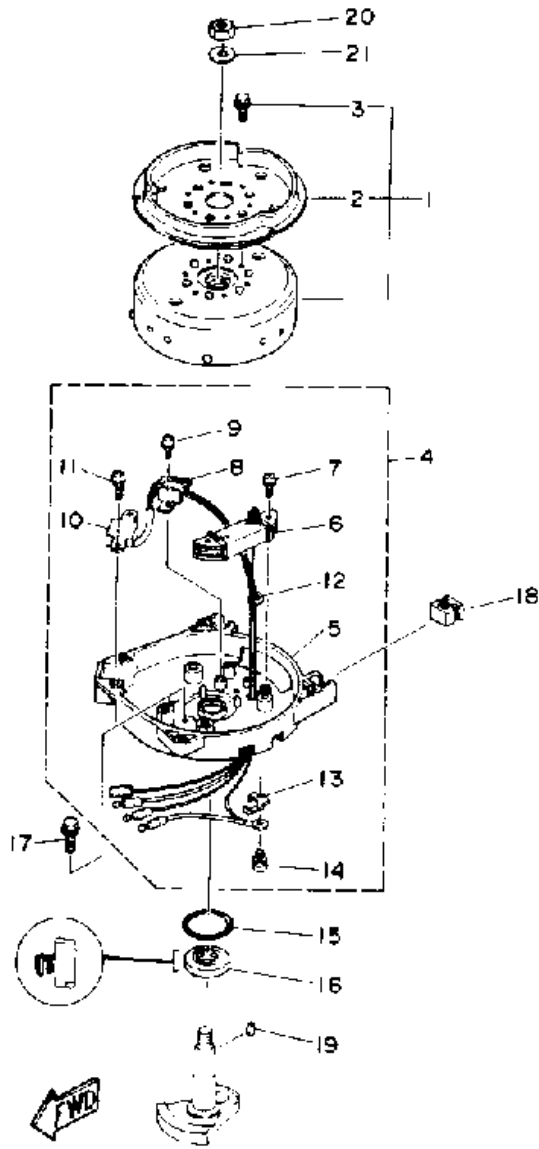
Part Notes

4MSHR 1993 / LOWER DRIVE 1

| PART NUMBER | | NOTE TEXT |
|----------------|---|--|
| 92990-06600-00 |  | OEM: This part number is among the Top 100 Most Popular Marine Maintenance Parts as of March 2014. |
| 90430-08020-00 |  | OEM: This part number is among the Top 100 Most Popular Marine Maintenance Parts as of March 2014. |
| 92990-06600-00 |  | OEM: This part number is among the Top 100 Most Popular Marine Maintenance Parts as of March 2014. |

©2014 Yamaha Motor Corporation, U.S.A. All rights reserved.

4MSHR 1993 / GENERATOR



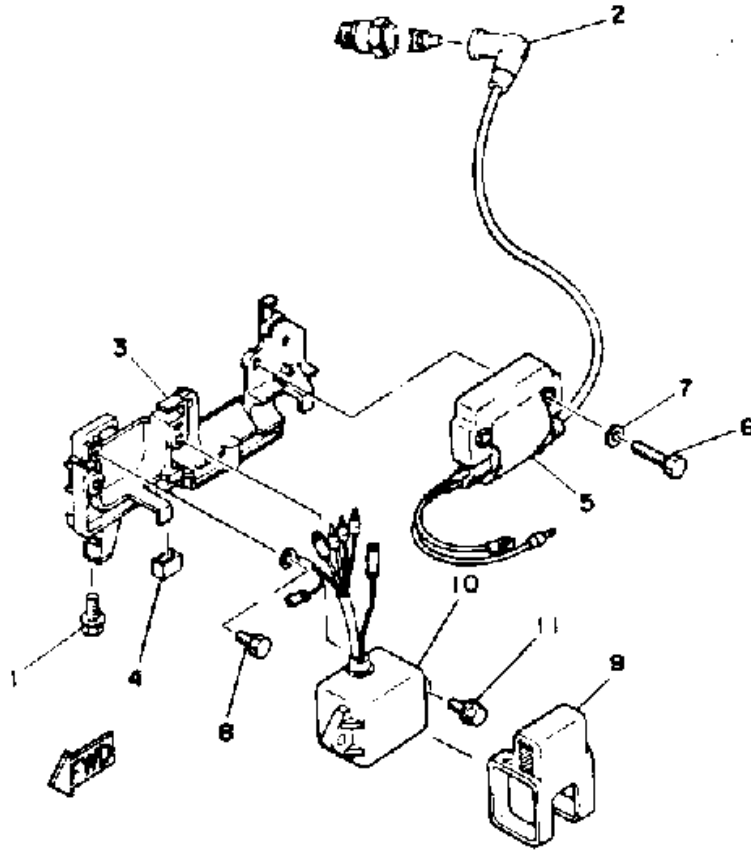
©2014 Yamaha Motor Corporation, U.S.A. All rights reserved.

Part List

4MSHR 1993 / GENERATOR

| REF - NO | PART NUMBER | PART NAME | QUANTITY | REMARKS |
|----------------|-----------------|---------------------|----------|---------|
| 1 | 6E0-85550-71-00 | ROTOR ASSY | 1 | |
| 2 | 6E0-15723-00-94 | .PULLEY, STARTER | 1 | |
| 3 | 90105-06M14-00 | .BOLT FLANGE | 3 | |
| 4 | 6E0-85560-70-00 | BASE ASSY | 1 | |
| 5 | 6E0-15359-00-94 | .HOUSING, OIL SEAL | 1 | |
| 6 | 6E0-85520-70-00 | .COIL, CHARGE | 1 | |
| 7 | 90159-05038-00 | .SCREW, WITH WASHER | 2 | |
| 8 | 6E0-85595-70-00 | .COIL, PULSER | 1 | |
| 9 | 90159-04036-00 | .SCREW, WITH WASHER | 2 | |
| 10 | 6E0-85592-70-00 | .PULSER COIL ASSY | 1 | |
| 11 | 90159-05037-00 | .SCREW, WITH WASHER | 2 | |
| 12 | 6E0-81336-70-00 | .GROMMET | 1 | |
| 13 | 6E0-81328-70-00 | .CLAMP | 1 | |
| 14 | 90159-04035-00 | .SCREW, WITH WASHER | 1 | |
| 15 | 93210-42159-00 | .O-RING | 1 | |
| 16 | 93102-20M25-00 | OIL SEAL | 1 | |
| 17 | 95895-06016-00 | BOLT, FLANGE | 2 | |
| 18 | 6E0-24183-00-00 | DAMPER, LOCATING 3 | 2 | |
| 19 | 90280-04M06-00 | KEY, WOODRUFF | 1 | |
| 20 | 90170-10113-00 | NUT | 1 | |
| 21 | 90201-102G9-00 | WASHER, PLATE | 1 | |

4MSHR 1993 / ELECTRIC PARTS



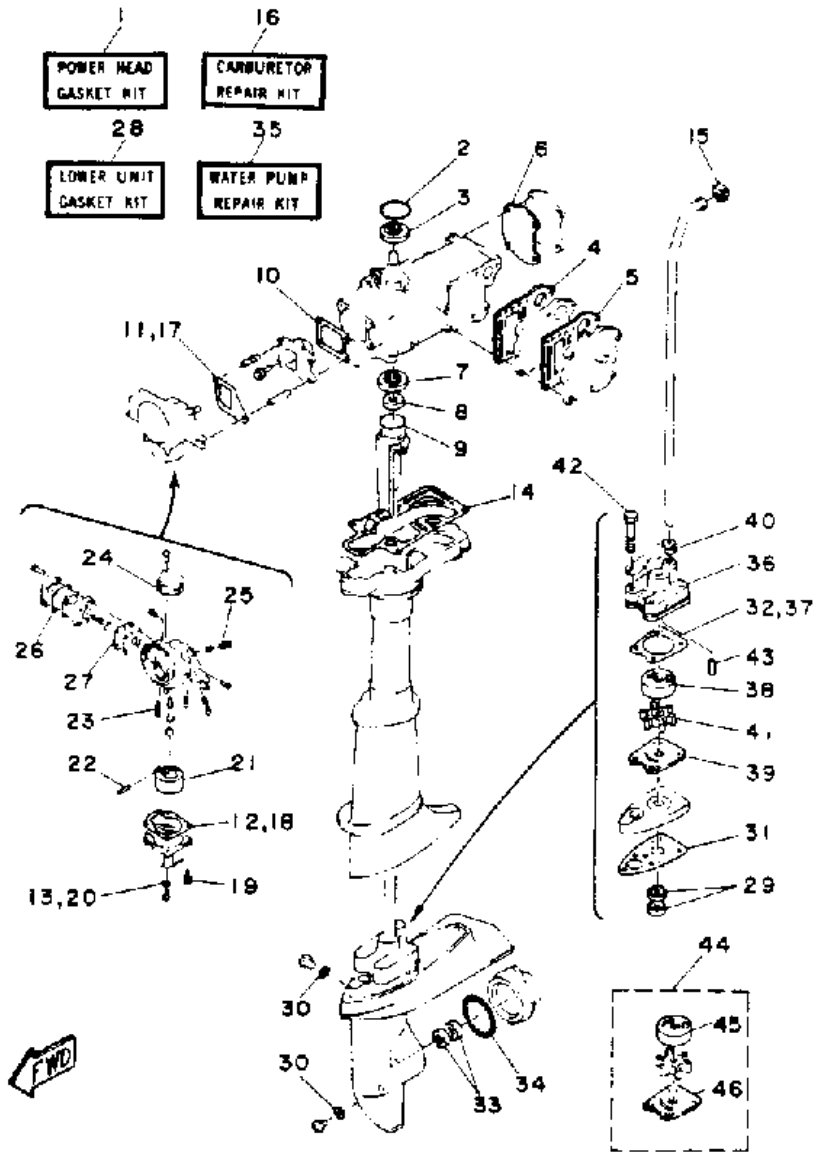
©2014 Yamaha Motor Corporation, U.S.A. All rights reserved.

Part List

4MSHR 1993 / ELECTRIC PARTS

| REF - NO | PART NUMBER | PART NAME | QUANTITY | REMARKS |
|----------------|-----------------|------------------------|----------|---------|
| 1 | 95895-06016-00 | BOLT, FLANGE | 2 | |
| 2 | 663-82370-01-00 | PLUG CAP ASSY | 1 | |
| 3 | 6E0-82316-00-94 | BRACKET, IGN COIL | 1 | |
| 4 | 6E0-82317-00-00 | DAMPER, IGNITION COIL | 2 | |
| 5 | 6E0-85570-12-00 | IGNITION COIL ASSEMBLY | 1 | |
| 6 | 97395-06030-00 | BOLT | 2 | |
| 7 | 92906-06600-00 | WASHER | 2 | |
| 8 | 97395-06010-00 | BOLT | 1 | |
| 9 | 6E0-85548-00-00 | HOLDER | 1 | |
| 10 | 6E0-85540-71-00 | C.D.I. UNIT ASSY | 1 | |
| 11 | 95895-06020-00 | BOLT, FLANGE | 2 | |

4MSHR 1993 / REPAIR KIT



©2014 Yamaha Motor Corporation, U.S.A. All rights reserved.


Part List

4MSHR 1993 / REPAIR KIT

| REF - NO | PART NUMBER | PART NAME | QUANTITY | REMARKS |
|----------|-----------------|------------------------------|----------|---------|
| 1 | 6E0-W0001-03-00 | PWR HEAD GSKT KIT | 1 | |
| 2 | 93210-42159-00 | .O-RING | 1 | |
| 3 | 93102-20M25-00 | .OIL SEAL | 1 | |
| 4 | 6E0-41112-A1-00 | .GASKET, EXHAUST INNER COVER | 1 | |
| 5 | 6E0-41114-A1-00 | .GASKET, EXHAUST OUTER COVER | 1 | |
| 6 | 6E0-11193-A1-00 | .GASKET, HEAD COVER 1 | 1 | |
| 7 | 93101-20M29-00 | .OIL SEAL | 1 | |
| 8 | 93101-10M25-00 | .OIL SEAL | 1 | |
| 9 | 93210-31114-00 | .O-RING | 1 | |
| 10 | 6E0-13621-A1-00 | .GASKET, VALVE SEAT | 1 | |
| 11 | 6E0-14198-A0-00 | .GASKET | 1 | |
| 12 | 6E0-14384-00-00 | .GASKET, FLOAT CHAMBER | 1 | |
| 13 | 6A1-14398-00-00 | .GASKET | 1 | |
| 14 | 6E0-45113-A1-00 | .GASKET, UPPER CASING | 1 | |
| 15 | 646-44365-00-00 | .DAMPER, WATER SEAL | 1 | |
| 16 | 6E0-W0093-02-00 | CARB REPAIR KIT | 1 | |
| 17 | 6E0-14198-A0-00 | .GASKET | 1 | |
| 18 | 6E0-14384-00-00 | .GASKET, FLOAT CHAMBER | 1 | |
| 19 | 98580-04016-00 | .SCREW, PAN HEAD | 1 | |
| 20 | 6A1-14398-00-00 | .GASKET | 1 | |
| 21 | 6E7-14385-00-00 | .FLOAT | 1 | |
| 22 | 647-14386-10-00 | .PIN, FLOAT | 1 | |
| 23 | 6G8-14392-00-00 | .VALVE, NEEDLE | 1 | |
| 24 | 6E0-14227-00-00 | .GASKET | 1 | |
| 25 | 647-14323-00-00 | .SCREW, AIR ADJUSTING | 1 | |
| 26 | 6E0-24471-00-00 | .DIAPHRAGM | 1 | |
| 27 | 6E0-24411-00-00 | .DIAPHRAGM | 1 | |
| 28 | 6E0-W0001-21-00 | LOWER UNIT GASKET KIT | 1 | |
| 29 | 93101-10M14-00 | .OIL SEAL | 2 | |
| 30 | 90430-08020-00 | .GASKET | 3 | |
| 31 | 6E0-45315-A0-00 | .PACKING, LOWER CASING | 1 | |
| 32 | 6E0-44315-A0-00 | .GASKET, WATER PUMP | 1 | |
| 33 | 93101-13M12-00 | .OIL SEAL | 2 | |
| 34 | 93210-48214-00 | .O-RING | 1 | |
| 35 | 6E0-W0078-02-00 | WATER PUMP REPAIR KIT | 1 | |
| 36 | 6E0-44311-00-00 | .HOUSING, WATER PUMP | 1 | |
| 37 | 6E0-44315-A0-00 | .GASKET, WATER PUMP | 1 | |
| 38 | 6E0-44322-02-00 | .INSERT, CARTRIDGE | 1 | |
| 39 | 6E0-44323-00-00 | .OUTER PLATE, CARTRIDGE | 1 | |
| 40 | 6E0-44366-00-00 | .DAMPER, WATER SEAL 2 | 1 | |
| 41 | 6E0-44352-00-00 | .IMPELLER | 1 | |
| 42 | 97395-06045-00 | .BOLT, HEXAGON | 4 | |
| 43 | 93604-09066-00 | .PIN, DOWEL | 1 | |
| 44 | 6E0-W0078-0A-00 | CHROME PUMP KIT | 1 | |
| 45 | 6E0-44322-40-00 | .INSERT, CARTRIDGE | 1 | |
| 46 | 6E0-44323-40-00 | .OUTER PLATE, CARTRIDGE | 1 | |

Part Notes

4MSHR 1993 / REPAIR KIT

| PART NUMBER | NOTE TEXT |
|--|--|
| 90430-08020-00  | OEM: This part number is among the Top 100 Most Popular Marine Maintenance Parts as of March 2014. |

©2014 Yamaha Motor Corporation, U.S.A. All rights reserved.

©2014 Yamaha Motor Corporation, U.S.A. All rights reserved.