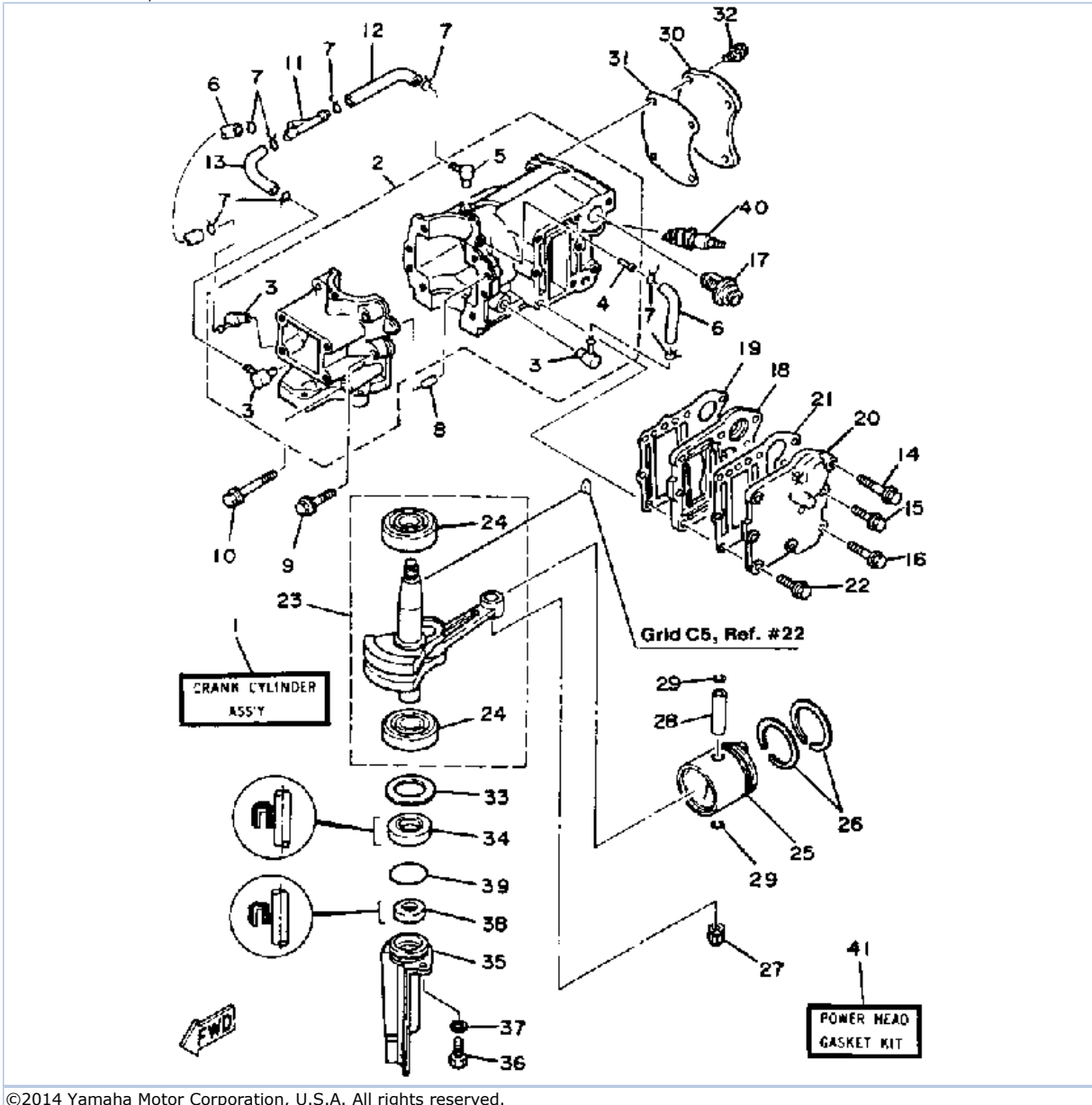


4LK 1985 / CRANKCASE CYLINDER PISTON



©2014 Yamaha Motor Corporation, U.S.A. All rights reserved.


Part List

4LK 1985 / CRANKCASE CYLINDER PISTON

REF - NO	PART NUMBER	PART NAME	QUANTITY	REMARKS
1	6E0-W0090-04-EK	CRANK- CYLINDER.ASSEMBLY.	1	
2	6E0-15100-01-94	CRANKCASE ASSEMBLY	1	
3	650-11370-00-00	CHECK VALVE ASSY	3	
4	624-14485-00-00	.PIPE, JOINT	1	
5	6E5-11372-00-00	.NIPPLE, HOSE	1	
6	90445-07M28-00	.HOSE (L70)	2	
7	90467-06016-00	CLIP	8	
8	93606-12019-00	.PIN, DOWEL	2	
9	90105-06M16-00	BOLT, FLANGE	4	
10	90105-06M17-00	BOLT, FLANGE	2	
11	6E0-24378-00-00	PIPE, JOINT 3	1	
12	90445-07M32-00	HOSE (L120)	1	
13	90445-07M00-00	HOSE (L100)	1	
14	95895-06025-00	BOLT, FLANGE	1	
15	90105-06M16-00	BOLT, FLANGE	1	
16	90105-06M14-00	BOLT FLANGE	1	
17	677-12411-00-00	THERMOSTAT	1	
18	6E0-41111-01-9M	EXHAUST INNER COVER	1	
19	6E0-41112-A1-00	GASKET, EXHAUST INNER COVER	1	
20	6E0-41113-01-9M	EXHAUST OUTER CVR.	1	
21	6E0-41114-01-00	GASKET, EXH.COVER	1	
22	95895-06025-00	BOLT, FLANGE	6	
23	6E0-11400-00-00	CRANKSHAFT ASSEMBLY	1	
24	93306-204U0-00	.BEARING	2	
25	6E0-11631-00-98	PISTON (STD)	1	
26	6G1-11610-00-00	PISTON RINGSET (STD)	1	
27	93310-112V0-00	BEARING	1	
28	527-11633-00-00	PIN, PISTON	1	
29	93450-13022-00	CIRCLIP	2	
30	6E0-11191-01-9M	COVER, CYLINDER HEAD 1	1	
31	6E0-11193-A1-00	GASKET, HEAD COVER 1	1	
32	90105-06M14-00	BOLT FLANGE	4	
33	676-45567-00-09	SHIM, GEAR ADJUSTING. 0.9	1	
34	93101-20M29-00	OIL SEAL	1	
35	6E0-15396-03-5B	HOUSING, OIL SEAL	1	
36	97395-06016-00	BOLT, HEX	1	
37	92990-06600-00	WASHER, PLATE	1	
38	93101-10M25-00	OIL SEAL	1	
39	93210-31114-00	O-RING	1	
40	NGK-B7HS0-00-00	NGK SPARK PLUG B7HS	1	
41	6E0-W0001-01-00	POWER HEAD GASKET KIT	1	SEE NOTE

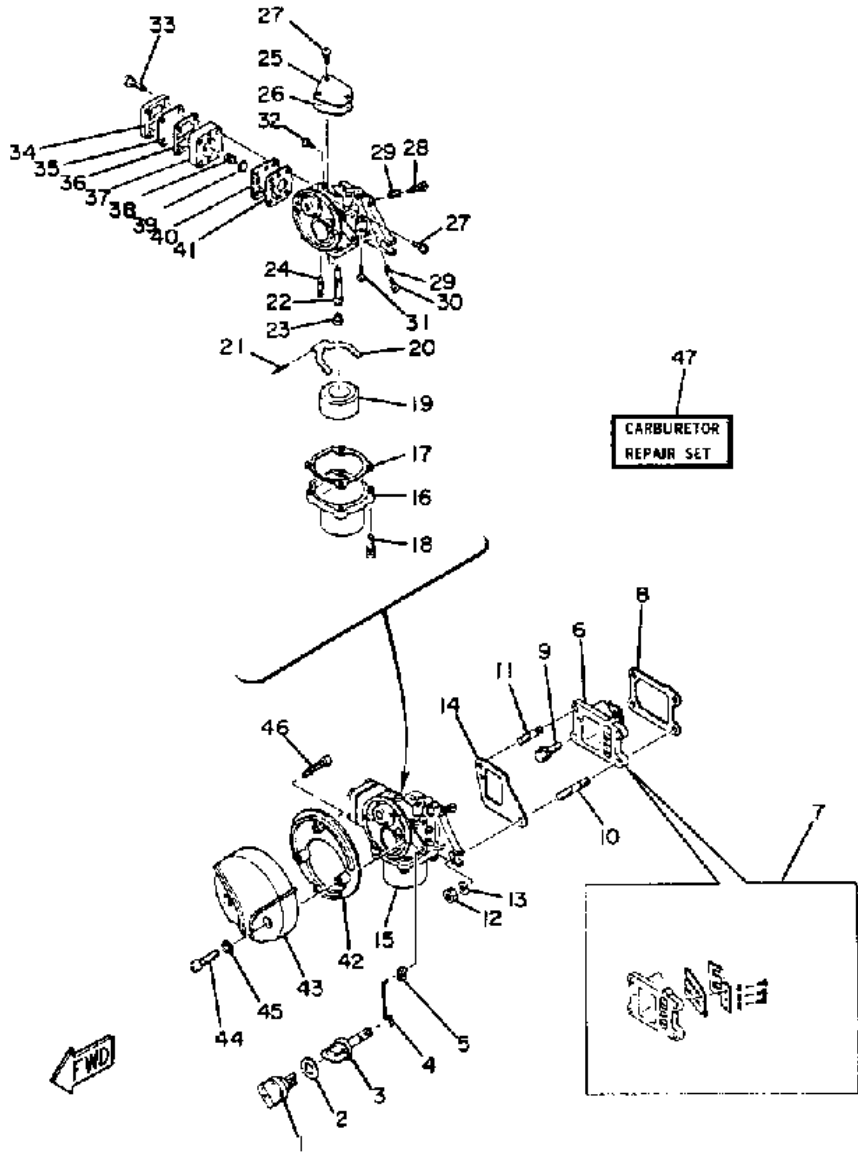
Part Notes

4LK 1985 / CRANKCASE CYLINDER PISTON

PART NUMBER	NOTE TEXT
92990-06600-00 	OEM: This part number is among the Top 100 Most Popular Marine Maintenance Parts as of March 2014.

©2014 Yamaha Motor Corporation, U.S.A. All rights reserved.

4LK 1985 / INTAKE



©2014 Yamaha Motor Corporation, U.S.A. All rights reserved.


Part List

4LK 1985 / INTAKE

REF - NO	PART NUMBER	PART NAME	QUANTITY	REMARKS
1	6E0-41271-00-00	KNOB, CHOKE	1	
2	90202-12M16-00	WASHER, PLATE	1	
3	6E0-41272-00-00	KNOB, CHOKE	1	
4	6E0-41256-00-00	ROD, CHOKE 1	1	
5	661-41262-02-00	JOINT, CHOKE LEVER	1	
6	6E0-13610-00-00	REED VALVE ASSY	1	
7	6E0-W0004-00-00	.REED SET	1	
8	6E0-13621-A1-00	GASKET, VALVE SEAT	1	
9	90105-06M14-00	BOLT FLANGE	2	
10	95622-06325-00	BOLT, STUD	1	
11	90116-06M08-00	BOLT, STUD	1	
12	95380-06700-00	NUT	2	
13	92990-06600-00	WASHER, PLATE	2	
14	6E0-14198-A0-00	GASKET	1	
15	6E0-14301-03-00	CARB. ASSEMBLY 1	1	
16	(6E0-14381-70-00)	BODY, FLOAT CHAMBER	1	
17	654-14384-00-00	GASKET, FLOAT CHMBR	1	
18	98580-04016-00	SCREW, PAN HEAD	4	
19	647-14385-00-00	FLOAT	1	
20	(6E0-14387-00-00)	ARM, DIAPHRAGM	1	
21	647-14386-10-00	PIN, FLOAT	1	
22	6E0-14341-01-00	NOZZLE, MAIN	1	
23	648-14343-40-00	.JET, MAIN (# 80)	1	
24	6E0-14392-00-00	VALVE, NEEDLE	1	
25	6E0-14157-00-00	.COVER, PLATE	1	
26	6E0-14227-00-00	GASKET	1	
27	(97803-04007-00)	SCREW, PAN HEAD	4	
28	647-14323-00-00	SCREW, AIR ADJUSTING	1	
29	646-14212-01-00	SPRING, PILOT ADJUSTING	2	
30	98503-04014-00	SCREW, PAN HEAD	1	
31	648-14342-23-00	JET, PILOT #XX	1	
32	647-14326-00-00	.SCREW, GUIDE	1	
33	98511-04020-00	SCREW, PAN HEAD	1	
34	6E0-24413-00-00	.COVER	1	
35	6E0-24471-00-00	DIAPHRAGM	1	
36	6E0-24435-00-00	.GASKET, BODY 2	1	
37	6E0-24412-00-00	.BODY 1	1	
38	6E0-24423-00-00	.SPRING, DIAPHRAGM	1	
39	6E0-14346-00-00	.PLATE	1	
40	6E0-24411-00-00	DIAPHRAGM	1	
41	6E0-24434-00-00	.GASKET, BODY	1	
42	6E0-14417-00-00	COVER 1	1	
43	6E0-14418-00-00	COVER 2	1	
44	98503-05025-00	SCREW, PAN HEAD	2	
45	92990-05600-00	WASHER, PLATE	2	
46	97780-40720-00	SCREW, TAPPING	1	
47	6E0-W0093-00-00	CARBURETOR REPAIR KIT	1	SEE NOTE

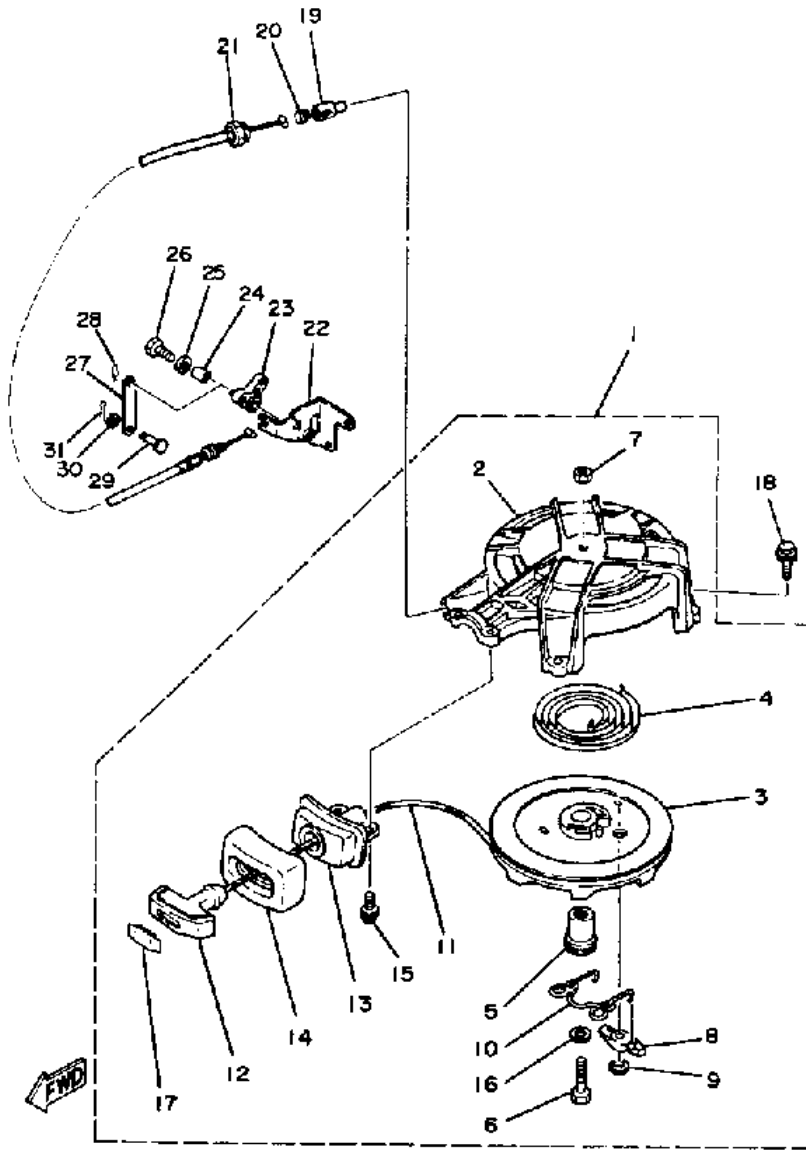
Part Notes

4LK 1985 / INTAKE

PART NUMBER	NOTE TEXT
92990-06600-00 	OEM: This part number is among the Top 100 Most Popular Marine Maintenance Parts as of March 2014.

©2014 Yamaha Motor Corporation, U.S.A. All rights reserved.

4LK 1985 / MANUAL STARTER



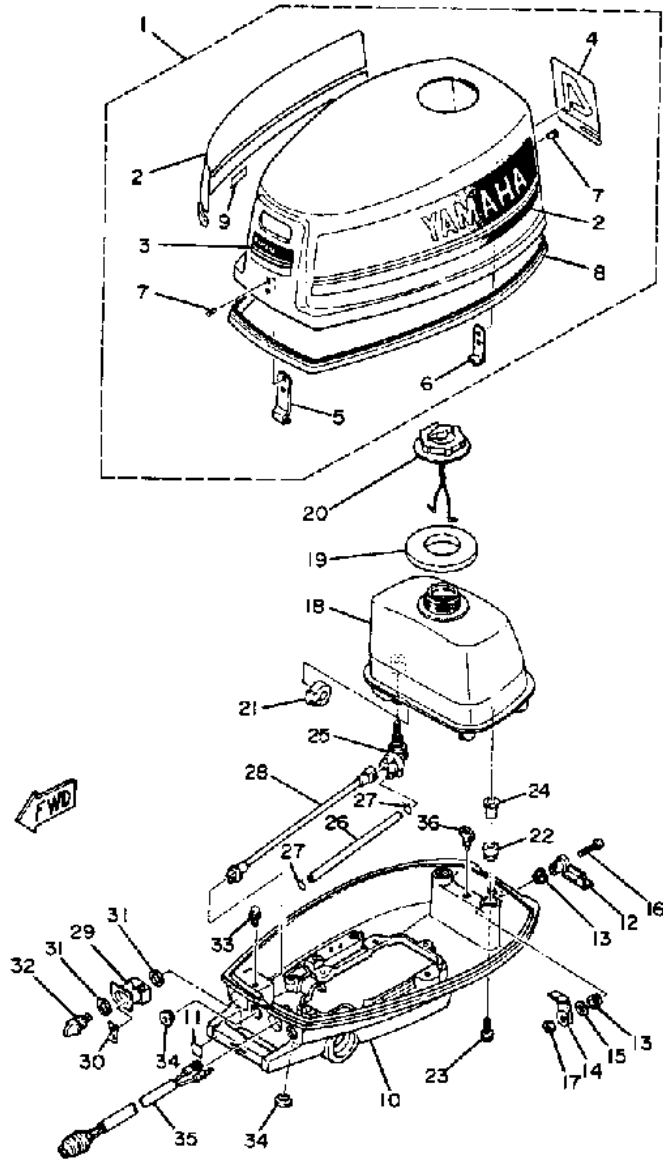
©2014 Yamaha Motor Corporation, U.S.A. All rights reserved.

Part List

4LK 1985 / MANUAL STARTER

REF - NO	PART NUMBER	PART NAME	QUANTITY	REMARKS
1	6E4-15710-73-94	STARTER ASSY	1	
2	6E4-15711-71-94	.CASE, STARTER	1	
3	6E0-15714-01-00	.DRUM, SHEAVE	1	
4	90510-08M03-00	.SPRING, SPIRAL	1	
5	6E0-15717-00-00	.SHAFT, STARTER	1	
6	97013-06035-00	BOLT	1	
7	95380-06600-00	NUT, HEXAGON	1	
8	677-15741-01-00	.PAWL, DRIVE	1	
9	93430-06M02-00	.CIRCLIP	1	
10	6E0-15705-00-00	.SPRING, DRIVE PAWL	1	
11	90580-40M02-00	ROPE, STARTER	1	
12	6G1-15755-00-00	.HANDLE, STARTER	1	
13	6E0-15758-01-00	GUIDE, ROPE	1	
14	6E0-15761-00-00	.SEAL, RUBBER 1	1	
15	90105-06M14-00	BOLT FLANGE	2	
16	90201-06M30-00	WASHER, PLATE	1	
17	689-15779-01-00	COVER	1	
18	90105-06M15-00	BOLT, FLANGE	3	
19	656-15748-00-00	PLUNGER, STARTER STOP	1	
20	90501-10227-00	SPRING, COMPRESSION	1	
21	6E4-15770-70-00	CABLE COMP., STARTER STOP	1	
22	6E0-15772-70-00	STAY 2	1	
23	6E4-15746-70-00	ARM	1	
24	90387-06504-00	COLLAR	1	
25	90201-06M08-00	WASHER, PLATE	1	
26	97313-06020-00	BOLT, HEXAGON	1	
27	6E4-15747-70-00	LINK	1	
28	90468-10005-00	CLIP	1	
29	91790-05010-00	PIN, CLEVIS	1	
30	90202-05088-00	WASHER, PLATE	1	
31	91490-16010-00	PIN. COTTER	1	

4LK 1985 / COWLING FUEL



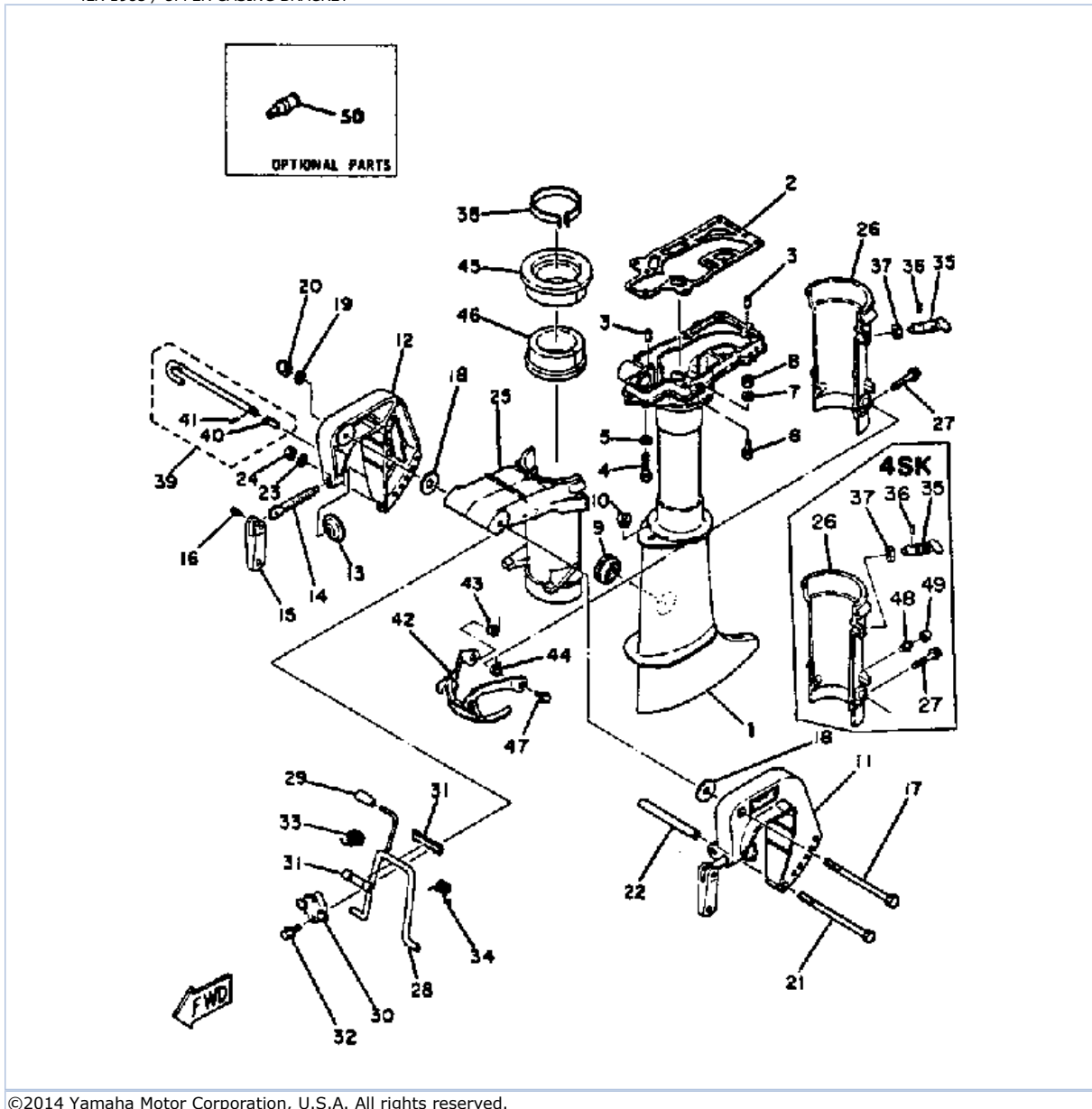
©2014 Yamaha Motor Corporation, U.S.A. All rights reserved.

Part List

4LK 1985 / COWLING FUEL

REF - NO	PART NUMBER	PART NAME	QUANTITY	REMARKS
1	6E0-42610-13-EK	TOP COWLING ASSEMBLY	1	
2	6E0-W0070-23-00	GRAPHIC SET	1	
3	662-42677-02-00	GRAPHIC, FRONT	1	
4	6E0-42678-10-00	GRAPHIC, REAR	1	
5	6E0-42651-02-00	.HOOK	1	
6	6E0-42647-01-00	.HOLDER, CLAMP BAND	1	
7	90266-04M00-00	.RIVET	4	
8	6E0-42615-00-00	.SEAL	1	
9	6E0-44191-10-00	INDICATOR, SHIFT	1	
10	6E0-42711-02-EK	BOTTOM COWLING	1	
11	(6A1-42792-00-00)	MARK 2	1	
12	6E0-42815-00-EK	LEVER, CLAMP 1	1	
13	90386-12069-00	BUSH	2	
14	6E0-42816-00-00	LEVER, CLAMP	1	
15	90206-12052-00	WASHER, WAVE	1	
16	98580-06030-00	.SCREW, PAN HEAD	1	
17	95380-06700-00	NUT	1	
18	6E0-24110-00-EK	FUEL TANK	1	
19	6E0-24641-00-00	GASKET, CAP 1	1	
20	6E0-24610-02-00	CAP ASSY	1	
21	6E0-24181-00-00	DAMPER, LOCATING 1	2	
22	6E0-24182-00-00	DAMPER, LOCATING 2	2	
23	95895-06025-00	BOLT, FLANGE	2	
24	6E0-42542-00-00	PIPE	2	
25	6E0-24500-00-00	FUEL COCK ASSEMBLY 1	1	
26	90445-09M37-00	HOSE (L240)	1	
27	90467-08004-00	CLIP	2	
28	6E0-24572-00-00	SHAF2, FUEL CHANGE	1	
29	6E0-24571-00-00	BUSHING	1	
30	6E0-24591-00-00	GRAPHIC, CHANGE LEV	1	
31	90202-12M17-00	WASHER, PLATE	2	
32	6E0-24575-01-00	LEVER, FUEL CHANGE	1	
33	90105-06M15-00	BOLT, FLANGE	1	
34	90480-14M14-00	GROMMET	2	
35	6E0-82550-00-00	STOP SWITCH ASSEMBLY	1	
36	606-42591-00-00	HOLDER SHARE PIN	1	

4LK 1985 / UPPER CASING BRACKET



©2014 Yamaha Motor Corporation, U.S.A. All rights reserved.



Part List

4LK 1985 / UPPER CASING BRACKET

REF - NO	PART NUMBER	PART NAME	QUANTITY	REMARKS
1	(6E0-45111-01-EK)	CASING, UPPER	1	U.R. SHORT
1	6E0-45111-11-EK	CASING, UPPER	1	U.R. LONG(NOT SHOWN)
2	6E0-45113-A1-00	GASKET, UPPER CASING	1	
3	93606-12019-00	.PIN, DOWEL	2	
4	97395-06030-00	BOLT	7	
5	92990-06600-00	WASHER, PLATE	7	
6	97395-06016-00	BOLT, HEX	4	
7	92990-06600-00	WASHER, PLATE	4	
8	95380-06700-00	NUT	4	
9	647-45151-01-00	COVER, UPPER CASING	1	
10	90480-10M13-00	GROMMET	1	
11	99999-01762-00	BRACKET, CLAMP	1	
12	6E0-43112-09-EK	BRACKET, CLAMP	1	
13	648-43114-01-00	PAD, TRANSOM CLAMP	2	
14	6E0-43116-01-00	SCREW, TRANSOM CLAMP	2	
15	6E0-43118-00-00	HANDLE, TRANSOM CLP	2	
16	90254-04M00-00	PIN, SPRING TYPE	2	
17	90101-08M68-00	BOLT	1	
18	90201-08M00-00	WASHER, PLATE	2	
19	92990-08600-00	..WASHER, PLATE	1	
20	95780-08300-00	..NUT, FLANGE	1	
21	90101-06335-00	BOLT	1	
22	90387-06M11-00	COLLAR	1	
23	92990-06600-00	WASHER, PLATE	1	
24	95380-06600-00	NUT, HEXAGON	1	
25	99999-02007-00	BRACKET, SWIVEL 1	1	
26	6E0-43312-09-EK	BRACKET, SWIVEL 2	1	
27	95895-06035-00	BOLT, FLANGE	4	
28	6E0-43181-00-00	LEVER, TILT STOP	1	
29	6E0-43632-00-00	KNOB, TILT	1	
30	6E0-43313-00-94	BRACKET, SWIVEL 3	1	
31	620-43189-00-00	BUSHING	2	
32	95895-06020-00	BOLT, FLANGE	2	
33	90508-16020-00	SPRING, TORSION	1	
34	90508-16021-00	SPRING, TORSION	1	
35	6E0-42529-01-00	SCREW, FRICTION PI	1	
36	91690-20010-00	PIN, SPRING	1	
37	95380-08600-00	NUT	1	
38	6E0-42528-03-00	PLATE, FRICTION	1	
39	6E0-43160-01-00	TILT ROD ASSY	1	
40	689-43165-00-00	.PLATE, TILT LOCK	1	
41	91690-30008-00	.PIN, SPRING	1	
42	6E0-43614-00-5B	PLATE, TILT LOCK	1	
43	90508-14M10-00	SPRING, TORSION	1	
44	90508-14M11-00	SPRING, TORSION	1	
45	6E0-42537-01-00	BUSHING, PIVOT SHAFT	1	
46	6E0-42538-01-00	BUSHING, PIV.SHFT 2	1	
47	95895-06010-00	BOLT, FLANGE	2	
48	93700-06M03-00	NIPPLE, GREASE	1	
49	663-45119-00-00	CAP, GREASE NIPPLE	1	
50	ABB-FLUSH-JD-00	JET DRIVE FLUSH	1	

Part Notes

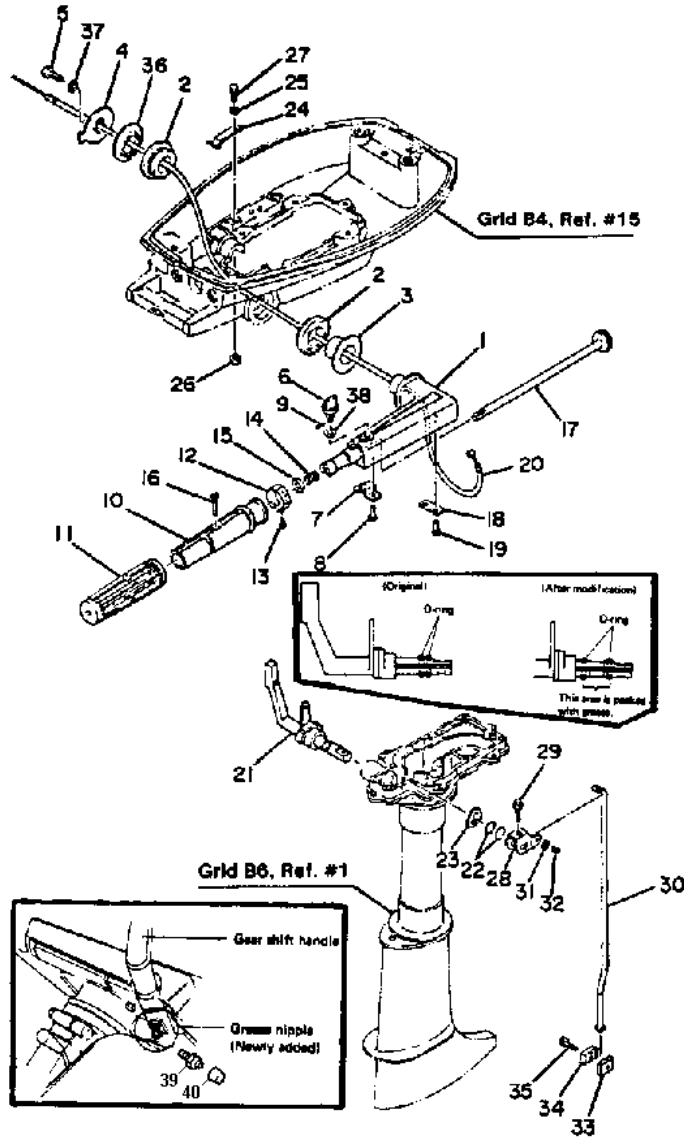
4LK 1985 / UPPER CASING BRACKET

PART NUMBER	NOTE TEXT
92990-06600-00 	OEM: This part number is among the Top 100 Most Popular Marine Maintenance Parts as of March 2014.
92990-06600-00 	OEM: This part number is among the Top 100 Most Popular Marine Maintenance Parts as of March 2014.
92990-06600-00	OEM: This part number is among the Top 100 Most Popular Marine Maintenance Parts as of March 2014.



©2014 Yamaha Motor Corporation, U.S.A. All rights reserved.

4LK 1985 / CONTROL ENGINE



©2014 Yamaha Motor Corporation, U.S.A. All rights reserved.


Part List

4LK 1985 / CONTROL ENGINE

REF - NO	PART NUMBER	PART NAME	QUANTITY	REMARKS
1	6E0-42111-02-EK	HANDLE, STEERING	1	
2	6E0-42129-02-00	BUSHING, RUBBER	2	
3	90386-26M30-00	BUSH	1	
4	6E0-42131-01-94	COVER, STEER HANDLE	1	
5	97313-05016-00	BOLT, HEXAGON	2	
6	6E0-42125-00-00	BOLT, FRICTION ADJUSTING	1	
7	6E0-42134-02-00	COVER, THROTTLE LEVER	1	
8	98580-05012-00	.SCREW, PAN HEAD	2	
9	91490-12012-00	PIN. COTTER	1	
10	6E0-42119-00-00	GRIP, STEERING HANDLE	1	
11	6E0-42177-00-00	RUBBER, HANDLE	1	
12	6E0-42137-10-00	INDICATOR, THROTTLE	1	
13	90269-02M09-00	RIVET	1	
14	90501-23215-00	SPRING, COMPRESSION	1	
15	90201-10119-00	WASHER, PLATE	1	
16	98680-05525-00	SCREW.OVAL HEAD	1	
17	6E0-42138-01-00	LEVER, THROTTLE	1	
18	6E0-42159-02-00	STAY	1	
19	98580-05012-00	.SCREW, PAN HEAD	2	
20	6E0-26301-01-00	THROTTLE CABLE ASSY	1	
21	6E4-44111-71-EK	HANDLE, GEAR SHIFT	1	
22	93210-12790-00	O-RING	2	
23	90206-16M06-00	WASHER, WAVE	1	
24	6E0-44116-00-00	SPRING	1	
25	92990-06600-00	WASHER, PLATE	1	
26	95380-06700-00	NUT	1	
27	97395-06012-00	BOLT	1	
28	6E0-44121-00-00	LEVER, SHIFT ROD	1	
29	95895-06025-00	BOLT, FLANGE	1	
30	6E0-44143-00-00	ROD, SHIFT	1	U.R. SHORT
30	6E0-44143-10-00	ROD, SHIFT	1	U.R. LONG(NOT SHOWN)
31	92990-05600-00	WASHER, PLATE	1	
32	91490-16010-00	PIN. COTTER	1	
33	6E0-44145-00-00	CONNECTOR, SHIFT ROD	1	
34	6E0-44146-00-00	CONNECTOR, SHIFT ROD	1	
35	95895-06020-00	BOLT, FLANGE	1	
36	90386-26M33-00	BUSH	1	
37	92990-05600-00	WASHER, PLATE	2	
38	90202-07M22-00	WASHER, PLATE	1	
39	93700-06M03-00	NIPPLE, GREASE	1	
40	663-45119-00-00	CAP, GREASE NIPPLE	1	

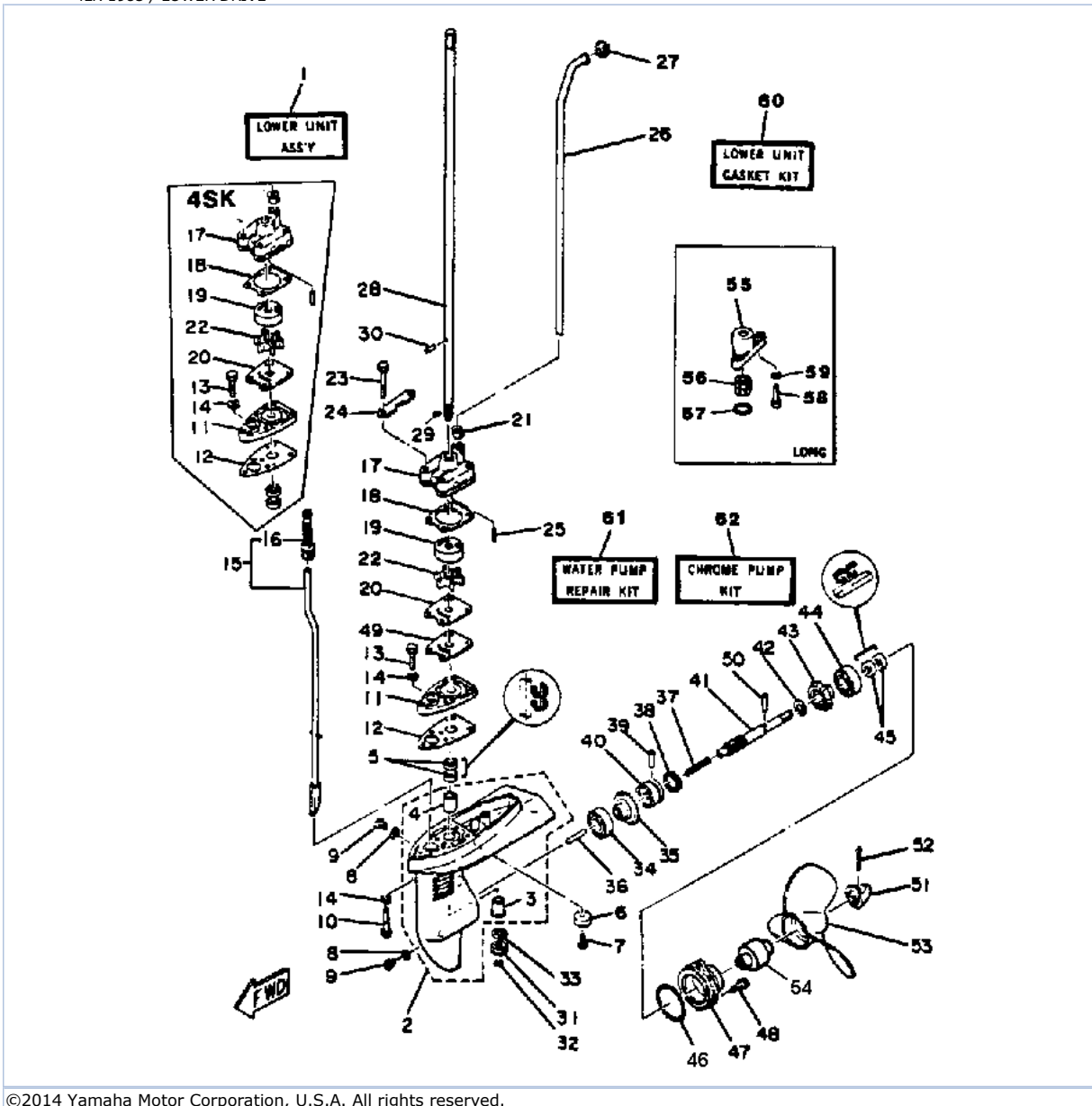
Part Notes

4LK 1985 / CONTROL ENGINE

PART NUMBER	NOTE TEXT
92990-06600-00 	OEM: This part number is among the Top 100 Most Popular Marine Maintenance Parts as of March 2014.

©2014 Yamaha Motor Corporation, U.S.A. All rights reserved.

4LK 1985 / LOWER DRIVE



©2014 Yamaha Motor Corporation, U.S.A. All rights reserved.

Part List



4LK 1985 / LOWER DRIVE

REF - NO	PART NUMBER	PART NAME	QUANTITY	REMARKS
1	6E0-45300-02-EK	LOWER UNIT ASSEMBLY	1	U.R.SHORT
1	6E0-45300-12-EK	LOWER UNIT ASSEMBLY	1	U.R. LONG(NOT SHOWN)
2	99999-02180-00	CASING, LOWER	1	
3	6E0-45317-09-00	.BUSHING, DRIVE SHAFT	1	
4	6E0-45316-09-00	.BUSHING, DRIVE SHAFT	1	
5	93101-10M25-00	OIL SEAL	2	
6	6G0-45251-00-00	ANODE	1	
7	90142-06M01-00	SCREW, COUNTERSUNK	1	
8	90430-08020-00	.GASKET	3	
9	90340-08M04-00	PLUG, STRAIGHT SCREW	3	
10	97395-06035-00	BOLT, HEXAGON	2	
11	6E0-45321-01-5B	PLATE	1	SEE NOTE
11	6E0-45321-00-00	PLATE	1	SEE NOTE
12	6E0-45315-00-00	PACKING, LOWER CASE	1	
13	97395-06025-00	BOLT	1	
14	92990-06600-00	WASHER, PLATE	3	
15	6E0-44150-00-00	SHIFT CAM ASSY	1	U.R. SHORT
15	6E0-44150-10-00	SHIFT CAM ASSY	1	U.R. LONG(NOT SHOWN)
16	6G1-44147-00-00	.BOOT, SHIFT ROD	1	
17	6E0-44311-00-00	HOUSING, WATER PUMP	1	
18	6E0-44315-00-00	GASKET, WATER PUMP	1	
19	6E0-44322-02-00	INSERT, CARTRIDGE	1	
19	6E0-44322-40-00	INSERT, CARTRIDGE	1	
20	6E0-44323-00-00	OUTER PLATE, CARTRIDGE	1	
20	6E0-44323-40-00	OUTER PLATE, CARTRIDGE	1	ALT.PART(NOT SHOWN)
21	6E0-44366-00-00	DAMPER, WATER SEAL 2	1	
22	6E0-44352-00-00	IMPELLER	1	
23	97395-06045-00	BOLT, HEXAGON	4	
24	6E0-44328-00-00	PLATE	2	
25	93604-18080-00	.PIN, DOWEL	2	
26	6E0-44361-00-00	TUBE, WATER	1	U.R. SHORT
26	6E0-44361-10-00	TUBE, WATER	1	U.R. LONG(NOT SHOWN)
27	646-44365-00-00	DAMPER, WATER SEAL	1	
28	6E0-45511-00-00	SHAFT, DRIVE (SHORT)	1	U.R. SHORT
28	6E0-45511-10-00	DRIVE SHAFT (LONG)	1	U.R. LONG(NOT SHOWN)
29	90467-08M01-00	CLIP	1	
30	93604-09066-00	PIN, DOWEL	1	
31	6E0-45551-00-00	PINION (13T)	1	
32	99009-06600-00	CIRCLIP	1	
33	90201-11M49-00	WASHER, PLATE	1	
34	93306-00426-00	BEARING	1	
35	6E0-45560-00-00	GEAR	1	
36	654-45635-00-00	PLUNGER, SHIFT	1	
37	90501-10064-00	SPRING, COMPRESSION	1	
38	654-45633-00-00	RING, CROSS PIN	1	
39	90250-05046-00	PIN, STRAIGHT	1	
40	6E0-45631-00-00	CLUTCH, DOG	1	
41	6E0-45611-00-00	SHAFT, PROPELLER	1	
42	90201-13M50-00	WASHER, PLATE	1	
43	6E0-45570-00-00	GEAR	1	
44	93306-004U0-00	BEARING	1	
45	93101-13M12-00	.OIL SEAL	2	
46	93210-48214-00	.O-RING	1	
47	6E0-45361-09-EK	CAP, LOWER CASING	1	
48	95895-06016-00	BOLT, FLANGE	2	
49	6E0-44316-00-00	GASKET, WATER PUMP	1	SEE NOTE
50	90250-05009-00	PIN, STRAIGHT	1	
51	647-45616-02-00	NUT, PROPELLER	1	
52	91490-30040-00	PIN, COTTER	1	
53	6E0-45943-00-EL	PROPELLER, ALUMINUM (7 X	1	

		7-12"-B)		
53	6E0-45941-00-EL	PROPELLER, ALUMINUM (8 X 7-1/2"-B)	1	
53	6E0-45945-00-EL	PROPELLER, ALUMINUM (7-1/4 X 7-1/2"-B)	1	
54	654-45981-00-00	DAMPER RUBBER PROP	1	
55	6E0-45331-00-5B	HOUSING, BEARING	1	LONG
56	6E0-45318-01-00	BUSHING, DRIVE SHAFT	1	LONG
57	93420-22M03-00	CIRCLIP	1	LONG
58	97890-05025-00	.SCREW, PAN HEAD	1	LONG
58	97890-05025-00	.SCREW, PAN HEAD	2	LONG
59	92990-05600-00	WASHER, PLATE	1	LONG
59	92990-05600-00	WASHER, PLATE	2	LONG
60	6E0-W0001-21-00	LOWER UNIT GASKET KIT	1	SEE NOTE
61	6E0-W0078-02-00	WATER PUMP REPAIR KIT	1	SEE NOTE
62	6E0-W0078-0A-00	CHROME PUMP KIT	1	SEE NOTE

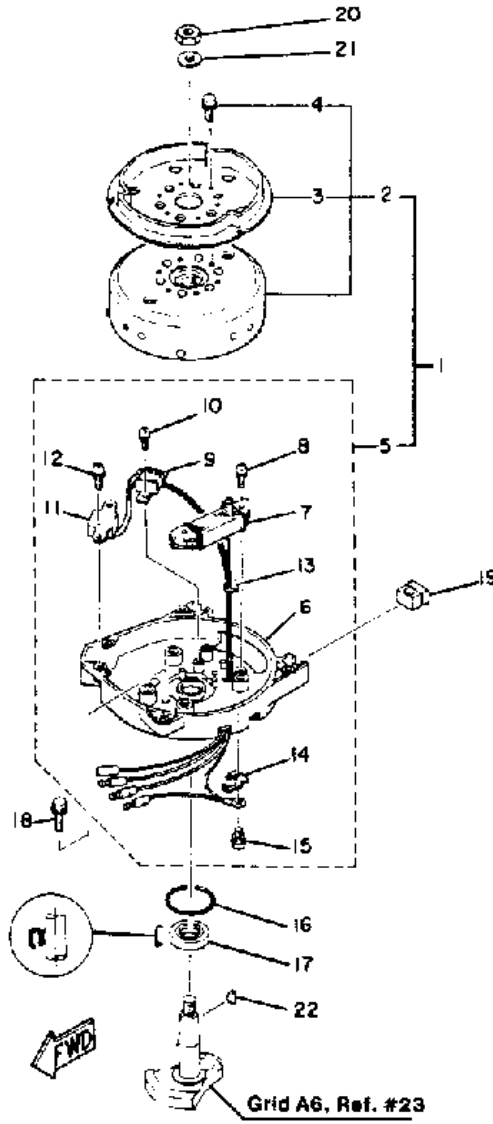
Part Notes

4LK 1985 / LOWER DRIVE

PART NUMBER		NOTE TEXT
90430-08020-00		OEM: This part number is among the Top 100 Most Popular Marine Maintenance Parts as of March 2014.
92990-06600-00		OEM: This part number is among the Top 100 Most Popular Marine Maintenance Parts as of March 2014.

©2014 Yamaha Motor Corporation, U.S.A. All rights reserved.

4LK 1985 / CDI MAGNETO



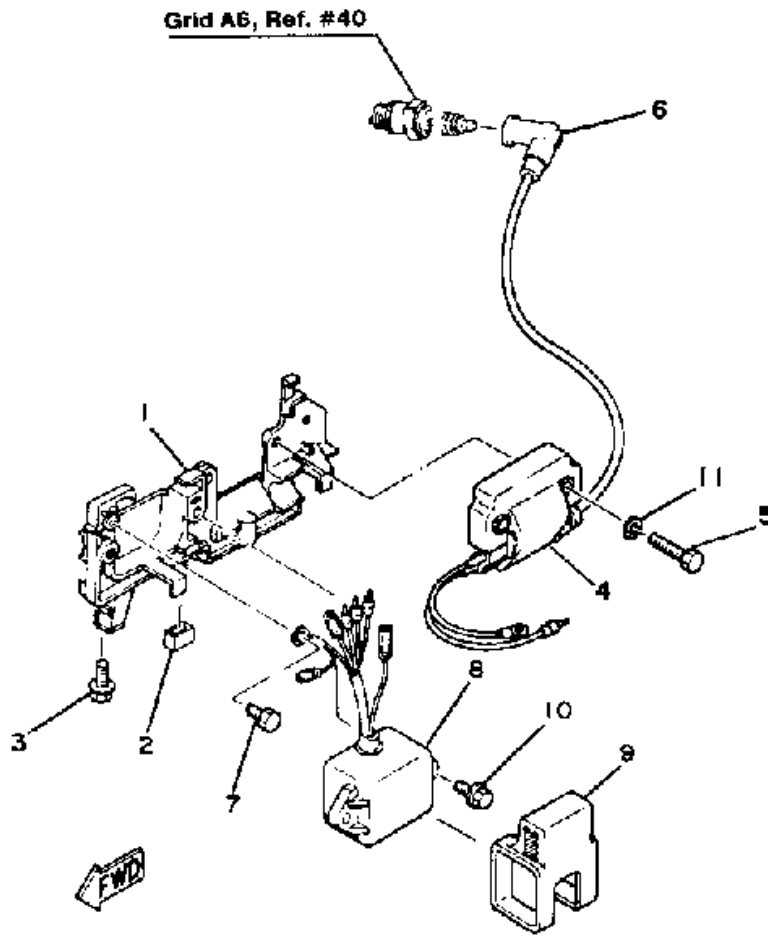
©2014 Yamaha Motor Corporation, U.S.A. All rights reserved.

Part List

4LK 1985 / CDI MAGNETO

REF - NO	PART NUMBER	PART NAME	QUANTITY	REMARKS
1	UNA-VAILA-BL-EI	TOOL	11	
2	(6E0-85550-70-00)	ROTOR ASSEMBLY	1	
3	6E0-15723-00-94	.PULLEY, STARTER	1	
4	90105-06M14-00	BOLT FLANGE	3	
5	6E0-85560-70-00	BASE ASSY	1	
6	6E0-15359-00-94	.HOUSING, OIL SEAL	1	
7	6E0-85520-70-00	.COIL, CHARGE	1	
8	90159-05038-00	SCREW, WITH WASHER	2	
9	6E0-85595-70-00	.COIL, PULSER	1	
10	90159-04036-00	.SCREW, WITH WASHER	2	
11	6E0-85592-70-00	.PULSER COIL ASSY	1	
12	90159-05037-00	.SCREW, WITH WASHER	2	
13	6E0-81336-70-00	.GROMMET	1	
14	6E0-81328-70-00	.CLAMP	1	
15	90159-04035-00	.SCREW, WITH WASHER	1	
16	93210-42159-00	.O-RING	1	
17	93102-20M25-00	OIL SEAL	1	
18	90105-06M16-00	BOLT, FLANGE	2	
19	6E0-24183-00-00	DAMPER, LOCATING 3	2	
20	90170-10113-00	NUT	1	
21	90201-102G9-00	WASHER, PLATE	1	
22	90280-04M06-00	KEY, WOODRUFF	1	

4LK 1985 / ELECTRIC PARTS



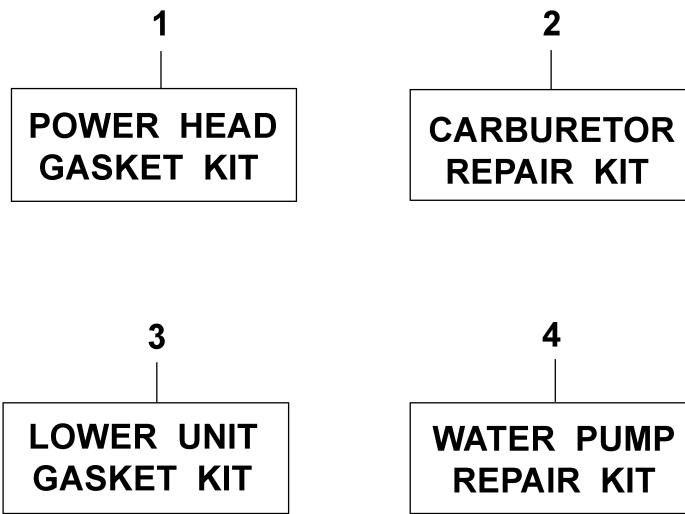
©2014 Yamaha Motor Corporation, U.S.A. All rights reserved.

Part List

4LK 1985 / ELECTRIC PARTS

REF - NO	PART NUMBER	PART NAME	QUANTITY	REMARKS
1	6E0-82316-00-94	BRACKET, IGN COIL	1	
2	6E0-82317-00-00	DAMPER, IGNITION COIL	2	
3	95895-06016-00	BOLT, FLANGE	2	
4	6E0-85570-11-00	IGNITION COIL ASSEMBLY	1	
5	97313-06030-00	BOLT	2	
6	663-82370-01-00	PLUG CAP ASSY	1	
7	97313-06010-00	BOLT, HEXAGON	1	
8	6E0-85540-71-00	C.D.I. UNIT ASSY	1	
9	6E0-85548-00-00	HOLDER	1	
10	90105-06M15-00	BOLT, FLANGE	2	
11	92995-06100-00	WASHER, SPRING	2	

4LK 1985 / REPAIR KIT

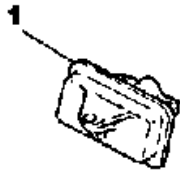
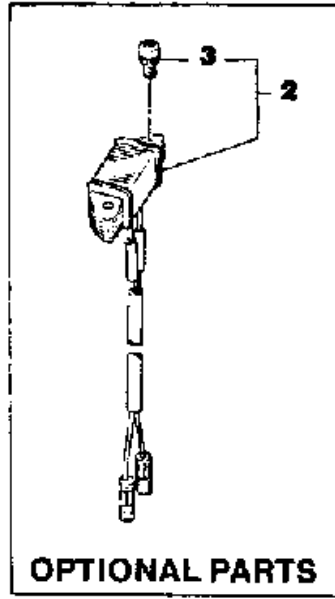


Part List

4LK 1985 / REPAIR KIT

REF - NO	PART NUMBER	PART NAME	QUANTITY	REMARKS
1	6E0-W0001-01-00	POWER HEAD GASKET KIT	1	
2	6E0-W0093-00-00	CARBURETOR REPAIR KIT	1	
3	6E0-W0001-21-00	LOWER UNIT GASKET KIT	1	
4	6E0-W0078-02-00	WATER PUMP REPAIR KIT	1	

4LK 1985 / OPTIONAL PARTS



©2014 Yamaha Motor Corporation, U.S.A. All rights reserved.

Part List

4LK 1985 / OPTIONAL PARTS

REF - NO	PART NUMBER	PART NAME	QUANTITY	REMARKS
1	6E0-15758-80-EK	VERTICAL STARTER	1	
2	6E0-81303-80-00	LIGHTING COIL ASSY	1	
3	90159-05040-00	.SCREW, WITH WASHER	1	

©2014 Yamaha Motor Corporation, U.S.A. All rights reserved.