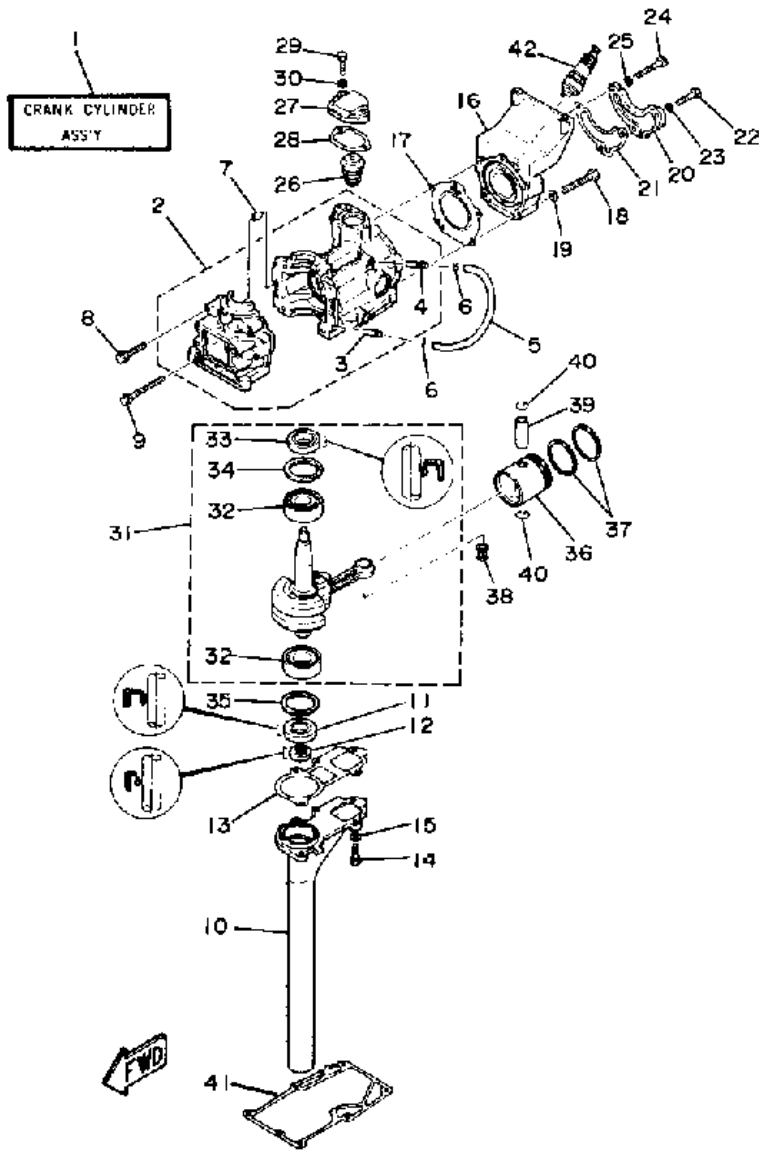


3SG 1988 / CRANKCASE CYLINDER PISTON



©2014 Yamaha Motor Corporation, U.S.A. All rights reserved.




Part List



3SG 1988 / CRANKCASE CYLINDER PISTON

REF - NO	PART NUMBER	PART NAME	QUANTITY	REMARKS
1	6L5-W0090-00-EK	CRANK-CYLINDER.ASSEMBLY. (REF. #2~41)	1	
2	6L5-15100-00-94	CRANKCASE ASSEMBLY	1	
3	624-14485-00-00	.PIPE, JOINT	1	
4	6E5-11372-00-00	.NIPPLE, HOSE	1	
5	90445-07M29-00	HOSE (L135)	1	
6	90467-06016-00	CLIP	2	
7	93606-12019-00	.PIN, DOWEL	2	
8	90105-06M16-00	BOLT, FLANGE	4	
9	90105-06M40-00	BOLT, FLANGE	2	
10	6L5-15396-00-94	HOUSING, OIL SEAL	1	
11	93101-20M29-00	OIL SEAL	1	
12	93101-09M42-00	.OIL SEAL	1	
13	6L5-15369-00-00	GASKET, O/SL HSNG HOUSING	1	
14	97395-06020-00	BOLT, HEXAGON	5	
15	92990-06600-00	WASHER, PLATE	5	
16	6L5-11111-00-94	HEAD, CYLINDER 1	1	
17	6L5-11181-A1-00	GASKET, CYLINDER HEAD 1	1	
18	97313-06028-00	BOLT	3	
19	92990-06600-00	WASHER, PLATE	3	
20	6L5-11191-00-9M	COVER, CYLINDER HEAD 1	1	
21	6L5-11193-00-00	GASKET, HD.COVER 1	1	
22	97313-06020-00	BOLT, HEXAGON	1	
23	92990-06600-00	WASHER, PLATE	1	
24	97313-06050-00	BOLT	2	
25	92990-06600-00	WASHER, PLATE	2	
26	6E5-12411-20-00	THERMOSTAT	1	
27	6L5-12413-00-9M	COVER, THERMOSTAT	1	
28	6L5-12414-A1-00	GASKET, COVER	1	
29	97313-06020-00	BOLT, HEXAGON	2	
30	92990-06600-00	WASHER, PLATE	2	
31	6L5-11400-00-00	CRANKSHAFT ASSY	1	
32	93306-204U0-00	.BEARING	2	
33	93101-20M29-00	OIL SEAL	1	
34	90201-32M00-00	WASHER, PLATE	1	
35	90201-32M01-00	WASHER, PLATE	1	
36	6L5-11631-00-96	PISTON (STD)	1	
36	6L5-11636-00-00	PISTON (0.50MM O/S)	1	
36	6L5-11635-00-00	PISTON (0.25MM O/S)	1	
37	6L5-11610-00-00	PISTON RING SET (STD)	1	
37	6L5-11610-20-00	PISTON RING SET (0.50MM O/S)	1	
37	6L5-11610-10-00	PISTON RING SET (0.25MM O/S)	1	
38	93310-112U0-00	BEARING	1	
39	6L5-11633-00-00	PIN, PISTON	1	
40	93450-13022-00	CIRCLIP	2	
41	6L5-45113-00-00	GASKET, UPPER CASIN	1	
42	NGK-B6HS1-00-00	PLUG SPARK (NGK B6HS-10)	1	

Part Notes

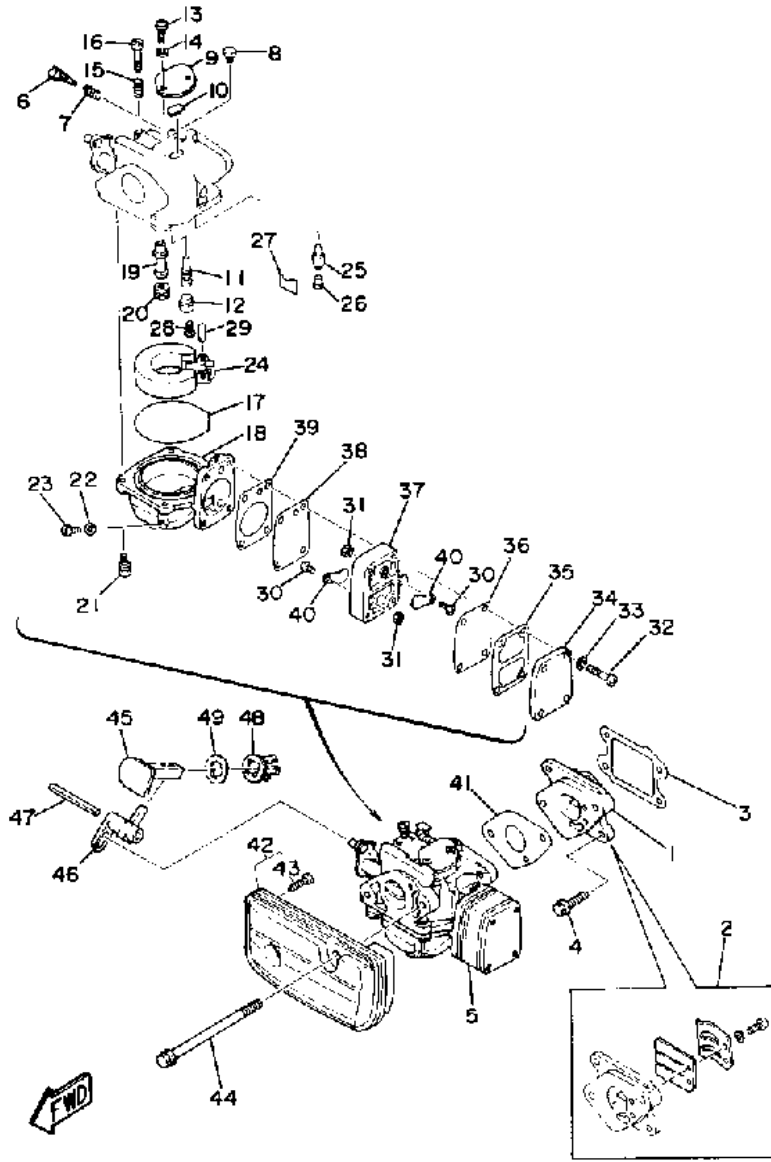
3SG 1988 / CRANKCASE CYLINDER PISTON

PART NUMBER		NOTE TEXT
92990-06600-00		OEM: This part number is among the Top 100 Most Popular Marine Maintenance Parts as of March 2014.
92990-06600-00		OEM: This part number is among the Top 100 Most Popular Marine Maintenance Parts as of March 2014.
92990-06600-00		OEM: This part number is among the Top 100 Most Popular Marine Maintenance Parts as of March 2014.
92990-06600-00		OEM: This part number is among the Top 100 Most Popular Marine Maintenance Parts as of March 2014.

		
92990-06600-00		OEM: This part number is among the Top 100 Most Popular Marine Maintenance Parts as of March 2014.

©2014 Yamaha Motor Corporation, U.S.A. All rights reserved.

3SG 1988 / INTAKE CARBURETOR



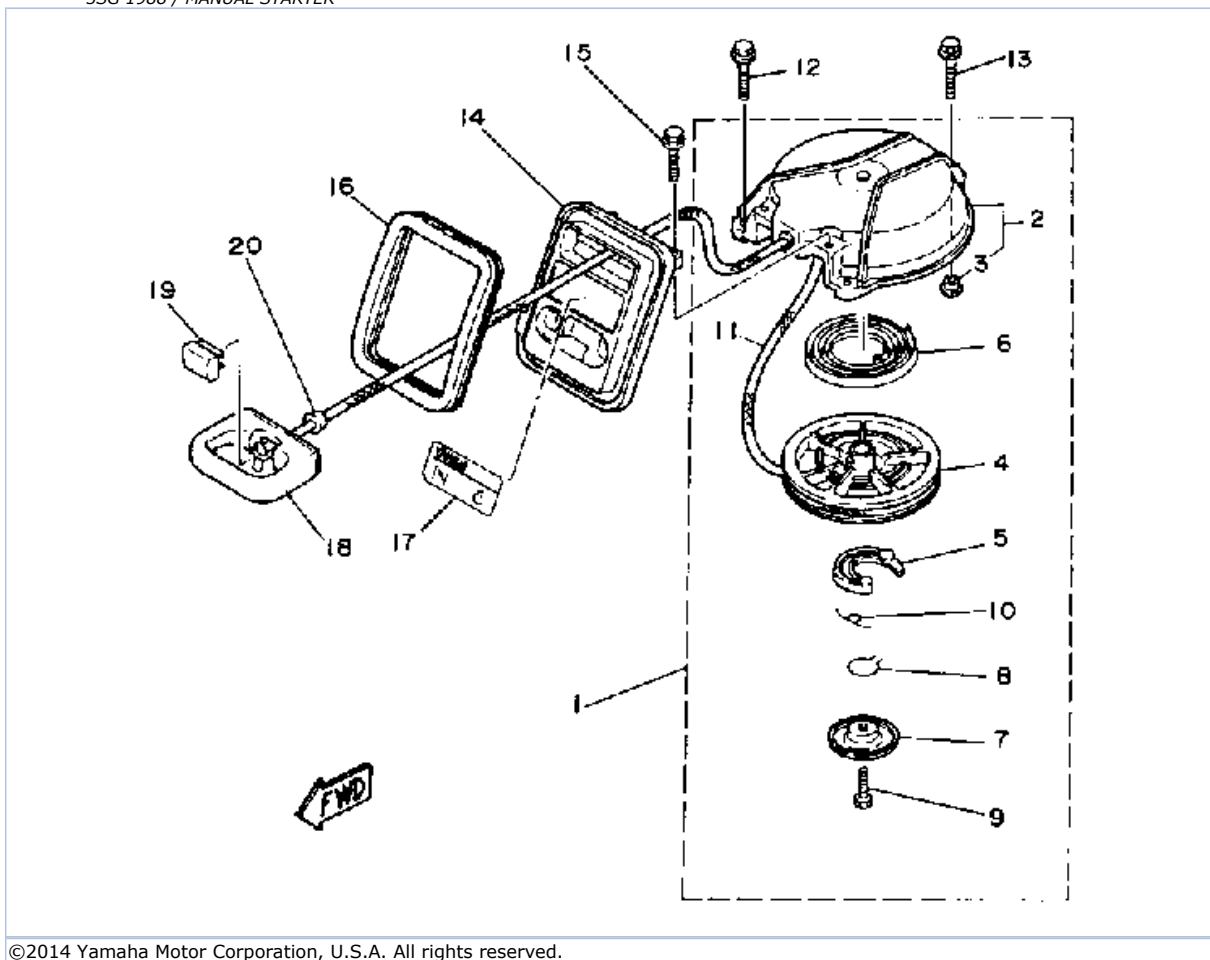
©2014 Yamaha Motor Corporation, U.S.A. All rights reserved.

Part List

3SG 1988 / INTAKE CARBURETOR

REF - NO	PART NUMBER	PART NAME	QUANTITY	REMARKS
1	6L5-13610-00-00	REED VALVE ASSEMBLY	1	
2	6L5-W0004-01-00	REED SET	1	
3	6L5-13621-00-00	GASKET, VALVE SEAT	1	
4	90105-06M14-00	BOLT FLANGE	2	
5	6L5-14301-01-00	CARBURETOR ASSEMBLY 1	1	
6	679-14923-00-00	SCREW, PILOT	1	
7	679-14555-00-00	.SPRING	1	
8	6G1-14966-00-00	CAP	1	
9	6G1-14527-00-00	.PLATE	1	
10	6G1-14126-00-00	GASKET	1	
11	6L5-14948-03-00	.JET (#40)	1	
12	676-14966-00-00	CAP	1	
13	(97803-04010-00)	SCREW, PAN HEAD	2	
14	92901-04100-00	WASHER, SPRING	2	
15	90501-10326-00	.SPRING, COMPRESSION	1	
16	663-14523-00-00	SCREW, STOP	1	
17	6G1-14984-00-00	O-RING	1	
18	6G1-14980-01-00	.BODY, FLOAT CHAMBER	1	
19	6L5-14947-01-00	.JET, NEEDLE	1	
20	676-14943-14-00	.JET, MAIN (#68)	1	
21	97980-04114-00	.SCREW, WITH WASHER	4	
22	6G1-14398-00-00	.WASHER	1	
23	6G1-14992-00-00	.SCREW, DRAIN	1	
24	6G1-14985-00-00	FLOAT	1	
25	6G1-14546-00-00	VALVE, NEEDLE	1	
26	676-14186-00-00	PIN, FLOAT	1	
27	663-14159-00-00	.CLIP	1	
28	98580-04008-00	.SCREW, PAN HEAD	1	
29	688-14548-00-00	PIN, FLOAT ARM	1	
30	98902-03006-00	.SCREW, BIND	2	
31	90179-03478-00	NUT, SPECIAL SHAPE 0 2	2	
32	98580-04025-00	SCREW, PAN HEAD	4	
33	92901-04100-00	WASHER, SPRING	4	
34	6G1-24452-00-00	.COVER	1	
35	6G1-24432-00-00	.GASKET, FUEL PUMP 2	1	
36	6G1-24471-00-00	.DIAPHRAGM	1	
37	6G1-24412-00-00	BODY 1	1	
38	6G1-24411-00-00	.DIAPHRAGM	1	
39	6G1-24431-00-00	GASKET, FUEL PUMP 1	1	
40	6G1-24421-00-00	.VALVE, CHECK	2	
41	6L5-14198-A1-00	GASKET	1	
42	6L5-14440-00-00	SILENCER ASSY, INTAKE	1	
43	97780-40716-00	.SCREW, TAPPING	3	
44	90105-06M39-00	BOLT, WASHER BASED	2	
45	6L5-41271-00-00	KNOB, CHOKE	1	
46	6L5-41252-00-00	LEVER, CHOKE 1	1	
47	91690-40048-00	PIN, SPRING	1	
48	689-41273-00-00	GROMMET	1	
49	6J8-41274-00-00	GROMMET 2	1	

3SG 1988 / MANUAL STARTER



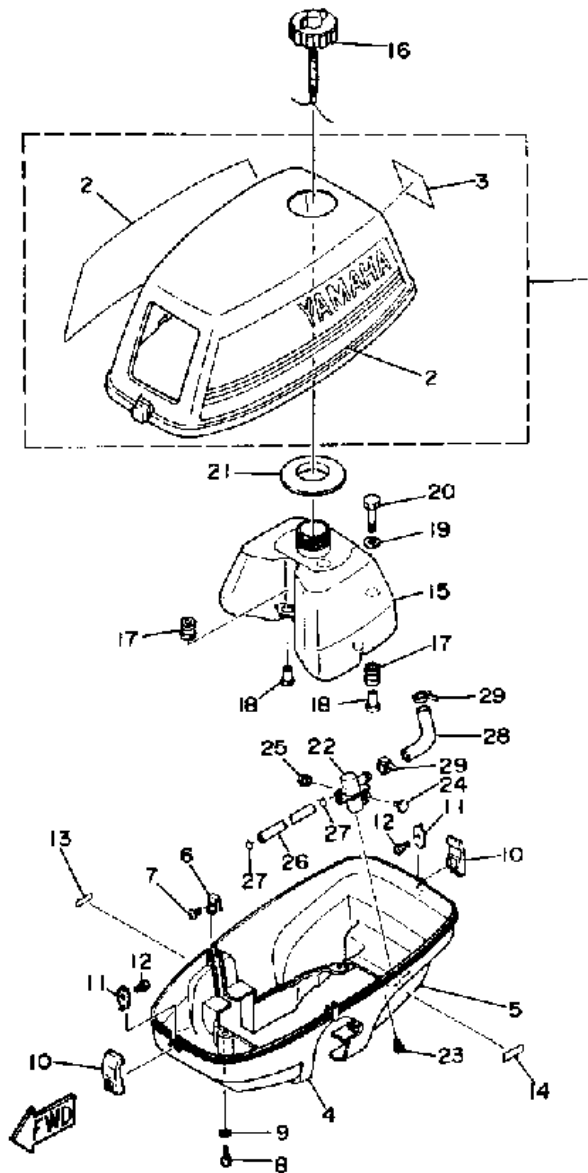
©2014 Yamaha Motor Corporation, U.S.A. All rights reserved.

Part List

3SG 1988 / MANUAL STARTER

REF - NO	PART NUMBER	PART NAME	QUANTITY	REMARKS
1	6L5-15710-00-00	STARTER ASSY	1	
2	6L5-15711-00-00	.CASE, STARTER	1	
3	90387-06M70-00	COLLAR	1	
4	6L5-15714-00-00	.DRUM, SHEAVE	1	
5	6L5-15741-00-00	.PAWL, DRIVE	1	
6	6L5-15713-00-00	.SPRING, STARTER	1	
7	6L5-15716-00-00	.PLATE, DRIVE	1	
8	6A1-15705-00-00	.SPRING, DRIVE PAWL	1	
9	97013-06012-00	BOLT	1	
10	6A1-15767-00-00	.SPRING	1	
11	90580-50M01-00	ROPE, STARTER	1	
12	90105-06M15-00	BOLT, FLANGE	2	
13	90105-06M16-00	BOLT, FLANGE	1	
14	6L5-15758-00-98	GUIDE, ROPE	1	
15	90105-06M14-00	BOLT FLANGE	2	
16	6L5-15761-00-00	SEAL, RUBBER 1	1	
17	6L5-42677-00-00	GRAPHIC, FRONT	1	
18	6L5-15755-00-00	HANDLE, STARTER	1	
19	6L5-15779-00-00	COVER	1	
20	6L5-15789-00-00	DAMPER	1	

3SG 1988 / COWLING FUEL



©2014 Yamaha Motor Corporation, U.S.A. All rights reserved.


Part List

3SG 1988 / COWLING FUEL

REF - NO	PART NUMBER	PART NAME	QUANTITY	REMARKS
1	6L5-42610-11-00	TOP COWLING ASSEMBLY	1	
2	6L5-W0070-10-00	GRAPHIC SET	1	
3	6L5-42678-10-00	GRAPHIC, REAR	1	
4	6L5-42711-10-00	BOTTOM COWLING	1	
5	6L5-42712-11-00	COWLING, BOTTOM	1	
6	6L5-42774-00-00	STAY, APRON 1	2	
7	98580-05010-00	.SCREW, PAN HEAD	2	
8	97395-06016-00	BOLT, HEX	4	
9	92990-06600-00	WASHER, PLATE	4	
10	6L5-42647-00-00	HOLDER, CLAMP BAND	2	
11	6L5-42823-00-00	PLATE, STOP	2	
12	90167-03M02-00	SCREW, TAPPING	2	
13	6L5-44191-00-00	INDICATOR, SHIFT	1	
14	6L5-24591-00-00	EMBLEM, FUEL COCK	1	
15	6L5-24111-01-00	FUEL TANK	1	
16	6L5-24610-00-00	CAP ASSY	1	
17	6A0-82317-00-00	DAMPER, IGNITION COIL	3	
18	624-42542-00-00	PIPE	3	
19	90201-06050-00	WASHER, PLATE	2	
20	97313-06030-00	BOLT	2	
21	6L5-24641-00-00	GASKET, CAP 1	1	
22	6L5-24500-00-00	FUEL COCK ASSEMBLY 1	1	
23	90159-06M10-00	SCREW, WITH WASHER	1	
24	6L5-44196-00-00	INDICATOR 3	1	
25	6L5-44197-00-00	INDICATOR 4	1	
26	6L5-24311-00-00	PIPE, FUEL 1	1	
27	90467-08004-00	CLIP	2	
28	6L5-24312-00-00	PIPE 2	1	
29	90465-11M10-00	CLAMP	2	

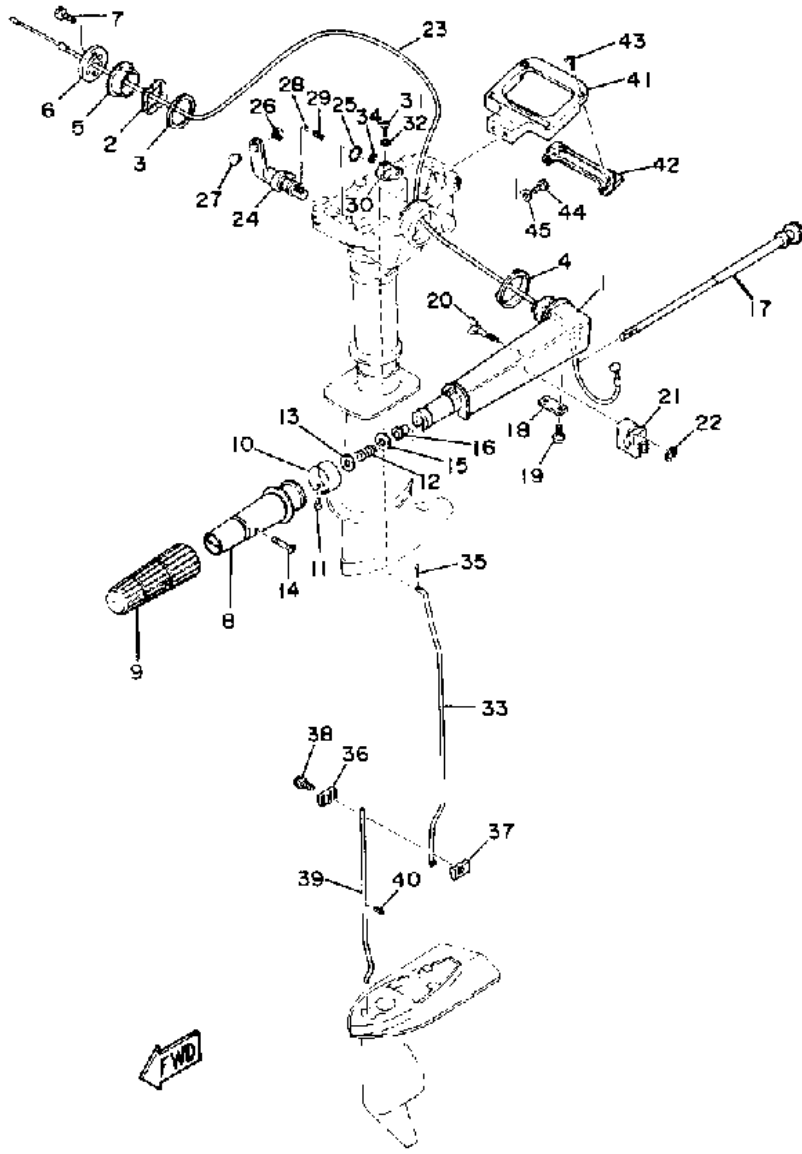
Part Notes

3SG 1988 / COWLING FUEL

PART NUMBER	NOTE TEXT
92990-06600-00 	OEM: This part number is among the Top 100 Most Popular Marine Maintenance Parts as of March 2014.

©2014 Yamaha Motor Corporation, U.S.A. All rights reserved.

3SG 1988 / CONTROL



©2014 Yamaha Motor Corporation, U.S.A. All rights reserved.



Part List

3SG 1988 / CONTROL

REF - NO	PART NUMBER	PART NAME	QUANTITY	REMARKS
1	6G1-42111-03-EK	HANDLE, STEERING	1	
2	90206-35M20-00	WASHER, WAVE	1	
3	90202-35M24-00	WASHER, PLATE	1	
4	90386-43M79-00	BUSH	1	
5	90386-34M40-00	BUSH	1	
6	6G1-42131-01-00	COVER, HANDLE STEERING	1	
7	97395-06016-00	BOLT, HEX	1	
8	664-42119-00-00	GRIP, STEERING HANDLE	1	
9	6G1-42177-00-00	RUBBER, HANDLE	1	
10	6L5-42137-00-00	INDICATOR, THROTTLE	1	
11	90269-02M09-00	RIVET	1	
12	90501-23215-00	SPRING, COMPRESSION	1	
13	92990-10600-00	WASHER, PLATE	1	
14	90149-05M13-00	SCREW	1	
15	90209-08M17-00	WASHER	1	
16	90386-08032-00	BUSH	1	
17	6G1-42138-01-00	LEVER, THROTTLE	1	
18	6E0-42159-02-00	STAY	1	
19	98580-05012-00	.SCREW, PAN HEAD	2	
20	6L5-42125-00-00	BOLT, FRICTION ADJUSTING	1	
21	6G1-42126-00-00	FRICTION, STEERING HANDLE GRIP	1	
22	99080-03600-00	CIRCLIP	1	
23	6L5-26301-01-00	THROTTLE CABLE ASSY	1	
24	6L5-44111-00-00	HANDLE, GEAR SHIFT	1	
25	93210-12790-00	O-RING	1	
26	6L5-44196-00-00	INDICATOR 3	1	
27	6L5-44197-00-00	INDICATOR 4	1	
28	93505-16024-00	BALL	1	
29	90501-12274-00	SPRING, COMPRESSION	1	
30	6L5-44121-00-00	LEVER, SHIFT ROD	1	
31	97780-40120-00	SCREW, TAPPING	1	
32	92990-04600-00	WASHER, PLATE	1	
33	6L5-44143-00-00	ROD, SHIFT	1	
34	92990-05600-00	WASHER, PLATE	1	
35	91490-16010-00	PIN, COTTER	1	
36	6E0-44145-00-00	CONNECTOR, SHIFT ROD	1	
37	6E0-44146-00-00	CONNECTOR, SHIFT ROD	1	
38	95895-06020-00	BOLT, FLANGE	1	
39	6L5-44144-10-00	ROD, SHIFT	1	
39	6L5-44144-00-00	ROD, SHIFT	1	
40	91609-25014-00	PIN, SPRING	1	
41	6L5-42731-00-EK	CARRYING, HANDLE	1	
42	6L5-42735-00-00	PROTECTOR	1	
43	90161-04M02-00	SCREW, TAPPING	2	
44	97395-06020-00	BOLT, HEXAGON	2	
45	92990-06600-00	WASHER, PLATE	2	

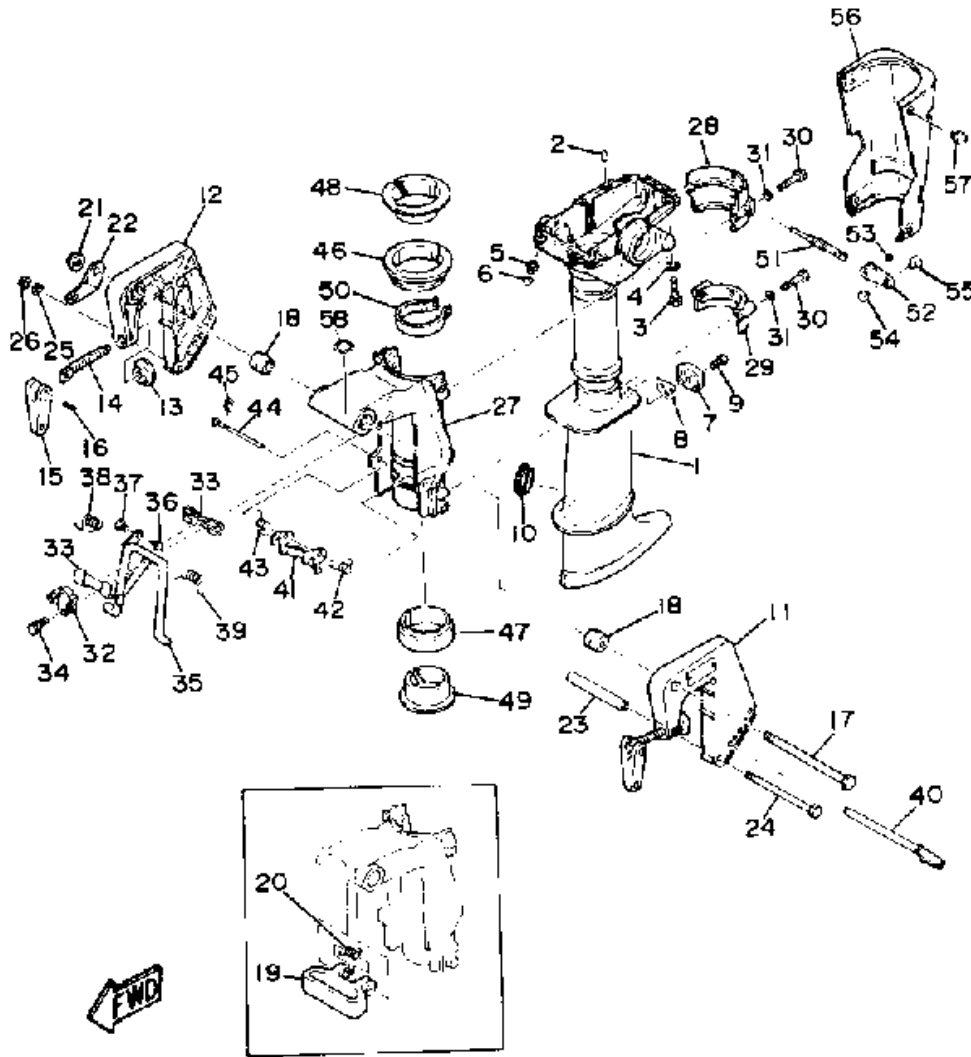
Part Notes

3SG 1988 / CONTROL

PART NUMBER	NOTE TEXT
92990-10600-00	 OEM: This part number is among the Top 100 Most Popular Marine Maintenance Parts as of March 2014.
92990-06600-00	 OEM: This part number is among the Top 100 Most Popular Marine Maintenance Parts as of March 2014.

©2014 Yamaha Motor Corporation, U.S.A. All rights reserved.

3SG 1988 / UPPER CASING BRACKET



©2014 Yamaha Motor Corporation, U.S.A. All rights reserved.




Part List

3SG 1988 / UPPER CASING BRACKET

REF - NO	PART NUMBER	PART NAME	QUANTITY	REMARKS
1	6L5-45111-00-EK	CASING, UPPER	1	
2	93604-10M03-00	PIN, DOWEL	2	
3	97395-06030-00	BOLT	6	
4	92990-06600-00	WASHER, PLATE	6	
5	93700-06M03-00	NIPPLE, GREASE	1	
6	663-45119-00-00	CAP, GREASE NIPPLE	1	
7	6L5-45152-00-00	COVER, UPPER CASING 2	1	
8	6L5-45115-00-00	GASKET, UPPER CASIN	1	
9	90149-05M08-00	SCREW	1	
10	647-45151-01-00	COVER, UPPER CASING	1	
11	6L5-43111-00-EK	BRACKET, CLAMP	1	
12	6L5-43112-00-EK	BRACKET, CLAMP	1	
13	648-43114-01-00	PAD, TRANSOM CLAMP	2	
14	6E0-43116-01-00	SCREW, TRANSOM CLAMP	2	
15	6E0-43118-00-00	HANDLE, TRANSOM CLP	2	
16	90254-04M00-00	PIN, SPRING TYPE	2	
17	90101-08M10-00	BOLT	1	
18	6G8-43136-00-00	PIECE, FRICTION	2	
19	6L5-42121-00-00	BRACKET	1	
20	90508-16M30-00	SPRING, TORSION	1	
21	95780-08300-00	..NUT, FLANGE	1	
22	6A1-43113-01-00	PLATE, CLAMP BRACKET	1	
23	90387-06M11-00	COLLAR	1	
24	90101-06335-00	BOLT	1	
25	92990-06600-00	WASHER, PLATE	1	
26	95380-06600-00	NUT, HEXAGON	1	
27	6L5-43311-00-EK	BRACKET, SWIVEL 1	1	
28	6L5-44511-00-EK	COVER, UPPER MT.	1	
29	6L5-44553-00-EK	COVER, LWR.MOUNT	1	
30	97395-06035-00	BOLT, HEXAGON	4	
31	92990-06600-00	WASHER, PLATE	4	
32	6E0-43313-00-94	BRACKET, SWIVEL 3	1	
33	620-43189-00-00	BUSHING	2	
34	95895-06020-00	BOLT, FLANGE	2	
35	6L5-43181-00-00	LEVER, TILT STOP	1	
36	6L5-44196-00-00	INDICATOR 3	1	
37	6L5-44197-00-00	INDICATOR 4	1	
38	90508-16020-00	SPRING, TORSION	1	
39	90508-16021-00	SPRING, TORSION	1	
40	6L5-43160-00-00	TILT ROD ASSY	1	
41	6L5-43614-00-00	PLATE, TILT LOCK	1	
42	90508-08M26-00	SPRING, TORSION	1	
43	90508-08M27-00	SPRING, TORSION	1	
44	6L5-43659-00-00	SHAFT, REVERSE LOCK	1	
45	99080-05600-00	CIRCLIP	1	
46	6L5-42537-00-00	BUSHING, PIVOT SHAFT	1	
47	6L5-42538-00-00	BUSHING, PIVOT SHAFT	1	
48	6L5-42539-00-00	BUSHING, PIVOT SHAFT	1	
49	6L5-42549-00-00	BUSHING, PIVOT SHAFT	1	
50	6E0-42528-03-00	PLATE, FRICTION	1	
51	6L5-42529-01-00	SCREW, FRICTION PIECE	1	
52	6L5-42561-00-00	KNOB, STEERING LOCK	1	
53	90266-04M05-00	RIVET	1	
54	6L5-44196-00-00	INDICATOR 3	1	
55	6L5-44197-00-00	INDICATOR 4	1	
56	6L5-43318-10-00	COVER	1	
57	90159-06M10-00	SCREW, WITH WASHER	4	
58	6A1-42792-01-00	MARK (100:1)	1	

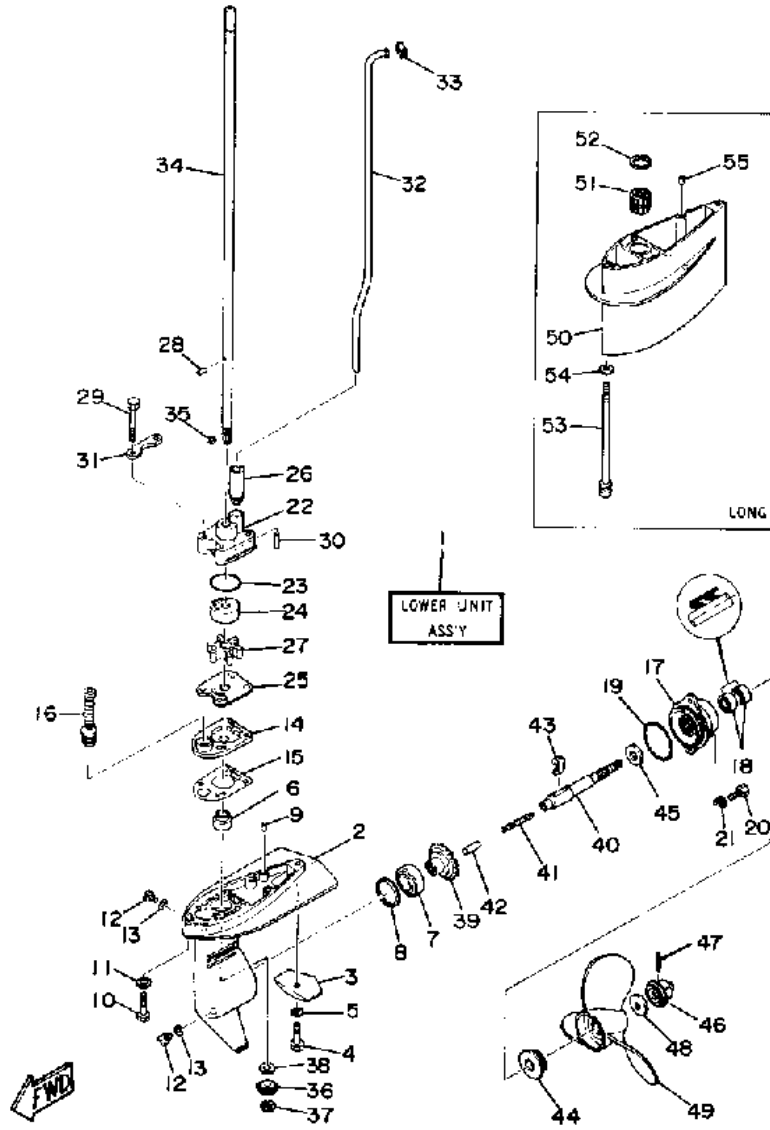
Part Notes

3SG 1988 / UPPER CASING BRACKET

PART NUMBER		NOTE TEXT
92990-06600-00		OEM: This part number is among the Top 100 Most Popular Marine Maintenance Parts as of March 2014.
92990-06600-00		OEM: This part number is among the Top 100 Most Popular Marine Maintenance Parts as of March 2014.
92990-06600-00		OEM: This part number is among the Top 100 Most Popular Marine Maintenance Parts as of March 2014.

©2014 Yamaha Motor Corporation, U.S.A. All rights reserved.

3SG 1988 / LOWER DRIVE 1



©2014 Yamaha Motor Corporation, U.S.A. All rights reserved.

Part List






3SG 1988 / LOWER DRIVE 1

REF - NO	PART NUMBER	PART NAME	QUANTITY	REMARKS
1	6L5-45300-00-EK	LOWER UNIT ASSEMBLY (SHORT)	1	
1	6L5-45300-10-EK	LOWER UNIT ASSEMBLY (LONG)	1	
2	6L5-45311-00-EK	CASING, LOWER	1	
3	6L5-45251-02-00	ANODE	1	
4	97395-06030-00	BOLT	1	UR SHORT
4	90101-06M18-00	BOLT	1	
5	92990-06600-00	WASHER, PLATE	1	SHORT
6	93103-09M41-00	.OIL SEAL	1	
7	93316-003U0-00	BEARING	1	
8	6L5-45567-00-00	SHIM	1	
9	93604-10M03-00	PIN, DOWEL	2	
10	97395-06030-00	BOLT	3	
11	92990-06600-00	WASHER, PLATE	3	
12	90340-08M04-00	PLUG, STRAIGHT SCREW	2	
13	90430-08020-00	.GASKET	2	
14	6L5-45321-00-EK	PLATE	1	
15	6L5-45315-00-00	PACKING, LOWER CASE CASING	1	
16	6L2-44147-00-00	BOOT, SHIFT ROD	1	
17	6L5-45361-00-EK	CAP, LOWER CASING	1	
18	93101-13M12-00	.OIL SEAL	2	
19	93210-48214-00	.O-RING	1	
20	97395-06016-00	BOLT, HEX	2	
21	92990-06600-00	WASHER, PLATE	2	
22	6L5-44311-00-00	HOUSING, WATER PUMP	1	
23	93210-33M85-00	.O-RING	1	
24	6L5-44322-00-00	.INSERT, CARTRIDGE	1	
25	6L5-44323-00-00	OUTER PLATE, CARTRIDGE	1	
26	6E0-44366-00-00	DAMPER, WATER SEAL 2	1	
27	6L5-44352-00-00	.IMPELLER	1	
28	93604-07M13-00	PIN, DOWEL	1	
29	97395-06040-00	BOLT	4	
30	93604-18080-00	.PIN, DOWEL	2	
31	6L5-44328-00-00	PLATE	2	
32	6L5-44361-00-00	TUBE, WATER	1	
32	6L5-44361-10-00	TUBE, WATER	1	
33	646-44365-00-00	DAMPER, WATER SEAL	1	
34	6L5-45511-10-00	SHAFT, DRIVE	1	
34	6L5-45511-00-00	SHAFT, DRIVE	1	
35	90467-07M12-00	CLIP	1	
36	6L5-45551-00-00	PINION (13T)	1	
37	99009-06600-00	CIRCLIP	1	
38	6L5-45533-00-23	SHIM (T:2.3MM)	1	
38	6L5-45533-00-20	SHIM (T:2.0MM)	1	
38	6L5-45533-00-21	SHIM (T:2.1MM)	1	
38	6L5-45533-00-22	SHIM (T:2.2MM)	1	
39	6L5-45560-00-00	GEAR 1 (27T)	1	
40	6L5-45611-00-00	SHAFT, PROPELLER	1	
41	90501-10064-00	SPRING, COMPRESSION	1	
42	6L5-45635-00-00	PLUNGER, SHIFT	1	
43	6L5-45631-00-00	CLUTCH, DOG	1	
44	6L5-45987-00-00	SPACER (6L5-45987-01-00)	1	
45	90201-13198-00	WASHER, PLATE	1	
46	6L5-45616-00-00	NUT, PROPELLER	1	
47	91490-25030-00	PIN. COTTER	1	
48	90201-08M54-00	WASHER, PLATE	1	
49	6L5-45947-00-EL	PROPELLER (3X7-1/4"X8-1/4"-BS)	1	
49	6L5-45945-00-EL	PROPELLER (3X7-1/4"X7-1/4"-BS)	1	

49	6L5-45945-00-EL	PROPELLER (3X7-1/4"X7-1/4"-BS)	1	UR
50	6L5-45211-00-EK	EXTENSION	1	
51	6L5-45318-00-00	BUSHING, DRIVE SHAFT	1	
52	93420-22M03-00	CIRCLIP	1	
53	90101-06M18-00	BOLT	3	
54	92990-06600-00	WASHER, PLATE	3	
55	93604-10M03-00	PIN, DOWEL	2	

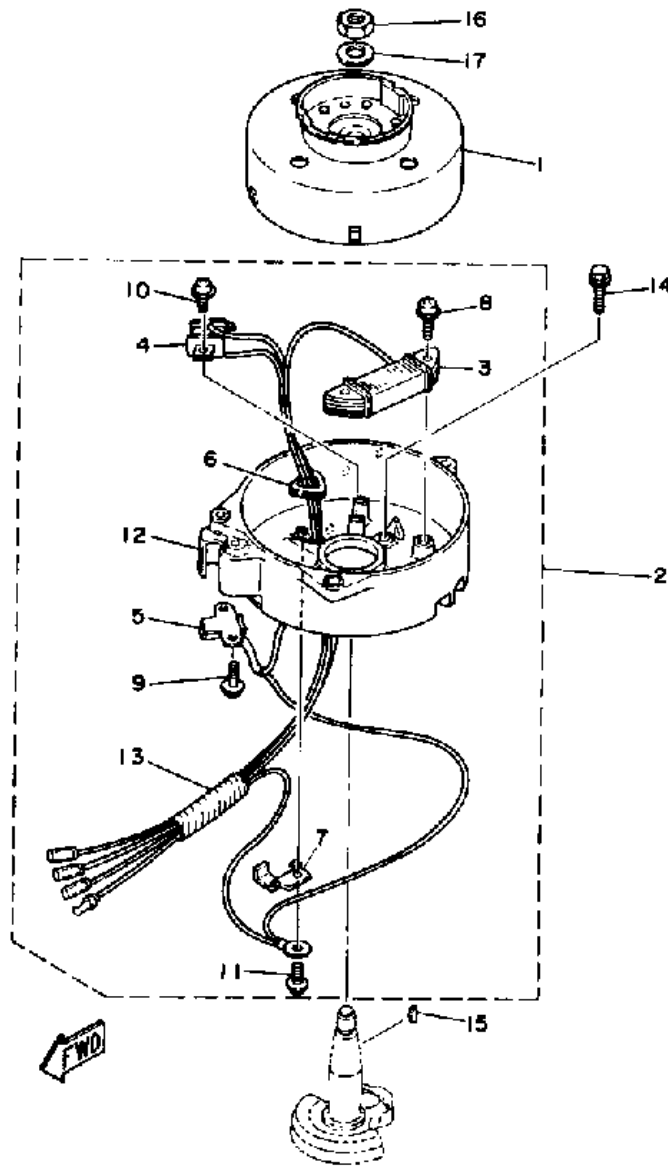
Part Notes

3SG 1988 / LOWER DRIVE 1

PART NUMBER		NOTE TEXT
92990-06600-00		OEM: This part number is among the Top 100 Most Popular Marine Maintenance Parts as of March 2014.
92990-06600-00		OEM: This part number is among the Top 100 Most Popular Marine Maintenance Parts as of March 2014.
90430-08020-00		OEM: This part number is among the Top 100 Most Popular Marine Maintenance Parts as of March 2014.
92990-06600-00		OEM: This part number is among the Top 100 Most Popular Marine Maintenance Parts as of March 2014.
92990-06600-00		OEM: This part number is among the Top 100 Most Popular Marine Maintenance Parts as of March 2014.

©2014 Yamaha Motor Corporation, U.S.A. All rights reserved.

3SG 1988 / GENERATOR



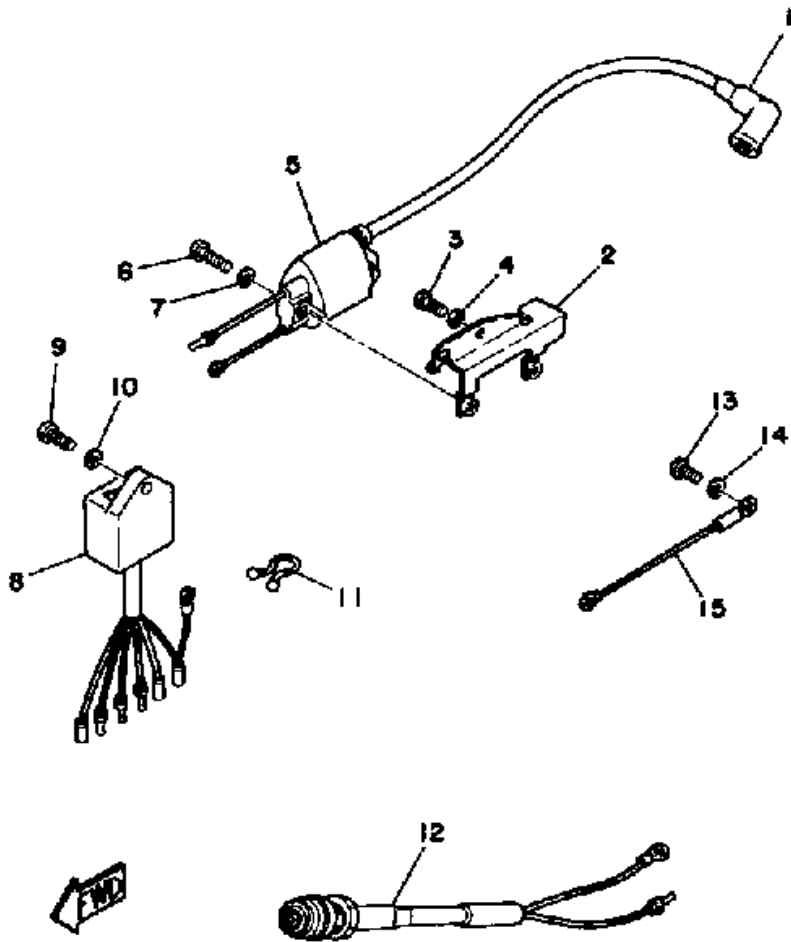
©2014 Yamaha Motor Corporation, U.S.A. All rights reserved.

Part List

3SG 1988 / GENERATOR

REF - NO	PART NUMBER	PART NAME	QUANTITY	REMARKS
1	6L5-85550-M0-00	ROTOR ASSY	1	
2	6L5-85560-M0-00	BASE ASSEMBLY	1	
3	6E0-85520-70-00	.COIL, CHARGE	1	
4	6L5-85595-M0-00	.COIL, PULSER	1	
5	6L5-85592-M0-00	.PULSER COIL ASSY	1	
6	6E0-81336-70-00	.GROMMET	1	
7	6E0-81328-70-00	.CLAMP	1	
8	90159-05038-00	SCREW, WITH WASHER	2	
9	90159-05037-00	.SCREW, WITH WASHER	2	
10	90159-04036-00	.SCREW, WITH WASHER	2	
11	90159-04035-00	.SCREW, WITH WASHER	1	
12	(6L5-15771-00-94)	STAY 1	1	
13	90446-10M01-00	HOSE (L60)	1	
14	90105-06M14-00	BOLT FLANGE	2	
15	90280-04M06-00	KEY, WOODRUFF	1	
16	90170-10113-00	NUT	1	
17	90201-102G9-00	WASHER, PLATE	1	

3SG 1988 / ELECTRIC PARTS



©2014 Yamaha Motor Corporation, U.S.A. All rights reserved.





Part List

3SG 1988 / ELECTRIC PARTS

REF - NO	PART NUMBER	PART NAME	QUANTITY	REMARKS
1	663-82370-01-00	PLUG CAP ASSY	1	
2	6L5-82316-00-00	BRACKET, IGNITION COIL	1	
3	97313-06016-00	BOLT, HEXAGON	2	
4	92990-06600-00	WASHER, PLATE	2	
5	6L5-85570-M0-00	IGNITION COIL ASSY	1	
6	98503-06014-00	SCREW, PAN HEAD	2	
7	92990-06600-00	WASHER, PLATE	2	
8	6L5-85540-M0-00	C.D.I. UNIT ASSY	1	
9	97313-06016-00	BOLT, HEXAGON	1	
10	92990-06600-00	WASHER, PLATE	1	
11	90465-18147-00	CLAMP	1	
12	6L5-82550-00-00	ENGINE STOP SWITCH ASSY	1	
13	97013-06012-00	BOLT	1	
14	92990-06600-00	WASHER, PLATE	1	
15	662-82519-00-00	WIRE, EARTH LEAD	1	

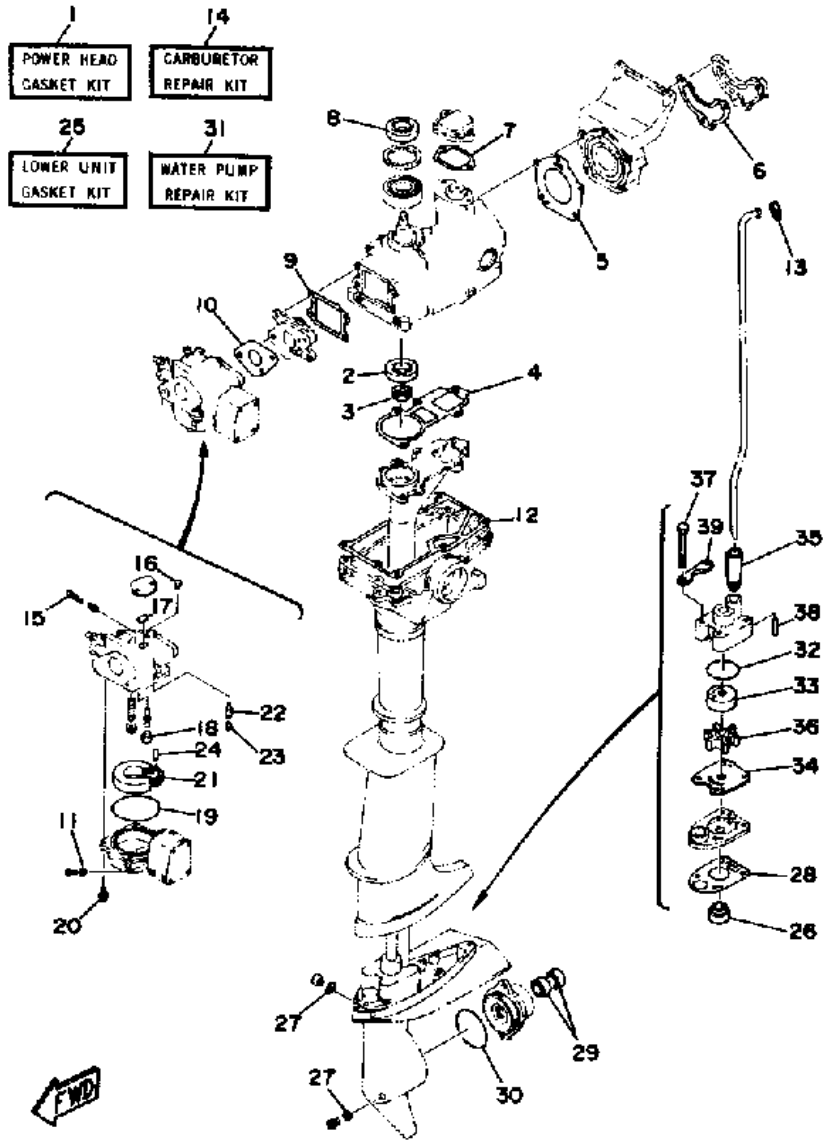
Part Notes

3SG 1988 / ELECTRIC PARTS

PART NUMBER		NOTE TEXT
92990-06600-00		OEM: This part number is among the Top 100 Most Popular Marine Maintenance Parts as of March 2014.
92990-06600-00		OEM: This part number is among the Top 100 Most Popular Marine Maintenance Parts as of March 2014.
92990-06600-00		OEM: This part number is among the Top 100 Most Popular Marine Maintenance Parts as of March 2014.
92990-06600-00		OEM: This part number is among the Top 100 Most Popular Marine Maintenance Parts as of March 2014.

©2014 Yamaha Motor Corporation, U.S.A. All rights reserved.

3SG 1988 / REPAIR KIT



©2014 Yamaha Motor Corporation, U.S.A. All rights reserved.


Part List

3SG 1988 / REPAIR KIT

REF - NO	PART NUMBER	PART NAME	QUANTITY	REMARKS
1	6L5-W0001-00-00	POWER HEAD GSK.KIT	1	
2	93101-20M29-00	OIL SEAL	1	
3	93101-09M42-00	.OIL SEAL	1	
4	6L5-15369-00-00	GASKET, O/SL HSNG HOUSING	1	
5	6L5-11181-A1-00	GASKET, CYLINDER HEAD 1	1	
6	6L5-11193-00-00	GASKET, HD.COVER 1	1	
7	6L5-12414-A1-00	GASKET, COVER	1	
8	93101-20M29-00	OIL SEAL	1	
9	6L5-13621-00-00	GASKET, VALVE SEAT	1	
10	6L5-14198-A1-00	GASKET	1	
11	6G1-14398-00-00	.WASHER	1	
12	6L5-45113-00-00	GASKET, UPPER CASIN	1	
13	646-44365-00-00	DAMPER, WATER SEAL	1	
14	6G1-W0093-00-00	CARBURETOR REPAIR KIT	1	
15	679-14923-00-00	SCREW, PILOT	1	
16	6G1-14966-00-00	CAP	1	
17	6G1-14126-00-00	GASKET	1	
18	676-14966-00-00	CAP	1	
19	6G1-14984-00-00	O-RING	1	
20	97980-04114-00	.SCREW, WITH WASHER	1	
21	6G1-14985-00-00	FLOAT	1	
22	6G1-14546-00-00	VALVE, NEEDLE	1	
23	676-14186-00-00	PIN, FLOAT	1	
24	688-14548-00-00	PIN, FLOAT ARM	1	
25	6L5-W0001-20-00	LWR UNIT GSKT KITKIT	1	
26	93103-09M41-00	.OIL SEAL	1	
27	90430-08020-00	.GASKET	2	
28	6L5-45315-00-00	PACKING, LOWER CASE CASING	1	
29	93101-13M12-00	.OIL SEAL	2	
30	93210-48214-00	.O-RING	1	
31	6L5-W0078-00-00	WATER PUMP REPAIR KIT	1	
32	93210-33M85-00	.O-RING	1	
33	6L5-44322-00-00	.INSERT, CARTRIDGE	1	
34	6L5-44323-00-00	OUTER PLATE, CARTRIDGE	1	
35	6E0-44366-00-00	DAMPER, WATER SEAL 2	1	
36	6L5-44352-00-00	.IMPELLER	1	
37	97395-06040-00	BOLT	4	
38	93604-18080-00	.PIN, DOWEL	2	
39	6L5-44328-00-00	PLATE	2	

Part Notes

3SG 1988 / REPAIR KIT

PART NUMBER	NOTE TEXT
90430-08020-00 	OEM: This part number is among the Top 100 Most Popular Marine Maintenance Parts as of March 2014.

©2014 Yamaha Motor Corporation, U.S.A. All rights reserved.

©2014 Yamaha Motor Corporation, U.S.A. All rights reserved.