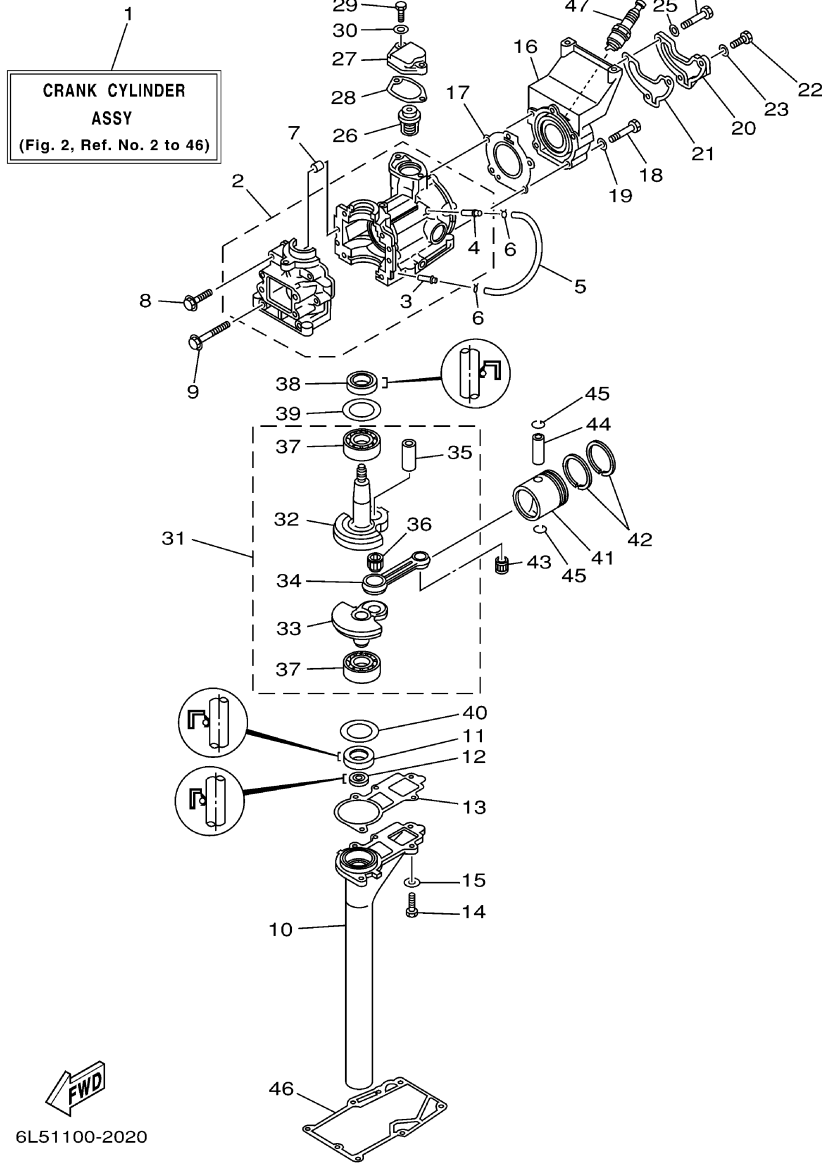


Part List

3MSHA 2002 / COWLING FUEL

REF - NO	PART NUMBER	PART NAME	QUANTITY	REMARKS
1	6L5-42610-13-4D	TOP COWLING ASSY	1	(3MH)
2	6L5-W0070-13-00	.GRAPHIC SET	1	(3MH)
3	6L5-42678-12-00	.GRAPHIC, REAR	1	(3MH)
4	6L5-42711-11-00	COWLING, BOTTOM	1	(3MH)
5	6L5-42712-12-00	COWLING, BOTTOM	1	(3MH)
6	6L5-42774-00-00	STAY, APRON 1	1	(3MH)
7	6L5-42775-00-00	STAY, APRON 2	1	(3MH)
8	97880-05010-00	SCREW, PAN HEAD	2	(3MH)
9	97095-06016-00	BOLT	4	(3MH)
10	92995-06600-00	WASHER	4	(3MH)
11	6L5-42647-00-00	HOLDER, CLAMP BAND	2	(3MH)
12	6L5-42823-00-00	PLATE, STOP	2	(3MH)
13	90167-03M02-00	SCREW, TAPPING	2	(3MH)
14	6L5-44191-00-00	INDICATOR, SHIFT	1	(3MH)
15	6L5-24591-00-00	EMBLEM, FUEL COCK	1	(3MH)
16	6L5-42662-00-00	DAMPER	1	(3MH)
17	6L5-42663-00-00	DAMPER	1	(3MH)
18	6L5-24111-02-00	TANK, FUEL	1	(3MH)
19	6L5-24610-00-00	CAP ASSY	1	(3MH)
20	6A0-82317-00-00	DAMPER, IGNITION COIL	3	(3MH)
21	624-42542-00-00	PIPE	3	(3MH)
22	90119-06M65-00	BOLT, WITH WASHER	2	(3MH)
23	6L5-24641-00-00	GASKET, CAP 1	1	(3MH)
24	6L5-24500-60-00	FUEL COCK ASSY 1	1	(3MH)
25	90159-06M10-00	SCREW, WITH WASHER	1	(3MH)
26	6L5-44196-00-00	INDICATOR 3	1	(3MH)
27	6L5-44197-00-00	INDICATOR 4	1	(3MH)
28	6L5-24251-00-00	STRAINER 1	1	(3MH)
29	6L5-24311-00-00	PIPE, FUEL 1	1	(3MH)
30	90467-08004-00	CLIP	2	(3MH)
31	6L5-24312-00-00	PIPE 2	1	(3MH)
32	90465-13M11-00	CLAMP	2	(3MH)

3MSHA 2002 / CYLINDER CRANKCASE



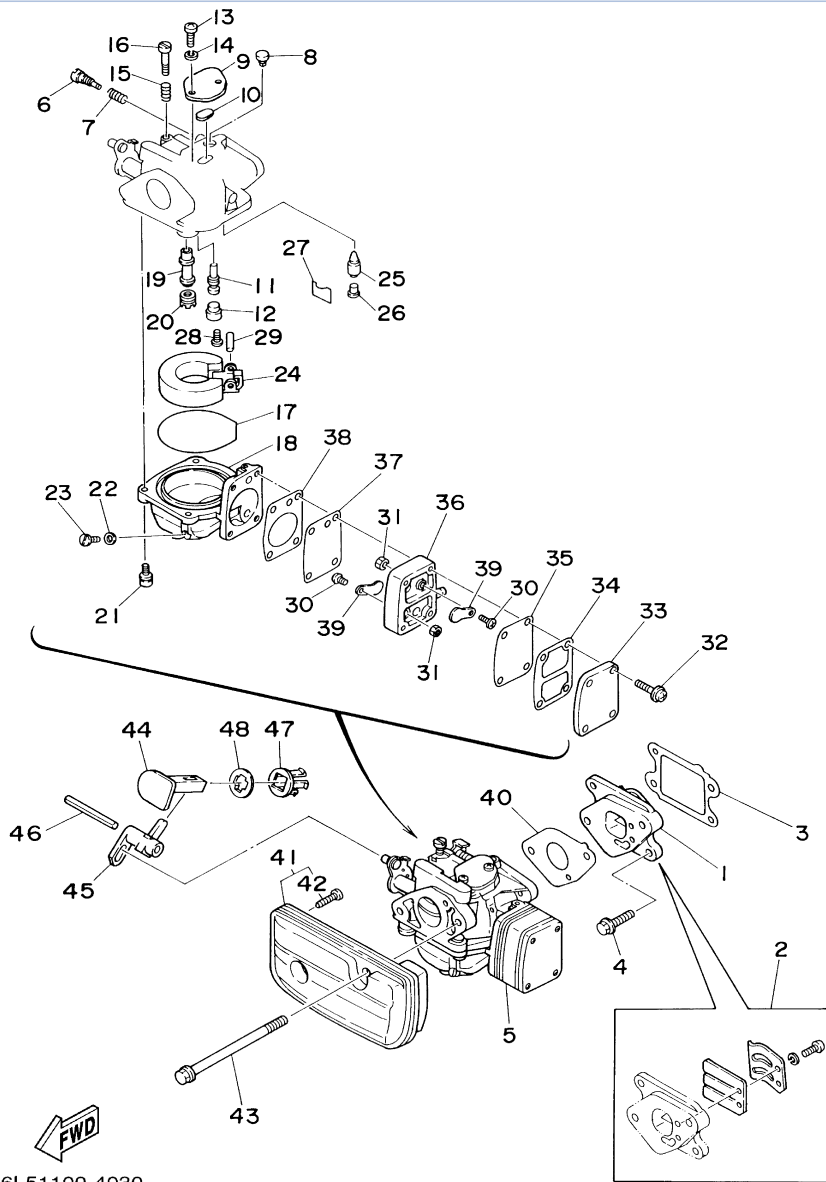
©2014 Yamaha Motor Corporation, U.S.A. All rights reserved.

Part List

3MSHA 2002 / CYLINDER CRANKCASE

REF - NO	PART NUMBER	PART NAME	QUANTITY	REMARKS
1	6L5-W0090-01-1S	CRANK CYLINDER ASSY	1	(3MH)
2	6L5-15100-00-1S	CRANKCASE ASSY	1	(3MH)
3	624-14485-00-00	.PIPE, JOINT	1	(3MH)
4	6E5-11372-00-00	.NIPPLE, HOSE	1	(3MH)
5	90445-07M29-00	HOSE (L135)	1	(3MH)
6	90467-06016-00	CLIP	2	(3MH)
7	93606-12019-00	.PIN, DOWEL	2	(3MH)
8	90105-06M16-00	BOLT, FLANGE	4	(3MH)
9	90105-06M40-00	BOLT, FLANGE	2	(3MH)
10	6L5-15396-00-94	HOUSING, OIL SEAL	1	(3MH)
11	93101-20M29-00	OIL SEAL	1	(3MH)
12	93101-09M42-00	.OIL SEAL	1	(3MH)
13	6L5-15369-A0-00	GASKET, OIL SEAL HOUSING	1	(3MH)
14	97095-06020-00	BOLT	5	(3MH)
15	92995-06600-00	WASHER	5	(3MH)
16	6L5-11111-00-1S	HEAD, CYLINDER 1	1	(3MH)
17	6L5-11181-A2-00	GASKET, CYLINDER HEAD 1	1	(3MH)
18	97013-06028-00	BOLT	3	(3MH)
19	92903-06600-00	WASHER, PLATE	3	(3MH)
20	6L5-11191-00-1S	COVER, CYLINDER HEAD 1	1	(3MH)
21	6L5-11193-A1-00	GASKET, HEAD COVER 1	1	(3MH)
22	97013-06020-00	BOLT	1	(3MH)
23	92903-06600-00	WASHER, PLATE	1	(3MH)
24	97013-06050-00	BOLT	2	(3MH)
25	92903-06600-00	WASHER, PLATE	2	(3MH)
26	6E5-12411-01-00	THERMOSTAT	1	(3MH)
27	6L5-12413-00-1S	COVER, THERMOSTAT	1	(3MH)
28	6L5-12414-A1-00	GASKET, COVER	1	(3MH)
29	97013-06020-00	BOLT	2	(3MH)
30	92903-06600-00	WASHER, PLATE	2	(3MH)
31	6L5-11400-00-00	CRANKSHAFT ASSY	1	(3MH)
32	6L5-11412-00-00	.CRANK 1	1	(3MH)
33	6L5-11422-00-00	.CRANK 2	1	(3MH)
34	6L5-11651-00-00	.ROD, CONNECTING	1	(3MH)
35	6L5-11681-00-00	.PIN, CRANK 1	1	(3MH)
36	93310-416N7-00	.BEARING	1	(3MH)
37	93306-204U0-00	.BEARING	2	(3MH)
38	93102-20M06-00	OIL SEAL	1	(3MH)
39	90201-32M00-00	WASHER, PLATE	1	(3MH)
40	90201-32M01-00	WASHER, PLATE	1	(3MH)
41	6L5-11631-00-96	PISTON (STD)	1	(3MH)
41	6L5-11636-00-00	PISTON (0.50MM O/S)	1	AP(3MH)
41	6L5-11635-00-00	PISTON (0.25MM O/S)	1	AP(3MH)
42	6L5-11610-10-00	PISTON RING SET (0.25MM O/S)	1	AP(3MH)
42	6L5-11610-00-00	PISTON RING SET (STD)	1	(3MH)
42	6L5-11610-20-00	PISTON RING SET (0.50MM O/S)	1	AP(3MH)
43	93310-112U0-00	BEARING	1	(3MH)
44	6L5-11633-00-00	PIN, PISTON	1	(3MH)
45	93450-13022-00	CIRCLIP	2	(3MH)
46	6L5-45113-A1-00	GASKET, UPPER CASING	1	(3MH)
47	NGK-B6HS1-00-00	PLUG SPARK (NGK B6HS-10)	1	(3MH)

3MSHA 2002 / INTAKE



6L51100-4030

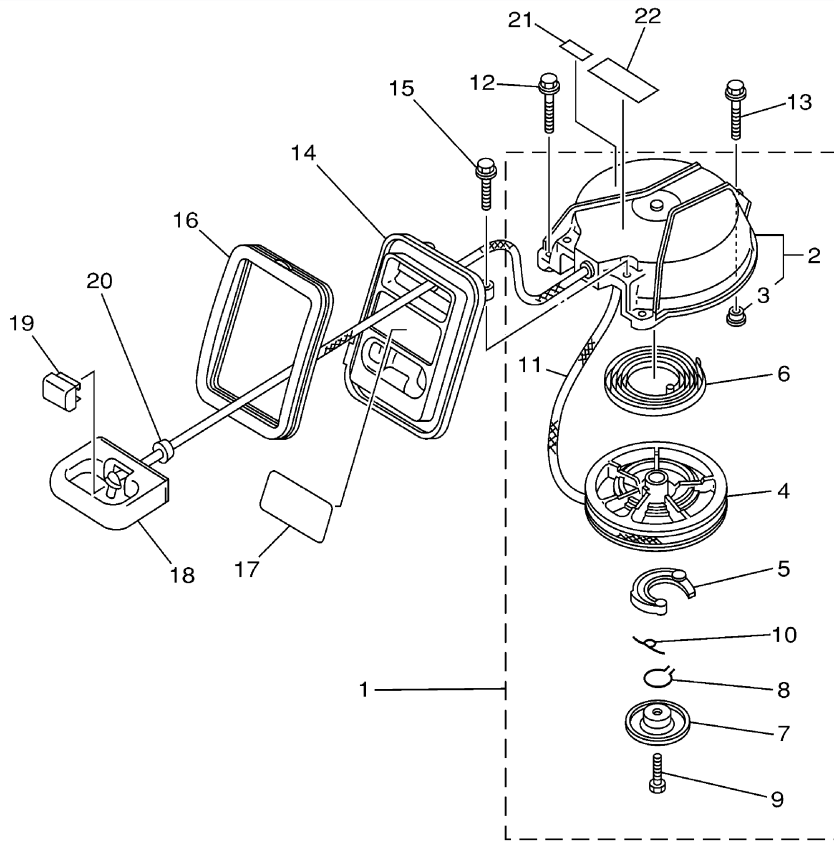
©2014 Yamaha Motor Corporation, U.S.A. All rights reserved.

Part List

3MSHA 2002 / INTAKE

REF - NO	PART NUMBER	PART NAME	QUANTITY	REMARKS
1	6L5-13610-02-00	REED VALVE ASSY	1	(3MH)
2	6L5-W0004-02-00	.REED SET	1	(3MH)
3	6L5-13621-A2-00	GASKET, VALVE SEAT	1	(3MH)
4	95895-06016-00	BOLT, FLANGE	2	(3MH)
5	6L5-14301-03-00	CARBURETOR ASSY 1	1	(3MH)
6	679-14923-00-00	.SCREW, PILOT	1	(3MH)
7	679-14555-00-00	.SPRING	1	(3MH)
8	6G1-14966-00-00	.CAP	1	(3MH)
9	6G1-14527-00-00	.PLATE	1	(3MH)
10	6G1-14126-00-00	.GASKET	1	(3MH)
11	6L5-14948-03-00	.JET (#40)	1	(3MH)
12	676-14966-00-00	.CAP	1	(3MH)
13	97880-04010-00	.SCREW, PAN HEAD	2	(3MH)
14	92990-04100-00	.WASHER, SPRING	2	(3MH)
15	90501-10326-00	.SPRING, COMPRESSION	1	(3MH)
16	63V-14523-00-00	.SCREW, STOP	1	(3MH)
17	6G1-14984-00-00	.O-RING	1	(3MH)
18	6G1-14980-01-00	.BODY, FLOAT CHAMBER	1	(3MH)
19	6L5-14947-01-00	.JET, NEEDLE	1	(3MH)
20	676-14943-14-00	.JET, MAIN (#68)	1	(3MH)
21	97980-04114-00	.SCREW, WITH WASHER	4	(3MH)
22	6G1-14398-00-00	.WASHER	1	(3MH)
23	6G1-14992-00-00	.SCREW, DRAIN	1	(3MH)
24	6G1-14985-00-00	.FLOAT	1	(3MH)
25	6G1-14546-00-00	.VALVE, NEEDLE	1	(3MH)
26	676-14186-00-00	.PIN, FLOAT	1	(3MH)
27	663-14159-00-00	.CLIP	1	(3MH)
28	98580-04008-00	.SCREW, PAN HEAD	1	(3MH)
29	688-14548-00-00	.PIN, FLOAT ARM	1	(3MH)
30	98580-03006-00	.SCREW, PAN HEAD	2	(3MH)
31	95380-03600-00	.NUT	2	(3MH)
32	97980-04125-00	.SCREW, WITH WASHER	4	(3MH)
33	6G1-24452-00-00	.COVER	1	(3MH)
34	6G1-24432-00-00	.GASKET, FUEL PUMP 2	1	(3MH)
35	6G1-24471-00-00	.DIAPHRAGM	1	(3MH)
36	6G1-24412-01-00	.BODY 1	1	(3MH)
37	6G1-24411-00-00	.DIAPHRAGM	1	(3MH)
38	6G1-24431-01-00	.GASKET, FUEL PUMP 1	1	(3MH)
39	6L5-24421-00-00	.VALVE, CHECK	2	(3MH)
40	6L5-14198-A1-00	GASKET	1	(3MH)
41	6L5-14440-00-00	SILENCER ASSY, INTAKE	1	(3MH)
42	97780-40716-00	.SCREW, TAPPING	2	(3MH)
43	95895-06095-00	BOLT, FLANGE	2	(3MH)
44	6L5-41271-00-00	KNOB, CHOKE	1	(3MH)
45	6L5-41252-00-00	LEVER, CHOKE 1	1	(3MH)
46	91690-40048-00	PIN, SPRING	1	(3MH)
47	689-41273-00-00	GROMMET	1	(3MH)
48	6J8-41274-00-00	GROMMET 2	1	(3MH)

3MSHA 2002 / STARTER



6L51110-2040

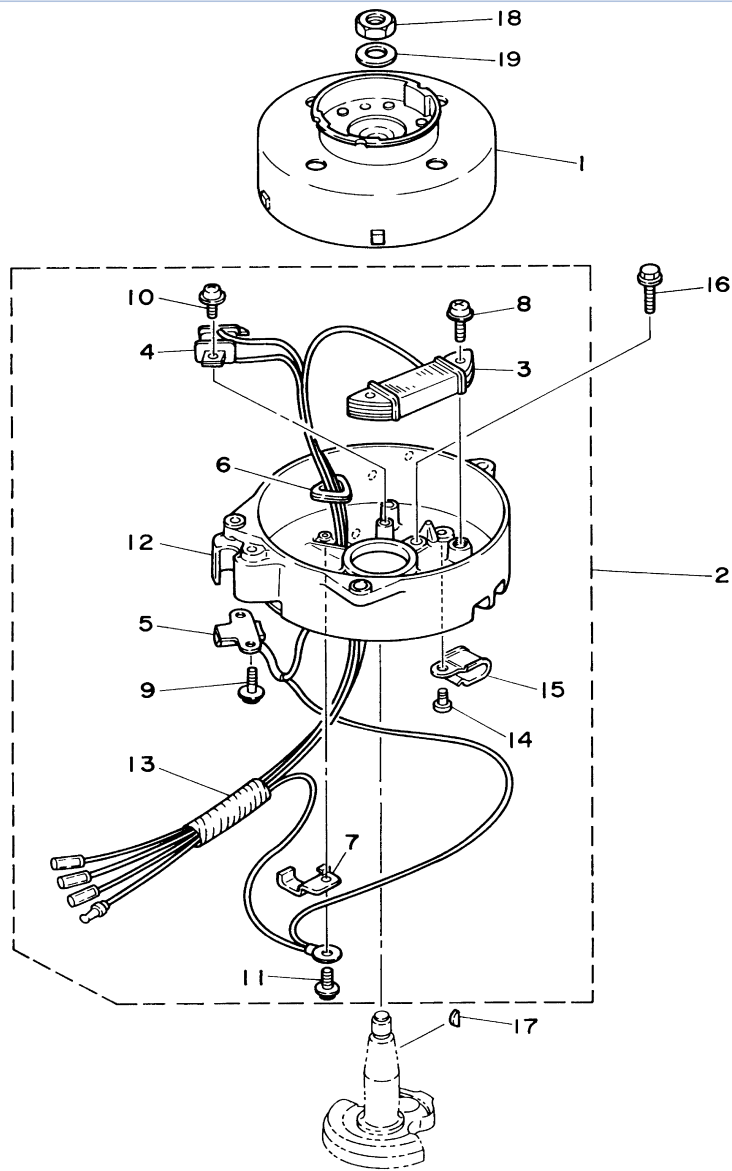
©2014 Yamaha Motor Corporation, U.S.A. All rights reserved.

Part List

3MSHA 2002 / STARTER

REF - NO	PART NUMBER	PART NAME	QUANTITY	REMARKS
1	6L5-15710-00-00	STARTER ASSY	1	(3MH)
2	6L5-15711-00-00	.CASE, STARTER	1	(3MH)
3	90387-06M70-00	..COLLAR	1	(3MH)
4	6L5-15714-00-00	.DRUM, SHEAVE	1	(3MH)
5	6L5-15741-00-00	.PAWL, DRIVE	1	(3MH)
6	6L5-15713-00-00	.SPRING, STARTER	1	(3MH)
7	6L5-15716-00-00	.PLATE, DRIVE	1	(3MH)
8	6A1-15705-00-00	.SPRING, DRIVE PAWL	1	(3MH)
9	97313-06012-00	.BOLT	1	(3MH)
10	6A1-15767-00-00	.SPRING	1	(3MH)
11	90580-50M01-00	.ROPE, STARTER	1	(3MH)
12	95895-06020-00	BOLT, FLANGE	2	(3MH)
13	95895-06035-00	BOLT, FLANGE	1	(3MH)
14	6L5-15758-00-98	GUIDE, ROPE	1	(3MH)
15	95895-06016-00	BOLT, FLANGE	2	(3MH)
16	6L5-15761-00-00	SEAL, RUBBER 1	1	(3MH)
17	6L5-42677-10-00	GRAPHIC, FRONT	1	(3MH)
18	6L5-15755-00-00	HANDLE, STARTER	1	(3MH)
19	6L5-15779-00-00	COVER	1	(3MH)
20	6L5-15789-00-00	DAMPER	1	(3MH)
21	6H8-42791-00-00	MARK 1	1	(3MH)
22	6A1-83625-41-00	MARK 5	1	(3MH)

3MSHA 2002 / GENERATOR



6L51100-4050

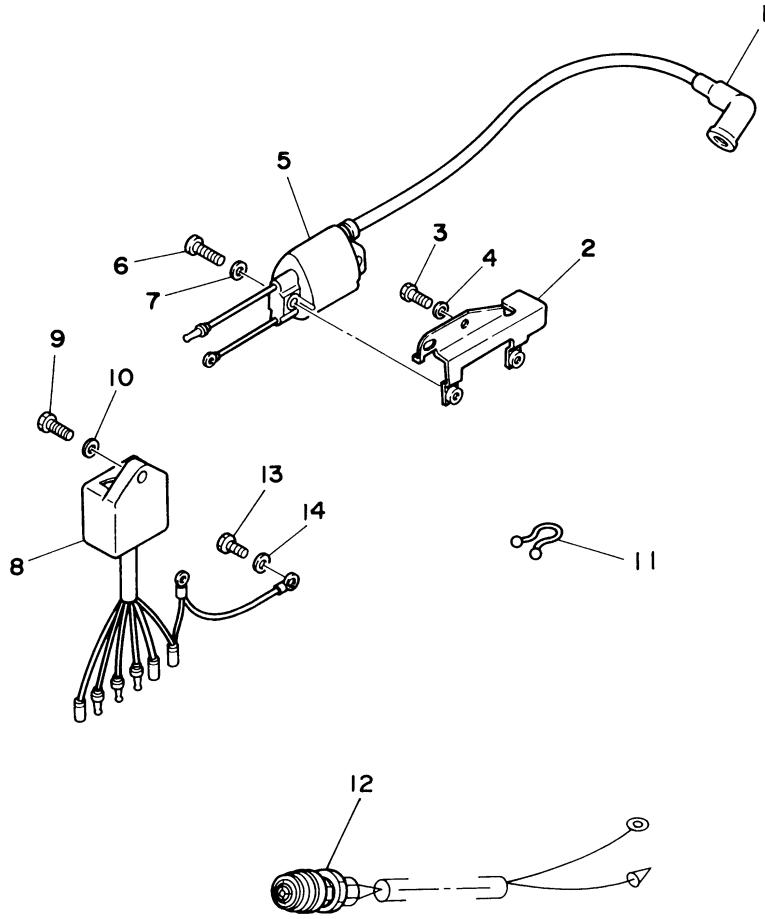
©2014 Yamaha Motor Corporation, U.S.A. All rights reserved.

Part List

3MSHA 2002 / GENERATOR

REF - NO	PART NUMBER	PART NAME	QUANTITY	REMARKS
1	6L5-85550-M0-00	ROTOR ASSY	1	(3MH)
2	6L5-85560-M1-00	BASE ASSY	1	(3MH)
3	6E0-85520-70-00	.COIL, CHARGE	1	(3MH)
4	6L5-85595-M0-00	.COIL, PULSER	1	(3MH)
5	6L5-85592-M0-00	.PULSER COIL ASSY	1	(3MH)
6	6E0-81336-70-00	.GROMMET	1	(3MH)
7	6E0-81328-70-00	.CLAMP	1	(3MH)
8	90159-05038-00	.SCREW, WITH WASHER	2	(3MH)
9	90159-05037-00	.SCREW, WITH WASHER	2	(3MH)
10	90159-04036-00	.SCREW, WITH WASHER	2	(3MH)
11	90159-04035-00	.SCREW, WITH WASHER	1	(3MH)
12	6L5-15771-01-94	.STAY 1	1	(3MH)
13	90446-10M01-00	.HOSE (L60)	1	(3MH)
14	97803-05008-00	.SCREW, PAN HEAD	1	(3MH)
15	90465-10M34-00	.CLAMP	1	(3MH)
16	95895-06016-00	BOLT, FLANGE	2	(3MH)
17	90280-04M06-00	KEY, WOODRUFF	1	(3MH)
18	90170-10113-00	NUT	1	(3MH)
19	90201-10126-00	WASHER, PLATE	1	(3MH)

3MSHA 2002 / ELECTRICAL



6L51100-4060

©2014 Yamaha Motor Corporation, U.S.A. All rights reserved.



Part List

3MSHA 2002 / ELECTRICAL

REF - NO	PART NUMBER	PART NAME	QUANTITY	REMARKS
1	663-82370-01-00	PLUG CAP ASSY	1	(3MH)
2	6L5-82316-00-00	BRACKET, IGNITION COIL	1	(3MH)
3	97095-06016-00	BOLT	2	(3MH)
4	92995-06600-00	WASHER	2	(3MH)
5	6L5-85570-M0-00	IGNITION COIL ASSY	1	(3MH)
6	97880-06016-00	SCREW, PAN HEAD	2	(3MH)
7	92990-06600-00	WASHER, PLATE	2	(3MH)
8	6L5-85540-M0-00	C.D.I. UNIT ASSY	1	(3MH)
9	97095-06016-00	BOLT	1	(3MH)
10	92995-06600-00	WASHER	1	(3MH)
11	90465-18147-00	CLAMP	1	(3MH)
12	6L5-82550-00-00	ENGINE STOP SWITCH ASSY	1	(3MH)
13	97090-06012-00	BOLT	1	(3MH)
14	92990-06600-00	WASHER, PLATE	1	(3MH)

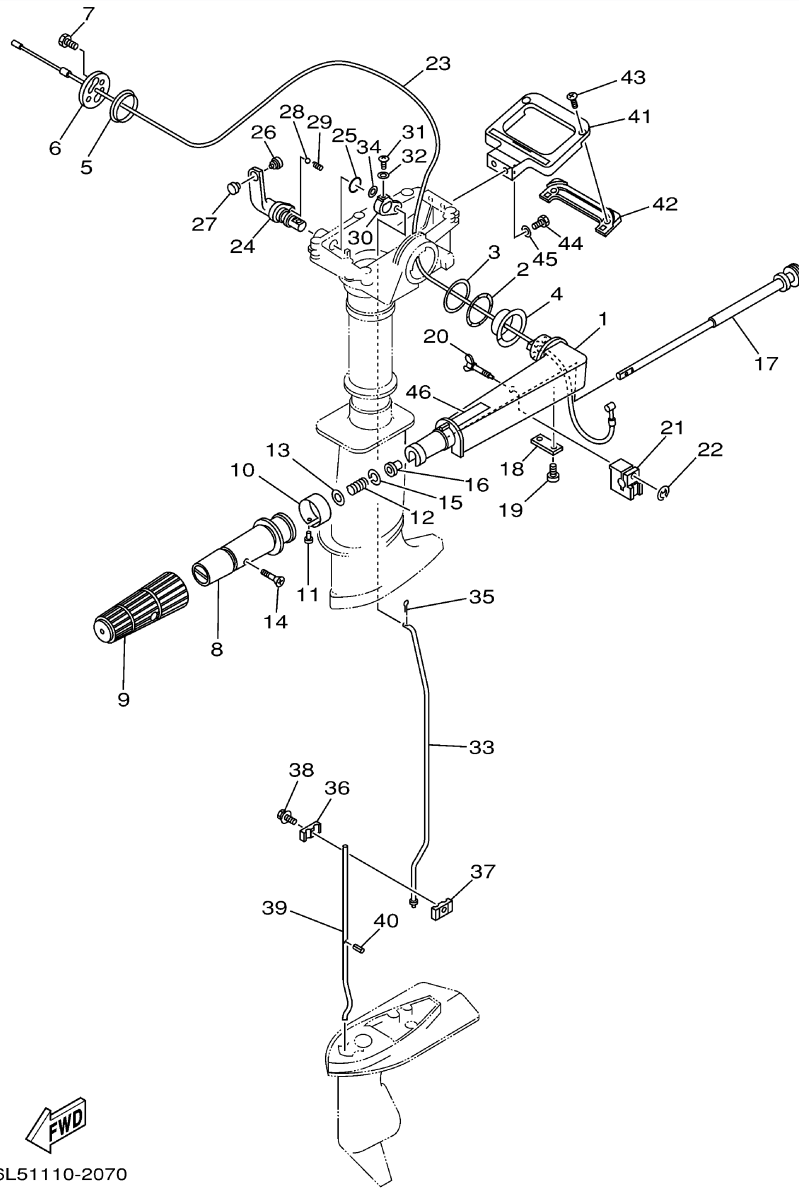
Part Notes

3MSHA 2002 / ELECTRICAL

PART NUMBER	NOTE TEXT
92990-06600-00 	OEM: This part number is among the Top 100 Most Popular Marine Maintenance Parts as of March 2014.
92990-06600-00 	OEM: This part number is among the Top 100 Most Popular Marine Maintenance Parts as of March 2014.

©2014 Yamaha Motor Corporation, U.S.A. All rights reserved.

3MSHA 2002 / CONTROL



6L51110-2070

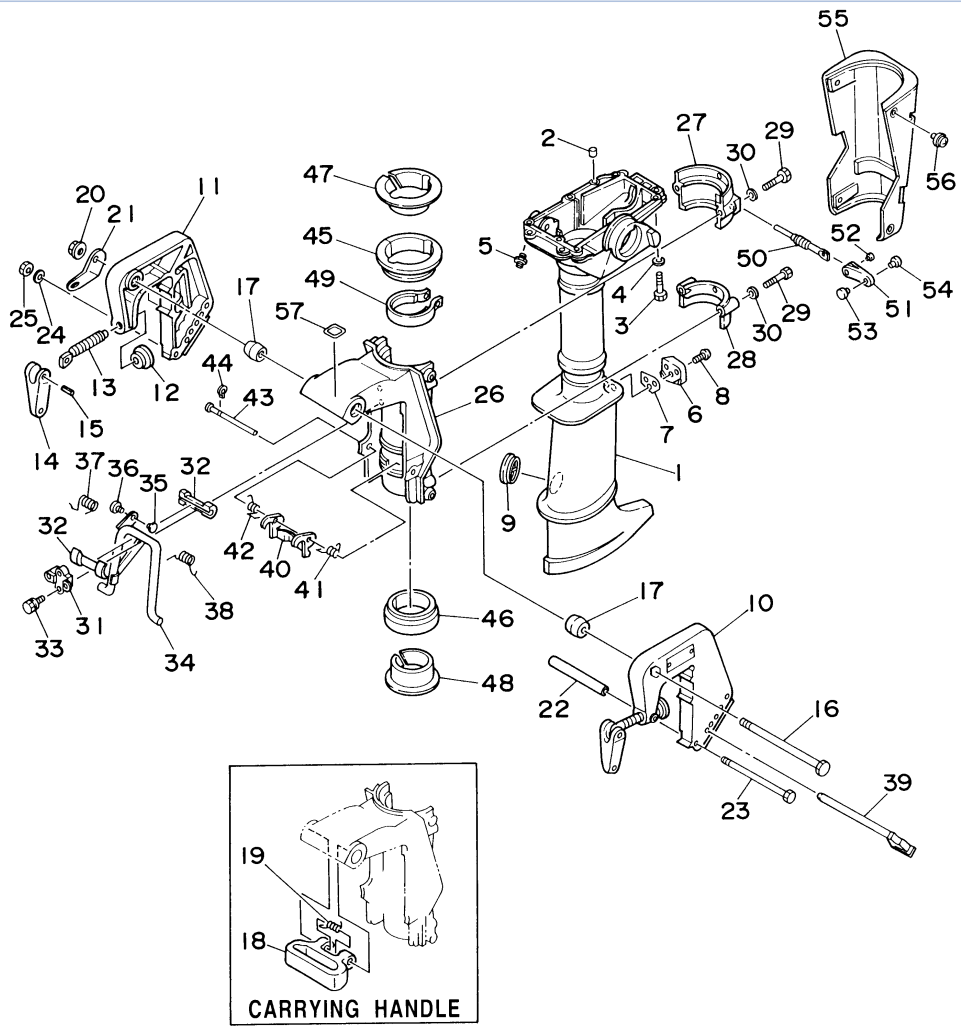
©2014 Yamaha Motor Corporation, U.S.A. All rights reserved.

Part List

3MSHA 2002 / CONTROL

REF - NO	PART NUMBER	PART NAME	QUANTITY	REMARKS
1	6G1-42111-11-4D	HANDLE, STEERING	1	(3MH)
2	90206-36M21-00	WASHER, WAVE	1	(3MH)
3	90202-36M55-00	WASHER, PLATE	1	(3MH)
4	90386-34M97-00	BUSH	1	(3MH)
5	90386-33M96-00	BUSH	1	(3MH)
6	6G1-42131-01-00	COVER, HANDLE STEERING	1	(3MH)
7	97095-06020-00	BOLT	1	(3MH)
8	664-42119-00-00	GRIP, STEERING HANDLE	1	(3MH)
9	6G1-42177-00-00	RUBBER, HANDLE	1	(3MH)
10	6L5-42137-00-00	INDICATOR, THROTTLE	1	(3MH)
11	90269-02M09-00	RIVET	1	(3MH)
12	90501-23215-00	SPRING, COMPRESSION	1	(3MH)
13	92903-10600-00	WASHER, PLATE	1	(3MH)
14	90149-05M13-00	SCREW	1	(3MH)
15	90209-08M17-00	WASHER	1	(3MH)
16	90386-08032-00	BUSH	1	(3MH)
17	6G1-42138-01-00	LEVER, THROTTLE	1	(3MH)
18	6E0-42159-02-00	STAY	1	(3MH)
19	97885-05012-00	SCREW, PAN HEAD	2	(3MH)
20	6L5-42125-00-00	BOLT, FRICTION ADJUSTING	1	(3MH)
21	6G1-42126-00-00	FRICTION, STEERING HANDLE GRIP	1	(3MH)
22	99080-03600-00	CIRCLIP	1	(3MH)
23	6L5-26301-01-00	THROTTLE CABLE ASSY	1	(3MH)
24	6L5-44111-00-00	HANDLE, GEAR SHIFT	1	(3MH)
25	93210-12327-00	.O-RING	1	(3MH)
26	6L5-44196-00-00	INDICATOR 3	1	(3MH)
27	6L5-44197-00-00	INDICATOR 4	1	(3MH)
28	93505-16024-00	BALL	1	(3MH)
29	90501-12274-00	SPRING, COMPRESSION	1	(3MH)
30	6L5-44121-00-00	LEVER, SHIFT ROD	1	(3MH)
31	97780-40520-00	.SCREW, TAPPING	1	(3MH)
32	92990-04600-00	WASHER, PLATE	1	(3MH)
33	6L5-44143-00-00	ROD, SHIFT	1	(3MH)
34	92990-05600-00	WASHER, PLATE	1	(3MH)
35	91490-16010-00	PIN. COTTER	1	(3MH)
36	6E0-44145-00-00	CONNECTOR, SHIFT ROD	1	(3MH)
37	6E0-44146-00-00	CONNECTOR, SHIFT ROD	1	(3MH)
38	95895-06020-00	BOLT, FLANGE	1	(3MH)
39	6L5-44144-00-00	ROD, SHIFT	1	S(3MH)
40	91609-25014-00	PIN, SPRING	1	(3MH)
41	6L5-42731-00-4D	CARRYING HANDLE	1	(3MH)
42	6L5-42735-00-00	PROTECTOR	1	(3MH)
43	90161-04M02-00	SCREW, TAPPING	2	(3MH)
44	97095-06020-00	BOLT	2	(3MH)
45	92995-06600-00	WASHER	2	(3MH)
46	6A1-2415A-41-00	LABEL, CAUTION	1	(3MH)

3MSHA 2002 / UPPER CASING BRACKET



6L51110-2080

©2014 Yamaha Motor Corporation, U.S.A. All rights reserved.


Part List

3MSHA 2002 / UPPER CASING BRACKET

REF - NO	PART NUMBER	PART NAME	QUANTITY	REMARKS
1	6L5-45111-02-4D	CASING, UPPER	1	(3MH)
2	93604-12M07-00	PIN, DOWEL	2	(3MH)
3	97095-06030-00	BOLT	6	(3MH)
4	92995-06600-00	WASHER	6	(3MH)
5	93700-06M03-00	NIPPLE, GREASE	1	(3MH)
6	6L5-45152-00-00	COVER, UPPER CASING 2	1	(3MH)
7	6L5-45115-A0-00	GASKET, UPPER CASING	1	(3MH)
8	90149-05M08-00	SCREW	1	(3MH)
9	647-45151-01-00	COVER, UPPER CASING	1	(3MH)
10	6L5-43111-01-4D	BRACKET, CLAMP	1	(3MH)
11	6L5-43112-00-4D	BRACKET, CLAMP	1	(3MH)
12	620-43114-00-00	PAD, TRANSOM CLAMP	2	(3MH)
13	6E0-43116-01-00	SCREW, TRANSOM CLAMP	2	(3MH)
14	6E0-43118-01-00	HANDLE, TRANSOM CLAMP	2	(3MH)
15	90243-04M01-00	PIN	2	(3MH)
16	90101-08M10-00	BOLT	1	(3MH)
17	6G1-43136-00-00	PIECE, FRICTION	2	(3MH)
18	6L5-42121-00-00	BRACKET	1	(3MH)
19	90508-16M30-00	SPRING, TORSION	1	(3MH)
20	90185-08057-00	NUT, SELF-LOCKING	1	(3MH)
21	6A1-43113-01-00	PLATE, CLAMP BRACKET	1	(3MH)
22	90387-06M11-00	COLLAR	1	(3MH)
23	90101-06335-00	BOLT	1	(3MH)
24	92990-06600-00	WASHER, PLATE	1	(3MH)
25	95380-06600-00	NUT, HEXAGON	1	(3MH)
26	6L5-43311-01-4D	BRACKET, SWIVEL 1	1	(3MH)
27	6L5-44511-00-4D	COVER, UPPER MOUNT	1	(3MH)
28	6L5-44553-00-4D	COVER, LOWER MOUNT	1	(3MH)
29	97095-06035-00	BOLT	4	(3MH)
30	92995-06600-00	WASHER	4	(3MH)
31	6E0-43313-00-4D	BRACKET, SWIVEL 3	1	(3MH)
32	620-43189-00-00	BUSHING	2	(3MH)
33	95895-06020-00	BOLT, FLANGE	2	(3MH)
34	6L5-43181-00-00	LEVER, TILT STOP	1	(3MH)
35	6L5-44196-00-00	INDICATOR 3	1	(3MH)
36	6L5-44197-00-00	INDICATOR 4	1	(3MH)
37	90508-16020-00	SPRING, TORSION	1	(3MH)
38	90508-16021-00	SPRING, TORSION	1	(3MH)
39	6L5-43160-00-00	TILT ROD ASSY	1	(3MH)
40	6L5-43614-00-00	PLATE, TILT LOCK	1	(3MH)
41	90508-08M26-00	SPRING, TORSION	1	(3MH)
42	90508-08M27-00	SPRING, TORSION	1	(3MH)
43	6L5-43659-00-00	SHAFT, REVERSE LOCK	1	(3MH)
44	99080-05600-00	CIRCLIP	1	(3MH)
45	6L5-42537-00-00	BUSHING, PIVOT SHAFT	1	(3MH)
46	6L5-42538-00-00	BUSHING, PIVOT SHAFT	1	(3MH)
47	6L5-42539-00-00	BUSHING, PIVOT SHAFT	1	(3MH)
48	6L5-42549-00-00	BUSHING, PIVOT SHAFT	1	(3MH)
49	6E0-42528-03-00	PLATE, FRICTION	1	(3MH)
50	6L5-42529-01-00	SCREW, FRICTION PIECE	1	(3MH)
51	6L5-42561-00-00	KNOB, STEERING LOCK	1	(3MH)
52	90266-04M05-00	RIVET	1	(3MH)
53	6L5-44196-00-00	INDICATOR 3	1	(3MH)
54	6L5-44197-00-00	INDICATOR 4	1	(3MH)
55	6L5-43318-11-00	COVER	1	(3MH)
56	90159-06M10-00	SCREW, WITH WASHER	4	(3MH)
57	6A1-42792-01-00	MARK (100:1)	1	(3MH)

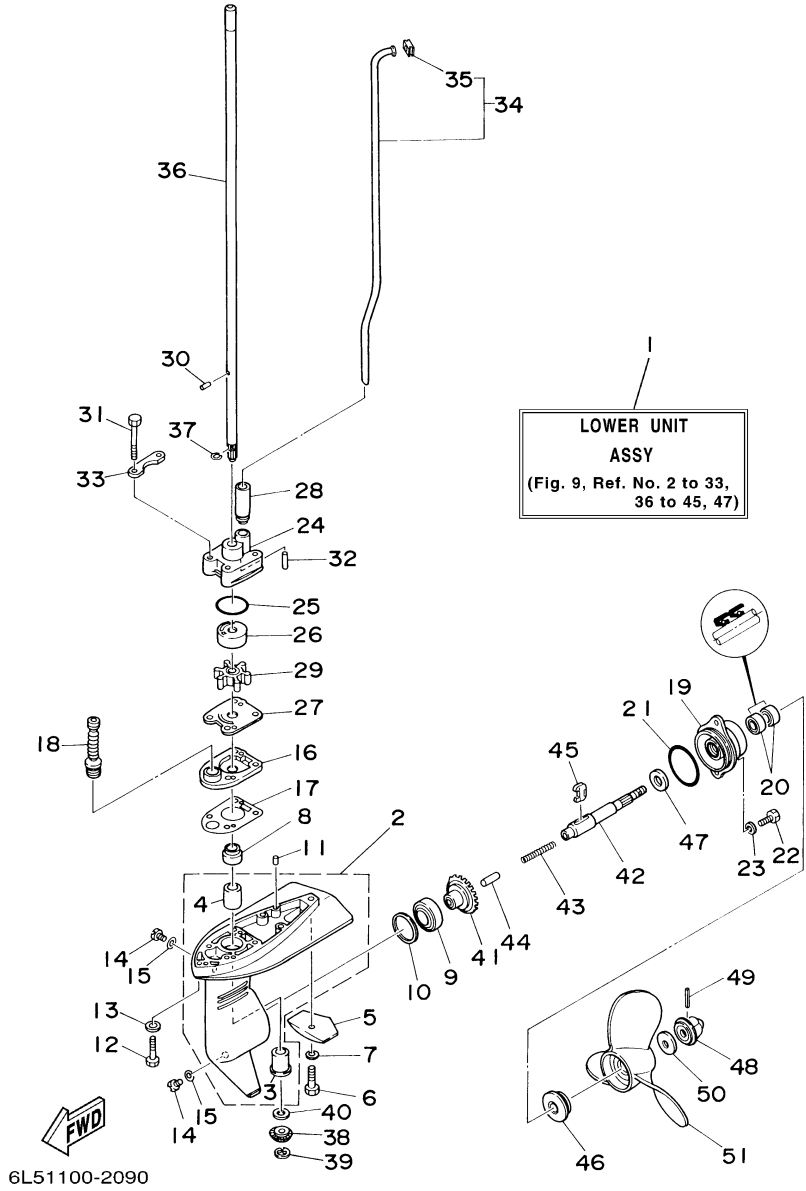
Part Notes

3MSHA 2002 / UPPER CASING BRACKET

PART NUMBER		NOTE TEXT
92990-06600-00		OEM: This part number is among the Top 100 Most Popular Marine Maintenance Parts as of March 2014.

©2014 Yamaha Motor Corporation, U.S.A. All rights reserved.

3MSHA 2002 / LOWER CASING DRIVE



©2014 Yamaha Motor Corporation, U.S.A. All rights reserved.

Part List


3MSHA 2002 / LOWER CASING DRIVE

REF - NO	PART NUMBER	PART NAME	QUANTITY	REMARKS
1	6L5-45300-01-4D	LOWER UNIT ASSY	1	S(3MH)
2	6L5-45311-00-4D	CASING, LOWER	1	(3MH)
3	6L5-45317-09-00	.BUSHING, DRIVE SHAFT	1	(3MH)
4	6L5-45316-09-00	.BUSHING, DRIVE SHAFT	1	(3MH)
5	6L5-45251-02-00	ANODE	1	(3MH)
6	95895-06030-00	BOLT, FLANGE	1	S(3MH)
7	92990-06300-00	WASHER, INTERNAL TOOTH	1	(3MH)
8	93103-09M41-00	.OIL SEAL	1	(3MH)
9	93316-003U0-00	BEARING	1	(3MH)
10	6L5-45567-00-00	SHIM	1	UN(3MH)
11	93604-12M07-00	PIN, DOWEL	2	(3MH)
12	97095-06030-00	BOLT	3	(3MH)
13	92995-06600-00	WASHER	3	(3MH)
14	90340-08M04-00	PLUG, STRAIGHT SCREW	2	(3MH)
15	90430-08020-00	.GASKET	2	(3MH)
16	6L5-45321-00-5B	PLATE	1	(3MH)
17	6L5-45315-A0-00	PACKING, LOWER CASING	1	(3MH)
18	6L2-44147-00-00	BOOT, SHIFT ROD	1	(3MH)
19	6L5-45361-00-4D	CAP, LOWER CASING	1	(3MH)
20	93101-13M12-00	.OIL SEAL	2	(3MH)
21	93210-48214-00	.O-RING	1	(3MH)
22	97095-06016-00	BOLT	2	(3MH)
23	92995-06600-00	WASHER	2	(3MH)
24	6L5-44311-00-00	HOUSING, WATER PUMP	1	(3MH)
25	93210-33M85-00	.O-RING	1	(3MH)
26	6L5-44322-00-00	.INSERT, CARTRIDGE	1	(3MH)
27	6L5-44323-00-00	OUTER PLATE, CARTRIDGE	1	(3MH)
28	6E0-44366-00-00	DAMPER, WATER SEAL 2	1	(3MH)
29	6L5-44352-00-00	.IMPELLER	1	(3MH)
30	93604-07M13-00	PIN, DOWEL	1	(3MH)
31	97095-06040-00	.BOLT	4	(3MH)
32	93604-18080-00	.PIN, DOWEL	2	(3MH)
33	6L5-44328-00-00	PLATE	2	(3MH)
34	6L5-44360-01-00	WATER TUBE ASSY	1	S(3MH)
35	646-44365-00-00	.DAMPER, WATER SEAL	1	(3MH)
36	6L5-45511-00-00	SHAFT, DRIVE	1	S(3MH)
37	90467-07M12-00	CLIP	1	(3MH)
38	6L5-45551-00-00	PINION (13T)	1	(3MH)
39	93430-06005-00	CIRCLIP	1	(3MH)
40	6L5-45533-00-23	SHIM (T:2.3MM)	1	UR(3MH)
40	6L5-45533-00-21	SHIM (T:2.1MM)	1	UR(3MH)
40	6L5-45533-00-20	SHIM (T:2.0MM)	1	UR(3MH)
40	6L5-45533-00-22	SHIM (T:2.2MM)	1	UR(3MH)
41	6L5-45560-00-00	GEAR 1 (27T)	1	(3MH)
42	6L5-45611-00-00	SHAFT, PROPELLER	1	(3MH)
43	90501-10064-00	SPRING, COMPRESSION	1	(3MH)
44	6L5-45635-00-00	PLUNGER, SHIFT	1	(3MH)
45	6L5-45631-00-00	CLUTCH, DOG	1	(3MH)
46	6L5-45987-01-00	SPACER	1	(3MH)
47	90201-13198-00	WASHER, PLATE	1	(3MH)
48	6L5-45616-00-00	NUT, PROPELLER	1	(3MH)
49	91490-25030-00	PIN. COTTER	1	(3MH)
50	90201-08M54-00	WASHER, PLATE	1	(3MH)
51	6L5-45947-00-EL	PROPELLER (3X7-1/4"X8-1/4"-BS)	1	UR(3MH)
51	6L5-45943-00-EL	PROPELLER (3X7-1/4"X6"-BS)	1	UR(3MH)
51	6L5-45949-00-EL	PROPELLER (3X7-1/4"X5"-BS)	1	UR(3MH)
51	6L5-45952-00-EL	PROPELLER (3X7-1/4"X5-1/2"-BS)	1	UR(3MH)

51	6L5-45945-00-EL	PROPELLER (3X7-1/4"X7-1/4"-BS)	1	UR(3MH)
----	-----------------	--------------------------------	---	---------

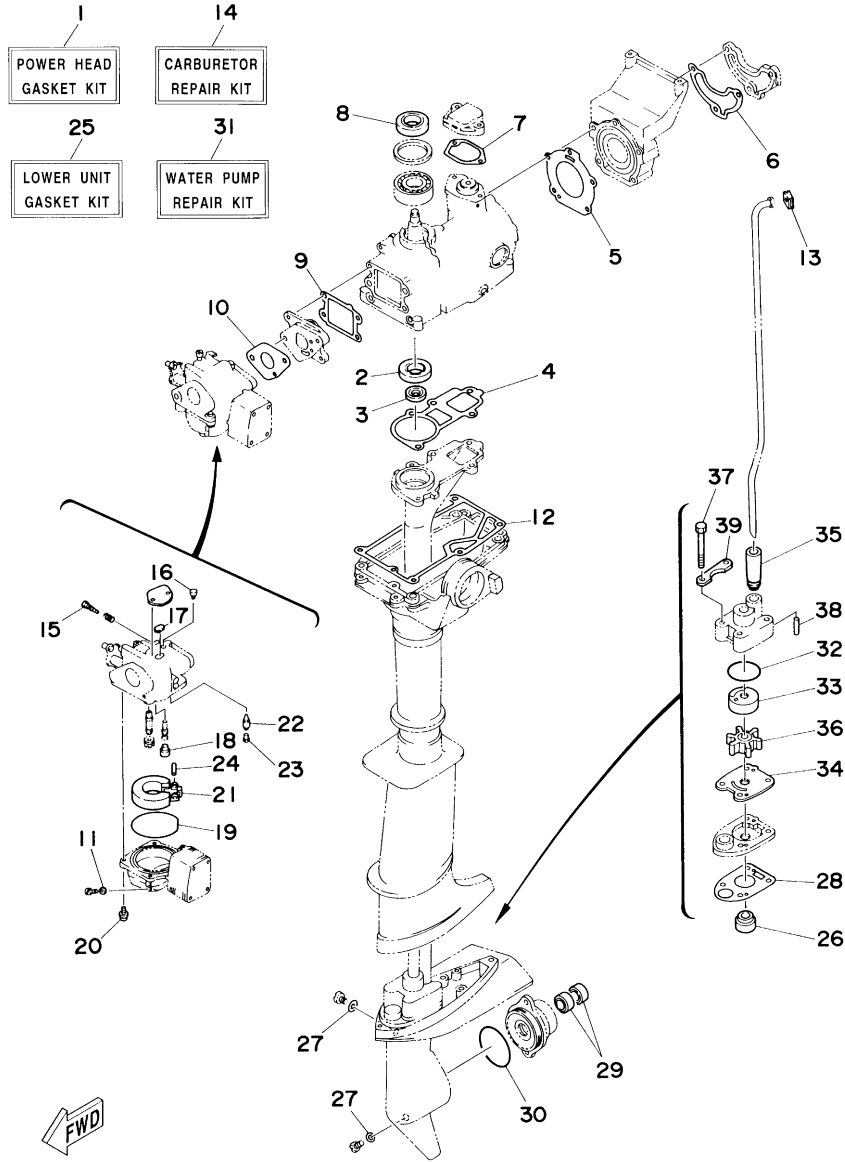
Part Notes

3MSHA 2002 / LOWER CASING DRIVE

PART NUMBER		NOTE TEXT
90430-08020-00		OEM: This part number is among the Top 100 Most Popular Marine Maintenance Parts as of March 2014.

©2014 Yamaha Motor Corporation, U.S.A. All rights reserved.

3MSHA 2002 / REPAIR KIT



6L50010-4100

©2014 Yamaha Motor Corporation, U.S.A. All rights reserved.


Part List

3MSHA 2002 / REPAIR KIT

REF - NO	PART NUMBER	PART NAME	QUANTITY	REMARKS
1	6L5-W0001-A1-00	POWER HEAD GASKET KIT	1	(3MH)
2	93101-20M29-00	.OIL SEAL	1	(3MH)
3	93101-09M42-00	.OIL SEAL	1	(3MH)
4	6L5-15369-A0-00	.GASKET, OIL SEAL HOUSING	1	(3MH)
5	6L5-11181-A2-00	.GASKET, CYLINDER HEAD 1	1	(3MH)
6	6L5-11193-A1-00	.GASKET, HEAD COVER 1	1	(3MH)
7	6L5-12414-A1-00	.GASKET, COVER	1	(3MH)
8	93102-20M06-00	.OIL SEAL	1	(3MH)
9	6L5-13621-A2-00	.GASKET, VALVE SEAT	1	(3MH)
10	6L5-14198-A1-00	.GASKET	1	(3MH)
11	6G1-14398-00-00	.WASHER	1	(3MH)
12	6L5-45113-A1-00	.GASKET, UPPER CASING	1	(3MH)
13	646-44365-00-00	.DAMPER, WATER SEAL	1	(3MH)
14	6G1-W0093-00-00	CARBURETOR REPAIR KIT	1	(3MH)
15	679-14923-00-00	.SCREW, PILOT	1	(3MH)
16	6G1-14966-00-00	.CAP	1	(3MH)
17	6G1-14126-00-00	.GASKET	1	(3MH)
18	676-14966-00-00	.CAP	1	(3MH)
19	6G1-14984-00-00	.O-RING	1	(3MH)
20	97980-04114-00	.SCREW, WITH WASHER	4	(3MH)
21	6G1-14985-00-00	.FLOAT	1	(3MH)
22	6G1-14546-00-00	.VALVE, NEEDLE	1	(3MH)
23	676-14186-00-00	.PIN, FLOAT	1	(3MH)
24	688-14548-00-00	.PIN, FLOAT ARM	1	(3MH)
25	6L5-W0001-21-00	LOWER UNIT GASKET KIT	1	(3MH)
26	93103-09M41-00	.OIL SEAL	1	(3MH)
27	90430-08020-00	.GASKET	2	(3MH)
28	6L5-45315-A0-00	.PACKING, LOWER CASING	1	(3MH)
29	93101-13M12-00	.OIL SEAL	2	(3MH)
30	93210-48214-00	.O-RING	1	(3MH)
31	6L5-W0078-00-00	WATER PUMP REPAIR KIT	1	(3MH)
32	93210-33M85-00	.O-RING	1	(3MH)
33	6L5-44322-00-00	.INSERT, CARTRIDGE	1	(3MH)
34	6L5-44323-00-00	.OUTER PLATE, CARTRIDGE	1	(3MH)
35	6E0-44366-00-00	.DAMPER, WATER SEAL 2	1	(3MH)
36	6L5-44352-00-00	.IMPELLER	1	(3MH)
37	97095-06040-00	.BOLT	4	(3MH)
38	93604-18080-00	.PIN, DOWEL	2	(3MH)
39	6L5-44328-00-00	.PLATE	2	(3MH)

Part Notes

3MSHA 2002 / REPAIR KIT

PART NUMBER	NOTE TEXT
90430-08020-00 	OEM: This part number is among the Top 100 Most Popular Marine Maintenance Parts as of March 2014.

©2014 Yamaha Motor Corporation, U.S.A. All rights reserved.

©2014 Yamaha Motor Corporation, U.S.A. All rights reserved.