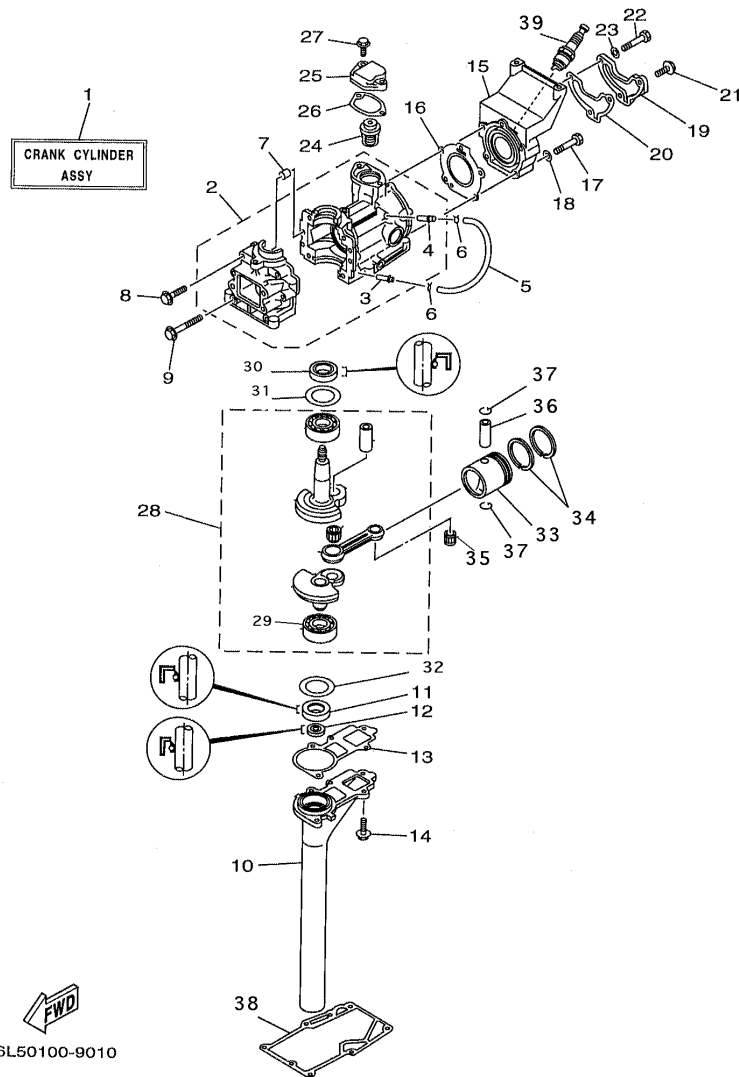


3MLHX 1999 / CYLINDER CRANKCASE



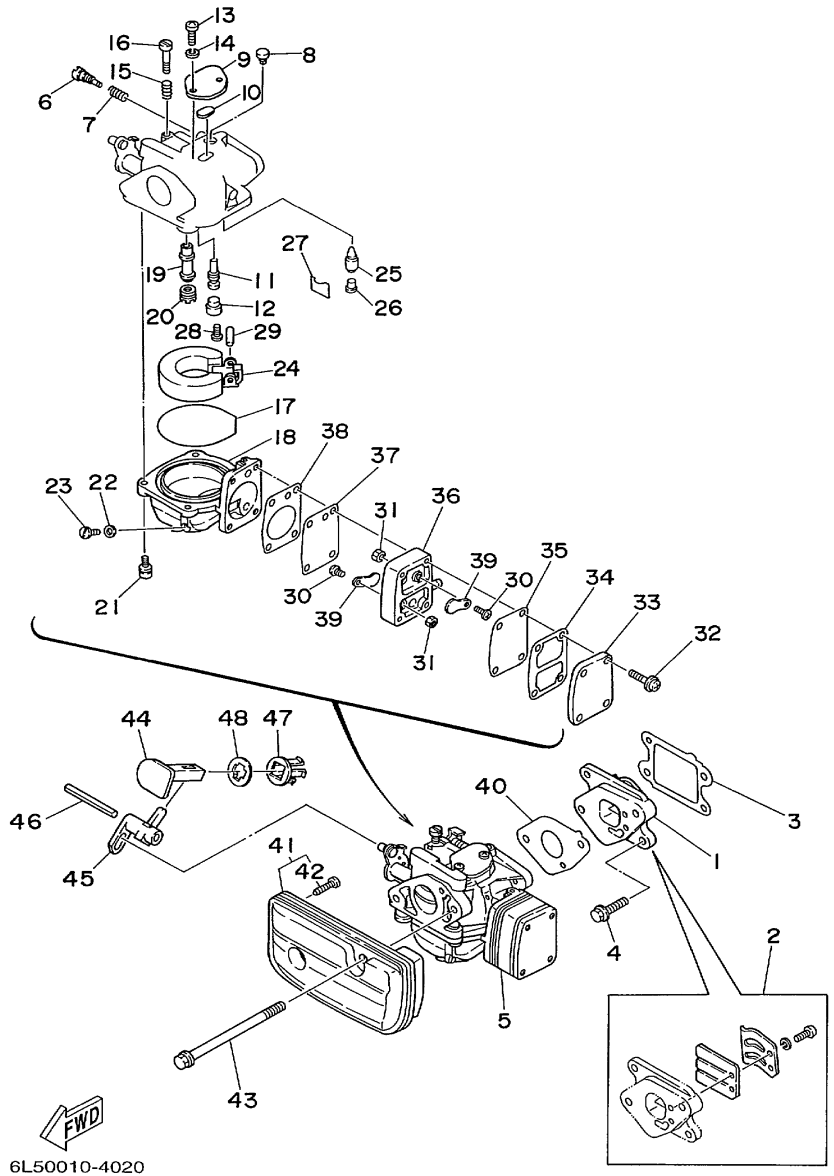
©2014 Yamaha Motor Corporation, U.S.A. All rights reserved.

Part List

3MLHX 1999 / CYLINDER CRANKCASE

| REF - NO | PART NUMBER | PART NAME | QUANTITY | REMARKS |
|----------------|-----------------|------------------------------|----------|---------|
| 1 | 6L5-W0090-01-1S | CRANK CYLINDER ASSY | 1 | |
| 2 | 6L5-15100-00-1S | CRANKCASE ASSY | 1 | |
| 3 | 624-14485-00-00 | .PIPE, JOINT | 1 | |
| 4 | 6E5-11372-00-00 | .NIPPLE, HOSE | 1 | |
| 5 | 90445-07M29-00 | HOSE (L135) | 1 | |
| 6 | 90467-06016-00 | CLIP | 2 | |
| 7 | 93606-12019-00 | .PIN, DOWEL | 2 | |
| 8 | 90105-06M16-00 | BOLT, FLANGE | 4 | |
| 9 | 90105-06M40-00 | BOLT, FLANGE | 2 | |
| 10 | 6L5-15396-00-94 | HOUSING, OIL SEAL | 1 | |
| 11 | 93101-20M29-00 | OIL SEAL | 1 | |
| 12 | 93101-09M42-00 | .OIL SEAL | 1 | |
| 13 | 6L5-15369-A0-00 | GASKET, OIL SEAL HOUSING | 1 | |
| 14 | 97595-06520-00 | BOLT, WITH WASHER | 5 | |
| 15 | 6L5-11111-00-1S | HEAD, CYLINDER 1 | 1 | |
| 16 | 6L5-11181-A2-00 | GASKET, CYLINDER HEAD 1 | 1 | |
| 17 | 97013-06028-00 | BOLT | 3 | |
| 18 | 92903-06600-00 | WASHER, PLATE | 3 | |
| 19 | 6L5-11191-00-1S | COVER, CYLINDER HEAD 1 | 1 | |
| 20 | 6L5-11193-A1-00 | GASKET, HEAD COVER 1 | 1 | |
| 21 | 97513-06520-00 | BOLT, WITH WASHER | 1 | |
| 22 | 97013-06050-00 | BOLT | 2 | |
| 23 | 92903-06600-00 | WASHER, PLATE | 2 | |
| 24 | 6E5-12411-01-00 | THERMOSTAT | 1 | |
| 25 | 6L5-12413-00-1S | COVER, THERMOSTAT | 1 | |
| 26 | 6L5-12414-A1-00 | GASKET, COVER | 1 | |
| 27 | 97513-06520-00 | BOLT, WITH WASHER | 2 | |
| 28 | 6L5-11400-00-00 | CRANKSHAFT ASSY | 1 | |
| 29 | 93306-204U0-00 | .BEARING | 2 | |
| 30 | 93102-20M06-00 | OIL SEAL | 1 | |
| 31 | 90201-32M00-00 | WASHER, PLATE | 1 | |
| 32 | 90201-32M01-00 | WASHER, PLATE | 1 | |
| 33 | 6L5-11631-00-96 | PISTON (STD) | 1 | |
| 33 | 6L5-11636-00-00 | PISTON (0.50MM O/S) | 1 | AP |
| 34 | 6L5-11610-20-00 | PISTON RING SET (0.50MM O/S) | 1 | AP |
| 34 | 6L5-11610-00-00 | PISTON RING SET (STD) | 1 | |
| 35 | 93310-112U0-00 | BEARING | 1 | |
| 36 | 6L5-11633-00-00 | PIN, PISTON | 1 | |
| 37 | 93450-13022-00 | CIRCLIP | 2 | |
| 38 | 6L5-45113-A1-00 | GASKET, UPPER CASING | 1 | |
| 39 | NGK-B6HS1-00-00 | PLUG SPARK (NGK B6HS-10) | 1 | |

3MLHX 1999 / INTAKE



6L50010-4020

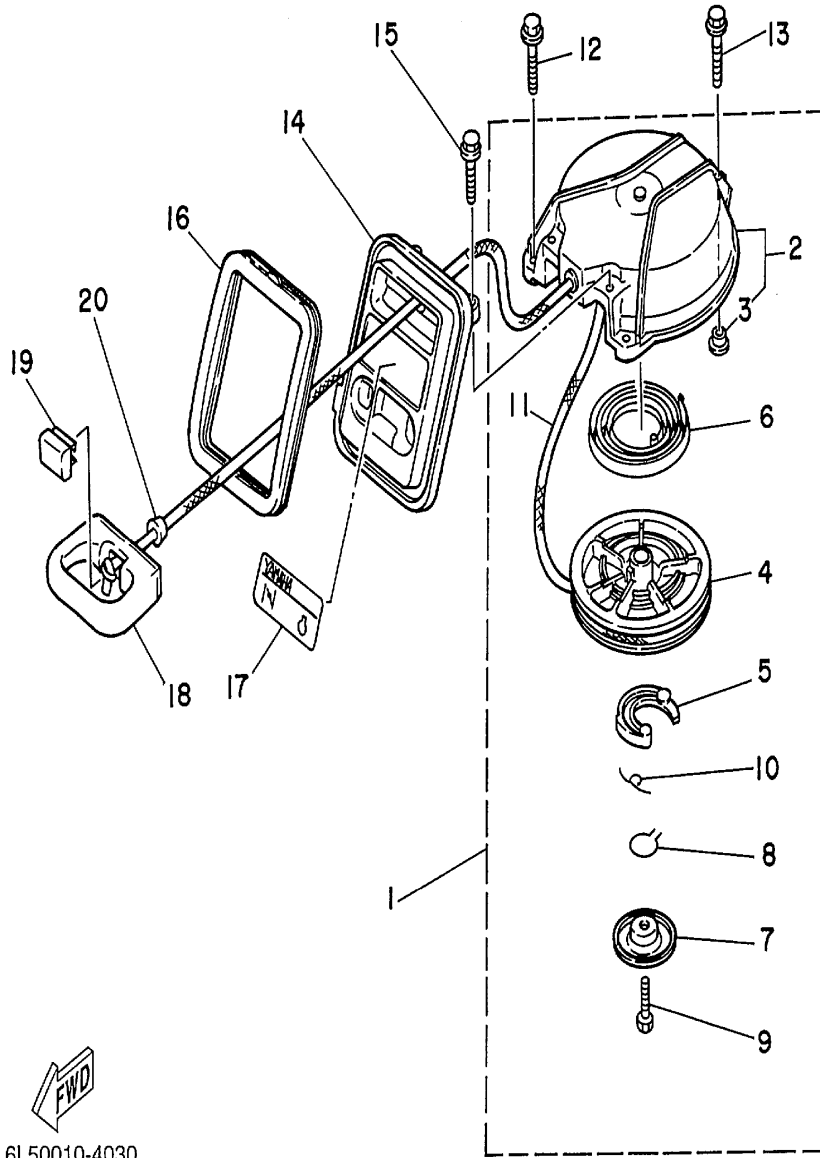
©2014 Yamaha Motor Corporation, U.S.A. All rights reserved.

Part List

3MLHX 1999 / INTAKE

| REF - NO | PART NUMBER | PART NAME | QUANTITY | REMARKS |
|----------------|-----------------|-----------------------|----------|---------|
| 1 | 6L5-13610-02-00 | REED VALVE ASSY | 1 | |
| 2 | 6L5-W0004-02-00 | .REED SET | 1 | |
| 3 | 6L5-13621-A2-00 | GASKET, VALVE SEAT | 1 | |
| 4 | 95895-06016-00 | BOLT, FLANGE | 2 | |
| 5 | 6L5-14301-03-00 | CARBURETOR ASSY 1 | 1 | |
| 6 | 679-14923-00-00 | .SCREW, PILOT | 1 | |
| 7 | 679-14555-00-00 | .SPRING | 1 | |
| 8 | 6G1-14966-00-00 | .CAP | 1 | |
| 9 | 6G1-14527-00-00 | .PLATE | 1 | |
| 10 | 6G1-14126-00-00 | .GASKET | 1 | |
| 11 | 6L5-14948-03-00 | .JET (#40) | 1 | |
| 12 | 676-14966-00-00 | .CAP | 1 | |
| 13 | 97880-04010-00 | .SCREW, PAN HEAD | 2 | |
| 14 | 92990-04100-00 | .WASHER, SPRING | 2 | |
| 15 | 90501-10326-00 | .SPRING, COMPRESSION | 1 | |
| 16 | 63V-14523-00-00 | .SCREW, STOP | 1 | |
| 17 | 6G1-14984-00-00 | .O-RING | 1 | |
| 18 | 6G1-14980-01-00 | .BODY, FLOAT CHAMBER | 1 | |
| 19 | 6L5-14947-01-00 | .JET, NEEDLE | 1 | |
| 20 | 676-14943-14-00 | .JET, MAIN (#68) | 1 | |
| 21 | 97980-04114-00 | .SCREW, WITH WASHER | 4 | |
| 22 | 6G1-14398-00-00 | .WASHER | 1 | |
| 23 | 6G1-14992-00-00 | .SCREW, DRAIN | 1 | |
| 24 | 6G1-14985-00-00 | .FLOAT | 1 | |
| 25 | 6G1-14546-00-00 | .VALVE, NEEDLE | 1 | |
| 26 | 676-14186-00-00 | .PIN, FLOAT | 1 | |
| 27 | 663-14159-00-00 | .CLIP | 1 | |
| 28 | 98580-04008-00 | .SCREW, PAN HEAD | 1 | |
| 29 | 688-14548-00-00 | .PIN, FLOAT ARM | 1 | |
| 30 | 98580-03006-00 | .SCREW, PAN HEAD | 2 | |
| 31 | 95380-03600-00 | .NUT | 2 | |
| 32 | 97980-04125-00 | .SCREW, WITH WASHER | 4 | |
| 33 | 6G1-24452-00-00 | .COVER | 1 | |
| 34 | 6G1-24432-00-00 | .GASKET, FUEL PUMP 2 | 1 | |
| 35 | 6G1-24471-00-00 | .DIAPHRAGM | 1 | |
| 36 | 6G1-24412-01-00 | .BODY 1 | 1 | |
| 37 | 6G1-24411-00-00 | .DIAPHRAGM | 1 | |
| 38 | 6G1-24431-01-00 | .GASKET, FUEL PUMP 1 | 1 | |
| 39 | 6L5-24421-00-00 | .VALVE, CHECK | 2 | |
| 40 | 6L5-14198-A1-00 | GASKET | 1 | |
| 41 | 6L5-14440-00-00 | SILENCER ASSY, INTAKE | 1 | |
| 42 | 97780-40716-00 | .SCREW, TAPPING | 2 | |
| 43 | 95895-06095-00 | BOLT, FLANGE | 2 | |
| 44 | 6L5-41271-00-00 | KNOB, CHOKE | 1 | |
| 45 | 6L5-41252-00-00 | LEVER, CHOKE 1 | 1 | |
| 46 | 91690-40048-00 | PIN, SPRING | 1 | |
| 47 | 689-41273-00-00 | GROMMET | 1 | |
| 48 | 6J8-41274-00-00 | GROMMET 2 | 1 | |

3MLHX 1999 / STARTER



6L50010-4030

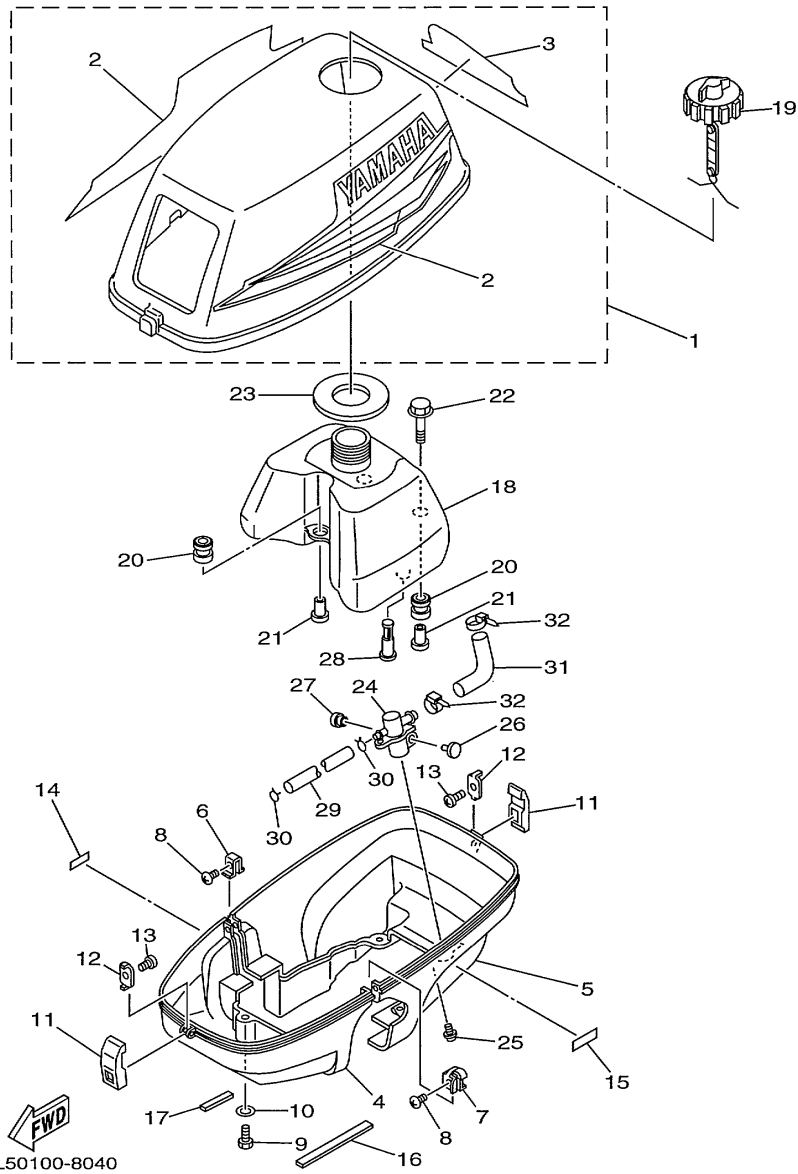
©2014 Yamaha Motor Corporation, U.S.A. All rights reserved.

Part List

3MLHX 1999 / STARTER

| REF - NO | PART NUMBER | PART NAME | QUANTITY | REMARKS |
|----------------|-----------------|---------------------|----------|---------|
| 1 | 6L5-15710-00-00 | STARTER ASSY | 1 | |
| 2 | 6L5-15711-00-00 | .CASE, STARTER | 1 | |
| 3 | 90387-06M70-00 | COLLAR | 1 | |
| 4 | 6L5-15714-00-00 | .DRUM, SHEAVE | 1 | |
| 5 | 6L5-15741-00-00 | .PAWL, DRIVE | 1 | |
| 6 | 6L5-15713-00-00 | .SPRING, STARTER | 1 | |
| 7 | 6L5-15716-00-00 | .PLATE, DRIVE | 1 | |
| 8 | 6A1-15705-00-00 | .SPRING, DRIVE PAWL | 1 | |
| 9 | 97313-06012-00 | .BOLT | 1 | |
| 10 | 6A1-15767-00-00 | .SPRING | 1 | |
| 11 | 90580-40M02-00 | .ROPE, STARTER | 1 | |
| 12 | 95895-06020-00 | BOLT, FLANGE | 2 | |
| 13 | 95895-06035-00 | BOLT, FLANGE | 1 | |
| 14 | 6L5-15758-00-98 | GUIDE, ROPE | 1 | |
| 15 | 95895-06016-00 | BOLT, FLANGE | 2 | |
| 16 | 6L5-15761-00-00 | SEAL, RUBBER 1 | 1 | |
| 17 | 6L5-42677-00-00 | GRAPHIC, FRONT | 1 | |
| 18 | 6L5-15755-00-00 | HANDLE, STARTER | 1 | |
| 19 | 6L5-15779-00-00 | COVER | 1 | |
| 20 | 6L5-15789-00-00 | DAMPER | 1 | |

3MLHX 1999 / COWLING FUEL



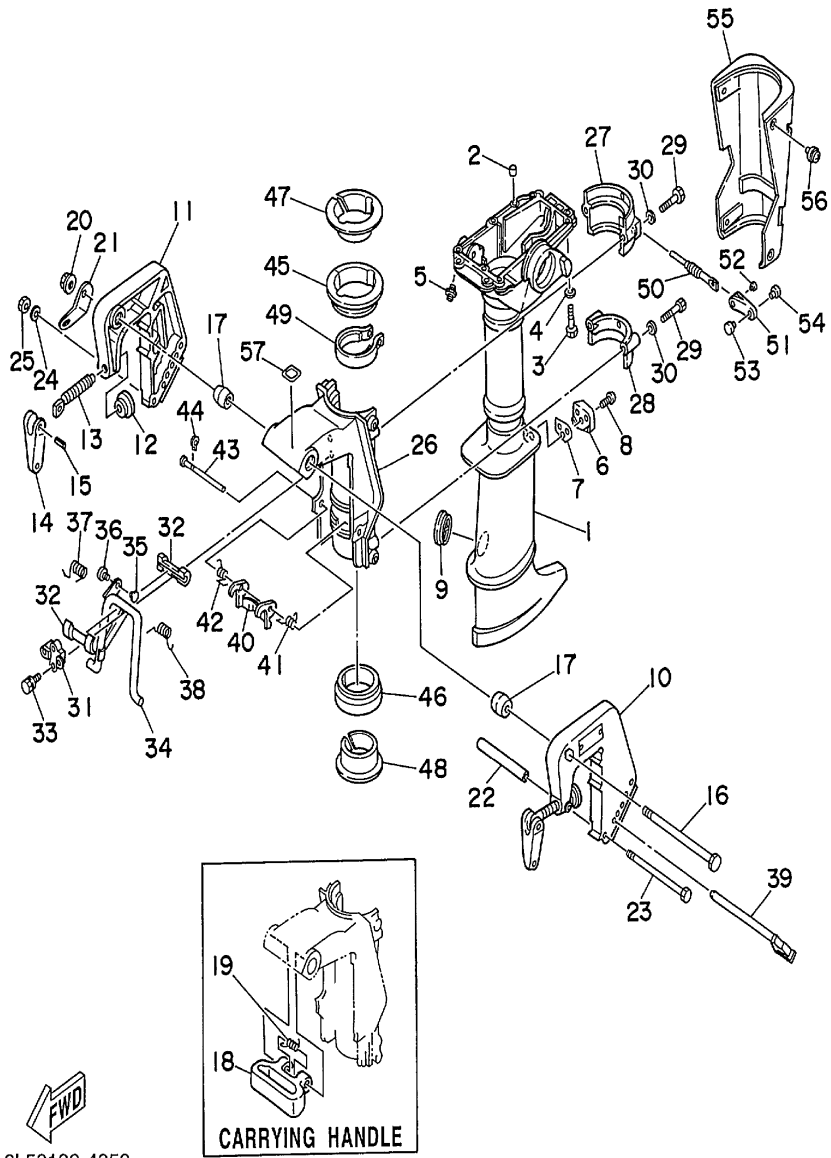
©2014 Yamaha Motor Corporation, U.S.A. All rights reserved.

Part List

3MLHX 1999 / COWLING FUEL

| REF - NO | PART NUMBER | PART NAME | QUANTITY | REMARKS |
|----------------|-----------------|-----------------------|----------|---------|
| 1 | 6L5-42610-13-4D | TOP COWLING ASSY | 1 | |
| 2 | 6L5-W0070-13-00 | .GRAPHIC SET | 1 | |
| 3 | 6L5-42678-12-00 | .GRAPHIC, REAR | 1 | |
| 4 | 6L5-42711-11-00 | COWLING, BOTTOM | 1 | |
| 5 | 6L5-42712-12-00 | COWLING, BOTTOM | 1 | |
| 6 | 6L5-42774-00-00 | STAY, APRON 1 | 1 | |
| 7 | 6L5-42775-00-00 | STAY, APRON 2 | 1 | |
| 8 | 97880-05010-00 | SCREW, PAN HEAD | 2 | |
| 9 | 97095-06016-00 | BOLT | 4 | |
| 10 | 92995-06600-00 | WASHER | 4 | |
| 11 | 6L5-42647-00-00 | HOLDER, CLAMP BAND | 2 | |
| 12 | 6L5-42823-00-00 | PLATE, STOP | 2 | |
| 13 | 90167-03M02-00 | SCREW, TAPPING | 2 | |
| 14 | 6L5-44191-00-00 | INDICATOR, SHIFT | 1 | |
| 15 | 6L5-24591-00-00 | EMBLEM, FUEL COCK | 1 | |
| 16 | 6L5-42662-00-00 | DAMPER | 1 | |
| 17 | 6L5-42663-00-00 | DAMPER | 1 | |
| 18 | 6L5-24111-02-00 | TANK, FUEL | 1 | |
| 19 | 6L5-24610-00-00 | CAP ASSY | 1 | |
| 20 | 6A0-82317-00-00 | DAMPER, IGNITION COIL | 3 | |
| 21 | 624-42542-00-00 | PIPE | 3 | |
| 22 | 90119-06M65-00 | BOLT, WITH WASHER | 2 | |
| 23 | 6L5-24641-00-00 | GASKET, CAP 1 | 1 | |
| 24 | 6L5-24500-60-00 | FUEL COCK ASSY 1 | 1 | |
| 25 | 90159-06M10-00 | SCREW, WITH WASHER | 1 | |
| 26 | 6L5-44196-00-00 | INDICATOR 3 | 1 | |
| 27 | 6L5-44197-00-00 | INDICATOR 4 | 1 | |
| 28 | 6L5-24251-00-00 | STRAINER 1 | 1 | |
| 29 | 6L5-24311-00-00 | PIPE, FUEL 1 | 1 | |
| 30 | 90467-08004-00 | CLIP | 2 | |
| 31 | 6L5-24312-00-00 | PIPE 2 | 1 | |
| 32 | 90465-13M11-00 | CLAMP | 2 | |

3MLHX 1999 / UPPER CASING BRACKET



6L50100-4050

©2014 Yamaha Motor Corporation, U.S.A. All rights reserved.


Part List

3MLHX 1999 / UPPER CASING BRACKET

| REF - NO | PART NUMBER | PART NAME | QUANTITY | REMARKS |
|----------|-----------------|-----------------------|----------|---------|
| 1 | 6L5-45111-02-4D | CASING, UPPER | 1 | |
| 2 | 93604-12M07-00 | PIN, DOWEL | 2 | |
| 3 | 97095-06030-00 | BOLT | 6 | |
| 4 | 92995-06600-00 | WASHER | 6 | |
| 5 | 93700-06M03-00 | NIPPLE, GREASE | 1 | |
| 6 | 6L5-45152-00-00 | COVER, UPPER CASING 2 | 1 | |
| 7 | 6L5-45115-A0-00 | GASKET, UPPER CASING | 1 | |
| 8 | 90149-05M08-00 | SCREW | 1 | |
| 9 | 647-45151-01-00 | COVER, UPPER CASING | 1 | |
| 10 | 6L5-43111-01-4D | BRACKET, CLAMP | 1 | |
| 11 | 6L5-43112-00-4D | BRACKET, CLAMP | 1 | |
| 12 | 620-43114-00-00 | PAD, TRANSOM CLAMP | 2 | |
| 13 | 6E0-43116-01-00 | SCREW, TRANSOM CLAMP | 2 | |
| 14 | 6E0-43118-01-00 | HANDLE, TRANSOM CLAMP | 2 | |
| 15 | 90243-04M01-00 | PIN | 2 | |
| 16 | 90101-08M10-00 | BOLT | 1 | |
| 17 | 6G1-43136-00-00 | PIECE, FRICTION | 2 | |
| 18 | 6L5-42121-00-00 | BRACKET | 1 | |
| 19 | 90508-16M30-00 | SPRING, TORSION | 1 | |
| 20 | 90185-08057-00 | NUT, SELF-LOCKING | 1 | |
| 21 | 6A1-43113-01-00 | PLATE, CLAMP BRACKET | 1 | |
| 22 | 90387-06M11-00 | COLLAR | 1 | |
| 23 | 90101-06335-00 | BOLT | 1 | |
| 24 | 92990-06600-00 | WASHER, PLATE | 1 | |
| 25 | 95380-06600-00 | NUT, HEXAGON | 1 | |
| 26 | 6L5-43311-01-4D | BRACKET, SWIVEL 1 | 1 | |
| 27 | 6L5-44511-00-4D | COVER, UPPER MOUNT | 1 | |
| 28 | 6L5-44553-00-4D | COVER, LOWER MOUNT | 1 | |
| 29 | 97095-06035-00 | BOLT | 4 | |
| 30 | 92995-06600-00 | WASHER | 4 | |
| 31 | 6E0-43313-00-94 | BRACKET, SWIVEL 3 | 1 | |
| 32 | 620-43189-00-00 | BUSHING | 2 | |
| 33 | 95895-06020-00 | BOLT, FLANGE | 2 | |
| 34 | 6L5-43181-00-00 | LEVER, TILT STOP | 1 | |
| 35 | 6L5-44196-00-00 | INDICATOR 3 | 1 | |
| 36 | 6L5-44197-00-00 | INDICATOR 4 | 1 | |
| 37 | 90508-16020-00 | SPRING, TORSION | 1 | |
| 38 | 90508-16021-00 | SPRING, TORSION | 1 | |
| 39 | 6L5-43160-00-00 | TILT ROD ASSY | 1 | |
| 40 | 6L5-43614-00-00 | PLATE, TILT LOCK | 1 | |
| 41 | 90508-08M26-00 | SPRING, TORSION | 1 | |
| 42 | 90508-08M27-00 | SPRING, TORSION | 1 | |
| 43 | 6L5-43659-00-00 | SHAFT, REVERSE LOCK | 1 | |
| 44 | 93430-05027-00 | CIRCLIP | 1 | |
| 45 | 6L5-42537-00-00 | BUSHING, PIVOT SHAFT | 1 | |
| 46 | 6L5-42538-00-00 | BUSHING, PIVOT SHAFT | 1 | |
| 47 | 6L5-42539-00-00 | BUSHING, PIVOT SHAFT | 1 | |
| 48 | 6L5-42549-00-00 | BUSHING, PIVOT SHAFT | 1 | |
| 49 | 6E0-42528-03-00 | PLATE, FRICTION | 1 | |
| 50 | 6L5-42529-01-00 | SCREW, FRICTION PIECE | 1 | |
| 51 | 6L5-42561-00-00 | KNOB, STEERING LOCK | 1 | |
| 52 | 90266-04M05-00 | RIVET | 1 | |
| 53 | 6L5-44196-00-00 | INDICATOR 3 | 1 | |
| 54 | 6L5-44197-00-00 | INDICATOR 4 | 1 | |
| 55 | 6L5-43318-11-00 | COVER | 1 | |
| 56 | 90159-06M10-00 | SCREW, WITH WASHER | 4 | |
| 57 | 6A1-42792-01-00 | MARK (100:1) | 1 | |

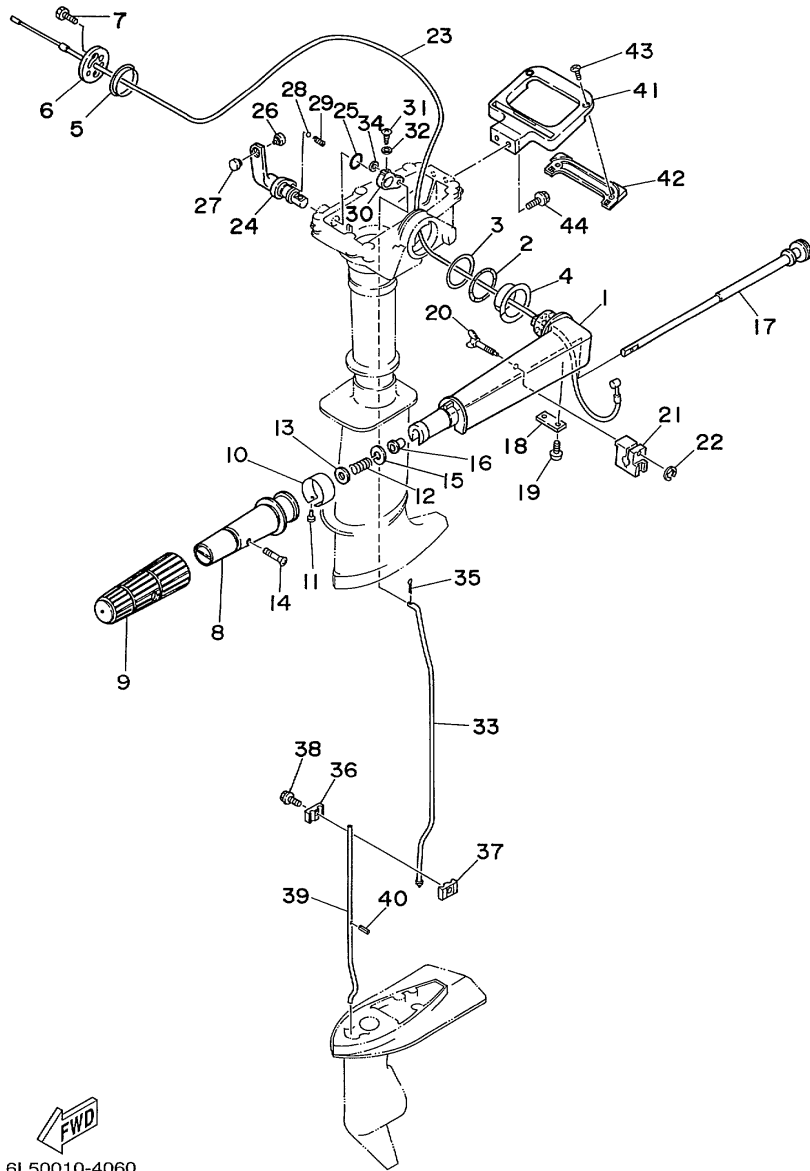
Part Notes

3MLHX 1999 / UPPER CASING BRACKET

| PART NUMBER | | NOTE TEXT |
|----------------|---|--|
| 92990-06600-00 |  | OEM: This part number is among the Top 100 Most Popular Marine Maintenance Parts as of March 2014. |

©2014 Yamaha Motor Corporation, U.S.A. All rights reserved.

3MLHX 1999 / CONTROL



6L50010-4060

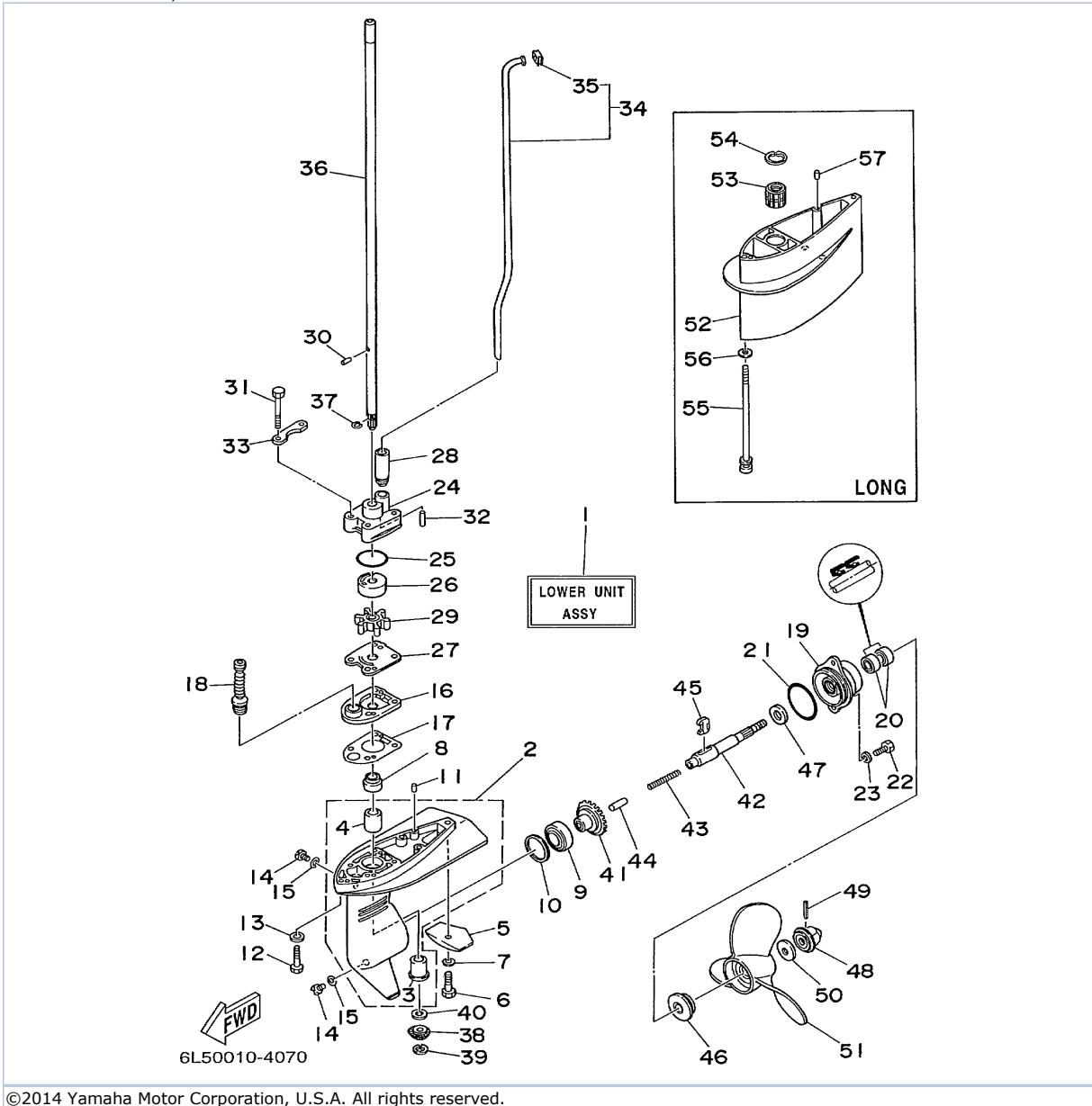
©2014 Yamaha Motor Corporation, U.S.A. All rights reserved.

Part List

3MLHX 1999 / CONTROL

| REF - NO | PART NUMBER | PART NAME | QUANTITY | REMARKS |
|----------------|-----------------|-----------------------------------|----------|----------|
| 1 | 6G1-42111-11-4D | HANDLE, STEERING | 1 | |
| 2 | 90206-36M21-00 | WASHER, WAVE | 1 | |
| 3 | 90202-36M55-00 | WASHER, PLATE | 1 | |
| 4 | 90386-34M97-00 | BUSH | 1 | |
| 5 | 90386-33M96-00 | BUSH | 1 | |
| 6 | 6G1-42131-01-00 | COVER, HANDLE STEERING | 1 | |
| 7 | 97095-06020-00 | BOLT | 1 | |
| 8 | 664-42119-00-00 | GRIP, STEERING HANDLE | 1 | |
| 9 | 6G1-42177-00-00 | RUBBER, HANDLE | 1 | |
| 10 | 6L5-42137-00-00 | INDICATOR, THROTTLE | 1 | |
| 11 | 90269-02M09-00 | RIVET | 1 | |
| 12 | 90501-23215-00 | SPRING, COMPRESSION | 1 | |
| 13 | 92903-10600-00 | WASHER, PLATE | 1 | |
| 14 | 90149-05M13-00 | SCREW | 1 | |
| 15 | 90209-08M17-00 | WASHER | 1 | |
| 16 | 90386-08032-00 | BUSH | 1 | |
| 17 | 6G1-42138-01-00 | LEVER, THROTTLE | 1 | |
| 18 | 6E0-42159-02-00 | STAY | 1 | |
| 19 | 97885-05012-00 | SCREW, PAN HEAD | 2 | |
| 20 | 6L5-42125-00-00 | BOLT, FRICTION ADJUSTING | 1 | |
| 21 | 6G1-42126-00-00 | FRICTION, STEERING HANDLE GRIP | 1 | |
| 22 | 99080-03600-00 | CIRCLIP | 1 | |
| 23 | 6L5-26301-01-00 | THROTTLE CABLE ASSY | 1 | |
| 24 | 6L5-44111-00-00 | HANDLE, GEAR SHIFT | 1 | |
| 25 | 93210-12327-00 | .O-RING | 1 | |
| 26 | 6L5-44196-00-00 | INDICATOR 3 | 1 | |
| 27 | 6L5-44197-00-00 | INDICATOR 4 | 1 | |
| 28 | 93505-16024-00 | BALL | 1 | |
| 29 | 90501-12274-00 | SPRING, COMPRESSION | 1 | |
| 30 | 6L5-44121-00-00 | LEVER, SHIFT ROD | 1 | |
| 31 | 97780-40520-00 | .SCREW, TAPPING | 1 | |
| 32 | 92990-04600-00 | WASHER, PLATE | 1 | |
| 33 | 6L5-44143-00-00 | ROD, SHIFT | 1 | |
| 34 | 92990-05600-00 | WASHER, PLATE | 1 | |
| 35 | 91490-16010-00 | PIN. COTTER | 1 | |
| 36 | 6E0-44145-00-00 | CONNECTOR, SHIFT ROD | 1 | |
| 37 | 6E0-44146-00-00 | CONNECTOR, SHIFT ROD | 1 | |
| 38 | 95895-06020-00 | BOLT, FLANGE | 1 | |
| 39 | 6L5-44144-10-00 | ROD, SHIFT | 1 | UR LONG |
| 39 | 6L5-44144-00-00 | ROD, SHIFT | 1 | UR SHORT |
| 40 | 91609-25014-00 | PIN, SPRING | 1 | |
| 41 | 6L5-42731-00-4D | CARRYING HANDLE | 1 | |
| 42 | 6L5-42735-00-00 | PROTECTOR | 1 | |
| 43 | 90161-04M02-00 | SCREW, TAPPING | 2 | |
| 44 | 97595-06520-00 | BOLT, WITH WASHER | 2 | |

3MLHX 1999 / LOWER CASING DRIVE 1



Part List



3MLHX 1999 / LOWER CASING DRIVE 1

| REF - NO | PART NUMBER | PART NAME | QUANTITY | REMARKS |
|----------|-----------------|--------------------------------|----------|----------|
| 1 | 6L5-45300-01-4D | LOWER UNIT ASSY | 1 | UR SHORT |
| 1 | 6L5-45300-11-4D | LOWER UNIT ASSEMBLY | 1 | UR LONG |
| 2 | 6L5-45311-00-4D | CASING, LOWER | 1 | |
| 3 | 6L5-45317-09-00 | .BUSHING, DRIVE SHAFT | 1 | |
| 4 | 6L5-45316-09-00 | .BUSHING, DRIVE SHAFT | 1 | |
| 5 | 6L5-45251-02-00 | ANODE | 1 | |
| 6 | 95895-06030-00 | BOLT, FLANGE | 1 | UR SHORT |
| 6 | 90101-06M18-00 | BOLT | 1 | UR LONG |
| 7 | 92990-06300-00 | WASHER, INTERNAL TOOTH | 1 | |
| 8 | 93103-09M41-00 | .OIL SEAL | 1 | |
| 9 | 93316-003U0-00 | BEARING | 1 | |
| 10 | 6L5-45567-00-00 | SHIM | 1 | UR |
| 11 | 93604-12M07-00 | PIN, DOWEL | 2 | |
| 12 | 97095-06030-00 | .BOLT | 3 | |
| 13 | 92995-06600-00 | WASHER | 3 | |
| 14 | 90340-08M04-00 | PLUG, STRAIGHT SCREW | 2 | |
| 15 | 90430-08020-00 | .GASKET | 2 | |
| 16 | 6L5-45321-00-5B | PLATE | 1 | |
| 17 | 6L5-45315-A0-00 | .PACKING, LOWER CASING | 1 | |
| 18 | 6L2-44147-00-00 | BOOT, SHIFT ROD | 1 | |
| 19 | 6L5-45361-00-4D | CAP, LOWER CASING | 1 | |
| 20 | 93101-13M12-00 | .OIL SEAL | 2 | |
| 21 | 93210-48214-00 | .O-RING | 1 | |
| 22 | 97095-06016-00 | BOLT | 2 | |
| 23 | 92995-06600-00 | WASHER | 2 | |
| 24 | 6L5-44311-00-00 | HOUSING, WATER PUMP | 1 | |
| 25 | 93210-33M85-00 | .O-RING | 1 | |
| 26 | 6L5-44322-00-00 | .INSERT, CARTRIDGE | 1 | |
| 27 | 6L5-44323-00-00 | .OUTER PLATE, CARTRIDGE | 1 | |
| 28 | 6E0-44366-00-00 | .DAMPER, WATER SEAL 2 | 1 | |
| 29 | 6L5-44352-00-00 | .IMPELLER | 1 | |
| 30 | 93604-07M13-00 | PIN, DOWEL | 1 | |
| 31 | 97095-06040-00 | .BOLT | 4 | |
| 32 | 93604-18080-00 | .PIN, DOWEL | 2 | |
| 33 | 6L5-44328-00-00 | .PLATE | 2 | |
| 34 | 6L5-44360-01-00 | WATER TUBE ASSY | 1 | UR SHORT |
| 34 | 6L5-44360-11-00 | WATER TUBE ASSEMBLY | 1 | UR LONG |
| 35 | 646-44365-00-00 | DAMPER, WATER SEAL | 1 | |
| 36 | 6L5-45511-00-00 | SHAFT, DRIVE | 1 | UR SHORT |
| 36 | 6L5-45511-10-00 | SHAFT, DRIVE | 1 | UR LONG |
| 37 | 90467-07M12-00 | CLIP | 1 | |
| 38 | 6L5-45551-00-00 | PINION (13T) | 1 | |
| 39 | 93430-06005-00 | CIRCLIP | 1 | |
| 40 | 6L5-45533-00-21 | SHIM (T:2.1MM) | 1 | UR |
| 40 | 6L5-45533-00-20 | SHIM (T:2.0MM) | 1 | UR |
| 40 | 6L5-45533-00-22 | SHIM (T:2.2MM) | 1 | UR |
| 40 | 6L5-45533-00-23 | SHIM (T:2.3MM) | 1 | UR |
| 41 | 6L5-45560-00-00 | GEAR 1 (27T) | 1 | |
| 42 | 6L5-45611-00-00 | SHAFT, PROPELLER | 1 | |
| 43 | 90501-10064-00 | SPRING, COMPRESSION | 1 | |
| 44 | 6L5-45635-00-00 | PLUNGER, SHIFT | 1 | |
| 45 | 6L5-45631-00-00 | CLUTCH, DOG | 1 | |
| 46 | 6L5-45987-01-00 | SPACER | 1 | |
| 47 | 90201-13198-00 | WASHER, PLATE | 1 | |
| 48 | 6L5-45616-00-00 | NUT, PROPELLER | 1 | |
| 49 | 91490-25030-00 | PIN. COTTER | 1 | |
| 50 | 90201-08M54-00 | WASHER, PLATE | 1 | |
| 51 | 6L5-45947-00-EL | PROPELLER (3X7-1/4"X8-1/4"-BS) | 1 | UR |
| 51 | 6L5-45945-00-EL | PROPELLER (3X7-1/4"X7-1/4"-BS) | 1 | UR |

| | | | | |
|----|-----------------|----------------------------|---|------|
| 51 | 6L5-45943-00-EL | PROPELLER (3X7-1/4"X6"-BS) | 1 | UR |
| 52 | 6L5-45211-00-4D | EXTENSION | 1 | LONG |
| 53 | 6L5-45318-00-00 | BUSHING, DRIVE SHAFT | 1 | LONG |
| 54 | 93420-22M03-00 | CIRCLIP | 1 | LONG |
| 55 | 90101-06M18-00 | BOLT | 3 | LONG |
| 56 | 92990-06600-00 | .WASHER, PLATE | 3 | LONG |
| 57 | 93604-12M07-00 | PIN, DOWEL | 2 | LONG |

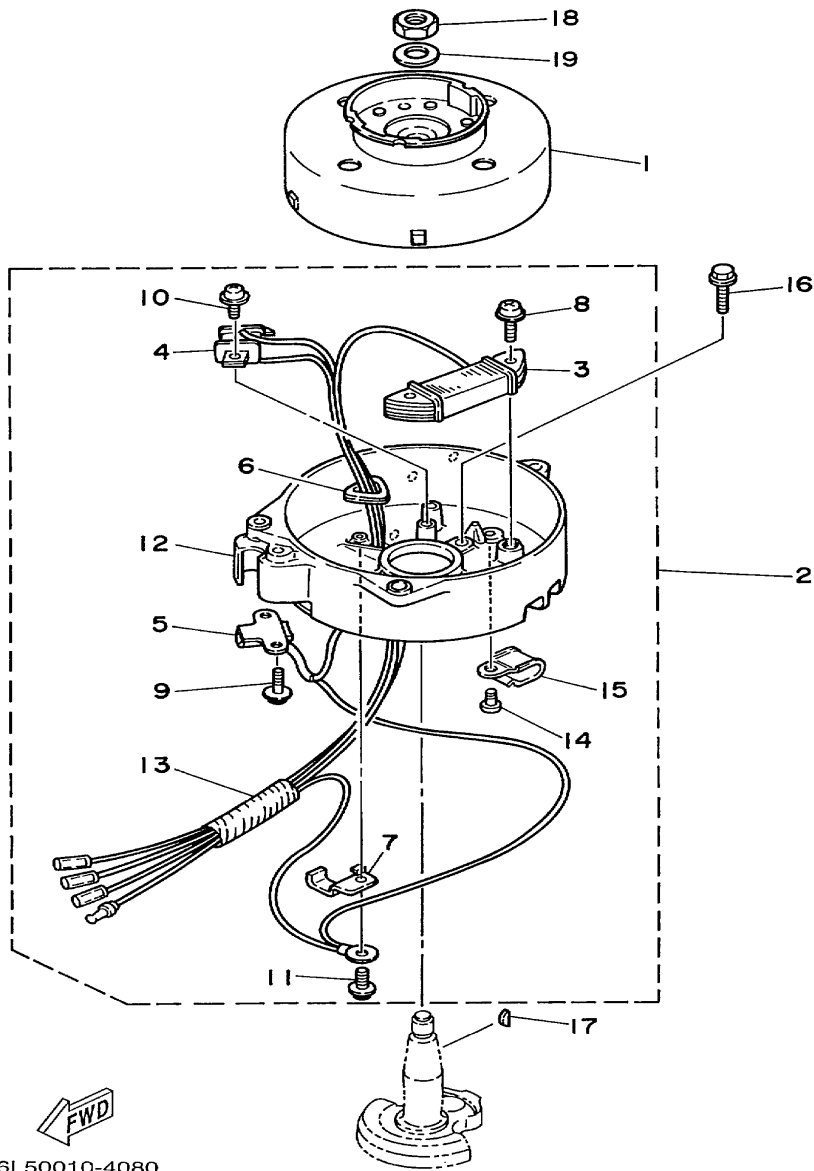
Part Notes

3MLHX 1999 / LOWER CASING DRIVE 1

| PART NUMBER | | NOTE TEXT |
|----------------|---|--|
| 90430-08020-00 |  | OEM: This part number is among the Top 100 Most Popular Marine Maintenance Parts as of March 2014. |
| 92990-06600-00 |  | OEM: This part number is among the Top 100 Most Popular Marine Maintenance Parts as of March 2014. |

©2014 Yamaha Motor Corporation, U.S.A. All rights reserved.

3MLHX 1999 / GENERATOR



6L50010-4080

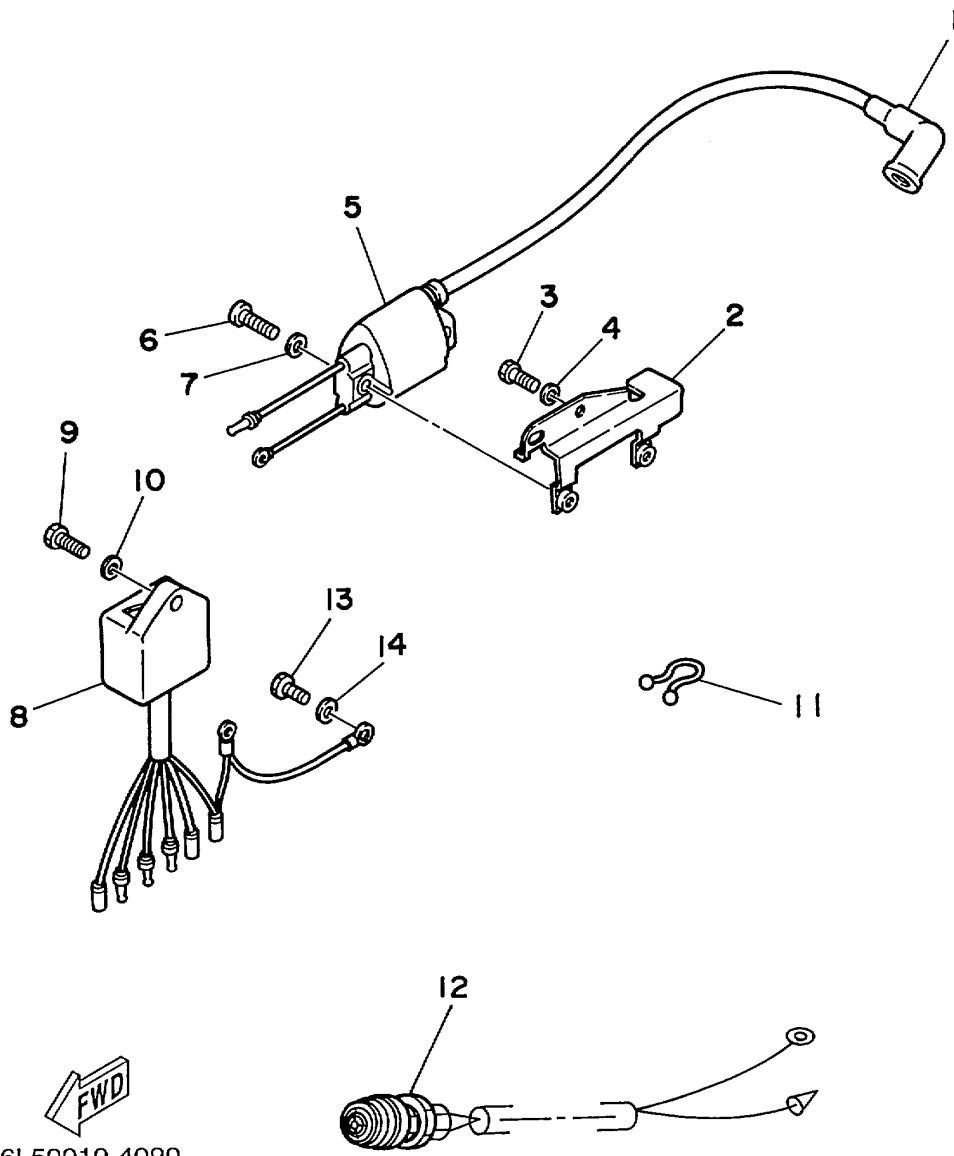
©2014 Yamaha Motor Corporation, U.S.A. All rights reserved.

Part List

3MLHX 1999 / GENERATOR

| REF - NO | PART NUMBER | PART NAME | QUANTITY | REMARKS |
|----------------|-----------------|---------------------|----------|---------|
| 1 | 6L5-85550-M0-00 | ROTOR ASSY | 1 | |
| 2 | 6L5-85560-M1-00 | BASE ASSY | 1 | |
| 3 | 6E0-85520-70-00 | .COIL, CHARGE | 1 | |
| 4 | 6L5-85595-M0-00 | .COIL, PULSER | 1 | |
| 5 | 6L5-85592-M0-00 | .PULSER COIL ASSY | 1 | |
| 6 | 6E0-81336-70-00 | .GROMMET | 1 | |
| 7 | 6E0-81328-70-00 | .CLAMP | 1 | |
| 8 | 90159-05038-00 | .SCREW, WITH WASHER | 2 | |
| 9 | 90159-05037-00 | .SCREW, WITH WASHER | 2 | |
| 10 | 90159-04036-00 | .SCREW, WITH WASHER | 2 | |
| 11 | 90159-04035-00 | .SCREW, WITH WASHER | 1 | |
| 12 | 6L5-15771-01-94 | .STAY 1 | 1 | |
| 13 | 90446-10M01-00 | .HOSE (L60) | 1 | |
| 14 | 97803-05008-00 | .SCREW, PAN HEAD | 1 | |
| 15 | 90465-10M34-00 | .CLAMP | 1 | |
| 16 | 95895-06016-00 | BOLT, FLANGE | 2 | |
| 17 | 90280-04M06-00 | KEY, WOODRUFF | 1 | |
| 18 | 90170-10113-00 | NUT | 1 | |
| 19 | 90201-10126-00 | WASHER, PLATE | 1 | |

3MLHX 1999 / ELECTRICAL



6L50010-4090

©2014 Yamaha Motor Corporation, U.S.A. All rights reserved.



Part List

3MLHX 1999 / ELECTRICAL

| REF - NO | PART NUMBER | PART NAME | QUANTITY | REMARKS |
|----------------|-----------------|-------------------------|----------|---------|
| 1 | 663-82370-01-00 | PLUG CAP ASSY | 1 | |
| 2 | 6L5-82316-00-00 | BRACKET, IGNITION COIL | 1 | |
| 3 | 97095-06016-00 | BOLT | 2 | |
| 4 | 92995-06600-00 | WASHER | 2 | |
| 5 | 6L5-85570-M0-00 | IGNITION COIL ASSY | 1 | |
| 6 | 97880-06016-00 | SCREW, PAN HEAD | 2 | |
| 7 | 92990-06600-00 | .WASHER, PLATE | 2 | |
| 8 | 6L5-85540-M0-00 | C.D.I. UNIT ASSY | 1 | |
| 9 | 97095-06016-00 | BOLT | 1 | |
| 10 | 92995-06600-00 | WASHER | 1 | |
| 11 | 90465-18147-00 | CLAMP | 1 | |
| 12 | 6L5-82550-00-00 | ENGINE STOP SWITCH ASSY | 1 | |
| 13 | 97090-06012-00 | BOLT | 1 | |
| 14 | 92990-06600-00 | .WASHER, PLATE | 1 | |

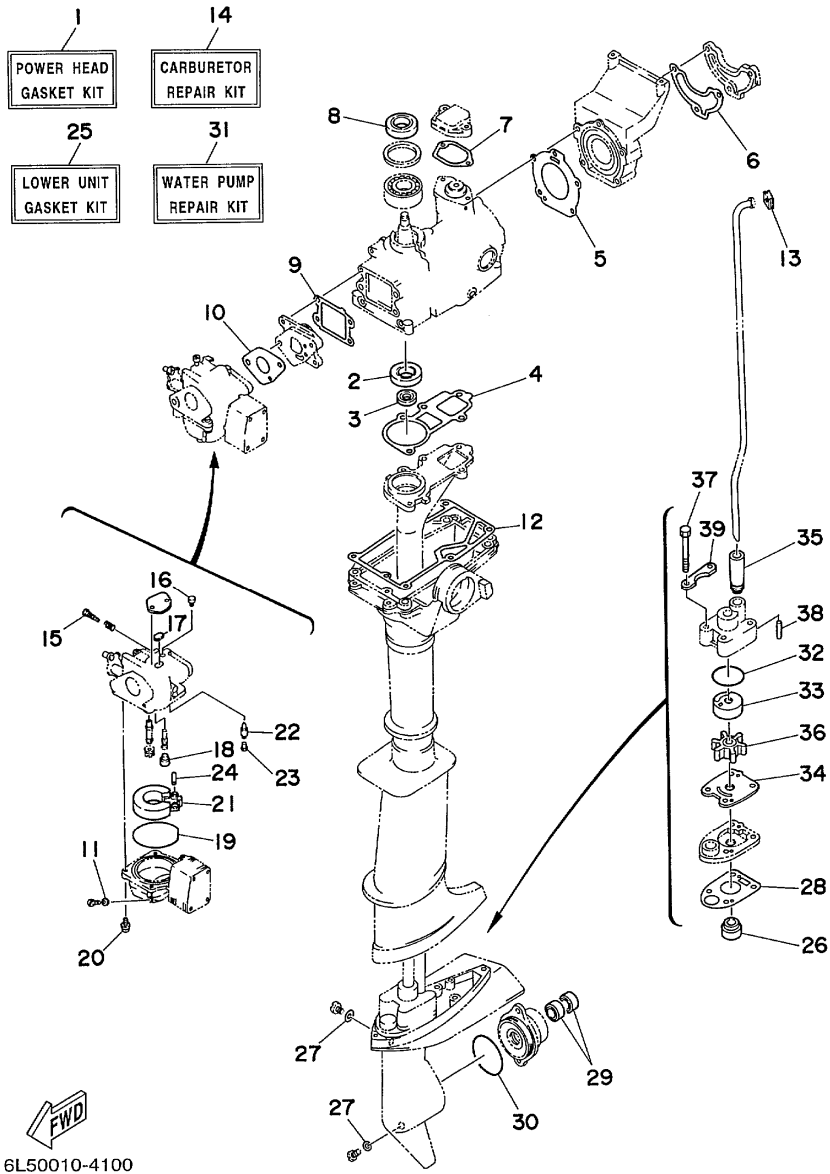
Part Notes

3MLHX 1999 / ELECTRICAL

| PART NUMBER | NOTE TEXT |
|--|--|
| 92990-06600-00  | OEM: This part number is among the Top 100 Most Popular Marine Maintenance Parts as of March 2014. |
| 92990-06600-00  | OEM: This part number is among the Top 100 Most Popular Marine Maintenance Parts as of March 2014. |

©2014 Yamaha Motor Corporation, U.S.A. All rights reserved.

3MLHX 1999 / REPAIR KIT 1



©2014 Yamaha Motor Corporation, U.S.A. All rights reserved.


Part List

3MLHX 1999 / REPAIR KIT 1

| REF - NO | PART NUMBER | PART NAME | QUANTITY | REMARKS |
|----------|-----------------|--------------------------|----------|---------|
| 1 | 6L5-W0001-A1-00 | POWER HEAD GASKET KIT | 1 | |
| 2 | 93101-20M29-00 | OIL SEAL | 1 | |
| 3 | 93101-09M42-00 | .OIL SEAL | 1 | |
| 4 | 6L5-15369-A0-00 | GASKET, OIL SEAL HOUSING | 1 | |
| 5 | 6L5-11181-A2-00 | GASKET, CYLINDER HEAD 1 | 1 | |
| 6 | 6L5-11193-A1-00 | GASKET, HEAD COVER 1 | 1 | |
| 7 | 6L5-12414-A1-00 | GASKET, COVER | 1 | |
| 8 | 93102-20M06-00 | OIL SEAL | 1 | |
| 9 | 6L5-13621-A2-00 | .GASKET, VALVE SEAT | 1 | |
| 10 | 6L5-14198-A1-00 | .GASKET | 1 | |
| 11 | 6G1-14398-00-00 | .WASHER | 1 | |
| 12 | 6L5-45113-A1-00 | GASKET, UPPER CASING | 1 | |
| 13 | 646-44365-00-00 | DAMPER, WATER SEAL | 1 | |
| 14 | 6G1-W0093-00-00 | CARBURETOR REPAIR KIT | 1 | |
| 15 | 679-14923-00-00 | .SCREW, PILOT | 1 | |
| 16 | 6G1-14966-00-00 | .CAP | 1 | |
| 17 | 6G1-14126-00-00 | .GASKET | 1 | |
| 18 | 676-14966-00-00 | .CAP | 1 | |
| 19 | 6G1-14984-00-00 | .O-RING | 1 | |
| 20 | 97980-04114-00 | .SCREW, WITH WASHER | 4 | |
| 21 | 6G1-14985-00-00 | .FLOAT | 1 | |
| 22 | 6G1-14546-00-00 | .VALVE, NEEDLE | 1 | |
| 23 | 676-14186-00-00 | .PIN, FLOAT | 1 | |
| 24 | 688-14548-00-00 | .PIN, FLOAT ARM | 1 | |
| 25 | 6L5-W0001-21-00 | LOWER UNIT GASKET KIT | 1 | |
| 26 | 93103-09M41-00 | .OIL SEAL | 1 | |
| 27 | 90430-08020-00 | .GASKET | 2 | |
| 28 | 6L5-45315-A0-00 | .PACKING, LOWER CASING | 1 | |
| 29 | 93101-13M12-00 | .OIL SEAL | 2 | |
| 30 | 93210-48214-00 | .O-RING | 1 | |
| 31 | 6L5-W0078-00-00 | WATER PUMP REPAIR KIT | 1 | |
| 32 | 93210-33M85-00 | .O-RING | 1 | |
| 33 | 6L5-44322-00-00 | .INSERT, CARTRIDGE | 1 | |
| 34 | 6L5-44323-00-00 | .OUTER PLATE, CARTRIDGE | 1 | |
| 35 | 6E0-44366-00-00 | .DAMPER, WATER SEAL 2 | 1 | |
| 36 | 6L5-44352-00-00 | .IMPELLER | 1 | |
| 37 | 97395-06040-00 | .BOLT | 4 | |
| 38 | 93604-18080-00 | .PIN, DOWEL | 2 | |
| 39 | 6L5-44328-00-00 | .PLATE | 2 | |

Part Notes

3MLHX 1999 / REPAIR KIT 1

| PART NUMBER | NOTE TEXT |
|--|--|
| 90430-08020-00  | OEM: This part number is among the Top 100 Most Popular Marine Maintenance Parts as of March 2014. |

©2014 Yamaha Motor Corporation, U.S.A. All rights reserved.

©2014 Yamaha Motor Corporation, U.S.A. All rights reserved.