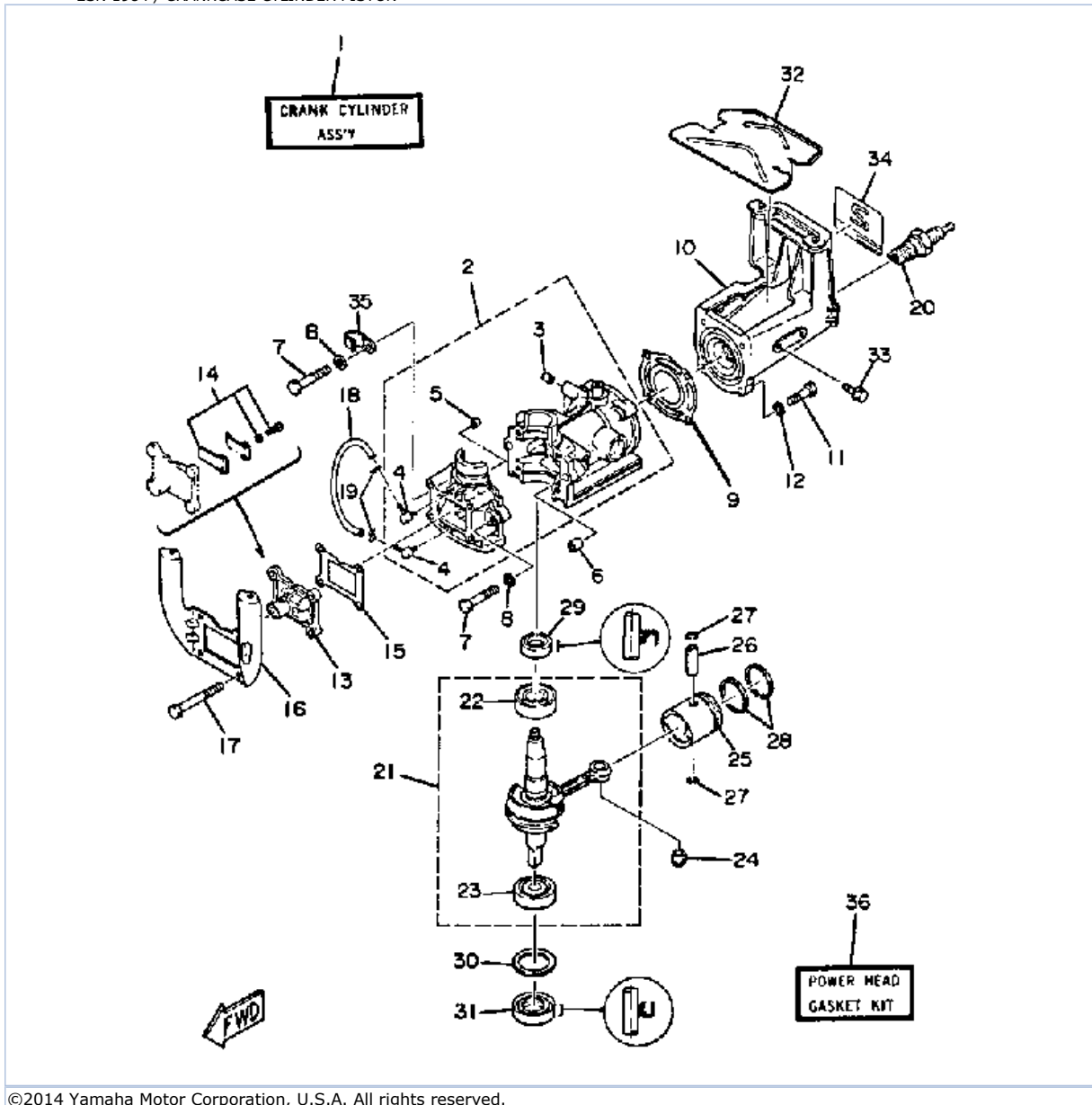


2SN 1984 / CRANKCASE CYLINDER PISTON



©2014 Yamaha Motor Corporation, U.S.A. All rights reserved.



Part List

2SN 1984 / CRANKCASE CYLINDER PISTON

REF - NO	PART NUMBER	PART NAME	QUANTITY	REMARKS
1	(6A1-W0090-10-00)	CRANK- CYLINDER.ASSEMBLY.	1	
2	6A1-15100-60-94	CRANKCASE ASSEMBLY	1	
3	90336-06001-00	.PLUG, TAPER	1	
4	650-14485-02-00	.PIPE, JOINT	2	
5	624-11379-00-00	.VALVE, CHECK	1	
6	99530-10014-00	PIN, DOWEL	2	
7	97313-06040-00	BOLT, HEXAGON	2	
8	92990-06600-00	WASHER, PLATE	2	
9	6A1-11181-A0-00	GASKET, CYLINDER HEAD 1	1	
10	6A1-11111-01-94	HEAD, CYLINDER 1	1	
11	97395-06025-00	BOLT	4	
12	92990-06600-00	WASHER, PLATE	4	
13	6A1-13610-00-00	REED VALVE ASSY	1	
14	6A1-W0004-00-00	.REED SET	1	
15	6A1-13621-00-00	GASKET, VALVE SEAT	1	
16	6A1-15771-00-00	STAY 1	1	
17	97313-06060-00	BOLT, HEXAGON	4	
18	90445-07M32-00	HOSE (L120)	1	
19	90467-06016-00	CLIP	2	
20	NGK-B5HS0-00-00	PLUG, SPARK (NGK B5HS)	1	
21	6A1-11400-00-00	CRANKSHAFT ASSY	1	
22	93306-00409-00	.BEARING	1	
23	93306-30204-00	.BEARING	1	
24	93310-210M0-00	BEARING	1	
25	646-11631-01-98	PISTON (STD)	1	
25	646-11636-01-00	PISTON (0.50MM O/S)	1	ALTERNATE PART
26	646-11633-00-00	PIN, PISTON	1	
27	93450-11021-00	CIRCLIP	2	
28	646-11601-01-00	PISTON RING SET (STD)	1	
28	646-11601-21-00	PISTON RING SET (0.50MM O/S)	1	ALTERNATE PART (NOT SHOWN)
29	93102-20108-00	OIL SEAL	1	
30	90201-35300-00	WASHER, PLATE	1	
31	93102-15M32-00	OIL SEAL	1	
32	6A1-24141-00-00	PROTECTOR, FUEL TANK	1	
33	90105-06M23-00	.BOLT FLANGE	2	
34	6A1-42678-10-00	GRAPHIC, REAR	1	
35	90465-08028-00	CLAMP	1	
36	6A1-W0001-00-00	POWER HEAD GASKET KIT	1	

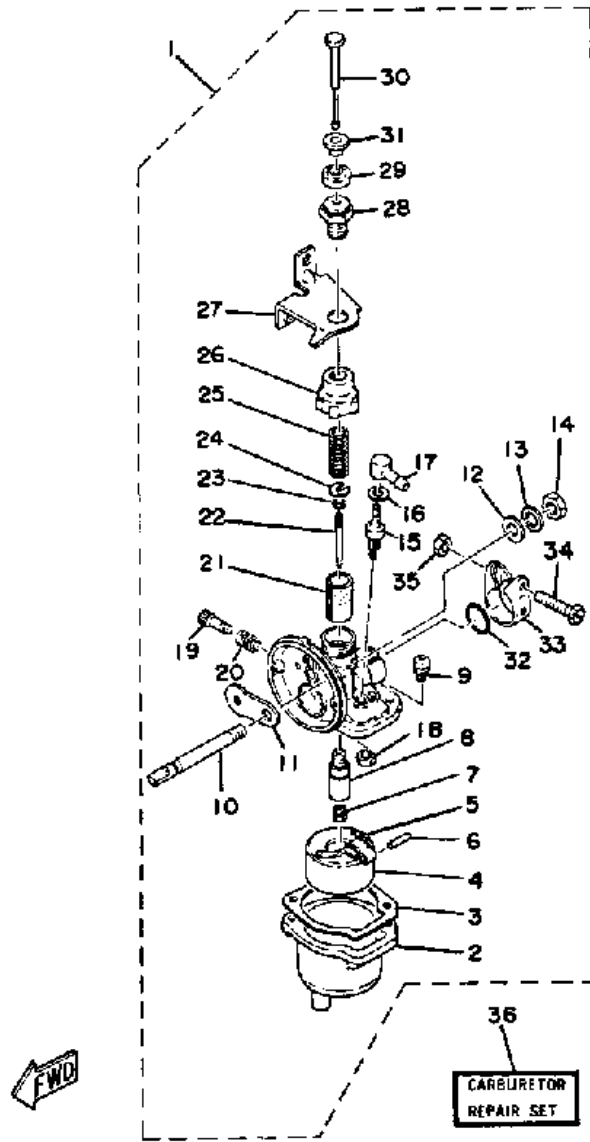
Part Notes

2SN 1984 / CRANKCASE CYLINDER PISTON

PART NUMBER	NOTE TEXT
92990-06600-00 	OEM: This part number is among the Top 100 Most Popular Marine Maintenance Parts as of March 2014.
92990-06600-00 	OEM: This part number is among the Top 100 Most Popular Marine Maintenance Parts as of March 2014.

©2014 Yamaha Motor Corporation, U.S.A. All rights reserved.

2SN 1984 / CARBURETOR



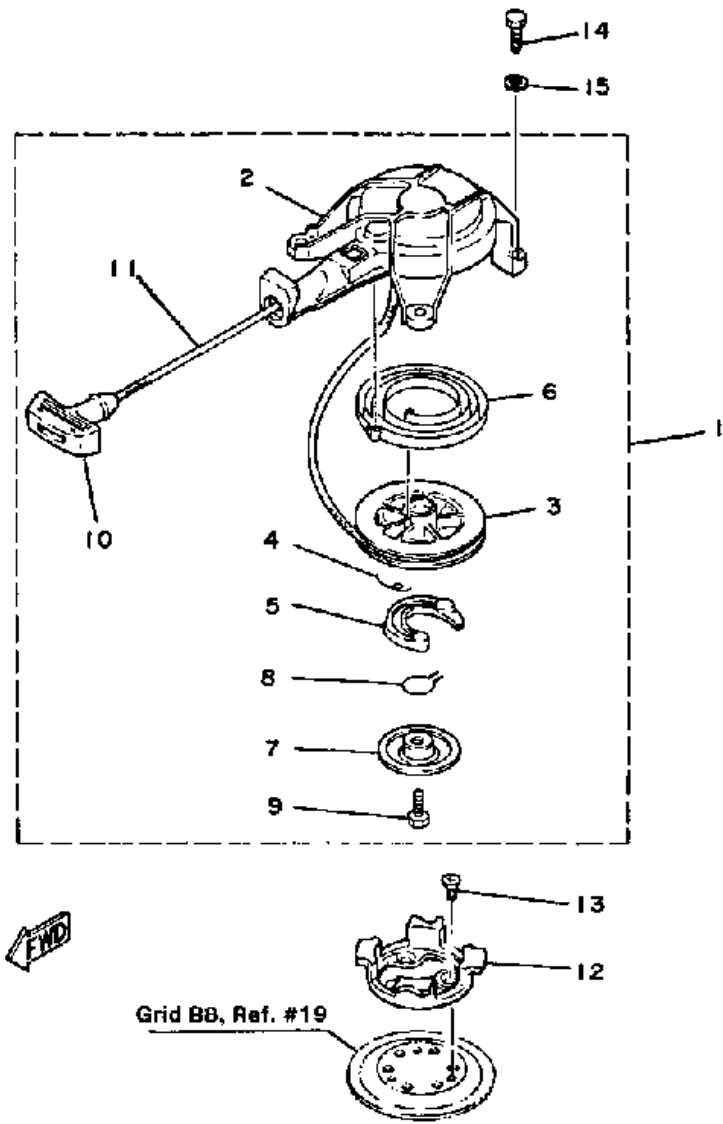
©2014 Yamaha Motor Corporation, U.S.A. All rights reserved.

Part List

2SN 1984 / CARBURETOR

REF - NO	PART NUMBER	PART NAME	QUANTITY	REMARKS
1	6A1-14301-02-00	CARB. ASSEMBLY. 1	1	
2	(646-14381-70-00)	BODY, FLOAT CHAMBER	1	
3	646-14384-00-00	.GASKET, FLOAT CHMBR	1	
4	646-14385-00-00	.FLOAT	1	
5	646-14387-00-00	.ARM, DIAPHRAGM	1	
6	652-14386-00-00	.PIN, FLOAT	1	
7	646-14343-48-00	.JET, MAIN #96 (#96)	1	
8	6A1-14341-00-00	.NOZZLE, MAIN	1	
9	98580-04010-00	.SCREW, PAN HEAD	2	
10	6A1-14448-00-00	.LEVER, CHOKE VALVE	1	
11	(6A1-14217-00-00)	VALVE, CHOKE	1	
12	646-14357-00-00	.WASHER, PLAIN	1	
13	6A1-14356-00-00	.WASHER, SPRING	1	
14	646-14358-00-00	.NUT	1	
15	6A1-14390-00-00	.NEEDLE VALVE ASSEMBLY	1	
16	6A1-14398-10-00	.GASKET	1	
17	6A1-14167-00-00	.CONNECTOR, BANJO	1	
18	6A1-14358-10-00	.NUT	1	
19	646-14211-02-00	.SCREW, PILOT ADJUSTING	1	
20	646-14212-01-00	.SPRING, PILOT ADJUSTING	1	
21	646-14312-08-00	.VALVE, THROTTLE 1	1	
22	6A1-14116-00-00	.NEEDLE	1	
23	646-14137-00-00	.CLIP	1	
24	646-14136-00-00	.SEAT, SPRING	1	
25	646-14331-01-00	.SPRING, THROTTLE VALVE	1	
26	646-14158-00-00	.TOP, MIXING CHAMBER	1	
27	6A1-14497-00-00	.STAY, THROTTLE WIRE	1	
28	646-14321-00-00	.SCREW, THROTTLE	1	
29	626-14373-10-00	.COVER, PLUNGER CAP	1	
30	6A1-14314-00-00	.BAR, THROTTLE	1	
31	6A1-14163-00-00	.SPACER	1	
32	646-14229-01-00	.O-RING	1	
33	6A1-14127-00-00	.CLIP	1	
34	646-14125-01-00	.SCREW	1	
35	6A1-14358-00-00	.NUT	1	
36	6A1-W0093-01-00	CARBURETOR REPAIR KIT	1	SEE NOTE

2SN 1984 / MANUAL STARTER



©2014 Yamaha Motor Corporation, U.S.A. All rights reserved.


Part List

2SN 1984 / MANUAL STARTER

REF - NO	PART NUMBER	PART NAME	QUANTITY	REMARKS
1	6A1-15710-00-00	STARTER ASSY	1	
2	6A1-15711-00-00	.CASE, STARTER	1	
3	6A1-15714-00-00	.DRUM, SHEAVE	1	
4	6A1-15767-00-00	.SPRING	1	
5	6A1-15741-00-00	.PAWL, DRIVE	1	
6	6A1-15713-00-00	.SPRING, STARTER	1	
7	6A1-15717-00-00	.SHAFT, STARTER	1	
8	6A1-15705-00-00	.SPRING, DRIVE PAWL	1	
9	97013-06012-00	.BOLT	1	
10	6A1-15755-01-00	.HANDLE, STARTER	1	
12	6A1-15723-00-94	PULLEY, STARTER	1	
13	92703-06012-00	SCREW, FLAT HEAD	3	
14	97313-06016-00	BOLT, HEXAGON	3	
15	92990-06600-00	WASHER, PLATE	3	

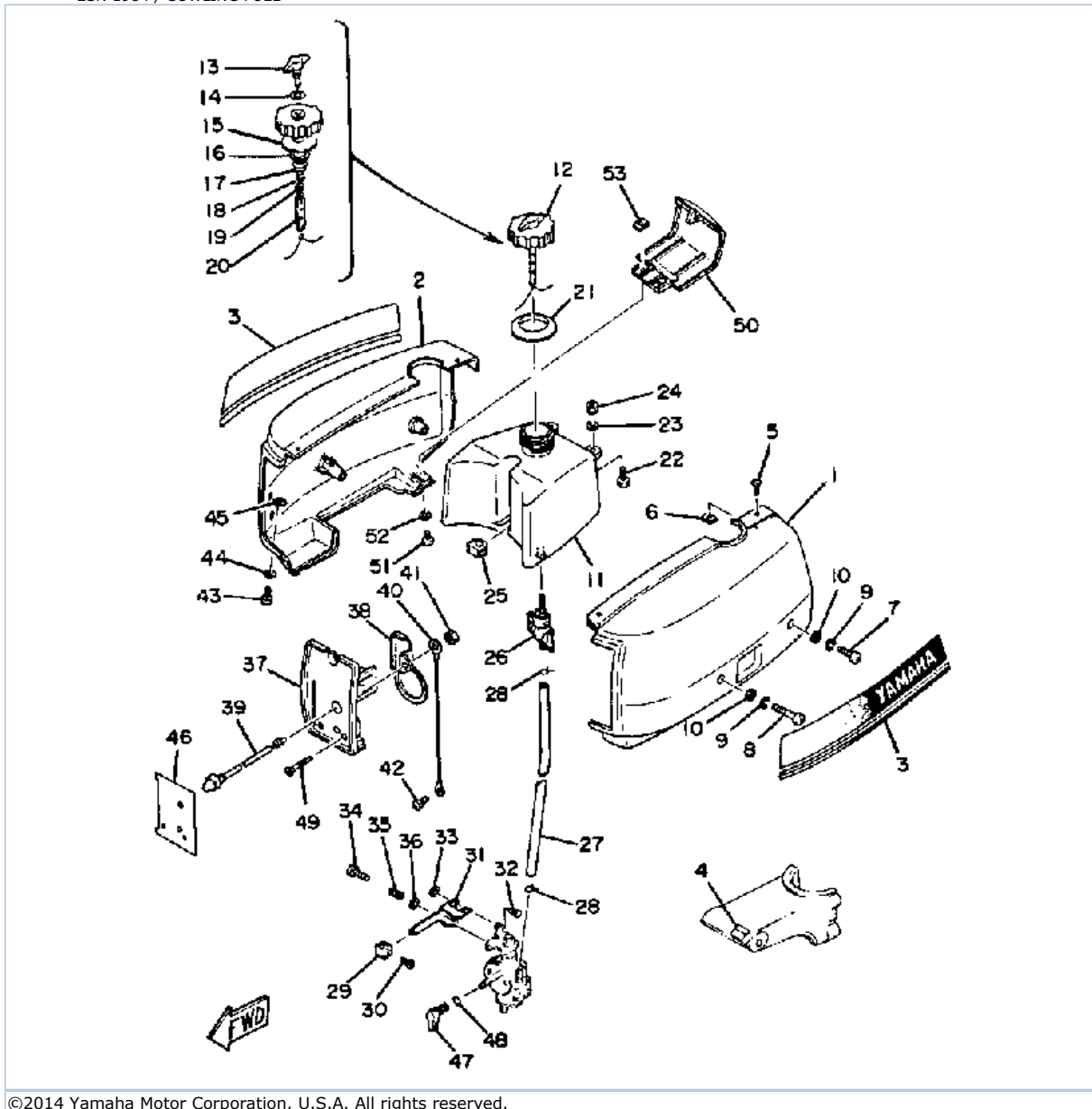
Part Notes

2SN 1984 / MANUAL STARTER

PART NUMBER	NOTE TEXT
92990-06600-00 	OEM: This part number is among the Top 100 Most Popular Marine Maintenance Parts as of March 2014.

©2014 Yamaha Motor Corporation, U.S.A. All rights reserved.

2SN 1984 / COWLING FUEL



©2014 Yamaha Motor Corporation, U.S.A. All rights reserved.


Part List

2SN 1984 / COWLING FUEL

REF - NO	PART NUMBER	PART NAME	QUANTITY	REMARKS
1	6A1-42741-10-00	APRON 1	1	
2	6A1-42771-10-00	APRON 2	1	
3	6A1-W0070-22-00	GRAPHIC SET	12	
4	(6A1-42792-00-00)	MARK 2	1	
5	98780-05012-00	SCREW, FLAT HEAD	2	
6	90183-05M00-00	NUT, SPRING	2	
7	97890-06025-00	SCREW, PAN HEAD	2	
8	97890-06040-00	SCREW, PAN HEAD	2	
9	92995-06100-00	WASHER, SPRING	4	
10	92990-06600-00	WASHER, PLATE	4	
11	6A1-24110-01-00	FUEL TANK COMP.	1	
12	6A1-24610-01-00	CAP ASSY	1	
13	620-24631-02-00	.SCREW, AIR	1	
14	90430-04005-00	.GASKET	1	
15	90430-14117-00	.GASKET	1	
16	646-24615-01-00	.GASKET, PLATE 1	1	
17	90501-10374-00	.SPRING, COMPRESSION	1	
18	92990-04200-00	.WASHER	1	
19	90501-10260-00	.SPRING, COMPRESSION	1	
20	646-24241-00-00	.INDICATOR 1	1	
21	6A1-24198-00-00	SEAT, RUBBER	1	
22	97313-06018-00	BOLT	2	
23	90201-06M30-00	WASHER, PLATE	2	
24	95380-06600-00	NUT, HEXAGON	2	
25	6A1-24181-00-00	DAMPER, LOCATING 1	1	
26	6A1-24500-02-00	FUEL COCK ASSY 1	1	
27	6A1-24311-00-00	PIPE, FUEL 1	1	
28	90467-08004-00	CLIP	2	
29	6A1-41637-00-00	KNOB, MAGNETO CONTROL	1	
30	97780-30710-00	SCREW, TAPPING	1	
31	(6A1-41212-00-00)	ARM, ACCEL.	1	
32	6A1-14365-00-00	PIN, CLEVIS	1	
33	99080-04600-00	CIRCLIP	1	
34	98503-05025-00	SCREW, PAN HEAD	1	
35	90501-12M16-00	SPRING, COMPRESSION	1	
36	92990-05200-00	.WASHER, PLAIN	1	
37	6A1-14441-02-00	SILENCER, INTAKE 2	1	
38	6A1-14442-00-00	SPACER	1	
39	6A1-82550-02-00	ENGINE STOP SWITCH ASSY	1	
40	6A1-82541-00-00	WIRE, LEAD	1	
41	95380-08700-00	NUT	1	
42	98580-05010-00	.SCREW, PAN HEAD	1	
43	98580-05010-00	.SCREW, PAN HEAD	2	
44	92990-05600-00	WASHER, PLATE	2	
45	90173-05M00-00	NUT, SQUARE	2	
46	6A1-42677-01-00	GRAPHIC, FRONT	1	
47	6A1-41271-00-00	KNOB, CHOKE	1	
48	93210-08M29-00	O-RING	1	
49	98680-04035-00	SCREW.OVAL HEAD	2	
50	6A1-82375-10-00	COVER, PLUG CAP	1	
51	98580-05012-00	.SCREW, PAN HEAD	2	
52	92990-05600-00	WASHER, PLATE	2	
53	90183-05M00-00	NUT, SPRING	2	

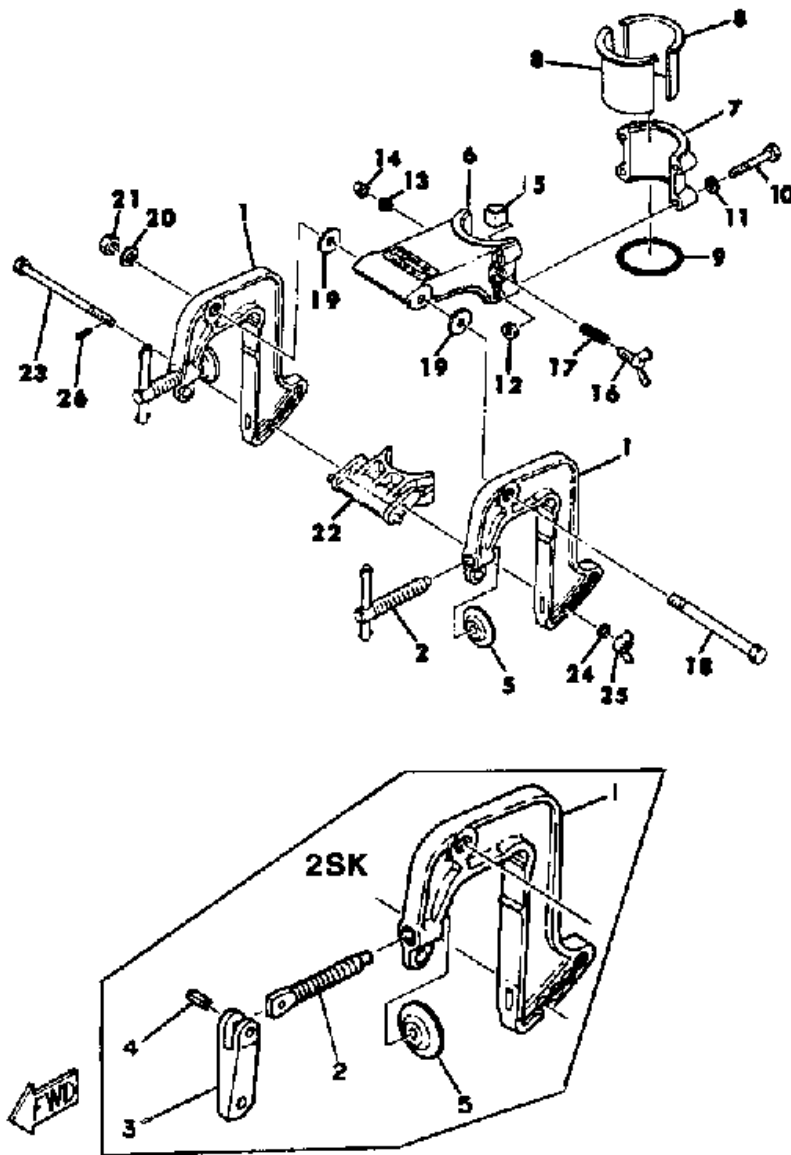
Part Notes

2SN 1984 / COWLING FUEL

PART NUMBER	NOTE TEXT
92990-06600-00 	OEM: This part number is among the Top 100 Most Popular Marine Maintenance Parts as of March 2014.

©2014 Yamaha Motor Corporation, U.S.A. All rights reserved.

2SN 1984 / BRACKET



©2014 Yamaha Motor Corporation, U.S.A. All rights reserved.


Part List

2SN 1984 / BRACKET

REF - NO	PART NUMBER	PART NAME	QUANTITY	REMARKS
1	(6A1-43111-00-EK)	BRACKET, CLAMP	2	
1	6A1-43111-03-EK	BRACKET, CLAMP	2	
2	(6A1-43105-00-00)	HANDLE TRANSOM CLM	2	
2	6E0-43116-01-00	SCREW, TRANSOM CLAMP	2	
3	6E0-43118-00-00	HANDLE, TRANSOM CLP	2	
4	90254-04M00-00	PIN, SPRING TYPE	2	
5	648-43114-01-00	PAD, TRANSOM CLAMP	2	
6	6A1-43311-01-EK	BRACKET, SWIVEL 1	1	
7	6A1-43312-00-EK	BRACKET, SWIVEL 2	1	
8	646-42537-01-00	BUSHING, PIVOT SHAFT	2	
9	93210-46044-00	O-RING	1	
10	97395-06045-00	BOLT, HEXAGON	4	
11	92990-06600-00	WASHER, PLATE	4	
12	95380-06600-00	NUT, HEXAGON	4	
13	93700-06M03-00	NIPPLE, GREASE	1	
14	663-45119-00-00	CAP, GREASE NIPPLE	1	
15	646-42528-00-00	PLATE, FRICTION	1	
16	90122-06004-00	BOLT, WING	1	
17	90501-12272-00	SPRING, COMPRESSION	1	
18	90101-08217-00	BOLT	1	
19	90202-08022-00	WASHER, PLATE	2	
20	92990-08100-00	WASHER, SPRING	1	
21	95380-08600-00	NUT	1	
22	6A1-43351-00-00	RECEIVER, THRUST	1	
23	6A1-43371-00-00	BOLT, RECEIVER	1	
24	90201-06040-00	WASHER, PLATE	1	
25	90175-06008-00	NUT, WING	1	
26	91690-20006-00	PIN, SPRING	1	

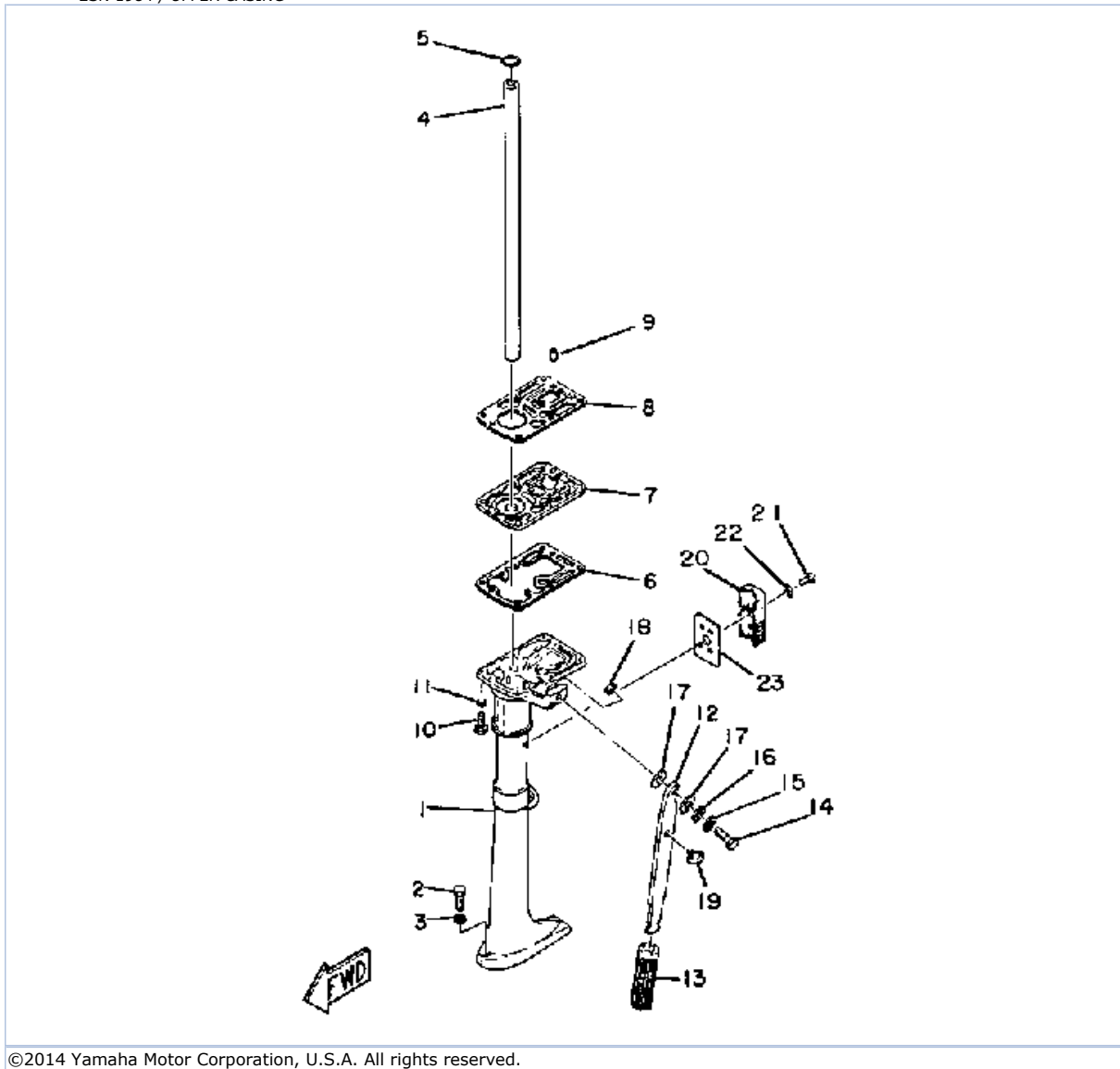
Part Notes

2SN 1984 / BRACKET

PART NUMBER	NOTE TEXT
92990-06600-00 	OEM: This part number is among the Top 100 Most Popular Marine Maintenance Parts as of March 2014.

©2014 Yamaha Motor Corporation, U.S.A. All rights reserved.

2SN 1984 / UPPER CASING



©2014 Yamaha Motor Corporation, U.S.A. All rights reserved.




Part List

2SN 1984 / UPPER CASING

REF - NO	PART NUMBER	PART NAME	QUANTITY	REMARKS
1	6A1-45111-02-EK	CASING, UPPER	1	
2	97395-06030-00	BOLT	1	
3	92990-06600-00	WASHER, PLATE	1	
4	646-45113-00-00	GASKET, UPPER CASIN	1	
5	93210-19123-00	O-RING	1	
6	646-14623-01-00	GASKET, EXST PIPE	1	
7	6A1-41137-00-5B	GUIDE, EXHAUST	1	
8	6A1-14613-A0-00	GASKET, EXHAUST PIPE	1	
9	93605-15065-00	PIN, DOWEL	2	
10	97395-06025-00	BOLT	6	
11	92990-06600-00	WASHER, PLATE	6	
12	646-42111-01-EK	HANDLE, STEERING	1	
13	646-42119-02-00	GRIP, STEERING HANDLE	1	
14	90101-08094-00	BOLT	1	
15	92990-08100-00	WASHER, SPRING	1	
16	92990-08200-00	WASHER, PLAIN	1	
17	90201-09117-00	WASHER, PLATE	2	
18	95380-08600-00	NUT	1	
19	646-42591-00-00	HOLDER, SHEAR PIN	1	
20	6A1-45151-00-00	COVER, UPPER CASING	1	
21	98580-06016-00	SCREW, PAN HEAD	1	
22	92990-06600-00	WASHER, PLATE	1	
23	6A1-45115-00-00	GASKET, UPPER CASING	1	

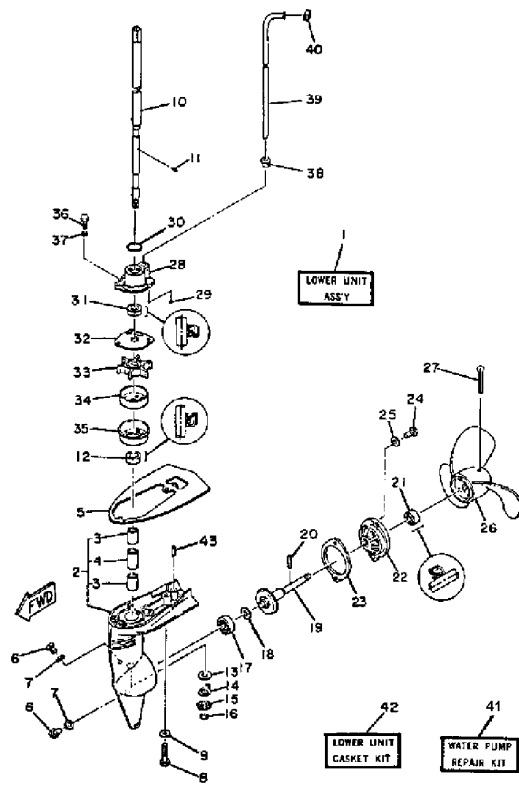
Part Notes

2SN 1984 / UPPER CASING

PART NUMBER		NOTE TEXT
92990-06600-00		OEM: This part number is among the Top 100 Most Popular Marine Maintenance Parts as of March 2014.
92990-06600-00		OEM: This part number is among the Top 100 Most Popular Marine Maintenance Parts as of March 2014.
92990-06600-00		OEM: This part number is among the Top 100 Most Popular Marine Maintenance Parts as of March 2014.

©2014 Yamaha Motor Corporation, U.S.A. All rights reserved.

2SN 1984 / LOWER DRIVE



©2014 Yamaha Motor Corporation, U.S.A. All rights reserved.




Part List

2SN 1984 / LOWER DRIVE

REF - NO	PART NUMBER	PART NAME	QUANTITY	REMARKS
1	6A1-45300-03-EK	LOWER UNIT ASSEMBLY	1	
2	99999-01868-00	LOWER CASING ASSEMBLY.	1	
3	6A1-45316-09-00	BUSHING, DR. SHAFT	2	
4	6A1-45316-09-00	BUSHING, DR. SHAFT	1	
5	6A1-45181-00-EK	PLATE	1	
6	90340-08M04-00	PLUG, STRAIGHT SCREW	2	
7	90430-08020-00	.GASKET	2	
8	97395-06030-00	BOLT	1	
9	92990-06600-00	WASHER, PLATE	1	
10	6A1-45510-01-00	DRIVE SHAFT ASSY	1	
11	93604-09066-00	PIN, DOWEL	1	
12	93103-11051-00	OIL SEAL	1	
13	646-45534-00-03	SHIM (T:0.30MM)	1	U.N.
13	646-45534-00-05	SHIM (T:0.50MM)	1	U.N.
14	90214-11M01-00	WASHER, CLAW	1	
15	646-45551-00-00	PINION	1	
16	99009-06600-00	CIRCLIP	1	
17	93306-00001-00	..BEARING	1	
18	646-45567-00-03	SHIM (T:0.30MM)	1	U.N.
18	646-45567-00-05	SHIM (T:0.50MM)	1	U.N.
19	646-45560-00-00	GEAR	1	
20	90250-03M10-00	PIN, STRAIGHT	1	
21	93103-10052-00	OIL SEAL	1	
22	646-45360-00-EK	LOWERCASING CAP AY	1	
23	646-45363-00-00	GKT, LOWERCASING CP	1	
24	97390-06014-00	BOLT	1	
25	92990-06600-00	WASHER, PLATE	2	
26	6A1-45943-00-00	PROPELLER (PLASTIC 4 X 7-1/4"-A)	1	
27	91490-30040-00	PIN, COTTER	1	
28	99999-02129-00	COVER	1	
29	93210-19123-00	O-RING	1	
30	93210-19123-00	O-RING	1	
31	93103-11051-00	OIL SEAL	1	
32	646-44323-00-00	OUTER PLATE, CARTRIDGE	1	
33	646-44352-01-00	IMPELLER	1	
34	646-44322-00-00	INSERT, CARTRIDGE	1	
35	6A1-44325-00-00	PROTECTOR, OIL SEAL	1	
36	97390-05016-00	BOLT, HEXAGON	2	
37	92990-05100-00	.WASHER, SPRING	2	
38	6E0-44366-00-00	DAMPER, WATER SEAL 2	1	
39	6A1-44361-00-00	TUBE, WATER	1	
40	646-44365-00-00	DAMPER, WATER SEAL	1	
41	6A1-W0078-01-00	WATER PUMP REPAIR KIT	1	SEE NOTE
42	6A1-W0001-21-00	LOWER UNIT GASKET KIT	1	SEE NOTE
43	93605-18M04-00	PIN, DOWEL	2	

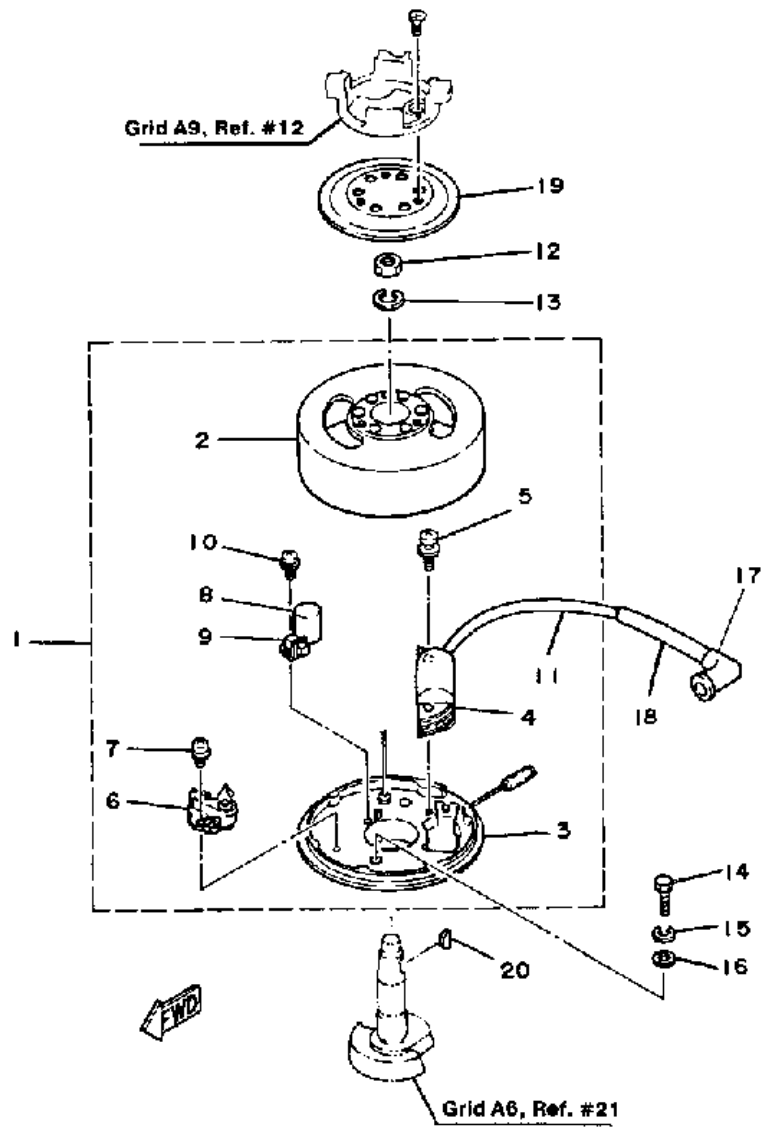
Part Notes

2SN 1984 / LOWER DRIVE

PART NUMBER	NOTE TEXT
90430-08020-00 	OEM: This part number is among the Top 100 Most Popular Marine Maintenance Parts as of March 2014.
92990-06600-00 	OEM: This part number is among the Top 100 Most Popular Marine Maintenance Parts as of March 2014.
92990-06600-00 	OEM: This part number is among the Top 100 Most Popular Marine Maintenance Parts as of March 2014.

©2014 Yamaha Motor Corporation, U.S.A. All rights reserved.

2SN 1984 / FLYWHEEL MAGNETO



©2014 Yamaha Motor Corporation, U.S.A. All rights reserved.


Part List

2SN 1984 / FLYWHEEL MAGNETO

REF - NO	PART NUMBER	PART NAME	QUANTITY	REMARKS
2	6A1-81350-20-00	.ROTOR ASSEMBLY	1	
3	6A1-81309-20-00	.BASE, MAGNETO	1	
4	6A1-81311-20-00	.COIL, IGNITION 1	1	
5	90159-05040-00	.SCREW, WITH WASHER	2	
6	806-81321-20-00	.CONTACT BRKR ASSEMBLY	1	
7	90159-04036-00	.SCREW, WITH WASHER	1	
8	624-81325-20-00	.CONDENSER 1	1	
9	116-81331-20-00	.LUBRICATOR	1	
10	110-81346-21-00	.SCREW, PAN HEAD	1	
11	650-82340-10-00	.HIGH TENSION CORD ASSEMBLY 1	1	
12	95303-10600-00	NUT	1	
13	92990-10100-00	WASHER, SPRING	1	
14	97313-06030-00	BOLT	2	
15	92995-06100-00	WASHER, SPRING	2	
16	92990-06600-00	WASHER, PLATE	2	
17	663-82370-01-00	PLUG CAP ASSY	1	
18	90446-10M05-00	HOSE	1	
19	6A1-81362-00-00	COVER, HOLE	1	
20	90280-04M06-00	KEY, WOODRUFF	2	

Part Notes

2SN 1984 / FLYWHEEL MAGNETO

PART NUMBER	NOTE TEXT
92990-06600-00 	OEM: This part number is among the Top 100 Most Popular Marine Maintenance Parts as of March 2014.

©2014 Yamaha Motor Corporation, U.S.A. All rights reserved.

2SN 1984 / REPAIR KIT

1

POWER HEAD
GASKET KIT

2

CARBURETOR
REPAIR KIT

3

LOWER UNIT
GASKET KIT

4

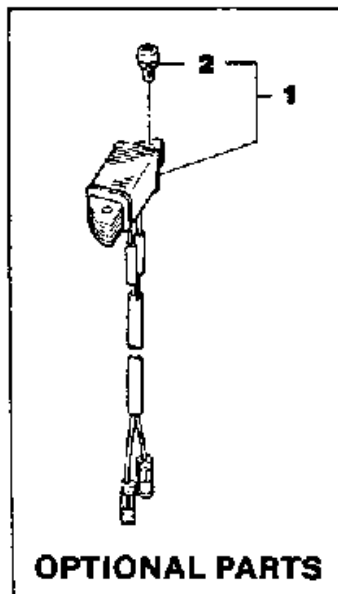
WATER PUMP
REPAIR KIT

Part List

2SN 1984 / REPAIR KIT

REF - NO	PART NUMBER	PART NAME	QUANTITY	REMARKS
1	6A1-W0001-00-00	POWER HEAD GASKET KIT	1	
2	6A1-W0093-01-00	CARBURETOR REPAIR KIT	1	
3	6A1-W0001-21-00	LOWER UNIT GASKET KIT	1	
4	6A1-W0078-01-00	WATER PUMP REPAIR KIT	1	

2SN 1984 / OPTIONAL LIGHTING COIL



©2014 Yamaha Motor Corporation, U.S.A. All rights reserved.

Part List

2SN 1984 / OPTIONAL LIGHTING COIL

REF - NO	PART NUMBER	PART NAME	QUANTITY	REMARKS
1	6E0-81303-80-00	LIGHTING COIL ASSY	1	
2	90159-05040-00	.SCREW, WITH WASHER	1	

©2014 Yamaha Motor Corporation, U.S.A. All rights reserved.