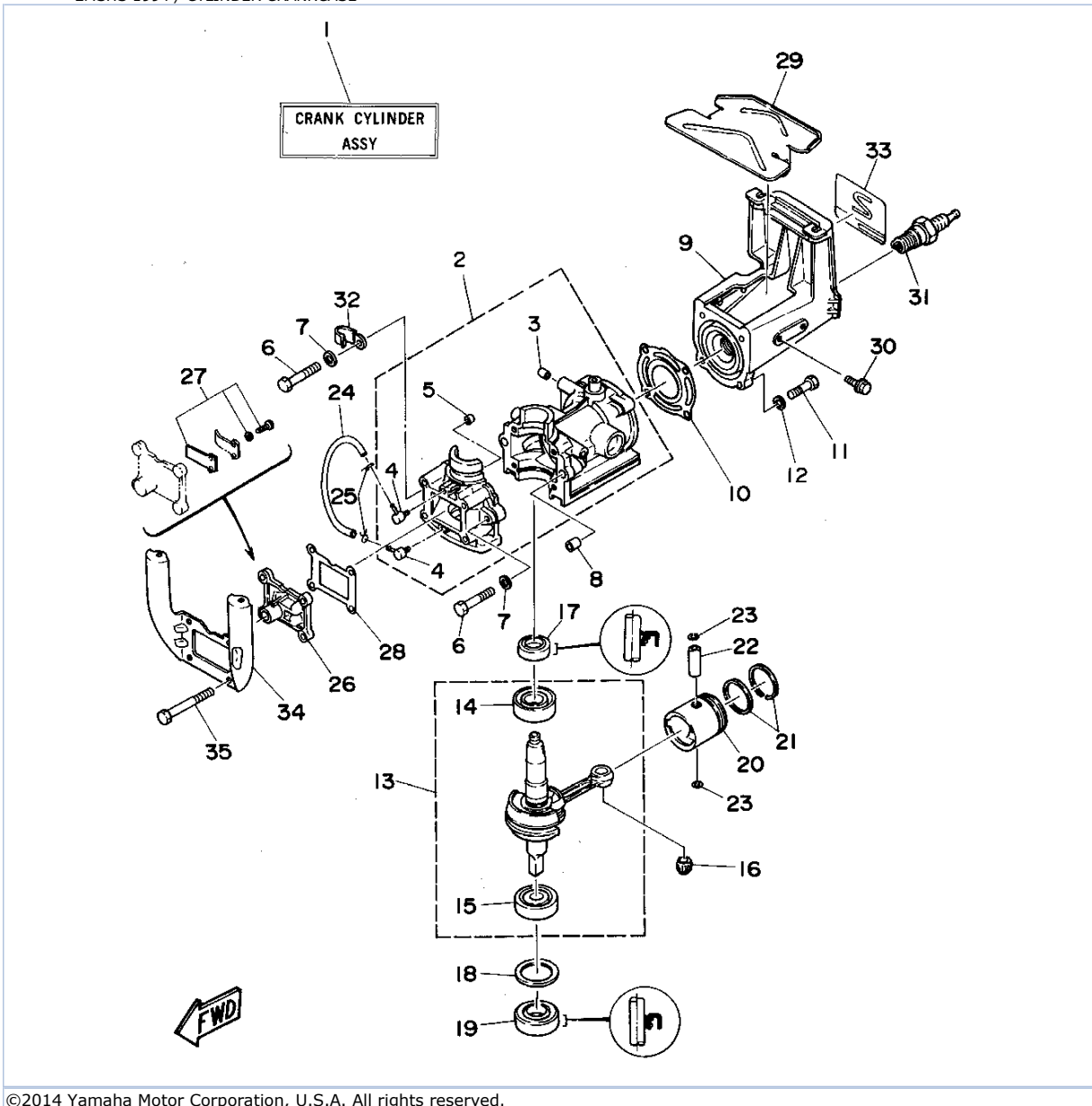


2MSHS 1994 / CYLINDER CRANKCASE



©2014 Yamaha Motor Corporation, U.S.A. All rights reserved.



Part List

2MSHS 1994 / CYLINDER CRANKCASE

| REF - NO | PART NUMBER | PART NAME | QUANTITY | REMARKS |
|----------|-----------------|--------------------------------------|----------|---------|
| 1 | 6A1-W0090-12-00 | CRANK CYLINDER ASSEMBLY (REF. #2~30) | 1 | |
| 2 | 6A1-15100-60-94 | CRANKCASE ASSEMBLY | 1 | |
| 3 | 90336-06001-00 | .PLUG, TAPER | 1 | |
| 4 | 650-14485-02-00 | .PIPE, JOINT | 2 | |
| 5 | 624-11379-00-00 | .VALVE, CHECK | 1 | |
| 6 | 97313-06040-00 | BOLT, HEXAGON | 2 | |
| 7 | 92990-06600-00 | WASHER, PLATE | 2 | |
| 8 | 99530-10014-00 | PIN, DOWEL | 2 | |
| 9 | 6A1-11111-01-94 | HEAD, CYLINDER 1 | 1 | |
| 10 | 6A1-11181-A0-00 | GASKET, CYLINDER HEAD 1 | 1 | |
| 11 | 97095-06025-00 | BOLT | 4 | |
| 12 | 92990-06600-00 | WASHER, PLATE | 4 | |
| 13 | 6A1-11400-00-00 | CRANKSHAFT ASSY | 1 | |
| 14 | 93306-00409-00 | .BEARING | 1 | |
| 15 | 93306-30204-00 | .BEARING | 1 | |
| 16 | 93310-210V1-00 | BEARING | 1 | |
| 17 | 93102-20108-00 | OIL SEAL | 1 | |
| 18 | 90201-35300-00 | WASHER, PLATE | 1 | |
| 19 | 93102-15M32-00 | OIL SEAL | 1 | |
| 20 | 646-11631-01-98 | PISTON (STD) | 1 | |
| 20 | 646-11636-01-00 | PISTON (0.50MM O/S) | 1 | |
| 21 | 646-11601-01-00 | PISTON RING SET (STD) | 1 | |
| 21 | 646-11601-21-00 | PISTON RING SET (0.50MM O/S) | 1 | |
| 22 | 646-11633-00-00 | PIN, PISTON | 1 | |
| 23 | 93450-11021-00 | CIRCLIP | 2 | |
| 24 | 90445-07M32-00 | HOSE (L120) | 1 | |
| 25 | 90467-06016-00 | CLIP | 2 | |
| 26 | 6A1-13610-00-00 | REED VALVE ASSY | 1 | |
| 27 | 6A1-W0004-00-00 | .REED SET | 1 | |
| 28 | 6A1-13621-A0-00 | GASKET, VALVE SEAT | 1 | |
| 29 | 6A1-24141-00-00 | PROTECTOR, FUEL TANK | 1 | |
| 30 | 95895-06010-00 | BOLT, FLANGE | 2 | |
| 31 | NGK-BR5HS-00-00 | PLUG, SPARK (NGK BR5HS) | 1 | UR |
| 31 | NGK-B5HS0-00-00 | PLUG, SPARK (NGK B5HS) | 1 | UR |
| 32 | 90465-08028-00 | CLAMP | 1 | |
| 33 | 6A1-42678-11-00 | GRAPHIC, REAR | 1 | |
| 34 | 6A1-15771-00-00 | STAY 1 | 1 | |
| 35 | 97313-06060-00 | BOLT, HEXAGON | 4 | |

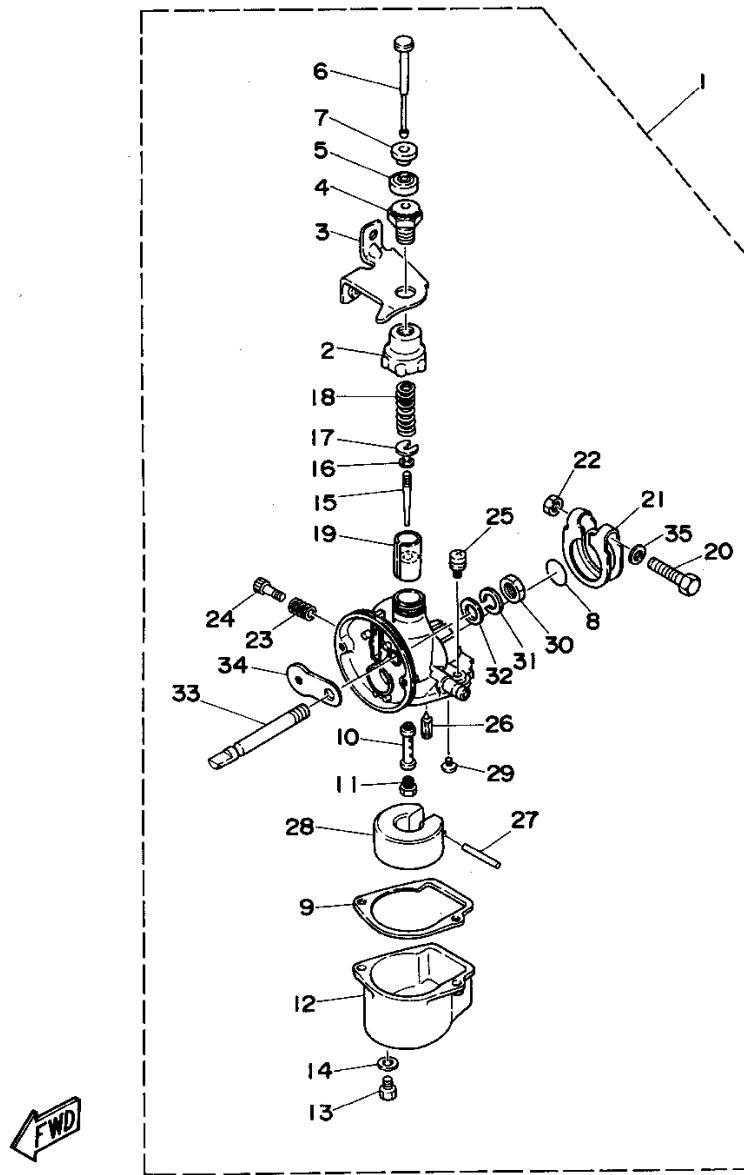
Part Notes

2MSHS 1994 / CYLINDER CRANKCASE

| PART NUMBER | NOTE TEXT |
|--|--|
| 92990-06600-00  | OEM: This part number is among the Top 100 Most Popular Marine Maintenance Parts as of March 2014. |
| 92990-06600-00  | OEM: This part number is among the Top 100 Most Popular Marine Maintenance Parts as of March 2014. |

©2014 Yamaha Motor Corporation, U.S.A. All rights reserved.

2MSHS 1994 / CARBURETOR



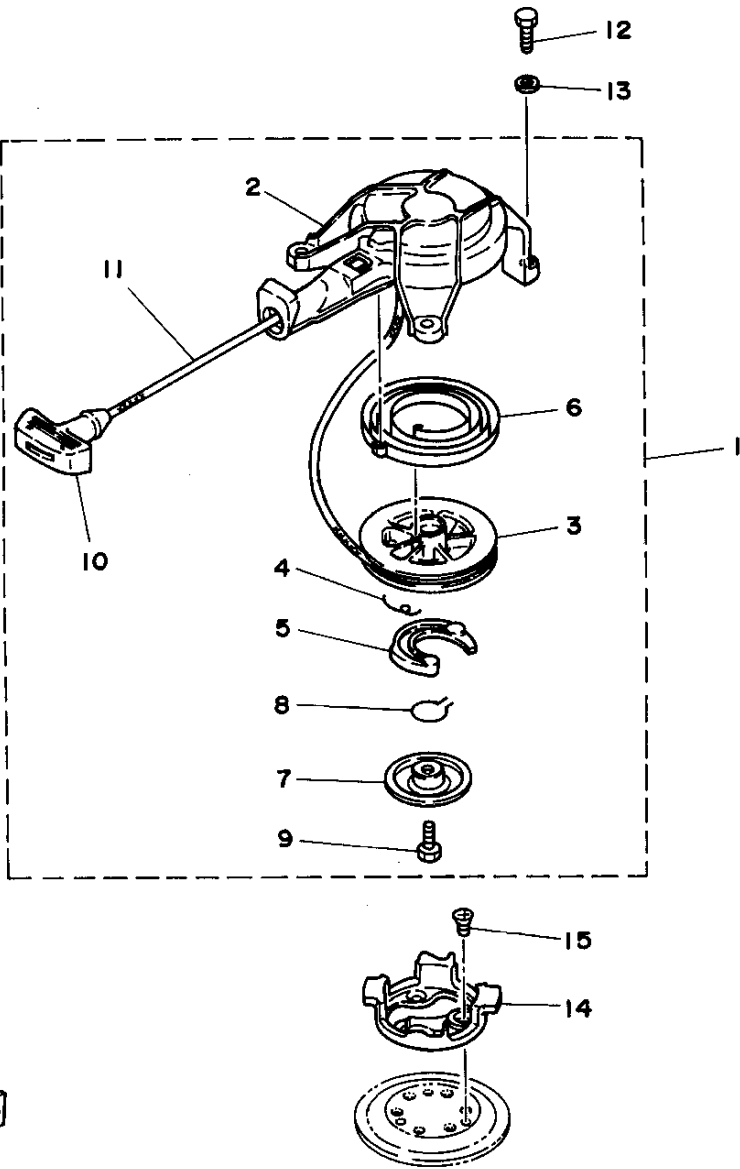
©2014 Yamaha Motor Corporation, U.S.A. All rights reserved.

Part List

2MSHS 1994 / CARBURETOR

| REF - NO | PART NUMBER | PART NAME | QUANTITY | REMARKS |
|----------------|-----------------|--------------------------|----------|---------|
| 1 | 6A1-14301-03-00 | CARBURETOR ASSY 1 | 1 | |
| 2 | 646-14158-00-00 | .TOP, MIXING CHAMBER | 1 | |
| 3 | 6A1-14497-00-00 | .STAY, THROTTLE WIRE | 1 | |
| 4 | 646-14321-00-00 | .SCREW, THROTTLE | 1 | |
| 5 | 626-14373-10-00 | .COVER, PLUNGER CAP | 1 | |
| 6 | 6A1-14314-00-00 | .BAR, THROTTLE | 1 | |
| 7 | 6A1-14163-00-00 | .SPACER | 1 | |
| 8 | 646-14229-01-00 | .O-RING | 1 | |
| 9 | 6A1-14384-00-00 | .GASKET, FLOAT CHAMBER | 1 | |
| 10 | 6A1-14341-01-00 | .NOZZLE, MAIN | 1 | |
| 11 | 6A1-14343-48-00 | .JET, MAIN (# 96) | 1 | |
| 12 | 6A1-14381-01-00 | .BODY, FLOAT CHAMBER | 1 | |
| 13 | 97890-05006-00 | .SCREW, PAN HEAD | 1 | |
| 14 | 646-14198-01-00 | .GASKET | 1 | |
| 15 | 6A1-14116-10-00 | .NEEDLE | 1 | |
| 16 | 646-14137-00-00 | .CLIP | 1 | |
| 17 | 646-14136-00-00 | .SEAT, SPRING | 1 | |
| 18 | 646-14331-01-00 | .SPRING, THROTTLE VALVE | 1 | |
| 19 | 646-14312-08-00 | .VALVE, THROTTLE 1 | 1 | |
| 20 | 646-14125-01-00 | .SCREW | 1 | |
| 21 | 6A1-14127-01-00 | .CLIP | 1 | |
| 22 | 6A1-14358-01-00 | .NUT | 1 | |
| 23 | 6A1-14212-00-00 | .SPRING, PILOT ADJUSTING | 1 | |
| 24 | 646-14211-02-00 | .SCREW, PILOT ADJUSTING | 1 | |
| 25 | 97980-04110-00 | .SCREW, WITH WASHER | 2 | |
| 26 | 6A1-14392-00-00 | .VALVE, NEEDLE | 1 | |
| 27 | 6A1-14386-00-00 | .PIN, FLOAT | 1 | |
| 28 | 6A1-14385-00-00 | .FLOAT | 1 | |
| 29 | 98580-03005-00 | .SCREW, PAN HEAD | 1 | |
| 30 | 646-14358-00-00 | .NUT | 1 | |
| 31 | 6A1-14356-00-00 | .WASHER, SPRING | 1 | |
| 32 | 646-14357-00-00 | .WASHER, PLAIN | 1 | |
| 33 | 6A1-14448-00-00 | .LEVER, CHOKE VALVE | 1 | |
| 34 | 6A1-14217-01-00 | .VALVE, CHOKE | 1 | |
| 35 | 92990-05600-00 | .WASHER, PLATE | 1 | |

2MSHS 1994 / STARTER



©2014 Yamaha Motor Corporation, U.S.A. All rights reserved.


Part List

2MSHS 1994 / STARTER

| REF - NO | PART NUMBER | PART NAME | QUANTITY | REMARKS |
|----------------|-----------------|---------------------|----------|---------|
| 1 | 6A1-15710-00-00 | STARTER ASSY | 1 | |
| 2 | 6A1-15711-00-00 | .CASE, STARTER | 1 | |
| 3 | 6A1-15714-00-00 | .DRUM, SHEAVE | 1 | |
| 4 | 6A1-15767-00-00 | .SPRING | 1 | |
| 5 | 6A1-15741-00-00 | .PAWL, DRIVE | 1 | |
| 6 | 6A1-15713-00-00 | .SPRING, STARTER | 1 | |
| 7 | 7G5-15716-00-00 | .PLATE, DRIVE | 1 | |
| 8 | 6A1-15705-00-00 | .SPRING, DRIVE PAWL | 1 | |
| 9 | 97013-06012-00 | .BOLT | 1 | |
| 10 | 6A1-15755-01-00 | .HANDLE, STARTER | 1 | |
| 11 | 90890-44372-00 | .STARTER ROPE | 1 | |
| 12 | 97395-06016-00 | BOLT, HEX | 3 | |
| 13 | 92990-06600-00 | WASHER, PLATE | 3 | |
| 14 | 6A1-15723-00-94 | PULLEY, STARTER | 1 | |
| 15 | 98703-06012-00 | SCREW, FLAT HEAD | 3 | |

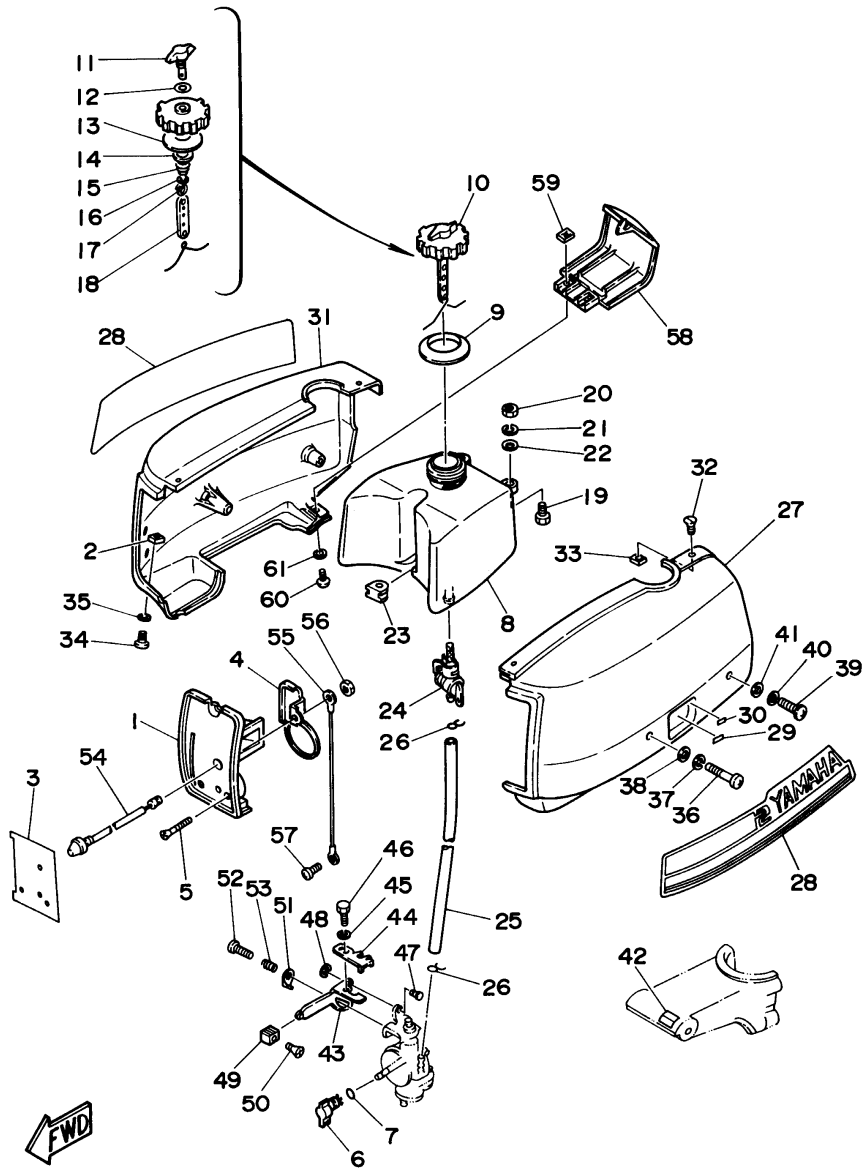
Part Notes

2MSHS 1994 / STARTER

| PART NUMBER | NOTE TEXT |
|--|--|
| 92990-06600-00  | OEM: This part number is among the Top 100 Most Popular Marine Maintenance Parts as of March 2014. |

©2014 Yamaha Motor Corporation, U.S.A. All rights reserved.

2MSHS 1994 / COWLING FUEL



©2014 Yamaha Motor Corporation, U.S.A. All rights reserved.

Part List



2MSHS 1994 / COWLING FUEL

| REF - NO | PART NUMBER | PART NAME | QUANTITY | REMARKS |
|----------|-----------------|-------------------------|----------|---------|
| 1 | 6A1-14441-02-00 | SILENCER, INTAKE 2 | 1 | |
| 2 | 90173-05M00-00 | NUT, SQUARE | 2 | |
| 3 | 6A1-42677-01-00 | GRAPHIC, FRONT | 1 | |
| 4 | 6A1-14442-00-00 | SPACER | 1 | |
| 5 | 98680-04535-00 | SCREW, OVAL HEAD | 2 | |
| 6 | 6A1-41271-00-00 | KNOB, CHOKE | 1 | |
| 7 | 93210-08M29-00 | O-RING | 1 | |
| 8 | 6A1-24110-01-00 | FUEL TANK COMP. | 1 | |
| 9 | 6A1-24198-00-00 | SEAT, RUBBER | 1 | |
| 10 | 6A1-24610-01-00 | CAP ASSY | 1 | |
| 11 | 6A1-24631-00-00 | .SCREW, AIR | 1 | |
| 12 | 90430-04005-00 | .GASKET | 1 | |
| 13 | 90430-14117-00 | .GASKET | 1 | |
| 14 | 646-24615-01-00 | .GASKET, PLATE 1 | 1 | |
| 15 | 90501-10374-00 | .SPRING, COMPRESSION | 1 | |
| 16 | 92990-04200-00 | .WASHER | 1 | |
| 17 | 90501-10260-00 | .SPRING, COMPRESSION | 1 | |
| 18 | 646-24241-00-00 | .INDICATOR 1 | 1 | |
| 19 | 97080-06018-00 | BOLT | 2 | |
| 20 | 95601-06200-00 | NUT, U-FLANGE | 2 | |
| 21 | 92995-06100-00 | WASHER, SPRING | 2 | |
| 22 | 90201-06M30-00 | WASHER, PLATE | 2 | |
| 23 | 6A1-24181-00-00 | DAMPER, LOCATING 1 | 1 | |
| 24 | 6A1-24500-02-00 | FUEL COCK ASSY 1 | 1 | |
| 25 | 6A1-24311-00-00 | PIPE, FUEL 1 | 1 | |
| 26 | 90467-08004-00 | CLIP | 2 | |
| 27 | 6A1-42741-11-00 | APRON | 1 | |
| 28 | 6A1-W0070-13-00 | GRAPHIC SET | 1 | |
| 29 | 6A1-24153-50-00 | INDICATOR, COCK | 1 | |
| 30 | 6A1-24154-50-00 | INDICATOR, SHIFT | 1 | |
| 31 | 6A1-42771-11-00 | APRON | 1 | |
| 32 | 98780-05012-00 | SCREW, FLAT HEAD | 2 | |
| 33 | 90183-05M00-00 | NUT, SPRING | 2 | |
| 34 | 98580-05010-00 | .SCREW, PAN HEAD | 2 | |
| 35 | 92990-05600-00 | WASHER, PLATE | 2 | |
| 36 | 98580-06040-00 | SCREW, PAN HEAD | 2 | |
| 37 | 92995-06100-00 | WASHER, SPRING | 2 | |
| 38 | 92990-06600-00 | WASHER, PLATE | 2 | |
| 39 | 98580-06025-00 | SCREW, PAN HEAD | 2 | |
| 40 | 92995-06100-00 | WASHER, SPRING | 2 | |
| 41 | 92990-06600-00 | WASHER, PLATE | 2 | |
| 42 | 6A1-42792-01-00 | MARK (100:1) | 1 | |
| 43 | 6A1-41212-01-00 | ARM, ACCEL. | 1 | |
| 44 | 6A1-41211-00-00 | LINK, ACCEL. | 1 | |
| 45 | 92990-05100-00 | .WASHER, SPRING | 1 | |
| 46 | 97395-05010-00 | BOLT | 1 | |
| 47 | 6A1-14365-00-00 | PIN, CLEVIS | 1 | |
| 48 | 99080-04600-00 | CIRCLIP | 1 | |
| 49 | 6A1-41637-00-00 | KNOB, MAGNETO CONTROL | 1 | |
| 50 | 98780-03010-00 | SCREW, FLAT HEAD | 1 | |
| 51 | 6A1-41223-00-00 | WASHER, LOCK 1 | 1 | |
| 52 | 97895-05025-00 | SCREW, PAN HEAD | 1 | |
| 53 | 90501-12M16-00 | SPRING, COMPRESSION | 1 | |
| 54 | 6A1-82550-02-00 | ENGINE STOP SWITCH ASSY | 1 | |
| 55 | 6A1-82541-00-00 | WIRE, LEAD | 1 | |
| 56 | 95380-08700-00 | NUT | 1 | |
| 57 | 98580-05008-00 | .SCREW, PAN HEAD | 1 | |
| 58 | 6A1-82375-11-00 | COVER, PLUG CAP | 1 | |
| 59 | 90183-05M00-00 | NUT, SPRING | 2 | |
| 60 | 98580-05010-00 | .SCREW, PAN HEAD | 2 | |

| | | | |
|----|----------------|---------------|---|
| 61 | 92990-05600-00 | WASHER, PLATE | 2 |
|----|----------------|---------------|---|

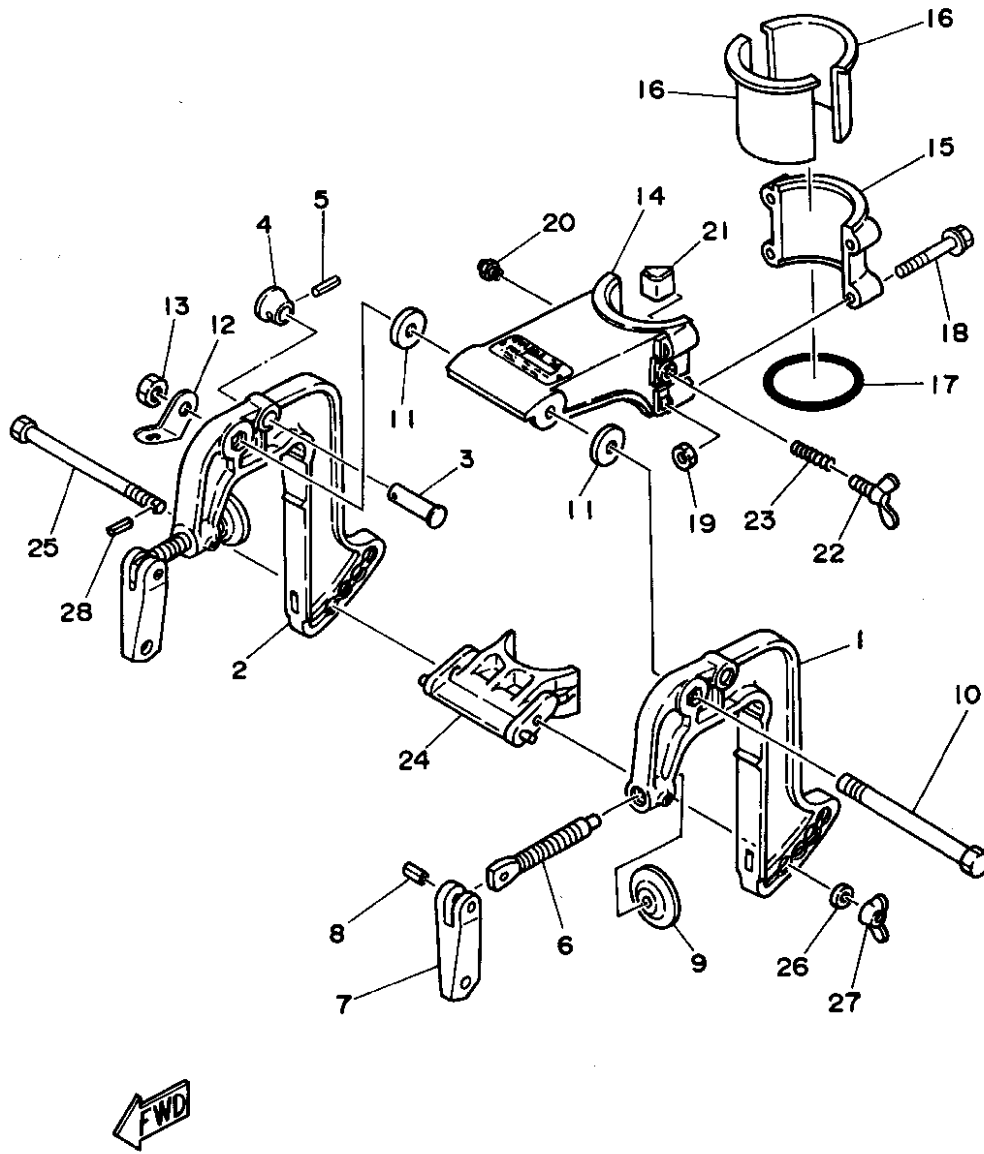
Part Notes

2MSHS 1994 / COWLING FUEL

| PART NUMBER | | NOTE TEXT |
|----------------|---|--|
| 92990-06600-00 |  | OEM: This part number is among the Top 100 Most Popular Marine Maintenance Parts as of March 2014. |
| 92990-06600-00 |  | OEM: This part number is among the Top 100 Most Popular Marine Maintenance Parts as of March 2014. |

©2014 Yamaha Motor Corporation, U.S.A. All rights reserved.

2MSHS 1994 / BRACKET 1



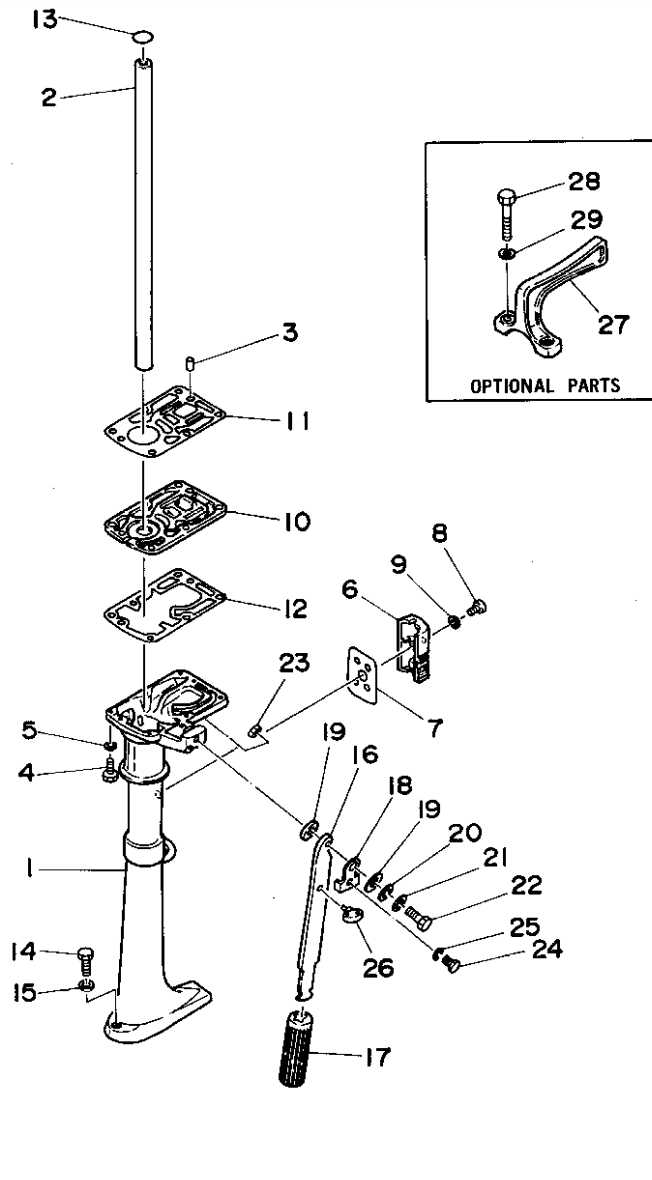
©2014 Yamaha Motor Corporation, U.S.A. All rights reserved.

Part List

2MSHS 1994 / BRACKET 1

| REF - NO | PART NUMBER | PART NAME | QUANTITY | REMARKS |
|----------------|-----------------|----------------------|----------|---------|
| 1 | 6A1-43111-03-4D | BRACKET, CLAMP | 1 | |
| 2 | 6A1-43112-00-4D | BRACKET, CLAMP | 1 | |
| 3 | 6A1-43191-00-00 | SHAFT, STOPPER | 1 | |
| 4 | 6A1-43192-00-00 | KNOB, STOPPER | 1 | |
| 5 | 91690-30014-00 | PIN, SPRING | 1 | |
| 6 | 6E0-43116-01-00 | SCREW, TRANSOM CLAMP | 2 | |
| 7 | 6E0-43118-00-00 | HANDLE, TRANSOM CLP | 2 | |
| 8 | 90254-04M00-00 | PIN, SPRING TYPE | 2 | |
| 9 | 648-43114-01-00 | PAD, TRANSOM CLAMP | 2 | |
| 10 | 90101-08217-00 | BOLT | 1 | |
| 11 | 90202-08022-00 | WASHER, PLATE | 2 | |
| 12 | 6A1-43113-01-00 | PLATE, CLAMP BRACKET | 1 | |
| 13 | 95380-08600-00 | NUT | 1 | |
| 14 | 6A1-43311-01-4D | BRACKET, SWIVEL | 1 | |
| 15 | 6A1-43312-00-4D | BRACKET, SWIVEL 2 | 1 | |
| 16 | 646-42537-01-00 | BUSHING, PIVOT SHAFT | 2 | |
| 17 | 93210-46044-00 | O-RING | 1 | |
| 18 | 90119-06M98-00 | BOLT, WITH WASHER | 4 | |
| 19 | 95601-06200-00 | NUT, U-FLANGE | 4 | |
| 20 | 93700-06M03-00 | NIPPLE, GREASE | 1 | |
| 21 | 646-42528-00-00 | PLATE, FRICTION | 1 | |
| 22 | 90122-06004-00 | BOLT, WING | 1 | |
| 23 | 90501-12272-00 | SPRING, COMPRESSION | 1 | |
| 24 | 6A1-43351-00-00 | RECEIVER, THRUST | 1 | |
| 25 | 6A1-43371-00-00 | BOLT, RECEIVER | 1 | |
| 26 | 90201-06040-00 | WASHER, PLATE | 1 | |
| 27 | 90175-06008-00 | NUT, WING | 1 | |
| 28 | 91690-20006-00 | PIN, SPRING | 1 | |

2MSHS 1994 / UPPER CASING



©2014 Yamaha Motor Corporation, U.S.A. All rights reserved.




Part List

2MSHS 1994 / UPPER CASING

| REF - NO | PART NUMBER | PART NAME | QUANTITY | REMARKS |
|----------|-----------------|-----------------------|----------|---------|
| 1 | 6A1-45111-02-4D | CASING, UPPER | 1 | |
| 2 | 6A1-45113-00-00 | GASKET, UPPER CASING | 1 | |
| 3 | 93605-15065-00 | PIN, DOWEL | 2 | |
| 4 | 97095-06025-00 | BOLT | 6 | |
| 5 | 92990-06600-00 | WASHER, PLATE | 6 | |
| 6 | 6A1-45151-00-00 | COVER, UPPER CASING | 1 | |
| 7 | 6A1-45115-00-00 | GASKET, UPPER CASING | 1 | |
| 8 | 98580-06016-00 | SCREW, PAN HEAD | 1 | |
| 9 | 92990-06600-00 | WASHER, PLATE | 1 | |
| 10 | 6A1-41137-00-5B | GUIDE, EXHAUST | 1 | |
| 11 | 6A1-14613-A0-00 | GASKET, EXHAUST PIPE | 1 | |
| 12 | 646-14623-A1-00 | GASKET, EXHAUST PIPE | 1 | |
| 13 | 93210-19123-00 | O-RING | 1 | |
| 14 | 97095-06030-00 | BOLT | 1 | |
| 15 | 92990-06600-00 | WASHER, PLATE | 1 | |
| 16 | 6A1-42111-00-4D | HANDLE, STEERING | 1 | |
| 17 | 646-42119-02-00 | GRIP, STEERING HANDLE | 1 | |
| 18 | 6A1-42181-00-00 | WASHER | 1 | |
| 19 | 90201-09117-00 | WASHER, PLATE | 2 | |
| 20 | 92990-08200-00 | WASHER, PLAIN | 1 | |
| 21 | 92990-08100-00 | WASHER, SPRING | 1 | |
| 22 | 90101-08M11-00 | BOLT | 1 | |
| 23 | 95380-08600-00 | NUT | 1 | |
| 24 | 97095-06010-00 | BOLT | 1 | |
| 25 | 92995-06100-00 | WASHER, SPRING | 1 | |
| 26 | 646-42591-00-00 | HOLDER, SHEAR PIN | 1 | |
| 27 | 646-42121-00-94 | BRACKET | 1 | |
| 28 | 97395-06055-00 | BOLT (97313-06055-00) | 2 | |
| 29 | 92995-06100-00 | WASHER, SPRING | 2 | |

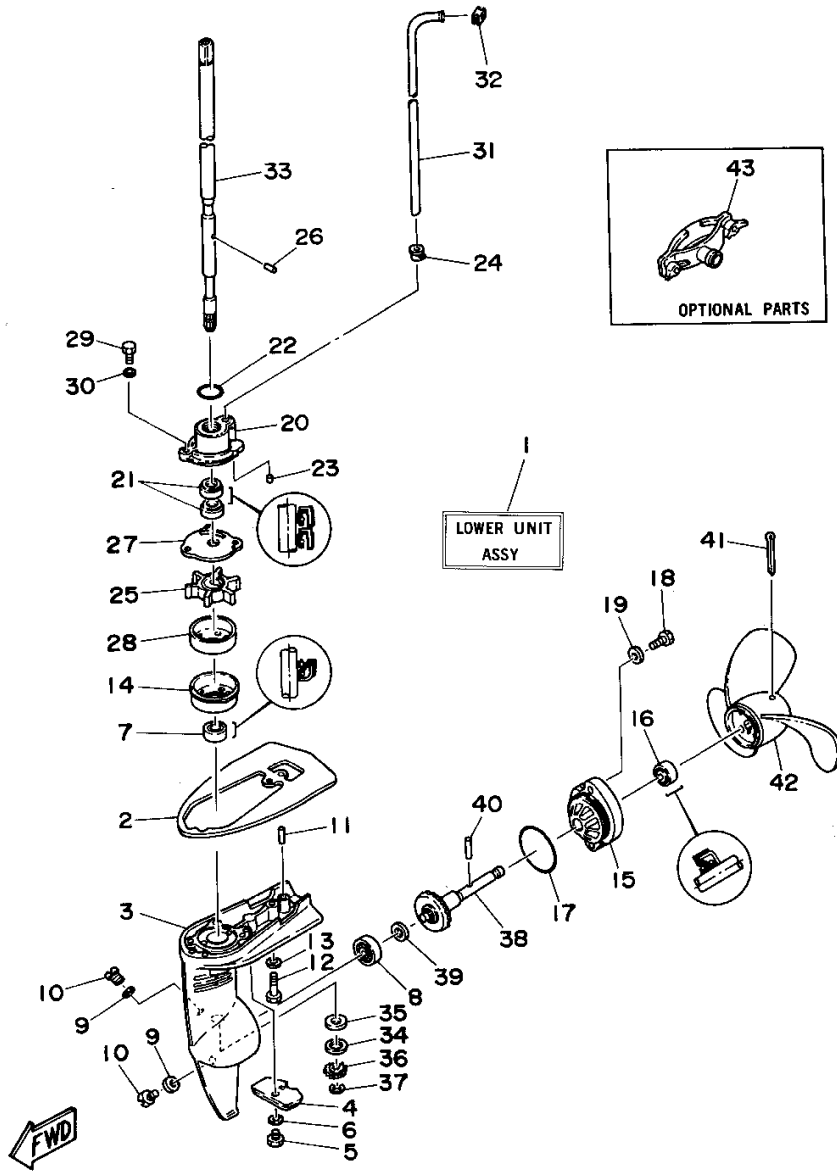
Part Notes

2MSHS 1994 / UPPER CASING

| PART NUMBER | NOTE TEXT |
|--|--|
| 92990-06600-00  | OEM: This part number is among the Top 100 Most Popular Marine Maintenance Parts as of March 2014. |
| 92990-06600-00  | OEM: This part number is among the Top 100 Most Popular Marine Maintenance Parts as of March 2014. |
| 92990-06600-00  | OEM: This part number is among the Top 100 Most Popular Marine Maintenance Parts as of March 2014. |

©2014 Yamaha Motor Corporation, U.S.A. All rights reserved.

2MSHS 1994 / LOWER CASING DRIVE 1



©2014 Yamaha Motor Corporation, U.S.A. All rights reserved.




Part List

2MSHS 1994 / LOWER CASING DRIVE 1

| REF - NO | PART NUMBER | PART NAME | QUANTITY | REMARKS |
|----------|-----------------|----------------------------------|----------|---------|
| 1 | 6A1-45300-03-4D | LOWER UNIT ASSY | 1 | |
| 2 | 6A1-45181-00-4D | PLATE | 1 | |
| 3 | 6A1-45311-02-4D | CASING, LOWER | 1 | |
| 4 | 6L5-45251-02-00 | ANODE | 1 | |
| 5 | 95895-06012-00 | BOLT, FLANGE | 1 | |
| 6 | 92990-06300-00 | WASHER, INTERNAL TOOTH | 1 | |
| 7 | 93103-11051-00 | OIL SEAL | 1 | |
| 8 | 93306-00001-00 | ..BEARING | 1 | |
| 9 | 90430-08020-00 | .GASKET | 2 | |
| 10 | 90340-08M04-00 | PLUG, STRAIGHT SCREW | 2 | |
| 11 | 93605-18M04-00 | PIN, DOWEL | 2 | |
| 12 | 97095-06030-00 | BOLT | 1 | |
| 13 | 92990-06600-00 | WASHER, PLATE | 1 | |
| 14 | 6A1-44325-00-00 | PROTECTOR, OIL SEAL | 1 | |
| 15 | 6A1-45361-01-4D | CAP, LOWER CASING | 1 | |
| 16 | 93103-10052-00 | OIL SEAL | 1 | |
| 17 | 93210-42101-00 | O-RING | 1 | |
| 18 | 97390-06014-00 | BOLT | 2 | |
| 19 | 92990-06600-00 | WASHER, PLATE | 2 | |
| 20 | 6A1-44312-01-94 | COVER, WATER PUMP HOUSING | 1 | |
| 21 | 93101-11M44-00 | OIL SEAL | 2 | |
| 22 | 93210-19123-00 | O-RING | 1 | |
| 23 | 93604-09068-00 | PIN, DOWEL | 2 | |
| 24 | 6E0-44366-00-00 | DAMPER, WATER SEAL 2 | 1 | |
| 25 | 646-44352-01-00 | IMPELLER | 1 | |
| 26 | 93604-09066-00 | PIN, DOWEL | 1 | |
| 27 | 646-44323-00-00 | OUTER PLATE, CARTRIDGE | 1 | |
| 28 | 646-44322-00-00 | INSERT, CARTRIDGE | 1 | |
| 29 | 97395-05016-00 | BOLT | 2 | |
| 30 | 92990-05600-00 | WASHER, PLATE | 2 | |
| 31 | 6A1-44361-00-00 | TUBE, WATER | 1 | |
| 32 | 646-44365-00-00 | DAMPER, WATER SEAL | 1 | |
| 33 | 6A1-45510-01-00 | DRIVE SHAFT ASSY | 1 | |
| 34 | 90201-11M49-00 | WASHER, PLATE | 1 | |
| 35 | 646-45534-00-04 | SHIM (T:0.40MM) | 1 | UR |
| 35 | 646-45534-00-03 | SHIM (T:0.30MM) | 1 | UR |
| 35 | 646-45534-00-05 | SHIM (T:0.50MM) | 1 | UR |
| 36 | 646-45551-00-00 | PINION | 1 | |
| 37 | 99009-06600-00 | CIRCLIP | 1 | |
| 38 | 646-45560-00-00 | GEAR | 1 | |
| 39 | 646-45567-00-04 | SHIM (T:0.40MM) | 1 | UR |
| 39 | 646-45567-00-05 | SHIM (T:0.50MM) | 1 | UR |
| 39 | 646-45567-00-03 | SHIM (T:0.30MM) | 1 | UR |
| 40 | 90250-03M10-00 | PIN, STRAIGHT | 1 | |
| 41 | 91490-30040-00 | PIN, COTTER | 1 | |
| 42 | 6A1-45943-00-00 | PROPELLER (PLASTIC 4 X 7-1/4"-A) | 1 | UR |
| 43 | 646-28193-00-00 | PLUG, WATER CHECK | 1 | AP |

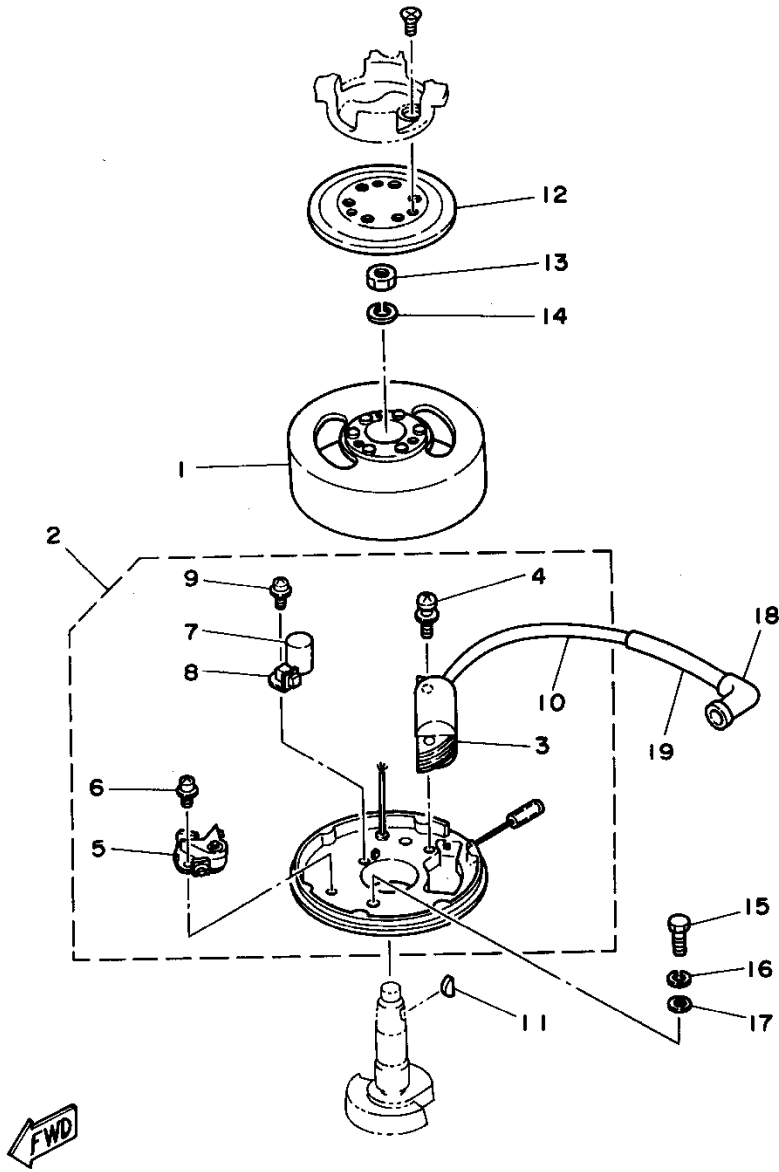
Part Notes

2MSHS 1994 / LOWER CASING DRIVE 1

| PART NUMBER | | NOTE TEXT |
|----------------|---|--|
| 90430-08020-00 |  | OEM: This part number is among the Top 100 Most Popular Marine Maintenance Parts as of March 2014. |
| 92990-06600-00 |  | OEM: This part number is among the Top 100 Most Popular Marine Maintenance Parts as of March 2014. |
| 92990-06600-00 |  | OEM: This part number is among the Top 100 Most Popular Marine Maintenance Parts as of March 2014. |

©2014 Yamaha Motor Corporation, U.S.A. All rights reserved.

2MSHS 1994 / GENERATOR



©2014 Yamaha Motor Corporation, U.S.A. All rights reserved.


Part List

2MSHS 1994 / GENERATOR

| REF - NO | PART NUMBER | PART NAME | QUANTITY | REMARKS |
|----------------|-----------------|----------------------------------|----------|---------|
| 1 | 6A1-81350-20-00 | ROTOR ASSEMBLY | 1 | |
| 2 | 6A1-81310-20-00 | BASE ASSEMBLY | 1 | |
| 3 | 6A1-81311-20-00 | .COIL, IGNITION 1 | 1 | |
| 4 | 90159-05040-00 | .SCREW, WITH WASHER | 2 | |
| 5 | 806-81321-20-00 | .CONTACT BRKR ASSEMBLY | 1 | |
| 6 | 90159-04036-00 | .SCREW, WITH WASHER | 1 | |
| 7 | 624-81325-20-00 | .CONDENSER 1 | 1 | |
| 8 | 116-81331-20-00 | .LUBRICATOR | 1 | |
| 9 | 110-81346-21-00 | .SCREW, PAN HEAD | 1 | |
| 10 | 650-82340-10-00 | .HIGH TENSION CORD ASSEMBLY 1 | 1 | |
| 11 | 90280-04M06-00 | KEY, WOODRUFF | 1 | |
| 12 | 6A1-81362-00-00 | COVER, HOLE | 1 | |
| 13 | 95303-10600-00 | NUT | 1 | |
| 14 | 92990-10100-00 | WASHER, SPRING | 1 | |
| 15 | 97095-06030-00 | BOLT | 2 | |
| 16 | 92995-06100-00 | WASHER, SPRING | 2 | |
| 17 | 92990-06600-00 | WASHER, PLATE | 2 | |
| 18 | 663-82370-01-00 | PLUG CAP ASSY | 1 | |
| 19 | 90446-10M05-00 | HOSE | 1 | |

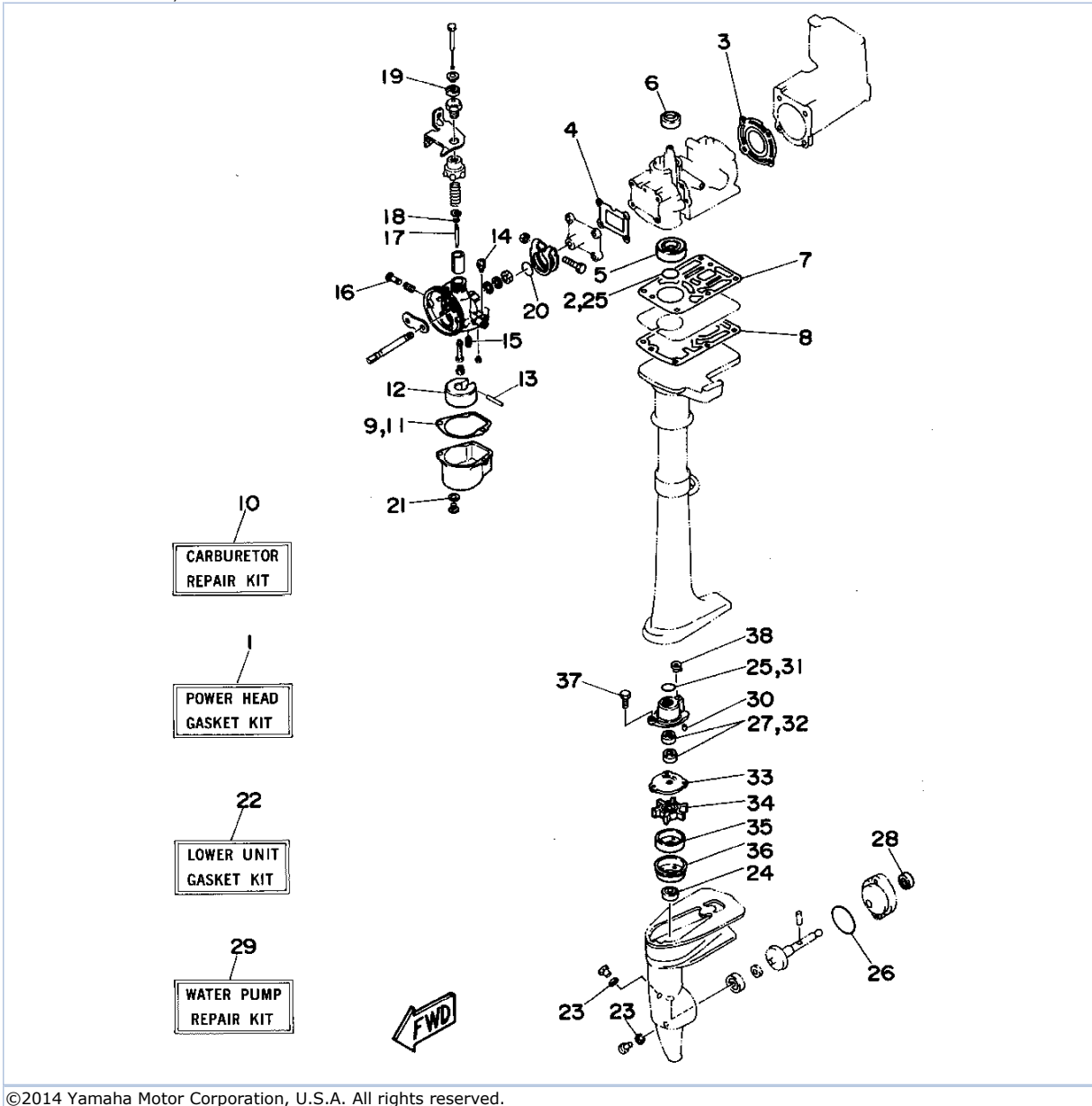
Part Notes

2MSHS 1994 / GENERATOR

| PART NUMBER | NOTE TEXT |
|--|--|
| 92990-06600-00  | OEM: This part number is among the Top 100 Most Popular Marine Maintenance Parts as of March 2014. |

©2014 Yamaha Motor Corporation, U.S.A. All rights reserved.

2MSHS 1994 / REPAIR KIT



©2014 Yamaha Motor Corporation, U.S.A. All rights reserved.


Part List

2MSHS 1994 / REPAIR KIT

| REF - NO | PART NUMBER | PART NAME | QUANTITY | REMARKS |
|----------|-----------------|--------------------------|----------|---------|
| 1 | 6A1-W0001-02-00 | POWER HEAD GASKET KIT | 1 | |
| 2 | 93210-08M29-00 | .O-RING | 1 | |
| 3 | 6A1-11181-A0-00 | .GASKET, CYLINDER HEAD 1 | 1 | |
| 4 | 6A1-13621-A0-00 | .GASKET, VALVE SEAT | 1 | |
| 5 | 93102-20108-00 | .OIL SEAL | 1 | |
| 6 | 93102-15M32-00 | .OIL SEAL | 1 | |
| 7 | 646-14623-A1-00 | .GASKET, EXHAUST PIPE | 1 | |
| 8 | 6A1-14613-A0-00 | .GASKET, EXHAUST PIPE | 1 | |
| 9 | 6A1-14384-00-00 | .GASKET, FLOAT CHAMBER | 1 | |
| 10 | 6A1-W0093-03-00 | CARBURETOR REPAIR KIT | 1 | |
| 11 | 6A1-14384-00-00 | .GASKET, FLOAT CHAMBER | 1 | |
| 12 | 6A1-14385-00-00 | .FLOAT | 1 | |
| 13 | 6A1-14386-00-00 | .PIN, FLOAT | 1 | |
| 14 | 97980-04110-00 | .SCREW, WITH WASHER | 2 | |
| 15 | 6A1-14392-00-00 | .VALVE, NEEDLE | 1 | |
| 16 | 646-14211-02-00 | .SCREW, PILOT ADJUSTING | 1 | |
| 17 | 6A1-14116-10-00 | .NEEDLE | 1 | |
| 18 | 646-14137-00-00 | .CLIP | 1 | |
| 19 | 626-14373-10-00 | .COVER, PLUNGER CAP | 1 | |
| 20 | 646-14229-01-00 | .O-RING | 1 | |
| 21 | 646-14198-01-00 | .GASKET | 1 | |
| 22 | 6A1-W0001-23-00 | LOWER UNIT GASKET KIT | 1 | |
| 23 | 90430-08020-00 | .GASKET | 2 | |
| 24 | 93103-11051-00 | .OIL SEAL | 1 | |
| 25 | 93210-19123-00 | .O-RING | 2 | |
| 26 | 93210-42101-00 | .O-RING | 1 | |
| 27 | 93101-11M44-00 | .OIL SEAL | 2 | |
| 28 | 93103-10052-00 | .OIL SEAL | 1 | |
| 29 | 6A1-W0078-02-00 | WATER PUMP REPAIR KIT | 1 | |
| 30 | 93604-09068-00 | .PIN, DOWEL | 2 | |
| 31 | 93210-19123-00 | .O-RING | 1 | |
| 32 | 93101-11M44-00 | .OIL SEAL | 2 | |
| 33 | 646-44323-00-00 | .OUTER PLATE, CARTRIDGE | 1 | |
| 34 | 646-44352-01-00 | .IMPELLER | 1 | |
| 35 | 646-44322-00-00 | .INSERT, CARTRIDGE | 1 | |
| 36 | 6A1-44325-00-00 | .PROTECTOR, OIL SEAL | 1 | |
| 37 | 97390-05016-00 | .BOLT, HEXAGON | 2 | |
| 38 | 6E0-44366-00-00 | .DAMPER, WATER SEAL 2 | 1 | |

Part Notes

2MSHS 1994 / REPAIR KIT

| PART NUMBER | NOTE TEXT |
|--|--|
| 90430-08020-00  | OEM: This part number is among the Top 100 Most Popular Marine Maintenance Parts as of March 2014. |

©2014 Yamaha Motor Corporation, U.S.A. All rights reserved.

©2014 Yamaha Motor Corporation, U.S.A. All rights reserved.