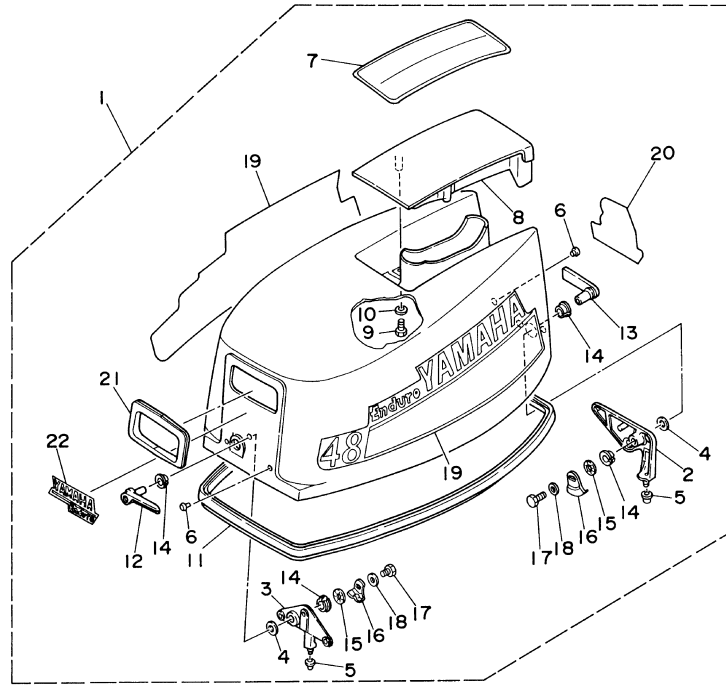


E48MLHY 2000 / TOP COWLING



6960100-4010

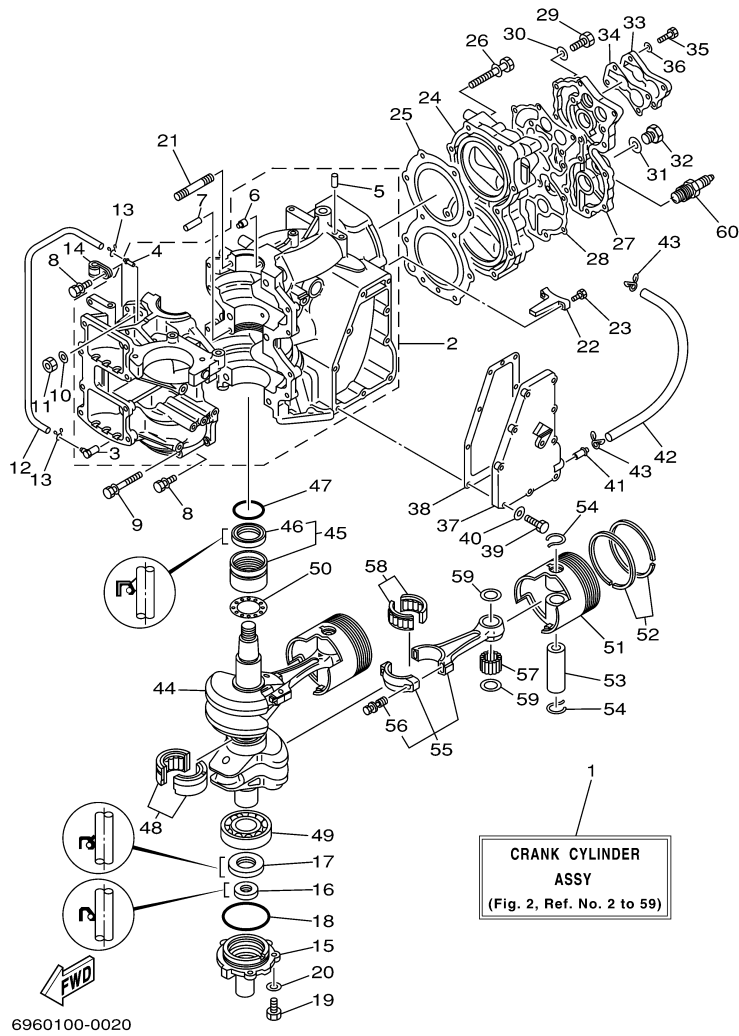
©2014 Yamaha Motor Corporation, U.S.A. All rights reserved.

Part List

E48MLHY 2000 / TOP COWLING

REF - NO	PART NUMBER	PART NAME	QUANTITY	REMARKS
1	696-42610-H1-4D	TOP COWLING ASSY	1	
2	697-42647-00-94	.HOLDER, CLAMP BAND	1	
3	697-42649-00-94	.HOLDER, CLAMP BAND	1	
4	90202-19M10-00	.WASHER, PLATE	2	
5	663-42662-00-00	.DAMPER	2	
6	90266-06009-00	.RIVET	6	
7	670-43691-00-00	.INDICATOR, TILT	1	
8	697-42613-11-4D	.MOLDING, AIR DUCT	1	
9	97095-06016-00	.BOLT	4	
10	92995-06600-00	.WASHER	4	
11	663-42615-02-00	.SEAL	1	
12	697-42815-11-98	.LEVER, CLAMP	1	
13	697-42817-01-98	.LEVER, CLAMP	1	
14	90386-13M38-00	.BUSH	4	
15	90206-13019-00	.WASHER, WAVE	2	
16	663-42816-02-00	.LEVER, CLAMP	2	
17	97095-06012-00	.BOLT	2	
18	90201-06068-00	.WASHER, PLATE	2	
19	696-W0070-H0-00	.GRAPHIC SET	1	
20	696-42678-H0-00	.GRAPHIC, REAR	1	
21	697-15761-01-00	.SEAL, RUBBER 1	1	
22	61N-42677-H0-00	.GRAPHIC, FRONT	1	ENDURO

E48MLHY 2000 / CYLINDER CRANKCASE



6960100-0020

Part List


E48MLHY 2000 / CYLINDER CRANKCASE

REF - NO	PART NUMBER	PART NAME	QUANTITY	REMARKS
1	696-W0090-65-4D	CRANK CYLINDER ASSY	1	
2	696-15100-01-94	CRANKCASE ASSY	1	
3	650-11370-00-00	.CHECK VALVE ASSY	1	
4	624-14485-00-00	.PIPE, JOINT	1	
5	93604-08062-00	.PIN, DOWEL	1	
6	663-11518-01-00	.LOCK BEARING	2	
7	93608-12063-00	PIN, DOWEL	1	
8	90119-06M12-00	BOLT, WITH WASHER	8	
9	90119-10M07-00	BOLT, WITH WASHER	4	
10	90201-10430-00	WASHER, PLATE	2	
11	95313-10600-00	NUT	2	
12	90445-07240-00	HOSE (L330)	1	
13	90467-06016-00	CLIP	2	
14	90461-04011-00	CLAMP	1	
15	663-15359-01-94	HOUSING, OIL SEAL	1	
16	93104-18049-00	OIL SEAL	1	
17	93102-28135-00	OIL SEAL	1	
18	93210-62269-00	O-RING	1	
19	97095-06016-00	BOLT	3	
20	92995-06600-00	WASHER	3	
21	90116-10177-00	BOLT, STUD	2	
22	663-11325-00-00	ANODE	1	
23	98780-04015-00	SCREW, FLAT HEAD	2	
24	663-11111-02-94	HEAD, CYLINDER 1	1	
25	697-11181-A1-00	GASKET, CYLINDER HEAD 1	1	
26	90119-08M65-00	BOLT, WITH WASHER	10	
27	663-11191-00-9M	COVER, CYLINDER HEAD 1	1	
28	663-11193-A0-00	GASKET, HEAD COVER 1	1	
29	97013-06020-00	BOLT	12	
30	92903-06600-00	WASHER, PLATE	12	
31	90430-14115-00	.GASKET	1	
32	90340-14036-00	PLUG, STRAIGHT SCREW	1	
33	663-12413-00-9M	COVER, THERMOSTAT	1	
34	663-12414-A0-00	GASKET, COVER	1	
35	97013-06030-00	BOLT	4	
36	92903-06600-00	WASHER, PLATE	4	
37	663-41113-00-9M	OUTER COVER, EXHAUST	1	
38	663-41114-A0-00	GASKET, EXHAUST OUTER COVER	1	
39	97013-06020-00	BOLT	9	
40	92903-06600-00	WASHER, PLATE	9	
41	650-24378-00-00	.PIPE, JOINT 4	1	
42	663-24312-01-00	PIPE 2	1	
43	90467-08004-00	CLIP	2	AP
44	663-11411-01-00	CRANKSHAFT	1	
45	93311-632U1-00	BEARING	1	
46	93102-32M07-00	.OIL SEAL	1	
47	93210-42159-00	.O-RING	1	
48	93311-832U4-00	BEARING	1	
49	93306-206U4-00	BEARING	1	
50	663-11561-00-00	SHIM, CRANK 1	1	
51	688-11635-03-00	PISTON (0.25MM O/S)	2	AP
51	688-11636-03-00	PISTON (0.50MM O/S)	2	AP
51	688-11631-03-94	PISTON (STD)	2	

52	688-11605-A0-00	PISTON RING SET (0.50MM O/S)	2	AP
52	688-11604-A0-00	PISTON RING SET (0.25MM O/S)	2	AP
52	688-11603-A0-00	PISTON RING SET (STD)	2	
53	663-11633-00-00	PIN, PISTON	2	
54	688-11634-00-00	CLIP, PISTON PIN	4	
55	688-11650-03-00	CONNECTING ROD ASSY	2	
56	90109-08M61-00	.BOLT	2	
57	93603-21111-00	PIN, DOWEL	56	
58	93310-730V8-00	BEARING	2	
59	90201-20417-00	WASHER, PLATE	4	
60	NGK-B7HS0-00-00	NGK SPARK PLUG B7HS	2	

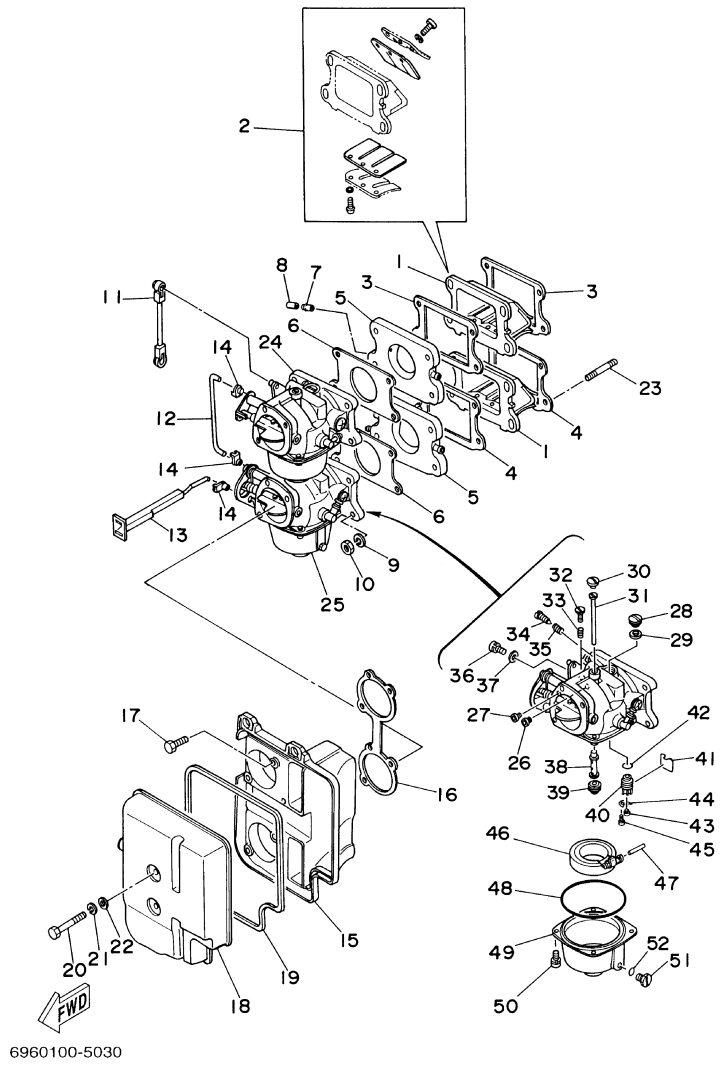
Part Notes

E48MLHY 2000 / CYLINDER CRANKCASE

PART NUMBER	NOTE TEXT
93603-21111-00 	OEM: This part number is among the Top 100 Most Popular Marine Maintenance Parts as of March 2014.

©2014 Yamaha Motor Corporation, U.S.A. All rights reserved.

E48MLHY 2000 / INTAKE



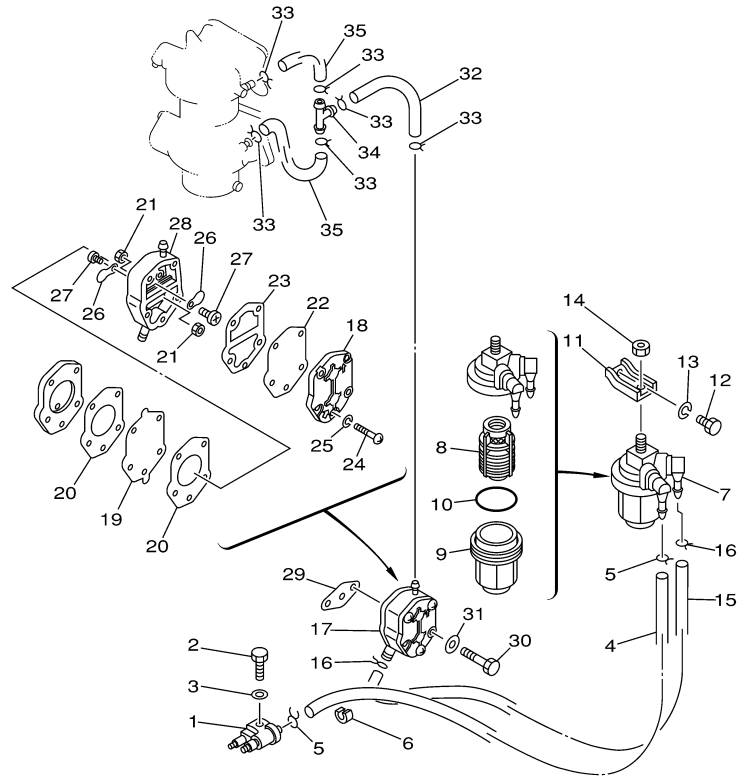
6960100-5030

Part List

E48MLHY 2000 / INTAKE

REF - NO	PART NUMBER	PART NAME	QUANTITY	REMARKS
1	696-13610-00-00	REED VALVE ASSY	2	
2	692-W0004-00-00	.REED SET	1	
3	663-13621-A0-00	GASKET, VALVE SEAT	2	
4	663-13622-A0-00	GASKET, VALVE SEAT	2	
5	670-13641-01-94	MANIFOLD 1	2	
6	663-14198-A0-00	GASKET	2	
7	624-14485-00-00	.PIPE, JOINT	2	
8	647-14395-60-00	CAP, OVERFLOW PIPE	2	
9	92995-06100-00	WASHER, SPRING	8	
10	95380-06600-00	NUT, HEXAGON	8	
11	697-41217-01-00	ROD, ACCEL. LEVER	1	
12	663-41257-02-00	ROD, CHOKE 2	1	
13	663-41256-41-00	ROD, CHOKE 1	1	
14	661-41262-02-00	JOINT, CHOKE LEVER	3	
15	697-14417-00-94	COVER 1	1	
16	663-14483-A0-00	GASKET	1	
17	97013-06025-00	BOLT	4	
18	697-14418-00-94	COVER 2	1	
19	697-14416-00-00	GASKET, AIR CLEANER	1	
20	97095-06045-00	.BOLT	2	
21	92995-06100-00	WASHER, SPRING	2	
22	92995-06600-00	WASHER	2	
23	90116-06176-00	BOLT, STUD	8	
24	696-14501-04-00	CARBURETOR ASSY 1	1	1
25	696-14502-04-00	CARBURETOR ASSY 2	1	2
26	663-14950-29-00	.PILOT, AIR JET	2	
27	663-14945-34-00	.JET (135)	2	
28	697-14991-00-00	.SCREW	2	
29	679-14557-00-00	.WASHER	2	
30	663-14567-01-00	.SCREW	2	
31	663-14942-22-00	.JET, PILOT	2	
32	63V-14523-00-00	.SCREW, STOP	1	2
33	90501-10326-00	.SPRING, COMPRESSION	1	2
34	663-14923-00-00	.SCREW, PILOT	2	
35	90501-08214-00	.SPRING, COMPRESSION	2	
36	6K5-14592-00-00	.SCREW	1	1
37	90201-05652-00	.WASHER, PLATE	1	1
38	663-14947-01-00	.JET, NEEDLE	2	
39	663-14943-40-00	.JET, MAIN (165)	2	
40	696-14590-00-00	.NEEDLE VALVE ASSY	2	
41	663-14159-00-00	.CLIP	2	
42	93210-07229-00	.O-RING	2	
43	810-14186-00-00	.PIN, FLOAT	2	
44	371-14919-60-00	.CLIP	2	
45	98580-04006-00	.SCREW, PAN HEAD	2	
46	6F0-14985-00-00	.FLOAT	2	
47	663-14548-00-00	.PIN, FLOAT ARM	2	
48	93210-64272-00	.O-RING	2	
49	663-14980-00-00	.BODY, FLOAT CHAMBER	2	
50	97980-04112-00	.SCREW, WITH WASHER	8	
51	6H3-14992-00-00	.SCREW, DRAIN	2	
52	93210-04230-00	.O-RING	2	

E48MLHY 2000 / FUEL



6960100-0040

©2014 Yamaha Motor Corporation, U.S.A. All rights reserved.



Part List

E48MLHY 2000 / FUEL

REF - NO	PART NUMBER	PART NAME	QUANTITY	REMARKS
1	6G1-24304-02-00	FUEL PIPE JOINT COMP. 1	1	
2	97095-06020-00	BOLT	1	
3	92995-06600-00	WASHER	1	
4	90445-09109-00	.HOSE (L400)	1	
5	90467-08004-00	CLIP	2	
6	90464-04011-00	CLAMP	1	
7	61N-24560-00-00	FILTER ASSY	1	
8	61N-24563-00-00	.ELEMENT, FILTER	1	
9	61N-24521-00-00	.CUP, FILTER	1	
10	93210-32738-00	.O-RING	1	
11	6E9-24566-70-00	BRACKET, FILTER	1	
12	97013-06014-00	BOLT	1	
13	92903-06100-00	WASHER, SPRING	1	
14	95380-08600-00	NUT	1	
15	90445-09097-00	HOSE (L250)	1	
16	90467-08004-00	CLIP	2	
17	692-24410-00-00	FUEL PUMP ASSY	1	
18	6A0-24413-00-00	.BODY 2	1	
19	692-24411-00-00	.DIAPHRAGM	1	
20	648-24434-01-00	.GASKET, BODY	2	
21	95380-03600-00	.NUT	2	
22	663-24411-00-00	.DIAPHRAGM	1	
23	648-24435-02-00	.GASKET, BODY 2	1	
24	98503-05028-00	.SCREW, PAN HEAD	3	
25	92990-05100-00	.WASHER, SPRING	3	
26	6A0-24421-01-00	.VALVE, CHECK	2	
27	6A0-14325-00-00	.SCREW, PAN HEAD	2	
28	6A0-24412-02-00	.BODY 1	1	
29	650-24431-A0-00	GASKET, FUEL PUMP 1	1	
30	97095-06040-00	.BOLT	2	
31	92995-06600-00	WASHER	2	
32	90445-09086-00	HOSE (L170)	1	
33	90467-08004-00	CLIP	6	
34	688-24378-00-00	PIPE, JOINT 3	1	
35	90445-09061-00	HOSE (L65)	2	

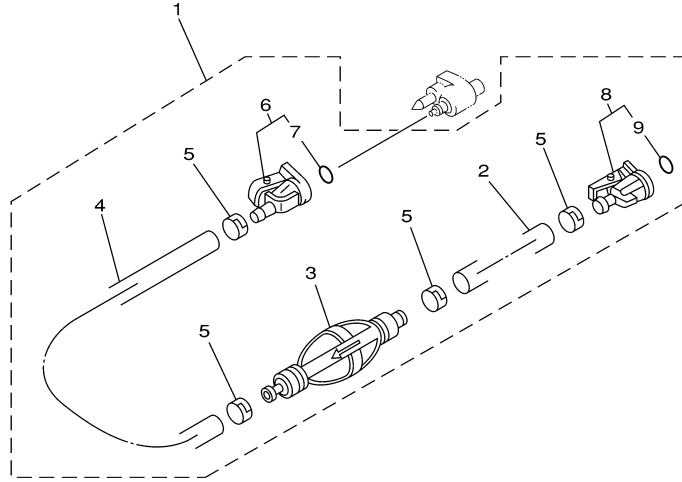
Part Notes

E48MLHY 2000 / FUEL

PART NUMBER	NOTE TEXT
692-24410-00-00 	OEM: This part number is among the Top 100 Most Popular Marine Maintenance Parts as of March 2014.
650-24431-A0-00 	OEM: This part number is among the Top 100 Most Popular Marine Maintenance Parts as of March 2014.

©2014 Yamaha Motor Corporation, U.S.A. All rights reserved.

E48MLHY 2000 / FUEL 2



6960100-0050

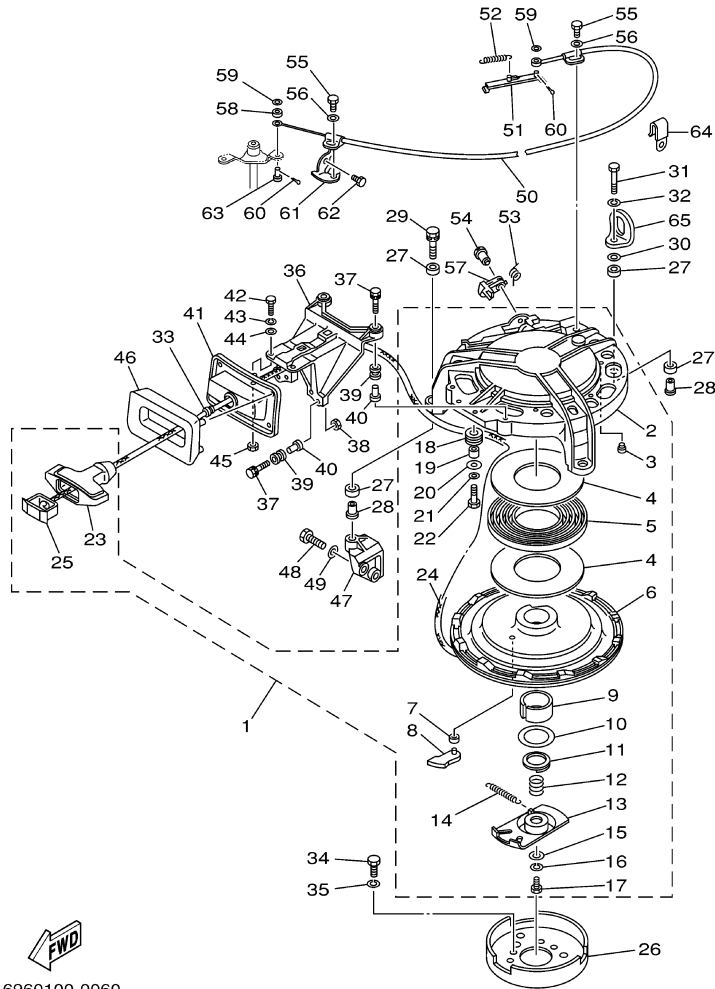
©2014 Yamaha Motor Corporation, U.S.A. All rights reserved.

Part List

E48MLHY 2000 / FUEL 2

REF - NO	PART NUMBER	PART NAME	QUANTITY	REMARKS
1	6Y1-24306-52-00	FUEL PIPE COMP. 1	1	AP
2	90445-11M06-00	.HOSE (L2050)	1	
3	6Y1-24360-51-00	.PRIMER PUMP ASSY	1	
4	90445-11M05-00	.HOSE (L850)	1	
5	650-24351-51-00	.BAND 1	4	
6	6G1-24305-02-00	.FUEL PIPE JOINT COMP 2	1	
7	93210-08287-00	..O-RING	1	
8	6Y1-24305-03-00	.FUEL PIPE JOINT COMP 2	1	
9	93210-08287-00	..O-RING	1	

E48MLHY 2000 / STARTER



6960100-0060

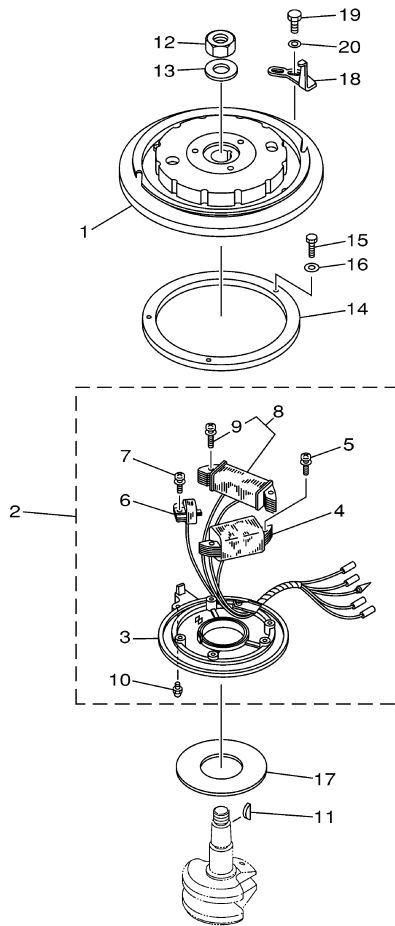
Part List

E48MLHY 2000 / STARTER

REF - NO	PART NUMBER	PART NAME	QUANTITY	REMARKS
1	696-W1571-02-00	STARTER ASSY	1	
2	663-15711-02-00	.CASE, STARTER	1	
3	696-15773-00-00	.STAY 3	6	
4	663-15739-00-00	.WASHER, THRUST	2	
5	663-15713-00-00	.SPRING, STARTER	1	
6	663-15714-01-00	.DRUM, SHEAVE	1	
7	663-15764-00-00	.COLLAR 1	1	
8	663-15741-02-00	.PAWL, DRIVE	1	
9	663-15754-00-00	.BUSH 2	1	
10	663-15726-01-00	.WASHER, FLAT	1	
11	663-15744-00-00	.CIRCLIP	1	
12	663-15715-00-00	.SPRING, FRICTION	1	
13	696-15716-00-00	.PLATE, DRIVE	1	
14	696-15734-00-00	.SPRING, RETURN	1	
15	663-15719-00-00	.WASHER, THRUST	1	
16	92903-06100-00	.WASHER, SPRING	1	
17	97303-06016-00	.BOLT	1	
18	663-15752-00-00	.ROLLER, WIRE	1	
19	663-15753-00-00	.BUSH	1	
20	663-15791-00-00	.WASHER, LOCK	1	
21	92903-06100-00	.WASHER, SPRING	1	
22	97303-06025-00	.BOLT	1	
23	689-15755-01-00	.HANDLE, STARTER	1	
24	90580-50M01-00	.ROPE, STARTER	1	
25	6F5-15779-02-00	.COVER	1	
26	6K5-15723-00-00	PULLEY, STARTER	1	
27	90385-12M04-00	BUSH	6	
28	90387-08M05-00	COLLAR	3	
29	90119-08M26-00	BOLT, WITH WASHER	2	
30	90201-08095-00	WASHER, PLATE	1	
31	97095-08040-00	BOLT	1	
32	92995-08100-00	WASHER	1	
33	697-15789-00-00	DAMPER	1	
34	97013-08014-00	BOLT	3	
35	92903-08100-00	WASHER, SPRING	3	
36	697-15787-00-94	ADAPTOR	1	
37	90119-06M30-00	BOLT, WITH WASHER	4	
38	95303-06600-00	.NUT	2	
39	6A0-82317-00-00	DAMPER, IGNITION COIL	4	
40	624-42542-00-00	PIPE	4	
41	697-15758-01-4D	GUIDE, ROPE	1	
42	97095-06020-00	BOLT	2	
43	92995-06100-00	WASHER, SPRING	2	
44	92995-06600-00	WASHER	2	
45	95303-06600-00	.NUT	2	
46	697-15762-00-00	SEAL, RUBBER 2	1	
47	663-15771-00-94	STAY 1	1	
48	97013-08030-00	BOLT	2	
49	92903-08100-00	WASHER, SPRING	2	
50	697-15770-01-00	CABLE COMP., STARTER STOP	1	
51	663-15735-01-00	GUIDE, CAM	1	
52	90506-08M23-00	SPRING, TENSION	1	
53	90508-12015-00	SPRING, TORSION	1	

54	90149-05095-00	SCREW	1	
55	97095-06012-00	BOLT	2	
56	92995-06600-00	WASHER	2	
57	663-15794-00-00	STOPPER	1	
58	663-15736-00-00	RING, RETAINING 1	1	
59	92995-06200-00	.WASHER	2	
60	91490-16012-00	.PIN, COTTER	2	
61	663-15772-01-00	STAY 2	1	
62	97013-08012-00	BOLT	1	
63	91702-06014-00	PIN, CLEVIS	1	
64	90465-06M90-00	CLAMP	1	
65	697-11119-00-00	HANGER, ENGINE	1	

E48MLHY 2000 / GENERATOR



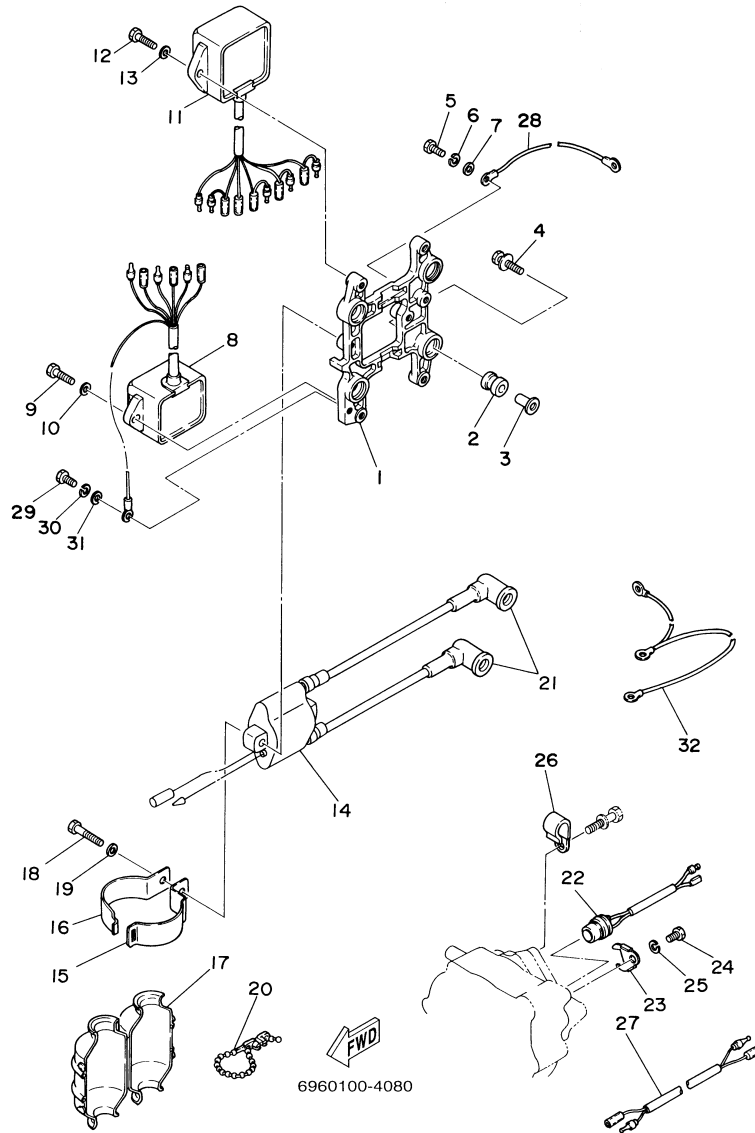
6960100-0070

Part List

E48MLHY 2000 / GENERATOR

REF - NO	PART NUMBER	PART NAME	QUANTITY	REMARKS
1	696-85550-F1-00	ROTOR ASSY	1	
2	696-85560-F0-00	BASE ASSY	1	
3	696-85561-F0-00	.BASE, MAGNETO	1	
4	6E7-85520-70-00	.COIL, CHARGE	1	
5	90159-05039-00	.SCREW, W/WASHER	2	
6	6E7-85580-70-00	.COIL, PULSER	1	
7	90159-05038-00	.SCREW, WITH WASHER	1	
8	696-81303-F0-00	.LIGHTING COIL ASSY	1	
9	90159-05040-00	..SCREW, WITH WASHER	2	
10	663-85518-00-00	.JOINT, BALL	1	
11	90280-05015-00	KEY, WOODRUFF	1	
12	90170-20137-00	NUT	1	
13	90201-21M18-00	WASHER, PLATE	1	
14	663-41612-00-00	RETAINER, MAGNETO BASE	1	
15	97013-06020-00	BOLT	3	
16	92903-06600-00	WASHER, PLATE	3	
17	663-41619-00-00	WASHER, MAGNETO	1	
18	663-81332-01-00	PLATE, TIMING	1	
19	97095-06016-00	BOLT	1	
20	92995-06600-00	WASHER	1	

E48MLHY 2000 / ELECTRICAL 1



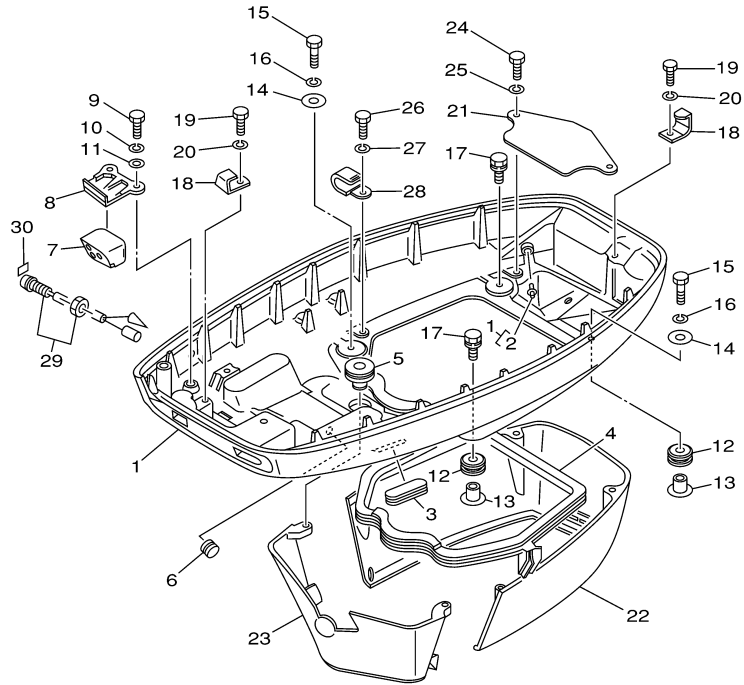
©2014 Yamaha Motor Corporation, U.S.A. All rights reserved.

Part List

E48MLHY 2000 / ELECTRICAL 1

REF - NO	PART NUMBER	PART NAME	QUANTITY	REMARKS
1	696-85542-00-94	BRACKET	1	
2	6A0-82317-00-00	DAMPER, IGNITION COIL	4	
3	624-42542-00-00	PIPE	4	
4	90119-06M59-00	BOLT, WITH WASHER	4	
5	97013-06012-00	BOLT	1	
6	92903-06100-00	WASHER, SPRING	1	
7	92903-06600-00	WASHER, PLATE	1	
8	696-85540-11-00	C.D.I. UNIT ASSY	1	
9	97013-06020-00	BOLT	2	
10	92903-06600-00	WASHER, PLATE	2	
11	696-85590-10-00	CONTROL UNIT ASSY	1	
12	97013-06020-00	BOLT	2	
13	92903-06600-00	WASHER, PLATE	2	
14	696-85570-11-00	IGNITION COIL ASSY	1	
15	696-81443-00-00	CLAMP, LEAD 1	1	
16	696-81444-00-00	CLAMP, LEAD 2	1	
17	696-81916-00-00	COVER, TERMINAL	1	
18	97095-06030-00	BOLT	2	
19	92995-06600-00	WASHER	2	
20	90464-20M04-00	CLAMP	1	
21	663-82370-01-00	PLUG CAP ASSY	2	
22	688-82560-00-00	THERMO SWITCH ASSY	1	
23	663-82588-00-00	PLATE	1	
24	97013-06010-00	BOLT	1	
25	92903-06100-00	WASHER, SPRING	1	
26	90465-06M86-00	.CLAMP	1	
27	696-82531-00-00	WIRE, LEAD	1	
28	662-82519-00-00	WIRE, EARTH LEAD	1	
29	97013-06012-00	BOLT	1	
30	92903-06100-00	WASHER, SPRING	1	
31	92903-06600-00	WASHER, PLATE	1	
32	697-82519-00-00	WIRE, EARTH LEAD	1	

E48MLHY 2000 / BOTTOM COWLING




6960100-0090

Part List

E48MLHY 2000 / BOTTOM COWLING

REF - NO	PART NUMBER	PART NAME	QUANTITY	REMARKS
1	696-42711-03-4D	COWLING, BOTTOM	1	
2	663-24376-00-00	.PIPE, JOINT 1	1	
3	6H4-42726-00-00	GROMMET	1	
4	663-42716-01-00	RUBBER, SEAL 1	1	
5	663-42724-00-00	GROMMET	1	
6	90480-12004-00	GROMMET	1	
7	663-42725-11-00	GROMMET	1	
8	663-42738-03-94	PLATE, FITTING	1	
9	97095-06016-00	BOLT	2	
10	92995-06100-00	WASHER, SPRING	2	
11	92995-06600-00	WASHER	2	
12	90480-09M12-00	GROMMET	4	
13	90387-06M03-00	COLLAR	4	
14	90201-06416-00	WASHER, PLATE	2	
15	97095-06030-00	BOLT	2	
16	92995-06100-00	WASHER, SPRING	2	
17	90119-06M08-00	BOLT, WITH WASHER	2	
18	663-42744-02-00	STAY	2	
19	97095-06014-00	BOLT	2	
20	92995-06100-00	WASHER, SPRING	2	
21	663-42723-01-94	COVER, BOTTOM	1	
22	663-42741-00-4D	APRON	1	
23	663-42771-02-4D	APRON	1	
24	97095-06020-00	BOLT	2	
25	92995-06100-00	WASHER, SPRING	2	
26	97095-06025-00	BOLT	2	
27	92995-06100-00	WASHER, SPRING	2	
28	90465-06M86-00	.CLAMP	1	
29	6E9-85411-00-00	OVERHEAT WARNING LAMP	1	
30	692-85415-00-00	MARK, SIGNAL LAMP	1	

Part List

E48MLHY 2000 / STEERING

REF - NO	PART NUMBER	PART NAME	QUANTITY	REMARKS
1	697-W0084-00-4D	HANDLE STEERING ASSY	1	
2	663-42111-02-4D	HANDLE, STEERING	1	
3	664-42119-00-00	GRIP, STEERING HANDLE	1	
4	6F6-42177-A0-00	RUBBER, HANDLE	1	
5	697-42137-10-00	INDICATOR, THROTTLE	1	
6	90269-02M09-00	RIVET	1	
7	90149-05M13-00	SCREW	1	
8	92903-10600-00	WASHER, PLATE	1	
9	90501-23215-00	SPRING, COMPRESSION	1	
10	90386-08032-00	BUSH	1	
11	663-42115-00-00	SHAFT, STEERING HANDLE	1	
12	663-42138-00-00	LEVER, THROTTLE	1	
13	91690-30216-00	PIN, SPRING	1	
14	663-42135-01-00	HOUSING, THROTTLE LEVER	1	
15	663-42133-01-00	GASKET	1	
16	663-42134-03-94	COVER, THROTTLE LEVER	1	
17	93700-06M03-00	NIPPLE, GREASE	1	
18	97885-06008-00	SCREW, PAN HEAD	1	
19	97885-05012-00	SCREW, PAN HEAD	4	
20	692-26301-03-00	THROTTLE CABLE ASSY	1	
21	697-42121-00-4D	BRACKET	1	
22	90101-12M06-00	BOLT	1	
23	92990-12200-00	WASHER, PLAIN	1	
24	90386-12089-00	BUSH	1	
25	90202-12092-00	WASHER, PLATE	2	
26	90201-12537-00	WASHER, PLATE	2	
27	90206-12054-00	WASHER, WAVE	1	
28	90185-12058-00	NUT, SELF-LOCKING	1	
29	697-44113-00-00	CAM PLATE, HANDLE	1	
30	6K5-44191-00-00	INDICATOR, SHIFT	1	
31	97013-06016-00	BOLT	2	
32	92903-06100-00	WASHER, SPRING	2	
33	697-44159-00-00	HANDLE, GEAR SHIFT	1	
34	663-44173-00-00	LEVER, SHIFT CONTROL	1	
35	90501-16M17-00	SPRING, COMPRESSION	1	
36	93515-32M01-00	BALL	1	
37	90386-10009-00	.BUSH	2	
38	90201-10120-00	.WASHER, PLATE	1	
39	90185-10051-00	NUT, SELF-LOCKING	1	
40	90387-12M30-00	COLLAR	1	
41	90201-12M34-00	.WASHER, PLATE	1	
42	663-42164-00-00	ROD, MANUAL SHIFT	1	
43	92990-06600-00	WASHER, PLATE	1	
44	91490-25012-00	PIN, COTTER	1	
45	90386-06088-00	BUSH	1	
46	700-48339-00-00	NUT, CABLE END	1	
47	697-42515-00-00	ROD, STEERING LINK	1	AP
48	95780-08300-00	..NUT, FLANGE	2	AP
49	92995-08600-00	WASHER	2	AP
50	663-42518-00-00	.SHAFT, FRICTION	1	AP
51	663-42528-00-00	.PLATE, FRICTION	1	AP
52	97095-06035-00	BOLT	1	AP
53	90175-06003-00	.NUT, WING	1	AP

54	663-42126-01-00	THROTTLE FRICTION	1	
55	97080-06025-00	BOLT	2	
56	92990-06600-00	WASHER, PLATE	1	
57	90175-06003-00	.NUT, WING	1	
58	6K5-82575-02-00	ENGINE STOP SWITCH ASSY	1	
59	682-82556-00-00	.LANYARD, STOP SWITCH	1	
60	689-8257Y-00-00	.CAP	1	

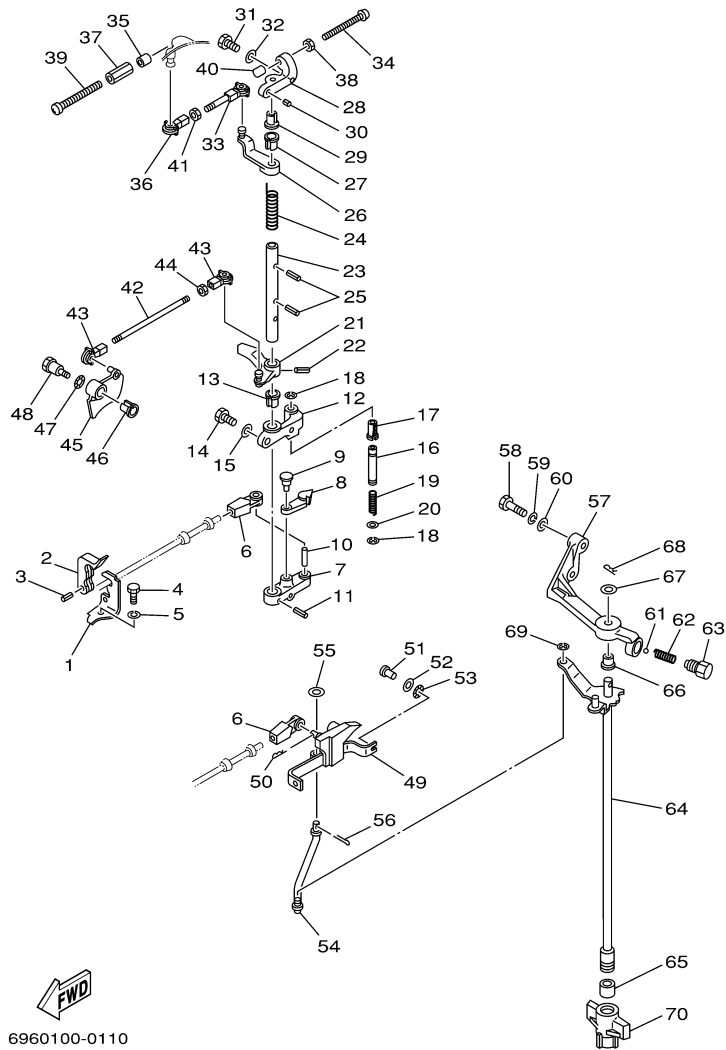
Part Notes

E48MLHY 2000 / STEERING

PART NUMBER		NOTE TEXT
92990-06600-00		OEM: This part number is among the Top 100 Most Popular Marine Maintenance Parts as of March 2014.
92990-06600-00		OEM: This part number is among the Top 100 Most Popular Marine Maintenance Parts as of March 2014.
682-82556-00-00		OEM: This part number is among the Top 100 Most Popular Marine Maintenance Parts as of March 2014.

©2014 Yamaha Motor Corporation, U.S.A. All rights reserved.

E48MLHY 2000 / CONTROL



©2014 Yamaha Motor Corporation, U.S.A. All rights reserved.

Part List



E48MLHY 2000 / CONTROL

REF - NO	PART NUMBER	PART NAME	QUANTITY	REMARKS
1	663-48531-00-00	BRACKET, REMOTE CONTROL	1	
2	663-48538-00-00	CLAMP, CABLE 1	1	
3	91690-30012-00	.PIN, SPRING	1	
4	97095-08016-00	BOLT	1	
5	92995-08100-00	WASHER	1	
6	663-48344-00-00	.CABLE END, REMOTE CONTROL	2	
7	663-41632-00-94	LEVER, MAGNETO CONTROL	1	
8	663-41282-00-00	STOPPER, FREE ACCEL. LINK	1	
9	90249-05125-00	PIN	1	
10	93607-23110-00	PIN, DOWEL	1	
11	91690-30018-00	PIN, SPRING	1	
12	663-41662-00-94	BRACKET	1	
13	90386-10009-00	.BUSH	1	
14	97095-06018-00	.BOLT	2	
15	92995-06600-00	WASHER	2	
16	663-44114-00-00	STOPPER	1	
17	90386-06M39-00	BUSH	1	
18	93430-05027-00	CIRCLIP	2	
19	90501-08232-00	SPRING, COMPRESSION	1	
20	92903-06600-00	WASHER, PLATE	1	
21	663-41633-00-94	LEVER, MAGNETO CONTROL	1	
22	91690-30018-00	PIN, SPRING	1	
23	663-41635-00-00	SHAFT, LINK CONNECTING	1	
24	90508-20169-00	SPRING, TORSION	1	
25	91690-30018-00	PIN, SPRING	2	
26	663-41631-00-94	LEVER, MAGNETO CONTROL	1	
27	90386-10009-00	.BUSH	1	
28	663-41661-00-94	BRACKET	1	
29	90386-10009-00	.BUSH	1	
30	91690-40010-00	PIN, SPRING	1	
31	97095-06018-00	.BOLT	1	
32	92995-06600-00	WASHER	1	
33	688-41636-00-00	ROD, MAGNETO CONTROL	1	
34	90157-06M12-00	SCREW, PAN HEAD	1	
35	688-44194-00-00	CAP	1	
36	662-41237-01-00	JOINT, LINK	1	
37	90170-06017-00	NUT	1	
38	95380-06700-00	NUT	1	
39	90157-06M12-00	SCREW, PAN HEAD	1	
40	663-44194-00-00	CAP	1	
41	95380-05600-00	NUT	1	
42	663-41211-00-00	LINK, ACCEL.	1	
43	662-41237-01-00	JOINT, LINK	2	
44	95380-05600-00	NUT	1	
45	663-41213-01-94	CAM, ACCEL.	1	
46	90386-10009-00	.BUSH	1	
47	90206-10M04-00	WASHER, WAVE	1	
48	90109-06260-00	BOLT	1	
49	663-44117-01-00	BRACKET	1	
50	90468-18008-00	CLIP	1	
51	90241-06M00-00	PIN	1	
52	92903-06600-00	WASHER, PLATE	1	
53	90206-06040-00	WASHER, WAVE	1	

54	663-44121-01-00	LEVER, SHIFT ROD	1	
55	92903-06600-00	WASHER, PLATE	1	
56	91490-16012-00	.PIN, COTTER	1	
57	688-44118-00-94	BRACKET	1	
58	97013-08030-00	BOLT	2	
59	92903-08100-00	WASHER, SPRING	2	
60	92903-08600-00	WASHER, PLATE	2	
61	93501-04M02-00	BALL	1	
62	90501-12082-00	SPRING, COMPRESSION	1	
63	648-42715-00-00	BUSHING	1	
64	696-44120-12-00	HANDLE GEAR SHIFT ASSY	1	
65	696-44147-00-00	BOOT, SHIFT ROD	1	
66	90386-08006-00	BUSH	1	
67	92990-08200-00	WASHER, PLAIN	1	
68	90468-18008-00	CLIP	1	
69	93430-05027-00	CIRCLIP	1	
70	696-43662-00-00	GUIDE, REVERSE ROD	1	

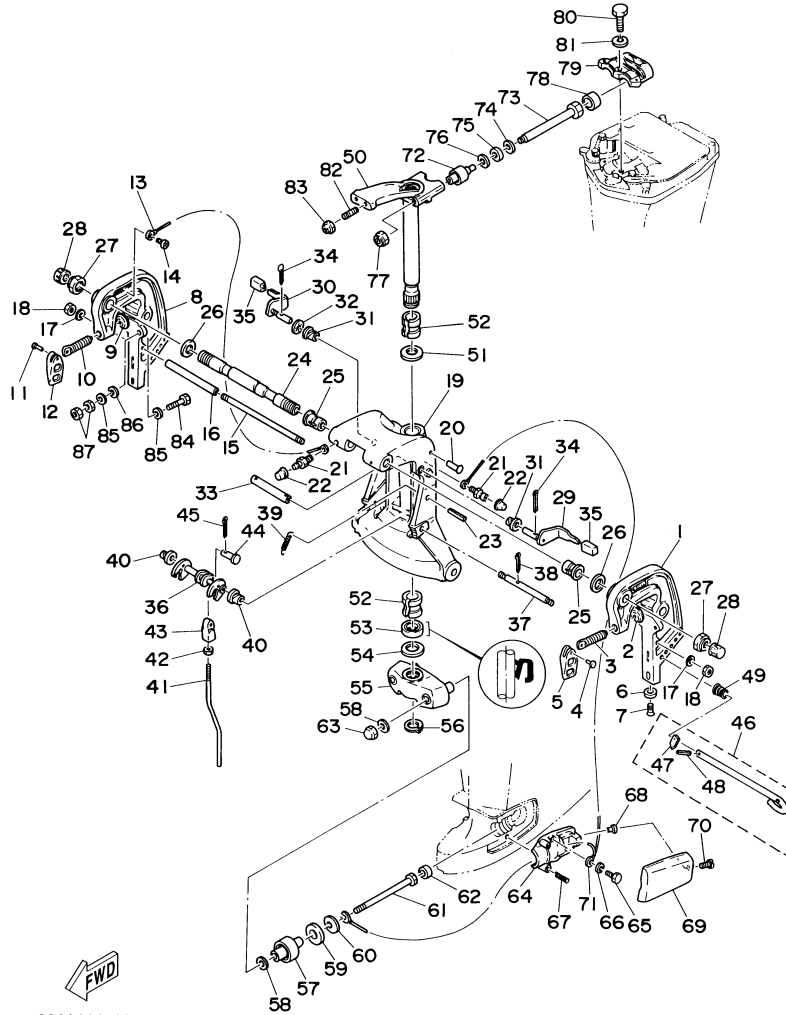
Part Notes

E48MLHY 2000 / CONTROL

PART NUMBER		NOTE TEXT
90468-18008-00		OEM: This part number is among the Top 100 Most Popular Marine Maintenance Parts as of March 2014.
90468-18008-00		OEM: This part number is among the Top 100 Most Popular Marine Maintenance Parts as of March 2014.

©2014 Yamaha Motor Corporation, U.S.A. All rights reserved.

E48MLHY 2000 / BRACKET 1



6960100-4120

Part List


E48MLHY 2000 / BRACKET 1

REF - NO	PART NUMBER	PART NAME	QUANTITY	REMARKS
1	696-43111-01-4D	BRACKET, CLAMP	1	
2	648-43114-01-00	PAD, TRANSOM CLAMP	1	
3	663-43116-01-00	SCREW, TRANSOM CLAMP	1	
4	90243-04007-00	PIN	1	
5	663-43118-01-4D	HANDLE, TRANSOM CLAMP	1	
6	663-45251-00-00	ANODE	1	
7	90152-06M01-00	SCREW, COUNTERSUNK	1	
8	696-43112-00-4D	BRACKET, CLAMP	1	
9	648-43114-01-00	PAD, TRANSOM CLAMP	1	
10	663-43116-01-00	SCREW, TRANSOM CLAMP	1	
11	90243-04007-00	PIN	1	
12	663-43118-01-4D	HANDLE, TRANSOM CLAMP	1	
13	6E5-82148-00-00	WIRE, LEAD 4	1	
14	97880-06012-00	SCREW, PAN HEAD	1	
15	663-43123-00-00	BOLT, CLAMP BRACKET	1	
16	90387-10M03-00	COLLAR	1	
17	92990-10600-00	WASHER, PLATE	2	
18	95380-10600-00	NUT	2	
19	696-43311-10-4D	BRACKET, SWIVEL	1	
20	90269-03010-00	RIVET	1	
21	93700-06M03-00	NIPPLE, GREASE	3	
22	663-45119-00-00	CAP, GREASE NIPPLE	3	AP
23	91690-40040-00	PIN, SPRING	1	
24	696-43131-01-00	BOLT, CLAMP BRACKET	1	
25	90386-22M15-00	BUSH	2	
26	90201-22M03-00	WASHER, PLATE	2	
27	90185-22043-00	NUT, SELF-LOCKING	2	
28	6G5-43145-00-00	CAP, CLAMP BRACKET	2	
29	697-43181-02-00	LEVER, TILT STOP	1	
30	697-43185-02-00	LEVER, TILT STOP	1	
31	90386-10045-00	BUSH	2	
32	90206-10M08-00	WASHER, WAVE	1	
33	90387-10269-00	COLLAR	1	
34	91490-30025-00	PIN. COTTER	2	
35	663-43318-00-00	COVER	2	
36	696-43610-00-00	TILT LOCK ASSY	1	
37	696-43611-00-00	SHAFT, TILT LOCK	1	
38	91490-25025-00	PIN, COTTER	1	
39	90506-12078-00	SPRING, TENSION	1	
40	90386-10045-00	BUSH	2	
41	670-43616-11-00	ROD, TILT LOCK	1	
42	95380-08600-00	NUT	1	
43	663-43653-00-00	NUT, CONNECTION	1	
44	90240-08M21-00	PIN, CLEVIS	1	
45	91490-20012-00	PIN. COTTER	1	
46	676-43160-02-00	TILT ROD ASSY	1	
47	676-43165-00-00	.PLATE, TILT LOCK	1	
48	91690-30012-00	.PIN, SPRING	1	
49	90502-10M04-00	SPRING, CONICAL	1	
50	663-42510-13-4D	STEERING BRACKET ASSY	1	
51	90201-30M00-00	WASHER, PLATE	1	
52	90386-30048-00	BUSH	2	
53	93109-30M03-00	OIL SEAL	1	

54	90201-31418-00	WASHER, PLATE	1	
55	663-44551-02-4D	HOUSING, LOWER MOUNT RUBBER	1	
56	93410-28M06-00	CIRCLIP	1	
57	670-44555-00-94	MOUNT DAMPER, LOWER SIDE	2	
58	90201-12M16-00	WASHER, PLATE	4	
59	90202-21100-00	WASHER, PLATE	2	
60	90201-13421-00	WASHER, PLATE	2	
61	90109-12261-00	BOLT	2	
62	670-44575-00-00	DAMPER, LOWER MOUNT RUBBER	2	
63	95380-12800-00	NUT, CROWN	2	
64	663-44552-01-94	HOUSING, LOWER MOUNT RUBBER	2	
65	97075-08025-00	BOLT	4	
66	92995-08100-00	WASHER	4	
67	90501-14M08-00	SPRING, COMPRESSION	4	
68	90179-06066-00	NUT	2	
69	663-44553-01-4D	COVER, LOWER MOUNT	2	
70	97885-06016-00	SCREW, PAN HEAD	2	
71	696-82127-10-00	WIRE, LEAD 2	1	
72	670-44514-00-94	MOUNT DAMPER, UPPER SIDE	2	
73	90109-08262-00	BOLT	2	
74	90201-15423-00	WASHER, PLATE	2	
75	90202-15095-00	WASHER, PLATE	2	
76	90201-09425-00	WASHER, PLATE	2	
77	90185-08045-00	NUT, SELF-LOCKING	2	
78	663-44533-00-00	DAMPER, UPPER MOUNT RUBBER	2	
79	663-44511-00-94	COVER, UPPER MOUNT	1	
80	97075-08035-00	BOLT	3	
81	92995-08100-00	WASHER	3	
82	90116-10175-00	BOLT, STUD	2	
83	90185-10051-00	NUT, SELF-LOCKING	2	
84	90101-10M58-00	BOLT	4	
85	92995-10600-00	WASHER	8	
86	90201-12426-00	WASHER, PLATE	4	
87	95380-10600-00	NUT	8	

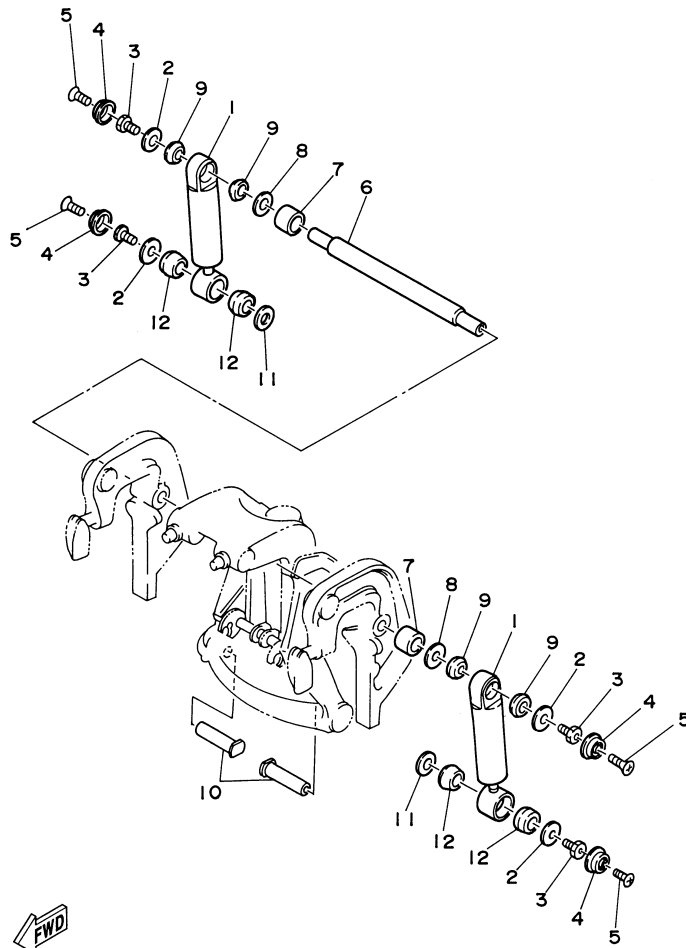
Part Notes

E48MLHY 2000 / BRACKET 1

PART NUMBER	NOTE TEXT
92990-10600-00 	OEM: This part number is among the Top 100 Most Popular Marine Maintenance Parts as of March 2014.

©2014 Yamaha Motor Corporation, U.S.A. All rights reserved.

E48MLHY 2000 / BRACKET 2



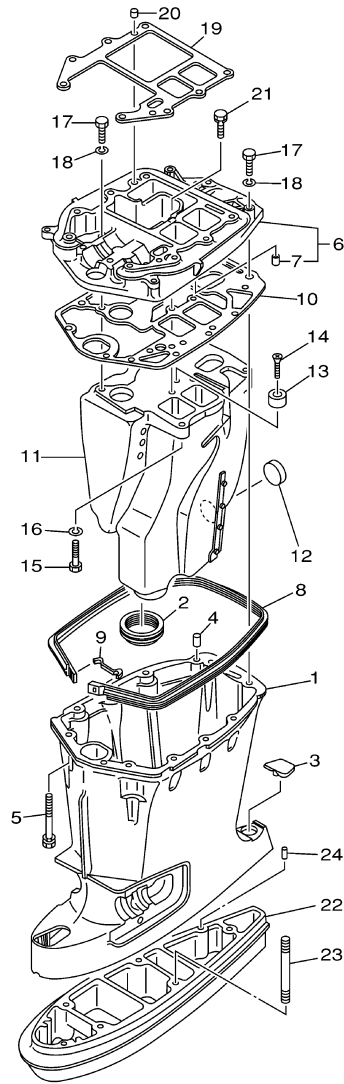

6960100-4130

Part List

E48MLHY 2000 / BRACKET 2

REF - NO	PART NUMBER	PART NAME	QUANTITY	REMARKS
1	663-43170-02-4D	SHOCK ABSORBER ASSY	2	
2	90201-12426-00	WASHER, PLATE	4	
3	90109-12263-00	BOLT	4	
4	663-43125-00-00	COVER, SHOCK MOUNT	4	
5	98780-05015-00	SCREW, FLAT HEAD	4	
6	663-43126-00-00	PIN, UPPER SHOCK MOUNT	1	
7	90560-25061-00	SPACER	2	
8	90201-19427-00	WASHER, PLATE	2	
9	90385-19008-00	BUSH	4	
10	663-43124-00-00	PIN, LOWER SHOCK MOUNT	2	
11	90202-19059-00	WASHER, PLATE	2	
12	90385-19007-00	BUSH	4	

E48MLHY 2000 / UPPER CASING



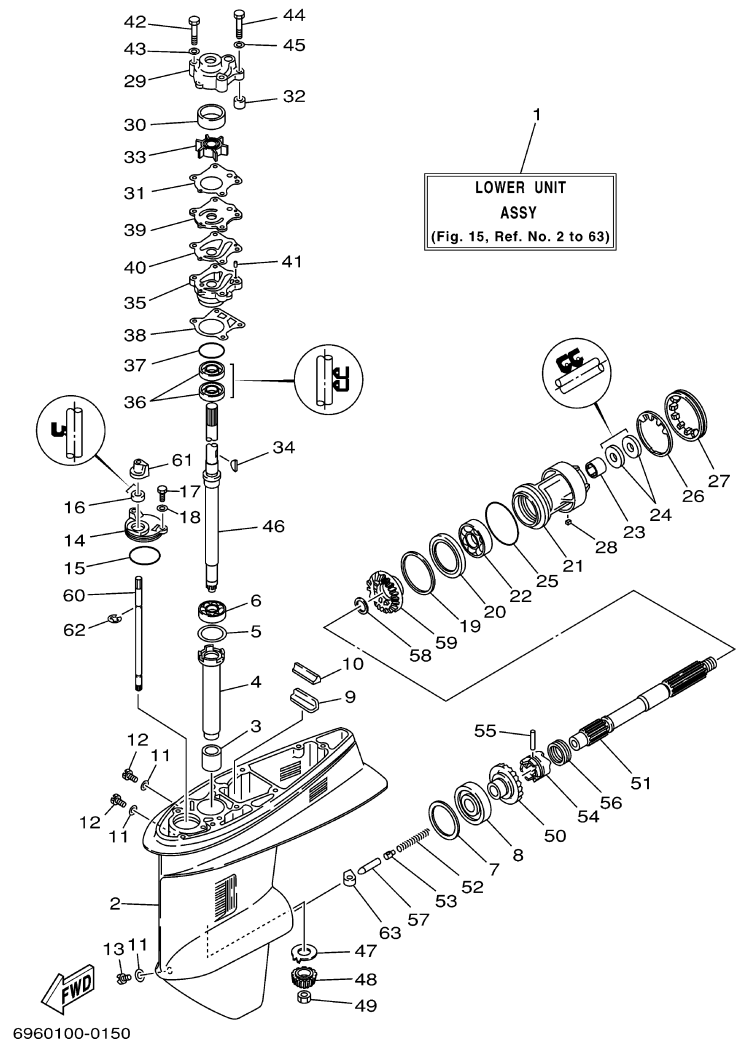

6960100-0140

Part List

E48MLHY 2000 / UPPER CASING

REF - NO	PART NUMBER	PART NAME	QUANTITY	REMARKS
1	697-45111-13-4D	CASING, UPPER	1	
2	663-45123-00-00	GASKET, MUFFLER	1	
3	663-45155-10-00	CAP	1	
4	93606-12019-00	.PIN, DOWEL	2	
5	90119-08M82-00	BOLT, WITH WASHER	8	
6	663-41137-04-5B	GUIDE, EXHAUST	1	
7	90386-02M04-00	BUSH	1	
8	663-45127-00-00	SEAL	1	
9	663-45129-00-00	HOOK, DAMPER SEAL	1	
10	697-45114-A0-00	GASKET, UPPER CASING	1	
11	663-14711-12-5B	MUFFLER 1	1	
12	90334-30017-00	PLUG, STRAIGHT	1	
13	663-45251-00-00	ANODE	1	
14	90152-06M01-00	SCREW, COUNTERSUNK	1	
15	97075-08035-00	BOLT	1	
16	92995-08100-00	WASHER	1	
17	97075-08030-00	BOLT	6	
18	92995-08100-00	WASHER	6	
19	696-45113-A0-00	GASKET, UPPER CASING	1	
20	93606-12019-00	.PIN, DOWEL	2	
21	97575-08440-00	BOLT, WITH WASHER	1	
22	696-45211-01-4D	EXTENSION	1	
23	90116-10M31-00	BOLT, STUD	4	
24	93606-12019-00	.PIN, DOWEL	2	

E48MLHY 2000 / LOWER CASING DRIVE 1



6960100-0150

©2014 Yamaha Motor Corporation, U.S.A. All rights reserved.

Part List



E48MLHY 2000 / LOWER CASING DRIVE 1

REF - NO	PART NUMBER	PART NAME	QUANTITY	REMARKS
1	696-45300-12-4D	LOWER UNIT ASSY	1	
2	697-45311-02-4D	CASING, LOWER	1	
3	93315-32224-00	BEARING	1	
4	663-45536-00-00	SLEEVE, DRIVE SHAFT	1	
5	663-45587-01-30	SHIM (T:0.30MM)	1	UR
5	663-45587-01-18	SHIM (T:0.18MM)	1	UR
5	663-45587-01-15	SHIM (T:0.15MM)	1	UR
5	663-45587-01-12	SHIM (T:0.12MM)	1	UR
5	663-45587-01-10	SHIM (T:0.10MM)	1	UR
5	663-45587-01-40	SHIM (T:0.40MM)	1	UR
5	663-45587-01-50	SHIM (T:0.50MM)	1	UR
6	93332-00001-00	BEARING	1	
7	663-45567-01-12	SHIM (T:0.12MM)	1	UR
7	663-45567-01-15	SHIM (T:0.15MM)	1	UR
7	663-45567-01-10	SHIM (T:0.10MM)	1	UR
7	663-45567-01-18	SHIM (T:0.18MM)	1	UR
7	663-45567-01-30	SHIM (T:0.30MM)	1	UR
7	663-45567-01-40	SHIM (T:0.40MM)	1	UR
7	663-45567-01-50	SHIM (T:0.50MM)	1	UR
8	93332-00003-00	BEARING	1	
9	663-45376-00-94	GUIDE, SEAL DAMPER	1	
10	663-45375-00-00	DAMPER, SEAL	1	
11	90430-08020-00	.GASKET	3	
12	90340-08M04-00	PLUG, STRAIGHT SCREW	2	
13	688-45341-00-00	PLUG, DRAIN	1	
14	663-45321-00-00	PLATE	1	
15	93210-49046-00	.O-RING	1	
16	93106-09014-00	.OIL SEAL	1	
17	97095-06016-00	BOLT	2	
18	92995-06600-00	WASHER	2	
19	663-45577-01-30	SHIM (T:0.30MM)	1	UR
19	663-45577-01-18	SHIM (T:0.18MM)	1	UR
19	663-45577-01-15	SHIM (T:0.15MM)	1	UR
19	663-45577-01-12	SHIM (T:0.12MM)	1	UR
19	663-45577-01-10	SHIM (T:0.10MM)	1	UR
19	663-45577-01-40	SHIM (T:0.40MM)	1	UR
19	663-45577-01-50	SHIM (T:0.50MM)	1	UR
20	663-45576-00-00	WASHER, THRUST	1	
21	663-45331-00-94	HOUSING, BEARING	1	
22	93306-00702-00	BEARING	1	
23	93317-22204-00	BEARING	1	
24	93101-22067-00	.OIL SEAL	2	
25	93210-66M98-00	O-RING	1	
26	90214-48M03-00	WASHER, CLAW	1	
27	697-45384-00-00	NUT	1	
28	90282-04010-00	KEY, STRAIGHT	1	
29	663-44311-02-00	HOUSING, WATER PUMP	1	
30	663-44322-40-00	.INSERT, CARTRIDGE	1	
31	663-44315-A0-00	GASKET, WATER PUMP	1	
32	663-44366-00-00	.DAMPER, WATER SEAL 2	1	
33	697-44352-00-00	IMPELLER	1	
34	90280-03M03-00	.KEY, WOODRUFF	1	
35	663-44341-00-94	HOUSING, WATER PUMP	1	

36	93101-23070-00	.OIL SEAL	2	
37	93210-41042-00	O-RING	1	
38	663-44316-A0-00	GASKET, WATER PUMP	1	
39	670-44323-00-00	OUTER PLATE, CARTRIDGE	1	
40	663-44324-A0-00	GASKET, CARTRIDGE	1	
41	93604-08062-00	PIN, DOWEL	2	
42	97095-08055-00	BOLT	2	
43	92995-08600-00	WASHER	2	
44	97095-08045-00	.BOLT	2	
45	92995-08600-00	WASHER	2	
46	670-45510-10-00	DRIVE SHAFT ASSY	1	
47	663-45552-00-00	BEARING, PLAIN	1	
48	697-45551-00-00	PINION	1	
49	90170-12138-00	NUT	1	
50	697-45560-00-00	GEAR	1	
51	697-45611-00-00	SHAFT, PROPELLER	1	
52	90501-16233-00	SPRING, COMPRESSION	1	
53	663-45634-00-00	SLIDE, SHIFT	1	
54	663-45631-01-00	CLUTCH, DOG	1	
55	90250-06023-00	PIN, STRAIGHT	1	
56	663-45633-00-00	RING, CROSS PIN	1	
57	688-45635-00-00	PLUNGER, SHIFT	1	
58	90201-22429-00	WASHER, PLATE	1	
59	697-45571-00-00	GEAR	1	
60	663-44144-01-00	ROD, SHIFT	1	
61	663-44155-01-00	CAM, REVERSE ROD	1	
62	93430-08006-00	CIRCLIP	1	
63	663-44151-00-00	CAM, SHIFT	1	

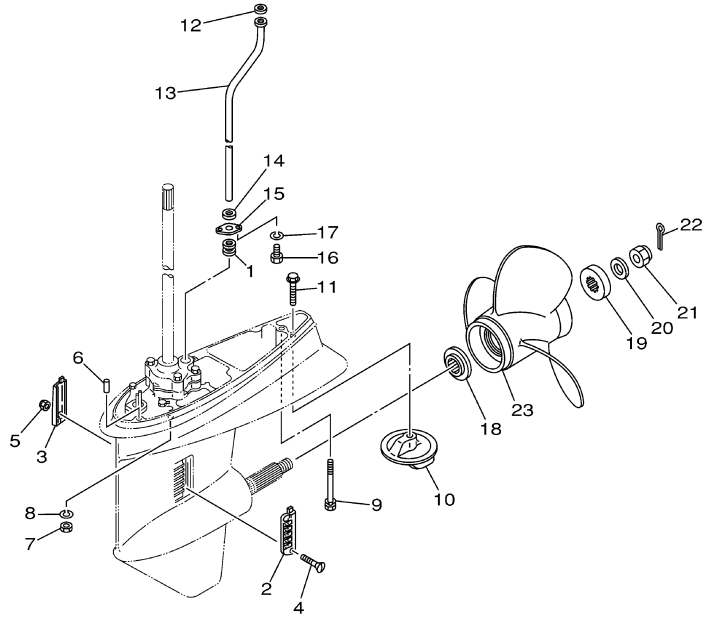
Part Notes

E48MLHY 2000 / LOWER CASING DRIVE 1

PART NUMBER		NOTE TEXT
90430-08020-00		OEM: This part number is among the Top 100 Most Popular Marine Maintenance Parts as of March 2014.
93106-09014-00		OEM: This part number is among the Top 100 Most Popular Marine Maintenance Parts as of March 2014.

©2014 Yamaha Motor Corporation, U.S.A. All rights reserved.

E48MLHY 2000 / LOWER CASING DRIVE 2



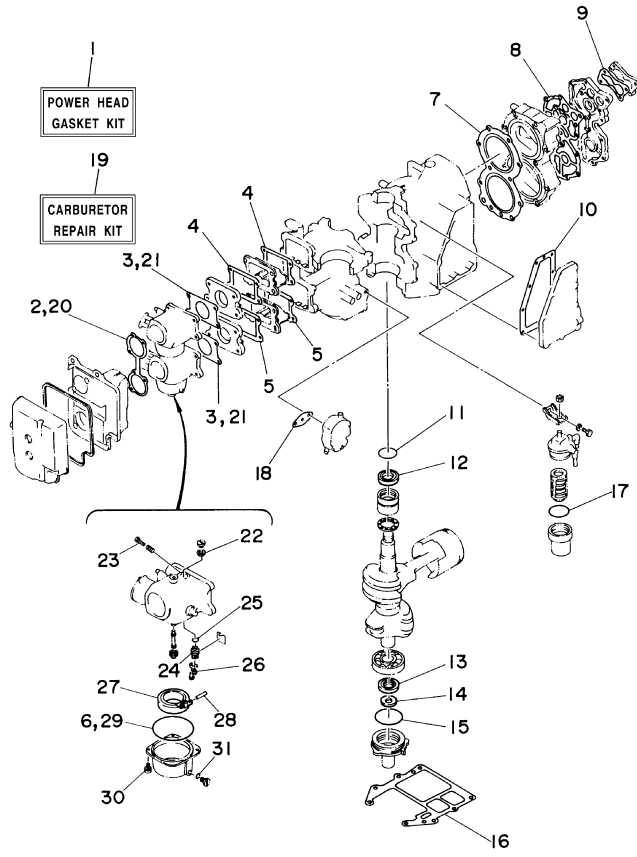
6960100-0160

Part List

E48MLHY 2000 / LOWER CASING DRIVE 2

REF - NO	PART NUMBER	PART NAME	QUANTITY	REMARKS
1	663-44367-00-00	DAMPER, WATER SEAL 3	1	
2	688-45214-02-00	COVER, WATER INLET 1	1	
3	688-45215-02-00	COVER, WATER INLET 2	1	
4	90152-05M05-00	SCREW, COUNTERSUNK	1	
5	90185-05002-00	NUT, NYLON	1	
6	93606-12019-00	.PIN, DOWEL	2	
7	95380-10600-00	NUT	4	
8	92990-10100-00	WASHER, SPRING	4	
9	90119-08M85-00	BOLT, WITH WASHER	1	
10	679-45371-00-00	TAB-TRIM	1	
11	90105-10M67-00	BOLT, FLANGE	1	
12	90202-12060-00	WASHER, PLATE	1	
13	670-44361-10-00	TUBE, WATER	1	
14	90430-12072-00	GASKET	1	
15	663-44373-00-00	SET PLATE, WATER TUBE	1	
16	97095-06012-00	BOLT	2	
17	92995-06100-00	WASHER, SPRING	2	
18	663-45987-02-00	SPACER 1	1	
19	670-45997-02-00	SPACER	1	
20	92990-16200-00	WASHER, PLAIN	1	
21	90171-16011-00	NUT, CASTLE	1	
22	91490-40025-00	PIN. COTTER	1	
23	663-45976-00-98	PROPELLER (3X10-1/4"X15"-G)	1	UR
23	663-45978-00-98	PROPELLER (3X10-1/4"X16"-G)	1	UR
23	663-45930-00-98	PROPELLER (3X10-1/4"X14"-G)	1	UR
23	663-45943-02-EL	PROPELLER (3X11"X15"-G)	1	UR
23	663-45945-02-EL	PROPELLER (3X11-1/8"X13"-G)	1	UR
23	663-45958-01-EL	PROPELLER (3X11-1/4"X14"-G)	1	UR
23	663-45952-02-EL	PROPELLER (3X11-3/8"X12"-G)	1	UR
23	697-45970-00-98	PROPELLER (3X11-1/4"X14"-G)	1	UR
23	663-45954-01-EL	PROPELLER (3X11-3/4"X10"-G)	1	UR
23	663-45941-01-EL	PROPELLER (3X10-3/4"X17"-G)	1	UR
23	663-45974-60-98	PROPELLER (3X11-1/2"X13"-G)	1	UR
23	663-45972-60-98	PROPELLER (3X12"X11"-G)	1	UR
23	663-45970-60-98	PROPELLER (3X11-3/4"X12"-G)	1	UR
23	663-45947-02-EL	PROPELLER (3X11-5/8"X11"-G)	1	UR
23	663-45949-01-EL	PROPELLER (3X10-3/4"X16"-G)	1	UR
23	663-45956-01-EL	PROPELLER (3X12-1/4"X9"-G)	1	UR

E48MLHY 2000 / REPAIR KIT 1




6970700-4220


Part List

E48MLHY 2000 / REPAIR KIT 1

REF - NO	PART NUMBER	PART NAME	QUANTITY	REMARKS
1	697-W0001-02-00	POWER HEAD GASKET KIT	1	
2	663-14483-A0-00	.GASKET	1	
3	663-14198-A0-00	.GASKET	2	
4	663-13621-A0-00	.GASKET, VALVE SEAT	2	
5	663-13622-A0-00	.GASKET, VALVE SEAT	2	
6	93210-64272-00	.O-RING	2	
7	697-11181-A1-00	.GASKET, CYLINDER HEAD 1	1	
8	663-11193-A0-00	.GASKET, HEAD COVER 1	1	
9	663-12414-A0-00	.GASKET, COVER	1	
10	663-41114-A0-00	.GASKET, EXHAUST OUTER COVER	1	
11	93210-42159-00	.O-RING	1	
12	93102-32M07-00	.OIL SEAL	1	
13	93102-28135-00	.OIL SEAL	1	
14	93104-18049-00	.OIL SEAL	1	
15	93210-62269-00	.O-RING	1	
16	696-45113-A0-00	.GASKET, UPPER CASING	1	
17	93210-32738-00	.O-RING	1	
18	650-24431-A0-00	.GASKET, FUEL PUMP 1	1	
19	696-W0093-02-00	CARBURETOR REPAIR KIT	1	
20	663-14483-A0-00	.GASKET	1	
21	663-14198-A0-00	.GASKET	2	
22	679-14557-00-00	.WASHER	2	
23	663-14923-00-00	.SCREW, PILOT	2	
24	696-14590-00-00	.NEEDLE VALVE ASSY	2	
25	93210-07229-00	.O-RING	2	
26	810-14186-00-00	.PIN, FLOAT	2	
27	6F0-14985-00-00	.FLOAT	2	
28	663-14548-00-00	.PIN, FLOAT ARM	2	
29	93210-64272-00	.O-RING	2	
30	97980-04112-00	.SCREW, WITH WASHER	2	
31	93210-04230-00	.O-RING	2	

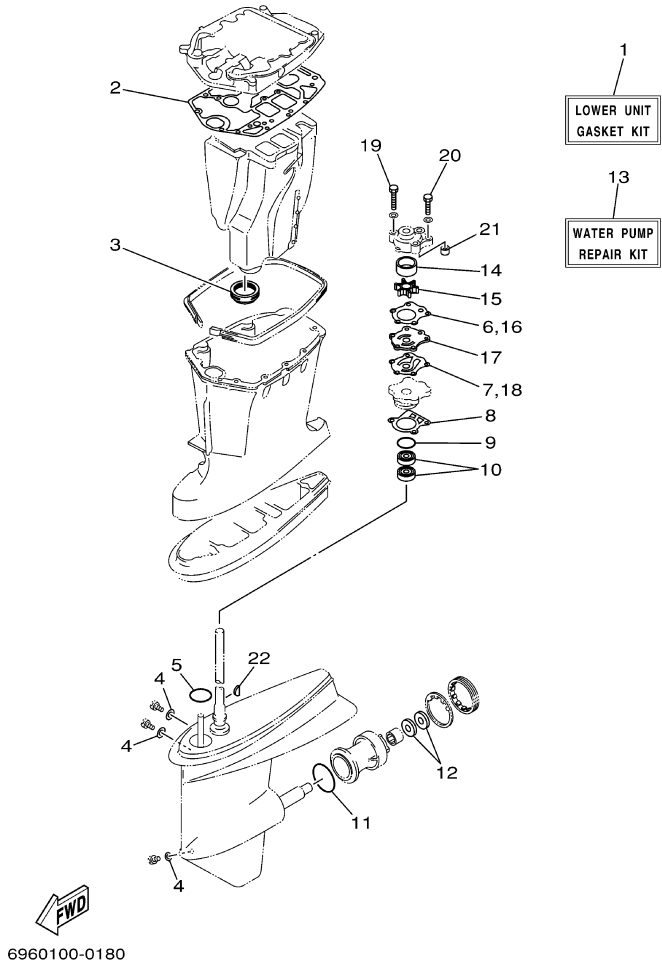
Part Notes

E48MLHY 2000 / REPAIR KIT 1

PART NUMBER	NOTE TEXT
650-24431-A0-00 	OEM: This part number is among the Top 100 Most Popular Marine Maintenance Parts as of March 2014.

©2014 Yamaha Motor Corporation, U.S.A. All rights reserved.

E48MLHY 2000 / REPAIR KIT 2



©2014 Yamaha Motor Corporation, U.S.A. All rights reserved.


Part List

E48MLHY 2000 / REPAIR KIT 2

REF - NO	PART NUMBER	PART NAME	QUANTITY	REMARKS
1	698-W0001-21-00	LOWER UNIT GASKET KIT	1	
2	697-45114-A0-00	.GASKET, UPPER CASING	1	
3	663-45123-00-00	.GASKET, MUFFLER	1	
4	90430-08020-00	.GASKET	3	
5	93210-49046-00	.O-RING	1	
6	663-44315-A0-00	.GASKET, WATER PUMP	1	
7	663-44324-A0-00	.GASKET, CARTRIDGE	1	
8	663-44316-A0-00	.GASKET, WATER PUMP	1	
9	93210-41042-00	.O-RING	1	
10	93101-23070-00	.OIL SEAL	2	
11	93210-66M98-00	.O-RING	1	
12	93101-22067-00	.OIL SEAL	2	
13	696-W0078-00-00	WATER PUMP REPAIR KIT	1	
14	663-44322-40-00	.INSERT, CARTRIDGE	1	
15	697-44352-00-00	.IMPELLER	1	
16	663-44315-A0-00	.GASKET, WATER PUMP	1	
17	670-44323-00-00	.OUTER PLATE, CARTRIDGE	1	
18	663-44324-A0-00	.GASKET, CARTRIDGE	1	
19	97095-08055-00	.BOLT	2	
20	97095-08045-00	.BOLT	2	
21	663-44366-00-00	.DAMPER, WATER SEAL 2	1	
22	90280-03M03-00	.KEY, WOODRUFF	1	

Part Notes

E48MLHY 2000 / REPAIR KIT 2

PART NUMBER	NOTE TEXT
90430-08020-00 	OEM: This part number is among the Top 100 Most Popular Marine Maintenance Parts as of March 2014.

©2014 Yamaha Motor Corporation, U.S.A. All rights reserved.

©2014 Yamaha Motor Corporation, U.S.A. All rights reserved.