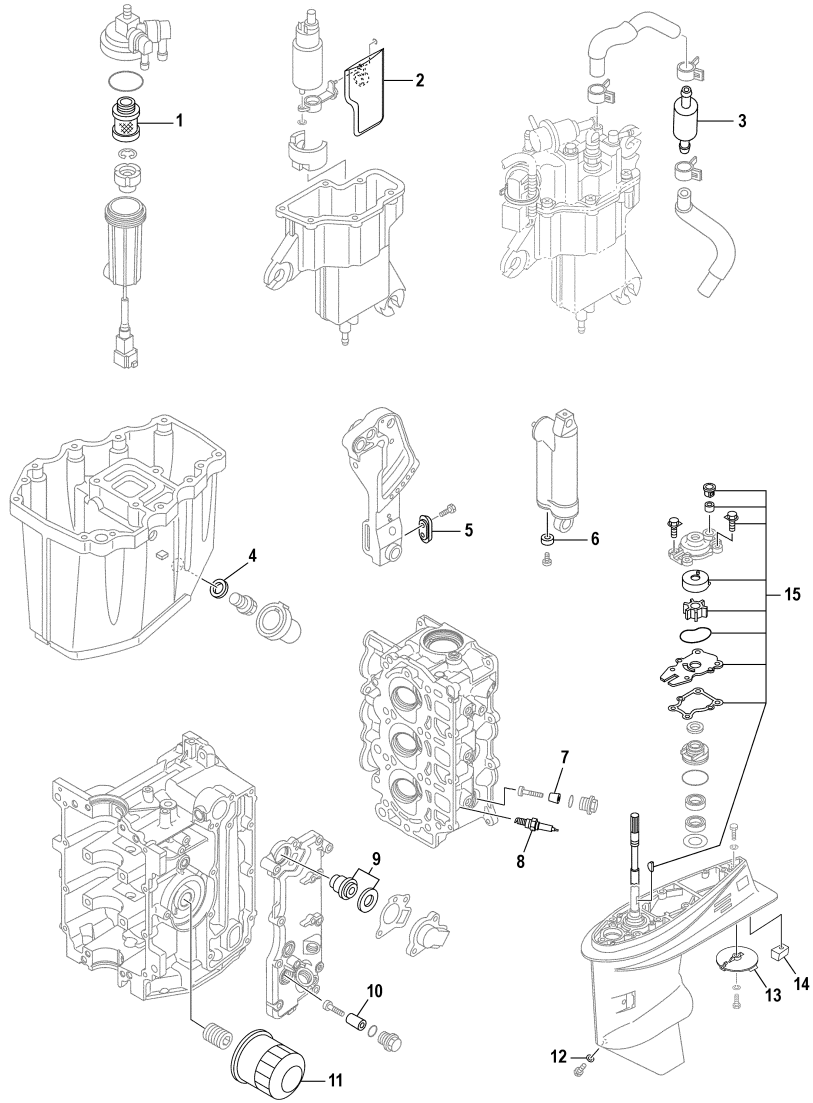


F40JEHA 1008 / SCHEDULED SERVICE PARTS



©2014 Yamaha Motor Corporation, U.S.A. All rights reserved.




Part List

F40JEHA 1008 / SCHEDULED SERVICE PARTS

REF - NO	PART NUMBER	PART NAME	QUANTITY	REMARKS
1	6D8-24563-00-00	.ELEMENT, FILTER	1	FUEL 1 (REF #10)
2	6BG-13915-00-00	.FILTER	1	FUEL INJECTION PUMP 1 (REF # 19)
3	6C5-24251-00-00	STRAINER 1	1	FUEL INJECTION PUMP 2 (REF # 23)
4	90430-14M09-00	.GASKET	1	OIL PAN (REF # 7)
5	65W-45251-00-00	ANODE	1	BRACKET 2 (REF # 34)
6	663-45251-00-00	ANODE	1	BRACKET 2 (REF # 19)
7	6G8-11325-00-00	ANODE	3	CYLINDER CRANKCASE 2 (REF # 4)
8	NGK-DPR6E-B9-00	PLUG, SPARK (NGK DPR6EB)	3	CYLINDER CRANKCASE 2 (REF # 27)
9	6G8-12411-03-00	THERMOSTAT	1	CYLINDER CRANKCASE 1 (REF # 12)
10	6G8-11325-00-00	ANODE	1	CYLINDER CRANKCASE 1 (REF # 18)
11	5GH-13440-20-00	ELEMENT ASSY, OIL CLEANER	1	CYLINDER CRANKCASE 1 (REF # 26)

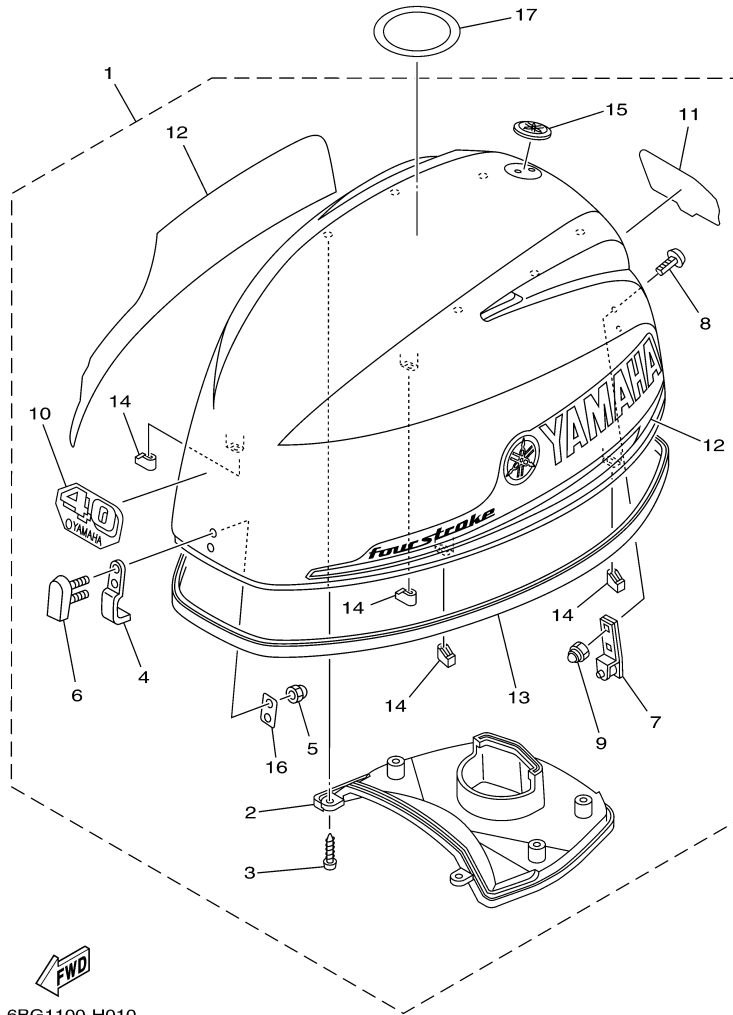
Part Notes

F40JEHA 1008 / SCHEDULED SERVICE PARTS

PART NUMBER		NOTE TEXT
6C5-24251-00-00		OEM: This part number is among the Top 100 Most Popular Marine Maintenance Parts as of March 2014.
90430-14M09-00		OEM: This part number is among the Top 100 Most Popular Marine Maintenance Parts as of March 2014.
65W-45251-00-00		OEM: This part number is among the Top 100 Most Popular Marine Maintenance Parts as of March 2014.

©2014 Yamaha Motor Corporation, U.S.A. All rights reserved.

F40JEHA 1008 / TOP COWLING



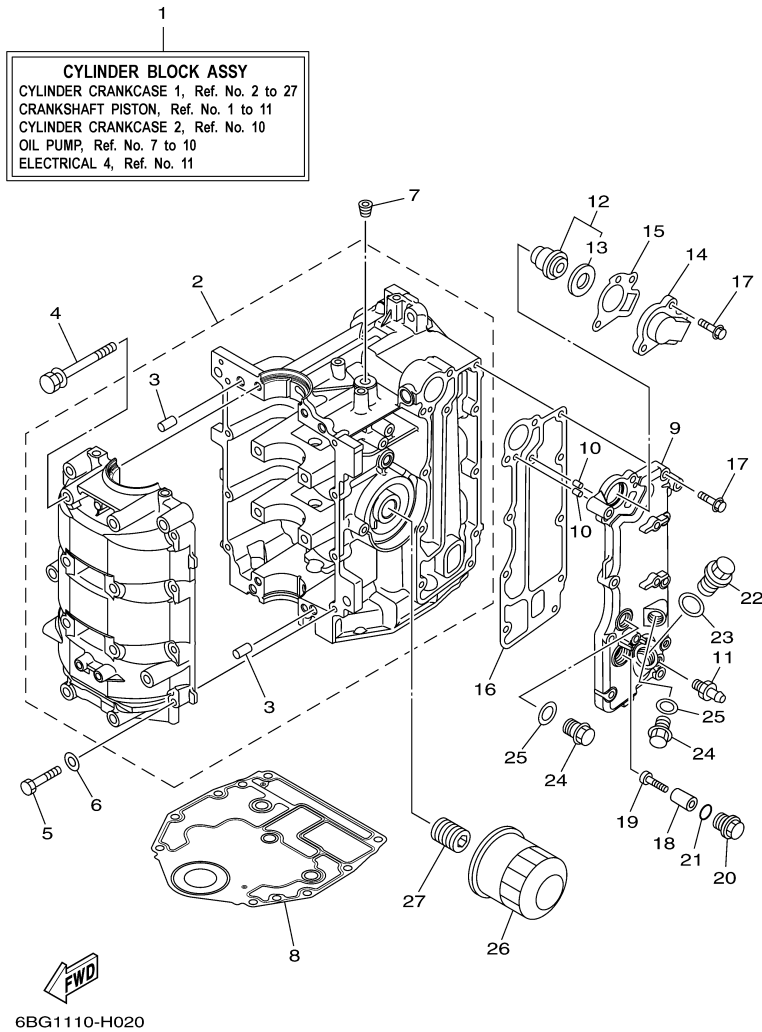
©2014 Yamaha Motor Corporation, U.S.A. All rights reserved.

Part List

F40JEHA 1008 / TOP COWLING

REF - NO	PART NUMBER	PART NAME	QUANTITY	REMARKS
1	6BG-42610-10-8D	TOP COWLING ASSY	1	UR: JET DRIVE
2	6BG-42613-00-00	.MOLDING, AIR DUCT	1	
3	97780-50616-00	.SCREW, TAPPING	6	
4	6BG-42651-00-00	.HOOK	1	
5	95380-05800-00	.NUT	2	
6	6BG-42851-00-00	.COVER, CLAMP	1	
7	6BG-42652-00-00	.HOOK	1	
8	90109-06047-00	.BOLT	2	
9	90185-06M05-00	.NUT, SELF-LOCKING	2	
10	6BG-42677-10-00	..GRAPHIC, FRONT	1	UR: JET DRIVE
11	6BG-42678-10-00	..GRAPHIC, REAR	1	UR: JET DRIVE
12	6BG-W0070-00-00	.GRAPHIC SET	1	
13	6BG-42615-00-00	.SEAL	1	
14	6BG-42662-00-00	.DAMPER	4	
15	6AH-42697-01-00	.TUNING FORK MARK	1	
16	6BG-42649-00-00	.HOLDER, CLAMP BAND	1	
17	67F-13434-10-00	LABEL, CAUTION	1	

F40JEHA 1008 / CYLINDER CRANKCASE 1



©2014 Yamaha Motor Corporation, U.S.A. All rights reserved.


Part List

F40JEHA 1008 / CYLINDER CRANKCASE 1

REF - NO	PART NUMBER	PART NAME	QUANTITY	REMARKS
1	6BG-W009B-00-9S	CYLINDER BLOCK ASSY	1	
2	6BG-15100-00-9S	CRANKCASE ASSY	1	
3	93606-12019-00	.PIN, DOWEL	4	
4	90119-08M01-00	BOLT, WITH WASHER	8	
5	97013-06035-00	BOLT	8	
6	92903-06600-00	WASHER, PLATE	8	
7	90344-51003-00	PLUG, TAPER SCREW	1	
8	6BG-11351-00-00	.GASKET, CYLINDER	1	
9	6BG-41113-00-9S	OUTER COVER, EXHAUST	1	
10	93604-10M03-00	PIN, DOWEL	2	
11	62Y-12481-10-00	PIPE 1	1	
12	6G8-12411-03-00	THERMOSTAT	1	
13	688-12412-00-00	.SEAL, THERMOSTAT	1	
14	6C5-12413-00-9S	COVER, THERMOSTAT	1	
15	62Y-12414-00-00	.GASKET, COVER	1	
16	6BG-41114-00-00	.GASKET, EXHAUST OUTER COVER	1	
17	90119-06MA5-00	BOLT, WITH WASHER	10	
18	6G8-11325-00-00	ANODE	1	
19	97880-05025-00	SCREW, PAN HEAD	1	
20	6G8-11197-01-00	PLUG, BLIND	1	
21	93210-13M63-00	.O-RING	1	
22	90340-18M09-00	PLUG, STRAIGHT SCREW	1	
23	90430-18130-00	.GASKET	1	
24	90340-14M06-00	PLUG, STRAIGHT SCREW	2	
25	90430-14115-00	.GASKET	2	
26	5GH-13440-20-00	ELEMENT ASSY, OIL CLEANER	1	
27	6C5-12858-00-00	BOLT, UNION	1	

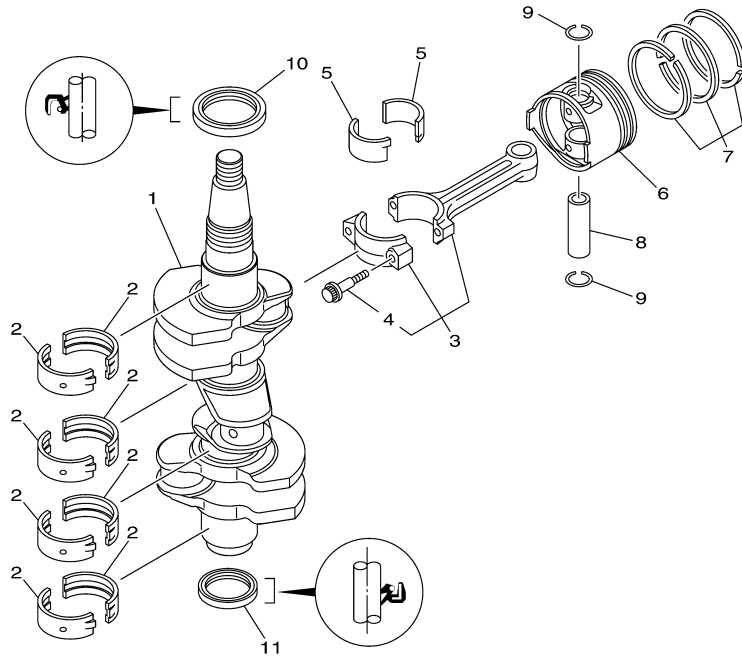
Part Notes

F40JEHA 1008 / CYLINDER CRANKCASE 1

PART NUMBER	NOTE TEXT
62Y-12414-00-00 	OEM: This part number is among the Top 100 Most Popular Marine Maintenance Parts as of March 2014.

©2014 Yamaha Motor Corporation, U.S.A. All rights reserved.

F40JEHA 1008 / CRANKSHAFT PISTON



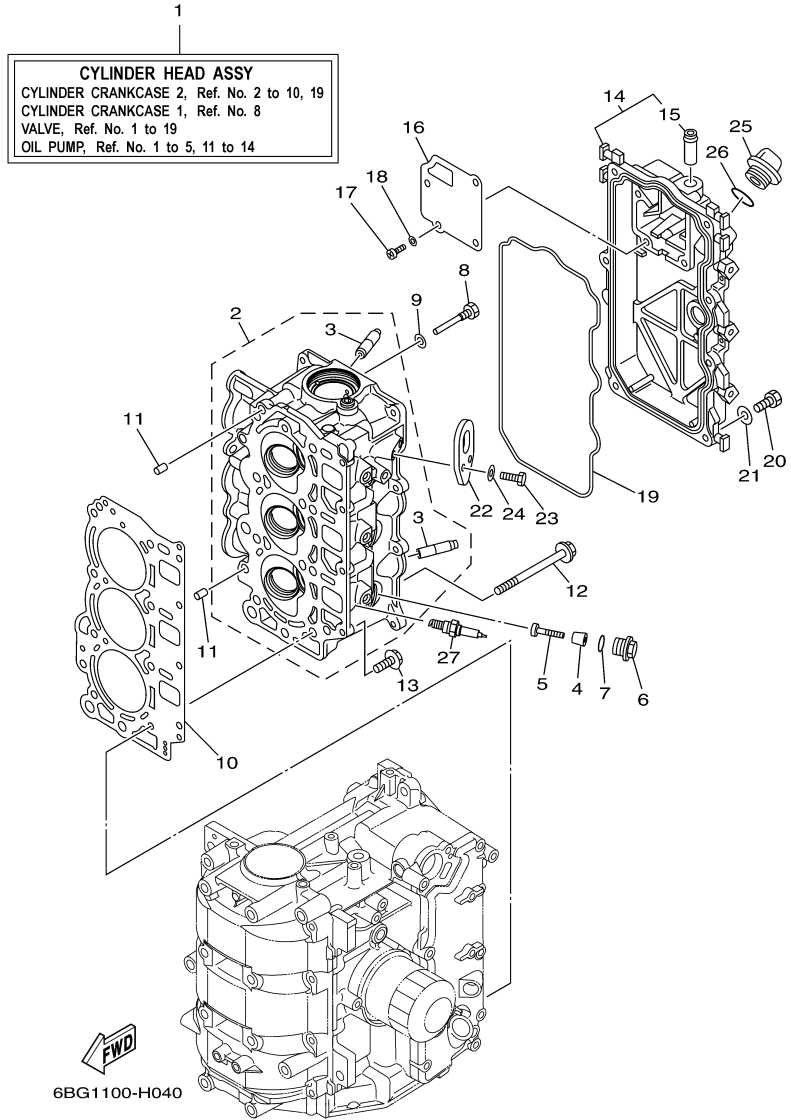
6BG1100-H030

Part List

F40JEHA 1008 / CRANKSHAFT PISTON

REF - NO	PART NUMBER	PART NAME	QUANTITY	REMARKS
1	6BG-11411-00-00	CRANKSHAFT	1	
2	6BG-11416-00-00	PLANE BEARING, CRANKSHAFT 1	8	UR YELLOW
2	6BG-11416-30-00	PLANE BEARING, CRANKSHAFT 1	8	UR GREEN
2	6BG-11416-20-00	PLANE BEARING, CRANKSHAFT 1	8	UR PINK
2	6BG-11416-10-00	PLANE BEARING, CRANKSHAFT 1	8	UR RED
3	6C5-11650-00-00	CONNECTING ROD ASSY	3	
4	6C5-11654-00-00	.BOLT, CONNECTING ROD	2	
5	6C5-11656-00-00	PLANE BEARING, CONNECTING ROD	6	UR YELLOW
5	6C5-11656-30-00	PLANE BEARING, CONNECTING ROD	6	UR GREEN
5	6C5-11656-20-00	PLANE BEARING, CONNECTING ROD	6	UR PINK
5	6C5-11656-10-00	PLANE BEARING, CONNECTING ROD	6	UR RED
6	69W-11631-01-97	PISTON (STD)	3	
6	69W-11636-01-00	PISTON (0.50MM O/S)	3	AP
6	69W-11635-01-00	PISTON (0.25MM O/S)	3	AP
7	67C-11603-00-00	PISTON RING SET (STD)	3	
7	67C-11604-00-00	PISTON RING SET (0.25MM O/S)	3	AP
7	67C-11605-00-00	PISTON RING SET (0.50MM O/S)	3	AP
8	62Y-11633-00-00	PIN, PISTON	3	
9	93450-17129-00	CIRCLIP	6	
10	93102-43M42-00	.OIL SEAL	1	
11	93101-35002-00	.OIL SEAL	1	

F40JEHA 1008 / CYLINDER CRANKCASE 2



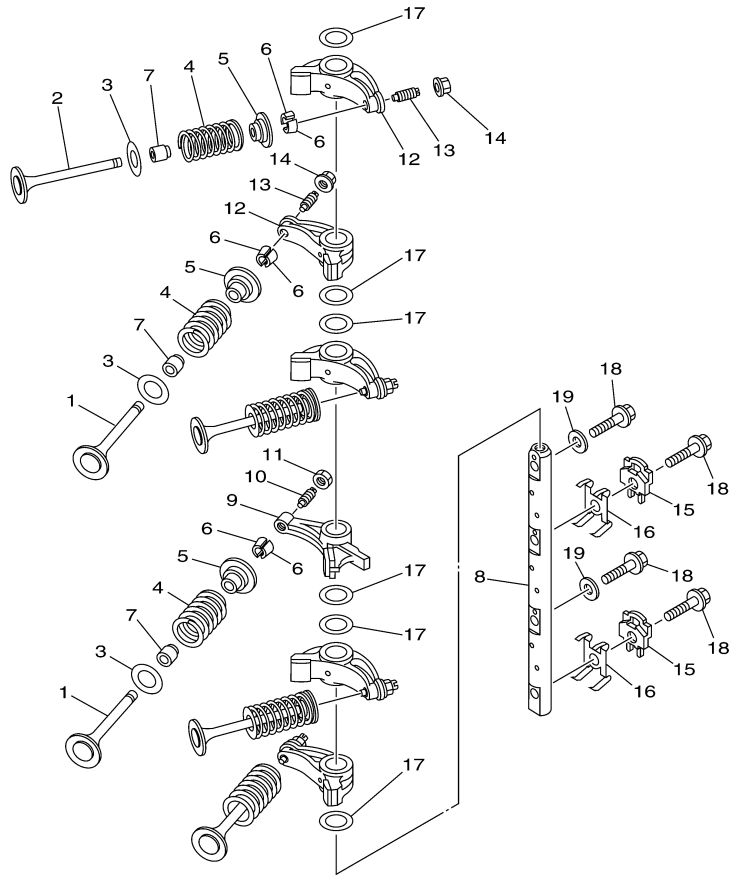
©2014 Yamaha Motor Corporation, U.S.A. All rights reserved.

Part List

F40JEHA 1008 / CYLINDER CRANKCASE 2

REF - NO	PART NUMBER	PART NAME	QUANTITY	REMARKS
1	6BG-W009A-00-9S	CYLINDER HEAD COMPLETE	1	
2	6BG-11111-00-9S	HEAD, CYLINDER 1	1	
3	62Y-11133-30-00	.GUIDE, VALVE 1	6	
4	6G8-11325-00-00	ANODE	3	
5	97880-05025-00	SCREW, PAN HEAD	3	
6	6G8-11197-01-00	PLUG, BLIND	3	
7	93210-13M63-00	.O-RING	3	
8	90109-06M65-00	BOLT	1	
9	90430-06014-00	.GASKET	1	
10	6BG-11181-00-00	.GASKET, CYLINDER HEAD 1	1	
11	99530-08012-00	PIN, DOWEL	2	
12	90105-09005-00	BOLT, FLANGE	8	
13	90119-06MA3-00	BOLT, WITH WASHER	4	
14	6BG-11191-00-9S	COVER, CYLINDER HEAD 1	1	
15	62Y-14485-00-00	.PIPE, JOINT	1	
16	6BG-11168-00-00	COVER, BREATHER	1	
17	98507-04010-00	SCREW, PAN HEAD	4	
18	92907-04600-00	WASHER	4	
19	6BG-11356-00-00	.SEAL, CYLINDER 2	1	
20	97095-06020-00	BOLT	7	
21	92995-06600-00	WASHER	7	
22	6BG-11119-00-00	HANGER, ENGINE	1	
23	97095-06020-00	BOLT	2	
24	92995-06600-00	WASHER	2	
25	6G8-15363-00-00	PLUG, OIL	1	
26	93210-24M79-00	.O-RING	1	
27	NGK-DPR6E-B9-00	PLUG, SPARK (NGK DPR6EB)	3	

F40JEHA 1008 / VALVE



6BG1100-H050

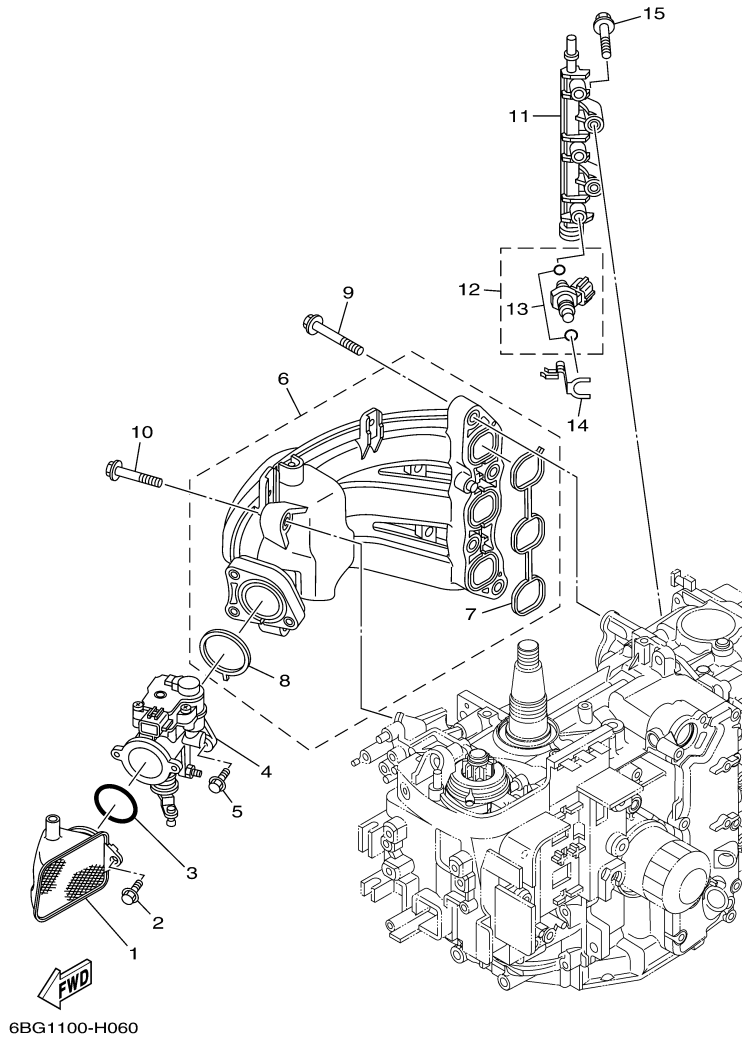
©2014 Yamaha Motor Corporation, U.S.A. All rights reserved.

Part List

F40JEHA 1008 / VALVE

REF - NO	PART NUMBER	PART NAME	QUANTITY	REMARKS
1	69W-12111-00-00	VALVE, INTAKE	3	
2	69W-12121-00-00	VALVE, EXHAUST	3	
3	62Y-12116-00-00	SEAT, VALVE SPRING	6	
4	51Y-12114-00-00	SPRING, VALVE OUTER	6	
5	30X-12117-00-00	RETAINER, VALVE SPRING	6	
6	30X-12118-00-00	LOCK, VALVE SPRING RETAINER	12	
7	51Y-12119-00-00	SEAL, VALVE STEM	6	
8	6BG-12146-00-00	SHAFT, ROCKER	1	
9	62Y-12151-00-00	ARM, VALVE ROCKER	1	
10	64J-12159-00-00	SCREW, VALVE ADJUSTING	1	
11	62Y-12158-00-00	NUT, LOCK	1	
12	6C5-12151-00-00	ARM, VALVE ROCKER	5	
13	6C5-12159-00-00	SCREW, VALVE ADJUSTING	5	
14	6C5-12158-00-00	NUT, LOCK	5	
15	6C5-12231-00-00	GUIDE, STOPPER 1	2	
16	6C5-12233-00-00	PLATE, GUIDE STOPPER 1	2	
17	90201-16014-00	WASHER, PLATE	6	
18	90105-08060-00	BOLT, FLANGE	4	
19	92990-08200-00	WASHER, PLAIN	2	

F40JEHA 1008 / INTAKE 1



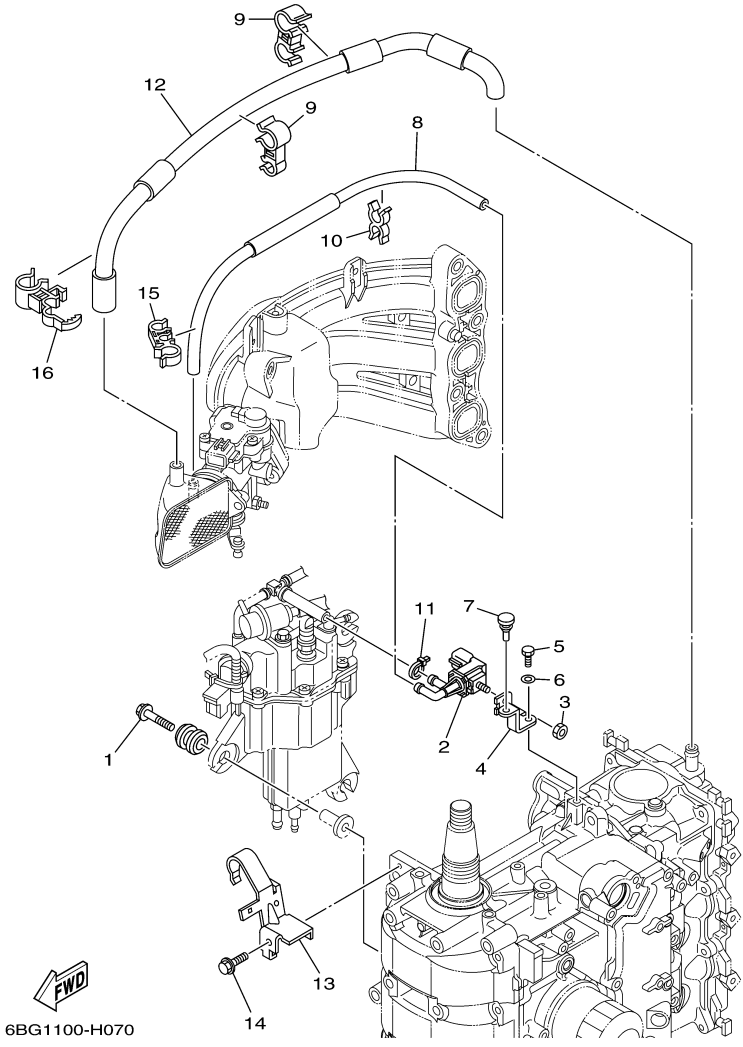
©2014 Yamaha Motor Corporation, U.S.A. All rights reserved.

Part List

F40JEHA 1008 / INTAKE 1

REF - NO	PART NUMBER	PART NAME	QUANTITY	REMARKS
1	6BG-14440-00-00	SILENCER ASSY, INTAKE	1	
2	95895-06016-00	BOLT, FLANGE	2	
3	93210-42159-00	.O-RING	1	
4	6BG-13750-00-00	THROTTLE BODY ASSY	1	
5	95895-06016-00	BOLT, FLANGE	3	
6	6BG-13641-00-00	MANIFOLD, INTAKE 1	1	
7	6BG-13645-00-00	.GASKET, MANIFOLD 1	1	
8	6BG-13557-00-00	.GASKET	1	
9	90119-08069-00	BOLT, WITH WASHER	4	
10	90119-06126-00	BOLT, WITH WASHER	2	
11	6BG-13161-00-00	PIPE, DELIVERY 1	1	
12	6BG-13761-00-00	INJECTOR	3	
13	6C5-1410B-00-00	.PACKING KIT	1	
14	6BG-13577-00-00	CLIP	3	
15	95895-06040-00	BOLT, FLANGE	2	

F40JEHA 1008 / INTAKE 2



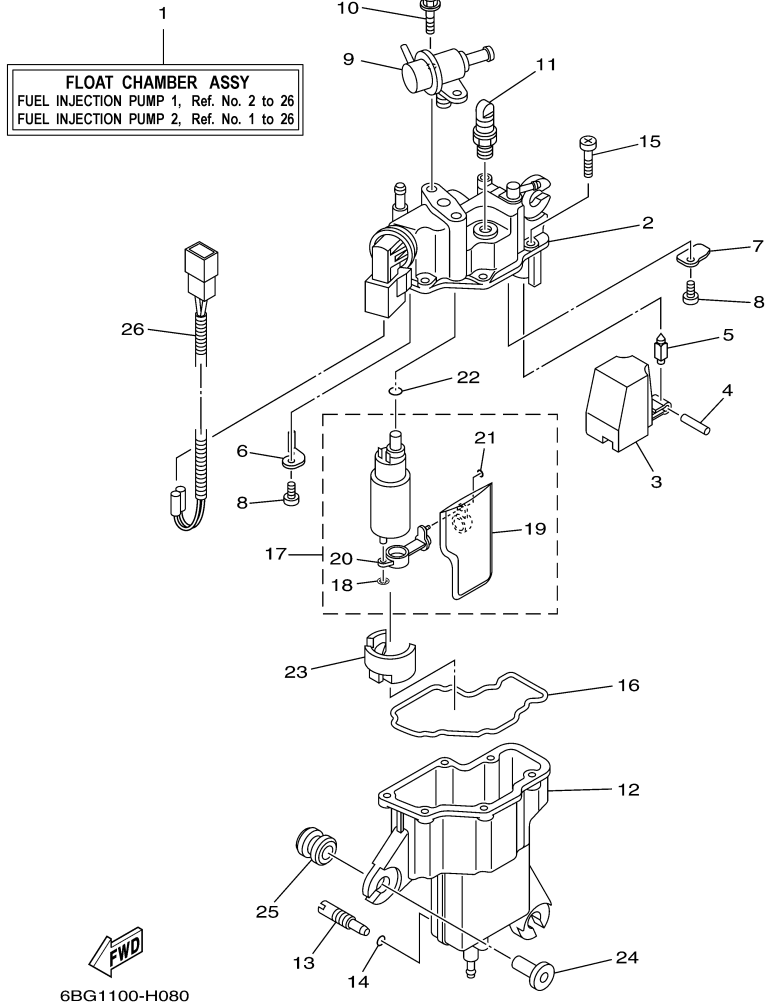
©2014 Yamaha Motor Corporation, U.S.A. All rights reserved.

Part List

F40JEHA 1008 / INTAKE 2

REF - NO	PART NUMBER	PART NAME	QUANTITY	REMARKS
1	90119-06M61-00	BOLT, WITH WASHER	3	
2	6C5-86120-00-00	SOLENOID VALVE ASSY	1	
3	95380-06600-00	NUT, HEXAGON	1	
4	6BG-86112-00-00	STAY, SOLENOID	1	
5	97095-06016-00	BOLT	1	
6	92995-06600-00	WASHER	1	
7	90480-06M19-00	GROMMET	1	
8	6BG-12576-00-00	HOSE 1	1	
9	90464-15007-00	CLAMP	2	
10	90464-11M24-00	CLAMP	1	
11	90465-11M10-00	CLAMP	1	
12	6BG-1531A-00-00	HOSE, BREATHER 1	1	
13	6BG-15378-00-00	HOLDER	1	
14	90119-06037-00	BOLT, WITH WASHER	1	
15	90464-15008-00	CLAMP	1	
16	90464-15011-00	CLAMP	1	

F40JEHA 1008 / FUEL INJECTION PUMP 1



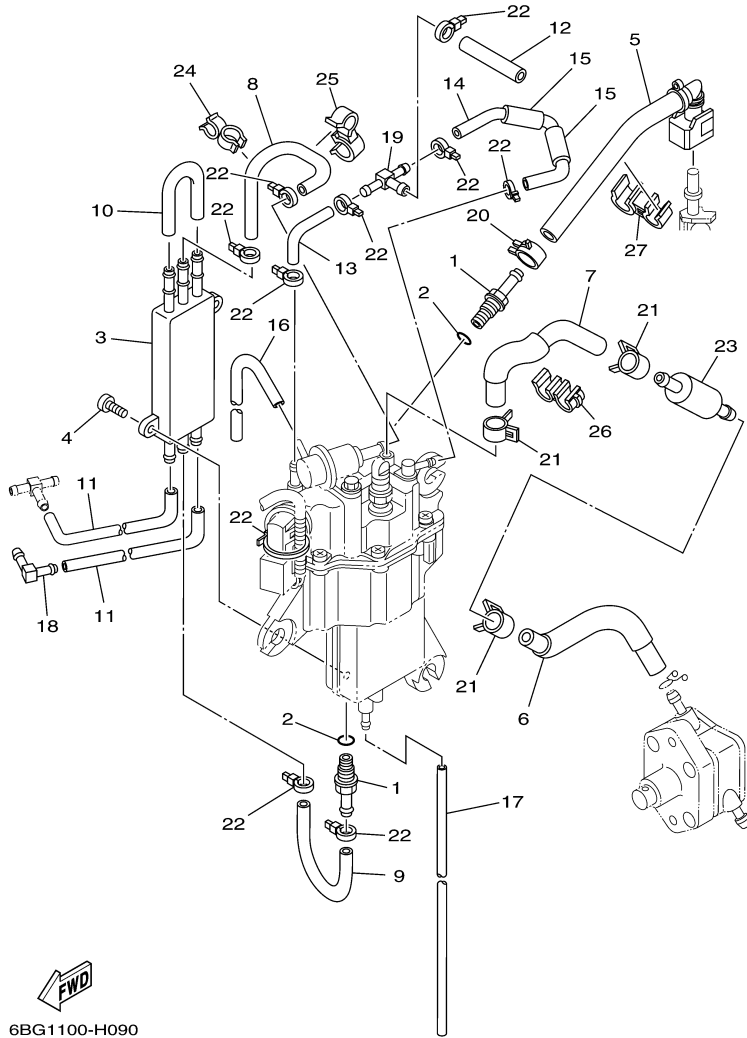
©2014 Yamaha Motor Corporation, U.S.A. All rights reserved.

Part List

F40JEHA 1008 / FUEL INJECTION PUMP 1

REF - NO	PART NUMBER	PART NAME	QUANTITY	REMARKS
1	6BG-14180-00-00	FLOAT CHAMBER ASSY	1	
2	6BG-14182-00-00	COVER, FLOAT CHAMBER	1	
3	6BG-14985-00-00	FLOAT	1	
4	6C5-14386-00-00	PIN, FLOAT	1	
5	6C5-14546-00-00	VALVE, NEEDLE	1	
6	6BG-2441R-00-00	PLATE, BAFFLE 1	1	
7	6BG-2441T-00-00	PLATE, BAFFLE 2	1	
8	6C5-24453-00-00	SCREW	2	
9	6C5-13906-01-00	REGULATOR, PRESSURE	1	
10	6C5-24592-00-00	BOLT	2	
11	6C5-14225-00-00	CAP	1	
12	6BG-14960-00-00	BODY ASSY	1	
13	6C5-14191-00-00	PLUG, DRAIN	1	
14	6C5-14397-00-00	O-RING	1	
15	6C5-14567-00-00	SCREW	6	
16	6BG-14984-00-00	GASKET, FLOAT CHAMBER	1	
17	6BG-13910-00-00	FUEL PUMP ASSY	1	
18	6C5-14127-00-00	.CLIP	1	
19	6BG-13915-00-00	.FILTER	1	
20	6BG-13938-00-00	.PIPE	1	
21	6BG-14137-00-00	.CLIP	1	
22	6BG-14561-00-00	O-RING	1	
23	6BG-13593-00-00	DAMPER	1	
24	90387-06M69-00	COLLAR	3	
25	90480-09M12-00	GROMMET	3	
26	6BG-82553-00-00	EXTENSION, WIRE LEAD	1	

F40JEHA 1008 / FUEL INJECTION PUMP 2



©2014 Yamaha Motor Corporation, U.S.A. All rights reserved.


Part List

F40JEHA 1008 / FUEL INJECTION PUMP 2

REF - NO	PART NUMBER	PART NAME	QUANTITY	REMARKS
1	6C5-14251-00-00	NIPPLE	2	
2	6C5-13739-00-00	O-RING	2	
3	6C5-21841-00-00	COOLER	1	
4	6C5-24444-00-00	SCREW	2	
5	6BG-13974-00-00	PIPE, FUEL 4	1	
6	6BG-2451B-00-00	HOSE, FUEL INLET	1	
7	6BG-14148-00-00	PIPE	1	
8	6BG-24321-00-00	PIPE 10	1	
9	6BG-24322-00-00	PIPE 11	1	
10	6BG-24323-00-00	PIPE 12	1	
11	6BG-24324-00-00	PIPE 13	2	
12	6C5-13547-00-00	HOSE 3	1	
13	6BG-13545-00-00	HOSE 1	1	
14	6BG-13546-00-00	HOSE 2	1	
15	6BG-13548-00-00	HOSE, AIR 4	2	
16	6BG-13542-00-00	HOSE, VACUUM SENSING 1	1	
17	6BG-14149-00-00	PIPE	1	
18	6C5-1410F-00-00	CONNECTOR	1	
19	6C5-24379-00-00	PIPE, JOINT 4	1	
20	6C5-13577-00-00	CLIP	1	
21	6BG-24387-00-00	CLIP	3	
22	90465-11M10-00	CLAMP	10	
23	6C5-24251-00-00	STRAINER 1	1	
24	90464-12006-00	CLAMP	1	
25	90464-12010-00	CLAMP	1	
26	90464-12224-00	CLAMP	1	
27	90464-15007-00	CLAMP	1	

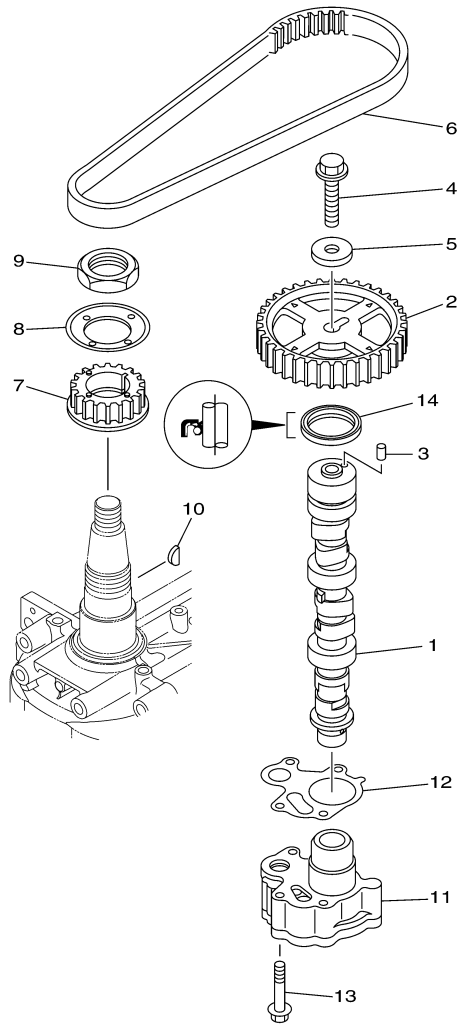
Part Notes

F40JEHA 1008 / FUEL INJECTION PUMP 2

PART NUMBER	NOTE TEXT
6C5-24251-00-00 	OEM: This part number is among the Top 100 Most Popular Marine Maintenance Parts as of March 2014.

©2014 Yamaha Motor Corporation, U.S.A. All rights reserved.

F40JEHA 1008 / OIL PUMP



6BG1100-H100

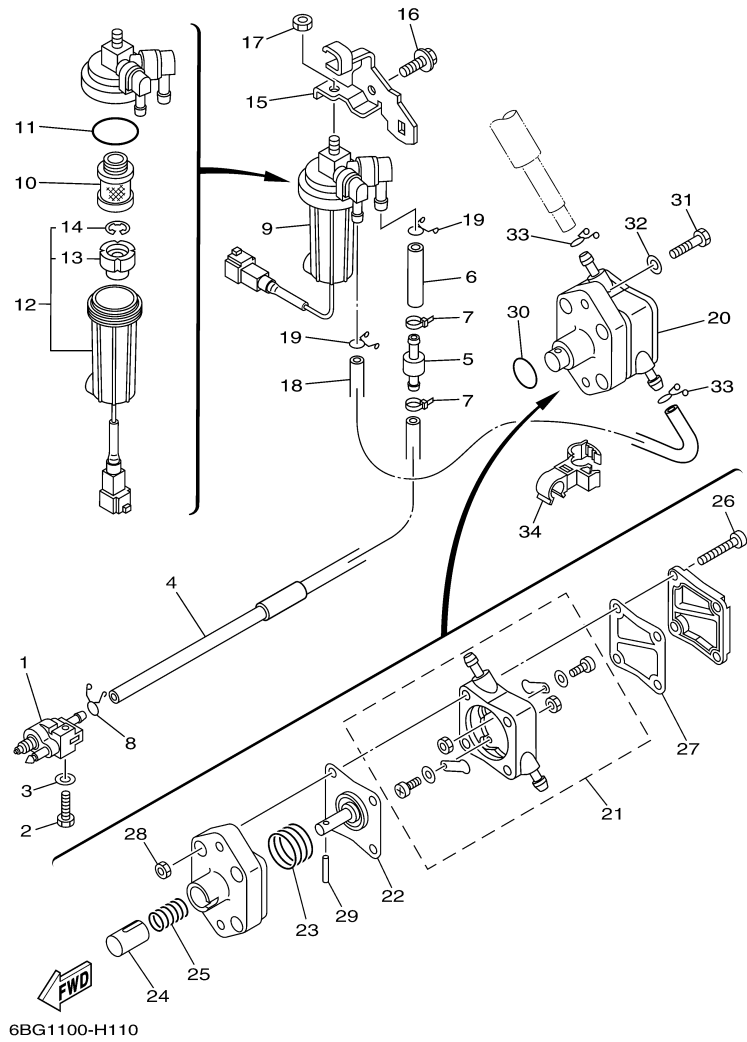
©2014 Yamaha Motor Corporation, U.S.A. All rights reserved.

Part List

F40JEHA 1008 / OIL PUMP

REF - NO	PART NUMBER	PART NAME	QUANTITY	REMARKS
1	6BG-12171-00-00	CAMSHAFT 1	1	
2	6C5-11537-00-00	GEAR, DRIVEN	1	
3	93605-17002-00	PIN, DOWEL	1	
4	95817-10035-00	BOLT, FLANGE	1	
5	90201-10144-00	WASHER, PLATE	1	
6	6C5-46241-00-00	BELT	1	
7	6C5-11536-00-00	GEAR, DRIVE	1	
8	62Y-11557-00-00	WASHER 1	1	
9	90179-35001-00	NUT	1	
10	90280-03M01-00	.KEY, WOODRUFF	1	
11	6BG-13300-00-00	OIL PUMP ASSY	1	
12	6C5-13329-00-00	.GASKET, PUMP COVER	1	
13	90119-06025-00	BOLT, WITH WASHER	4	
14	93102-37M40-00	.OIL SEAL	1	

F40JEHA 1008 / FUEL 1



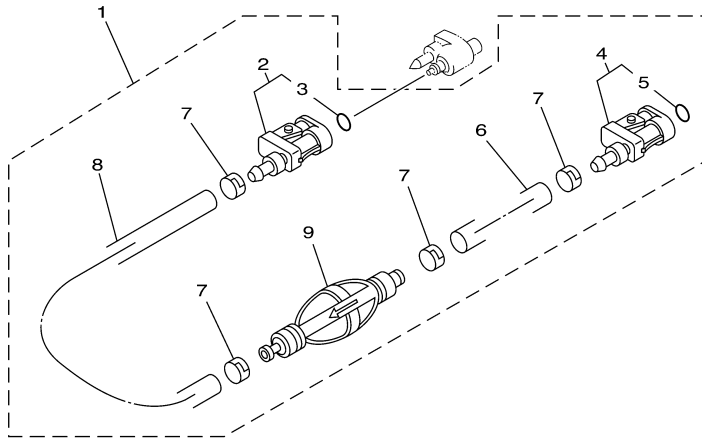
©2014 Yamaha Motor Corporation, U.S.A. All rights reserved.

Part List

F40JEHA 1008 / FUEL 1

REF - NO	PART NUMBER	PART NAME	QUANTITY	REMARKS
1	6G1-24304-02-00	FUEL PIPE JOINT COMP. 1	1	
2	97095-06025-00	BOLT	1	
3	92995-06600-00	WASHER	1	
4	6BG-24313-00-00	PIPE 3	1	
5	67F-24377-00-00	PIPE, JOINT 2	1	
6	90445-13M02-00	HOSE (L40)	1	
7	90465-11M10-00	CLAMP	2	
8	90467-09M17-00	CLIP	1	
9	6D8-24560-00-00	FILTER ASSY	1	
10	6D8-24563-00-00	.ELEMENT, FILTER	1	
11	6D8-24564-00-00	.GASKET	1	
12	6D8-24562-00-00	.CUP, FILTER	1	
13	6D8-24469-00-00	..FLOAT, WATER LEVEL	1	
14	6D8-24519-00-00	..CLIP	1	
15	6BG-24566-00-00	BRACKET, FILTER	1	
16	95895-08016-00	BOLT, FLANGE	1	
17	95380-08600-00	NUT	1	
18	6BG-24311-00-00	PIPE, FUEL 1	1	
19	90467-11M08-00	CLIP	2	
20	6C5-24410-00-00	FUEL PUMP ASSY	1	
21	6C5-24415-00-00	.BODY 4	1	
22	62Y-24411-02-00	.DIAPHRAGM	1	
23	62Y-24423-00-00	.SPRING, DIAPHRAGM	1	
24	62Y-13131-00-00	.PLUNGER	1	
25	62Y-24454-00-00	.SPRING	1	
26	62Y-24444-01-00	.SCREW	4	
27	6C5-24471-00-00	.DIAPHRAGM	1	
28	95380-05600-00	.NUT	4	
29	62Y-24374-01-00	.PIN	1	
30	93210-24M79-00	.O-RING	1	
31	97095-06030-00	BOLT	2	
32	92995-06600-00	WASHER	2	
33	90467-10M04-00	CLIP	2	
34	90464-12012-00	CLAMP	1	

F40JEHA 1008 / FUEL 2



68R3100-C100

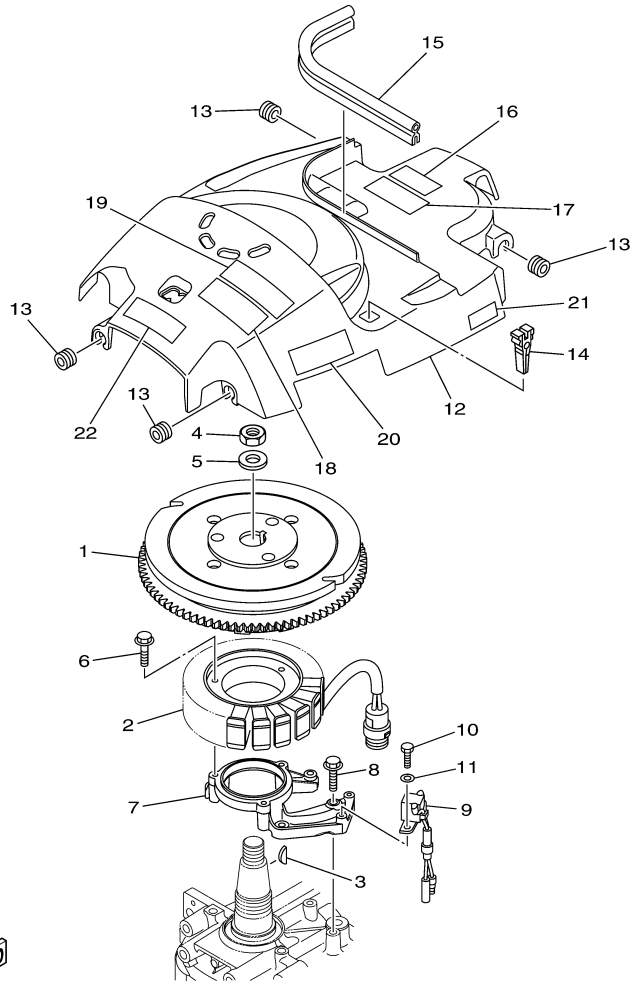
©2014 Yamaha Motor Corporation, U.S.A. All rights reserved.

Part List

F40JEHA 1008 / FUEL 2

REF - NO	PART NUMBER	PART NAME	QUANTITY	REMARKS
1	6Y2-24306-56-00	FUEL PIPE COMP. 1	1	AP
2	6E5-24305-06-00	.FUEL PIPE JOINT COMP 2	1	
3	93210-08287-00	..O-RING	1	
4	6Y2-24305-06-00	.FUEL PIPE JOINT COMP 2	1	
5	93210-08287-00	..O-RING	1	
6	90445-13M01-00	.HOSE (L2050)	1	
7	6E5-24351-51-00	.BAND 1	4	
8	90445-13M00-00	.HOSE (L850)	1	
9	6Y2-24360-60-00	.PRIMER PUMP ASSY	1	

F40JEHA 1008 / GENERATOR



6BG1110-H130

©2014 Yamaha Motor Corporation, U.S.A. All rights reserved.


Part List

F40JEHA 1008 / GENERATOR

REF - NO	PART NUMBER	PART NAME	QUANTITY	REMARKS
1	6BG-81450-00-00	ROTOR ASSY	1	
2	6BG-81410-00-00	STATOR ASSY	1	
3	6H4-11545-00-00	KEY, WOODRUFF	1	
4	90170-20137-00	NUT	1	
5	90201-21M18-00	WASHER, PLATE	1	
6	95023-06030-00	BOLT	3	
7	6BG-85561-00-94	BASE, MAGNETO	1	
8	95023-06030-00	BOLT	4	
9	6AH-85580-00-00	COIL, PULSER	1	
10	97095-05016-00	.BOLT	2	
11	92995-05600-00	WASHER	2	
12	6BG-81337-00-00	COVER, FLYWHEEL	1	
13	90480-12314-00	GROMMET	4	
14	67F-2812A-00-00	.PULLER, FUSE	1	
15	6BG-42617-00-00	DAMPER, FORM	1	
16	62Y-12138-40-00	MARK, CAUTION	1	
17	6BG-13437-40-00	MARK, CAUTION	1	
18	6AH-81995-40-00	LABEL, WARNING	1	
19	6AH-81994-40-00	LABEL, SAFETY	1	
20	6BG-81919-00-00	GRAPHIC, REGULATOR	1	
21	6C5-82377-00-00	LABEL	1	

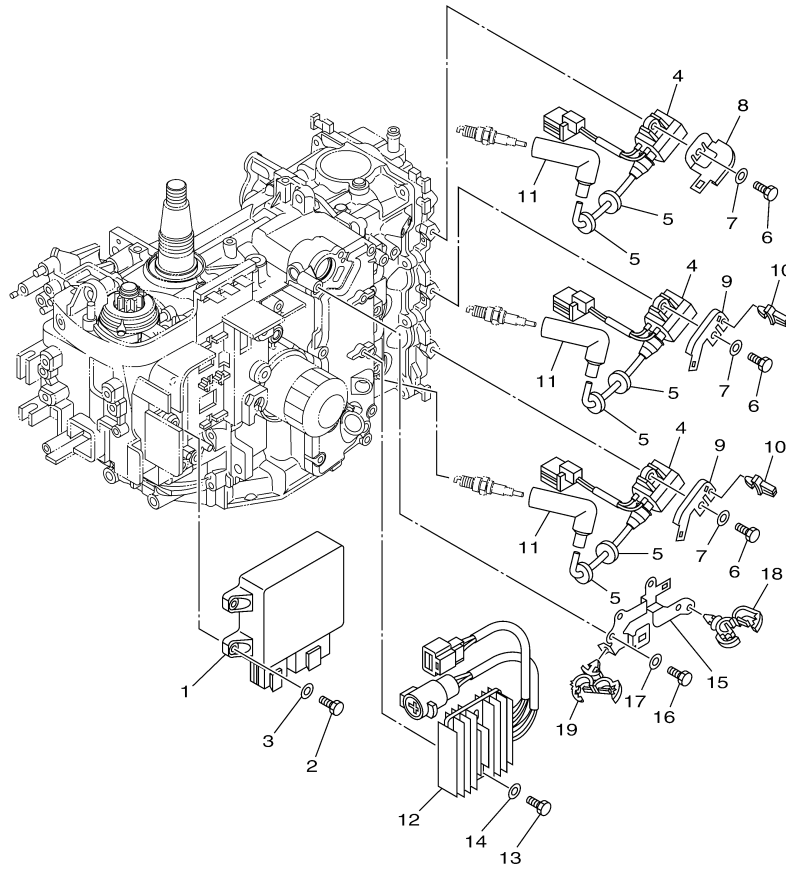
Part Notes

F40JEHA 1008 / GENERATOR

PART NUMBER	NOTE TEXT
90480-12314-00 	OEM: GROMMET used on F115TLR and F/LF115TXR 0510 Production and Later

©2014 Yamaha Motor Corporation, U.S.A. All rights reserved.

F40JEHA 1008 / ELECTRICAL 1



6BG1100-H130

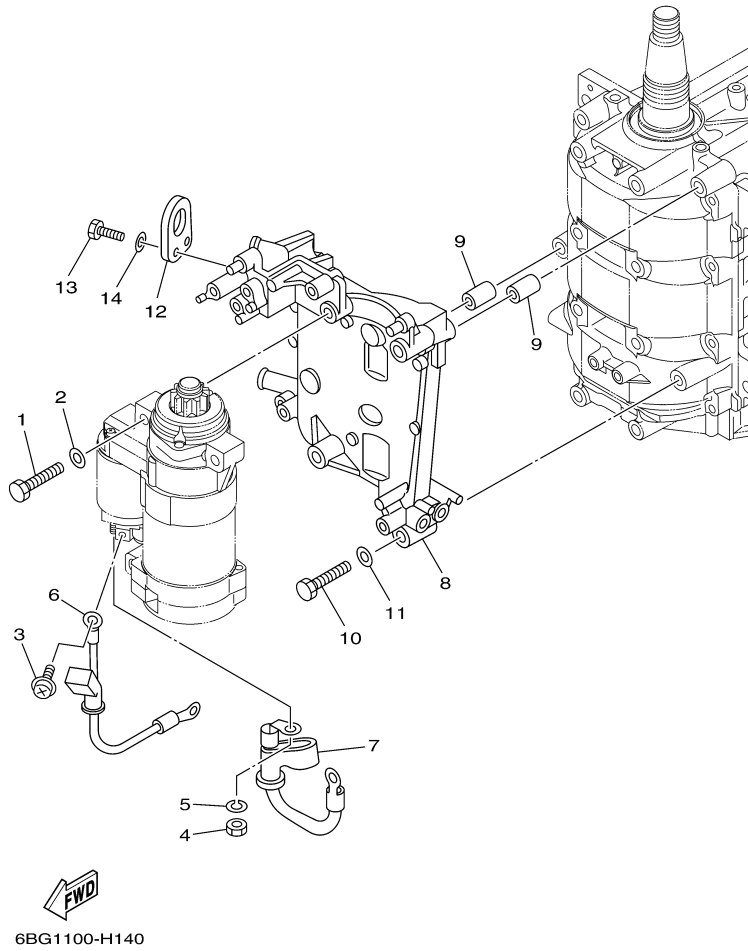
©2014 Yamaha Motor Corporation, U.S.A. All rights reserved.

Part List

F40JEHA 1008 / ELECTRICAL 1

REF - NO	PART NUMBER	PART NAME	QUANTITY	REMARKS
1	6BG-8591A-00-00	ENGINE CONTROL UNIT ASSY	1	
2	97095-06025-00	BOLT	4	
3	92995-06600-00	WASHER	4	
4	6BG-85570-00-00	IGNITION COIL ASSY	3	
5	90480-25003-00	GROMMET	6	
6	97095-06025-00	BOLT	3	
7	92995-06600-00	WASHER	3	
8	6BG-82398-00-00	PLATE 3	1	
9	6BG-82389-00-00	PLATE 2	2	
10	90464-06001-00	CLAMP	2	
11	6AH-82370-00-00	PLUG CAP ASSY	3	
12	6BG-81960-00-00	RECTIFIER & REGULATOR ASSY	1	
13	97095-06025-00	BOLT	2	
14	92995-06600-00	WASHER	2	
15	6BG-81528-00-00	CLAMP 1	1	
16	97095-06016-00	BOLT	2	
17	92995-06600-00	WASHER	2	
18	90464-13249-00	CLAMP	3	
19	90464-18246-00	CLAMP	1	

F40JEHA 1008 / ELECTRICAL 2



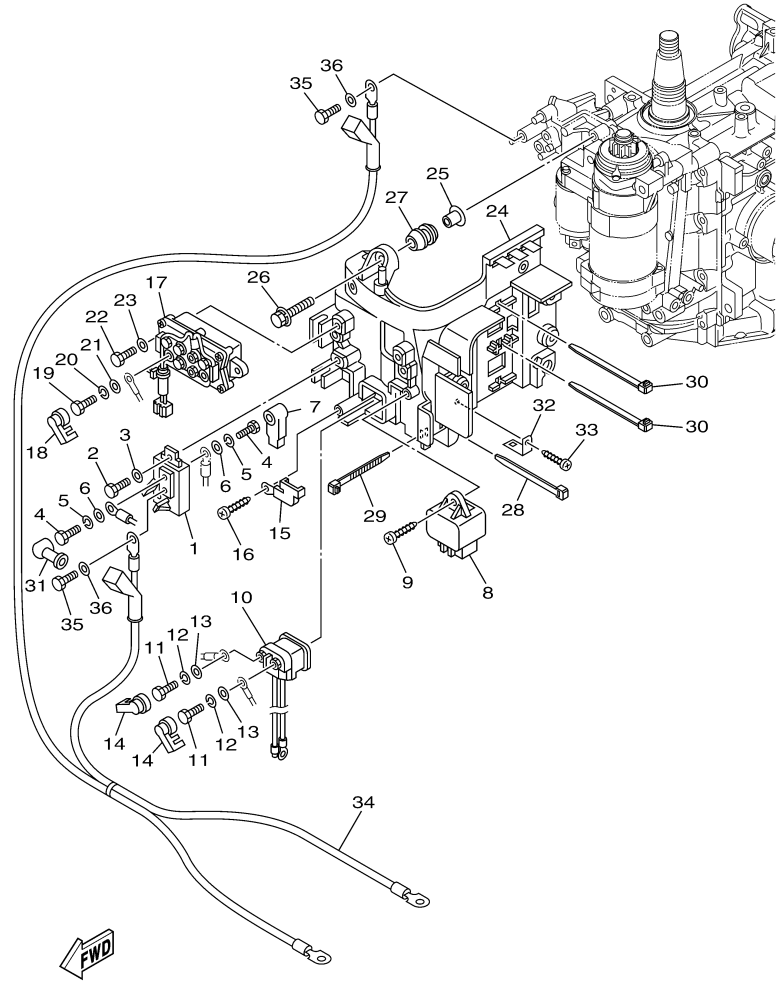
©2014 Yamaha Motor Corporation, U.S.A. All rights reserved.

Part List

F40JEHA 1008 / ELECTRICAL 2

REF - NO	PART NUMBER	PART NAME	QUANTITY	REMARKS
1	97013-08045-00	BOLT	3	
2	92903-08600-00	WASHER, PLATE	3	
3	90159-05M12-00	SCREW, WITH WASHER	1	
4	95333-08600-00	NUT	1	
5	92903-08100-00	WASHER, SPRING	1	
6	6BG-81815-00-00	CORD, STARTER MOTOR	1	
7	6BG-82115-00-00	WIRE, PLUS LEAD	1	
8	6BG-81822-00-94	BRACKET, STARTING MOTOR	1	
9	99590-10114-00	.PIN, DOWEL	2	
10	97095-08045-00	.BOLT	4	
11	92995-08600-00	WASHER	4	
12	62Y-11119-00-00	HANGER, ENGINE	1	
13	97095-06020-00	BOLT	2	
14	92995-06600-00	WASHER	2	

F40JEHA 1008 / ELECTRICAL 3



6BG1110-H160

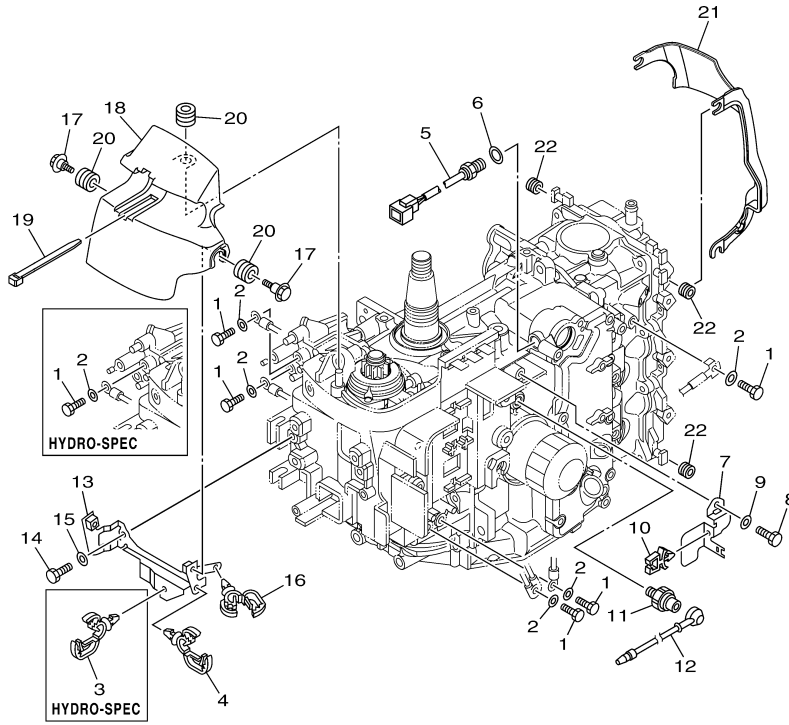
©2014 Yamaha Motor Corporation, U.S.A. All rights reserved.

Part List

F40JEHA 1008 / ELECTRICAL 3

REF - NO	PART NUMBER	PART NAME	QUANTITY	REMARKS
1	6BG-81925-00-00	TERMINAL	1	
2	97095-06016-00	BOLT	1	
3	92995-06600-00	WASHER	1	
4	97095-06010-00	BOLT	2	
5	92995-06100-00	WASHER, SPRING	2	
6	92995-06600-00	WASHER	2	
7	682-82119-01-00	COVER, LEAD WIRE	1	
8	60E-81950-00-00	RELAY ASSY	1	
9	97780-60620-00	SCREW, TAPPING	1	
10	6AW-8194A-00-00	RELAY	1	
11	97095-06010-00	BOLT	2	
12	92995-06100-00	WASHER, SPRING	2	
13	92995-06600-00	WASHER	2	
14	6P2-8183X-00-00	CAP, TERMINAL	2	
15	68F-81953-00-00	STAY, RELAY	1	
16	97780-60620-00	SCREW, TAPPING	1	
24	6BG-81948-00-00	BRACKET	1	
25	90387-06119-00	COLLAR	6	
26	90119-06M59-00	BOLT, WITH WASHER	6	
27	6A0-82317-00-00	DAMPER, IGNITION COIL	6	
28	90465-13M24-00	CLAMP	1	
29	90465-13M39-00	CLAMP	1	
30	90465-14M66-00	CLAMP	2	
31	6G5-82119-00-00	COVER, LEAD WIRE	1	
32	68V-85548-00-00	HOLDER	1	
33	97780-60620-00	SCREW, TAPPING	1	
34	6BG-82105-U0-00	BATTERY CABLE	1	AP
35	97095-06016-00	BOLT	2	AP
36	92995-06600-00	WASHER	2	AP

F40JEHA 1008 / ELECTRICAL 4



6BG1100-H160

©2014 Yamaha Motor Corporation, U.S.A. All rights reserved.



Part List

F40JEHA 1008 / ELECTRICAL 4

REF - NO	PART NUMBER	PART NAME	QUANTITY	REMARKS
1	97095-06016-00	BOLT	4	
2	92995-06600-00	WASHER	4	
3	90464-13249-00	CLAMP	1	
4	90464-13249-00	CLAMP	1	
5	6C5-85790-00-00	THERMOSENSOR ASSY	1	
6	90430-14115-00	.GASKET	1	
7	6BG-82388-00-00	PLATE	1	
8	97095-06016-00	BOLT	1	
9	92995-06600-00	WASHER	1	
10	90464-06001-00	CLAMP	1	
11	64J-82504-00-00	OIL PRESSURE SWITCH ASSY	1	
12	68V-81315-00-00	LEAD WIRE ASSY	1	
13	6BG-8257V-00-00	PLATE, CONNECTOR	1	
14	97095-06016-00	BOLT	2	
15	92995-06600-00	WASHER	2	
16	90464-18246-00	CLAMP	1	
17	90109-06MA1-00	BOLT	2	
18	6BG-81942-00-00	COVER	1	
19	90465-13M24-00	CLAMP	1	
20	90480-12314-00	GROMMET	3	
21	6BG-11192-00-00	COVER, CYLINDER HEAD 2	1	
22	90480-12314-00	GROMMET	3	

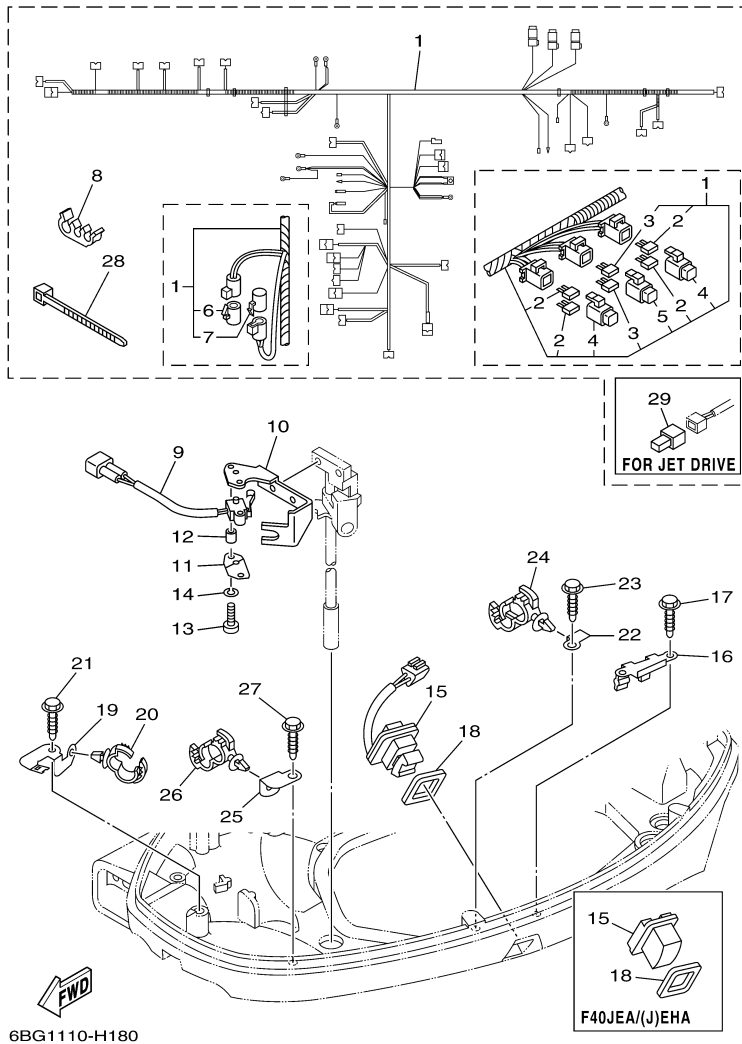
Part Notes

F40JEHA 1008 / ELECTRICAL 4

PART NUMBER		NOTE TEXT
90480-12314-00		OEM: GROMMET used on F115TLR and F/LF115TXR 0510 Production and Later
90480-12314-00		OEM: GROMMET used on F115TLR and F/LF115TXR 0510 Production and Later

©2014 Yamaha Motor Corporation, U.S.A. All rights reserved.

F40JEHA 1008 / ELECTRICAL 5



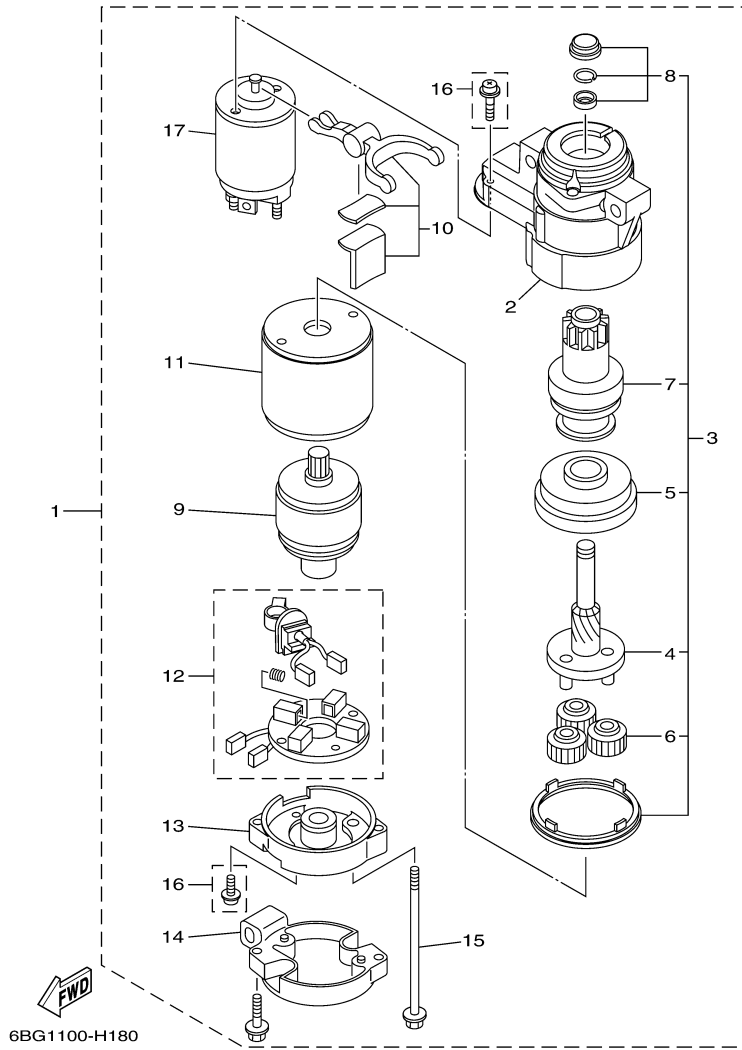
©2014 Yamaha Motor Corporation, U.S.A. All rights reserved.

Part List

F40JEHA 1008 / ELECTRICAL 5

REF - NO	PART NUMBER	PART NAME	QUANTITY	REMARKS
1	6BG-82590-10-00	WIRE HARNESS ASSY	1	
2	67F-82151-00-00	.FUSE (20A)	4	
3	67F-82151-10-00	.FUSE (30A)	2	
4	67F-8215B-10-00	.CAP (YELLOW)	2	
5	67F-8215B-20-00	.CAP (GREEN)	1	
8	90464-11008-00	CLAMP	1	
10	6C5-82554-01-00	STAY, NEUTRAL SWITCH	1	
15	69J-42723-00-8D	COVER, BOTTOM	1	
16	6BG-83614-00-00	BRACKET	1	
17	90109-06M86-00	BOLT	2	
18	69J-82587-00-00	GASKET	1	
19	6BG-42811-00-00	STAY	1	
20	90464-20181-00	CLAMP	1	
21	90109-06M86-00	BOLT	1	
22	6BG-42743-00-00	BRACKET	1	
23	90109-06M86-00	BOLT	1	
24	90464-20181-00	CLAMP	1	
25	63P-42756-00-00	STAY, CLAMP	1	
26	90464-20181-00	CLAMP	1	
27	90109-06M86-00	BOLT	1	
28	90465-13M97-00	CLAMP	1	
29	68V-82582-10-00	COVER, WIRE HARNESS	1	UR: JET DRIVE

F40JEHA 1008 / STARTING MOTOR



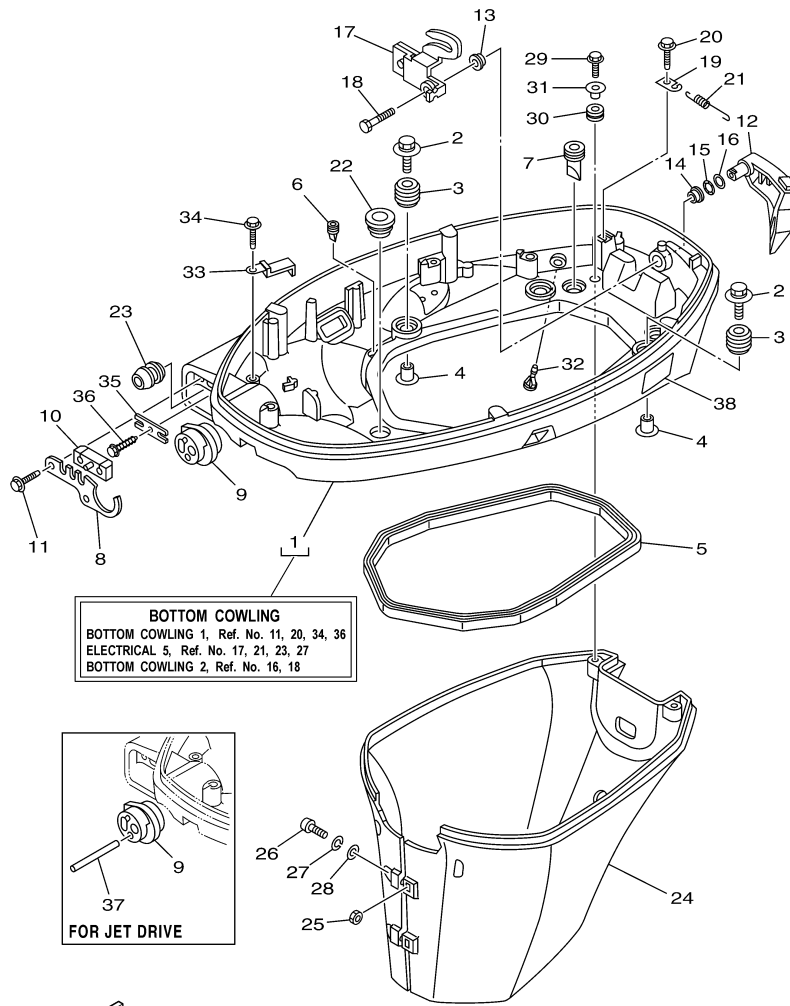
©2014 Yamaha Motor Corporation, U.S.A. All rights reserved.

Part List

F40JEHA 1008 / STARTING MOTOR

REF - NO	PART NUMBER	PART NAME	QUANTITY	REMARKS
1	6BG-81800-00-00	STARTING MOTOR ASSY	1	
2	6BG-81830-00-00	.FRONT BRACKET ASSY	1	
3	6BG-81807-00-00	.GEAR ASSY, STARTING MOTOR	1	
4	6BG-81836-00-00	..SPRING, LEVER	1	
5	6BG-81891-00-00	..GEAR, RING	1	
6	6AW-8183T-00-00	..GEAR, IDLER	3	
7	6BG-81832-00-00	..CLUTCH, OVER RUN	1	
8	6BG-81857-00-00	..RETAINER	1	
9	6BG-81850-00-00	.ARMATURE ASSY	1	
10	6BG-81839-00-00	.LEVER ASSY	1	
11	6BG-81810-00-00	.STATOR ASSY	1	
12	6BG-81840-00-00	.BRUSH HOLDER ASSY	1	
13	6BG-81820-00-00	.REAR BRACKET ASSY	1	
14	6BG-8182J-00-00	.BRACKET COMPLETE	1	
15	6BG-81826-00-00	.BOLT	2	
16	6BG-81846-00-00	.SCREW SET	1	
17	6BG-81941-00-00	.STARTER RELAY ASSY	1	

F40JEHA 1008 / BOTTOM COWLING 1



6BG1110-H200

©2014 Yamaha Motor Corporation, U.S.A. All rights reserved.


Part List

F40JEHA 1008 / BOTTOM COWLING 1

REF - NO	PART NUMBER	PART NAME	QUANTITY	REMARKS
1	6BG-42710-00-8D	BOTTOM COWLING ASSY	1	
2	90119-06M61-00	BOLT, WITH WASHER	4	
3	6BG-42748-00-00	GROMMET	4	
4	90387-06060-00	COLLAR	4	
5	62Y-42716-00-00	RUBBER, SEAL 1	1	
6	65W-42717-00-00	RUBBER, SEAL 2	2	
7	61A-42717-00-00	RUBBER, SEAL 2	2	
8	6BG-42761-00-00	STOPPER	1	
9	6BG-42725-00-00	GROMMET	1	
10	6BG-42727-00-00	GROMMET	1	
11	90109-06M86-00	BOLT	2	
12	6BG-42815-00-8D	LEVER, CLAMP	1	
13	90386-12M37-00	BUSH	1	
14	90386-12MA2-00	BUSH	1	
15	90206-12052-00	WASHER, WAVE	1	
16	90201-12M07-00	WASHER, PLATE	1	
17	6BG-42816-00-00	LEVER, CLAMP	1	
18	97095-06014-00	BOLT	1	
19	66T-43144-00-00	HOOK, SPRING	1	
20	90109-06M86-00	BOLT	1	
21	90506-18M40-00	SPRING, TENSION	1	
22	68U-42727-00-00	GROMMET	1	
23	6BG-24329-00-00	SEAL	1	
24	6BG-42741-00-8D	APRON	1	UR: S(16.1")
25	95380-06600-00	NUT, HEXAGON	2	
26	97880-06025-00	SCREW, PAN HEAD	2	
27	92990-06100-00	..WASHER, SPRING	2	
28	92990-06600-00	WASHER, PLATE	2	
29	90109-06M80-00	.BOLT	2	
30	90480-13M24-00	GROMMET	2	
31	90387-06M43-00	COLLAR	2	
32	6H3-44391-01-00	NIPPLE, HOSE	1	
33	90462-20005-00	CLAMP	1	
34	90109-06M86-00	BOLT	1	
35	6BG-48538-00-00	CLAMP, CABLE 1	1	
36	90109-06M86-00	BOLT	1	
37	60V-42629-00-00	..SEAL	1	UR: FOR JET DRIVE
38	6AH-42794-40-00	LABEL, WARNING (GENERAL)	1	

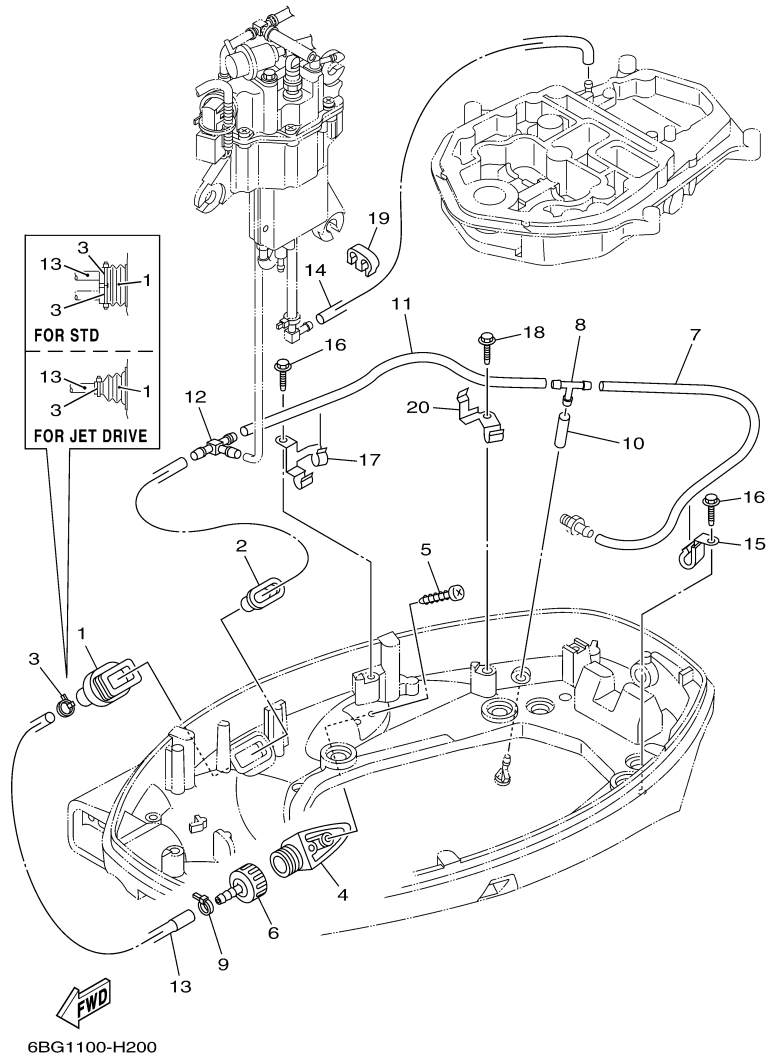
Part Notes

F40JEHA 1008 / BOTTOM COWLING 1

PART NUMBER	NOTE TEXT
92990-06600-00 	OEM: This part number is among the Top 100 Most Popular Marine Maintenance Parts as of March 2014.

©2014 Yamaha Motor Corporation, U.S.A. All rights reserved.

F40JEHA 1008 / BOTTOM COWLING 2



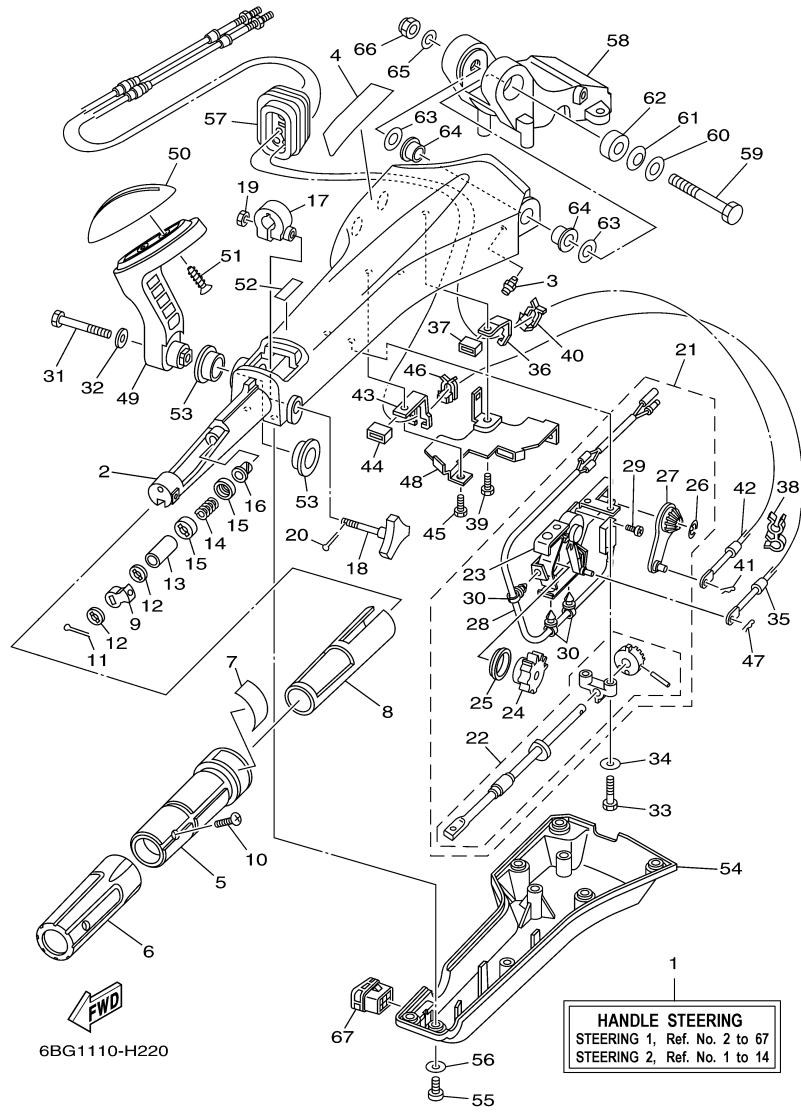
©2014 Yamaha Motor Corporation, U.S.A. All rights reserved.

Part List

F40JEHA 1008 / BOTTOM COWLING 2

REF - NO	PART NUMBER	PART NAME	QUANTITY	REMARKS
1	6BG-42724-00-00	GROMMET	1	UR: JET DRIVE
2	6BG-42384-00-00	SEAL, CAP	1	
3	90465-11M10-00	CLAMP	1	UR: JET DRIVE
4	6AW-12572-00-00	ADAPTER	1	
5	97780-60520-00	SCREW, TAPPING	2	
6	6R3-12580-00-00	JOINT ASSY	1	
7	90445-09035-00	HOSE (L380)	1	
8	688-24378-00-00	PIPE, JOINT 3	1	
9	90465-11M10-00	CLAMP	1	
10	90445-09220-00	HOSE (L30)	1	
11	90445-09224-00	HOSE (L270)	1	
12	688-24378-00-00	PIPE, JOINT 3	1	
13	6BG-12481-00-00	PIPE 1	1	
14	6A1-24311-00-00	PIPE, FUEL 1	1	
15	90462-08067-00	CLAMP	1	
16	90109-06M86-00	BOLT	2	
17	6BG-24135-00-00	CLAMP 1	1	
18	90109-06M86-00	BOLT	1	
19	90464-09M21-00	CLAMP	1	
20	6BG-24136-00-00	CLAMP 2	1	

F40JEHA 1008 / STEERING 1



©2014 Yamaha Motor Corporation, U.S.A. All rights reserved.

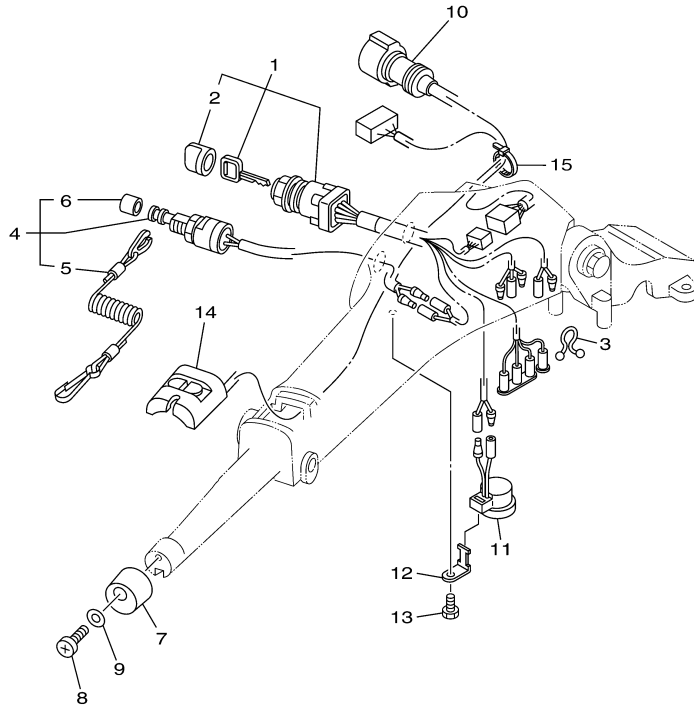
Part List

F40JEHA 1008 / STEERING 1

REF - NO	PART NUMBER	PART NAME	QUANTITY	REMARKS
1	6BC-42101-11-00	HANDLE, STEERING	1	
2	6X4-42111-02-4D	HANDLE, STEERING	1	
3	93700-06M03-00	NIPPLE, GREASE	1	
4	6X4-48215-00-00	GRAPHIC	1	
5	6X4-42119-00-00	GRIP, STEERING HANDLE	1	
6	6X4-42177-00-00	RUBBER, HANDLE	1	
7	6X4-42137-00-00	INDICATOR, THROTTLE	1	
8	6X4-41291-00-00	BUSHING	1	
9	6X4-44139-00-00	COLLAR	1	
10	90142-05001-00	SCREW, COUNTERSUNK	1	
11	91490-20010-00	PIN. COTTER	1	
12	6X4-44177-00-00	WASHER	2	
13	6X4-42128-00-00	COLLAR, DISTANCE 1	1	
14	90501-23215-00	SPRING, COMPRESSION	1	
15	6X4-44188-00-00	WASHER	2	
16	90386-08032-00	BUSH	1	
17	63D-42126-00-00	FRICITION, STEERING HANDLE GRIP	1	
18	6X4-48154-00-00	KNOB, THROTTLE	1	
19	95380-06600-00	NUT, HEXAGON	1	
20	91490-20010-00	PIN. COTTER	1	
21	6X4-44100-00-00	SHIFT LINK ASSY	1	
22	6X4-42115-00-00	.SHAFT, STEERING HANDLE	1	
23	6X4-44102-00-00	.SHIFT ASSIST ASSY	1	
24	6X4-47731-00-00	.GEAR, DRIVE	1	
25	6X4-44132-00-00	.BUSHING	1	
26	6X4-14137-00-00	.CLIP	1	
27	6X4-48261-00-00	.ARM, THROTTLE	1	
28	6X4-82540-00-00	.NEUTRAL SWITCH ASSY	1	
29	6A5-48129-10-00	.SCREW 3	2	
30	6X4-42821-00-00	.BAND, CLAMP	3	
31	97095-08040-00	BOLT	1	
32	92995-08600-00	WASHER	1	
33	97095-06030-00	BOLT	2	
34	92995-06600-00	WASHER	2	
35	67C-48321-11-00	CABLE	1	
36	6X4-48538-00-00	CLAMP, CABLE 1	1	
37	6X4-26367-00-00	PROTECTOR	1	
38	90464-09M42-00	CLAMP	1	
39	97095-06014-00	BOLT	1	
40	63D-48538-00-00	CLAMP, CABLE 1	1	
41	90468-10005-00	CLIP	1	
42	69W-26301-00-00	THROTTLE CABLE ASSY	1	
43	6X4-48538-10-00	CLAMP, CABLE 1	1	
44	6X4-26367-00-00	PROTECTOR	1	
45	97095-06014-00	BOLT	1	
46	63D-48538-00-00	CLAMP, CABLE 1	1	
47	90468-10005-00	CLIP	1	
48	6X4-42159-00-00	STAY	1	
49	6X4-44159-00-4D	HANDLE, GEAR SHIFT	1	
50	6X4-44173-00-00	LEVER, SHIFT CONTROL	1	
51	97780-60920-00	SCREW, TAPPING	2	
52	6G8-44191-00-00	INDICATOR, SHIFT	1	
53	90386-26MA3-00	BUSH	2	

54	6X4-42131-01-00	COVER, HANDLE STEERING	1	
55	97885-06016-00	SCREW, PAN HEAD	6	
56	92995-06600-00	WASHER	6	
57	6X4-42725-01-00	GROMMET	1	
58	63D-42121-22-4D	BRACKET	1	
59	90101-12014-00	BOLT	1	
60	92990-12200-00	WASHER, PLAIN	1	
61	90206-12M22-00	WASHER, WAVE	1	
62	90387-12M02-00	COLLAR	1	
63	90201-12035-00	WASHER, PLATE	2	
64	90386-12003-00	BUSH	2	
65	92990-12600-00	WASHER, PLATE	1	
66	90185-12M12-00	NUT, SELF-LOCKING	1	
67	6X4-42728-10-00	CAP	1	

F40JEHA 1008 / STEERING 2



6BG1110-H230

©2014 Yamaha Motor Corporation, U.S.A. All rights reserved.



Part List

F40JEHA 1008 / STEERING 2

REF - NO	PART NUMBER	PART NAME	QUANTITY	REMARKS
1	6X4-82510-00-00	MAIN SWITCH ASSY	1	
2	676-82577-00-00	.CAP, KEY	1	
3	90464-08M07-00	CLAMP	1	
4	69W-82575-00-00	ENGINE STOP SWITCH ASSY	1	
5	682-82556-00-00	.LANYARD, STOP SWITCH	1	
6	689-8257Y-00-00	.CAP	1	
7	6X4-42728-00-00	CAP	1	
8	97880-06016-00	SCREW, PAN HEAD	1	
9	92990-06600-00	WASHER, PLATE	1	
10	6X4-82586-10-00	EXT., WIRE HARNESS (L:950MM)	1	
11	6X4-83383-00-00	BUZZER	1	
12	6X4-83386-00-00	STAY, BUZZER	1	
13	97095-06014-00	BOLT	1	
14	6X4-81860-00-00	SWITCH ASSY	1	
15	90465-13M36-00	CLAMP	1	

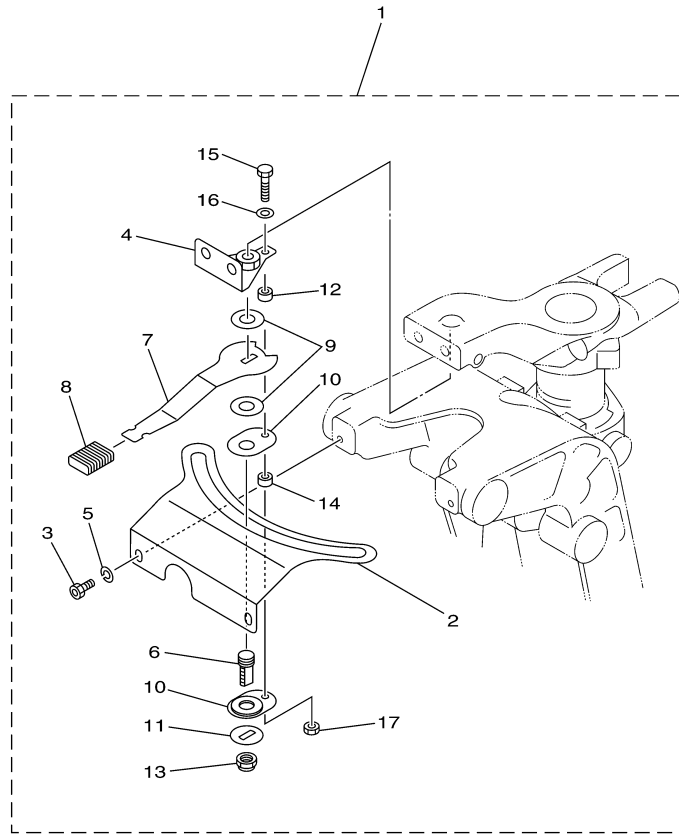
Part Notes

F40JEHA 1008 / STEERING 2

PART NUMBER		NOTE TEXT
682-82556-00-00		OEM: This part number is among the Top 100 Most Popular Marine Maintenance Parts as of March 2014.
92990-06600-00		OEM: This part number is among the Top 100 Most Popular Marine Maintenance Parts as of March 2014.

©2014 Yamaha Motor Corporation, U.S.A. All rights reserved.

F40JEHA 1008 / STEERING FRICTION



67C3100-C200

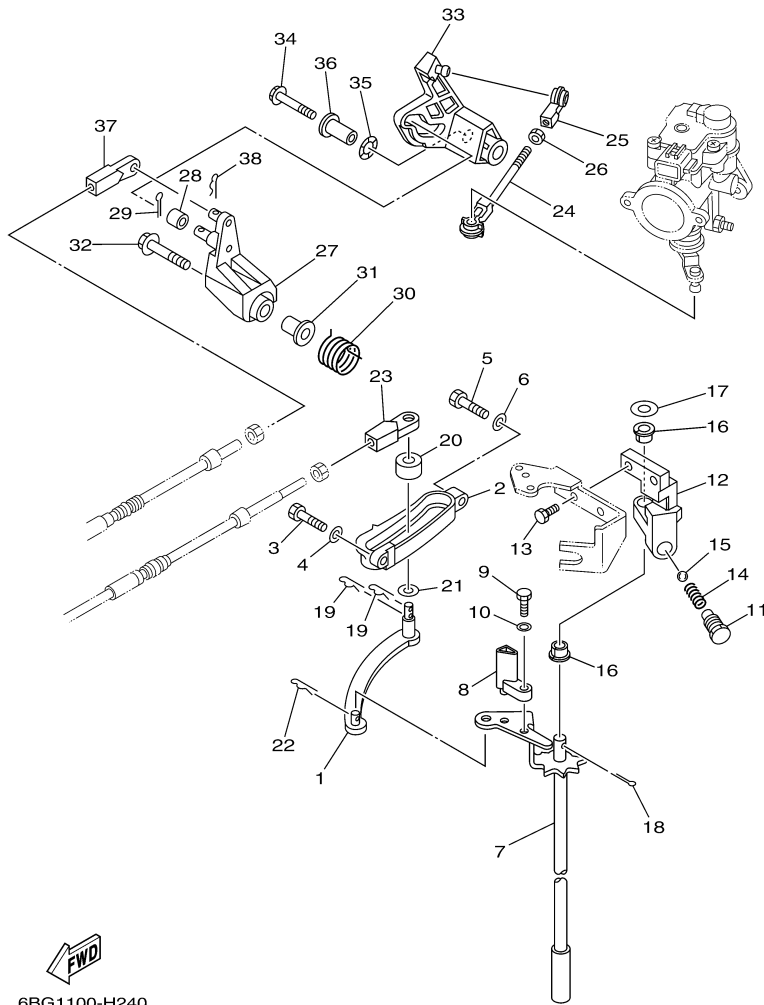
©2014 Yamaha Motor Corporation, U.S.A. All rights reserved.

Part List

F40JEHA 1008 / STEERING FRICTION

REF - NO	PART NUMBER	PART NAME	QUANTITY	REMARKS
1	67C-42508-03-00	STEERING FRICTION ASSY	1	
2	67C-42527-03-00	.PLATE, FRICTION	1	
3	90109-06M88-00	.BOLT	2	
4	67C-42525-00-00	.PLATE, FRICTION	1	
5	92990-06100-00	.WASHER, SPRING	2	
6	67C-42562-00-00	.SHAFT, STEERING LOCK	1	
7	67C-42561-00-00	.KNOB, STEERING LOCK	1	
8	689-43633-00-00	.COVER, TILT LEVER	1	
9	90202-10M56-00	.WASHER, PLATE	2	
10	65W-42528-00-00	.PLATE, FRICTION	2	
11	90209-10M26-00	.WASHER	1	
12	90387-05M05-00	.COLLAR	1	
13	90185-10M14-00	.NUT, SELF-LOCKING	1	
14	90387-05M11-00	.COLLAR	1	
15	97095-05020-00	.BOLT	1	
16	92995-05600-00	.WASHER	1	
17	95380-05600-00	.NUT	1	

F40JEHA 1008 / CONTROL



6BG1100-H240

©2014 Yamaha Motor Corporation, U.S.A. All rights reserved.




Part List

F40JEHA 1008 / CONTROL

REF - NO	PART NUMBER	PART NAME	QUANTITY	REMARKS
1	69W-44121-00-00	LEVER, SHIFT ROD	1	
2	62Y-44117-01-9S	BRACKET	1	
3	97095-06020-00	BOLT	1	
4	92995-06600-00	WASHER	1	
5	97095-06025-00	BOLT	1	
6	92995-06600-00	WASHER	1	
7	6BG-44120-00-00	HANDLE GEAR SHIFT ASSY	1	UR: S(16.1")
11	62Y-42715-01-00	BUSHING	1	
12	62Y-44118-00-00	BRACKET	1	
13	90101-06054-00	BOLT	2	
14	90501-12082-00	SPRING, COMPRESSION	1	
15	93501-04M02-00	BALL	1	
16	90386-90M90-00	BUSH	2	
17	90201-10M20-00	.WASHER, PLATE	1	
18	91490-20015-00	PIN. COTTER	1	
19	90468-18008-00	CLIP	2	
20	688-44122-00-00	BUSHING, SHIFT ROD LEVER	1	
21	90202-07M07-00	WASHER, PLATE	1	
22	90468-18008-00	CLIP	1	
23	69W-48344-00-00	CABLE END, REMOTE CONTROL	1	
24	6J8-41237-00-00	JOINT, LINK	1	
25	682-41237-00-00	JOINT, LINK	1	
26	95380-05700-00	NUT	1	
27	62Y-42154-00-00	LEVER, THROTTLE CONTROL	1	
28	6C5-42171-00-00	BUSHING	1	
29	91490-16010-00	PIN. COTTER	1	
30	62Y-44135-00-00	SPRING	1	
31	90387-06M45-00	COLLAR	1	
32	90119-06106-00	BOLT, WITH WASHER	1	
33	6BG-42335-00-00	LEVER, ACCEL. CONTROL	1	
34	95895-06045-00	BOLT, FLANGE	1	
35	90206-10M04-00	WASHER, WAVE	1	
36	90387-06225-00	COLLAR	1	
37	69W-48344-00-00	CABLE END, REMOTE CONTROL	1	
38	90468-18008-00	CLIP	1	

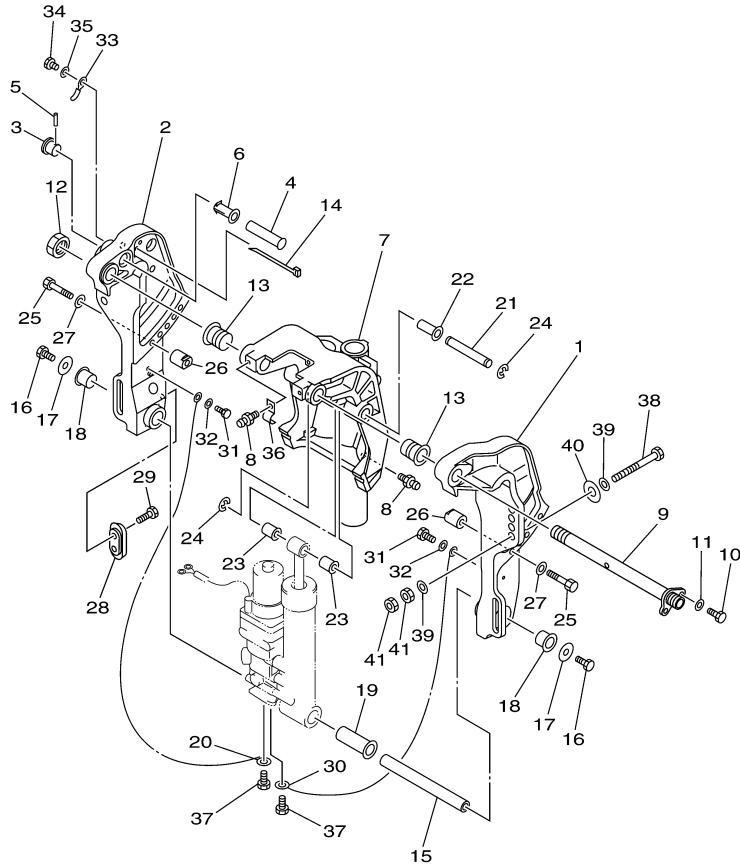
Part Notes

F40JEHA 1008 / CONTROL

PART NUMBER	NOTE TEXT
90468-18008-00 	OEM: This part number is among the Top 100 Most Popular Marine Maintenance Parts as of March 2014.
90468-18008-00 	OEM: This part number is among the Top 100 Most Popular Marine Maintenance Parts as of March 2014.
90468-18008-00 	OEM: This part number is among the Top 100 Most Popular Marine Maintenance Parts as of March 2014.

©2014 Yamaha Motor Corporation, U.S.A. All rights reserved.

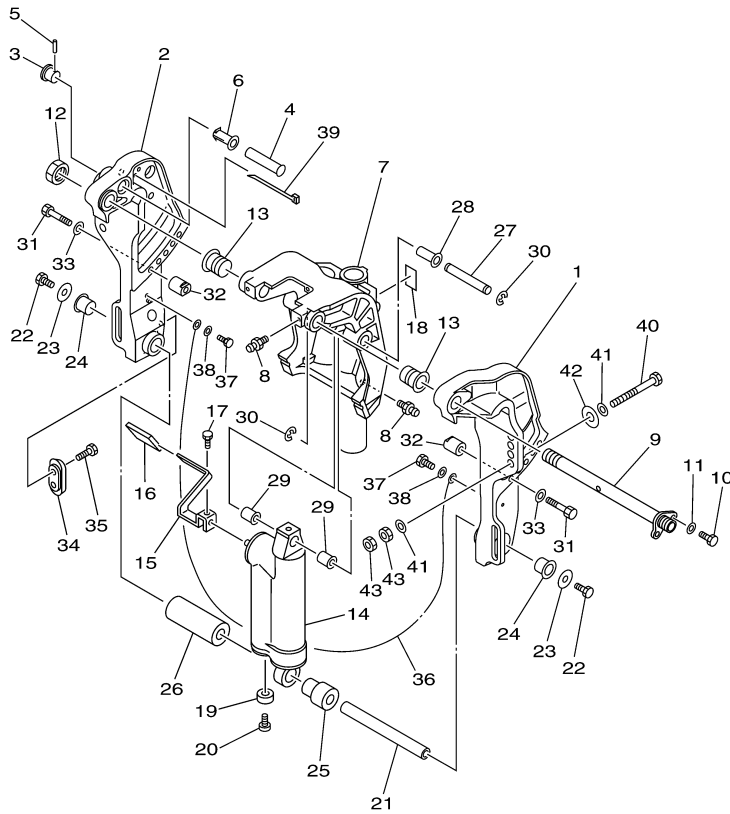
F40JEHA 1008 / BRACKET 1



6BG1110-H260

©2014 Yamaha Motor Corporation, U.S.A. All rights reserved.

F40JEHA 1008 / BRACKET 2



6BG1110-H270

©2014 Yamaha Motor Corporation, U.S.A. All rights reserved.


Part List

F40JEHA 1008 / BRACKET 2

REF - NO	PART NUMBER	PART NAME	QUANTITY	REMARKS
1	6K9-43111-10-8D	BRACKET, CLAMP 1	1	
2	6BG-43112-10-8D	BRACKET, CLAMP 2	1	
3	65W-43192-00-00	KNOB, STOPPER	1	
4	65W-43191-00-00	SHAFT, STOPPER	1	
5	91690-30018-00	PIN, SPRING	1	
6	90386-14MA1-00	BUSH	1	
7	67C-43311-10-8D	BRACKET, SWIVEL 1	1	
8	93700-06M03-00	NIPPLE, GREASE	1	
9	6K9-43131-01-00	BOLT, CLAMP BRACKET	1	
10	97095-08020-00	BOLT	1	
11	92995-08600-00	WASHER	1	
12	90185-22M11-00	NUT, SELF-LOCKING	1	
13	90386-22MA4-00	BUSH	2	
14	67C-43107-00-8D	SHOCK ABSORBER SUB- ASSY	1	UR: S(16.1")
15	67C-43631-00-00	LEVER, TILT	1	
16	682-43318-01-00	COVER	1	
17	97095-06010-00	BOLT	1	
18	63D-43691-00-00	INDICATOR, TILT	1	
19	663-45251-00-00	ANODE	1	
20	98680-06525-00	SCREW, OVAL HEAD	1	
21	90249-18M35-00	PIN	1	
22	97080-08016-00	BOLT	2	
23	90201-08M00-00	WASHER, PLATE	2	
24	90386-18M44-00	BUSH	2	
25	90386-18MA5-00	BUSH	1	
26	90387-18M03-00	COLLAR	1	
27	90249-12M38-00	PIN	1	
28	90381-12M10-00	BUSH, SOLID	1	
29	90381-12M11-00	BUSH, SOLID	2	
30	99080-10600-00	CIRCLIP	2	
31	97095-10050-00	BOLT	2	
32	6BG-43654-00-00	NUT 1	2	
33	92995-10600-00	WASHER	2	
34	65W-45251-00-00	ANODE	1	
35	90101-06020-00	BOLT	2	
36	67C-82127-20-00	WIRE, LEAD 2	1	
37	97095-06014-00	BOLT	2	
38	92995-06600-00	WASHER	2	
40	90101-12M65-00	BOLT	4	
41	92995-12200-00	WASHER	8	
42	90201-12426-00	WASHER, PLATE	4	
43	95380-12600-00	NUT	8	

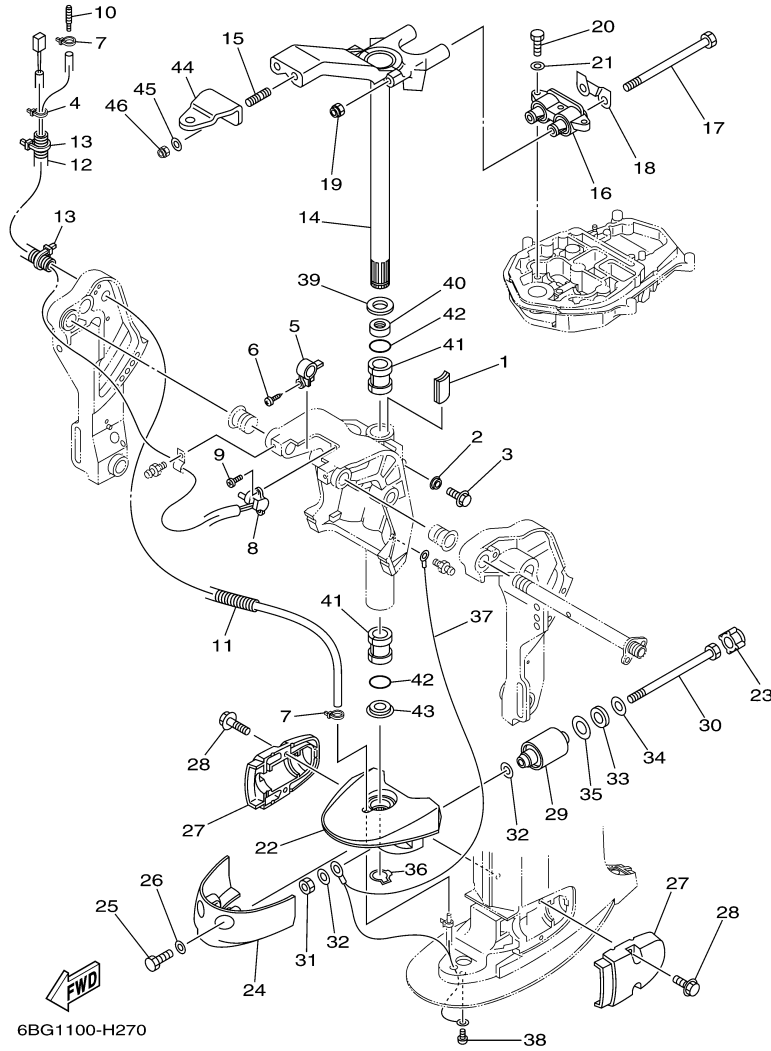
Part Notes

F40JEHA 1008 / BRACKET 2

PART NUMBER	NOTE TEXT
65W-45251-00-00 	OEM: This part number is among the Top 100 Most Popular Marine Maintenance Parts as of March 2014.

©2014 Yamaha Motor Corporation, U.S.A. All rights reserved.

F40JEHA 1008 / BRACKET 3



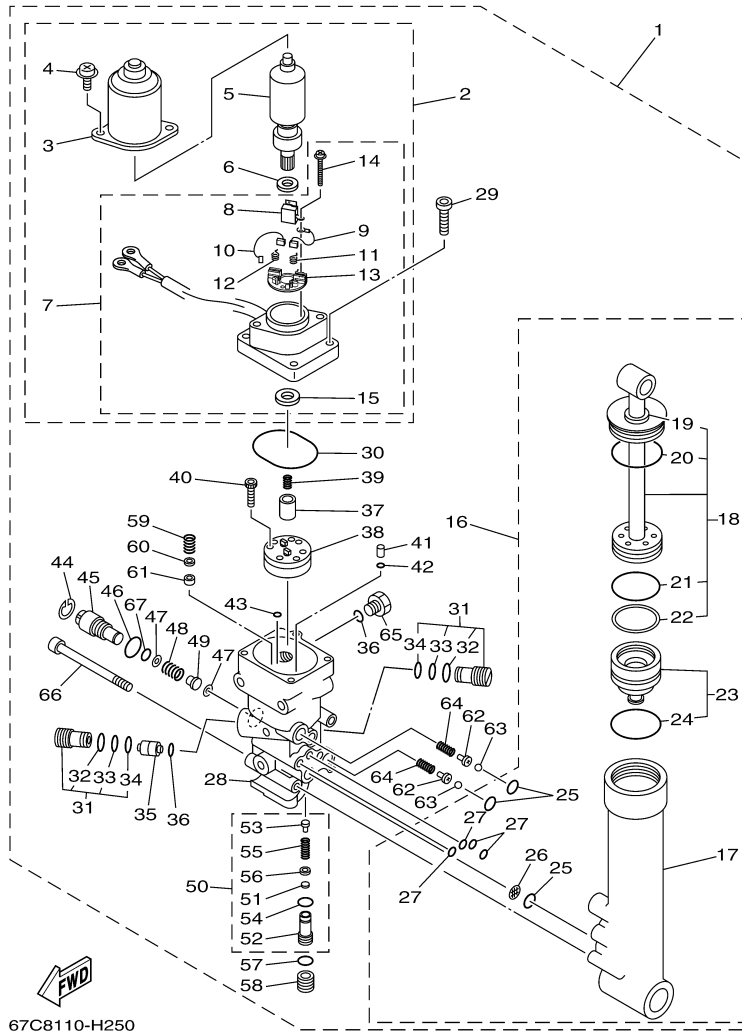
©2014 Yamaha Motor Corporation, U.S.A. All rights reserved.

Part List

F40JEHA 1008 / BRACKET 3

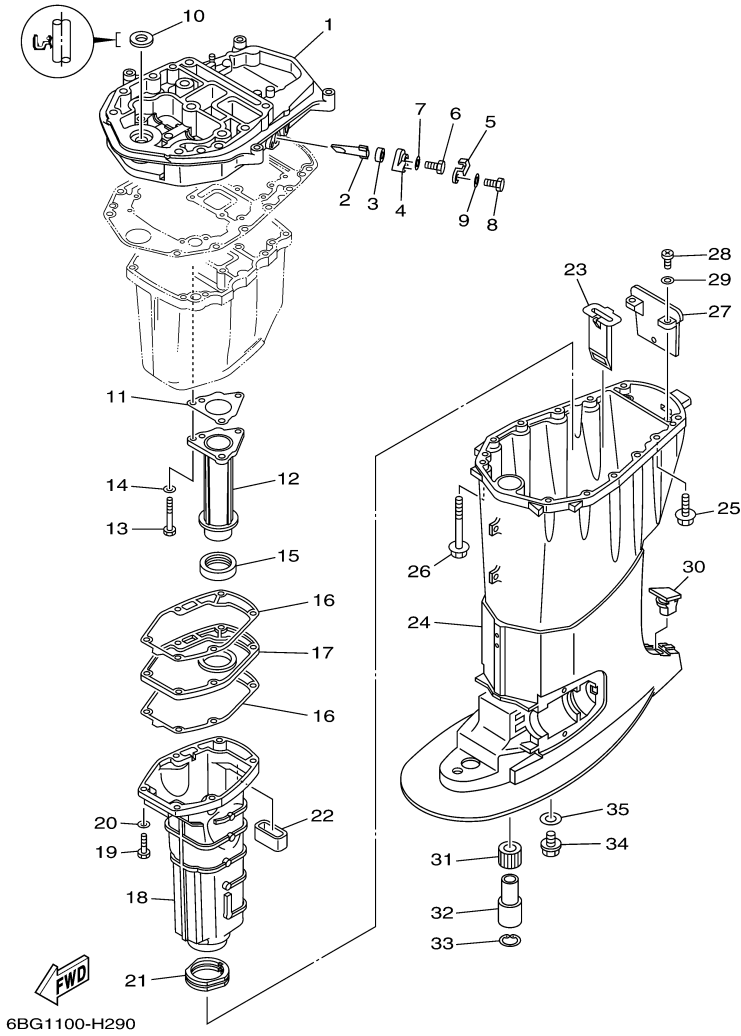
REF - NO	PART NUMBER	PART NAME	QUANTITY	REMARKS
1	6J8-42528-00-00	PLATE, FRICTION	1	
2	689-43373-01-00	SEAL, DAMPER	1	
3	90105-06M18-00	BOLT, FLANGE	1	
14	6BG-42510-00-8D	STEERING BRACKET ASSY	1	UR: S(16.1")
15	90116-10M28-00	BOLT, STUD	2	
16	67C-44514-00-8D	MOUNT DAMPER, UPPER SIDE	1	UR: S(16.1")
17	90101-08M15-00	BOLT	2	
18	66T-44526-30-00	PLATE	1	
19	90185-08045-00	NUT, SELF-LOCKING	2	
20	97075-08030-00	BOLT	3	
21	92995-08600-00	WASHER	3	
22	67C-44551-01-8D	HOUSING, LOWER MOUNT RUBBER 1	1	UR: S(16.1")
23	69W-44575-00-00	DAMPER, LOWER MOUNT RUBBER	2	
27	6C5-44552-00-8D	HOUSING, LOWER MOUNT RUBBER 2	2	
28	90119-08131-00	BOLT, WITH WASHER	4	
29	67C-44555-21-94	MOUNT DAMPER, LOWER SIDE	2	UR: S(16.1")
30	90109-12MA3-00	BOLT	2	
31	95380-12700-00	NUT	2	
32	90201-12M16-00	WASHER, PLATE	4	
33	90202-21100-00	WASHER, PLATE	2	
34	90201-13M19-00	WASHER, PLATE	2	
35	90201-22M05-00	WASHER, PLATE	2	
36	93410-28M06-00	CIRCLIP	1	
37	67C-82127-00-00	WIRE, LEAD 2	1	UR: S(16.1")
38	97885-06008-00	SCREW, PAN HEAD	1	
39	90201-30M00-00	WASHER, PLATE	1	
40	90386-30M78-00	BUSH	1	
41	90386-30M77-00	BUSH	2	
42	93210-29M94-00	O-RING	2	
43	90386-30M60-00	BUSH	1	
46	90185-10051-00	NUT, SELF-LOCKING	2	

F40JEHA 1008 / POWER TRIM TILT ASSY



©2014 Yamaha Motor Corporation, U.S.A. All rights reserved.

F40JEHA 1008 / UPPER CASING



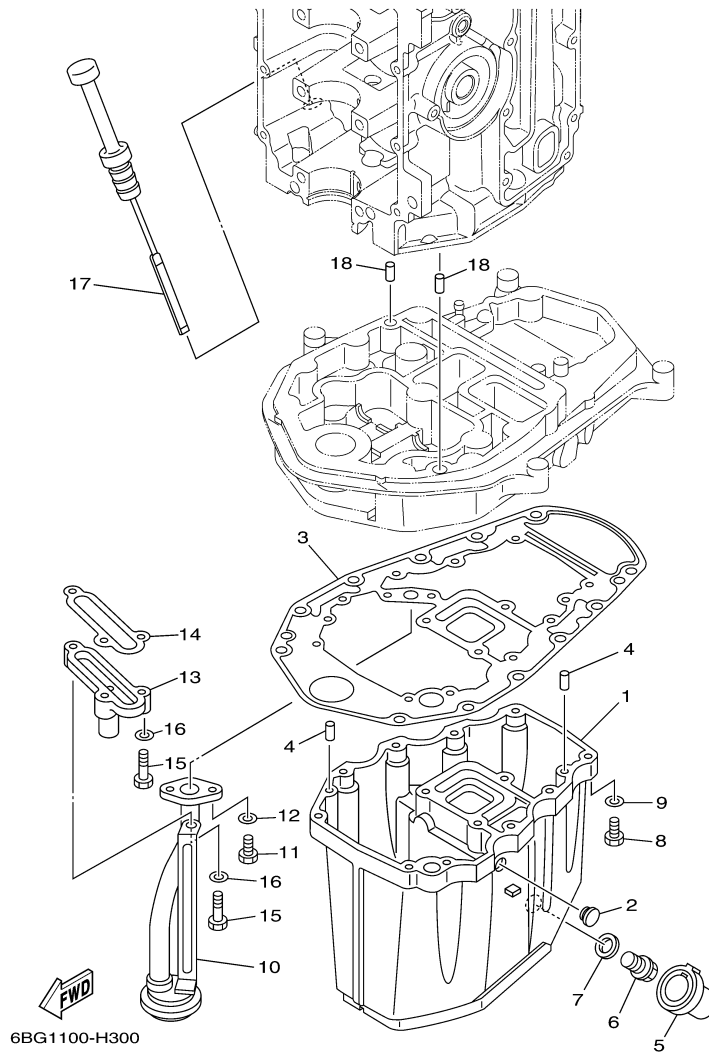
©2014 Yamaha Motor Corporation, U.S.A. All rights reserved.

Part List

F40JEHA 1008 / UPPER CASING

REF - NO	PART NUMBER	PART NAME	QUANTITY	REMARKS
1	6BG-41137-00-5B	GUIDE, EXHAUST	1	
2	62Y-11325-00-00	ANODE	1	
3	66M-11328-00-00	GROMMET, ANODE	1	
4	66M-11327-00-94	COVER, ANODE	1	
5	66M-12535-00-00	PLATE	1	
6	97095-05012-00	BOLT	1	
7	92995-05600-00	WASHER	1	
8	97013-06020-00	BOLT	1	
9	92903-06600-00	WASHER, PLATE	1	
10	93110-16004-00	.OIL SEAL	1	
11	64J-41133-10-00	.GASKET, EXHAUST MANIFOLD 1	1	
12	6BG-41131-00-5B	MANIFOLD, EXT. 1	1	
13	97075-06050-00	BOLT	3	
14	92995-06600-00	WASHER	3	
15	64J-46132-10-00	.GASKET 1	1	
16	6BG-41134-00-00	.GASKET, EXHAUST MANIFOLD	2	
17	6BG-45181-00-5B	PLATE	1	
18	6BG-14711-00-5B	MUFFLER 1	1	UR: (16.1")
19	97075-06025-00	BOLT	6	
20	92995-06600-00	WASHER	6	
21	67C-45123-00-00	.GASKET, MUFFLER	1	
22	62Y-45127-00-00	.SEAL	1	
23	64J-77123-00-00	GUIDE 1	1	
24	6BG-45111-00-8D	CASING, UPPER	1	UR: S(16.1")
25	90119-08102-00	BOLT, WITH WASHER	4	
26	90119-08132-00	BOLT, WITH WASHER	8	
27	67C-45151-00-00	COVER, UPPER CASING	1	
28	97880-05016-00	SCREW, PAN HEAD	2	
29	92990-05600-00	WASHER, PLATE	2	
30	63D-45155-00-00	CAP	1	UR: S(16.1")

F40JEHA 1008 / OIL PAN



©2014 Yamaha Motor Corporation, U.S.A. All rights reserved.


Part List

F40JEHA 1008 / OIL PAN

REF - NO	PART NUMBER	PART NAME	QUANTITY	REMARKS
1	6BG-15311-00-5B	OIL PAN	1	
2	90480-12M25-00	GROMMET	1	
3	69W-15312-00-00	.GASKET, OIL PAN	1	
4	93606-12019-00	.PIN, DOWEL	4	
5	67C-15316-10-00	DAMPER 1	1	UR: S(16.1")
6	90340-14M06-00	PLUG, STRAIGHT SCREW	1	
7	90430-14M09-00	.GASKET	1	
8	97075-06025-00	BOLT	10	
9	92995-06600-00	WASHER	10	
10	62Y-13411-00-00	STRAINER, OIL	1	
11	97013-06016-00	BOLT	2	
12	92903-06600-00	WASHER, PLATE	2	
13	6BG-11576-00-94	BODY, RELIEF	1	
14	62Y-13475-00-00	.GASKET	1	
15	97013-06025-00	BOLT	3	
16	92903-06600-00	WASHER, PLATE	3	
17	6BG-15362-00-00	PLUG, OIL LEVEL	1	
18	93608-12M05-00	PIN, DOWEL	2	

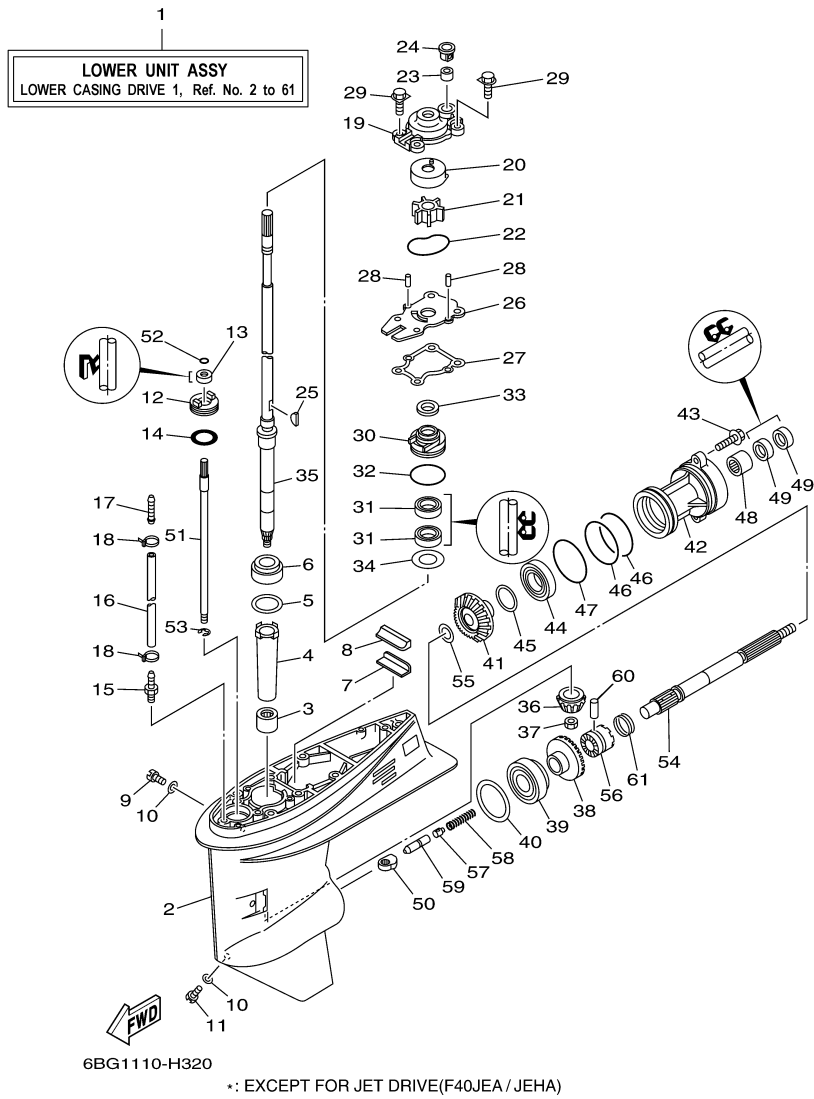
Part Notes

F40JEHA 1008 / OIL PAN

PART NUMBER	NOTE TEXT
90430-14M09-00 	OEM: This part number is among the Top 100 Most Popular Marine Maintenance Parts as of March 2014.

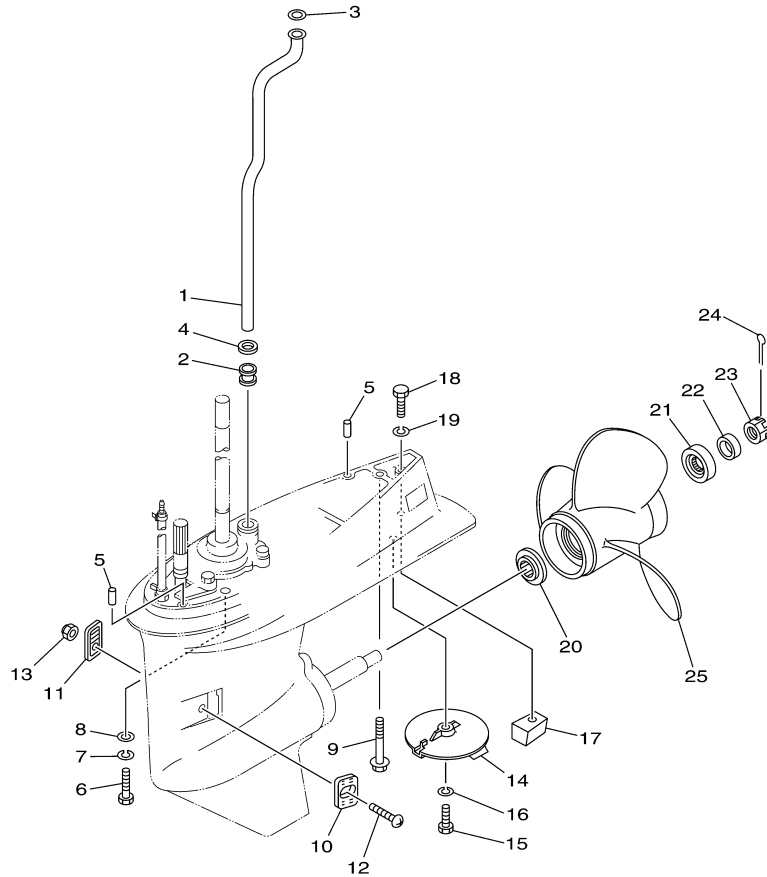
©2014 Yamaha Motor Corporation, U.S.A. All rights reserved.

F40JEHA 1008 / LOWER CASING DRIVE 1



©2014 Yamaha Motor Corporation, U.S.A. All rights reserved.

F40JEHA 1008 / LOWER CASING DRIVE 2




6BG1100-H320

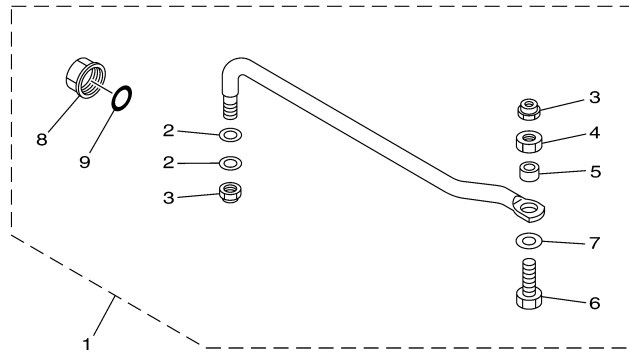
*: FROM REF.NO.5 TO REF.NO.25
EXCEPT FOR JET DRIVE(F40JEA / JEHA)

Part List

F40JEHA 1008 / LOWER CASING DRIVE 2

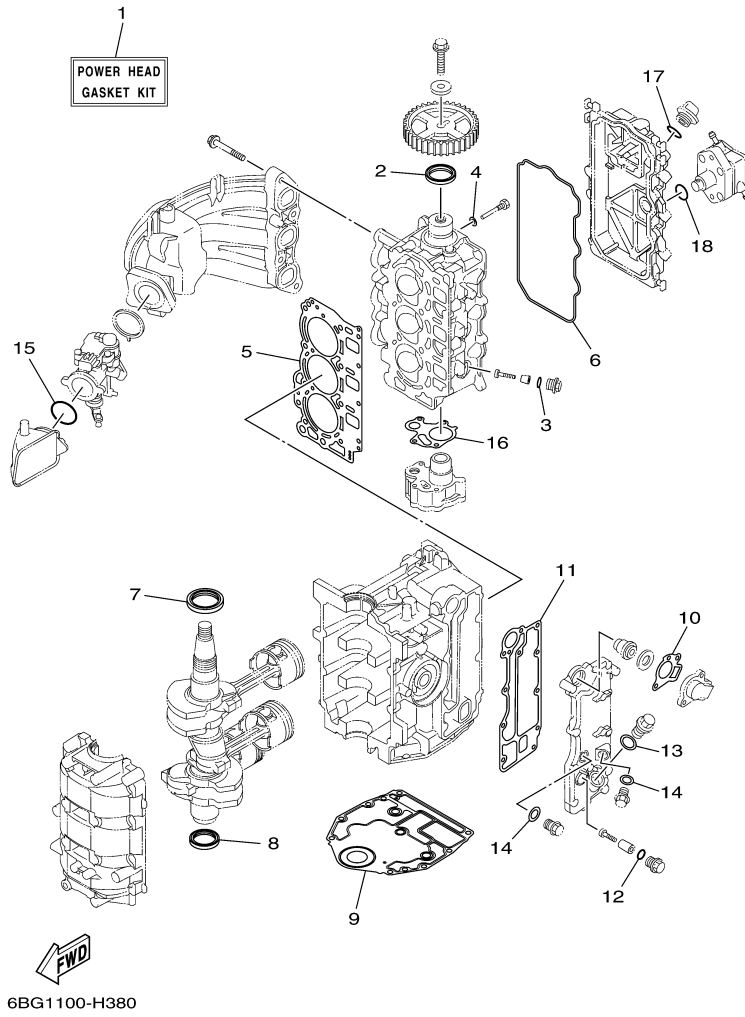
REF - NO	PART NUMBER	PART NAME	QUANTITY	REMARKS
1	67C-44361-00-00	TUBE, WATER 1	1	UL: S(16.1")
2	663-44367-00-00	DAMPER, WATER SEAL 3	1	
3	90202-12060-00	WASHER, PLATE	1	
4	90430-12072-00	GASKET	1	

F40JEHA 1008 / STEERING GUIDE



6BG1100-H340

F40JEHA 1008 / REPAIR KIT 1



©2014 Yamaha Motor Corporation, U.S.A. All rights reserved.


Part List

F40JEHA 1008 / REPAIR KIT 1

REF - NO	PART NUMBER	PART NAME	QUANTITY	REMARKS
1	6BG-W0001-00-00	POWER HEAD GASKET KIT	1	
2	93102-37M40-00	.OIL SEAL	1	
3	93210-13M63-00	.O-RING	3	
4	90430-06014-00	.GASKET	1	
5	6BG-11181-00-00	.GASKET, CYLINDER HEAD 1	1	
6	6BG-11356-00-00	.SEAL, CYLINDER 2	1	
7	93102-43M42-00	.OIL SEAL	1	
8	93101-35002-00	.OIL SEAL	1	
9	6BG-11351-00-00	.GASKET, CYLINDER	1	
10	62Y-12414-00-00	.GASKET, COVER	1	
11	6BG-41114-00-00	.GASKET, EXHAUST OUTER COVER	1	
12	93210-13M63-00	.O-RING	1	
13	90430-18130-00	.GASKET	1	
14	90430-14115-00	.GASKET	2	
15	93210-42159-00	.O-RING	1	
16	6C5-13329-00-00	.GASKET, PUMP COVER	1	
17	93210-24M79-00	.O-RING	1	
18	93210-24M79-00	.O-RING	1	

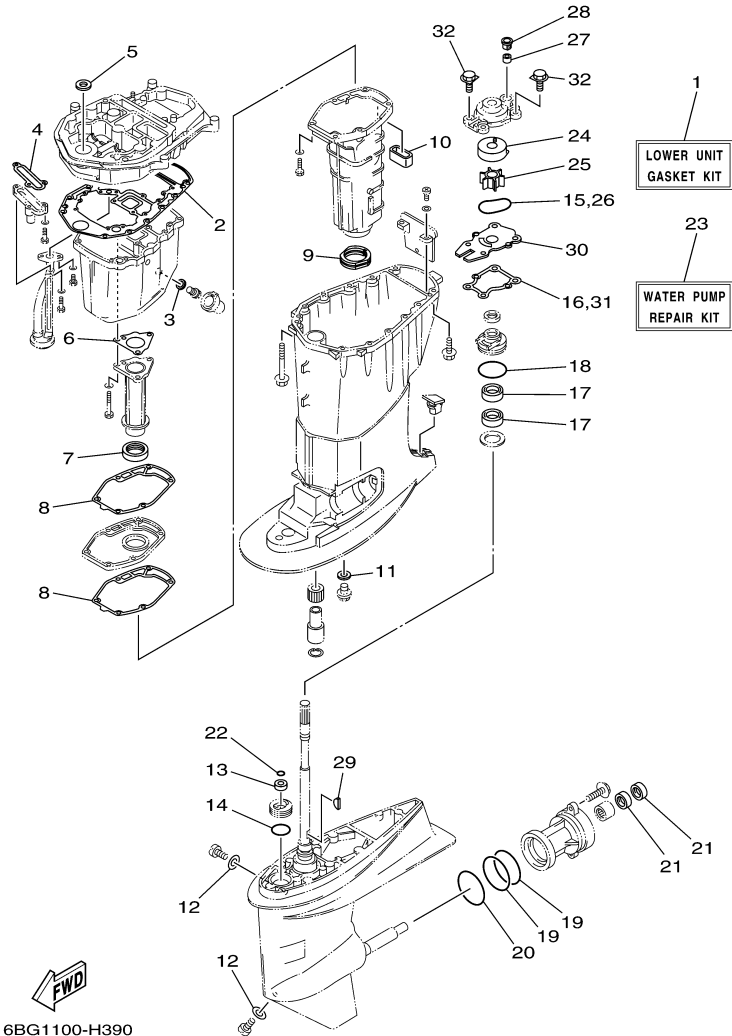
Part Notes

F40JEHA 1008 / REPAIR KIT 1

PART NUMBER	NOTE TEXT
62Y-12414-00-00 	OEM: This part number is among the Top 100 Most Popular Marine Maintenance Parts as of March 2014.

©2014 Yamaha Motor Corporation, U.S.A. All rights reserved.

F40JEHA 1008 / REPAIR KIT 2



©2014 Yamaha Motor Corporation, U.S.A. All rights reserved.

F40JEHA 1008 / SERVICE DATA 1

F40A**PID Range**

6BG-1000001~

Tune-Up Specifications

Spark Plug - NGK.....	DPR6EB-9
Plug Gap	0.8~0.9mm (.031~0.035")
Firing Order	1-2-3
Ignition Timing @ Idle	ECM Controlled
Idle Speed	750~850 rpm
Engine Oil Type, FCW rated ..	Yamalube 4M 10W-30, 20W-40 or equivalent FCW rated motor oil
Fuel Requirements	85 Octane (PON)
Engine Oil Capacity (with filter)	1.7L (1.8 qts.)
Intake Valve Clearance (cold)	0.15~ 0.25mm (0.006 ~ 0.009")
Exhaust Valve Clearance (cold)	0.25 ~ 0.35mm (0.010 ~_0.014")
L/U Gear Oil Capacity	430 cc (15 oz.)
L/U Gear Oil Type	GL-4 hypoid gear oil, SAE90
Minimum Battery Specifications ..	380 CCA, 502 MCA, 124 RC
Compression (reference only)	120 psi
Tach Pole Setting	12 pole

Basic Troubleshooting Specifications**General Tests**

Full Throttle RPM Range	5000 to 6000 rpm
Thermostat Opening Temperature	58~62° C (136~144° F)
Oil Pressure Warning	Pressure less than 4.3~8.5 psi
Over Resolution Control	6200 rpm

©2014 Yamaha Motor Corporation, U.S.A. All rights reserved.

F40JEHA 1008 / SERVICE DATA 2

Electrical Test*	
Ignition & Ignition Control System	
Pulsar Coil	W/R (+) - B (-)
Resistance (*1, *2)	152 - 228 Ω
Air Gap	0.014 - 0.053" (0.35 - 1.35 mm)
Peak Voltage (*3)	
Cranking, Unloaded	5.0 V
Cranking, Loaded	2.7 V
1500 rpm, Loaded	6.5 V
3500 rpm, Loaded	9.8 V
Intake Air Temperature Sensor	Compare YDIS data to ambient
Engine Temperature Sensor (*1)	B/Y - B
Resistance @ 20° C (68° F)	26.46 KΩ
Resistance @ 75° C (167° F)	0.37 KΩ
Resistance @ 90° C (194° F)	240 Ω
Throttle Position Sensor	
TPS Input Voltage (*1)	4.75 - 5.25 V (Ref)
Throttle valve closed	0.674 V
Throttle valve open	3.6 V
Throttle Valve Opening Angle (*1)	
Throttle control lever fully closed	0.1°
Throttle control lever fully open	75.3°
Fuel Control System	
Fuel Injector Resistance (*1, *2)	12.0 Ω
Low Pressure Fuel Pump Resistance (*1)	NA
High Pressure Fuel Pump Resistance (*1)	1.4 - 1.7 Ω
Vapor Shut Off Valve	R/Y - G/B
Resistance (*1, *2)	30.0 - 34.0 Ω
Charging System	
Stator Coil Output (Peak Voltage) (*3)	G - G
Peak voltage unloaded @ cranking	14.0 V
Peak voltage unloaded @ 1500	45.0 V
Peak voltage unloaded @ 3500	102.0 V
Rectifier Regulator Output (*3)	R - B
Peak voltage loaded @ 1500	13.0 V
Peak voltage loaded @ 3500	13.0 V

(*1) These figures are for reference only.

(*2) Resistance @ 20° C (68° F)

(*3) Voltage specifications are minimum values

NOTE: Your results may vary due to the internal impedance of DVOM's from different manufacturers as well as the ambient temperature.)

F40 Technical Data	
Fuel System	
Fuel Pressure within 3 seconds Key ON	40 psi
Fuel pressure @ idle rpm	33 psi
Fuel Vacuum, maximum @ WOT	4.0 in Hg
Lower Unit	
Pressure Test	10 psi

©2014 Yamaha Motor Corporation, U.S.A. All rights reserved.

F40JEHA 1008 / SERVICE DATA 3

Diagnostic Code Chart	
Code	Affected Component or Symptom
1	No trouble (functioning properly)
15	Water temperature sensor malfunction (thermo sensor malfunction)
18	Throttle position sensor malfunction
19	Battery voltage malfunction (charging system malfunction)
23	Intake temperature sensor malfunction (air temperature sensor malfunction)
27	Water in the fuel
28	Shift position switch malfunction (neutral switch "OFF")
29	Intake pressure sensor malfunction (air pressure sensor malfunction)
37	Intake air passage (air leakage)
44	Engine stop lanyard switch "ON" (engine shut-off switch "ON")
49	Over cooling
86	Immobilizer malfunction

©2014 Yamaha Motor Corporation, U.S.A. All rights reserved.

©2014 Yamaha Motor Corporation, U.S.A. All rights reserved.