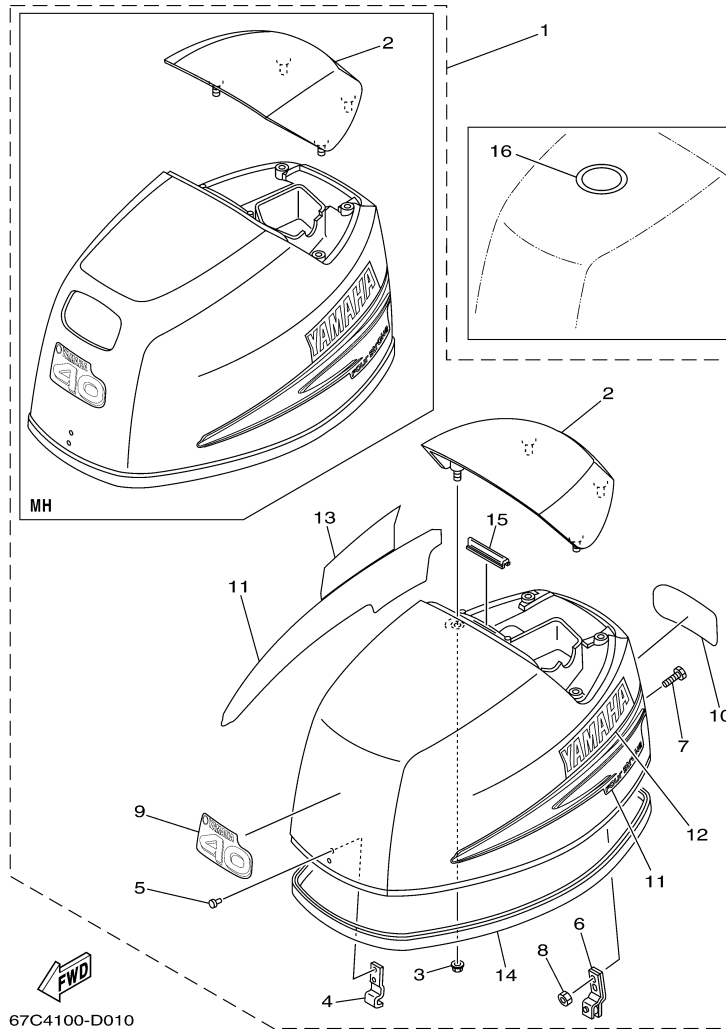


F40BMJH 0408 / TOP COWLING



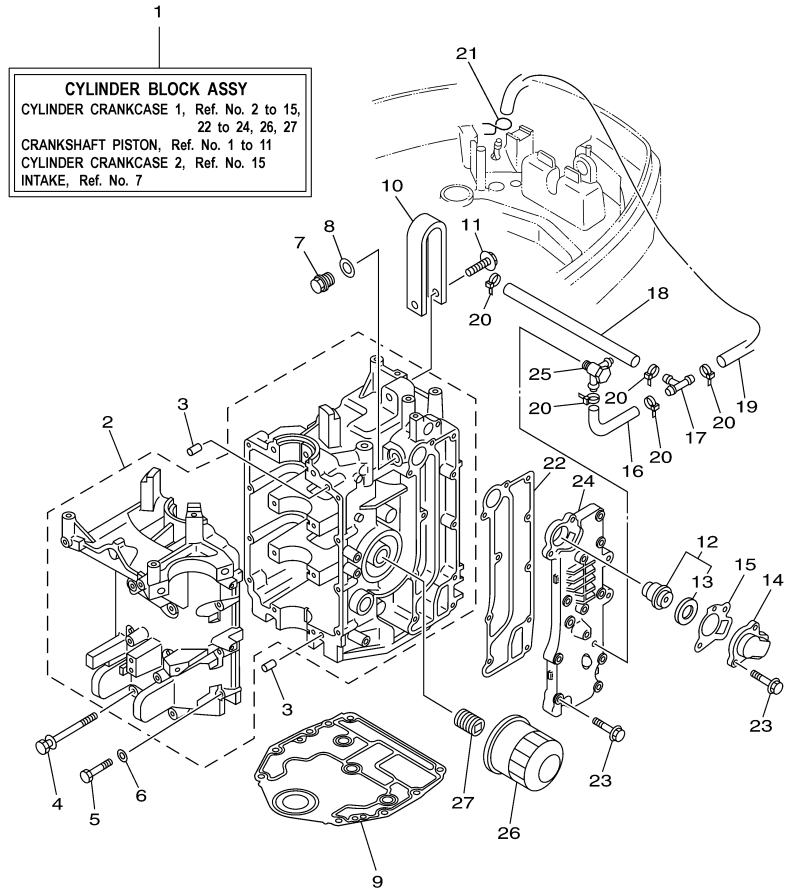
©2014 Yamaha Motor Corporation, U.S.A. All rights reserved.

Part List

F40BMJH 0408 / TOP COWLING

REF - NO	PART NUMBER	PART NAME	QUANTITY	REMARKS
1	67C-42610-B0-4D	TOP COWLING ASSY	1	F40BMJH
2	67C-42613-10-4D	.MOLDING, AIR DUCT	1	
3	90179-06M24-00	.NUT	4	
4	62Y-42651-00-00	.HOOK	1	
5	90266-06M02-00	.RIVET	2	
6	67C-42652-02-00	.HOOK	1	
7	90109-06MA4-00	.BOLT	2	
8	95380-06700-00	.NUT	2	
9	67C-42677-A0-00	.GRAPHIC, FRONT	1	FOR JET-DRIVE
10	67C-42678-A0-00	.GRAPHIC, REAR	1	FOR JET-DRIVE
11	67C-W0070-10-00	.GRAPHIC SET	1	
12	67C-42681-10-00	.MARK, COWLING	1	
13	67C-42682-10-00	.MARK, COWLING	1	
14	67C-42615-00-00	.SEAL	1	
15	61N-42628-00-00	.SEAL	1	
16	67F-13434-10-00	LABEL, CAUTION	1	

F40BMJH 0408 / CYLINDER CRANKCASE 1



67C7300-G020


Part List

F40BMJH 0408 / CYLINDER CRANKCASE 1

REF - NO	PART NUMBER	PART NAME	QUANTITY	REMARKS
1	67C-W009B-02-1S	CYLINDER BLOCK ASSY	1	
2	67C-15100-01-1S	CRANKCASE ASSY	1	
3	99530-08012-00	PIN, DOWEL	2	
4	90119-08M01-00	BOLT, WITH WASHER	8	
5	97013-06035-00	BOLT	8	
6	92903-06600-00	WASHER, PLATE	8	
7	90340-14M06-00	PLUG, STRAIGHT SCREW	1	
8	90430-14115-00	.GASKET	1	
9	67C-11351-01-00	.GASKET, CYLINDER	1	
10	65W-11119-00-00	HANGER, ENGINE	1	
11	90105-08M87-00	BOLT, FLANGE	1	
12	6G8-12411-03-00	THERMOSTAT	1	
13	688-12412-00-00	.SEAL, THERMOSTAT	1	
14	6H3-12413-00-1S	COVER, THERMOSTAT	1	
15	62Y-12414-00-00	.GASKET, COVER	1	
16	90445-09068-00	HOSE (L110)	1	
17	688-24378-00-00	PIPE, JOINT 3	1	
18	90445-09095-00	HOSE (L215)	1	
19	90445-09104-00	HOSE (L300)	1	
20	90465-11M10-00	CLAMP	5	
21	90467-08004-00	CLIP	1	
22	67C-41114-10-00	.GASKET, EXHAUST OUTER COVER	1	
23	90119-06MA5-00	BOLT, WITH WASHER	10	
24	67C-41113-01-1S	OUTER COVER, EXHAUST	1	
25	62Y-11372-01-00	NIPPLE, HOSE	1	FLUSHING KIT
26	5GH-13440-00-00	ELEMENT ASSY, OIL CLEANER	1	
27	90401-20M00-00	BOLT, UNION	1	

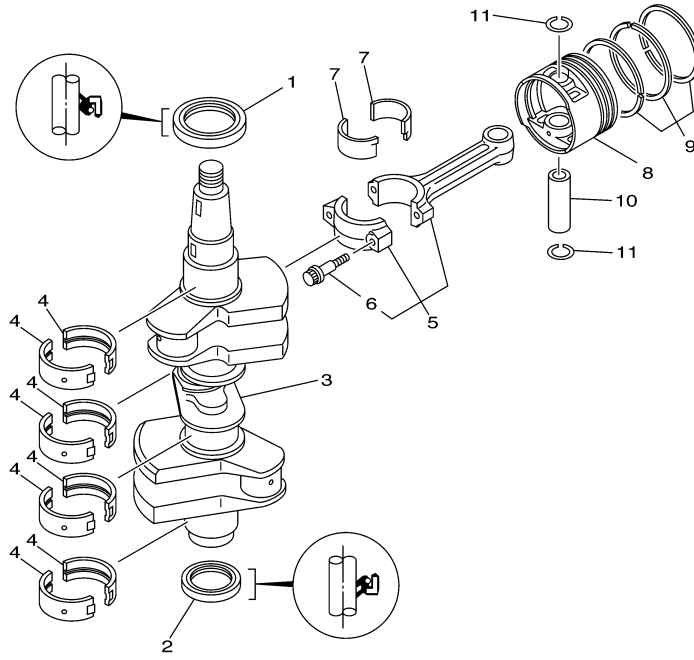
Part Notes

F40BMJH 0408 / CYLINDER CRANKCASE 1

PART NUMBER	NOTE TEXT
62Y-12414-00-00 	OEM: This part number is among the Top 100 Most Popular Marine Maintenance Parts as of March 2014.

©2014 Yamaha Motor Corporation, U.S.A. All rights reserved.

F40BMJH 0408 / CRANKSHAFT PISTON



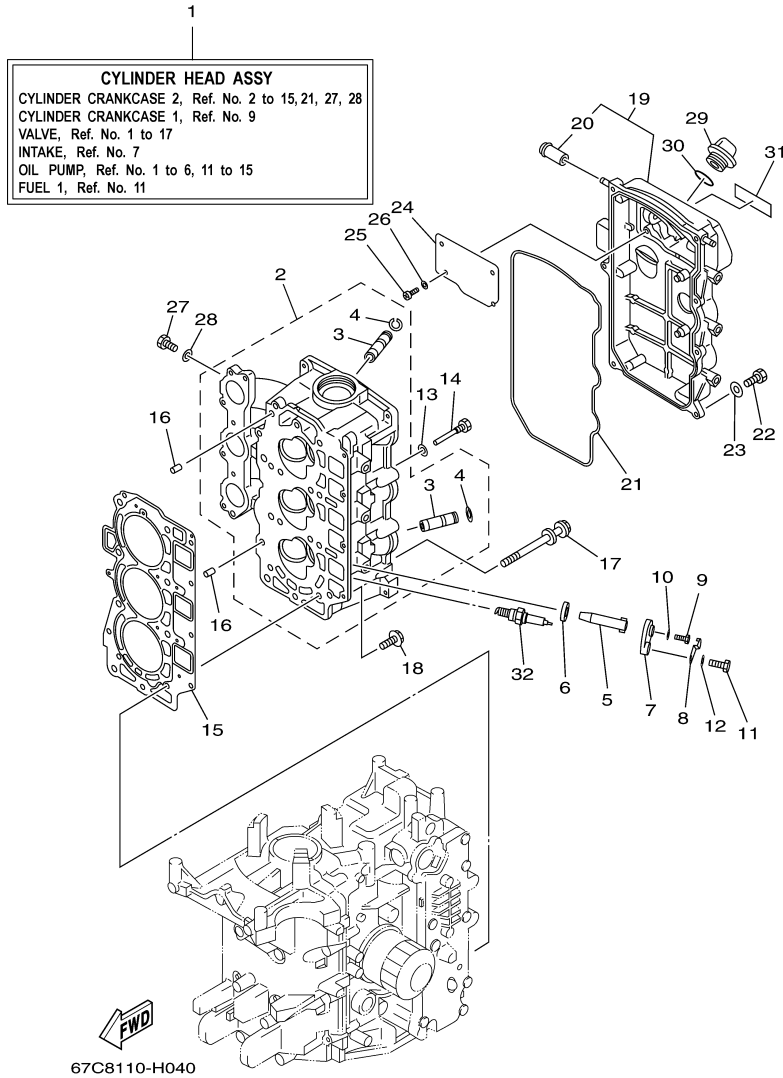
67C0010-0031

Part List

F40BMJH 0408 / CRANKSHAFT PISTON

REF - NO	PART NUMBER	PART NAME	QUANTITY	REMARKS
1	93102-43M42-00	.OIL SEAL	1	
2	93102-35M47-00	.OIL SEAL	1	
3	67C-11411-00-00	CRANKSHAFT	1	
4	62Y-11416-00-00	PLANE BEARING, CRANKSHAFT 1	8	UR BROWN
4	62Y-11416-20-00	PLANE BEARING, CRANKSHAFT 1	8	UR BLUE
4	62Y-11416-10-00	PLANE BEARING, CRANKSHAFT 1	8	UR BLACK
5	62Y-11650-10-00	CONNECTING ROD ASSY	3	
6	62Y-11654-00-00	.BOLT, CONNECTING ROD	2	
7	62Y-11656-00-00	PLANE BEARING, CONNECTING ROD	6	UR BROWN
7	62Y-11656-20-00	PLANE BEARING, CONNECTING ROD	6	UR BLUE
7	62Y-11656-10-00	PLANE BEARING, CONNECTING ROD	6	UR BLACK
8	65W-11631-00-96	PISTON (STD)	3	
8	65W-11636-00-00	PISTON (0.50MM O/S)	3	AP
8	65W-11635-00-00	PISTON (0.25MM O/S)	3	AP
9	67C-11603-00-00	PISTON RING SET (STD)	3	
9	67C-11604-00-00	PISTON RING SET (0.25MM O/S)	3	AP
9	67C-11605-00-00	PISTON RING SET (0.50MM O/S)	3	AP
10	62Y-11633-00-00	PIN, PISTON	3	
11	93450-17129-00	CIRCLIP	6	

F40BMJH 0408 / CYLINDER CRANKCASE 2



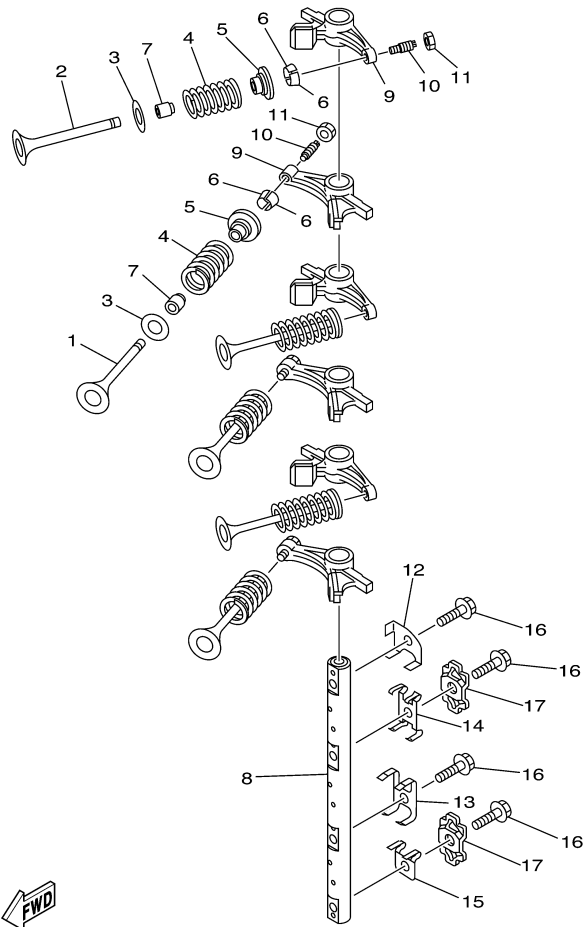
©2014 Yamaha Motor Corporation, U.S.A. All rights reserved.

Part List

F40BMJH 0408 / CYLINDER CRANKCASE 2

REF - NO	PART NUMBER	PART NAME	QUANTITY	REMARKS
1	67C-W009A-13-1S	CYLINDER HEAD COMPLETE	1	
2	67C-11111-20-1S	HEAD, CYLINDER 1	1	
3	62Y-11133-30-00	.GUIDE, VALVE 1	6	
4	93450-09M01-00	.CIRCLIP	6	
5	62Y-11325-00-00	ANODE	3	
6	66M-11328-00-00	GROMMET, ANODE	3	
7	66M-11327-00-94	COVER, ANODE	3	
8	66M-12535-00-00	PLATE	3	
9	97095-05012-00	BOLT	3	
10	92995-05600-00	WASHER	3	
11	97095-06020-00	BOLT	3	
12	92995-06600-00	WASHER	3	
13	90430-06014-00	.GASKET	1	
14	90109-06M65-00	BOLT	1	
15	67C-11181-01-00	.GASKET, CYLINDER HEAD 1	1	
16	99530-08012-00	PIN, DOWEL	2	
17	90119-09M00-00	BOLT, WITH WASHER	8	
18	90119-06MA3-00	BOLT, WITH WASHER	4	
19	67C-11191-00-1S	COVER, CYLINDER HEAD 1	1	
20	62Y-14485-00-00	.PIPE, JOINT	1	
21	67C-11356-00-00	.SEAL, CYLINDER 2	1	
22	97095-06020-00	BOLT	7	
23	92995-06600-00	WASHER	7	
24	67C-11168-00-00	COVER, BREATHER	1	
25	98507-04010-00	SCREW, PAN HEAD	4	
26	92907-04600-00	WASHER	4	
27	97095-06010-00	BOLT	3	
28	90430-06014-00	.GASKET	3	
29	6G8-15363-00-00	PLUG, OIL	1	
30	93210-24M79-00	.O-RING	1	
31	62Y-12138-40-00	MARK, CAUTION	1	
32	NGK-DPR6E-A9-00	PLUG, SPARK (NGK DPR6EA-9)	3	

F40BMJH 0408 / VALVE



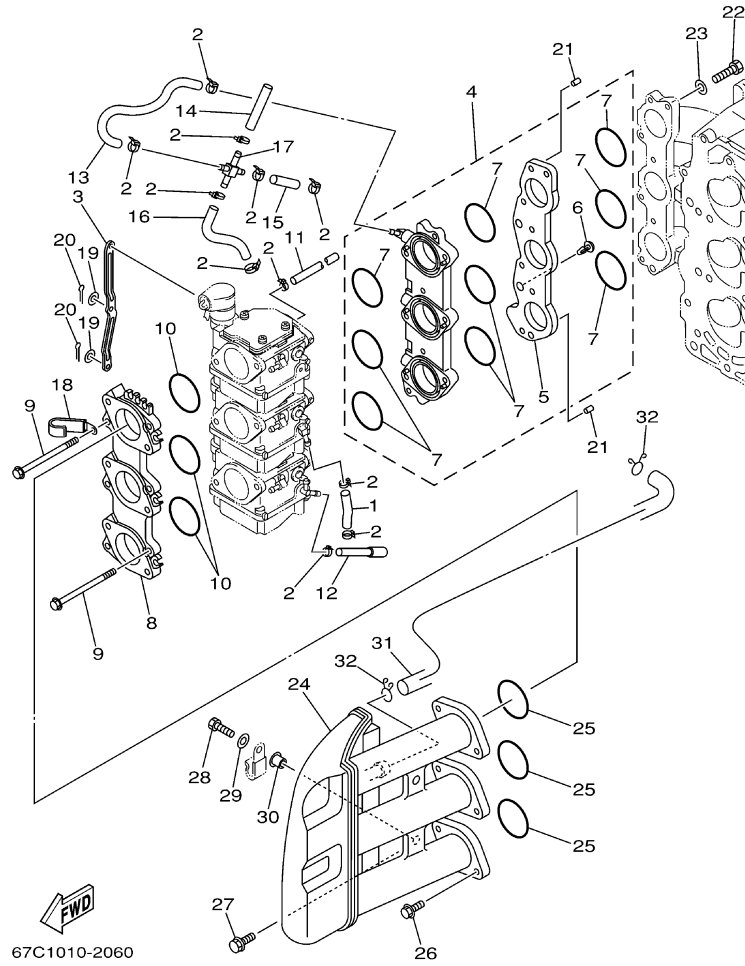
67C1010-2051

Part List

F40BMJH 0408 / VALVE

REF - NO	PART NUMBER	PART NAME	QUANTITY	REMARKS
1	67C-12111-00-00	VALVE, INTAKE	3	
2	62Y-12121-00-00	VALVE, EXHAUST	3	
3	62Y-12116-00-00	SEAT, VALVE SPRING	6	
4	51Y-12114-00-00	SPRING, VALVE OUTER	6	
5	30X-12117-00-00	RETAINER, VALVE SPRING	6	
6	30X-12118-00-00	LOCK, VALVE SPRING RETAINER	12	
7	51Y-12119-00-00	SEAL, VALVE STEM	6	
8	67C-12146-00-00	SHAFT, ROCKER	1	
9	65W-12151-00-00	ARM, VALVE ROCKER	6	
10	62Y-12159-00-00	SCREW, VALVE ADJUSTING	6	
11	62Y-12158-00-00	NUT, LOCK	6	
12	64J-12238-00-00	PLATE, BOLT STOPPER	1	
13	64J-12279-00-00	PLATE	1	
14	62Y-12216-00-00	SPRING	1	
15	67C-12113-00-00	SPRING, VALVE INNER	1	
16	90109-08M63-00	BOLT	4	
17	62Y-12231-00-00	GUIDE, STOPPER 1	2	

F40BMJH 0408 / INTAKE



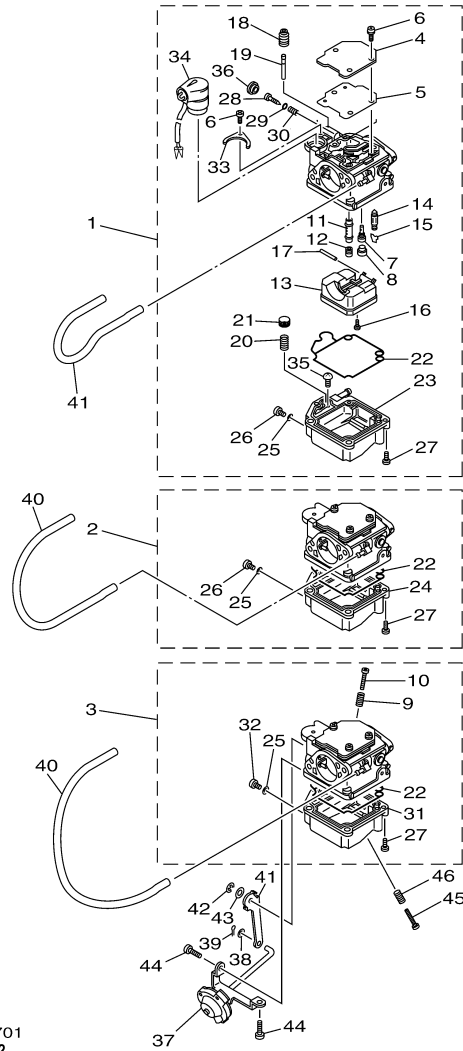
©2014 Yamaha Motor Corporation, U.S.A. All rights reserved.

Part List

F40BMJH 0408 / INTAKE

REF - NO	PART NUMBER	PART NAME	QUANTITY	REMARKS
1	90445-09M34-00	HOSE	1	
2	90465-11M10-00	CLAMP	11	
3	67C-14585-00-00	LINK, ACCEL.	1	
4	67C-13589-00-00	CARBURETOR JOINT COMP.	1	
5	67C-14271-00-00	.INSULATOR	1	
6	90338-04M17-00	.PLUG	2	
7	67C-14561-00-00	.O-RING	9	
8	67C-14243-01-94	PLATE	1	
9	97595-06590-00	BOLT, WITH WASHER	6	
10	67C-14562-00-00	.O-RING	3	
11	67C-13971-00-00	PIPE, FUEL 1	1	
12	67C-13972-00-00	PIPE, FUEL 2	1	
13	67C-13973-00-00	PIPE, FUEL 3	1	
14	67C-13974-00-00	PIPE, FUEL 4	1	
15	67C-13975-00-00	PIPE, FUEL 5	1	
16	67C-13976-00-00	PIPE, FUEL 6	1	
17	67C-14318-00-00	PIPE, JOINT 4	1	
18	67C-14255-00-00	CLAMP	1	
19	92990-04600-00	WASHER, PLATE	2	
20	91490-06012-00	PIN. COTTER	2	
21	93608-16M16-00	PIN, DOWEL	2	
22	97095-06025-00	BOLT	6	
23	92995-06600-00	WASHER	6	
24	67C-14440-00-00	SILENCER ASSY, INTAKE	1	
25	93210-34MJ6-00	.O-RING	3	
26	90119-06M82-00	BOLT, WITH WASHER	5	
27	90119-06M86-00	BOLT, WITH WASHER	1	
28	97095-06020-00	BOLT	2	
29	92995-06600-00	WASHER	2	
30	90387-06M70-00	COLLAR	2	
31	67C-15373-00-00	PIPE, BREATHER	1	
32	90467-15M14-00	CLIP	2	

F40BMJH 0408 / CARBURETOR




67C210030701
Rev. 3-16-2012


Part List

F40BMJH 0408 / CARBURETOR

REF - NO	PART NUMBER	PART NAME	QUANTITY	REMARKS
1	67C-14901-13-00	CARBURETOR ASSY 1	1	
2	67C-14902-13-00	CARBURETOR ASSY 2	1	
3	67C-14903-13-00	CARBURETOR ASSY 3	1	
4	65W-14572-00-00	.PLATE	3	
5	65W-14126-10-00	.GASKET	3	
6	97803-04010-00	.SCREW, PAN HEAD	13	
7	67C-14948-02-00	.JET (#38)	3	
8	679-14966-00-00	.RUBBER CAP	3	
9	90501-10326-00	.SPRING, COMPRESSION	1	#3
10	63V-14523-00-00	.SCREW, STOP	1	#3
11	67C-14948-01-00	.JET (#35)	3	
12	67C-14943-25-00	.JET, MAIN (#95)	3	
13	63V-14985-00-00	.FLOAT	3	
14	6AH-14546-00-00	..VALVE, NEEDLE	3	
15	663-14159-00-00	..CLIP	3	
16	98580-04008-00	..SCREW, PAN HEAD	3	
17	6H4-14548-00-00	..PIN, FLOAT ARM	3	
18	65W-14373-01-00	..COVER, PLUNGER CAP	3	
19	67C-14379-10-00	..ROD, STARTER	3	
20	65W-14335-00-00	..SPRING, PLUNGER	3	
21	67C-14371-00-00	..PLUNGER, STARTER	3	
22	65W-14384-00-00	..GASKET, FLOAT CHAMBER	3	
23	67C-14980-00-00	..BODY, FLOAT CHAMBER	1	#1
24	67C-14981-00-00	..BODY, FLOAT CHAMBER	1	#2
25	65W-14398-00-00	..GASKET	3	
26	65W-14992-00-00	..SCREW, DRAIN	2	#1,2
27	97980-04114-00	..SCREW, WITH WASHER	12	
28	67C-14923-00-00	..SCREW, PILOT	3	
29	67C-14397-00-00	..O-RING	3	
30	67C-14555-00-00	..SPRING	3	
31	67C-14982-00-00	..BODY, FLOAT CHAMBER	1	#3
32	67C-14992-00-00	..SCREW, DRAIN	1	#3
33	65W-14346-00-00	..PLATE	1	
34	67C-14380-00-00	..PRIME STARTER ASSY	1	
35	67C-14567-00-00	..SCREW	3	
36	67C-1432A-10-00	..PLUG	3	
37	67C-14369-00-00	DIAPHRAGM ASSY 2	1	
38	92990-04600-00	WASHER, PLATE	1	
39	91490-06012-00	PIN. COTTER	1	
40	67C-13974-00-00	PIPE, FUEL 4	3	
41	67C-14974-00-00	LEVER, CONNECT	1	
42	67C-14356-00-00	CLIP	1	
43	67C-14398-00-00	WASHER	1	
44	67C-14325-00-00	SCREW, PAN HEAD	2	
45	67C-14245-00-00	SCREW, STOP	1	
46	67C-14242-00-00	SPRING	1	

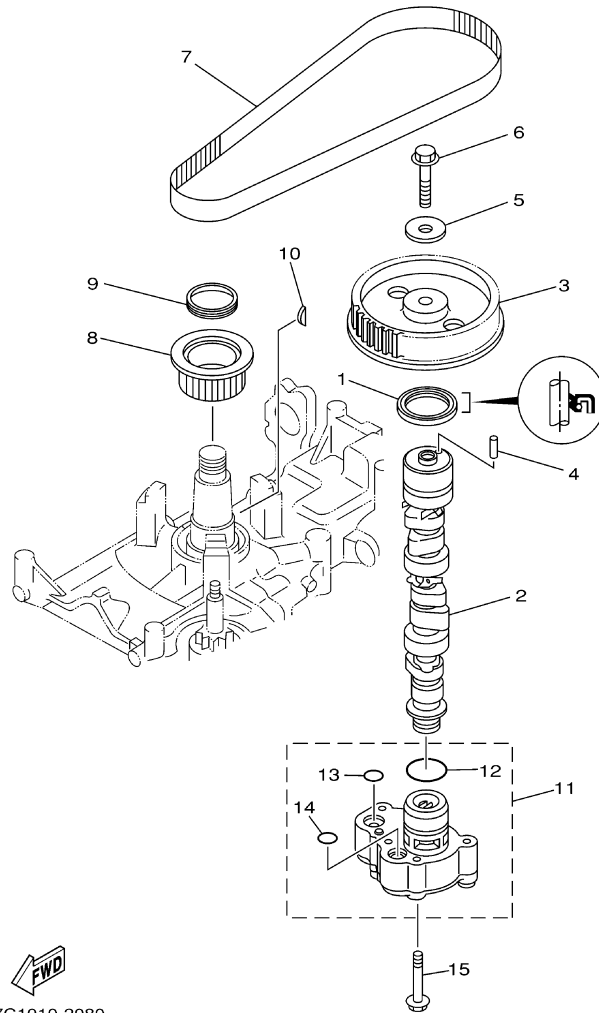
Part Notes

F40BMJH 0408 / CARBURETOR

PART NUMBER	NOTE TEXT
67C-14380-00-00	 OEM: The O-Ring for sealing this part to the carburetor body is not shown separately. The Part Number for the O-Ring is 93210-17001-00.

©2014 Yamaha Motor Corporation, U.S.A. All rights reserved.

F40BMJH 0408 / OIL PUMP



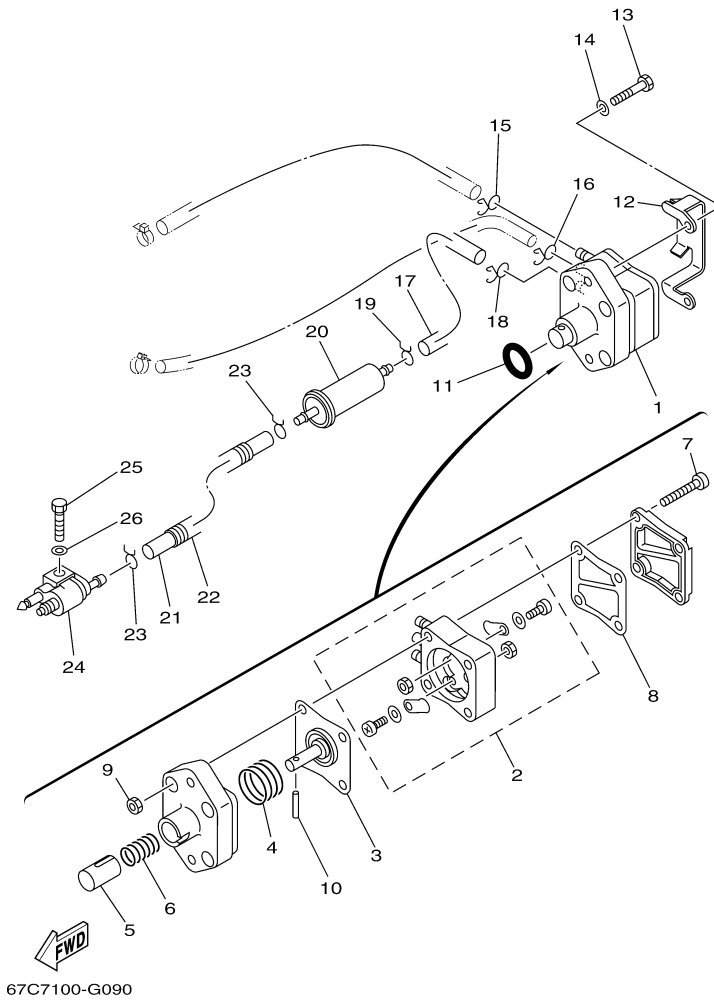
67C1010-2080

Part List

F40BMJH 0408 / OIL PUMP

REF - NO	PART NUMBER	PART NAME	QUANTITY	REMARKS
1	93102-37M40-00	.OIL SEAL	1	
2	67C-12170-12-00	CAMSHAFT ASSY 1	1	
3	67C-11537-01-00	GEAR, DRIVEN	1	
4	93605-14143-00	PIN, DOWEL	1	
5	90201-10M06-00	WASHER, PLATE	1	
6	95895-10040-00	BOLT, FLANGE	1	
7	65W-46241-00-00	V-BELT	1	
8	65W-11536-10-00	GEAR, DRIVE	1	
9	65W-11476-00-00	SPRING	1	
10	90280-04M06-00	KEY, WOODRUFF	1	
11	69W-13300-00-00	OIL PUMP ASSY	1	
12	93210-33MH2-00	.O-RING	1	
13	93210-12MG9-00	.O-RING	1	
14	93210-14515-00	.O-RING	1	
15	90119-06025-00	BOLT, WITH WASHER	4	

F40BMJH 0408 / FUEL 1



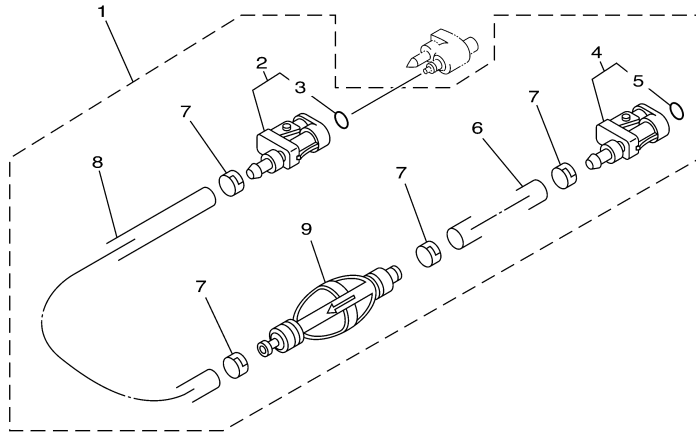
©2014 Yamaha Motor Corporation, U.S.A. All rights reserved.

Part List

F40BMJH 0408 / FUEL 1

REF - NO	PART NUMBER	PART NAME	QUANTITY	REMARKS
1	62Y-24410-04-00	FUEL PUMP ASSY	1	
2	62Y-24415-01-00	.BODY 4	1	
3	62Y-24411-02-00	.DIAPHRAGM	1	
4	62Y-24423-00-00	.SPRING, DIAPHRAGM	1	
5	62Y-13131-01-00	.PLUNGER	1	
6	62Y-24454-00-00	.SPRING	1	
7	62Y-24444-01-00	.SCREW	4	
8	6C5-24471-00-00	.DIAPHRAGM	1	
9	95380-05600-00	.NUT	4	
10	62Y-24374-01-00	.PIN	1	
11	93210-24M79-00	.O-RING	1	
12	65W-24474-00-00	COVER	1	
13	97095-06030-00	BOLT	2	
14	92995-06600-00	WASHER	2	
15	90467-10M04-00	CLIP	1	
16	90467-09M17-00	CLIP	1	
17	90445-10MG6-00	HOSE (L180)	1	
18	90467-10M04-00	CLIP	1	
19	90467-09M03-00	CLIP	1	
20	65W-24251-10-00	STRAINER 1	1	
21	90445-10MH8-00	HOSE (L430)	1	
22	90446-14M12-00	HOSE	1	
23	90467-09M03-00	CLIP	2	
24	6G1-24304-02-00	FUEL PIPE JOINT COMP. 1	1	
25	97095-06025-00	BOLT	1	
26	92995-06600-00	WASHER	1	

F40BMJH 0408 / FUEL 2



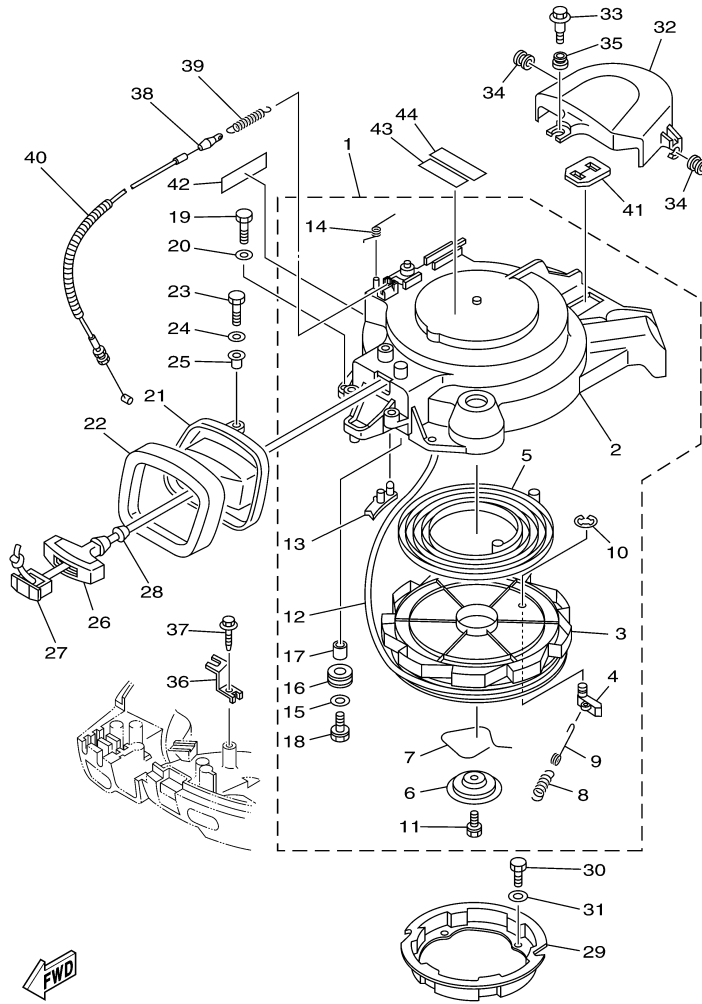
©2014 Yamaha Motor Corporation, U.S.A. All rights reserved.

Part List

F40BMJH 0408 / FUEL 2

REF - NO	PART NUMBER	PART NAME	QUANTITY	REMARKS
1	6Y2-24306-56-00	FUEL PIPE COMP. 1	1	AP
2	6E5-24305-06-00	.FUEL PIPE JOINT COMP 2	1	
3	93210-08287-00	..O-RING	1	
4	6Y2-24305-06-00	.FUEL PIPE JOINT COMP 2	1	
5	93210-08287-00	..O-RING	1	
6	90445-13M01-00	.HOSE (L2050)	1	
7	6E5-24351-51-00	.BAND 1	4	
8	90445-13M00-00	.HOSE (L850)	1	
9	6Y2-24360-60-00	.PRIMER PUMP ASSY	1	

F40BMJH 0408 / STARTER



©2014 Yamaha Motor Corporation, U.S.A. All rights reserved.


Part List

F40BMJH 0408 / STARTER

REF - NO	PART NUMBER	PART NAME	QUANTITY	REMARKS
1	67C-15710-00-00	STARTER ASSY	1	
2	67C-15711-00-00	.CASE, STARTER	1	
3	66T-15714-00-00	.DRUM, SHEAVE	1	
4	63V-15741-00-00	.PAWL, DRIVE	1	
5	66T-15713-00-00	.SPRING, STARTER	1	
6	66T-15716-00-00	.PLATE, DRIVE	1	
7	66T-15705-00-00	.SPRING, DRIVE PAWL	1	
8	66T-15767-00-00	.SPRING	1	
9	66T-15784-00-00	.SPRING, RETURN	1	
10	63V-15744-00-00	.CIRCLIP	1	
11	63V-15768-00-00	.BOLT	1	
12	90890-44373-00	.ROPE, STARTER	1	UNAVAILABLE-OBTAIN LOCALLY, CUT TO 1.8M
13	66T-15794-00-00	.STOPPER	1	
14	66T-15734-00-00	.SPRING, RETURN	1	
15	6F5-15791-00-00	.WASHER, LOCK	1	
16	6F5-15752-00-00	.ROLLER, WIRE	1	
17	6F5-15753-00-00	.BUSH	1	
18	97523-06425-00	.BOLT, WITH WASHER	1	
19	97095-06025-00	BOLT	4	
20	92995-06600-00	WASHER	4	
21	67C-15758-00-00	GUIDE, ROPE	1	
22	67C-15762-00-00	SEAL, RUBBER 2	1	
23	97095-06025-00	BOLT	3	
24	92995-06600-00	WASHER	3	
25	90387-06M89-00	COLLAR	1	
26	689-15755-01-00	.HANDLE, STARTER	1	
27	6F5-15779-02-00	.COVER	1	
28	6A0-15789-00-00	.DAMPER	1	
29	67C-15723-00-00	PULLEY, STARTER	1	
30	97095-06010-00	BOLT	4	
31	92995-06600-00	WASHER	4	
32	67C-46297-00-00	COVER, DUST	1	
33	90109-06MA1-00	BOLT	1	
34	90480-10M16-00	.GROMMET	2	
35	90480-12072-00	GROMMET	1	
36	66M-15774-00-00	STAY 4	1	
37	90109-06M86-00	BOLT	1	
38	67C-15770-00-00	CABLE COMP., STARTER STOP	1	
39	66T-15731-00-00	.SPRING, RETURN	1	
40	90446-10M86-00	HOSE (L140)	1	
41	65W-81639-10-00	PLATE, ARMATURE FITTING	1	
42	62Y-13437-42-00	MARK, CAUTION	1	
43	6AH-81995-40-00	LABEL, WARNING	1	
44	6AH-81994-40-00	LABEL, SAFETY	1	

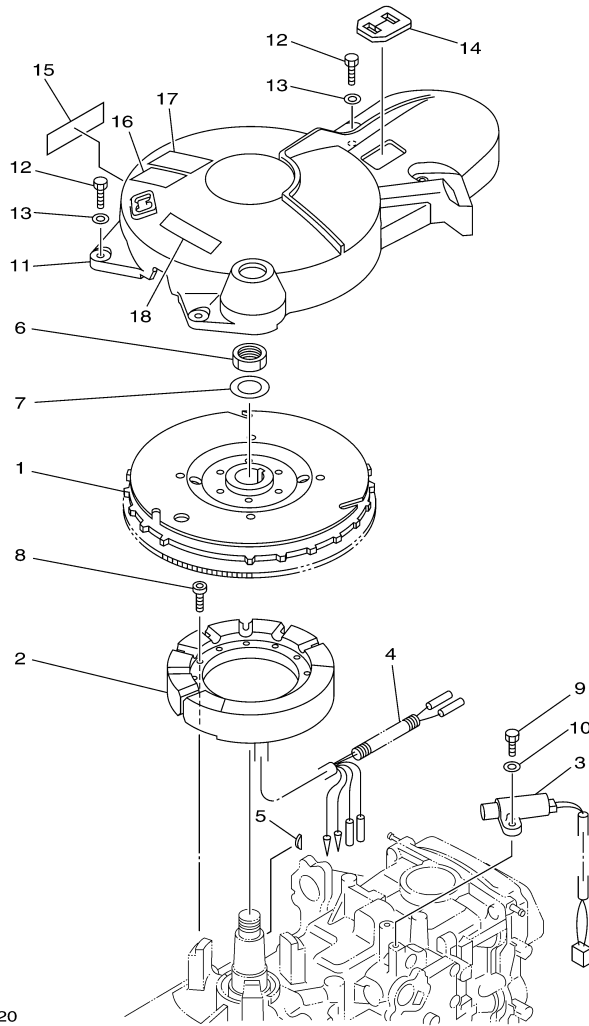
Part Notes

F40BMJH 0408 / STARTER

PART NUMBER	NOTE TEXT
90480-12072-00 	OEM: GROMMET used on F115TLR and F/LF115TXR 0410 Production and Earlier

©2014 Yamaha Motor Corporation, U.S.A. All rights reserved.

F40BMJH 0408 / GENERATOR




67C7110-G120

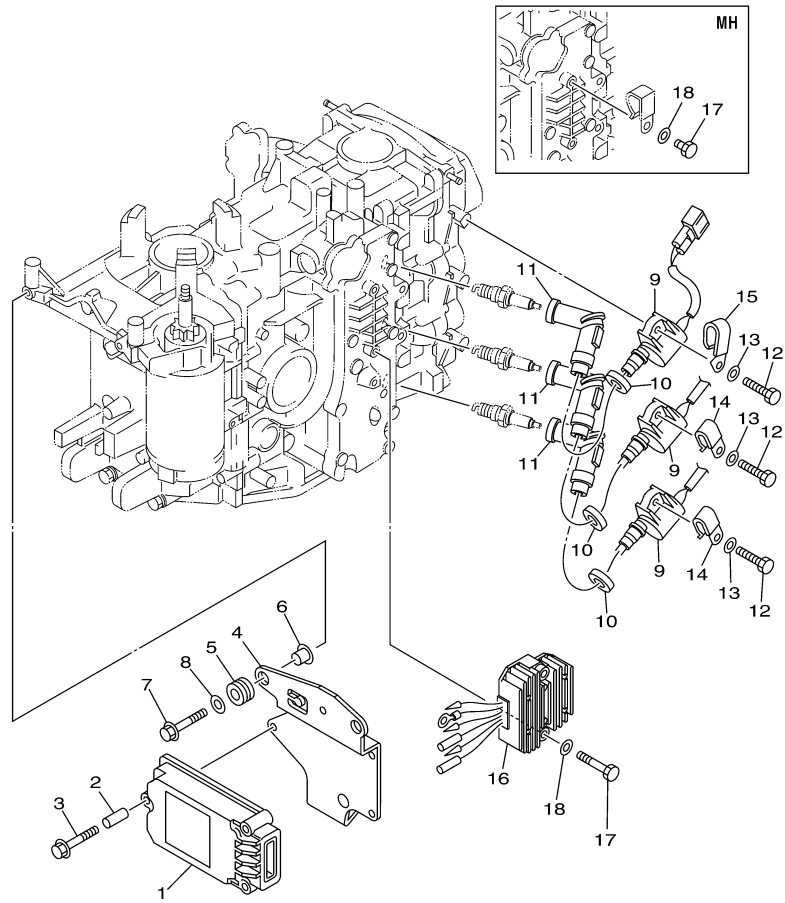
©2014 Yamaha Motor Corporation, U.S.A. All rights reserved.

Part List

F40BMJH 0408 / GENERATOR

REF - NO	PART NUMBER	PART NAME	QUANTITY	REMARKS
1	65W-85550-01-00	ROTOR ASSY	1	
2	65W-85510-10-00	STATOR ASSY	1	
3	65W-85580-00-00	COIL, PULSER	1	
4	90446-10M82-00	HOSE	1	
5	65W-11545-00-00	KEY, WOODRUFF	1	
6	90170-20137-00	NUT	1	
7	90201-21M18-00	WASHER, PLATE	1	
8	91380-05030-00	BOLT	3	
9	97095-05016-00	.BOLT	2	
10	92995-05600-00	WASHER	2	

F40BMJH 0408 / ELECTRICAL 1



67C3110-C130

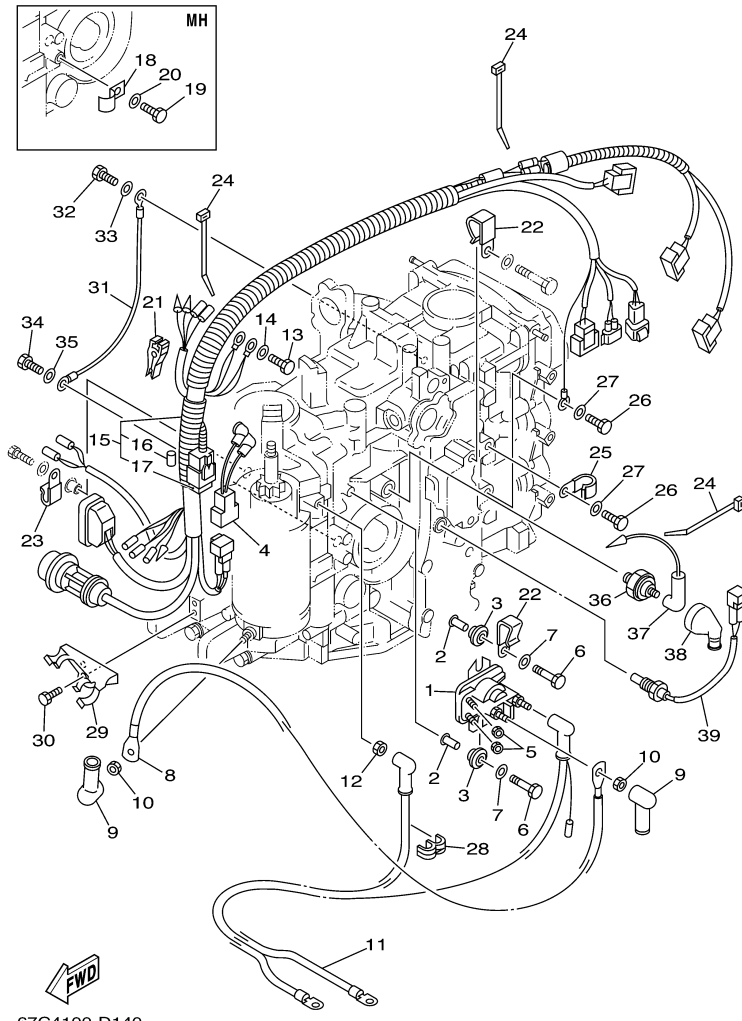
©2014 Yamaha Motor Corporation, U.S.A. All rights reserved.

Part List

F40BMJH 0408 / ELECTRICAL 1

REF - NO	PART NUMBER	PART NAME	QUANTITY	REMARKS
1	67C-85540-01-00	C.D.I. UNIT ASSY	1	
2	65W-86129-00-00	COLLAR	3	
3	65W-8252V-00-00	SCREW, SPECIAL	3	
4	67C-85542-00-00	BRACKET	1	
5	65W-85547-00-00	DAMPER	3	
6	65W-86129-10-00	COLLAR	3	
7	67C-8252V-00-00	BOLT, FLANGE (M6X25)	3	
8	67C-85554-00-00	WASHER, ROTOR	3	
9	67C-85570-00-00	IGNITION COIL ASSY	3	
10	90480-25161-00	GROMMET	3	
11	6G8-82370-30-00	PLUG CAP ASSY	3	
12	97095-06020-00	BOLT	3	
13	92995-06600-00	WASHER	3	
14	90465-06M90-00	CLAMP	2	
15	90465-06M88-00	CLAMP	1	
17	97095-06012-00	BOLT	1	
18	92995-06600-00	WASHER	1	

F40BMJH 0408 / ELECTRICAL 2



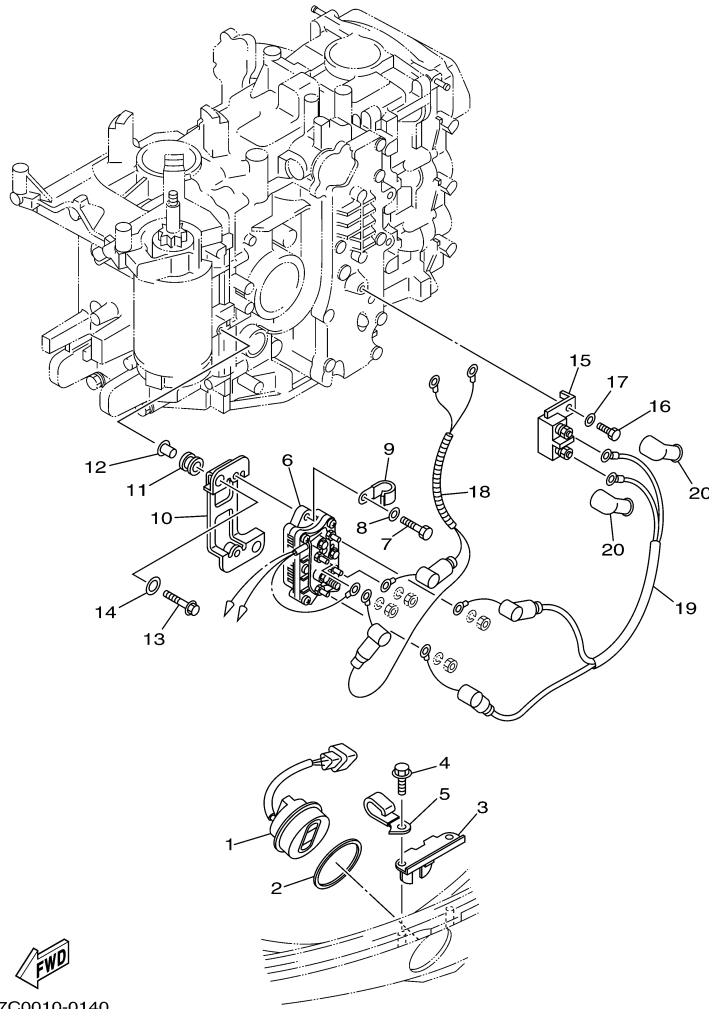
©2014 Yamaha Motor Corporation, U.S.A. All rights reserved.

Part List

F40BMJH 0408 / ELECTRICAL 2

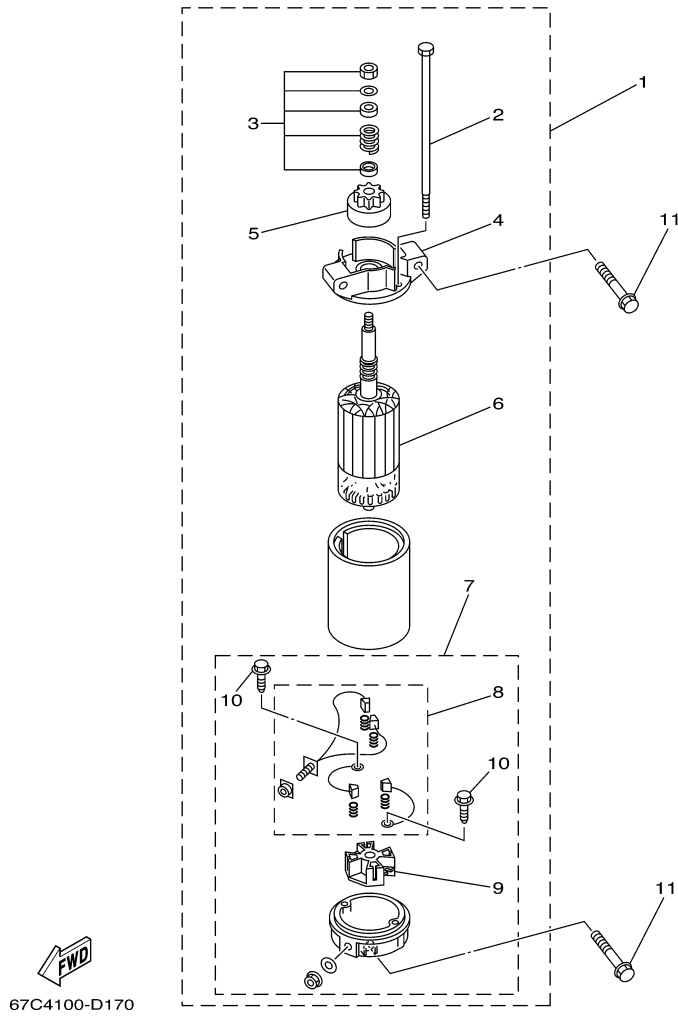
REF - NO	PART NUMBER	PART NAME	QUANTITY	REMARKS
15	67C-82590-00-00	WIRE HARNESS ASSY	1	
18	90465-08M63-00	CLAMP	1	
19	97095-06012-00	BOLT	1	
20	92995-06600-00	WASHER	1	
22	90465-05M87-00	CLAMP	2	
23	90465-06M90-00	CLAMP	1	
24	90465-13M18-00	CLAMP	3	
25	90465-08M75-00	CLAMP	1	
26	97095-06012-00	BOLT	3	
27	92995-06600-00	WASHER	3	
31	67C-82519-00-00	WIRE, EARTH LEAD	1	
32	97095-08012-00	BOLT	1	
33	92995-08600-00	WASHER	1	
34	97095-06012-00	BOLT	1	
35	92995-06600-00	WASHER	1	
36	65W-82504-00-00	OIL PRESSURE SWITCH ASSY	1	
37	65W-82127-00-00	WIRE, LEAD 2	1	
38	65W-82532-00-00	CAP	1	
39	67C-85790-00-00	THERMOSENSOR ASSY	1	

F40BMJH 0408 / ELECTRICAL 3



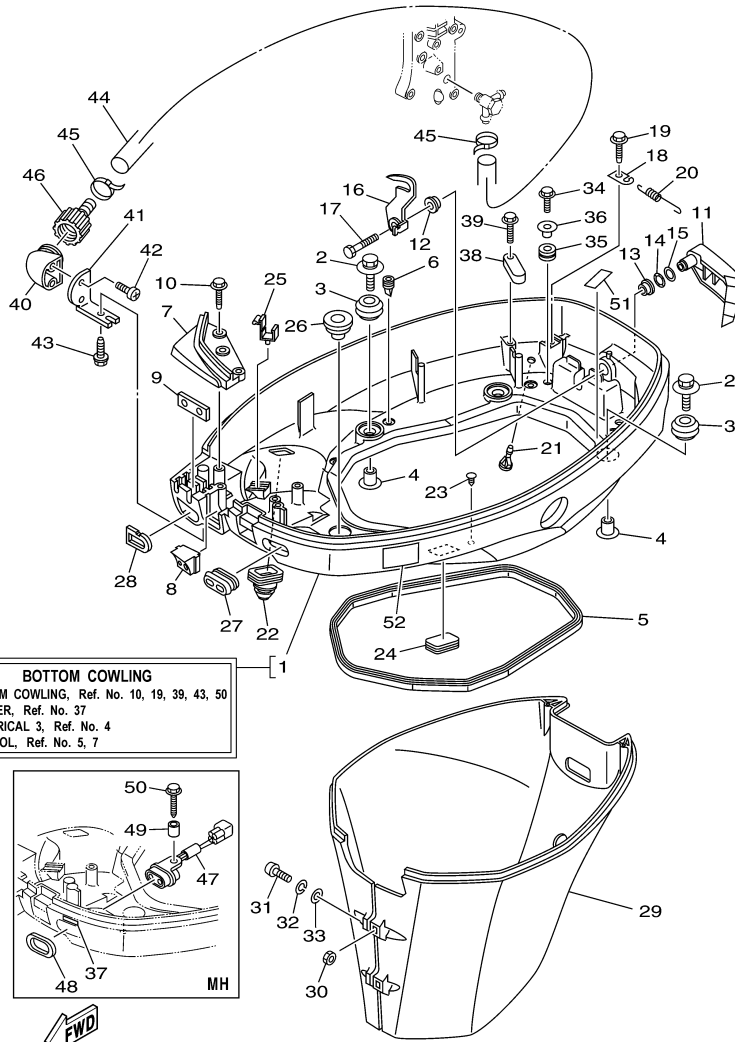
©2014 Yamaha Motor Corporation, U.S.A. All rights reserved.

F40BMJH 0408 / STARTING MOTOR

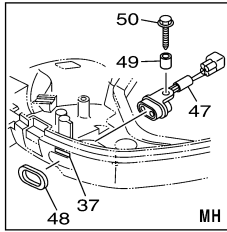


©2014 Yamaha Motor Corporation, U.S.A. All rights reserved.

F40BMJH 0408 / BOTTOM COWLING



BOTTOM COWLING
 BOTTOM COWLING, Ref. No. 10, 19, 39, 43, 50
 STARTER, Ref. No. 37
 ELECTRICAL 3, Ref. No. 4
 CONTROL, Ref. No. 5, 7



67C7110-G170


Part List

F40BMJH 0408 / BOTTOM COWLING

REF - NO	PART NUMBER	PART NAME	QUANTITY	REMARKS
1	67C-42710-02-4D	BOTTOM COWLING ASSY	1	WITH TAPPING BOLT
2	90119-06M08-00	BOLT, WITH WASHER	4	
3	90480-09M12-00	GROMMET	4	
4	90387-06060-00	COLLAR	4	
5	62Y-42716-00-00	RUBBER, SEAL 1	1	
6	65W-42717-00-00	RUBBER, SEAL 2	4	
7	67C-42738-00-4D	PLATE, FITTING	1	
8	67C-42725-00-00	GROMMET	1	
9	62Y-42727-00-00	GROMMET	1	
10	90109-06M81-00	BOLT	3	
11	67C-42815-00-4D	LEVER, CLAMP	1	
12	90386-12M37-00	BUSH	1	
13	90386-12MA2-00	BUSH	1	
14	90206-12052-00	WASHER, WAVE	1	
15	90201-12M07-00	WASHER, PLATE	1	
16	67C-42816-01-00	LEVER, CLAMP	1	
17	97095-06012-00	BOLT	1	
18	66T-43144-00-00	HOOK, SPRING	1	
19	90109-06M86-00	BOLT	1	
20	90506-18M40-00	SPRING, TENSION	1	
21	6H3-44391-01-00	NIPPLE, HOSE	1	
22	65W-42724-10-00	GROMMET	1	FLUSHING KIT
23	90338-07004-00	PLUG	1	
24	6H4-42726-00-00	GROMMET	1	
25	90464-09M13-00	CLAMP	1	
26	676-42727-00-00	GROMMET	1	
28	61N-24329-00-00	SEAL	1	
29	67C-42741-00-4D	APRON	1	S(16.1")
30	95380-06600-00	NUT, HEXAGON	2	
31	97880-06025-00	SCREW, PAN HEAD	2	
32	92990-06100-00	.WASHER, SPRING	2	
33	92990-06600-00	WASHER, PLATE	2	
34	90109-06M80-00	.BOLT	2	
35	90480-13M24-00	GROMMET	2	
36	90387-06M43-00	COLLAR	2	
37	67C-85415-00-00	MARK, SIGNAL LAMP	1	
38	6E5-82588-00-00	PLATE	1	
39	90109-06M81-00	BOLT	1	
40	68T-12572-00-00	ADAPTER	1	FLUSHING KIT
41	69W-12535-00-00	PLATE	1	FLUSHING KIT
42	90167-06002-00	SCREW, TAPPING	2	FLUSHING KIT
43	90109-06M80-00	.BOLT	1	FLUSHING KIT
44	67C-24312-00-00	PIPE 2	1	FLUSHING KIT
45	90465-11M10-00	CLAMP	2	FLUSHING KIT
46	6R3-12580-00-00	JOINT ASSY	1	FLUSHING KIT
47	62Y-84301-00-00	PILOT LIGHT ASSY 1	1	
48	6H4-83589-00-00	GASKET	1	
49	90387-06M87-00	COLLAR	1	
50	90109-06MA2-00	BOLT	1	
51	62Y-82377-00-00	LABEL	1	
52	6AH-42794-40-00	LABEL, WARNING (GENERAL)	1	

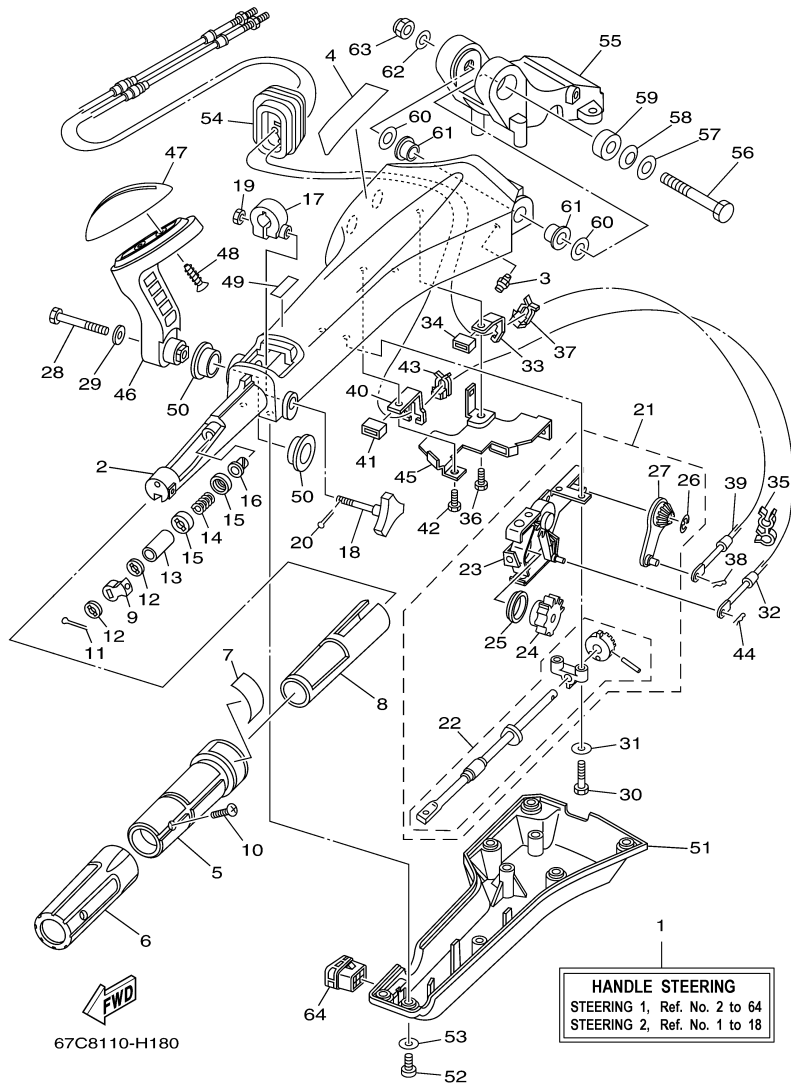
Part Notes

F40BMJH 0408 / BOTTOM COWLING

PART NUMBER		NOTE TEXT
92990-06600-00		OEM: This part number is among the Top 100 Most Popular Marine Maintenance Parts as of March 2014.

©2014 Yamaha Motor Corporation, U.S.A. All rights reserved.

F40BMJH 0408 / STEERING 1



©2014 Yamaha Motor Corporation, U.S.A. All rights reserved.

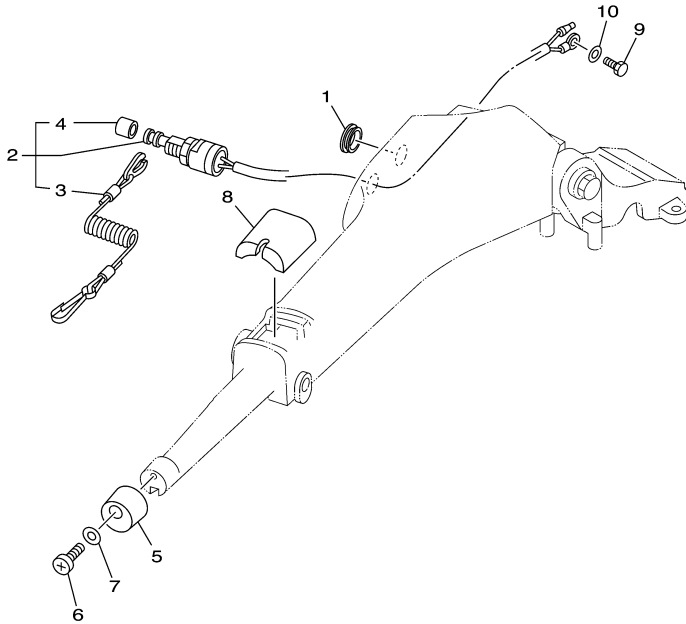
Part List

F40BMJH 0408 / STEERING 1

REF - NO	PART NUMBER	PART NAME	QUANTITY	REMARKS
1	6X4-42101-F2-4D	HANDLE, STEERING	1	
2	6X4-42111-01-4D	HANDLE, STEERING	1	
3	93700-06M03-00	NIPPLE, GREASE	1	
4	6X4-48215-10-00	GRAPHIC	1	
5	6X4-42119-00-00	GRIP, STEERING HANDLE	1	
6	6X4-42177-00-00	RUBBER, HANDLE	1	
7	6X4-42137-00-00	INDICATOR, THROTTLE	1	
8	6X4-41291-00-00	BUSHING	1	
9	6X4-44139-00-00	COLLAR	1	
10	90142-05001-00	SCREW, COUNTERSUNK	1	
11	91490-20010-00	PIN. COTTER	1	
12	6X4-44177-00-00	WASHER	2	
13	6X4-42128-00-00	COLLAR, DISTANCE 1	1	
14	90501-23215-00	SPRING, COMPRESSION	1	
15	6X4-44188-00-00	WASHER	2	
16	90386-08032-00	BUSH	1	
17	63D-42126-00-00	FRICITION, STEERING HANDLE GRIP	1	
18	6X4-48154-00-00	KNOB, THROTTLE	1	
19	95380-06600-00	NUT, HEXAGON	1	
20	91490-20010-00	PIN. COTTER	1	
21	6X4-44100-10-00	SHIFT LINK ASSY	1	
22	6X4-42115-00-00	.SHAFT, STEERING HANDLE	1	
23	6X4-44102-00-00	.SHIFT ASSIST ASSY	1	
24	6X4-47731-00-00	.GEAR, DRIVE	1	
25	6X4-44132-00-00	.BUSHING	1	
26	6X4-14137-00-00	.CLIP	1	
27	6X4-48261-00-00	.ARM, THROTTLE	1	
28	97095-08040-00	BOLT	1	
29	92995-08600-00	WASHER	1	
30	97095-06030-00	BOLT	2	
31	92995-06600-00	WASHER	2	
32	67C-48321-11-00	CABLE	1	
33	6X4-48538-00-00	CLAMP, CABLE 1	1	
34	6X4-26367-00-00	PROTECTOR	1	
35	90464-09M42-00	CLAMP	1	
36	97095-06014-00	BOLT	1	
37	63D-48538-00-00	CLAMP, CABLE 1	1	
38	90468-10005-00	CLIP	1	
39	69W-26301-00-00	THROTTLE CABLE ASSY	1	
40	6X4-48538-10-00	CLAMP, CABLE 1	1	
41	6X4-26367-00-00	PROTECTOR	1	
42	97095-06014-00	BOLT	1	
43	63D-48538-00-00	CLAMP, CABLE 1	1	
44	90468-10005-00	CLIP	1	
45	6X4-42159-00-00	STAY	1	
46	6X4-44159-00-4D	HANDLE, GEAR SHIFT	1	
47	6X4-44173-00-00	LEVER, SHIFT CONTROL	1	
48	97780-60920-00	SCREW, TAPPING	2	
49	6G8-44191-00-00	INDICATOR, SHIFT	1	
50	90386-26MA3-00	BUSH	2	
51	6X4-42131-01-00	COVER, HANDLE STEERING	1	
52	97885-06016-00	SCREW, PAN HEAD	6	
53	92995-06600-00	WASHER	6	

54	6X4-42725-10-00	GROMMET	1	
55	63D-42121-22-4D	BRACKET	1	
56	90101-12014-00	BOLT	1	
57	92990-12200-00	WASHER, PLAIN	1	
58	90206-12M22-00	WASHER, WAVE	1	
59	90387-12M02-00	COLLAR	1	
60	90201-12035-00	WASHER, PLATE	2	
61	90386-12003-00	BUSH	2	
62	92990-12600-00	WASHER, PLATE	1	
63	90185-12M12-00	NUT, SELF-LOCKING	1	
64	6X4-42728-10-00	CAP	1	

F40BMJH 0408 / STEERING 2



67C7110-G190



Part List

F40BMJH 0408 / STEERING 2

REF - NO	PART NUMBER	PART NAME	QUANTITY	REMARKS
1	676-42726-00-00	GROMMET	1	
2	6K5-82575-03-00	ENGINE STOP SWITCH ASSY	1	
3	682-82556-00-00	.LANYARD, STOP SWITCH	1	
4	689-8257Y-00-00	.CAP	1	
5	6X4-42728-00-00	CAP	1	
6	97880-06016-00	SCREW, PAN HEAD	1	
7	92990-06600-00	WASHER, PLATE	1	
8	6X4-81942-00-00	COVER	1	
9	97095-06012-00	BOLT	1	
10	92995-06600-00	WASHER	1	

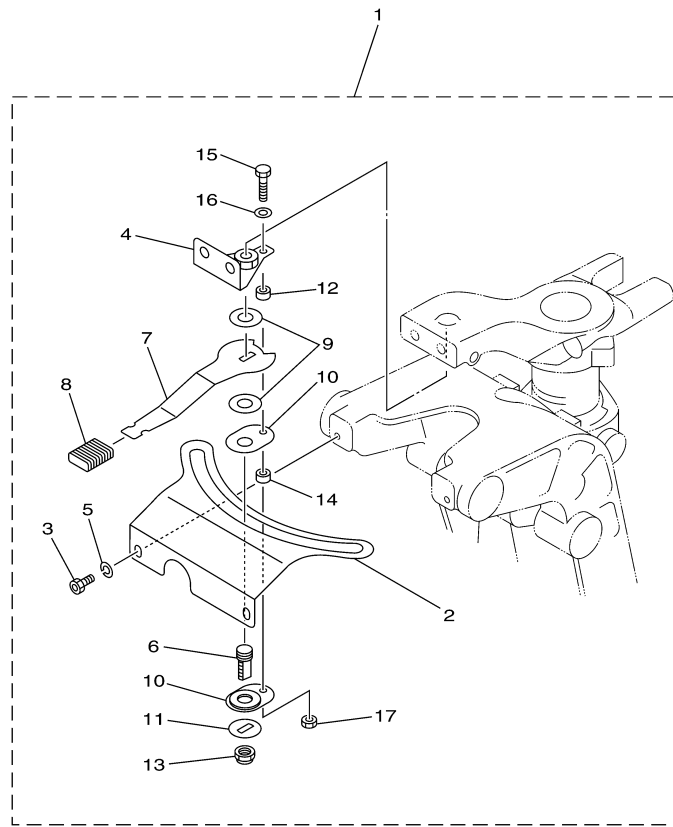
Part Notes

F40BMJH 0408 / STEERING 2

PART NUMBER		NOTE TEXT
682-82556-00-00		OEM: This part number is among the Top 100 Most Popular Marine Maintenance Parts as of March 2014.
92990-06600-00		OEM: This part number is among the Top 100 Most Popular Marine Maintenance Parts as of March 2014.

©2014 Yamaha Motor Corporation, U.S.A. All rights reserved.

F40BMJH 0408 / STEERING FRICTION



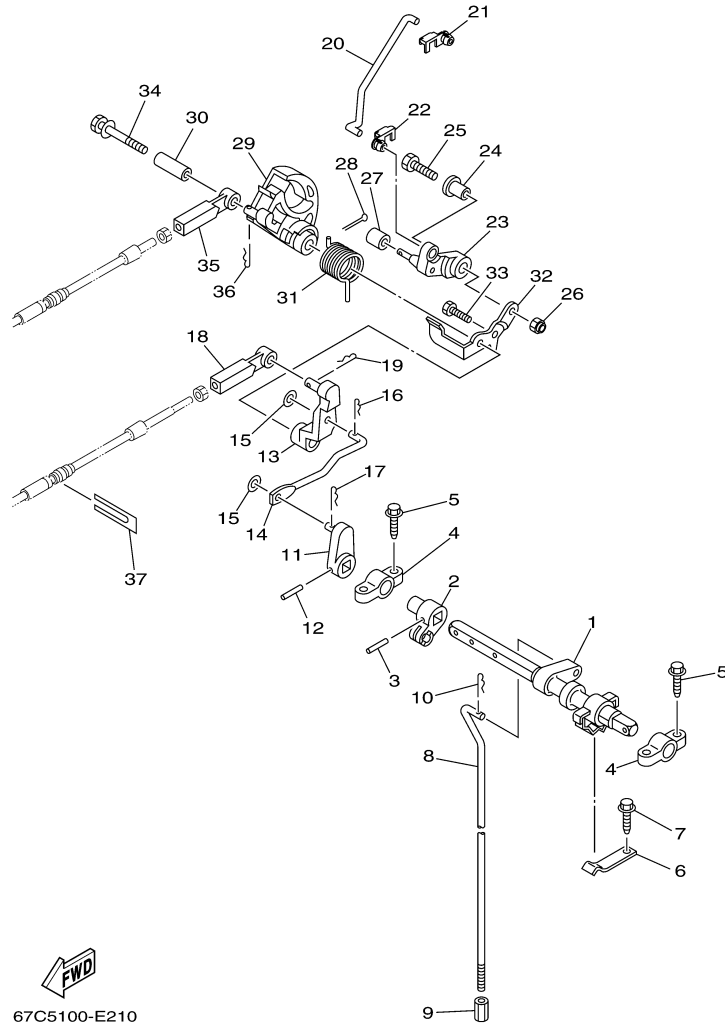
67C3100-C200

Part List

F40BMJH 0408 / STEERING FRICTION

REF - NO	PART NUMBER	PART NAME	QUANTITY	REMARKS
1	67C-42508-03-00	STEERING FRICTION ASSY	1	
2	67C-42527-03-00	.PLATE, FRICTION	1	
3	90109-06M88-00	.BOLT	2	
4	67C-42525-00-00	.PLATE, FRICTION	1	
5	92990-06100-00	.WASHER, SPRING	2	
6	67C-42562-00-00	.SHAFT, STEERING LOCK	1	
7	67C-42561-00-00	.KNOB, STEERING LOCK	1	
8	689-43633-00-00	.COVER, TILT LEVER	1	
9	90202-10M56-00	.WASHER, PLATE	2	
10	65W-42528-00-00	.PLATE, FRICTION	2	
11	90209-10M26-00	.WASHER	1	
12	90387-05M05-00	.COLLAR	1	
13	90185-10M14-00	.NUT, SELF-LOCKING	1	
14	90387-05M11-00	.COLLAR	1	
15	97095-05020-00	.BOLT	1	
16	92995-05600-00	.WASHER	1	
17	95380-05600-00	.NUT	1	

F40BMJH 0408 / CONTROL




67C5100-E210





Part List

F40BMJH 0408 / CONTROL

REF - NO	PART NUMBER	PART NAME	QUANTITY	REMARKS
1	67C-44121-00-00	LEVER, SHIFT ROD	1	
2	66M-44122-00-00	BUSHING, SHIFT ROD LEVER	1	
3	90254-03M05-00	PIN, SPRING	1	
4	6F5-41662-00-00	BRACKET 2	2	
5	90109-06M81-00	BOLT	4	
6	67C-44116-00-00	SPRING	1	
7	90109-06M86-00	BOLT	1	
8	67C-44143-00-00	ROD, SHIFT	1	S(16.1")
9	67C-44146-00-00	CONNECTOR, SHIFT ROD	1	FOR JET-DRIVE
10	90468-18008-00	CLIP	1	
11	65W-44142-00-00	.JOINT	1	
12	90254-03M05-00	PIN, SPRING	1	
13	67C-44125-00-00	LEVER, SHIFT ROD	1	
14	67C-44192-00-00	LINK, SHIFT ROD	1	
15	90201-05M06-00	.WASHER, PLATE	2	
16	90468-10005-00	CLIP	1	
17	90468-18008-00	CLIP	1	
18	67C-48344-00-00	CABLE END, REMOTE CONTROL	1	
19	90468-18008-00	CLIP	1	
20	67C-41241-00-00	ROD, LINK	1	
21	6E9-41237-00-00	JOINT, LINK	1	
22	6F5-41237-00-00	JOINT, LINK	1	
23	67C-41212-00-00	ARM, ACCEL.	1	
24	90387-06M29-00	COLLAR	1	
25	97095-06025-00	BOLT	1	
26	95780-06300-00	NUT, FLANGE	1	
27	62Y-42171-00-00	BUSHING	1	
28	91490-12010-00	PIN. COTTER	1	
29	67C-41213-20-00	CAM, ACCEL.	1	
30	90387-06M88-00	COLLAR	1	
31	90508-20M44-00	SPRING, TORSION	1	
32	67C-44117-00-00	BRACKET	1	
33	97095-06014-00	BOLT	1	
34	90119-06M91-00	BOLT, WITH WASHER	1	
35	67C-48344-10-00	CABLE END, REMOTE CONTROL	1	
36	90468-18008-00	CLIP	1	
37	62Y-48538-00-00	CLAMP, CABLE 1	1	

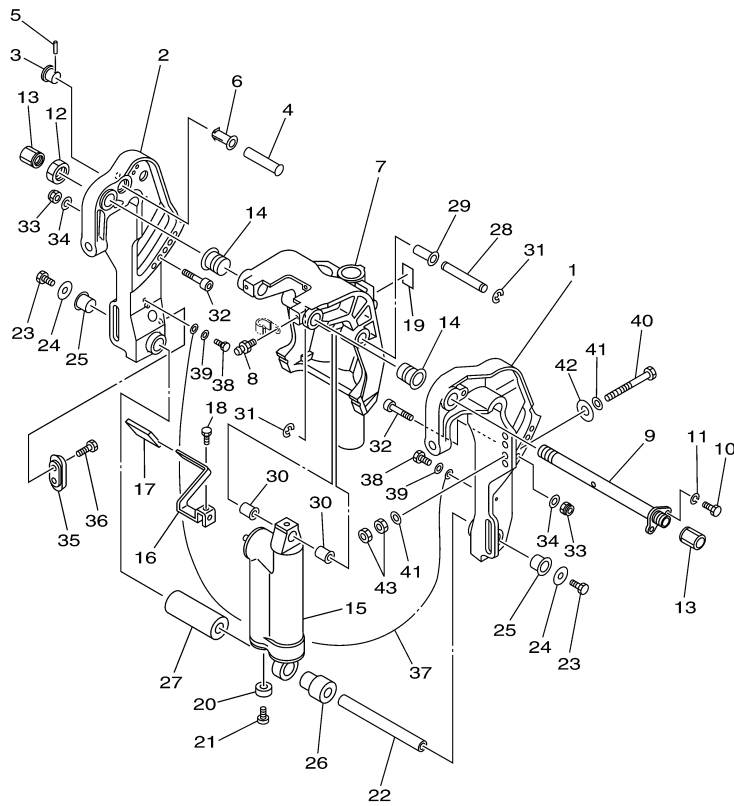
Part Notes

F40BMJH 0408 / CONTROL

PART NUMBER		NOTE TEXT
90468-18008-00		OEM: This part number is among the Top 100 Most Popular Marine Maintenance Parts as of March 2014.
90468-18008-00		OEM: This part number is among the Top 100 Most Popular Marine Maintenance Parts as of March 2014.
90468-18008-00		OEM: This part number is among the Top 100 Most Popular Marine Maintenance Parts as of March 2014.
90468-18008-00		OEM: This part number is among the Top 100 Most Popular Marine Maintenance Parts as of March 2014.

©2014 Yamaha Motor Corporation, U.S.A. All rights reserved.

F40BMJH 0408 / BRACKET 1



67C8110-H220


Part List

F40BMJH 0408 / BRACKET 1

REF - NO	PART NUMBER	PART NAME	QUANTITY	REMARKS
1	67C-43111-10-4D	BRACKET, CLAMP 1	1	
2	67C-43112-10-4D	BRACKET, CLAMP 2	1	
3	65W-43192-00-00	KNOB, STOPPER	1	
4	65W-43191-00-00	SHAFT, STOPPER	1	
5	91690-30018-00	PIN, SPRING	1	
6	90386-14MA1-00	BUSH	1	
7	67C-43311-00-4D	BRACKET, SWIVEL 1	1	S(16.1")
8	93700-06M03-00	NIPPLE, GREASE	1	
9	6K9-43131-01-00	BOLT, CLAMP BRACKET	1	
10	97095-08020-00	BOLT	1	
11	92995-08100-00	WASHER	1	
12	90185-22M11-00	NUT, SELF-LOCKING	1	
13	6G5-43145-01-00	CAP, CLAMP BRACKET	2	
14	90386-22MA4-00	BUSH	2	
15	67C-43107-00-4D	SHOCK ABSORBER SUB-ASSY	1	S(16.1")
16	67C-43631-00-00	LEVER, TILT	1	
17	682-43318-01-00	COVER	1	
18	97095-06010-00	BOLT	1	
19	63D-43691-00-00	INDICATOR, TILT	1	
20	663-45251-00-00	ANODE	1	
21	98680-06525-00	SCREW, OVAL HEAD	1	
22	90249-18M35-00	PIN	1	
23	97080-08016-00	BOLT	2	
24	90201-08M00-00	WASHER, PLATE	2	
25	90386-18M44-00	BUSH	2	
26	90386-18MA5-00	BUSH	1	
27	90387-18M03-00	COLLAR	1	
28	90249-12M38-00	PIN	1	
29	90381-12M10-00	BUSH, SOLID	1	
30	90381-12M11-00	BUSH, SOLID	2	
31	99080-10600-00	CIRCLIP	2	
32	90110-10M02-00	BOLT, HEXAGON SOCKET HEAD	2	
33	90185-10M13-00	NUT, SELF-LOCKING	2	
34	92995-10600-00	WASHER	2	
35	65W-45251-00-00	ANODE	1	
36	90101-06020-00	BOLT	2	
37	67C-82127-20-00	WIRE, LEAD 2	1	
38	97095-06014-00	BOLT	2	
39	92995-06600-00	WASHER	2	
40	90101-12M65-00	BOLT	4	
41	92995-12200-00	WASHER	8	
42	90201-12426-00	WASHER, PLATE	4	
43	95380-12600-00	NUT	8	

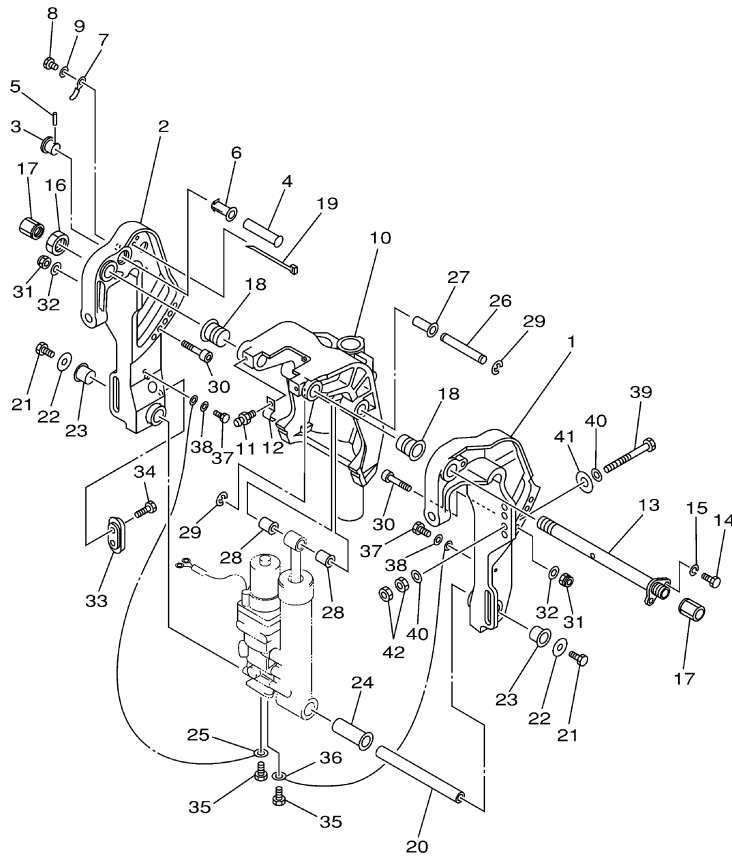
Part Notes

F40BMJH 0408 / BRACKET 1

PART NUMBER	NOTE TEXT
65W-45251-00-00 	OEM: This part number is among the Top 100 Most Popular Marine Maintenance Parts as of March 2014.

©2014 Yamaha Motor Corporation, U.S.A. All rights reserved.

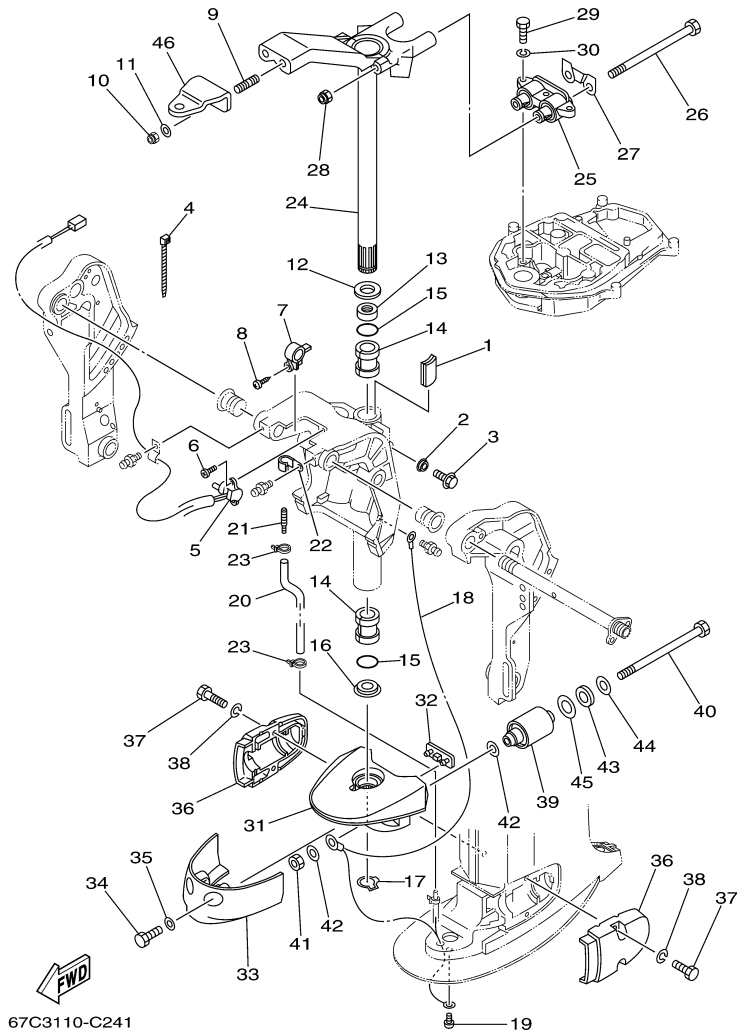
F40BMJH 0408 / BRACKET 2



67C0010-1231

©2014 Yamaha Motor Corporation, U.S.A. All rights reserved.

F40BMJH 0408 / BRACKET 3



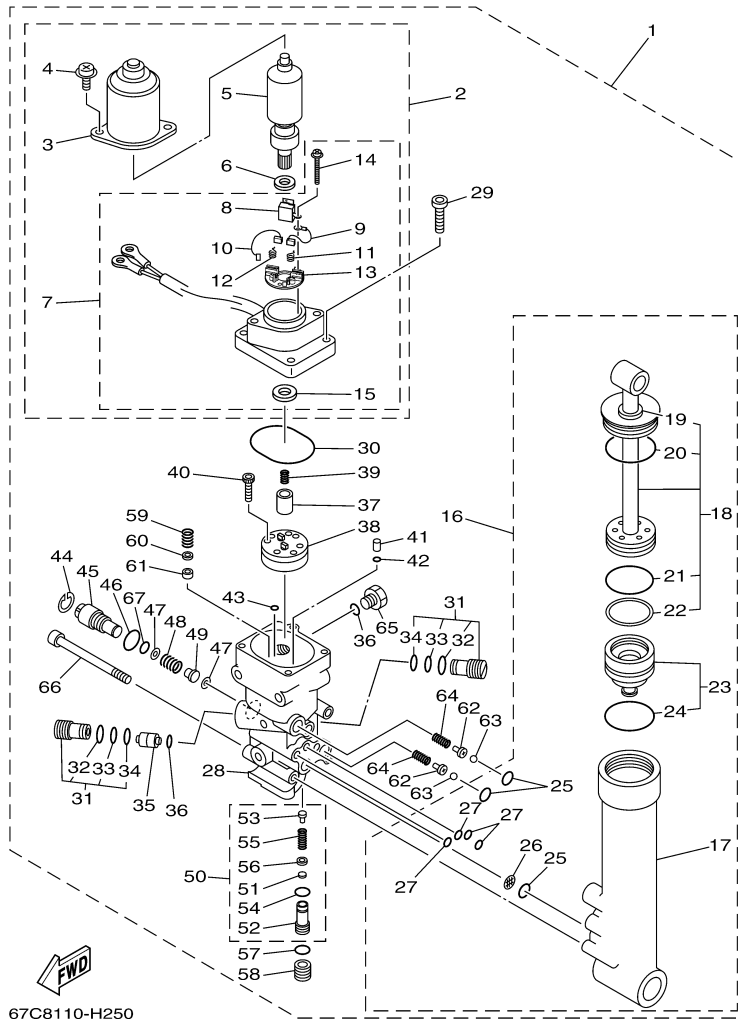
©2014 Yamaha Motor Corporation, U.S.A. All rights reserved.

Part List

F40BMJH 0408 / BRACKET 3

REF - NO	PART NUMBER	PART NAME	QUANTITY	REMARKS
1	6J8-42528-00-00	PLATE, FRICTION	1	
2	689-43373-01-00	SEAL, DAMPER	1	
3	90105-06M18-00	BOLT, FLANGE	1	
9	90116-10M28-00	BOLT, STUD	2	
10	90185-10051-00	NUT, SELF-LOCKING	2	
11	90201-10120-00	.WASHER, PLATE	2	
12	90201-30M00-00	WASHER, PLATE	1	
13	90386-30M78-00	BUSH	1	
14	90386-30M77-00	BUSH	2	
15	93210-29M94-00	O-RING	2	
16	90386-30M60-00	BUSH	1	
17	93410-28M06-00	CIRCLIP	1	
18	67C-82127-00-00	WIRE, LEAD 2	1	S(16.1")
19	97885-06008-00	SCREW, PAN HEAD	1	
24	67C-42510-01-4D	STEERING BRACKET ASSY	1	S(16.1")
25	67C-44514-00-4D	MOUNT DAMPER, UPPER SIDE	1	S(16.1")
26	90101-08M15-00	BOLT	2	
27	66T-44526-30-00	PLATE	1	
28	90185-08045-00	NUT, SELF-LOCKING	2	
29	97075-08030-00	BOLT	3	
30	92995-08100-00	WASHER	3	
31	67C-44551-01-4D	HOUSING, LOWER MOUNT RUBBER	1	S(16.1")
32	67C-44575-00-00	DAMPER, LOWER MOUNT RUBBER	1	
36	67C-44552-01-4D	HOUSING, LOWER MOUNT RUBBER	2	
37	97075-08030-00	BOLT	4	
38	92995-08100-00	WASHER	4	
39	67C-44555-21-94	MOUNT DAMPER, LOWER SIDE	2	S(16.1")
40	90109-12MA3-00	BOLT	2	
41	95380-12700-00	NUT	2	
42	90201-12M16-00	WASHER, PLATE	4	
43	90202-21100-00	WASHER, PLATE	2	
44	90201-13M19-00	WASHER, PLATE	2	
45	90201-22M05-00	WASHER, PLATE	2	

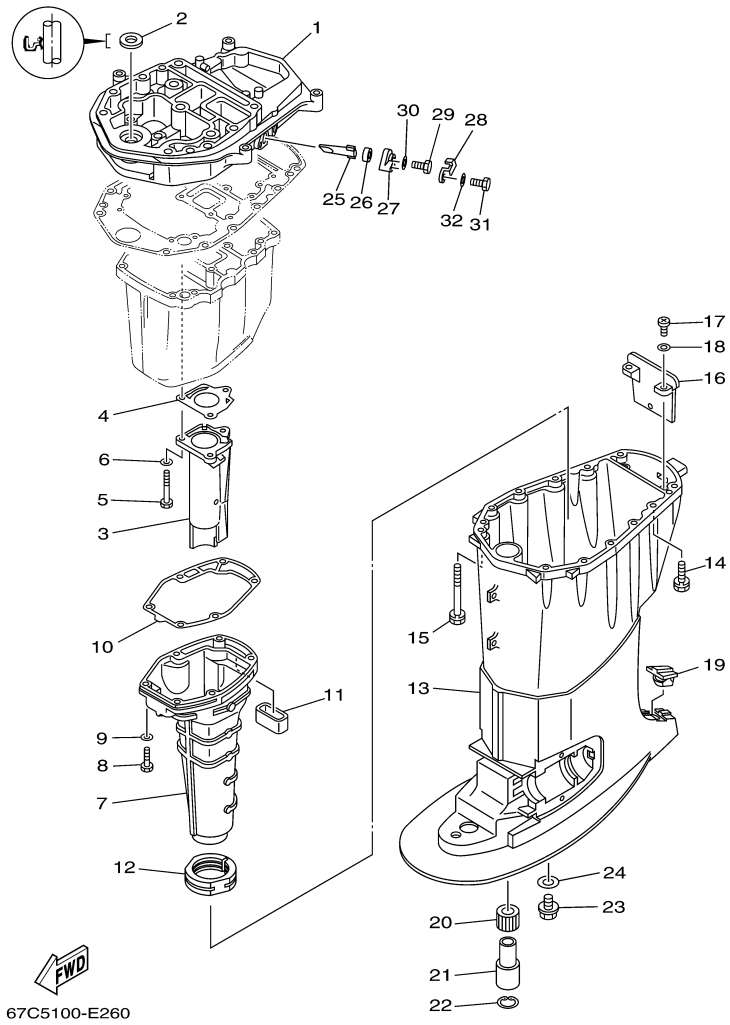
F40BMJH 0408 / POWER TRIM TILT ASSY



67C8110-H250

©2014 Yamaha Motor Corporation, U.S.A. All rights reserved.

F40BMJH 0408 / UPPER CASING



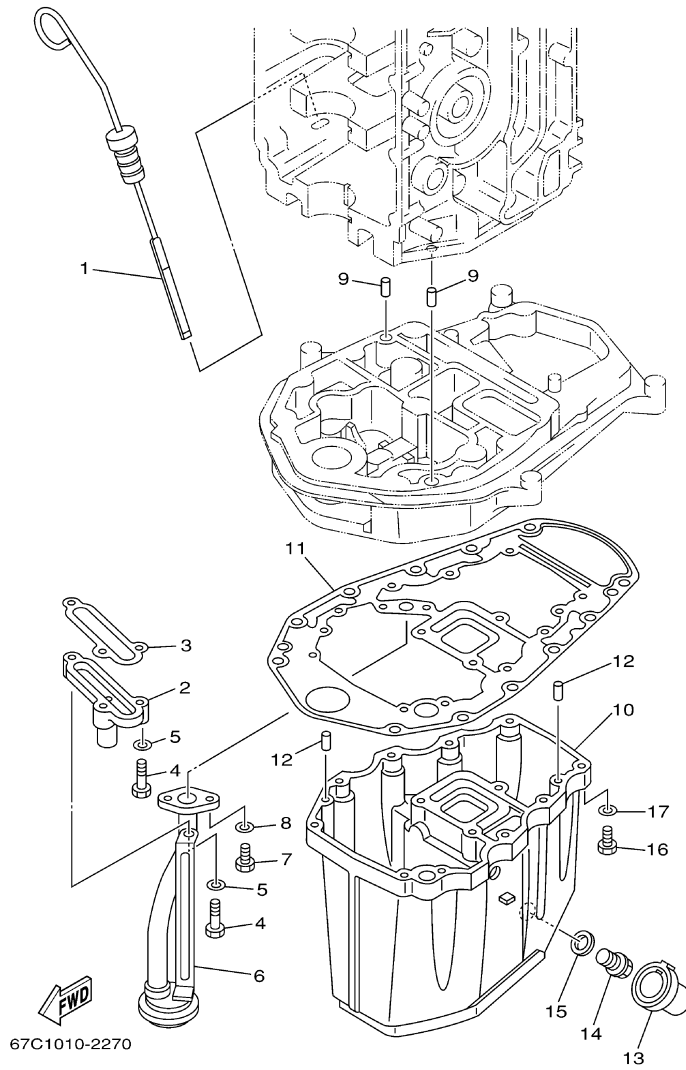
©2014 Yamaha Motor Corporation, U.S.A. All rights reserved.

Part List

F40BMJH 0408 / UPPER CASING

REF - NO	PART NUMBER	PART NAME	QUANTITY	REMARKS
1	67C-41137-12-94	GUIDE, EXHAUST	1	
2	93110-16004-00	.OIL SEAL	1	
3	67C-41131-00-5B	MANIFOLD, EXT. 1	1	
4	67C-41133-00-00	.GASKET, EXHAUST MANIFOLD 1	1	
5	97075-06050-00	BOLT	3	
6	92995-06600-00	WASHER	3	
7	67C-14711-01-5B	MUFFLER 1	1	S(16.1")
8	97075-06025-00	BOLT	6	
9	92995-06600-00	WASHER	6	
10	62Y-41134-01-00	.GASKET, EXHAUST MANIFOLD	1	
11	62Y-45127-00-00	.SEAL	1	
12	67C-45123-00-00	.GASKET, MUFFLER	1	
13	67C-45111-00-4D	CASING, UPPER	1	S(16.1")
14	90119-08M79-00	BOLT, WITH WASHER	4	
15	90119-08M82-00	BOLT, WITH WASHER	8	
16	67C-45151-00-00	COVER, UPPER CASING	1	
17	97880-05016-00	SCREW, PAN HEAD	2	
18	92990-05600-00	WASHER, PLATE	2	
19	63D-45155-00-00	CAP	1	S(16.1")
25	62Y-11325-00-00	ANODE	1	
26	66M-11328-00-00	GROMMET, ANODE	1	
27	66M-11327-00-94	COVER, ANODE	1	
28	66M-12535-00-00	PLATE	1	
29	97095-05012-00	BOLT	1	
30	92995-05600-00	WASHER	1	
31	97013-06020-00	BOLT	1	
32	92903-06600-00	WASHER, PLATE	1	

F40BMJH 0408 / OIL PAN



©2014 Yamaha Motor Corporation, U.S.A. All rights reserved.


Part List

F40BMJH 0408 / OIL PAN

REF - NO	PART NUMBER	PART NAME	QUANTITY	REMARKS
1	67C-15362-00-00	PLUG, OIL LEVEL	1	
2	62Y-11575-00-00	RELIEF VALVE ASSY	1	
3	62Y-13475-00-00	.GASKET	1	
4	97013-06025-00	BOLT	3	
5	92903-06600-00	WASHER, PLATE	3	
6	62Y-13411-00-00	STRAINER, OIL	1	
7	97013-06016-00	BOLT	2	
8	92903-06600-00	WASHER, PLATE	2	
9	93608-12M05-00	PIN, DOWEL	2	
10	62Y-15311-02-5B	OIL PAN	1	
11	69W-15312-00-00	.GASKET, OIL PAN	1	
12	93606-12019-00	.PIN, DOWEL	4	
13	67C-15316-10-00	DAMPER 1	1	S(16.1")
14	90340-14M06-00	PLUG, STRAIGHT SCREW	1	
15	90430-14M09-00	.GASKET	1	
16	97075-06025-00	BOLT	10	
17	92995-06600-00	WASHER	10	

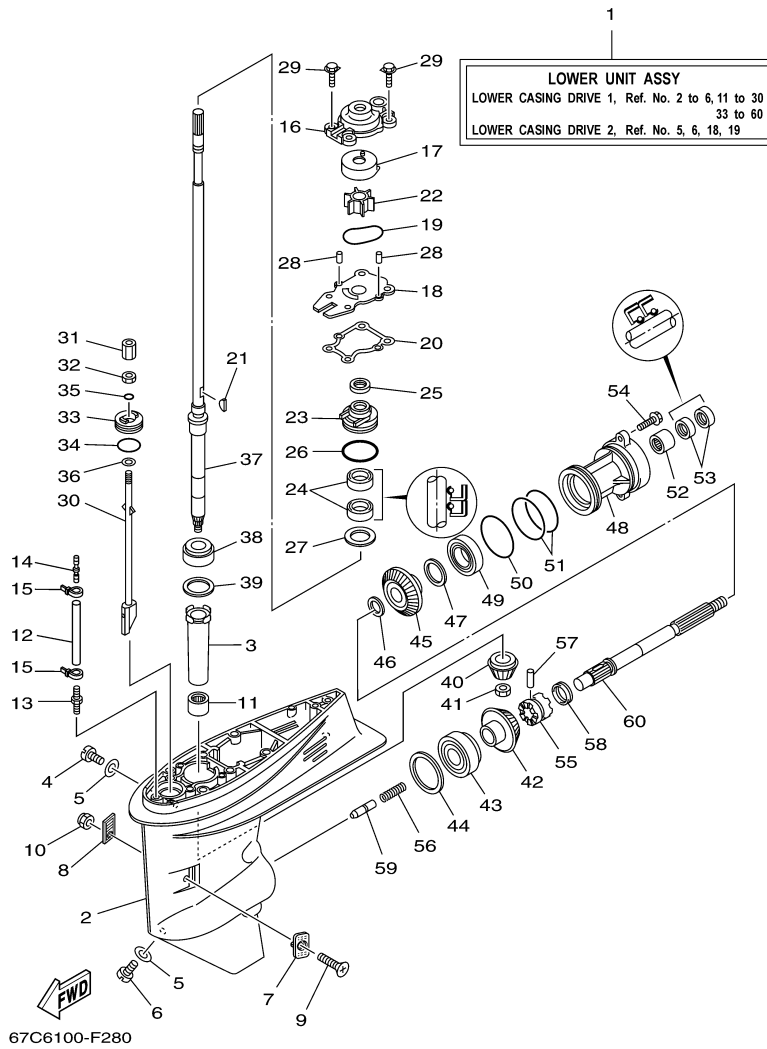
Part Notes

F40BMJH 0408 / OIL PAN

PART NUMBER	NOTE TEXT
90430-14M09-00 	OEM: This part number is among the Top 100 Most Popular Marine Maintenance Parts as of March 2014.

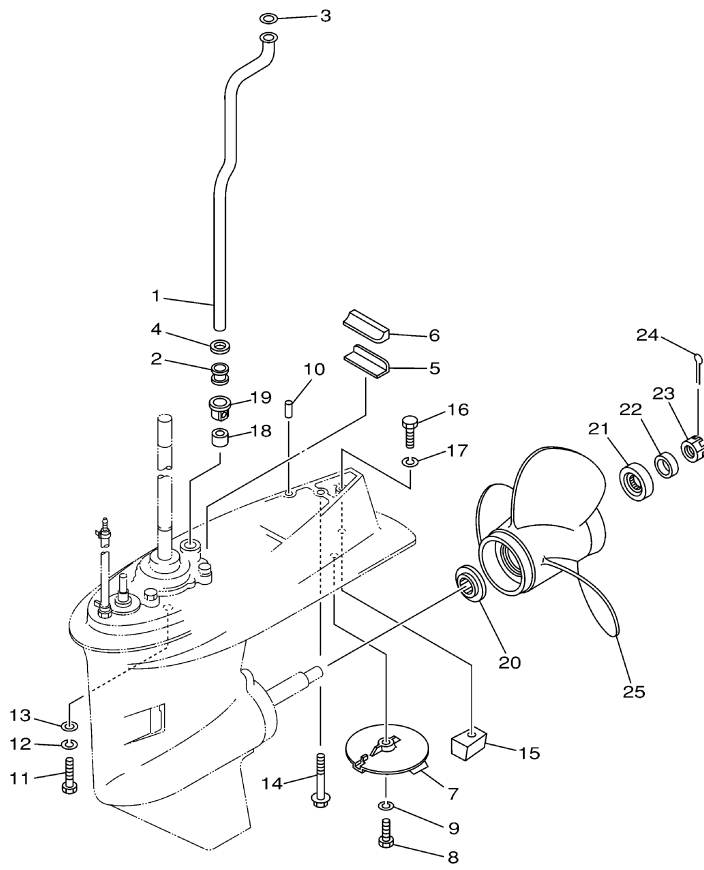
©2014 Yamaha Motor Corporation, U.S.A. All rights reserved.

F40BMJH 0408 / LOWER CASING DRIVE 1



©2014 Yamaha Motor Corporation, U.S.A. All rights reserved.

F40BMJH 0408 / LOWER CASING DRIVE 2




67C0010-0290

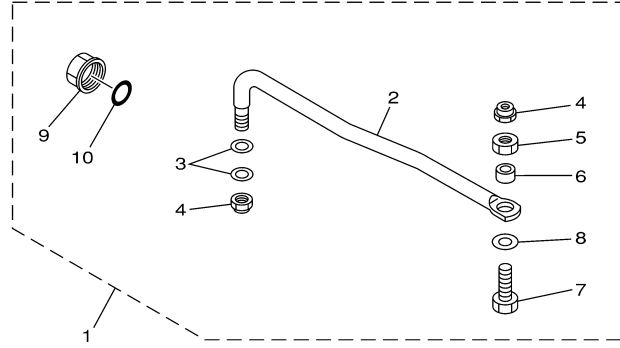
©2014 Yamaha Motor Corporation, U.S.A. All rights reserved.

Part List

F40BMJH 0408 / LOWER CASING DRIVE 2

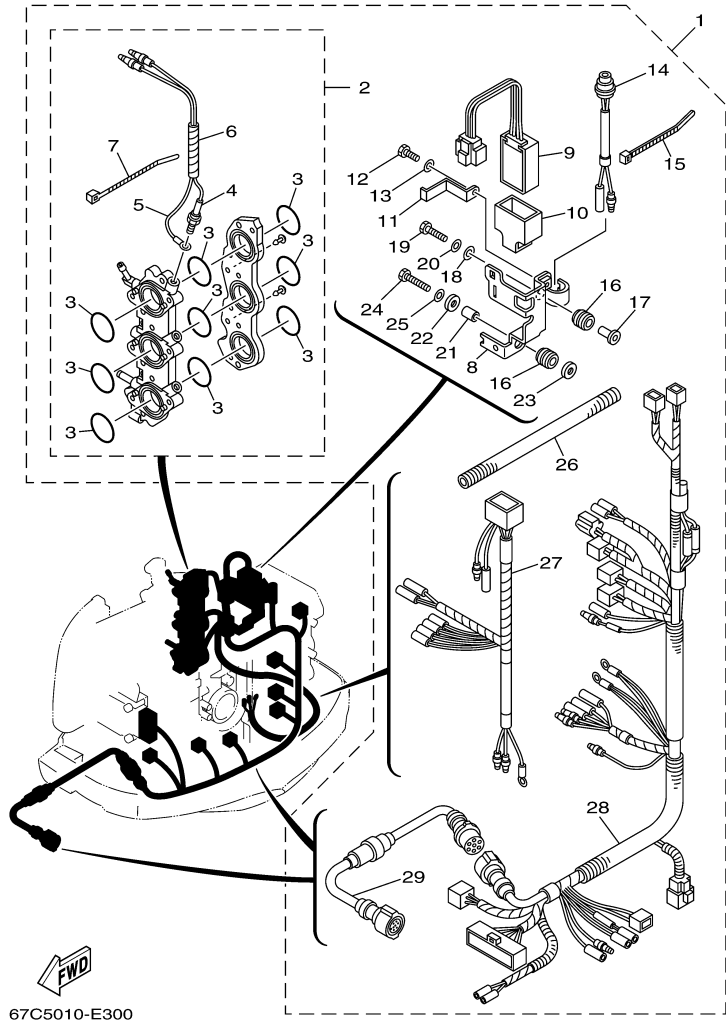
REF - NO	PART NUMBER	PART NAME	QUANTITY	REMARKS
1	67C-44361-00-00	TUBE, WATER 1	1	S(16.1")
2	663-44367-00-00	DAMPER, WATER SEAL 3	1	
3	90202-12060-00	WASHER, PLATE	1	
4	90430-12072-00	GASKET	1	

F40BMJH 0408 / STEERING GUIDE



65W0010-8210

F40BMJH 0408 / OPTIONAL PARTS



©2014 Yamaha Motor Corporation, U.S.A. All rights reserved.

Part List

F40BMJH 0408 / OPTIONAL PARTS

REF - NO	PART NUMBER	PART NAME	QUANTITY	REMARKS
1	67C-83790-01-00	HEATER ASSY	1	AP
2	67C-13589-10-00	.CARBURETOR JOINT COMP	1	
3	67C-14561-00-00	..O-RING	9	
4	69W-83792-00-00	..HEATER	3	
5	69W-83354-00-00	..WIRE, EARTH LEAD 1	3	
6	90446-06M90-00	..HOSE (L120)	3	
7	90465-11M10-00	..CLAMP	3	
8	67C-14291-00-00	.BRACKET 1	1	
9	67F-81930-00-00	.CONTROL UNIT ASSY	1	
10	69W-85546-00-00	.BAND	1	
11	69W-14292-00-00	.BRACKET 2	1	
12	97095-06016-00	.BOLT	1	
13	92995-06600-00	.WASHER	1	
14	67F-82560-00-00	.THERMO SWITCH ASSY	1	
15	90465-13M18-00	.CLAMP	2	
16	90480-10M23-00	.GROMMET	2	
17	90387-06M60-00	.COLLAR	1	
18	90201-06M31-00	.WASHER, PLATE	1	
19	97095-06025-00	.BOLT	1	
20	92995-06600-00	.WASHER	1	
21	90380-08M05-00	.BUSH, SOLID	1	
22	90201-08M05-00	.WASHER, PLATE	1	
23	90201-08M07-00	.WASHER, PLATE	1	
24	97095-08030-00	.BOLT	1	
25	92995-08600-00	.WASHER	1	
26	90446-14M58-00	.HOSE	1	
27	67C-81971-00-00	.WIRE, LEAD	1	
28	67C-82590-A0-00	.WIRE HARNESS ASSY	1	
29	67C-8258A-00-00	.EXTENSION, WIRE HARNESS	1	


Part List

F40BMJH 0408 / REPAIR KIT 1

REF - NO	PART NUMBER	PART NAME	QUANTITY	REMARKS
1	67C-W0001-01-00	POWER HEAD GASKET KIT	1	
2	90430-14115-00	.GASKET	1	
3	67C-11351-01-00	.GASKET, CYLINDER	1	
4	62Y-12414-00-00	.GASKET, COVER	1	
5	67C-41114-10-00	.GASKET, EXHAUST OUTER COVER	1	
6	93102-43M42-00	.OIL SEAL	1	
7	93102-35M47-00	.OIL SEAL	1	
8	90430-06014-00	.GASKET	4	
9	67C-11181-01-00	.GASKET, CYLINDER HEAD 1	1	
10	67C-11356-00-00	.SEAL, CYLINDER 2	1	
11	93210-24M79-00	.O-RING	2	
12	67C-14561-00-00	.O-RING	9	
13	67C-14562-00-00	.O-RING	3	
14	93210-34MJ6-00	.O-RING	3	
15	93102-37M40-00	.OIL SEAL	1	
16	90280-04M06-00	.KEY, WOODRUFF	1	
17	93210-33MH2-00	.O-RING	1	
18	93210-12MG9-00	.O-RING	1	
19	93210-14515-00	.O-RING	1	

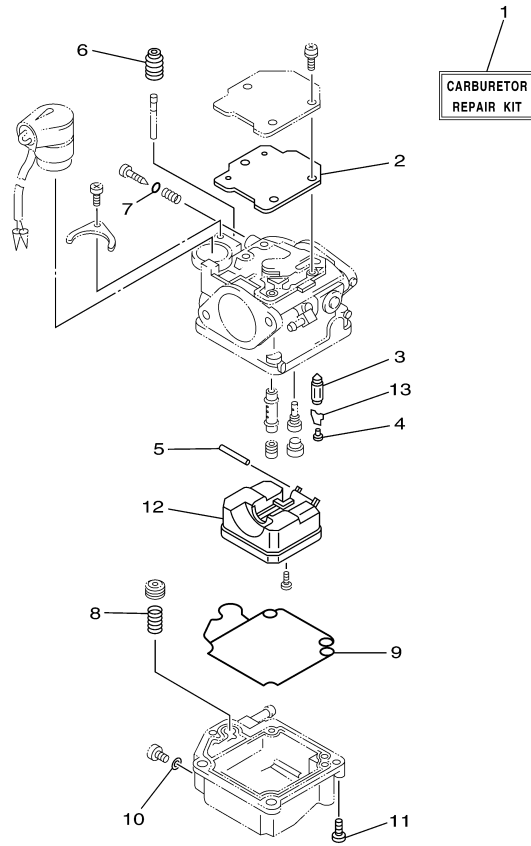
Part Notes

F40BMJH 0408 / REPAIR KIT 1

PART NUMBER	NOTE TEXT
62Y-12414-00-00 	OEM: This part number is among the Top 100 Most Popular Marine Maintenance Parts as of March 2014.

©2014 Yamaha Motor Corporation, U.S.A. All rights reserved.

F40BMJH 0408 / REPAIR KIT 2



67C5100-E360

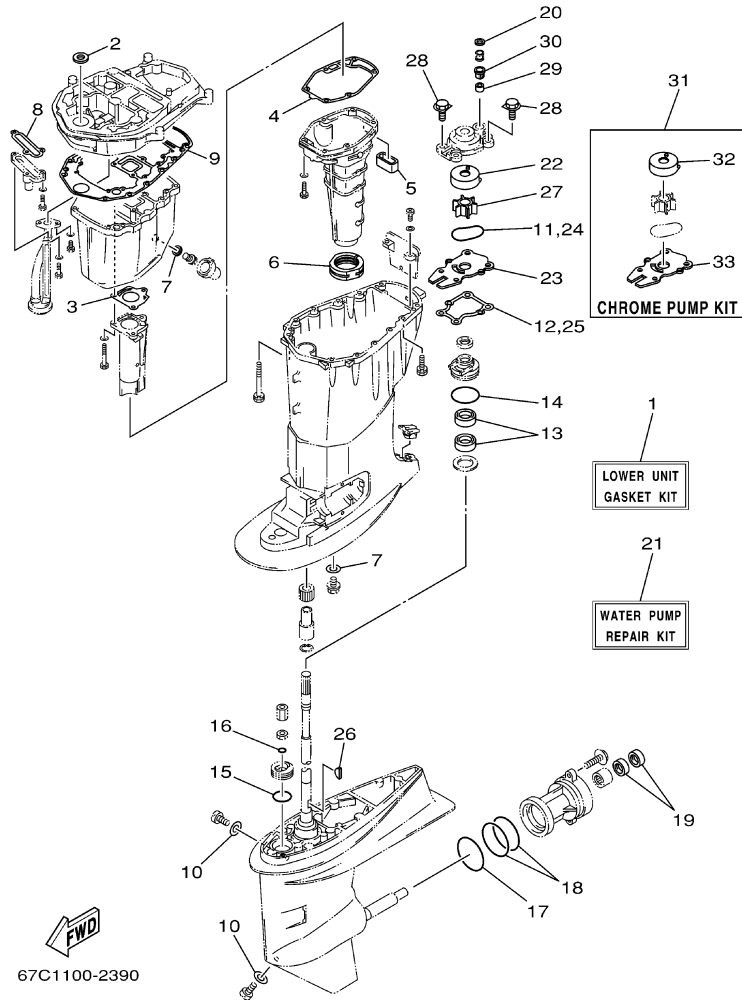
©2014 Yamaha Motor Corporation, U.S.A. All rights reserved.

Part List

F40BMJH 0408 / REPAIR KIT 2

REF - NO	PART NUMBER	PART NAME	QUANTITY	REMARKS
1	65W-W0093-02-00	CARBURETOR REPAIR KIT	1	
2	65W-14126-10-00	.GASKET	1	
3	6G1-14546-01-00	.VALVE, NEEDLE	1	
4	676-14186-00-00	.PIN, FLOAT	1	
5	6H4-14548-00-00	.PIN, FLOAT ARM	1	
6	65W-14373-01-00	.COVER, PLUNGER CAP	1	
7	67C-14397-00-00	.O-RING	1	
8	65W-14335-00-00	.SPRING, PLUNGER	1	
9	65W-14384-00-00	.GASKET, FLOAT CHAMBER	1	
10	65W-14398-00-00	.GASKET	1	
11	97980-04114-00	.SCREW, WITH WASHER	4	
12	63V-14985-00-00	.FLOAT	1	
13	663-14159-00-00	.CLIP	1	

F40BMJH 0408 / REPAIR KIT 3



67C1100-2390

©2014 Yamaha Motor Corporation, U.S.A. All rights reserved.

©2014 Yamaha Motor Corporation, U.S.A. All rights reserved.