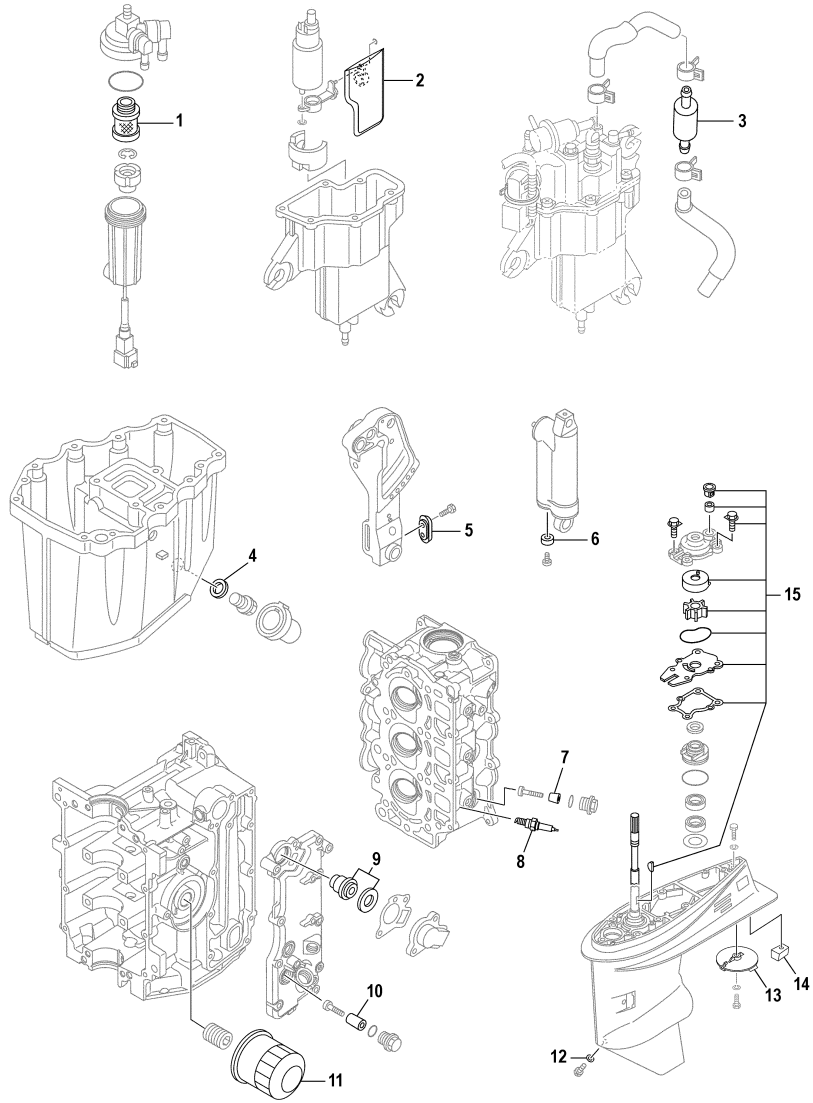


F40JEHA 0410 / SCHEDULED SERVICE PARTS



©2014 Yamaha Motor Corporation, U.S.A. All rights reserved.



Part List

F40JEHA 0410 / SCHEDULED SERVICE PARTS

| REF - NO | PART NUMBER | PART NAME | QUANTITY | REMARKS |
|----------------|-----------------|------------------------------|----------|---------------------------------|
| 1 | 6D8-24563-00-00 | .ELEMENT, FILTER | 1 | FUEL 1 (REF #10) |
| 2 | 6BG-13915-00-00 | .FILTER | 1 | FUEL INJECTION PUMP 1 (REF #19) |
| 3 | 6C5-24251-00-00 | STRAINER 1 | 1 | FUEL INJECTION PUMP 2 (REF #23) |
| 4 | 9043014M09-00 | GASKET | 1 | OIL PAN (REF #7) |
| 5 | 65W-45251-00-00 | ANODE | 1 | BRACKET 2 (REF #34) |
| 6 | 663-45251-00-00 | ANODE | 1 | BRACKET 2 (REF #19) |
| 7 | 6G8-11325-00-00 | ANODE | 3 | CYLINDER CRANKCASE 2 (REF #4) |
| 8 | DPR-6EB90-00-00 | PLUG, SPARK (NGK DPR6EB) | 3 | CYLINDER CRANKCASE 2 (REF #27) |
| 9 | 6G8-12411-03-00 | THERMOSTAT | 1 | CYLINDER CRANKCASE 1 (REF #12) |
| 10 | 6G8-11325-00-00 | ANODE | 1 | CYLINDER CRANKCASE 1 (REF #18) |
| 11 | 5GH-13440-20-00 | ELEMENT ASSY, OIL CLEANER | 1 | CYLINDER CRANKCASE 1 (REF #26) |
| 15 | 6BG-W0078-00-00 | WATER PUMP REPAIR KIT | 1 | REPAIR KIT 2 (REF #23) |

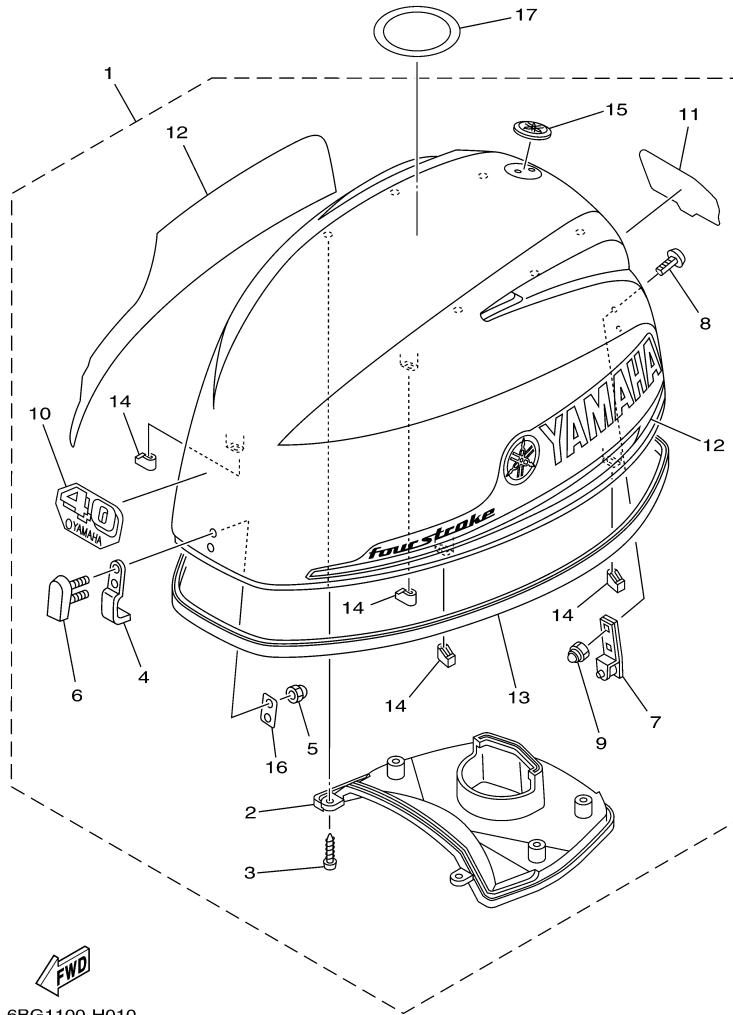
Part Notes

F40JEHA 0410 / SCHEDULED SERVICE PARTS

| PART NUMBER | | NOTE TEXT |
|-----------------|---|--|
| 6C5-24251-00-00 |  | OEM: This part number is among the Top 100 Most Popular Marine Maintenance Parts as of March 2014. |
| 65W-45251-00-00 |  | OEM: This part number is among the Top 100 Most Popular Marine Maintenance Parts as of March 2014. |

©2014 Yamaha Motor Corporation, U.S.A. All rights reserved.

F40JEHA 0410 / TOP COWLING



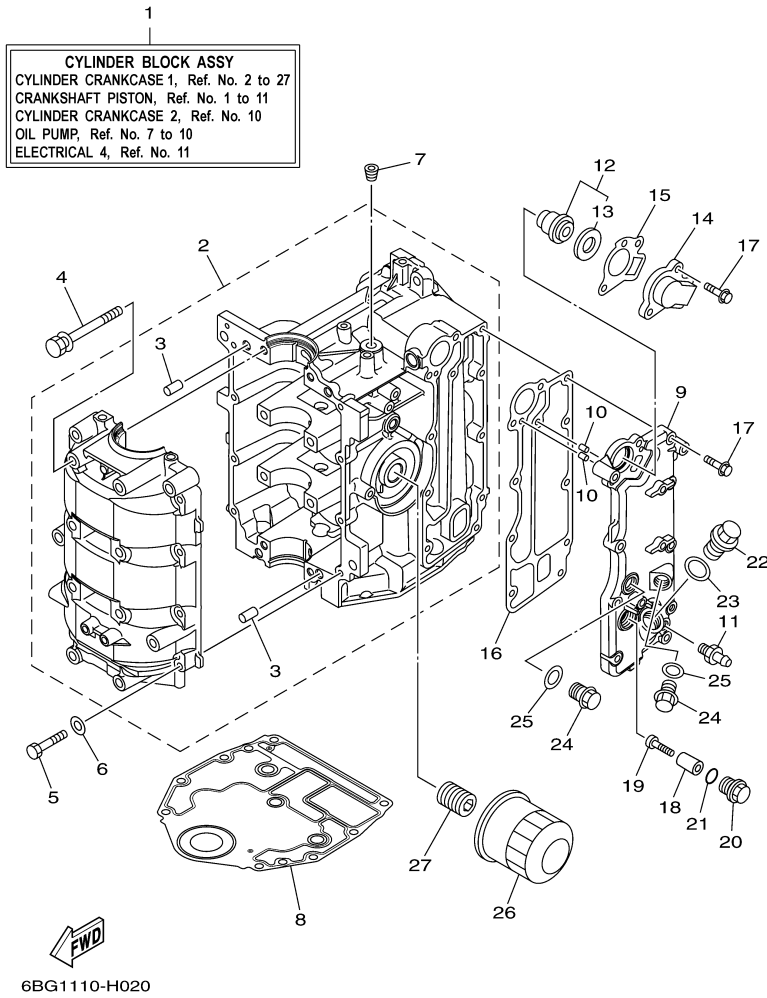
©2014 Yamaha Motor Corporation, U.S.A. All rights reserved.

Part List

F40JEHA 0410 / TOP COWLING

| REF - NO | PART NUMBER | PART NAME | QUANTITY | REMARKS |
|----------------|-----------------|---------------------|----------|---------------|
| 1 | 6BG-42610-10-00 | TOP COWLING ASSY | 1 | FOR JET-DRIVE |
| 2 | 6BG-42613-00-00 | .MOLDING, AIR DUCT | 1 | |
| 3 | 97780-50616-00 | .SCREW, TAPPING | 6 | |
| 4 | 6BG-42651-00-00 | .HOOK | 1 | |
| 5 | 95380-05800-00 | .NUT | 2 | |
| 6 | 6BG-42851-00-00 | .COVER, CLAMP | 1 | |
| 7 | 6BG-42652-00-00 | .HOOK | 1 | |
| 8 | 90109-06047-00 | .BOLT | 2 | |
| 9 | 90185-06M05-00 | .NUT, SELF-LOCKING | 2 | |
| 10 | 6BG-42677-10-00 | .GRAPHIC, FRONT | 1 | FOR JET-DRIVE |
| 11 | 6BG-42678-10-00 | .GRAPHIC, REAR | 1 | FOR JET-DRIVE |
| 12 | 6BG-W0070-00-00 | .GRAPHIC SET | 1 | |
| 13 | 6BG-42615-00-00 | .SEAL | 1 | |
| 14 | 6BG-42662-00-00 | .DAMPER | 4 | |
| 15 | 6AH-42697-01-00 | .TUNING FORK MARK | 1 | |
| 16 | 6BG-42649-00-00 | .HOLDER, CLAMP BAND | 1 | |
| 17 | 67F-13434-20-00 | LABEL, CAUTION | 1 | |

F40JEHA 0410 / CYLINDER CRANKCASE 1



©2014 Yamaha Motor Corporation, U.S.A. All rights reserved.


Part List

F40JEHA 0410 / CYLINDER CRANKCASE 1

| REF - NO | PART NUMBER | PART NAME | QUANTITY | REMARKS |
|----------------|-----------------|---------------------------------|----------|---------|
| 1 | 6BG-W009B-00-9S | CYLINDER BLOCK ASSY | 1 | |
| 2 | 6BG-15100-00-00 | CRANKCASE ASSY | 1 | |
| 3 | 93606-12019-00 | .PIN, DOWEL | 4 | |
| 4 | 90119-08154-00 | BOLT, WITH WASHER | 8 | |
| 5 | 97013-06035-00 | BOLT | 8 | |
| 6 | 92903-06600-00 | WASHER, PLATE | 8 | |
| 7 | 90344-51003-00 | PLUG, TAPER SCREW | 1 | |
| 8 | 6BG-11351-00-00 | .GASKET, CYLINDER | 1 | |
| 9 | 6BG-41113-00-9S | OUTER COVER, EXHAUST | 1 | |
| 10 | 93604-10M03-00 | PIN, DOWEL | 2 | |
| 11 | 62Y-12481-10-00 | PIPE 1 | 1 | |
| 12 | 6G8-12411-03-00 | THERMOSTAT | 1 | |
| 13 | 688-12412-00-00 | .SEAL, THERMOSTAT | 1 | |
| 14 | 6C5-12413-00-9S | COVER, THERMOSTAT | 1 | |
| 15 | 62Y-12414-00-00 | .GASKET, COVER | 1 | |
| 16 | 6BG-41114-00-00 | .GASKET, EXHAUST OUTER COVER | 1 | |
| 17 | 90119-06MA5-00 | BOLT, WITH WASHER | 10 | |
| 18 | 6G8-11325-00-00 | ANODE | 1 | |
| 19 | 97880-05025-00 | SCREW, PAN HEAD | 1 | |
| 20 | 6G8-11197-01-00 | PLUG, BLIND | 1 | |
| 21 | 93210-13M63-00 | .O-RING | 1 | |
| 22 | 90340-18M09-00 | PLUG, STRAIGHT SCREW | 1 | |
| 23 | 90430-18130-00 | .GASKET | 1 | |
| 24 | 90340-14M06-00 | PLUG, STRAIGHT SCREW | 2 | |
| 25 | 90430-14115-00 | .GASKET | 2 | |
| 26 | 5GH-13440-20-00 | ELEMENT ASSY, OIL CLEANER | 1 | |
| 27 | 6C5-12858-00-00 | BOLT, UNION | 1 | |

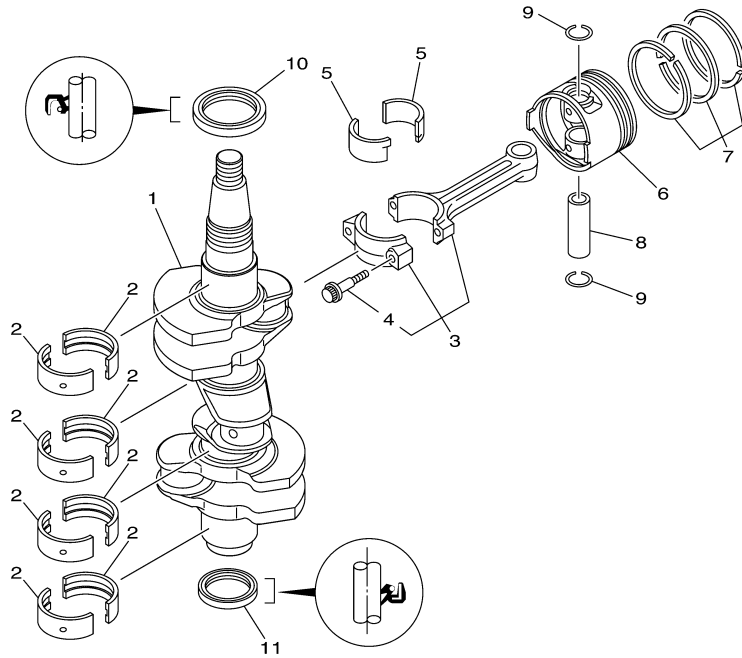
Part Notes

F40JEHA 0410 / CYLINDER CRANKCASE 1

| PART NUMBER | NOTE TEXT |
|---|--|
| 62Y-12414-00-00  | OEM: This part number is among the Top 100 Most Popular Marine Maintenance Parts as of March 2014. |

©2014 Yamaha Motor Corporation, U.S.A. All rights reserved.

F40JEHA 0410 / CRANKSHAFT PISTON



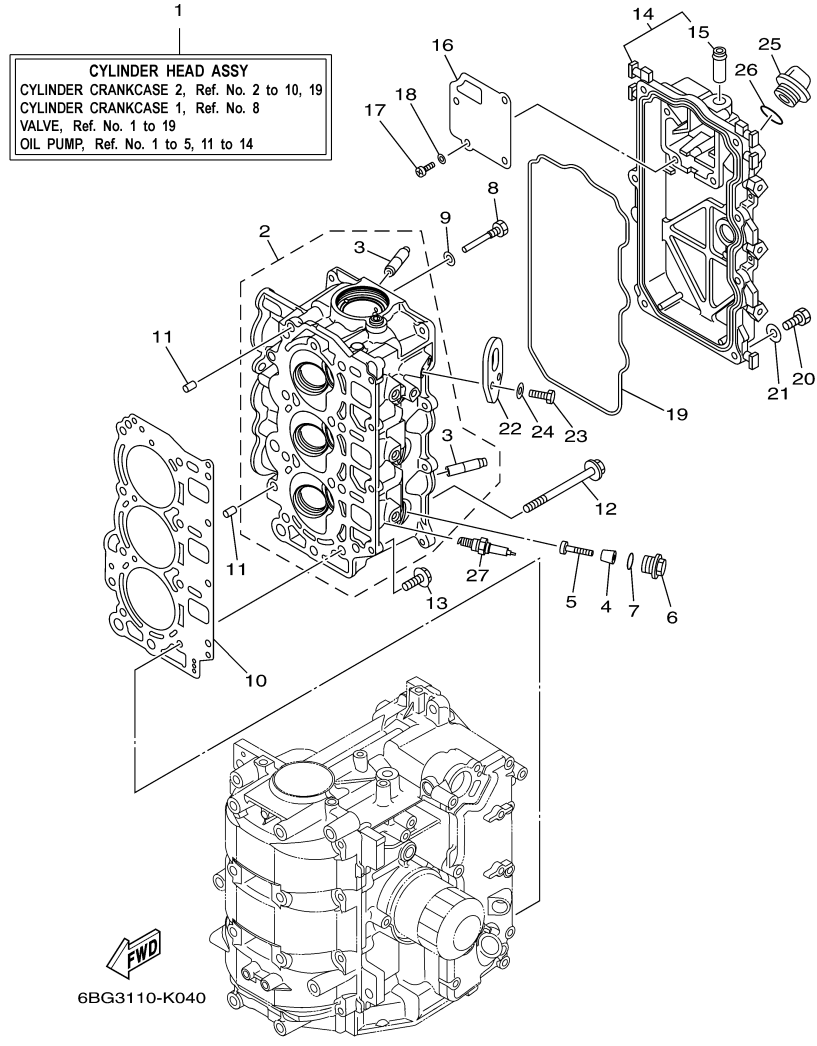
6BG1100-H030

Part List

F40JEHA 0410 / CRANKSHAFT PISTON

| REF - NO | PART NUMBER | PART NAME | QUANTITY | REMARKS |
|----------------|-----------------|----------------------------------|----------|-----------|
| 1 | 6BG-11411-00-00 | CRANKSHAFT | 1 | |
| 2 | 6BG-11416-00-00 | PLANE BEARING, CRANKSHAFT 1 | 8 | UR YELLOW |
| 2 | 6BG-11416-30-00 | PLANE BEARING, CRANKSHAFT 1 | 8 | UR GREEN |
| 2 | 6BG-11416-20-00 | PLANE BEARING, CRANKSHAFT 1 | 8 | UR PINK |
| 2 | 6BG-11416-10-00 | PLANE BEARING, CRANKSHAFT 1 | 8 | UR RED |
| 3 | 6C5-11650-00-00 | CONNECTING ROD ASSY | 3 | |
| 4 | 6C5-11654-00-00 | .BOLT, CONNECTING ROD | 2 | |
| 5 | 6CJ-11656-20-00 | PLANE BEARING, CONNECTING ROD | 6 | UR PINK |
| 5 | 6CJ-11656-00-00 | PLANE BEARING, CONNECTING ROD | 6 | UR YELLOW |
| 5 | 6CJ-11656-10-00 | PLANE BEARING, CONNECTING ROD | 6 | UR RED |
| 5 | 6CJ-11656-30-00 | PLANE BEARING, CONNECTING ROD | 6 | UR GREEN |
| 6 | 69W-11631-01-97 | PISTON (STD) | 3 | |
| 6 | 69W-11636-01-00 | PISTON (0.50MM O/S) | 3 | AP |
| 6 | 69W-11635-01-00 | PISTON (0.25MM O/S) | 3 | AP |
| 7 | 67C-11603-00-00 | PISTON RING SET (STD) | 3 | |
| 7 | 67C-11604-00-00 | PISTON RING SET (0.25MM O/S) | 3 | AP |
| 7 | 67C-11605-00-00 | PISTON RING SET (0.50MM O/S) | 3 | AP |
| 8 | 62Y-11633-00-00 | PIN, PISTON | 3 | |
| 9 | 93450-17129-00 | CIRCLIP | 6 | |
| 10 | 93102-43M42-00 | .OIL SEAL | 1 | |
| 11 | 93101-35002-00 | .OIL SEAL | 1 | |

F40JEHA 0410 / CYLINDER CRANKCASE 2



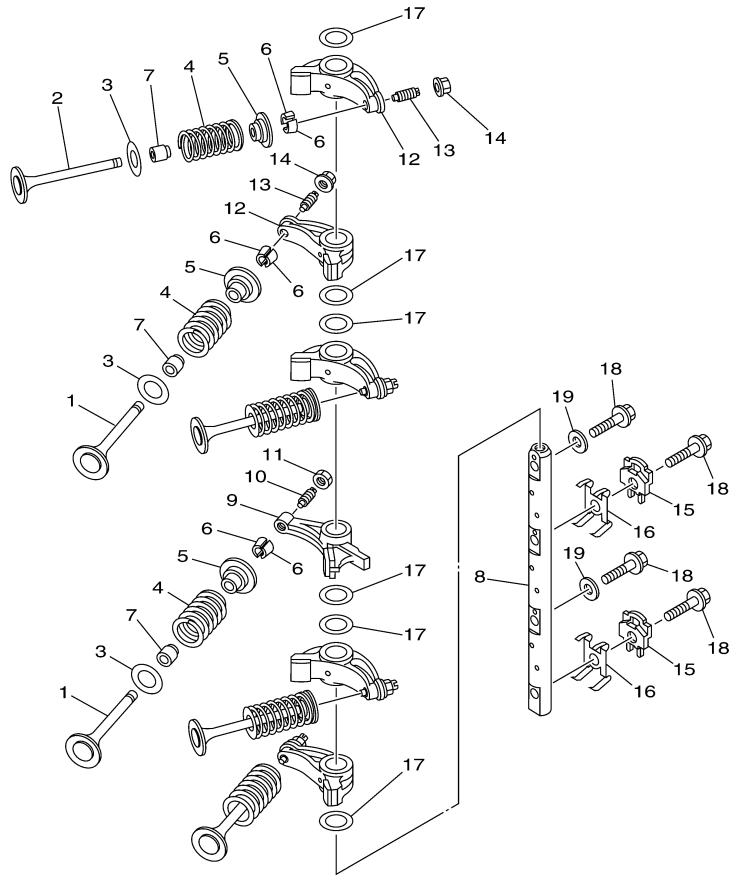
©2014 Yamaha Motor Corporation, U.S.A. All rights reserved.

Part List

F40JEHA 0410 / CYLINDER CRANKCASE 2

| REF - NO | PART NUMBER | PART NAME | QUANTITY | REMARKS |
|----------------|-----------------|--------------------------|----------|---------|
| 1 | 6BG-W009A-00-9S | CYLINDER HEAD COMPLETE | 1 | |
| 2 | 6BG-11111-00-9S | HEAD, CYLINDER 1 | 1 | |
| 3 | 62Y-11133-30-00 | .GUIDE, VALVE 1 | 6 | |
| 4 | 6G8-11325-00-00 | ANODE | 3 | |
| 5 | 97880-05025-00 | SCREW, PAN HEAD | 3 | |
| 6 | 6G8-11197-01-00 | PLUG, BLIND | 3 | |
| 7 | 93210-13M63-00 | .O-RING | 3 | |
| 8 | 90109-06M65-00 | BOLT | 1 | |
| 9 | 90430-06014-00 | .GASKET | 1 | |
| 10 | 6BG-11181-00-00 | .GASKET, CYLINDER HEAD 1 | 1 | |
| 11 | 99530-08012-00 | PIN, DOWEL | 2 | |
| 12 | 90105-09005-00 | BOLT, FLANGE | 8 | |
| 13 | 90119-06MA3-00 | BOLT, WITH WASHER | 4 | |
| 14 | 6BG-11191-00-9S | COVER, CYLINDER HEAD 1 | 1 | |
| 15 | 62Y-14485-00-00 | .PIPE, JOINT | 1 | |
| 16 | 6BG-11168-00-00 | COVER, BREATHER | 1 | |
| 17 | 98507-04010-00 | SCREW, PAN HEAD | 4 | |
| 18 | 92907-04600-00 | WASHER | 4 | |
| 19 | 6BG-11356-00-00 | .SEAL, CYLINDER 2 | 1 | |
| 20 | 97095-06020-00 | BOLT | 7 | |
| 21 | 92995-06600-00 | WASHER | 7 | |
| 22 | 6BG-11119-00-00 | HANGER, ENGINE | 1 | |
| 23 | 97095-06020-00 | BOLT | 2 | |
| 24 | 92995-06600-00 | WASHER | 2 | |
| 25 | 6G8-15363-00-00 | PLUG, OIL | 1 | |
| 26 | 93210-24M79-00 | .O-RING | 1 | |
| 27 | DPR-6EB90-00-00 | PLUG, SPARK (NGK DPR6EB) | 3 | |

F40JEHA 0410 / VALVE



6BG1100-H050

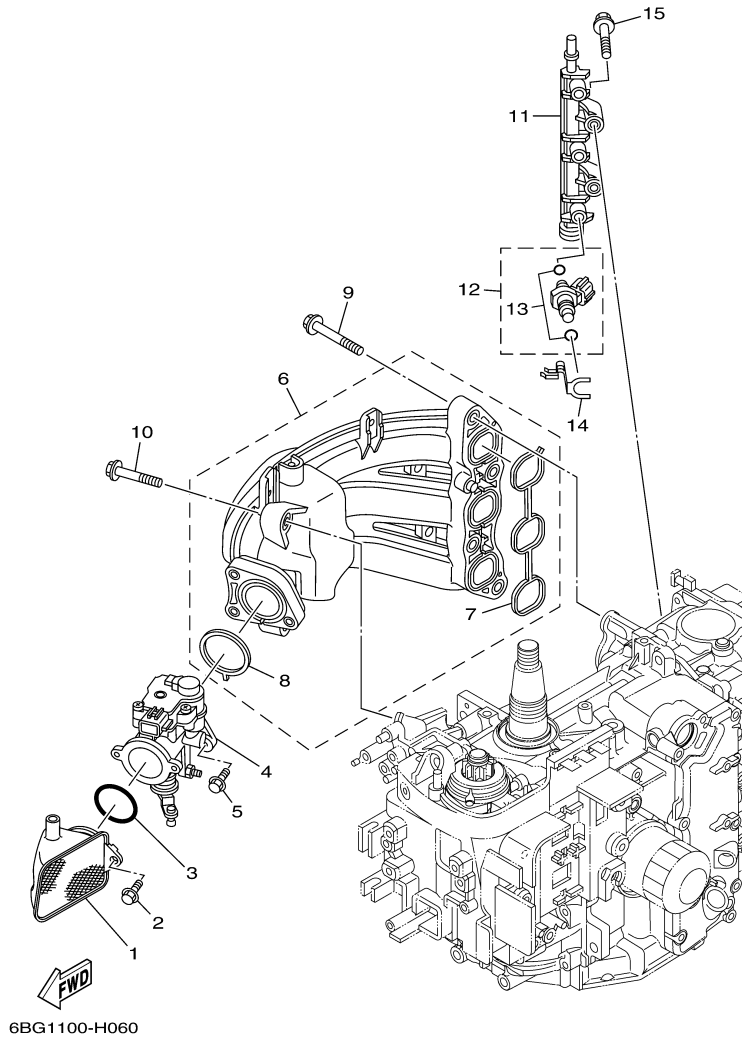
©2014 Yamaha Motor Corporation, U.S.A. All rights reserved.

Part List

F40JEHA 0410 / VALVE

| REF - NO | PART NUMBER | PART NAME | QUANTITY | REMARKS |
|----------------|-----------------|--------------------------------|----------|---------|
| 1 | 69W-12111-00-00 | VALVE, INTAKE | 3 | |
| 2 | 69W-12121-00-00 | VALVE, EXHAUST | 3 | |
| 3 | 62Y-12116-00-00 | SEAT, VALVE SPRING | 6 | |
| 4 | 51Y-12114-00-00 | SPRING, VALVE OUTER | 6 | |
| 5 | 30X-12117-00-00 | RETAINER, VALVE SPRING | 6 | |
| 6 | 30X-12118-00-00 | LOCK, VALVE SPRING RETAINER | 12 | |
| 7 | 51Y-12119-00-00 | SEAL, VALVE STEM | 6 | |
| 8 | 6BG-12146-00-00 | SHAFT, ROCKER | 1 | |
| 9 | 62Y-12151-00-00 | ARM, VALVE ROCKER | 1 | |
| 10 | 64J-12159-00-00 | SCREW, VALVE ADJUSTING | 1 | |
| 11 | 62Y-12158-00-00 | NUT, LOCK | 1 | |
| 12 | 6C5-12151-00-00 | ARM, VALVE ROCKER | 5 | |
| 13 | 6C5-12159-00-00 | SCREW, VALVE ADJUSTING | 5 | |
| 14 | 6C5-12158-00-00 | NUT, LOCK | 5 | |
| 15 | 6C5-12231-00-00 | GUIDE, STOPPER 1 | 2 | |
| 16 | 6C5-12233-00-00 | PLATE, GUIDE STOPPER 1 | 2 | |
| 17 | 90201-16014-00 | WASHER, PLATE | 6 | |
| 18 | 90105-08060-00 | BOLT, FLANGE | 4 | |
| 19 | 92990-08200-00 | WASHER, PLAIN | 2 | |

F40JEHA 0410 / INTAKE 1



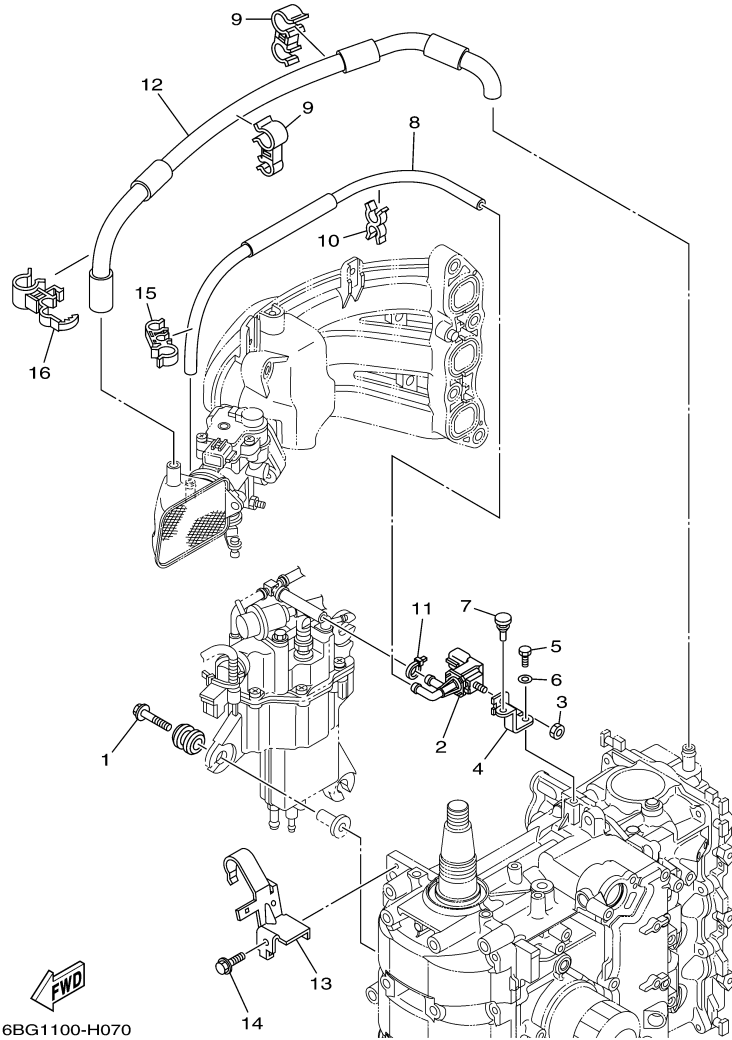
©2014 Yamaha Motor Corporation, U.S.A. All rights reserved.

Part List

F40JEHA 0410 / INTAKE 1

| REF - NO | PART NUMBER | PART NAME | QUANTITY | REMARKS |
|----------------|-----------------|-----------------------|----------|---------|
| 1 | 6BG-14440-00-00 | SILENCER ASSY, INTAKE | 1 | |
| 2 | 95895-06016-00 | BOLT, FLANGE | 2 | |
| 3 | 93210-42159-00 | .O-RING | 1 | |
| 4 | 6BG-13750-00-00 | THROTTLE BODY ASSY | 1 | |
| 5 | 95895-06016-00 | BOLT, FLANGE | 3 | |
| 6 | 6BG-13641-00-00 | MANIFOLD, INTAKE 1 | 1 | |
| 7 | 6BG-13645-00-00 | .GASKET, MANIFOLD 1 | 1 | |
| 8 | 6BG-13557-00-00 | .GASKET | 1 | |
| 9 | 90119-08069-00 | BOLT, WITH WASHER | 4 | |
| 10 | 90119-06126-00 | BOLT, WITH WASHER | 2 | |
| 11 | 6BG-13161-00-00 | PIPE, DELIVERY 1 | 1 | |
| 12 | 6BG-13761-00-00 | INJECTOR | 3 | |
| 13 | 6C5-1410B-00-00 | .PACKING KIT | 1 | |
| 14 | 6BG-13577-00-00 | CLIP | 3 | |
| 15 | 95895-06040-00 | BOLT, FLANGE | 2 | |

F40JEHA 0410 / INTAKE 2



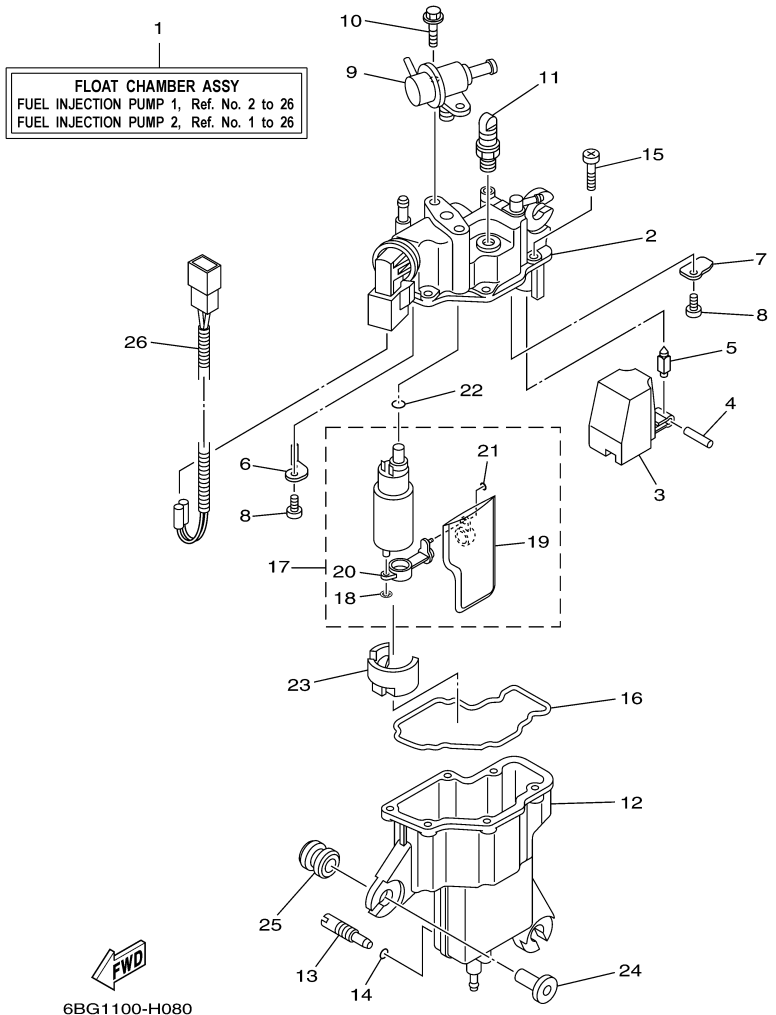
©2014 Yamaha Motor Corporation, U.S.A. All rights reserved.

Part List

F40JEHA 0410 / INTAKE 2

| REF - NO | PART NUMBER | PART NAME | QUANTITY | REMARKS |
|----------------|-----------------|---------------------|----------|---------|
| 1 | 90119-06M61-00 | BOLT, WITH WASHER | 3 | |
| 2 | 6C5-86120-00-00 | SOLENOID VALVE ASSY | 1 | |
| 3 | 95380-06600-00 | NUT, HEXAGON | 1 | |
| 4 | 6BG-86112-00-00 | STAY, SOLENOID | 1 | |
| 5 | 97095-06016-00 | BOLT | 1 | |
| 6 | 92995-06600-00 | WASHER | 1 | |
| 7 | 90480-06M19-00 | GROMMET | 1 | |
| 8 | 6BG-12576-00-00 | HOSE 1 | 1 | |
| 9 | 90464-15007-00 | CLAMP | 2 | |
| 10 | 90464-11M24-00 | CLAMP | 1 | |
| 11 | 90465-11M10-00 | CLAMP | 1 | |
| 12 | 6BG-1531A-00-00 | HOSE, BREATHER 1 | 1 | |
| 13 | 6BG-15378-00-00 | HOLDER | 1 | |
| 14 | 90119-06037-00 | BOLT, WITH WASHER | 1 | |
| 15 | 90464-15008-00 | CLAMP | 1 | |
| 16 | 90464-15011-00 | CLAMP | 1 | |

F40JEHA 0410 / FUEL INJECTION PUMP 1



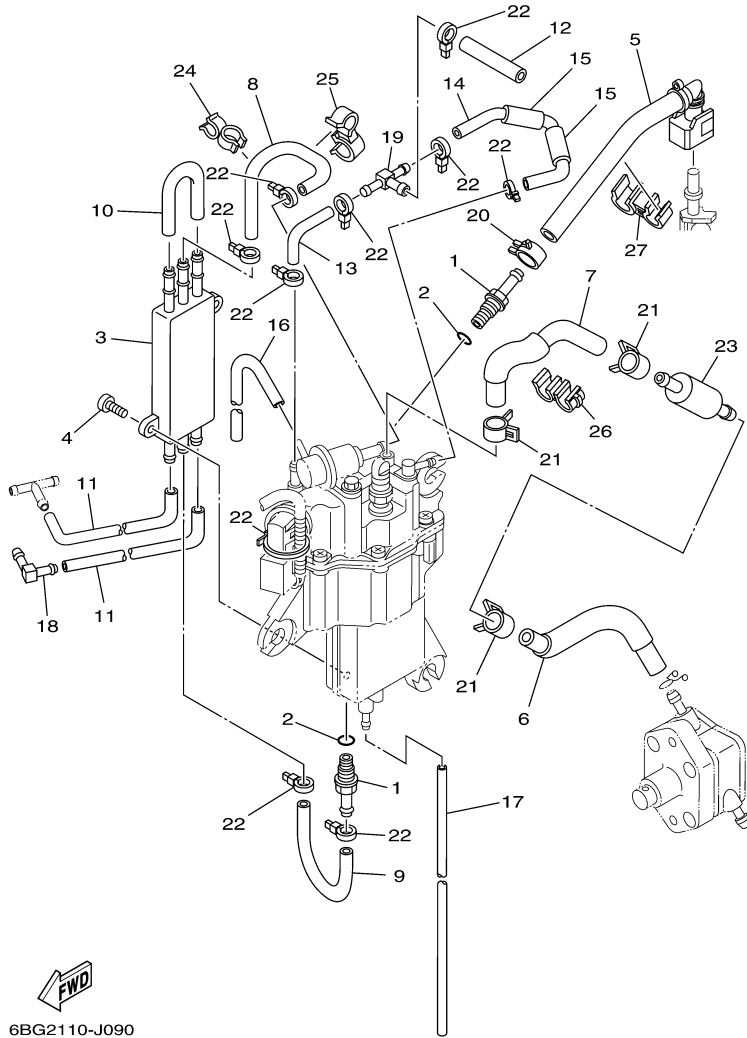
©2014 Yamaha Motor Corporation, U.S.A. All rights reserved.

Part List

F40JEHA 0410 / FUEL INJECTION PUMP 1

| REF - NO | PART NUMBER | PART NAME | QUANTITY | REMARKS |
|----------------|-----------------|-----------------------|----------|---------|
| 1 | 6BG-14180-00-00 | FLOAT CHAMBER ASSY | 1 | |
| 2 | 6BG-14182-00-00 | COVER, FLOAT CHAMBER | 1 | |
| 3 | 6BG-14985-00-00 | FLOAT | 1 | |
| 4 | 6C5-14386-00-00 | PIN, FLOAT | 1 | |
| 5 | 6C5-14546-00-00 | VALVE, NEEDLE | 1 | |
| 6 | 6BG-2441R-00-00 | PLATE, BAFFLE 1 | 1 | |
| 7 | 6BG-2441T-00-00 | PLATE, BAFFLE 2 | 1 | |
| 8 | 6C5-24453-00-00 | SCREW | 2 | |
| 9 | 6C5-13906-01-00 | REGULATOR, PRESSURE | 1 | |
| 10 | 6C5-24592-00-00 | BOLT | 2 | |
| 11 | 6C5-14225-00-00 | CAP | 1 | |
| 12 | 6BG-14960-00-00 | BODY ASSY | 1 | |
| 13 | 6C5-14191-00-00 | PLUG, DRAIN | 1 | |
| 14 | 6C5-14397-00-00 | O-RING | 1 | |
| 15 | 6C5-14567-00-00 | SCREW | 6 | |
| 16 | 6BG-14984-00-00 | GASKET, FLOAT CHAMBER | 1 | |
| 17 | 6BG-13910-00-00 | FUEL PUMP ASSY | 1 | |
| 18 | 6C5-14127-00-00 | .CLIP | 1 | |
| 19 | 6BG-13915-00-00 | .FILTER | 1 | |
| 20 | 6BG-13938-00-00 | .PIPE | 1 | |
| 21 | 6BG-14137-00-00 | .CLIP | 1 | |
| 22 | 6BG-14561-00-00 | O-RING | 1 | |
| 23 | 6BG-13593-00-00 | DAMPER | 1 | |
| 24 | 90387-06M69-00 | COLLAR | 3 | |
| 25 | 90480-09M12-00 | GROMMET | 3 | |
| 26 | 6BG-82553-00-00 | EXTENSION, WIRE LEAD | 1 | |

F40JEHA 0410 / FUEL INJECTION PUMP 2



6BG2110-J090


Part List

F40JEHA 0410 / FUEL INJECTION PUMP 2

| REF - NO | PART NUMBER | PART NAME | QUANTITY | REMARKS |
|----------------|-----------------|------------------------|----------|---------|
| 1 | 6C5-14251-00-00 | NIPPLE | 2 | |
| 2 | 6C5-13739-00-00 | O-RING | 2 | |
| 3 | 6C5-21841-00-00 | COOLER | 1 | |
| 4 | 6C5-24444-00-00 | SCREW | 2 | |
| 5 | 6BG-13974-00-00 | PIPE, FUEL 4 | 1 | |
| 6 | 6BG-2451B-00-00 | HOSE, FUEL INLET | 1 | |
| 7 | 6BG-14148-00-00 | PIPE | 1 | |
| 8 | 6BG-24321-00-00 | PIPE 10 | 1 | |
| 9 | 6BG-24322-00-00 | PIPE 11 | 1 | |
| 10 | 6BG-24323-00-00 | PIPE 12 | 1 | |
| 11 | 6BG-24324-00-00 | PIPE 13 | 2 | |
| 12 | 6C5-13547-00-00 | HOSE 3 | 1 | |
| 13 | 6BG-13545-00-00 | HOSE 1 | 1 | |
| 14 | 6BG-13546-00-00 | HOSE 2 | 1 | |
| 15 | 6BG-13548-00-00 | HOSE, AIR 4 | 2 | |
| 16 | 6BG-13542-00-00 | HOSE, VACUUM SENSING 1 | 1 | |
| 17 | 6BG-14149-00-00 | PIPE | 1 | |
| 18 | 6C5-1410F-00-00 | CONNECTOR | 1 | |
| 19 | 6C5-24379-00-00 | PIPE, JOINT 4 | 1 | |
| 20 | 6C5-13577-00-00 | CLIP | 1 | |
| 21 | 6BG-24387-00-00 | CLIP | 3 | |
| 22 | 90465-11M10-00 | CLAMP | 10 | |
| 23 | 6C5-24251-00-00 | STRAINER 1 | 1 | |
| 24 | 90464-12006-00 | CLAMP | 1 | |
| 25 | 90464-12010-00 | CLAMP | 1 | |
| 26 | 90464-12224-00 | CLAMP | 1 | |
| 27 | 90464-15007-00 | CLAMP | 1 | |

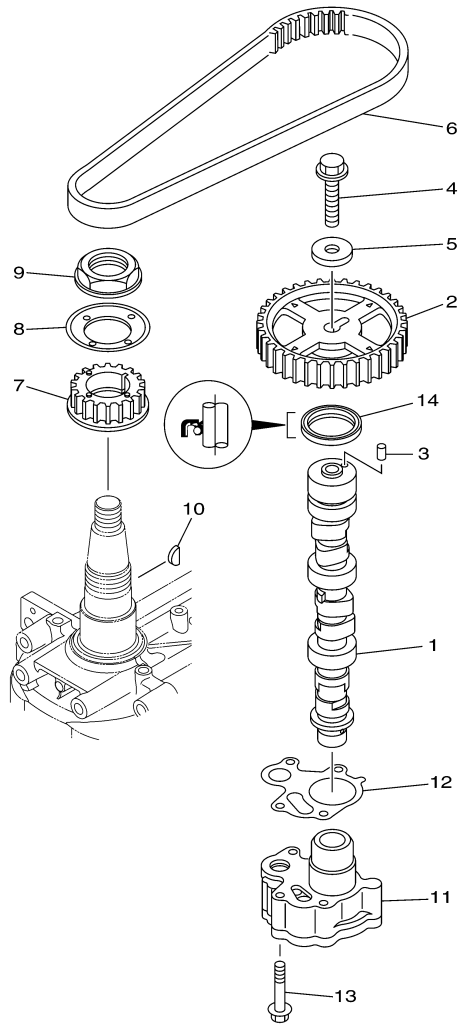
Part Notes

F40JEHA 0410 / FUEL INJECTION PUMP 2

| PART NUMBER | NOTE TEXT |
|---|--|
| 6C5-24251-00-00  | OEM: This part number is among the Top 100 Most Popular Marine Maintenance Parts as of March 2014. |

©2014 Yamaha Motor Corporation, U.S.A. All rights reserved.

F40JEHA 0410 / OIL PUMP



6BG3110-K100

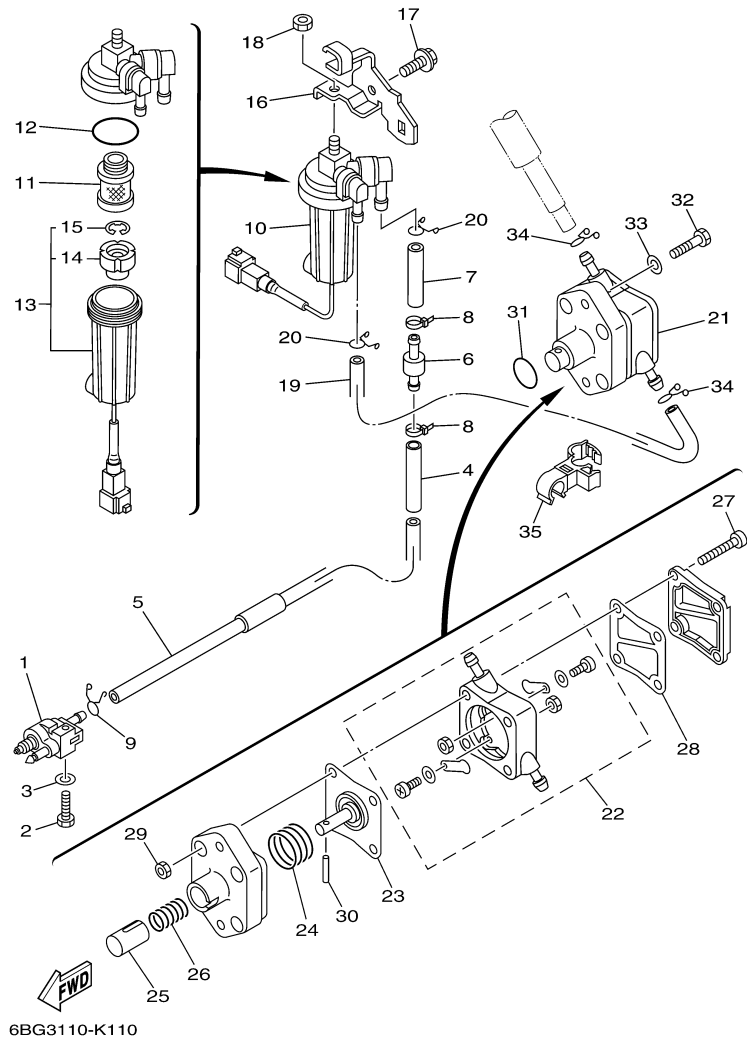
©2014 Yamaha Motor Corporation, U.S.A. All rights reserved.

Part List

F40JEHA 0410 / OIL PUMP

| REF - NO | PART NUMBER | PART NAME | QUANTITY | REMARKS |
|----------------|-----------------|---------------------|----------|---------|
| 1 | 6BG-12171-00-00 | CAMSHAFT 1 | 1 | |
| 2 | 6C5-11537-00-00 | GEAR, DRIVEN | 1 | |
| 3 | 93605-17002-00 | PIN, DOWEL | 1 | |
| 4 | 95817-10035-00 | BOLT, FLANGE | 1 | |
| 5 | 90201-10144-00 | WASHER, PLATE | 1 | |
| 6 | 6C5-46241-00-00 | BELT | 1 | |
| 7 | 6C5-11536-00-00 | GEAR, DRIVE | 1 | |
| 8 | 62Y-11557-00-00 | WASHER 1 | 1 | |
| 9 | 90179-35001-00 | NUT | 1 | |
| 10 | 90280-03M01-00 | .KEY, WOODRUFF | 1 | |
| 11 | 6BG-13300-00-00 | OIL PUMP ASSY | 1 | |
| 12 | 6C5-13329-00-00 | .GASKET, PUMP COVER | 1 | |
| 13 | 90119-06025-00 | BOLT, WITH WASHER | 4 | |
| 14 | 93102-37M40-00 | .OIL SEAL | 1 | |

F40JEHA 0410 / FUEL 1



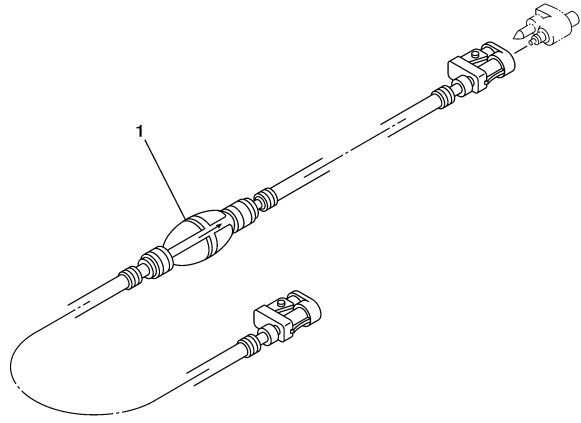
©2014 Yamaha Motor Corporation, U.S.A. All rights reserved.

Part List

F40JEHA 0410 / FUEL 1

| REF - NO | PART NUMBER | PART NAME | QUANTITY | REMARKS |
|----------------|-----------------|-------------------------|----------|---------|
| 1 | 6G1-24304-02-00 | FUEL PIPE JOINT COMP. 1 | 1 | |
| 2 | 97095-06025-00 | BOLT | 1 | |
| 3 | 92995-06600-00 | WASHER | 1 | |
| 4 | 90445-14020-00 | HOSE (L65) | 1 | |
| 5 | 6BG-24313-00-00 | PIPE 3 | 1 | |
| 6 | 67F-24377-00-00 | PIPE, JOINT 2 | 1 | |
| 7 | 90445-13M02-00 | HOSE (L40) | 1 | |
| 8 | 90465-11M10-00 | CLAMP | 2 | |
| 9 | 90467-09M17-00 | CLIP | 1 | |
| 10 | 6D8-24560-00-00 | FILTER ASSY | 1 | |
| 11 | 6D8-24563-00-00 | .ELEMENT, FILTER | 1 | |
| 12 | 6D8-24564-00-00 | .GASKET | 1 | |
| 13 | 6D8-24562-00-00 | .CUP, FILTER | 1 | |
| 14 | 6D8-24469-00-00 | ..FLOAT, WATER LEVEL | 1 | |
| 15 | 6D8-24519-00-00 | ..CLIP | 1 | |
| 16 | 6BG-24566-00-00 | BRACKET, FILTER | 1 | |
| 17 | 95895-08016-00 | BOLT, FLANGE | 1 | |
| 18 | 95380-08600-00 | NUT | 1 | |
| 19 | 6BG-24311-00-00 | PIPE, FUEL 1 | 1 | |
| 20 | 90467-11M08-00 | CLIP | 2 | |
| 21 | 6C5-24410-00-00 | FUEL PUMP ASSY | 1 | |
| 22 | 6C5-24415-00-00 | .BODY 4 | 1 | |
| 23 | 62Y-24411-02-00 | .DIAPHRAGM | 1 | |
| 24 | 62Y-24423-00-00 | .SPRING, DIAPHRAGM | 1 | |
| 25 | 62Y-13131-00-00 | .PLUNGER | 1 | |
| 26 | 62Y-24454-00-00 | .SPRING | 1 | |
| 27 | 62Y-24444-01-00 | .SCREW | 4 | |
| 28 | 6C5-24471-00-00 | .DIAPHRAGM | 1 | |
| 29 | 95380-05600-00 | .NUT | 4 | |
| 30 | 62Y-24374-01-00 | .PIN | 1 | |
| 31 | 93210-24M79-00 | .O-RING | 1 | |
| 32 | 97095-06030-00 | BOLT | 2 | |
| 33 | 92995-06600-00 | WASHER | 2 | |
| 34 | 90467-10M04-00 | CLIP | 2 | |
| 35 | 90464-12012-00 | CLAMP | 1 | |

F40JEHA 0410 / FUEL 2



6BP1110-H100

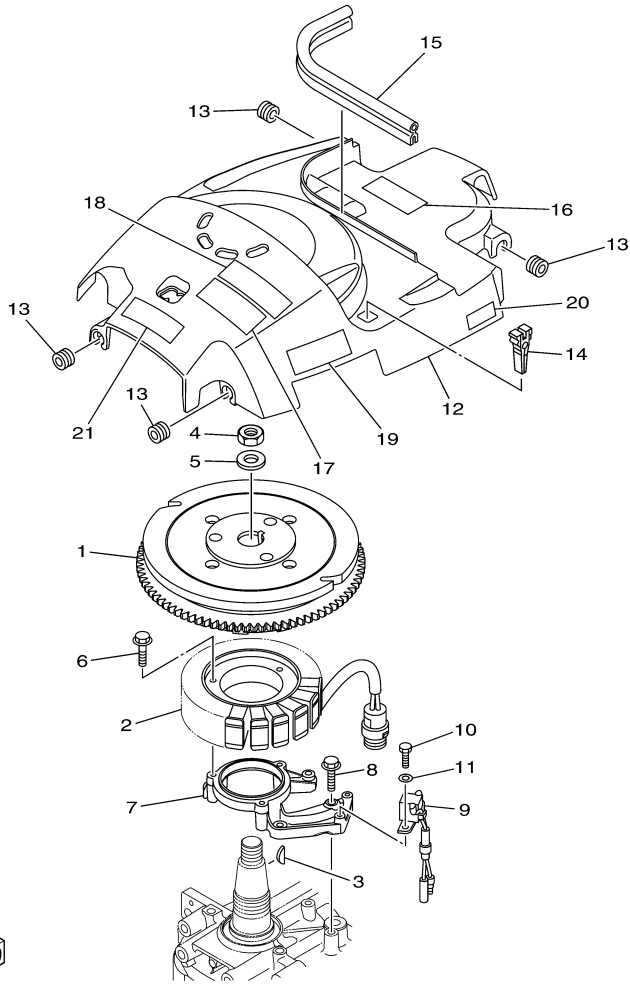
©2014 Yamaha Motor Corporation, U.S.A. All rights reserved.

Part List

F40JEHA 0410 / FUEL 2

| REF - NO | PART NUMBER | PART NAME | QUANTITY | REMARKS |
|----------------|-----------------|-------------------|----------|---------|
| 1 | 6YK-24306-60-00 | FUEL PIPE COMP. 1 | 1 | AP |

F40JEHA 0410 / GENERATOR



6BG3110-K130

©2014 Yamaha Motor Corporation, U.S.A. All rights reserved.


Part List

F40JEHA 0410 / GENERATOR

| REF - NO | PART NUMBER | PART NAME | QUANTITY | REMARKS |
|----------------|-----------------|--------------------|----------|---------|
| 1 | 6BG-81450-00-00 | ROTOR ASSY | 1 | |
| 2 | 6BG-81410-00-00 | STATOR ASSY | 1 | |
| 3 | 6H4-11545-00-00 | KEY, WOODRUFF | 1 | |
| 4 | 90170-20137-00 | NUT | 1 | |
| 5 | 90201-21M18-00 | WASHER, PLATE | 1 | |
| 6 | 95023-06030-00 | BOLT | 3 | |
| 7 | 6BG-85561-00-94 | BASE, MAGNETO | 1 | |
| 8 | 95023-06030-00 | BOLT | 4 | |
| 9 | 6AH-85580-00-00 | COIL, PULSER | 1 | |
| 10 | 97095-05016-00 | .BOLT | 2 | |
| 11 | 92995-05600-00 | WASHER | 2 | |
| 12 | 6BG-81337-00-00 | COVER, FLYWHEEL | 1 | |
| 13 | 90480-12314-00 | GROMMET | 4 | |
| 14 | 67F-2812A-00-00 | .PULLER, FUSE | 1 | |
| 15 | 6BG-42617-00-00 | DAMPER, FORM | 1 | |
| 16 | 6BG-13437-40-00 | MARK, CAUTION | 1 | |
| 17 | 6AH-81995-40-00 | LABEL, WARNING | 1 | |
| 18 | 6AH-81994-40-00 | LABEL, SAFETY | 1 | |
| 19 | 6BG-81919-00-00 | GRAPHIC, REGULATOR | 1 | |
| 20 | 6C5-82377-00-00 | LABEL | 1 | |

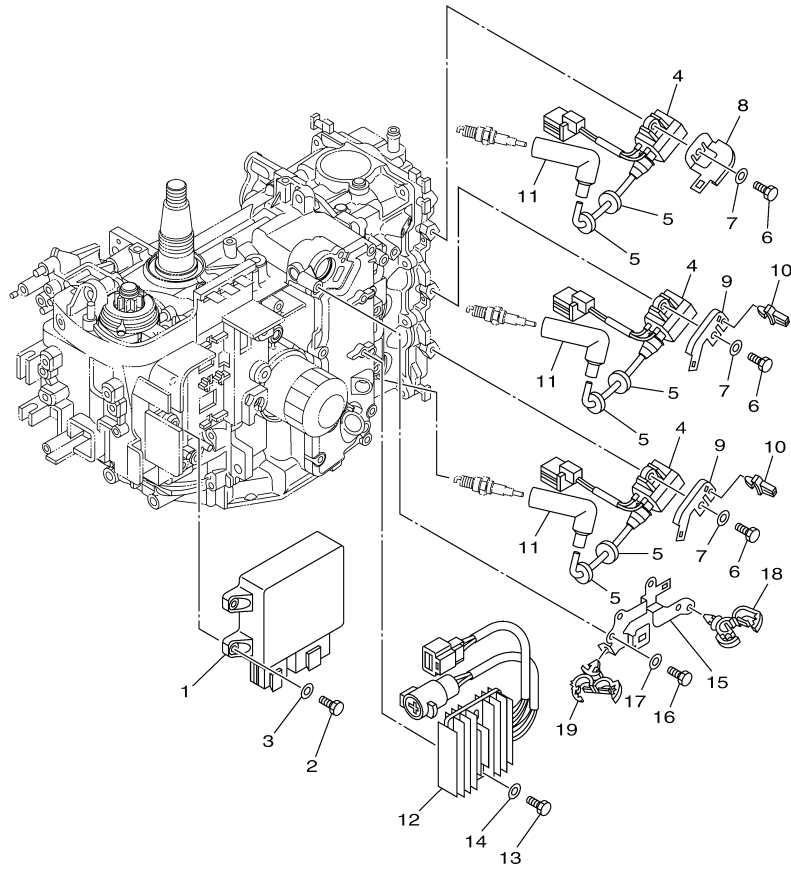
Part Notes

F40JEHA 0410 / GENERATOR

| PART NUMBER | NOTE TEXT |
|--|---|
| 90480-12314-00  | OEM: GROMMET used on F115TLR and F/LF115TXR 0510 Production and Later |

©2014 Yamaha Motor Corporation, U.S.A. All rights reserved.

F40JEHA 0410 / ELECTRICAL 1



6BG1100-H130

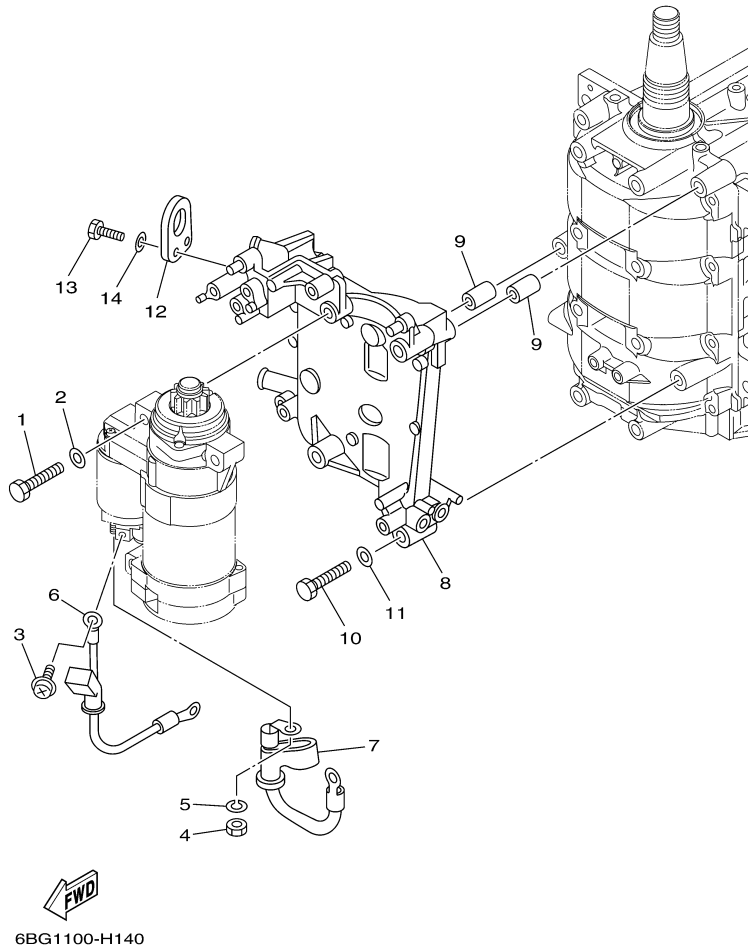
©2014 Yamaha Motor Corporation, U.S.A. All rights reserved.

Part List

F40JEHA 0410 / ELECTRICAL 1

| REF - NO | PART NUMBER | PART NAME | QUANTITY | REMARKS |
|----------------|-----------------|-------------------------------|----------|---------|
| 1 | 6BG-8591A-02-00 | ENGINE CONTROL UNIT ASSY | 1 | |
| 2 | 97095-06025-00 | BOLT | 4 | |
| 3 | 92995-06600-00 | WASHER | 4 | |
| 4 | 6BG-85570-00-00 | IGNITION COIL ASSY | 3 | |
| 5 | 90480-25003-00 | GROMMET | 6 | |
| 6 | 97095-06025-00 | BOLT | 3 | |
| 7 | 92995-06600-00 | WASHER | 3 | |
| 8 | 6BG-82398-00-00 | PLATE 3 | 1 | |
| 9 | 6BG-82389-00-00 | PLATE 2 | 2 | |
| 10 | 90464-06001-00 | CLAMP | 2 | |
| 11 | 6AH-82370-00-00 | PLUG CAP ASSY | 3 | |
| 12 | 6BG-81960-00-00 | RECTIFIER & REGULATOR ASSY | 1 | |
| 13 | 97095-06025-00 | BOLT | 2 | |
| 14 | 92995-06600-00 | WASHER | 2 | |
| 15 | 6BG-81528-00-00 | CLAMP 1 | 1 | |
| 16 | 97095-06016-00 | BOLT | 2 | |
| 17 | 92995-06600-00 | WASHER | 2 | |
| 18 | 90464-13249-00 | CLAMP | 3 | |
| 19 | 90464-18246-00 | CLAMP | 1 | |

F40JEHA 0410 / ELECTRICAL 2



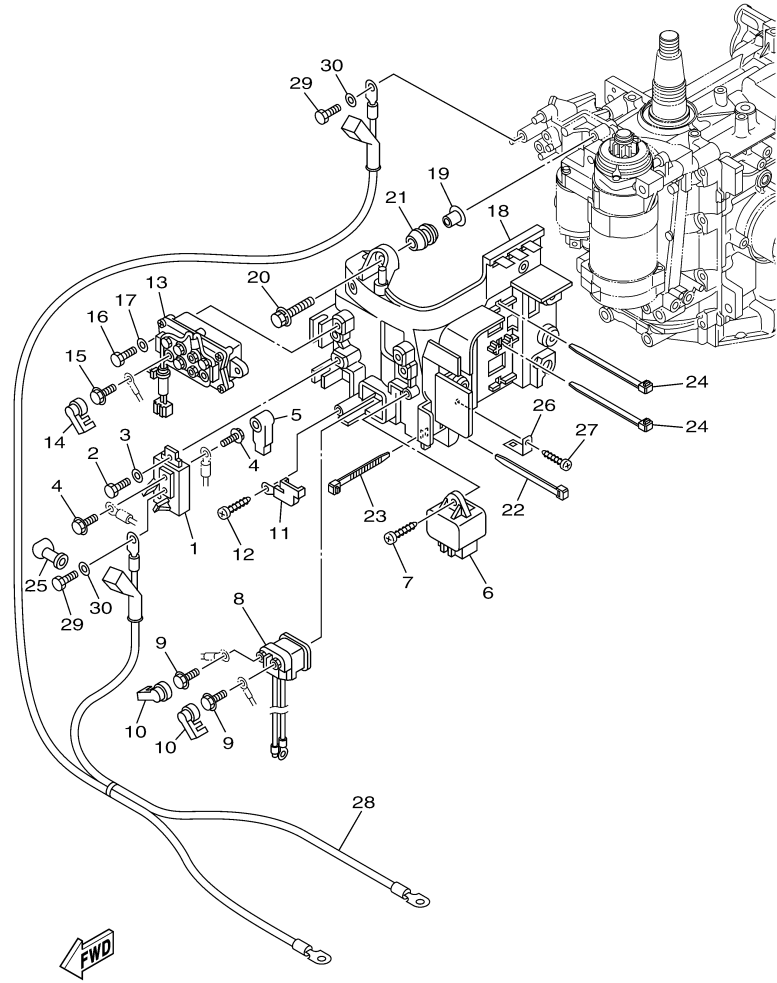
©2014 Yamaha Motor Corporation, U.S.A. All rights reserved.

Part List

F40JEHA 0410 / ELECTRICAL 2

| REF - NO | PART NUMBER | PART NAME | QUANTITY | REMARKS |
|----------------|-----------------|-------------------------|----------|---------|
| 1 | 97013-08045-00 | BOLT | 3 | |
| 2 | 92903-08600-00 | WASHER, PLATE | 3 | |
| 3 | 90159-05M12-00 | SCREW, WITH WASHER | 1 | |
| 4 | 95333-08600-00 | NUT | 1 | |
| 5 | 92903-08100-00 | WASHER, SPRING | 1 | |
| 6 | 6BG-81815-00-00 | CORD, STARTER MOTOR | 1 | |
| 7 | 6BG-82115-00-00 | WIRE, PLUS LEAD | 1 | |
| 8 | 6BG-81822-00-94 | BRACKET, STARTING MOTOR | 1 | |
| 9 | 99590-10114-00 | .PIN, DOWEL | 2 | |
| 10 | 97095-08045-00 | .BOLT | 4 | |
| 11 | 92995-08600-00 | WASHER | 4 | |
| 12 | 62Y-11119-00-00 | HANGER, ENGINE | 1 | |
| 13 | 97095-06020-00 | BOLT | 2 | |
| 14 | 92995-06600-00 | WASHER | 2 | |

F40JEHA 0410 / ELECTRICAL 3




6BG3110-K160

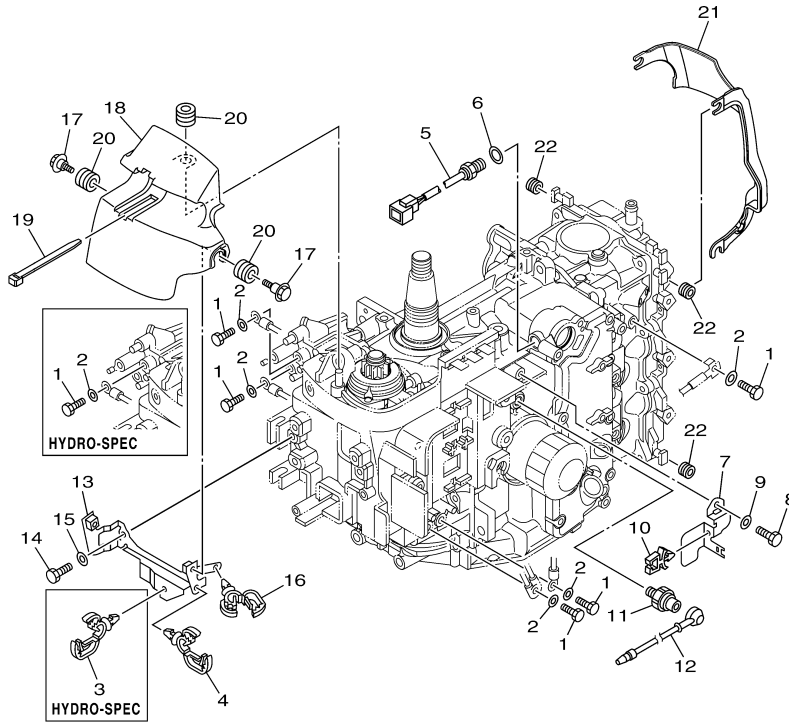
©2014 Yamaha Motor Corporation, U.S.A. All rights reserved.

Part List

F40JEHA 0410 / ELECTRICAL 3

| REF - NO | PART NUMBER | PART NAME | QUANTITY | REMARKS |
|----------------|-----------------|-----------------------|----------|---------|
| 1 | 6BG-81925-00-00 | TERMINAL | 1 | |
| 2 | 97095-06016-00 | BOLT | 1 | |
| 3 | 92995-06600-00 | WASHER | 1 | |
| 4 | 97595-06610-00 | BOLT, WITH WASHER | 2 | |
| 5 | 682-82119-01-00 | COVER, LEAD WIRE | 1 | |
| 6 | 60E-81950-00-00 | RELAY ASSY | 1 | |
| 7 | 97780-60620-00 | SCREW, TAPPING | 1 | |
| 8 | 6AW-8194A-00-00 | RELAY | 1 | |
| 9 | 97595-06610-00 | BOLT, WITH WASHER | 2 | |
| 10 | 6P2-8183X-00-00 | CAP, TERMINAL | 2 | |
| 11 | 68F-81953-00-00 | STAY, RELAY | 1 | |
| 12 | 97780-60620-00 | SCREW, TAPPING | 1 | |
| 18 | 6BG-81948-00-00 | BRACKET | 1 | |
| 19 | 90387-06119-00 | COLLAR | 6 | |
| 20 | 90119-06M59-00 | BOLT, WITH WASHER | 6 | |
| 21 | 6A0-82317-00-00 | DAMPER, IGNITION COIL | 6 | |
| 22 | 90465-13M24-00 | CLAMP | 1 | |
| 23 | 90465-13M39-00 | CLAMP | 1 | |
| 24 | 90465-14M66-00 | CLAMP | 2 | |
| 25 | 6G5-82119-00-00 | COVER, LEAD WIRE | 1 | |
| 26 | 68V-85548-00-00 | HOLDER | 1 | |
| 27 | 97780-60620-00 | SCREW, TAPPING | 1 | |
| 28 | 6BG-82105-U0-00 | BATTERY CABLE | 1 | AP |
| 29 | 97095-06016-00 | BOLT | 2 | AP |
| 30 | 92995-06600-00 | WASHER | 2 | AP |

F40JEHA 0410 / ELECTRICAL 4



6BG1100-H160

©2014 Yamaha Motor Corporation, U.S.A. All rights reserved.



Part List

F40JEHA 0410 / ELECTRICAL 4

| REF - NO | PART NUMBER | PART NAME | QUANTITY | REMARKS |
|----------------|-----------------|--------------------------|----------|---------|
| 1 | 97095-06016-00 | BOLT | 4 | |
| 2 | 92995-06600-00 | WASHER | 4 | |
| 3 | 90464-13249-00 | CLAMP | 1 | |
| 4 | 90464-13249-00 | CLAMP | 1 | |
| 5 | 6CJ-85790-00-00 | THERMOSENSOR ASSY | 1 | |
| 6 | 90430-14115-00 | .GASKET | 1 | |
| 7 | 6BG-82388-00-00 | PLATE | 1 | |
| 8 | 97095-06016-00 | BOLT | 1 | |
| 9 | 92995-06600-00 | WASHER | 1 | |
| 10 | 90464-06001-00 | CLAMP | 1 | |
| 11 | 64J-82504-00-00 | OIL PRESSURE SWITCH ASSY | 1 | |
| 12 | 68V-81315-00-00 | LEAD WIRE ASSY | 1 | |
| 13 | 6BG-8257V-00-00 | PLATE, CONNECTOR | 1 | |
| 14 | 97095-06016-00 | BOLT | 2 | |
| 15 | 92995-06600-00 | WASHER | 2 | |
| 16 | 90464-18246-00 | CLAMP | 1 | |
| 17 | 90109-06MA1-00 | BOLT | 2 | |
| 18 | 6BG-81942-00-00 | COVER | 1 | |
| 19 | 90465-13M24-00 | CLAMP | 1 | |
| 20 | 90480-12314-00 | GROMMET | 3 | |
| 21 | 6BG-11192-00-00 | COVER, CYLINDER HEAD 2 | 1 | |
| 22 | 90480-12314-00 | GROMMET | 3 | |

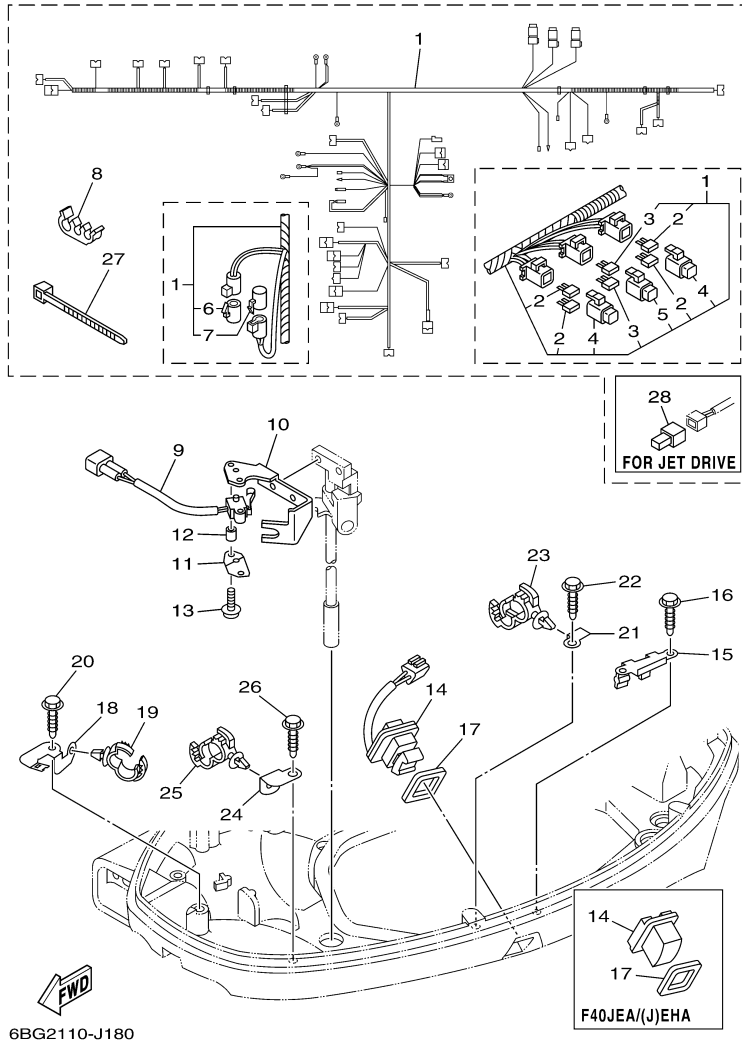
Part Notes

F40JEHA 0410 / ELECTRICAL 4

| PART NUMBER | | NOTE TEXT |
|----------------|---|---|
| 90480-12314-00 |  | OEM: GROMMET used on F115TLR and F/LF115TXR 0510 Production and Later |
| 90480-12314-00 |  | OEM: GROMMET used on F115TLR and F/LF115TXR 0510 Production and Later |

©2014 Yamaha Motor Corporation, U.S.A. All rights reserved.

F40JEHA 0410 / ELECTRICAL 5



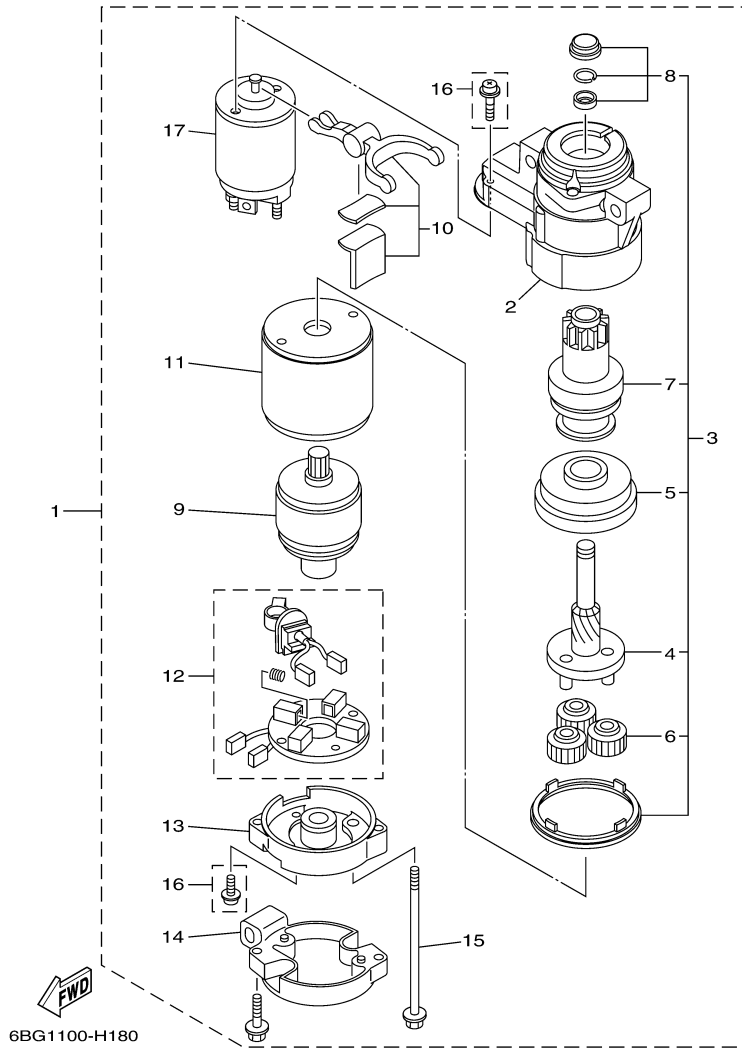
©2014 Yamaha Motor Corporation, U.S.A. All rights reserved.

Part List

F40JEHA 0410 / ELECTRICAL 5

| REF - NO | PART NUMBER | PART NAME | QUANTITY | REMARKS |
|----------------|-----------------|----------------------|----------|---------------|
| 1 | 6BG-82590-12-00 | WIRE HARNESS ASSY | 1 | |
| 2 | 67F-82151-00-00 | .FUSE (20A) | 4 | |
| 3 | 67F-82151-10-00 | .FUSE (30A) | 2 | |
| 4 | 67F-8215B-10-00 | .CAP (YELLOW) | 2 | |
| 5 | 67F-8215B-20-00 | .CAP (GREEN) | 1 | |
| 8 | 90464-11008-00 | CLAMP | 1 | |
| 10 | 6C5-82554-01-00 | STAY, NEUTRAL SWITCH | 1 | |
| 14 | 69J-42723-00-8D | COVER, BOTTOM | 1 | |
| 15 | 6BG-83614-00-00 | BRACKET | 1 | |
| 16 | 90109-06M86-00 | BOLT | 2 | |
| 17 | 69J-82587-00-00 | GASKET | 1 | |
| 18 | 6BG-42811-00-00 | STAY | 1 | |
| 19 | 90464-20181-00 | CLAMP | 1 | |
| 20 | 90109-06M86-00 | BOLT | 1 | |
| 21 | 6BG-42743-00-00 | BRACKET | 1 | |
| 22 | 90109-06M86-00 | BOLT | 1 | |
| 23 | 90464-20181-00 | CLAMP | 1 | |
| 24 | 63P-42756-00-00 | STAY, CLAMP | 1 | |
| 25 | 90464-20181-00 | CLAMP | 1 | |
| 26 | 90109-06M86-00 | BOLT | 1 | |
| 27 | 90465-13M97-00 | CLAMP | 1 | |
| 28 | 68V-82582-10-00 | COVER, WIRE HARNESS | 1 | FOR JET-DRIVE |

F40JEHA 0410 / STARTING MOTOR



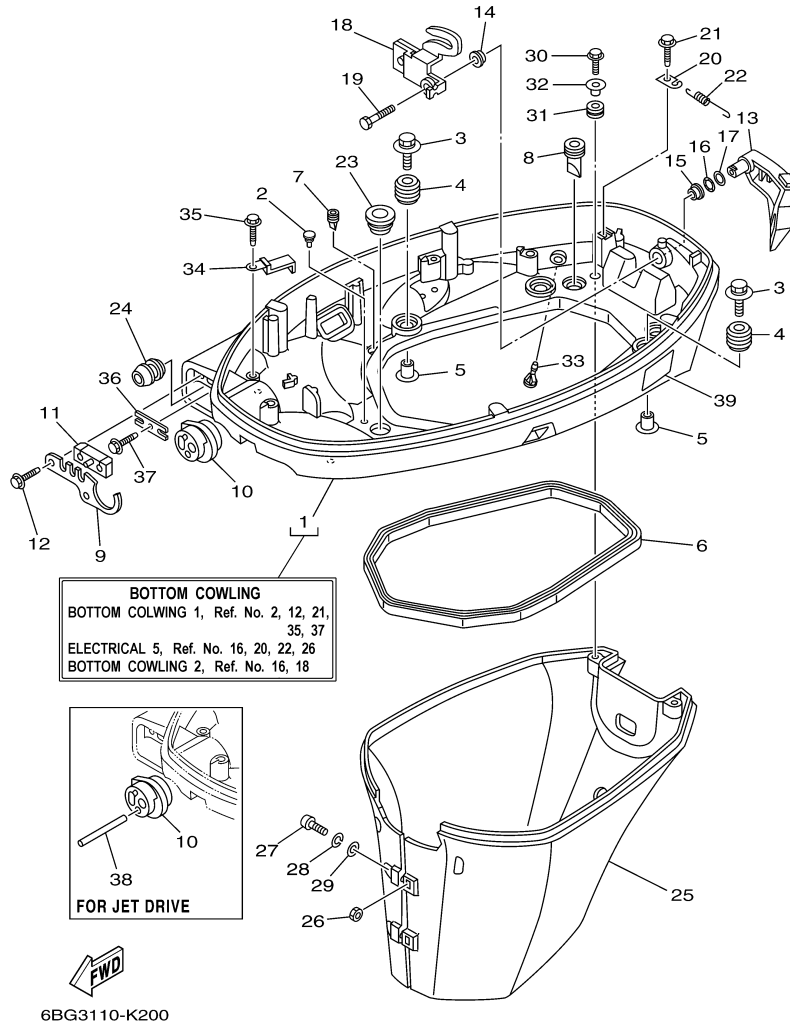
©2014 Yamaha Motor Corporation, U.S.A. All rights reserved.

Part List

F40JEHA 0410 / STARTING MOTOR

| REF - NO | PART NUMBER | PART NAME | QUANTITY | REMARKS |
|----------------|-----------------|-------------------------------|----------|---------|
| 1 | 6BG-81800-00-00 | STARTING MOTOR ASSY | 1 | |
| 2 | 6BG-81830-00-00 | .FRONT BRACKET ASSY | 1 | |
| 3 | 6BG-81807-00-00 | .GEAR ASSY, STARTING MOTOR | 1 | |
| 4 | 6BG-81836-00-00 | ..SPRING, LEVER | 1 | |
| 5 | 6BG-81891-00-00 | ..GEAR, RING | 1 | |
| 6 | 6AW-8183T-00-00 | ..GEAR, IDLER | 3 | |
| 7 | 6BG-81832-00-00 | ..CLUTCH, OVER RUN | 1 | |
| 8 | 6BG-81857-00-00 | ..RETAINER | 1 | |
| 9 | 6BG-81850-00-00 | .ARMATURE ASSY | 1 | |
| 10 | 6BG-81839-00-00 | .LEVER ASSY | 1 | |
| 11 | 6BG-81810-00-00 | .STATOR ASSY | 1 | |
| 12 | 6BG-81840-00-00 | .BRUSH HOLDER ASSY | 1 | |
| 13 | 6BG-81820-00-00 | .REAR BRACKET ASSY | 1 | |
| 14 | 6BG-8182J-00-00 | .BRACKET COMPLETE | 1 | |
| 15 | 6BG-81826-00-00 | .BOLT | 2 | |
| 16 | 6BG-81846-00-00 | .SCREW SET | 1 | |
| 17 | 6BG-81941-00-00 | .STARTER RELAY ASSY | 1 | |

F40JEHA 0410 / BOTTOM COWLING 1



©2014 Yamaha Motor Corporation, U.S.A. All rights reserved.


Part List

F40JEHA 0410 / BOTTOM COWLING 1

| REF - NO | PART NUMBER | PART NAME | QUANTITY | REMARKS |
|----------------|-----------------|--------------------------|----------|---------------|
| 1 | 6BG-42710-01-8D | BOTTOM COWLING ASSY | 1 | |
| 2 | 6H4-42748-00-00 | GROMMET | 3 | |
| 3 | 90119-06M61-00 | BOLT, WITH WASHER | 4 | |
| 4 | 6BG-42748-00-00 | GROMMET | 4 | |
| 5 | 90387-06060-00 | COLLAR | 4 | |
| 6 | 62Y-42716-00-00 | RUBBER, SEAL 1 | 1 | |
| 7 | 65W-42717-00-00 | RUBBER, SEAL 2 | 2 | |
| 8 | 61A-42717-00-00 | RUBBER, SEAL 2 | 2 | |
| 9 | 6BG-42761-00-00 | STOPPER | 1 | |
| 10 | 6BG-42725-00-00 | GROMMET | 1 | |
| 11 | 6BG-42727-00-00 | GROMMET | 1 | |
| 12 | 90109-06M86-00 | BOLT | 2 | |
| 13 | 6BG-42815-00-8D | LEVER, CLAMP | 1 | |
| 14 | 90386-12M37-00 | BUSH | 1 | |
| 15 | 90386-12MA2-00 | BUSH | 1 | |
| 16 | 90206-12052-00 | WASHER, WAVE | 1 | |
| 17 | 90201-12M07-00 | WASHER, PLATE | 1 | |
| 18 | 6BG-42816-00-00 | LEVER, CLAMP | 1 | |
| 19 | 97095-06014-00 | BOLT | 1 | |
| 20 | 66T-43144-00-00 | HOOK, SPRING | 1 | |
| 21 | 90109-06M86-00 | BOLT | 1 | |
| 22 | 90506-18M40-00 | SPRING, TENSION | 1 | |
| 23 | 68U-42727-00-00 | GROMMET | 1 | |
| 24 | 6BG-24329-00-00 | SEAL | 1 | |
| 25 | 6BG-42741-00-8D | APRON | 1 | S(16.1") |
| 26 | 95380-06600-00 | NUT, HEXAGON | 2 | |
| 27 | 97880-06025-00 | SCREW, PAN HEAD | 2 | |
| 28 | 92990-06100-00 | ..WASHER, SPRING | 2 | |
| 29 | 92990-06600-00 | WASHER, PLATE | 2 | |
| 30 | 90109-06M80-00 | .BOLT | 2 | |
| 31 | 90480-13M24-00 | GROMMET | 2 | |
| 32 | 90387-06M43-00 | COLLAR | 2 | |
| 33 | 6BL-44391-00-00 | NIPPLE, HOSE | 1 | |
| 34 | 90462-20005-00 | CLAMP | 1 | |
| 35 | 90109-06M86-00 | BOLT | 1 | |
| 36 | 6BG-48538-00-00 | CLAMP, CABLE 1 | 1 | |
| 37 | 90109-06M86-00 | BOLT | 1 | |
| 38 | 60V-42629-00-00 | .SEAL | 1 | FOR JET-DRIVE |
| 39 | 6AH-42794-40-00 | LABEL, WARNING (GENERAL) | 1 | |

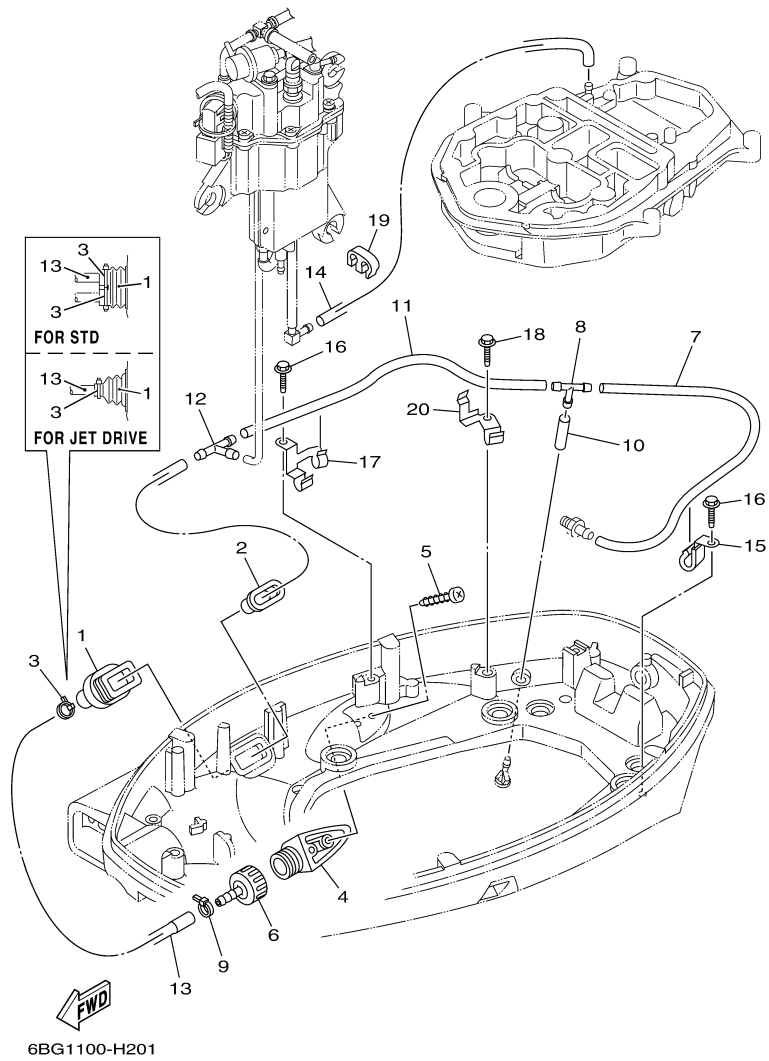
Part Notes

F40JEHA 0410 / BOTTOM COWLING 1

| PART NUMBER | NOTE TEXT |
|--|--|
| 92990-06600-00  | OEM: This part number is among the Top 100 Most Popular Marine Maintenance Parts as of March 2014. |

©2014 Yamaha Motor Corporation, U.S.A. All rights reserved.

F40JEHA 0410 / BOTTOM COWLING 2



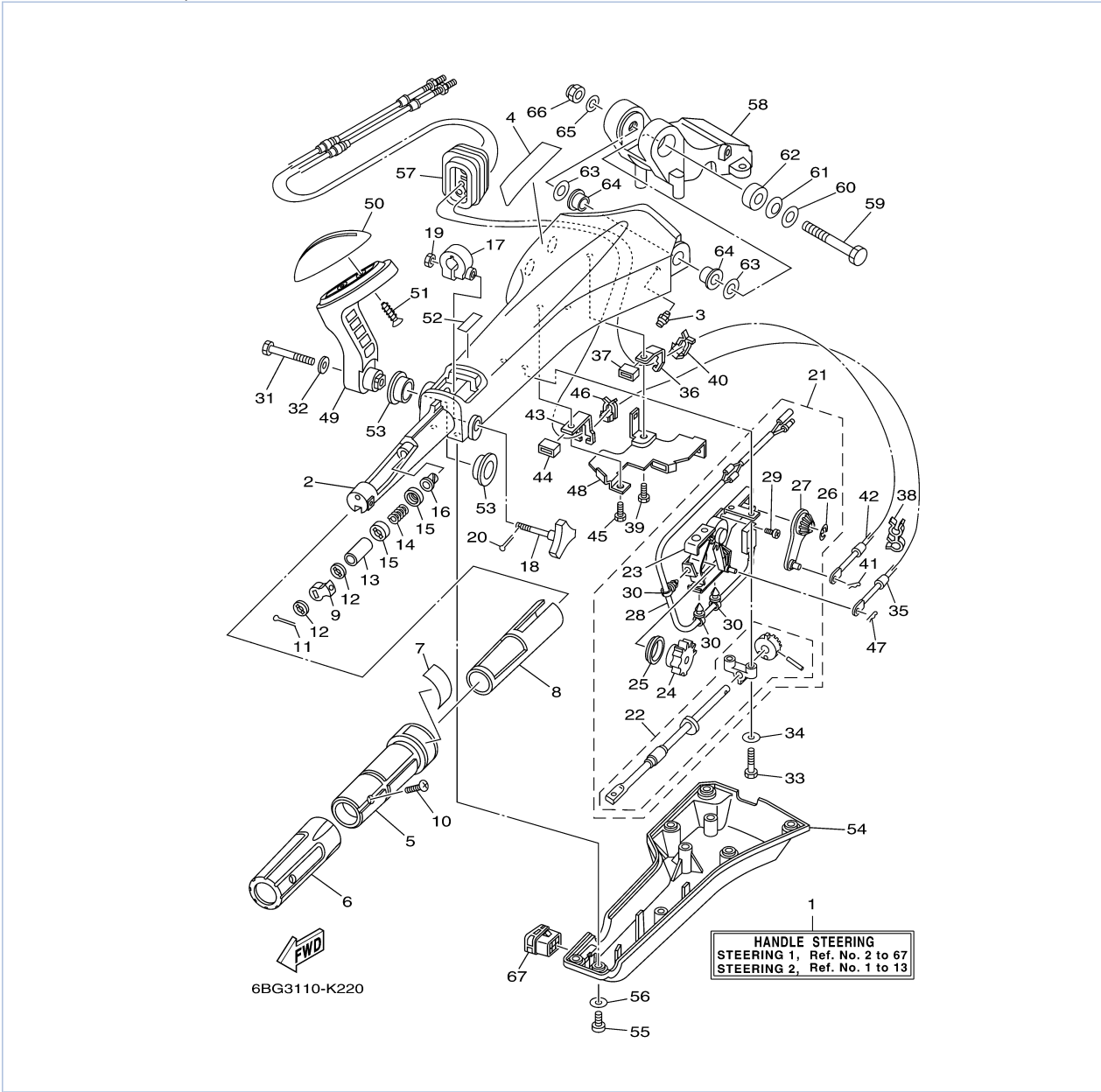
©2014 Yamaha Motor Corporation, U.S.A. All rights reserved.

Part List

F40JEHA 0410 / BOTTOM COWLING 2

| REF - NO | PART NUMBER | PART NAME | QUANTITY | REMARKS |
|----------------|-----------------|----------------|----------|---------------|
| 1 | 6BG-42724-00-00 | GROMMET | 1 | FOR JET-DRIVE |
| 2 | 6BG-42384-00-00 | SEAL, CAP | 1 | |
| 3 | 90465-11M10-00 | CLAMP | 1 | FOR JET-DRIVE |
| 4 | 6AW-12572-00-00 | ADAPTER | 1 | |
| 5 | 97780-60520-00 | SCREW, TAPPING | 2 | |
| 6 | 6R3-12580-00-00 | JOINT ASSY | 1 | |
| 7 | 90445-09035-00 | HOSE (L380) | 1 | |
| 8 | 688-24378-00-00 | PIPE, JOINT 3 | 1 | |
| 9 | 90465-11M10-00 | CLAMP | 1 | |
| 10 | 90445-09220-00 | HOSE (L30) | 1 | |
| 11 | 90445-09224-00 | HOSE (L270) | 1 | |
| 12 | 688-24378-00-00 | PIPE, JOINT 3 | 1 | |
| 13 | 6BG-12481-00-00 | PIPE 1 | 1 | |
| 14 | 6A1-24311-00-00 | PIPE, FUEL 1 | 1 | |
| 15 | 90462-08067-00 | CLAMP | 1 | |
| 16 | 90109-06M86-00 | BOLT | 2 | |
| 17 | 6BG-24135-01-00 | CLAMP 1 | 1 | |
| 18 | 90109-06M86-00 | BOLT | 1 | |
| 19 | 90464-09M21-00 | CLAMP | 1 | |
| 20 | 6BG-24136-01-00 | CLAMP 2 | 1 | |

F40JEHA 0410 / STEERING 1



©2014 Yamaha Motor Corporation, U.S.A. All rights reserved.

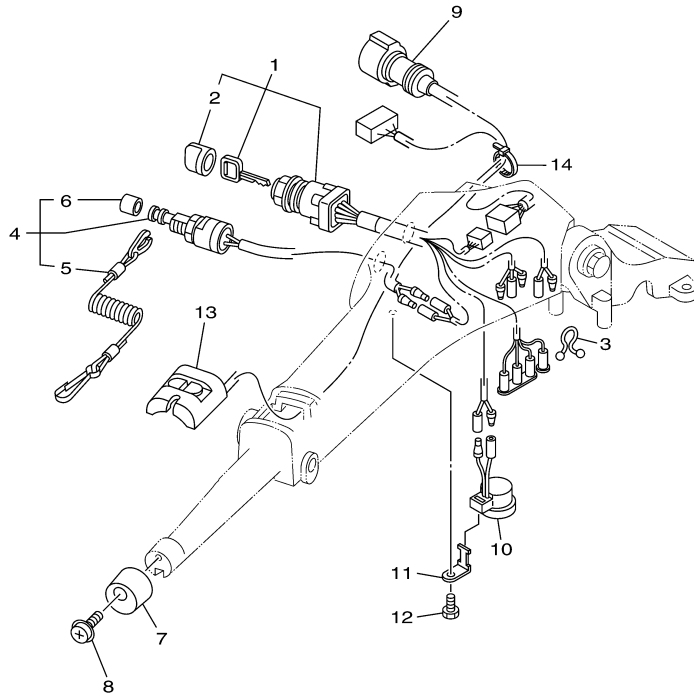
Part List

F40JEHA 0410 / STEERING 1

| REF - NO | PART NUMBER | PART NAME | QUANTITY | REMARKS |
|----------------|-----------------|------------------------------------|----------|---------|
| 1 | 6BC-42101-11-00 | HANDLE, STEERING | 1 | |
| 2 | 6X4-42111-02-8D | HANDLE, STEERING | 1 | |
| 3 | 93700-06M03-00 | NIPPLE, GREASE | 1 | |
| 4 | 6X4-48215-00-00 | GRAPHIC | 1 | |
| 5 | 6X4-42119-01-00 | GRIP, STEERING HANDLE | 1 | |
| 6 | 6X4-42177-00-00 | RUBBER, HANDLE | 1 | |
| 7 | 6X4-42137-00-00 | INDICATOR, THROTTLE | 1 | |
| 8 | 6X4-41291-00-00 | BUSHING | 1 | |
| 9 | 6X4-44139-01-00 | COLLAR | 1 | |
| 10 | 90152-05007-00 | SCREW, COUNTERSUNK | 1 | |
| 11 | 91490-20010-00 | PIN. COTTER | 1 | |
| 12 | 6X4-44177-00-00 | WASHER | 2 | |
| 13 | 6X4-42128-00-00 | COLLAR, DISTANCE 1 | 1 | |
| 14 | 90501-23215-00 | SPRING, COMPRESSION | 1 | |
| 15 | 6X4-44188-00-00 | WASHER | 2 | |
| 16 | 90386-08032-00 | BUSH | 1 | |
| 17 | 63D-42126-00-00 | FRICITION, STEERING HANDLE GRIP | 1 | |
| 18 | 6X4-48154-00-00 | KNOB, THROTTLE | 1 | |
| 19 | 95380-06600-00 | NUT, HEXAGON | 1 | |
| 20 | 91490-20010-00 | PIN. COTTER | 1 | |
| 21 | 6X4-44100-00-00 | SHIFT LINK ASSY | 1 | |
| 22 | 6X4-42115-00-00 | .SHAFT, STEERING HANDLE | 1 | |
| 23 | 6X4-44102-00-00 | .SHIFT ASSIST ASSY | 1 | |
| 24 | 6X4-47731-00-00 | .GEAR, DRIVE | 1 | |
| 25 | 6X4-44132-00-00 | .BUSHING | 1 | |
| 26 | 6X4-14137-00-00 | .CLIP | 1 | |
| 27 | 6X4-48261-00-00 | .ARM, THROTTLE | 1 | |
| 28 | 6X4-82540-00-00 | .NEUTRAL SWITCH ASSY | 1 | |
| 29 | 6A5-48129-10-00 | .SCREW 3 | 2 | |
| 30 | 6X4-42821-00-00 | .BAND, CLAMP | 3 | |
| 31 | 97095-08040-00 | BOLT | 1 | |
| 32 | 92995-08600-00 | WASHER | 1 | |
| 33 | 97095-06030-00 | BOLT | 2 | |
| 34 | 92995-06600-00 | WASHER | 2 | |
| 35 | 67C-48321-11-00 | CABLE | 1 | |
| 36 | 6X4-48538-00-00 | CLAMP, CABLE 1 | 1 | |
| 37 | 6X4-26367-00-00 | PROTECTOR | 1 | |
| 38 | 90464-09M42-00 | CLAMP | 1 | |
| 39 | 97095-06014-00 | BOLT | 1 | |
| 40 | 63D-48538-00-00 | CLAMP, CABLE 1 | 1 | |
| 41 | 90468-10005-00 | CLIP | 1 | |
| 42 | 69W-26301-00-00 | THROTTLE CABLE ASSY | 1 | |
| 43 | 6X4-48538-10-00 | CLAMP, CABLE 1 | 1 | |
| 44 | 6X4-26367-00-00 | PROTECTOR | 1 | |
| 45 | 97095-06014-00 | BOLT | 1 | |
| 46 | 63D-48538-00-00 | CLAMP, CABLE 1 | 1 | |
| 47 | 90468-10005-00 | CLIP | 1 | |
| 48 | 6X4-42159-00-00 | STAY | 1 | |
| 49 | 6X4-44159-00-8D | HANDLE, GEAR SHIFT | 1 | |
| 50 | 6X4-44173-00-00 | LEVER, SHIFT CONTROL | 1 | |
| 51 | 97780-60920-00 | SCREW, TAPPING | 2 | |
| 52 | 6G8-44191-00-00 | INDICATOR, SHIFT | 1 | |
| 53 | 90386-26MA3-00 | BUSH | 2 | |

| | | | | |
|----|-----------------|------------------------|---|--|
| 54 | 6X4-42131-01-00 | COVER, HANDLE STEERING | 1 | |
| 55 | 97885-06016-00 | SCREW, PAN HEAD | 6 | |
| 56 | 92995-06600-00 | WASHER | 6 | |
| 57 | 6X4-42725-01-00 | GROMMET | 1 | |
| 58 | 63D-42121-22-8D | BRACKET | 1 | |
| 59 | 90101-12014-00 | BOLT | 1 | |
| 60 | 92990-12200-00 | WASHER, PLAIN | 1 | |
| 61 | 90206-12M22-00 | WASHER, WAVE | 1 | |
| 62 | 90387-12M02-00 | COLLAR | 1 | |
| 63 | 90201-12035-00 | WASHER, PLATE | 2 | |
| 64 | 90386-12003-00 | BUSH | 2 | |
| 65 | 92990-12600-00 | WASHER, PLATE | 1 | |
| 66 | 90185-12M12-00 | NUT, SELF-LOCKING | 1 | |
| 67 | 6X4-42728-10-00 | CAP | 1 | |

F40JEHA 0410 / STEERING 2



6BG3110-K230

©2014 Yamaha Motor Corporation, U.S.A. All rights reserved.


Part List

F40JEHA 0410 / STEERING 2

| REF - NO | PART NUMBER | PART NAME | QUANTITY | REMARKS |
|----------------|-----------------|---------------------------------|----------|---------|
| 1 | 6X4-82510-00-00 | MAIN SWITCH ASSY | 1 | |
| 2 | 676-82577-00-00 | .CAP, KEY | 1 | |
| 3 | 90464-08M07-00 | CLAMP | 1 | |
| 4 | 69W-82575-00-00 | ENGINE STOP SWITCH ASSY | 1 | |
| 5 | 682-82556-00-00 | .LANYARD, STOP SWITCH | 1 | |
| 6 | 689-8257Y-00-00 | .CAP | 1 | |
| 7 | 6X4-42728-00-00 | CAP | 1 | |
| 8 | 97980-06216-00 | SCREW, WITH WASHER | 1 | |
| 9 | 6X4-82586-10-00 | EXT., WIRE HARNESS (L:950MM) | 1 | |
| 10 | 6X4-83383-00-00 | BUZZER | 1 | |
| 11 | 6X4-83386-00-00 | STAY, BUZZER | 1 | |
| 12 | 97095-06014-00 | BOLT | 1 | |
| 13 | 6X4-81860-00-00 | SWITCH ASSY | 1 | |
| 14 | 90465-13M36-00 | CLAMP | 1 | |

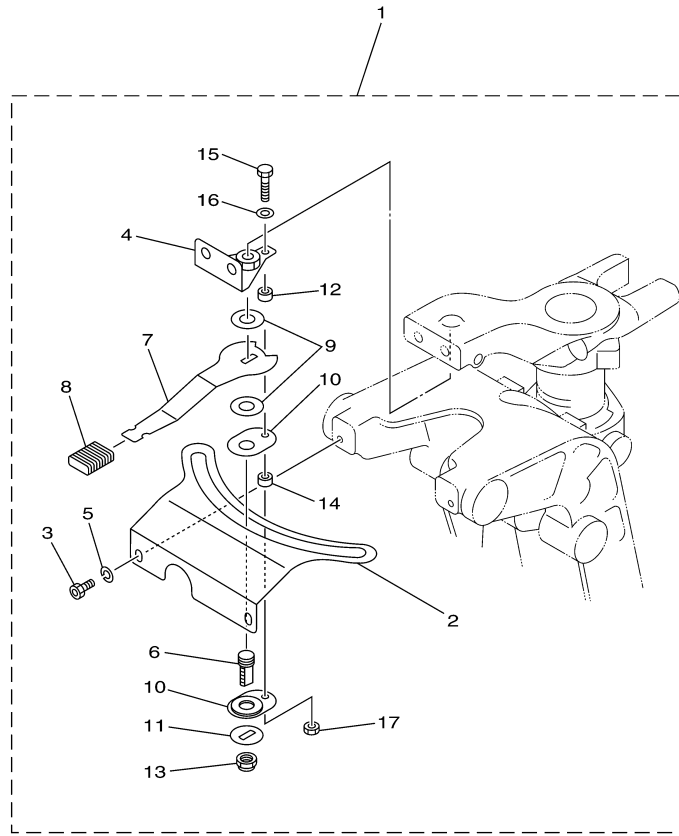
Part Notes

F40JEHA 0410 / STEERING 2

| PART NUMBER | NOTE TEXT |
|---|--|
| 682-82556-00-00  | OEM: This part number is among the Top 100 Most Popular Marine Maintenance Parts as of March 2014. |

©2014 Yamaha Motor Corporation, U.S.A. All rights reserved.

F40JEHA 0410 / STEERING FRICTION



67C3100-C200

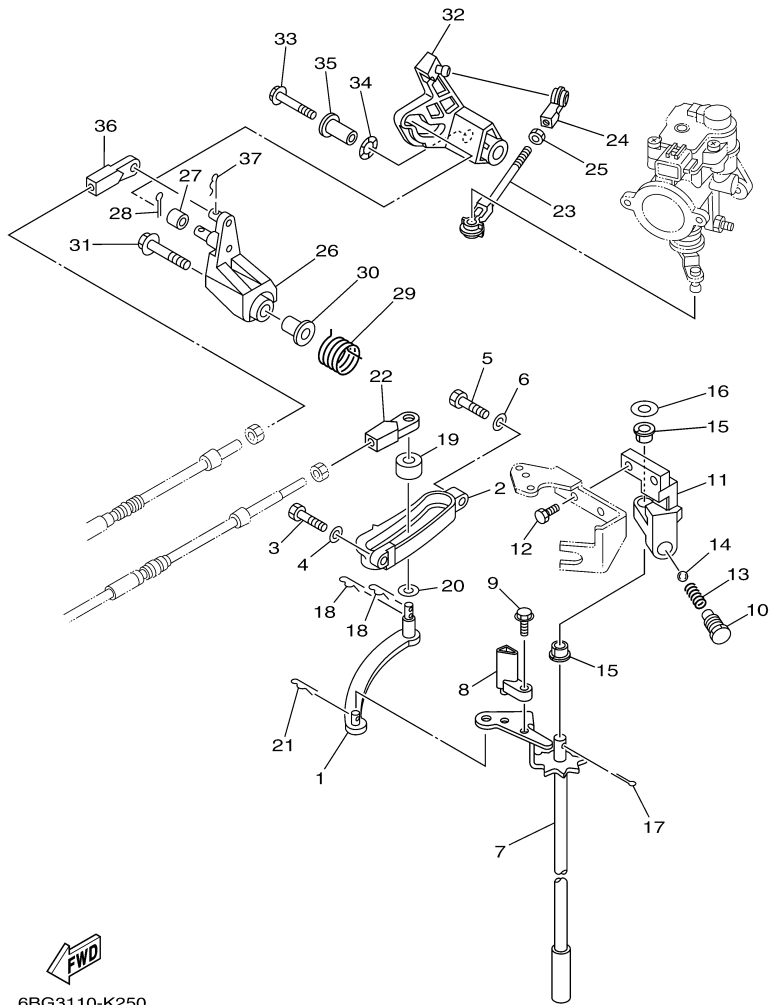
©2014 Yamaha Motor Corporation, U.S.A. All rights reserved.

Part List

F40JEHA 0410 / STEERING FRICTION

| REF - NO | PART NUMBER | PART NAME | QUANTITY | REMARKS |
|----------------|-----------------|------------------------|----------|---------|
| 1 | 67C-42508-03-00 | STEERING FRICTION ASSY | 1 | |
| 2 | 67C-42527-03-00 | .PLATE, FRICTION | 1 | |
| 3 | 90109-06M88-00 | .BOLT | 2 | |
| 4 | 67C-42525-00-00 | .PLATE, FRICTION | 1 | |
| 5 | 92990-06100-00 | .WASHER, SPRING | 2 | |
| 6 | 67C-42562-00-00 | .SHAFT, STEERING LOCK | 1 | |
| 7 | 67C-42561-00-00 | .KNOB, STEERING LOCK | 1 | |
| 8 | 689-43633-00-00 | .COVER, TILT LEVER | 1 | |
| 9 | 90202-10M56-00 | .WASHER, PLATE | 2 | |
| 10 | 65W-42528-00-00 | .PLATE, FRICTION | 2 | |
| 11 | 90209-10M26-00 | .WASHER | 1 | |
| 12 | 90387-05M05-00 | .COLLAR | 1 | |
| 13 | 90185-10M14-00 | .NUT, SELF-LOCKING | 1 | |
| 14 | 90387-05M11-00 | .COLLAR | 1 | |
| 15 | 97095-05020-00 | .BOLT | 1 | |
| 16 | 92995-05600-00 | .WASHER | 1 | |
| 17 | 95380-05600-00 | .NUT | 1 | |

F40JEHA 0410 / CONTROL



©2014 Yamaha Motor Corporation, U.S.A. All rights reserved.




Part List

F40JEHA 0410 / CONTROL

| REF - NO | PART NUMBER | PART NAME | QUANTITY | REMARKS |
|----------------|-----------------|------------------------------|----------|----------|
| 1 | 69W-44121-00-00 | LEVER, SHIFT ROD | 1 | |
| 2 | 62Y-44117-01-94 | BRACKET | 1 | |
| 3 | 97095-06020-00 | BOLT | 1 | |
| 4 | 92995-06600-00 | WASHER | 1 | |
| 5 | 97095-06025-00 | BOLT | 1 | |
| 6 | 92995-06600-00 | WASHER | 1 | |
| 7 | 6BG-44120-00-00 | HANDLE GEAR SHIFT ASSY | 1 | S(16.1") |
| 10 | 62Y-42715-01-00 | BUSHING | 1 | |
| 11 | 62Y-44118-00-94 | BRACKET | 1 | |
| 12 | 90101-06054-00 | BOLT | 2 | |
| 13 | 90501-12082-00 | SPRING, COMPRESSION | 1 | |
| 14 | 93501-04M02-00 | BALL | 1 | |
| 15 | 90386-90M90-00 | BUSH | 2 | |
| 16 | 90201-10M20-00 | .WASHER, PLATE | 1 | |
| 17 | 91490-20015-00 | PIN. COTTER | 1 | |
| 18 | 90468-18008-00 | CLIP | 2 | |
| 19 | 688-44122-00-00 | BUSHING, SHIFT ROD LEVER | 1 | |
| 20 | 90202-07M07-00 | WASHER, PLATE | 1 | |
| 21 | 90468-18008-00 | CLIP | 1 | |
| 22 | 69W-48344-00-00 | CABLE END, REMOTE CONTROL | 1 | |
| 23 | 6J8-41237-00-00 | JOINT, LINK | 1 | |
| 24 | 682-41237-00-00 | JOINT, LINK | 1 | |
| 25 | 95380-05700-00 | NUT | 1 | |
| 26 | 62Y-42154-00-00 | LEVER, THROTTLE CONTROL | 1 | |
| 27 | 6C5-42171-00-00 | BUSHING | 1 | |
| 28 | 91490-16010-00 | PIN. COTTER | 1 | |
| 29 | 62Y-44135-00-00 | SPRING | 1 | |
| 30 | 90387-06M45-00 | COLLAR | 1 | |
| 31 | 90119-06106-00 | BOLT, WITH WASHER | 1 | |
| 32 | 6BG-42335-00-00 | LEVER, ACCEL. CONTROL | 1 | |
| 33 | 95895-06045-00 | BOLT, FLANGE | 1 | |
| 34 | 90206-10M04-00 | WASHER, WAVE | 1 | |
| 35 | 90387-06225-00 | COLLAR | 1 | |
| 36 | 69W-48344-00-00 | CABLE END, REMOTE CONTROL | 1 | |
| 37 | 90468-18008-00 | CLIP | 1 | |

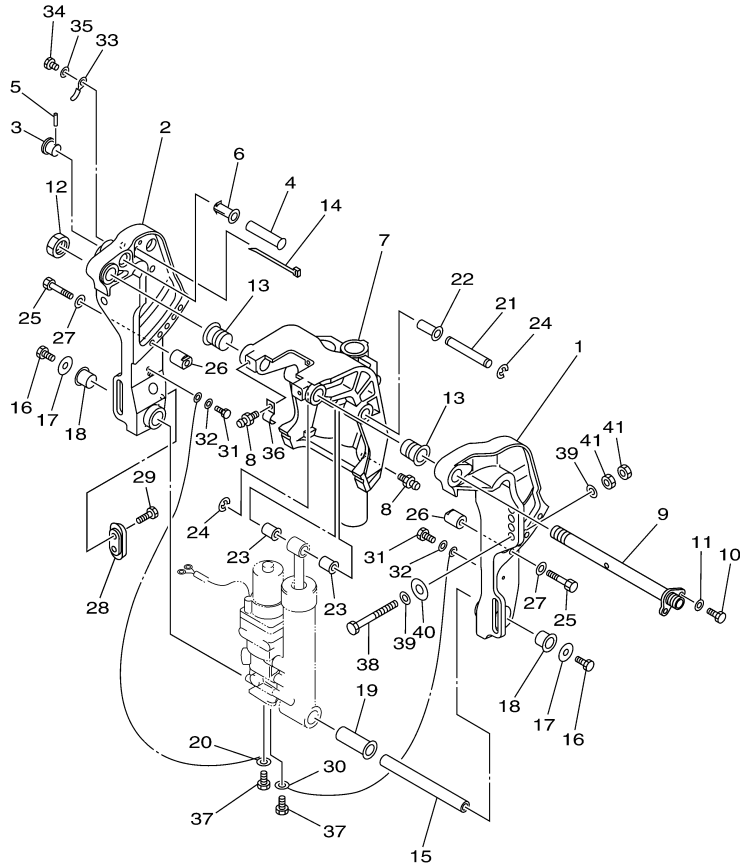
Part Notes

F40JEHA 0410 / CONTROL

| PART NUMBER | NOTE TEXT |
|--|--|
| 90468-18008-00  | OEM: This part number is among the Top 100 Most Popular Marine Maintenance Parts as of March 2014. |
| 90468-18008-00  | OEM: This part number is among the Top 100 Most Popular Marine Maintenance Parts as of March 2014. |
| 90468-18008-00  | OEM: This part number is among the Top 100 Most Popular Marine Maintenance Parts as of March 2014. |

©2014 Yamaha Motor Corporation, U.S.A. All rights reserved.

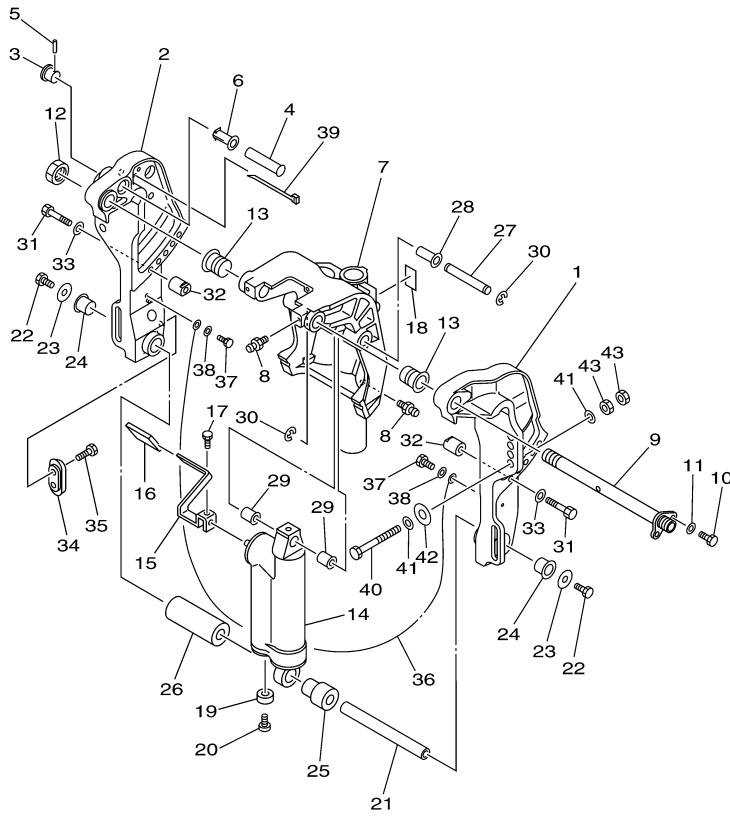
F40JEHA 0410 / BRACKET 1



6BG1110-H260

©2014 Yamaha Motor Corporation, U.S.A. All rights reserved.

F40JEHA 0410 / BRACKET 2



6BG1110-H270

©2014 Yamaha Motor Corporation, U.S.A. All rights reserved.


Part List

F40JEHA 0410 / BRACKET 2

| REF - NO | PART NUMBER | PART NAME | QUANTITY | REMARKS |
|----------|-----------------|-------------------------|----------|----------|
| 1 | 6K9-43111-10-8D | BRACKET, CLAMP 1 | 1 | |
| 2 | 6BG-43112-10-8D | BRACKET, CLAMP 2 | 1 | |
| 3 | 65W-43192-00-00 | KNOB, STOPPER | 1 | |
| 4 | 65W-43191-00-00 | SHAFT, STOPPER | 1 | |
| 5 | 91690-30018-00 | PIN, SPRING | 1 | |
| 6 | 90386-14MA1-00 | BUSH | 1 | |
| 7 | 6BG-43311-00-8D | BRACKET, SWIVEL 1 | 1 | S(16.1") |
| 8 | 93700-06M03-00 | NIPPLE, GREASE | 1 | |
| 9 | 6K9-43131-01-00 | BOLT, CLAMP BRACKET | 1 | |
| 10 | 97095-08020-00 | BOLT | 1 | |
| 11 | 92995-08600-00 | WASHER | 1 | |
| 12 | 90185-22M11-00 | NUT, SELF-LOCKING | 1 | |
| 13 | 90386-22MA4-00 | BUSH | 2 | |
| 14 | 67C-43107-01-8D | SHOCK ABSORBER SUB-ASSY | 1 | S(16.1") |
| 15 | 67C-43631-00-00 | LEVER, TILT | 1 | |
| 16 | 682-43318-01-00 | COVER | 1 | |
| 17 | 97095-06010-00 | BOLT | 1 | |
| 18 | 63D-43691-00-00 | INDICATOR, TILT | 1 | |
| 19 | 663-45251-00-00 | ANODE | 1 | |
| 20 | 98680-06525-00 | SCREW, OVAL HEAD | 1 | |
| 21 | 90249-18M35-00 | PIN | 1 | |
| 22 | 97080-08016-00 | BOLT | 2 | |
| 23 | 90201-08M00-00 | WASHER, PLATE | 2 | |
| 24 | 90386-18M44-00 | BUSH | 2 | |
| 25 | 90386-18MA5-00 | BUSH | 1 | |
| 26 | 90387-18M03-00 | COLLAR | 1 | |
| 27 | 90249-12M38-00 | PIN | 1 | |
| 28 | 90381-12M10-00 | BUSH, SOLID | 1 | |
| 29 | 90381-12M11-00 | BUSH, SOLID | 2 | |
| 30 | 99080-10600-00 | CIRCLIP | 2 | |
| 31 | 97095-10050-00 | BOLT | 2 | |
| 32 | 6BG-43654-00-00 | NUT 1 | 2 | |
| 33 | 92995-10600-00 | WASHER | 2 | |
| 34 | 65W-45251-00-00 | ANODE | 1 | |
| 35 | 90101-06020-00 | BOLT | 2 | |
| 36 | 67C-82127-20-00 | WIRE, LEAD 2 | 1 | |
| 37 | 97095-06014-00 | BOLT | 2 | |
| 38 | 92995-06600-00 | WASHER | 2 | |
| 40 | 90101-12M65-00 | BOLT | 4 | |
| 41 | 92995-12200-00 | WASHER | 8 | |
| 42 | 90201-12426-00 | WASHER, PLATE | 4 | |
| 43 | 95380-12600-00 | NUT | 8 | |

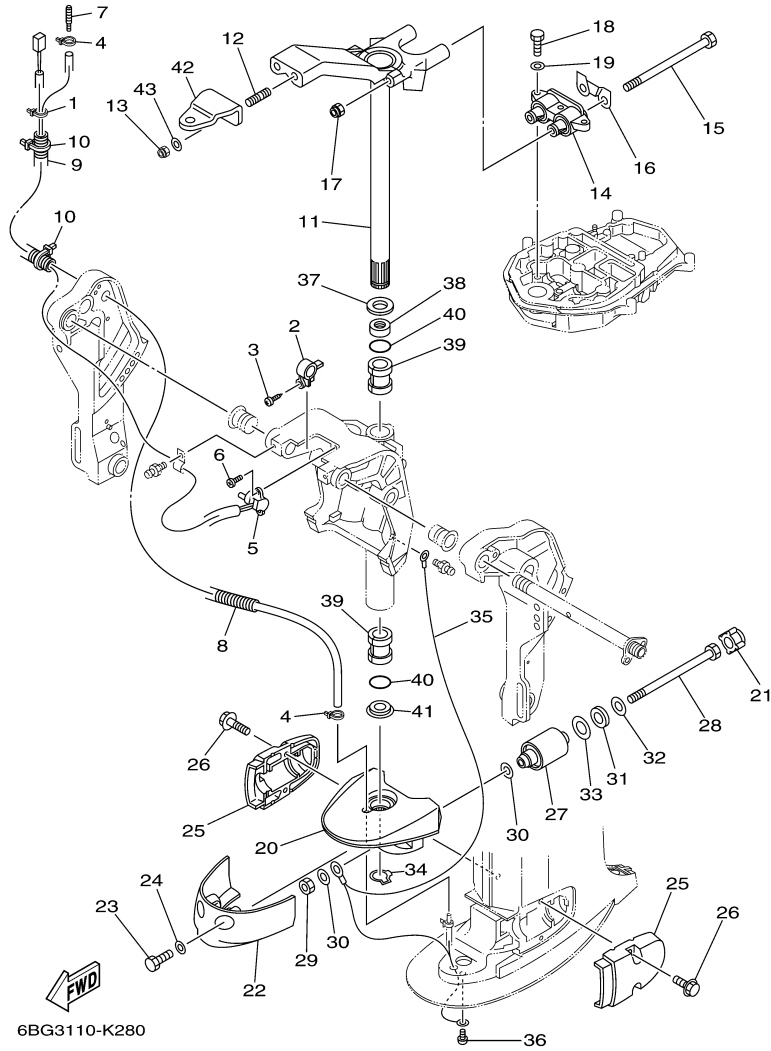
Part Notes

F40JEHA 0410 / BRACKET 2

| PART NUMBER | NOTE TEXT |
|---|--|
| 65W-45251-00-00  | OEM: This part number is among the Top 100 Most Popular Marine Maintenance Parts as of March 2014. |

©2014 Yamaha Motor Corporation, U.S.A. All rights reserved.

F40JEHA 0410 / BRACKET 3



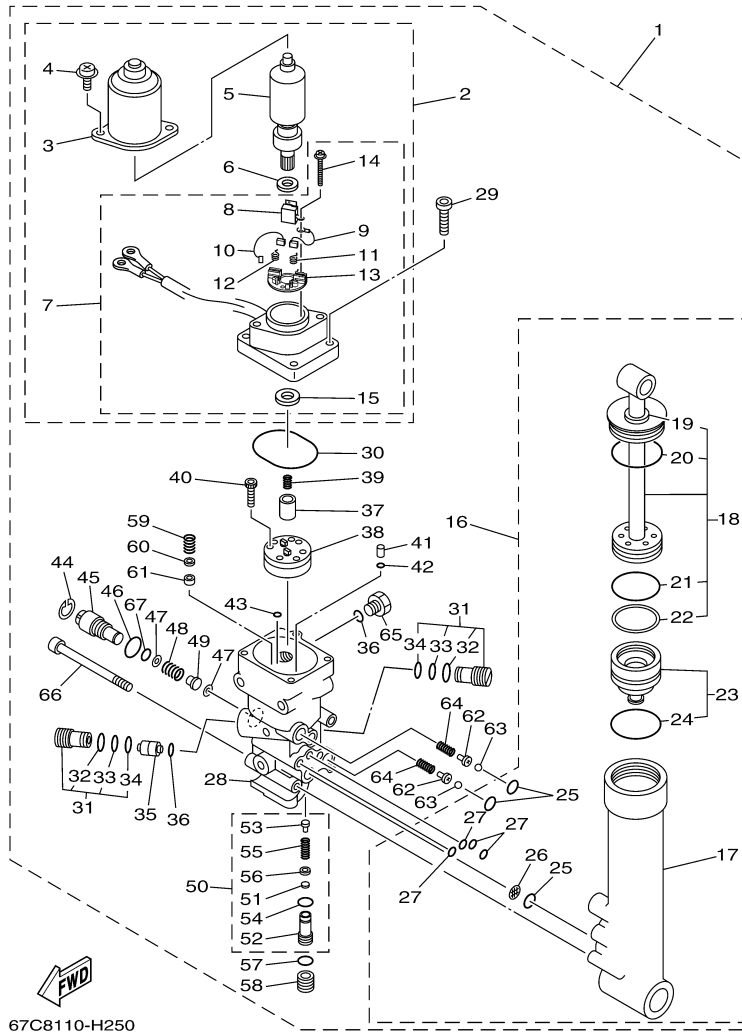
©2014 Yamaha Motor Corporation, U.S.A. All rights reserved.

Part List

F40JEHA 0410 / BRACKET 3

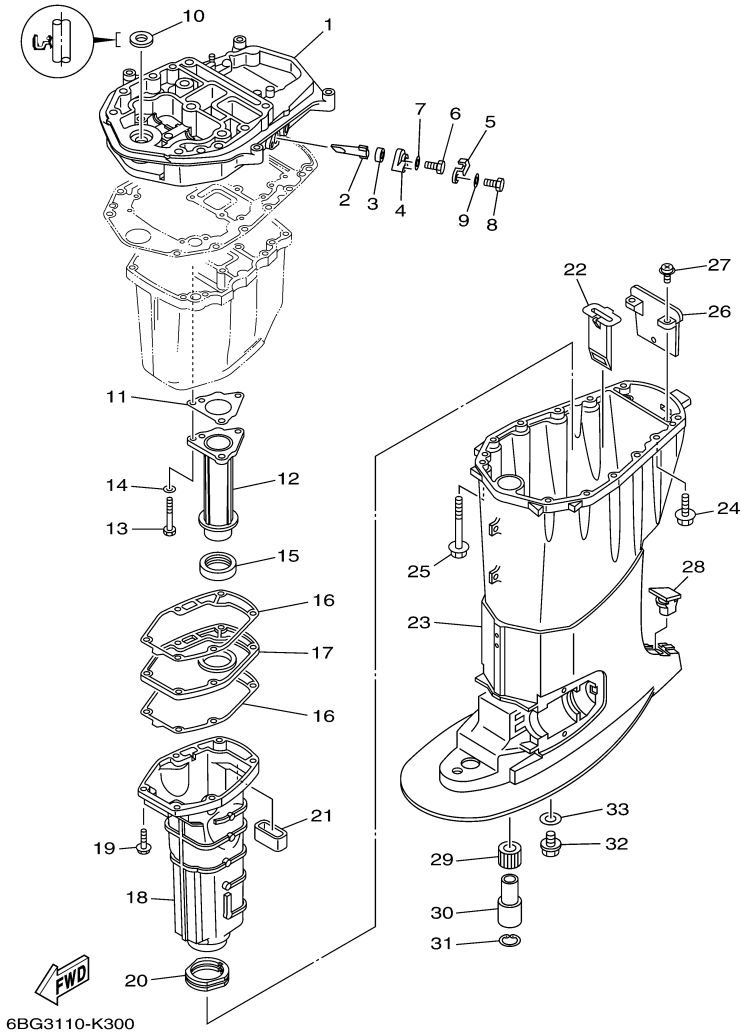
| REF - NO | PART NUMBER | PART NAME | QUANTITY | REMARKS |
|----------------|-----------------|----------------------------------|----------|----------|
| 11 | 6BG-42510-00-8D | STEERING BRACKET ASSY | 1 | S(16.1") |
| 12 | 90116-10M28-00 | BOLT, STUD | 2 | |
| 13 | 90185-10051-00 | NUT, SELF-LOCKING | 2 | |
| 14 | 67C-44514-00-94 | MOUNT DAMPER, UPPER SIDE | 1 | S(16.1") |
| 15 | 90101-08M15-00 | BOLT | 2 | |
| 16 | 66T-44526-30-00 | PLATE | 1 | |
| 17 | 90185-08045-00 | NUT, SELF-LOCKING | 2 | |
| 18 | 97075-08030-00 | BOLT | 3 | |
| 19 | 92995-08600-00 | WASHER | 3 | |
| 20 | 67C-44551-01-8D | HOUSING, LOWER MOUNT RUBBER 1 | 1 | S(16.1") |
| 21 | 69W-44575-00-00 | DAMPER, LOWER MOUNT RUBBER | 2 | |
| 25 | 6C5-44552-00-8D | HOUSING, LOWER MOUNT RUBBER 2 | 2 | |
| 26 | 90119-08131-00 | BOLT, WITH WASHER | 4 | |
| 27 | 67C-44555-21-00 | MOUNT DAMPER, LOWER SIDE | 2 | S(16.1") |
| 28 | 90109-12MA3-00 | BOLT | 2 | |
| 29 | 95380-12700-00 | NUT | 2 | |
| 30 | 90201-12M16-00 | WASHER, PLATE | 4 | |
| 31 | 90202-21100-00 | WASHER, PLATE | 2 | |
| 32 | 90201-13M19-00 | WASHER, PLATE | 2 | |
| 33 | 90201-22M05-00 | WASHER, PLATE | 2 | |
| 34 | 93410-28M06-00 | CIRCLIP | 1 | |
| 35 | 67C-82127-00-00 | WIRE, LEAD 2 | 1 | S(16.1") |
| 36 | 97885-06008-00 | SCREW, PAN HEAD | 1 | |
| 37 | 90201-30M00-00 | WASHER, PLATE | 1 | |
| 38 | 90386-30M78-00 | BUSH | 1 | |
| 39 | 90386-30M77-00 | BUSH | 2 | |
| 40 | 93210-29M94-00 | O-RING | 2 | |
| 41 | 90386-30M60-00 | BUSH | 1 | |

F40JEHA 0410 / POWER TRIM TILT ASSY



©2014 Yamaha Motor Corporation, U.S.A. All rights reserved.

F40JEHA 0410 / UPPER CASING



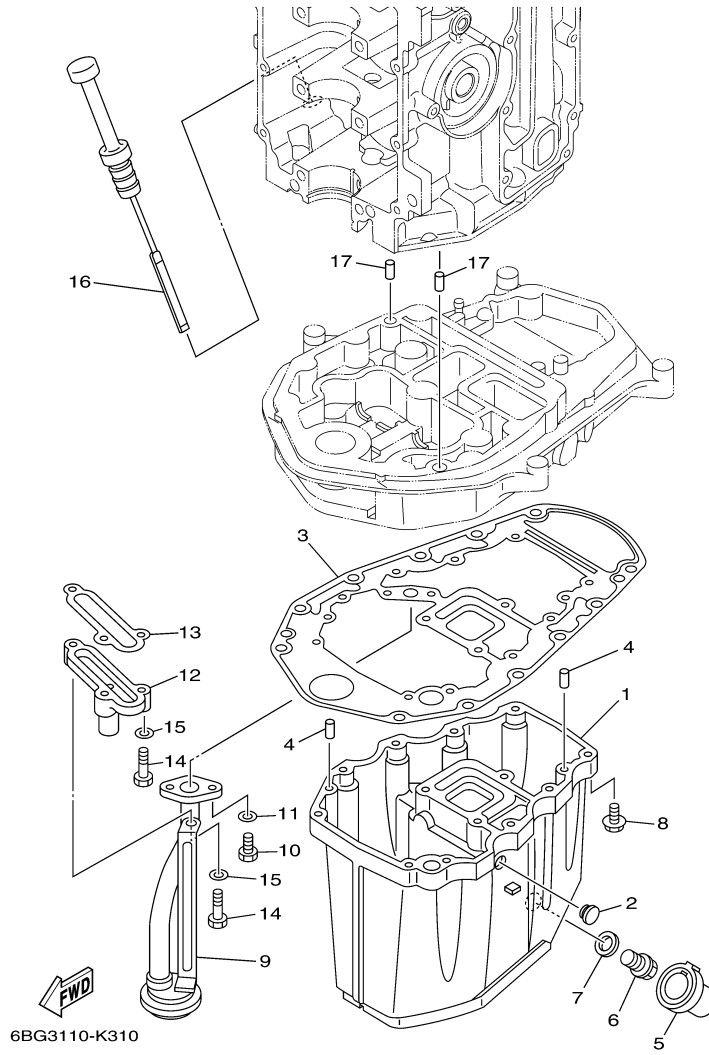
©2014 Yamaha Motor Corporation, U.S.A. All rights reserved.

Part List

F40JEHA 0410 / UPPER CASING

| REF - NO | PART NUMBER | PART NAME | QUANTITY | REMARKS |
|----------------|-----------------|--------------------------------|----------|----------|
| 1 | 6BG-41137-00-CA | GUIDE, EXHAUST | 1 | |
| 2 | 62Y-11325-00-00 | ANODE | 1 | |
| 3 | 66M-11328-00-00 | GROMMET, ANODE | 1 | |
| 4 | 66M-11327-00-94 | COVER, ANODE | 1 | |
| 5 | 66M-12535-00-00 | PLATE | 1 | |
| 6 | 97095-05012-00 | BOLT | 1 | |
| 7 | 92995-05600-00 | WASHER | 1 | |
| 8 | 97013-06020-00 | BOLT | 1 | |
| 9 | 92903-06600-00 | WASHER, PLATE | 1 | |
| 10 | 93110-16004-00 | .OIL SEAL | 1 | |
| 11 | 64J-41133-10-00 | .GASKET, EXHAUST MANIFOLD 1 | 1 | |
| 12 | 6BG-41131-00-CA | MANIFOLD, EXT. 1 | 1 | |
| 13 | 97075-06050-00 | BOLT | 3 | |
| 14 | 92995-06600-00 | WASHER | 3 | |
| 15 | 64J-46132-10-00 | .GASKET 1 | 1 | |
| 16 | 6BG-41134-00-00 | .GASKET, EXHAUST MANIFOLD | 2 | |
| 17 | 6BG-45181-00-CA | PLATE | 1 | |
| 18 | 6BG-14711-00-CA | MUFFLER 1 | 1 | S(16.1") |
| 19 | 97575-06525-00 | BOLT, WITH WASHER | 6 | |
| 20 | 67C-45123-00-00 | .GASKET, MUFFLER | 1 | |
| 21 | 62Y-45127-00-00 | .SEAL | 1 | |
| 22 | 64J-77123-00-00 | GUIDE 1 | 1 | |
| 23 | 6BG-45111-00-8D | CASING, UPPER | 1 | S(16.1") |
| 24 | 90119-08102-00 | BOLT, WITH WASHER | 4 | |
| 25 | 90119-08132-00 | BOLT, WITH WASHER | 8 | |
| 26 | 67C-45151-00-00 | COVER, UPPER CASING | 1 | |
| 27 | 97980-05216-00 | SCREW, WITH WASHER | 2 | |
| 28 | 63D-45155-00-00 | CAP | 1 | S(16.1") |

F40JEHA 0410 / OIL PAN



©2014 Yamaha Motor Corporation, U.S.A. All rights reserved.


Part List

F40JEHA 0410 / OIL PAN

| REF - NO | PART NUMBER | PART NAME | QUANTITY | REMARKS |
|----------------|-----------------|----------------------|----------|----------|
| 1 | 6BG-15311-00-CA | OIL PAN | 1 | |
| 2 | 90480-12M25-00 | GROMMET | 1 | |
| 3 | 69W-15312-00-00 | .GASKET, OIL PAN | 1 | |
| 4 | 93606-12019-00 | .PIN, DOWEL | 4 | |
| 5 | 67C-15316-10-00 | DAMPER 1 | 1 | S(16.1") |
| 6 | 90340-14M06-00 | PLUG, STRAIGHT SCREW | 1 | |
| 7 | 90430-14M09-00 | .GASKET | 1 | |
| 8 | 97575-06525-00 | BOLT, WITH WASHER | 10 | |
| 9 | 62Y-13411-00-00 | STRAINER, OIL | 1 | |
| 10 | 97013-06016-00 | BOLT | 2 | |
| 11 | 92903-06600-00 | WASHER, PLATE | 2 | |
| 12 | 6BG-11576-00-94 | BODY, RELIEF | 1 | |
| 13 | 62Y-13475-00-00 | .GASKET | 1 | |
| 14 | 97013-06025-00 | BOLT | 3 | |
| 15 | 92903-06600-00 | WASHER, PLATE | 3 | |
| 16 | 6BG-15362-00-00 | PLUG, OIL LEVEL | 1 | |
| 17 | 93608-12M05-00 | PIN, DOWEL | 2 | |

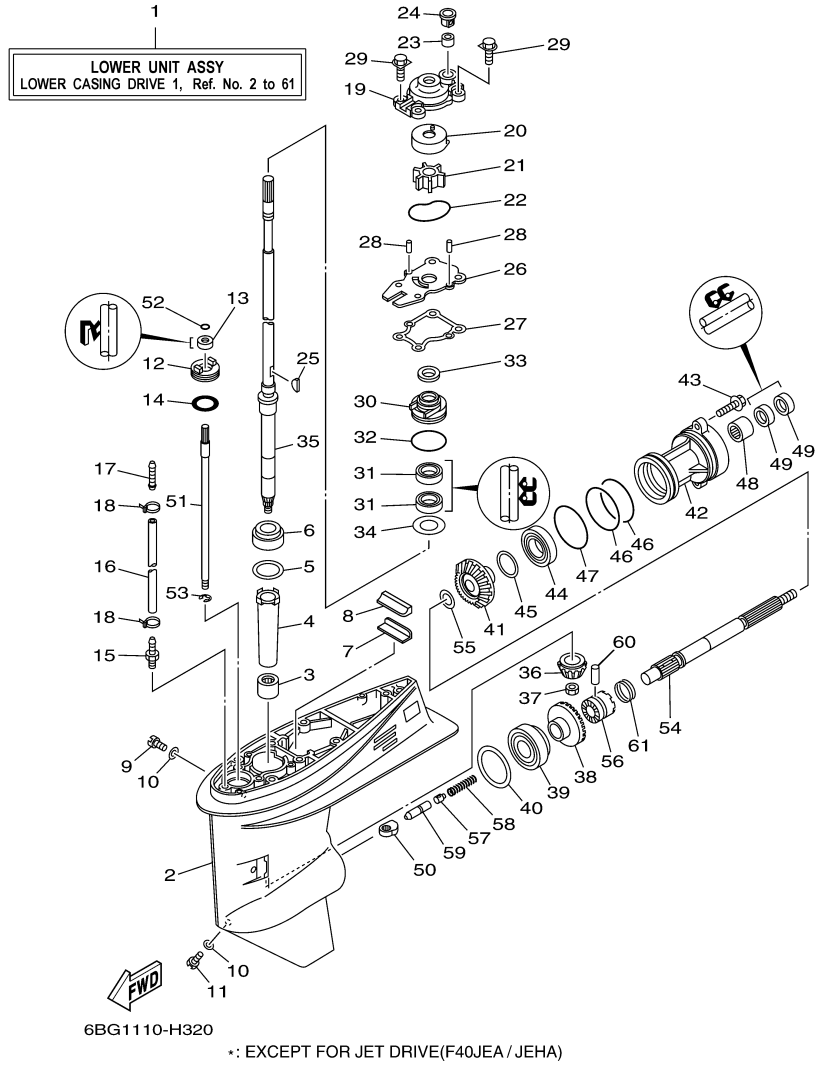
Part Notes

F40JEHA 0410 / OIL PAN

| PART NUMBER | NOTE TEXT |
|---|--|
| 90430-14M09-00  | OEM: This part number is among the Top 100 Most Popular Marine Maintenance Parts as of March 2014. |

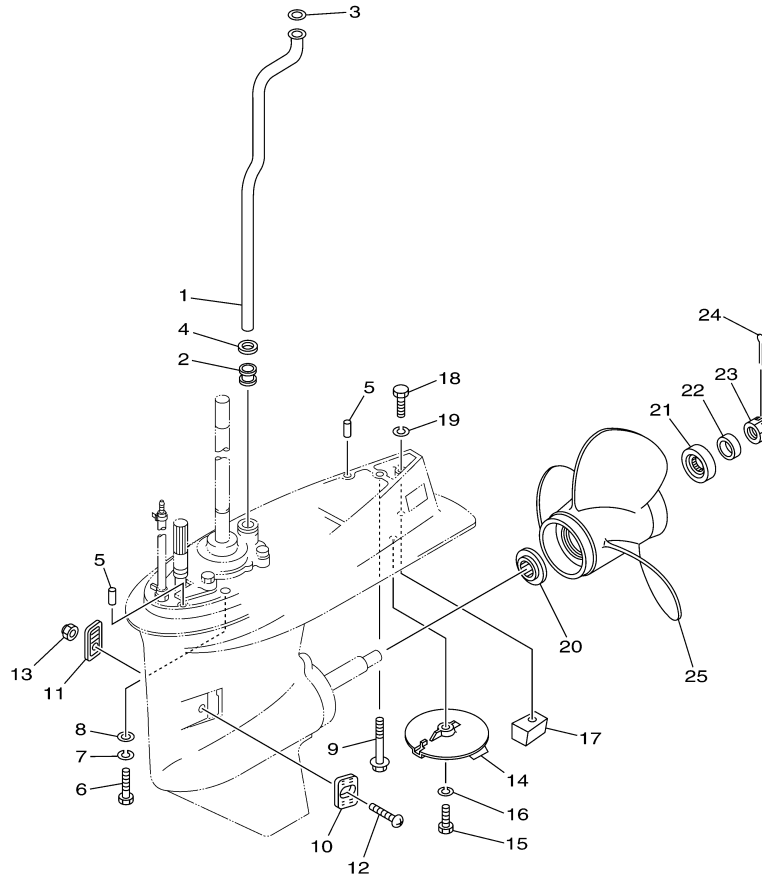
©2014 Yamaha Motor Corporation, U.S.A. All rights reserved.

F40JEHA 0410 / LOWER CASING DRIVE 1



©2014 Yamaha Motor Corporation, U.S.A. All rights reserved.

F40JEHA 0410 / LOWER CASING DRIVE 2



6BG1100-H320

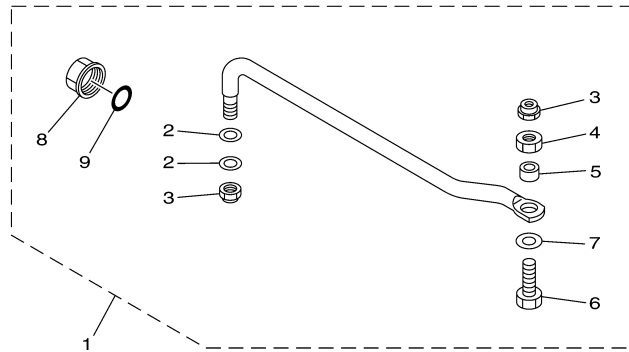
*: FROM REF.NO.5 TO REF.NO.25
EXCEPT FOR JET DRIVE(F40JEA / JEHA)

Part List

F40JEHA 0410 / LOWER CASING DRIVE 2

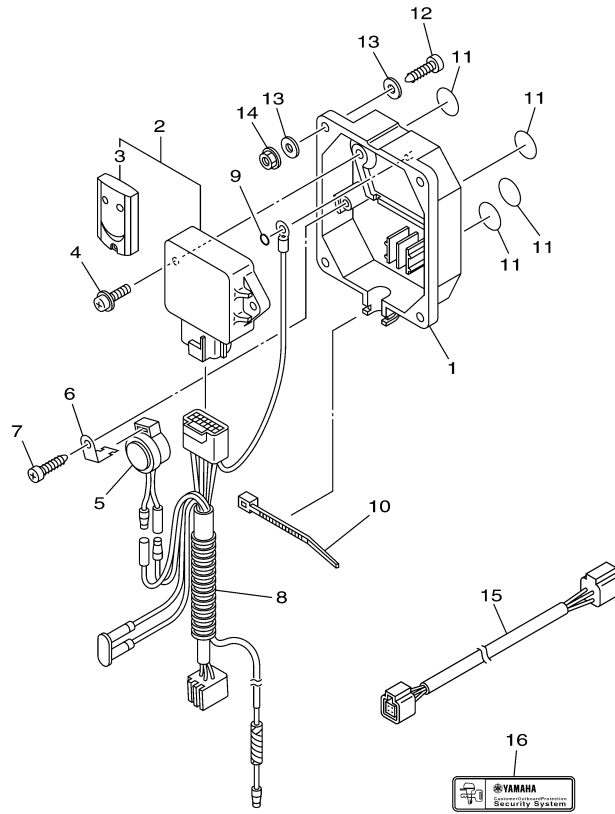
| REF - NO | PART NUMBER | PART NAME | QUANTITY | REMARKS |
|----------------|-----------------|----------------------|----------|----------|
| 1 | 67C-44361-00-00 | TUBE, WATER 1 | 1 | S(16.1") |
| 2 | 663-44367-00-00 | DAMPER, WATER SEAL 3 | 1 | |
| 3 | 90202-12060-00 | WASHER, PLATE | 1 | |
| 4 | 90430-12072-00 | GASKET | 1 | |

F40JEHA 0410 / STEERING GUIDE



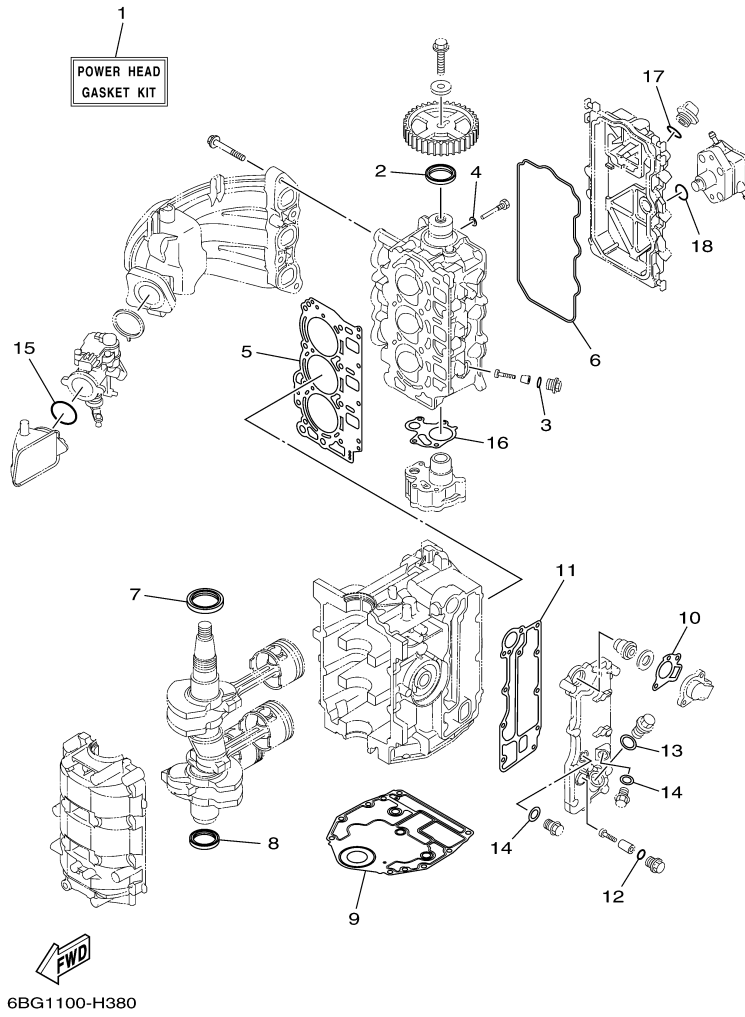
6BG1100-H340

F40JEHA 0410 / OPTIONAL PARTS



6CJ1100-K370

F40JEHA 0410 / REPAIR KIT 1



©2014 Yamaha Motor Corporation, U.S.A. All rights reserved.


Part List

F40JEHA 0410 / REPAIR KIT 1

| REF - NO | PART NUMBER | PART NAME | QUANTITY | REMARKS |
|----------------|-----------------|---------------------------------|----------|---------|
| 1 | 6BG-W0001-00-00 | POWER HEAD GASKET KIT | 1 | |
| 2 | 93102-37M40-00 | .OIL SEAL | 1 | |
| 3 | 93210-13M63-00 | .O-RING | 3 | |
| 4 | 90430-06014-00 | .GASKET | 1 | |
| 5 | 6BG-11181-00-00 | .GASKET, CYLINDER HEAD 1 | 1 | |
| 6 | 6BG-11356-00-00 | .SEAL, CYLINDER 2 | 1 | |
| 7 | 93102-43M42-00 | .OIL SEAL | 1 | |
| 8 | 93101-35002-00 | .OIL SEAL | 1 | |
| 9 | 6BG-11351-00-00 | .GASKET, CYLINDER | 1 | |
| 10 | 62Y-12414-00-00 | .GASKET, COVER | 1 | |
| 11 | 6BG-41114-00-00 | .GASKET, EXHAUST OUTER COVER | 1 | |
| 12 | 93210-13M63-00 | .O-RING | 1 | |
| 13 | 90430-18130-00 | .GASKET | 1 | |
| 14 | 90430-14115-00 | .GASKET | 2 | |
| 15 | 93210-42159-00 | .O-RING | 1 | |
| 16 | 6C5-13329-00-00 | .GASKET, PUMP COVER | 1 | |
| 17 | 93210-24M79-00 | .O-RING | 1 | |
| 18 | 93210-24M79-00 | .O-RING | 1 | |

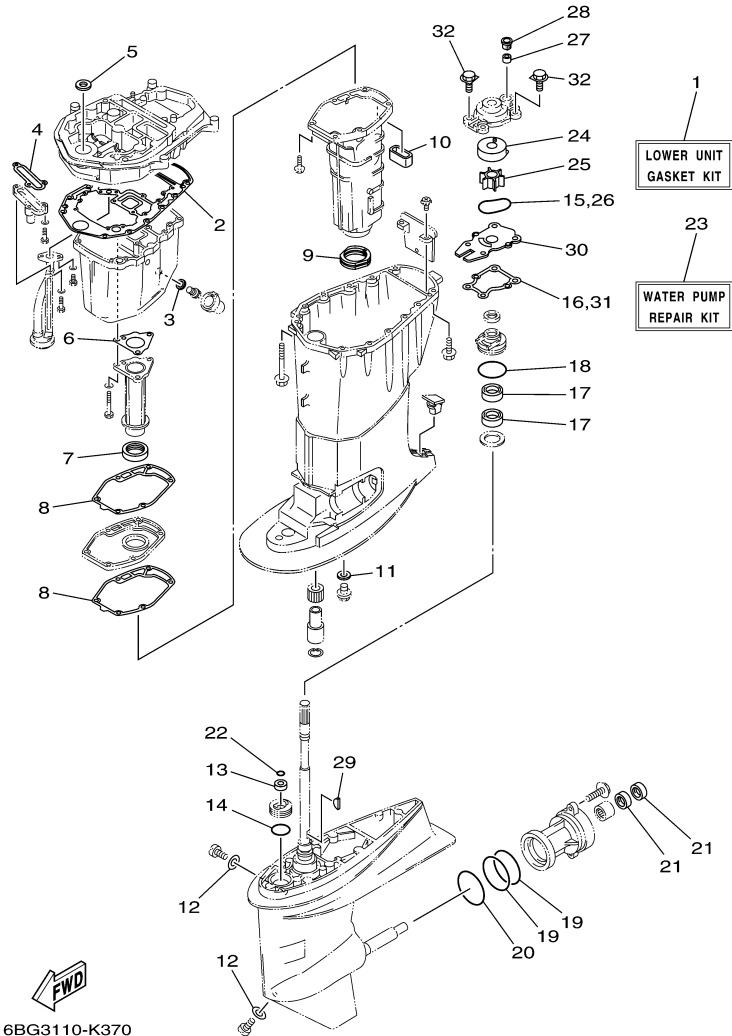
Part Notes

F40JEHA 0410 / REPAIR KIT 1

| PART NUMBER | NOTE TEXT |
|---|--|
| 62Y-12414-00-00  | OEM: This part number is among the Top 100 Most Popular Marine Maintenance Parts as of March 2014. |

©2014 Yamaha Motor Corporation, U.S.A. All rights reserved.

F40JEHA 0410 / REPAIR KIT 2



*: EXCEPT FOR JET DRIVE(F40JEA / JEHA)

©2014 Yamaha Motor Corporation, U.S.A. All rights reserved.