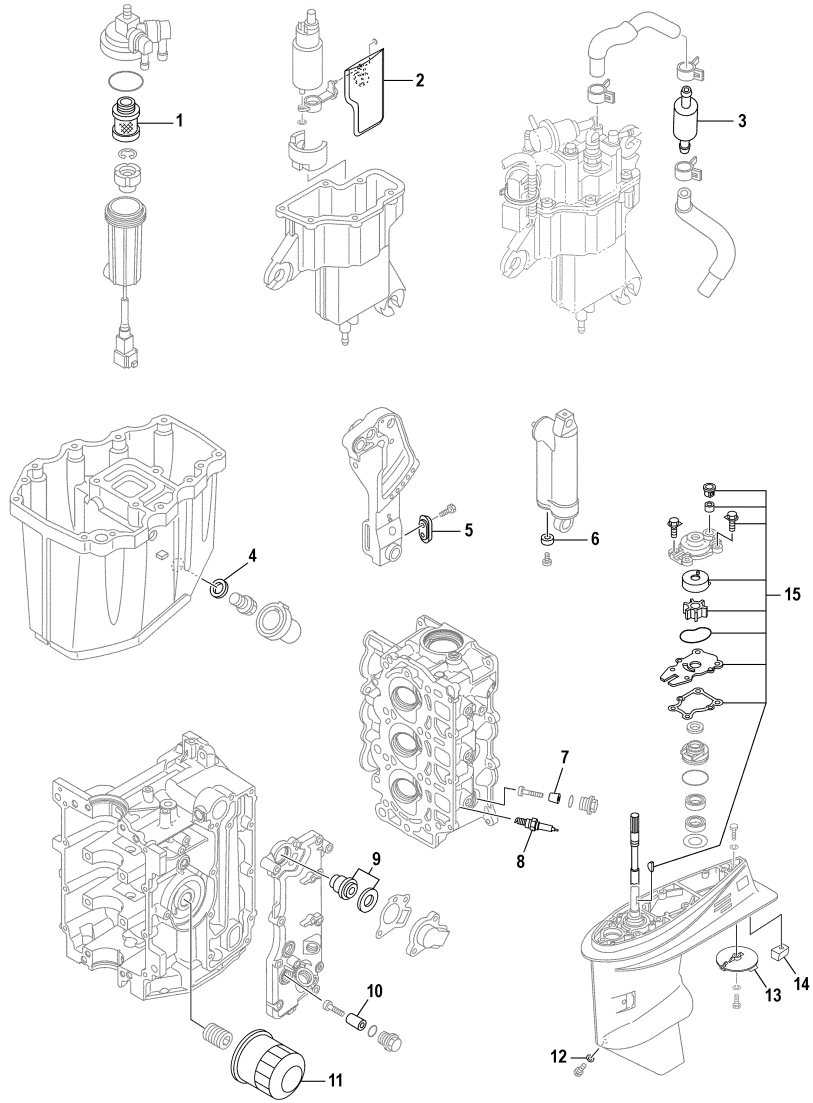


F40JEHA_0112 / SCHEDULED SERVICE PARTS



©2014 Yamaha Motor Corporation, U.S.A. All rights reserved.




Part List

F40JEHA_0112 / SCHEDULED SERVICE PARTS

REF - NO	PART NUMBER	PART NAME	QUANTITY	REMARKS
1	6D8-24563-00-00	.ELEMENT, FILTER	1	FUEL (REF # 11)
2	6BG-13915-00-00	.FILTER	1	FUEL INJECTION PUMP 1 (REF # 19)
3	6C5-24251-00-00	STRAINER 1	1	FUEL INJECTION PUMP 2 (REF # 23)
4	90430-14M09-00	.GASKET	1	OIL PAN (REF # 7)
5	65W-45351-00-00	ANODE	1	BRACKET 2 (REF # 34)
6	663-45251-00-00	ANODE	1	BRACKET 2 (REF # 19)
7	6G8-11325-00-00	ANODE	1	CYLINDER CRANKCASE 2 (REF # 4)
8	DPR-6EB90-00-00	PLUG, SPARK (NGK DPR6EB)	3	CYLINDER CRANKCASE 2 (REF # 27)
9	6G8-12411-03-00	THERMOSTAT	1	CYLINDER CRANKCASE 1 (REF # 12)
10	6G8-11325-00-00	ANODE	1	CYLINDER CRANKCASE 1 (REF # 18)
11	5GH-13440-20-00	ELEMENT ASSY, OIL CLEANER	1	CYLINDER CRANKCASE 1 (REF # 26)
12	90430-08020-00	.GASKET	2	LOWER CASING DRIVE 1 (REF # 10)

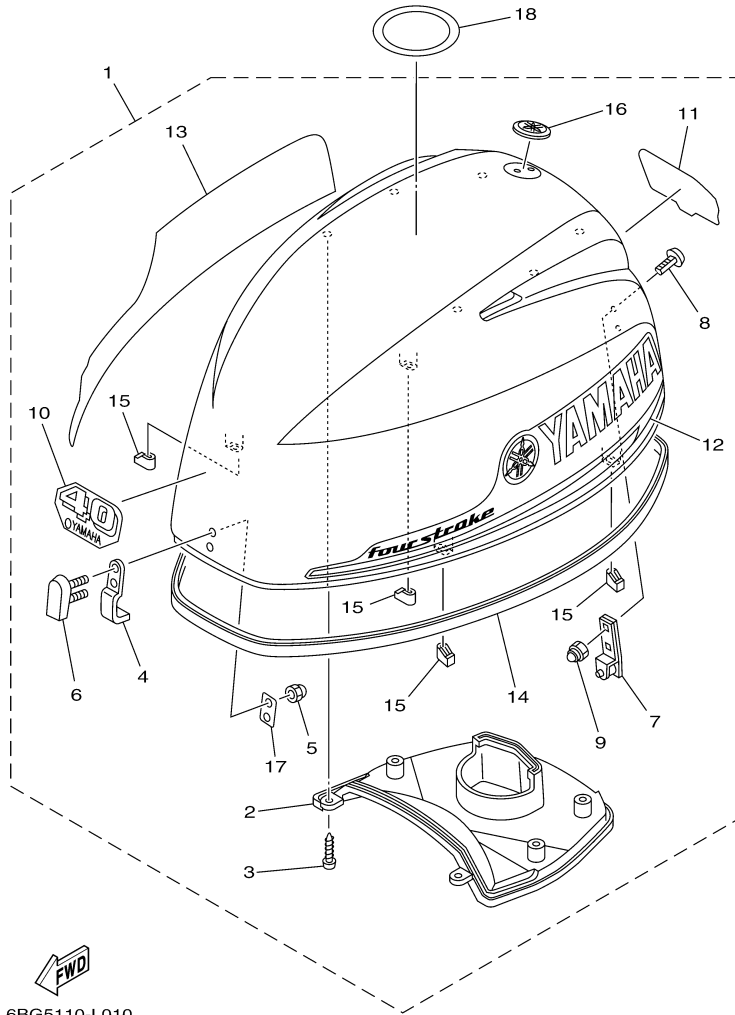
Part Notes

F40JEHA_0112 / SCHEDULED SERVICE PARTS

PART NUMBER		NOTE TEXT
6C5-24251-00-00		OEM: This part number is among the Top 100 Most Popular Marine Maintenance Parts as of March 2014.
90430-14M09-00		OEM: This part number is among the Top 100 Most Popular Marine Maintenance Parts as of March 2014.
90430-08020-00		OEM: This part number is among the Top 100 Most Popular Marine Maintenance Parts as of March 2014.

©2014 Yamaha Motor Corporation, U.S.A. All rights reserved.

F40JEHA_0112 / TOP COWLING



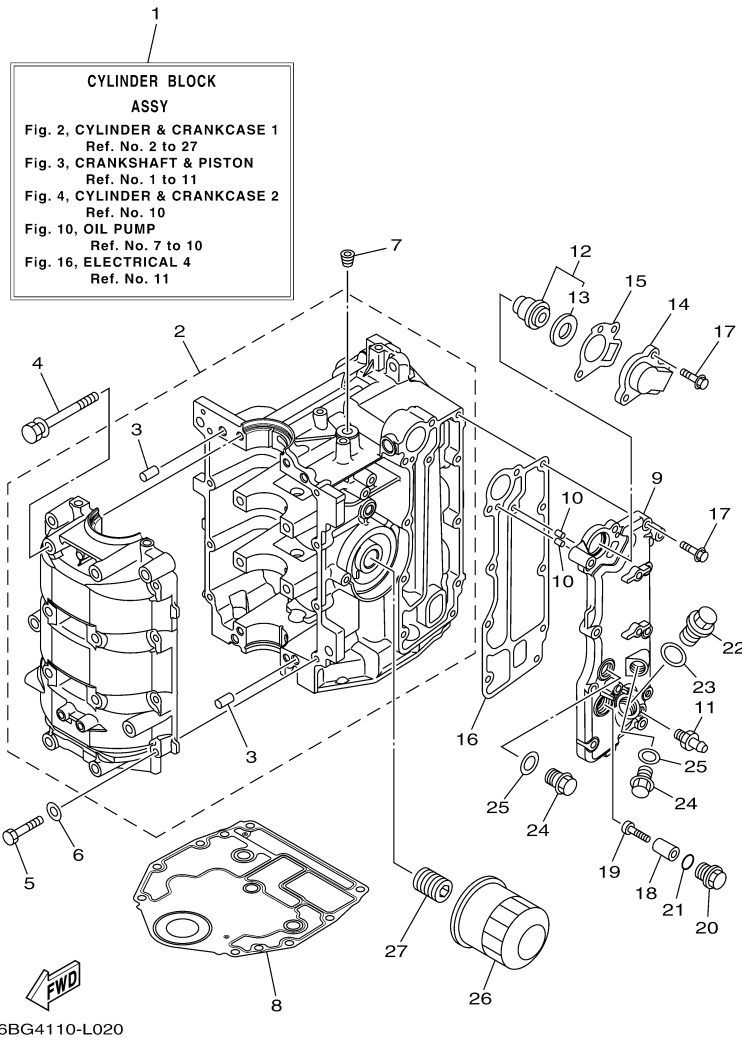
©2014 Yamaha Motor Corporation, U.S.A. All rights reserved.

Part List

F40JEHA_0112 / TOP COWLING

REF - NO	PART NUMBER	PART NAME	QUANTITY	REMARKS
1	6BG-42610-11-00	TOP COWLING ASSY	1	FOR JET-DRIVE
2	6BG-42613-00-00	.MOLDING, AIR DUCT	1	
3	97780-50616-00	.SCREW, TAPPING	6	
4	6BG-42651-00-00	.HOOK	1	
5	95380-05800-00	.NUT	2	
6	6BG-42851-00-00	.COVER, CLAMP	1	
7	6BG-42652-00-00	.HOOK	1	
8	90109-06047-00	.BOLT	2	
9	90185-06M05-00	.NUT, SELF-LOCKING	2	
10	6BG-42677-10-00	.GRAPHIC, FRONT	1	FOR JET-DRIVE
11	6BG-42678-10-00	.GRAPHIC, REAR	1	FOR JET-DRIVE
12	6BG-42675-00-00	.GRAPHIC, SIDE 1	1	
13	6BG-42676-00-00	.GRAPHIC, SIDE 2	1	
14	6BG-42615-00-00	.SEAL	1	
15	6BG-42662-00-00	.DAMPER	4	
16	6AH-42697-10-00	.TUNING FORK MARK	1	
17	6BG-42649-00-00	.HOLDER, CLAMP BAND	1	
18	67F-13434-20-00	LABEL, CAUTION	1	

F40JEHA_0112 / CYLINDER CRANKCASE 1



©2014 Yamaha Motor Corporation, U.S.A. All rights reserved.


Part List

F40JEHA_0112 / CYLINDER CRANKCASE 1

REF - NO	PART NUMBER	PART NAME	QUANTITY	REMARKS
1	6BG-W009B-00-9S	CYLINDER BLOCK ASSY	1	
2	6BG-15100-00-00	CRANKCASE ASSY	1	
3	93606-12019-00	.PIN, DOWEL	4	
4	90119-08154-00	BOLT, WITH WASHER	8	
5	97013-06035-00	BOLT	8	
6	92903-06600-00	WASHER, PLATE	8	
7	90344-51003-00	PLUG, TAPER SCREW	1	
8	6BG-11351-00-00	.GASKET, CYLINDER	1	
9	6BG-41113-00-9S	OUTER COVER, EXHAUST	1	
10	93604-10M03-00	PIN, DOWEL	2	
11	62Y-12481-10-00	PIPE 1	1	
12	6G8-12411-03-00	THERMOSTAT	1	
13	688-12412-00-00	.SEAL, THERMOSTAT	1	
14	6C5-12413-00-9S	COVER, THERMOSTAT	1	
15	62Y-12414-00-00	.GASKET, COVER	1	
16	6BG-41114-00-00	.GASKET, EXHAUST OUTER COVER	1	
17	90119-06MA5-00	BOLT, WITH WASHER	10	
18	6G8-11325-00-00	ANODE	1	
19	97880-05025-00	SCREW, PAN HEAD	1	
20	6G8-11197-01-00	PLUG, BLIND	1	
21	93210-13M63-00	.O-RING	1	
22	90340-18M09-00	PLUG, STRAIGHT SCREW	1	
23	90430-18130-00	.GASKET	1	
24	90340-14M06-00	PLUG, STRAIGHT SCREW	2	
25	90430-14115-00	.GASKET	2	
26	5GH-13440-20-00	ELEMENT ASSY, OIL CLEANER	1	
27	6C5-12858-00-00	BOLT, UNION	1	

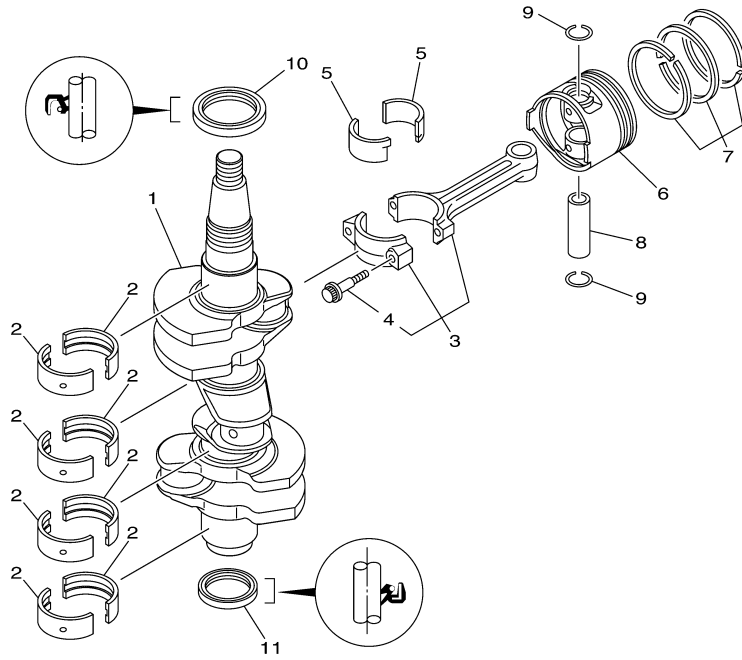
Part Notes

F40JEHA_0112 / CYLINDER CRANKCASE 1

PART NUMBER	NOTE TEXT
62Y-12414-00-00 	OEM: This part number is among the Top 100 Most Popular Marine Maintenance Parts as of March 2014.

©2014 Yamaha Motor Corporation, U.S.A. All rights reserved.

F40JEHA_0112 / CRANKSHAFT PISTON



6BG1100-H030

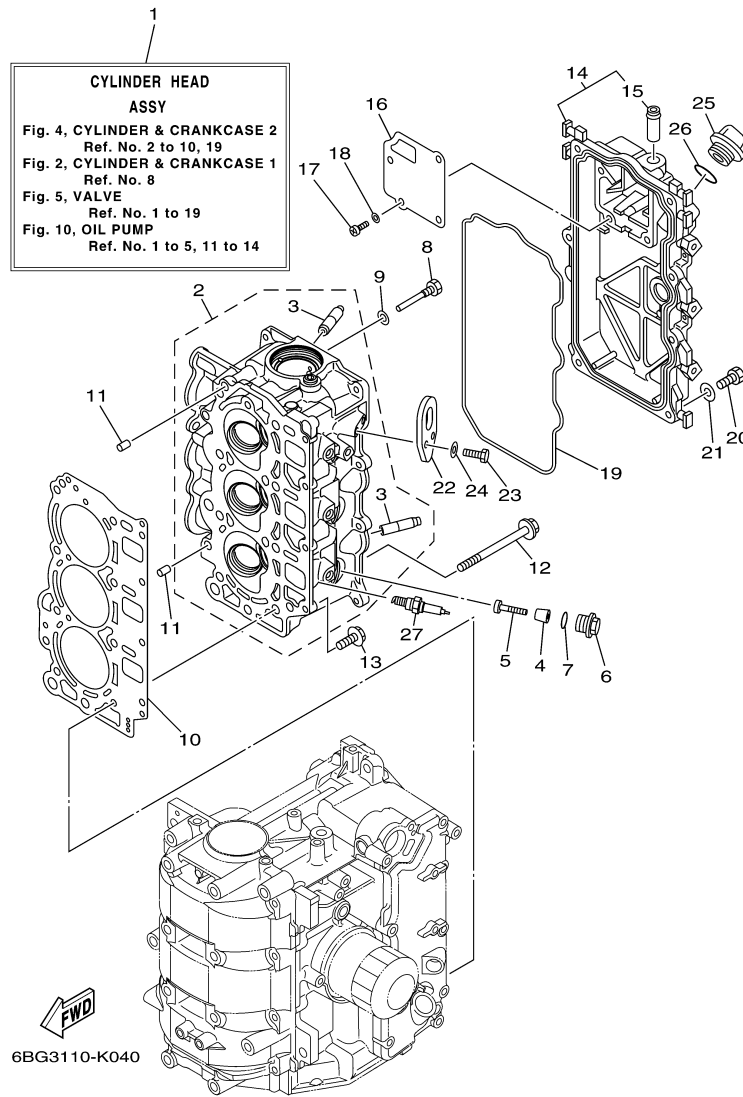
©2014 Yamaha Motor Corporation, U.S.A. All rights reserved.

Part List

F40JEHA_0112 / CRANKSHAFT PISTON

REF - NO	PART NUMBER	PART NAME	QUANTITY	REMARKS
1	6BG-11411-00-00	CRANKSHAFT	1	
2	6BG-11416-00-00	PLANE BEARING, CRANKSHAFT 1	8	UR YELLOW
2	6BG-11416-30-00	PLANE BEARING, CRANKSHAFT 1	8	UR GREEN
2	6BG-11416-20-00	PLANE BEARING, CRANKSHAFT 1	8	UR PINK
2	6BG-11416-10-00	PLANE BEARING, CRANKSHAFT 1	8	UR RED
3	6C5-11650-00-00	CONNECTING ROD ASSY	3	
4	6C5-11654-00-00	.BOLT, CONNECTING ROD	2	
5	6CJ-11656-20-00	PLANE BEARING, CONNECTING ROD	6	UR PINK
5	6CJ-11656-00-00	PLANE BEARING, CONNECTING ROD	6	UR YELLOW
5	6CJ-11656-10-00	PLANE BEARING, CONNECTING ROD	6	UR RED
5	6CJ-11656-30-00	PLANE BEARING, CONNECTING ROD	6	UR GREEN
6	69W-11631-01-97	PISTON (STD)	3	
6	69W-11636-01-00	PISTON (0.50MM O/S)	3	AP
6	69W-11635-01-00	PISTON (0.25MM O/S)	3	AP
7	67C-11603-00-00	PISTON RING SET (STD)	3	
7	67C-11604-00-00	PISTON RING SET (0.25MM O/S)	3	AP
7	67C-11605-00-00	PISTON RING SET (0.50MM O/S)	3	AP
8	62Y-11633-00-00	PIN, PISTON	3	
9	93450-17129-00	CIRCLIP	6	
10	93102-43M42-00	.OIL SEAL	1	
11	93101-35002-00	.OIL SEAL	1	

F40JEHA_0112 / CYLINDER CRANKCASE 2



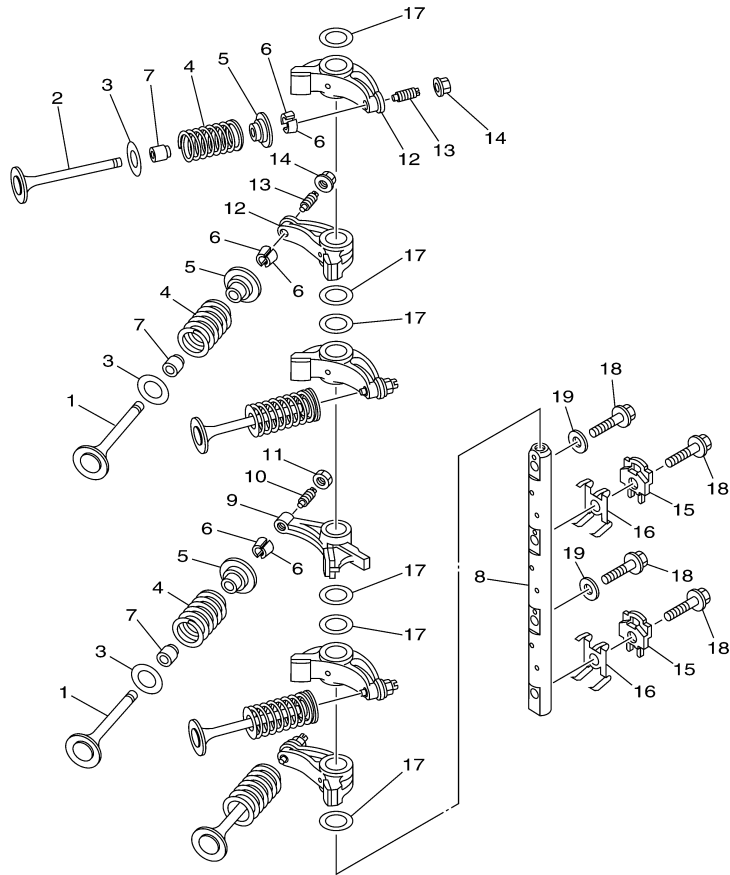
©2014 Yamaha Motor Corporation, U.S.A. All rights reserved.

Part List

F40JEHA_0112 / CYLINDER CRANKCASE 2

REF - NO	PART NUMBER	PART NAME	QUANTITY	REMARKS
1	6BG-W009A-00-9S	CYLINDER HEAD COMPLETE	1	
2	6BG-11111-00-9S	HEAD, CYLINDER 1	1	
3	62Y-11133-30-00	.GUIDE, VALVE 1	6	
4	6G8-11325-00-00	ANODE	3	
5	97880-05025-00	SCREW, PAN HEAD	3	
6	6G8-11197-01-00	PLUG, BLIND	3	
7	93210-13M63-00	.O-RING	3	
8	90109-06M65-00	BOLT	1	
9	90430-06014-00	.GASKET	1	
10	6BG-11181-00-00	.GASKET, CYLINDER HEAD 1	1	
11	99530-08012-00	PIN, DOWEL	2	
12	90105-09005-00	BOLT, FLANGE	8	
13	90119-06MA3-00	BOLT, WITH WASHER	4	
14	6BG-11191-00-9S	COVER, CYLINDER HEAD 1	1	
15	62Y-14485-00-00	.PIPE, JOINT	1	
16	6BG-11168-00-00	COVER, BREATHER	1	
17	98507-04010-00	SCREW, PAN HEAD	4	
18	92907-04600-00	WASHER	4	
19	6BG-11356-00-00	.SEAL, CYLINDER 2	1	
20	97095-06020-00	BOLT	7	
21	92995-06600-00	WASHER	7	
22	6BG-11119-00-00	HANGER, ENGINE	1	
23	97095-06020-00	BOLT	2	
24	92995-06600-00	WASHER	2	
25	6G8-15363-00-00	PLUG, OIL	1	
26	93210-24M79-00	.O-RING	1	
27	DPR-6EB90-00-00	PLUG, SPARK (NGK DPR6EB)	3	

F40JEHA_0112 / VALVE



6BG1100-H050

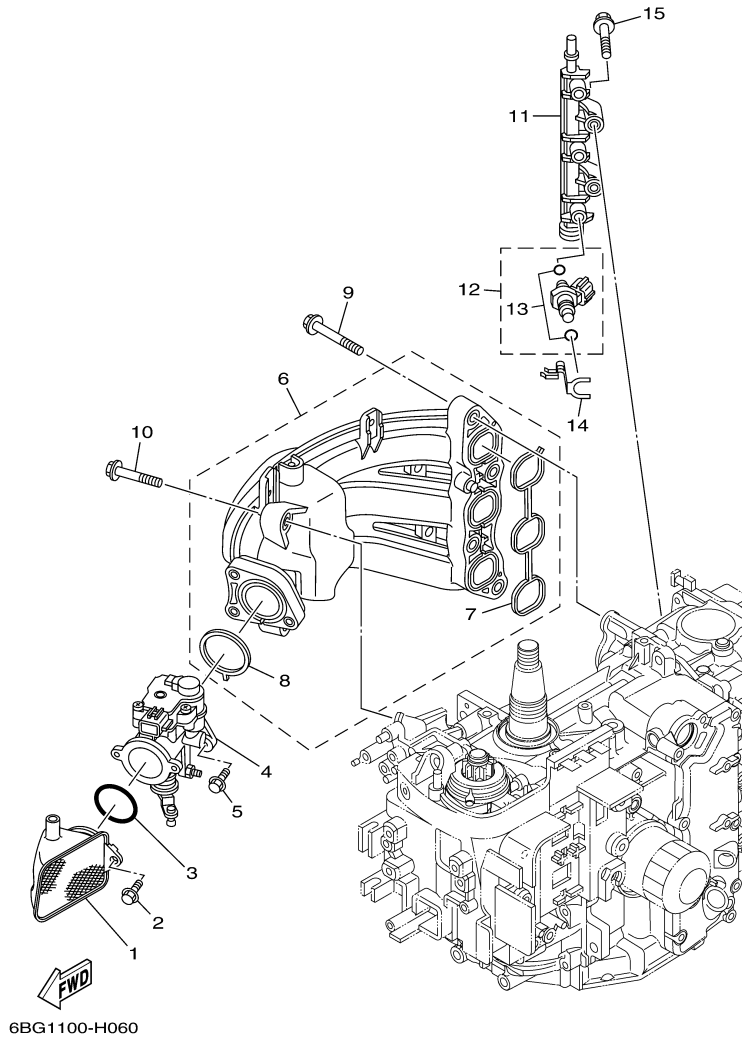
©2014 Yamaha Motor Corporation, U.S.A. All rights reserved.

Part List

F40JEHA_0112 / VALVE

REF - NO	PART NUMBER	PART NAME	QUANTITY	REMARKS
1	69W-12111-00-00	VALVE, INTAKE	3	
2	69W-12121-00-00	VALVE, EXHAUST	3	
3	62Y-12116-00-00	SEAT, VALVE SPRING	6	
4	51Y-12114-00-00	SPRING, VALVE OUTER	6	
5	30X-12117-00-00	RETAINER, VALVE SPRING	6	
6	30X-12118-00-00	LOCK, VALVE SPRING RETAINER	12	
7	51Y-12119-00-00	SEAL, VALVE STEM	6	
8	6BG-12146-00-00	SHAFT, ROCKER	1	
9	62Y-12151-00-00	ARM, VALVE ROCKER	1	
10	64J-12159-00-00	SCREW, VALVE ADJUSTING	1	
11	62Y-12158-00-00	NUT, LOCK	1	
12	6C5-12151-00-00	ARM, VALVE ROCKER	5	
13	6C5-12159-00-00	SCREW, VALVE ADJUSTING	5	
14	6C5-12158-00-00	NUT, LOCK	5	
15	6C5-12231-00-00	GUIDE, STOPPER 1	2	
16	6C5-12233-00-00	PLATE, GUIDE STOPPER 1	2	
17	90201-16014-00	WASHER, PLATE	6	
18	90105-08060-00	BOLT, FLANGE	4	
19	92990-08200-00	WASHER, PLAIN	2	

F40JEHA_0112 / INTAKE 1



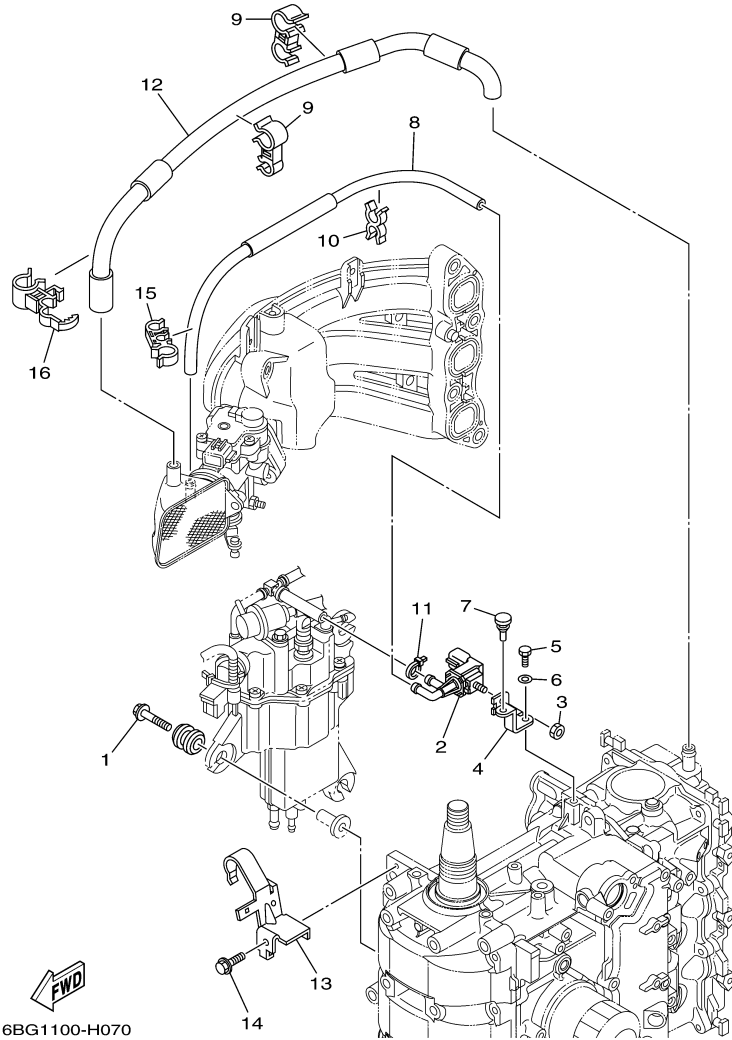
©2014 Yamaha Motor Corporation, U.S.A. All rights reserved.

Part List

F40JEHA_0112 / INTAKE 1

REF - NO	PART NUMBER	PART NAME	QUANTITY	REMARKS
1	6BG-14440-00-00	SILENCER ASSY, INTAKE	1	
2	95895-06016-00	BOLT, FLANGE	2	
3	93210-42159-00	.O-RING	1	
4	6BG-13750-00-00	THROTTLE BODY ASSY	1	
5	95895-06016-00	BOLT, FLANGE	3	
6	6BG-13641-00-00	MANIFOLD, INTAKE 1	1	
7	6BG-13645-00-00	.GASKET, MANIFOLD 1	1	
8	6BG-13557-00-00	.GASKET	1	
9	90119-08069-00	BOLT, WITH WASHER	4	
10	90119-06126-00	BOLT, WITH WASHER	2	
11	6BG-13161-00-00	PIPE, DELIVERY 1	1	
12	6BG-13761-00-00	INJECTOR	3	
13	6C5-1410B-00-00	.PACKING KIT	1	
14	6BG-13577-00-00	CLIP	3	
15	95895-06040-00	BOLT, FLANGE	2	

F40JEHA_0112 / INTAKE 2



©2014 Yamaha Motor Corporation, U.S.A. All rights reserved.

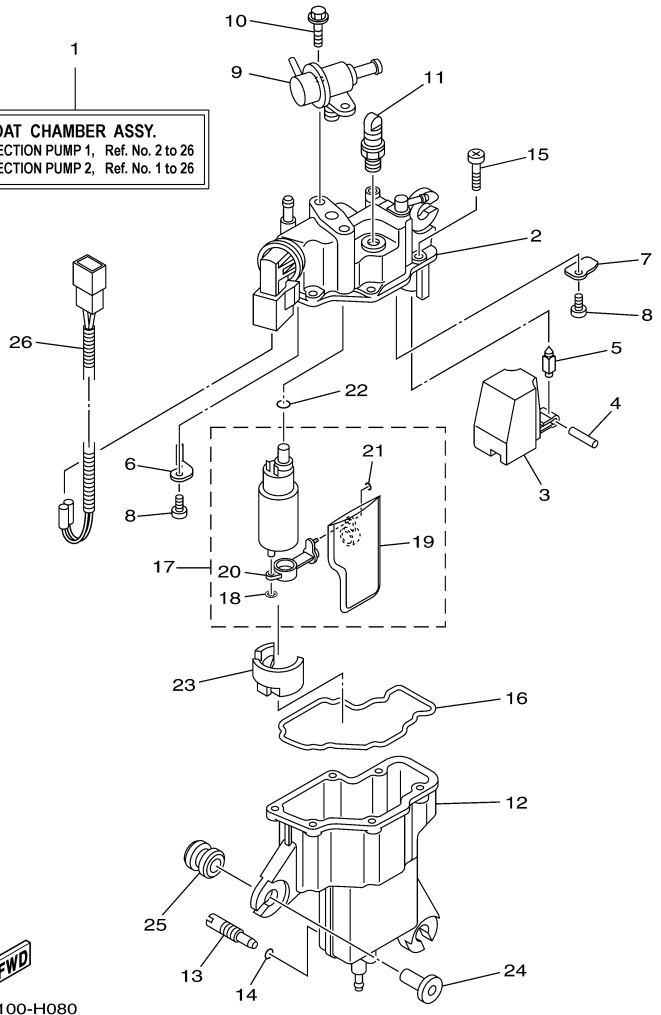
Part List

F40JEHA_0112 / INTAKE 2

REF - NO	PART NUMBER	PART NAME	QUANTITY	REMARKS
1	90119-06M61-00	BOLT, WITH WASHER	3	
2	6C5-86120-00-00	SOLENOID VALVE ASSY	1	
3	95380-06600-00	NUT, HEXAGON	1	
4	6BG-86112-00-00	STAY, SOLENOID	1	
5	97095-06016-00	BOLT	1	
6	92995-06600-00	WASHER	1	
7	90480-06M19-00	GROMMET	1	
8	6BG-12576-00-00	HOSE 1	1	
9	90464-15007-00	CLAMP	2	
10	90464-11M24-00	CLAMP	1	
11	90465-11M10-00	CLAMP	1	
12	6BG-1531A-00-00	HOSE, BREATHER 1	1	
13	6BG-15378-00-00	HOLDER	1	
14	90119-06037-00	BOLT, WITH WASHER	1	
15	90464-15008-00	CLAMP	1	
16	90464-15011-00	CLAMP	1	

F40JEHA_0112 / FUEL INJECTION PUMP 1

FLOAT CHAMBER ASSY.
FUEL INJECTION PUMP 1, Ref. No. 2 to 26
FUEL INJECTION PUMP 2, Ref. No. 1 to 26



6BG1100-H080

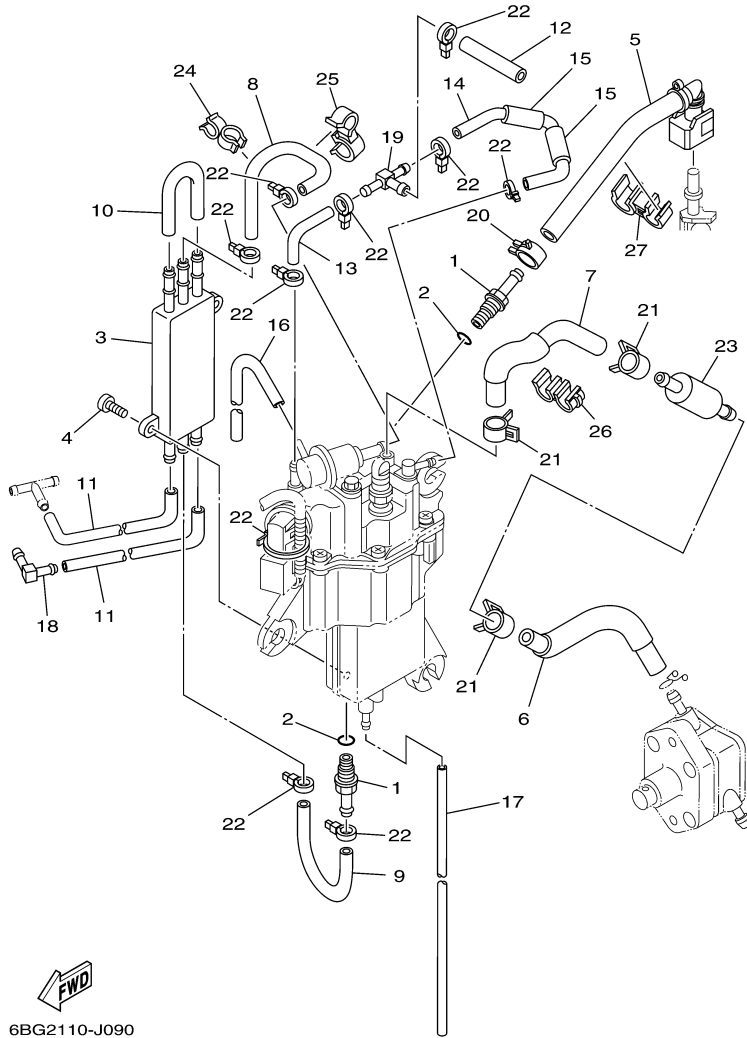
©2014 Yamaha Motor Corporation, U.S.A. All rights reserved.

Part List

F40JEHA_0112 / FUEL INJECTION PUMP 1

REF - NO	PART NUMBER	PART NAME	QUANTITY	REMARKS
1	6BG-14180-20-00	FLOAT CHAMBER ASSY	1	
2	6BG-14182-10-00	COVER, FLOAT CHAMBER	1	
3	6BG-14985-00-00	FLOAT	1	
4	6C5-14386-00-00	PIN, FLOAT	1	
5	6C5-14546-10-00	VALVE, NEEDLE	1	
6	6BG-2441R-10-00	PLATE, BAFFLE 1	1	
7	6BG-2441T-10-00	PLATE, BAFFLE 2	1	
8	6C5-24453-00-00	SCREW	2	
9	6C5-13906-01-00	REGULATOR, PRESSURE	1	
10	6C5-24592-00-00	BOLT	2	
11	6C5-14225-00-00	CAP	1	
12	6BG-14960-10-00	BODY ASSY	1	
13	6C5-14191-00-00	PLUG, DRAIN	1	
14	6C5-14397-00-00	O-RING	1	
15	6C5-14567-00-00	SCREW	6	
16	6BG-14984-00-00	GASKET, FLOAT CHAMBER	1	
17	6BG-13910-01-00	FUEL PUMP ASSY	1	
18	6C5-14127-10-00	.CLIP	1	
19	6BG-13915-00-00	.FILTER	1	
20	6BG-13938-00-00	.PIPE	1	
21	6BG-14137-00-00	.CLIP	1	
22	6BG-14561-00-00	O-RING	1	
23	6BG-13593-00-00	DAMPER	1	
24	90387-06M69-00	COLLAR	3	
25	90480-09M12-00	GROMMET	3	
26	6BG-82553-00-00	EXTENSION, WIRE LEAD	1	

F40JEHA_0112 / FUEL INJECTION PUMP 2



6BG2110-J090

©2014 Yamaha Motor Corporation, U.S.A. All rights reserved.


Part List

F40JEHA_0112 / FUEL INJECTION PUMP 2

REF - NO	PART NUMBER	PART NAME	QUANTITY	REMARKS
1	6C5-14251-00-00	NIPPLE	2	
2	6C5-13739-00-00	O-RING	2	
3	6C5-21841-00-00	COOLER	1	
4	6C5-24444-00-00	SCREW	2	
5	6BG-13974-00-00	PIPE, FUEL 4	1	
6	6BG-2451B-20-00	HOSE, FUEL INLET	1	
7	6BG-14148-20-00	PIPE	1	
8	6BG-24321-20-00	PIPE 10	1	
9	6BG-24322-20-00	PIPE 11	1	
10	6BG-24323-00-00	PIPE 12	1	
11	6BG-24324-00-00	PIPE 13	2	
12	6C5-13547-00-00	HOSE 3	1	
13	6BG-13545-00-00	HOSE 1	1	
14	6BG-13546-00-00	HOSE 2	1	
15	6BG-13548-00-00	HOSE, AIR 4	2	
16	6BG-13542-00-00	HOSE, VACUUM SENSING 1	1	
17	6BG-14149-00-00	PIPE	1	
18	6C5-1410F-00-00	CONNECTOR	1	
19	6C5-24379-00-00	PIPE, JOINT 4	1	
20	6C5-13577-00-00	CLIP	1	
21	6BG-24387-00-00	CLIP	3	
22	90465-11M10-00	CLAMP	10	
23	6C5-24251-00-00	STRAINER 1	1	
24	90464-12006-00	CLAMP	1	
25	90464-12010-00	CLAMP	1	
26	90464-12224-00	CLAMP	1	
27	90464-15007-00	CLAMP	1	

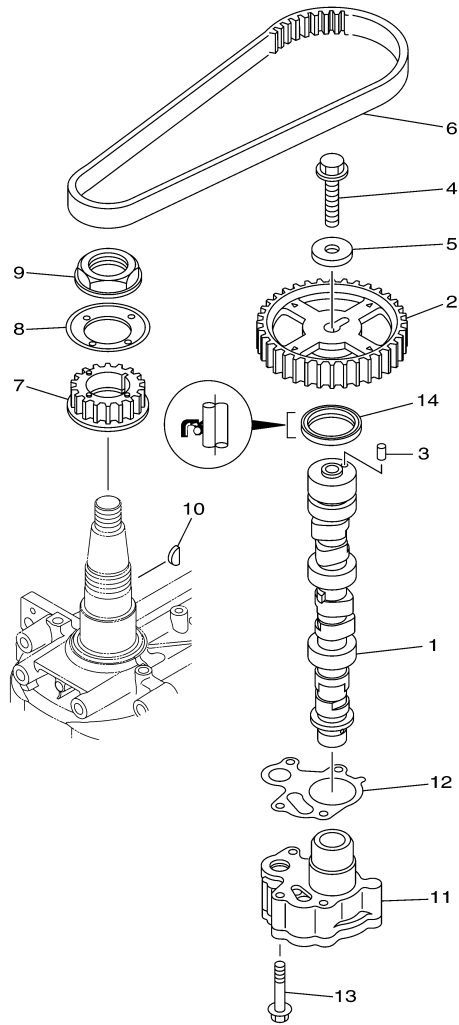
Part Notes

F40JEHA_0112 / FUEL INJECTION PUMP 2

PART NUMBER	NOTE TEXT
6C5-24251-00-00 	OEM: This part number is among the Top 100 Most Popular Marine Maintenance Parts as of March 2014.

©2014 Yamaha Motor Corporation, U.S.A. All rights reserved.

F40JEHA_0112 / OIL PUMP



6BG3110-K100

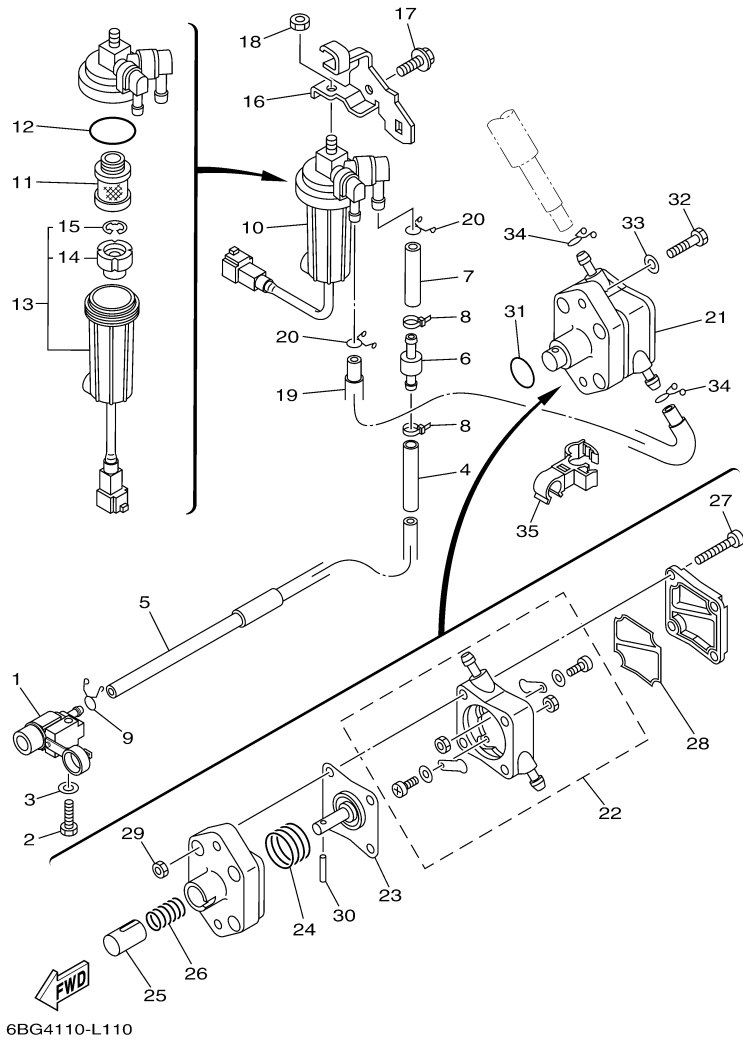
©2014 Yamaha Motor Corporation, U.S.A. All rights reserved.

Part List

F40JEHA_0112 / OIL PUMP

REF - NO	PART NUMBER	PART NAME	QUANTITY	REMARKS
1	6BG-12171-00-00	CAMSHAFT 1	1	
2	6C5-11537-00-00	GEAR, DRIVEN	1	
3	93605-17002-00	PIN, DOWEL	1	
4	95817-10035-00	BOLT, FLANGE	1	
5	90201-10144-00	WASHER, PLATE	1	
6	6C5-46241-00-00	BELT	1	
7	6C5-11536-00-00	GEAR, DRIVE	1	
8	62Y-11557-00-00	WASHER 1	1	
9	90179-35001-00	NUT	1	
10	90280-03M01-00	.KEY, WOODRUFF	1	
11	6BG-13300-01-00	OIL PUMP ASSY	1	
12	6C5-13329-00-00	.GASKET, PUMP COVER	1	
13	90119-06025-00	BOLT, WITH WASHER	4	
14	93102-37M40-00	.OIL SEAL	1	

F40JEHA_0112 / FUEL



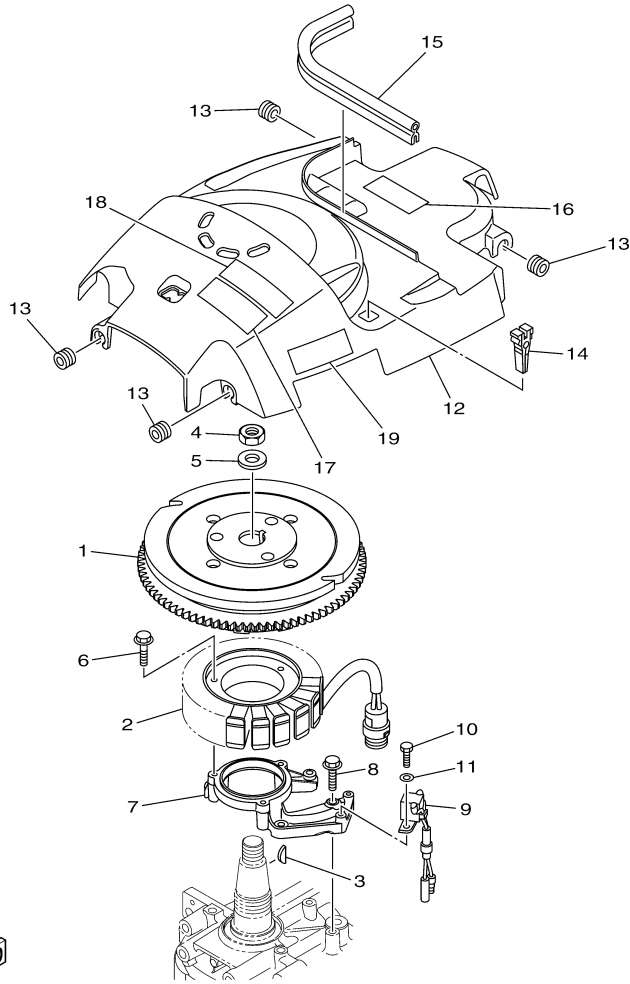
©2014 Yamaha Motor Corporation, U.S.A. All rights reserved.

Part List

F40JEHA_0112 / FUEL

REF - NO	PART NUMBER	PART NAME	QUANTITY	REMARKS
1	6YL-24304-00-00	FUEL PIPE JOINT COMP. 1	1	
2	97095-06025-00	BOLT	1	
3	92995-06600-00	WASHER	1	
4	90445-14020-00	HOSE (L65)	1	
5	6BG-24313-10-00	PIPE 3	1	
6	67F-24377-00-00	PIPE, JOINT 2	1	
7	90445-13020-00	HOSE (L40)	1	
8	90465-11M10-00	CLAMP	2	
9	90467-09M17-00	CLIP	1	
10	6D8-24560-00-00	FILTER ASSY	1	
11	6D8-24563-00-00	.ELEMENT, FILTER	1	
12	6D8-24564-00-00	.GASKET	1	
13	6D8-24562-00-00	.CUP, FILTER	1	
14	6D8-24469-00-00	..FLOAT, WATER LEVEL	1	
15	6D8-24519-00-00	..CLIP	1	
16	6BG-24566-00-00	BRACKET, FILTER	1	
17	95895-08016-00	BOLT, FLANGE	1	
18	95380-08600-00	NUT	1	
19	6BG-24311-10-00	PIPE, FUEL 1	1	
20	90467-11M08-00	CLIP	2	
21	6C5-24410-00-00	FUEL PUMP ASSY	1	
22	6C5-24415-00-00	.BODY 4	1	
23	62Y-24411-02-00	.DIAPHRAGM	1	
24	62Y-24423-00-00	.SPRING, DIAPHRAGM	1	
25	62Y-13131-00-00	.PLUNGER	1	
26	62Y-24454-00-00	.SPRING	1	
27	62Y-24444-01-00	.SCREW	4	
28	6C5-24471-00-00	.DIAPHRAGM	1	
29	95380-05600-00	.NUT	4	
30	62Y-24374-01-00	.PIN	1	
31	93210-24M79-00	.O-RING	1	
32	97095-06030-00	BOLT	2	
33	92995-06600-00	WASHER	2	
34	90467-10M04-00	CLIP	2	
35	90464-12012-00	CLAMP	1	

F40JEHA_0112 / GENERATOR



6BG5110-L120

©2014 Yamaha Motor Corporation, U.S.A. All rights reserved.


Part List

F40JEHA_0112 / GENERATOR

REF - NO	PART NUMBER	PART NAME	QUANTITY	REMARKS
1	6BG-81450-00-00	ROTOR ASSY	1	
2	6BG-81410-00-00	STATOR ASSY	1	
3	6H4-11545-00-00	KEY, WOODRUFF	1	
4	90170-20137-00	NUT	1	
5	90201-21M18-00	WASHER, PLATE	1	
6	95023-06030-00	BOLT	3	
7	6BG-85561-00-94	BASE, MAGNETO	1	
8	95023-06030-00	BOLT	4	
9	6AH-85580-00-00	COIL, PULSER	1	
10	97095-05016-00	.BOLT	2	
11	92995-05600-00	WASHER	2	
12	6BG-81337-00-00	COVER, FLYWHEEL	1	
13	90480-12314-00	GROMMET	4	
14	67F-2812A-00-00	.PULLER, FUSE	1	
15	6BG-42617-00-00	DAMPER, FORM	1	
16	6BG-13437-40-00	MARK, CAUTION	1	
17	6AH-81995-40-00	LABEL, WARNING	1	
18	6AH-81994-40-00	LABEL, SAFETY	1	
19	6BG-81919-00-00	GRAPHIC, REGULATOR	1	

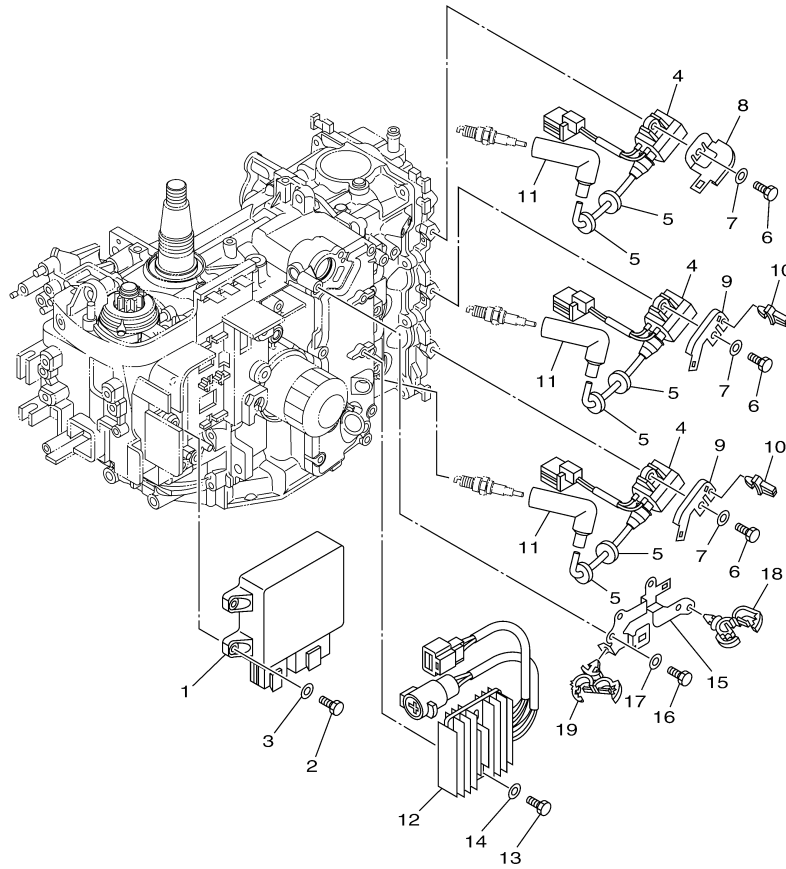
Part Notes

F40JEHA_0112 / GENERATOR

PART NUMBER	NOTE TEXT
90480-12314-00 	OEM: GROMMET used on F115TLR and F/LF115TXR 0510 Production and Later

©2014 Yamaha Motor Corporation, U.S.A. All rights reserved.

F40JEHA_0112 / ELECTRICAL 1



6BG1100-H130

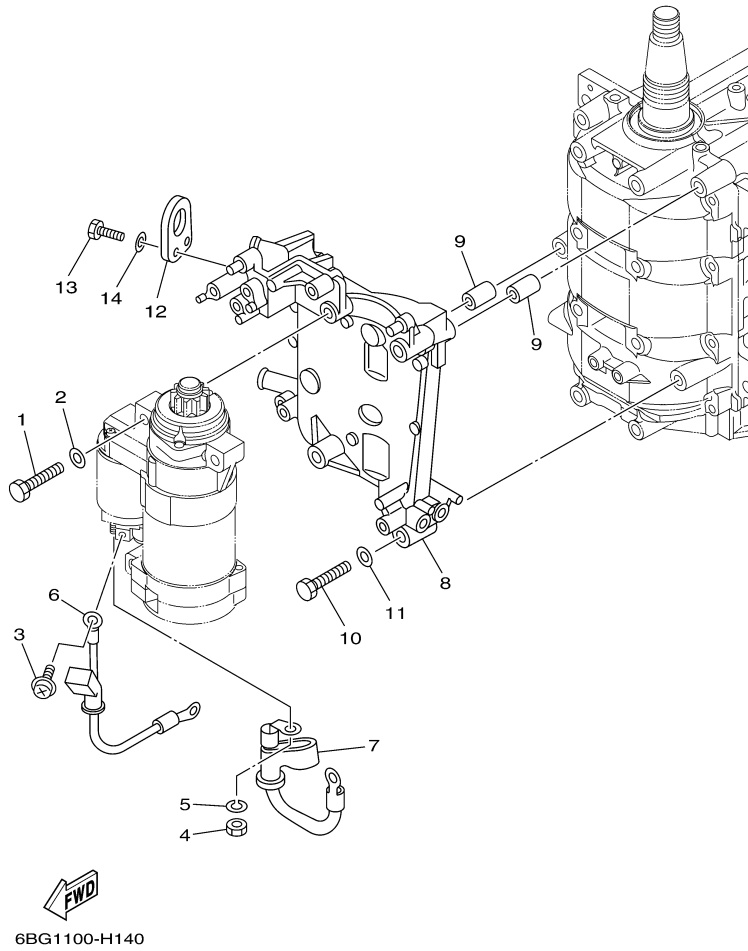
©2014 Yamaha Motor Corporation, U.S.A. All rights reserved.

Part List

F40JEHA_0112 / ELECTRICAL 1

REF - NO	PART NUMBER	PART NAME	QUANTITY	REMARKS
1	6BG-8591A-02-00	ENGINE CONTROL UNIT ASSY	1	
2	97095-06025-00	BOLT	4	
3	92995-06600-00	WASHER	4	
4	6BG-85570-00-00	IGNITION COIL ASSY	3	
5	90480-25003-00	GROMMET	6	
6	97095-06025-00	BOLT	3	
7	92995-06600-00	WASHER	3	
8	6BG-82398-00-00	PLATE 3	1	
9	6BG-82389-00-00	PLATE 2	2	
10	90464-06001-00	CLAMP	2	
11	6AH-82370-00-00	PLUG CAP ASSY	3	
12	6BG-81960-00-00	RECTIFIER & REGULATOR ASSY	1	
13	97095-06025-00	BOLT	2	
14	92995-06600-00	WASHER	2	
15	6BG-81528-00-00	CLAMP 1	1	
16	97095-06016-00	BOLT	2	
17	92995-06600-00	WASHER	2	
18	90464-13249-00	CLAMP	3	
19	90464-18246-00	CLAMP	1	

F40JEHA_0112 / ELECTRICAL 2



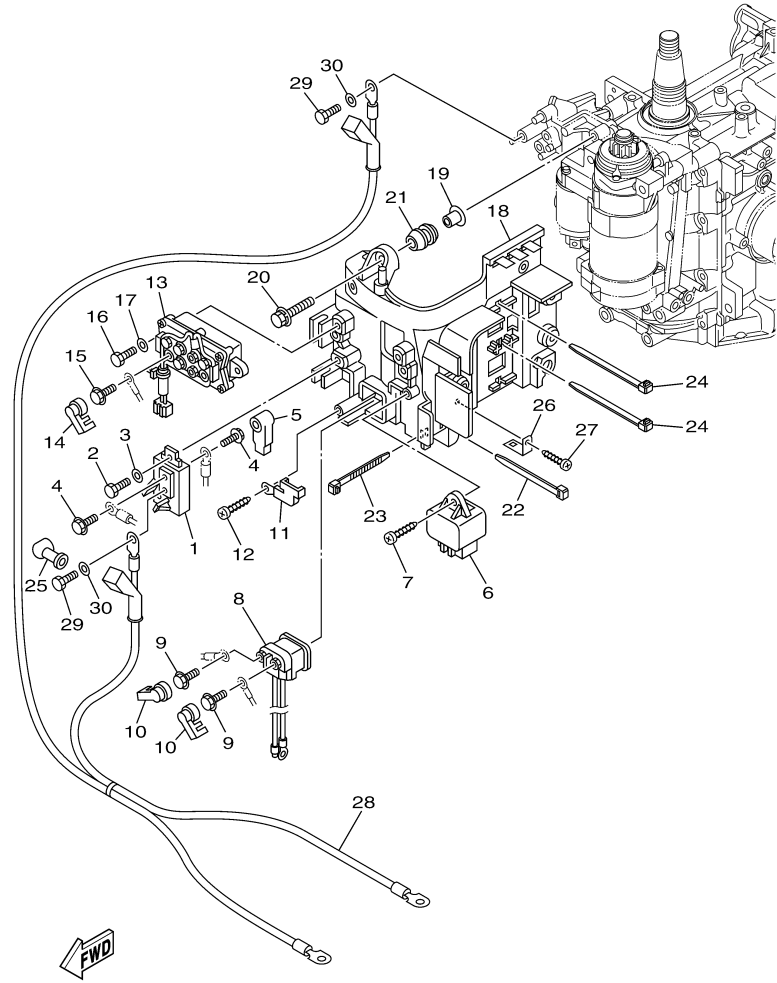
©2014 Yamaha Motor Corporation, U.S.A. All rights reserved.

Part List

F40JEHA_0112 / ELECTRICAL 2

REF - NO	PART NUMBER	PART NAME	QUANTITY	REMARKS
1	97013-08045-00	BOLT	3	
2	92903-08600-00	WASHER, PLATE	3	
3	90159-05M12-00	SCREW, WITH WASHER	1	
4	95333-08600-00	NUT	1	
5	92903-08100-00	WASHER, SPRING	1	
6	6BG-81815-00-00	CORD, STARTER MOTOR	1	
7	6BG-82115-00-00	WIRE, PLUS LEAD	1	
8	6BG-81822-00-94	BRACKET, STARTING MOTOR	1	
9	99590-10114-00	.PIN, DOWEL	2	
10	97095-08045-00	.BOLT	4	
11	92995-08600-00	WASHER	4	
12	62Y-11119-00-00	HANGER, ENGINE	1	
13	97095-06020-00	BOLT	2	
14	92995-06600-00	WASHER	2	

F40JEHA_0112 / ELECTRICAL 3



6BG3110-K160

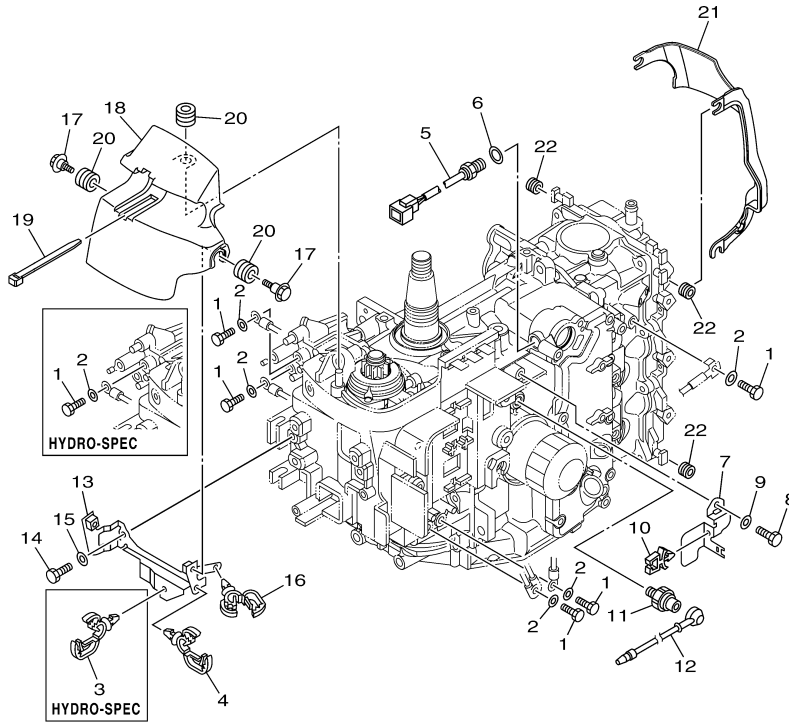
©2014 Yamaha Motor Corporation, U.S.A. All rights reserved.

Part List

F40JEHA_0112 / ELECTRICAL 3

REF - NO	PART NUMBER	PART NAME	QUANTITY	REMARKS
1	6BG-81925-00-00	TERMINAL	1	
2	97095-06016-00	BOLT	1	
3	92995-06600-00	WASHER	1	
4	97595-06610-00	BOLT, WITH WASHER	2	
5	682-82119-01-00	COVER, LEAD WIRE	1	
6	60E-81950-00-00	RELAY ASSY	1	
7	97780-60620-00	SCREW, TAPPING	1	
8	6AW-8194A-00-00	RELAY	1	
9	97595-06610-00	BOLT, WITH WASHER	2	
10	6P2-8183X-00-00	CAP, TERMINAL	2	
11	68F-81953-00-00	STAY, RELAY	1	
12	97780-60620-00	SCREW, TAPPING	1	
18	6BG-81948-00-00	BRACKET	1	
19	90387-06119-00	COLLAR	6	
20	90119-06M59-00	BOLT, WITH WASHER	6	
21	6A0-82317-00-00	DAMPER, IGNITION COIL	6	
22	90465-13M24-00	CLAMP	1	
23	90465-13M39-00	CLAMP	1	
24	90465-14M66-00	CLAMP	2	
25	6G5-82119-00-00	COVER, LEAD WIRE	1	
26	68V-85548-00-00	HOLDER	1	
27	97780-60620-00	SCREW, TAPPING	1	
28	6BG-82105-U0-00	BATTERY CABLE	1	AP
29	97095-06016-00	BOLT	2	AP
30	92995-06600-00	WASHER	2	AP

F40JEHA_0112 / ELECTRICAL 4



6BG1100-H160

©2014 Yamaha Motor Corporation, U.S.A. All rights reserved.



Part List

F40JEHA_0112 / ELECTRICAL 4

REF - NO	PART NUMBER	PART NAME	QUANTITY	REMARKS
1	97095-06016-00	BOLT	4	
2	92995-06600-00	WASHER	4	
3	90464-13249-00	CLAMP	1	
4	90464-13249-00	CLAMP	1	
5	6CJ-85790-00-00	THERMOSENSOR ASSY	1	
6	90430-14115-00	.GASKET	1	
7	6BG-82388-00-00	PLATE	1	
8	97095-06016-00	BOLT	1	
9	92995-06600-00	WASHER	1	
10	90464-06001-00	CLAMP	1	
11	64J-82504-00-00	OIL PRESSURE SWITCH ASSY	1	
12	68V-81315-00-00	LEAD WIRE ASSY	1	
13	6BG-8257V-00-00	PLATE, CONNECTOR	1	
14	97095-06016-00	BOLT	2	
15	92995-06600-00	WASHER	2	
16	90464-18246-00	CLAMP	1	
17	90109-06MA1-00	BOLT	2	
18	6BG-81942-00-00	COVER	1	
19	90465-13M24-00	CLAMP	1	
20	90480-12314-00	GROMMET	3	
21	6BG-11192-00-00	COVER, CYLINDER HEAD 2	1	
22	90480-12314-00	GROMMET	3	

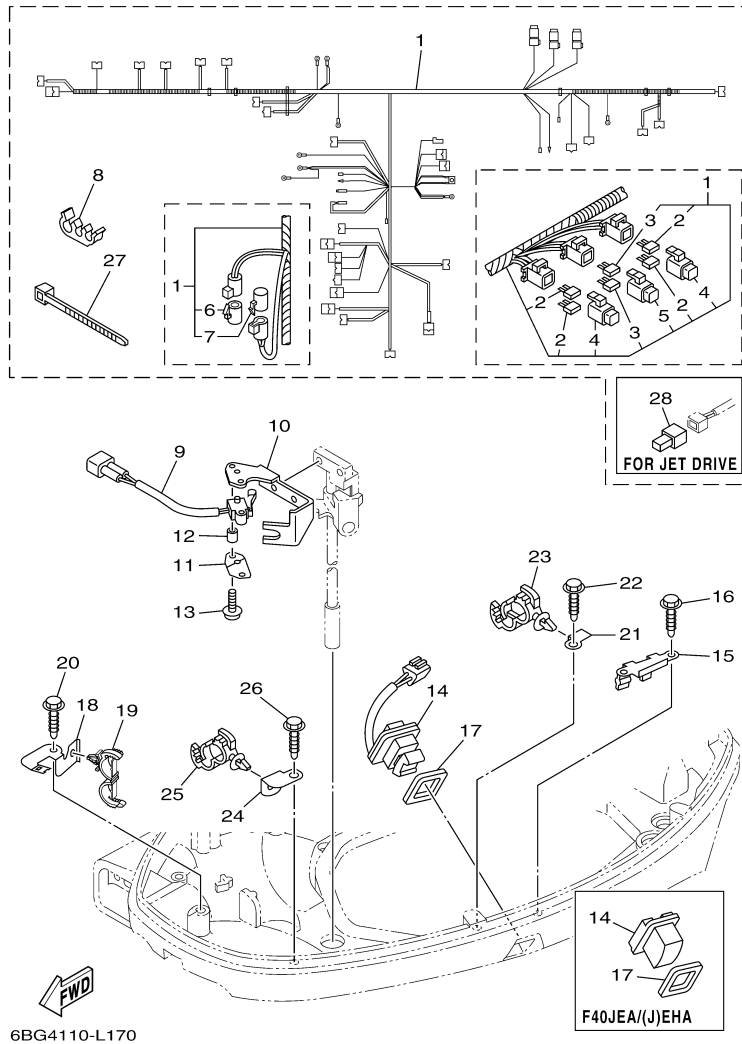
Part Notes

F40JEHA_0112 / ELECTRICAL 4

PART NUMBER		NOTE TEXT
90480-12314-00		OEM: GROMMET used on F115TLR and F/LF115TXR 0510 Production and Later
90480-12314-00		OEM: GROMMET used on F115TLR and F/LF115TXR 0510 Production and Later

©2014 Yamaha Motor Corporation, U.S.A. All rights reserved.

F40JEHA_0112 / ELECTRICAL 5



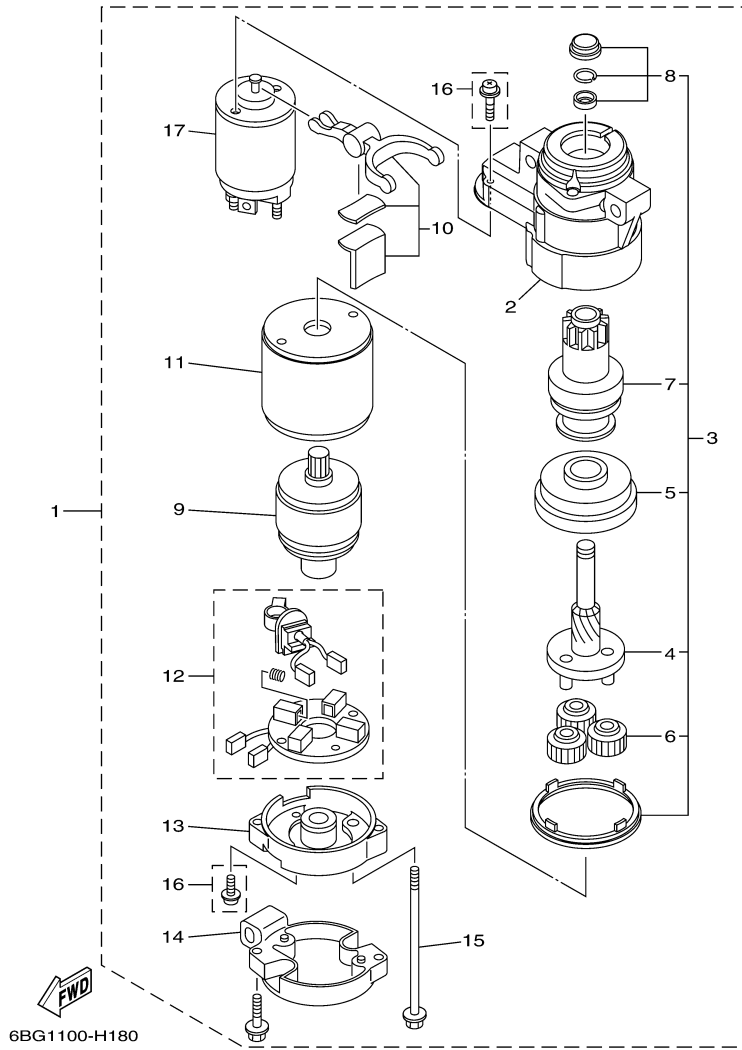
©2014 Yamaha Motor Corporation, U.S.A. All rights reserved.

Part List

F40JEHA_0112 / ELECTRICAL 5

REF - NO	PART NUMBER	PART NAME	QUANTITY	REMARKS
1	6BG-82590-12-00	WIRE HARNESS ASSY	1	
2	67F-82151-00-00	.FUSE (20A)	4	
3	67F-82151-10-00	.FUSE (30A)	2	
4	67F-8215B-10-00	.CAP (YELLOW)	2	
5	67F-8215B-20-00	.CAP (GREEN)	1	
8	90464-11008-00	CLAMP	1	
10	6C5-82554-01-00	STAY, NEUTRAL SWITCH	1	
14	69J-42723-01-00	COVER, BOTTOM	1	
15	6BG-83614-00-00	BRACKET	1	
16	90109-06M86-00	BOLT	2	
17	69J-82587-00-00	GASKET	1	
18	6BG-42811-01-00	STAY	1	
19	90464-18205-00	CLAMP	1	
20	90109-06M86-00	BOLT	1	
21	6BG-42743-00-00	BRACKET	1	
22	90109-06M86-00	BOLT	1	
23	90464-20181-00	CLAMP	1	
24	63P-42756-00-00	STAY, CLAMP	1	
25	90464-20181-00	CLAMP	1	
26	90109-06M86-00	BOLT	1	
27	90465-13M97-00	CLAMP	1	
28	68V-82582-10-00	COVER, WIRE HARNESS	1	FOR JET-DRIVE

F40JEHA_0112 / STARTING MOTOR



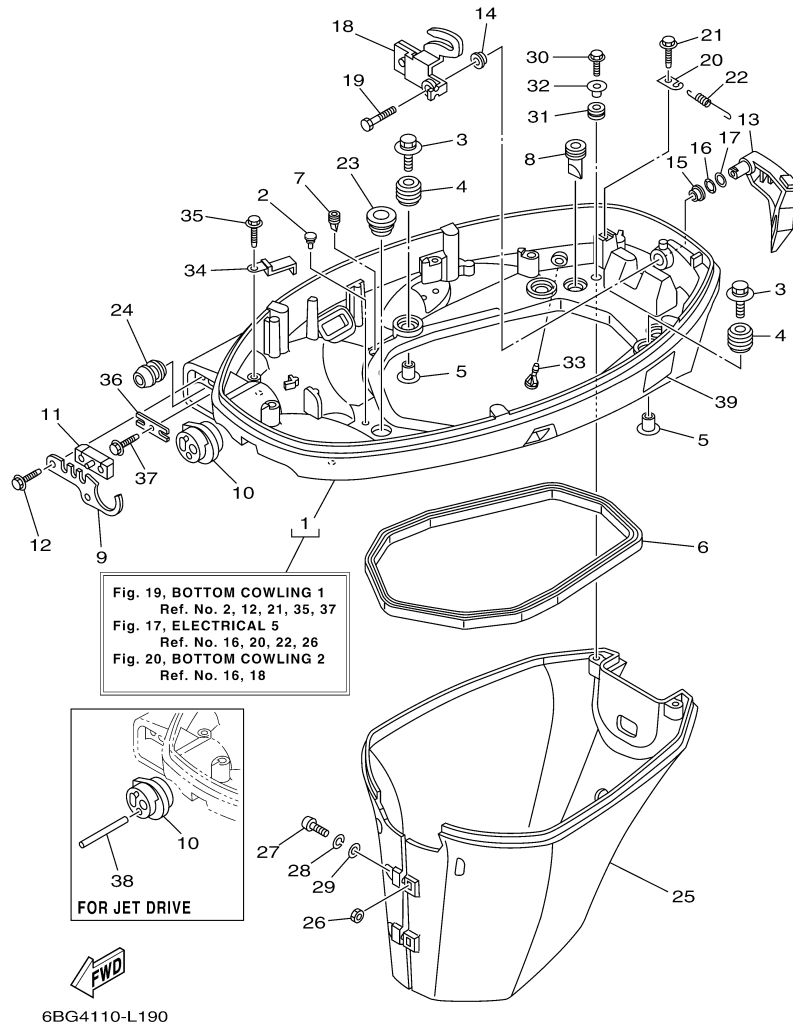
©2014 Yamaha Motor Corporation, U.S.A. All rights reserved.

Part List

F40JEHA_0112 / STARTING MOTOR

REF - NO	PART NUMBER	PART NAME	QUANTITY	REMARKS
1	6BG-81800-00-00	STARTING MOTOR ASSY	1	
2	6BG-81830-00-00	.FRONT BRACKET ASSY	1	
3	6BG-81807-00-00	.GEAR ASSY, STARTING MOTOR	1	
4	6BG-81836-00-00	..SPRING, LEVER	1	
5	6BG-81891-00-00	..GEAR, RING	1	
6	6AW-8183T-00-00	..GEAR, IDLER	3	
7	6BG-81832-00-00	..CLUTCH, OVER RUN	1	
8	6BG-81857-00-00	..RETAINER	1	
9	6BG-81850-00-00	.ARMATURE ASSY	1	
10	6BG-81839-00-00	.LEVER ASSY	1	
11	6BG-81810-00-00	.STATOR ASSY	1	
12	6BG-81840-00-00	.BRUSH HOLDER ASSY	1	
13	6BG-81820-00-00	.REAR BRACKET ASSY	1	
14	6BG-8182J-00-00	.BRACKET COMPLETE	1	
15	6BG-81826-00-00	.BOLT	2	
16	6BG-81846-00-00	.SCREW SET	1	
17	6BG-81941-00-00	.STARTER RELAY ASSY	1	

F40JEHA_0112 / BOTTOM COWLING 1



©2014 Yamaha Motor Corporation, U.S.A. All rights reserved.


Part List

F40JEHA_0112 / BOTTOM COWLING 1

REF - NO	PART NUMBER	PART NAME	QUANTITY	REMARKS
1	6BG-42710-01-8D	BOTTOM COWLING ASSY	1	
2	6H4-42748-00-00	GROMMET	3	
3	90119-06M61-00	BOLT, WITH WASHER	4	
4	6BG-42748-00-00	GROMMET	4	
5	90387-06M69-00	COLLAR	4	
6	62Y-42716-00-00	RUBBER, SEAL 1	1	
7	65W-42717-00-00	RUBBER, SEAL 2	2	
8	61A-42717-00-00	RUBBER, SEAL 2	2	
9	6BG-42761-00-00	STOPPER	1	
10	6BG-42725-00-00	GROMMET	1	
11	6BG-42727-00-00	GROMMET	1	
12	90109-06M86-00	BOLT	2	
13	6BG-42815-00-8D	LEVER, CLAMP	1	
14	90386-12M37-00	BUSH	1	
15	90386-12MA2-00	BUSH	1	
16	90206-12052-00	WASHER, WAVE	1	
17	90201-12M07-00	WASHER, PLATE	1	
18	6BG-42816-00-00	LEVER, CLAMP	1	
19	97095-06014-00	BOLT	1	
20	66T-43144-00-00	HOOK, SPRING	1	
21	90109-06M86-00	BOLT	1	
22	90506-18M40-00	SPRING, TENSION	1	
23	68U-42727-00-00	GROMMET	1	
24	6BG-24329-00-00	SEAL	1	
25	6BG-42741-00-8D	APRON	1	S(16.1")
26	95380-06600-00	NUT, HEXAGON	2	
27	97880-06025-00	SCREW, PAN HEAD	2	
28	92990-06100-00	..WASHER, SPRING	2	
29	92990-06600-00	WASHER, PLATE	2	
30	90109-06M80-00	.BOLT	2	
31	90480-13M24-00	GROMMET	2	
32	90387-06M43-00	COLLAR	2	
33	6BL-44391-00-00	NIPPLE, HOSE	1	
34	90462-20005-00	CLAMP	1	
35	90109-06M86-00	BOLT	1	
36	6BG-48538-00-00	CLAMP, CABLE 1	1	
37	90109-06M86-00	BOLT	1	
38	60V-42629-00-00	.SEAL	1	FOR JET-DRIVE
39	6AH-42794-40-00	LABEL, WARNING (GENERAL)	1	

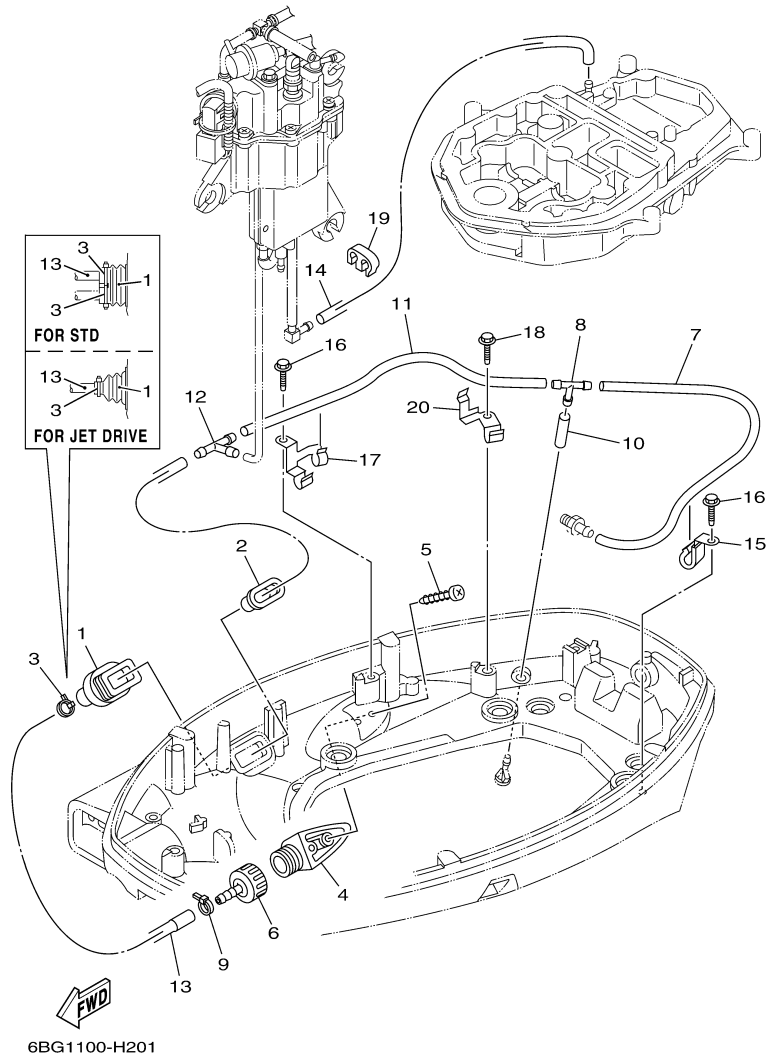
Part Notes

F40JEHA_0112 / BOTTOM COWLING 1

PART NUMBER	NOTE TEXT
92990-06600-00 	OEM: This part number is among the Top 100 Most Popular Marine Maintenance Parts as of March 2014.

©2014 Yamaha Motor Corporation, U.S.A. All rights reserved.

F40JEHA_0112 / BOTTOM COWLING 2



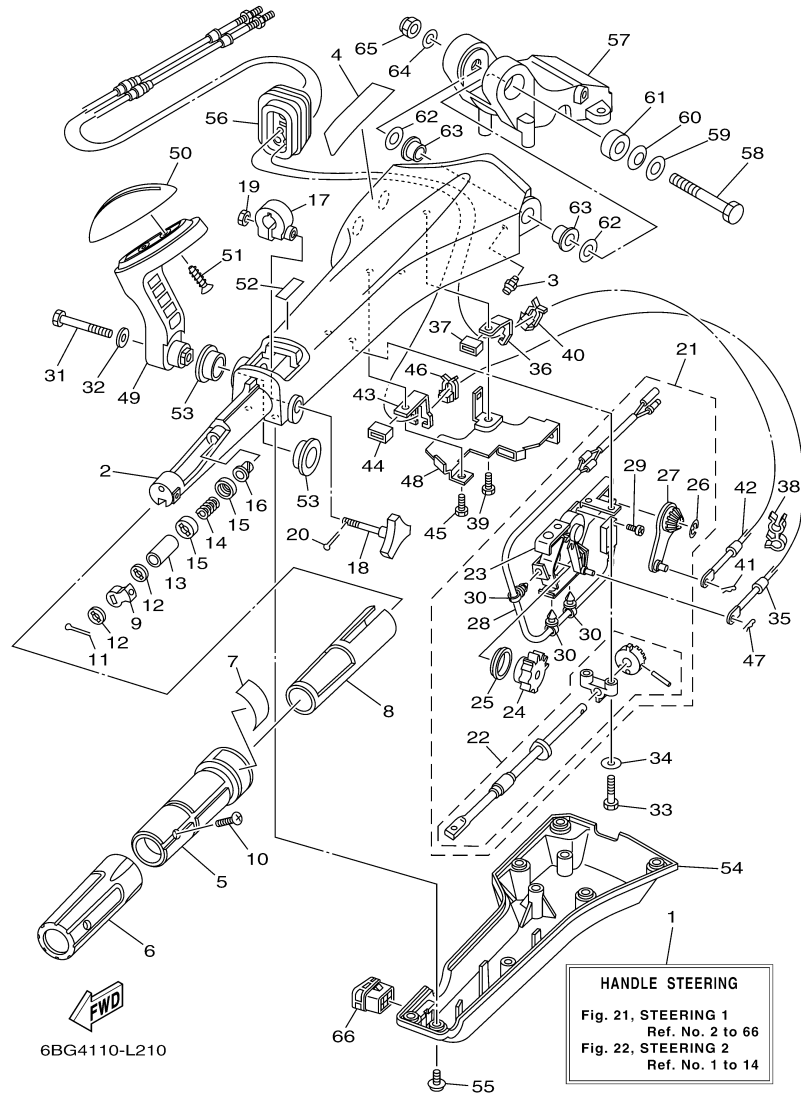
©2014 Yamaha Motor Corporation, U.S.A. All rights reserved.

Part List

F40JEHA_0112 / BOTTOM COWLING 2

REF - NO	PART NUMBER	PART NAME	QUANTITY	REMARKS
1	6BG-42724-00-00	GROMMET	1	FOR JET-DRIVE
2	6BG-42384-00-00	SEAL, CAP	1	
3	90465-11M10-00	CLAMP	1	FOR JET-DRIVE
4	6AW-12572-00-00	ADAPTER	1	
5	97780-60520-00	SCREW, TAPPING	2	
6	6R3-12580-00-00	JOINT ASSY	1	
7	90445-09035-00	HOSE (L380)	1	
8	688-24378-00-00	PIPE, JOINT 3	1	
9	90465-11M10-00	CLAMP	1	
10	90445-09220-00	HOSE (L30)	1	
11	90445-09224-00	HOSE (L270)	1	
12	688-24378-00-00	PIPE, JOINT 3	1	
13	6BG-12481-00-00	PIPE 1	1	
14	6A1-24311-00-00	PIPE, FUEL 1	1	
15	90462-08067-00	CLAMP	1	
16	90109-06M86-00	BOLT	2	
17	6BG-24135-01-00	CLAMP 1	1	
18	90109-06M86-00	BOLT	1	
19	90464-09M21-00	CLAMP	1	
20	6BG-24136-01-00	CLAMP 2	1	

F40JEHA_0112 / STEERING 1



©2014 Yamaha Motor Corporation, U.S.A. All rights reserved.

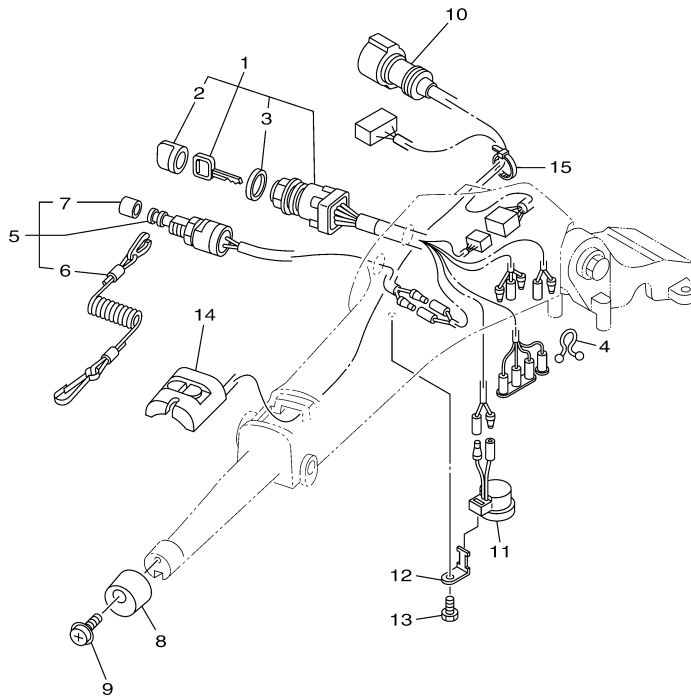
Part List

F40JEHA_0112 / STEERING 1

REF - NO	PART NUMBER	PART NAME	QUANTITY	REMARKS
1	6BC-42101-12-00	HANDLE, STEERING	1	
2	6X4-42111-02-8D	HANDLE, STEERING	1	
3	93700-06M03-00	NIPPLE, GREASE	1	
4	6X4-48215-00-00	GRAPHIC	1	
5	6X4-42119-01-00	GRIP, STEERING HANDLE	1	
6	6X4-42177-00-00	RUBBER, HANDLE	1	
7	6X4-42137-00-00	INDICATOR, THROTTLE	1	
8	6X4-41291-00-00	BUSHING	1	
9	6X4-44139-01-00	COLLAR	1	
10	90152-05007-00	SCREW, COUNTERSUNK	1	
11	91490-20010-00	PIN. COTTER	1	
12	6X4-44177-00-00	WASHER	2	
13	6X4-42128-00-00	COLLAR, DISTANCE 1	1	
14	90501-23215-00	SPRING, COMPRESSION	1	
15	6X4-44188-00-00	WASHER	2	
16	90386-08032-00	BUSH	1	
17	63D-42126-00-00	FRICITION, STEERING HANDLE GRIP	1	
18	6X4-48154-00-00	KNOB, THROTTLE	1	
19	95380-06600-00	NUT, HEXAGON	1	
20	91490-20010-00	PIN. COTTER	1	
21	6X4-44100-01-00	SHIFT LINK ASSY	1	
22	6X4-42115-00-00	.SHAFT, STEERING HANDLE	1	
23	6X4-44102-00-00	.SHIFT ASSIST ASSY	1	
24	6X4-47731-01-00	.GEAR, DRIVE	1	
25	6X4-44132-00-00	.BUSHING	1	
26	6X4-14137-00-00	.CLIP	1	
27	6X4-48261-00-00	.ARM, THROTTLE	1	
28	6X4-82540-00-00	.NEUTRAL SWITCH ASSY	1	
29	6A5-48129-10-00	.SCREW 3	2	
30	6X4-42821-00-00	.BAND, CLAMP	3	
31	97095-08040-00	BOLT	1	
32	92995-08600-00	WASHER	1	
33	97095-06030-00	BOLT	2	
34	92995-06600-00	WASHER	2	
35	67C-48321-11-00	CABLE	1	
36	6X4-48538-00-00	CLAMP, CABLE 1	1	
37	6X4-26367-00-00	PROTECTOR	1	
38	90464-09M42-00	CLAMP	1	
39	97095-06014-00	BOLT	1	
40	63D-48538-00-00	CLAMP, CABLE 1	1	
41	90468-10005-00	CLIP	1	
42	69W-26301-00-00	THROTTLE CABLE ASSY	1	
43	6X4-48538-10-00	CLAMP, CABLE 1	1	
44	6X4-26367-00-00	PROTECTOR	1	
45	97095-06014-00	BOLT	1	
46	63D-48538-00-00	CLAMP, CABLE 1	1	
47	90468-10005-00	CLIP	1	
48	6X4-42159-00-00	STAY	1	
49	6X4-44159-00-8D	HANDLE, GEAR SHIFT	1	
50	6X4-44173-00-00	LEVER, SHIFT CONTROL	1	
51	97780-60920-00	SCREW, TAPPING	2	
52	6G8-44191-00-00	INDICATOR, SHIFT	1	
53	90386-26MA3-00	BUSH	2	

54	6X4-42131-01-00	COVER, HANDLE STEERING	1	
55	97985-06216-00	SCREW, WITH WASHER	6	
56	6X4-42725-01-00	GROMMET	1	
57	63D-42121-22-8D	BRACKET	1	
58	90101-12014-00	BOLT	1	
59	92990-12200-00	WASHER, PLAIN	1	
60	90206-12M22-00	WASHER, WAVE	1	
61	90387-12M02-00	COLLAR	1	
62	90201-12035-00	WASHER, PLATE	2	
63	90386-12003-00	BUSH	2	
64	92990-12600-00	WASHER, PLATE	1	
65	90185-12M12-00	NUT, SELF-LOCKING	1	
66	6X4-42728-10-00	CAP	1	

F40JEHA_0112 / STEERING 2



6BG4110-L220

©2014 Yamaha Motor Corporation, U.S.A. All rights reserved.


Part List

F40JEHA_0112 / STEERING 2

REF - NO	PART NUMBER	PART NAME	QUANTITY	REMARKS
1	6X4-82510-01-00	MAIN SWITCH ASSY	1	
2	676-82577-00-00	.CAP, KEY	1	
3	703-82532-00-00	.CAP	1	
4	90464-08M07-00	CLAMP	1	
5	69W-82575-00-00	ENGINE STOP SWITCH ASSY	1	
6	682-82556-00-00	.LANYARD, STOP SWITCH	1	
7	689-8257Y-00-00	.CAP	1	
8	6X4-42728-00-00	CAP	1	
9	97980-06216-00	SCREW, WITH WASHER	1	
10	6X4-82586-10-00	EXT., WIRE HARNESS (L:950MM)	1	
11	6X4-83383-00-00	BUZZER	1	
12	6X4-83386-00-00	STAY, BUZZER	1	
13	97095-06014-00	BOLT	1	
14	6X4-81860-00-00	SWITCH ASSY	1	
15	90465-13M36-00	CLAMP	1	

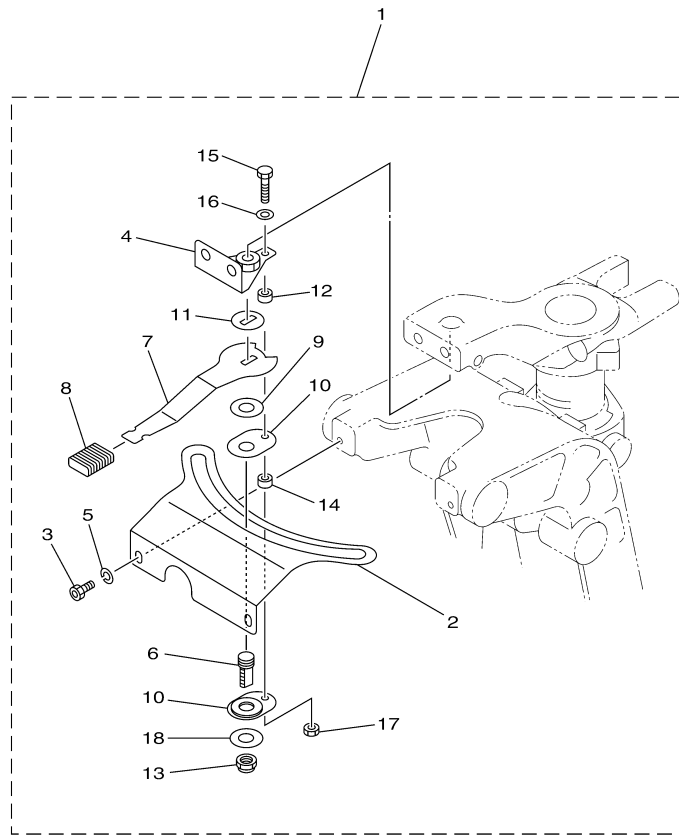
Part Notes

F40JEHA_0112 / STEERING 2

PART NUMBER	NOTE TEXT
682-82556-00-00 	OEM: This part number is among the Top 100 Most Popular Marine Maintenance Parts as of March 2014.

©2014 Yamaha Motor Corporation, U.S.A. All rights reserved.

F40JEHA_0112 / STEERING FRICTION



6BG4110-L230

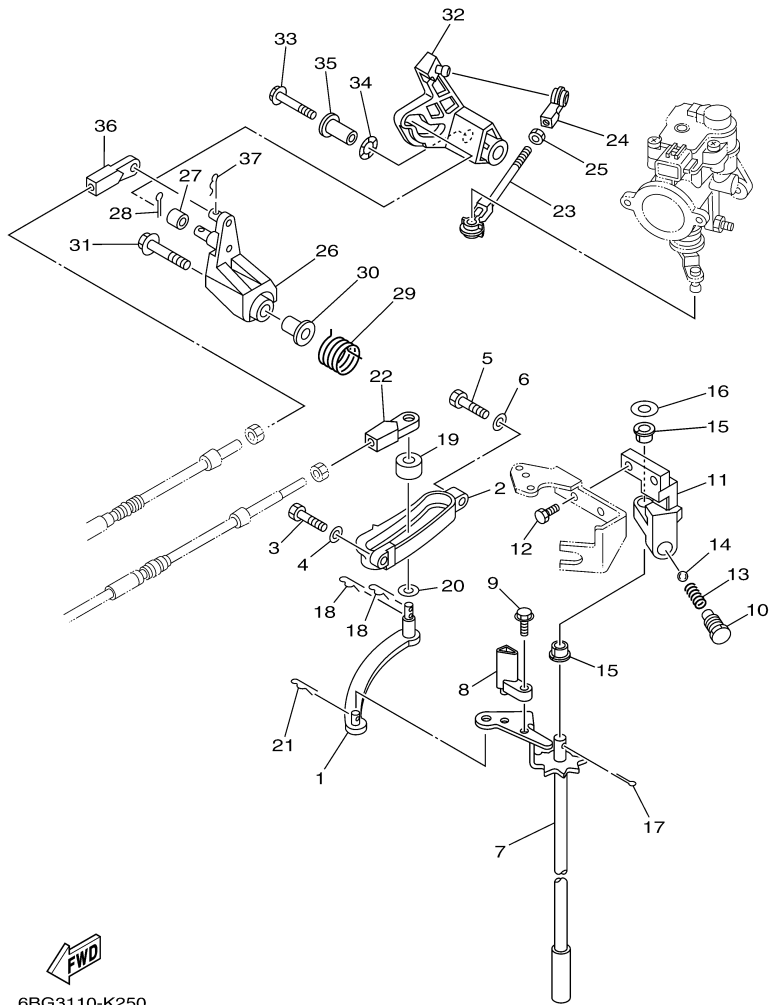
©2014 Yamaha Motor Corporation, U.S.A. All rights reserved.

Part List

F40JEHA_0112 / STEERING FRICTION

REF - NO	PART NUMBER	PART NAME	QUANTITY	REMARKS
1	67C-42508-04-00	STEERING FRICTION ASSY	1	
2	67C-42527-03-00	.PLATE, FRICTION	1	
3	90109-06M88-00	.BOLT	2	
4	67C-42525-00-00	.PLATE, FRICTION	1	
5	92990-06100-00	.WASHER, SPRING	2	
6	67C-42562-00-00	.SHAFT, STEERING LOCK	1	
7	67C-42561-00-00	.KNOB, STEERING LOCK	1	
8	689-43633-00-00	.COVER, TILT LEVER	1	
9	90202-10M56-00	.WASHER, PLATE	1	
10	65W-42528-00-00	.PLATE, FRICTION	2	
11	90209-10M26-00	.WASHER	1	
12	90387-05053-00	.COLLAR	1	
13	90185-10M14-00	.NUT, SELF-LOCKING	1	
14	90387-05054-00	.COLLAR	1	
15	97095-05020-00	.BOLT	1	
16	92995-05600-00	.WASHER	1	
17	95380-05600-00	.NUT	1	
18	90201-106M5-00	.WASHER, PLATE	1	

F40JEHA_0112 / CONTROL



6BG3110-K250

©2014 Yamaha Motor Corporation, U.S.A. All rights reserved.




Part List

F40JEHA_0112 / CONTROL

REF - NO	PART NUMBER	PART NAME	QUANTITY	REMARKS
1	69W-44121-00-00	LEVER, SHIFT ROD	1	
2	62Y-44117-01-94	BRACKET	1	
3	97095-06020-00	BOLT	1	
4	92995-06600-00	WASHER	1	
5	97095-06025-00	BOLT	1	
6	92995-06600-00	WASHER	1	
7	6BG-44120-00-00	HANDLE GEAR SHIFT ASSY	1	S(16.1")
10	62Y-42715-01-00	BUSHING	1	
11	62Y-44118-00-94	BRACKET	1	
12	90101-06054-00	BOLT	2	
13	90501-12082-00	SPRING, COMPRESSION	1	
14	93501-04M02-00	BALL	1	
15	90386-90M90-00	BUSH	2	
16	90201-10M20-00	.WASHER, PLATE	1	
17	91490-20015-00	PIN. COTTER	1	
18	90468-18008-00	CLIP	2	
19	688-44122-00-00	BUSHING, SHIFT ROD LEVER	1	
20	90202-07M07-00	WASHER, PLATE	1	
21	90468-18008-00	CLIP	1	
22	69W-48344-00-00	CABLE END, REMOTE CONTROL	1	
23	6J8-41237-00-00	JOINT, LINK	1	
24	682-41237-00-00	JOINT, LINK	1	
25	95380-05700-00	NUT	1	
26	62Y-42154-00-00	LEVER, THROTTLE CONTROL	1	
27	6C5-42171-00-00	BUSHING	1	
28	91490-16010-00	PIN. COTTER	1	
29	62Y-44135-00-00	SPRING	1	
30	90387-06M45-00	COLLAR	1	
31	90119-06106-00	BOLT, WITH WASHER	1	
32	6BG-42335-00-00	LEVER, ACCEL. CONTROL	1	
33	95895-06045-00	BOLT, FLANGE	1	
34	90206-10M04-00	WASHER, WAVE	1	
35	90387-06279-00	COLLAR	1	
36	69W-48344-00-00	CABLE END, REMOTE CONTROL	1	
37	90468-18008-00	CLIP	1	

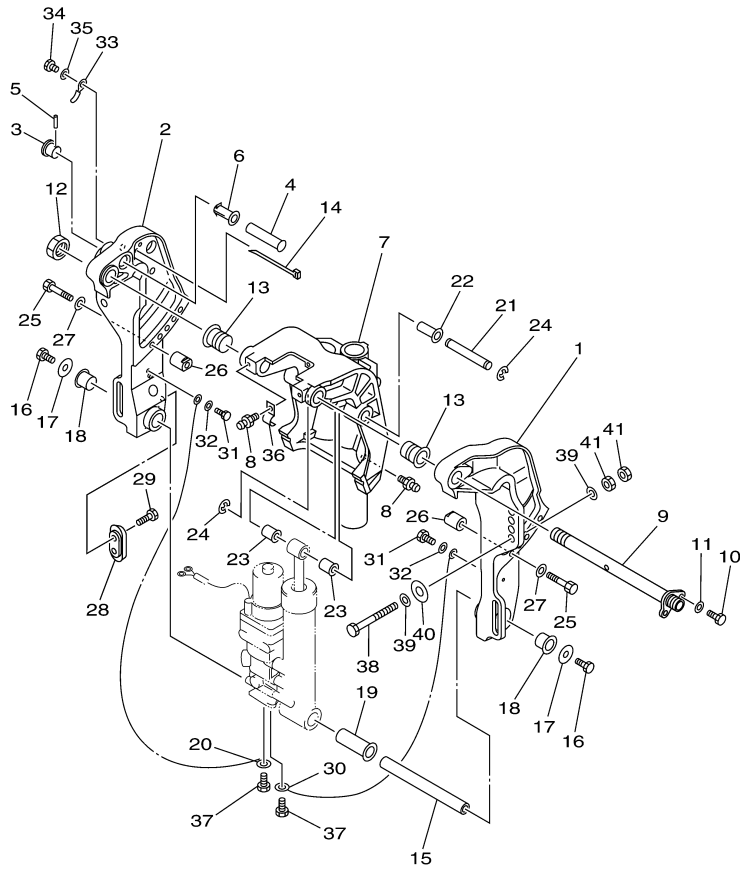
Part Notes

F40JEHA_0112 / CONTROL

PART NUMBER	NOTE TEXT
90468-18008-00 	OEM: This part number is among the Top 100 Most Popular Marine Maintenance Parts as of March 2014.
90468-18008-00 	OEM: This part number is among the Top 100 Most Popular Marine Maintenance Parts as of March 2014.
90468-18008-00 	OEM: This part number is among the Top 100 Most Popular Marine Maintenance Parts as of March 2014.

©2014 Yamaha Motor Corporation, U.S.A. All rights reserved.

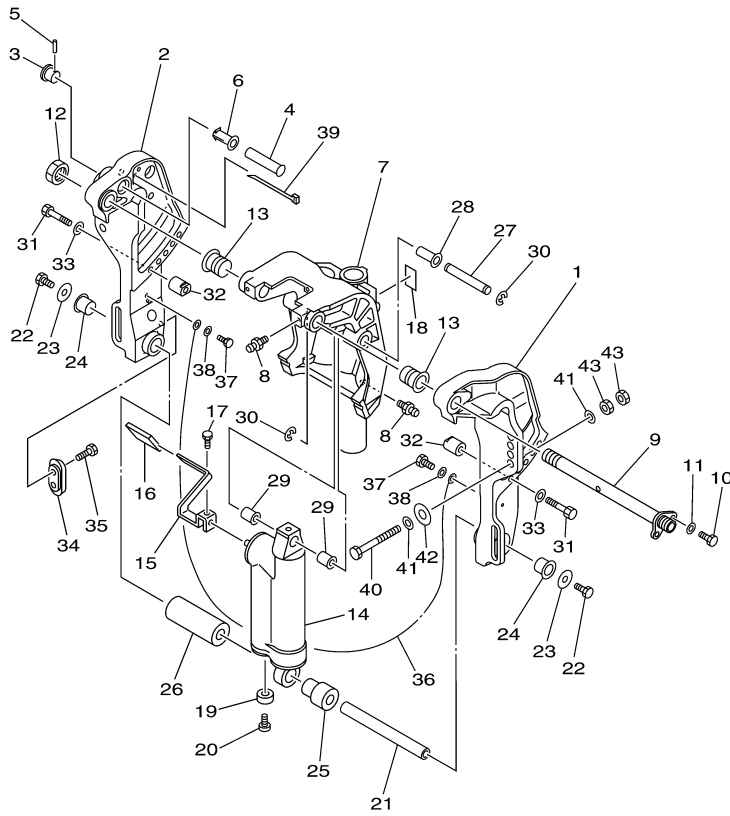
F40JEHA_0112 / BRACKET 1



6BG1110-H260

©2014 Yamaha Motor Corporation, U.S.A. All rights reserved.

F40JEHA_0112 / BRACKET 2



6BG11110-H270

©2014 Yamaha Motor Corporation, U.S.A. All rights reserved.


Part List

F40JEHA_0112 / BRACKET 2

REF - NO	PART NUMBER	PART NAME	QUANTITY	REMARKS
1	6K9-43111-10-8D	BRACKET, CLAMP 1	1	
2	6BG-43112-10-8D	BRACKET, CLAMP 2	1	
3	65W-43192-00-00	KNOB, STOPPER	1	
4	65W-43191-00-00	SHAFT, STOPPER	1	
5	91690-30018-00	PIN, SPRING	1	
6	90386-14MA1-00	BUSH	1	
7	6BG-43311-00-8D	BRACKET, SWIVEL 1	1	S(16.1")
8	93700-06M03-00	NIPPLE, GREASE	1	
9	6K9-43131-01-00	BOLT, CLAMP BRACKET	1	
10	97095-08020-00	BOLT	1	
11	92995-08600-00	WASHER	1	
12	90185-22M11-00	NUT, SELF-LOCKING	1	
13	90386-22MA4-00	BUSH	2	
14	67C-43107-02-8D	SHOCK ABSORBER SUB-ASSY	1	S(16.1")
15	67C-43631-00-00	LEVER, TILT	1	
16	682-43318-01-00	COVER	1	
17	97095-06010-00	BOLT	1	
18	63D-43691-00-00	INDICATOR, TILT	1	
19	663-45251-00-00	ANODE	1	
20	98680-06525-00	SCREW, OVAL HEAD	1	
21	90249-18M35-00	PIN	1	
22	97080-08016-00	BOLT	2	
23	90201-08M00-00	WASHER, PLATE	2	
24	90386-18M44-00	BUSH	2	
25	90386-18MA5-00	BUSH	1	
26	90387-18M03-00	COLLAR	1	
27	90249-12M38-00	PIN	1	
28	90381-12M10-00	BUSH, SOLID	1	
29	90381-12M11-00	BUSH, SOLID	2	
30	99080-10600-00	CIRCLIP	2	
31	97095-10050-00	BOLT	2	
32	6BG-43654-00-00	NUT 1	2	
33	92995-10600-00	WASHER	2	
34	65W-45251-00-00	ANODE	1	
35	90101-06020-00	BOLT	2	
36	67C-82127-20-00	WIRE, LEAD 2	1	
37	97095-06014-00	BOLT	2	
38	92995-06600-00	WASHER	2	
40	90101-12M65-00	BOLT	4	
41	90201-12062-00	WASHER, PLATE	8	
42	90201-12426-00	WASHER, PLATE	4	
43	95380-12600-00	NUT	8	

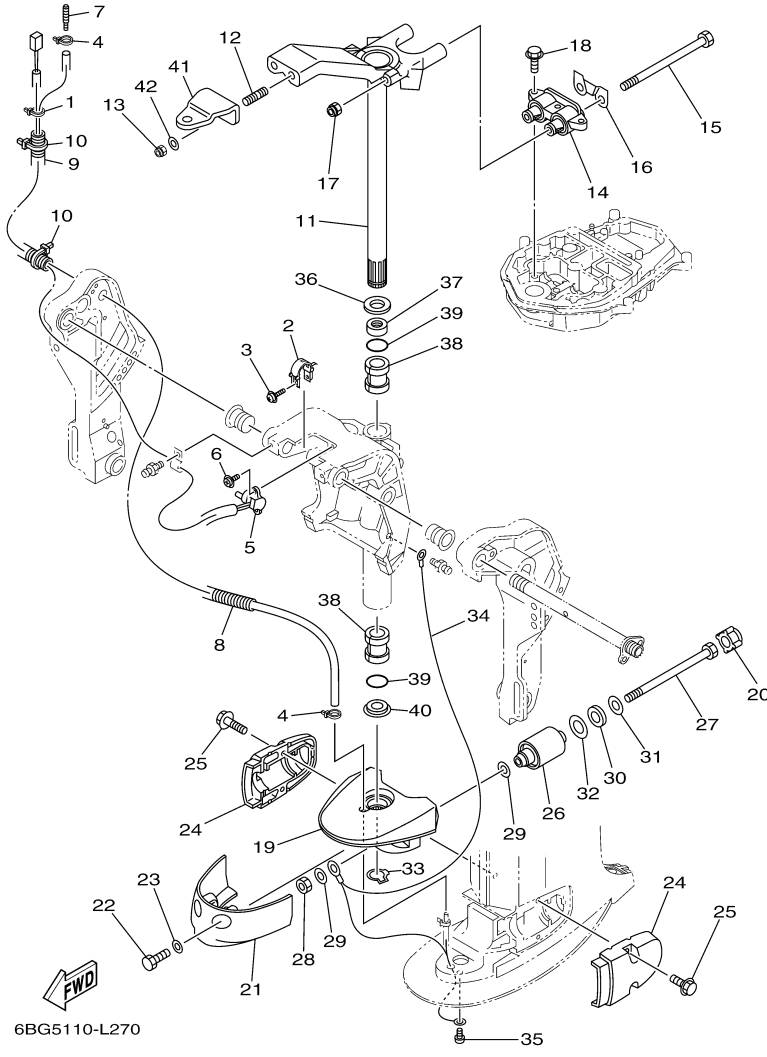
Part Notes

F40JEHA_0112 / BRACKET 2

PART NUMBER	NOTE TEXT
65W-45251-00-00 	OEM: This part number is among the Top 100 Most Popular Marine Maintenance Parts as of March 2014.

©2014 Yamaha Motor Corporation, U.S.A. All rights reserved.

F40JEHA_0112 / BRACKET 3



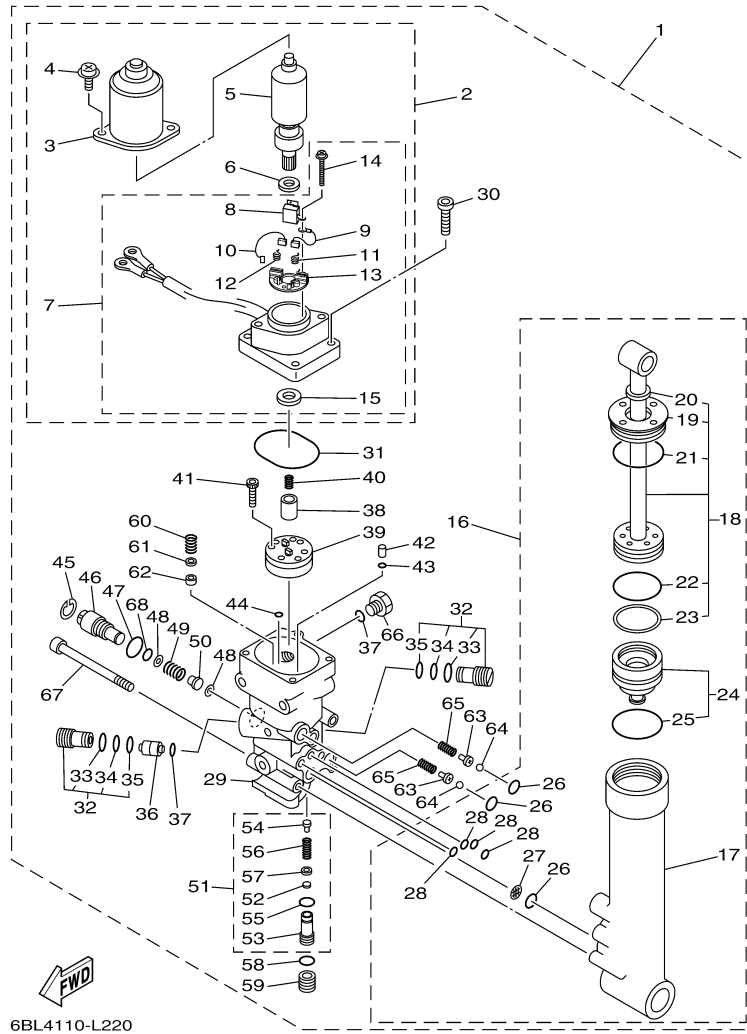
©2014 Yamaha Motor Corporation, U.S.A. All rights reserved.

Part List

F40JEHA_0112 / BRACKET 3

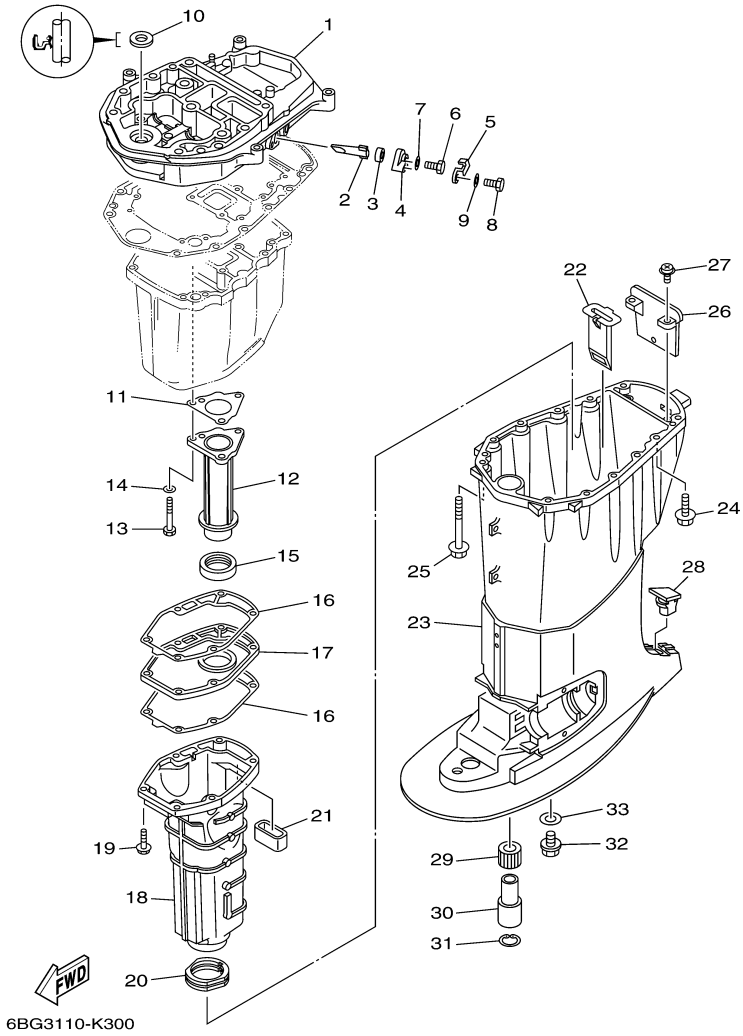
REF - NO	PART NUMBER	PART NAME	QUANTITY	REMARKS
11	6BG-42510-00-8D	STEERING BRACKET ASSY	1	S(16.1")
12	90116-10M28-00	BOLT, STUD	2	
13	90185-10051-00	NUT, SELF-LOCKING	2	
14	67C-44514-00-94	MOUNT DAMPER, UPPER SIDE	1	S(16.1")
15	90101-08M15-00	BOLT	2	
16	66T-44526-30-00	PLATE	1	
17	90185-08045-00	NUT, SELF-LOCKING	2	
18	97575-08530-00	BOLT, WITH WASHER	3	
19	67C-44551-01-8D	HOUSING, LOWER MOUNT RUBBER 1	1	S(16.1")
20	69W-44575-00-00	DAMPER, LOWER MOUNT RUBBER	2	
24	6C5-44552-00-8D	HOUSING, LOWER MOUNT RUBBER 2	2	
25	90119-08131-00	BOLT, WITH WASHER	4	
26	67C-44555-21-00	MOUNT DAMPER, LOWER SIDE	2	S(16.1")
27	90109-12MA3-00	BOLT	2	
28	95380-12700-00	NUT	2	
29	90201-12M16-00	WASHER, PLATE	4	
30	90202-21100-00	WASHER, PLATE	2	
31	90201-13M19-00	WASHER, PLATE	2	
32	90201-22M05-00	WASHER, PLATE	2	
33	93410-28M06-00	CIRCLIP	1	
34	67C-82127-00-00	WIRE, LEAD 2	1	S(16.1")
35	97885-06008-00	SCREW, PAN HEAD	1	
36	90201-30M00-00	WASHER, PLATE	1	
37	90386-30M78-00	BUSH	1	
38	90386-30M77-00	BUSH	2	
39	93210-29M94-00	O-RING	2	
40	90386-30M60-00	BUSH	1	

F40JEHA_0112 / POWER TRIM TILT ASSY



©2014 Yamaha Motor Corporation, U.S.A. All rights reserved.

F40JEHA_0112 / UPPER CASING



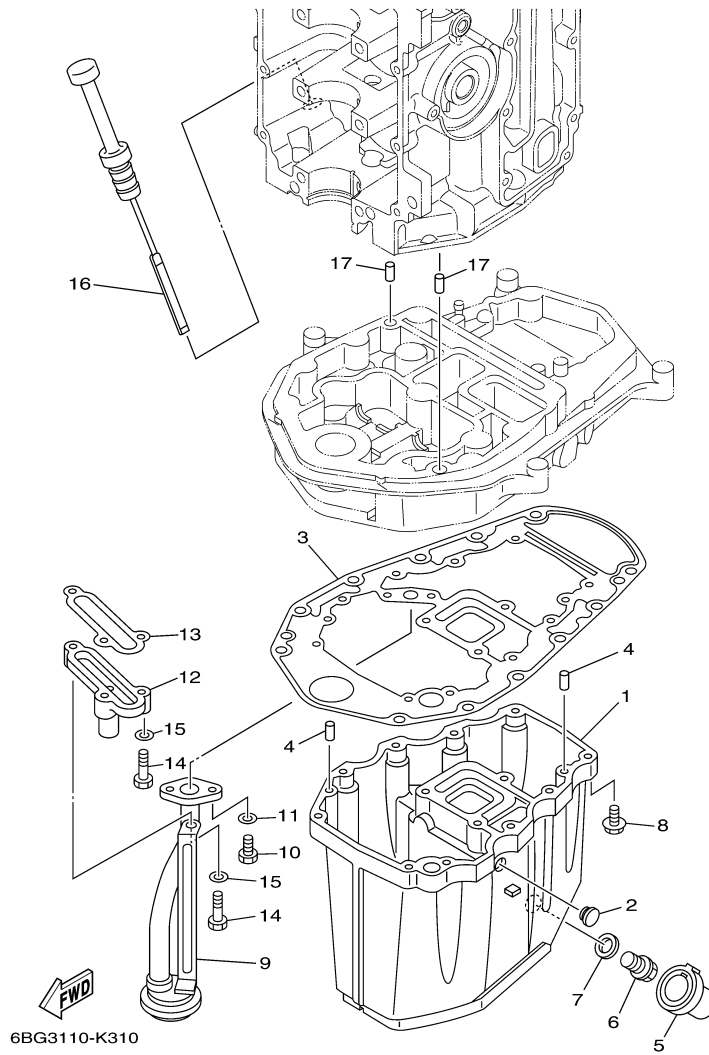
©2014 Yamaha Motor Corporation, U.S.A. All rights reserved.

Part List

F40JEHA_0112 / UPPER CASING

REF - NO	PART NUMBER	PART NAME	QUANTITY	REMARKS
1	6BG-41137-00-CA	GUIDE, EXHAUST	1	
2	62Y-11325-00-00	ANODE	1	
3	66M-11328-00-00	GROMMET, ANODE	1	
4	66M-11327-00-94	COVER, ANODE	1	
5	66M-12535-00-00	PLATE	1	
6	97095-05012-00	BOLT	1	
7	92995-05600-00	WASHER	1	
8	97013-06020-00	BOLT	1	
9	92903-06600-00	WASHER, PLATE	1	
10	93110-16004-00	.OIL SEAL	1	
11	64J-41133-10-00	.GASKET, EXHAUST MANIFOLD 1	1	
12	6BG-41131-00-CA	MANIFOLD, EXT. 1	1	
13	97075-06050-00	BOLT	3	
14	92995-06600-00	WASHER	3	
15	64J-46132-10-00	.GASKET 1	1	
16	6BG-41134-00-00	.GASKET, EXHAUST MANIFOLD	2	
17	6BG-45181-00-CA	PLATE	1	
18	6BG-14711-00-CA	MUFFLER 1	1	S(16.1")
19	97575-06525-00	BOLT, WITH WASHER	6	
20	67C-45123-00-00	.GASKET, MUFFLER	1	
21	62Y-45127-00-00	.SEAL	1	
22	64J-77123-00-00	GUIDE 1	1	
23	6BG-45111-00-8D	CASING, UPPER	1	S(16.1")
24	90119-08102-00	BOLT, WITH WASHER	4	
25	90119-08132-00	BOLT, WITH WASHER	8	
26	67C-45151-00-00	COVER, UPPER CASING	1	
27	97980-05216-00	SCREW, WITH WASHER	2	
28	63D-45155-00-00	CAP	1	S(16.1")

F40JEHA_0112 / OIL PAN



©2014 Yamaha Motor Corporation, U.S.A. All rights reserved.


Part List

F40JEHA_0112 / OIL PAN

REF - NO	PART NUMBER	PART NAME	QUANTITY	REMARKS
1	6BG-15311-00-CA	OIL PAN	1	
2	90480-12M25-00	GROMMET	1	
3	69W-15312-00-00	.GASKET, OIL PAN	1	
4	93606-12019-00	.PIN, DOWEL	4	
5	67C-15316-10-00	DAMPER 1	1	S(16.1")
6	90340-14M06-00	PLUG, STRAIGHT SCREW	1	
7	90430-14M09-00	.GASKET	1	
8	97575-06525-00	BOLT, WITH WASHER	10	
9	62Y-13411-00-00	STRAINER, OIL	1	
10	97013-06016-00	BOLT	2	
11	92903-06600-00	WASHER, PLATE	2	
12	6BG-11576-00-94	BODY, RELIEF	1	
13	62Y-13475-00-00	.GASKET	1	
14	97013-06025-00	BOLT	3	
15	92903-06600-00	WASHER, PLATE	3	
16	6BG-15362-00-00	PLUG, OIL LEVEL	1	
17	93608-12M05-00	PIN, DOWEL	2	

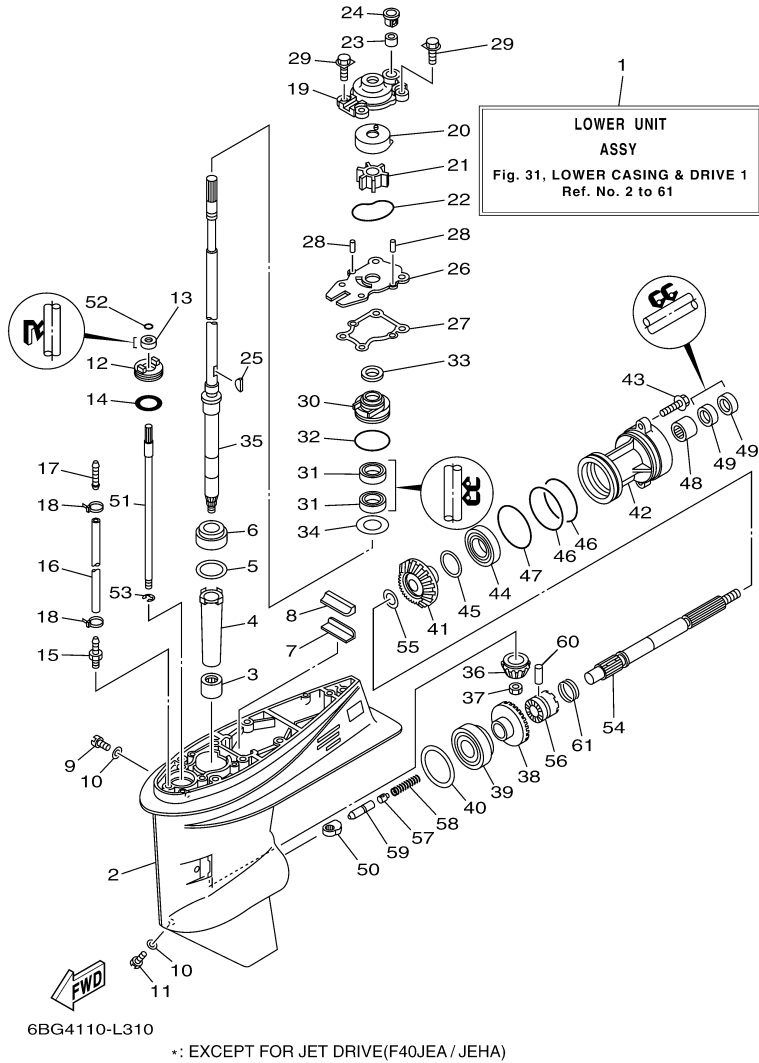
Part Notes

F40JEHA_0112 / OIL PAN

PART NUMBER	NOTE TEXT
90430-14M09-00 	OEM: This part number is among the Top 100 Most Popular Marine Maintenance Parts as of March 2014.

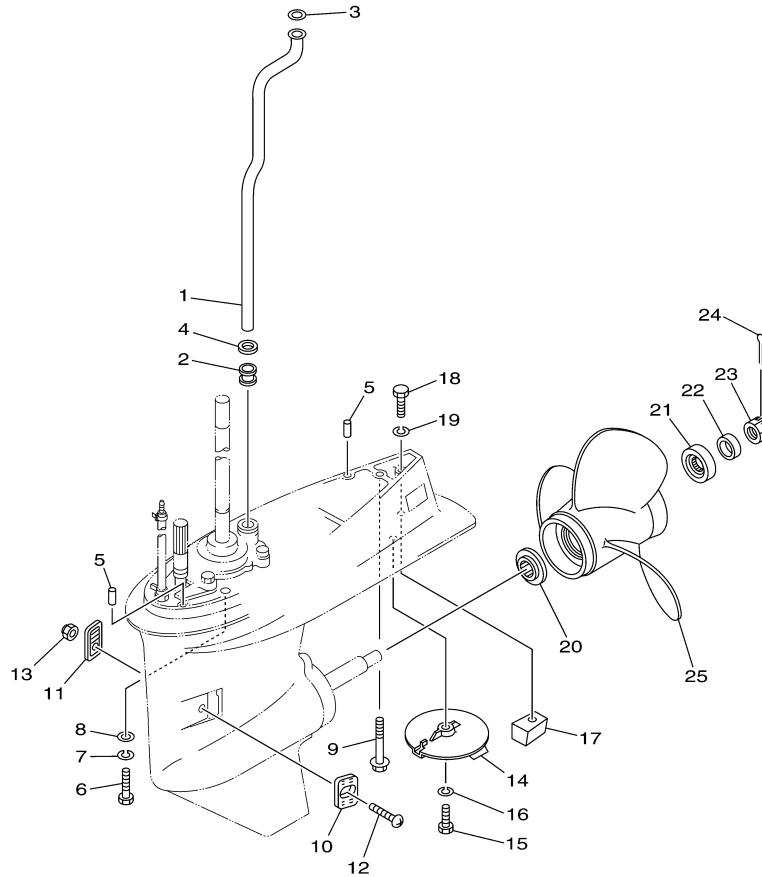
©2014 Yamaha Motor Corporation, U.S.A. All rights reserved.

F40JEHA_0112 / LOWER CASING DRIVE 1



©2014 Yamaha Motor Corporation, U.S.A. All rights reserved.

F40JEHA_0112 / LOWER CASING DRIVE 2



6BG1100-H320

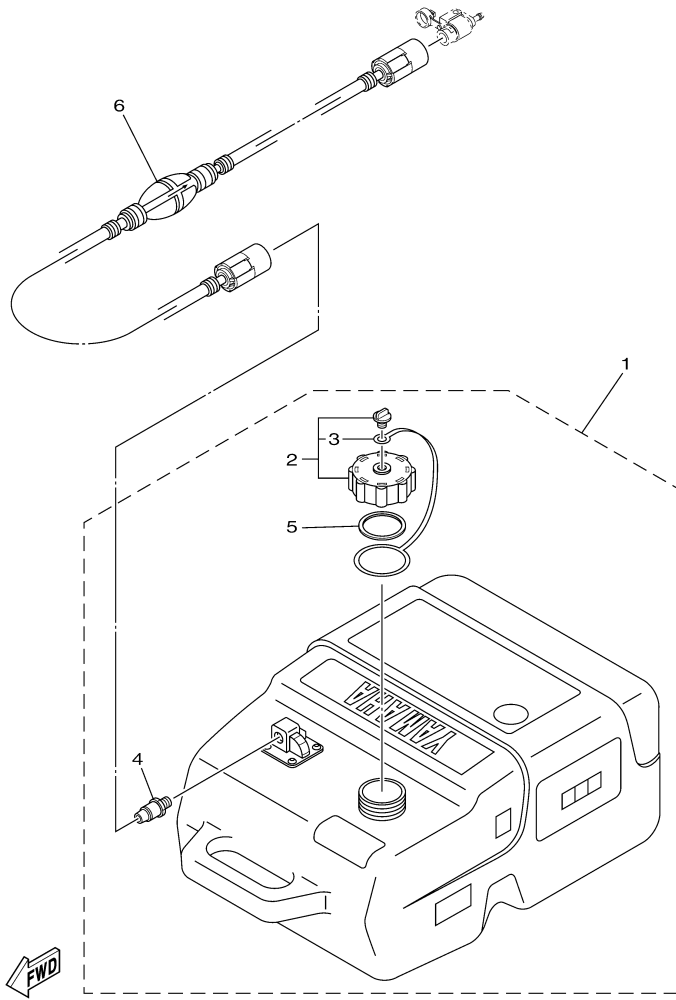
*: FROM REF.NO.5 TO REF.NO.25
EXCEPT FOR JET DRIVE(F40JEA / JEHA)

Part List

F40JEHA_0112 / LOWER CASING DRIVE 2

REF - NO	PART NUMBER	PART NAME	QUANTITY	REMARKS
1	67C-44361-00-00	TUBE, WATER 1	1	S(16.1")
2	663-44367-00-00	DAMPER, WATER SEAL 3	1	
3	90202-12060-00	WASHER, PLATE	1	
4	90430-12072-00	GASKET	1	

F40JEHA_0112 / FUEL TANK



6BL5110-L270

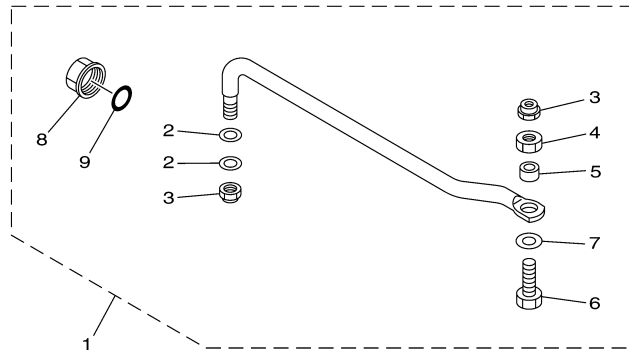
©2014 Yamaha Motor Corporation, U.S.A. All rights reserved.

Part List

F40JEHA_0112 / FUEL TANK

REF - NO	PART NUMBER	PART NAME	QUANTITY	REMARKS
1	6YK-24201-41-00	FUEL TANK ASSY (25L)	1	AP
2	6YL-24610-10-00	.CAP ASSY	1	
3	6YL-24641-10-00	..GASKET, CAP 1	1	
4	6YL-24377-00-00	.PIPE, JOINT 2	1	
5	6YL-24629-00-00	.RING	1	
6	6YK-24306-72-00	FUEL PIPE COMP. 1	1	AP

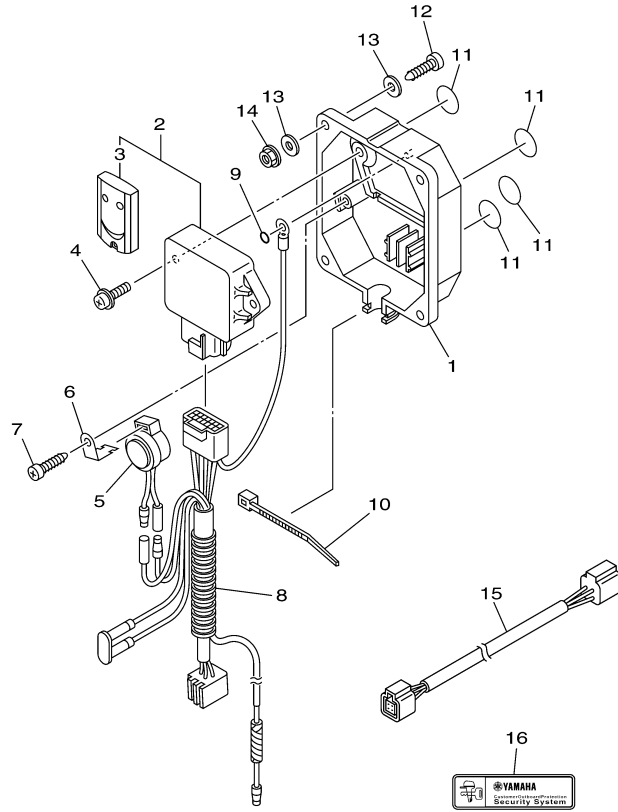
F40JEHA_0112 / STEERING GUIDE



6BG1100-H340

©2014 Yamaha Motor Corporation, U.S.A. All rights reserved.

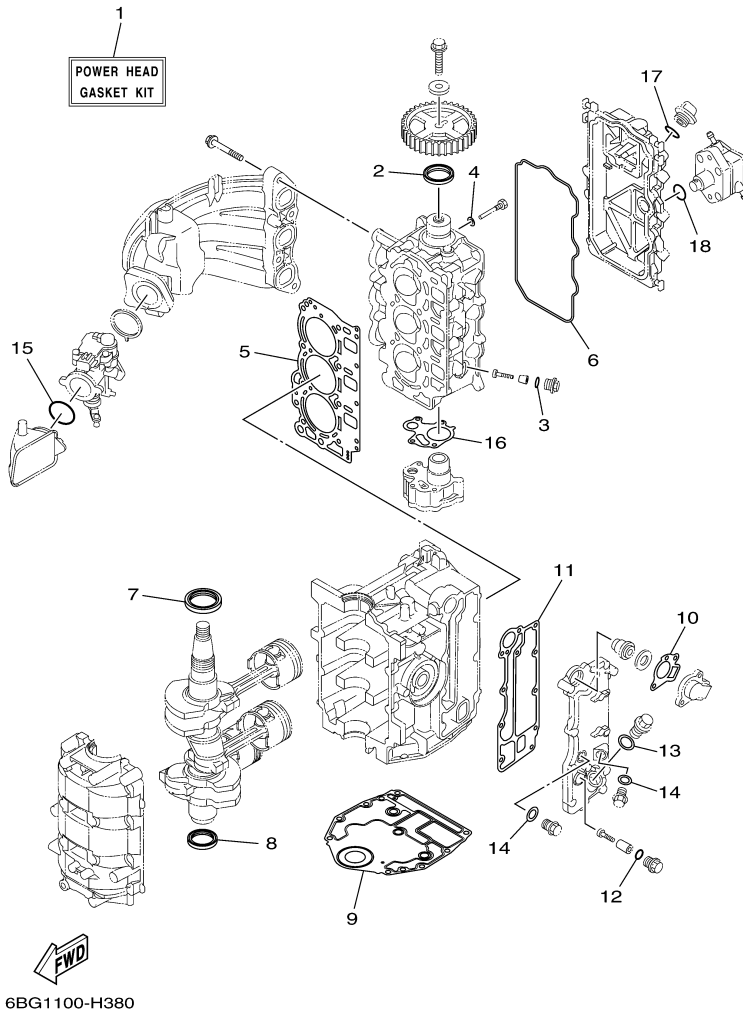
F40JEHA_0112 / OPTIONAL PARTS



6CJ1100-K370

©2014 Yamaha Motor Corporation, U.S.A. All rights reserved.

F40JEHA_0112 / REPAIR KIT 1



©2014 Yamaha Motor Corporation, U.S.A. All rights reserved.


Part List

F40JEHA_0112 / REPAIR KIT 1

REF - NO	PART NUMBER	PART NAME	QUANTITY	REMARKS
1	6BG-W0001-00-00	POWER HEAD GASKET KIT	1	
2	93102-37M40-00	.OIL SEAL	1	
3	93210-13M63-00	.O-RING	3	
4	90430-06014-00	.GASKET	1	
5	6BG-11181-00-00	.GASKET, CYLINDER HEAD 1	1	
6	6BG-11356-00-00	.SEAL, CYLINDER 2	1	
7	93102-43M42-00	.OIL SEAL	1	
8	93101-35002-00	.OIL SEAL	1	
9	6BG-11351-00-00	.GASKET, CYLINDER	1	
10	62Y-12414-00-00	.GASKET, COVER	1	
11	6BG-41114-00-00	.GASKET, EXHAUST OUTER COVER	1	
12	93210-13M63-00	.O-RING	1	
13	90430-18130-00	.GASKET	1	
14	90430-14115-00	.GASKET	2	
15	93210-42159-00	.O-RING	1	
16	6C5-13329-00-00	.GASKET, PUMP COVER	1	
17	93210-24M79-00	.O-RING	1	
18	93210-24M79-00	.O-RING	1	

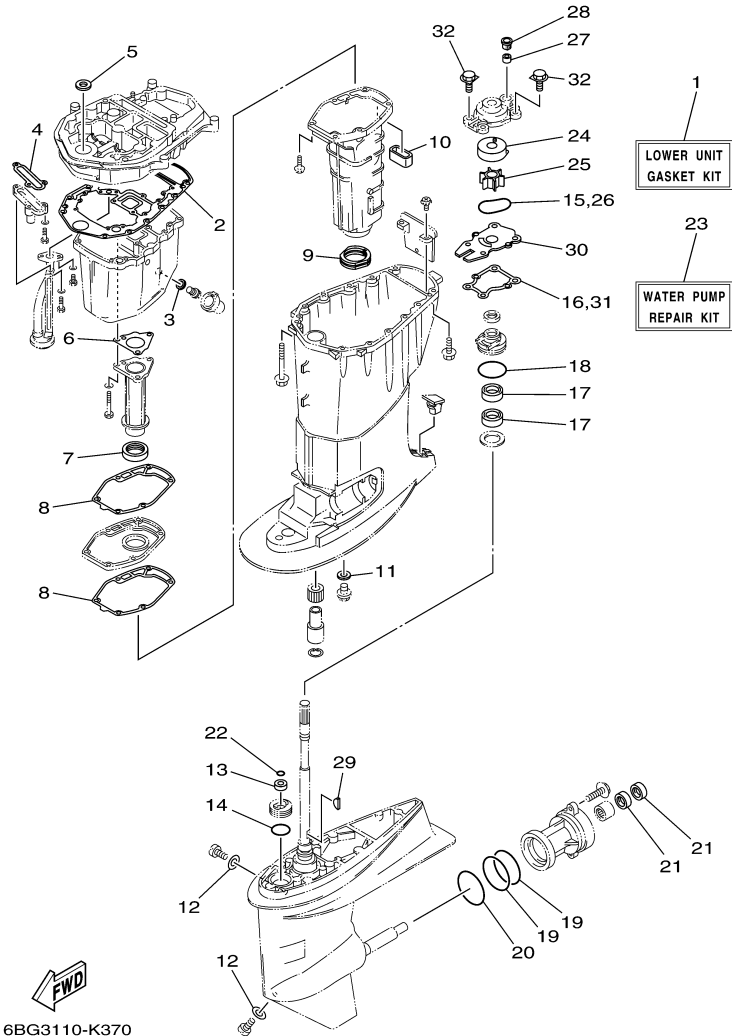
Part Notes

F40JEHA_0112 / REPAIR KIT 1

PART NUMBER	NOTE TEXT
62Y-12414-00-00 	OEM: This part number is among the Top 100 Most Popular Marine Maintenance Parts as of March 2014.

©2014 Yamaha Motor Corporation, U.S.A. All rights reserved.

F40JEHA_0112 / REPAIR KIT 2



6BG3110-K370

*: EXCEPT FOR JET DRIVE(F40JEA / JEHA)

©2014 Yamaha Motor Corporation, U.S.A. All rights reserved.