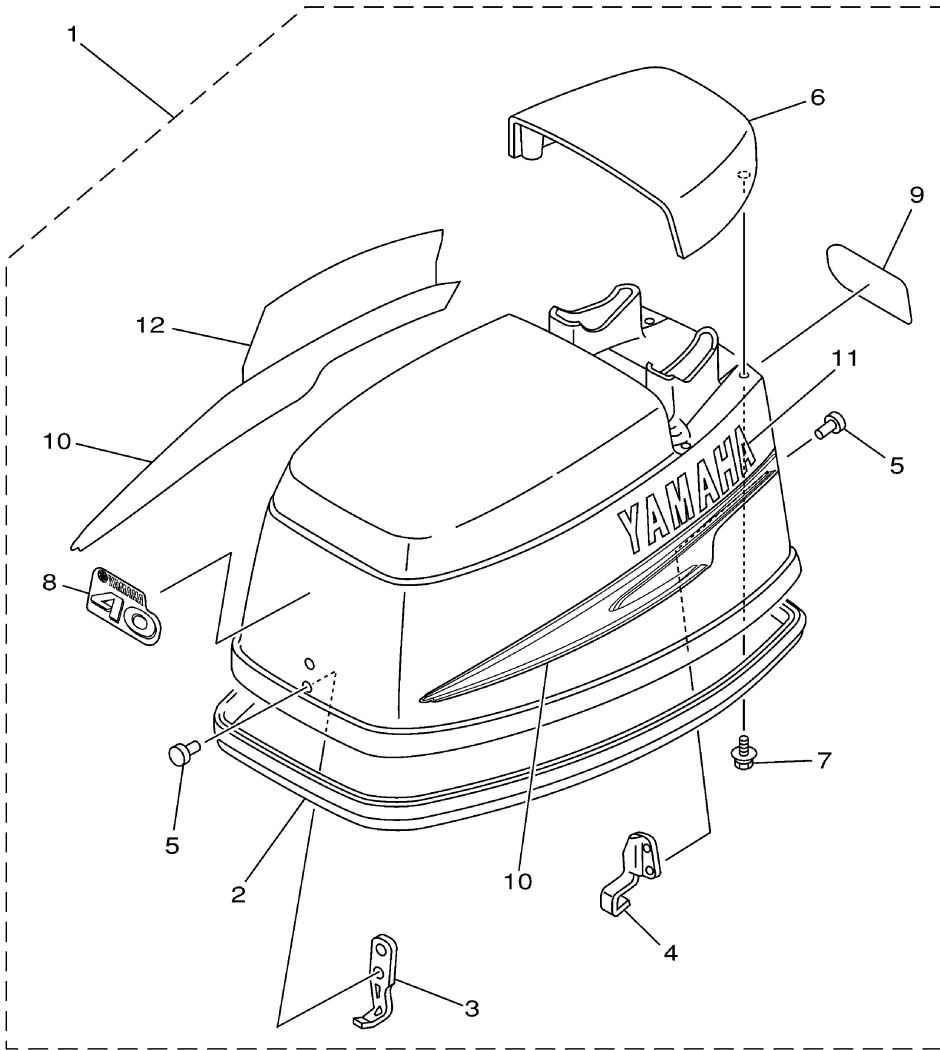


C40TLRA 2002 / TOP COWLING



63D4110-2010

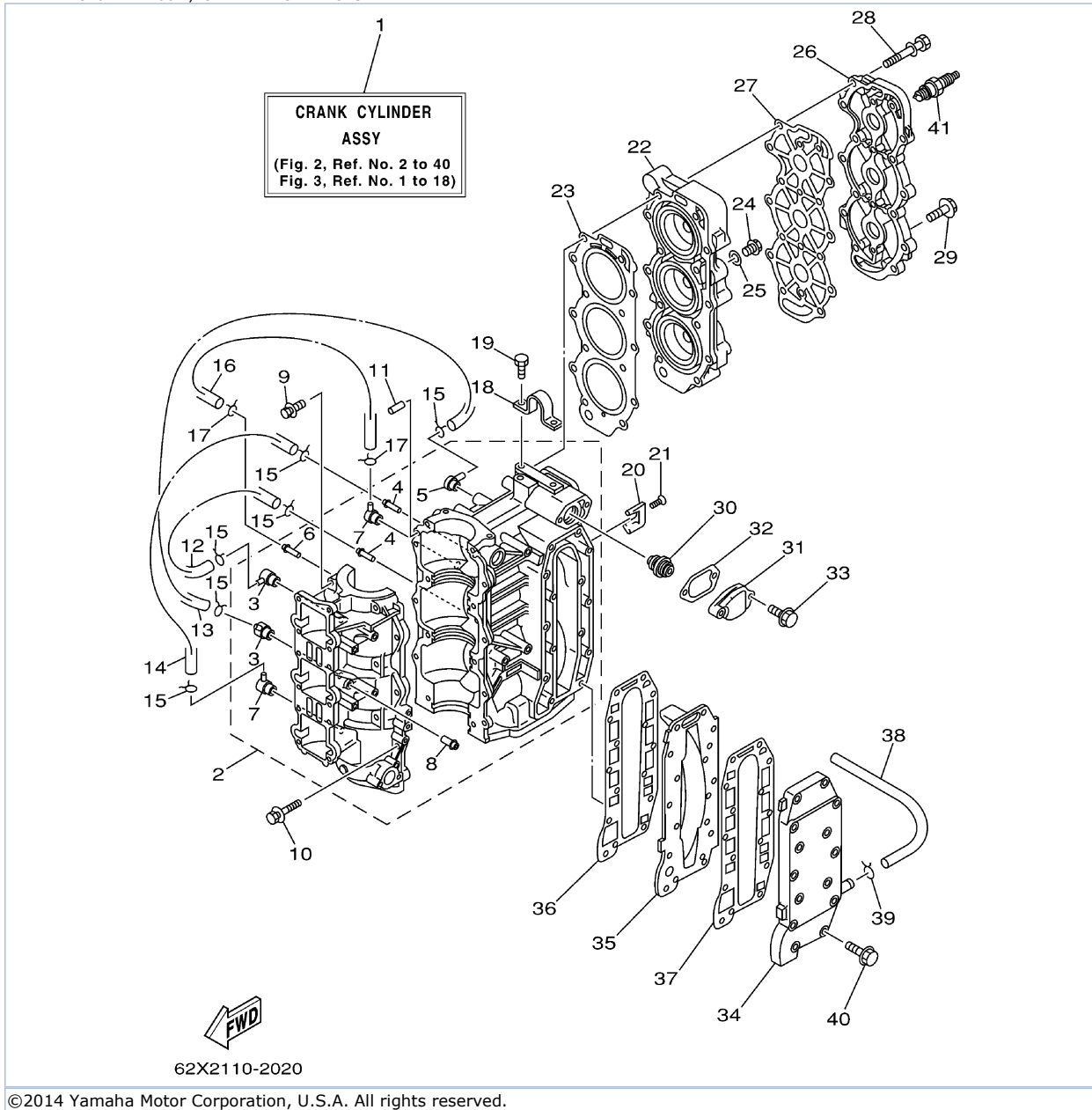
©2014 Yamaha Motor Corporation, U.S.A. All rights reserved.

Part List

C40TLRA 2002 / TOP COWLING

REF - NO	PART NUMBER	PART NAME	QUANTITY	REMARKS
1	63C-42610-50-4D	TOP COWLING ASSY	1	(C40)
2	6H4-42615-00-00	.SEAL	1	(C40)
3	6H4-42651-00-00	.HOOK	1	(C40)
4	6H4-42652-00-00	.HOOK	1	(C40)
5	90266-04M01-00	.RIVET	4	(C40)
6	6H4-42613-11-4D	.MOLDING, AIR DUCT	1	(C40)
7	90119-06M99-00	.BOLT, WITH WASHER	4	(C40)
8	63D-42677-30-00	.GRAPHIC, FRONT	1	(C40)
9	63D-42678-20-00	.GRAPHIC, REAR	1	(C40)
10	63D-W0070-20-00	.GRAPHIC SET	1	(C40)
11	63D-42681-20-00	.MARK, COWLING	1	(C40)
12	63D-42682-20-00	.MARK, COWLING	1	(C40)

C40TLRA 2002 / CYLINDER CRANKCASE

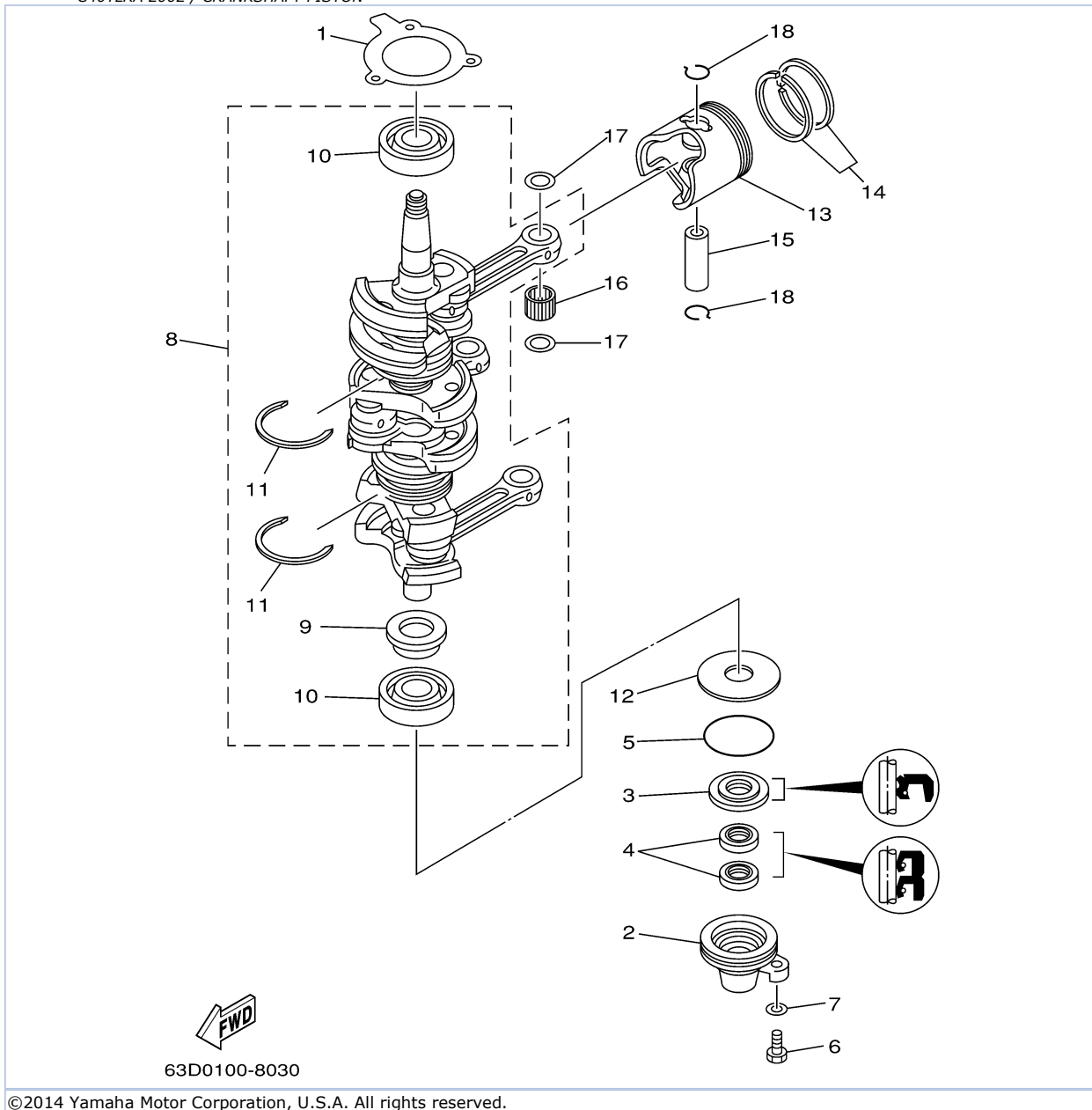


Part List

C40TLRA 2002 / CYLINDER CRANKCASE

REF - NO	PART NUMBER	PART NAME	QUANTITY	REMARKS
1	63D-W0090-21-1S	CRANK CYLINDER ASSY	1	E-N.O/I SPEC(C40)
2	6H4-15100-20-1S	CRANKCASE ASSY	1	E-N.O/I SPEC(C40)
3	650-11370-00-00	.CHECK VALVE ASSY	2	(C40)
4	624-14485-00-00	.PIPE, JOINT	2	(C40)
5	6H4-11372-00-00	.NIPPLE, HOSE	1	(C40)
6	624-14485-00-00	.PIPE, JOINT	1	(C40)
7	688-11370-00-00	.CHECK VALVE ASSY	2	(C40)
8	650-24378-00-00	.PIPE, JOINT 4	1	(C40)
9	90119-08019-00	BOLT, WITH WASHER	8	(C40)
10	90119-06M13-00	BOLT, WITH WASHER	6	(C40)
11	93606-12019-00	.PIN, DOWEL	2	(C40)
12	90445-07M46-00	HOSE (L360)	1	(C40)
13	90445-07M27-00	HOSE (L310)	1	(C40)
14	90445-07M24-00	HOSE (L240)	1	(C40)
15	90467-06016-00	CLIP	6	(C40)
16	90445-07MA3-00	HOSE (L200)	1	(C40)
17	90467-06016-00	CLIP	2	(C40)
18	6H4-11119-01-00	HANGER, ENGINE	1	(C40)
19	90101-06021-00	BOLT	2	(C40)
20	688-11325-00-00	ANODE	2	(C40)
21	98780-04016-00	SCREW, FLAT HEAD	2	(C40)
22	63D-11111-00-1S	HEAD, CYLINDER 1	1	(C40)
23	63D-11181-A1-00	.GASKET, CYLINDER HEAD 1	1	(C40)
24	90340-14M00-00	.PLUG, STRAIGHT SCREW	1	(C40)
25	90430-14115-00	.GASKET	1	(C40)
26	63D-11191-00-1S	COVER, CYLINDER HEAD 1	1	(C40)
27	63D-11193-A0-00	.GASKET, HEAD COVER 1	1	(C40)
28	90119-08015-00	BOLT, WITH WASHER	14	(C40)
29	90119-06MA3-00	BOLT, WITH WASHER	4	(C40)
30	6E5-12411-20-00	THERMOSTAT	1	(C40)
31	6H4-12413-00-1S	COVER, THERMOSTAT	1	(C40)
32	6J8-12414-A0-00	GASKET, COVER	1	(C40)
33	90119-06MA3-00	BOLT, WITH WASHER	2	(C40)
34	6H4-41113-00-1S	OUTER COVER, EXHAUST	1	(C40)
35	6H4-41111-00-1S	INNER COVER, EXHAUST	1	(C40)
36	6H4-41112-A0-00	.GASKET, EXHAUST INNER COVER	1	(C40)
37	6H4-41114-A0-00	GASKET, EXHAUST COVER	1	(C40)
38	90445-09M37-00	HOSE (L240)	1	(C40)
39	90467-08004-00	CLIP	1	(C40)
40	90119-06MA5-00	BOLT, WITH WASHER	14	(C40)
41	NGK-B7HS1-00-00	PLUG, SPARK (NGK B7HS- 10)	3	(C40)

C40TLRA 2002 / CRANKSHAFT PISTON



63D0100-8030

©2014 Yamaha Motor Corporation, U.S.A. All rights reserved.


Part List

C40TLRA 2002 / CRANKSHAFT PISTON

REF - NO	PART NUMBER	PART NAME	QUANTITY	REMARKS
1	6H4-15369-A1-00	GASKET, OIL SEAL HOUSING	1	(C40)
2	6H4-15396-03-5B	HOUSING, OIL SEAL	1	(C40)
3	93102-25M28-00	OIL SEAL	1	(C40)
4	93104-16M01-00	.OIL SEAL	2	(C40)
5	93210-58M21-00	.O-RING	1	(C40)
6	97095-06020-00	BOLT	1	(C40)
7	92995-06600-00	WASHER	1	(C40)
8	6H4-11400-04-00	CRANKSHAFT ASSY	1	(C40)
9	6H4-11445-00-00	.SPACER	1	(C40)
10	93306-305U8-00	.BEARING	2	(C40)
11	93440-62057-00	.CIRCLIP, OUTER	2	(C40)
12	90201-50306-00	WASHER, PLATE	1	(C40)
13	6H4-11635-01-00	PISTON (0.25MM O/S)	3	AP(C40)
13	6H4-11631-01-95	PISTON (STD)	3	(C40)
13	6H4-11636-01-00	PISTON (0.50MM O/S)	3	AP(C40)
14	63D-11605-00-00	PISTON RING SET (0.50MM O/S)	3	AP(C40)
14	63D-11604-00-00	PISTON RING SET (0.25MM O/S)	3	AP(C40)
14	63D-11603-00-00	PISTON RING SET (STD)	3	(C40)
15	648-11633-00-00	PIN, PISTON	3	(C40)
16	93602-20M02-00	PIN, DOWEL	93	(C40)
17	6H4-11641-00-00	WASHER, PISTON PIN	6	(C40)
18	6H4-11634-01-00	CLIP, PISTON PIN	6	(C40)

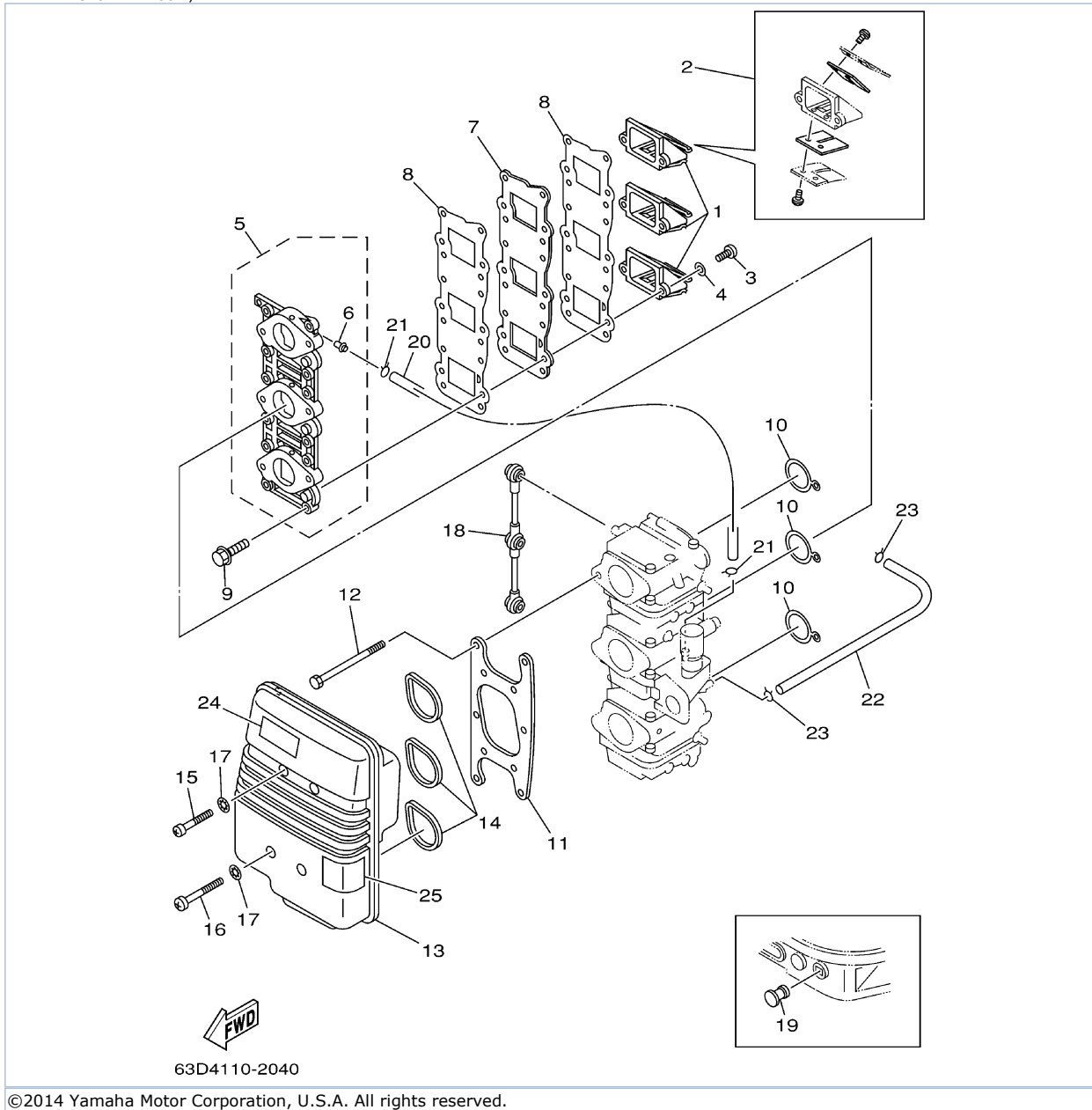
Part Notes

C40TLRA 2002 / CRANKSHAFT PISTON

PART NUMBER	NOTE TEXT
93602-20M02-00 	OEM: This part number is among the Top 100 Most Popular Marine Maintenance Parts as of March 2014.

©2014 Yamaha Motor Corporation, U.S.A. All rights reserved.

C40TLRA 2002 / INTAKE

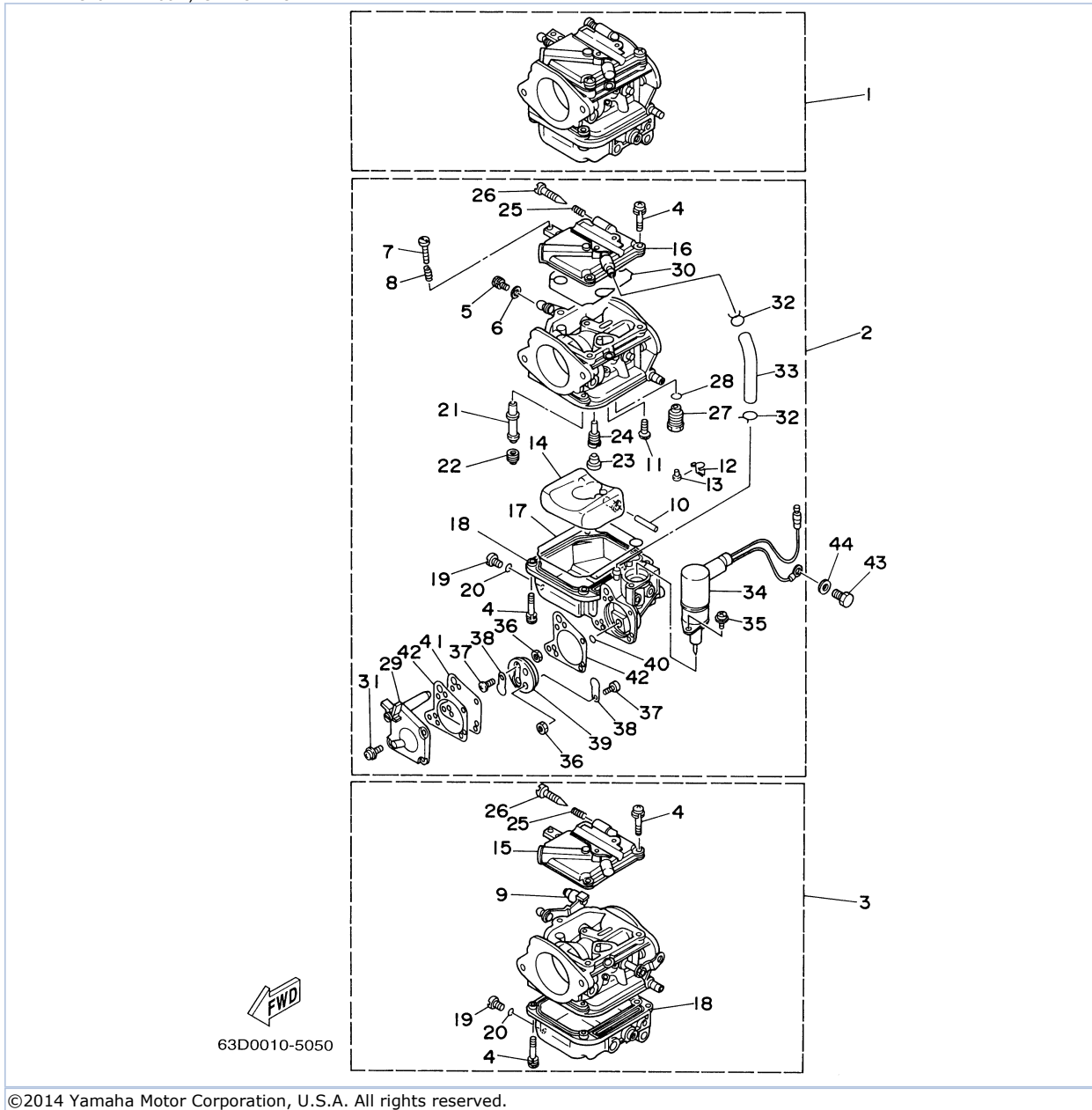


Part List

C40TLRA 2002 / INTAKE

REF - NO	PART NUMBER	PART NAME	QUANTITY	REMARKS
1	6H5-13610-00-00	REED VALVE ASSY	3	(C40)
2	6H4-W0004-00-00	.REED SET	1	(C40)
3	97880-05014-00	.SCREW, PAN HEAD	6	(C40)
4	92990-05600-00	WASHER, PLATE	6	(C40)
5	6H4-13641-02-94	MANIFOLD 1	1	(C40)
6	6H1-14485-00-00	.PIPE, JOINT	1	(C40)
7	6H4-13624-01-94	PLATE, REED VALVE	1	(C40)
8	6H4-13621-A1-00	GASKET, VALVE SEAT	2	(C40)
9	90119-06MA2-00	BOLT, WITH WASHER	12	(C40)
10	6H4-14198-01-00	.GASKET	3	(C40)
11	6H4-14406-00-00	HINGE	1	(C40)
12	97095-06095-00	BOLT	6	(C40)
13	6H4-14431-02-00	SILENCER, INTAKE 1	1	(C40)
14	6H3-14457-01-00	SEAL	3	(C40)
15	97885-06040-00	SCREW, PAN HEAD	2	(C40)
16	97885-06055-00	SCREW, PAN HEAD	2	(C40)
17	90209-06M05-00	WASHER	4	(C40)
18	6H4-41217-01-00	ROD, ACCEL. LEVER	1	(C40)
19	6G1-42748-00-00	GROMMET	1	(C40)
20	90445-07MA5-00	HOSE (L150)	1	(C40)
21	90467-06016-00	CLIP	2	(C40)
22	6H3-14349-00-00	.PIPE	1	(C40)
23	90467-08004-00	CLIP	2	(C40)
24	6A1-83625-41-00	MARK 5	1	(C40)
25	6H1-85711-60-00	MARK, CAUTION	1	(C40)

C40TLRA 2002 / CARBURETOR



©2014 Yamaha Motor Corporation, U.S.A. All rights reserved.


Part List

C40TLRA 2002 / CARBURETOR

REF - NO	PART NUMBER	PART NAME	QUANTITY	REMARKS
1	63D-14301-00-00	CARBURETOR ASSY 1	1	(C40)
2	63D-14302-00-00	CARBURETOR ASSY 2	1	(C40)
3	63D-14303-00-00	CARBURETOR ASSY 3	1	(C40)
4	97980-04114-00	.SCREW, WITH WASHER	21	(C40)
5	6K5-14592-00-00	.SCREW	3	(C40)
6	90201-05652-00	.WASHER, PLATE	3	(C40)
7	63V-14523-00-00	.SCREW, STOP	1	2(C40)
8	90501-10326-00	.SPRING, COMPRESSION	1	2(C40)
9	6H2-14578-00-00	.COLLAR	1	3(C40)
10	6H4-14548-00-00	.PIN, FLOAT ARM	3	(C40)
11	98580-04008-00	.SCREW, PAN HEAD	3	(C40)
12	663-14159-00-00	.CLIP	3	(C40)
13	676-14186-00-00	.PIN, FLOAT	3	(C40)
14	6H4-14985-01-00	.FLOAT	3	(C40)
15	6H4-14146-10-00	.PLATE	2	1,3(C40)
16	6H3-14146-10-00	.PLATE	1	2(C40)
17	6H4-14984-00-00	.GASKET, FLOAT CHAMBER	3	(C40)
18	6H3-14980-10-00	.BODY, FLOAT CHAMBER	1	UR 2(C40)
18	6H4-14980-00-00	.BODY, FLOAT CHAMBER	2	UR 1,3(C40)
19	6H3-14992-00-00	.SCREW, DRAIN	3	(C40)
20	93210-04230-00	.O-RING	3	(C40)
21	63D-14947-00-00	.JET, NEEDLE	3	(C40)
22	676-14943-30-00	.JET, MAIN (#115)	2	UR 1,3(C40)
22	63D-14943-81-00	.JET, MAIN (#118)	1	UR 2(C40)
23	676-14966-00-00	.CAP	3	(C40)
24	6H4-14948-11-00	.JET (#60)	3	(C40)
25	679-14555-00-00	.SPRING	3	(C40)
26	692-14923-00-00	.SCREW, PILOT	3	(C40)
27	6H4-14590-00-00	.NEEDLE VALVE ASSY	3	(C40)
28	93210-04228-00	.O-RING	3	(C40)
29	6H3-24452-10-00	.COVER	1	2(C40)
30	6H4-14147-00-00	.O-RING	3	(C40)
31	6H4-14567-00-00	.SCREW	4	2(C40)
32	6H3-14137-00-00	.CLIP	2	2(C40)
33	6H3-14349-00-00	.PIPE	1	2(C40)
34	63D-14380-00-00	.PRIME STARTER ASSY	1	2(C40)
35	97803-04010-00	.SCREW, PAN HEAD	2	2(C40)
36	95380-03600-00	.NUT	2	2(C40)
37	98980-03006-00	.SCREW, BIND	2	2(C40)
38	6L5-24421-00-00	.VALVE, CHECK	2	2(C40)
39	6H4-24413-00-00	.BODY 2	1	2(C40)
40	6H4-24486-00-00	.O-RING	1	2(C40)
41	6H3-24411-10-00	.DIAPHRAGM	1	2(C40)
42	6H3-24434-10-00	.GASKET, BODY	2	2(C40)
43	97013-06012-00	BOLT	1	(C40)
44	92903-06600-00	WASHER, PLATE	1	(C40)

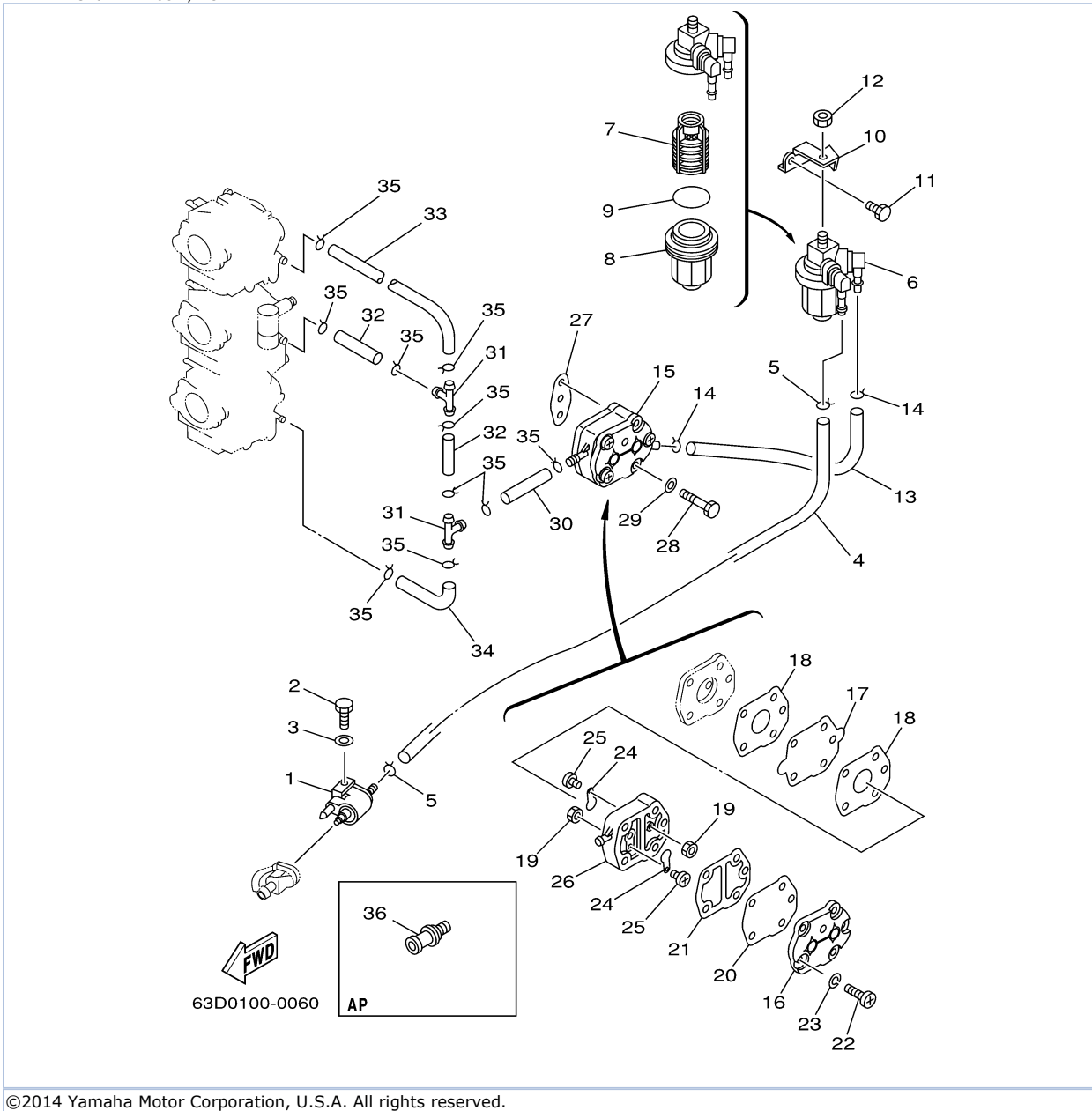
Part Notes

C40TLRA 2002 / CARBURETOR

PART NUMBER	NOTE TEXT
63D-14380-00-00	 OEM: The O-Ring for sealing this part to the carburetor body is not shown separately. The Part Number for the O-Ring is 93210-17001-00.

©2014 Yamaha Motor Corporation, U.S.A. All rights reserved.

C40TLRA 2002 / FUEL 1



©2014 Yamaha Motor Corporation, U.S.A. All rights reserved.



Part List

C40TLRA 2002 / FUEL 1

REF - NO	PART NUMBER	PART NAME	QUANTITY	REMARKS
1	6G1-24304-02-00	FUEL PIPE JOINT COMP. 1	1	(C40)
2	97095-06025-00	BOLT	1	(C40)
3	92995-06600-00	WASHER	1	(C40)
4	90445-09M37-00	HOSE (L240)	1	(C40)
5	90467-08004-00	CLIP	2	(C40)
6	61N-24560-00-00	FILTER ASSY	1	(C40)
7	61N-24563-00-00	.ELEMENT, FILTER	1	(C40)
8	61N-24521-00-00	.CUP, FILTER	1	(C40)
9	93210-32738-00	.O-RING	1	(C40)
10	6H4-24566-02-00	BRACKET, FILTER	1	(C40)
11	97013-06014-00	BOLT	1	(C40)
12	95380-08600-00	NUT	1	(C40)
13	6H4-24314-00-00	PIPE 4	1	(C40)
14	90467-08004-00	CLIP	2	(C40)
15	692-24410-00-00	FUEL PUMP ASSY	1	(C40)
16	6A0-24413-00-00	.BODY 2	1	(C40)
17	692-24411-00-00	.DIAPHRAGM	1	(C40)
18	648-24434-01-00	.GASKET, BODY	2	(C40)
19	95380-03600-00	.NUT	2	(C40)
20	663-24411-00-00	.DIAPHRAGM	1	(C40)
21	648-24435-02-00	.GASKET, BODY 2	1	(C40)
22	98503-05028-00	.SCREW, PAN HEAD	3	(C40)
23	92990-05100-00	.WASHER, SPRING	3	(C40)
24	6A0-24421-01-00	.VALVE, CHECK	2	(C40)
25	6A0-14325-00-00	.SCREW, PAN HEAD	2	(C40)
26	6A0-24412-02-00	.BODY 1	1	(C40)
27	650-24431-A0-00	GASKET, FUEL PUMP 1	1	(C40)
28	97095-06040-00	.BOLT	2	(C40)
29	92995-06600-00	WASHER	2	(C40)
30	90445-09063-00	HOSE (L80)	1	(C40)
31	688-24378-00-00	PIPE, JOINT 3	2	(C40)
32	90445-09057-00	HOSE (L43)	2	(C40)
33	6H4-24313-00-00	PIPE 3	1	(C40)
34	6H4-24312-00-00	PIPE 2	1	(C40)
35	90467-08004-00	CLIP	10	(C40)
36	6E0-28193-00-94	PLUG, WATER CHECK	1	AP D:12.5MM(C40)

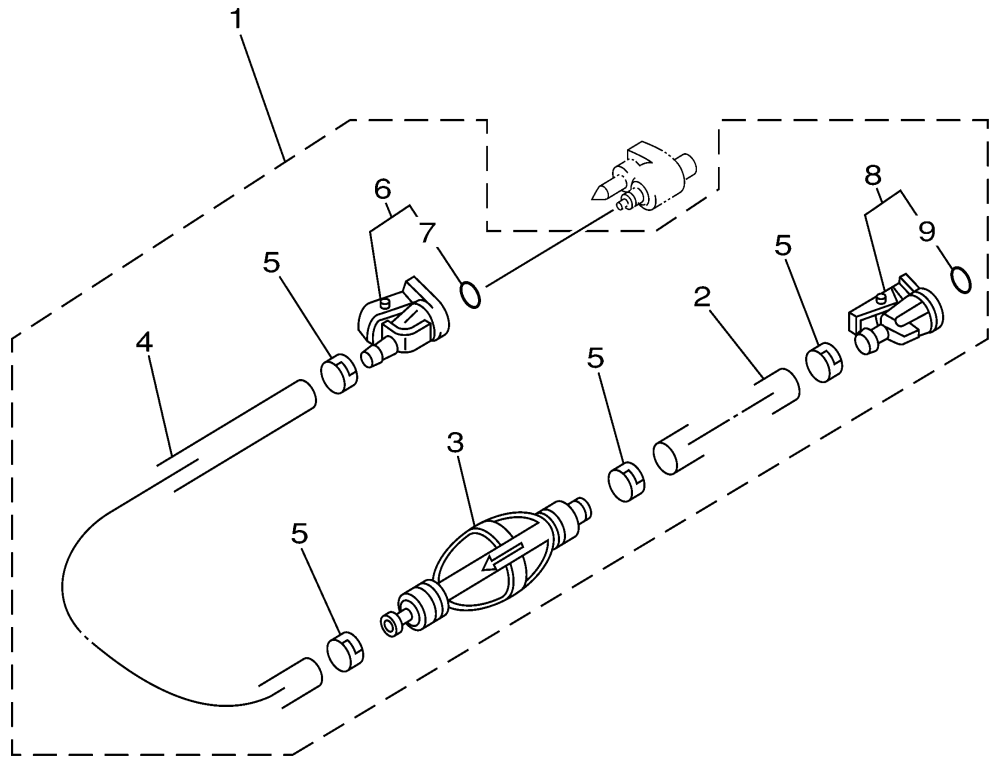
Part Notes

C40TLRA 2002 / FUEL 1

PART NUMBER	NOTE TEXT
692-24410-00-00 	OEM: This part number is among the Top 100 Most Popular Marine Maintenance Parts as of March 2014.
650-24431-A0-00 	OEM: This part number is among the Top 100 Most Popular Marine Maintenance Parts as of March 2014.

©2014 Yamaha Motor Corporation, U.S.A. All rights reserved.

C40TLRA 2002 / FUEL 2



67C0100-0100

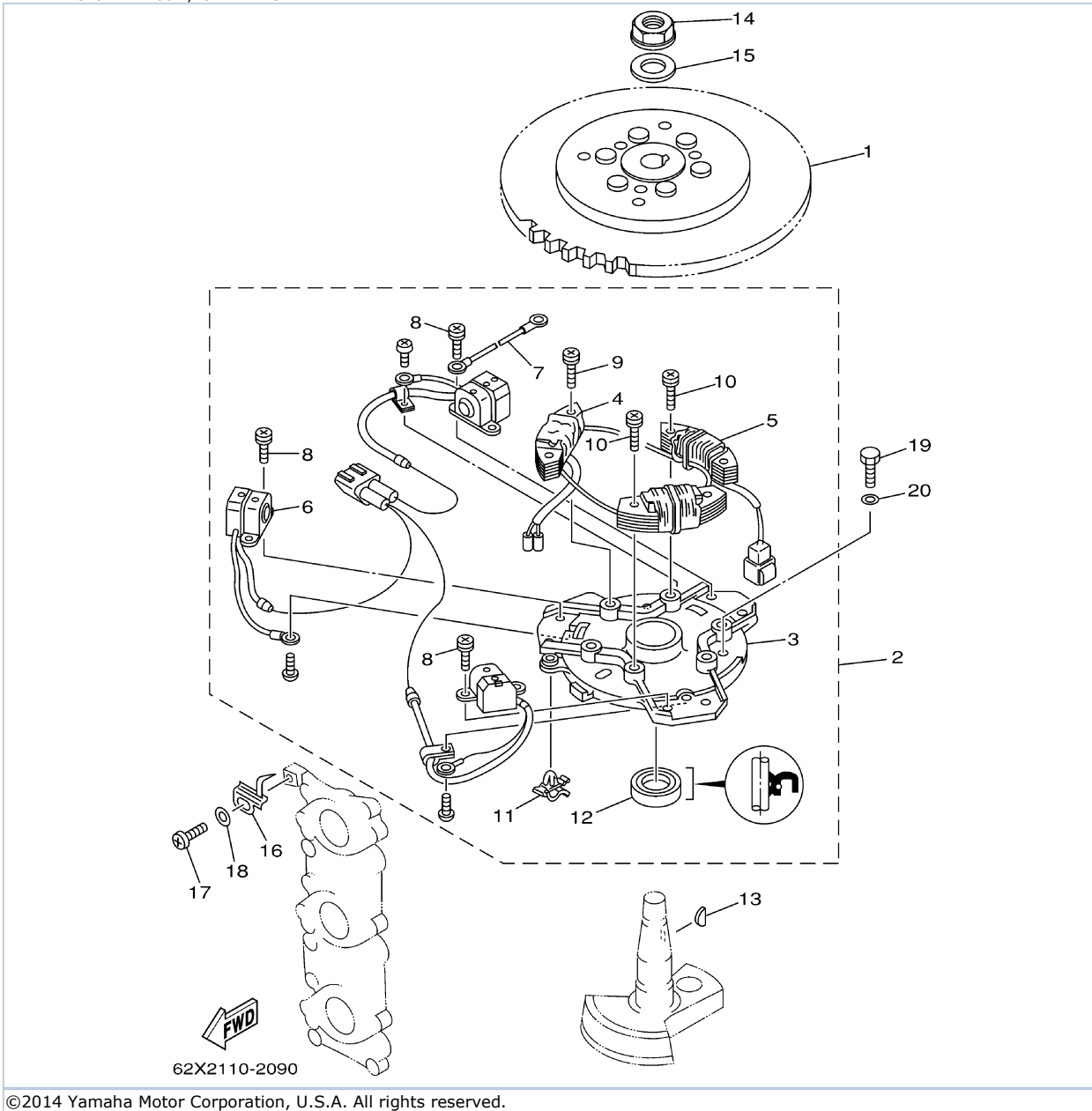
©2014 Yamaha Motor Corporation, U.S.A. All rights reserved.

Part List

C40TLRA 2002 / FUEL 2

REF - NO	PART NUMBER	PART NAME	QUANTITY	REMARKS
1	6Y1-24306-53-00	FUEL PIPE COMP. 1	1	AP(C40)
2	90445-11M06-00	.HOSE (L2050)	1	(C40)
3	6Y1-24360-52-00	.PRIMER PUMP ASSY	1	(C40)
4	90445-11M05-00	.HOSE (L850)	1	(C40)
5	650-24351-51-00	.BAND 1	4	(C40)
6	6G1-24305-03-00	.FUEL PIPE JOINT COMP 2	1	(C40)
7	93210-08287-00	..O-RING	1	(C40)
8	6Y1-24305-04-00	.FUEL PIPE JOINT COMP 2	1	(C40)
9	93210-08287-00	..O-RING	1	(C40)

C40TLRA 2002 / GENERATOR



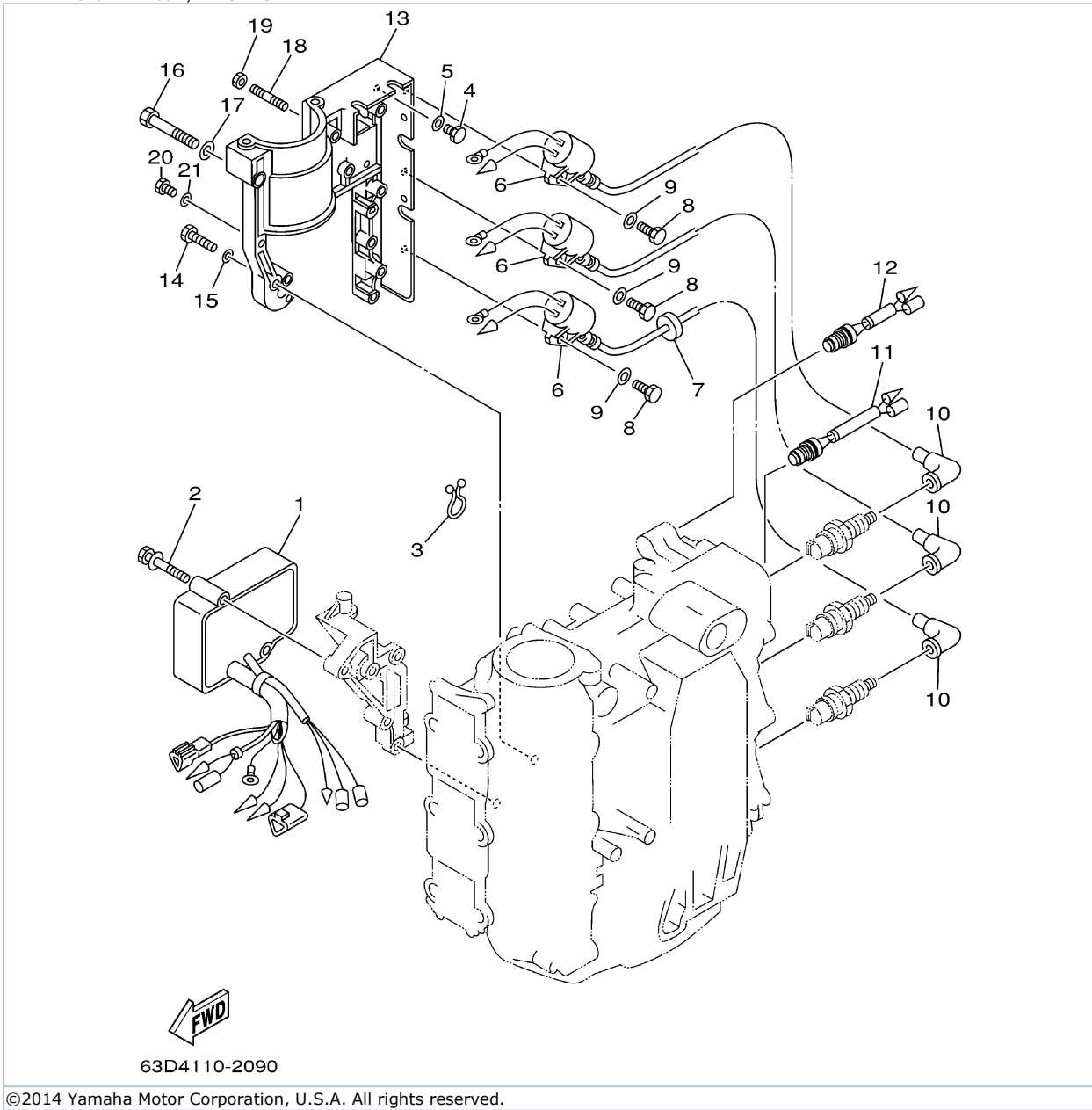
©2014 Yamaha Motor Corporation, U.S.A. All rights reserved.

Part List

C40TLRA 2002 / GENERATOR

REF - NO	PART NUMBER	PART NAME	QUANTITY	REMARKS
1	63D-85550-00-00	ROTOR ASSY	1	(C40)
2	63D-85560-10-00	BASE ASSY	1	(C40)
3	6H4-15359-04-94	.HOUSING, OIL SEAL	1	(C40)
4	63D-85520-00-00	.COIL, CHARGE	1	(C40)
5	63D-85533-10-00	.COIL, LIGHTING	1	(C40)
6	63D-85580-00-00	.COIL, PULSER	1	(C40)
7	6H4-83354-00-00	.WIRE, EARTH LEAD 1	1	(C40)
8	63D-81345-00-00	.SCREW, WITH WASHER (M5X12)	6	(C40)
9	63D-81345-10-00	.SCREW, WITH WASHER (M6X25)	2	(C40)
10	63D-81345-20-00	.SCREW, WITH WASHER (M6X30)	4	(C40)
11	90464-03M15-00	.CLAMP	1	(C40)
12	93102-23096-00	.OIL SEAL	1	(C40)
13	6H4-11545-00-00	KEY, WOODRUFF	1	(C40)
14	90179-16M05-00	NUT	1	(C40)
15	90201-16M44-00	WASHER, PLATE	1	(C40)
16	6H4-81332-00-00	PLATE, TIMING	1	(C40)
17	97885-05010-00	.SCREW, PAN HEAD	1	(C40)
18	92995-05600-00	WASHER	1	(C40)
19	97013-06018-00	BOLT	3	(C40)
20	92903-06600-00	WASHER, PLATE	3	(C40)

C40TLRA 2002 / ELECTRICAL 1



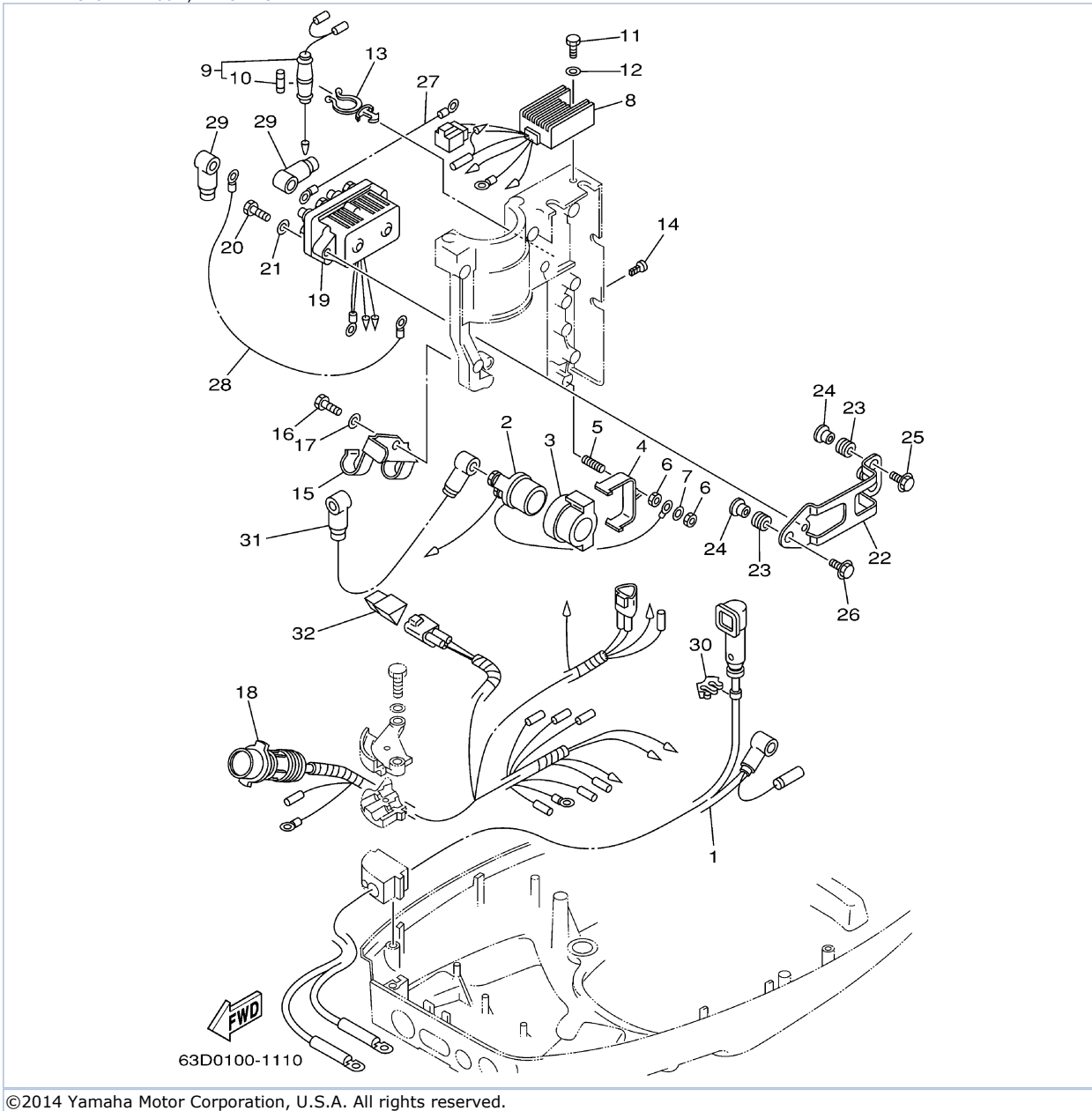
©2014 Yamaha Motor Corporation, U.S.A. All rights reserved.

Part List

C40TLRA 2002 / ELECTRICAL 1

REF - NO	PART NUMBER	PART NAME	QUANTITY	REMARKS
1	63D-85540-03-00	C.D.I. UNIT ASSY	1	(C40)
2	90119-06M51-00	BOLT, WITH WASHER	2	(C40)
3	90464-15M11-00	CLAMP	1	(C40)
4	97095-06014-00	BOLT	1	(C40)
5	92995-06600-00	WASHER	1	(C40)
6	6H5-85570-00-00	IGNITION COIL ASSY	3	(C40)
7	90480-25161-00	GROMMET	1	(C40)
8	97095-06020-00	BOLT	3	(C40)
9	92995-06600-00	WASHER	3	(C40)
10	663-82370-01-00	PLUG CAP ASSY	1	(C40)
11	689-82560-00-00	THERMO SWITCH ASSEMBLY	1	(C40)
12	6H4-82560-00-00	THERMO SWITCH ASSY	1	(C40)
13	6H4-81822-02-98	BRACKET, STARTING MOTOR	1	(C40)
14	97095-06030-00	BOLT	4	(C40)
15	92995-06600-00	WASHER	4	(C40)
16	97013-08050-00	BOLT	1	(C40)
17	92903-08600-00	WASHER, PLATE	1	(C40)
18	95670-06640-00	BOLT, STUD	1	(C40)
19	90179-06M24-00	NUT	1	(C40)
20	97095-06014-00	BOLT	2	(C40)
21	92995-06600-00	WASHER	2	(C40)

C40TLRA 2002 / ELECTRICAL 2



©2014 Yamaha Motor Corporation, U.S.A. All rights reserved.


Part List

C40TLRA 2002 / ELECTRICAL 2

REF - NO	PART NUMBER	PART NAME	QUANTITY	REMARKS
1	63D-82105-J0-00	BATTERY CABLE	1	(C40)
2	6G1-81941-10-00	STARTER RELAY ASSY	1	(C40)
3	6H4-81952-00-00	HOLDER, RELAY	1	(C40)
4	6H4-81945-00-00	PLATE, SWITCH FITTING	1	(C40)
5	90116-06M22-00	BOLT, STUD	1	(C40)
6	95380-06600-00	NUT, HEXAGON	2	(C40)
7	92990-06600-00	WASHER, PLATE	1	(C40)
8	6H2-81960-10-00	RECTIFIER & REGULATOR ASSY	1	(C40)
9	6H4-82150-00-00	FUSE HOLDER ASSY	1	(C40)
10	663-82151-00-00	.FUSE (12V-20A)	1	(C40)
11	97095-06014-00	BOLT	1	(C40)
12	92995-06600-00	WASHER	1	(C40)
13	90464-15M27-00	CLAMP	1	(C40)
14	90338-05M11-00	PLUG	2	(C40)
15	63D-82594-00-00	CLAMP	1	(C40)
16	97095-06012-00	BOLT	1	(C40)
17	92995-06600-00	WASHER	1	(C40)
18	63D-82590-20-00	WIRE HARNESS ASSY	1	(C40)
19	6H1-81950-00-00	RELAY ASSY	1	(C40)
20	97095-06025-00	BOLT	2	(C40)
21	92995-06600-00	WASHER	2	(C40)
22	6H4-81945-20-00	PLATE, SWITCH FITTING	1	(C40)
23	90480-13M24-00	GROMMET	3	(C40)
24	90387-06M05-00	COLLAR	3	(C40)
25	90105-06M15-00	BOLT, FLANGE	2	(C40)
26	90105-06M16-00	BOLT, FLANGE	1	(C40)
27	6H5-81949-00-00	WIRE, LEAD	1	(C40)
28	61A-81949-00-00	WIRE, LEAD	1	(C40)
29	682-82119-01-00	COVER, LEAD WIRE	4	(C40)
30	90464-07M20-00	CLAMP	1	(C40)
31	6H4-82117-00-00	WIRE, LEAD	1	(C40)
32	6N6-82582-00-00	COVER, WIRE HARNESS	1	(C40)

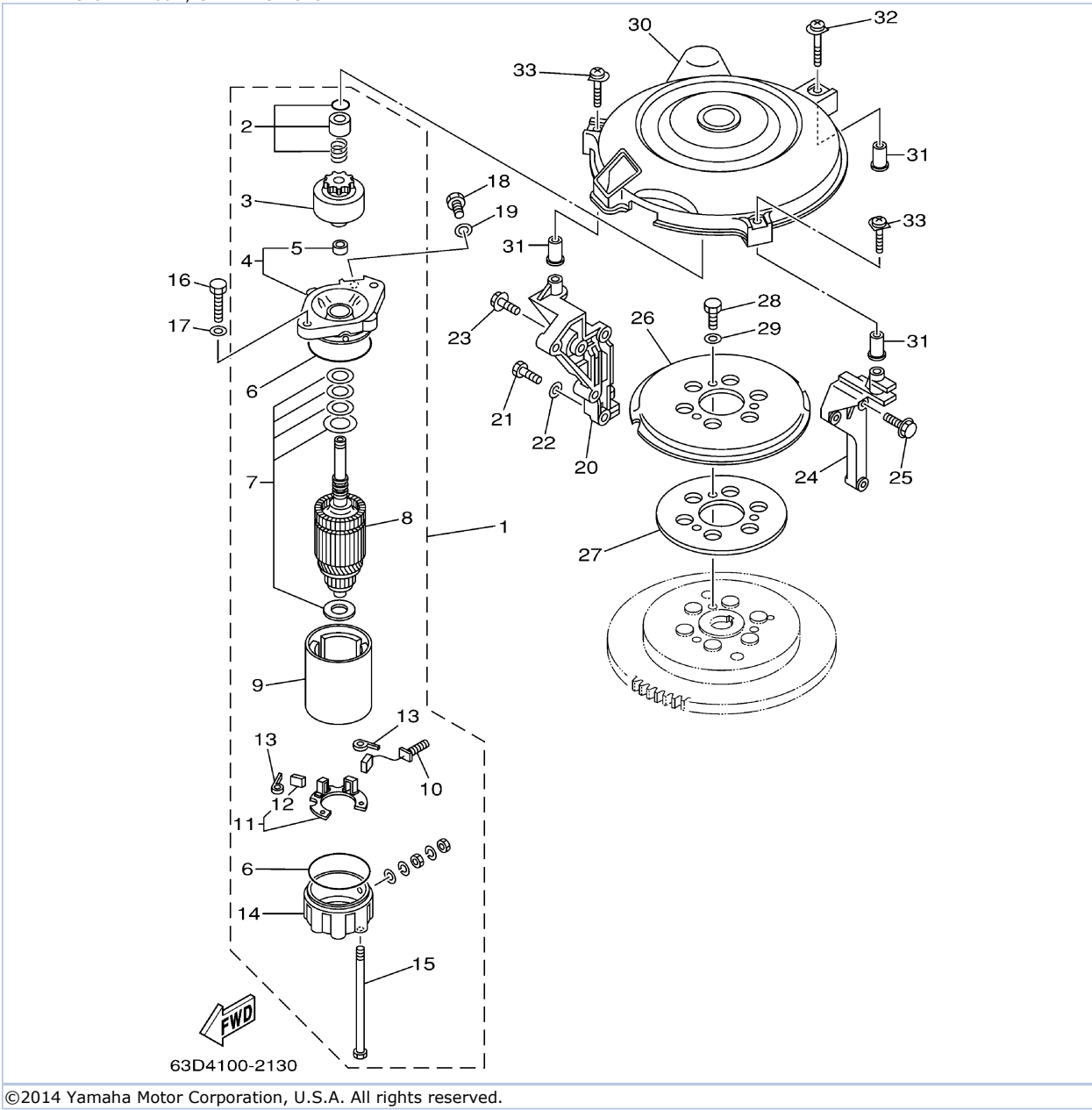
Part Notes

C40TLRA 2002 / ELECTRICAL 2

PART NUMBER	NOTE TEXT
92990-06600-00 	OEM: This part number is among the Top 100 Most Popular Marine Maintenance Parts as of March 2014.

©2014 Yamaha Motor Corporation, U.S.A. All rights reserved.

C40TLRA 2002 / STARTING MOTOR



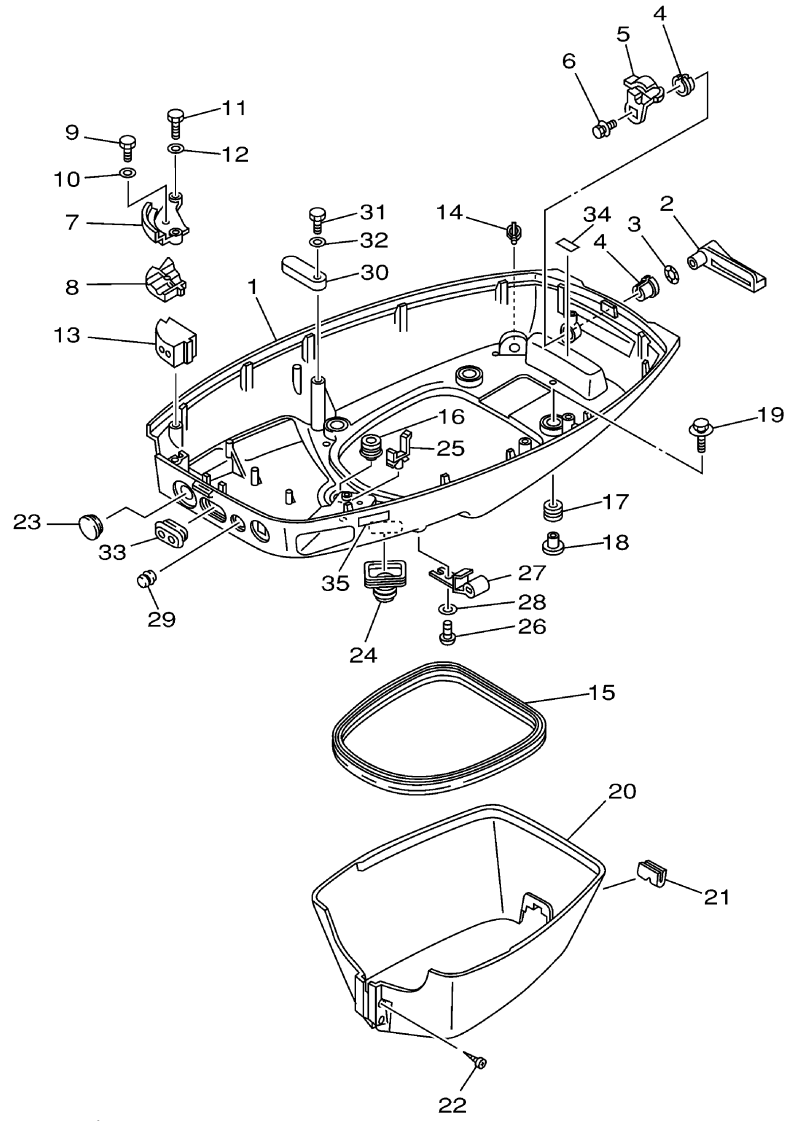
©2014 Yamaha Motor Corporation, U.S.A. All rights reserved.

Part List

C40TLRA 2002 / STARTING MOTOR

REF - NO	PART NUMBER	PART NAME	QUANTITY	REMARKS
1	6F5-81800-11-00	STARTING MOTOR ASSY	1	(C40)
2	689-81857-11-00	.PINION STOPPER SET	1	(C40)
3	689-81807-12-00	.GEAR ASSY, STARTING MOTOR	1	(C40)
4	6F5-81830-11-00	.FRONT BRACKET ASSY	1	(C40)
5	689-81831-00-00	..METAL, FRONT	1	(C40)
6	689-81847-11-00	.O-RING	2	(C40)
7	689-81809-11-00	.WASHER KIT	1	(C40)
8	689-81850-12-00	.ARMATURE ASSY	1	(C40)
9	689-81810-11-00	.STATOR ASSY	1	(C40)
10	689-81811-11-00	.BRUSH 1	1	(C40)
11	689-81840-11-00	.BRUSH HOLDER ASSY	1	(C40)
12	689-81812-11-00	..BRUSH 2	1	(C40)
13	689-81813-10-00	.SPRING, BRUSH	2	(C40)
14	689-81820-11-00	.REAR BRACKET ASSY	1	(C40)
15	689-81826-10-00	.BOLT	2	(C40)
16	97013-08030-00	BOLT	2	(C40)
17	92903-08600-00	WASHER, PLATE	2	(C40)
18	97013-08016-00	BOLT	1	(C40)
19	92903-08600-00	WASHER, PLATE	1	(C40)
20	63D-15771-00-4D	STAY 1	1	(C40)
21	97013-08025-00	BOLT	2	(C40)
22	92903-08600-00	WASHER, PLATE	2	(C40)
23	90119-06MA2-00	BOLT, WITH WASHER	1	(C40)
24	6H4-15772-02-94	STAY 2	1	(C40)
25	90119-06MA3-00	BOLT, WITH WASHER	3	(C40)
26	6J8-15723-E1-00	PULLEY, STARTER	1	(C40)
27	6J8-81365-A0-00	GASKET, HOLE COVER	1	(C40)
28	97013-08014-00	BOLT	3	(C40)
29	92903-08600-00	WASHER, PLATE	3	(C40)
30	6H4-81337-01-00	COVER, FLYWHEEL	1	(C40)
31	90387-06M65-00	COLLAR	3	(C40)
32	90159-06M21-00	SCREW, WITH WASHER	1	(C40)
33	90159-06M22-00	SCREW, WITH WASHER	2	(C40)

C40TLRA 2002 / BOTTOM COWLING



63D4110-2120

©2014 Yamaha Motor Corporation, U.S.A. All rights reserved.


Part List

C40TLRA 2002 / BOTTOM COWLING

REF - NO	PART NUMBER	PART NAME	QUANTITY	REMARKS
1	6H4-42711-07-4D	COWLING, BOTTOM	1	(C40)
2	6H4-42815-00-00	LEVER, CLAMP	1	(C40)
3	90206-12052-00	WASHER, WAVE	1	(C40)
4	90386-12069-00	BUSH	2	(C40)
5	6H4-42816-00-00	LEVER, CLAMP	1	(C40)
6	90119-06M73-00	BOLT, WITH WASHER	1	(C40)
7	6H4-48531-11-94	BRACKET, REMOTE CONTROL 1	1	(C40)
8	6H4-48532-11-94	BRACKET, REMOTE CONTROL 2	1	(C40)
9	97095-05016-00	.BOLT	1	(C40)
10	92995-05600-00	WASHER	1	(C40)
11	97095-06020-00	BOLT	2	(C40)
12	92995-06600-00	WASHER	2	(C40)
13	6H4-42724-20-00	GROMMET	1	(C40)
14	6E5-44391-00-00	NIPPLE, HOSE	1	(C40)
15	6H4-42716-00-00	RUBBER, SEAL 1	1	(C40)
16	6E5-42724-00-00	GROMMET	1	(C40)
17	90480-09M21-00	GROMMET	4	(C40)
18	90387-06M41-00	COLLAR	4	(C40)
19	90119-06M61-00	BOLT, WITH WASHER	4	(C40)
20	63D-42741-00-4D	APRON	1	(C40)
21	63D-42717-00-00	RUBBER, SEAL 2	1	(C40)
22	97780-60525-00	SCREW, TAPPING	2	(C40)
23	676-42726-00-00	GROMMET	1	(C40)
24	688-42726-10-00	GROMMET	1	(C40)
25	90464-09M13-00	CLAMP	1	(C40)
26	90157-06M01-00	SCREW, PAN HEAD	1	(C40)
27	6E5-24367-01-00	CLAMP, FUEL PIPE 2	1	(C40)
28	92990-06600-00	WASHER, PLATE	1	(C40)
29	6H4-42725-00-00	GROMMET	1	(C40)
30	6E5-82588-00-00	PLATE	1	(C40)
31	97095-06020-00	BOLT	1	(C40)
32	92995-06600-00	WASHER	1	(C40)
33	6H3-42727-00-00	GROMMET	1	(C40)
34	6E7-42791-00-00	MARK 1	1	(C40)
35	6R6-42791-40-00	MARK 1	1	(C40)

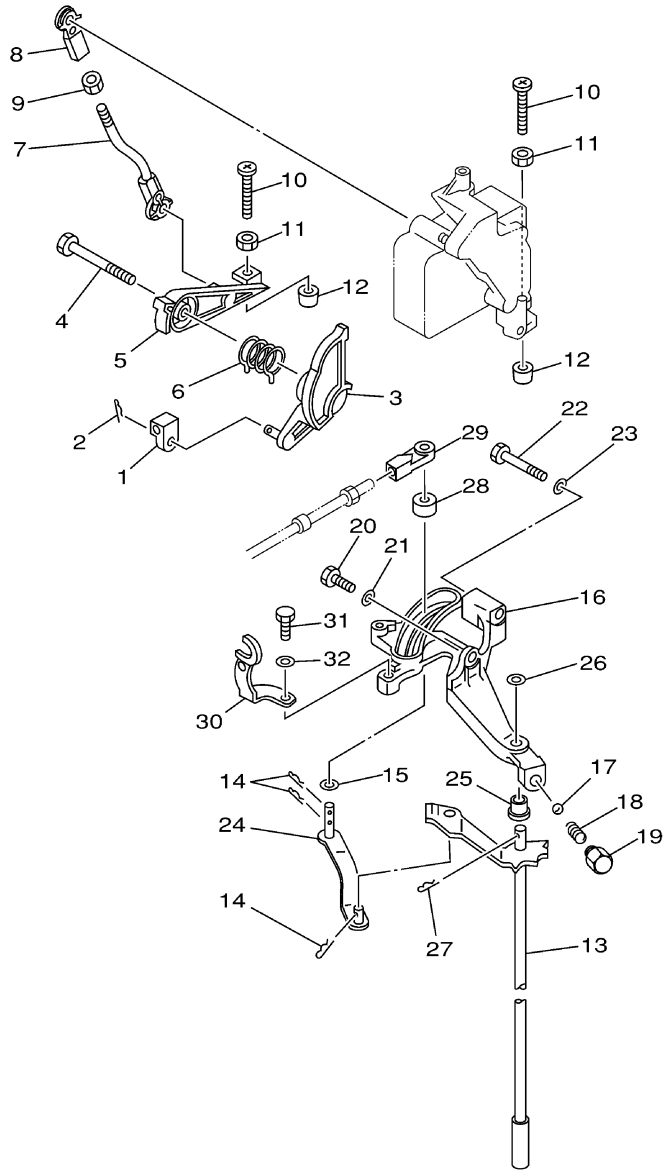
Part Notes

C40TLRA 2002 / BOTTOM COWLING

PART NUMBER	NOTE TEXT
92990-06600-00 	OEM: This part number is among the Top 100 Most Popular Marine Maintenance Parts as of March 2014.

©2014 Yamaha Motor Corporation, U.S.A. All rights reserved.

C40TLRA 2002 / CONTROL



62X2110-2140

©2014 Yamaha Motor Corporation, U.S.A. All rights reserved.



Part List

C40TLRA 2002 / CONTROL

REF - NO	PART NUMBER	PART NAME	QUANTITY	REMARKS
1	6H4-48344-00-00	CABLE END, REMOTE CONTROL	1	(C40)
2	90468-18008-00	CLIP	1	(C40)
3	63D-41213-00-00	CAM, ACCEL.	1	(C40)
4	90109-06M43-00	BOLT	1	(C40)
5	63D-41632-00-00	LEVER, MAGNETO CONTROL	1	(C40)
6	90508-26M35-00	SPRING, TORSION	1	(C40)
7	63D-41636-00-00	ROD, MAGNETO CONTROL	1	(C40)
8	6H4-41237-00-00	JOINT, LINK	1	(C40)
9	95380-05600-00	NUT	1	(C40)
10	90157-06M13-00	SCREW, PAN HEAD	2	(C40)
11	95303-06600-00	.NUT	2	(C40)
12	688-44194-00-00	CAP	2	(C40)
13	63D-44120-10-00	HANDLE GEAR SHIFT ASSY	1	L(C40)
14	90468-18008-00	CLIP	3	(C40)
15	90202-07M07-00	WASHER, PLATE	1	(C40)
16	63D-44117-00-00	BRACKET	1	(C40)
17	93501-04M02-00	BALL	1	(C40)
18	90501-12082-00	SPRING, COMPRESSION	1	(C40)
19	648-42715-00-00	BUSHING	1	(C40)
20	97013-06020-00	BOLT	1	(C40)
21	92903-06600-00	WASHER, PLATE	1	(C40)
22	97013-06045-00	BOLT	1	(C40)
23	92903-06600-00	WASHER, PLATE	1	(C40)
24	63D-44121-00-00	LEVER, SHIFT ROD	1	(C40)
25	90386-07M58-00	BUSH	1	(C40)
26	92990-08200-00	WASHER, PLAIN	1	(C40)
27	91490-20012-00	PIN. COTTER	1	(C40)
28	688-44122-00-00	BUSHING, SHIFT ROD LEVER	1	(C40)
29	663-48344-00-00	.CABLE END, REMOTE CONTROL	1	(C40)
30	63D-15774-00-00	STAY 4	1	(C40)
31	97095-06016-00	BOLT	1	(C40)
32	92995-06600-00	WASHER	1	(C40)

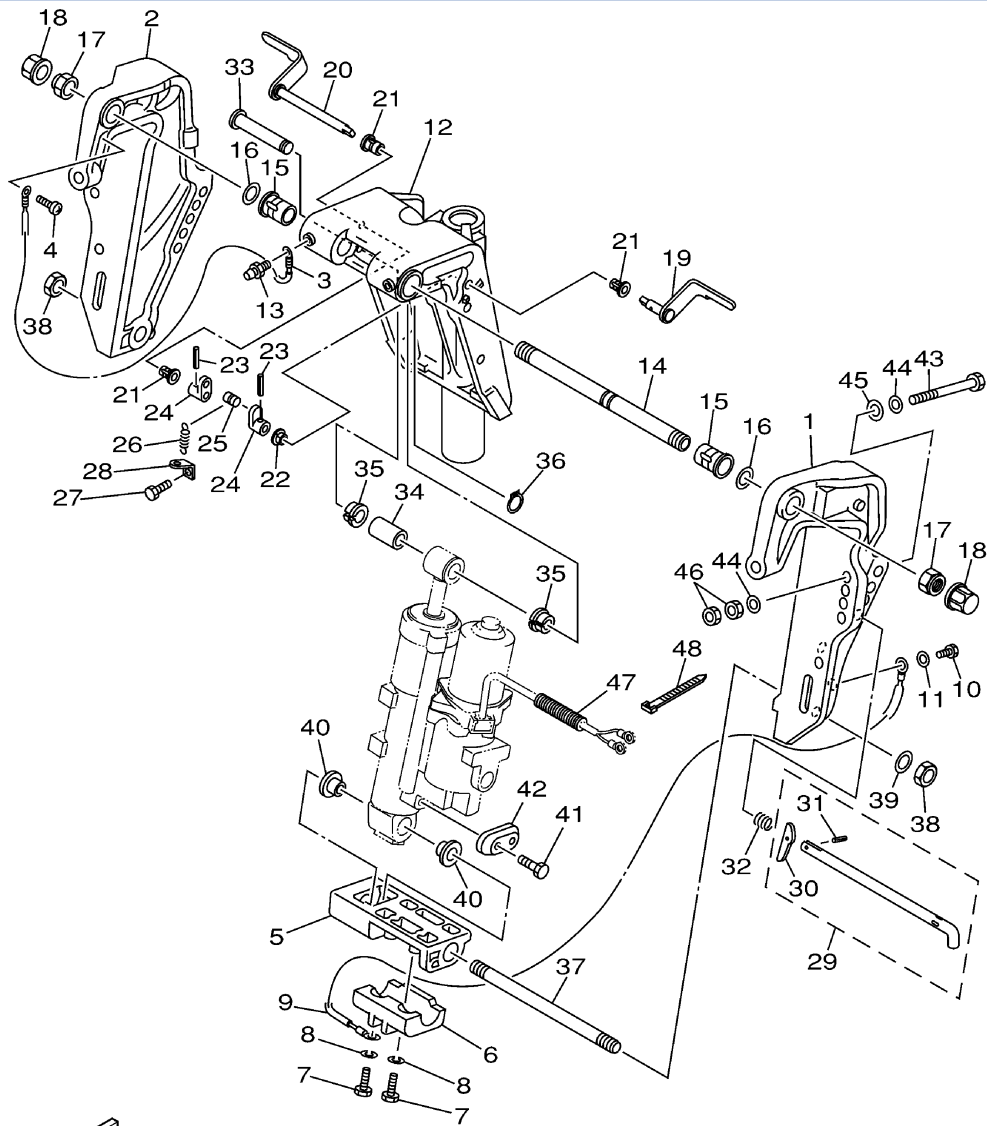
Part Notes

C40TLRA 2002 / CONTROL

PART NUMBER	NOTE TEXT
90468-18008-00 	OEM: This part number is among the Top 100 Most Popular Marine Maintenance Parts as of March 2014.
90468-18008-00 	OEM: This part number is among the Top 100 Most Popular Marine Maintenance Parts as of March 2014.

©2014 Yamaha Motor Corporation, U.S.A. All rights reserved.

C40TLRA 2002 / BRACKET 1



63D0100-1171

©2014 Yamaha Motor Corporation, U.S.A. All rights reserved.


Part List

C40TLRA 2002 / BRACKET 1

REF - NO	PART NUMBER	PART NAME	QUANTITY	REMARKS
1	63D-43111-01-4D	BRACKET, CLAMP 1	1	(C40)
2	63D-43112-01-4D	BRACKET, CLAMP 2	1	(C40)
3	63D-82148-00-00	WIRE, LEAD 4	1	(C40)
4	97885-06008-00	SCREW, PAN HEAD	1	(C40)
5	63D-43128-01-4D	SPACER, CLAMP BRACKET	1	(C40)
6	63D-45251-00-00	ANODE	1	(C40)
7	97095-06025-00	BOLT	2	(C40)
8	92995-06100-00	WASHER, SPRING	2	(C40)
9	6H1-82148-00-00	WIRE, LEAD 4	1	(C40)
10	97095-06010-00	BOLT	1	(C40)
11	92995-06600-00	WASHER	1	(C40)
12	63D-43311-13-4D	BRACKET, SWIVEL 1	1	(C40)
13	93700-06M03-00	NIPPLE, GREASE	3	(C40)
14	63D-43131-01-00	BOLT, CLAMP BRACKET	1	(C40)
15	90386-22M15-00	BUSH	2	(C40)
16	90201-22M03-00	WASHER, PLATE	2	(C40)
17	90185-22M11-00	NUT, SELF-LOCKING	2	(C40)
18	6G5-43145-01-00	CAP, CLAMP BRACKET	2	(C40)
19	6H5-43181-03-00	LEVER, TILT STOP	1	(C40)
20	6H5-43185-03-00	LEVER, TILT STOP	1	(C40)
21	90386-10M16-00	BUSH	3	(C40)
22	90386-10025-00	.BUSH	1	(C40)
23	91690-30020-00	PIN, SPRING	2	(C40)
24	6G5-43148-00-00	COLLAR, DISTANCE	2	(C40)
25	90249-06M19-00	PIN	1	(C40)
26	90506-14M24-00	SPRING, TENSION	1	(C40)
27	97095-06010-00	BOLT	1	(C40)
28	6G5-43144-00-00	HOOK, SPRING	1	(C40)
29	688-43160-01-00	TILT ROD ASSY	1	(C40)
30	688-43165-00-00	.PLATE, TILT LOCK	1	(C40)
31	91690-30012-00	.PIN, SPRING	1	(C40)
32	90502-16M02-00	SPRING, CONICAL	1	(C40)
33	6E5-43126-02-00	PIN, UPPER SHOCK MOUNT	1	(C40)
34	90386-18M92-00	BUSH	1	(C40)
35	90386-18M35-00	BUSH	2	(C40)
36	93410-18M02-00	CIRCLIP	1	(C40)
37	90116-18M52-00	BOLT, STUD	1	(C40)
38	90170-18M10-00	NUT	2	(C40)
39	92995-18600-00	WASHER	1	(C40)
40	90386-18M44-00	BUSH	2	(C40)
41	90101-06020-00	BOLT	2	(C40)
42	65W-45251-00-00	ANODE	1	(C40)
43	90101-12M65-00	BOLT	4	(C40)
44	92995-12200-00	WASHER	8	(C40)
45	90201-12426-00	WASHER, PLATE	4	(C40)
46	95380-12600-00	NUT	8	(C40)
47	90440-14M00-00	PIPE	1	(C40)
48	90465-11M10-00	CLAMP	3	(C40)

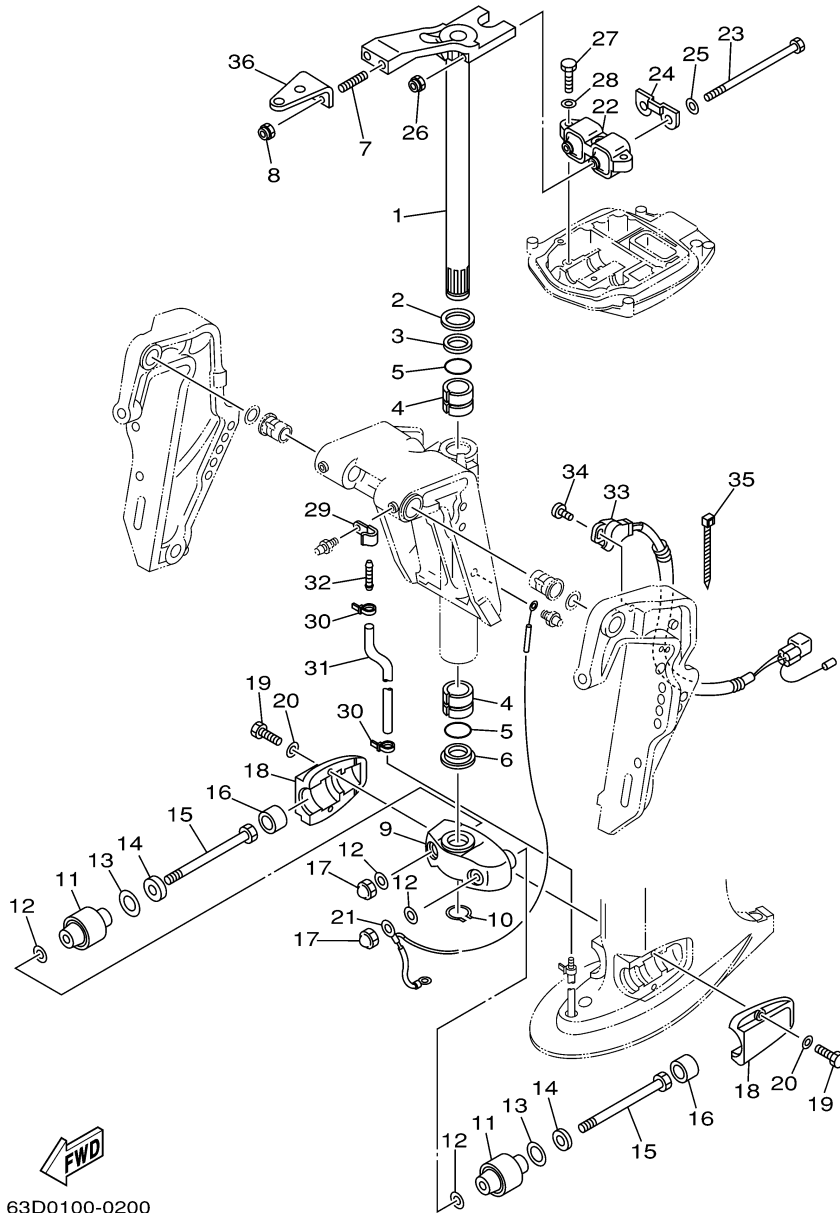
Part Notes

C40TLRA 2002 / BRACKET 1

PART NUMBER	NOTE TEXT
65W-45251-00-00 	OEM: This part number is among the Top 100 Most Popular Marine Maintenance Parts as of March 2014.

©2014 Yamaha Motor Corporation, U.S.A. All rights reserved.

C40TLRA 2002 / BRACKET 2



63D0100-0200

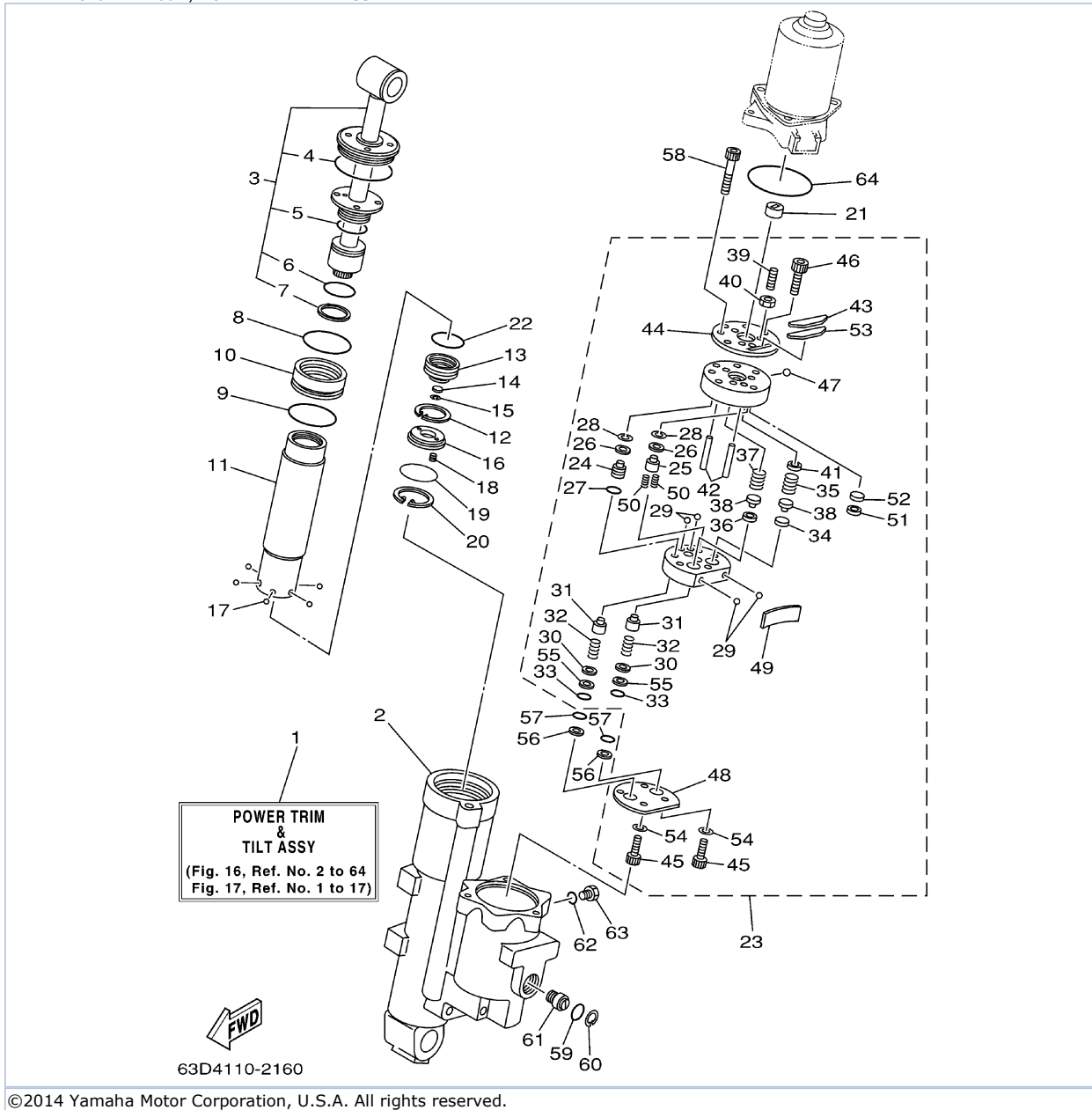
©2014 Yamaha Motor Corporation, U.S.A. All rights reserved.

Part List

C40TLRA 2002 / BRACKET 2

REF - NO	PART NUMBER	PART NAME	QUANTITY	REMARKS
1	63D-42510-11-4D	STEERING BRACKET ASSY	1	L(C40)
2	90201-30M00-00	WASHER, PLATE	1	(C40)
3	90386-30M78-00	BUSH	1	(C40)
4	90386-30M77-00	BUSH	2	(C40)
5	93210-29M94-00	O-RING	2	(C40)
6	90386-30M60-00	BUSH	1	(C40)
7	90116-10175-00	BOLT, STUD	2	(C40)
8	90185-10051-00	NUT, SELF-LOCKING	2	(C40)
9	63D-44551-01-4D	HOUSING, LOWER MOUNT RUBBER	1	(C40)
10	93410-28M06-00	CIRCLIP	1	(C40)
11	63D-44555-00-94	MOUNT DAMPER, LOWER SIDE	2	L(C40)
12	90201-12M16-00	WASHER, PLATE	4	(C40)
13	90202-25M04-00	WASHER, PLATE	2	(C40)
14	90201-13M19-00	WASHER, PLATE	2	(C40)
15	90109-12M21-00	BOLT	2	(C40)
16	663-44575-00-00	DAMPER, LOWER MOUNT RUBBER	2	(C40)
17	95380-12800-00	NUT, CROWN	2	(C40)
18	63D-44552-01-4D	HOUSING, LOWER MOUNT RUBBER 2	2	(C40)
19	97075-08030-00	BOLT	4	(C40)
20	92995-08100-00	WASHER	4	(C40)
21	63D-82127-10-00	WIRE, LEAD 2	1	L(C40)
22	63D-44514-01-94	MOUNT DAMPER, UPPER SIDE	1	(C40)
23	90101-08M15-00	BOLT	2	(C40)
24	63D-44526-00-00	PLATE	1	(C40)
25	90201-09425-00	WASHER, PLATE	2	(C40)
26	90185-08045-00	NUT, SELF-LOCKING	2	(C40)
27	97075-08030-00	BOLT	3	(C40)
28	92995-08100-00	WASHER	3	(C40)
29	90465-06M86-00	.CLAMP	1	(C40)
30	90465-11M10-00	CLAMP	2	(C40)
31	90445-07MF1-00	HOSE (L570)	1	(C40)
32	6E5-83558-00-00	END, NIPPLE	1	(C40)
33	63D-83672-01-00	TRIM SENDER	1	(C40)
34	97885-06016-00	SCREW, PAN HEAD	2	(C40)
35	90465-13M11-00	CLAMP	1	(C40)
36	63D-48511-00-4D	HOOK, STEERING	1	STEERING GUIDE TYPE(C40)

C40TLRA 2002 / POWER TRIM TILT ASSY 1



1
POWER TRIM & TILT ASSY
(Fig. 16, Ref. No. 2 to 64
Fig. 17, Ref. No. 1 to 17)



63D4110-2160

©2014 Yamaha Motor Corporation, U.S.A. All rights reserved.

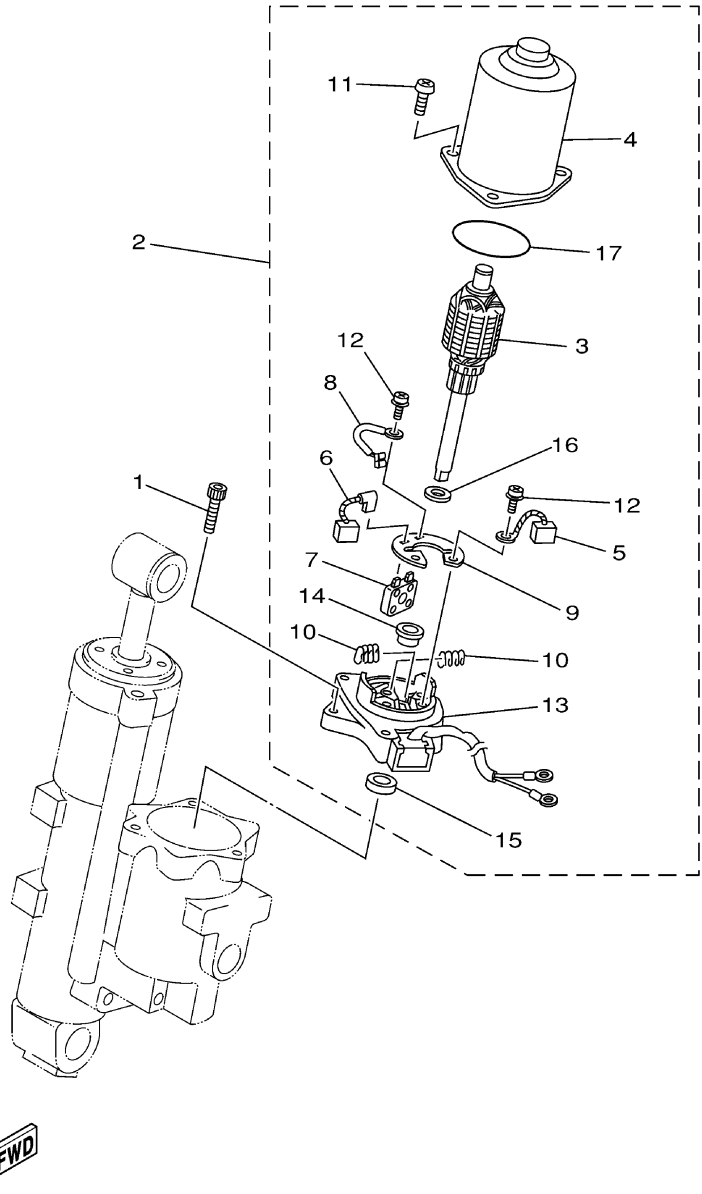
Part List

C40TLRA 2002 / POWER TRIM TILT ASSY 1

REF - NO	PART NUMBER	PART NAME	QUANTITY	REMARKS
1	62Y-43800-00-4D	POWER TRIM & TILT ASSY	1	(C40)
2	CS3-4380K-00-00	CYLINDER, TILT SUB ASSY	1	(C40)
3	62X-43810-01-00	TILT PISTON SUB ASSY	1	(C40)
4	62X-43861-00-00	.O-RING	1	(C40)
5	62X-43862-00-00	.O-RING	1	(C40)
6	93210-29375-00	.O-RING	1	(C40)
7	62X-43871-00-00	.RING, BACK UP	1	(C40)
8	93210-44383-00	O-RING	1	(C40)
9	93210-48214-00	.O-RING	1	(C40)
10	62X-4388A-00-00	PISTON, TRIM	1	(C40)
11	CS3-22471-00-00	CYLINDER, SHOCK ABSORBER	1	(C40)
12	67F-43875-00-00	RING, SNAP	1	(C40)
13	CS3-43814-00-00	PISTON, FREE	1	(C40)
14	6H1-4384G-11-00	.SEAL, RELIEF VALVE	1	(C40)
15	61A-43875-00-00	.RING, SNAP	1	(C40)
16	62X-43899-00-00	PLATE STOPPER	1	(C40)
17	93503-16003-00	BALL	6	(C40)
18	62X-4384H-00-00	SPRING	2	(C40)
19	1UF-22434-00-00	PLATE, VALVE 1	1	(C40)
20	62X-43875-00-00	RING, SNAP	1	(C40)
21	6H1-43831-10-00	CONNECTOR, SHAFT	1	(C40)
22	93210-29375-00	.O-RING	1	(C40)
23	CS3-43830-00-00	GEAR PUMP ASSY	1	(C40)
24	69A-43841-00-00	.PISTON, SHUTTLE	1	(C40)
25	69A-4384M-00-00	.PISTON, SHUTTLE 2	1	(C40)
26	69A-4384F-00-00	.SEAL, MAIN VALVE	2	(C40)
27	6H1-43883-00-00	.O-RING	1	(C40)
28	99001-03600-00	.CIRCLIP	2	(C40)
29	93505-32038-00	.BALL	4	(C40)
30	CS3-4388F-00-00	.SPACER	2	(C40)
31	6T4-43808-00-00	.SEAT VALVE COMP 1	2	(C40)
32	CS3-43853-00-00	.SPRING, MAIN VALVE	2	(C40)
33	93210-06001-00	.O-RING	2	(C40)
34	6H1-4384G-11-00	.SEAL, RELIEF VALVE	1	(C40)
35	CS3-43855-00-00	.SPRING, UP RELIEF	1	(C40)
36	6H1-4384F-10-00	.SEAL, MAIN VALVE	1	(C40)
37	6H1-43856-10-00	.SPRING, DOWN RELIEF	1	(C40)
38	6H1-43844-10-00	.PIN, VALVE SUPPORT	2	(C40)
39	92A08-03110-00	.SCREW SET	1	(C40)
40	95307-03600-00	.NUT	1	(C40)
41	CS3-4382A-00-00	.ADAPTOR 1	1	(C40)
42	93604-26256-00	.PIN, DOWEL	2	(C40)
43	CS3-43816-00-00	.FILTER 1	1	(C40)
44	CS3-4382L-00-00	.CAP, RELIEF VALVE	1	(C40)
45	91318-05020-00	.BOLT	2	(C40)
46	91318-05008-00	.BOLT	2	(C40)
47	93501-08001-00	.BALL	1	(C40)
48	CS3-4384G-00-00	.SEAL, RELIEF VALVE	1	(C40)
49	CS3-43854-00-00	.SPRING, MANUAL RELEASE	1	(C40)
50	62Y-43894-00-00	.SPRING, SHUTTLE RETURN	2	(C40)
51	CS3-4387J-00-00	.WASHER, SPECIAL 2	1	(C40)
52	CK5-22434-00-00	.PLATE, VALVE 1	1	(C40)
53	CS3-43871-00-00	.RING, BACK UP	1	(C40)

54	CS3-4387G-00-00	.WASHER	2	(C40)
55	90201-05M04-00	.WASHER, PLATE	2	(C40)
56	6H1-43816-00-00	FILTER 1	2	(C40)
57	93210-06001-00	.O-RING	2	(C40)
58	91318-06040-00	BOLT	3	(C40)
59	93210-18397-00	O-RING	1	(C40)
60	6H1-43875-00-00	.RING, SNAP	1	(C40)
61	CS3-43845-00-00	SCREW, MANUAL RELEASE	1	(C40)
62	93210-09165-00	O-RING	1	(C40)
63	6H1-43829-00-00	.PLUG, RESERVOIR	1	(C40)
64	62X-43865-00-00	O-RING	1	(C40)

C40TLRA 2002 / POWER TRIM TILT ASSY 2



62Y0010-1240

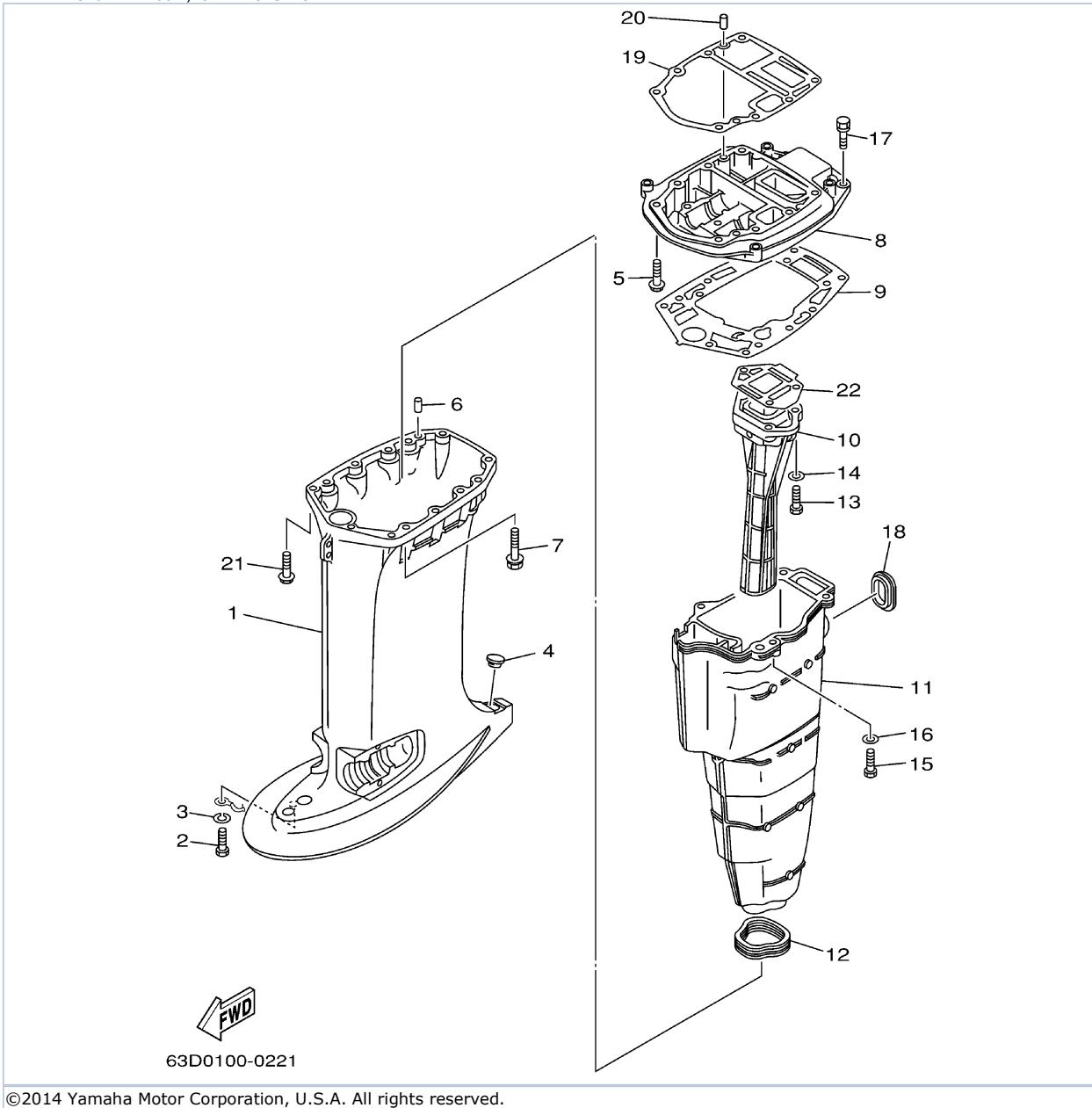
©2014 Yamaha Motor Corporation, U.S.A. All rights reserved.

Part List

C40TLRA 2002 / POWER TRIM TILT ASSY 2

REF - NO	PART NUMBER	PART NAME	QUANTITY	REMARKS
1	62X-43888-00-00	BOLT, SOCKET	3	(C40)
2	CS3-43880-00-00	MOTOR ASSY	1	(C40)
3	CS3-43805-00-00	.ARMATURE ASSY	1	(C40)
4	62X-43804-01-00	.STATOR ASSY	1	(C40)
5	CS3-43892-00-00	.BRUSH 2	1	(C40)
6	CS3-43891-00-00	.BRUSH 1	1	(C40)
7	CS3-82181-00-00	.CIRCUIT BREAKER COMP	1	(C40)
8	62X-43807-00-00	.WIRE SUB ASSY	1	(C40)
9	62X-4380F-00-00	.PLATE, BRUSH HOLDER	1	(C40)
10	62X-4386K-00-00	.SPRING, BRUSH	2	(C40)
11	97880-05020-00	.SCREW, PAN HEAD	3	(C40)
12	97601-04216-00	.SCREW, PAN HEAD W/ WASHER	2	(C40)
13	62X-43881-00-00	.FRAME, END	1	(C40)
14	62X-4380H-00-00	.METAL	1	(C40)
15	93102-08414-00	.OIL SEAL	1	(C40)
16	90201-083J8-00	.WASHER, PLATE	1	(C40)
17	93210-52449-00	.O-RING	1	(C40)

C40TLRA 2002 / UPPER CASING



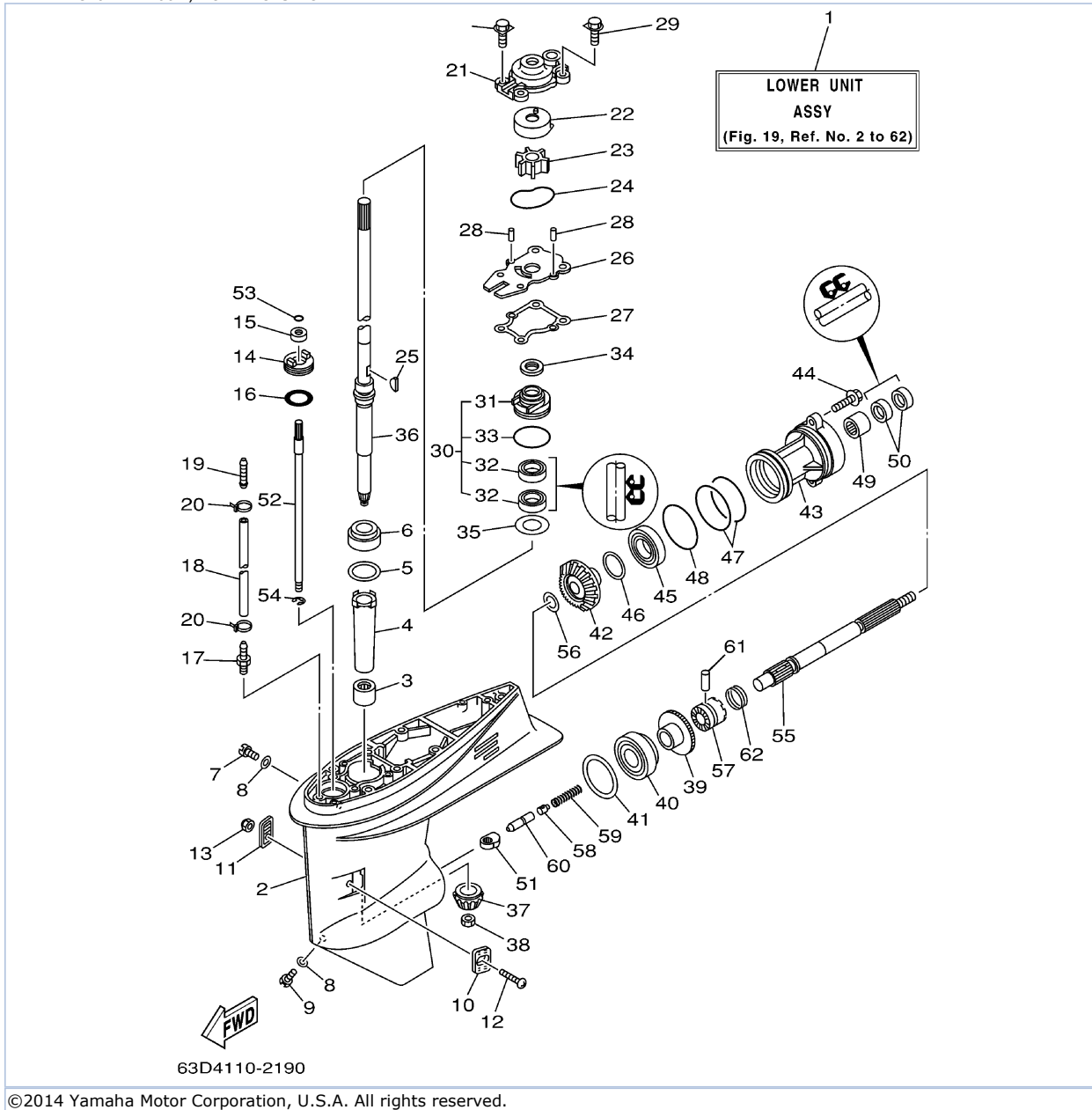
©2014 Yamaha Motor Corporation, U.S.A. All rights reserved.

Part List

C40TLRA 2002 / UPPER CASING

REF - NO	PART NUMBER	PART NAME	QUANTITY	REMARKS
1	63D-45111-11-4D	CASING, UPPER	1	L(C40)
2	97095-06012-00	BOLT	1	(C40)
3	92995-06100-00	WASHER, SPRING	1	(C40)
4	63D-45155-00-00	CAP	1	(C40)
5	97575-08445-00	BOLT, WITH WASHER	2	(C40)
6	93606-12019-00	.PIN, DOWEL	2	(C40)
7	90119-08M83-00	BOLT, WITH WASHER	6	(C40)
8	63D-41137-01-5B	GUIDE, EXHAUST	1	(C40)
9	63D-45114-A0-00	.GASKET, UPPER CASING	1	(C40)
10	6H4-41131-01-5B	MANIFOLD, EXT. 1	1	(C40)
11	63D-14711-11-5B	MUFFLER 1	1	L(C40)
12	63D-45123-00-00	.GASKET, MUFFLER	1	(C40)
13	97075-08030-00	BOLT	3	(C40)
14	92995-08600-00	WASHER	3	(C40)
15	97075-08030-00	BOLT	4	(C40)
16	92995-08600-00	WASHER	4	(C40)
17	90119-08M79-00	BOLT, WITH WASHER	2	(C40)
18	6H3-45127-00-00	SEAL	1	(C40)
19	6H4-45113-A0-00	GASKET, UPPER CASING	1	(C40)
20	93606-12019-00	.PIN, DOWEL	2	(C40)
21	97575-08445-00	BOLT, WITH WASHER	2	(C40)
22	6H4-41134-A0-00	GASKET, EXHAUST MANIFOLD	1	(C40)

C40TLRA 2002 / LOWER CASING DRIVE 1



Part List




C40TLRA 2002 / LOWER CASING DRIVE 1

REF - NO	PART NUMBER	PART NAME	QUANTITY	REMARKS
1	63D-45300-12-4D	LOWER UNIT ASSY	1	L(C40)
2	63D-45301-03-4D	CASING, LOWER	1	(C40)
3	93315-32224-00	BEARING	1	(C40)
4	6H4-45536-00-00	SLEEVE, DRIVE SHAFT	1	(C40)
5	663-45587-01-12	SHIM (T:0.12MM)	1	UR(C40)
5	663-45587-01-10	SHIM (T:0.10MM)	1	UR(C40)
5	663-45587-01-15	SHIM (T:0.15MM)	1	UR(C40)
5	663-45587-01-50	SHIM (T:0.50MM)	1	UR(C40)
5	663-45587-01-40	SHIM (T:0.40MM)	1	UR(C40)
5	663-45587-01-18	SHIM (T:0.18MM)	1	UR(C40)
5	663-45587-01-30	SHIM (T:0.30MM)	1	UR(C40)
6	93332-00001-00	BEARING	1	(C40)
7	90340-08M04-00	PLUG, STRAIGHT SCREW	1	(C40)
8	90430-08020-00	.GASKET	2	(C40)
9	688-45341-00-00	PLUG, DRAIN	1	(C40)
10	63D-45214-00-00	COVER, WATER INLET 1	1	(C40)
11	63D-45215-00-00	COVER, WATER INLET 2	1	(C40)
12	90142-05M06-00	SCREW, COUNTERSUNK	1	(C40)
13	95380-05600-00	NUT	1	(C40)
14	63D-45321-00-00	PLATE	1	(C40)
15	93106-09014-00	.OIL SEAL	1	(C40)
16	93210-33MG4-00	.O-RING	1	(C40)
17	6E5-45378-00-00	NIPPLE, HOSE	1	(C40)
18	90445-07M31-00	HOSE (L200)	1	L(C40)
19	6E5-83558-10-00	END, NIPPLE	1	(C40)
20	90465-11M10-00	CLAMP	2	(C40)
21	63D-44311-00-00	HOUSING, WATER PUMP	1	(C40)
22	63D-44322-00-00	.INSERT, CARTRIDGE	1	(C40)
23	6H3-44352-00-00	.IMPELLER	1	(C40)
24	93210-59MG7-00	.O-RING	1	(C40)
25	90280-03024-00	.KEY, WOODRUFF	1	(C40)
26	63D-44323-00-00	.OUTER PLATE, CARTRIDGE	1	(C40)
27	63D-44316-00-00	.GASKET, WATER PUMP	1	(C40)
28	93604-08062-00	PIN, DOWEL	2	(C40)
29	90119-08M15-00	.BOLT, WITH WASHER	4	(C40)
30	63D-W4434-00-00	WATER PUMP HOUSING ASSY	1	(C40)
31	63D-44341-00-00	.HOUSING, WATER PUMP	1	(C40)
32	93101-25M57-00	.OIL SEAL	2	(C40)
33	93210-48MG8-00	.O-RING	1	(C40)
34	63D-45344-00-00	COVER, OIL SEAL	1	(C40)
35	90201-27M00-00	WASHER, PLATE	1	(C40)
36	63D-45501-10-00	DRIVE SHAFT COMP.	1	L(C40)
37	6H4-45551-01-00	PINION (13T)	1	(C40)
38	90170-12138-00	NUT	1	(C40)
39	6H4-45560-01-00	GEAR 1 (24T)	1	(C40)
40	93332-00003-00	BEARING	1	(C40)
41	663-45567-01-10	SHIM (T:0.10MM)	1	UR(C40)
41	663-45567-01-12	SHIM (T:0.12MM)	1	UR(C40)
41	663-45567-01-15	SHIM (T:0.15MM)	1	UR(C40)
41	663-45567-01-18	SHIM (T:0.18MM)	1	UR(C40)
41	663-45567-01-30	SHIM (T:0.30MM)	1	UR(C40)
41	663-45567-01-40	SHIM (T:0.40MM)	1	UR(C40)
41	663-45567-01-50	SHIM (T:0.50MM)	1	UR(C40)

42	6H4-45571-01-00	GEAR 2 (24T)	1	(C40)
43	63D-45361-02-4D	CAP, LOWER CASING	1	(C40)
44	90105-08M61-00	BOLT, FLANGE	2	(C40)
45	93306-001U1-00	BEARING	1	(C40)
46	63D-45577-00-10	SHIM (T:0.10MM)	1	UR(C40)
46	63D-45577-00-12	SHIM (T:0.12MM)	1	UR(C40)
46	63D-45577-00-15	SHIM (T:0.15MM)	1	UR(C40)
46	63D-45577-00-18	SHIM (T:0.18MM)	1	UR(C40)
46	63D-45577-00-30	SHIM (T:0.30MM)	1	UR(C40)
46	63D-45577-00-40	SHIM (T:0.40MM)	1	UR(C40)
46	63D-45577-00-50	SHIM (T:0.50MM)	1	UR(C40)
47	93210-74MG5-00	.O-RING	2	(C40)
48	93210-69MG6-00	.O-RING	1	(C40)
49	93317-22204-00	BEARING	1	(C40)
50	93101-22M00-00	.OIL SEAL	2	(C40)
51	663-44151-00-00	CAM, SHIFT	1	(C40)
52	63D-44144-00-00	ROD, SHIFT	1	(C40)
53	93210-07003-00	.O-RING	1	(C40)
54	93430-08006-00	CIRCLIP	1	(C40)
55	63D-45611-00-00	SHAFT, PROPELLER	1	(C40)
56	90201-22429-00	WASHER, PLATE	1	(C40)
57	63D-45631-01-00	CLUTCH, DOG	1	(C40)
58	663-45634-00-00	SLIDE, SHIFT	1	(C40)
59	90501-16M01-00	SPRING, COMPRESSION	1	(C40)
60	63D-45635-00-00	PLUNGER, SHIFT	1	(C40)
61	90250-06023-00	PIN, STRAIGHT	1	(C40)
62	663-45633-00-00	RING, CROSS PIN	1	(C40)

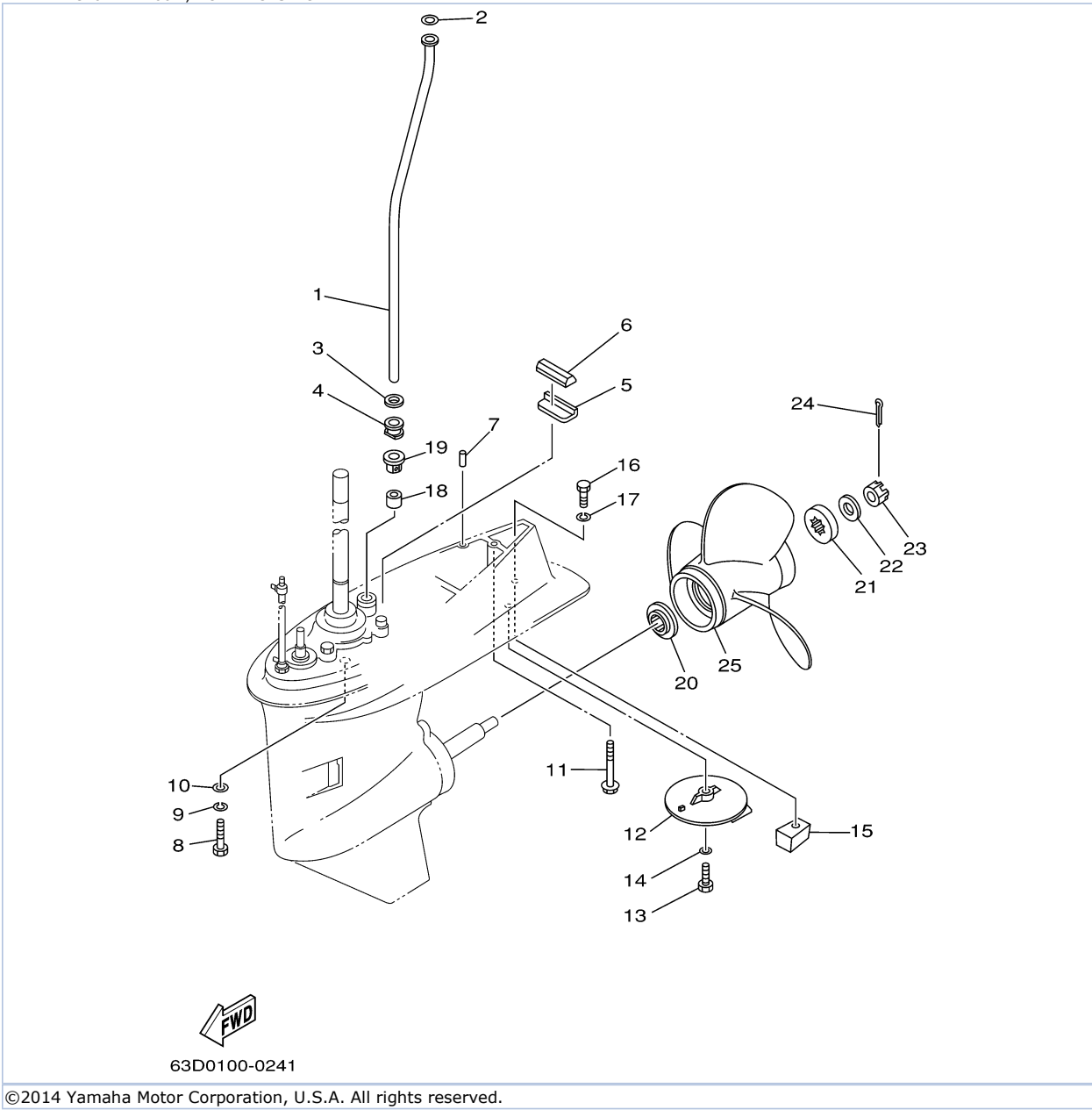
Part Notes

C40TLRA 2002 / LOWER CASING DRIVE 1

PART NUMBER		NOTE TEXT
90430-08020-00		OEM: This part number is among the Top 100 Most Popular Marine Maintenance Parts as of March 2014.
93106-09014-00		OEM: This part number is among the Top 100 Most Popular Marine Maintenance Parts as of March 2014.
6H3-44352-00-00		OEM: This part number is among the Top 100 Most Popular Marine Maintenance Parts as of March 2014.

©2014 Yamaha Motor Corporation, U.S.A. All rights reserved.

C40TLRA 2002 / LOWER CASING DRIVE 2



©2014 Yamaha Motor Corporation, U.S.A. All rights reserved.

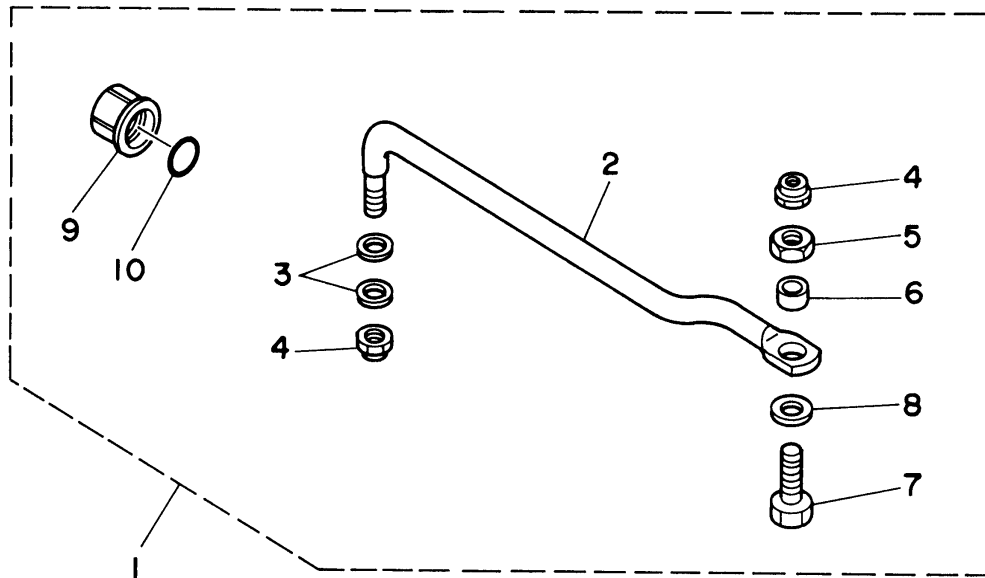
Part List

C40TLRA 2002 / LOWER CASING DRIVE 2

REF - NO	PART NUMBER	PART NAME	QUANTITY	REMARKS
1	63D-44361-10-00	TUBE, WATER	1	L(C40)
2	90202-12060-00	WASHER, PLATE	1	(C40)
3	90430-12072-00	GASKET	1	(C40)
4	63D-44367-00-00	DAMPER, WATER SEAL	1	(C40)
5	663-45376-00-94	GUIDE, SEAL DAMPER	1	(C40)
6	63D-45375-00-00	DAMPER, SEAL	1	(C40)
7	93606-12019-00	.PIN, DOWEL	2	(C40)
8	97075-10040-00	BOLT	4	(C40)
9	92995-10100-00	WASHER	4	(C40)
10	92995-10600-00	WASHER	4	(C40)
11	90119-08M84-00	BOLT, WITH WASHER	1	(C40)
12	664-45371-01-00	TAB-TRIM	1	(C40)
13	97095-08025-00	BOLT	1	(C40)
14	92995-08100-00	WASHER	1	(C40)
15	67C-45251-00-00	ANODE	1	(C40)
16	97095-08035-00	BOLT	1	(C40)
17	92995-08100-00	WASHER	1	(C40)
18	663-44366-00-00	.DAMPER, WATER SEAL 2	1	(C40)
19	63D-44312-00-00	.COVER, WATER PUMP HOUSING	1	(C40)
20	663-45987-02-00	SPACER 1	1	(C40)
21	670-45997-02-00	SPACER	1	(C40)
22	92990-16200-00	WASHER, PLAIN	1	(C40)
23	90171-16011-00	NUT, CASTLE	1	(C40)
24	91490-30025-00	PIN. COTTER	1	(C40)
25	663-45970-60-98	PROPELLER (3X11-3/4"X12"-G)	1	UR(C40)
25	663-45972-60-98	PROPELLER (3X12"X11"-G)	1	UR(C40)
25	663-45974-60-98	PROPELLER (3X11-1/2"X13"-G)	1	UR(C40)
25	663-45976-00-98	PROPELLER (3X10-1/4"X15"-G)	1	UR(C40)
25	663-45978-00-98	PROPELLER (3X10-1/4"X16"-G)	1	UR(C40)
25	663-45930-00-98	PROPELLER (3X10-1/4"X14"-G)	1	UR(C40)
25	663-45943-02-EL	PROPELLER (3X11"X15"-G)	1	UR(C40)
25	663-45945-02-EL	PROPELLER (3X11-1/8"X13"-G)	1	UR(C40)
25	663-45958-01-EL	PROPELLER (3X11-1/4"X14"-G)	1	UR(C40)
25	663-45974-02-98	PROPELLER (3X10-5/8"X13"-G)	1	UR(C40)
25	663-45952-02-EL	PROPELLER (3X11-3/8"X12"-G)	1	UR(C40)
25	697-45970-00-98	PROPELLER (3X11-1/4"X14"-G)	1	UR(C40)
25	663-45954-01-EL	PROPELLER (3X11-3/4"X10"-G)	1	UR(C40)
25	6H5-45958-00-EL	PROPELLER (3X10-1/4"X14"-G)	1	UR WITH LIP CUP(C40)
25	663-45956-01-EL	PROPELLER (3X12-1/4"X9"-G)	1	UR(C40)
25	6H5-45952-00-EL	PROPELLER (3X10-3/8X13"-G)	1	UR WITH LIP CUP(C40)
25	663-45949-01-EL	PROPELLER (3X10-3/4"X16"-G)	1	UR(C40)
25	663-45947-02-EL	PROPELLER (3X11-5/8"X11"-G)	1	UR(C40)
25	6H5-45945-00-EL	PROPELLER (3X10-5/8X12"-G)	1	UR WITH LIP CUP(C40)

		G)		
25	663-45941-01-EL	PROPELLER (3X10-3/4"X17"-G)	1	UR(C40)
25	6H5-45943-00-EL	PROPELLER (3X10"X15"-G)	1	UR WITH LIP CUP(C40)

C40TLRA 2002 / STEERING GUIDE



62Y0010-5200

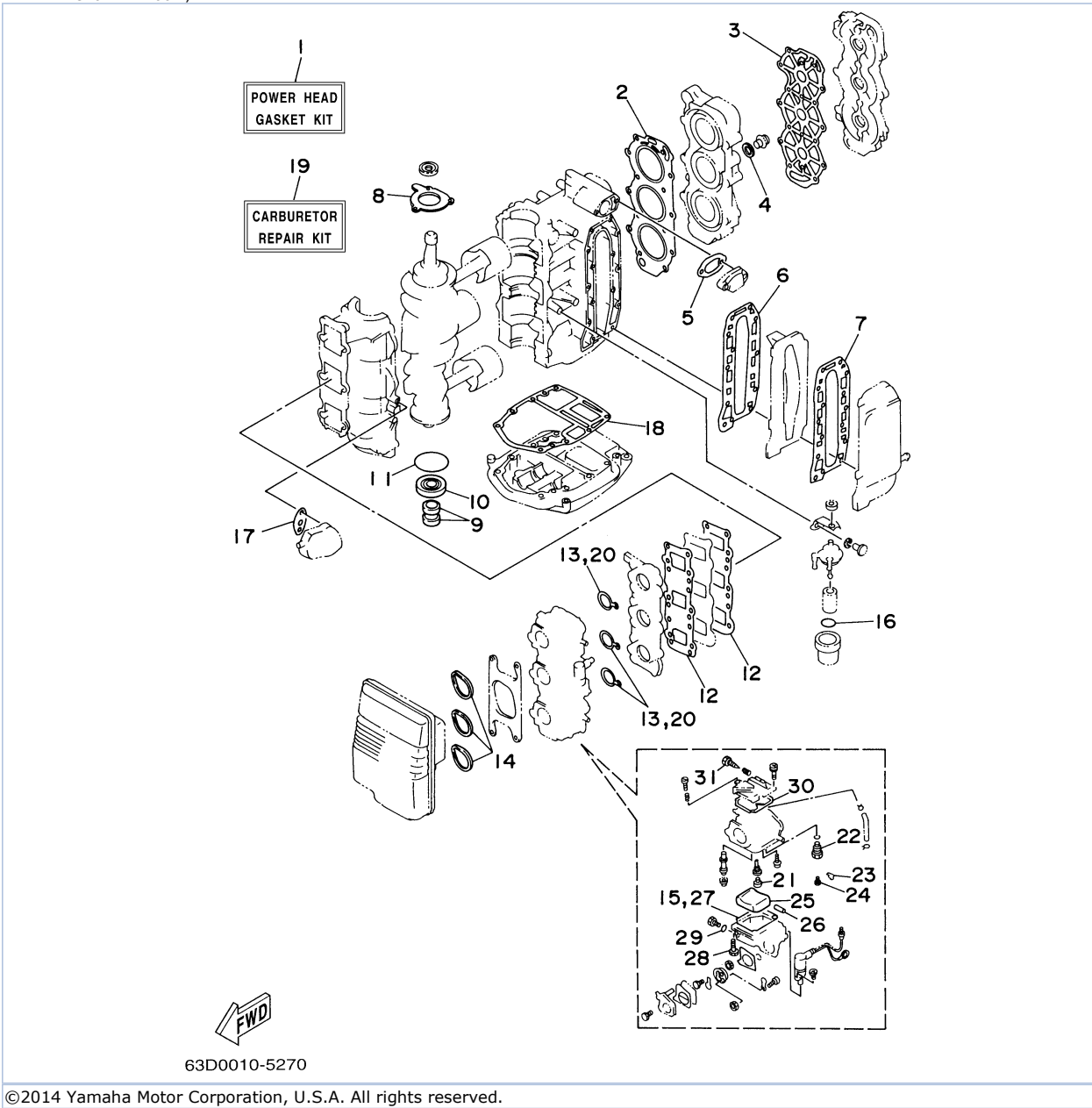
©2014 Yamaha Motor Corporation, U.S.A. All rights reserved.

Part List

C40TLRA 2002 / STEERING GUIDE

REF - NO	PART NUMBER	PART NAME	QUANTITY	REMARKS
1	63D-61350-00-00	STEERING GUIDE ATTACHMENT KIT	1	AP(C40)
2	63D-61351-00-00	.ROD, STEERING LINK	1	(C40)
3	90201-10M20-00	.WASHER, PLATE	2	(C40)
4	90185-09M01-00	.NUT, SELF-LOCKING	2	(C40)
5	90170-09M03-00	.NUT	1	(C40)
6	90387-10M42-00	.COLLAR	1	(C40)
7	90101-09M01-00	.BOLT	1	(C40)
8	90201-10M63-00	.WASHER, PLATE	1	(C40)
9	6E5-43145-01-00	.CAP, CLAMP BRACKET	1	(C40)
10	93210-16275-00	.O-RING	1	(C40)

C40TLRA 2002 / REPAIR KIT 1



©2014 Yamaha Motor Corporation, U.S.A. All rights reserved.



Part List

C40TLRA 2002 / REPAIR KIT 1

REF - NO	PART NUMBER	PART NAME	QUANTITY	REMARKS
1	63D-W0001-00-00	POWER HEAD GASKET KIT	1	(C40)
2	63D-11181-A1-00	.GASKET, CYLINDER HEAD 1	1	(C40)
3	63D-11193-A0-00	.GASKET, HEAD COVER 1	1	(C40)
4	90430-14115-00	.GASKET	1	(C40)
5	61A-12414-A0-00	.GASKET, COVER	1	(C40)
6	6H4-41112-A0-00	.GASKET, EXHAUST INNER COVER	1	(C40)
7	6H4-41114-A0-00	.GASKET, EXHAUST COVER	1	(C40)
8	6H4-15369-A1-00	.GASKET, OIL SEAL HOUSING	1	(C40)
9	93104-16M01-00	.OIL SEAL	2	(C40)
10	93102-25M28-00	.OIL SEAL	1	(C40)
11	93210-58M21-00	.O-RING	1	(C40)
12	6H4-13621-A1-00	.GASKET, VALVE SEAT	2	(C40)
13	6H4-14198-01-00	.GASKET	3	(C40)
14	6H3-14457-01-00	.SEAL	3	(C40)
15	6H4-14984-00-00	.GASKET, FLOAT CHAMBER	3	(C40)
16	93210-32738-00	.O-RING	1	(C40)
17	650-24431-A0-00	.GASKET, FUEL PUMP 1	1	(C40)
18	6H4-45113-A0-00	.GASKET, UPPER CASING	1	(C40)
19	6H4-W0093-03-00	CARBURETOR REPAIR KIT	1	(C40)
20	6H4-14198-01-00	.GASKET	3	(C40)
21	676-14966-00-00	.CAP	3	(C40)
22	6H4-14590-00-00	.NEEDLE VALVE ASSY	3	(C40)
23	663-14159-00-00	.CLIP	3	(C40)
24	676-14186-00-00	.PIN, FLOAT	3	(C40)
25	6H4-14985-01-00	.FLOAT	3	(C40)
26	6H4-14548-00-00	.PIN, FLOAT ARM	3	(C40)
27	6H4-14984-00-00	.GASKET, FLOAT CHAMBER	3	(C40)
28	97980-04114-00	.SCREW, WITH WASHER	3	(C40)
29	93210-04230-00	.O-RING	3	(C40)
30	6H4-14147-00-00	.O-RING	3	(C40)
31	692-14923-00-00	.SCREW, PILOT	3	(C40)

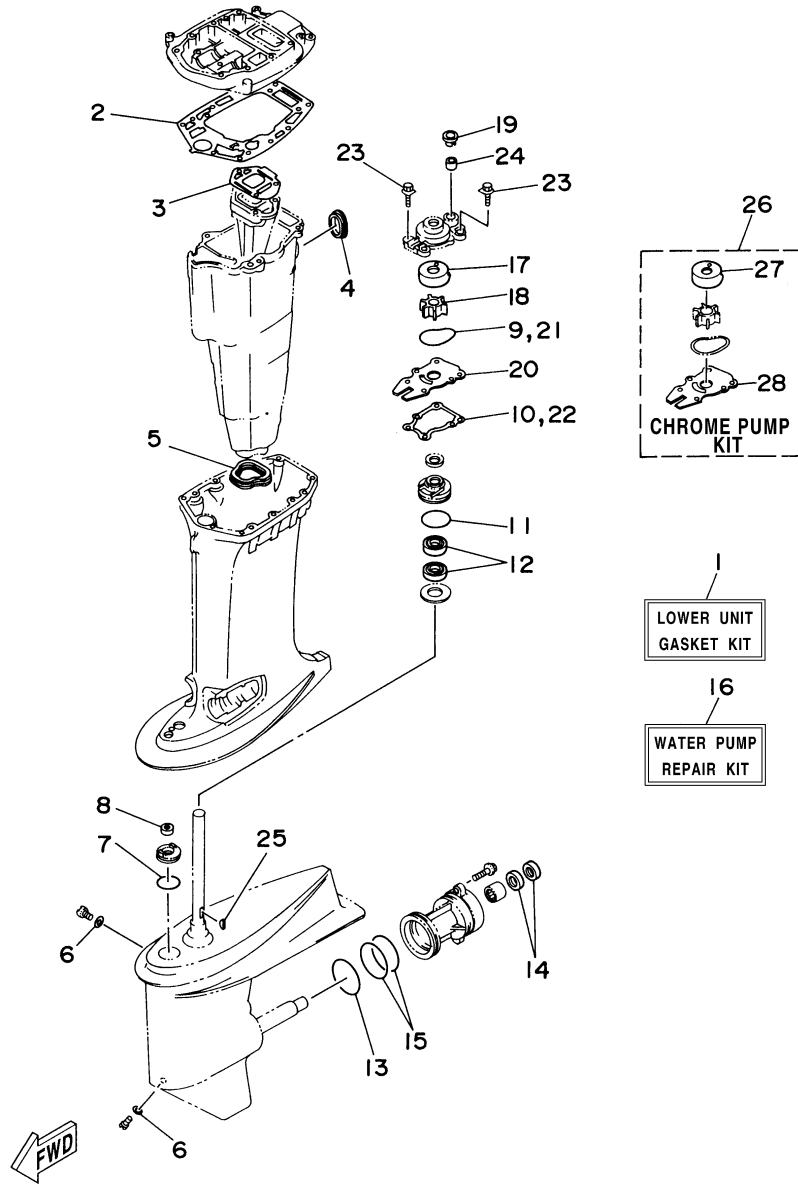
Part Notes

C40TLRA 2002 / REPAIR KIT 1

PART NUMBER	NOTE TEXT
61A-12414-A0-00 	OEM: This part number is among the Top 100 Most Popular Marine Maintenance Parts as of March 2014.
650-24431-A0-00 	OEM: This part number is among the Top 100 Most Popular Marine Maintenance Parts as of March 2014.

©2014 Yamaha Motor Corporation, U.S.A. All rights reserved.

C40TLRA 2002 / REPAIR KIT 2



63D0010-5280

©2014 Yamaha Motor Corporation, U.S.A. All rights reserved.





Part List

C40TLRA 2002 / REPAIR KIT 2

REF - NO	PART NUMBER	PART NAME	QUANTITY	REMARKS
1	63D-W0001-20-00	LOWER UNIT GASKET KIT	1	(C40)
2	63D-45114-A0-00	.GASKET, UPPER CASING	1	(C40)
3	6H4-41134-A0-00	.GASKET, EXHAUST MANIFOLD	1	(C40)
4	6H3-45127-00-00	.SEAL	1	(C40)
5	63D-45123-00-00	.GASKET, MUFFLER	1	(C40)
6	90430-08020-00	.GASKET	2	(C40)
7	93210-33MG4-00	.O-RING	1	(C40)
8	93106-09014-00	.OIL SEAL	1	(C40)
9	93210-59MG7-00	.O-RING	1	(C40)
10	63D-44316-00-00	.GASKET, WATER PUMP	1	(C40)
11	93210-48MG8-00	.O-RING	1	(C40)
12	93101-25M57-00	.OIL SEAL	2	(C40)
13	93210-69MG6-00	.O-RING	1	(C40)
14	93101-22M00-00	.OIL SEAL	2	(C40)
15	93210-74MG5-00	.O-RING	2	(C40)
16	63D-W0078-01-00	WATER PUMP REPAIR KIT	1	(C40)
17	63D-44322-00-00	.INSERT, CARTRIDGE	1	(C40)
18	6H3-44352-00-00	.IMPELLER	1	(C40)
19	63D-44312-00-00	.COVER, WATER PUMP HOUSING	1	(C40)
20	63D-44323-00-00	.OUTER PLATE, CARTRIDGE	1	(C40)
21	93210-59MG7-00	.O-RING	1	(C40)
22	63D-44316-00-00	.GASKET, WATER PUMP	1	(C40)
23	90119-08M15-00	.BOLT, WITH WASHER	4	(C40)
24	663-44366-00-00	.DAMPER, WATER SEAL 2	1	(C40)
25	90280-03024-00	.KEY, WOODRUFF	1	(C40)
26	63D-W0078-0A-00	CHROME PUMP KIT	1	(C40)
27	63D-44322-40-00	.INSERT, CARTRIDGE	1	(C40)
28	63D-44323-40-00	.OUTER PLATE, CARTRIDGE	1	(C40)

Part Notes

C40TLRA 2002 / REPAIR KIT 2

PART NUMBER		NOTE TEXT
90430-08020-00		OEM: This part number is among the Top 100 Most Popular Marine Maintenance Parts as of March 2014.
93106-09014-00		OEM: This part number is among the Top 100 Most Popular Marine Maintenance Parts as of March 2014.
63D-W0078-01-00		OEM: This part number is among the Top 100 Most Popular Marine Maintenance Parts as of March 2014.
6H3-44352-00-00		OEM: This part number is among the Top 100 Most Popular Marine Maintenance Parts as of March 2014.

©2014 Yamaha Motor Corporation, U.S.A. All rights reserved.

©2014 Yamaha Motor Corporation, U.S.A. All rights reserved.