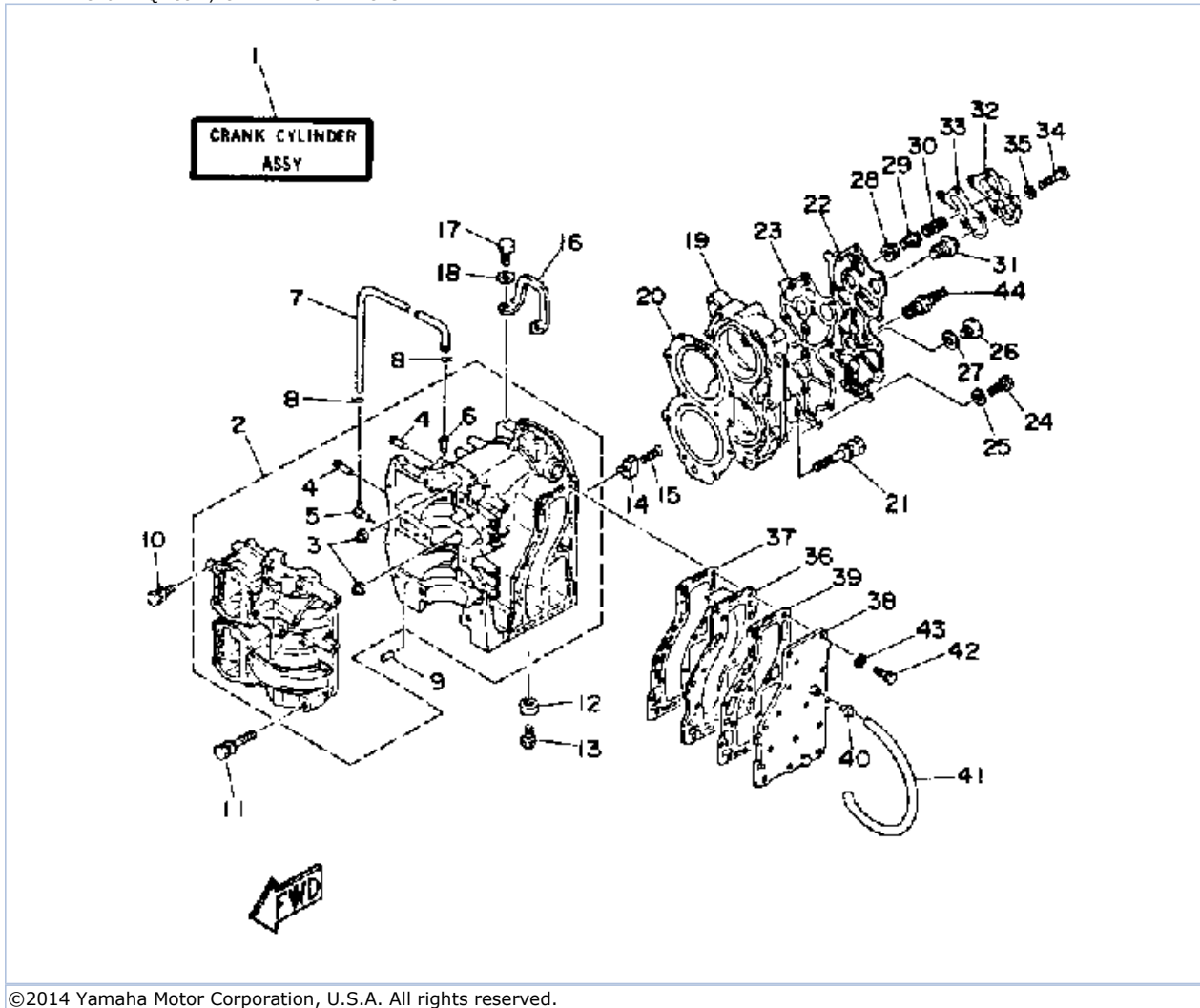


C40ELRQ 1992 / CYLINDER CRANKCASE



©2014 Yamaha Motor Corporation, U.S.A. All rights reserved.


## Part List



C40ELRQ 1992 / CYLINDER CRANKCASE

| REF - NO | PART NUMBER       | PART NAME                                                    | QUANTITY | REMARKS |
|----------|-------------------|--------------------------------------------------------------|----------|---------|
| 1        | 6R6-W0090-00-EJ   | CRANK-CYLINDER.ASSEMBLY. (REF. #2~42 & GRID A-7, REF. #1~23) | 1        |         |
| 2        | 6E9-15100-00-94   | CRANKCASE ASSEMBLY                                           | 1        |         |
| 3        | 663-11518-01-00   | .LOCK BEARING                                                | 2        |         |
| 4        | 676-14485-00-00   | .PIPE, JOINT                                                 | 2        |         |
| 5        | 650-11370-00-00   | .CHECK VALVE ASSY                                            | 1        |         |
| 6        | 624-14485-00-00   | .PIPE, JOINT                                                 | 1        |         |
| 7        | 676-24312-00-00   | PIPE 2                                                       | 1        |         |
| 8        | 90467-06016-00    | CLIP                                                         | 2        |         |
| 9        | 93608-12063-00    | PIN, DOWEL                                                   | 2        |         |
| 10       | 90119-06M12-00    | BOLT, WITH WASHER                                            | 9        |         |
| 11       | 90119-10M22-00    | BOLT, WITH WASHER                                            | 6        |         |
| 12       | 676-45251-00-00   | ANODE                                                        | 1        |         |
| 13       | 97395-06016-00    | BOLT, HEX                                                    | 1        |         |
| 14       | 676-11325-00-00   | ANODE                                                        | 1        |         |
| 15       | 98780-06025-00    | SCREW, FLAT HEAD                                             | 1        |         |
| 16       | 676-11119-00-00   | HANGER, ENGINE                                               | 1        |         |
| 17       | 97313-08020-00    | BOLT, HEXAGON                                                | 2        |         |
| 18       | 92990-08600-00    | ..WASHER, PLATE                                              | 2        |         |
| 19       | 6E9-11111-00-94   | HEAD, CYLINDER 1                                             | 1        |         |
| 20       | 676-11181-A0-00   | GASKET, CYLINDER HEAD 1                                      | 1        |         |
| 21       | 90119-08M20-00    | BOLT, WITH WASHER                                            | 11       |         |
| 22       | 6E9-11191-00-9M   | COVER, CYLINDER HEAD 1                                       | 1        |         |
| 23       | (6E9-11193-00-A0) | GASKET, HD.COVER 1                                           | 1        |         |
| 24       | 97313-06020-00    | BOLT, HEXAGON                                                | 11       |         |
| 25       | 92990-06600-00    | WASHER, PLATE                                                | 11       |         |
| 26       | 90340-14036-00    | PLUG, STRAIGHT SCREW                                         | 1        |         |
| 27       | 90430-14115-00    | .GASKET                                                      | 1        |         |
| 28       | 90480-18065-00    | GROMMET                                                      | 1        |         |
| 29       | 663-12416-00-00   | VALVE, PRESSURE CONTROL                                      | 1        |         |
| 30       | 90501-14M02-00    | SPRING, COMPRESSION                                          | 1        |         |
| 31       | 6F5-12411-02-00   | THERMOSTAT                                                   | 1        |         |
| 32       | 6E9-12413-00-9M   | COVER, THERMOSTAT                                            | 1        |         |
| 33       | 6E9-12414-A0-00   | GASKET, COVER                                                | 1        |         |
| 34       | 97313-06030-00    | BOLT                                                         | 4        |         |
| 35       | 92990-06600-00    | WASHER, PLATE                                                | 4        |         |
| 36       | 676-41111-01-9M   | INNER COVER, EXHAUST                                         | 1        |         |
| 37       | 676-41112-A0-00   | GASKET, EXHAUST INNER COVER                                  | 1        |         |
| 38       | 676-41113-02-9M   | OUTER COVER, EXHAUST                                         | 1        |         |
| 39       | 6E9-41114-A0-00   | GASKET, EXHAUST OUTER COVER                                  | 1        |         |
| 40       | 652-24461-00-00   | PIPE, JOINT 4                                                | 1        |         |
| 41       | 6A0-24312-00-00   | PIPE 2                                                       | 1        |         |
| 42       | 97313-06025-00    | BOLT                                                         | 16       |         |
| 43       | 92990-06600-00    | WASHER, PLATE                                                | 16       |         |
| 44       | NGK-B8HS0-00-00   | PLUG, SPARK (NGK B8HS)                                       | 2        |         |

## Part Notes

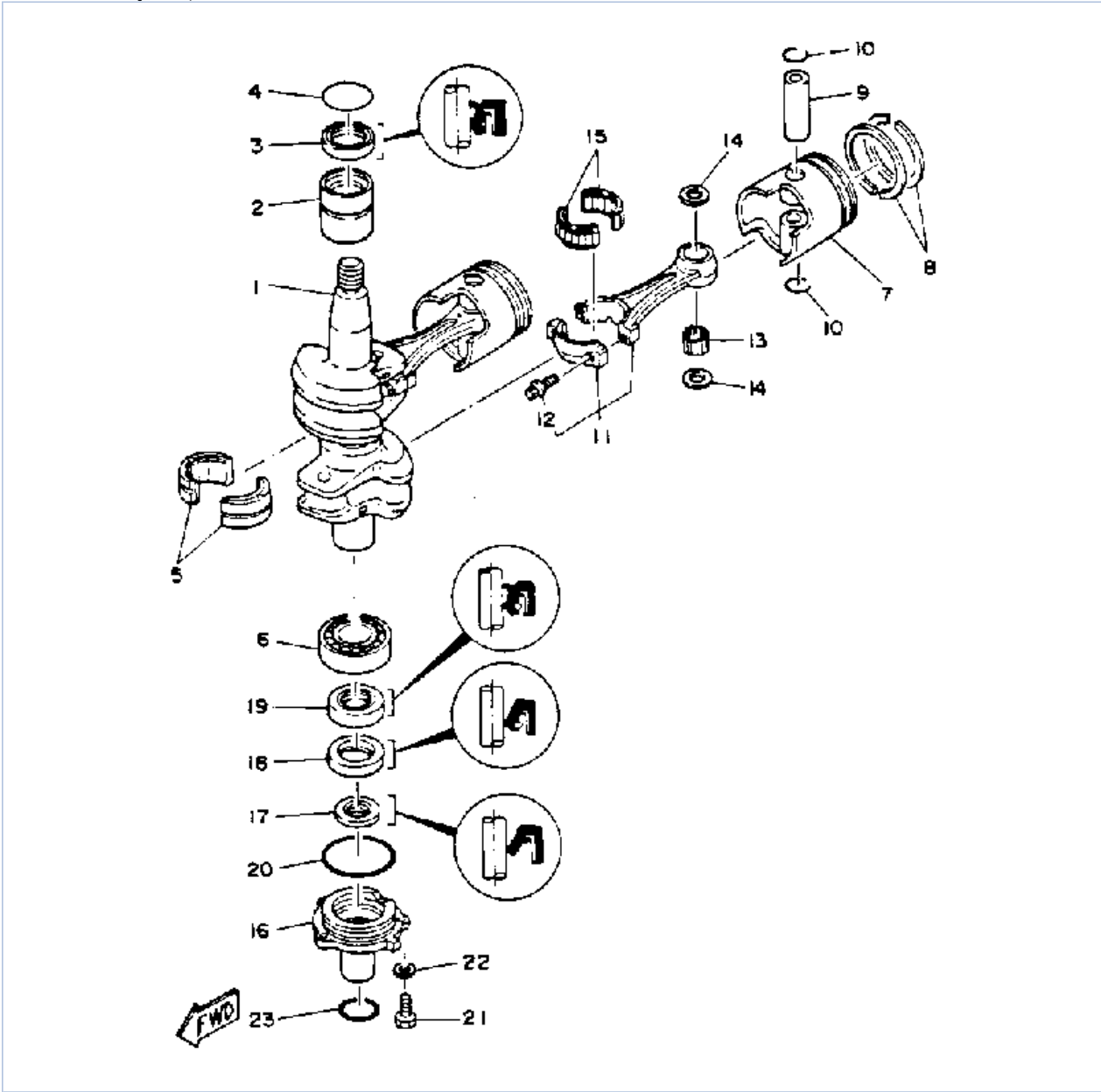
C40ELRQ 1992 / CYLINDER CRANKCASE

| PART NUMBER                                                                                        | NOTE TEXT                                                                                          |
|----------------------------------------------------------------------------------------------------|----------------------------------------------------------------------------------------------------|
| 92990-06600-00  | OEM: This part number is among the Top 100 Most Popular Marine Maintenance Parts as of March 2014. |

|                |                                                                                   |                                                                                                    |
|----------------|-----------------------------------------------------------------------------------|----------------------------------------------------------------------------------------------------|
| 92990-06600-00 |  | OEM: This part number is among the Top 100 Most Popular Marine Maintenance Parts as of March 2014. |
| 92990-06600-00 |  | OEM: This part number is among the Top 100 Most Popular Marine Maintenance Parts as of March 2014. |

©2014 Yamaha Motor Corporation, U.S.A. All rights reserved.

C40ELRQ 1992 / CRANKSHAFT PISTON



©2014 Yamaha Motor Corporation, U.S.A. All rights reserved.



## Part List

C40ELRQ 1992 / CRANKSHAFT PISTON

| REF<br>-<br>NO | PART<br>NUMBER  | PART NAME                    | QUANTITY | REMARKS |
|----------------|-----------------|------------------------------|----------|---------|
| 1              | 676-11411-00-00 | CRANKSHAFT                   | 1        |         |
| 2              | 93311-632U2-00  | BEARING, CYLINDRICAL         | 1        |         |
| 3              | 93102-32M07-00  | OIL SEAL                     | 1        |         |
| 4              | 93210-42159-00  | .O-RING                      | 1        |         |
| 5              | 93311-832U4-00  | BEARING                      | 1        |         |
| 6              | 93306-206U4-00  | BEARING                      | 1        |         |
| 7              | 6E9-11636-00-00 | PISTON (0.50MM O/S)          | 2        |         |
| 7              | 6E9-11631-00-96 | PISTON (STD)                 | 2        |         |
| 8              | 679-11610-20-00 | PISTON RING SET (0.50MM O/S) | 2        |         |
| 8              | 679-11610-00-00 | PISTON RING SET (STD)        | 2        |         |
| 9              | 676-11633-00-00 | PIN, PISTON                  | 2        |         |
| 10             | 688-11634-00-00 | CLIP, PISTON PIN             | 4        |         |
| 11             | 6E9-11650-01-00 | CONNECTING ROD ASSEMBLY      | 2        |         |
| 12             | 90109-08M61-00  | .BOLT                        | 2        |         |
| 13             | 93603-21111-00  | PIN, DOWEL                   | 56       |         |
| 14             | 90201-20417-00  | WASHER, PLATE                | 4        |         |
| 15             | 93310-730V6-00  | BEARING, CYLINDRICAL         | 2        |         |
| 16             | 6E9-15396-01-5B | HOUSING, OIL SEAL            | 1        |         |
| 17             | 93101-16M36-00  | OIL SEAL                     | 1        |         |
| 18             | 93101-28M19-00  | OIL SEAL                     | 1        |         |
| 19             | 93102-28M08-00  | OIL SEAL                     | 1        |         |
| 20             | 93210-62269-00  | O-RING                       | 1        |         |
| 21             | 97313-06016-00  | BOLT, HEXAGON                | 3        |         |
| 22             | 92990-06600-00  | WASHER, PLATE                | 3        |         |
| 23             | 93210-22M02-00  | O-RING                       | 1        |         |

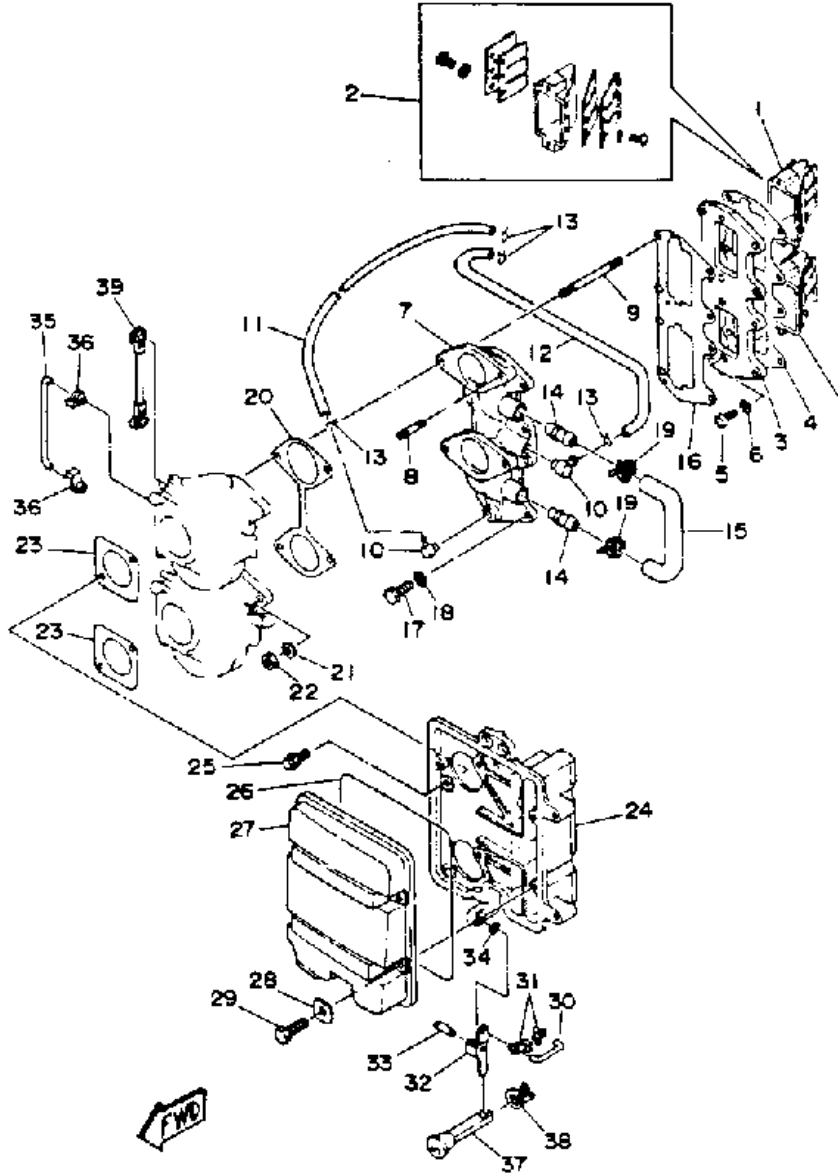
## Part Notes

C40ELRQ 1992 / CRANKSHAFT PISTON

| PART NUMBER    |                                                                                     | NOTE TEXT                                                                                          |
|----------------|-------------------------------------------------------------------------------------|----------------------------------------------------------------------------------------------------|
| 93603-21111-00 |  | OEM: This part number is among the Top 100 Most Popular Marine Maintenance Parts as of March 2014. |
| 92990-06600-00 |  | OEM: This part number is among the Top 100 Most Popular Marine Maintenance Parts as of March 2014. |

©2014 Yamaha Motor Corporation, U.S.A. All rights reserved.

C40ELRQ 1992 / INTAKE



©2014 Yamaha Motor Corporation, U.S.A. All rights reserved.



## Part List

C40ELRQ 1992 / INTAKE

| REF - NO | PART NUMBER     | PART NAME           | QUANTITY | REMARKS |
|----------|-----------------|---------------------|----------|---------|
| 1        | 6A0-13610-00-00 | REED VALVE ASSEMBLY | 2        |         |
| 2        | 676-W0004-00-00 | .REED SET           | 1        |         |
| 3        | 676-13642-00-94 | MANIFOLD 2          | 1        |         |
| 4        | 676-13646-A0-00 | GASKET, MANIFOLD 2  | 1        |         |
| 5        | 98580-05016-00  | SCREW, PAN HEAD     | 4        |         |
| 6        | 92990-05100-00  | .WASHER, SPRING     | 4        |         |
| 7        | 6E9-13641-00-94 | MANIFOLD 1          | 1        |         |
| 8        | 90116-06122-00  | BOLT, STUD          | 2        |         |
| 9        | 90116-06M15-00  | BOLT, STUD          | 2        |         |
| 10       | 650-11370-00-00 | CHECK VALVE ASSY    | 2        |         |
| 11       | 90445-07M45-00  | HOSE (L340)         | 1        |         |
| 12       | 90445-07M44-00  | HOSE (L250)         | 1        |         |
| 13       | 90467-06016-00  | CLIP                | 4        |         |
| 14       | 6E9-14485-00-00 | PIPE, JOINT         | 2        |         |
| 15       | 6E9-24321-00-00 | PIPE 10             | 1        |         |
| 16       | 676-13646-A0-00 | GASKET, MANIFOLD 2  | 1        |         |
| 17       | 97313-06025-00  | BOLT                | 6        |         |
| 18       | 92990-06600-00  | WASHER, PLATE       | 6        |         |
| 19       | 90465-11M10-00  | CLAMP               | 2        |         |
| 20       | 6E9-14198-A0-00 | GASKET              | 1        |         |
| 21       | 92990-06600-00  | WASHER, PLATE       | 4        |         |
| 22       | 95380-06600-00  | NUT, HEXAGON        | 4        |         |
| 23       | 6E9-14483-A0-00 | GASKET              | 2        |         |
| 24       | 6E9-14417-70-94 | COVER 1             | 1        |         |
| 25       | 90105-06M14-00  | BOLT FLANGE         | 4        |         |
| 26       | 6E9-14476-00-00 | SEAL                | 1        |         |
| 27       | 6E9-14418-00-00 | COVER 2             | 1        |         |
| 28       | 90209-06M06-00  | WASHER              | 4        |         |
| 29       | 97395-06016-00  | BOLT, HEX           | 4        |         |
| 30       | 6E9-41256-00-00 | ROD, CHOKE 1        | 1        |         |
| 31       | 661-41262-02-00 | JOINT, CHOKE LEVER  | 2        |         |
| 32       | 6E9-41252-00-00 | LEVER, CHOKE        | 1        |         |
| 33       | 91690-40016-00  | PIN, SPRING         | 1        |         |
| 34       | 90206-05005-00  | WASHER, WAVE        | 1        |         |
| 35       | 663-41257-02-00 | ROD, CHOKE 2        | 1        |         |
| 36       | 661-41262-02-00 | JOINT, CHOKE LEVER  | 2        |         |
| 37       | 682-41271-00-00 | KNOB, CHOKE         | 1        |         |
| 38       | 689-41273-00-00 | GROMMET             | 1        |         |
| 39       | 697-41217-01-00 | ROD, ACCEL. LEVER   | 1        |         |

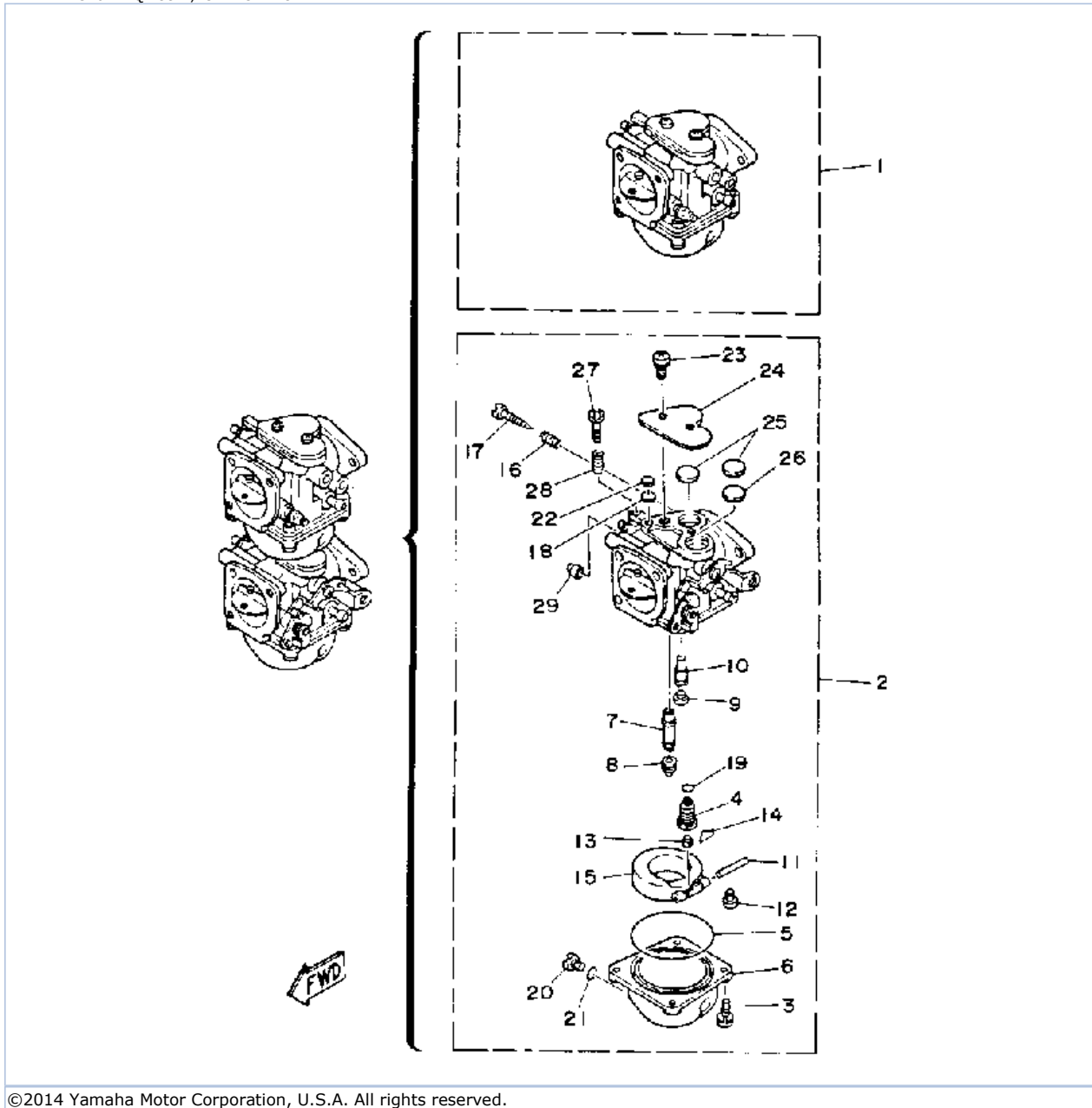
## Part Notes

C40ELRQ 1992 / INTAKE

| PART NUMBER    |                                                                                     | NOTE TEXT                                                                                          |
|----------------|-------------------------------------------------------------------------------------|----------------------------------------------------------------------------------------------------|
| 92990-06600-00 |  | OEM: This part number is among the Top 100 Most Popular Marine Maintenance Parts as of March 2014. |
| 92990-06600-00 |  | OEM: This part number is among the Top 100 Most Popular Marine Maintenance Parts as of March 2014. |

©2014 Yamaha Motor Corporation, U.S.A. All rights reserved.

C40ELRQ 1992 / CARBURETOR



©2014 Yamaha Motor Corporation, U.S.A. All rights reserved.

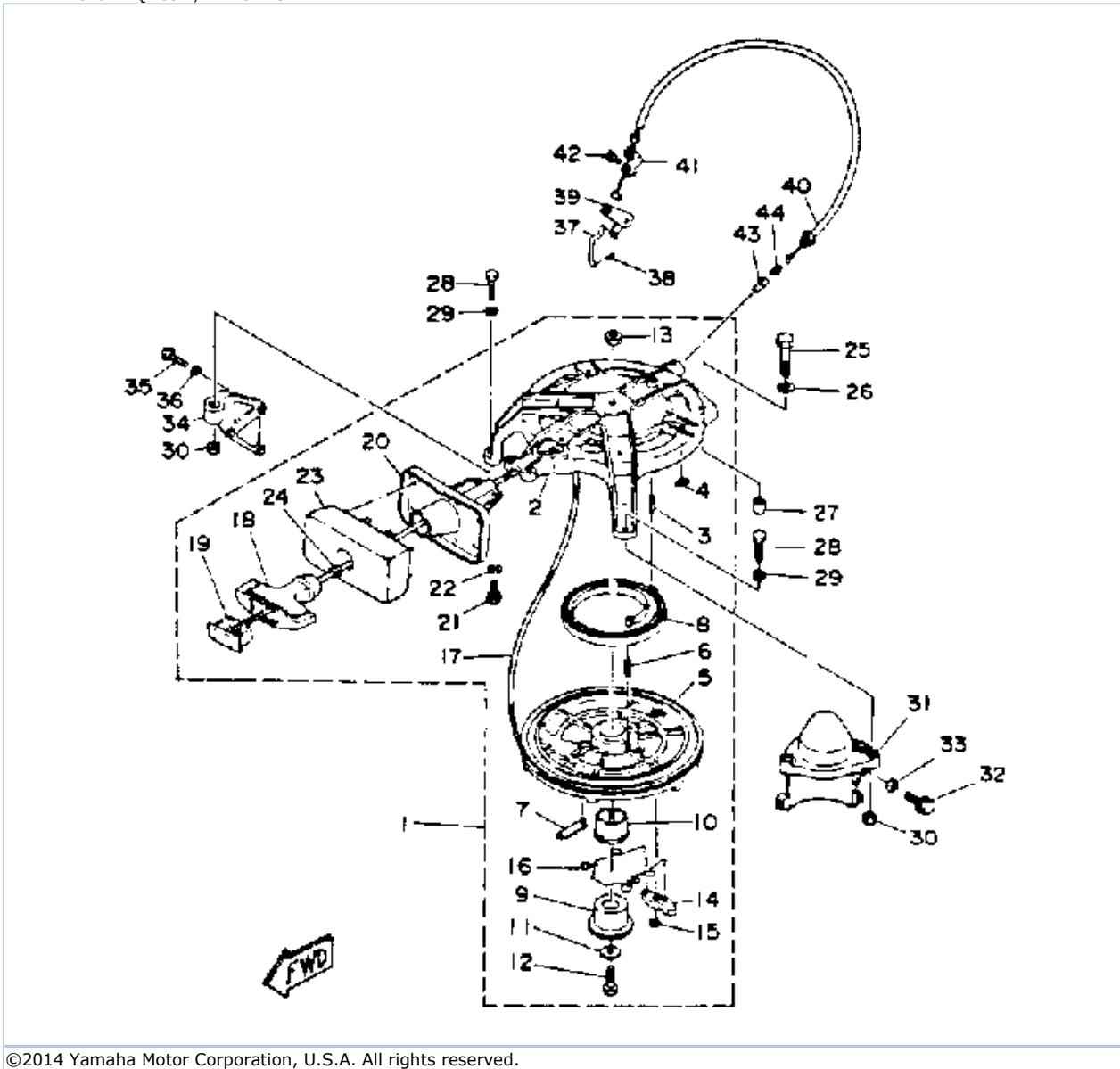


## Part List

C40ELRQ 1992 / CARBURETOR

| REF<br>-<br>NO | PART<br>NUMBER  | PART NAME              | QUANTITY | REMARKS |
|----------------|-----------------|------------------------|----------|---------|
| 1              | 6E9-14301-02-00 | CARBURETOR ASSEMBLY 1  | 1        |         |
| 2              | 6E9-14302-02-00 | CARBURETOR ASSEMBLY 2  | 1        |         |
| 3              | 97980-04114-00  | .SCREW, WITH WASHER    | 8        |         |
| 4              | 6H3-14590-00-00 | .NEEDLE VALVE ASSEMBLY | 2        |         |
| 5              | 676-14984-00-00 | .GASKET, FLOAT CHAMBER | 2        |         |
| 6              | 688-14980-00-00 | .BODY, FLOAT CHAMBER   | 2        |         |
| 7              | 6E9-14947-00-00 | .JET, NEEDLE           | 2        |         |
| 8              | 676-14943-41-00 | .JET, MAIN (#170)      | 2        |         |
| 9              | 676-14966-00-00 | .CAP                   | 2        |         |
| 10             | 6E9-14948-17-00 | .JET (#75)             | 2        |         |
| 11             | 688-14548-00-00 | .PIN, FLOAT ARM        | 2        |         |
| 12             | 98580-04008-00  | .SCREW, PAN HEAD       | 2        |         |
| 13             | 676-14186-00-00 | .PIN, FLOAT            | 2        |         |
| 14             | 663-14159-00-00 | .CLIP                  | 2        |         |
| 15             | 676-14985-01-00 | .FLOAT                 | 2        |         |
| 16             | 679-14555-00-00 | .SPRING                | 2        |         |
| 17             | 692-14923-00-00 | .SCREW, PILOT          | 2        |         |
| 18             | 663-14527-00-00 | .PLATE                 | 2        |         |
| 19             | 93210-04228-00  | .O-RING                | 2        |         |
| 20             | 6H3-14992-00-00 | .SCREW, DRAIN          | 2        |         |
| 21             | 93210-04230-00  | .O-RING                | 2        |         |
| 22             | 663-14126-00-00 | .GASKET                | 2        |         |
| 23             | 97980-05310-00  | .SCREW, WITH WASHER    | 4        |         |
| 24             | 688-14572-01-00 | .PLATE, STAY           | 2        |         |
| 25             | 688-14126-00-00 | .GASKET                | 4        |         |
| 26             | 688-14527-00-00 | .PLATE                 | 2        |         |
| 27             | 663-14523-00-00 | .SCREW, STOP           | 1        |         |
| 28             | 90501-10326-00  | .SPRING, COMPRESSION   | 1        |         |
| 29             | 6H2-14578-00-00 | .COLLAR                | 1        |         |

C40ELRQ 1992 / MANUAL STARTER



©2014 Yamaha Motor Corporation, U.S.A. All rights reserved.

## Part List



C40ELRQ 1992 / MANUAL STARTER

| REF<br>-<br>NO | PART<br>NUMBER  | PART NAME                 | QUANTITY | REMARKS     |
|----------------|-----------------|---------------------------|----------|-------------|
| 1              | 6R6-15710-00-EK | STARTER ASSEMBLY          | 1        |             |
| 2              | 676-15711-01-94 | .CASE, STARTER            | 1        |             |
| 3              | 91690-40020-00  | .PIN, SPRING              | 1        |             |
| 4              | 676-15773-00-00 | .STAY 3                   | 6        |             |
| 5              | 676-15714-00-94 | .DRUM, SHEAVE             | 1        |             |
| 6              | 91690-40020-00  | .PIN, SPRING              | 1        |             |
| 7              | 676-15799-01-00 | .CLIP                     | 1        |             |
| 8              | 90510-09M00-00  | .SPRING, SPIRAL           | 1        |             |
| 9              | 676-15717-00-00 | .SHAFT, STARTER           | 1        |             |
| 10             | 90386-35M01-00  | .BUSH                     | 1        |             |
| 11             | 90201-08309-00  | .WASHER, PLATE            | 1        |             |
| 12             | 97013-08025-00  | .BOLT                     | 1        |             |
| 13             | 95333-08600-00  | .NUT                      | 1        |             |
| 14             | 676-15741-03-00 | .PAWL, DRIVE              | 1        |             |
| 15             | 93430-06M02-00  | .CIRCLIP                  | 1        |             |
| 16             | 676-15705-00-00 | .SPRING, DRIVE PAWL       | 1        |             |
| 17             | 90890-44373-00  | .ROPE, STARTER            | 1        |             |
| 18             | 689-15755-01-00 | .HANDLE, STARTER          | 1        |             |
| 19             | 6F5-15779-02-00 | .COVER                    | 1        |             |
| 20             | 6R6-15758-00-EK | .GUIDE, ROPE              | 1        |             |
| 21             | 97395-06016-00  | .BOLT, HEX                | 2        |             |
| 22             | 92990-06600-00  | .WASHER, PLATE            | 2        |             |
| 23             | 6A0-15762-00-00 | .SEAL, RUBBER 2           | 1        |             |
| 24             | 6A0-15789-00-00 | .DAMPER                   | 1        |             |
| 25             | 97395-08040-00  | BOLT                      | 1        |             |
| 26             | 92990-08100-00  | WASHER, SPRING            | 1        |             |
| 27             | 99510-12016-00  | PIN, DOWEL                | 1        |             |
| 28             | 97395-06030-00  | BOLT                      | 2        |             |
| 29             | 92995-06100-00  | WASHER, SPRING            | 2        |             |
| 30             | 95380-06600-00  | NUT, HEXAGON              | 2        |             |
| 31             | 6E9-15771-40-94 | STAY 1                    | 1        | UR C40ER/PR |
| 31             | 6E9-15771-00-94 | STAY 1                    | 1        | UR C40MH    |
| 32             | 90105-08M22-00  | BOLT, FLANGE              | 3        | UR C40ER/PR |
| 32             | 97313-08030-00  | BOLT                      | 3        | UR C40MH    |
| 33             | 92990-08600-00  | ..WASHER, PLATE           | 3        | UR C40MH    |
| 33             | 92990-08100-00  | WASHER, SPRING            | 3        | UR C40ER/PR |
| 34             | 676-15772-00-94 | STAY 2                    | 1        |             |
| 35             | 97313-06025-00  | BOLT                      | 3        |             |
| 36             | 92990-06600-00  | WASHER, PLATE             | 3        |             |
| 37             | 676-15747-01-00 | LINK                      | 1        |             |
| 38             | 91490-16010-00  | PIN. COTTER               | 1        |             |
| 39             | 676-15746-00-00 | ARM                       | 1        |             |
| 40             | 676-15770-00-00 | CABLE COMP., STARTER STOP | 1        |             |
| 41             | 6A0-15774-00-00 | STAY 4                    | 1        |             |
| 42             | 97013-06012-00  | BOLT                      | 1        |             |
| 43             | 656-15748-00-00 | PLUNGER, STARTER STOP     | 1        |             |
| 44             | 90501-10227-00  | SPRING, COMPRESSION       | 1        |             |

## Part Notes

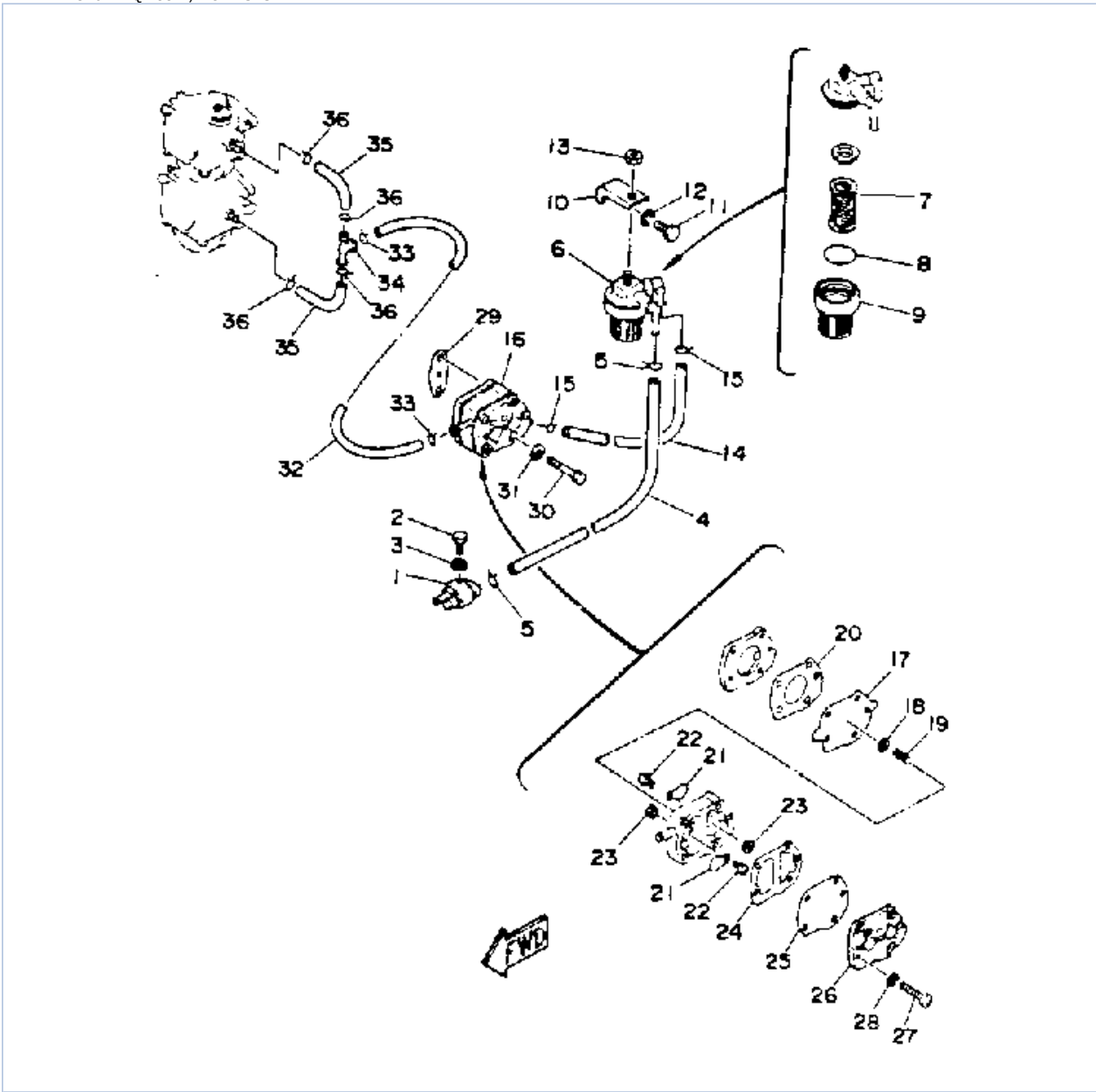
C40ELRQ 1992 / MANUAL STARTER

| PART NUMBER    | NOTE TEXT                                                                                          |
|----------------|----------------------------------------------------------------------------------------------------|
| 92990-06600-00 | OEM: This part number is among the Top 100 Most Popular Marine Maintenance Parts as of March 2014. |

|                |                                                                                   |                                                                                                    |
|----------------|-----------------------------------------------------------------------------------|----------------------------------------------------------------------------------------------------|
|                |  |                                                                                                    |
| 92990-06600-00 |  | OEM: This part number is among the Top 100 Most Popular Marine Maintenance Parts as of March 2014. |

©2014 Yamaha Motor Corporation, U.S.A. All rights reserved.

C40ELRQ 1992 / FUEL SYSTEM



©2014 Yamaha Motor Corporation, U.S.A. All rights reserved.




## Part List

C40ELRQ 1992 / FUEL SYSTEM

| REF - NO | PART NUMBER     | PART NAME               | QUANTITY | REMARKS |
|----------|-----------------|-------------------------|----------|---------|
| 1        | 6G1-24304-02-00 | FUEL PIPE JOINT COMP. 1 | 1        |         |
| 2        | 97395-06020-00  | BOLT, HEXAGON           | 1        |         |
| 3        | 92990-06600-00  | WASHER, PLATE           | 1        |         |
| 4        | 90445-09252-00  | HOSE                    | 1        |         |
| 5        | 90467-08004-00  | CLIP                    | 2        |         |
| 6        | 655-24560-01-00 | FILTER ASSEMBLY         | 1        |         |
| 7        | 6F5-24563-00-00 | .ELEMENT, FILTER        | 1        |         |
| 8        | 93210-37M25-00  | .O-RING                 | 1        |         |
| 9        | 655-24521-01-00 | .CUP, FILTER            | 1        |         |
| 10       | 648-24566-01-00 | BRACKET, FILTER         | 1        |         |
| 11       | 97313-06016-00  | BOLT, HEXAGON           | 1        |         |
| 12       | 92995-06100-00  | WASHER, SPRING          | 1        |         |
| 13       | 95380-08600-00  | NUT                     | 1        |         |
| 14       | 676-24311-00-00 | PIPE, FUEL 1            | 1        |         |
| 15       | 90467-08004-00  | CLIP                    | 2        |         |
| 16       | 6A0-24410-05-00 | FUEL PUMP ASSEMBLY      | 1        |         |
| 17       | 648-24411-00-00 | .DIAPHRAGM              | 1        |         |
| 18       | 648-24424-00-00 | .SEAT, SPRING           | 1        |         |
| 19       | 648-24423-00-00 | .SPRING, DIAPHRAGM      | 1        |         |
| 20       | 648-24434-01-00 | .GASKET, BODY           | 1        |         |
| 21       | 6A0-24421-01-00 | .VALVE, CHECK           | 2        |         |
| 22       | 6A0-14325-00-00 | .SCREW, PAN HEAD        | 2        |         |
| 23       | 95380-03600-00  | .NUT                    | 2        |         |
| 24       | 648-24435-02-00 | .GASKET, BODY 2         | 1        |         |
| 25       | 663-24411-00-00 | .DIAPHRAGM              | 1        |         |
| 26       | 648-24413-01-00 | .BODY 2                 | 1        |         |
| 27       | 98580-05530-00  | .SCREW, PAN HEAD        | 3        |         |
| 28       | 92990-05100-00  | .WASHER, SPRING         | 3        |         |
| 29       | 650-24431-A0-00 | GASKET, FUEL PUMP 1     | 1        |         |
| 30       | 97395-06040-00  | BOLT                    | 2        |         |
| 31       | 92990-06600-00  | WASHER, PLATE           | 2        |         |
| 32       | 6E9-24313-00-00 | PIPE 3                  | 1        |         |
| 33       | 90467-08004-00  | CLIP                    | 2        |         |
| 34       | 688-24378-00-00 | PIPE, JOINT 3           | 1        |         |
| 35       | 90445-09012-00  | HOSE (L70)              | 2        |         |
| 36       | 90467-08004-00  | CLIP                    | 4        |         |

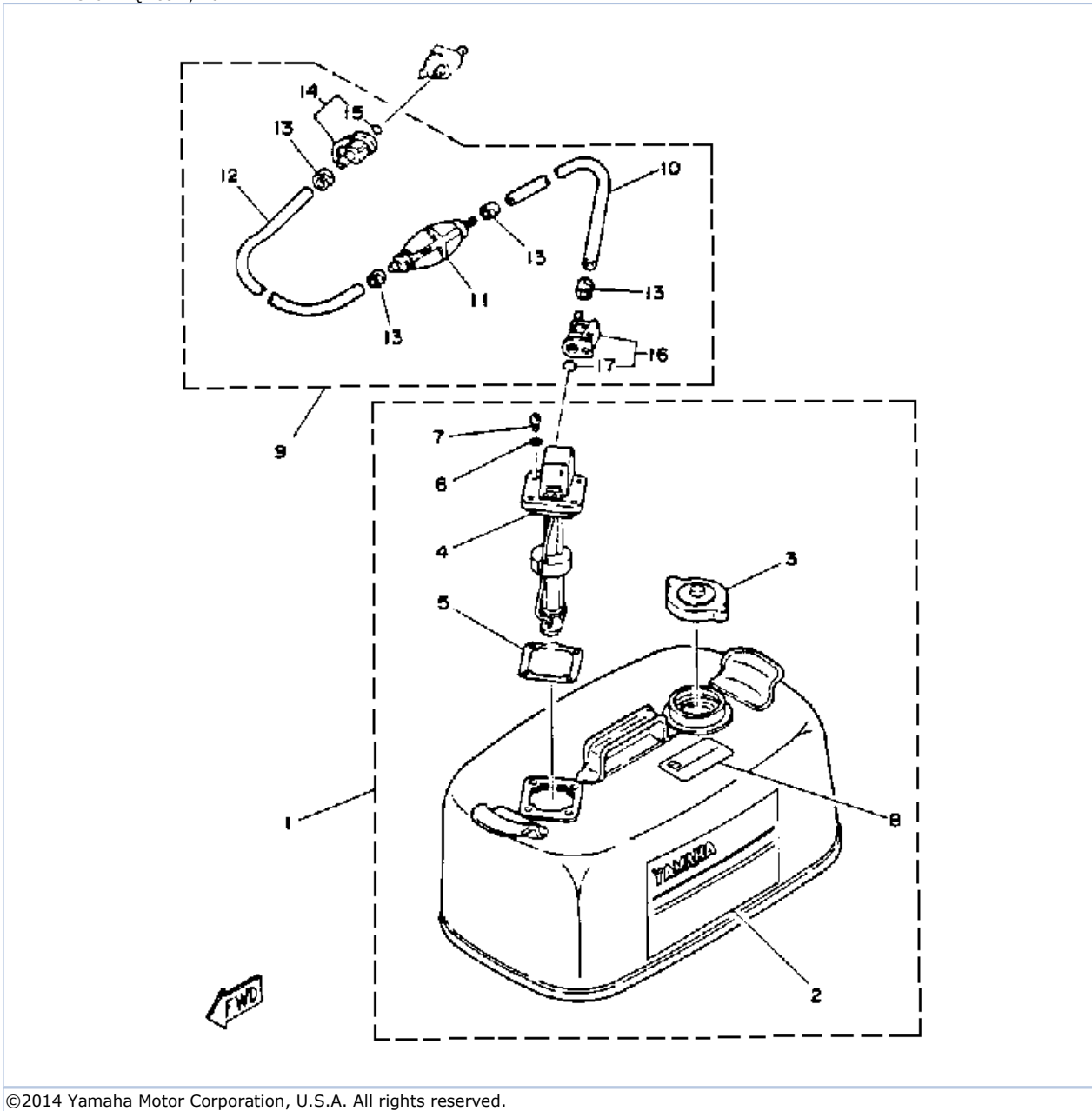
## Part Notes

C40ELRQ 1992 / FUEL SYSTEM

| PART NUMBER                                                                                         | NOTE TEXT                                                                                          |
|-----------------------------------------------------------------------------------------------------|----------------------------------------------------------------------------------------------------|
| 92990-06600-00   | OEM: This part number is among the Top 100 Most Popular Marine Maintenance Parts as of March 2014. |
| 650-24431-A0-00  | OEM: This part number is among the Top 100 Most Popular Marine Maintenance Parts as of March 2014. |
| 92990-06600-00   | OEM: This part number is among the Top 100 Most Popular Marine Maintenance Parts as of March 2014. |

©2014 Yamaha Motor Corporation, U.S.A. All rights reserved.

C40ELRQ 1992 / FUEL TANK



©2014 Yamaha Motor Corporation, U.S.A. All rights reserved.

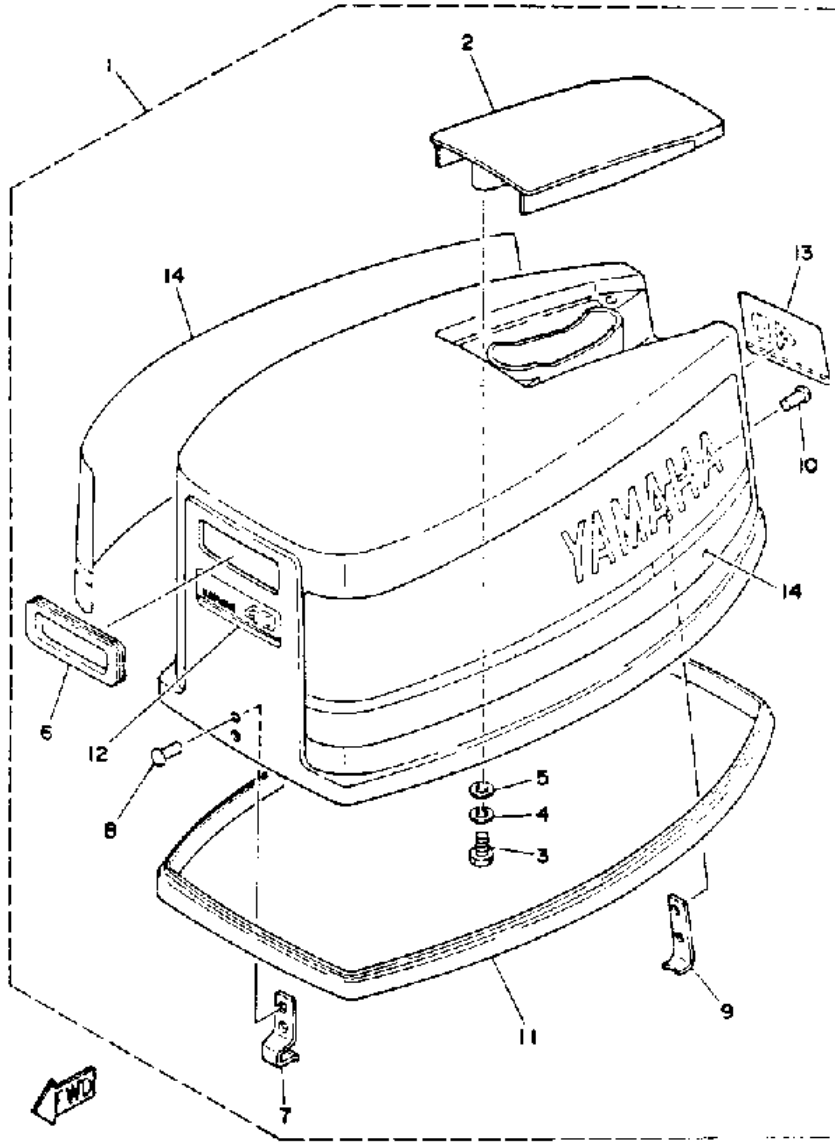
## Part List

C40ELRQ 1992 / FUEL TANK

| REF<br>-<br>NO | PART<br>NUMBER  | PART NAME               | QUANTITY | REMARKS |
|----------------|-----------------|-------------------------|----------|---------|
| 1              | 6Y1-W2420-42-24 | FUEL TANK ASSEMBLY      | 1        |         |
| 2              | 6Y1-24244-20-00 | .GRAPHIC, SIDE          | 1        |         |
| 3              | 6Y1-24610-00-00 | .CAP ASSEMBLY           | 1        |         |
| 4              | 6Y1-24260-02-00 | .FUEL METER ASSEMBLY    | 1        |         |
| 4              | 6Y1-24268-00-00 | .GASKET, FUEL METER     | 1        |         |
| 6              | 6Y1-24329-00-00 | .SEAL                   | 4        |         |
| 7              | 98586-05016-00  | .SCREW, PAN HEAD        | 4        |         |
| 8              | 6Y1-24255-40-00 | .GRAPHIC, FUEL TNK 8    | 1        |         |
| 9              | 6Y1-24306-51-00 | FUEL PIPE COMP. 1       | 1        |         |
| 10             | 90445-11M06-00  | .HOSE (L2050)           | 1        |         |
| 11             | 6Y1-24360-51-00 | .PRIMER PUMP ASSY       | 1        |         |
| 12             | 90445-11M05-00  | .HOSE (L850)            | 1        |         |
| 13             | 650-24351-51-00 | .BAND 1                 | 4        |         |
| 14             | 6G1-24305-01-00 | .FUEL PIPE JOINT COMP 2 | 1        |         |
| 15             | 93210-08287-00  | ..O-RING                | 1        |         |
| 16             | 6Y1-24305-02-00 | .FUEL PIPE JOINT COMP 2 | 1        |         |
| 17             | 93210-08287-00  | ..O-RING                | 1        |         |



C40ELRQ 1992 / TOP COWLING



©2014 Yamaha Motor Corporation, U.S.A. All rights reserved.


## Part List

C40ELRQ 1992 / TOP COWLING

| REF<br>-<br>NO | PART<br>NUMBER  | PART NAME            | QUANTITY | REMARKS |
|----------------|-----------------|----------------------|----------|---------|
| 1              | 6R6-42610-L0-EK | TOP COWLING ASSEMBLY | 1        |         |
| 2              | 6A0-42613-00-EK | .MOLDING, AIR DUCT   | 1        |         |
| 3              | 97395-06016-00  | .BOLT, HEX           | 3        |         |
| 4              | 92995-06100-00  | .WASHER, SPRING      | 3        |         |
| 5              | 92990-06600-00  | .WASHER, PLATE       | 3        |         |
| 6              | 6A0-15761-00-00 | .SEAL, RUBBER 1      | 1        |         |
| 7              | 6E9-42651-01-00 | .HOOK                | 1        |         |
| 8              | 90266-04M04-00  | .RIVET               | 2        |         |
| 9              | 6A0-42652-00-00 | .HOOK                | 1        |         |
| 10             | 90266-04M01-00  | .RIVET               | 2        |         |
| 11             | 6E9-42615-00-00 | .SEAL                | 1        |         |
| 12             | 6J4-42677-20-00 | .GRAPHIC, FRONT      | 1        |         |
| 13             | 6J4-42678-20-00 | .GRAPHIC, REAR       | 1        |         |
| 14             | 6R6-W0070-L0-00 | .GRAPHIC SET         | 1        |         |

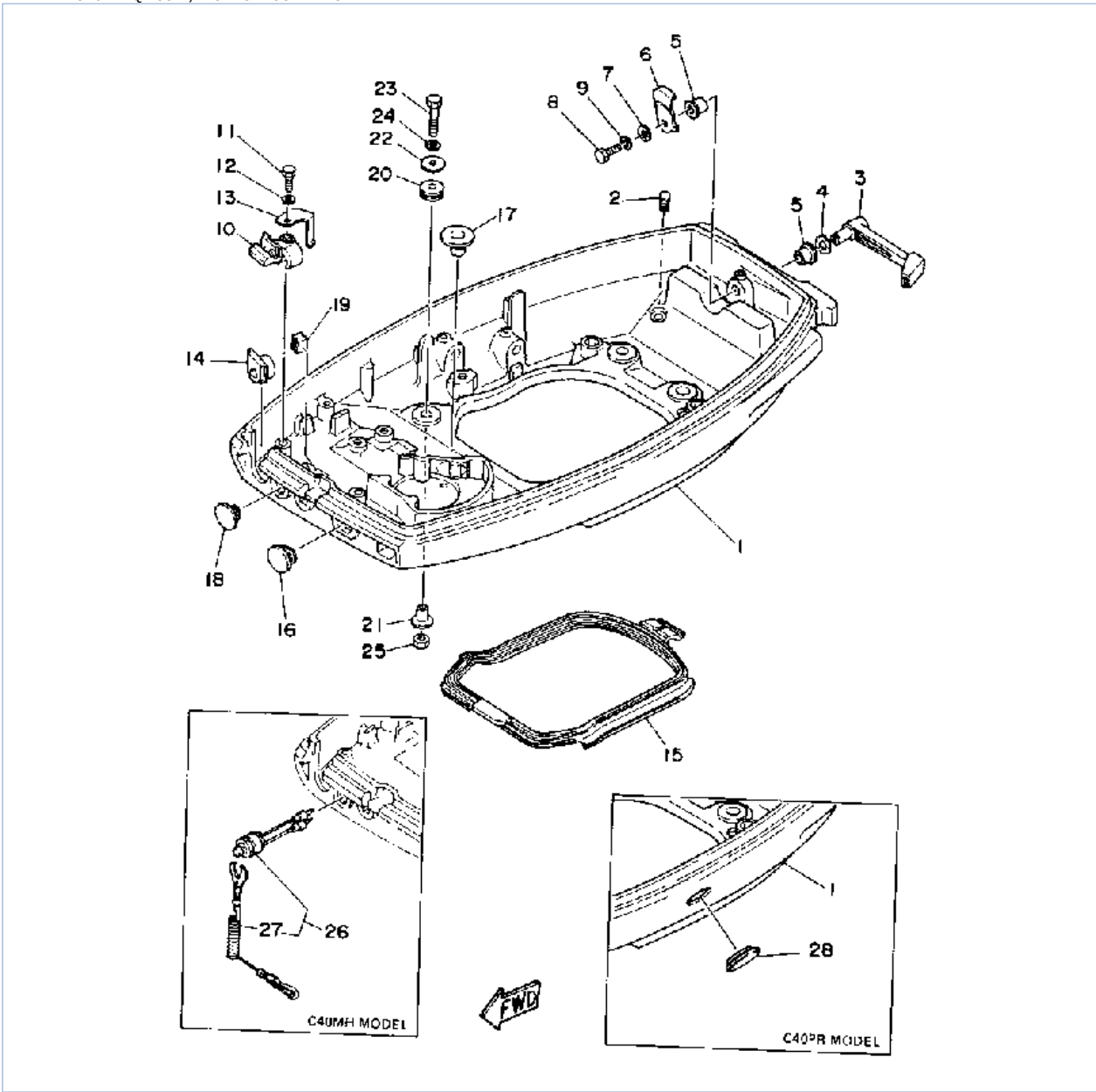
## Part Notes

C40ELRQ 1992 / TOP COWLING

| PART NUMBER                                                                                      | NOTE TEXT                                                                                          |
|--------------------------------------------------------------------------------------------------|----------------------------------------------------------------------------------------------------|
| 92990-06600-00  | OEM: This part number is among the Top 100 Most Popular Marine Maintenance Parts as of March 2014. |

©2014 Yamaha Motor Corporation, U.S.A. All rights reserved.

C40ELRQ 1992 / BOTTOM COWLING



©2014 Yamaha Motor Corporation, U.S.A. All rights reserved.




## Part List

C40ELRQ 1992 / BOTTOM COWLING

| REF - NO | PART NUMBER     | PART NAME                   | QUANTITY | REMARKS     |
|----------|-----------------|-----------------------------|----------|-------------|
| 1        | 6A0-42711-02-EK | COWLING, BOTTOM             | 1        | UR C40MH/ER |
| 1        | 6R6-42711-00-EK | COWLING, BOTTOM             | 1        | UR C40PR    |
| 2        | 676-24376-01-00 | PIPE, JOINT 1               | 1        |             |
| 3        | 676-42815-00-EK | LEVER, CLAMP                | 1        |             |
| 4        | 90206-12052-00  | WASHER, WAVE                | 1        |             |
| 5        | 90386-12069-00  | BUSH                        | 2        |             |
| 6        | 682-42816-00-00 | LEVER, CLAMP                | 1        |             |
| 7        | 90201-06M02-00  | WASHER, PLATE               | 1        |             |
| 8        | 97313-06010-00  | BOLT, HEXAGON               | 1        |             |
| 9        | 92995-06100-00  | WASHER, SPRING              | 1        |             |
| 10       | 6A0-42738-00-94 | PLATE, FITTING              | 1        |             |
| 11       | 97313-06030-00  | BOLT                        | 1        |             |
| 12       | 92990-06600-00  | WASHER, PLATE               | 1        |             |
| 13       | 90465-06M15-00  | CLAMP                       | 1        | C40ER/PR    |
| 14       | 6A0-42726-00-00 | GROMMET                     | 1        | UR C40ER    |
| 14       | 6A0-42724-00-00 | GROMMET                     | 1        | UR C40MH    |
| 14       | 6E9-42724-00-00 | GROMMET                     | 1        | UR C40PR    |
| 15       | 6E9-42716-00-00 | RUBBER, SEAL 1              | 1        |             |
| 16       | 676-42726-00-00 | GROMMET                     | 1        |             |
| 17       | 676-42727-00-00 | GROMMET                     | 1        |             |
| 18       | 90480-17165-00  | GROMMET                     | 1        | C40ER/PR    |
| 19       | 676-42724-40-00 | GROMMET                     | 1        | UR C40ER/PR |
| 19       | 676-26326-00-00 | GROMMET                     | 1        | UR C40MH    |
| 20       | 90480-09M21-00  | GROMMET                     | 4        |             |
| 21       | 90387-06M41-00  | COLLAR                      | 4        |             |
| 22       | 90201-06416-00  | WASHER, PLATE               | 4        |             |
| 23       | 97313-06030-00  | BOLT                        | 4        |             |
| 24       | 92990-06600-00  | WASHER, PLATE               | 4        |             |
| 25       | 95380-06600-00  | NUT, HEXAGON                | 4        |             |
| 26       | 6E9-82575-01-00 | ENGINE STOP SWITCH ASSEMBLY | 1        | C40MH       |
| 27       | 682-82556-00-00 | .LANYARD, STOP SWITCH       | 1        | C40MH       |
| 28       | 6E9-42726-00-00 | GROMMET                     | 1        | C40PR       |

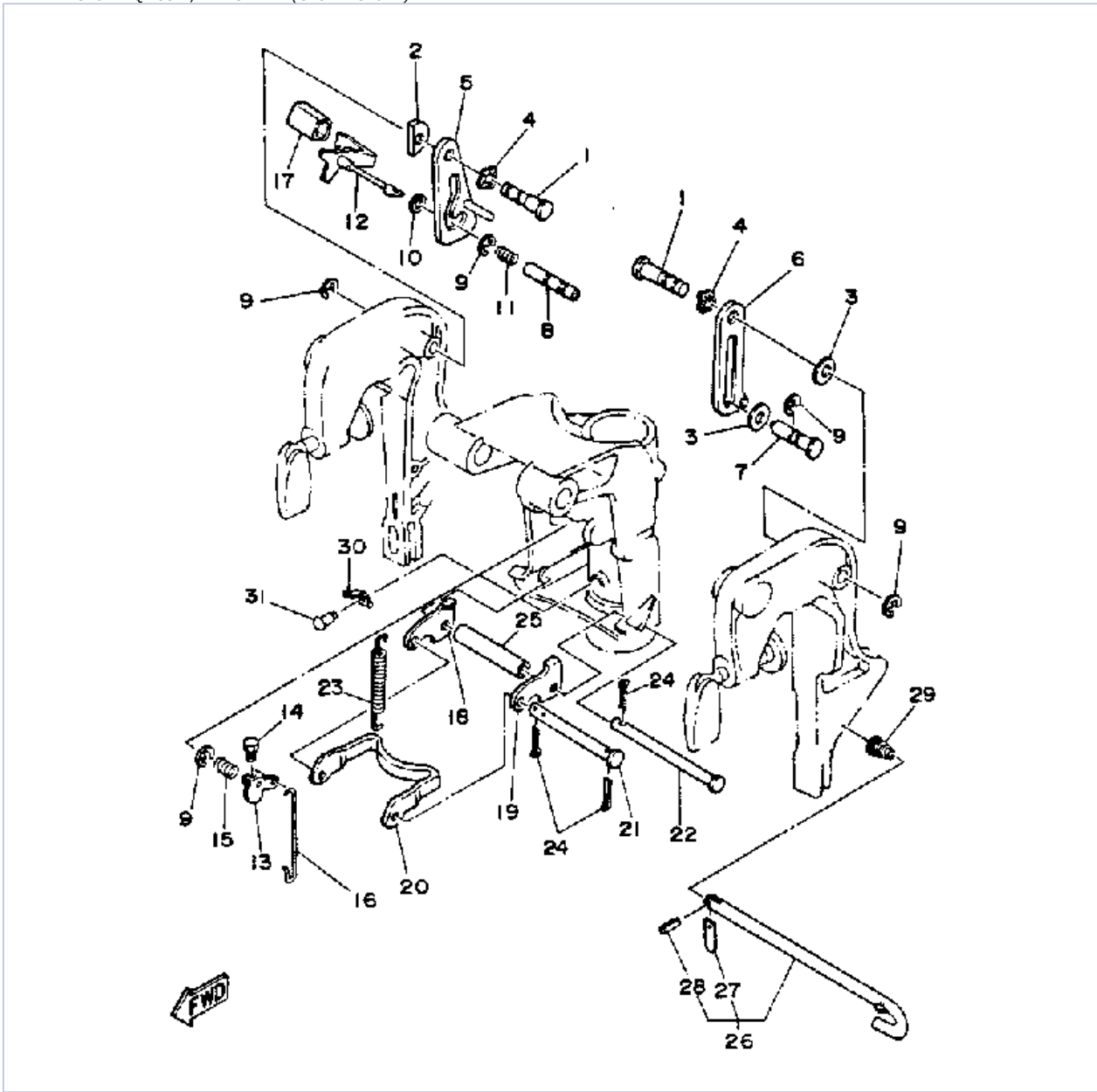
## Part Notes

C40ELRQ 1992 / BOTTOM COWLING

| PART NUMBER     |                                                                                     | NOTE TEXT                                                                                          |
|-----------------|-------------------------------------------------------------------------------------|----------------------------------------------------------------------------------------------------|
| 92990-06600-00  |  | OEM: This part number is among the Top 100 Most Popular Marine Maintenance Parts as of March 2014. |
| 92990-06600-00  |  | OEM: This part number is among the Top 100 Most Popular Marine Maintenance Parts as of March 2014. |
| 682-82556-00-00 |  | OEM: This part number is among the Top 100 Most Popular Marine Maintenance Parts as of March 2014. |

©2014 Yamaha Motor Corporation, U.S.A. All rights reserved.

C40ELRQ 1992 / BRACKET 1 (C40MH C40ER)



©2014 Yamaha Motor Corporation, U.S.A. All rights reserved.

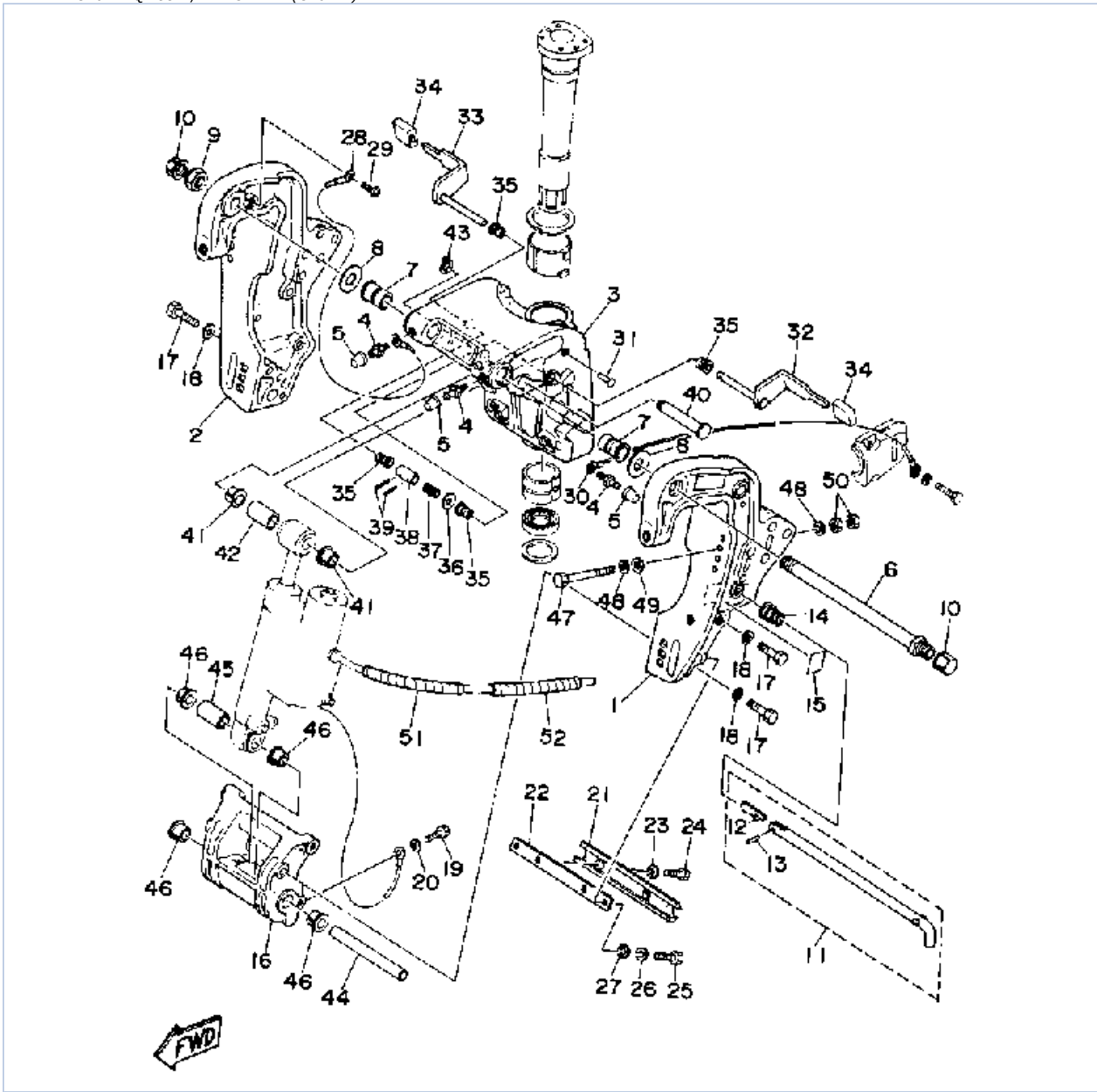
## Part List

C40ELRQ 1992 / BRACKET 1 (C40MH C40ER)

| REF<br>-<br>NO | PART<br>NUMBER  | PART NAME                           | QUANTITY | REMARKS |
|----------------|-----------------|-------------------------------------|----------|---------|
| 1              | 676-43111-03-EK | BRACKET, CLAMP                      | 1        |         |
| 2              | 648-43114-01-00 | PAD, TRANSOM CLAMP                  | 2        |         |
| 3              | 676-43116-00-00 | SCREW, TRANSOM CLAMP                | 2        |         |
| 4              | 663-43118-00-EK | HANDLE, TRANSOM<br>CLPTRANSOM CLAMP | 2        |         |
| 5              | 90243-04007-00  | PIN                                 | 2        |         |
| 6              | 676-43112-04-EK | BRACKET, CLAMP                      | 1        |         |
| 7              | 90116-08M00-00  | BOLT, STUD                          | 1        |         |
| 8              | 90387-08M02-00  | COLLAR                              | 1        |         |
| 9              | 92990-08100-00  | WASHER, SPRING                      | 2        |         |
| 10             | 95380-08600-00  | NUT                                 | 2        |         |
| 11             | 676-43311-01-EK | BRACKET, SWIVEL                     | 1        |         |
| 12             | 93700-06M03-00  | NIPPLE, GREASE                      | 4        |         |
| 13             | 663-45119-00-00 | CAP, GREASE NIPPLE                  | 4        |         |
| 14             | 648-42528-00-00 | PLATE, FRICTION                     | 1        |         |
| 15             | 90501-18M00-00  | SPRING, COMPRESSION                 | 1        |         |
| 16             | 676-43373-00-00 | SEAL, DAMPER                        | 1        |         |
| 17             | 97395-08025-00  | BOLT                                | 1        |         |
| 18             | 92990-08600-00  | ..WASHER, PLATE                     | 1        |         |
| 19             | 6J8-43131-01-00 | BOLT, CLAMP BRACKET                 | 1        |         |
| 20             | 90386-22M15-00  | BUSH                                | 2        |         |
| 21             | 90201-22428-00  | WASHER, PLATE                       | 2        |         |
| 22             | 90185-22043-00  | NUT, SELF-LOCKING                   | 2        |         |
| 23             | 6J8-43113-01-00 | PLATE, CLAMP BRACKET                | 1        |         |
| 24             | 6G5-43145-00-00 | CAP, CLAMP BRACKET                  | 2        |         |
| 25             | 676-42511-01-EK | BRACKET, STEERING                   | 1        |         |
| 26             | 97395-08030-00  | BOLT                                | 2        |         |
| 27             | 92990-08100-00  | WASHER, SPRING                      | 2        |         |
| 28             | 93608-12063-00  | PIN, DOWEL                          | 2        |         |
| 29             | 97090-08035-00  | BOLT                                | 2        |         |
| 30             | 92990-08100-00  | WASHER, SPRING                      | 2        |         |
| 31             | 676-42521-00-94 | SHAFT, STEERING PIVOT               | 1        |         |
| 32             | 90209-52M00-00  | WASHER                              | 1        |         |
| 33             | 90201-44M01-00  | WASHER, PLATE                       | 1        |         |
| 34             | 90386-52M02-00  | BUSH                                | 1        |         |
| 35             | 90386-44M03-00  | BUSH                                | 1        |         |
| 36             | 93109-44M00-00  | OIL SEAL                            | 1        |         |
| 37             | 676-44551-00-EK | HOUSING, LOWER MOUNT<br>RUBBER      | 1        |         |
| 38             | 676-44552-00-EK | HOUSING, LOWER MOUNT<br>RUBBER      | 1        |         |
| 39             | 676-44553-00-EK | COVER, LOWER MOUNT                  | 2        |         |
| 40             | 679-44555-00-94 | MOUNT DAMPER, LOWER<br>SIDE         | 2        |         |
| 41             | 97395-08030-00  | BOLT                                | 4        |         |
| 42             | 92990-08100-00  | WASHER, SPRING                      | 4        |         |
| 43             | 97395-08045-00  | BOLT                                | 4        |         |
| 44             | 92995-08100-00  | WASHER                              | 4        |         |
| 45             | 90101-12M01-00  | BOLT                                | 2        |         |
| 46             | 90201-12M16-00  | WASHER, PLATE                       | 4        |         |
| 47             | 90202-21100-00  | WASHER, PLATE                       | 2        |         |
| 48             | 90201-13M11-00  | WASHER, PLATE                       | 2        |         |
| 49             | 95380-12800-00  | NUT, CROWN                          | 2        |         |
| 50             | 676-44575-00-00 | DAMPER, LOWER MOUNT<br>RUBBER       | 1        |         |

|    |                 |                               |   |  |
|----|-----------------|-------------------------------|---|--|
| 51 | 679-44514-00-94 | MOUNT DAMPER, UPPER<br>SIDE   | 2 |  |
| 52 | 90101-08M02-00  | BOLT                          | 2 |  |
| 53 | 90201-08M08-00  | WASHER, PLATE                 | 2 |  |
| 54 | 90201-09M00-00  | WASHER, PLATE                 | 2 |  |
| 55 | 95780-08300-00  | ..NUT, FLANGE                 | 2 |  |
| 56 | 676-44533-00-00 | DAMPER, UPPER MOUNT<br>RUBBER | 1 |  |
| 57 | 676-44518-00-00 | BRACKET COMP.                 | 1 |  |
| 58 | 97395-06025-00  | BOLT                          | 2 |  |
| 59 | 95380-06600-00  | NUT, HEXAGON                  | 2 |  |
| 60 | 676-44511-00-94 | COVER, UPPER MOUNT            | 2 |  |
| 61 | 676-44512-00-94 | COVER, UPPER MOUNT            | 2 |  |
| 62 | 97395-08050-00  | BOLT                          | 4 |  |
| 63 | 92990-08600-00  | ..WASHER, PLATE               | 4 |  |
| 64 | 95380-08600-00  | NUT                           | 4 |  |
| 65 | 676-44521-00-00 | SEAL                          | 2 |  |
| 66 | 676-44522-01-00 | SEAL                          | 2 |  |
| 67 | 90460-42M00-00  | CLAMP, HOSE                   | 2 |  |
| 68 | 90101-10M58-00  | BOLT                          | 4 |  |
| 69 | 92995-10600-00  | WASHER                        | 8 |  |
| 70 | 90201-12426-00  | WASHER, PLATE                 | 4 |  |
| 71 | 95380-10600-00  | NUT                           | 8 |  |

C40ELRQ 1992 / BRACKET 1 (C40PR)



©2014 Yamaha Motor Corporation, U.S.A. All rights reserved.





## Part List

C40ELRQ 1992 / BRACKET 1 (C40PR )

| REF<br>-<br>NO | PART<br>NUMBER  | PART NAME              | QUANTITY | REMARKS |
|----------------|-----------------|------------------------|----------|---------|
| 1              | 6E9-43111-01-EK | BRACKET, CLAMP         | 1        |         |
| 2              | 697-43112-03-EK | BRACKET, CLAMP         | 1        |         |
| 3              | 6E9-43311-00-EK | BRACKET, SWIVEL        | 1        |         |
| 4              | 93700-06M03-00  | NIPPLE, GREASE         | 3        |         |
| 5              | 663-45119-00-00 | CAP, GREASE NIPPLE     | 3        |         |
| 6              | 688-43131-03-00 | BOLT, CLAMP BRACKET    | 1        |         |
| 7              | 90386-22M15-00  | BUSH                   | 2        |         |
| 8              | 90201-22M67-00  | WASHER, PLATE          | 2        |         |
| 9              | 90185-22043-00  | NUT, SELF-LOCKING      | 2        |         |
| 10             | 6G5-43145-00-00 | CAP, CLAMP BRACKET     | 2        |         |
| 11             | 697-43160-00-00 | TILT ROD ASSEMBLY      | 1        |         |
| 12             | 688-43165-00-00 | .PLATE, TILT LOCK      | 1        |         |
| 13             | 91690-30012-00  | .PIN, SPRING           | 1        |         |
| 14             | 90502-20M03-00  | SPRING, CONICAL        | 1        |         |
| 15             | 6E9-43155-00-00 | MARK 1                 | 1        |         |
| 16             | 697-43128-01-EK | SPACER, CLAMP BRACKET  | 1        |         |
| 17             | 97395-10045-00  | BOLT                   | 6        |         |
| 18             | 92995-10100-00  | WASHER                 | 6        |         |
| 19             | 97395-06010-00  | BOLT                   | 1        |         |
| 20             | 92990-06600-00  | WASHER, PLATE          | 1        |         |
| 21             | 6H1-45251-02-00 | ANODE                  | 1        |         |
| 22             | 6H1-44526-00-00 | PLATE                  | 1        |         |
| 23             | 90201-06M31-00  | .WASHER, PLATE         | 2        |         |
| 24             | 97395-06012-00  | BOLT                   | 2        |         |
| 25             | 97395-06016-00  | BOLT, HEX              | 2        |         |
| 26             | 92995-06100-00  | WASHER, SPRING         | 2        |         |
| 27             | 92990-06600-00  | WASHER, PLATE          | 2        |         |
| 28             | 688-82148-00-00 | WIRE, LEAD 4           | 1        |         |
| 29             | 98580-06012-00  | SCREW, PAN HEAD        | 1        |         |
| 30             | 6H5-82127-00-00 | WIRE, LEAD 2           | 1        |         |
| 31             | 90269-03010-00  | RIVET                  | 1        |         |
| 32             | 688-43185-04-00 | LEVER, TILT STOP       | 1        |         |
| 33             | 688-43185-04-00 | LEVER, TILT STOP       | 1        |         |
| 34             | 663-43318-00-00 | COVER                  | 2        |         |
| 35             | 90386-10M16-00  | BUSH                   | 4        |         |
| 36             | 92990-10600-00  | WASHER, PLATE          | 1        |         |
| 37             | 90501-10M21-00  | SPRING, COMPRESSION    | 1        |         |
| 38             | 90387-10M38-00  | COLLAR                 | 1        |         |
| 39             | 91490-30030-00  | PIN, COTTER            | 2        |         |
| 40             | 6E5-43126-02-00 | PIN, UPPER SHOCK MOUNT | 1        |         |
| 41             | 90386-18M35-00  | BUSH                   | 2        |         |
| 42             | 90386-18M21-00  | BUSH                   | 1        |         |
| 43             | 93410-18M02-00  | CIRCLIP                | 1        |         |
| 44             | 688-43124-02-00 | PIN, LOWER SHOCK MOUNT | 1        |         |
| 45             | 90386-18M21-00  | BUSH                   | 1        |         |
| 46             | 90386-18M35-00  | BUSH                   | 4        |         |
| 47             | 90101-12M65-00  | BOLT                   | 4        |         |
| 48             | 92995-12200-00  | WASHER                 | 8        |         |
| 49             | 90201-10426-00  | WASHER, PLATE          | 4        |         |
| 50             | 95380-12600-00  | NUT                    | 8        |         |

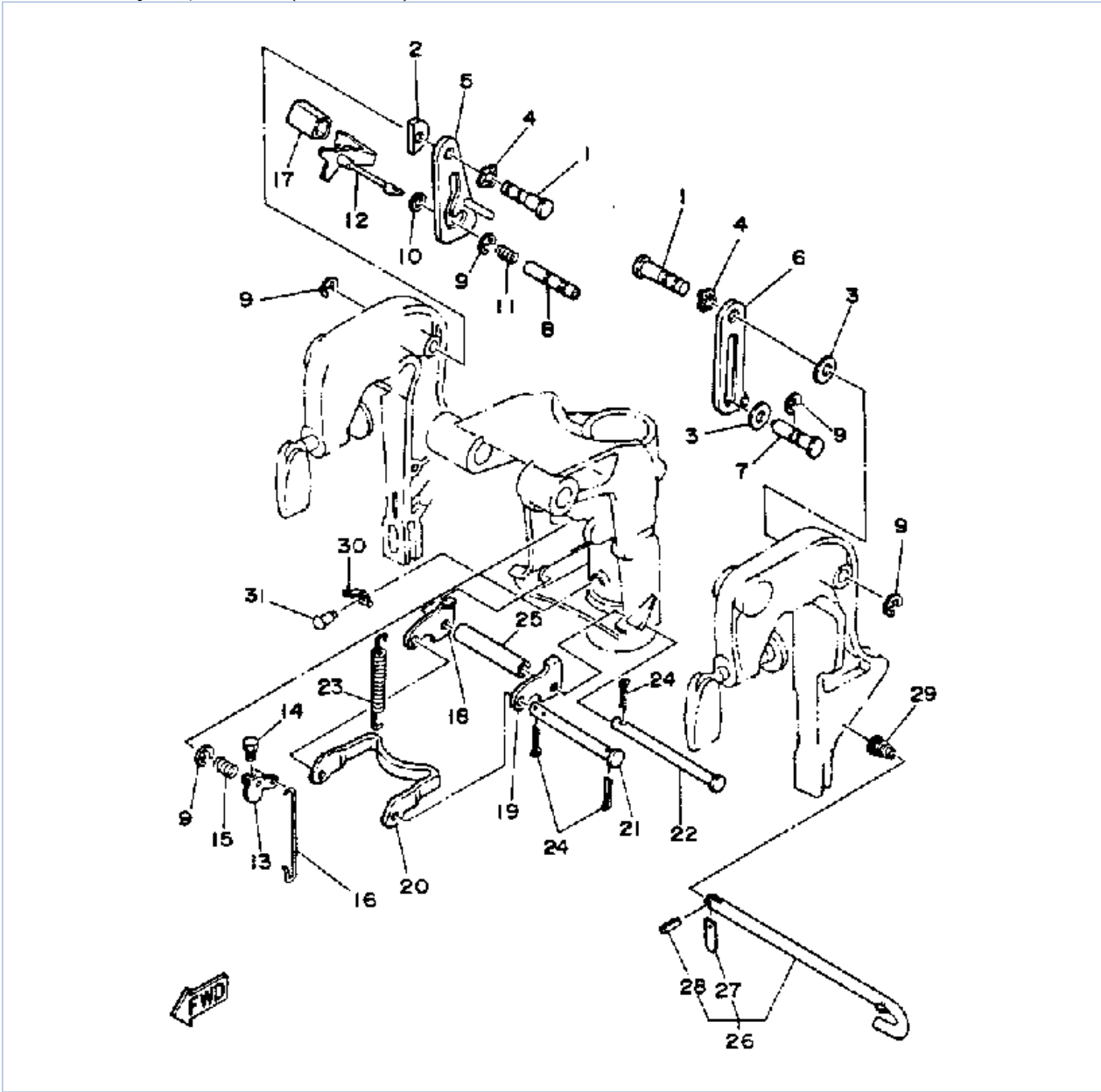
## Part Notes

C40ELRQ 1992 / BRACKET 1 (C40PR )

| PART NUMBER    |                                                                                   | NOTE TEXT                                                                                          |
|----------------|-----------------------------------------------------------------------------------|----------------------------------------------------------------------------------------------------|
| 92990-06600-00 |  | OEM: This part number is among the Top 100 Most Popular Marine Maintenance Parts as of March 2014. |
| 92990-06600-00 |  | OEM: This part number is among the Top 100 Most Popular Marine Maintenance Parts as of March 2014. |
| 92990-10600-00 |  | OEM: This part number is among the Top 100 Most Popular Marine Maintenance Parts as of March 2014. |

©2014 Yamaha Motor Corporation, U.S.A. All rights reserved.

C40ELRQ 1992 / BRACKET 2 (C40MH C40ER)



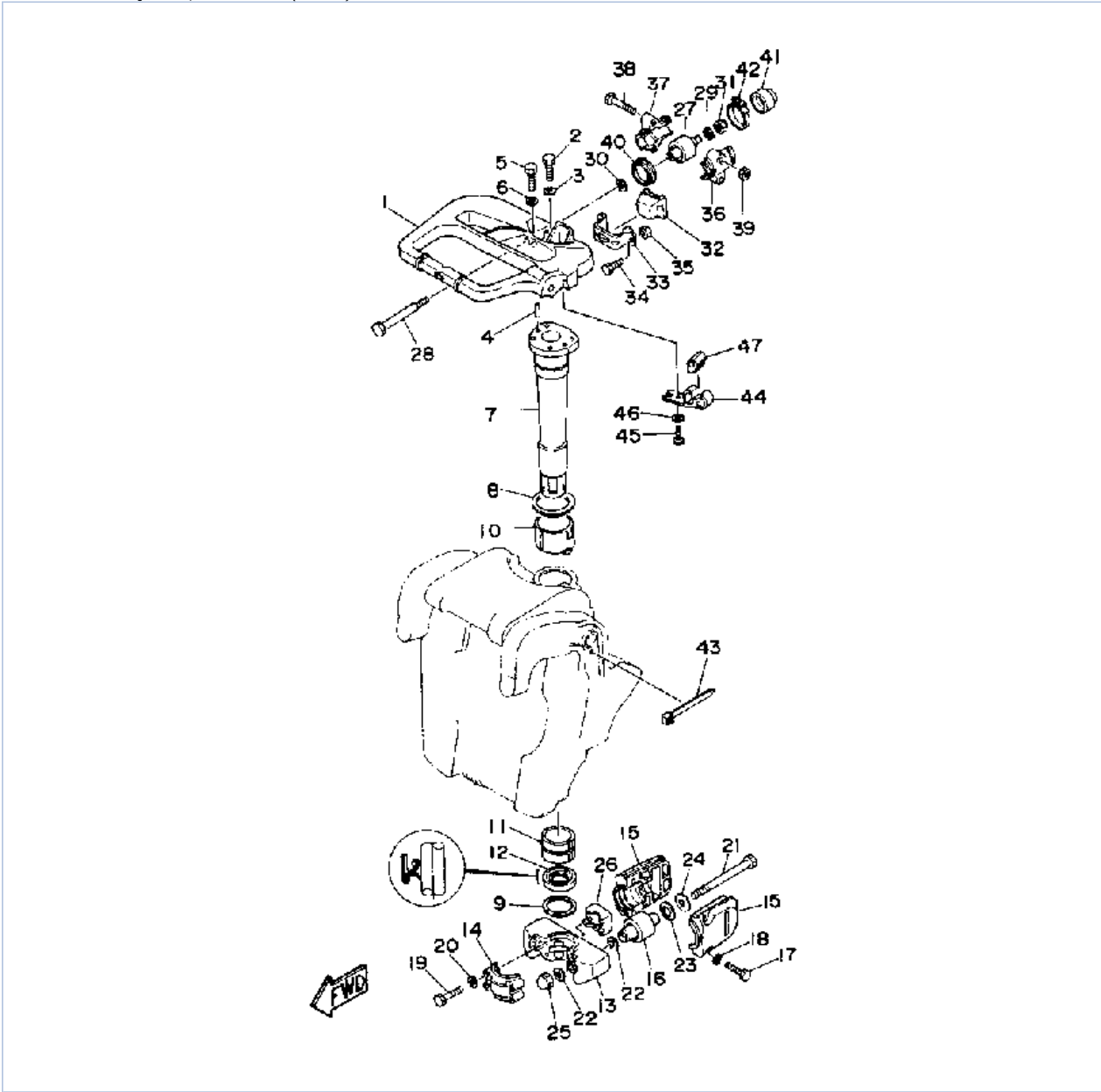
©2014 Yamaha Motor Corporation, U.S.A. All rights reserved.

## Part List

C40ELRQ 1992 / BRACKET 2 (C40MH C40ER)

| REF<br>-<br>NO | PART<br>NUMBER  | PART NAME           | QUANTITY | REMARKS |
|----------------|-----------------|---------------------|----------|---------|
| 1              | 90249-12M27-00  | PIN                 | 2        |         |
| 2              | 676-43132-00-00 | WASHER, FRICTION    | 1        |         |
| 3              | 90202-12M01-00  | WASHER, PLATE       | 2        |         |
| 4              | 90206-12M00-00  | WASHER, WAVE        | 2        |         |
| 5              | 6F5-43627-80-00 | STOPPER             | 1        |         |
| 6              | 6F5-43628-80-00 | STOPPER             | 1        |         |
| 7              | 90249-12M13-00  | PIN                 | 1        |         |
| 8              | 676-43191-00-00 | SHAFT, STOPPER      | 1        |         |
| 9              | 93430-10M00-00  | CIRCLIP             | 5        |         |
| 10             | 90202-06M00-00  | WASHER, PLATE       | 1        |         |
| 11             | 90501-14M05-00  | SPRING, COMPRESSION | 1        |         |
| 12             | 6F5-43630-80-00 | TILT LEVER ASSEMBLY | 1        |         |
| 13             | 676-43631-00-00 | LEVER, TILT         | 1        |         |
| 14             | 97395-05010-00  | BOLT                | 1        |         |
| 15             | 90508-14M00-00  | SPRING, TORSION     | 1        |         |
| 16             | 676-43616-00-00 | ROD, TILT LOCK      | 1        |         |
| 17             | 663-43318-00-00 | COVER               | 1        |         |
| 18             | 676-43614-00-00 | PLATE, TILT LOCK    | 1        |         |
| 19             | 676-43615-00-00 | PLATE, TILT LOCK    | 1        |         |
| 20             | 676-43613-00-00 | ARM, TILT LOCK      | 1        |         |
| 21             | 90249-07M01-00  | PIN                 | 1        |         |
| 22             | 90249-07M02-00  | PIN                 | 1        |         |
| 23             | 90506-30M00-00  | SPRING, TENSION     | 2        |         |
| 24             | 91490-20015-00  | PIN. COTTER         | 4        |         |
| 25             | 90387-07M04-00  | COLLAR              | 1        |         |
| 26             | 676-43160-02-00 | TILT ROD ASSY       | 1        |         |
| 27             | 676-43165-00-00 | .PLATE, TILT LOCK   | 1        |         |
| 28             | 91690-30010-00  | .PIN, SPRING        | 1        |         |
| 29             | 90502-10M04-00  | SPRING, CONICAL     | 1        |         |
| 30             | 676-43643-00-00 | SPRING              | 1        |         |
| 31             | 90269-04M00-00  | RIVET               | 1        |         |

C40ELRQ 1992 / BRACKET 2 (C40PR)



©2014 Yamaha Motor Corporation, U.S.A. All rights reserved.

## Part List


C40ELRQ 1992 / BRACKET 2 (C40PR)

| REF<br>-<br>NO | PART<br>NUMBER  | PART NAME                      | QUANTITY | REMARKS |
|----------------|-----------------|--------------------------------|----------|---------|
| 1              | 6E9-42511-00-EK | BRACKET, STEERING              | 1        |         |
| 2              | 97395-08030-00  | BOLT                           | 2        |         |
| 3              | 92990-08100-00  | WASHER, SPRING                 | 2        |         |
| 4              | 93608-12063-00  | PIN, DOWEL                     | 2        |         |
| 5              | 97090-08035-00  | BOLT                           | 2        |         |
| 6              | 92990-08100-00  | WASHER, SPRING                 | 2        |         |
| 7              | 676-42521-00-94 | SHAFT, STEERING PIVOT          | 1        |         |
| 8              | 90209-52M00-00  | WASHER                         | 1        |         |
| 9              | 90201-44M01-00  | WASHER, PLATE                  | 1        |         |
| 10             | 90386-52M02-00  | BUSH                           | 1        |         |
| 11             | 90386-44M03-00  | BUSH                           | 1        |         |
| 12             | 93109-44M00-00  | OIL SEAL                       | 1        |         |
| 13             | 676-44551-00-EK | HOUSING, LOWER MOUNT<br>RUBBER | 1        |         |
| 14             | 676-44552-00-EK | HOUSING, LOWER MOUNT<br>RUBBER | 1        |         |
| 15             | 676-44553-00-EK | COVER, LOWER MOUNT             | 2        |         |
| 16             | 679-44555-00-94 | MOUNT DAMPER, LOWER<br>SIDE    | 2        |         |
| 17             | 97395-08030-00  | BOLT                           | 4        |         |
| 18             | 92990-08100-00  | WASHER, SPRING                 | 4        |         |
| 19             | 97395-08045-00  | BOLT                           | 4        |         |
| 20             | 92995-08100-00  | WASHER                         | 4        |         |
| 21             | 90101-12M01-00  | BOLT                           | 2        |         |
| 22             | 90201-12M16-00  | WASHER, PLATE                  | 4        |         |
| 23             | 90202-21100-00  | WASHER, PLATE                  | 2        |         |
| 24             | 90201-13M11-00  | WASHER, PLATE                  | 2        |         |
| 25             | 95380-12800-00  | NUT, CROWN                     | 2        |         |
| 26             | 676-44575-00-00 | DAMPER, LOWER MOUNT<br>RUBBER  | 1        |         |
| 27             | 679-44514-00-94 | MOUNT DAMPER, UPPER<br>SIDE    | 2        |         |
| 28             | 90101-08M02-00  | BOLT                           | 2        |         |
| 29             | 90201-08M08-00  | WASHER, PLATE                  | 2        |         |
| 30             | 90201-09M00-00  | WASHER, PLATE                  | 2        |         |
| 31             | 95780-08300-00  | ..NUT, FLANGE                  | 2        |         |
| 32             | 676-44533-00-00 | DAMPER, UPPER MOUNT<br>RUBBER  | 1        |         |
| 33             | 676-44518-00-00 | BRACKET COMP.                  | 1        |         |
| 34             | 97395-06025-00  | BOLT                           | 2        |         |
| 35             | 95380-06600-00  | NUT, HEXAGON                   | 2        |         |
| 36             | 676-44511-00-94 | COVER, UPPER MOUNT             | 2        |         |
| 37             | 676-44512-00-94 | COVER, UPPER MOUNT             | 2        |         |
| 38             | 97395-08050-00  | BOLT                           | 4        |         |
| 39             | 95380-08600-00  | NUT                            | 4        |         |
| 40             | 676-44521-00-00 | SEAL                           | 2        |         |
| 41             | 676-44522-01-00 | SEAL                           | 2        |         |
| 42             | 90460-42M00-00  | CLAMP, HOSE                    | 2        |         |
| 43             | 90465-11M10-00  | CLAMP                          | 1        |         |
| 44             | 6E5-24367-01-00 | CLAMP, FUEL PIPE 2             | 1        |         |
| 45             | 90157-06M01-00  | SCREW, PAN HEAD                | 1        |         |
| 46             | 92990-06600-00  | WASHER, PLATE                  | 1        |         |
| 47             | 6E9-82361-00-00 | CLAMP, CORD                    | 1        |         |

## Part Notes

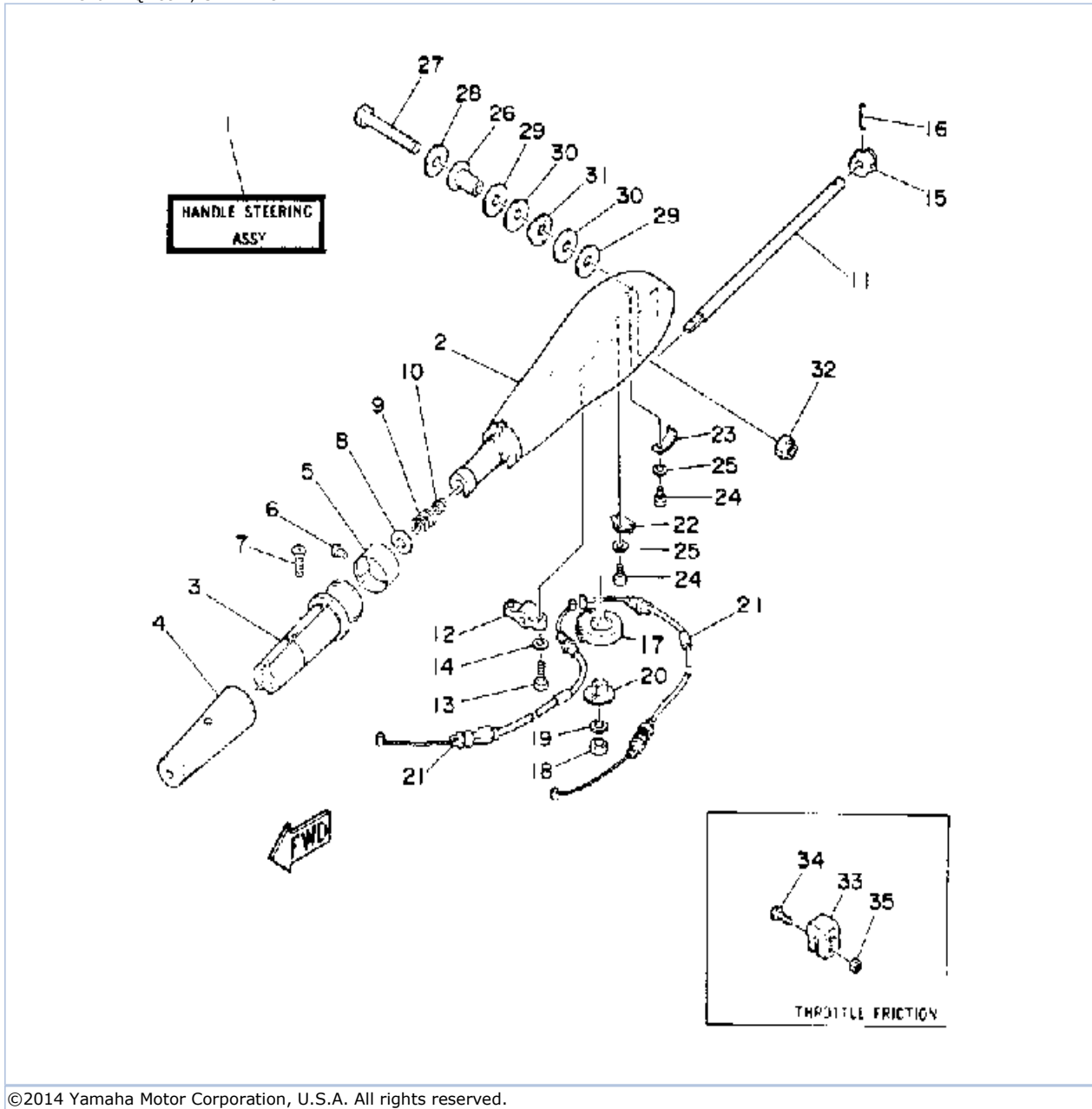
C40ELRQ 1992 / BRACKET 2 (C40PR)

---

| PART NUMBER    |                                                                                   | NOTE TEXT                                                                                          |
|----------------|-----------------------------------------------------------------------------------|----------------------------------------------------------------------------------------------------|
| 92990-06600-00 |  | OEM: This part number is among the Top 100 Most Popular Marine Maintenance Parts as of March 2014. |

©2014 Yamaha Motor Corporation, U.S.A. All rights reserved.

C40ELRQ 1992 / STEERING



©2014 Yamaha Motor Corporation, U.S.A. All rights reserved.





## Part List

C40ELRQ 1992 / STEERING

| REF - NO | PART NUMBER     | PART NAME                                               | QUANTITY | REMARKS |
|----------|-----------------|---------------------------------------------------------|----------|---------|
| 1        | 6R6-W0084-01-EK | HANDLE STEERING ASSEMBLY (REF. #2~32) (6R6-W0084-00-EK) | 1        |         |
| 2        | 676-42111-01-EK | HANDLE, STEERING                                        | 1        |         |
| 3        | 664-42119-00-00 | GRIP, STEERING HANDLE                                   | 1        |         |
| 4        | 6G1-42177-00-00 | RUBBER, HANDLE                                          | 1        |         |
| 5        | 6R6-42137-00-00 | INDICATOR, THROTTLE                                     | 1        |         |
| 6        | 90269-02M09-00  | RIVET                                                   | 1        |         |
| 7        | 90149-05M13-00  | SCREW                                                   | 1        |         |
| 8        | 92990-10600-00  | WASHER, PLATE                                           | 1        |         |
| 9        | 90501-23215-00  | SPRING, COMPRESSION                                     | 1        |         |
| 10       | 90386-08032-00  | BUSH                                                    | 1        |         |
| 11       | 676-42115-00-00 | SHAFT, STEERING HANDLE                                  | 1        |         |
| 12       | 676-42159-00-00 | STAY                                                    | 1        |         |
| 13       | 97395-06020-00  | BOLT, HEXAGON                                           | 2        |         |
| 14       | 92990-06600-00  | WASHER, PLATE                                           | 2        |         |
| 15       | 650-42152-00-94 | GEAR                                                    | 1        |         |
| 16       | 91690-30025-00  | PIN, SPRING                                             | 1        |         |
| 17       | 676-42151-00-94 | PINION                                                  | 1        |         |
| 18       | 95380-06600-00  | NUT, HEXAGON                                            | 1        |         |
| 19       | 92995-06100-00  | WASHER, SPRING                                          | 1        |         |
| 20       | 90386-08M00-00  | BUSH                                                    | 1        |         |
| 21       | 6E9-26311-00-00 | CABLE, THROTTLE 1                                       | 2        |         |
| 22       | 676-26391-00-00 | CLIP, CABLE                                             | 1        |         |
| 23       | 676-26392-00-00 | CLIP, CABLE 2                                           | 1        |         |
| 24       | 97395-05010-00  | BOLT                                                    | 2        |         |
| 25       | 92990-05600-00  | WASHER, PLATE                                           | 2        |         |
| 26       | 90386-12089-00  | BUSH                                                    | 1        |         |
| 27       | 90101-12M37-00  | BOLT                                                    | 1        |         |
| 28       | 92990-12200-00  | WASHER, PLAIN                                           | 1        |         |
| 29       | 90202-12092-00  | WASHER, PLATE                                           | 2        |         |
| 30       | 90201-12537-00  | WASHER, PLATE                                           | 2        |         |
| 31       | 90206-12054-00  | WASHER, WAVE                                            | 1        |         |
| 32       | 90185-12058-00  | NUT, SELF-LOCKING                                       | 1        |         |
| 33       | 656-42126-01-00 | FRICITION, STEERING HANDLE GRIP                         | 1        |         |
| 34       | 97395-06020-00  | BOLT, HEXAGON                                           | 1        |         |
| 35       | 90185-06062-00  | NUT, SELF-LOCKING                                       | 1        |         |

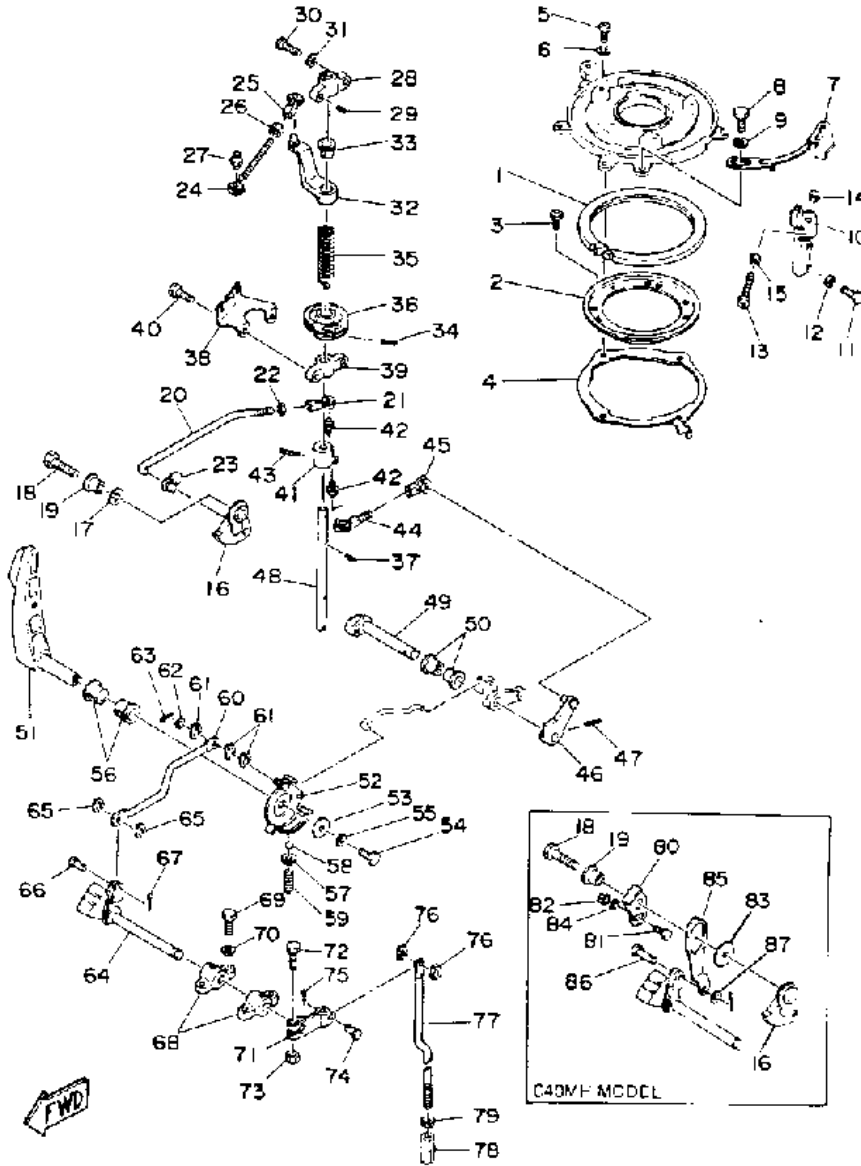
## Part Notes

C40ELRQ 1992 / STEERING

| PART NUMBER                                                                                        | NOTE TEXT                                                                                          |
|----------------------------------------------------------------------------------------------------|----------------------------------------------------------------------------------------------------|
| 92990-10600-00  | OEM: This part number is among the Top 100 Most Popular Marine Maintenance Parts as of March 2014. |
| 92990-06600-00  | OEM: This part number is among the Top 100 Most Popular Marine Maintenance Parts as of March 2014. |

©2014 Yamaha Motor Corporation, U.S.A. All rights reserved.

C40ELRQ 1992 / CONTROL ENGINE



©2014 Yamaha Motor Corporation, U.S.A. All rights reserved.

## Part List






C40ELRQ 1992 / CONTROL ENGINE

| REF<br>-<br>NO | PART<br>NUMBER  | PART NAME                       | QUANTITY | REMARKS  |
|----------------|-----------------|---------------------------------|----------|----------|
| 1              | 676-41611-00-00 | RETAINER, MAGNETO BASE          | 1        |          |
| 2              | 689-41612-01-00 | RETAINER, MAGNETO BASE          | 1        |          |
| 3              | 98580-06012-00  | SCREW, PAN HEAD                 | 4        |          |
| 4              | 676-41613-00-00 | PLATE, BASE FRICTION            | 1        |          |
| 5              | 98580-05012-00  | .SCREW, PAN HEAD                | 4        |          |
| 6              | 92990-05100-00  | .WASHER, SPRING                 | 4        |          |
| 7              | 6E9-41615-00-00 | STOPPER, MAGNETO BASE           | 1        |          |
| 8              | 97313-06010-00  | BOLT, HEXAGON                   | 2        |          |
| 9              | 92990-06600-00  | WASHER, PLATE                   | 2        |          |
| 10             | 679-41606-00-00 | STOPPER MAGNETO BASE<br>COMP. 2 | 1        |          |
| 11             | 97313-06016-00  | BOLT, HEXAGON                   | 2        |          |
| 12             | 92995-06100-00  | WASHER, SPRING                  | 2        |          |
| 13             | 90157-06M13-00  | SCREW, PAN HEAD                 | 1        |          |
| 14             | 663-44194-00-00 | CAP                             | 1        |          |
| 15             | 95380-06700-00  | NUT                             | 1        |          |
| 16             | 6E9-41213-01-00 | CAM, ACCEL.                     | 1        |          |
| 17             | 90206-10M04-00  | WASHER, WAVE                    | 1        | C40ER/PR |
| 18             | 97395-06030-00  | BOLT                            | 1        |          |
| 19             | 90387-06M29-00  | COLLAR                          | 1        |          |
| 20             | 6E9-41211-00-00 | LINK, ACCEL.                    | 1        |          |
| 21             | 6H1-41237-00-00 | JOINT, LINK                     | 1        |          |
| 22             | 95380-05600-00  | NUT                             | 1        |          |
| 23             | 6R5-41237-00-00 | JOINT, LINK                     | 1        |          |
| 24             | 682-41238-01-00 | JOINT, LINK                     | 1        |          |
| 25             | 682-41237-00-00 | JOINT, LINK                     | 1        |          |
| 26             | 95380-05600-00  | NUT                             | 1        |          |
| 27             | 663-85518-00-00 | JOINT, BALL                     | 1        |          |
| 28             | 676-41661-00-00 | BRACKET                         | 1        |          |
| 29             | 91690-40010-00  | PIN, SPRING                     | 1        |          |
| 30             | 97395-06020-00  | BOLT, HEXAGON                   | 1        |          |
| 31             | 92990-06600-00  | WASHER, PLATE                   | 1        |          |
| 32             | 676-41631-00-94 | LEVER, MAGNETO CONTROL          | 1        |          |
| 33             | 90386-10009-00  | .BUSH                           | 1        |          |
| 34             | 91690-30018-00  | PIN, SPRING                     | 1        |          |
| 35             | 90508-20M01-00  | SPRING, TORSION                 | 1        |          |
| 36             | 679-41638-00-00 | PULLEY                          | 1        |          |
| 37             | 91690-30018-00  | PIN, SPRING                     | 1        |          |
| 38             | 676-14497-00-00 | STAY, THROTTLE WIRE             | 1        |          |
| 39             | 676-41662-00-00 | BRACKET 2                       | 1        |          |
| 40             | 97395-06020-00  | BOLT, HEXAGON                   | 2        |          |
| 41             | 6E9-41632-00-94 | LEVER, MAGNETO CONTROL          | 1        |          |
| 42             | 663-85518-00-00 | JOINT, BALL                     | 2        |          |
| 43             | 91690-30018-00  | PIN, SPRING                     | 1        |          |
| 44             | 679-41241-01-00 | ROD, LINK                       | 1        |          |
| 45             | 6H1-41237-00-00 | JOINT, LINK                     | 1        |          |
| 46             | 676-42154-00-94 | LEVER, THROTTLE CONTROL         | 1        |          |
| 47             | 91690-40022-00  | .PIN, SPRING                    | 1        |          |
| 48             | 676-41635-00-00 | SHAFT, LINK CONNECTING          | 1        |          |
| 49             | 676-42153-01-94 | SHAFT, THROTTLE CONTROL         | 1        |          |
| 50             | 90386-10009-00  | .BUSH                           | 2        |          |
| 51             | 6A0-44111-00-EK | HANDLE, GEAR SHIFT              | 1        |          |
| 52             | 6A0-44113-00-00 | CAM PLATE, HANDLE               | 1        |          |
| 53             | 90201-06M02-00  | WASHER, PLATE                   | 1        |          |

|    |                 |                       |   |          |
|----|-----------------|-----------------------|---|----------|
| 54 | 97395-06012-00  | BOLT                  | 1 |          |
| 55 | 92995-06100-00  | WASHER, SPRING        | 1 |          |
| 56 | 90386-13M38-00  | BUSH                  | 2 |          |
| 57 | 676-42715-00-00 | BUSHING               | 1 |          |
| 58 | 93505-16024-00  | BALL                  | 1 |          |
| 59 | 90501-12274-00  | SPRING, COMPRESSION   | 1 |          |
| 60 | 6E9-44142-00-00 | JOINT 1               | 1 |          |
| 61 | 676-44188-00-00 | WASHER                | 3 |          |
| 62 | 92990-05600-00  | WASHER, PLATE         | 1 |          |
| 63 | 91490-16010-00  | PIN. COTTER           | 1 |          |
| 64 | 6E9-44119-01-00 | SHAFT, CHANGE         | 1 |          |
| 65 | 676-44188-00-00 | WASHER                | 2 |          |
| 66 | 91790-05014-00  | PIN, CLEVIS           | 1 | C40ER/PR |
| 67 | 91490-16010-00  | PIN. COTTER           | 1 |          |
| 68 | 676-41662-00-00 | BRACKET 2             | 2 |          |
| 69 | 97313-06020-00  | BOLT, HEXAGON         | 4 |          |
| 70 | 92990-06600-00  | WASHER, PLATE         | 4 |          |
| 71 | 676-44121-01-00 | LEVER, SHIFT ROD      | 1 |          |
| 72 | 97313-06020-00  | BOLT, HEXAGON         | 1 |          |
| 73 | 95313-06700-00  | NUT                   | 1 |          |
| 74 | 91790-05014-00  | PIN, CLEVIS           | 1 |          |
| 75 | 91490-16010-00  | PIN. COTTER           | 1 |          |
| 76 | 676-44188-00-00 | WASHER                | 2 |          |
| 77 | 676-44143-00-00 | ROD, SHIFT            | 1 |          |
| 78 | 648-44146-00-00 | CONNECTOR, SHIFT ROD  | 1 |          |
| 79 | 90170-07021-00  | NUT                   | 1 |          |
| 80 | 6E9-42335-70-00 | LEVER, ACCEL. CONTROL | 1 | C40MH    |
| 81 | 97313-05012-00  | BOLT, HEXAGON         | 1 | C40MH    |
| 82 | 95380-05600-00  | NUT                   | 1 | C40MH    |
| 83 | 90201-06416-00  | WASHER, PLATE         | 1 | C40MH    |
| 84 | 92990-05600-00  | WASHER, PLATE         | 1 | C40MH    |
| 85 | 6E9-42343-70-00 | LEVER, SHIFT CONTROL  | 1 | C40MH    |
| 86 | 90240-05M06-00  | PIN, CLEVIS           | 1 | C40MH    |
| 87 | 92990-05100-00  | .WASHER, SPRING       | 1 | C40MH    |

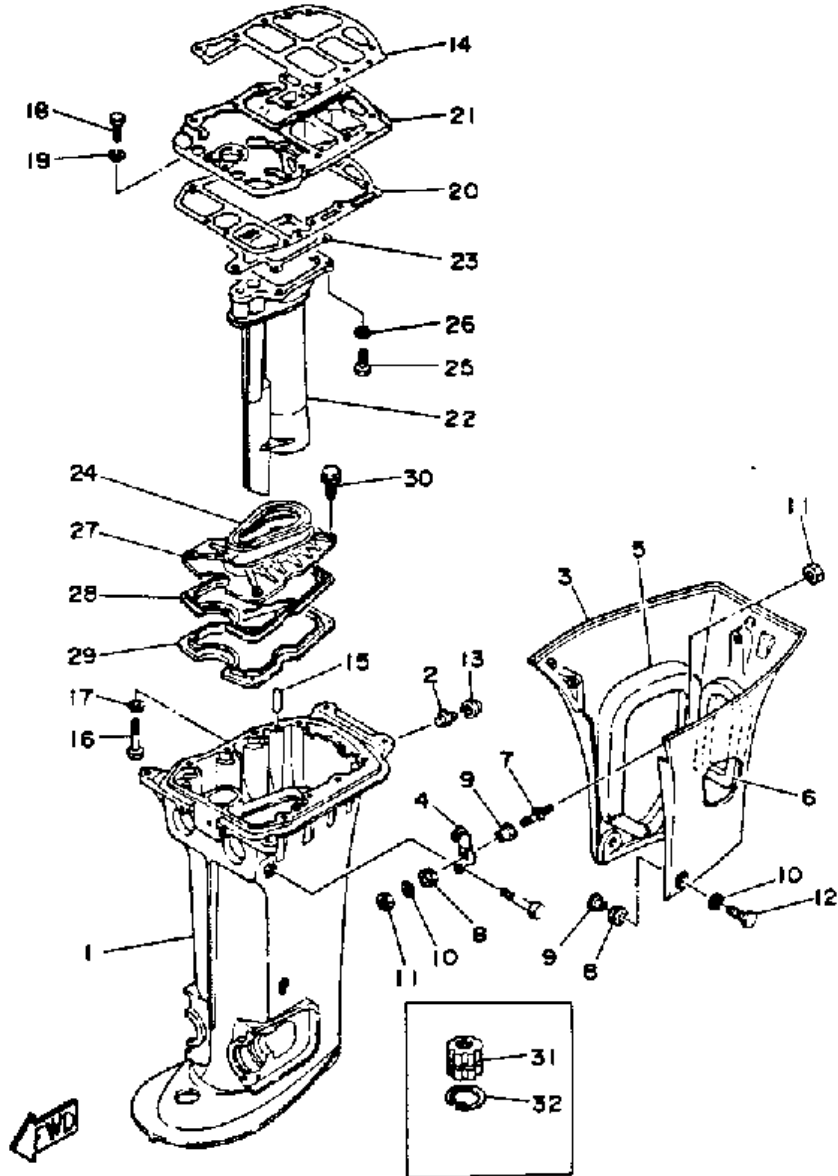
## Part Notes

C40ELRQ 1992 / CONTROL ENGINE

| PART NUMBER     |                                                                                     | NOTE TEXT                                                                                          |
|-----------------|-------------------------------------------------------------------------------------|----------------------------------------------------------------------------------------------------|
| 92990-06600-00  |  | OEM: This part number is among the Top 100 Most Popular Marine Maintenance Parts as of March 2014. |
| 6H1-41237-00-00 |  | OEM: This part number is among the Top 100 Most Popular Marine Maintenance Parts as of March 2014. |
| 92990-06600-00  |  | OEM: This part number is among the Top 100 Most Popular Marine Maintenance Parts as of March 2014. |
| 6H1-41237-00-00 |  | OEM: This part number is among the Top 100 Most Popular Marine Maintenance Parts as of March 2014. |
| 92990-06600-00  |  | OEM: This part number is among the Top 100 Most Popular Marine Maintenance Parts as of March 2014. |

©2014 Yamaha Motor Corporation, U.S.A. All rights reserved.

C40ELRQ 1992 / UPPER CASING



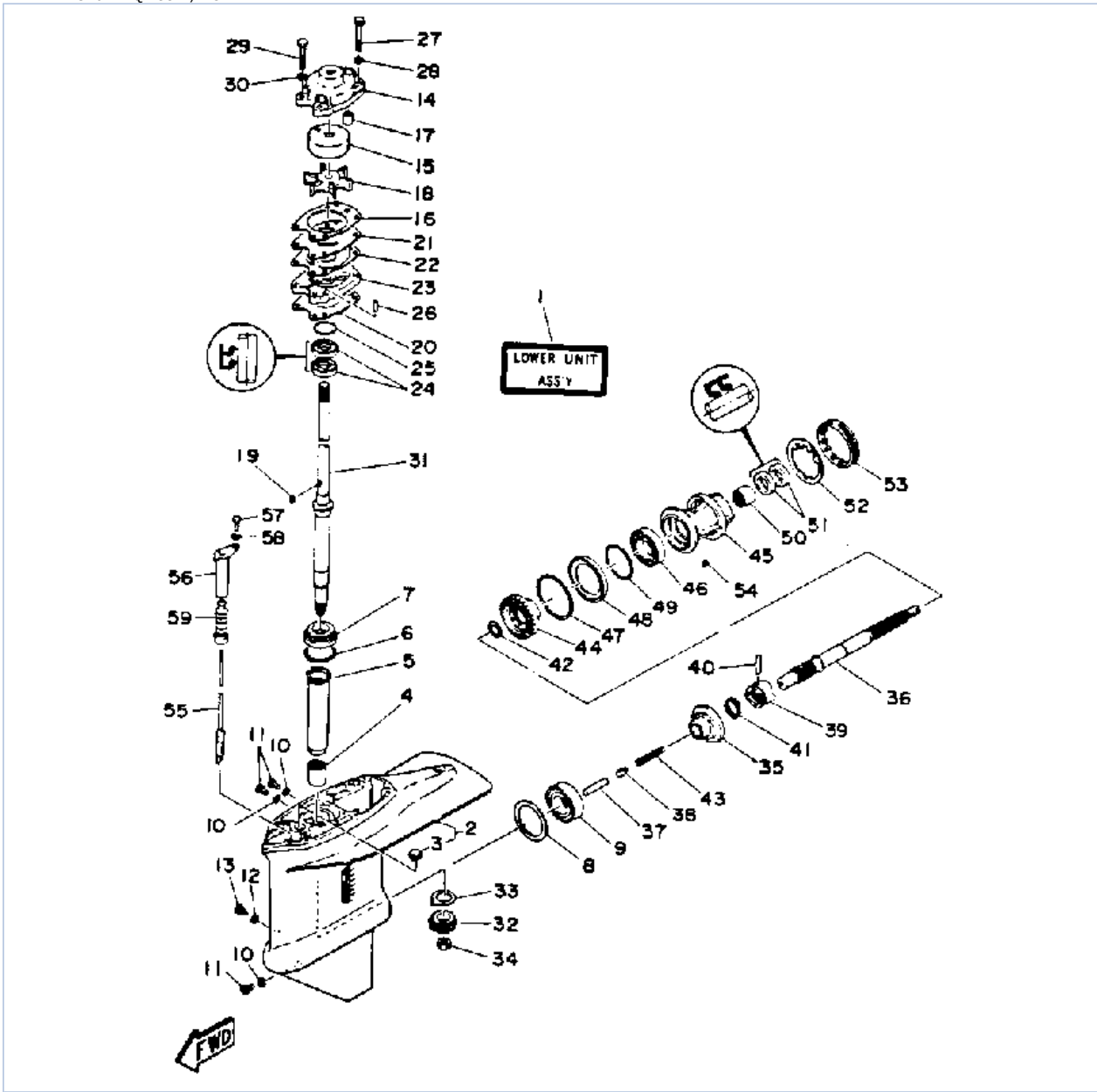
©2014 Yamaha Motor Corporation, U.S.A. All rights reserved.

## Part List

C40ELRQ 1992 / UPPER CASING

| REF<br>-<br>NO | PART<br>NUMBER  | PART NAME                     | QUANTITY | REMARKS  |
|----------------|-----------------|-------------------------------|----------|----------|
| 1              | 6A0-45111-11-EK | CASING, UPPER                 | 1        | UR LONG  |
| 1              | 6A0-45111-01-EK | CASING, UPPER                 | 1        | UR SHORT |
| 2              | 6A0-42761-00-00 | STOPPER                       | 1        |          |
| 3              | 6A0-42741-00-EK | APRON                         | 1        |          |
| 4              | 6A0-42744-00-00 | STAY                          | 2        |          |
| 5              | 6A0-42768-00-00 | DAMPER                        | 2        |          |
| 6              | 6A0-42769-00-00 | SEAL, RUBBER                  | 1        |          |
| 7              | 6A0-42742-00-00 | BOLT                          | 2        |          |
| 8              | 90480-12M11-00  | GROMMET                       | 4        |          |
| 9              | 6A0-42758-00-00 | OLLAR                         | 4        |          |
| 10             | 90201-06M31-00  | .WASHER, PLATE                | 4        |          |
| 11             | 95380-06600-00  | NUT, HEXAGON                  | 4        |          |
| 12             | 97395-06022-00  | BOLT                          | 2        |          |
| 13             | 663-42662-00-00 | .DAMPER                       | 1        |          |
| 14             | 676-45113-A0-00 | GASKET, UPPER CASING          | 1        |          |
| 15             | 93606-25M00-00  | PIN, DOWEL                    | 2        |          |
| 16             | 97395-08040-00  | BOLT                          | 8        |          |
| 17             | 92990-08100-00  | WASHER, SPRING                | 8        |          |
| 18             | 97395-06025-00  | BOLT                          | 3        |          |
| 19             | 92995-06100-00  | WASHER, SPRING                | 3        |          |
| 20             | 676-45114-A0-00 | GASKET, UPPER CASING          | 1        |          |
| 21             | 676-41137-03-94 | GUIDE, EXHAUST                | 1        |          |
| 22             | 6E9-41131-00-5B | MANIFOLD, EXT. 1              | 1        |          |
| 23             | 676-41133-A0-00 | GASKET, EXHAUST<br>MANIFOLD 1 | 1        |          |
| 24             | 676-45127-00-00 | SEAL                          | 1        |          |
| 25             | 97395-06020-00  | BOLT, HEXAGON                 | 4        |          |
| 26             | 92995-06100-00  | WASHER, SPRING                | 4        |          |
| 27             | 676-41116-00-5B | PROTECTOR                     | 1        |          |
| 28             | 676-45128-00-00 | SEAL 2                        | 1        |          |
| 29             | 676-45126-00-5B | PLATE, SEAL DAMPER            | 1        |          |
| 30             | 90105-06M01-00  | BOLT, WASHER BASED            | 4        |          |
| 31             | 6A0-45318-00-00 | BUSHING, DRIVE SHAFT          | 1        | LONG     |
| 32             | 93420-36M01-00  | CIRCLIP                       | 1        | LONG     |

C40ELRQ 1992 / LOWER DRIVE 1



©2014 Yamaha Motor Corporation, U.S.A. All rights reserved.

## Part List

C40ELRQ 1992 / LOWER DRIVE 1



| REF - NO | PART NUMBER     | PART NAME                        | QUANTITY | REMARKS  |
|----------|-----------------|----------------------------------|----------|----------|
| 1        | 6E9-45300-01-EK | LOWER UNIT ASSEMBLY (REF. #2~59) | 1        | UR SHORT |
| 1        | 6E9-45300-11-EK | LOWER UNIT ASSEMBLY (REF. #2~59) | 1        | UR LONG  |
| 2        | 679-W4531-01-EK | CASING, LOWER                    | 1        |          |
| 3        | 90338-22168-00  | .PLUG                            | 1        |          |
| 4        | 93315-32224-00  | BEARING                          | 1        |          |
| 5        | 679-45536-00-00 | SLEEVE, DRIVE SHAFT              | 1        |          |
| 6        | 663-45587-01-18 | SHIM (T:0.18MM)                  | 1        | UR       |
| 6        | 663-45587-01-15 | SHIM (T:0.15MM)                  | 1        | UR       |
| 6        | 663-45587-01-12 | SHIM (T:0.12MM)                  | 1        | UR       |
| 6        | 663-45587-01-10 | SHIM (T:0.10MM)                  | 1        | UR       |
| 6        | 663-45587-01-30 | SHIM (T:0.30MM)                  | 1        | UR       |
| 6        | 663-45587-01-50 | SHIM (T:0.50MM)                  | 1        | UR       |
| 6        | 663-45587-01-40 | SHIM (T:0.40MM)                  | 1        | UR       |
| 7        | 93332-00001-00  | BEARING                          | 1        |          |
| 8        | 663-45567-01-10 | SHIM (T:0.10MM)                  | 1        | UR       |
| 8        | 663-45567-01-12 | SHIM (T:0.12MM)                  | 1        | UR       |
| 8        | 663-45567-01-15 | SHIM (T:0.15MM)                  | 1        | UR       |
| 8        | 663-45567-01-18 | SHIM (T:0.18MM)                  | 1        | UR       |
| 8        | 663-45567-01-40 | SHIM (T:0.40MM)                  | 1        | UR       |
| 8        | 663-45567-01-30 | SHIM (T:0.30MM)                  | 1        | UR       |
| 8        | 663-45567-01-50 | SHIM (T:0.50MM)                  | 1        | UR       |
| 9        | 93332-00003-00  | BEARING                          | 1        |          |
| 10       | 90430-08020-00  | .GASKET                          | 3        |          |
| 11       | 90340-08M04-00  | PLUG, STRAIGHT SCREW             | 3        |          |
| 12       | 90430-06M03-00  | .GASKET                          | 1        |          |
| 13       | 90149-06M00-00  | SCREW                            | 1        |          |
| 14       | 676-44311-00-00 | HOUSING, WATER PUMP              | 1        |          |
| 15       | 676-44322-00-00 | INSERT, CARTRIDGE                | 1        |          |
| 16       | 676-44315-A0-00 | GASKET, WATER PUMP               | 1        |          |
| 17       | 663-44366-00-00 | .DAMPER, WATER SEAL 2            | 1        |          |
| 18       | 6F5-44352-00-00 | IMPELLER                         | 1        |          |
| 19       | 90280-04M00-00  | KEY, WOODRUFF                    | 1        |          |
| 20       | 679-44316-A0-00 | GASKET, WATER PUMP               | 1        |          |
| 21       | 676-44323-00-00 | OUTER PLATE, CARTRIDGE           | 1        |          |
| 22       | 676-44324-A0-00 | GASKET, CARTRIDGE                | 1        |          |
| 23       | 679-44341-00-94 | HOUSING, WATER PUMP              | 1        |          |
| 24       | 93101-22067-00  | .OIL SEAL                        | 1        |          |
| 25       | 93210-41042-00  | O-RING                           | 1        |          |
| 26       | 93604-08062-00  | PIN, DOWEL                       | 2        |          |
| 27       | 97395-08055-00  | BOLT                             | 2        |          |
| 28       | 92990-08600-00  | ..WASHER, PLATE                  | 2        |          |
| 29       | 97395-08045-00  | BOLT                             | 2        |          |
| 30       | 92990-08600-00  | ..WASHER, PLATE                  | 2        |          |
| 31       | 679-45501-10-00 | DRIVE SHAFT COMP.                | 1        | UR LONG  |
| 31       | 679-45501-00-00 | DRIVE SHAFT COMP.                | 1        | UR SHORT |
| 32       | 6H9-45551-00-00 | PINION                           | 1        |          |
| 33       | 663-45552-00-00 | BEARING, PLAIN                   | 1        |          |
| 34       | 90170-12138-00  | NUT                              | 1        |          |
| 35       | 679-45560-00-00 | GEAR                             | 1        |          |
| 36       | 679-45611-01-00 | SHAFT, PROPELLER                 | 1        |          |
| 37       | 676-45635-00-00 | PLUNGER, SHIFT                   | 1        |          |
| 38       | 663-45634-00-00 | SLIDE, SHIFT                     | 1        |          |



|    |                 |                     |   |          |
|----|-----------------|---------------------|---|----------|
| 39 | 663-45631-01-00 | CLUTCH, DOG         | 1 |          |
| 40 | 90250-06023-00  | PIN, STRAIGHT       | 1 |          |
| 41 | 663-45633-00-00 | RING, CROSS PIN     | 1 |          |
| 42 | 90201-22429-00  | WASHER, PLATE       | 1 |          |
| 43 | 90501-16M01-00  | SPRING, COMPRESSION | 1 |          |
| 44 | 679-45571-00-00 | GEAR                | 1 |          |
| 45 | 679-45331-00-94 | HOUSING, BEARING    | 1 |          |
| 46 | 93306-00702-00  | BEARING             | 1 |          |
| 47 | 663-45577-01-30 | SHIM (T:0.30MM)     | 1 | UR       |
| 47 | 663-45577-01-18 | SHIM (T:0.18MM)     | 1 | UR       |
| 47 | 663-45577-01-15 | SHIM (T:0.15MM)     | 1 | UR       |
| 47 | 663-45577-01-12 | SHIM (T:0.12MM)     | 1 | UR       |
| 47 | 663-45577-01-10 | SHIM (T:0.10MM)     | 1 | UR       |
| 47 | 663-45577-01-40 | SHIM (T:0.40MM)     | 1 | UR       |
| 47 | 663-45577-01-50 | SHIM (T:0.50MM)     | 1 | UR       |
| 48 | 663-45576-00-00 | WASHER, THRUST      | 1 |          |
| 49 | 93210-66M98-00  | O-RING              | 1 |          |
| 50 | 93317-22204-00  | BEARING             | 1 |          |
| 51 | 93101-22067-00  | .OIL SEAL           | 2 |          |
| 52 | 90214-48M03-00  | WASHER, CLAW        | 1 |          |
| 53 | 697-45384-00-00 | NUT                 | 1 |          |
| 54 | 90282-04010-00  | KEY, STRAIGHT       | 1 |          |
| 55 | 679-44150-10-00 | SHIFT CAM ASSEMBLY  | 1 | UR LONG  |
| 55 | 679-44150-00-00 | SHIFT CAM ASSEMBLY  | 1 | UR SHORT |
| 56 | 679-44152-00-00 | BUSHING, SHIFT CAM  | 1 |          |
| 57 | 97080-06018-00  | BOLT                | 1 |          |
| 58 | 92990-06600-00  | WASHER, PLATE       | 1 |          |
| 59 | 650-44147-00-00 | BOOT, SHIFT ROD     | 1 |          |

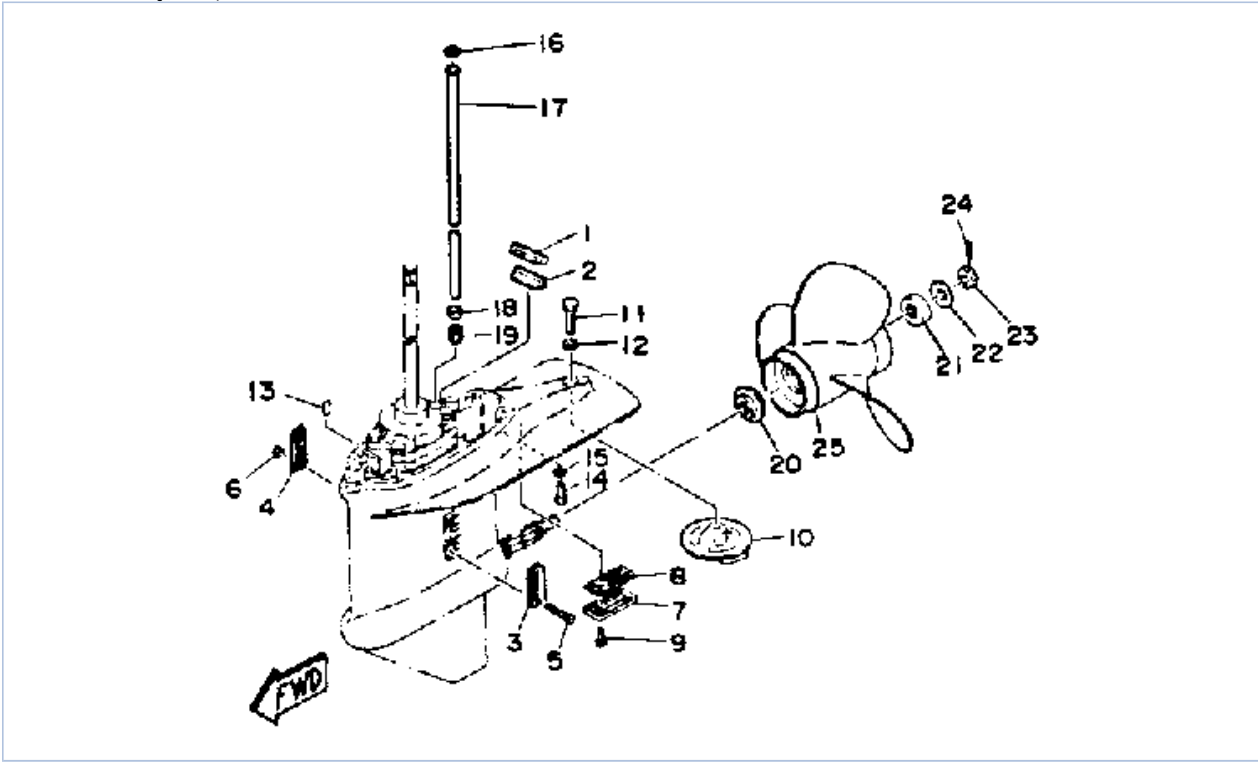
## Part Notes

C40ELRQ 1992 / LOWER DRIVE 1

| PART NUMBER    |                                                                                     | NOTE TEXT                                                                                          |
|----------------|-------------------------------------------------------------------------------------|----------------------------------------------------------------------------------------------------|
| 90430-08020-00 |  | OEM: This part number is among the Top 100 Most Popular Marine Maintenance Parts as of March 2014. |
| 92990-06600-00 |  | OEM: This part number is among the Top 100 Most Popular Marine Maintenance Parts as of March 2014. |

©2014 Yamaha Motor Corporation, U.S.A. All rights reserved.

C40ELRQ 1992 / LOWER DRIVE 2



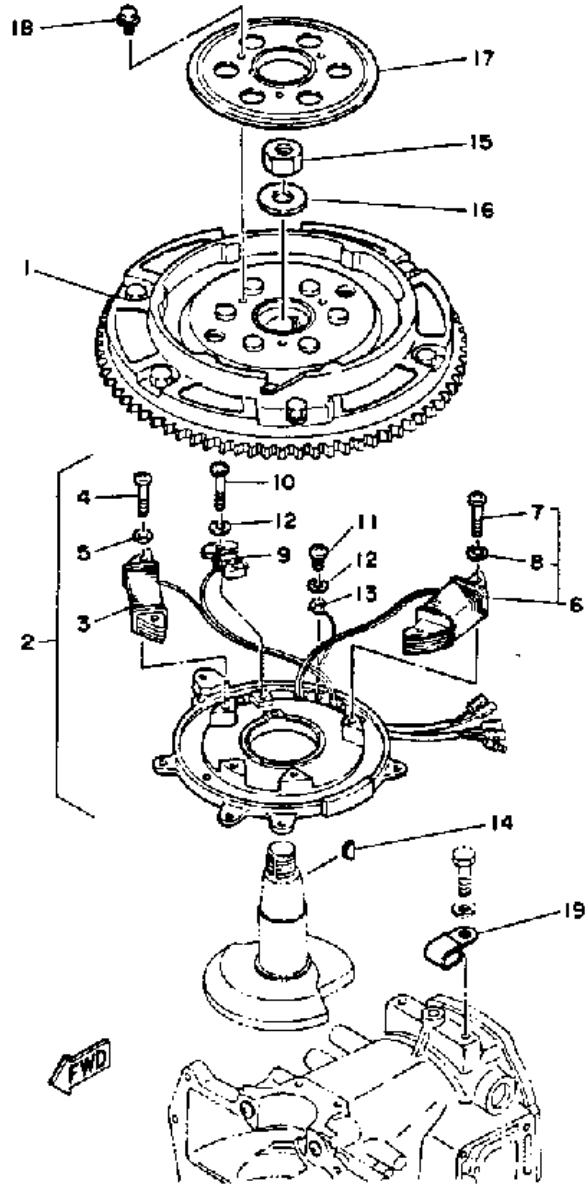
©2014 Yamaha Motor Corporation, U.S.A. All rights reserved.

## Part List

C40ELRQ 1992 / LOWER DRIVE 2

| REF<br>-<br>NO | PART<br>NUMBER  | PART NAME                   | QUANTITY | REMARKS  |
|----------------|-----------------|-----------------------------|----------|----------|
| 1              | 663-45375-00-00 | DAMPER, SEAL                | 1        |          |
| 2              | 663-45376-00-94 | GUIDE, SEAL DAMPER          | 1        |          |
| 3              | 688-45214-02-00 | COVER, WATER INLET 1        | 1        |          |
| 4              | 688-45215-02-00 | COVER, WATER INLET 2        | 1        |          |
| 5              | 98680-05535-00  | SCREW, OVAL HEAD            | 1        |          |
| 6              | 90185-05002-00  | NUT, NYLON                  | 1        |          |
| 7              | 679-45321-01-00 | PLATE                       | 1        |          |
| 8              | 679-45315-A0-00 | PACKING, LOWER CASING       | 1        |          |
| 9              | 98580-06016-00  | SCREW, PAN HEAD             | 2        |          |
| 10             | 679-45371-00-00 | TAB-TRIM                    | 1        |          |
| 11             | 97395-10030-00  | BOLT, HEXAGON               | 1        |          |
| 12             | 92990-10100-00  | WASHER, SPRING              | 1        |          |
| 13             | 93606-12019-00  | .PIN, DOWEL                 | 2        |          |
| 14             | 97395-08030-00  | BOLT                        | 6        |          |
| 15             | 92990-08100-00  | WASHER, SPRING              | 6        |          |
| 16             | 90202-12060-00  | WASHER, PLATE               | 1        |          |
| 17             | 676-44361-10-00 | TUBE, WATER                 | 1        | UR LONG  |
| 17             | 676-44361-00-00 | TUBE, WATER                 | 1        | UR SHORT |
| 18             | 90430-12072-00  | GASKET                      | 1        |          |
| 19             | 663-44367-00-00 | DAMPER, WATER SEAL 3        | 1        |          |
| 20             | 663-45987-02-00 | SPACER 1                    | 1        |          |
| 21             | 670-45997-02-00 | SPACER                      | 1        |          |
| 22             | 92990-16200-00  | WASHER, PLAIN               | 1        |          |
| 23             | 90171-16011-00  | NUT, CASTLE                 | 1        |          |
| 24             | 91490-30030-00  | PIN, COTTER                 | 1        |          |
| 25             | 663-45970-60-98 | PROPELLER (3X11-3/4"X12"-G) | 1        | UR       |
| 25             | 663-45972-60-98 | PROPELLER (3X12"X11"-G)     | 1        | UR       |
| 25             | 663-45974-60-98 | PROPELLER (3X11-1/2"X13"-G) | 1        | UR       |
| 25             | 663-45976-00-98 | PROPELLER (3X10-1/4"X15"-G) | 1        | UR       |
| 25             | 663-45978-00-98 | PROPELLER (3X10-1/4"X16"-G) | 1        | UR       |
| 25             | 663-45930-00-98 | PROPELLER (3X10-1/4"X14"-G) | 1        | UR       |
| 25             | 663-45958-01-EL | PROPELLER (3X11-1/4"X14"-G) | 1        | UR       |
| 25             | 663-45941-01-EL | PROPELLER (3X10-3/4"X17"-G) | 1        | UR       |
| 25             | 663-45956-01-EL | PROPELLER (3X12-1/4"X9"-G)  | 1        | UR       |
| 25             | 6H5-45952-00-EL | PROPELLER (3X10-3/8X13"-G)  | 1        | UR       |
| 25             | 663-45949-01-EL | PROPELLER (3X10-3/4"X16"-G) | 1        | UR       |
| 25             | 6H5-45943-00-EL | PROPELLER (3X10"X15"-G)     | 1        | UR       |
| 25             | 6H5-45945-00-EL | PROPELLER (3X10-5/8X12"-G)  | 1        | UR       |
| 25             | 663-45947-02-EL | PROPELLER (3X11-5/8"X11"-G) | 1        | UR       |

C40ELRQ 1992 / MAGNETO



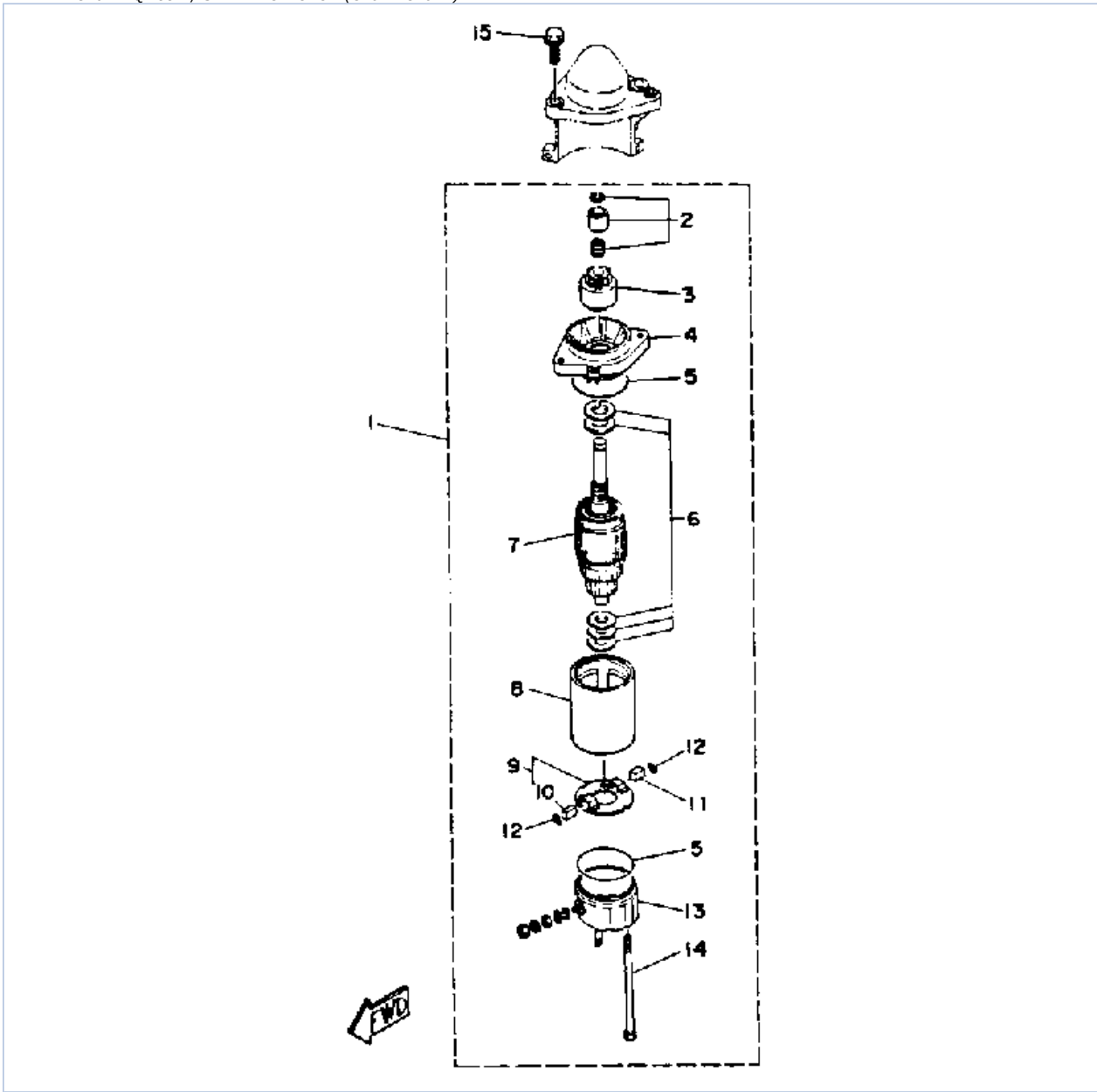
©2014 Yamaha Motor Corporation, U.S.A. All rights reserved.

## Part List

C40ELRQ 1992 / MAGNETO

| REF<br>-<br>NO | PART<br>NUMBER  | PART NAME                      | QUANTITY | REMARKS |
|----------------|-----------------|--------------------------------|----------|---------|
| 1              | 6A0-85550-A0-00 | ROTOR ASSEMBLY                 | 1        |         |
| 2              | 6A0-85560-A2-00 | BASE ASSEMBLY                  | 1        |         |
| 3              | 689-81311-40-00 | .COIL, IGNITION 1              | 1        |         |
| 4              | 98503-05025-00  | .SCREW, PAN HEAD               | 2        |         |
| 5              | 92990-05100-00  | .WASHER, SPRING                | 2        |         |
| 6              | 6A0-81303-A0-00 | .LIGHTING COIL ASSEMBLY        | 1        |         |
| 7              | 98503-05025-00  | ..SCREW, PAN HEAD              | 1        |         |
| 8              | 92990-05100-00  | ..WASHER, SPRING               | 2        |         |
| 9              | 689-85580-40-00 | .COIL, PULSER                  | 1        |         |
| 10             | 98511-04025-00  | .SCREW, PAN HEAD               | 2        |         |
| 11             | 98511-04006-00  | .SCREW, PAN HEAD (98502-04006) | 1        |         |
| 12             | 92901-04100-00  | .WASHER, SPRING                | 3        |         |
| 13             | 689-81315-40-00 | .LEAD WIRE ASSEMBLY            | 1        |         |
| 14             | 90280-05049-00  | KEY, WOODRUFF                  | 1        |         |
| 15             | 90170-20137-00  | NUT                            | 1        |         |
| 16             | 90201-21M18-00  | WASHER, PLATE                  | 1        |         |
| 17             | 6A0-81362-00-00 | COVER, HOLE                    | 1        |         |
| 18             | 90105-08M10-00  | BOLT, FLANGE                   | 3        |         |
| 19             | 90465-08M29-00  | CLAMP                          | 1        |         |

C40ELRQ 1992 / STARTING MOTOR (C40ER C40PR)



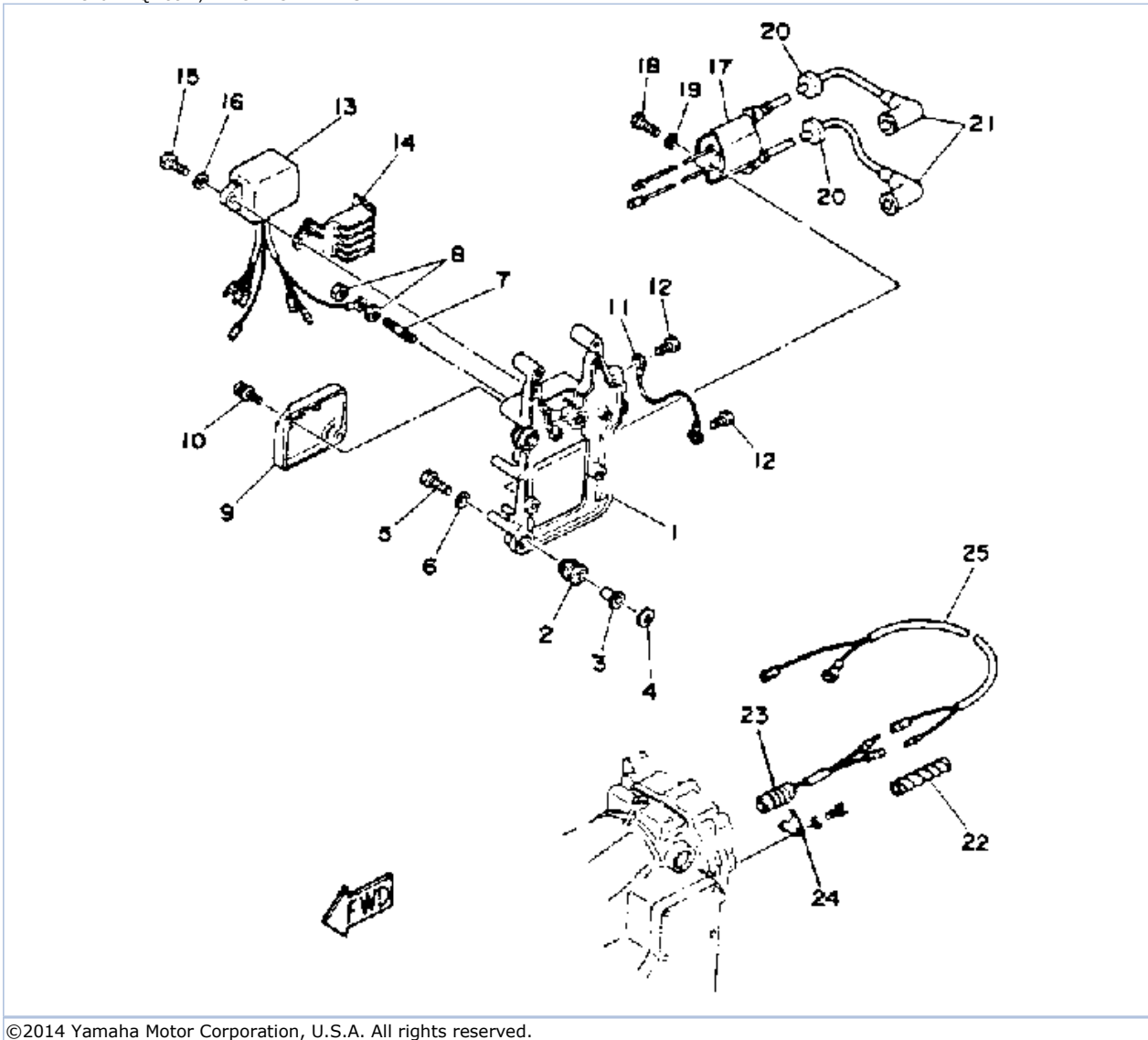
©2014 Yamaha Motor Corporation, U.S.A. All rights reserved.

## Part List

C40ELRQ 1992 / STARTING MOTOR (C40ER C40PR)

| REF<br>-<br>NO | PART<br>NUMBER  | PART NAME                     | QUANTITY | REMARKS |
|----------------|-----------------|-------------------------------|----------|---------|
| 1              | 689-81800-13-00 | STARTING MOTOR<br>ASSEMBLY    | 1        |         |
| 2              | 689-81857-11-00 | .PINION STOPPER SET           | 1        |         |
| 3              | 689-81807-12-00 | .GEAR ASSY, STARTING<br>MOTOR | 1        |         |
| 4              | 689-81830-11-00 | .FRONT BRACKET ASSEMBLY       | 1        |         |
| 5              | 689-81847-11-00 | .O-RING                       | 2        |         |
| 6              | 689-81809-11-00 | .WASHER KIT                   | 1        |         |
| 7              | 689-81850-12-00 | .ARMATURE ASSY                | 1        |         |
| 8              | 689-81810-11-00 | .STATOR ASSY                  | 1        |         |
| 9              | 689-81840-11-00 | .BRUSH HOLDER ASSY            | 1        |         |
| 10             | 689-81812-11-00 | ..BRUSH 2                     | 1        |         |
| 11             | 689-81811-11-00 | .BRUSH 1                      | 1        |         |
| 12             | 689-81813-10-00 | .SPRING, BRUSH                | 2        |         |
| 13             | 689-81820-11-00 | .REAR BRACKET ASSY            | 1        |         |
| 14             | 689-81826-10-00 | .BOLT                         | 2        |         |
| 15             | 90105-08M22-00  | BOLT, FLANGE                  | 2        |         |

C40ELRQ 1992 / ELECTRICAL PARTS 1



©2014 Yamaha Motor Corporation, U.S.A. All rights reserved.






## Part List

C40ELRQ 1992 / ELECTRICAL PARTS 1

| REF<br>-<br>NO | PART<br>NUMBER  | PART NAME              | QUANTITY | REMARKS  |
|----------------|-----------------|------------------------|----------|----------|
| 1              | 6R6-85542-00-94 | BRACKET                | 1        |          |
| 2              | 6A0-82317-00-00 | DAMPER, IGNITION COIL  | 3        |          |
| 3              | 624-42542-00-00 | PIPE                   | 3        |          |
| 4              | 90201-06M05-00  | WASHER, PLATE          | 3        |          |
| 5              | 97313-06030-00  | BOLT                   | 3        |          |
| 6              | 92990-06600-00  | WASHER, PLATE          | 3        |          |
| 7              | 90116-06M07-00  | BOLT, STUD             | 1        |          |
| 8              | 95380-06600-00  | NUT, HEXAGON           | 2        |          |
| 9              | 6A0-81916-00-00 | COVER, TERMINAL        | 1        |          |
| 10             | 97985-05216-00  | SCREW, WITH WASHER     | 2        |          |
| 11             | 662-82519-00-00 | WIRE, EARTH LEAD       | 1        |          |
| 12             | 97395-06012-00  | BOLT                   | 2        |          |
| 13             | 689-85540-20-00 | C.D.I. UNIT ASSEMBLY   | 1        |          |
| 14             | 6A0-85548-00-00 | HOLDER                 | 1        |          |
| 15             | 97395-06025-00  | BOLT                   | 2        |          |
| 16             | 92990-06600-00  | WASHER, PLATE          | 2        |          |
| 17             | 689-85570-20-00 | IGNITION COIL ASSEMBLY | 1        |          |
| 18             | 97395-06025-00  | BOLT                   | 2        |          |
| 19             | 92990-06600-00  | WASHER, PLATE          | 2        |          |
| 20             | 90480-25161-00  | GROMMET                | 2        |          |
| 21             | 663-82370-01-00 | PLUG CAP ASSY          | 2        |          |
| 22             | 90446-10M01-00  | HOSE (L60)             | 1        | C40ER/PR |
| 23             | 6E9-82560-00-00 | THERMOSWITCH ASSEMBLY  | 1        | C40ER/PR |
| 24             | 6E9-82588-00-00 | PLATE                  | 1        | C40ER/PR |
| 25             | 6R6-82531-00-00 | WIRE, LEAD             | 1        | C40ER/PR |

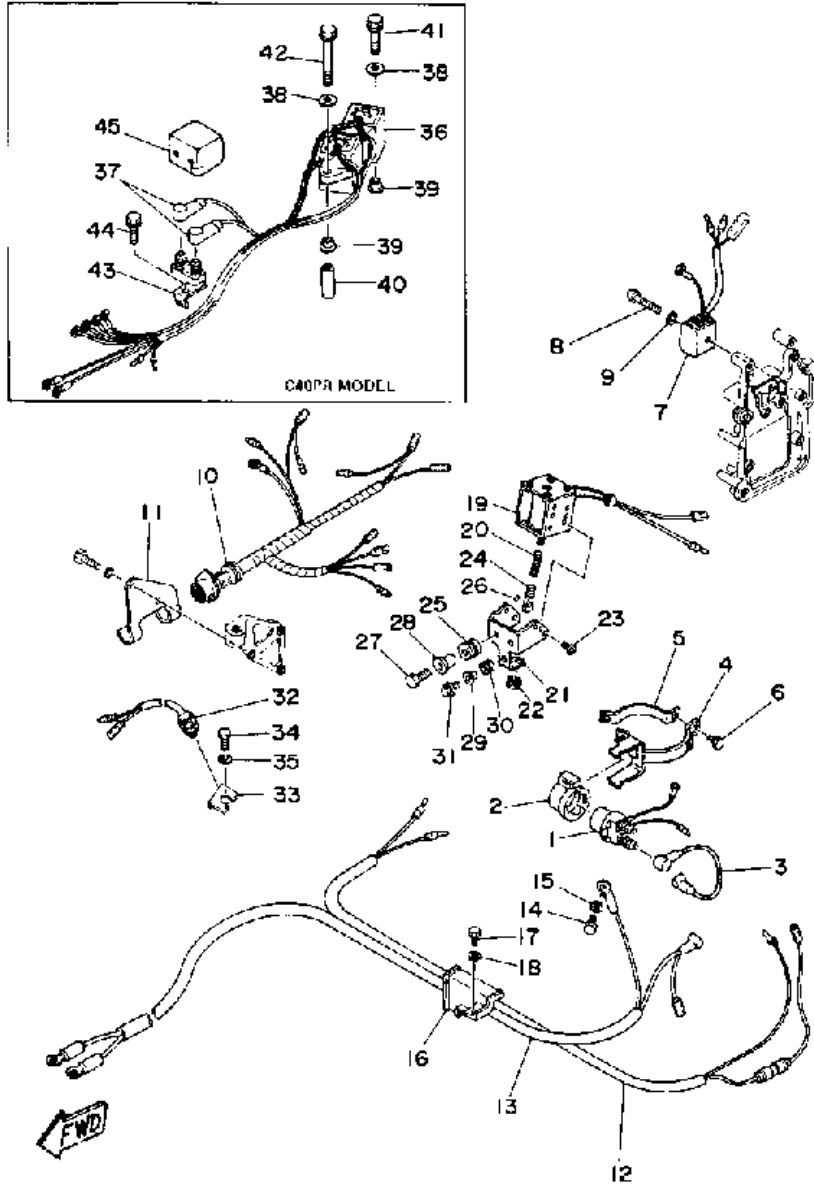
## Part Notes

C40ELRQ 1992 / ELECTRICAL PARTS 1

| PART NUMBER    |                                                                                     | NOTE TEXT                                                                                          |
|----------------|-------------------------------------------------------------------------------------|----------------------------------------------------------------------------------------------------|
| 92990-06600-00 |  | OEM: This part number is among the Top 100 Most Popular Marine Maintenance Parts as of March 2014. |
| 92990-06600-00 |  | OEM: This part number is among the Top 100 Most Popular Marine Maintenance Parts as of March 2014. |
| 92990-06600-00 |  | OEM: This part number is among the Top 100 Most Popular Marine Maintenance Parts as of March 2014. |

©2014 Yamaha Motor Corporation, U.S.A. All rights reserved.

C40ELRQ 1992 / ELECTRICAL PARTS 2 (C40ER C40PR)



©2014 Yamaha Motor Corporation, U.S.A. All rights reserved.


## Part List

C40ELRQ 1992 / ELECTRICAL PARTS 2 (C40ER C40PR)

| REF - NO | PART NUMBER     | PART NAME               | QUANTITY | REMARKS  |
|----------|-----------------|-------------------------|----------|----------|
| 1        | 6G1-81941-10-00 | STARTER RELAY ASSY      | 1        |          |
| 2        | 6G1-81952-00-00 | HOLDER, RELAY           | 1        |          |
| 3        | 6E9-82117-00-00 | WIRE, LEAD              | 1        |          |
| 4        | 6E9-81945-01-00 | PLATE, SWITCH FITTING   | 1        |          |
| 5        | 6E9-81953-00-00 | STAY, RELAY             | 1        |          |
| 6        | 97313-06016-00  | BOLT, HEXAGON           | 2        |          |
| 7        | 664-81970-61-00 | RECTIFIER ASSEMBLY      | 1        |          |
| 8        | 98503-05025-00  | SCREW, PAN HEAD         | 1        |          |
| 9        | 92990-05600-00  | WASHER, PLATE           | 1        |          |
| 10       | 6E9-82590-20-00 | WIRE HARNESS ASSEMBLY   | 1        | UR C40PR |
| 10       | 6E9-82590-11-00 | WIRE HARNESS ASSEMBLY   | 1        | UR C40ER |
| 11       | 6E9-82594-00-00 | CLAMP                   | 1        | UR C40PR |
| 11       | 6A0-82594-01-00 | CLAMP                   | 1        | UR C40ER |
| 12       | 6E9-81971-00-00 | WIRE, LEAD              | 1        |          |
| 13       | 6E9-82105-10-00 | BATTERY CABLE           | 1        |          |
| 14       | 97380-08012-00  | BOLT                    | 1        |          |
| 15       | 92990-08100-00  | WASHER, SPRING          | 1        |          |
| 16       | 6A0-82362-00-00 | CLAMP, CORD 2           | 1        |          |
| 17       | 97013-06012-00  | BOLT                    | 1        |          |
| 18       | 92990-06600-00  | WASHER, PLATE           | 1        |          |
| 19       | 6E9-86111-01-00 | COIL, SOLENOID          | 1        |          |
| 20       | 682-86116-00-00 | WIRE, PULL              | 1        |          |
| 21       | 6E9-86112-00-00 | STAY, SOLENOID          | 1        |          |
| 22       | 90480-10155-00  | GROMMET                 | 1        |          |
| 23       | 98580-05008-00  | .SCREW, PAN HEAD        | 4        |          |
| 24       | 682-86117-00-00 | HOOK, WIRE PULL         | 1        |          |
| 25       | 6A0-82317-00-00 | DAMPER, IGNITION COIL   | 2        |          |
| 26       | 93210-03261-00  | O-RING                  | 1        |          |
| 27       | 97395-06025-00  | BOLT                    | 2        |          |
| 28       | 624-42542-00-00 | PIPE                    | 2        |          |
| 29       | 90387-06M43-00  | COLLAR                  | 1        |          |
| 30       | 90480-13M24-00  | GROMMET                 | 1        |          |
| 31       | 95895-06016-00  | BOLT, FLANGE            | 1        |          |
| 32       | 689-82540-01-00 | NEUTRAL SWITCH ASSEMBLY | 1        |          |
| 33       | 6E9-82554-00-00 | STAY, NEUTRAL SWITCH    | 1        |          |
| 34       | 97313-06016-00  | BOLT, HEXAGON           | 1        |          |
| 35       | 92995-06100-00  | WASHER, SPRING          | 1        |          |
| 36       | 6E9-81950-11-00 | RELAY ASSEMBLY          | 1        | 40PR     |
| 37       | 682-82119-01-00 | COVER, LEAD WIRE        | 2        | 40PR     |
| 38       | 92990-06200-00  | WASHER, PLAIN           | 2        | 40PR     |
| 39       | 90387-06M70-00  | COLLAR                  | 2        | 40PR     |
| 40       | 90387-06M08-00  | COLLAR                  | 1        | 40PR     |
| 41       | 97313-06020-00  | BOLT, HEXAGON           | 1        | 40PR     |
| 42       | 97313-06065-00  | BOLT, HEXAGON           | 1        | 40PR     |
| 43       | 6H5-81920-00-00 | TERMINAL ASSY           | 1        | 40PR     |
| 44       | 97395-06012-00  | BOLT                    | 1        | 40PR     |
| 45       | 6E9-82164-00-00 | CASE 2                  | 1        | 40PR     |

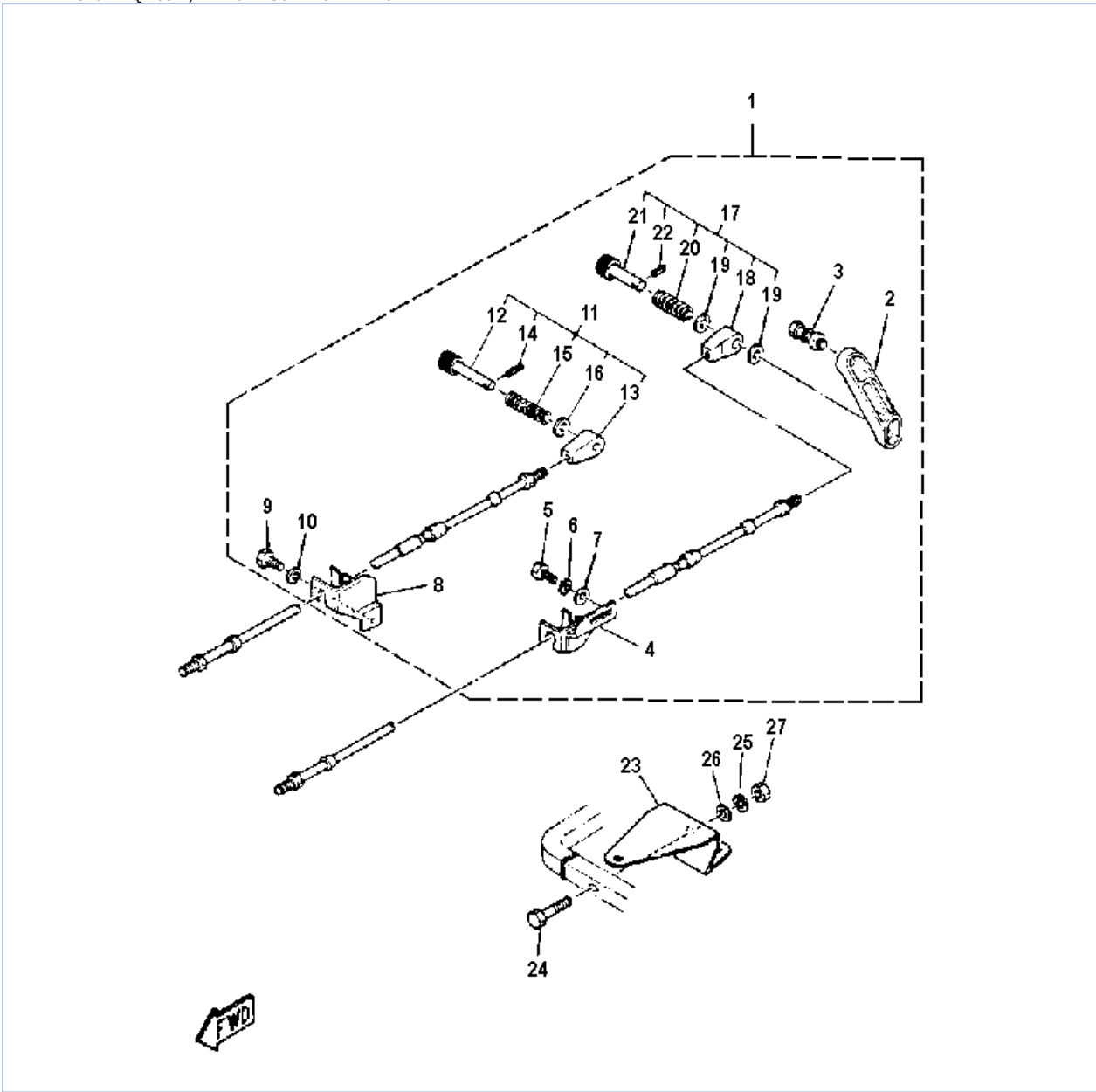
## Part Notes

C40ELRQ 1992 / ELECTRICAL PARTS 2 (C40ER C40PR)

| PART NUMBER                                                                                        | NOTE TEXT                                                                                          |
|----------------------------------------------------------------------------------------------------|----------------------------------------------------------------------------------------------------|
| 92990-06600-00  | OEM: This part number is among the Top 100 Most Popular Marine Maintenance Parts as of March 2014. |

©2014 Yamaha Motor Corporation, U.S.A. All rights reserved.

C40ELRQ 1992 / REMOTE CONTROL ATTACHMENT



©2014 Yamaha Motor Corporation, U.S.A. All rights reserved.


## Part List

C40ELRQ 1992 / REMOTE CONTROL ATTACHMENT

| REF<br>-<br>NO | PART<br>NUMBER  | PART NAME                             | QUANTITY | REMARKS |
|----------------|-----------------|---------------------------------------|----------|---------|
| 1              | 6R6-48501-00-00 | REMOTE CONTROL<br>ATTACHMENT ASSEMBLY | 1        |         |
| 2              | 676-48534-00-EK | .THROTTLE LEVER, CONTROL              | 1        |         |
| 3              | 90119-06M58-00  | .BOLT, WITH WASHER                    | 1        |         |
| 4              | 679-48532-00-00 | .BRACKET, REMOTE<br>CONTROL 2         | 1        |         |
| 5              | 97395-06016-00  | .BOLT, HEX                            | 1        |         |
| 6              | 92995-06100-00  | .WASHER, SPRING                       | 1        |         |
| 7              | 92990-06200-00  | .WASHER, PLAIN                        | 1        |         |
| 8              | 676-48531-00-00 | .BRACKET, REMOTE<br>CONTROL 1         | 1        |         |
| 9              | 97395-06016-00  | .BOLT, HEX                            | 1        |         |
| 10             | 92995-06100-00  | .WASHER, SPRING                       | 1        |         |
| 11             | 648-48330-50-00 | .CABLE END ASSY                       | 1        |         |
| 12             | 617-48331-91-00 | ..HOOK, CABLE                         | 1        |         |
| 13             | 648-48346-50-00 | ..CABLE END, REMOTE<br>CONTROL        | 1        |         |
| 14             | 91690-30012-00  | ..PIN, SPRING                         | 1        |         |
| 15             | 90501-10071-00  | ..SPRING, COMPRESSION                 | 1        |         |
| 16             | 92990-08600-00  | ..WASHER, PLATE                       | 1        |         |
| 17             | 648-48340-50-00 | .CABLE END ASSY                       | 1        |         |
| 18             | 617-48346-90-00 | ..CABLE END, REMOTE<br>CONTROL        | 1        |         |
| 19             | 92990-08600-00  | ..WASHER, PLATE                       | 2        |         |
| 20             | 90501-10264-00  | ..SPRING, COMPRESSION                 | 1        |         |
| 21             | 617-48361-91-00 | ..HOOK, CABLE                         | 1        |         |
| 22             | 91690-30012-00  | ..PIN, SPRING                         | 1        |         |
| 23             | 689-48511-01-00 | HOOK, STEERING                        | 1        |         |
| 24             | 97395-10040-00  | BOLT                                  | 1        |         |
| 25             | 92990-10100-00  | WASHER, SPRING                        | 1        |         |
| 26             | 92990-10600-00  | WASHER, PLATE                         | 1        |         |
| 27             | 95380-10600-00  | NUT                                   | 1        |         |

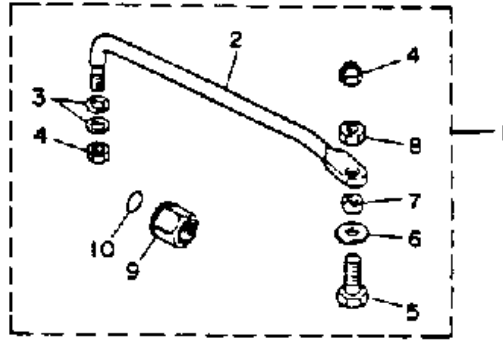
## Part Notes

C40ELRQ 1992 / REMOTE CONTROL ATTACHMENT

| PART NUMBER                                                                                        | NOTE TEXT                                                                                          |
|----------------------------------------------------------------------------------------------------|----------------------------------------------------------------------------------------------------|
| 92990-10600-00  | OEM: This part number is among the Top 100 Most Popular Marine Maintenance Parts as of March 2014. |

©2014 Yamaha Motor Corporation, U.S.A. All rights reserved.

C40ELRQ 1992 / STEERING GUIDE ATTACHMENT



©2014 Yamaha Motor Corporation, U.S.A. All rights reserved.

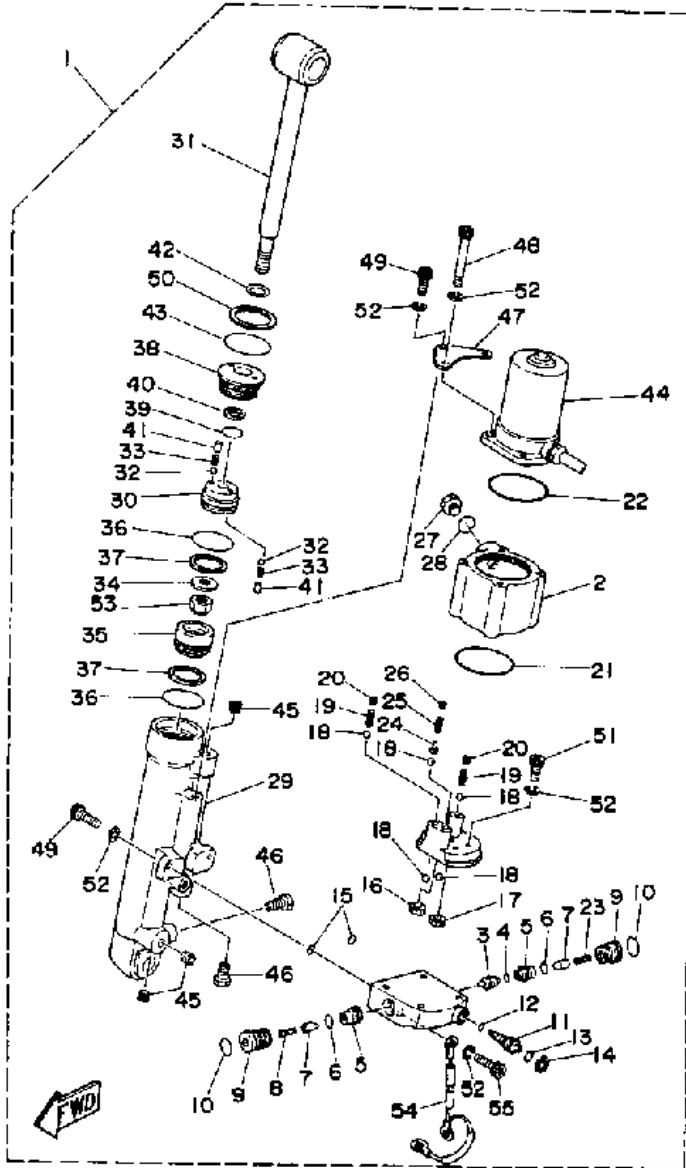
## Part List

C40ELRQ 1992 / STEERING GUIDE ATTACHMENT

| REF<br>-<br>NO | PART<br>NUMBER  | PART NAME                        | QUANTITY | REMARKS |
|----------------|-----------------|----------------------------------|----------|---------|
| 1              | 689-61350-02-00 | STEERING GUIDE<br>ATTACHMENT KIT | 1        |         |
| 2              | 689-61351-01-00 | .ROD, STEERING LINK              | 1        |         |
| 3              | 90201-10M20-00  | .WASHER, PLATE                   | 2        |         |
| 4              | 90185-09M01-00  | .NUT, SELF-LOCKING               | 2        |         |
| 5              | 6E5-61355-00-00 | .BOLT                            | 1        |         |
| 6              | 90201-10M63-00  | .WASHER, PLATE                   | 1        |         |
| 7              | 90387-10M42-00  | .COLLAR                          | 1        |         |
| 8              | 90170-09M03-00  | .NUT                             | 1        |         |
| 9              | 6E5-43145-00-00 | .CAP, CLAMP BRACKET              | 1        |         |
| 10             | 93210-16275-00  | .O-RING                          | 1        |         |



C40ELRQ 1992 / POWER TILT ASSEMBLY



©2014 Yamaha Motor Corporation, U.S.A. All rights reserved.

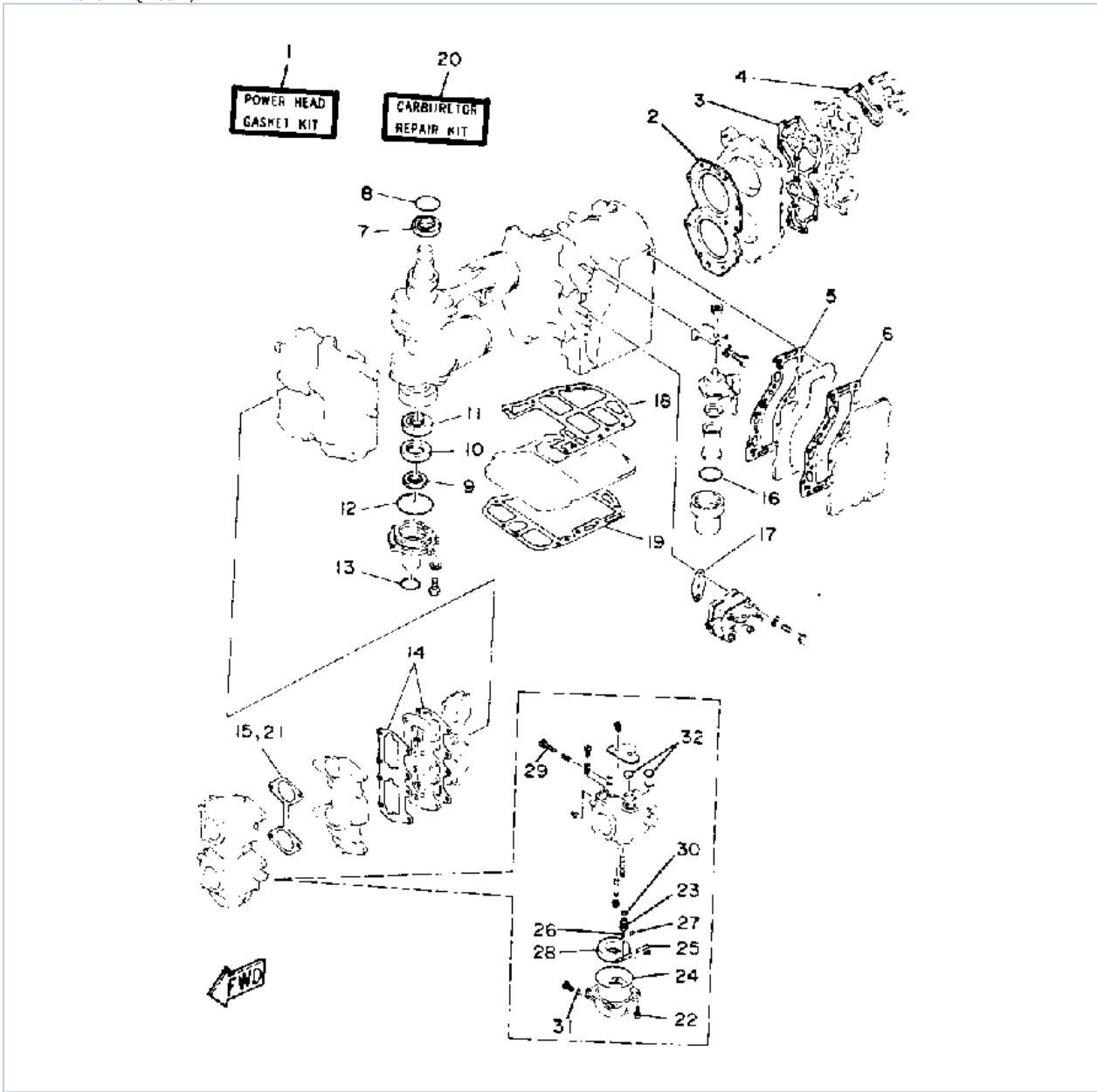
## Part List

C40ELRQ 1992 / POWER TILT ASSEMBLY

| REF<br>-<br>NO | PART<br>NUMBER  | PART NAME                    | QUANTITY | REMARKS |
|----------------|-----------------|------------------------------|----------|---------|
| 1              | 6H5-43840-04-EK | POWER TILT ASSEMBLY          | 1        |         |
| 2              | 6H5-43828-00-00 | .BODY, RESERVOIR             | 1        |         |
| 3              | 6H5-43841-00-00 | .PISTON, SHUTTLE             | 1        |         |
| 4              | 6H5-43861-00-00 | .O-RING                      | 1        |         |
| 5              | 6H5-43891-00-00 | .BUSHING 1                   | 2        |         |
| 6              | 6H5-43862-00-00 | .O-RING                      | 2        |         |
| 7              | 6H5-43849-00-00 | .PIN, VALVE SUPPORT          | 2        |         |
| 8              | 6H5-43853-00-00 | .SPRING, MAIN VALVE          | 1        |         |
| 9              | 6H5-4382E-00-00 | .ADAPTOR 2                   | 2        |         |
| 10             | 6H5-43863-00-00 | .O-RING                      | 2        |         |
| 11             | 6H5-43846-02-00 | .SCREW, MANUAL VALVE<br>SEAT | 1        |         |
| 12             | 6H5-43864-00-00 | .O-RING                      | 1        |         |
| 13             | 6H5-43865-00-00 | .O-RING                      | 1        |         |
| 14             | 6H5-43875-00-00 | .RING, SNAP                  | 1        |         |
| 15             | 6H5-43866-00-00 | .O-RING                      | 2        |         |
| 16             | 6H5-43837-00-00 | .GEAR, DRIVEN                | 1        |         |
| 17             | 6H5-43836-00-00 | .GEAR, DRIVE                 | 1        |         |
| 18             | 6H5-43858-10-00 | .BALL                        | 5        |         |
| 19             | 6H5-43856-00-00 | .SPRING, DOWN RELIEF         | 2        |         |
| 20             | 6H5-43844-00-00 | .PIN, VALVE SUPPORT          | 2        |         |
| 21             | 6H5-43867-00-00 | .O-RING                      | 1        |         |
| 22             | 6H5-43868-00-00 | .O-RING                      | 1        |         |
| 23             | 6H5-43853-10-00 | .SPRING, MAIN VALVE          | 1        |         |
| 24             | 6H5-43859-00-00 | .PIN, VALVE SUPPORT          | 6        |         |
| 25             | 6H5-43855-01-00 | .SPRING, UP RELIEF           | 1        |         |
| 26             | 6H5-4386F-00-00 | .RING, STRAIGHT              | 1        |         |
| 27             | 6H5-43829-00-00 | .PLUG, RESERVOIR             | 1        |         |
| 28             | 6H5-43865-00-00 | .O-RING                      | 1        |         |
| 29             | 6H5-43813-00-00 | .CYLINDER, TILT              | 1        |         |
| 30             | 6H5-4385A-00-00 | .PISTON, TILT                | 1        |         |
| 31             | 6H5-43801-00-00 | .ROD                         | 1        |         |
| 32             | 6H5-43858-00-00 | .BALL                        | 5        |         |
| 33             | 6H5-43857-00-00 | .SPRING, ABSORBER VALVE      | 5        |         |
| 34             | 6H5-43893-00-00 | .WASHER                      | 1        |         |
| 35             | 6H5-43814-00-00 | .PISTON, FREE                | 1        |         |
| 36             | 6H5-43883-00-00 | .O-RING                      | 2        |         |
| 37             | 6H5-43871-00-00 | .RING, BACK UP               | 2        |         |
| 38             | 6H5-4381E-00-00 | .BRACKET                     | 1        |         |
| 39             | 6H5-43896-00-00 | .O-RING                      | 1        |         |
| 40             | 6H5-43873-00-00 | .RING, BACK UP               | 1        |         |
| 41             | 6H5-4381A-00-00 | .SHAFT                       | 5        |         |
| 42             | 6H5-43812-00-00 | .SEAL, DUST                  | 1        |         |
| 43             | 6H5-43897-00-00 | .O-RING                      | 1        |         |
| 44             | 6H5-43880-01-00 | .MOTOR ASSEMBLY              | 1        |         |
| 45             | 6H5-43826-00-00 | .PLUG, TAPER SCREW           | 3        |         |
| 46             | 6H5-43811-00-00 | .SCREW, CYLINDER END         | 2        |         |
| 47             | 6H5-4381F-00-00 | .BRACKET                     | 1        |         |
| 48             | 6H5-43887-00-00 | .BOLT, THROUGH               | 4        |         |
| 49             | 6H5-43886-00-00 | .BOLT                        | 3        |         |
| 50             | 6H5-43872-00-00 | .RING, BACK UP               | 1        |         |
| 51             | 91316-06020-00  | .BOLT                        | 4        |         |
| 52             | 92995-06100-00  | .WASHER, SPRING              | 12       |         |
| 53             | 95600-12100-00  | .NUT, U                      | 1        |         |

|    |                   |              |   |  |
|----|-------------------|--------------|---|--|
| 54 | (6G1-83127-00-00) | WIRE, LEAD 2 | 1 |  |
| 55 | 6H5-4388A-00-00   | .BOLT        | 1 |  |

C40ELRQ 1992 / REPAIR KIT 1



©2014 Yamaha Motor Corporation, U.S.A. All rights reserved.


## Part List

C40ELRQ 1992 / REPAIR KIT 1

| REF<br>-<br>NO | PART<br>NUMBER  | PART NAME                       | QUANTITY | REMARKS |
|----------------|-----------------|---------------------------------|----------|---------|
| 1              | 6R6-W0001-01-00 | POWER HEAD GASKET KIT           | 1        |         |
| 2              | 676-11181-A0-00 | .GASKET, CYLINDER HEAD 1        | 1        |         |
| 3              | 6E9-11193-A0-00 | .GASKET, HEAD COVER 1           | 1        |         |
| 4              | 6E9-12414-A0-00 | .GASKET, COVER                  | 1        |         |
| 5              | 676-41112-A0-00 | .GASKET, EXHAUST INNER<br>COVER | 1        |         |
| 6              | 6E9-41114-A0-00 | .GASKET, EXHAUST OUTER<br>COVER | 1        |         |
| 7              | 93102-32M07-00  | .OIL SEAL                       | 1        |         |
| 8              | 93210-42159-00  | .O-RING                         | 1        |         |
| 9              | 93101-16M36-00  | .OIL SEAL                       | 1        |         |
| 10             | 93101-28M19-00  | .OIL SEAL                       | 1        |         |
| 11             | 93102-28M08-00  | .OIL SEAL                       | 1        |         |
| 12             | 93210-62269-00  | .O-RING                         | 1        |         |
| 13             | 93210-22M02-00  | .O-RING                         | 1        |         |
| 14             | 676-13646-A0-00 | .GASKET, MANIFOLD 2             | 2        |         |
| 15             | 6E9-14198-A0-00 | .GASKET                         | 1        |         |
| 16             | 93210-37M25-00  | .O-RING                         | 1        |         |
| 17             | 650-24431-A0-00 | .GASKET, FUEL PUMP 1            | 1        |         |
| 18             | 676-45113-A0-00 | .GASKET, UPPER CASING           | 1        |         |
| 19             | 676-45114-A0-00 | .GASKET, UPPER CASING           | 1        |         |
| 20             | 6E9-W0093-02-00 | CARBURETOR REPAIR KIT           | 1        |         |
| 21             | 6E9-14198-A0-00 | .GASKET                         | 1        |         |
| 22             | 97980-04114-00  | .SCREW, WITH WASHER             | 2        |         |
| 23             | 6H3-14590-00-00 | .NEEDLE VALVE ASSEMBLY          | 2        |         |
| 24             | 676-14984-00-00 | .GASKET, FLOAT CHAMBER          | 2        |         |
| 25             | 688-14548-00-00 | .PIN, FLOAT ARM                 | 2        |         |
| 26             | 676-14186-00-00 | .PIN, FLOAT                     | 2        |         |
| 27             | 663-14159-00-00 | .CLIP                           | 2        |         |
| 28             | 676-14985-01-00 | .FLOAT                          | 2        |         |
| 29             | 692-14923-00-00 | .SCREW, PILOT                   | 2        |         |
| 30             | 93210-04228-00  | .O-RING                         | 2        |         |
| 31             | 93210-04230-00  | .O-RING                         | 2        |         |
| 32             | 688-14126-00-00 | .GASKET                         | 4        |         |

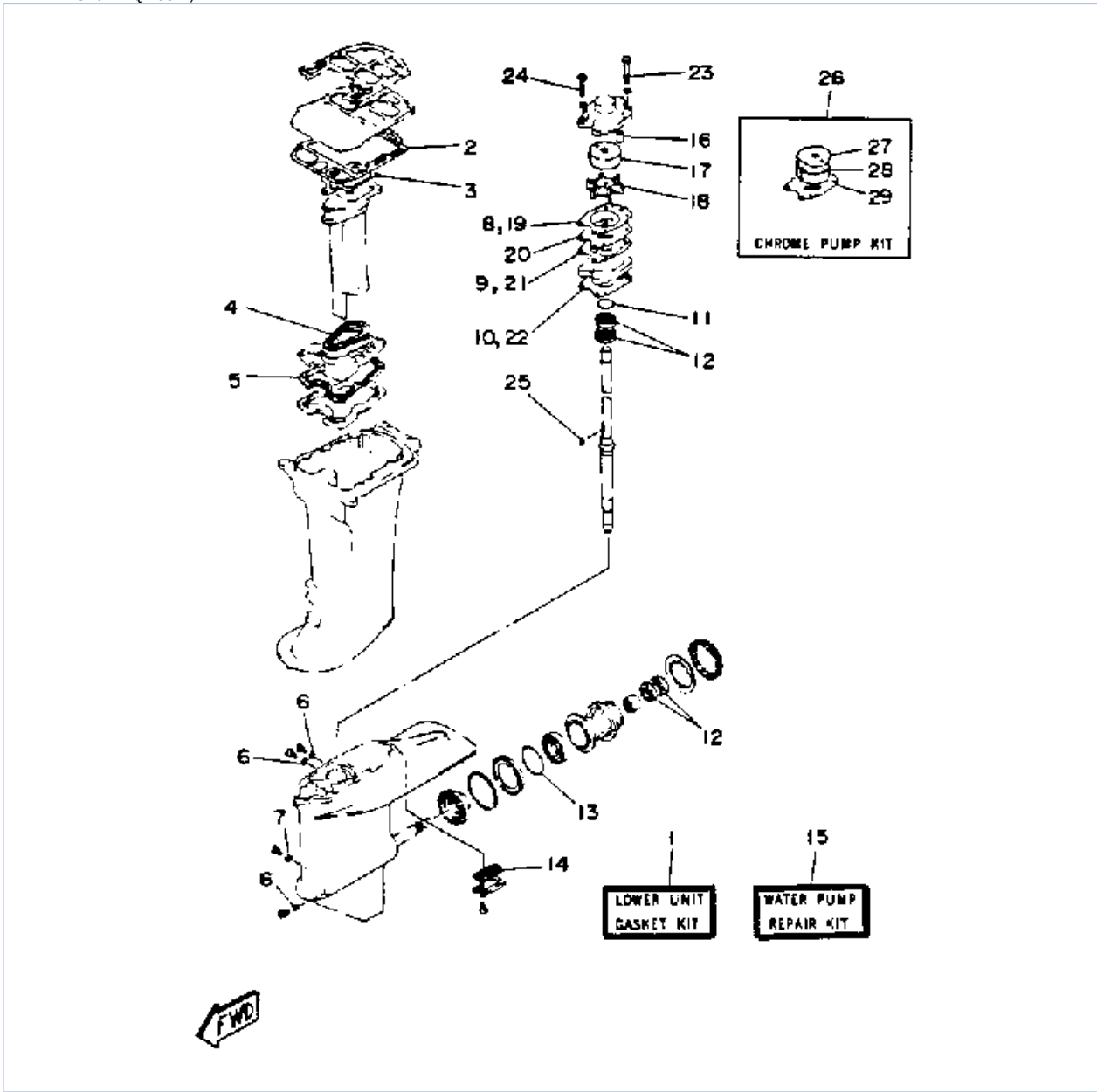
## Part Notes

C40ELRQ 1992 / REPAIR KIT 1

| PART NUMBER                                                                                         | NOTE TEXT                                                                                          |
|-----------------------------------------------------------------------------------------------------|----------------------------------------------------------------------------------------------------|
| 650-24431-A0-00  | OEM: This part number is among the Top 100 Most Popular Marine Maintenance Parts as of March 2014. |

©2014 Yamaha Motor Corporation, U.S.A. All rights reserved.

C40ELRQ 1992 / REPAIR KIT 2



©2014 Yamaha Motor Corporation, U.S.A. All rights reserved.


## Part List

C40ELRQ 1992 / REPAIR KIT 2

| REF - NO | PART NUMBER     | PART NAME                   | QUANTITY | REMARKS |
|----------|-----------------|-----------------------------|----------|---------|
| 1        | 6A0-W0001-21-00 | LOWER UNIT GASKET KIT       | 1        |         |
| 2        | 676-45114-A0-00 | .GASKET, UPPER CASING       | 1        |         |
| 3        | 676-41133-A0-00 | .GASKET, EXHAUST MANIFOLD 1 | 1        |         |
| 4        | 676-45127-00-00 | .SEAL                       | 1        |         |
| 5        | 676-45128-00-00 | .SEAL 2                     | 1        |         |
| 6        | 90430-08020-00  | .GASKET                     | 3        |         |
| 7        | 90430-06M03-00  | .GASKET                     | 1        |         |
| 8        | 676-44315-A0-00 | .GASKET, WATER PUMP         | 1        |         |
| 9        | 676-44324-A0-00 | .GASKET, CARTRIDGE          | 1        |         |
| 10       | 679-44316-A0-00 | .GASKET, WATER PUMP         | 1        |         |
| 11       | 93210-41042-00  | .O-RING                     | 1        |         |
| 12       | 93101-22067-00  | .OIL SEAL                   | 4        |         |
| 13       | 93210-66M98-00  | .O-RING                     | 1        |         |
| 14       | 679-45315-A0-00 | .PACKING, LOWER CASING      | 1        |         |
| 15       | 679-W0078-01-00 | WATER PUMP REPAIR KIT       | 1        |         |
| 16       | 663-44366-00-00 | .DAMPER, WATER SEAL 2       | 1        |         |
| 17       | 676-44322-00-00 | .INSERT, CARTRIDGE          | 1        |         |
| 18       | 6F5-44352-00-00 | .IMPELLER                   | 1        |         |
| 19       | 676-44315-A0-00 | .GASKET, WATER PUMP         | 1        |         |
| 20       | 676-44323-00-00 | .OUTER PLATE, CARTRIDGE     | 1        |         |
| 21       | 676-44324-A0-00 | .GASKET, CARTRIDGE          | 1        |         |
| 22       | 679-44316-A0-00 | .GASKET, WATER PUMP         | 1        |         |
| 23       | 97395-08055-00  | .BOLT                       | 2        |         |
| 24       | 97395-08045-00  | .BOLT                       | 2        |         |
| 25       | 90280-04M00-00  | .KEY, WOODRUFF              | 1        |         |
| 26       | 676-W0078-0A-00 | CHROME PUMP KIT             | 1        |         |
| 27       | 676-44321-40-00 | .INNER PLATE, CARTRIDGE     | 1        |         |
| 28       | 676-44322-40-00 | .INSERT, CARTRIDGE          | 1        |         |
| 29       | 676-44323-40-00 | .OUTER PLATE, CARTRIDGE     | 1        |         |

## Part Notes

C40ELRQ 1992 / REPAIR KIT 2

| PART NUMBER                                                                                        | NOTE TEXT                                                                                          |
|----------------------------------------------------------------------------------------------------|----------------------------------------------------------------------------------------------------|
| 90430-08020-00  | OEM: This part number is among the Top 100 Most Popular Marine Maintenance Parts as of March 2014. |

©2014 Yamaha Motor Corporation, U.S.A. All rights reserved.

©2014 Yamaha Motor Corporation, U.S.A. All rights reserved.