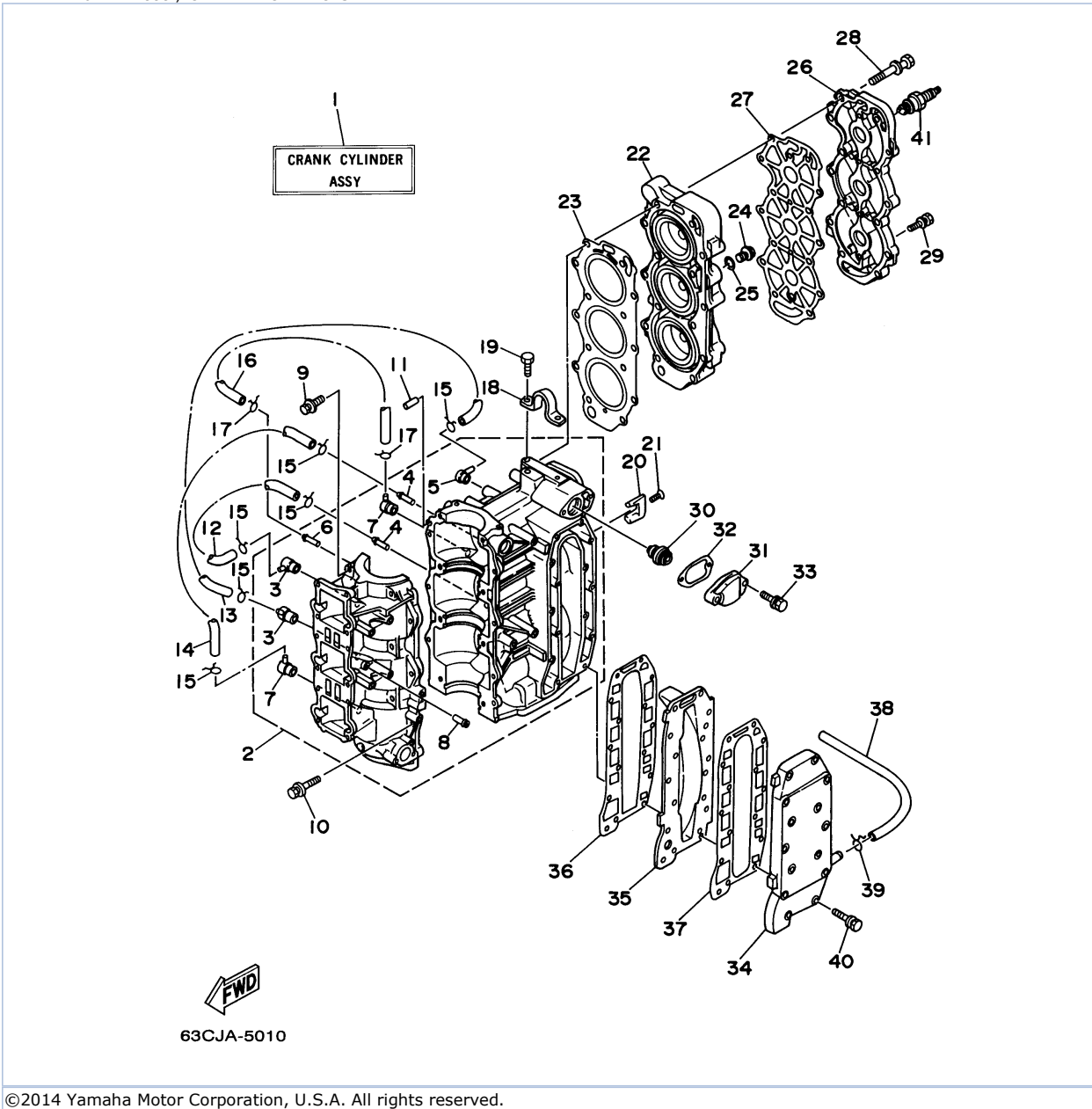


40TLRX 1999 / CYLINDER CRANKCASE




## Part List

40TLRX 1999 / CYLINDER CRANKCASE

| REF - NO | PART NUMBER     | PART NAME                    | QUANTITY | REMARKS |
|----------|-----------------|------------------------------|----------|---------|
| 1        | 63D-W0090-10-4D | CRANK CYLINDER ASSY          | 1        |         |
| 1        | 63D-W0090-30-4D | CRANK CYLINDER ASSY          | 1        |         |
| 2        | 6H4-15100-30-94 | CRANKCASE ASSY               | 1        | UR M    |
| 2        | 6H4-15100-13-94 | CRANKCASE ASSY               | 1        | UR E    |
| 3        | 650-11370-00-00 | .CHECK VALVE ASSY            | 2        |         |
| 4        | 624-14485-00-00 | .PIPE, JOINT                 | 2        |         |
| 5        | 6H4-11372-00-00 | .NIPPLE, HOSE                | 1        |         |
| 6        | 624-14485-00-00 | .PIPE, JOINT                 | 1        |         |
| 7        | 688-11370-00-00 | .CHECK VALVE ASSY            | 2        |         |
| 8        | 650-24378-00-00 | .PIPE, JOINT 4               | 1        | E       |
| 9        | 90119-08M19-00  | BOLT, WITH WASHER            | 8        |         |
| 10       | 90119-06M13-00  | BOLT, WITH WASHER            | 6        |         |
| 11       | 93606-12019-00  | .PIN, DOWEL                  | 2        |         |
| 12       | 90445-07M46-00  | HOSE (L360)                  | 1        |         |
| 13       | 90445-07M27-00  | HOSE (L310)                  | 1        |         |
| 14       | 90445-07M24-00  | HOSE (L240)                  | 1        |         |
| 15       | 90467-06016-00  | CLIP                         | 6        |         |
| 16       | 90445-07MA3-00  | HOSE (L200)                  | 1        |         |
| 17       | 90467-06016-00  | CLIP                         | 2        |         |
| 18       | 6H4-11119-00-00 | HANGER, ENGINE               | 1        |         |
| 19       | 97013-06014-00  | BOLT                         | 2        |         |
| 20       | 688-11325-00-00 | ANODE                        | 2        |         |
| 21       | 98780-04016-00  | SCREW, FLAT HEAD             | 2        |         |
| 22       | 63D-11111-00-94 | HEAD, CYLINDER 1             | 1        |         |
| 23       | 63D-11181-A1-00 | .GASKET, CYLINDER HEAD 1     | 1        |         |
| 24       | 90340-14M00-00  | .PLUG, STRAIGHT SCREW        | 1        |         |
| 25       | 90430-14115-00  | .GASKET                      | 1        |         |
| 26       | 63D-11191-00-9M | COVER, CYLINDER HEAD 1       | 1        |         |
| 27       | 63D-11193-A0-00 | .GASKET, HEAD COVER 1        | 1        |         |
| 28       | 90119-08M29-00  | BOLT, WITH WASHER            | 14       |         |
| 29       | 97513-06225-00  | BOLT, WITH WASHER            | 4        |         |
| 30       | 6E5-12411-20-00 | THERMOSTAT                   | 1        |         |
| 31       | 6H4-12413-00-9M | COVER, THERMOSTAT            | 1        |         |
| 32       | 61A-12414-A0-00 | .GASKET, COVER               | 1        |         |
| 33       | 97513-06225-00  | BOLT, WITH WASHER            | 2        |         |
| 34       | 6H4-41113-00-9M | OUTER COVER, EXHAUST         | 1        |         |
| 35       | 6H4-41111-00-9M | INNER COVER, EXHAUST         | 1        |         |
| 36       | 6H4-41112-A0-00 | .GASKET, EXHAUST INNER COVER | 1        |         |
| 37       | 6H4-41114-A0-00 | GASKET, EXHAUST COVER        | 1        |         |
| 38       | 90445-09M37-00  | HOSE (L240)                  | 1        |         |
| 39       | 90467-08004-00  | CLIP                         | 1        |         |
| 40       | 97513-06235-00  | BOLT, WITH WASHER            | 13       |         |
| 41       | NGK-B8HS1-00-00 | PLUG, SPARK (NGK B8HS-10)    | 3        | UR 50   |
| 41       | NGK-B7HS1-00-00 | PLUG, SPARK (NGK B7HS-10)    | 3        | UR 40   |

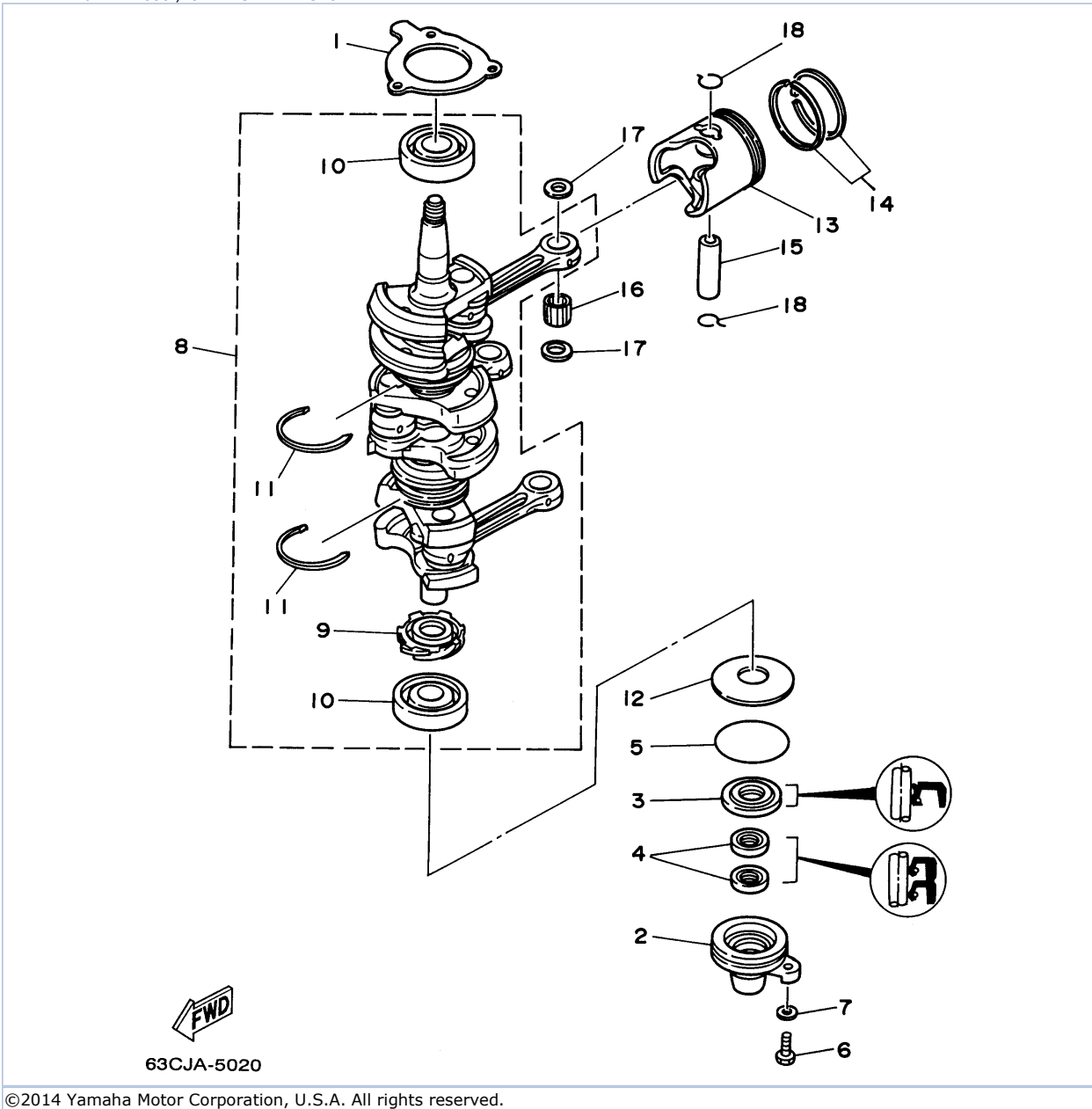
## Part Notes

40TLRX 1999 / CYLINDER CRANKCASE

| PART NUMBER   | NOTE TEXT  |
|---|--|
| 61A-12414-A0-00  | OEM: This part number is among the Top 100 Most Popular Marine Maintenance Parts as of March 2014. |

©2014 Yamaha Motor Corporation, U.S.A. All rights reserved.

40TLRX 1999 / CRANKSHAFT PISTON




## Part List

40TLRX 1999 / CRANKSHAFT PISTON

| REF<br>-<br>NO | PART<br>NUMBER  | PART NAME                    | QUANTITY | REMARKS |
|----------------|-----------------|------------------------------|----------|---------|
| 1              | 6H4-15369-A1-00 | GASKET, OIL SEAL HOUSING     | 1        |         |
| 2              | 6H4-15396-03-5B | HOUSING, OIL SEAL            | 1        |         |
| 3              | 93102-25M28-00  | OIL SEAL                     | 1        |         |
| 4              | 93101-16M36-00  | OIL SEAL                     | 2        |         |
| 5              | 93210-58M21-00  | .O-RING                      | 1        |         |
| 6              | 97095-06020-00  | BOLT                         | 1        |         |
| 7              | 92995-06600-00  | WASHER                       | 1        |         |
| 8              | 6H4-11400-14-00 | CRANKSHAFT ASSY              | 1        |         |
| 9              | 6H4-11536-00-00 | .GEAR, DRIVE                 | 1        |         |
| 10             | 93306-305U8-00  | .BEARING                     | 2        |         |
| 11             | 93440-62057-00  | .CIRCLIP, OUTER              | 2        |         |
| 12             | 90201-50306-00  | WASHER, PLATE                | 1        |         |
| 13             | 6H4-11635-01-00 | PISTON (0.25MM O/S)          | 3        | AP      |
| 13             | 6H4-11631-01-95 | PISTON (STD)                 | 3        |         |
| 13             | 6H4-11636-01-00 | PISTON (0.50MM O/S)          | 3        | AP      |
| 14             | 63D-11605-00-00 | PISTON RING SET (0.50MM O/S) | 3        | AP      |
| 14             | 63D-11604-00-00 | PISTON RING SET (0.25MM O/S) | 3        | AP      |
| 14             | 63D-11603-00-00 | PISTON RING SET (STD)        | 3        |         |
| 15             | 648-11633-00-00 | PIN, PISTON                  | 3        |         |
| 16             | 93602-20M02-00  | PIN, DOWEL                   | 93       |         |
| 17             | 6H4-11641-00-00 | WASHER, PISTON PIN           | 6        |         |
| 18             | 6H4-11634-01-00 | CLIP, PISTON PIN             | 6        |         |

## Part Notes

40TLRX 1999 / CRANKSHAFT PISTON

| PART NUMBER  | NOTE TEXT  |
|--|--|
| 93602-20M02-00  | OEM: This part number is among the Top 100 Most Popular Marine Maintenance Parts as of March 2014. |

©2014 Yamaha Motor Corporation, U.S.A. All rights reserved.

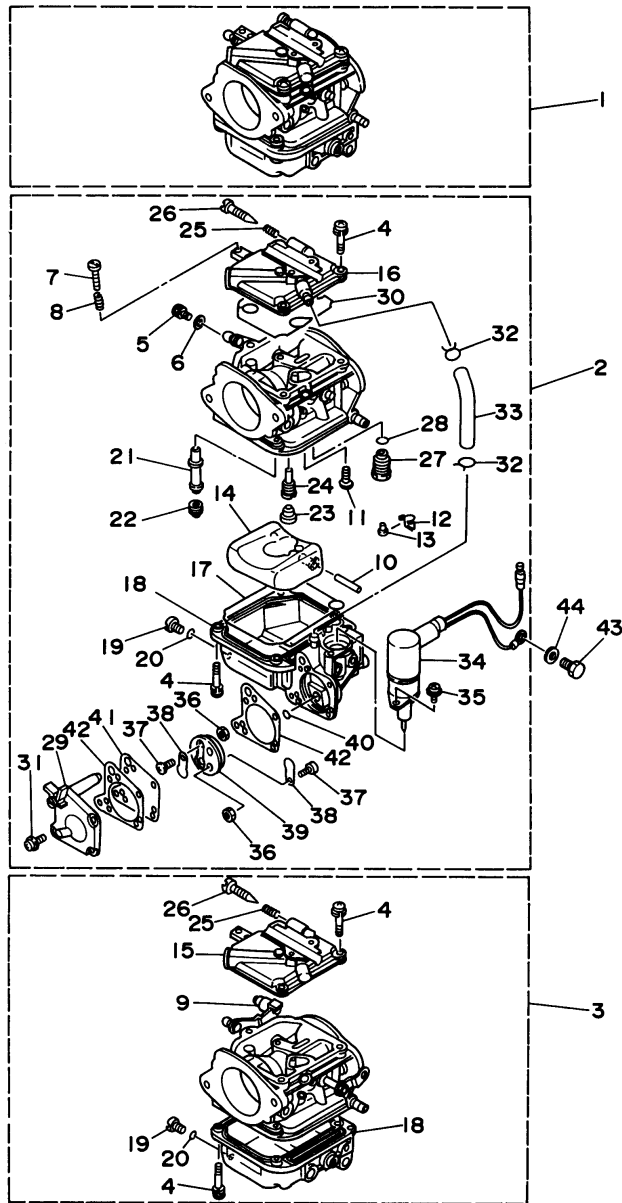


## Part List

40TLRX 1999 / INTAKE

| REF<br>-<br>NO | PART<br>NUMBER  | PART NAME          | QUANTITY | REMARKS |
|----------------|-----------------|--------------------|----------|---------|
| 1              | 6H5-13610-00-00 | REED VALVE ASSY    | 3        |         |
| 2              | 6H4-W0004-00-00 | .REED SET          | 1        |         |
| 3              | 97880-05014-00  | .SCREW, PAN HEAD   | 6        |         |
| 4              | 92990-05600-00  | WASHER, PLATE      | 6        |         |
| 5              | 6H4-13641-12-94 | MANIFOLD 1         | 1        | UR E    |
| 5              | 6H4-13641-30-94 | MANIFOLD 1         | 1        | UR M    |
| 6              | 6H1-14485-00-00 | .PIPE, JOINT       | 4        | UR E    |
| 6              | 6H1-14485-00-00 | .PIPE, JOINT       | 3        | UR M    |
| 7              | 6H4-13624-01-94 | PLATE, REED VALVE  | 1        |         |
| 8              | 6H4-13621-A1-00 | GASKET, VALVE SEAT | 2        |         |
| 9              | 97595-06520-00  | BOLT, WITH WASHER  | 12       |         |
| 10             | 6H4-14198-01-00 | .GASKET            | 3        |         |
| 11             | 6H4-14406-00-00 | HINGE              | 1        |         |
| 12             | 97095-06095-00  | BOLT               | 6        |         |
| 13             | 6H4-14431-02-00 | SILENCER, INTAKE 1 | 1        | UR E    |
| 13             | 6H4-14431-13-00 | SILENCER, INTAKE 1 | 1        | UR M    |
| 14             | 6H3-14457-01-00 | SEAL               | 3        |         |
| 15             | 97885-06040-00  | SCREW, PAN HEAD    | 2        |         |
| 16             | 97885-06055-00  | SCREW, PAN HEAD    | 2        |         |
| 17             | 90209-06M05-00  | WASHER             | 4        |         |
| 18             | 6H4-41257-00-00 | ROD, CHOKE 2       | 2        | M       |
| 19             | 661-41262-02-00 | JOINT, CHOKE LEVER | 4        | M       |
| 20             | 6H4-41271-01-00 | KNOB, CHOKE        | 1        | M       |
| 21             | 6H4-41259-01-00 | ROD, CHOKE 3       | 1        | M       |
| 22             | 6J8-41262-00-00 | JOINT, CHOKE LEVER | 1        | M       |
| 23             | 6J8-41274-00-00 | GROMMET 2          | 1        | M       |
| 24             | 6H4-41217-01-00 | ROD, ACCEL. LEVER  | 1        |         |
| 25             | 6G1-42748-00-00 | GROMMET            | 1        | UR E    |
| 25             | 689-41273-00-00 | GROMMET            | 1        | UR M    |
| 26             | 90464-06M19-00  | CLAMP              | 1        | M       |
| 27             | 90445-07MA5-00  | HOSE (L150)        | 1        | E       |
| 28             | 90467-06016-00  | CLIP               | 2        | E       |
| 29             | 6H3-14349-00-00 | .PIPE              | 1        | E       |
| 30             | 90467-08004-00  | CLIP               | 2        | E       |

40TLRX 1999 / CARBURETOR



©2014 Yamaha Motor Corporation, U.S.A. All rights reserved.

## Part List

40TLRX 1999 / CARBURETOR



| REF - NO | PART NUMBER     | PART NAME              | QUANTITY | REMARKS  |
|----------|-----------------|------------------------|----------|----------|
| 1        | 63D-14301-00-00 | CARBURETOR ASSY 1      | 1        | UR 40-E  |
| 1        | 63B-14301-00-00 | CARBURETOR ASSY 1      | 1        | UR 40-M  |
| 1        | 62X-14301-00-00 | CARBURETOR ASSY 1      | 1        | UR 50    |
| 2        | 63B-14302-00-00 | CARBURETOR ASSY 2      | 1        | UR 40-M  |
| 2        | 62X-14302-00-00 | CARBURETOR ASSY 2      | 1        | UR 50    |
| 2        | 63D-14302-00-00 | CARBURETOR ASSY 2      | 1        | UR 40-E  |
| 3        | 62X-14303-00-00 | CARBURETOR ASSY 3      | 1        | UR 50    |
| 3        | 63D-14303-00-00 | CARBURETOR ASSY 3      | 1        | UR 40-E  |
| 3        | 63B-14303-00-00 | CARBURETOR ASSY 3      | 1        | UR 40-M  |
| 4        | 97980-04114-00  | .SCREW, WITH WASHER    | 21       |          |
| 5        | 6K5-14592-00-00 | .SCREW                 | 3        |          |
| 6        | 90201-05652-00  | .WASHER, PLATE         | 3        |          |
| 7        | 63V-14523-00-00 | .SCREW, STOP           | 1        |          |
| 8        | 90501-10326-00  | .SPRING, COMPRESSION   | 1        |          |
| 9        | 6H2-14578-00-00 | .COLLAR                | 1        |          |
| 10       | 6H4-14548-00-00 | .PIN, FLOAT ARM        | 3        |          |
| 11       | 98580-04008-00  | .SCREW, PAN HEAD       | 3        |          |
| 12       | 663-14159-00-00 | .CLIP                  | 3        |          |
| 13       | 676-14186-00-00 | .PIN, FLOAT            | 3        |          |
| 14       | 6H4-14985-01-00 | .FLOAT                 | 3        |          |
| 15       | 6H4-14146-10-00 | .PLATE                 | 2        | 3        |
| 16       | 6H3-14146-10-00 | .PLATE                 | 1        | UR #2-E  |
| 16       | 6H4-14146-00-00 | .PLATE                 | 1        | UR #2-M  |
| 17       | 6H4-14984-00-00 | .GASKET, FLOAT CHAMBER | 3        |          |
| 18       | 6H4-14980-10-00 | .BODY, FLOAT CHAMBER   | 1        | UR #2-E  |
| 18       | 6H4-14980-00-00 | .BODY, FLOAT CHAMBER   | 2        | 3-E      |
| 18       | 6H4-14980-00-00 | .BODY, FLOAT CHAMBER   | 3        | UR M     |
| 19       | 6H3-14992-00-00 | .SCREW, DRAIN          | 3        |          |
| 20       | 93210-04230-00  | .O-RING                | 3        |          |
| 21       | 63D-14947-00-00 | .JET, NEEDLE           | 3        | UR 40    |
| 21       | 62X-14947-00-00 | .JET, NEEDLE           | 3        | UR50     |
| 22       | 63D-14943-81-00 | .JET, MAIN (#118)      | 1        | UR 40-#2 |
| 22       | 676-14943-30-00 | .JET, MAIN (#115)      | 2        | 3        |
| 22       | 676-14943-33-00 | .JET, MAIN (#130)      | 3        | UR 50    |
| 23       | 676-14966-00-00 | .CAP                   | 3        |          |
| 24       | 6H4-14948-11-00 | .JET (#60)             | 3        | UR 40    |
| 24       | 62X-14948-12-00 | .JET (#62)             | 3        | UR 50    |
| 25       | 679-14555-00-00 | .SPRING                | 3        |          |
| 26       | 692-14923-00-00 | .SCREW, PILOT          | 3        |          |
| 27       | 6H4-14590-00-00 | .NEEDLE VALVE ASSY     | 3        |          |
| 28       | 93210-04228-00  | .O-RING                | 3        |          |
| 29       | 6H3-24452-10-00 | .COVER                 | 1        | E        |
| 30       | 6H4-14147-00-00 | .O-RING                | 3        |          |
| 31       | 6H4-14567-00-00 | .SCREW                 | 4        | E        |
| 32       | 6H3-14137-00-00 | .CLIP                  | 2        | E        |
| 33       | 6H3-14349-00-00 | .PIPE                  | 1        | E        |
| 34       | 63D-14380-00-00 | .PRIME STARTER ASSY    | 1        | E        |
| 35       | 98580-04010-00  | .SCREW, PAN HEAD       | 2        | E        |
| 36       | 95380-03600-00  | .NUT                   | 2        | E        |
| 37       | 98980-03006-00  | .SCREW, BIND           | 2        | E        |
| 38       | 6L5-24421-00-00 | .VALVE, CHECK          | 2        | E        |
| 39       | 6H4-24413-00-00 | .BODY 2                | 1        | E        |
| 40       | 6H4-24486-00-00 | .O-RING                | 1        | E        |
| 41       | 6H3-24411-10-00 | .DIAPHRAGM             | 1        | E        |



|    |                 |               |   |   |
|----|-----------------|---------------|---|---|
| 42 | 6H3-24434-10-00 | .GASKET, BODY | 2 | E |
| 43 | 97013-06012-00  | BOLT          | 1 | E |
| 44 | 92990-06600-00  | WASHER, PLATE | 1 | E |

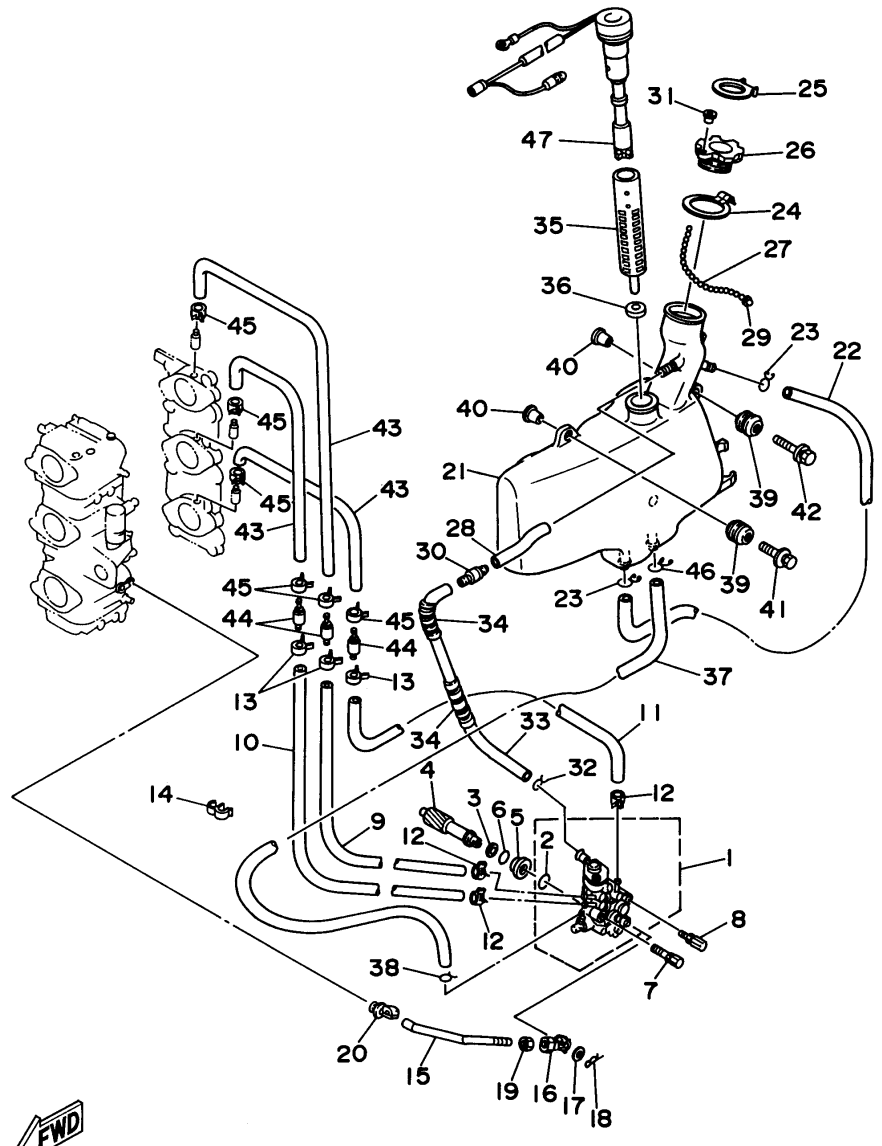
## Part Notes

40TLRX 1999 / CARBURETOR

| PART NUMBER     |   | NOTE TEXT   |
|-----------------|---|---|
| 63D-14380-00-00 |  | OEM: The O-Ring for sealing this part to the carburetor body is not shown separately. The Part Number for the O-Ring is 93210-17001-00. |
| 92990-06600-00  |  | OEM: This part number is among the Top 100 Most Popular Marine Maintenance Parts as of March 2014.                                      |

©2014 Yamaha Motor Corporation, U.S.A. All rights reserved.

40TLRX 1999 / OIL PUMP 1 MANUAL START



63CJA-5050

©2014 Yamaha Motor Corporation, U.S.A. All rights reserved.


## Part List

40TLRX 1999 / OIL PUMP 1 MANUAL START

| REF - NO | PART NUMBER     | PART NAME               | QUANTITY | REMARKS |
|----------|-----------------|-------------------------|----------|---------|
| 1        | 63D-13200-00-00 | OIL INJECTION PUMP ASSY | 1        |         |
| 2        | 93210-19MA7-00  | .O-RING                 | 1        |         |
| 3        | 90201-08M93-00  | WASHER, PLATE           | 1        |         |
| 4        | 6H4-11537-01-00 | GEAR, DRIVEN            | 1        |         |
| 5        | 6H1-13117-01-00 | COLLAR, DISTANCE        | 1        |         |
| 6        | 93210-13M04-00  | O-RING                  | 1        |         |
| 7        | 90109-06M39-00  | BOLT                    | 1        |         |
| 8        | 90109-06M40-00  | BOLT                    | 1        |         |
| 9        | 90445-07M44-00  | HOSE (L250)             | 1        |         |
| 10       | 90445-07M23-00  | HOSE (L408)             | 1        |         |
| 11       | 90445-07MA6-00  | HOSE (L90)              | 1        |         |
| 12       | 90468-07M02-00  | CLIP                    | 3        |         |
| 13       | 90468-07M02-00  | CLIP                    | 3        |         |
| 14       | 90464-07M20-00  | CLAMP                   | 1        |         |
| 15       | 6H4-41241-01-00 | ROD, LINK               | 1        |         |
| 16       | 6H1-41237-00-00 | JOINT, LINK             | 1        |         |
| 17       | 90202-05088-00  | WASHER, PLATE           | 1        |         |
| 18       | 90468-05M03-00  | CLIP                    | 1        |         |
| 19       | 95380-05600-00  | NUT                     | 1        |         |
| 20       | 6E9-41237-00-00 | JOINT, LINK             | 1        |         |
| 21       | 63D-21707-10-00 | OIL TANK COMP.          | 1        |         |
| 22       | 90445-11M15-00  | HOSE (L360)             | 1        |         |
| 23       | 90467-11M08-00  | CLIP                    | 2        |         |
| 24       | 63D-2175R-00-00 | HOOK, BAND              | 1        |         |
| 25       | 63D-2176M-00-00 | HOOK                    | 1        |         |
| 26       | 6H4-21770-00-00 | OIL TANK CAP ASSY       | 1        |         |
| 27       | 6H4-24633-00-00 | CHAIN, BALL             | 1        |         |
| 28       | 90445-11M23-00  | HOSE (L85)              | 1        |         |
| 29       | 6H4-21757-00-00 | WASHER, SPECIAL 1       | 1        |         |
| 30       | 63D-21744-00-00 | BREATHER                | 1        |         |
| 31       | 6H4-24634-00-00 | HOOK, CHAIN BALL        | 1        |         |
| 32       | 90467-10M04-00  | CLIP                    | 1        |         |
| 33       | 90445-11M17-00  | HOSE (L300)             | 1        |         |
| 34       | 90446-10M01-00  | HOSE (L60)              | 2        |         |
| 35       | 6J8-13411-00-00 | STRAINER, OIL           | 1        |         |
| 36       | 6J8-13414-00-00 | GASKET, STRAINER COVER  | 1        |         |
| 37       | 6L2-13416-00-00 | PIPE, OIL 1             | 1        |         |
| 38       | 90467-08004-00  | CLIP                    | 1        |         |
| 39       | 6A0-82317-00-00 | DAMPER, IGNITION COIL   | 3        |         |
| 40       | 624-42542-00-00 | PIPE                    | 3        |         |
| 41       | 90119-06M65-00  | BOLT, WITH WASHER       | 2        |         |
| 42       | 90119-06M67-00  | BOLT, WITH WASHER       | 1        |         |
| 43       | 90445-07M87-00  | HOSE (L110)             | 3        |         |
| 44       | 6E9-13183-70-00 | VALVE, CHECK            | 3        |         |
| 45       | 90468-07M02-00  | CLIP                    | 6        |         |
| 46       | 90467-11M08-00  | CLIP                    | 1        |         |
| 47       | 63D-85720-10-00 | OIL LEVEL GAUGE ASSY    | 1        |         |

## Part Notes

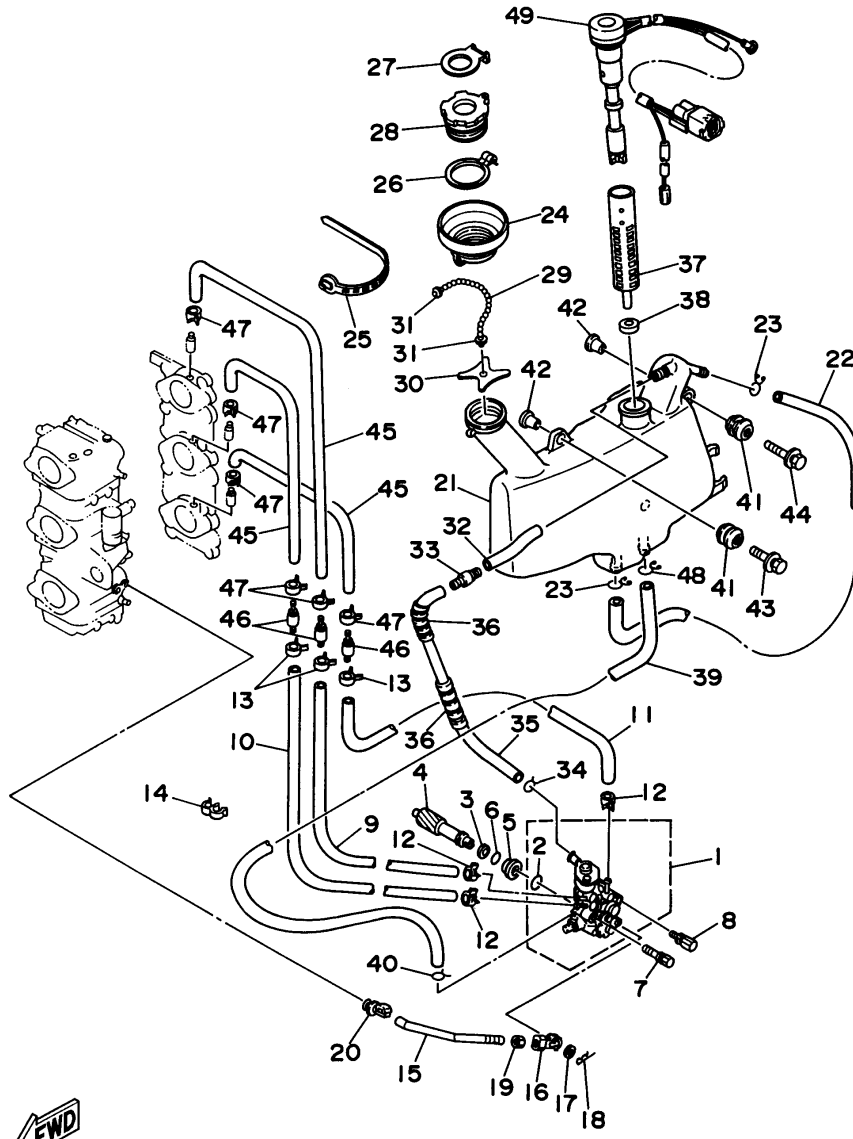
40TLRX 1999 / OIL PUMP 1 MANUAL START

| PART NUMBER     | NOTE TEXT  |
|-----------------|--|
| 6H1-41237-00-00 |  OEM: This part number is among the Top 100 Most Popular Marine Maintenance Parts as of March 2014. |

©2014 Yamaha Motor Corporation, U.S.A. All rights reserved.



40TLRX 1999 / OIL PUMP 2 ELECTRIC START



63CJA-5060

©2014 Yamaha Motor Corporation, U.S.A. All rights reserved.

## Part List

40TLRX 1999 / OIL PUMP 2 ELECTRIC START

| REF - NO | PART NUMBER     | PART NAME               | QUANTITY | REMARKS |
|----------|-----------------|-------------------------|----------|---------|
| 1        | 63D-13200-00-00 | OIL INJECTION PUMP ASSY | 1        |         |
| 2        | 93210-19MA7-00  | .O-RING                 | 1        |         |
| 3        | 90201-08M93-00  | WASHER, PLATE           | 1        |         |
| 4        | 6H4-11537-01-00 | GEAR, DRIVEN            | 1        |         |
| 5        | 6H1-13117-01-00 | COLLAR, DISTANCE        | 1        |         |
| 6        | 93210-13M04-00  | O-RING                  | 1        |         |
| 7        | 90109-06M39-00  | BOLT                    | 1        |         |
| 8        | 90109-06M40-00  | BOLT                    | 1        |         |
| 9        | 90445-07M44-00  | HOSE (L250)             | 1        |         |
| 10       | 90445-07M23-00  | HOSE (L408)             | 1        |         |
| 11       | 90445-07MA6-00  | HOSE (L90)              | 1        |         |
| 12       | 90468-07M02-00  | CLIP                    | 3        |         |
| 13       | 90468-07M02-00  | CLIP                    | 3        |         |
| 14       | 90464-07M20-00  | CLAMP                   | 1        |         |
| 15       | 6H4-41241-01-00 | ROD, LINK               | 1        |         |
| 16       | 6H1-41237-00-00 | JOINT, LINK             | 1        |         |
| 17       | 90202-05088-00  | WASHER, PLATE           | 1        |         |
| 18       | 90468-05M03-00  | CLIP                    | 1        |         |
| 19       | 95380-05600-00  | NUT                     | 1        |         |
| 20       | 6E9-41237-00-00 | JOINT, LINK             | 1        |         |
| 21       | 63D-21707-00-00 | OIL TANK COMP.          | 1        |         |
| 22       | 90445-11M15-00  | HOSE (L360)             | 1        |         |
| 23       | 90467-11M08-00  | CLIP                    | 2        |         |
| 24       | 6H4-21752-00-00 | TUBE, FILLER 1          | 1        |         |
| 25       | 90465-13M30-00  | CLAMP                   | 1        |         |
| 26       | 63D-2175R-00-00 | HOOK, BAND              | 1        |         |
| 27       | 63D-2176M-00-00 | HOOK                    | 1        |         |
| 28       | 6H4-21770-00-00 | OIL TANK CAP ASSY       | 1        |         |
| 29       | 6H5-24633-00-00 | CHAIN, BALL             | 1        |         |
| 30       | 6J8-21758-00-00 | WASHER, SPECIAL 2       | 1        |         |
| 31       | 6H1-21757-00-00 | WASHER, SPECIAL 1       | 2        |         |
| 32       | 90445-11M23-00  | HOSE (L85)              | 1        |         |
| 33       | 63D-21744-00-00 | BREATHER                | 1        |         |
| 34       | 90467-10M04-00  | CLIP                    | 1        |         |
| 35       | 90445-11M17-00  | HOSE (L300)             | 1        |         |
| 36       | 90446-10M01-00  | HOSE (L60)              | 2        |         |
| 37       | 6J8-13411-00-00 | STRAINER, OIL           | 1        |         |
| 38       | 6J8-13414-00-00 | GASKET, STRAINER COVER  | 1        |         |
| 39       | 6L2-13416-00-00 | PIPE, OIL 1             | 1        |         |
| 40       | 90467-08004-00  | CLIP                    | 1        |         |
| 41       | 6A0-82317-00-00 | DAMPER, IGNITION COIL   | 3        |         |
| 42       | 624-42542-00-00 | PIPE                    | 3        |         |
| 43       | 90119-06M65-00  | BOLT, WITH WASHER       | 2        |         |
| 44       | 90119-06M67-00  | BOLT, WITH WASHER       | 1        |         |
| 45       | 90445-07M87-00  | HOSE (L110)             | 3        |         |
| 46       | 6E9-13183-70-00 | VALVE, CHECK            | 3        |         |
| 47       | 90468-07M02-00  | CLIP                    | 6        |         |
| 48       | 90467-11M08-00  | CLIP                    | 1        |         |
| 49       | 63D-85720-00-00 | OIL LEVEL GAUGE ASSY    | 1        |         |

## Part Notes

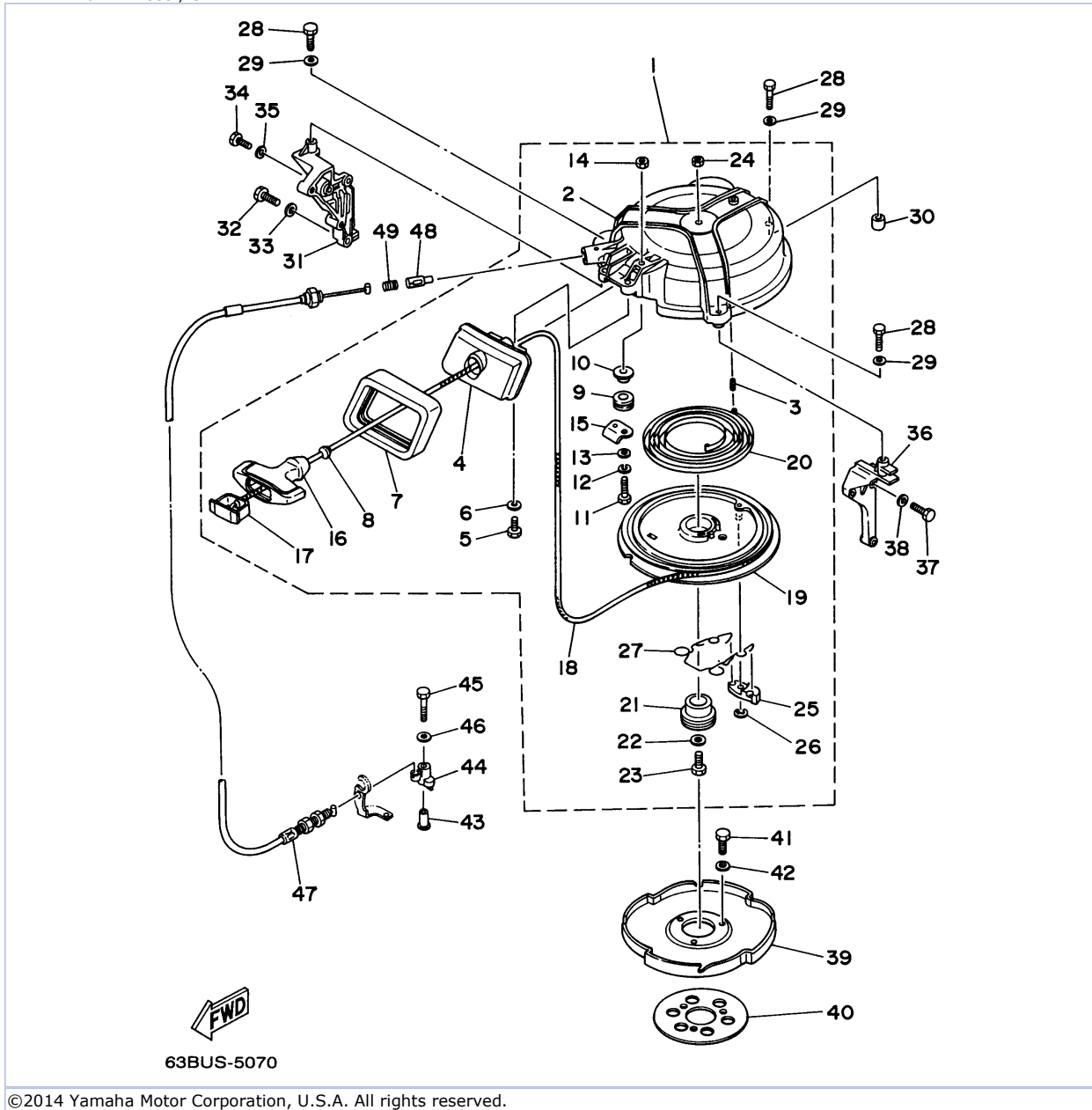
40TLRX 1999 / OIL PUMP 2 ELECTRIC START

| PART NUMBER     | NOTE TEXT  |
|-----------------|--|
| 6H1-41237-00-00 | OEM: This part number is among the Top 100 Most Popular Marine Maintenance Parts as of March 2014. |



©2014 Yamaha Motor Corporation, U.S.A. All rights reserved.

40TLRX 1999 / STARTER





## Part List

40TLRX 1999 / STARTER

| REF<br>-<br>NO | PART<br>NUMBER  | PART NAME                    | QUANTITY | REMARKS |
|----------------|-----------------|------------------------------|----------|---------|
| 1              | 6H4-15710-04-4D | STARTER ASSY                 | 1        |         |
| 2              | 6H4-15711-02-94 | .CASE, STARTER               | 1        |         |
| 3              | 91690-40018-00  | .PIN, SPRING                 | 1        |         |
| 4              | 6H4-15758-01-4D | .GUIDE, ROPE                 | 1        |         |
| 5              | 97095-06016-00  | .BOLT                        | 2        |         |
| 6              | 92990-06600-00  | .WASHER, PLATE               | 2        |         |
| 7              | 6H4-15762-00-00 | .SEAL, RUBBER 2              | 1        |         |
| 8              | 6A0-15789-00-00 | .DAMPER                      | 1        |         |
| 9              | 6F5-15752-00-00 | .ROLLER, WIRE                | 1        |         |
| 10             | 90387-06M69-00  | .COLLAR                      | 1        |         |
| 11             | 97095-06030-00  | .BOLT                        | 1        |         |
| 12             | 92995-06100-00  | .WASHER, SPRING              | 1        |         |
| 13             | 92990-06600-00  | .WASHER, PLATE               | 1        |         |
| 14             | 95380-06600-00  | .NUT, HEXAGON                | 1        |         |
| 15             | 6H4-15787-01-00 | .STAY                        | 1        |         |
| 16             | 689-15755-01-00 | .HANDLE, STARTER             | 1        |         |
| 17             | 6F5-15779-02-00 | .COVER                       | 1        |         |
| 18             | 90580-50M01-00  | ROPE, STARTER                | 1        |         |
| 19             | 6H4-15714-00-00 | .DRUM, SHEAVE                | 1        |         |
| 20             | 90510-08002-00  | .SPRING, SPIRAL              | 1        |         |
| 21             | 6H4-15717-01-00 | .SHAFT, STARTER              | 1        |         |
| 22             | 90201-065F3-00  | .WASHER, PLATE               | 1        |         |
| 23             | 97095-06020-00  | .BOLT                        | 1        |         |
| 24             | 95380-06600-00  | .NUT, HEXAGON                | 1        |         |
| 25             | 676-15741-03-00 | .PAWL, DRIVE                 | 1        |         |
| 26             | 93430-06M02-00  | .CIRCLIP                     | 1        |         |
| 27             | 6H4-15705-00-00 | .SPRING, DRIVE PAWL          | 1        |         |
| 28             | 97095-06035-00  | BOLT                         | 3        |         |
| 29             | 92990-06600-00  | WASHER, PLATE                | 3        |         |
| 30             | 99530-10014-00  | PIN, DOWEL                   | 1        |         |
| 31             | 63D-15771-00-4D | STAY 1                       | 1        |         |
| 32             | 97013-08025-00  | BOLT                         | 2        |         |
| 33             | 92990-08600-00  | .WASHER, PLATE               | 2        |         |
| 34             | 97095-06020-00  | BOLT                         | 1        |         |
| 35             | 92990-06600-00  | WASHER, PLATE                | 1        |         |
| 36             | 6H4-15772-02-94 | STAY 2                       | 1        |         |
| 37             | 97095-06025-00  | BOLT                         | 3        |         |
| 38             | 92990-06600-00  | WASHER, PLATE                | 3        |         |
| 39             | 6H4-15723-01-94 | PULLEY, STARTER              | 1        |         |
| 40             | 6J8-81365-A0-00 | GASKET, HOLE COVER           | 1        |         |
| 41             | 97013-08020-00  | BOLT                         | 3        |         |
| 42             | 92903-08600-00  | WASHER, PLATE                | 3        |         |
| 43             | 90387-06M66-00  | COLLAR                       | 1        |         |
| 44             | 63D-15746-00-00 | ARM                          | 1        |         |
| 45             | 97095-06040-00  | .BOLT                        | 1        |         |
| 46             | 92990-06600-00  | WASHER, PLATE                | 1        |         |
| 47             | 63D-15770-00-00 | CABLE COMP., STARTER<br>STOP | 1        |         |
| 48             | 656-15748-00-00 | PLUNGER, STARTER STOP        | 1        |         |
| 49             | 90501-10227-00  | SPRING, COMPRESSION          | 1        |         |

## Part Notes

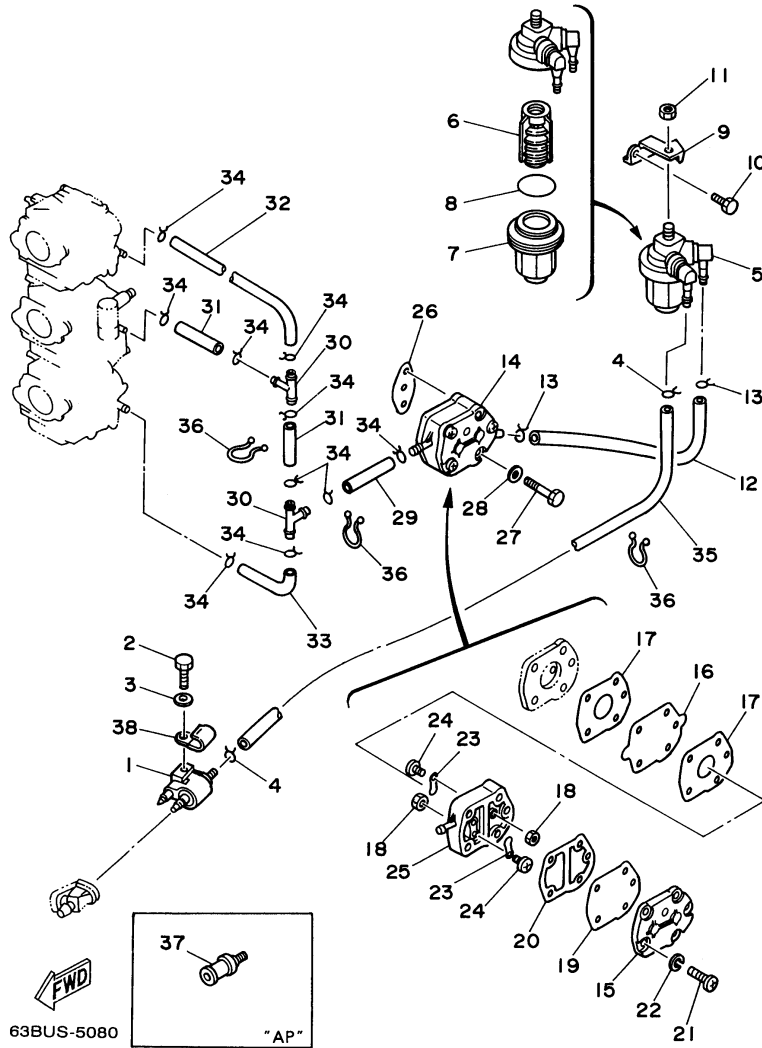
40TLRX 1999 / STARTER

| PART NUMBER | NOTE TEXT |
|-------------|-----------|
|-------------|-----------|

|                |   |  |
|----------------|---|--|
| 92990-06600-00 |  | OEM: This part number is among the Top 100 Most Popular Marine Maintenance Parts as of March 2014. |
| 92990-06600-00 |  | OEM: This part number is among the Top 100 Most Popular Marine Maintenance Parts as of March 2014. |
| 92990-06600-00 |  | OEM: This part number is among the Top 100 Most Popular Marine Maintenance Parts as of March 2014. |
| 92990-06600-00 |  | OEM: This part number is among the Top 100 Most Popular Marine Maintenance Parts as of March 2014. |
| 92990-06600-00 |  | OEM: This part number is among the Top 100 Most Popular Marine Maintenance Parts as of March 2014. |
| 92990-06600-00 |  | OEM: This part number is among the Top 100 Most Popular Marine Maintenance Parts as of March 2014. |

©2014 Yamaha Motor Corporation, U.S.A. All rights reserved.

40TLRX 1999 / FUEL



©2014 Yamaha Motor Corporation, U.S.A. All rights reserved.



## Part List

40TLRX 1999 / FUEL

| REF - NO | PART NUMBER     | PART NAME               | QUANTITY | REMARKS   |
|----------|-----------------|-------------------------|----------|-----------|
| 1        | 6G1-24304-02-00 | FUEL PIPE JOINT COMP. 1 | 1        |           |
| 2        | 97095-06025-00  | BOLT                    | 1        |           |
| 3        | 92995-06600-00  | WASHER                  | 1        |           |
| 4        | 90467-08004-00  | CLIP                    | 2        |           |
| 5        | 61N-24560-00-00 | FILTER ASSY             | 1        |           |
| 6        | 61N-24563-00-00 | .ELEMENT, FILTER        | 1        |           |
| 7        | 61N-24521-00-00 | .CUP, FILTER            | 1        |           |
| 8        | 93210-32738-00  | .O-RING                 | 1        |           |
| 9        | 6H4-24566-01-00 | BRACKET, FILTER         | 1        |           |
| 10       | 97013-06014-00  | BOLT                    | 1        |           |
| 11       | 95380-08600-00  | NUT                     | 1        |           |
| 12       | 6H4-24314-00-00 | PIPE 4                  | 1        |           |
| 13       | 90467-08004-00  | CLIP                    | 2        |           |
| 14       | 692-24410-00-00 | FUEL PUMP ASSY          | 1        |           |
| 15       | 6A0-24413-00-00 | .BODY 2                 | 1        |           |
| 16       | 692-24411-00-00 | .DIAPHRAGM              | 1        |           |
| 17       | 648-24434-01-00 | .GASKET, BODY           | 2        |           |
| 18       | 95380-03600-00  | .NUT                    | 2        |           |
| 19       | 663-24411-00-00 | .DIAPHRAGM              | 1        |           |
| 20       | 648-24435-02-00 | .GASKET, BODY 2         | 1        |           |
| 21       | 98503-05028-00  | .SCREW, PAN HEAD        | 3        |           |
| 22       | 92990-05100-00  | .WASHER, SPRING         | 3        |           |
| 23       | 6A0-24421-01-00 | .VALVE, CHECK           | 2        |           |
| 24       | 6A0-14325-00-00 | .SCREW, PAN HEAD        | 2        |           |
| 25       | 6A0-24412-02-00 | .BODY 1                 | 1        |           |
| 26       | 650-24431-A0-00 | GASKET, FUEL PUMP 1     | 1        |           |
| 27       | 97095-06040-00  | .BOLT                   | 2        |           |
| 28       | 92995-06600-00  | WASHER                  | 2        |           |
| 29       | 90445-09063-00  | HOSE (L80)              | 1        |           |
| 30       | 688-24378-00-00 | PIPE, JOINT 3           | 2        |           |
| 31       | 90445-09057-00  | HOSE (L43)              | 2        |           |
| 32       | 6H4-24313-00-00 | PIPE 3                  | 1        |           |
| 33       | 6H4-24312-00-00 | PIPE 2                  | 1        |           |
| 34       | 90467-08004-00  | CLIP                    | 10       |           |
| 35       | 6H4-24311-00-00 | PIPE, FUEL 1            | 1        |           |
| 36       | 90464-15M11-00  | CLAMP                   | 3        |           |
| 37       | 6E0-28193-00-94 | PLUG, WATER CHECK       | 1        | AP D:12.5 |
| 38       | 90465-08M07-00  | CLAMP                   | 1        | UR        |

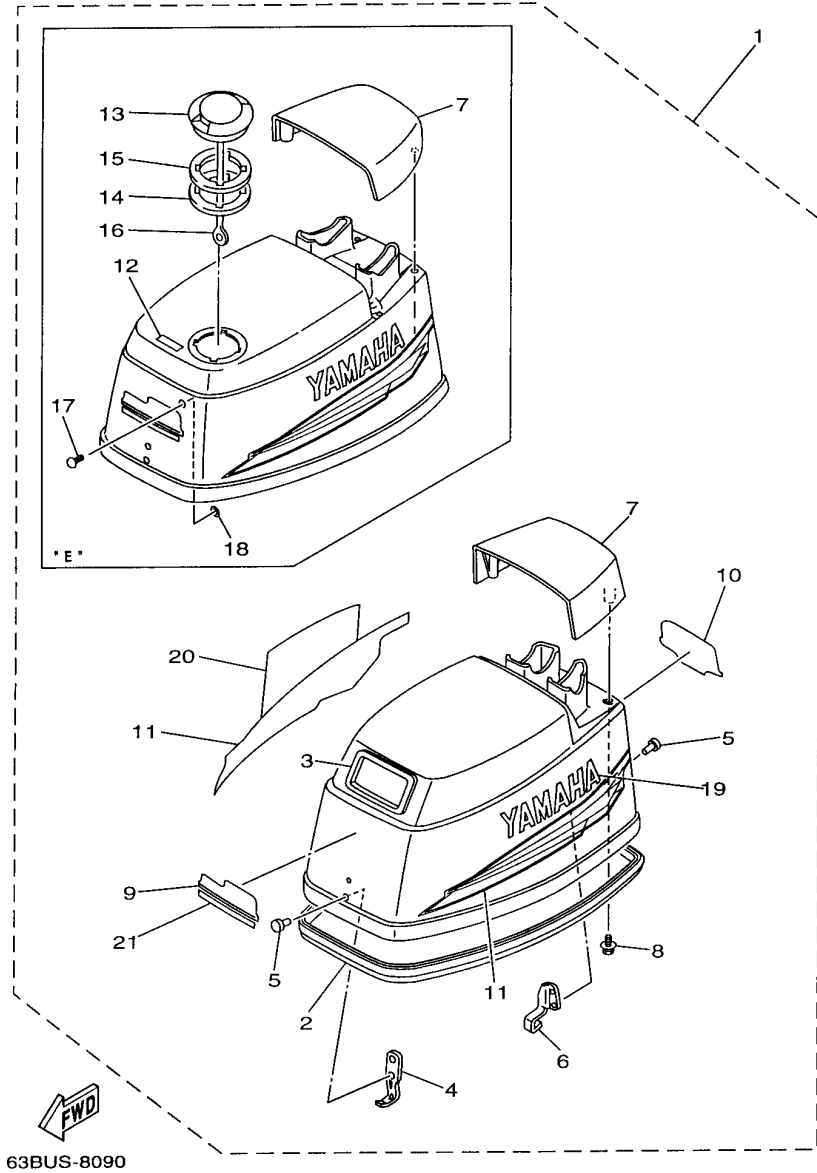
## Part Notes

40TLRX 1999 / FUEL

| PART NUMBER   | NOTE TEXT  |
|---|--|
| 692-24410-00-00  | OEM: This part number is among the Top 100 Most Popular Marine Maintenance Parts as of March 2014. |
| 650-24431-A0-00  | OEM: This part number is among the Top 100 Most Popular Marine Maintenance Parts as of March 2014. |

©2014 Yamaha Motor Corporation, U.S.A. All rights reserved.

40TLRX 1999 / TOP COWLING



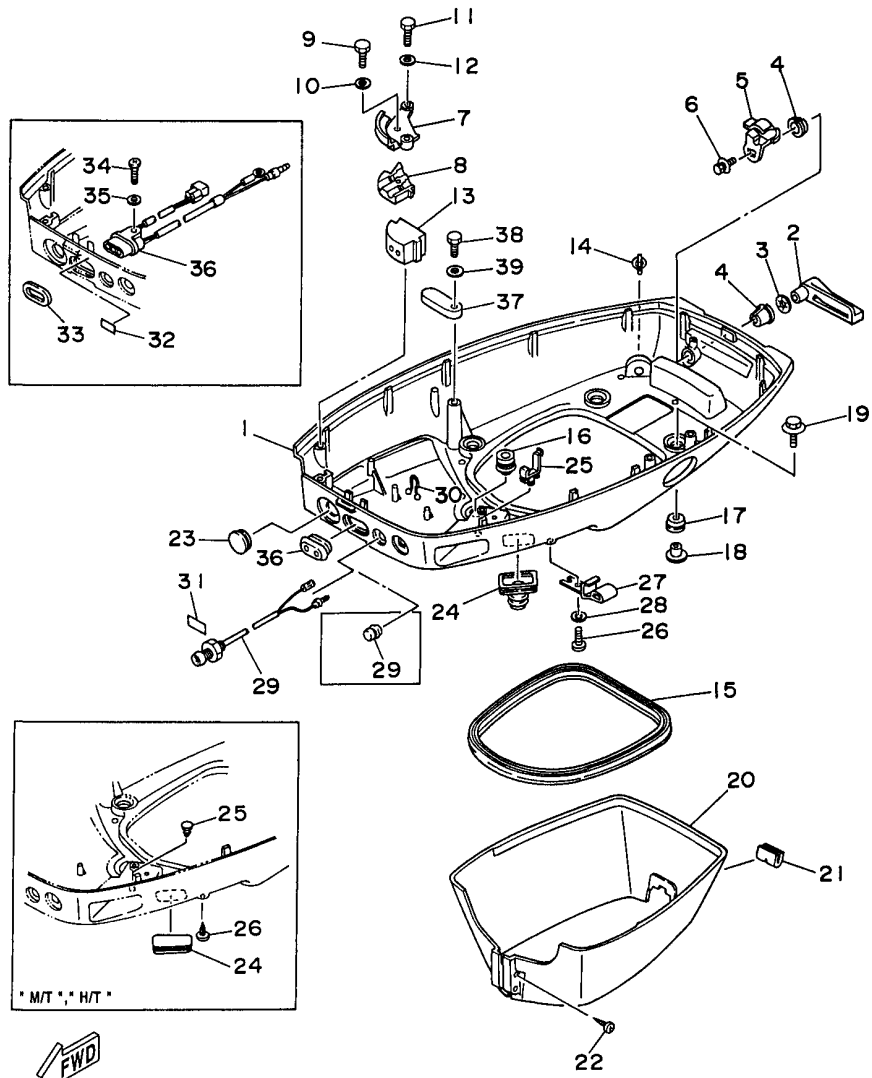
©2014 Yamaha Motor Corporation, U.S.A. All rights reserved.

## Part List

40TLRX 1999 / TOP COWLING

| REF<br>-<br>NO | PART<br>NUMBER  | PART NAME          | QUANTITY | REMARKS        |
|----------------|-----------------|--------------------|----------|----------------|
| 1              | 63D-42610-40-4D | TOP COWLING ASSY   | 1        | UR 40ER/TR     |
| 1              | 63D-42610-R0-4D | TOP COWLING ASSY   | 1        |                |
| 1              | 63B-42610-20-4D | TOP COWLING ASSY   | 1        | UR 40MH        |
| 2              | 6H4-42615-00-00 | .SEAL              | 1        |                |
| 3              | 6H4-15761-00-00 | .SEAL, RUBBER 1    | 1        | 40M(J)H        |
| 4              | 6H4-42651-00-00 | .HOOK              | 1        |                |
| 5              | 90266-04M01-00  | .RIVET             | 4        |                |
| 6              | 6H4-42652-00-00 | .HOOK              | 1        |                |
| 7              | 6H4-42613-11-4D | .MOLDING, AIR DUCT | 1        | UR             |
| 7              | 6H4-42613-01-4D | .MOLDING, AIR DUCT | 1        | UR 40M(J)H     |
| 8              | 90119-06M99-00  | .BOLT, WITH WASHER | 4        |                |
| 9              | 63D-42677-11-00 | .GRAPHIC, FRONT    | 1        | UR 40MH/ ER/TR |
| 9              | 63D-42677-P1-00 | .GRAPHIC, FRONT    | 1        |                |
| 10             | 63D-42678-11-00 | .GRAPHIC, REAR     | 1        | UR 40MH/ ER/TR |
| 10             | 63D-42678-P1-00 | GRAPHIC, REAR      | 1        |                |
| 11             | 63D-W0070-10-00 | .GRAPHIC SET       | 1        | UR             |
| 11             | 63D-W0070-N0-00 | .GRAPHIC SET       | 1        | UR P40TH       |
| 12             | 63D-13436-40-00 | .MARK              | 1        |                |
| 13             | 63D-2177H-00-00 | .DISK CAP 2        | 1        | E              |
| 14             | 6H3-21732-00-00 | .SEAL 1            | 1        | E              |
| 15             | 6H3-21735-00-00 | .SEAL 2            | 1        | E              |
| 16             | 6H1-42694-00-00 | .BAND              | 1        | E              |
| 17             | 90338-05M03-00  | .PLUG              | 1        | E              |
| 18             | 90183-05M06-00  | .NUT, SPRING       | 1        | E              |
| 19             | 63D-42681-10-00 | .MARK, COWLING     | 1        |                |
| 20             | 63D-42682-10-00 | .MARK, COWLING     | 1        |                |
| 21             | 63D-42683-20-00 | .MARK, COWLING     | 1        |                |

40TLRX 1999 / BOTTOM COWLING



63BUS-5101

©2014 Yamaha Motor Corporation, U.S.A. All rights reserved.

## Part List

40TLRX 1999 / BOTTOM COWLING




| REF - NO | PART NUMBER     | PART NAME                   | QUANTITY | REMARKS |
|----------|-----------------|-----------------------------|----------|---------|
| 1        | 6H4-42711-07-4D | COWLING, BOTTOM             | 1        | UR      |
| 1        | 6H4-42711-25-4D | COWLING, BOTTOM 1           | 1        | UR PTT  |
| 2        | 6H4-42815-00-00 | LEVER, CLAMP                | 1        |         |
| 3        | 90206-12052-00  | WASHER, WAVE                | 1        |         |
| 4        | 90386-12069-00  | BUSH                        | 2        |         |
| 5        | 6H4-42816-00-00 | LEVER, CLAMP                | 1        |         |
| 6        | 90119-06M73-00  | BOLT, WITH WASHER           | 1        |         |
| 7        | 6H4-48531-11-94 | BRACKET, REMOTE CONTROL 1   | 1        |         |
| 8        | 6H4-48532-11-94 | BRACKET, REMOTE CONTROL 2   | 1        |         |
| 9        | 97095-05016-00  | .BOLT                       | 1        |         |
| 10       | 92995-05600-00  | WASHER                      | 1        |         |
| 11       | 97095-06020-00  | BOLT                        | 2        |         |
| 12       | 92995-06600-00  | WASHER                      | 2        |         |
| 13       | 6H4-42724-20-00 | GROMMET                     | 1        | UR      |
| 13       | 6H4-42724-00-00 | GROMMET                     | 1        | UR M    |
| 14       | 6E5-44391-00-00 | NIPPLE, HOSE                | 1        |         |
| 15       | 6H4-42716-00-00 | RUBBER, SEAL 1              | 1        |         |
| 16       | 6E5-42724-00-00 | GROMMET                     | 1        |         |
| 17       | 90480-09M21-00  | GROMMET                     | 4        |         |
| 18       | 90387-06M41-00  | COLLAR                      | 4        |         |
| 19       | 90119-06M61-00  | BOLT, WITH WASHER           | 4        |         |
| 20       | 63D-42741-00-4D | APRON                       | 1        |         |
| 21       | 63D-42717-00-00 | RUBBER, SEAL 2              | 1        |         |
| 22       | 97780-60525-00  | SCREW, TAPPING              | 2        |         |
| 23       | 676-42726-00-00 | GROMMET                     | 1        | UR      |
| 23       | 6H4-42726-40-00 | GROMMET                     | 1        | UR M    |
| 24       | 6H4-42726-00-00 | GROMMET                     | 1        | UR M/T  |
| 24       | 688-42726-10-00 | GROMMET                     | 1        | UR PTT  |
| 25       | 90464-09M13-00  | CLAMP                       | 1        | UR PTT  |
| 25       | 703-82119-00-00 | COVER, LEAD WIRE            | 1        | UR M/T  |
| 26       | 90338-05M03-00  | PLUG                        | 1        | UR M/T  |
| 26       | 90157-06M01-00  | SCREW, PAN HEAD             | 1        | UR PTT  |
| 27       | 6E5-24367-01-00 | CLAMP, FUEL PIPE 2          | 1        | PTT     |
| 28       | 92990-06600-00  | WASHER, PLATE               | 1        | PTT     |
| 29       | 6J8-85410-00-00 | EMERGENCY SIGNAL LIGHT ASSY | 1        | UR      |
| 29       | 6H4-42725-00-00 | GROMMET                     | 1        | UR      |
| 30       | 90465-08M07-00  | CLAMP                       | 1        | UR      |
| 31       | 6H4-85415-10-00 | MARK, SIGNAL LAMP           | 1        | UR      |
| 32       | 63D-84342-00-00 | SEAT, EMBLEM                | 1        | UR      |
| 33       | 6H4-83589-00-00 | GASKET                      | 1        | UR      |
| 34       | 97880-06014-00  | SCREW, PAN HEAD             | 1        | UR      |
| 35       | 92990-06600-00  | WASHER, PLATE               | 1        | UR      |
| 36       | 63D-84301-00-00 | PILOT LIGHT ASSY 1          | 1        | UR      |
| 36       | 6H3-42727-00-00 | GROMMET                     | 1        | UR      |
| 37       | 6E5-82588-00-00 | PLATE                       | 1        |         |
| 38       | 97095-06020-00  | BOLT                        | 1        |         |
| 39       | 92990-06600-00  | WASHER, PLATE               | 1        |         |

## Part Notes

40TLRX 1999 / BOTTOM COWLING

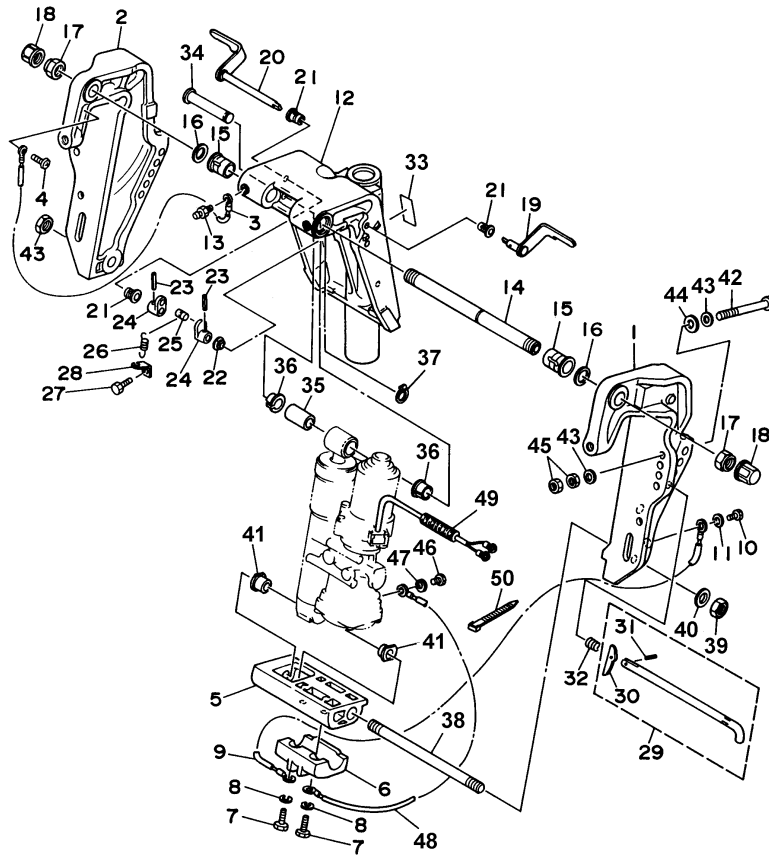
| PART NUMBER    | NOTE TEXT  |
|----------------|--|
| 92990-06600-00 | OEM: This part number is among the Top 100 Most Popular Marine Maintenance Parts as of March 2014. |



|                |   |  |
|----------------|---|--|
|                |  |  |
| 92990-06600-00 |  | OEM: This part number is among the Top 100 Most Popular Marine Maintenance Parts as of March 2014. |
| 92990-06600-00 |  | OEM: This part number is among the Top 100 Most Popular Marine Maintenance Parts as of March 2014. |

©2014 Yamaha Motor Corporation, U.S.A. All rights reserved.

40TLRX 1999 / BRACKET 1 POWER TRIM TILT



  
63CJA-5110

©2014 Yamaha Motor Corporation, U.S.A. All rights reserved.


## Part List

40TLRX 1999 / BRACKET 1 POWER TRIM TILT

| REF - NO | PART NUMBER     | PART NAME              | QUANTITY | REMARKS  |
|----------|-----------------|------------------------|----------|----------|
| 1        | 63D-43111-00-4D | BRACKET, CLAMP         | 1        |          |
| 2        | 63D-43112-00-4D | BRACKET, CLAMP         | 1        |          |
| 3        | 63D-82148-00-00 | WIRE, LEAD 4           | 1        |          |
| 4        | 97885-06008-00  | SCREW, PAN HEAD        | 1        |          |
| 5        | 63D-43128-01-4D | SPACER, CLAMP BRACKET  | 1        |          |
| 6        | 63D-45251-00-00 | ANODE                  | 1        |          |
| 7        | 97095-06025-00  | BOLT                   | 2        |          |
| 8        | 92995-06100-00  | WASHER, SPRING         | 2        |          |
| 9        | 6H1-82148-00-00 | WIRE, LEAD 4           | 1        |          |
| 10       | 97095-06010-00  | BOLT                   | 1        |          |
| 11       | 92995-06600-00  | WASHER                 | 1        |          |
| 12       | 63D-43311-10-4D | BRACKET, SWIVEL        | 1        | UR LONG  |
| 12       | 63D-43311-00-4D | BRACKET, SWIVEL        | 1        | UR SHORT |
| 13       | 93700-06M03-00  | NIPPLE, GREASE         | 3        |          |
| 14       | 63D-43131-00-00 | BOLT, CLAMP BRACKET    | 1        |          |
| 15       | 90386-22M15-00  | BUSH                   | 2        |          |
| 16       | 90201-22M03-00  | WASHER, PLATE          | 2        |          |
| 17       | 90185-22M11-00  | NUT, SELF-LOCKING      | 2        |          |
| 18       | 6G5-43145-00-00 | CAP, CLAMP BRACKET     | 2        |          |
| 19       | 6H5-43181-03-00 | LEVER, TILT STOP       | 1        |          |
| 20       | 6H5-43185-03-00 | LEVER, TILT STOP       | 1        |          |
| 21       | 90386-10M16-00  | BUSH                   | 3        |          |
| 22       | 90386-10025-00  | .BUSH                  | 1        |          |
| 23       | 91690-30020-00  | PIN, SPRING            | 2        |          |
| 24       | 6G5-43148-00-00 | COLLAR, DISTANCE       | 2        |          |
| 25       | 90249-06M19-00  | PIN                    | 1        |          |
| 26       | 90506-14M24-00  | SPRING, TENSION        | 1        |          |
| 27       | 97095-06010-00  | BOLT                   | 1        |          |
| 28       | 6G5-43144-00-00 | HOOK, SPRING           | 1        |          |
| 29       | 688-43160-01-00 | TILT ROD ASSY          | 1        |          |
| 30       | 688-43165-00-00 | .PLATE, TILT LOCK      | 1        |          |
| 31       | 91690-30012-00  | .PIN, SPRING           | 1        |          |
| 32       | 90502-16M02-00  | SPRING, CONICAL        | 1        |          |
| 33       | 63D-43691-00-00 | INDICATOR, TILT        | 1        |          |
| 34       | 6E5-43126-02-00 | PIN, UPPER SHOCK MOUNT | 1        |          |
| 35       | 90386-18M92-00  | BUSH                   | 1        |          |
| 36       | 90386-18M35-00  | BUSH                   | 2        |          |
| 37       | 93410-18M02-00  | CIRCLIP                | 1        |          |
| 38       | 90116-18M52-00  | BOLT, STUD             | 1        |          |
| 39       | 90170-18M10-00  | NUT                    | 2        |          |
| 40       | 92995-18600-00  | WASHER                 | 1        |          |
| 41       | 90386-18M44-00  | BUSH                   | 2        |          |
| 42       | 90101-12M65-00  | BOLT                   | 4        | AP       |
| 43       | 92995-12200-00  | WASHER                 | 8        | AP       |
| 44       | 90201-12426-00  | WASHER, PLATE          | 4        | AP       |
| 45       | 95380-12600-00  | NUT                    | 8        | AP       |
| 46       | 97095-06010-00  | BOLT                   | 1        | PTT      |
| 47       | 92990-06600-00  | WASHER, PLATE          | 1        | PTT      |
| 48       | 6H1-82148-00-00 | WIRE, LEAD 4           | 1        | PTT      |
| 49       | 90440-14M00-00  | PIPE                   | 1        | PTT      |
| 50       | 90465-11M10-00  | CLAMP                  | 3        | PTT      |

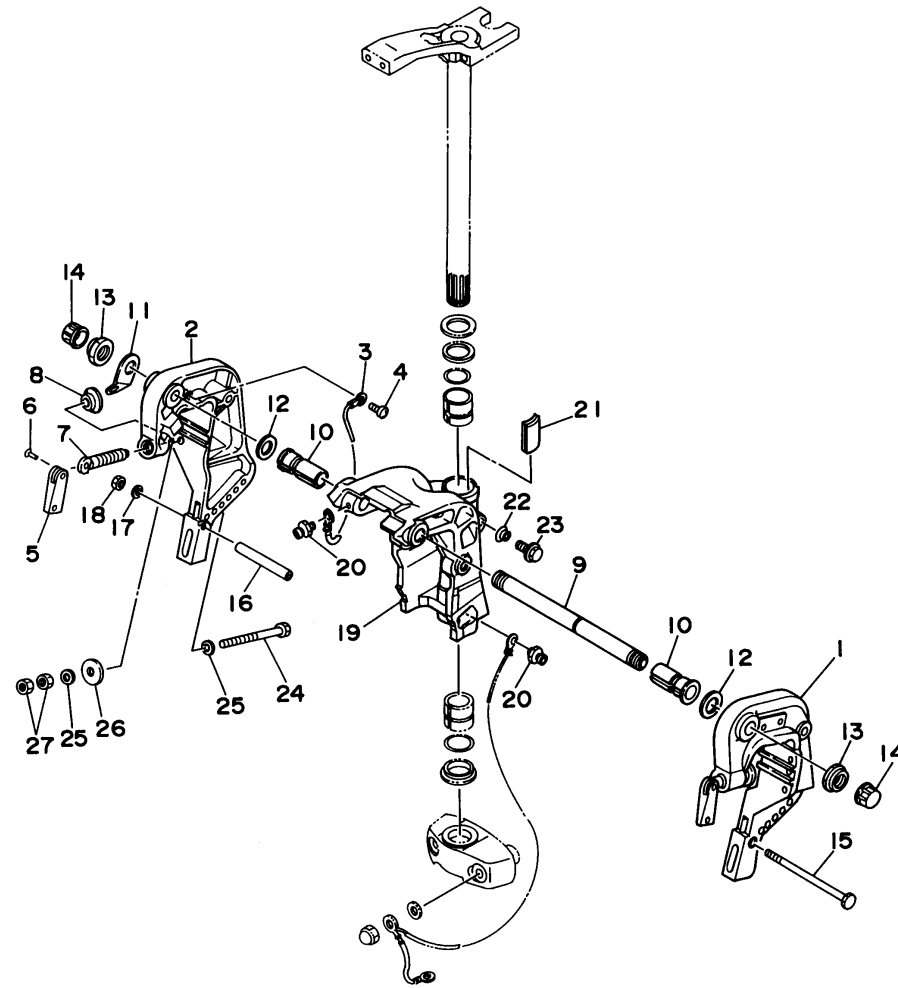
## Part Notes

40TLRX 1999 / BRACKET 1 POWER TRIM TILT

| PART NUMBER    |   | NOTE TEXT  |
|----------------|---|--|
| 92990-06600-00 |  | OEM: This part number is among the Top 100 Most Popular Marine Maintenance Parts as of March 2014. |

©2014 Yamaha Motor Corporation, U.S.A. All rights reserved.

40TLRX 1999 / BRACKET 2 MANUAL TILT



63CJA-5120

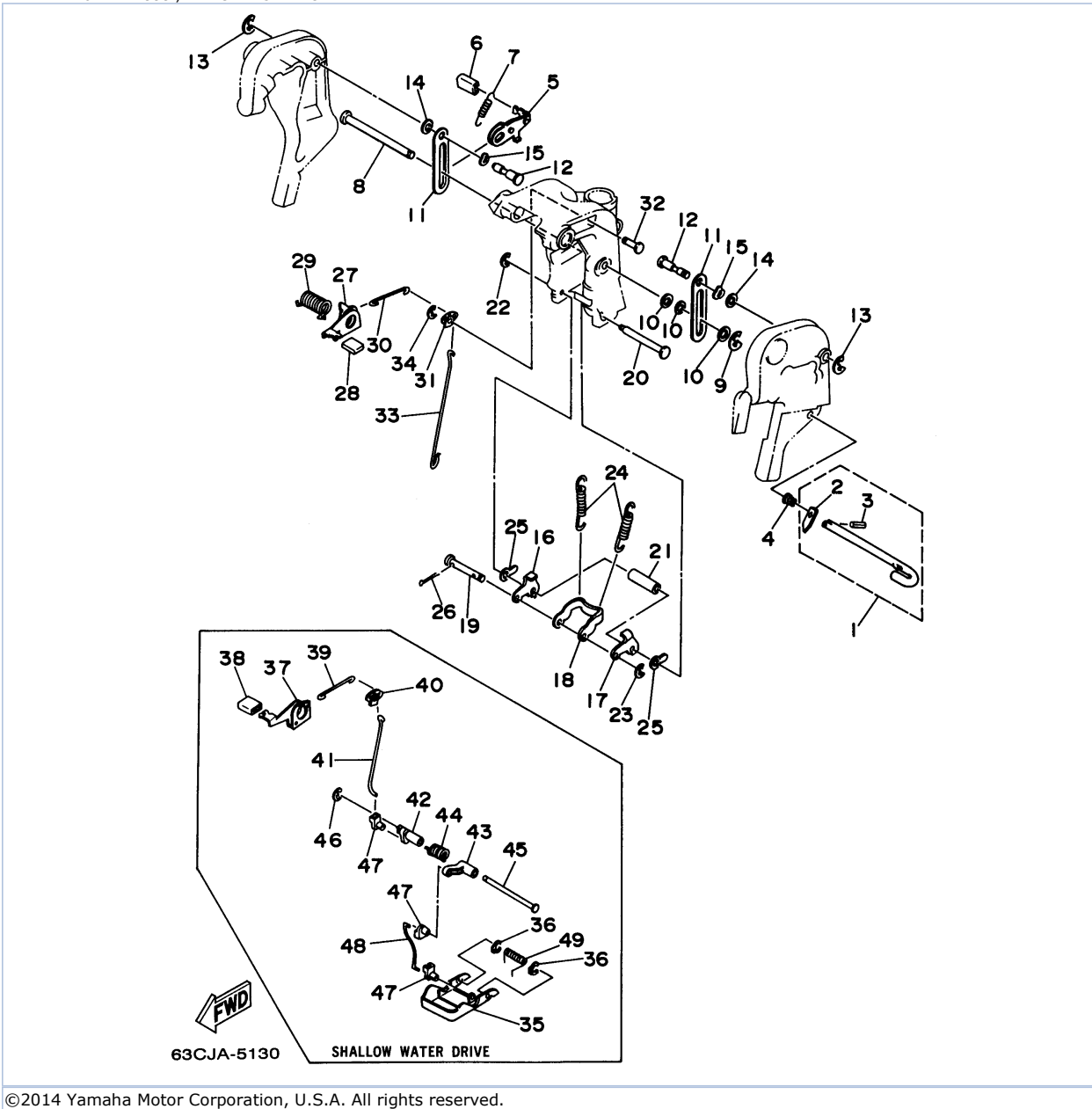
©2014 Yamaha Motor Corporation, U.S.A. All rights reserved.

## Part List

40TLRX 1999 / BRACKET 2 MANUAL TILT

| REF<br>-<br>NO | PART<br>NUMBER  | PART NAME             | QUANTITY | REMARKS  |
|----------------|-----------------|-----------------------|----------|----------|
| 1              | 6H4-43111-05-4D | BRACKET, CLAMP        | 1        |          |
| 2              | 6H4-43112-04-4D | BRACKET, CLAMP        | 1        |          |
| 3              | 6E5-82148-00-00 | WIRE, LEAD 4          | 1        |          |
| 4              | 97885-06008-00  | SCREW, PAN HEAD       | 1        |          |
| 5              | 6E0-43118-01-00 | HANDLE, TRANSOM CLAMP | 2        |          |
| 6              | 90243-04M01-00  | PIN                   | 2        |          |
| 7              | 90149-14M12-00  | SCREW                 | 2        |          |
| 8              | 648-43114-01-00 | PAD, TRANSOM CLAMP    | 2        |          |
| 9              | 63D-43131-00-00 | BOLT, CLAMP BRACKET   | 1        |          |
| 10             | 90386-22M69-00  | BUSH                  | 2        |          |
| 11             | 6J8-43113-01-00 | PLATE, CLAMP BRACKET  | 1        |          |
| 12             | 90201-22M03-00  | WASHER, PLATE         | 2        |          |
| 13             | 90185-22M11-00  | NUT, SELF-LOCKING     | 2        |          |
| 14             | 6G5-43145-00-00 | CAP, CLAMP BRACKET    | 2        |          |
| 15             | 90101-08339-00  | BOLT                  | 1        |          |
| 16             | 90387-08M03-00  | COLLAR                | 1        |          |
| 17             | 92990-08600-00  | ..WASHER, PLATE       | 1        |          |
| 18             | 95380-08600-00  | NUT                   | 1        |          |
| 19             | 6J8-43311-04-4D | BRACKET, SWIVEL 1     | 1        | UR SHORT |
| 19             | 6J8-43311-10-4D | BRACKET, SWIVEL 1     | 1        | UR LONG  |
| 20             | 93700-06M03-00  | NIPPLE, GREASE        | 3        |          |
| 21             | 6J8-42528-00-00 | PLATE, FRICTION       | 1        |          |
| 22             | 689-43373-01-00 | SEAL, DAMPER          | 1        |          |
| 23             | 90105-06M18-00  | BOLT, FLANGE          | 1        |          |
| 24             | 90101-10M58-00  | BOLT                  | 4        | AP       |
| 25             | 92995-10600-00  | WASHER                | 8        | AP       |
| 26             | 90201-12426-00  | WASHER, PLATE         | 4        | AP       |
| 27             | 95380-10600-00  | NUT                   | 8        | AP       |

40TLRX 1999 / BRACKET 3 MANUAL TILT



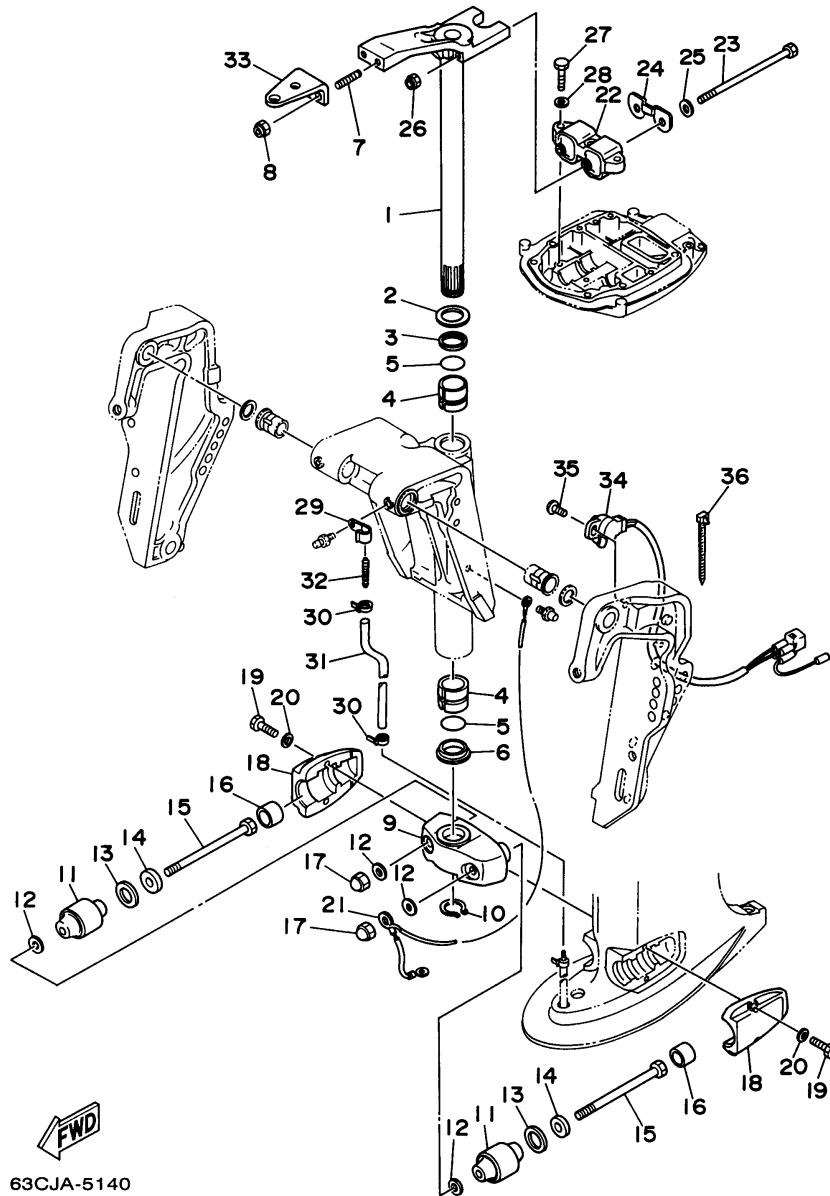
## Part List

40TLRX 1999 / BRACKET 3 MANUAL TILT

| REF - NO | PART NUMBER     | PART NAME                    | QUANTITY | REMARKS                           |
|----------|-----------------|------------------------------|----------|-----------------------------------|
| 1        | 6H4-43160-01-00 | TILT ROD ASSY                | 1        |                                   |
| 2        | 676-43165-00-00 | .PLATE, TILT LOCK            | 1        |                                   |
| 3        | 91690-30010-00  | .PIN, SPRING                 | 1        |                                   |
| 4        | 90502-10M04-00  | SPRING, CONICAL              | 1        |                                   |
| 5        | 6J8-43181-01-00 | LEVER, TILT STOP             | 1        |                                   |
| 6        | 682-43318-01-00 | COVER                        | 1        |                                   |
| 7        | 90506-12M25-00  | SPRING, TENSION              | 1        |                                   |
| 8        | 90249-12M28-00  | PIN                          | 1        |                                   |
| 9        | 93430-10M00-00  | CIRCLIP                      | 1        |                                   |
| 10       | 90202-12031-00  | WASHER, PLATE                | 3        | UR LONG                           |
| 10       | 90202-12031-00  | WASHER, PLATE                | 2        | UR SHORT                          |
| 11       | 6J8-43627-00-00 | STOPPER                      | 2        |                                   |
| 12       | 90249-12M27-00  | PIN                          | 2        |                                   |
| 13       | 93430-10M00-00  | CIRCLIP                      | 2        |                                   |
| 14       | 90202-12031-00  | WASHER, PLATE                | 2        |                                   |
| 15       | 90206-12M16-00  | WASHER, WAVE                 | 2        |                                   |
| 16       | 6J8-43614-00-00 | PLATE, TILT LOCK             | 1        |                                   |
| 17       | 6J8-43615-00-00 | PLATE, TILT LOCK             | 1        |                                   |
| 18       | 6J8-43613-01-00 | ARM, TILT LOCK               | 1        |                                   |
| 19       | 6H4-43659-00-00 | SHAFT, REVERSE LOCK          | 1        |                                   |
| 20       | 6J8-43611-01-00 | SHAFT, TILT LOCK             | 1        |                                   |
| 21       | 90387-07M64-00  | COLLAR                       | 1        |                                   |
| 22       | 93430-06M02-00  | .CIRCLIP                     | 1        |                                   |
| 23       | 93430-05027-00  | CIRCLIP                      | 1        |                                   |
| 24       | 90506-32M22-00  | SPRING, TENSION              | 2        |                                   |
| 25       | 6H4-43674-00-00 | WASHER                       | 2        | WITHOUT SHALLOW WATER DRIVE       |
| 26       | 91490-20010-00  | PIN. COTTER                  | 2        |                                   |
| 27       | 6J8-43631-00-00 | LEVER, TILT                  | 1        |                                   |
| 28       | 6J8-43633-00-00 | COVER, TILT LEVER            | 1        |                                   |
| 29       | 90508-18M24-00  | SPRING, TORSION              | 1        | UR                                |
| 29       | 90508-18M23-00  | SPRING, TORSION              | 1        | UR FOR SHALLOW WATER              |
| 30       | 6H4-43616-00-00 | ROD, TILT LOCK               | 1        |                                   |
| 31       | 6J8-43641-00-00 | LEVER, TILT                  | 1        |                                   |
| 32       | 90249-06M23-00  | PIN                          | 1        | UR                                |
| 32       | 90249-06M24-00  | PIN                          | 1        | UR FOR SHALLOW WATER DRIVE        |
| 33       | 6J8-43617-00-00 | ROD, TILT LOCK               | 1        |                                   |
| 34       | 93430-05027-00  | CIRCLIP                      | 1        |                                   |
| 35       | 6J8-43681-01-00 | LEVER, SHALLOW WATER DRIVE 1 | 1        | SHALLOW WATER DRIVE 11WATER DRIVE |
| 36       | 6J8-43673-00-00 | WASHER 1                     | 2        | SHALLOW WATER DRIVE               |
| 37       | 6J8-43631-10-00 | LEVER, TILT                  | 1        | SHALLOW WATER DRIVE               |
| 38       | 6J8-43633-00-00 | COVER, TILT LEVER            | 1        | SHALLOW WATER DRIVE               |
| 39       | 6H4-43616-00-00 | ROD, TILT LOCK               | 1        | SHALLOW WATER DRIVE               |
| 40       | 6J8-43641-00-00 | LEVER, TILT                  | 1        | SHALLOW WATER DRIVE               |
| 41       | 6J8-43617-10-00 | ROD, TILT LOCK               | 1        | SHALLOW WATER DRIVE               |
| 42       | 6J8-43186-00-00 | LEVER                        | 1        | SHALLOW WATER DRIVE               |
| 43       | 6J8-43187-00-00 | LEVER 2                      | 1        | SHALLOW WATER DRIVE               |
| 44       | 90508-25M21-00  | SPRING, TORSION              | 1        | SHALLOW WATER DRIVE               |
| 45       | 90249-07M25-00  | PIN                          | 1        | SHALLOW WATER DRIVE               |
| 46       | 93430-05027-00  | CIRCLIP                      | 1        | SHALLOW WATER DRIVE               |
| 47       | 6J8-41262-00-00 | JOINT, CHOKE LEVER           | 3        | SHALLOW WATER DRIVE               |
| 48       | 6J8-43616-10-00 | ROD, TILT LOCK               | 1        | SHALLOW WATER DRIVE               |
| 49       | 90508-20M22-00  | SPRING, TORSION              | 1        | SHALLOW WATER DRIVE               |



40TLRX 1999 / BRACKET 4



63CJA-5140

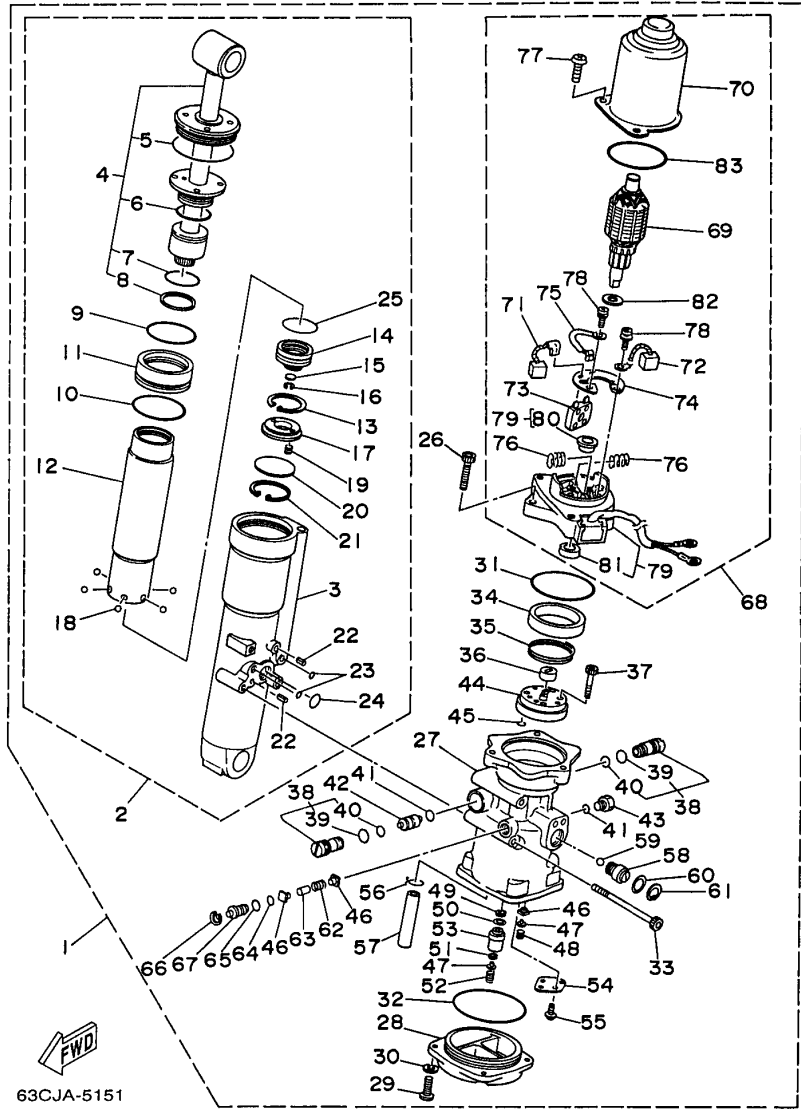
©2014 Yamaha Motor Corporation, U.S.A. All rights reserved.

## Part List

40TLRX 1999 / BRACKET 4

| REF - NO | PART NUMBER     | PART NAME                     | QUANTITY | REMARKS  |
|----------|-----------------|-------------------------------|----------|----------|
| 1        | 63D-42510-10-4D | STEERING BRACKET ASSEMBLY     | 1        | UR LONG  |
| 1        | 63D-42510-00-4D | STEERING BRACKET ASSEMBLY     | 1        | UR SHORT |
| 2        | 90201-30M00-00  | WASHER, PLATE                 | 1        |          |
| 3        | 90386-30M78-00  | BUSH                          | 1        |          |
| 4        | 90386-30M77-00  | BUSH                          | 2        |          |
| 5        | 93210-29M94-00  | O-RING                        | 2        |          |
| 6        | 90386-30M60-00  | BUSH                          | 1        |          |
| 7        | 90116-10175-00  | BOLT, STUD                    | 2        |          |
| 8        | 90185-10051-00  | NUT, SELF-LOCKING             | 2        |          |
| 9        | 63D-44551-01-4D | HOUSING, LOWER MOUNT RUBBER   | 1        |          |
| 10       | 93410-28M06-00  | CIRCLIP                       | 1        |          |
| 11       | 63D-44555-00-94 | MOUNT DAMPER, LOWER SIDE      | 2        | UR LONG  |
| 11       | 687-44555-00-94 | MOUNT DAMPER, LOWER SIDE      | 2        | UR SHORT |
| 12       | 90201-12M16-00  | WASHER, PLATE                 | 4        |          |
| 13       | 90202-25M04-00  | WASHER, PLATE                 | 2        |          |
| 14       | 90201-13M19-00  | WASHER, PLATE                 | 2        |          |
| 15       | 90109-12M21-00  | BOLT                          | 2        |          |
| 16       | 663-44575-00-00 | DAMPER, LOWER MOUNT RUBBER    | 2        |          |
| 17       | 95380-12800-00  | NUT, CROWN                    | 2        |          |
| 18       | 63D-44552-01-4D | HOUSING, LOWER MOUNT RUBBER 2 | 2        |          |
| 19       | 97095-08030-00  | BOLT                          | 4        |          |
| 20       | 92995-08100-00  | WASHER                        | 4        |          |
| 21       | 63D-82127-10-00 | WIRE, LEAD 2                  | 1        | UR LONG  |
| 21       | 63D-82127-00-00 | WIRE, LEAD 2                  | 1        | UR SHORT |
| 22       | 63D-44514-00-94 | MOUNT DAMPER, UPPER SIDE      | 1        |          |
| 23       | 90101-08M15-00  | BOLT                          | 2        |          |
| 24       | 63D-44526-00-00 | PLATE                         | 1        |          |
| 25       | 90201-09425-00  | WASHER, PLATE                 | 2        |          |
| 26       | 90185-08045-00  | NUT, SELF-LOCKING             | 2        |          |
| 27       | 97095-08030-00  | BOLT                          | 3        |          |
| 28       | 92995-08100-00  | WASHER                        | 3        |          |
| 29       | 90465-08M07-00  | CLAMP                         | 1        | UR PTT   |
| 30       | 90465-11M10-00  | CLAMP                         | 2        | UR PTT   |
| 31       | 90445-07MF1-00  | HOSE (L570)                   | 1        | UR PTT   |
| 32       | 6E5-83558-00-00 | END, NIPPLE                   | 1        | UR PTT   |
| 33       | 63D-48511-00-94 | HOOK, STEERING                | 1        |          |
| 34       | 63D-83672-00-00 | TRIM SENDER                   | 1        | UR PTT   |
| 35       | 97885-06016-00  | SCREW, PAN HEAD               | 2        | UR PTT   |
| 36       | 90465-13M11-00  | CLAMP                         | 1        | UR PTT   |

40TLRX 1999 / POWER TRIM TILT ASSEMBLY 1



©2014 Yamaha Motor Corporation, U.S.A. All rights reserved.

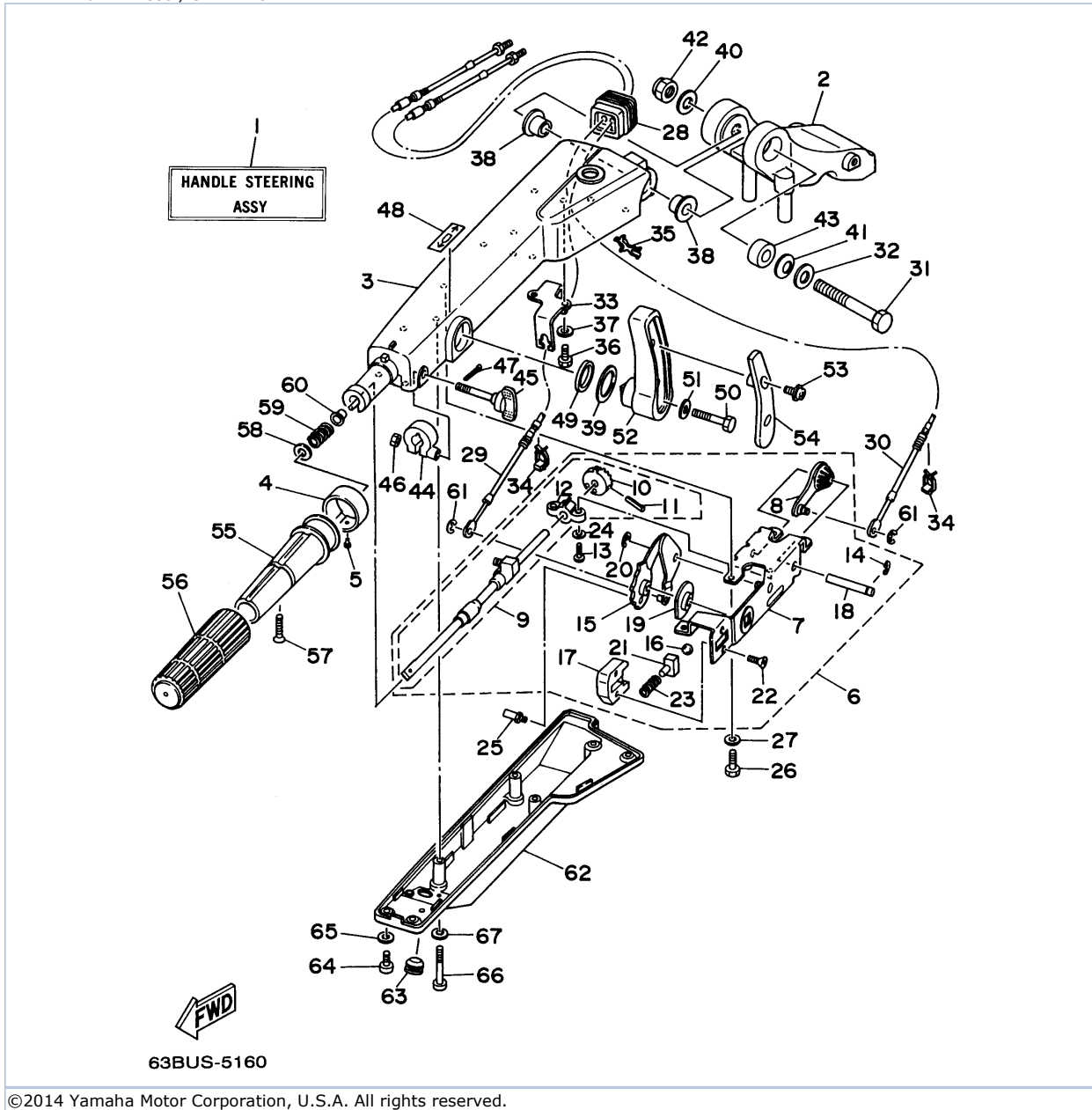
## Part List

40TLRX 1999 / POWER TRIM TILT ASSEMBLY 1

| REF<br>-<br>NO | PART<br>NUMBER  | PART NAME                          | QUANTITY | REMARKS |
|----------------|-----------------|------------------------------------|----------|---------|
| 1              | 62X-43800-02-4D | POWER TRIM & TILT<br>ASSEMBLY      | 1        |         |
| 2              | 62X-43840-01-00 | ..POWER TILT ASSY                  | 1        |         |
| 3              | 62X-4380K-00-00 | ..SPRING, BRUSH                    | 1        |         |
| 4              | 62X-43810-01-00 | ..TILT PISTON SUB ASSY             | 1        |         |
| 5              | 62X-43861-00-00 | ..O-RING                           | 1        |         |
| 6              | 62X-43862-00-00 | ..O-RING                           | 1        |         |
| 7              | 93210-29375-00  | ..O-RING                           | 1        |         |
| 8              | 62X-43871-00-00 | ..RING, BACK UP                    | 1        |         |
| 9              | 93210-44383-00  | ..O-RING                           | 1        |         |
| 10             | 93210-48214-00  | ..O-RING                           | 1        |         |
| 11             | 62X-4388A-00-00 | ..PISTON, TRIM                     | 1        |         |
| 12             | 62X-22471-00-00 | ..CYLINDER, SHOCK<br>ABSORBER      | 1        |         |
| 13             | 99009-35500-00  | ..CIRCLIP                          | 1        |         |
| 14             | 62X-43814-00-00 | ..PISTON, FREE                     | 1        |         |
| 15             | 6H1-4384G-11-00 | ..SEAL, RELIEF VALVE               | 1        |         |
| 16             | 61A-43875-00-00 | ..RING, SNAP                       | 1        |         |
| 17             | 62X-43899-00-00 | ..PLATE STOPPER                    | 1        |         |
| 18             | 93503-16010-00  | ..BALL 3-16                        | 6        |         |
| 19             | 62X-4384H-00-00 | ..SPRING                           | 2        |         |
| 20             | 1UF-22434-00-00 | ..PLATE, VALVE 1                   | 1        |         |
| 21             | 62X-43875-00-00 | ..RING, SNAP                       | 1        |         |
| 22             | 91690-40010-00  | ..PIN, SPRING                      | 2        |         |
| 23             | 93210-06A45-00  | ..O-RING                           | 2        |         |
| 24             | 62X-43864-00-00 | ..O-RING                           | 1        |         |
| 25             | 93210-29375-00  | ..O-RING                           | 1        |         |
| 26             | 62X-43888-00-00 | ..BOLT, SOCKET                     | 3        |         |
| 27             | 62X-4380L-00-00 | ..HOUSING, TRIM & TILT SUB<br>ASSY | 1        |         |
| 28             | 62X-4385M-00-00 | ..PLATE, RESERVOIR                 | 1        |         |
| 29             | 97095-06016-00  | ..BOLT                             | 4        |         |
| 30             | 92995-06100-00  | ..WASHER, SPRING                   | 4        |         |
| 31             | 62X-43865-00-00 | ..O-RING                           | 1        |         |
| 32             | 62X-43866-00-00 | ..O-RING                           | 1        |         |
| 33             | 62X-43878-00-00 | ..BOLT, SOCKET                     | 3        |         |
| 34             | 6H1-43817-01-00 | ..FILTER 2                         | 1        |         |
| 35             | 6H1-4385H-00-00 | ..SPRING, SEAL                     | 1        |         |
| 36             | 6H1-43831-10-00 | ..CONNECTOR, SHAFT                 | 1        |         |
| 37             | 91318-04025-00  | ..BOLT                             | 4        |         |
| 38             | 6T4-43802-03-00 | ..VALVE SUB ASSY                   | 2        |         |
| 39             | 6H1-43866-00-00 | ..O-RING                           | 1        |         |
| 40             | 6H1-43867-00-00 | ..O-RING                           | 1        |         |
| 41             | 93210-09165-00  | ..O-RING                           | 2        |         |
| 42             | 62X-43841-01-00 | ..PISTON, SHUTTLE                  | 1        |         |
| 43             | 6H1-43829-00-00 | ..PLUG, RESERVOIR                  | 1        |         |
| 44             | 62X-43830-00-00 | ..GEAR PUMP ASSY                   | 1        |         |
| 45             | 93210-06519-00  | ..O-RING                           | 2        |         |
| 46             | 6H1-4384F-10-00 | ..SEAL, MAIN VALVE                 | 3        |         |
| 47             | 6H1-43844-10-00 | ..PIN, VALVE SUPPORT               | 2        |         |
| 48             | 6H1-43856-10-00 | ..SPRING, DOWN RELIEF              | 1        |         |
| 49             | 6H1-43816-00-00 | ..FILTER 1                         | 1        |         |
| 50             | 6H1-43896-00-00 | ..O-RING                           | 1        |         |
| 51             | 6H1-4384G-11-00 | ..SEAL, RELIEF VALVE               | 1        |         |
| 52             | 6H1-43855-11-00 | ..SPRING, UP RELIEF                | 1        |         |

|    |                 |                        |   |  |
|----|-----------------|------------------------|---|--|
| 53 | 6H1-43895-11-00 | .SEAT, RELIEF VALVE    | 1 |  |
| 54 | 62X-4382L-00-00 | .CAP, RELIEF VALVE     | 1 |  |
| 55 | 97607-05210-00  | .SCREW, WITH WASHER    | 2 |  |
| 56 | 90647-11032-00  | .CLIP                  | 1 |  |
| 57 | 62X-4383A-00-00 | .HOSE                  | 1 |  |
| 58 | 62X-43860-00-00 | .MANUAL VALVE SUB-ASSY | 1 |  |
| 59 | 93505-32038-00  | .BALL                  | 1 |  |
| 60 | 93210-18397-00  | .O-RING                | 1 |  |
| 61 | 6H1-43875-00-00 | .RING, SNAP            | 1 |  |
| 62 | 61A-4385H-00-00 | .SPRING, SEAL          | 1 |  |
| 63 | 93605-10108-00  | .PIN, DOWEL            | 1 |  |
| 64 | 93210-06001-00  | .O-RING                | 1 |  |
| 65 | 93210-07003-00  | .O-RING                | 1 |  |
| 66 | 6T4-43876-00-00 | .RING, SNAP            | 1 |  |
| 67 | 6T4-43849-00-00 | .PIN, VALVE SUPPORT    | 1 |  |
| 68 | 62X-43880-00-00 | .MOTOR ASSEMBLY        | 1 |  |
| 69 | 62X-43805-00-00 | ..ARMATURE ASSY        | 1 |  |
| 70 | 62X-43804-00-00 | ..STATOR ASSEMBLY      | 1 |  |
| 71 | 62X-43891-00-00 | ..BRUSH 1              | 1 |  |
| 72 | 62X-43892-00-00 | ..BRUSH 2              | 1 |  |
| 73 | 62X-82181-00-00 | ..CIRCUIT BREAKER COMP | 1 |  |
| 74 | 62X-4380F-00-00 | ..PLATE, BRUSH HOLDER  | 1 |  |
| 75 | 62X-43807-00-00 | ..WIRE SUB ASSY        | 1 |  |
| 76 | 62X-4386K-00-00 | ..SPRING, BRUSH        | 2 |  |
| 77 | 97880-05020-00  | ..SCREW, PAN HEAD      | 3 |  |
| 78 | 97607-04212-00  | ..SCREW, WITH WASHER   | 2 |  |
| 79 | 62X-43881-00-00 | ..FRAME, END           | 1 |  |
| 80 | 62X-4380H-00-00 | ..METAL                | 1 |  |
| 81 | 93102-08414-00  | ..OIL SEAL             | 1 |  |
| 82 | 90201-083J8-00  | ..WASHER, PLATE        | 1 |  |
| 83 | 93210-52449-00  | ..O-RING               | 1 |  |

40TLRX 1999 / STEERING



## Part List

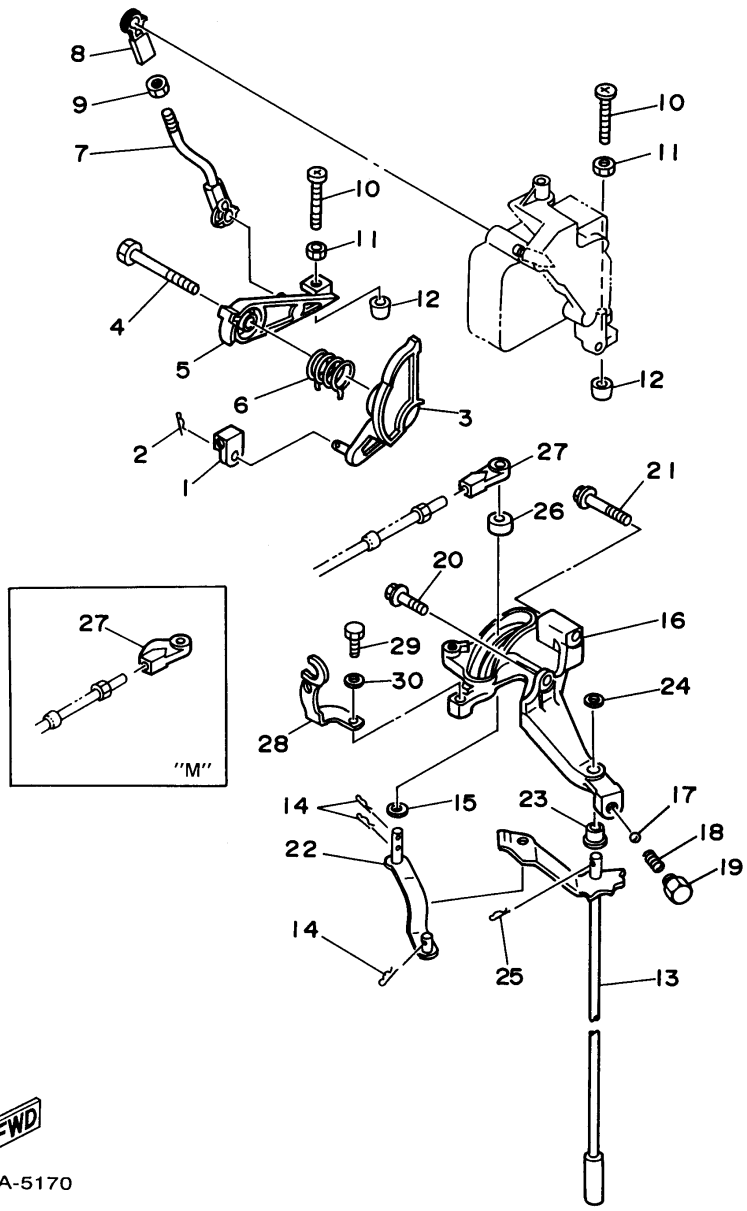
40TLRX 1999 / STEERING

| REF - NO | PART NUMBER     | PART NAME                      | QUANTITY | REMARKS |
|----------|-----------------|--------------------------------|----------|---------|
| 1        | 63D-W0084-00-4D | HANDLE STEERING ASSY           | 1        |         |
| 2        | 63D-42121-00-4D | BRACKET                        | 1        |         |
| 3        | 63D-42111-01-4D | HANDLE, STEERING               | 1        |         |
| 4        | 6H2-42137-00-00 | INDICATOR, THROTTLE            | 1        | UR E    |
| 4        | 6K5-42137-00-00 | INDICATOR, THROTTLE            | 1        | UR M    |
| 5        | 90269-02M09-00  | RIVET                          | 1        |         |
| 6        | 63D-44100-11-00 | SHIFT LINK ASSY                | 1        |         |
| 7        | 63D-44104-00-00 | .PLATE COMP                    | 1        |         |
| 8        | 63D-48261-00-00 | .ARM, THROTTLE                 | 1        |         |
| 9        | 63D-42115-00-00 | .SHAFT, STEERING HANDLE        | 1        |         |
| 10       | 650-42152-00-94 | ..GEAR                         | 1        |         |
| 11       | 91690-30025-00  | ..PIN, SPRING                  | 1        |         |
| 12       | 63D-42159-00-00 | ..STAY                         | 1        |         |
| 13       | 98580-06016-00  | .SCREW, PAN HEAD               | 2        |         |
| 14       | 93430-08006-00  | .CIRCLIP                       | 1        |         |
| 15       | 63D-44113-00-00 | .CAM PLATE, HANDLE             | 1        |         |
| 16       | 63D-48236-00-00 | .ROLLER, DETENT                | 1        |         |
| 17       | 63D-48119-00-00 | .COVER                         | 1        |         |
| 18       | 63D-42153-00-00 | .SHAFT, THROTTLE CONTROL       | 1        |         |
| 19       | 63D-44132-00-00 | .BUSHING                       | 1        |         |
| 20       | 63D-48118-00-00 | .CLIP, SHIFT LEVER             | 1        |         |
| 21       | 63D-48237-00-00 | .ADAPTER                       | 1        |         |
| 22       | 98785-05014-00  | .SCREW, FLAT HEAD              | 2        |         |
| 23       | 63D-48238-00-00 | .SPRING, DETENT                | 1        |         |
| 24       | 63D-42181-00-00 | .WASHER                        | 2        |         |
| 25       | 63D-44114-01-00 | STOPPER                        | 1        |         |
| 26       | 97095-06016-00  | BOLT                           | 4        |         |
| 27       | 92995-06600-00  | WASHER                         | 4        |         |
| 28       | 63D-42725-00-00 | GROMMET                        | 1        |         |
| 29       | 63D-48321-01-00 | CABLE                          | 1        |         |
| 30       | 63D-26301-01-00 | THROTTLE CABLE ASSY            | 1        |         |
| 31       | 90101-12M09-00  | BOLT                           | 1        |         |
| 32       | 92990-12200-00  | WASHER, PLAIN                  | 1        |         |
| 33       | 63D-48531-00-00 | BRACKET, REMOTE CONTROL        | 1        |         |
| 34       | 63D-48538-00-00 | CLAMP, CABLE 1                 | 2        |         |
| 35       | 90464-09M42-00  | CLAMP                          | 1        |         |
| 36       | 97095-06016-00  | BOLT                           | 2        |         |
| 37       | 92995-06600-00  | WASHER                         | 2        |         |
| 38       | 90386-12M93-00  | BUSH                           | 2        |         |
| 39       | 90386-29M95-00  | BUSH                           | 1        |         |
| 40       | 92990-12600-00  | WASHER, PLATE                  | 1        |         |
| 41       | 90206-12M22-00  | WASHER, WAVE                   | 1        |         |
| 42       | 90185-12058-00  | NUT, SELF-LOCKING              | 1        |         |
| 43       | 90387-12M02-00  | COLLAR                         | 1        |         |
| 44       | 63D-42126-00-00 | FRICTION, STEERING HANDLE GRIP | 1        |         |
| 45       | 63D-48154-00-00 | KNOB, THROTTLE                 | 1        |         |
| 46       | 95380-06600-00  | NUT, HEXAGON                   | 1        |         |
| 47       | 91490-20010-00  | PIN. COTTER                    | 1        |         |
| 48       | 6G8-44191-00-00 | INDICATOR, SHIFT               | 1        |         |
| 49       | 90202-24M53-00  | WASHER, PLATE                  | 1        |         |
| 50       | 97095-08040-00  | BOLT                           | 1        |         |
| 51       | 92995-08600-00  | WASHER                         | 1        |         |
| 52       | 63D-44159-01-00 | HANDLE, GEAR SHIFT             | 1        |         |

|    |                 |                        |   |  |
|----|-----------------|------------------------|---|--|
| 53 | 90159-06M18-00  | SCREW, WITH WASHER     | 2 |  |
| 54 | 63D-44173-00-00 | LEVER, SHIFT CONTROL   | 1 |  |
| 55 | 664-42119-00-00 | GRIP, STEERING HANDLE  | 1 |  |
| 56 | 6G1-42177-00-00 | RUBBER, HANDLE         | 1 |  |
| 57 | 90149-05M13-00  | SCREW                  | 1 |  |
| 58 | 92903-10600-00  | WASHER, PLATE          | 1 |  |
| 59 | 90501-23215-00  | SPRING, COMPRESSION    | 1 |  |
| 60 | 90386-08032-00  | BUSH                   | 1 |  |
| 61 | 93430-04M03-00  | CIRCLIP                | 2 |  |
| 62 | 63D-42131-00-00 | COVER, HANDLE STEERING | 1 |  |
| 63 | 90480-14M14-00  | GROMMET                | 1 |  |
| 64 | 97885-06016-00  | SCREW, PAN HEAD        | 4 |  |
| 65 | 92995-06600-00  | WASHER                 | 4 |  |
| 66 | 97885-06040-00  | SCREW, PAN HEAD        | 3 |  |
| 67 | 92995-06600-00  | WASHER                 | 3 |  |



40TLRX 1999 / CONTROL



63CJA-5170

©2014 Yamaha Motor Corporation, U.S.A. All rights reserved.



## Part List

40TLRX 1999 / CONTROL

| REF - NO | PART NUMBER     | PART NAME                  | QUANTITY | REMARKS  |
|----------|-----------------|----------------------------|----------|----------|
| 1        | 6H4-48344-00-00 | CABLE END, REMOTE CONTROL  | 1        |          |
| 2        | 90468-18008-00  | CLIP                       | 1        |          |
| 3        | 63D-41213-00-00 | CAM, ACCEL.                | 1        |          |
| 4        | 90109-06M43-00  | BOLT                       | 1        |          |
| 5        | 63D-41632-00-00 | LEVER, MAGNETO CONTROL     | 1        |          |
| 6        | 90508-26M35-00  | SPRING, TORSION            | 1        |          |
| 7        | 63D-41636-00-00 | ROD, MAGNETO CONTROL       | 1        |          |
| 8        | 6H4-41237-00-00 | JOINT, LINK                | 1        |          |
| 9        | 95380-05600-00  | NUT                        | 1        |          |
| 10       | 90157-06M13-00  | SCREW, PAN HEAD            | 2        |          |
| 11       | 95303-06600-00  | .NUT                       | 2        |          |
| 12       | 688-44194-00-00 | CAP                        | 2        |          |
| 13       | 63D-44120-10-00 | HANDLE GEAR SHIFT ASSY     | 1        | UR LONG  |
| 13       | 63D-44120-00-00 | HANDLE GEAR SHIFT ASSY     | 1        | UR SHORT |
| 14       | 90468-18008-00  | CLIP                       | 3        |          |
| 15       | 90202-07M07-00  | WASHER, PLATE              | 1        |          |
| 16       | 63D-44117-00-00 | BRACKET                    | 1        |          |
| 17       | 93501-04M02-00  | BALL                       | 1        |          |
| 18       | 90501-12082-00  | SPRING, COMPRESSION        | 1        |          |
| 19       | 648-42715-00-00 | BUSHING                    | 1        |          |
| 20       | 97595-06520-00  | BOLT, WITH WASHER          | 1        |          |
| 21       | 97513-06245-00  | BOLT, WITH WASHER          | 1        |          |
| 22       | 63D-44121-00-00 | LEVER, SHIFT ROD           | 1        |          |
| 23       | 90386-07M58-00  | BUSH                       | 1        |          |
| 24       | 92990-08200-00  | WASHER, PLAIN              | 1        |          |
| 25       | 91490-20012-00  | PIN. COTTER                | 1        |          |
| 26       | 688-44122-00-00 | BUSHING, SHIFT ROD LEVER   | 1        |          |
| 27       | 63D-48344-00-00 | CABLE END, REMOTE CONTROL  | 1        | UR M     |
| 27       | 663-48344-00-00 | .CABLE END, REMOTE CONTROL | 1        | UR E     |
| 28       | 63D-15774-00-00 | STAY 4                     | 1        |          |
| 29       | 97095-06016-00  | BOLT                       | 1        |          |
| 30       | 92995-06600-00  | WASHER                     | 1        |          |

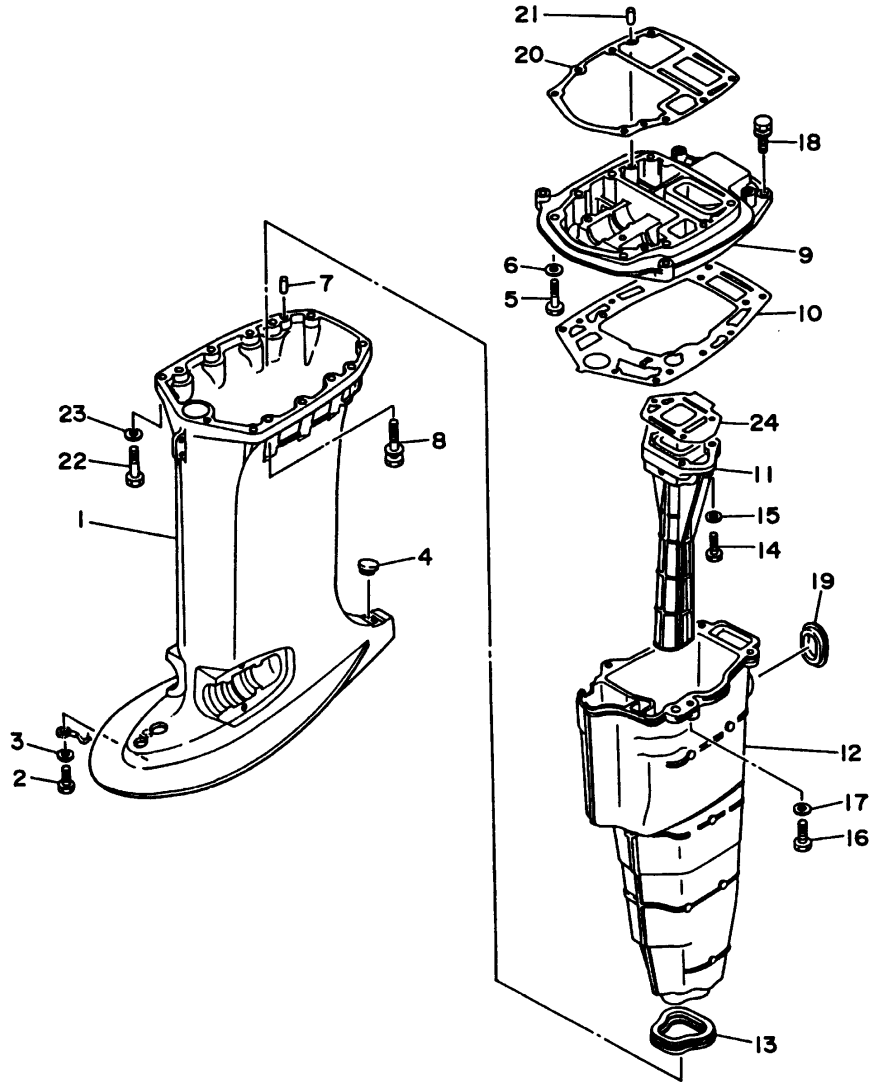
## Part Notes

40TLRX 1999 / CONTROL

| PART NUMBER    |   | NOTE TEXT  |
|----------------|---|--|
| 90468-18008-00 |  | OEM: This part number is among the Top 100 Most Popular Marine Maintenance Parts as of March 2014. |
| 90468-18008-00 |  | OEM: This part number is among the Top 100 Most Popular Marine Maintenance Parts as of March 2014. |

©2014 Yamaha Motor Corporation, U.S.A. All rights reserved.

40TLRX 1999 / UPPER CASING



  
63BUS-6180

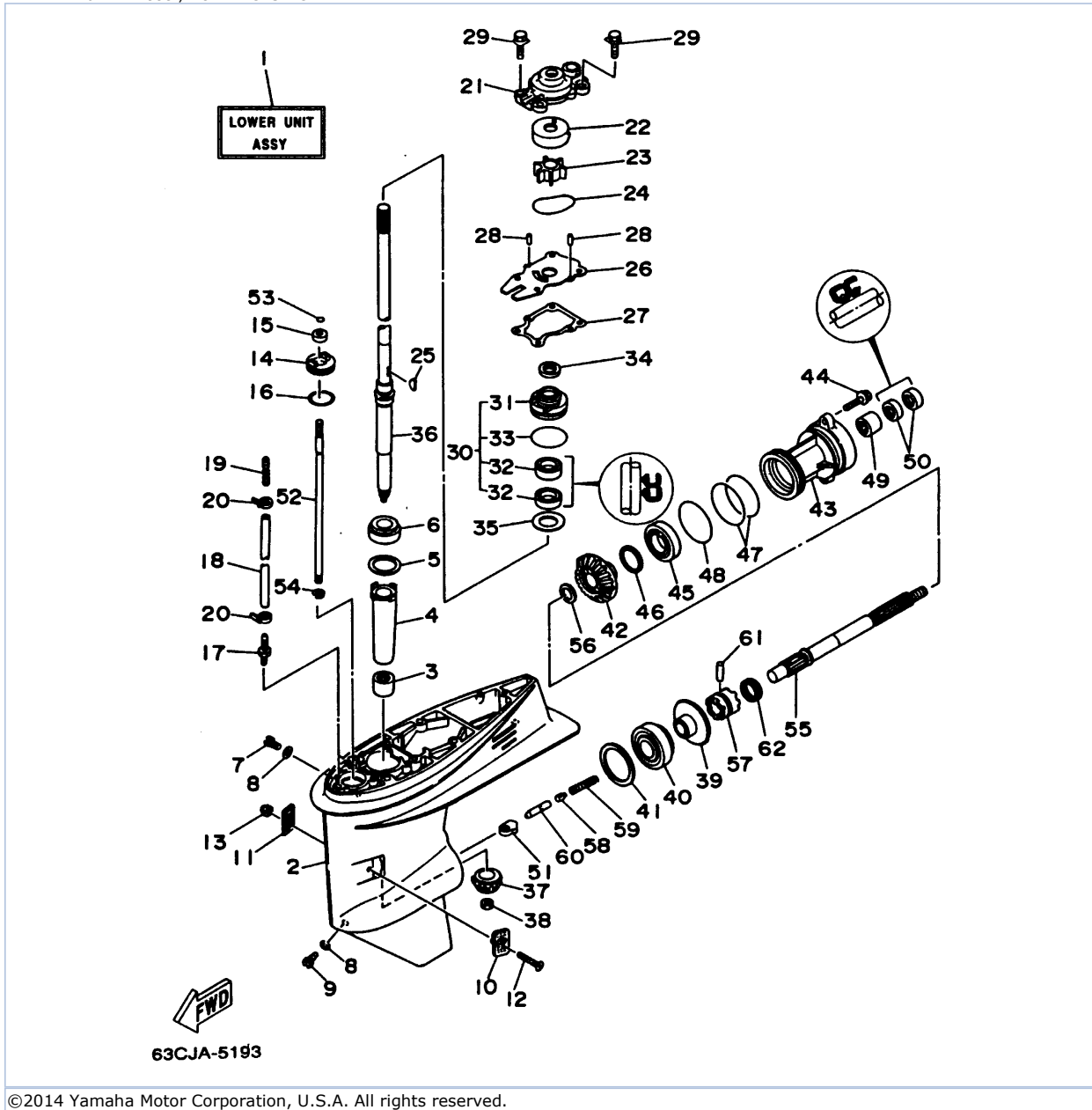
©2014 Yamaha Motor Corporation, U.S.A. All rights reserved.

## Part List

40TLRX 1999 / UPPER CASING

| REF - NO | PART NUMBER     | PART NAME                   | QUANTITY | REMARKS  |
|----------|-----------------|-----------------------------|----------|----------|
| 1        | 63D-45111-11-4D | CASING, UPPER               | 1        | UR LONG  |
| 1        | 63D-45111-01-4D | CASING, UPPER               | 1        | UR SHORT |
| 2        | 97095-06012-00  | BOLT                        | 1        |          |
| 3        | 92995-06100-00  | WASHER, SPRING              | 1        |          |
| 4        | 63D-45155-00-00 | CAP                         | 1        |          |
| 5        | 97075-08045-00  | BOLT                        | 2        |          |
| 6        | 92995-08100-00  | WASHER                      | 2        |          |
| 7        | 93606-12019-00  | .PIN, DOWEL                 | 2        |          |
| 8        | 90119-08M83-00  | BOLT, WITH WASHER           | 6        |          |
| 9        | 63D-41137-01-5B | GUIDE, EXHAUST              | 1        |          |
| 10       | 63D-45114-A0-00 | .GASKET, UPPER CASING       | 1        |          |
| 11       | 6H5-41131-00-5B | MANIFOLD, EXT. 1            | 1        | UR 50    |
| 11       | 6H4-41131-01-5B | MANIFOLD, EXT. 1            | 1        | UR 40    |
| 12       | 63D-14711-11-5B | MUFFLER 1                   | 1        | UR LONG  |
| 12       | 63D-14711-00-5B | MUFFLER 1                   | 1        | UR SHORT |
| 13       | 63D-45123-00-00 | .GASKET, MUFFLER            | 1        |          |
| 14       | 97075-08030-00  | BOLT                        | 3        |          |
| 15       | 92995-08600-00  | WASHER                      | 3        |          |
| 16       | 97075-08030-00  | BOLT                        | 4        |          |
| 17       | 92995-08600-00  | WASHER                      | 4        |          |
| 18       | 90119-08M79-00  | BOLT, WITH WASHER           | 2        |          |
| 19       | 6H3-45127-00-00 | SEAL                        | 1        |          |
| 20       | 6H4-45113-A0-00 | GASKET, UPPER CASING        | 1        |          |
| 21       | 93606-12019-00  | .PIN, DOWEL                 | 2        |          |
| 22       | 97075-08045-00  | BOLT                        | 2        |          |
| 23       | 92995-08100-00  | WASHER                      | 2        |          |
| 24       | 6H4-41134-A0-00 | GASKET, EXHAUST<br>MANIFOLD | 1        |          |

40TLRX 1999 / LOWER CASING DRIVE 1



## Part List




40TLRX 1999 / LOWER CASING DRIVE 1

| REF - NO | PART NUMBER     | PART NAME               | QUANTITY | REMARKS                |
|----------|-----------------|-------------------------|----------|------------------------|
| 1        | 63D-45300-01-4D | LOWER UNIT ASSY         | 1        | UR SHORT REF. NO. 2~62 |
| 1        | 63D-45300-11-4D | LOWER UNIT ASSY         | 1        | UR LONG REF. NO. 2~62  |
| 2        | 63D-45301-02-4D | CASING, LOWER           | 1        |                        |
| 3        | 93315-32224-00  | BEARING                 | 1        |                        |
| 4        | 6H4-45536-00-00 | SLEEVE, DRIVE SHAFT     | 1        |                        |
| 5        | 663-45587-01-12 | SHIM (T:0.12MM)         | 1        | UR                     |
| 5        | 663-45587-01-10 | SHIM (T:0.10MM)         | 1        | UR                     |
| 5        | 663-45587-01-15 | SHIM (T:0.15MM)         | 1        | UR                     |
| 5        | 663-45587-01-50 | SHIM (T:0.50MM)         | 1        | UR                     |
| 5        | 663-45587-01-40 | SHIM (T:0.40MM)         | 1        | UR                     |
| 5        | 663-45587-01-18 | SHIM (T:0.18MM)         | 1        | UR                     |
| 5        | 663-45587-01-30 | SHIM (T:0.30MM)         | 1        | UR                     |
| 6        | 93332-00001-00  | BEARING                 | 1        |                        |
| 7        | 90340-08M04-00  | PLUG, STRAIGHT SCREW    | 1        |                        |
| 8        | 90430-08020-00  | .GASKET                 | 2        |                        |
| 9        | 688-45341-00-00 | PLUG, DRAIN             | 1        |                        |
| 10       | 63D-45214-00-00 | COVER, WATER INLET 1    | 1        |                        |
| 11       | 63D-45215-00-00 | COVER, WATER INLET 2    | 1        |                        |
| 12       | 90142-05M06-00  | SCREW, COUNTERSUNK      | 1        |                        |
| 13       | 95380-05600-00  | NUT                     | 1        |                        |
| 14       | 63D-45321-00-00 | PLATE                   | 1        |                        |
| 15       | 93106-09014-00  | .OIL SEAL               | 1        |                        |
| 16       | 93210-33MG4-00  | .O-RING                 | 1        |                        |
| 17       | 6E5-45378-00-00 | NIPPLE, HOSE            | 1        |                        |
| 18       | 90445-07ME9-00  | HOSE (L120)             | 1        | UR SHORT               |
| 18       | 90445-07M31-00  | HOSE (L200)             | 1        | UR LONG                |
| 19       | 6E5-83558-00-00 | END, NIPPLE             | 1        | UR                     |
| 19       | 6E5-83558-10-00 | END, NIPPLE             | 1        | UR PTT                 |
| 20       | 90465-11M10-00  | CLAMP                   | 2        |                        |
| 21       | 63D-44311-00-00 | HOUSING, WATER PUMP     | 1        |                        |
| 22       | 63D-44322-00-00 | .INSERT, CARTRIDGE      | 1        |                        |
| 23       | 6H3-44352-00-00 | .IMPELLER               | 1        |                        |
| 24       | 93210-59MG7-00  | .O-RING                 | 1        |                        |
| 25       | 90280-03024-00  | .KEY, WOODRUFF          | 1        |                        |
| 26       | 63D-44323-00-00 | .OUTER PLATE, CARTRIDGE | 1        |                        |
| 27       | 63D-44316-00-00 | .GASKET, WATER PUMP     | 1        |                        |
| 28       | 93604-08062-00  | PIN, DOWEL              | 2        |                        |
| 29       | 90119-08M15-00  | .BOLT, WITH WASHER      | 4        |                        |
| 30       | 63D-W4434-00-00 | WATER PUMP HOUSING ASSY | 1        |                        |
| 31       | 63D-44341-00-00 | .HOUSING, WATER PUMP    | 1        |                        |
| 32       | 93101-25M57-00  | .OIL SEAL               | 2        |                        |
| 33       | 93210-48MG8-00  | .O-RING                 | 1        |                        |
| 34       | 63D-45344-00-00 | COVER, OIL SEAL         | 1        |                        |
| 35       | 90201-27M00-00  | WASHER, PLATE           | 1        |                        |
| 36       | 63D-45501-10-00 | DRIVE SHAFT COMP.       | 1        | UR LONG                |
| 36       | 63D-45501-00-00 | DRIVE SHAFT COMP.       | 1        | UR SHORT               |
| 37       | 6H4-45551-01-00 | PINION (13T)            | 1        |                        |
| 38       | 90170-12138-00  | NUT                     | 1        |                        |
| 39       | 6H4-45560-01-00 | GEAR 1 (24T)            | 1        |                        |
| 40       | 93332-00003-00  | BEARING                 | 1        |                        |
| 41       | 663-45567-01-10 | SHIM (T:0.10MM)         | 1        | UR                     |
| 41       | 663-45567-01-12 | SHIM (T:0.12MM)         | 1        | UR                     |
| 41       | 663-45567-01-15 | SHIM (T:0.15MM)         | 1        | UR                     |

|    |                 |                     |   |    |
|----|-----------------|---------------------|---|----|
| 41 | 663-45567-01-18 | SHIM (T:0.18MM)     | 1 | UR |
| 41 | 663-45567-01-30 | SHIM (T:0.30MM)     | 1 | UR |
| 41 | 663-45567-01-40 | SHIM (T:0.40MM)     | 1 | UR |
| 41 | 663-45567-01-50 | SHIM (T:0.50MM)     | 1 | UR |
| 42 | 6H4-45571-01-00 | GEAR 2 (24T)        | 1 |    |
| 43 | 63D-45361-02-4D | CAP, LOWER CASING   | 1 |    |
| 44 | 90105-08M61-00  | BOLT, FLANGE        | 2 |    |
| 45 | 93306-001U1-00  | BEARING             | 1 |    |
| 46 | 63D-45577-00-10 | SHIM (T:0.10MM)     | 1 | UR |
| 46 | 63D-45577-00-12 | SHIM (T:0.12MM)     | 1 | UR |
| 46 | 63D-45577-00-15 | SHIM (T:0.15MM)     | 1 | UR |
| 46 | 63D-45577-00-18 | SHIM (T:0.18MM)     | 1 | UR |
| 46 | 63D-45577-00-30 | SHIM (T:0.30MM)     | 1 | UR |
| 46 | 63D-45577-00-40 | SHIM (T:0.40MM)     | 1 | UR |
| 46 | 63D-45577-00-50 | SHIM (T:0.50MM)     | 1 | UR |
| 47 | 93210-74MG5-00  | .O-RING             | 2 |    |
| 48 | 93210-69MG6-00  | .O-RING             | 1 |    |
| 49 | 93317-22204-00  | BEARING             | 1 |    |
| 50 | 93101-22M00-00  | .OIL SEAL           | 2 |    |
| 51 | 663-44151-00-00 | CAM, SHIFT          | 1 |    |
| 52 | 63D-44144-00-00 | ROD, SHIFT          | 1 |    |
| 53 | 93210-07003-00  | .O-RING             | 1 |    |
| 54 | 93430-08006-00  | CIRCLIP             | 1 |    |
| 55 | 63D-45611-00-00 | SHAFT, PROPELLER    | 1 |    |
| 56 | 90201-22429-00  | WASHER, PLATE       | 1 |    |
| 57 | 63D-45631-01-00 | CLUTCH, DOG         | 1 |    |
| 58 | 663-45634-00-00 | SLIDE, SHIFT        | 1 |    |
| 59 | 90501-16M01-00  | SPRING, COMPRESSION | 1 |    |
| 60 | 63D-45635-00-00 | PLUNGER, SHIFT      | 1 |    |
| 61 | 90250-06023-00  | PIN, STRAIGHT       | 1 |    |
| 62 | 663-45633-00-00 | RING, CROSS PIN     | 1 |    |

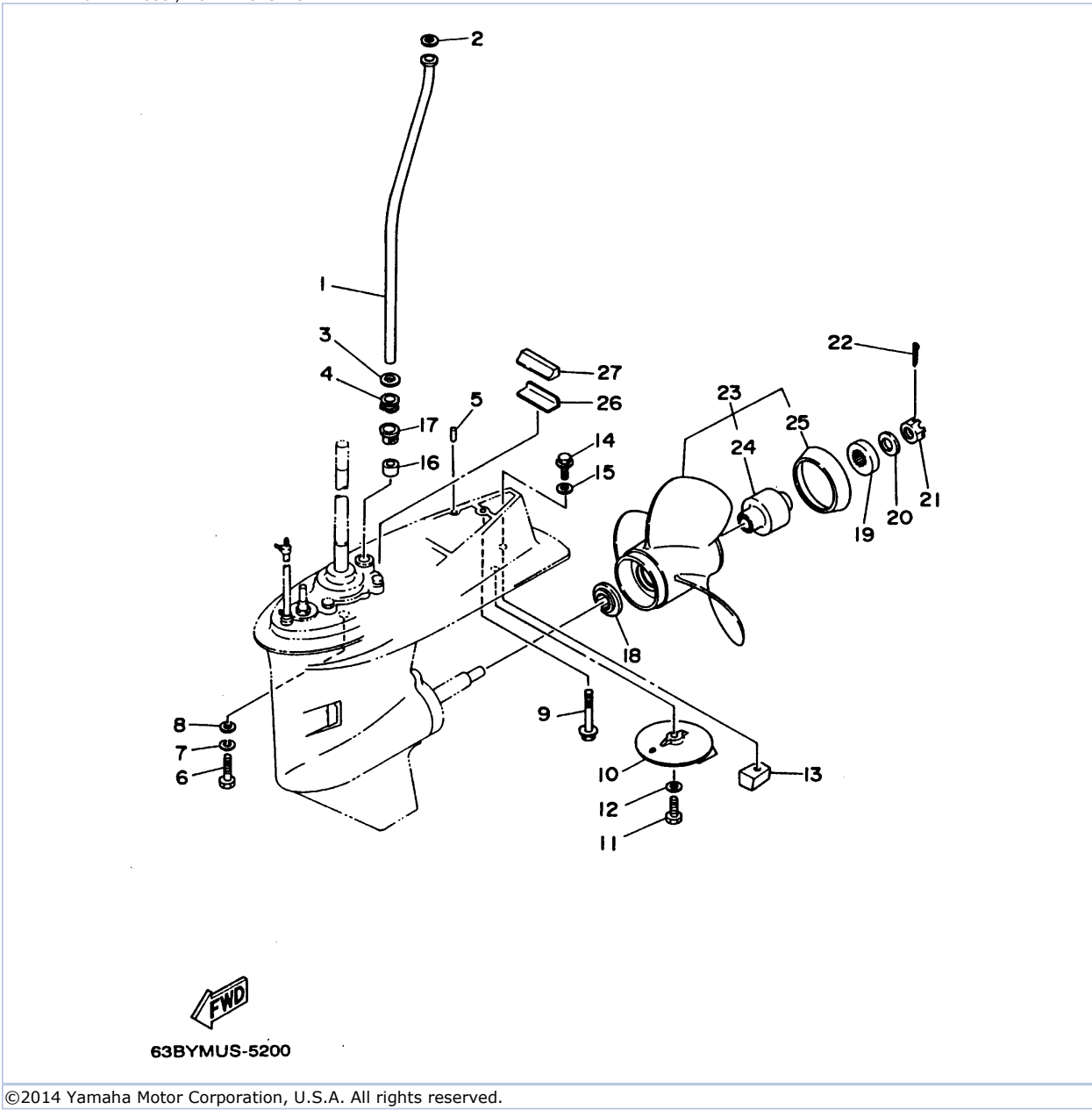
## Part Notes

40TLRX 1999 / LOWER CASING DRIVE 1

| PART NUMBER     |   | NOTE TEXT  |
|-----------------|---|--|
| 90430-08020-00  |  | OEM: This part number is among the Top 100 Most Popular Marine Maintenance Parts as of March 2014. |
| 93106-09014-00  |  | OEM: This part number is among the Top 100 Most Popular Marine Maintenance Parts as of March 2014. |
| 6H3-44352-00-00 |  | OEM: This part number is among the Top 100 Most Popular Marine Maintenance Parts as of March 2014. |

©2014 Yamaha Motor Corporation, U.S.A. All rights reserved.

40TLRX 1999 / LOWER CASING DRIVE 2





## Part List


40TLRX 1999 / LOWER CASING DRIVE 2

| REF - NO | PART NUMBER     | PART NAME                   | QUANTITY | REMARKS  |
|----------|-----------------|-----------------------------|----------|----------|
| 1        | 63D-44361-10-00 | TUBE, WATER                 | 1        | UR LONG  |
| 1        | 63D-44361-00-00 | TUBE, WATER                 | 1        | UR SHORT |
| 2        | 90202-12060-00  | WASHER, PLATE               | 1        |          |
| 3        | 90430-12072-00  | GASKET                      | 1        |          |
| 4        | 63D-44367-00-00 | DAMPER, WATER SEAL          | 1        |          |
| 5        | 93606-12019-00  | .PIN, DOWEL                 | 2        |          |
| 6        | 97075-10040-00  | BOLT                        | 4        |          |
| 7        | 92990-10100-00  | WASHER, SPRING              | 4        |          |
| 8        | 92990-10600-00  | WASHER, PLATE               | 4        |          |
| 9        | 90119-08M84-00  | BOLT, WITH WASHER           | 1        |          |
| 10       | 664-45371-01-00 | TAB-TRIM                    | 1        |          |
| 11       | 97095-08025-00  | BOLT                        | 1        |          |
| 12       | 92995-08100-00  | WASHER                      | 1        |          |
| 13       | 63D-45251-10-00 | ANODE                       | 1        |          |
| 14       | 97095-08020-00  | BOLT                        | 1        |          |
| 15       | 92995-08100-00  | WASHER                      | 1        |          |
| 16       | 663-44366-00-00 | .DAMPER, WATER SEAL 2       | 1        |          |
| 17       | 63D-44312-00-00 | .COVER, WATER PUMP HOUSING  | 1        |          |
| 18       | 663-45987-02-00 | SPACER 1                    | 1        |          |
| 19       | 670-45997-02-00 | SPACER                      | 1        |          |
| 20       | 92990-16200-00  | WASHER, PLAIN               | 1        |          |
| 21       | 90171-16011-00  | NUT, CASTLE                 | 1        |          |
| 22       | 91490-30025-00  | PIN. COTTER                 | 1        |          |
| 23       | 6H5-45958-00-EL | PROPELLER (3X10-1/4"X14"-G) | 1        | UR       |
| 23       | 663-45970-60-98 | PROPELLER (3X11-3/4"X12"-G) | 1        | UR       |
| 23       | 663-45972-60-98 | PROPELLER (3X12"X11"-G)     | 1        | UR       |
| 23       | 663-45974-60-98 | PROPELLER (3X11-1/2"X13"-G) | 1        | UR       |
| 23       | 663-45976-00-98 | PROPELLER (3X10-1/4"X15"-G) | 1        | UR       |
| 23       | 663-45978-00-98 | PROPELLER (3X10-1/4"X16"-G) | 1        | UR       |
| 23       | 663-45930-00-98 | PROPELLER (3X10-1/4"X14"-G) | 1        | UR       |
| 23       | 663-45945-02-EL | PROPELLER (3X11-1/8"X13"-G) | 1        | UR       |
| 23       | 663-45958-01-EL | PROPELLER (3X11-1/4"X14"-G) | 1        | UR       |
| 23       | 663-45974-02-98 | PROPELLER (3X10-5/8"X13"-G) | 1        | UR       |
| 23       | 663-45952-02-EL | PROPELLER (3X11-3/8"X12"-G) | 1        | UR       |
| 23       | 697-45970-00-98 | PROPELLER (3X11-1/4"X14"-G) | 1        | UR       |
| 23       | 6H5-45943-00-EL | PROPELLER (3X10"X15"-G)     | 1        | UR       |
| 23       | 663-45941-01-EL | PROPELLER (3X10-3/4"X17"-G) | 1        | UR       |
| 23       | 663-45956-01-EL | PROPELLER (3X12-1/4"X9"-G)  | 1        | UR       |
| 23       | 6H5-45952-00-EL | PROPELLER (3X10-3/8X13"-G)  | 1        | UR       |
| 23       | 6H5-45945-00-EL | PROPELLER (3X10-5/8X12"-G)  | 1        | UR       |
| 23       | 663-45947-02-EL | PROPELLER (3X11-5/8"X11"-G) | 1        | UR       |
| 23       | 663-45949-01-EL | PROPELLER (3X10-3/4"X16"-G) | 1        | UR       |

|    |                 |                      |   |            |
|----|-----------------|----------------------|---|------------|
| 24 | 663-45981-10-00 | .DAMPER, RUBBER PROP | 1 |            |
| 25 | 663-45986-00-94 | .RING, DEFLECTOR     | 1 | ALUM. PROP |
| 26 | 663-45376-00-94 | GUIDE, SEAL DAMPER   | 1 |            |
| 27 | 63D-45375-00-00 | DAMPER, SEAL         | 1 |            |

**Part Notes**

40TLRX 1999 / LOWER CASING DRIVE 2

| PART NUMBER    |   | NOTE TEXT  |
|----------------|---|--|
| 92990-10600-00 |  | OEM: This part number is among the Top 100 Most Popular Marine Maintenance Parts as of March 2014. |

©2014 Yamaha Motor Corporation, U.S.A. All rights reserved.



## Part List

40TLRX 1999 / GENERATOR

| REF<br>-<br>NO | PART<br>NUMBER  | PART NAME                      | QUANTITY | REMARKS |
|----------------|-----------------|--------------------------------|----------|---------|
| 1              | 63D-85550-00-00 | ROTOR ASSY                     | 1        | UR      |
| 1              | 63D-85550-10-00 | ROTOR ASSY                     | 1        | UR M    |
| 2              | 63D-85560-00-00 | BASE ASSY                      | 1        |         |
| 3              | 6H4-15359-04-94 | .HOUSING, OIL SEAL             | 1        |         |
| 4              | 63D-85520-00-00 | .COIL, CHARGE                  | 1        |         |
| 5              | 63D-85533-00-00 | .COIL, LIGHTING                | 1        |         |
| 6              | 63D-85580-00-00 | .COIL, PULSER                  | 1        |         |
| 7              | 6H4-83354-00-00 | .WIRE, EARTH LEAD 1            | 1        |         |
| 8              | 63D-81345-00-00 | .SCREW, WITH WASHER<br>(M5X12) | 6        |         |
| 9              | 63D-81345-10-00 | .SCREW, WITH WASHER<br>(M6X25) | 2        |         |
| 10             | 63D-81345-20-00 | .SCREW, WITH WASHER<br>(M6X30) | 4        |         |
| 11             | 90464-03M15-00  | .CLAMP                         | 1        |         |
| 12             | 93102-23096-00  | .OIL SEAL                      | 1        |         |
| 13             | 6H4-11545-00-00 | KEY, WOODRUFF                  | 1        |         |
| 14             | 90179-16M05-00  | NUT                            | 1        |         |
| 15             | 90201-16M44-00  | WASHER, PLATE                  | 1        |         |
| 16             | 6H4-81332-00-00 | PLATE, TIMING                  | 1        |         |
| 17             | 97885-05010-00  | .SCREW, PAN HEAD               | 1        |         |
| 18             | 92990-05600-00  | WASHER, PLATE                  | 1        |         |
| 19             | 97513-06518-00  | BOLT, WITH WASHER              | 3        |         |

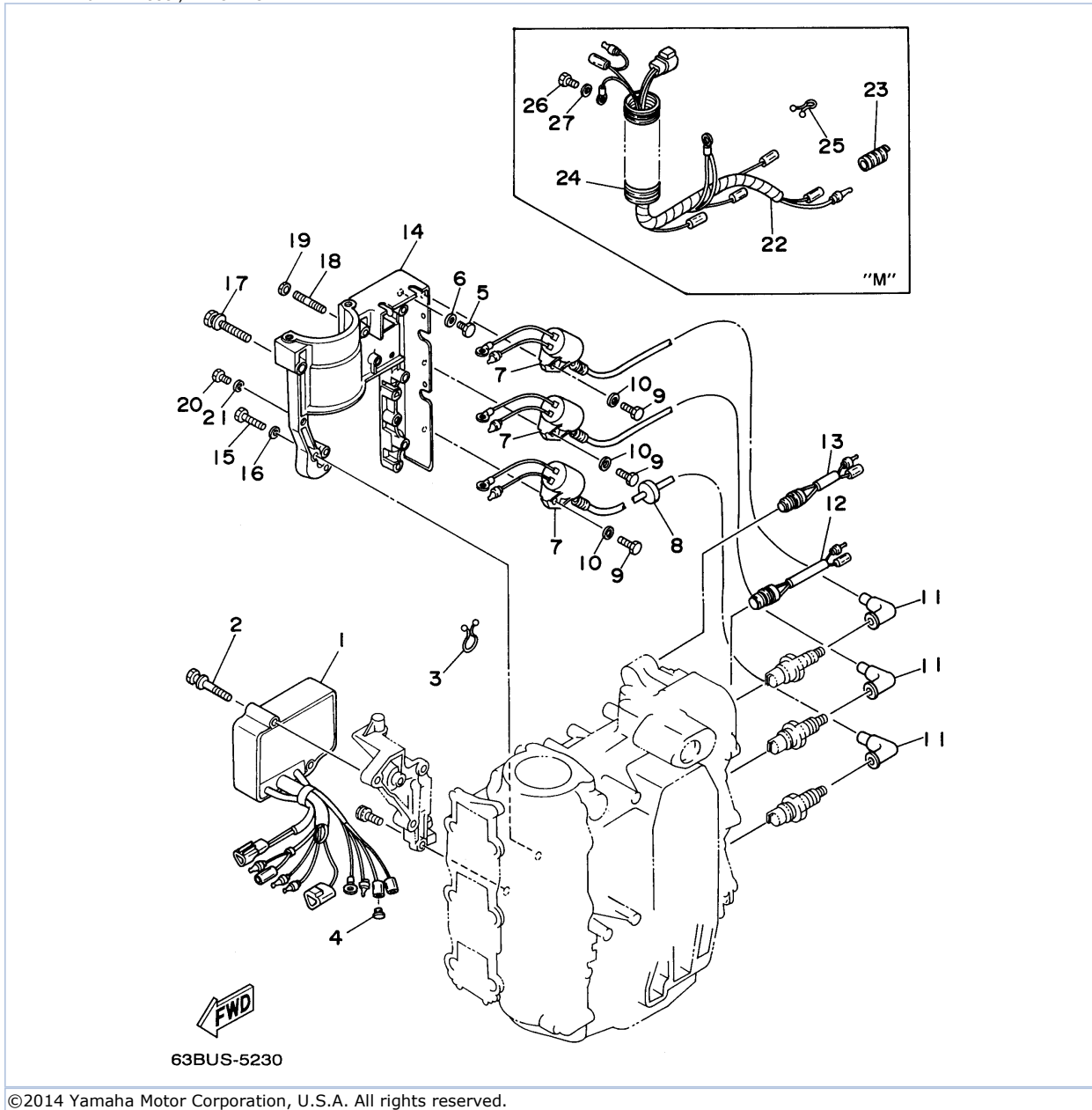


## Part List

40TLRX 1999 / STARTING MOTOR

| REF<br>-<br>NO | PART<br>NUMBER  | PART NAME                     | QUANTITY | REMARKS |
|----------------|-----------------|-------------------------------|----------|---------|
| 1              | 6F5-81800-11-00 | STARTING MOTOR ASSY           | 1        |         |
| 2              | 689-81857-11-00 | .PINION STOPPER SET           | 1        |         |
| 3              | 689-81807-12-00 | .GEAR ASSY, STARTING<br>MOTOR | 1        |         |
| 4              | 6F5-81830-11-00 | .FRONT BRACKET ASSY           | 1        |         |
| 5              | 689-81831-00-00 | ..METAL, FRONT                | 1        |         |
| 6              | 689-81847-11-00 | .O-RING                       | 2        |         |
| 7              | 689-81809-11-00 | .WASHER KIT                   | 1        |         |
| 8              | 689-81850-12-00 | .ARMATURE ASSY                | 1        |         |
| 9              | 689-81810-11-00 | .STATOR ASSY                  | 1        |         |
| 10             | 689-81811-11-00 | .BRUSH 1                      | 1        |         |
| 11             | 689-81840-11-00 | .BRUSH HOLDER ASSY            | 1        |         |
| 12             | 689-81812-11-00 | ..BRUSH 2                     | 1        |         |
| 13             | 689-81813-10-00 | .SPRING, BRUSH                | 2        |         |
| 14             | 689-81820-11-00 | .REAR BRACKET ASSY            | 1        |         |
| 15             | 689-81826-10-00 | .BOLT                         | 2        |         |
| 16             | 97513-08230-00  | BOLT, WITH WASHER             | 2        |         |
| 17             | 6J8-15723-E1-00 | PULLEY, STARTER               | 1        |         |
| 18             | 6J8-81365-A0-00 | GASKET, HOLE COVER            | 1        |         |
| 19             | 97513-08214-00  | BOLT, WITH WASHER             | 3        |         |
| 20             | 6H4-81337-01-00 | COVER, FLYWHEEL               | 1        |         |
| 21             | 90387-06M65-00  | COLLAR                        | 3        |         |
| 22             | 90159-06M21-00  | SCREW, WITH WASHER            | 1        |         |
| 23             | 90159-06M22-00  | SCREW, WITH WASHER            | 2        |         |
| 24             | 97513-08216-00  | BOLT, WITH WASHER             | 1        |         |

40TLRX 1999 / ELECTRICAL 1





## Part List

40TLRX 1999 / ELECTRICAL 1

| REF<br>-<br>NO | PART<br>NUMBER  | PART NAME               | QUANTITY | REMARKS |
|----------------|-----------------|-------------------------|----------|---------|
| 1              | 63D-85540-01-00 | C.D.I. UNIT ASSY        | 1        |         |
| 2              | 90119-06M51-00  | BOLT, WITH WASHER       | 2        |         |
| 3              | 90464-15M11-00  | CLAMP                   | 1        |         |
| 4              | 703-82119-00-00 | COVER, LEAD WIRE        | 1        | UR      |
| 5              | 97095-06014-00  | BOLT                    | 1        |         |
| 6              | 92995-06600-00  | WASHER                  | 1        |         |
| 7              | 6H5-85570-00-00 | IGNITION COIL ASSY      | 3        |         |
| 8              | 90480-25161-00  | GROMMET                 | 1        |         |
| 9              | 97095-06020-00  | BOLT                    | 3        |         |
| 10             | 92995-06600-00  | WASHER                  | 3        |         |
| 11             | 663-82370-01-00 | PLUG CAP ASSY           | 3        | UR USA  |
| 12             | 689-82560-00-00 | THERMO SWITCH ASSEMBLY  | 1        |         |
| 13             | 6H4-82560-00-00 | THERMO SWITCH ASSY      | 1        |         |
| 14             | 6H4-81822-02-98 | BRACKET, STARTING MOTOR | 1        | E       |
| 15             | 97095-06030-00  | BOLT                    | 4        | E       |
| 16             | 92995-06600-00  | WASHER                  | 4        | E       |
| 17             | 97513-08550-00  | BOLT, WITH WASHER       | 1        | E       |
| 18             | 95670-06640-00  | BOLT, STUD              | 1        | E       |
| 19             | 90179-06M24-00  | NUT                     | 1        | E       |
| 20             | 97095-06014-00  | BOLT                    | 2        | E       |
| 21             | 92990-06600-00  | WASHER, PLATE           | 2        | E       |
| 22             | 63D-82531-00-00 | WIRE, LEAD              | 1        | M       |
| 23             | 90446-10M02-00  | HOSE                    | 1        | M       |
| 24             | 6G1-83557-00-00 | TUBE                    | 1        | M       |
| 25             | 90464-05M16-00  | CLAMP                   | 1        | M       |
| 26             | 97095-06014-00  | BOLT                    | 1        | M       |
| 27             | 92990-06600-00  | WASHER, PLATE           | 1        | M       |

## Part Notes

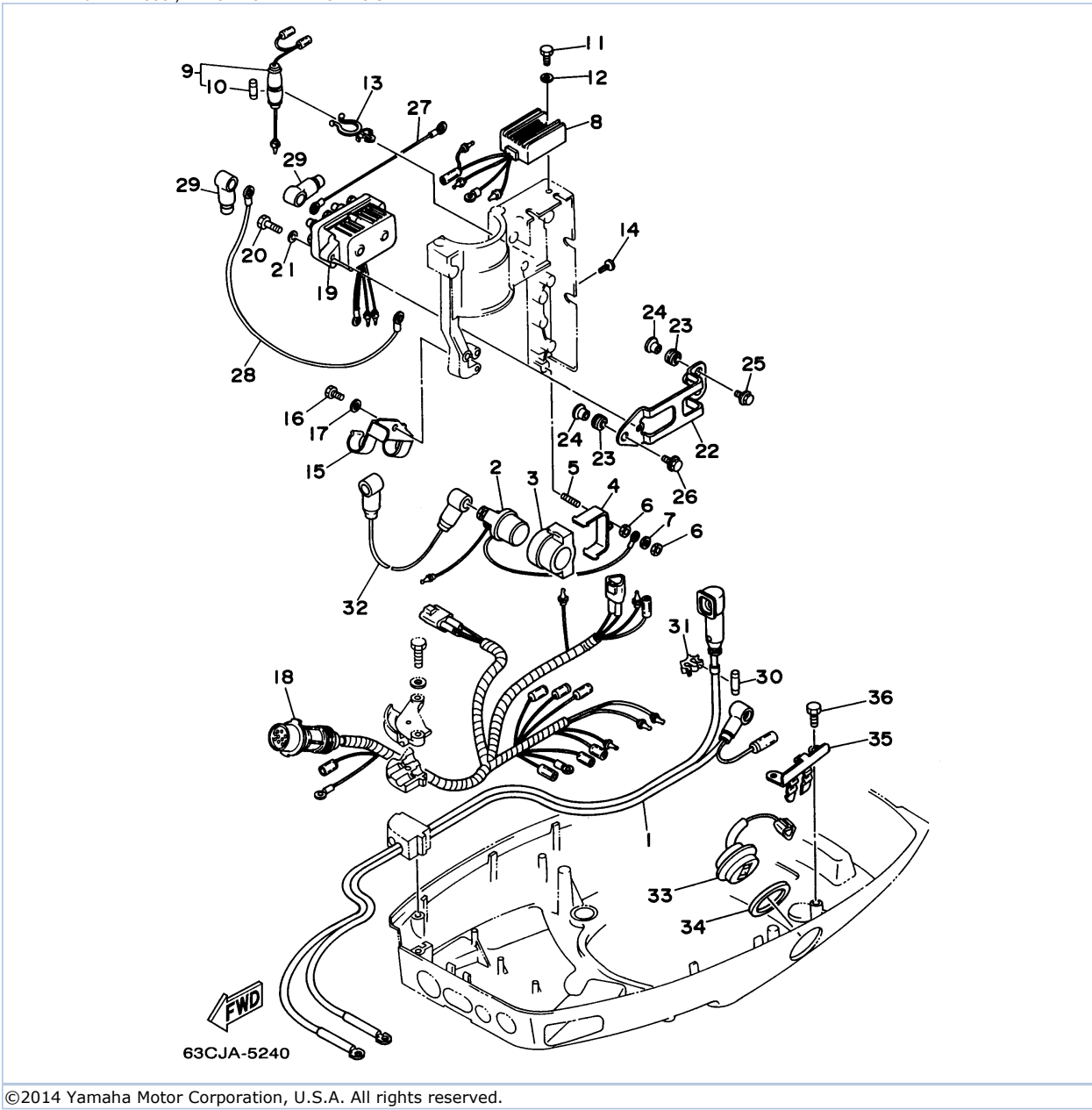
40TLRX 1999 / ELECTRICAL 1

| PART NUMBER  | NOTE TEXT  |
|--|--|
| 92990-06600-00  | OEM: This part number is among the Top 100 Most Popular Marine Maintenance Parts as of March 2014. |
| 92990-06600-00  | OEM: This part number is among the Top 100 Most Popular Marine Maintenance Parts as of March 2014. |

©2014 Yamaha Motor Corporation, U.S.A. All rights reserved.



40TLRX 1999 / ELECTRICAL 2 ELECTRIC START



©2014 Yamaha Motor Corporation, U.S.A. All rights reserved.


## Part List

40TLRX 1999 / ELECTRICAL 2 ELECTRIC START

| REF - NO | PART NUMBER     | PART NAME                  | QUANTITY | REMARKS |
|----------|-----------------|----------------------------|----------|---------|
| 1        | 6H4-82105-02-00 | BATTERY CABLE              | 1        |         |
| 2        | 6G1-81941-10-00 | STARTER RELAY ASSY         | 1        |         |
| 3        | 6H4-81952-00-00 | HOLDER, RELAY              | 1        |         |
| 4        | 6H4-81945-00-00 | PLATE, SWITCH FITTING      | 1        |         |
| 5        | 90116-06M22-00  | BOLT, STUD                 | 1        |         |
| 6        | 95380-06600-00  | NUT, HEXAGON               | 2        |         |
| 7        | 92990-06600-00  | WASHER, PLATE              | 1        |         |
| 8        | 6H2-81960-00-00 | RECTIFIER & REGULATOR ASSY | 1        |         |
| 9        | 6H4-82150-00-00 | FUSE HOLDER ASSY           | 1        |         |
| 10       | 663-82151-00-00 | .FUSE (12V-20A)            | 1        |         |
| 11       | 97095-06014-00  | BOLT                       | 1        |         |
| 12       | 92995-06600-00  | WASHER                     | 1        |         |
| 13       | 90464-15M27-00  | CLAMP                      | 1        |         |
| 14       | 90338-05M11-00  | PLUG                       | 2        |         |
| 15       | 63D-82594-00-00 | CLAMP                      | 1        |         |
| 16       | 97095-06012-00  | BOLT                       | 1        |         |
| 17       | 92995-06600-00  | WASHER                     | 1        |         |
| 18       | 63D-82590-10-00 | WIRE HARNESS ASSY          | 1        | UR      |
| 18       | 63D-82590-20-00 | WIRE HARNESS ASSY          | 1        | UR PTT  |
| 19       | 6H1-81950-00-00 | RELAY ASSY                 | 1        | PTT     |
| 20       | 97095-06025-00  | BOLT                       | 2        | PTT     |
| 21       | 92995-06600-00  | WASHER                     | 2        | PTT     |
| 22       | 6H4-81945-20-00 | PLATE, SWITCH FITTING      | 1        | PTT     |
| 23       | 90480-13M24-00  | GROMMET                    | 3        | PTT     |
| 24       | 90387-06M05-00  | COLLAR                     | 3        | PTT     |
| 25       | 90105-06M15-00  | BOLT, FLANGE               | 2        | PTT     |
| 26       | 90105-06M16-00  | BOLT, FLANGE               | 1        | PTT     |
| 27       | 6H5-81949-00-00 | WIRE, LEAD                 | 1        | PTT     |
| 28       | 61A-81949-00-00 | WIRE, LEAD                 | 1        | PTT     |
| 29       | 682-82119-01-00 | COVER, LEAD WIRE           | 4        | PTT     |
| 30       | 6H3-82151-00-00 | FUSE                       | 1        |         |
| 31       | 90464-07M20-00  | CLAMP                      | 1        |         |
| 32       | 6H4-82117-00-00 | WIRE, LEAD                 | 1        |         |
| 33       | 63D-82563-10-00 | TRIM & TILT SWITCH ASSY    | 1        | PTT     |
| 34       | 6E5-82587-00-00 | GASKET                     | 1        | PTT     |
| 35       | 6R3-83614-00-00 | BRACKET                    | 1        | PTT     |
| 36       | 97095-06016-00  | BOLT                       | 2        | PTT     |

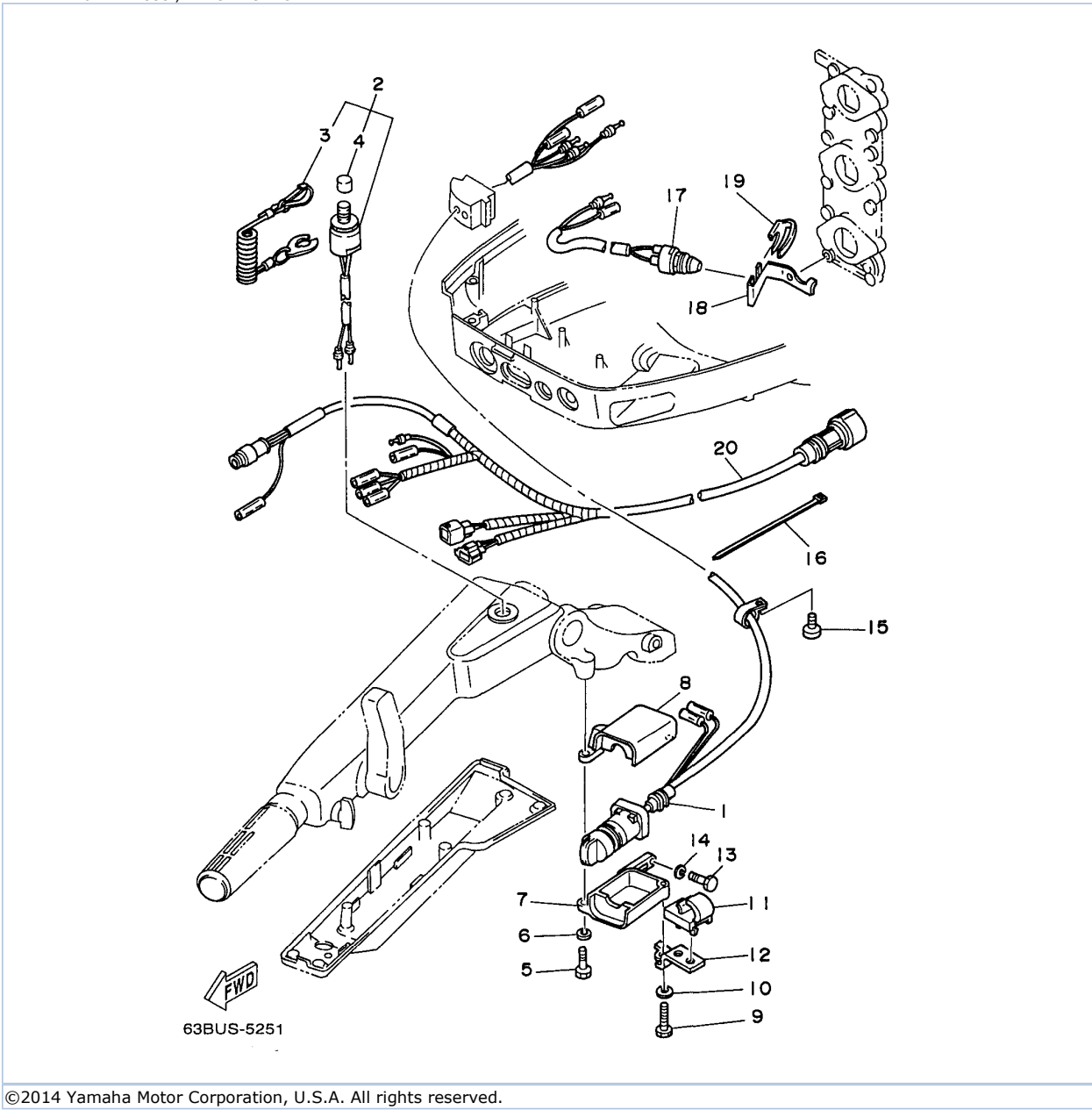
## Part Notes

40TLRX 1999 / ELECTRICAL 2 ELECTRIC START

| PART NUMBER  | NOTE TEXT  |
|--|--|
| 92990-06600-00  | OEM: This part number is among the Top 100 Most Popular Marine Maintenance Parts as of March 2014. |

©2014 Yamaha Motor Corporation, U.S.A. All rights reserved.

40TLRX 1999 / ELECTRICAL 3 TILLER HANDLE





## Part List

40TLRX 1999 / ELECTRICAL 3 TILLER HANDLE

| REF<br>-<br>NO | PART<br>NUMBER  | PART NAME               | QUANTITY | REMARKS |
|----------------|-----------------|-------------------------|----------|---------|
| 1              | 6H5-82510-00-00 | MAIN SWITCH ASSY        | 1        |         |
| 2              | 6K5-82575-02-00 | ENGINE STOP SWITCH ASSY | 1        | UR M    |
| 2              | 63D-82575-00-00 | ENGINE STOP SWITCH ASSY | 1        | UR      |
| 3              | 682-82556-00-00 | .LANYARD, STOP SWITCH   | 1        |         |
| 4              | 689-8257Y-00-00 | .CAP                    | 1        |         |
| 5              | 97095-06025-00  | BOLT                    | 1        |         |
| 6              | 92995-06100-00  | WASHER, SPRING          | 1        |         |
| 7              | 63D-8252F-01-4D | COVER, MAIN SWITCH 2    | 1        |         |
| 8              | 63D-8252E-01-4D | COVER, MAIN SWITCH      | 1        |         |
| 9              | 97095-06030-00  | BOLT                    | 1        |         |
| 10             | 92990-06600-00  | WASHER, PLATE           | 1        |         |
| 11             | 63D-24367-00-00 | CLAMP, FUEL PIPE 2      | 1        |         |
| 12             | 63D-24364-00-00 | STAY                    | 1        |         |
| 13             | 97095-06020-00  | BOLT                    | 1        |         |
| 14             | 92995-06100-00  | WASHER, SPRING          | 1        |         |
| 15             | 97885-06012-00  | SCREW, PAN HEAD         | 1        |         |
| 16             | 90465-13M36-00  | CLAMP                   | 1        |         |
| 17             | 688-82540-11-00 | NEUTRAL SWITCH ASSY     | 1        |         |
| 18             | 63D-82554-00-00 | STAY, NEUTRAL SWITCH    | 1        |         |
| 19             | 663-82555-01-00 | DAMPER, MAIN SWITCH 1   | 1        |         |
| 20             | 63D-82586-00-00 | EXTENSION, WIRE HARNESS | 1        |         |

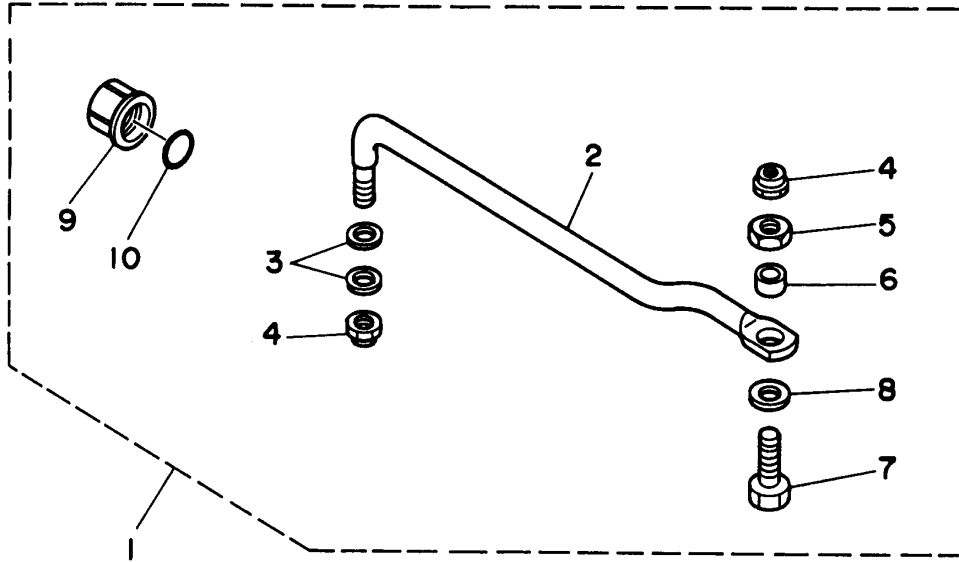
## Part Notes

40TLRX 1999 / ELECTRICAL 3 TILLER HANDLE

| PART NUMBER     |   | NOTE TEXT  |
|-----------------|---|--|
| 682-82556-00-00 |  | OEM: This part number is among the Top 100 Most Popular Marine Maintenance Parts as of March 2014. |
| 92990-06600-00  |  | OEM: This part number is among the Top 100 Most Popular Marine Maintenance Parts as of March 2014. |

©2014 Yamaha Motor Corporation, U.S.A. All rights reserved.

40TLRX 1999 / ALTERNATE 1 STEERING GUIDE ATTACHMENT



63CJA-5260

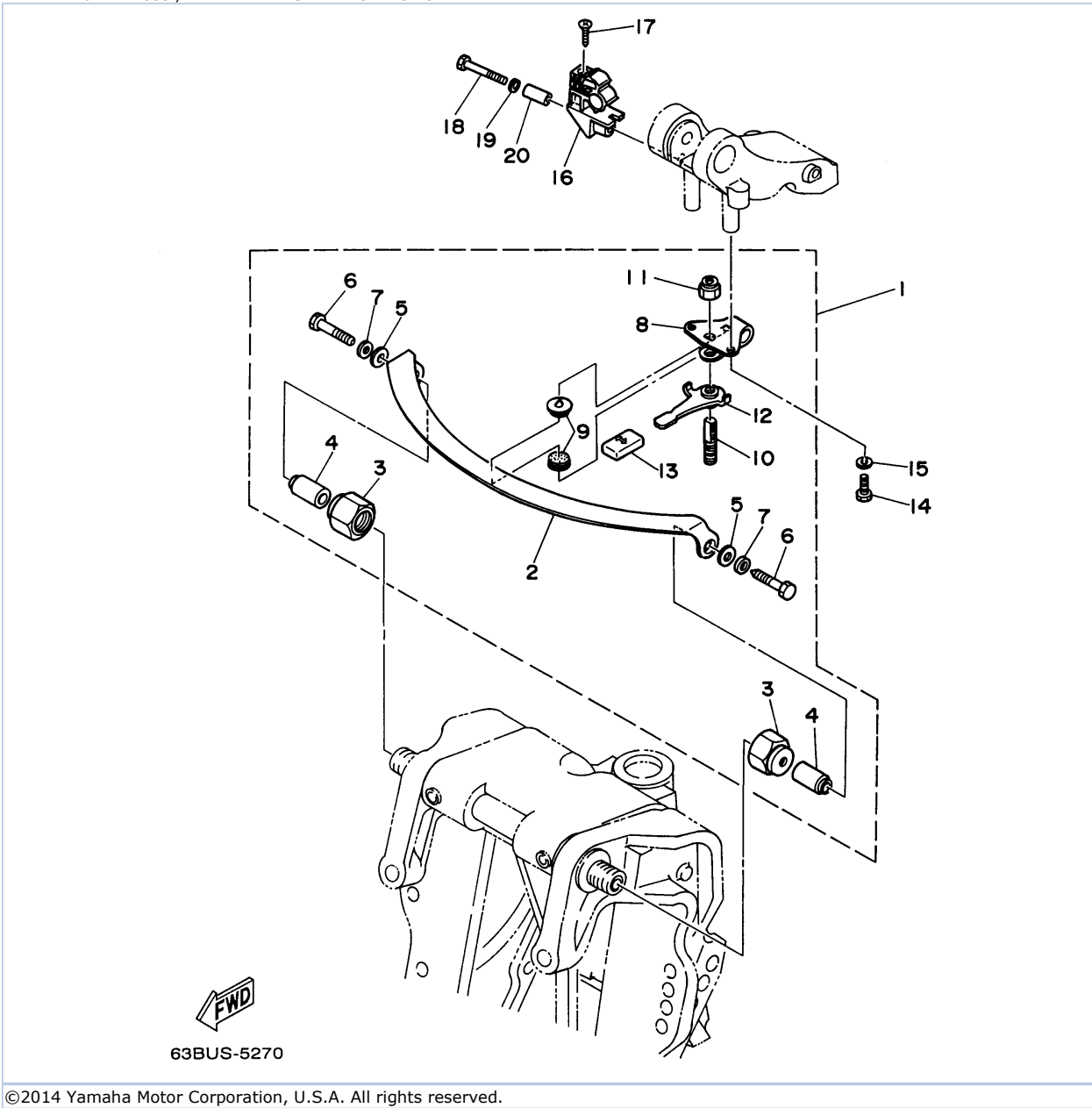
©2014 Yamaha Motor Corporation, U.S.A. All rights reserved.

## Part List

40TLRX 1999 / ALTERNATE 1 STEERING GUIDE ATTACHMENT

| REF<br>-<br>NO | PART<br>NUMBER  | PART NAME                        | QUANTITY | REMARKS |
|----------------|-----------------|----------------------------------|----------|---------|
| 1              | 63D-61350-00-00 | STEERING GUIDE<br>ATTACHMENT KIT | 1        |         |
| 2              | 63D-61351-00-00 | .ROD, STEERING LINK              | 1        |         |
| 3              | 90201-10M20-00  | .WASHER, PLATE                   | 2        |         |
| 4              | 90185-09M01-00  | .NUT, SELF-LOCKING               | 2        |         |
| 5              | 90170-09M03-00  | .NUT                             | 1        |         |
| 6              | 90387-10M42-00  | .COLLAR                          | 1        |         |
| 7              | 90101-09M01-00  | .BOLT                            | 1        |         |
| 8              | 90201-10M63-00  | .WASHER, PLATE                   | 1        |         |
| 9              | 6E5-43145-00-00 | .CAP, CLAMP BRACKET              | 1        |         |
| 10             | 93210-16275-00  | .O-RING                          | 1        |         |

40TLRX 1999 / ALTERNATE 2 STEERING FRICTION



©2014 Yamaha Motor Corporation, U.S.A. All rights reserved.


## Part List

40TLRX 1999 / ALTERNATE 2 STEERING FRICTION

| REF - NO | PART NUMBER     | PART NAME              | QUANTITY | REMARKS |
|----------|-----------------|------------------------|----------|---------|
| 1        | 63D-42508-00-00 | STEERING FRICTION ASSY | 1        |         |
| 2        | 63D-42527-00-00 | .PLATE, FRICTION       | 1        |         |
| 3        | 63D-42546-00-00 | .NUT                   | 2        |         |
| 4        | 63D-42541-00-00 | .PIPE 1                | 2        |         |
| 5        | 90201-08M01-00  | .WASHER, PLATE         | 2        |         |
| 6        | 97395-08050-00  | .BOLT                  | 2        |         |
| 7        | 92995-08600-00  | .WASHER                | 2        |         |
| 8        | 63D-42526-00-00 | .PLATE, FRICTION       | 1        |         |
| 9        | 63D-42528-00-00 | .PLATE, FRICTION       | 2        |         |
| 10       | 63D-42562-00-00 | .SHAFT, STEERING LOCK  | 1        |         |
| 11       | 90185-10M01-00  | .NUT, SELF-LOCKING     | 1        |         |
| 12       | 63D-42561-00-00 | .KNOB, STEERING LOCK   | 1        |         |
| 13       | 682-43318-01-00 | .COVER                 | 1        |         |
| 14       | 97095-06016-00  | BOLT                   | 2        |         |
| 15       | 92995-06100-00  | WASHER, SPRING         | 2        |         |
| 16       | 63D-82361-00-00 | CLAMP, CORD            | 1        |         |
| 17       | 90161-06M00-00  | SCREW, TAPPING         | 1        |         |
| 18       | 97095-06035-00  | BOLT                   | 1        |         |
| 19       | 92990-06600-00  | WASHER, PLATE          | 1        |         |
| 20       | 90387-06M26-00  | COLLAR                 | 1        |         |

## Part Notes

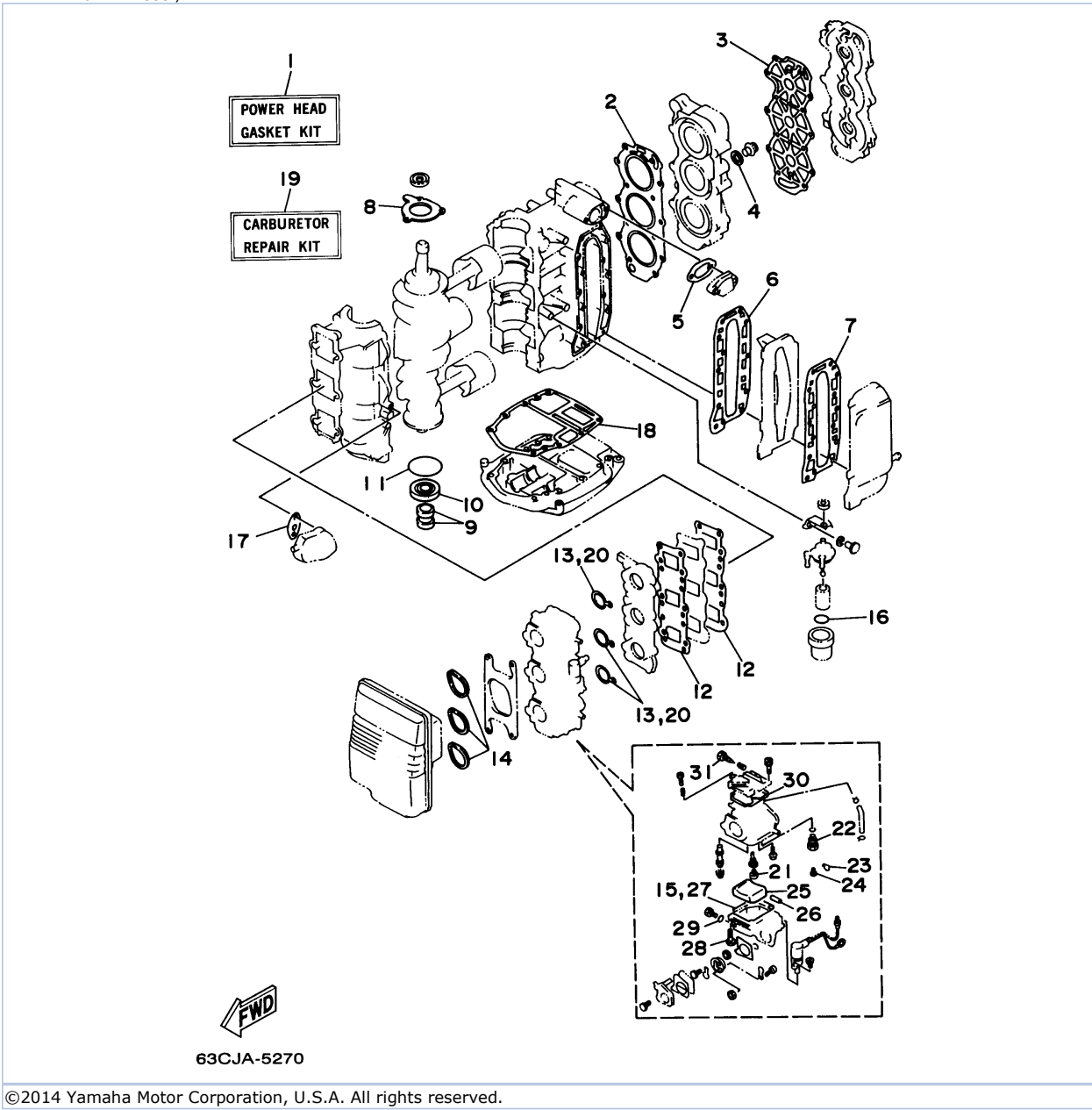
40TLRX 1999 / ALTERNATE 2 STEERING FRICTION

| PART NUMBER  | NOTE TEXT  |
|--|--|
| 92990-06600-00  | OEM: This part number is among the Top 100 Most Popular Marine Maintenance Parts as of March 2014. |

©2014 Yamaha Motor Corporation, U.S.A. All rights reserved.



40TLRX 1999 / REPAIR KIT 1



©2014 Yamaha Motor Corporation, U.S.A. All rights reserved.



## Part List

40TLRX 1999 / REPAIR KIT 1

| REF - NO | PART NUMBER     | PART NAME                    | QUANTITY | REMARKS |
|----------|-----------------|------------------------------|----------|---------|
| 1        | 63D-W0001-00-00 | POWER HEAD GASKET KIT        | 1        |         |
| 2        | 63D-11181-A1-00 | .GASKET, CYLINDER HEAD 1     | 1        |         |
| 3        | 63D-11193-A0-00 | .GASKET, HEAD COVER 1        | 1        |         |
| 4        | 90430-14115-00  | .GASKET                      | 1        |         |
| 5        | 61A-12414-A0-00 | .GASKET, COVER               | 1        |         |
| 6        | 6H4-41112-A0-00 | .GASKET, EXHAUST INNER COVER | 1        |         |
| 7        | 6H4-41114-A0-00 | .GASKET, EXHAUST COVER       | 1        |         |
| 8        | 6H4-15369-A1-00 | .GASKET, OIL SEAL HOUSING    | 1        |         |
| 9        | 93101-16M36-00  | .OIL SEAL                    | 2        |         |
| 10       | 93102-25M28-00  | .OIL SEAL                    | 1        |         |
| 11       | 93210-58M21-00  | .O-RING                      | 1        |         |
| 12       | 6H4-13621-A1-00 | .GASKET, VALVE SEAT          | 2        |         |
| 13       | 6H4-14198-01-00 | .GASKET                      | 3        |         |
| 14       | 6H3-14457-01-00 | .SEAL                        | 3        |         |
| 15       | 6H4-14984-00-00 | .GASKET, FLOAT CHAMBER       | 3        |         |
| 16       | 93210-32738-00  | .O-RING                      | 1        |         |
| 17       | 650-24431-A0-00 | .GASKET, FUEL PUMP 1         | 1        |         |
| 18       | 6H4-45113-A0-00 | .GASKET, UPPER CASING        | 1        |         |
| 19       | 6H4-W0093-03-00 | CARBURETOR REPAIR KIT        | 1        |         |
| 20       | 6H4-14198-01-00 | .GASKET                      | 3        |         |
| 21       | 676-14966-00-00 | .CAP                         | 3        |         |
| 22       | 6H4-14590-00-00 | .NEEDLE VALVE ASSY           | 3        |         |
| 23       | 663-14159-00-00 | .CLIP                        | 3        |         |
| 24       | 676-14186-00-00 | .PIN, FLOAT                  | 3        |         |
| 25       | 6H4-14985-01-00 | .FLOAT                       | 3        |         |
| 26       | 6H4-14548-00-00 | .PIN, FLOAT ARM              | 3        |         |
| 27       | 6H4-14984-00-00 | .GASKET, FLOAT CHAMBER       | 3        |         |
| 28       | 97980-04114-00  | .SCREW, WITH WASHER          | 3        |         |
| 29       | 93210-04230-00  | .O-RING                      | 3        |         |
| 30       | 6H4-14147-00-00 | .O-RING                      | 3        |         |
| 31       | 692-14923-00-00 | .SCREW, PILOT                | 3        |         |

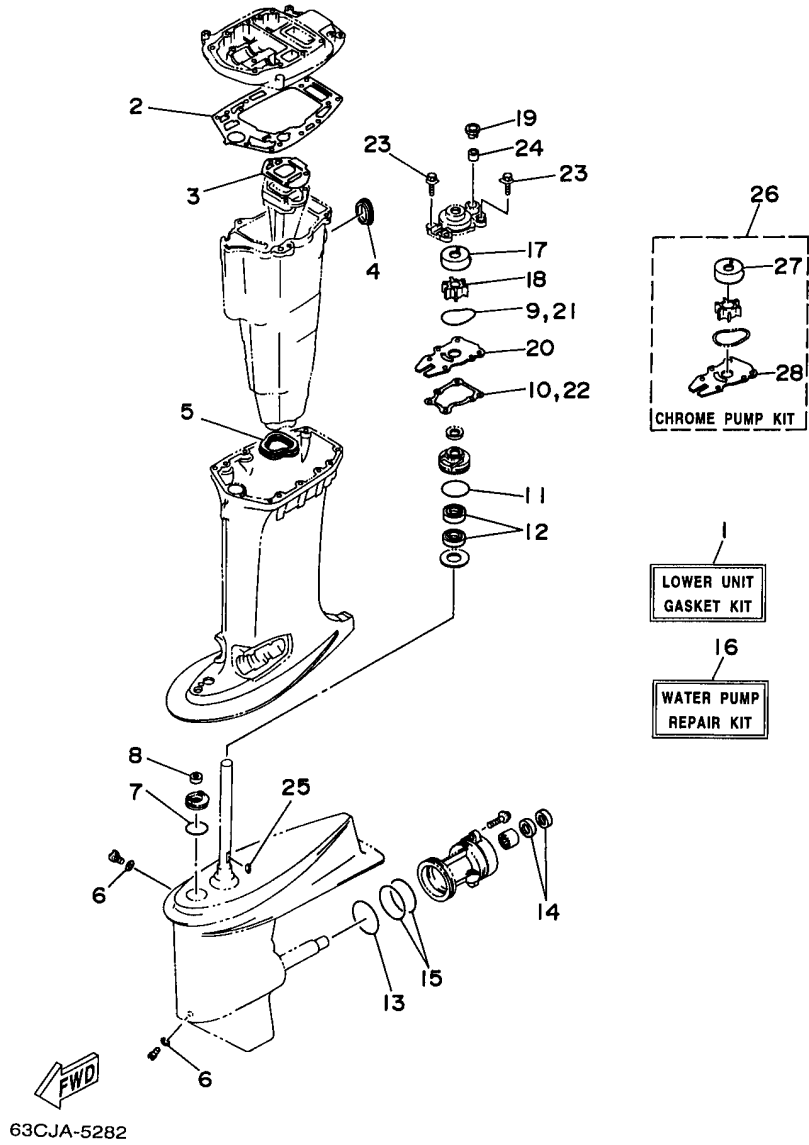
## Part Notes

40TLRX 1999 / REPAIR KIT 1

| PART NUMBER   | NOTE TEXT  |
|---|--|
| 61A-12414-A0-00  | OEM: This part number is among the Top 100 Most Popular Marine Maintenance Parts as of March 2014. |
| 650-24431-A0-00  | OEM: This part number is among the Top 100 Most Popular Marine Maintenance Parts as of March 2014. |

©2014 Yamaha Motor Corporation, U.S.A. All rights reserved.

40TLRX 1999 / REPAIR KIT 2



©2014 Yamaha Motor Corporation, U.S.A. All rights reserved.





## Part List

40TLRX 1999 / REPAIR KIT 2

| REF - NO | PART NUMBER     | PART NAME                  | QUANTITY | REMARKS |
|----------|-----------------|----------------------------|----------|---------|
| 1        | 63D-W0001-20-00 | LOWER UNIT GASKET KIT      | 1        |         |
| 2        | 63D-45114-A0-00 | .GASKET, UPPER CASING      | 1        |         |
| 3        | 6H4-41134-A0-00 | .GASKET, EXHAUST MANIFOLD  | 1        |         |
| 4        | 6H3-45127-00-00 | .SEAL                      | 1        |         |
| 5        | 63D-45123-00-00 | .GASKET, MUFFLER           | 1        |         |
| 6        | 90430-08020-00  | .GASKET                    | 2        |         |
| 7        | 93210-33MG4-00  | .O-RING                    | 1        |         |
| 8        | 93106-09014-00  | .OIL SEAL                  | 1        |         |
| 9        | 93210-59MG7-00  | .O-RING                    | 1        |         |
| 10       | 63D-44316-00-00 | .GASKET, WATER PUMP        | 1        |         |
| 11       | 93210-48MG8-00  | .O-RING                    | 1        |         |
| 12       | 93101-25M57-00  | .OIL SEAL                  | 2        |         |
| 13       | 93210-69MG6-00  | .O-RING                    | 1        |         |
| 14       | 93101-22M00-00  | .OIL SEAL                  | 2        |         |
| 15       | 93210-74MG5-00  | .O-RING                    | 2        |         |
| 16       | 63D-W0078-01-00 | WATER PUMP REPAIR KIT      | 1        |         |
| 17       | 63D-44322-00-00 | .INSERT, CARTRIDGE         | 1        |         |
| 18       | 6H3-44352-00-00 | .IMPELLER                  | 1        |         |
| 19       | 63D-44312-00-00 | .COVER, WATER PUMP HOUSING | 1        |         |
| 20       | 63D-44323-00-00 | .OUTER PLATE, CARTRIDGE    | 1        |         |
| 21       | 93210-59MG7-00  | .O-RING                    | 1        |         |
| 22       | 63D-44316-00-00 | .GASKET, WATER PUMP        | 1        |         |
| 23       | 90119-08M15-00  | .BOLT, WITH WASHER         | 4        |         |
| 24       | 663-44366-00-00 | .DAMPER, WATER SEAL 2      | 1        |         |
| 25       | 90280-03024-00  | .KEY, WOODRUFF             | 1        |         |
| 26       | 63D-W0078-0A-00 | CHROME PUMP KIT            | 1        |         |
| 27       | 63D-44322-40-00 | .INSERT, CARTRIDGE         | 1        |         |
| 28       | 63D-44323-40-00 | .OUTER PLATE, CARTRIDGE    | 1        |         |

## Part Notes

40TLRX 1999 / REPAIR KIT 2

| PART NUMBER     |   | NOTE TEXT  |
|-----------------|---|--|
| 90430-08020-00  |  | OEM: This part number is among the Top 100 Most Popular Marine Maintenance Parts as of March 2014. |
| 93106-09014-00  |  | OEM: This part number is among the Top 100 Most Popular Marine Maintenance Parts as of March 2014. |
| 63D-W0078-01-00 |  | OEM: This part number is among the Top 100 Most Popular Marine Maintenance Parts as of March 2014. |
| 6H3-44352-00-00 |  | OEM: This part number is among the Top 100 Most Popular Marine Maintenance Parts as of March 2014. |

©2014 Yamaha Motor Corporation, U.S.A. All rights reserved.

©2014 Yamaha Motor Corporation, U.S.A. All rights reserved.