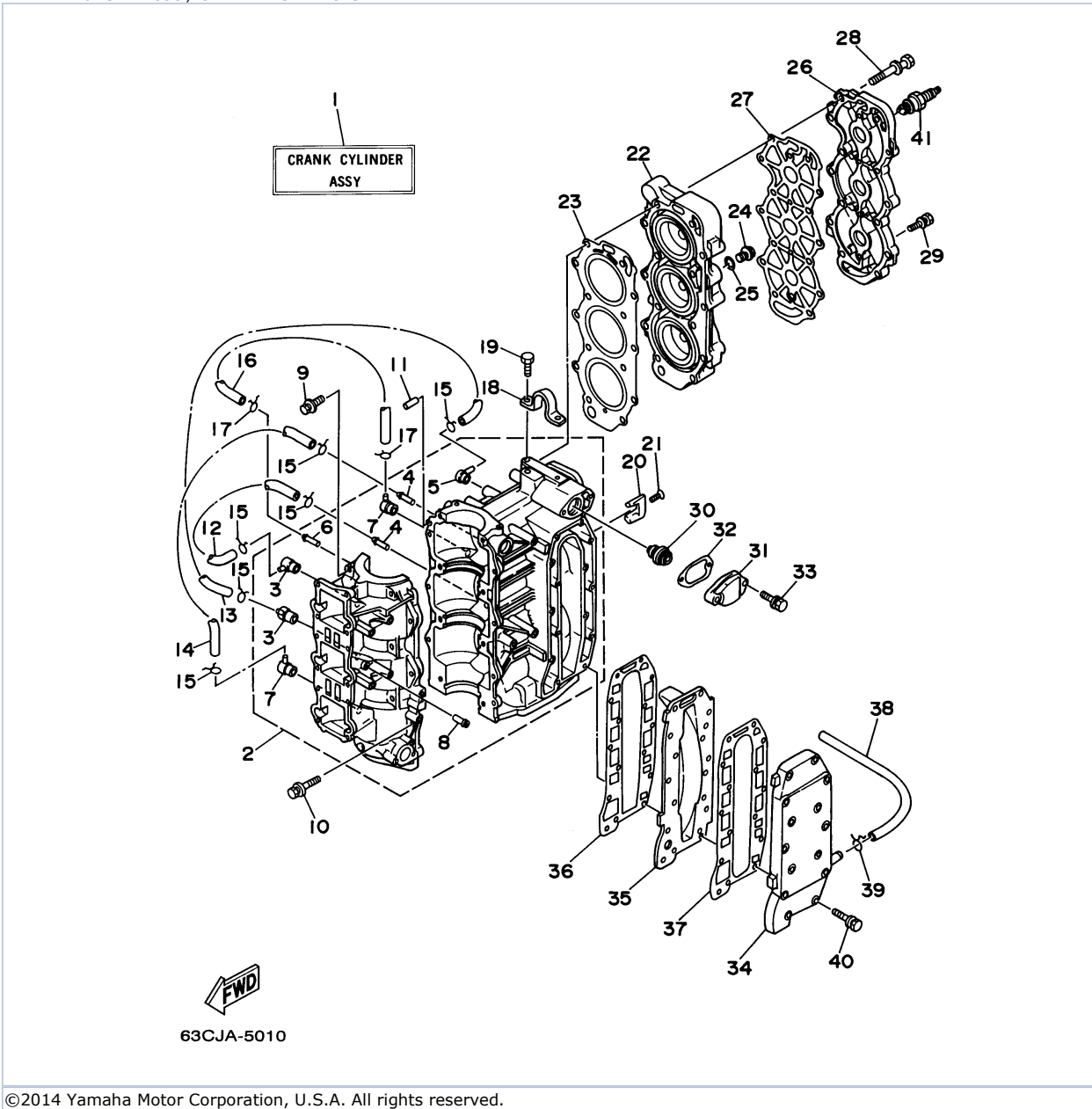


40MSHW 1998 / CYLINDER CRANKCASE




Part List

40MSHW 1998 / CYLINDER CRANKCASE

REF - NO	PART NUMBER	PART NAME	QUANTITY	REMARKS
1	63D-W0090-10-4D	CRANK CYLINDER ASSY	1	
1	63D-W0090-30-4D	CRANK CYLINDER ASSY	1	
2	6H4-15100-30-94	CRANKCASE ASSY	1	UR M
2	6H4-15100-13-94	CRANKCASE ASSY	1	UR E
3	650-11370-00-00	.CHECK VALVE ASSY	2	
4	624-14485-00-00	.PIPE, JOINT	2	
5	6H4-11372-00-00	.NIPPLE, HOSE	1	
6	624-14485-00-00	.PIPE, JOINT	1	
7	688-11370-00-00	.CHECK VALVE ASSY	2	
8	650-24378-00-00	.PIPE, JOINT 4	1	E
9	90119-08M19-00	BOLT, WITH WASHER	8	
10	90119-06M13-00	BOLT, WITH WASHER	6	
11	93606-12019-00	.PIN, DOWEL	2	
12	90445-07M46-00	HOSE (L360)	1	
13	90445-07M27-00	HOSE (L310)	1	
14	90445-07M24-00	HOSE (L240)	1	
15	90467-06016-00	CLIP	6	
16	90445-07MA3-00	HOSE (L200)	1	
17	90467-06016-00	CLIP	2	
18	6H4-11119-00-00	HANGER, ENGINE	1	
19	97013-06014-00	BOLT	2	
20	688-11325-00-00	ANODE	2	
21	98780-04016-00	SCREW, FLAT HEAD	2	
22	63D-11111-00-94	HEAD, CYLINDER 1	1	
23	63D-11181-A1-00	.GASKET, CYLINDER HEAD 1	1	
24	90340-14M00-00	.PLUG, STRAIGHT SCREW	1	
25	90430-14115-00	.GASKET	1	
26	63D-11191-00-9M	COVER, CYLINDER HEAD 1	1	
27	63D-11193-A0-00	.GASKET, HEAD COVER 1	1	
28	90119-08M29-00	BOLT, WITH WASHER	14	
29	97513-06225-00	BOLT, WITH WASHER	4	
30	6E5-12411-20-00	THERMOSTAT	1	
31	6H4-12413-00-9M	COVER, THERMOSTAT	1	
32	61A-12414-A0-00	.GASKET, COVER	1	
33	97513-06225-00	BOLT, WITH WASHER	2	
34	6H4-41113-00-9M	OUTER COVER, EXHAUST	1	
35	6H4-41111-00-9M	INNER COVER, EXHAUST	1	
36	6H4-41112-A0-00	.GASKET, EXHAUST INNER COVER	1	
37	6H4-41114-A0-00	GASKET, EXHAUST COVER	1	
38	90445-09M37-00	HOSE (L240)	1	
39	90467-08004-00	CLIP	1	
40	97513-06235-00	BOLT, WITH WASHER	13	
41	NGK-B8HS1-00-00	PLUG, SPARK (NGK B8HS-10)	3	UR 50
41	NGK-B7HS1-00-00	PLUG, SPARK (NGK B7HS-10)	3	UR 40

Part Notes

40MSHW 1998 / CYLINDER CRANKCASE

PART NUMBER	NOTE TEXT
61A-12414-A0-00 	OEM: This part number is among the Top 100 Most Popular Marine Maintenance Parts as of March 2014.

©2014 Yamaha Motor Corporation, U.S.A. All rights reserved.


Part List

40MSHW 1998 / CRANKSHAFT PISTON

REF - NO	PART NUMBER	PART NAME	QUANTITY	REMARKS
1	6H4-15369-A1-00	GASKET, OIL SEAL HOUSING	1	
2	6H4-15396-03-5B	HOUSING, OIL SEAL	1	
3	93102-25M28-00	OIL SEAL	1	
4	93101-16M36-00	OIL SEAL	2	
5	93210-58M21-00	.O-RING	1	
6	97095-06020-00	BOLT	1	
7	92995-06600-00	WASHER	1	
8	6H4-11400-14-00	CRANKSHAFT ASSY	1	
9	6H4-11536-00-00	.GEAR, DRIVE	1	
10	93306-305U8-00	.BEARING	2	
11	93440-62057-00	.CIRCLIP, OUTER	2	
12	90201-50306-00	WASHER, PLATE	1	
13	6H4-11635-01-00	PISTON (0.25MM O/S)	3	AP
13	6H4-11631-01-95	PISTON (STD)	3	
13	6H4-11636-01-00	PISTON (0.50MM O/S)	3	AP
14	63D-11605-00-00	PISTON RING SET (0.50MM O/S)	3	AP
14	63D-11604-00-00	PISTON RING SET (0.25MM O/S)	3	AP
14	63D-11603-00-00	PISTON RING SET (STD)	3	
15	648-11633-00-00	PIN, PISTON	3	
16	93602-20M02-00	PIN, DOWEL	93	
17	6H4-11641-00-00	WASHER, PISTON PIN	6	
18	6H4-11634-01-00	CLIP, PISTON PIN	6	

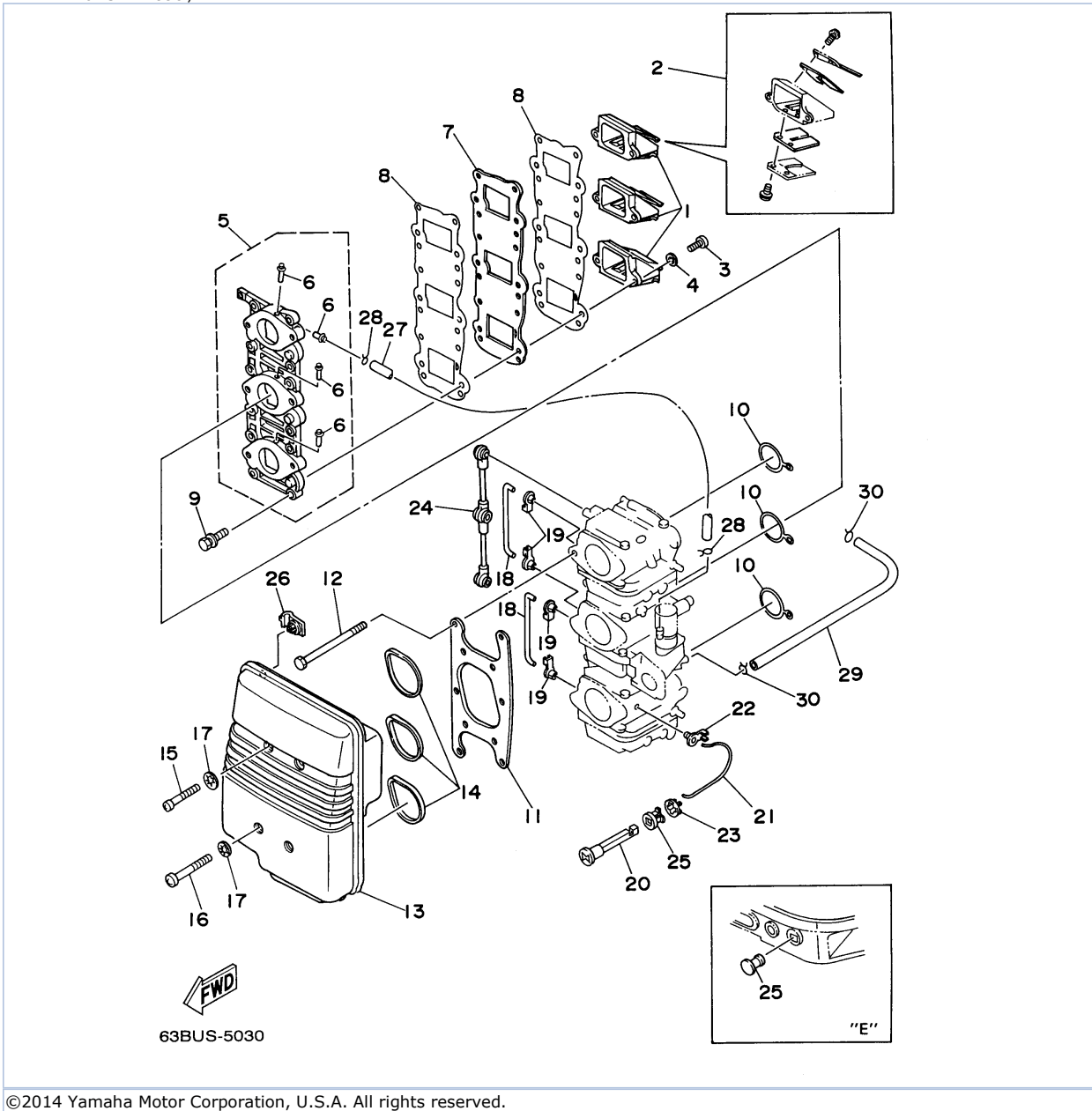
Part Notes

40MSHW 1998 / CRANKSHAFT PISTON

PART NUMBER	NOTE TEXT
93602-20M02-00 	OEM: This part number is among the Top 100 Most Popular Marine Maintenance Parts as of March 2014.

©2014 Yamaha Motor Corporation, U.S.A. All rights reserved.

40MSHW 1998 / INTAKE



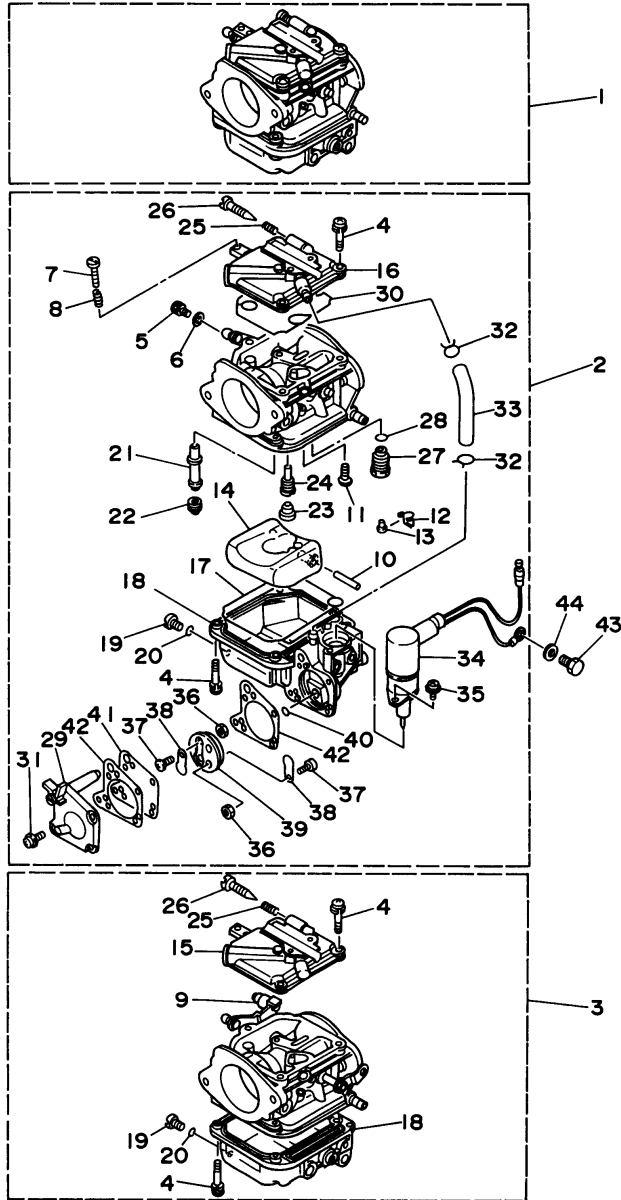
©2014 Yamaha Motor Corporation, U.S.A. All rights reserved.

Part List

40MSHW 1998 / INTAKE

REF - NO	PART NUMBER	PART NAME	QUANTITY	REMARKS
1	6H5-13610-00-00	REED VALVE ASSY	3	
2	6H4-W0004-00-00	.REED SET	1	
3	97880-05014-00	.SCREW, PAN HEAD	6	
4	92990-05600-00	WASHER, PLATE	6	
5	6H4-13641-12-94	MANIFOLD 1	1	UR E
5	6H4-13641-30-94	MANIFOLD 1	1	UR M
6	6H1-14485-00-00	.PIPE, JOINT	4	UR E
6	6H1-14485-00-00	.PIPE, JOINT	3	UR M
7	6H4-13624-01-94	PLATE, REED VALVE	1	
8	6H4-13621-A1-00	GASKET, VALVE SEAT	2	
9	97595-06520-00	BOLT, WITH WASHER	12	
10	6H4-14198-01-00	.GASKET	3	
11	6H4-14406-00-00	HINGE	1	
12	97095-06095-00	BOLT	6	
13	6H4-14431-02-00	SILENCER, INTAKE 1	1	UR E
13	6H4-14431-13-00	SILENCER, INTAKE 1	1	UR M
14	6H3-14457-01-00	SEAL	3	
15	97885-06040-00	SCREW, PAN HEAD	2	
16	97885-06055-00	SCREW, PAN HEAD	2	
17	90209-06M05-00	WASHER	4	
18	6H4-41257-00-00	ROD, CHOKE 2	2	M
19	661-41262-02-00	JOINT, CHOKE LEVER	4	M
20	6H4-41271-01-00	KNOB, CHOKE	1	M
21	6H4-41259-01-00	ROD, CHOKE 3	1	M
22	6J8-41262-00-00	JOINT, CHOKE LEVER	1	M
23	6J8-41274-00-00	GROMMET 2	1	M
24	6H4-41217-01-00	ROD, ACCEL. LEVER	1	
25	6G1-42748-00-00	GROMMET	1	UR E
25	689-41273-00-00	GROMMET	1	UR M
26	90464-06M19-00	CLAMP	1	M
27	90445-07MA5-00	HOSE (L150)	1	E
28	90467-06016-00	CLIP	2	E
29	6H3-14349-00-00	.PIPE	1	E
30	90467-08004-00	CLIP	2	E

40MSHW 1998 / CARBURETOR




63CJA-5040

©2014 Yamaha Motor Corporation, U.S.A. All rights reserved.

Part List



40MSHW 1998 / CARBURETOR

REF - NO	PART NUMBER	PART NAME	QUANTITY	REMARKS
1	63D-14301-00-00	CARBURETOR ASSY 1	1	UR 40-E
1	63B-14301-00-00	CARBURETOR ASSY 1	1	UR 40-M
1	62X-14301-00-00	CARBURETOR ASSY 1	1	UR 50
2	63B-14302-00-00	CARBURETOR ASSY 2	1	UR 40-M
2	62X-14302-00-00	CARBURETOR ASSY 2	1	UR 50
2	63D-14302-00-00	CARBURETOR ASSY 2	1	UR 40-E
3	62X-14303-00-00	CARBURETOR ASSY 3	1	UR 50
3	63D-14303-00-00	CARBURETOR ASSY 3	1	UR 40-E
3	63B-14303-00-00	CARBURETOR ASSY 3	1	UR 40-M
4	97980-04114-00	.SCREW, WITH WASHER	21	
5	6K5-14592-00-00	.SCREW	3	
6	90201-05652-00	.WASHER, PLATE	3	
7	63V-14523-00-00	.SCREW, STOP	1	
8	90501-10326-00	.SPRING, COMPRESSION	1	
9	6H2-14578-00-00	.COLLAR	1	
10	6H4-14548-00-00	.PIN, FLOAT ARM	3	
11	98580-04008-00	.SCREW, PAN HEAD	3	
12	663-14159-00-00	.CLIP	3	
13	676-14186-00-00	.PIN, FLOAT	3	
14	6H4-14985-01-00	.FLOAT	3	
15	6H4-14146-10-00	.PLATE	2	3
16	6H3-14146-10-00	.PLATE	1	UR #2-E
16	6H4-14146-00-00	.PLATE	1	UR #2-M
17	6H4-14984-00-00	.GASKET, FLOAT CHAMBER	3	
18	6H3-14980-10-00	.BODY, FLOAT CHAMBER	1	UR #2-E
18	6H4-14980-00-00	.BODY, FLOAT CHAMBER	2	3-E
18	6H4-14980-00-00	.BODY, FLOAT CHAMBER	3	UR M
19	6H3-14992-00-00	.SCREW, DRAIN	3	
20	93210-04230-00	.O-RING	3	
21	63D-14947-00-00	.JET, NEEDLE	3	UR 40
21	62X-14947-00-00	.JET, NEEDLE	3	UR50
22	63D-14943-81-00	.JET, MAIN (#118)	1	UR 40-#2
22	676-14943-30-00	.JET, MAIN (#115)	2	3
22	676-14943-33-00	.JET, MAIN (#130)	3	UR 50
23	676-14966-00-00	.CAP	3	
24	6H4-14948-11-00	.JET (#60)	3	UR 40
24	62X-14948-12-00	.JET (#62)	3	UR 50
25	679-14555-00-00	.SPRING	3	
26	692-14923-00-00	.SCREW, PILOT	3	
27	6H4-14590-00-00	.NEEDLE VALVE ASSY	3	
28	93210-04228-00	.O-RING	3	
29	6H3-24452-10-00	.COVER	1	E
30	6H4-14147-00-00	.O-RING	3	
31	6H4-14567-00-00	.SCREW	4	E
32	6H3-14137-00-00	.CLIP	2	E
33	6H3-14349-00-00	.PIPE	1	E
34	63D-14380-00-00	.PRIME STARTER ASSY	1	E
35	98580-04010-00	.SCREW, PAN HEAD	2	E
36	95380-03600-00	.NUT	2	E
37	98980-03006-00	.SCREW, BIND	2	E
38	6L5-24421-00-00	.VALVE, CHECK	2	E
39	6H4-24413-00-00	.BODY 2	1	E
40	6H4-24486-00-00	.O-RING	1	E
41	6H3-24411-10-00	.DIAPHRAGM	1	E

42	6H3-24434-10-00	.GASKET, BODY	2	E
43	97013-06012-00	BOLT	1	E
44	92990-06600-00	WASHER, PLATE	1	E

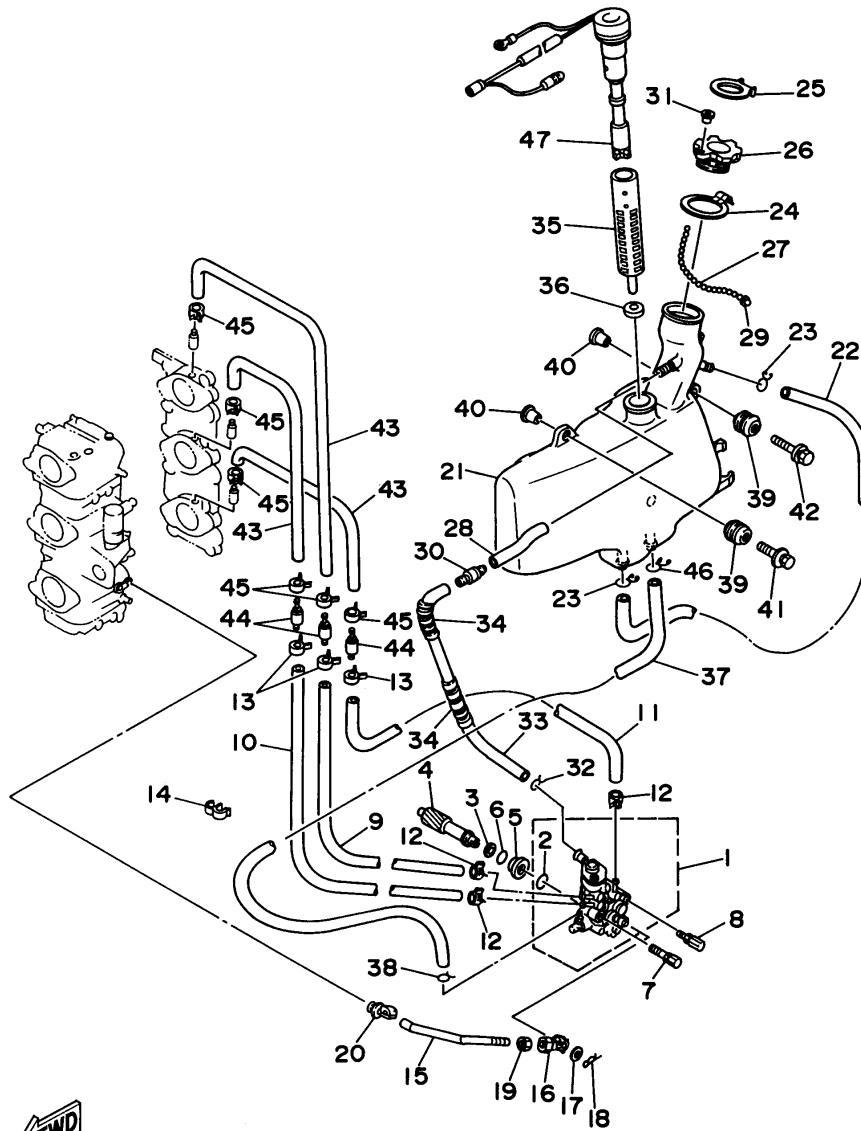
Part Notes

40MSHW 1998 / CARBURETOR

PART NUMBER	NOTE TEXT
63D-14380-00-00	 OEM: The O-Ring for sealing this part to the carburetor body is not shown separately. The Part Number for the O-Ring is 93210-17001-00.
92990-06600-00	 OEM: This part number is among the Top 100 Most Popular Marine Maintenance Parts as of March 2014.

©2014 Yamaha Motor Corporation, U.S.A. All rights reserved.

40MSHW 1998 / OIL PUMP 1 MANUAL START



63CJA-5050

©2014 Yamaha Motor Corporation, U.S.A. All rights reserved.


Part List

40MSHW 1998 / OIL PUMP 1 MANUAL START

REF - NO	PART NUMBER	PART NAME	QUANTITY	REMARKS
1	63D-13200-00-00	OIL INJECTION PUMP ASSY	1	
2	93210-19MA7-00	.O-RING	1	
3	90201-08M93-00	WASHER, PLATE	1	
4	6H4-11537-01-00	GEAR, DRIVEN	1	
5	6H1-13117-01-00	COLLAR, DISTANCE	1	
6	93210-13M04-00	O-RING	1	
7	90109-06M39-00	BOLT	1	
8	90109-06M40-00	BOLT	1	
9	90445-07M44-00	HOSE (L250)	1	
10	90445-07M23-00	HOSE (L408)	1	
11	90445-07MA6-00	HOSE (L90)	1	
12	90468-07M02-00	CLIP	3	
13	90468-07M02-00	CLIP	3	
14	90464-07M20-00	CLAMP	1	
15	6H4-41241-01-00	ROD, LINK	1	
16	6H1-41237-00-00	JOINT, LINK	1	
17	90202-05088-00	WASHER, PLATE	1	
18	90468-05M03-00	CLIP	1	
19	95380-05600-00	NUT	1	
20	6E9-41237-00-00	JOINT, LINK	1	
21	63D-21707-10-00	OIL TANK COMP.	1	
22	90445-11M15-00	HOSE (L360)	1	
23	90467-11M08-00	CLIP	2	
24	63D-2175R-00-00	HOOK, BAND	1	
25	63D-2176M-00-00	HOOK	1	
26	6H4-21770-00-00	OIL TANK CAP ASSY	1	
27	6H4-24633-00-00	CHAIN, BALL	1	
28	90445-11M23-00	HOSE (L85)	1	
29	6H4-21757-00-00	WASHER, SPECIAL 1	1	
30	63D-21744-00-00	BREATHER	1	
31	6H4-24634-00-00	HOOK, CHAIN BALL	1	
32	90467-10M04-00	CLIP	1	
33	90445-11M17-00	HOSE (L300)	1	
34	90446-10M01-00	HOSE (L60)	2	
35	6J8-13411-00-00	STRAINER, OIL	1	
36	6J8-13414-00-00	GASKET, STRAINER COVER	1	
37	6L2-13416-00-00	PIPE, OIL 1	1	
38	90467-08004-00	CLIP	1	
39	6A0-82317-00-00	DAMPER, IGNITION COIL	3	
40	624-42542-00-00	PIPE	3	
41	90119-06M65-00	BOLT, WITH WASHER	2	
42	90119-06M67-00	BOLT, WITH WASHER	1	
43	90445-07M87-00	HOSE (L110)	3	
44	6E9-13183-70-00	VALVE, CHECK	3	
45	90468-07M02-00	CLIP	6	
46	90467-11M08-00	CLIP	1	
47	63D-85720-10-00	OIL LEVEL GAUGE ASSY	1	

Part Notes

40MSHW 1998 / OIL PUMP 1 MANUAL START

PART NUMBER	NOTE TEXT
6H1-41237-00-00	 OEM: This part number is among the Top 100 Most Popular Marine Maintenance Parts as of March 2014.

©2014 Yamaha Motor Corporation, U.S.A. All rights reserved.

Part List

40MSHW 1998 / OIL PUMP 2 ELECTRIC START

REF - NO	PART NUMBER	PART NAME	QUANTITY	REMARKS
1	63D-13200-00-00	OIL INJECTION PUMP ASSY	1	
2	93210-19MA7-00	.O-RING	1	
3	90201-08M93-00	WASHER, PLATE	1	
4	6H4-11537-01-00	GEAR, DRIVEN	1	
5	6H1-13117-01-00	COLLAR, DISTANCE	1	
6	93210-13M04-00	O-RING	1	
7	90109-06M39-00	BOLT	1	
8	90109-06M40-00	BOLT	1	
9	90445-07M44-00	HOSE (L250)	1	
10	90445-07M23-00	HOSE (L408)	1	
11	90445-07MA6-00	HOSE (L90)	1	
12	90468-07M02-00	CLIP	3	
13	90468-07M02-00	CLIP	3	
14	90464-07M20-00	CLAMP	1	
15	6H4-41241-01-00	ROD, LINK	1	
16	6H1-41237-00-00	JOINT, LINK	1	
17	90202-05088-00	WASHER, PLATE	1	
18	90468-05M03-00	CLIP	1	
19	95380-05600-00	NUT	1	
20	6E9-41237-00-00	JOINT, LINK	1	
21	63D-21707-00-00	OIL TANK COMP.	1	
22	90445-11M15-00	HOSE (L360)	1	
23	90467-11M08-00	CLIP	2	
24	6H4-21752-00-00	TUBE, FILLER 1	1	
25	90465-13M30-00	CLAMP	1	
26	63D-2175R-00-00	HOOK, BAND	1	
27	63D-2176M-00-00	HOOK	1	
28	6H4-21770-00-00	OIL TANK CAP ASSY	1	
29	6H5-24633-00-00	CHAIN, BALL	1	
30	6J8-21758-00-00	WASHER, SPECIAL 2	1	
31	6H1-21757-00-00	WASHER, SPECIAL 1	2	
32	90445-11M23-00	HOSE (L85)	1	
33	63D-21744-00-00	BREATHER	1	
34	90467-10M04-00	CLIP	1	
35	90445-11M17-00	HOSE (L300)	1	
36	90446-10M01-00	HOSE (L60)	2	
37	6J8-13411-00-00	STRAINER, OIL	1	
38	6J8-13414-00-00	GASKET, STRAINER COVER	1	
39	6L2-13416-00-00	PIPE, OIL 1	1	
40	90467-08004-00	CLIP	1	
41	6A0-82317-00-00	DAMPER, IGNITION COIL	3	
42	624-42542-00-00	PIPE	3	
43	90119-06M65-00	BOLT, WITH WASHER	2	
44	90119-06M67-00	BOLT, WITH WASHER	1	
45	90445-07M87-00	HOSE (L110)	3	
46	6E9-13183-70-00	VALVE, CHECK	3	
47	90468-07M02-00	CLIP	6	
48	90467-11M08-00	CLIP	1	
49	63D-85720-00-00	OIL LEVEL GAUGE ASSY	1	

Part Notes

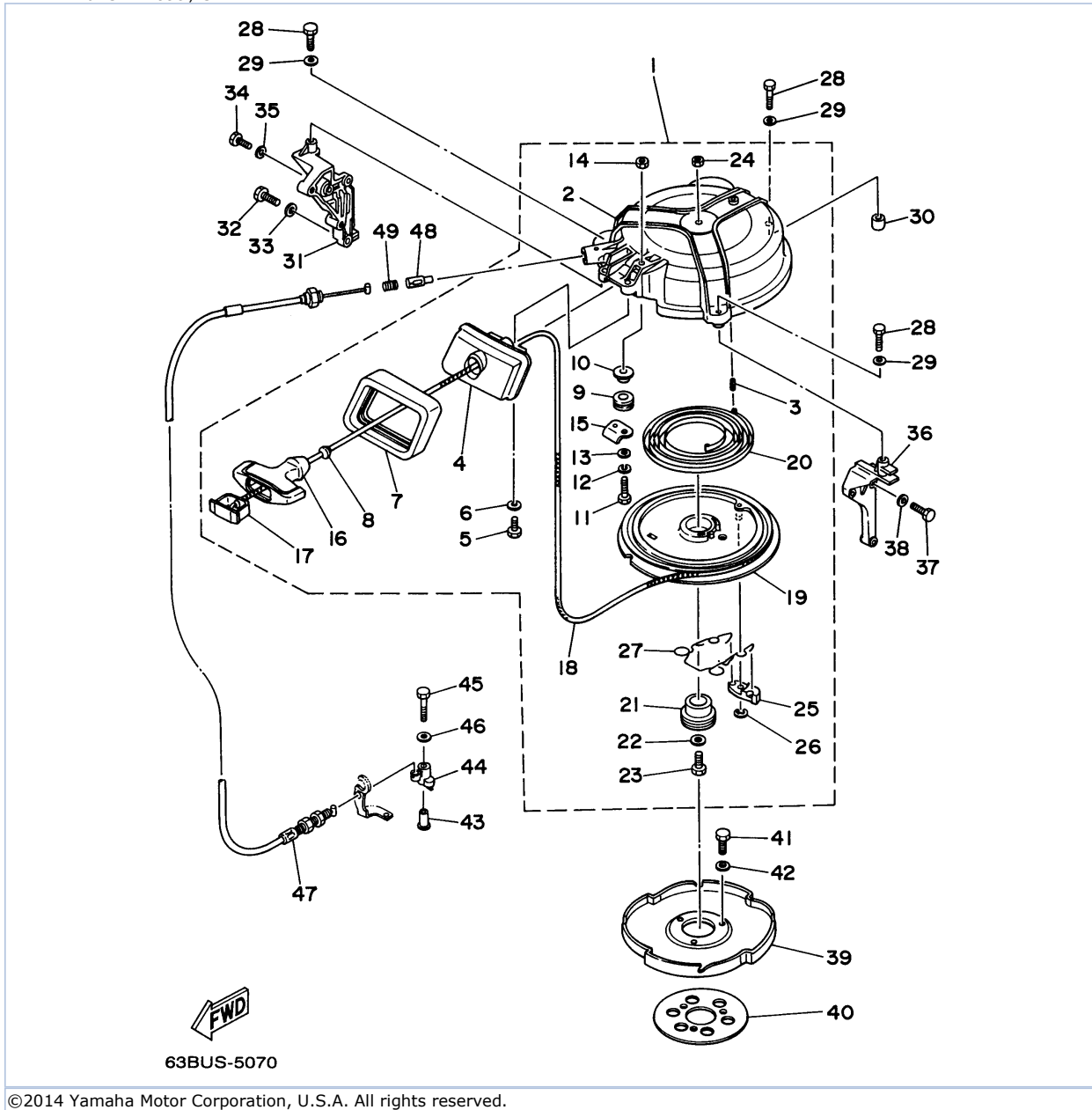
40MSHW 1998 / OIL PUMP 2 ELECTRIC START

PART NUMBER	NOTE TEXT
6H1-41237-00-00	OEM: This part number is among the Top 100 Most Popular Marine Maintenance Parts as of March 2014.



©2014 Yamaha Motor Corporation, U.S.A. All rights reserved.

40MSHW 1998 / STARTER



©2014 Yamaha Motor Corporation, U.S.A. All rights reserved.

Part List

40MSHW 1998 / STARTER

REF - NO	PART NUMBER	PART NAME	QUANTITY	REMARKS
1	6H4-15710-04-4D	STARTER ASSY	1	
2	6H4-15711-02-94	.CASE, STARTER	1	
3	91690-40018-00	.PIN, SPRING	1	
4	6H4-15758-01-4D	.GUIDE, ROPE	1	
5	97095-06016-00	.BOLT	2	
6	92990-06600-00	.WASHER, PLATE	2	
7	6H4-15762-00-00	.SEAL, RUBBER 2	1	
8	6A0-15789-00-00	.DAMPER	1	
9	6F5-15752-00-00	.ROLLER, WIRE	1	
10	90387-06M69-00	.COLLAR	1	
11	97095-06030-00	.BOLT	1	
12	92995-06100-00	.WASHER, SPRING	1	
13	92990-06600-00	.WASHER, PLATE	1	
14	95380-06600-00	.NUT, HEXAGON	1	
15	6H4-15787-01-00	.STAY	1	
16	689-15755-01-00	.HANDLE, STARTER	1	
17	6F5-15779-02-00	.COVER	1	
18	90580-50M01-00	ROPE, STARTER	1	
19	6H4-15714-00-00	.DRUM, SHEAVE	1	
20	90510-08002-00	.SPRING, SPIRAL	1	
21	6H4-15717-01-00	.SHAFT, STARTER	1	
22	90201-065F3-00	.WASHER, PLATE	1	
23	97095-06020-00	.BOLT	1	
24	95380-06600-00	.NUT, HEXAGON	1	
25	676-15741-03-00	.PAWL, DRIVE	1	
26	93430-06M02-00	.CIRCLIP	1	
27	6H4-15705-00-00	.SPRING, DRIVE PAWL	1	
28	97095-06035-00	BOLT	3	
29	92990-06600-00	WASHER, PLATE	3	
30	99530-10014-00	PIN, DOWEL	1	
31	63D-15771-00-4D	STAY 1	1	
32	97013-08025-00	BOLT	2	
33	92990-08600-00	.WASHER, PLATE	2	
34	97095-06020-00	BOLT	1	
35	92990-06600-00	WASHER, PLATE	1	
36	6H4-15772-02-94	STAY 2	1	
37	97095-06025-00	BOLT	3	
38	92990-06600-00	WASHER, PLATE	3	
39	6H4-15723-01-94	PULLEY, STARTER	1	
40	6J8-81365-A0-00	GASKET, HOLE COVER	1	
41	97013-08020-00	BOLT	3	
42	92903-08600-00	WASHER, PLATE	3	
43	90387-06M66-00	COLLAR	1	
44	63D-15746-00-00	ARM	1	
45	97095-06040-00	.BOLT	1	
46	92990-06600-00	WASHER, PLATE	1	
47	63D-15770-00-00	CABLE COMP., STARTER STOP	1	
48	656-15748-00-00	PLUNGER, STARTER STOP	1	
49	90501-10227-00	SPRING, COMPRESSION	1	

Part Notes

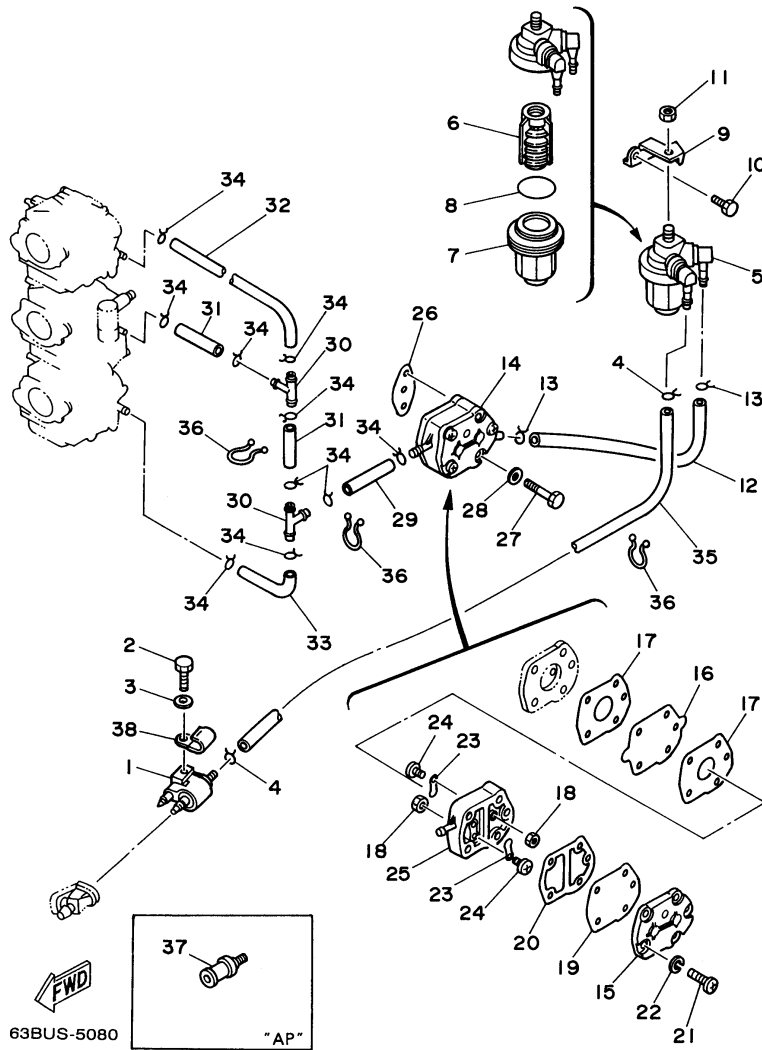
40MSHW 1998 / STARTER

PART NUMBER	NOTE TEXT
-------------	-----------

92990-06600-00		OEM: This part number is among the Top 100 Most Popular Marine Maintenance Parts as of March 2014.
92990-06600-00		OEM: This part number is among the Top 100 Most Popular Marine Maintenance Parts as of March 2014.
92990-06600-00		OEM: This part number is among the Top 100 Most Popular Marine Maintenance Parts as of March 2014.
92990-06600-00		OEM: This part number is among the Top 100 Most Popular Marine Maintenance Parts as of March 2014.
92990-06600-00		OEM: This part number is among the Top 100 Most Popular Marine Maintenance Parts as of March 2014.
92990-06600-00		OEM: This part number is among the Top 100 Most Popular Marine Maintenance Parts as of March 2014.

©2014 Yamaha Motor Corporation, U.S.A. All rights reserved.

40MSHW 1998 / FUEL



©2014 Yamaha Motor Corporation, U.S.A. All rights reserved.



Part List

40MSHW 1998 / FUEL

REF - NO	PART NUMBER	PART NAME	QUANTITY	REMARKS
1	6G1-24304-02-00	FUEL PIPE JOINT COMP. 1	1	
2	97095-06025-00	BOLT	1	
3	92995-06600-00	WASHER	1	
4	90467-08004-00	CLIP	2	
5	61N-24560-00-00	FILTER ASSY	1	
6	61N-24563-00-00	.ELEMENT, FILTER	1	
7	61N-24521-00-00	.CUP, FILTER	1	
8	93210-32738-00	.O-RING	1	
9	6H4-24566-01-00	BRACKET, FILTER	1	
10	97013-06014-00	BOLT	1	
11	95380-08600-00	NUT	1	
12	6H4-24314-00-00	PIPE 4	1	
13	90467-08004-00	CLIP	2	
14	692-24410-00-00	FUEL PUMP ASSY	1	
15	6A0-24413-00-00	.BODY 2	1	
16	692-24411-00-00	.DIAPHRAGM	1	
17	648-24434-01-00	.GASKET, BODY	2	
18	95380-03600-00	.NUT	2	
19	663-24411-00-00	.DIAPHRAGM	1	
20	648-24435-02-00	.GASKET, BODY 2	1	
21	98503-05028-00	.SCREW, PAN HEAD	3	
22	92990-05100-00	.WASHER, SPRING	3	
23	6A0-24421-01-00	.VALVE, CHECK	2	
24	6A0-14325-00-00	.SCREW, PAN HEAD	2	
25	6A0-24412-02-00	.BODY 1	1	
26	650-24431-A0-00	GASKET, FUEL PUMP 1	1	
27	97095-06040-00	.BOLT	2	
28	92995-06600-00	WASHER	2	
29	90445-09063-00	HOSE (L80)	1	
30	688-24378-00-00	PIPE, JOINT 3	2	
31	90445-09057-00	HOSE (L43)	2	
32	6H4-24313-00-00	PIPE 3	1	
33	6H4-24312-00-00	PIPE 2	1	
34	90467-08004-00	CLIP	10	
35	6H4-24311-00-00	PIPE, FUEL 1	1	
36	90464-15M11-00	CLAMP	3	
37	6E0-28193-00-94	PLUG, WATER CHECK	1	AP D:12.5
38	90465-08M07-00	CLAMP	1	UR

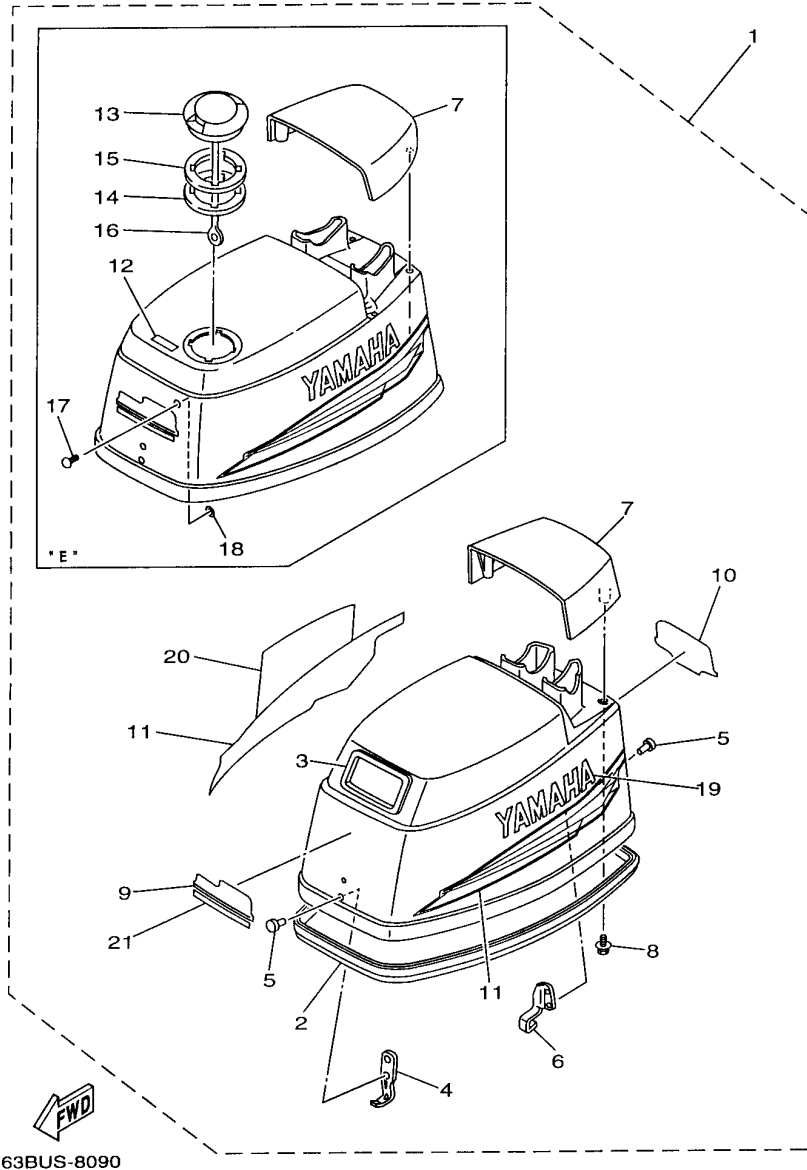
Part Notes

40MSHW 1998 / FUEL

PART NUMBER	NOTE TEXT
692-24410-00-00 	OEM: This part number is among the Top 100 Most Popular Marine Maintenance Parts as of March 2014.
650-24431-A0-00 	OEM: This part number is among the Top 100 Most Popular Marine Maintenance Parts as of March 2014.

©2014 Yamaha Motor Corporation, U.S.A. All rights reserved.

40MSHW 1998 / TOP COWLING



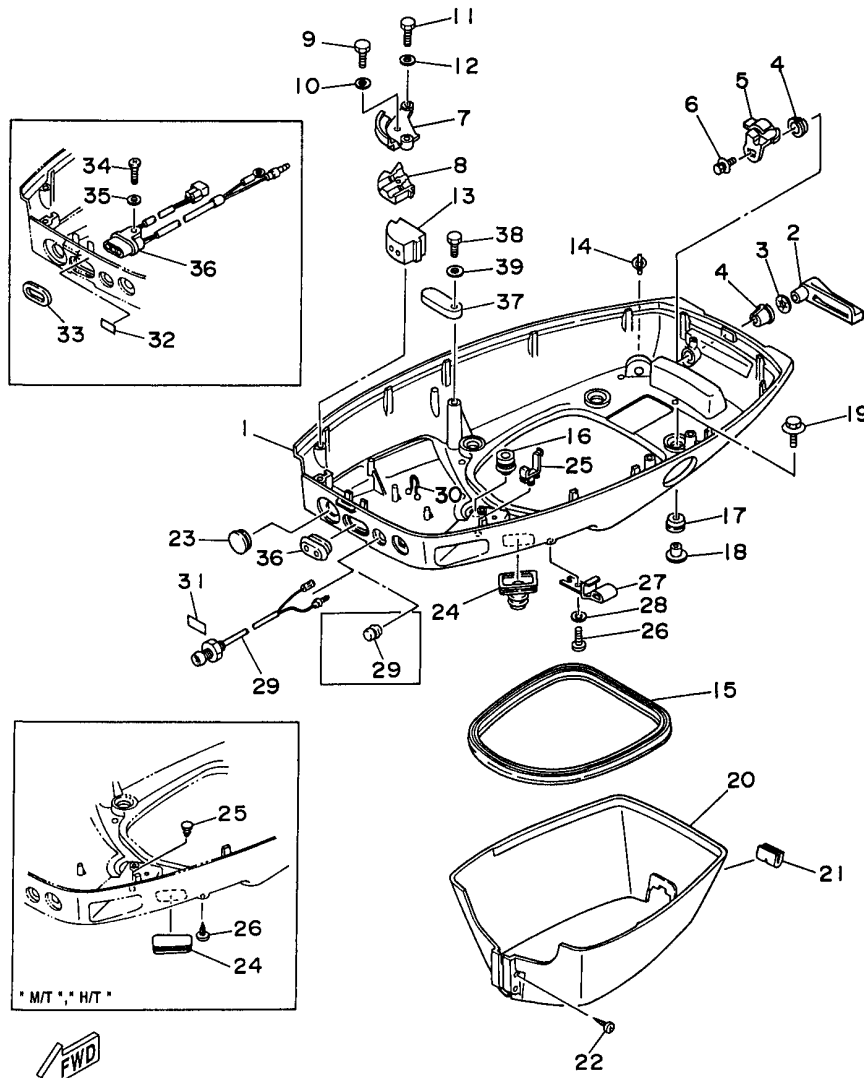
©2014 Yamaha Motor Corporation, U.S.A. All rights reserved.

Part List

40MSHW 1998 / TOP COWLING

REF - NO	PART NUMBER	PART NAME	QUANTITY	REMARKS
1	63B-42610-20-4D	TOP COWLING ASSY	1	UR 40MH
1	63D-42610-40-4D	TOP COWLING ASSY	1	UR 40ER/TR
1	63D-42610-R0-4D	TOP COWLING ASSY	1	
1	63D-42610-N0-4D	TOP COWLING ASSEMBLY	1	UR P40TH
2	6H4-42615-00-00	.SEAL	1	
3	6H4-15761-00-00	.SEAL, RUBBER 1	1	40M(J)H
4	6H4-42651-00-00	.HOOK	1	
5	90266-04M01-00	.RIVET	4	
6	6H4-42652-00-00	.HOOK	1	
7	6H4-42613-01-4D	.MOLDING, AIR DUCT	1	UR 40M(J)H
7	6H4-42613-11-4D	.MOLDING, AIR DUCT	1	UR
8	90119-06M99-00	.BOLT, WITH WASHER	4	
9	63D-42677-N0-00	.GRAPHIC, FRONT	1	UR P40TH
9	63D-42677-P1-00	.GRAPHIC, FRONT	1	
9	63D-42677-11-00	.GRAPHIC, FRONT	1	UR 40MH/ ER/TR
10	63D-42678-N0-00	.GRAPHIC, REAR	1	UR P40TH
10	63D-42678-P1-00	GRAPHIC, REAR	1	
10	63D-42678-11-00	.GRAPHIC, REAR	1	UR 40MH/ ER/TR
11	63D-W0070-N0-00	.GRAPHIC SET	1	UR P40TH
11	63D-W0070-10-00	.GRAPHIC SET	1	UR
12	63D-13436-40-00	.MARK	1	
12	63D-13436-00-00	.MARK	1	UR P40TH
13	63D-2177H-00-00	.DISK CAP 2	1	E
14	6H3-21732-00-00	.SEAL 1	1	E
15	6H3-21735-00-00	.SEAL 2	1	E
16	6H1-42694-00-00	.BAND	1	E
17	90338-05M03-00	.PLUG	1	E
18	90183-05M06-00	.NUT, SPRING	1	E
19	63D-42681-10-00	.MARK, COWLING	1	EXCEPT
20	63D-42682-10-00	.MARK, COWLING	1	EXCEPT P40TH
21	63D-42683-20-00	.MARK, COWLING	1	EXCEPT

40MSHW 1998 / BOTTOM COWLING



* M/T * H/T *

FWD
63BUS-5101

©2014 Yamaha Motor Corporation, U.S.A. All rights reserved.

Part List




40MSHW 1998 / BOTTOM COWLING

REF - NO	PART NUMBER	PART NAME	QUANTITY	REMARKS
1	6H4-42711-07-4D	COWLING, BOTTOM	1	UR
1	6H4-42711-25-4D	COWLING, BOTTOM 1	1	UR PTT
2	6H4-42815-00-00	LEVER, CLAMP	1	
3	90206-12052-00	WASHER, WAVE	1	
4	90386-12069-00	BUSH	2	
5	6H4-42816-00-00	LEVER, CLAMP	1	
6	90119-06M73-00	BOLT, WITH WASHER	1	
7	6H4-48531-11-94	BRACKET, REMOTE CONTROL 1	1	
8	6H4-48532-11-94	BRACKET, REMOTE CONTROL 2	1	
9	97095-05016-00	.BOLT	1	
10	92995-05600-00	WASHER	1	
11	97095-06020-00	BOLT	2	
12	92995-06600-00	WASHER	2	
13	6H4-42724-20-00	GROMMET	1	UR
13	6H4-42724-00-00	GROMMET	1	UR M
14	6E5-44391-00-00	NIPPLE, HOSE	1	
15	6H4-42716-00-00	RUBBER, SEAL 1	1	
16	6E5-42724-00-00	GROMMET	1	
17	90480-09M21-00	GROMMET	4	
18	90387-06M41-00	COLLAR	4	
19	90119-06M61-00	BOLT, WITH WASHER	4	
20	63D-42741-00-4D	APRON	1	
21	63D-42717-00-00	RUBBER, SEAL 2	1	
22	97780-60525-00	SCREW, TAPPING	2	
23	676-42726-00-00	GROMMET	1	UR
23	6H4-42726-40-00	GROMMET	1	UR M
24	6H4-42726-00-00	GROMMET	1	UR M/T
24	688-42726-10-00	GROMMET	1	UR PTT
25	90464-09M13-00	CLAMP	1	UR PTT
25	703-82119-00-00	COVER, LEAD WIRE	1	UR M/T
26	90338-05M03-00	PLUG	1	UR M/T
26	90157-06M01-00	SCREW, PAN HEAD	1	UR PTT
27	6E5-24367-01-00	CLAMP, FUEL PIPE 2	1	PTT
28	92990-06600-00	WASHER, PLATE	1	PTT
29	6J8-85410-00-00	EMERGENCY SIGNAL LIGHT ASSY	1	UR
29	6H4-42725-00-00	GROMMET	1	UR
30	90465-08M07-00	CLAMP	1	UR
31	6H4-85415-10-00	MARK, SIGNAL LAMP	1	UR
32	63D-84342-00-00	SEAT, EMBLEM	1	UR
33	6H4-83589-00-00	GASKET	1	UR
34	97880-06014-00	SCREW, PAN HEAD	1	UR
35	92990-06600-00	WASHER, PLATE	1	UR
36	63D-84301-00-00	PILOT LIGHT ASSY 1	1	UR
36	6H3-42727-00-00	GROMMET	1	UR
37	6E5-82588-00-00	PLATE	1	
38	97095-06020-00	BOLT	1	
39	92990-06600-00	WASHER, PLATE	1	

Part Notes

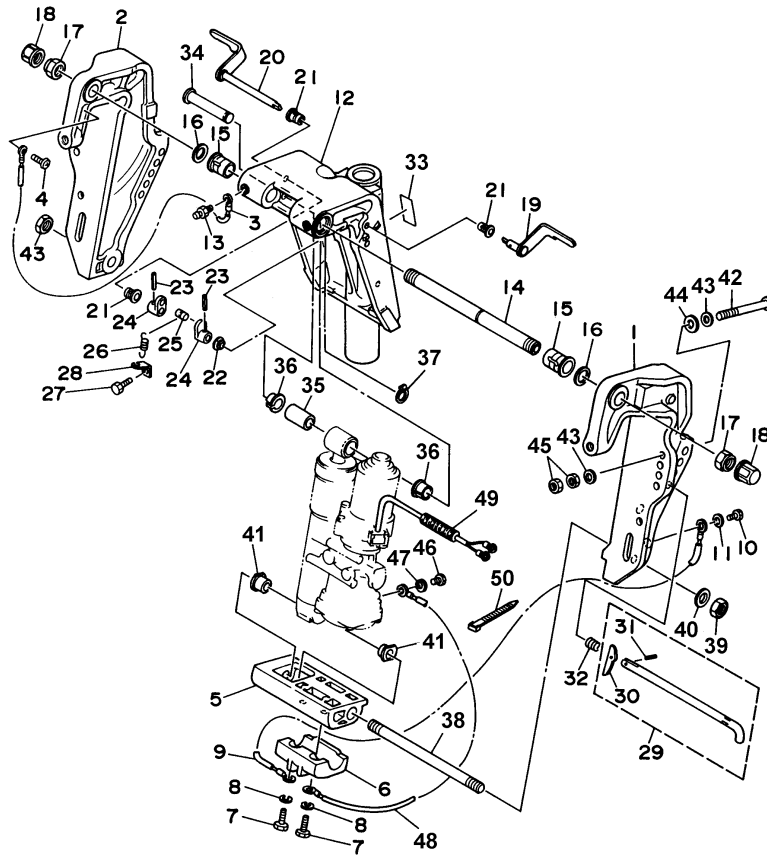
40MSHW 1998 / BOTTOM COWLING

PART NUMBER	NOTE TEXT
92990-06600-00	OEM: This part number is among the Top 100 Most Popular Marine Maintenance Parts as of March 2014.

		
92990-06600-00		OEM: This part number is among the Top 100 Most Popular Marine Maintenance Parts as of March 2014.
92990-06600-00		OEM: This part number is among the Top 100 Most Popular Marine Maintenance Parts as of March 2014.

©2014 Yamaha Motor Corporation, U.S.A. All rights reserved.

40MSHW 1998 / BRACKET 1 POWER TRIM TILT




63CJA-5110

©2014 Yamaha Motor Corporation, U.S.A. All rights reserved.


Part List

40MSHW 1998 / BRACKET 1 POWER TRIM TILT

REF - NO	PART NUMBER	PART NAME	QUANTITY	REMARKS
1	63D-43111-00-4D	BRACKET, CLAMP	1	
2	63D-43112-00-4D	BRACKET, CLAMP	1	
3	63D-82148-00-00	WIRE, LEAD 4	1	
4	97885-06008-00	SCREW, PAN HEAD	1	
5	63D-43128-01-4D	SPACER, CLAMP BRACKET	1	
6	63D-45251-00-00	ANODE	1	
7	97095-06025-00	BOLT	2	
8	92995-06100-00	WASHER, SPRING	2	
9	6H1-82148-00-00	WIRE, LEAD 4	1	
10	97095-06010-00	BOLT	1	
11	92995-06600-00	WASHER	1	
12	63D-43311-10-4D	BRACKET, SWIVEL	1	UR LONG
12	63D-43311-00-4D	BRACKET, SWIVEL	1	UR SHORT
13	93700-06M03-00	NIPPLE, GREASE	3	
14	63D-43131-00-00	BOLT, CLAMP BRACKET	1	
15	90386-22M15-00	BUSH	2	
16	90201-22M03-00	WASHER, PLATE	2	
17	90185-22M11-00	NUT, SELF-LOCKING	2	
18	6G5-43145-00-00	CAP, CLAMP BRACKET	2	
19	6H5-43181-03-00	LEVER, TILT STOP	1	
20	6H5-43185-03-00	LEVER, TILT STOP	1	
21	90386-10M16-00	BUSH	3	
22	90386-10025-00	.BUSH	1	
23	91690-30020-00	PIN, SPRING	2	
24	6G5-43148-00-00	COLLAR, DISTANCE	2	
25	90249-06M19-00	PIN	1	
26	90506-14M24-00	SPRING, TENSION	1	
27	97095-06010-00	BOLT	1	
28	6G5-43144-00-00	HOOK, SPRING	1	
29	688-43160-01-00	TILT ROD ASSY	1	
30	688-43165-00-00	.PLATE, TILT LOCK	1	
31	91690-30012-00	.PIN, SPRING	1	
32	90502-16M02-00	SPRING, CONICAL	1	
33	63D-43691-00-00	INDICATOR, TILT	1	
34	6E5-43126-02-00	PIN, UPPER SHOCK MOUNT	1	
35	90386-18M92-00	BUSH	1	
36	90386-18M35-00	BUSH	2	
37	93410-18M02-00	CIRCLIP	1	
38	90116-18M52-00	BOLT, STUD	1	
39	90170-18M10-00	NUT	2	
40	92995-18600-00	WASHER	1	
41	90386-18M44-00	BUSH	2	
42	90101-12M65-00	BOLT	4	AP
43	92995-12200-00	WASHER	8	AP
44	90201-12426-00	WASHER, PLATE	4	AP
45	95380-12600-00	NUT	8	AP
46	97095-06010-00	BOLT	1	PTT
47	92990-06600-00	WASHER, PLATE	1	PTT
48	6H1-82148-00-00	WIRE, LEAD 4	1	PTT
49	90440-14M00-00	PIPE	1	PTT
50	90465-11M10-00	CLAMP	3	PTT

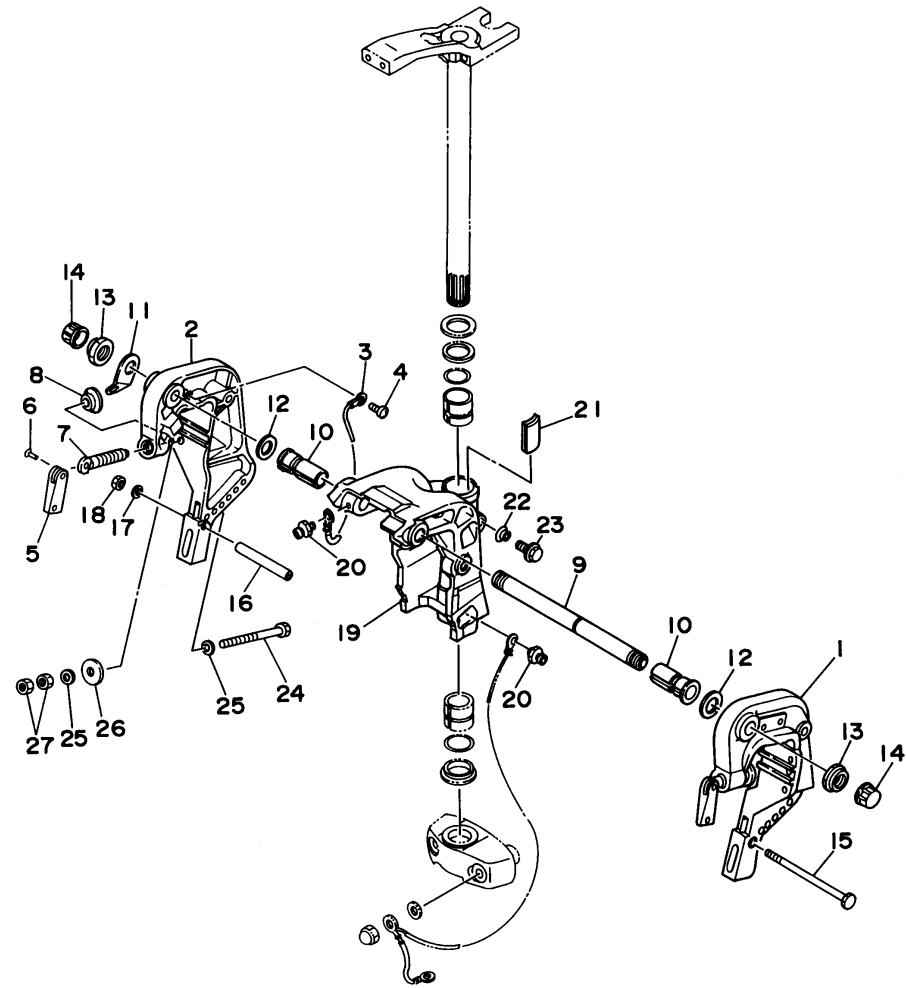
Part Notes

40MSHW 1998 / BRACKET 1 POWER TRIM TILT

PART NUMBER		NOTE TEXT
92990-06600-00		OEM: This part number is among the Top 100 Most Popular Marine Maintenance Parts as of March 2014.

©2014 Yamaha Motor Corporation, U.S.A. All rights reserved.

40MSHW 1998 / BRACKET 2 MANUAL TILT



63CJA-5120

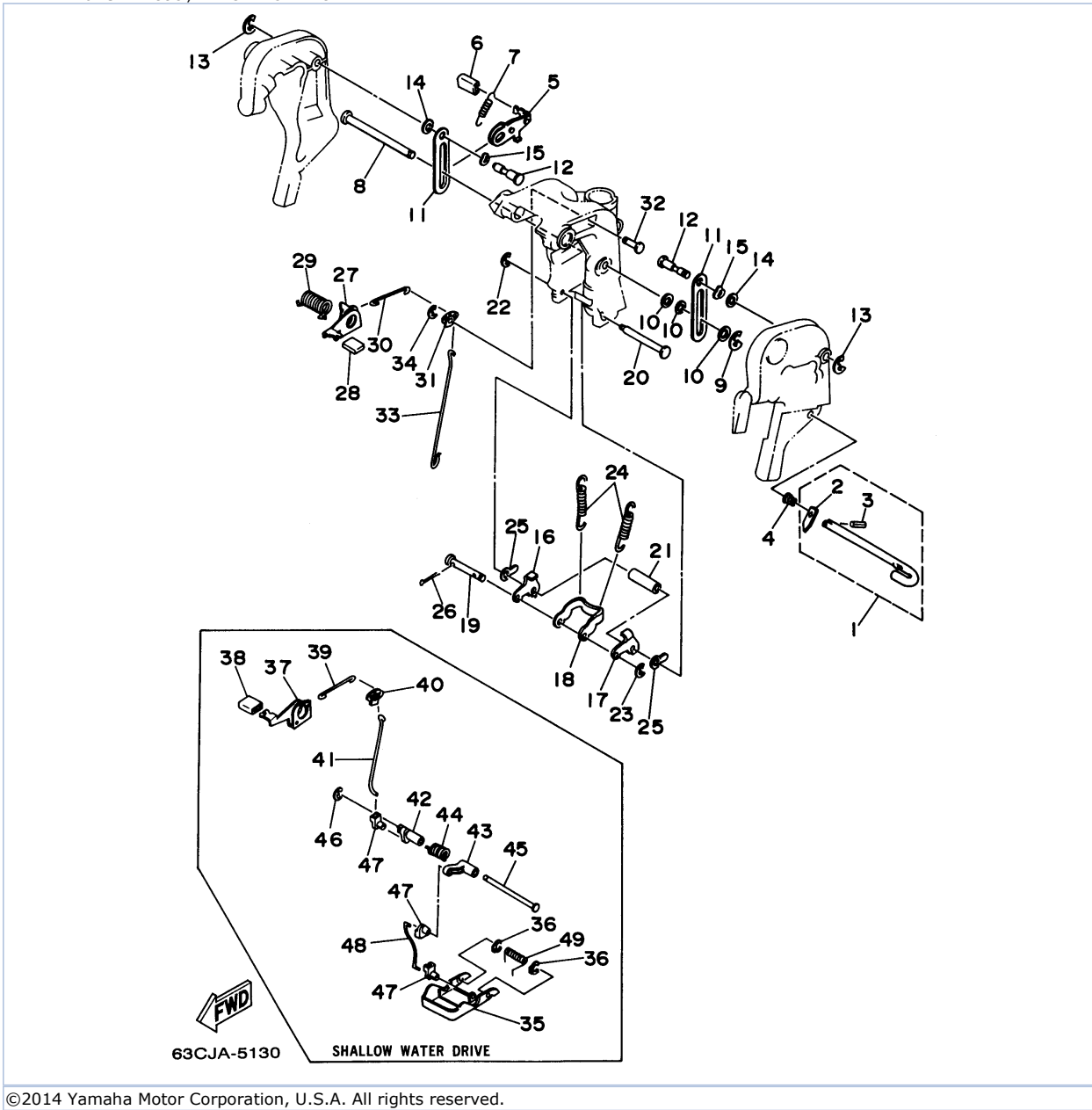
©2014 Yamaha Motor Corporation, U.S.A. All rights reserved.

Part List

40MSHW 1998 / BRACKET 2 MANUAL TILT

REF - NO	PART NUMBER	PART NAME	QUANTITY	REMARKS
1	6H4-43111-05-4D	BRACKET, CLAMP	1	
2	6H4-43112-04-4D	BRACKET, CLAMP	1	
3	6E5-82148-00-00	WIRE, LEAD 4	1	
4	97885-06008-00	SCREW, PAN HEAD	1	
5	6E0-43118-01-00	HANDLE, TRANSOM CLAMP	2	
6	90243-04M01-00	PIN	2	
7	90149-14M12-00	SCREW	2	
8	648-43114-01-00	PAD, TRANSOM CLAMP	2	
9	63D-43131-00-00	BOLT, CLAMP BRACKET	1	
10	90386-22M69-00	BUSH	2	
11	6J8-43113-01-00	PLATE, CLAMP BRACKET	1	
12	90201-22M03-00	WASHER, PLATE	2	
13	90185-22M11-00	NUT, SELF-LOCKING	2	
14	6G5-43145-00-00	CAP, CLAMP BRACKET	2	
15	90101-08339-00	BOLT	1	
16	90387-08M03-00	COLLAR	1	
17	92990-08600-00	..WASHER, PLATE	1	
18	95380-08600-00	NUT	1	
19	6J8-43311-04-4D	BRACKET, SWIVEL 1	1	UR SHORT
19	6J8-43311-10-4D	BRACKET, SWIVEL 1	1	UR LONG
20	93700-06M03-00	NIPPLE, GREASE	3	
21	6J8-42528-00-00	PLATE, FRICTION	1	
22	689-43373-01-00	SEAL, DAMPER	1	
23	90105-06M18-00	BOLT, FLANGE	1	
24	90101-10M58-00	BOLT	4	AP
25	92995-10600-00	WASHER	8	AP
26	90201-12426-00	WASHER, PLATE	4	AP
27	95380-10600-00	NUT	8	AP

40MSHW 1998 / BRACKET 3 MANUAL TILT



Part List

40MSHW 1998 / BRACKET 3 MANUAL TILT

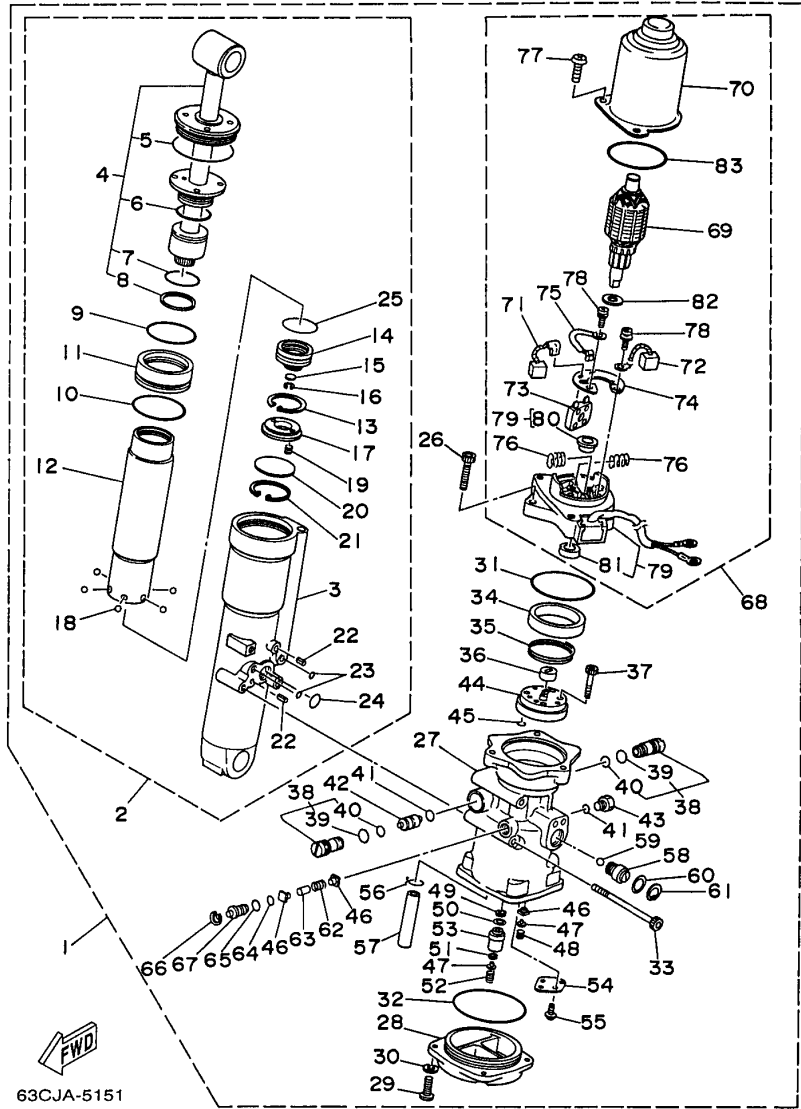
REF - NO	PART NUMBER	PART NAME	QUANTITY	REMARKS
1	6H4-43160-01-00	TILT ROD ASSY	1	
2	676-43165-00-00	.PLATE, TILT LOCK	1	
3	91690-30010-00	.PIN, SPRING	1	
4	90502-10M04-00	SPRING, CONICAL	1	
5	6J8-43181-01-00	LEVER, TILT STOP	1	
6	682-43318-01-00	COVER	1	
7	90506-12M25-00	SPRING, TENSION	1	
8	90249-12M28-00	PIN	1	
9	93430-10M00-00	CIRCLIP	1	
10	90202-12031-00	WASHER, PLATE	3	UR LONG
10	90202-12031-00	WASHER, PLATE	2	UR SHORT
11	6J8-43627-00-00	STOPPER	2	
12	90249-12M27-00	PIN	2	
13	93430-10M00-00	CIRCLIP	2	
14	90202-12031-00	WASHER, PLATE	2	
15	90206-12M16-00	WASHER, WAVE	2	
16	6J8-43614-00-00	PLATE, TILT LOCK	1	
17	6J8-43615-00-00	PLATE, TILT LOCK	1	
18	6J8-43613-01-00	ARM, TILT LOCK	1	
19	6H4-43659-00-00	SHAFT, REVERSE LOCK	1	
20	6J8-43611-01-00	SHAFT, TILT LOCK	1	
21	90387-07M64-00	COLLAR	1	
22	93430-06M02-00	.CIRCLIP	1	
23	93430-05027-00	CIRCLIP	1	
24	90506-32M22-00	SPRING, TENSION	2	
25	6H4-43674-00-00	WASHER	2	WITHOUT SHALLOW WATER DRIVE
26	91490-20010-00	PIN. COTTER	2	
27	6J8-43631-00-00	LEVER, TILT	1	
28	6J8-43633-00-00	COVER, TILT LEVER	1	
29	90508-18M24-00	SPRING, TORSION	1	UR
29	90508-18M23-00	SPRING, TORSION	1	UR FOR SHALLOW WATER
30	6H4-43616-00-00	ROD, TILT LOCK	1	
31	6J8-43641-00-00	LEVER, TILT	1	
32	90249-06M23-00	PIN	1	UR
32	90249-06M24-00	PIN	1	UR FOR SHALLOW WATER DRIVE
33	6J8-43617-00-00	ROD, TILT LOCK	1	
34	93430-05027-00	CIRCLIP	1	
35	6J8-43681-01-00	LEVER, SHALLOW WATER DRIVE 1	1	SHALLOW WATER DRIVE 11WATER DRIVE
36	6J8-43673-00-00	WASHER 1	2	SHALLOW WATER DRIVE
37	6J8-43631-10-00	LEVER, TILT	1	SHALLOW WATER DRIVE
38	6J8-43633-00-00	COVER, TILT LEVER	1	SHALLOW WATER DRIVE
39	6H4-43616-00-00	ROD, TILT LOCK	1	SHALLOW WATER DRIVE
40	6J8-43641-00-00	LEVER, TILT	1	SHALLOW WATER DRIVE
41	6J8-43617-10-00	ROD, TILT LOCK	1	SHALLOW WATER DRIVE
42	6J8-43186-00-00	LEVER	1	SHALLOW WATER DRIVE
43	6J8-43187-00-00	LEVER 2	1	SHALLOW WATER DRIVE
44	90508-25M21-00	SPRING, TORSION	1	SHALLOW WATER DRIVE
45	90249-07M25-00	PIN	1	SHALLOW WATER DRIVE
46	93430-05027-00	CIRCLIP	1	SHALLOW WATER DRIVE
47	6J8-41262-00-00	JOINT, CHOKE LEVER	3	SHALLOW WATER DRIVE
48	6J8-43616-10-00	ROD, TILT LOCK	1	SHALLOW WATER DRIVE
49	90508-20M22-00	SPRING, TORSION	1	SHALLOW WATER DRIVE

Part List

40MSHW 1998 / BRACKET 4

REF - NO	PART NUMBER	PART NAME	QUANTITY	REMARKS
1	63D-42510-10-4D	STEERING BRACKET ASSEMBLY	1	UR LONG
1	63D-42510-00-4D	STEERING BRACKET ASSEMBLY	1	UR SHORT
2	90201-30M00-00	WASHER, PLATE	1	
3	90386-30M78-00	BUSH	1	
4	90386-30M77-00	BUSH	2	
5	93210-29M94-00	O-RING	2	
6	90386-30M60-00	BUSH	1	
7	90116-10175-00	BOLT, STUD	2	
8	90185-10051-00	NUT, SELF-LOCKING	2	
9	63D-44551-01-4D	HOUSING, LOWER MOUNT RUBBER	1	
10	93410-28M06-00	CIRCLIP	1	
11	63D-44555-00-94	MOUNT DAMPER, LOWER SIDE	2	UR LONG
11	687-44555-00-94	MOUNT DAMPER, LOWER SIDE	2	UR SHORT
12	90201-12M16-00	WASHER, PLATE	4	
13	90202-25M04-00	WASHER, PLATE	2	
14	90201-13M19-00	WASHER, PLATE	2	
15	90109-12M21-00	BOLT	2	
16	663-44575-00-00	DAMPER, LOWER MOUNT RUBBER	2	
17	95380-12800-00	NUT, CROWN	2	
18	63D-44552-01-4D	HOUSING, LOWER MOUNT RUBBER 2	2	
19	97095-08030-00	BOLT	4	
20	92995-08100-00	WASHER	4	
21	63D-82127-10-00	WIRE, LEAD 2	1	UR LONG
21	63D-82127-00-00	WIRE, LEAD 2	1	UR SHORT
22	63D-44514-00-94	MOUNT DAMPER, UPPER SIDE	1	
23	90101-08M15-00	BOLT	2	
24	63D-44526-00-00	PLATE	1	
25	90201-09425-00	WASHER, PLATE	2	
26	90185-08045-00	NUT, SELF-LOCKING	2	
27	97095-08030-00	BOLT	3	
28	92995-08100-00	WASHER	3	
29	90465-08M07-00	CLAMP	1	UR PTT
30	90465-11M10-00	CLAMP	2	UR PTT
31	90445-07MF1-00	HOSE (L570)	1	UR PTT
32	6E5-83558-00-00	END, NIPPLE	1	UR PTT
33	63D-48511-00-94	HOOK, STEERING	1	
34	63D-83672-00-00	TRIM SENDER	1	UR PTT
35	97885-06016-00	SCREW, PAN HEAD	2	UR PTT
36	90465-13M11-00	CLAMP	1	UR PTT

40MSHW 1998 / POWER TRIM TILT ASSEMBLY



©2014 Yamaha Motor Corporation, U.S.A. All rights reserved.

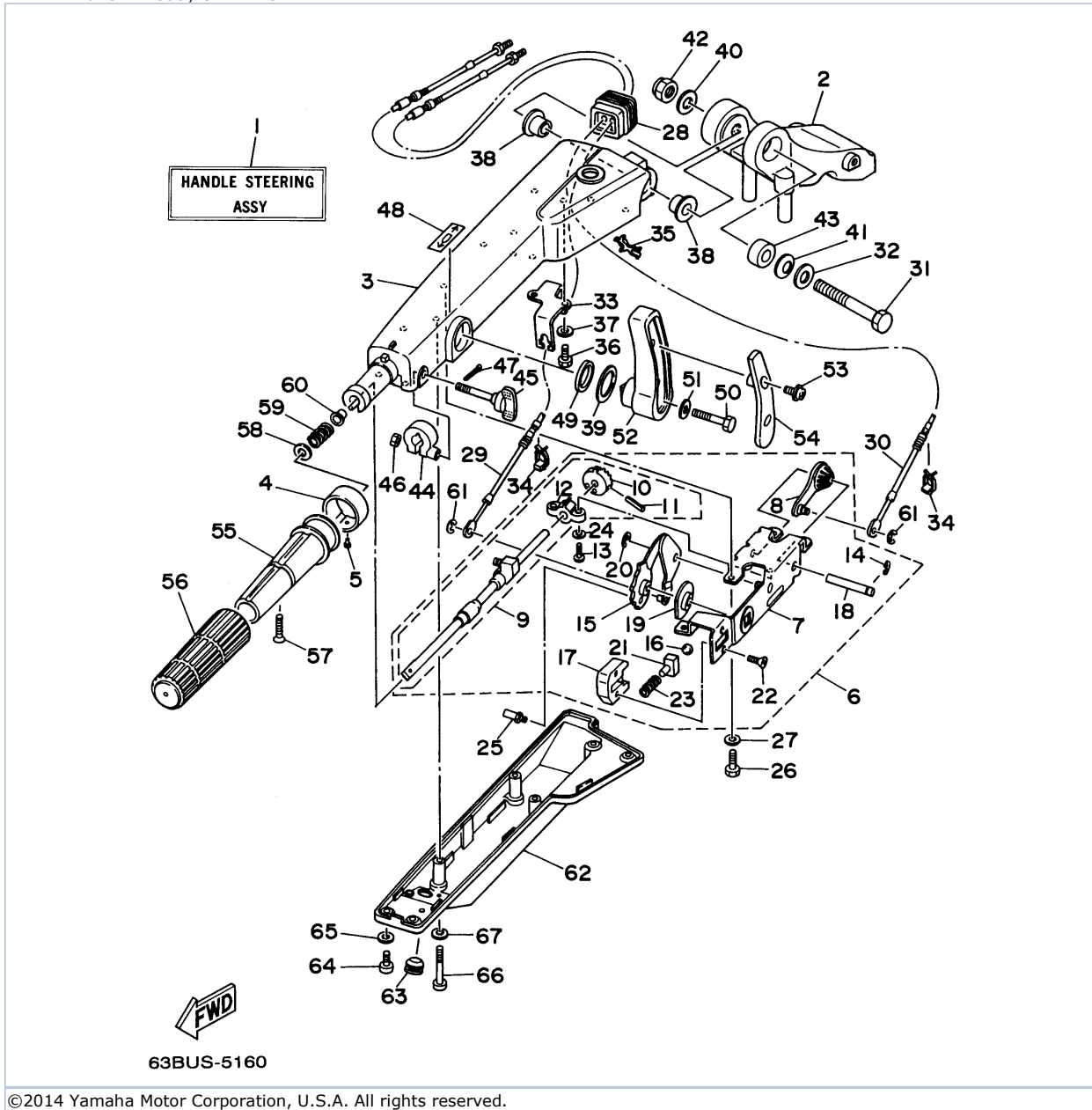
Part List

40MSHW 1998 / POWER TRIM TILT ASSEMBLY

REF - NO	PART NUMBER	PART NAME	QUANTITY	REMARKS
1	62X-43800-02-4D	POWER TRIM & TILT ASSEMBLY	1	
2	62X-43840-01-00	..POWER TILT ASSY	1	
3	62X-4380K-00-00	..SPRING, BRUSH	1	
4	62X-43810-01-00	..TILT PISTON SUB ASSY	1	
5	62X-43861-00-00	..O-RING	1	
6	62X-43862-00-00	..O-RING	1	
7	93210-29375-00	..O-RING	1	
8	62X-43871-00-00	..RING, BACK UP	1	
9	93210-44383-00	..O-RING	1	
10	93210-48214-00	..O-RING	1	
11	62X-4388A-00-00	..PISTON, TRIM	1	
12	62X-22471-00-00	..CYLINDER, SHOCK ABSORBER	1	
13	99009-35500-00	..CIRCLIP	1	
14	62X-43814-00-00	..PISTON, FREE	1	
15	6H1-4384G-11-00	..SEAL, RELIEF VALVE	1	
16	61A-43875-00-00	..RING, SNAP	1	
17	62X-43899-00-00	..PLATE STOPPER	1	
18	93503-16010-00	..BALL 3-16	6	
19	62X-4384H-00-00	..SPRING	2	
20	1UF-22434-00-00	..PLATE, VALVE 1	1	
21	62X-43875-00-00	..RING, SNAP	1	
22	91690-40010-00	..PIN, SPRING	2	
23	93210-06A45-00	..O-RING	2	
24	62X-43864-00-00	..O-RING	1	
25	93210-29375-00	..O-RING	1	
26	62X-43888-00-00	..BOLT, SOCKET	3	
27	62X-4380L-00-00	..HOUSING, TRIM & TILT SUB ASSY	1	
28	62X-4385M-00-00	..PLATE, RESERVOIR	1	
29	97095-06016-00	..BOLT	4	
30	92995-06100-00	..WASHER, SPRING	4	
31	62X-43865-00-00	..O-RING	1	
32	62X-43866-00-00	..O-RING	1	
33	62X-43878-00-00	..BOLT, SOCKET	3	
34	6H1-43817-01-00	..FILTER 2	1	
35	6H1-4385H-00-00	..SPRING, SEAL	1	
36	6H1-43831-10-00	..CONNECTOR, SHAFT	1	
37	91318-04025-00	..BOLT	4	
38	6T4-43802-03-00	..VALVE SUB ASSY	2	
39	6H1-43866-00-00	..O-RING	1	
40	6H1-43867-00-00	..O-RING	1	
41	93210-09165-00	..O-RING	2	
42	62X-43841-01-00	..PISTON, SHUTTLE	1	
43	6H1-43829-00-00	..PLUG, RESERVOIR	1	
44	62X-43830-00-00	..GEAR PUMP ASSY	1	
45	93210-06519-00	..O-RING	2	
46	6H1-4384F-10-00	..SEAL, MAIN VALVE	3	
47	6H1-43844-10-00	..PIN, VALVE SUPPORT	2	
48	6H1-43856-10-00	..SPRING, DOWN RELIEF	1	
49	6H1-43816-00-00	..FILTER 1	1	
50	6H1-43896-00-00	..O-RING	1	
51	6H1-4384G-11-00	..SEAL, RELIEF VALVE	1	
52	6H1-43855-11-00	..SPRING, UP RELIEF	1	

53	6H1-43895-11-00	.SEAT, RELIEF VALVE	1	
54	62X-4382L-00-00	.CAP, RELIEF VALVE	1	
55	97607-05210-00	.SCREW, WITH WASHER	2	
56	90647-11032-00	.CLIP	1	
57	62X-4383A-00-00	.HOSE	1	
58	62X-43860-00-00	.MANUAL VALVE SUB-ASSY	1	
59	93505-32038-00	.BALL	1	
60	93210-18397-00	.O-RING	1	
61	6H1-43875-00-00	.RING, SNAP	1	
62	61A-4385H-00-00	.SPRING, SEAL	1	
63	93605-10108-00	.PIN, DOWEL	1	
64	93210-06001-00	.O-RING	1	
65	93210-07003-00	.O-RING	1	
66	6T4-43876-00-00	.RING, SNAP	1	
67	6T4-43849-00-00	.PIN, VALVE SUPPORT	1	
68	62X-43880-00-00	.MOTOR ASSEMBLY	1	
69	62X-43805-00-00	..ARMATURE ASSY	1	
70	62X-43804-00-00	..STATOR ASSEMBLY	1	
71	62X-43891-00-00	..BRUSH 1	1	
72	62X-43892-00-00	..BRUSH 2	1	
73	62X-82181-00-00	..CIRCUIT BREAKER COMP	1	
74	62X-4380F-00-00	..PLATE, BRUSH HOLDER	1	
75	62X-43807-00-00	..WIRE SUB ASSY	1	
76	62X-4386K-00-00	..SPRING, BRUSH	2	
77	97880-05020-00	..SCREW, PAN HEAD	3	
78	97607-04212-00	..SCREW, WITH WASHER	2	
79	62X-43881-00-00	..FRAME, END	1	
80	62X-4380H-00-00	..METAL	1	
81	93102-08414-00	..OIL SEAL	1	
82	90201-083J8-00	..WASHER, PLATE	1	
83	93210-52449-00	..O-RING	1	

40MSHW 1998 / STEERING



©2014 Yamaha Motor Corporation, U.S.A. All rights reserved.

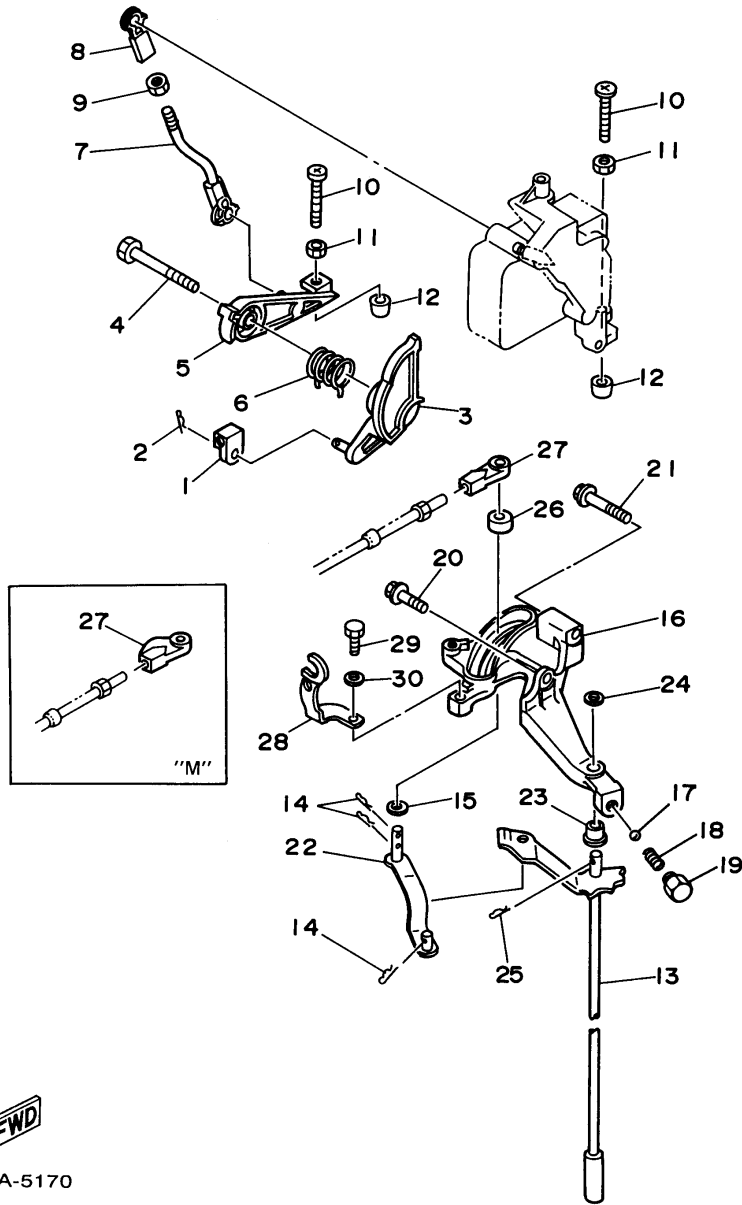
Part List

40MSHW 1998 / STEERING

REF - NO	PART NUMBER	PART NAME	QUANTITY	REMARKS
1	63D-W0084-00-4D	HANDLE STEERING ASSY	1	
2	63D-42121-00-4D	BRACKET	1	
3	63D-42111-01-4D	HANDLE, STEERING	1	
4	6H2-42137-00-00	INDICATOR, THROTTLE	1	UR E
4	6K5-42137-00-00	INDICATOR, THROTTLE	1	UR M
5	90269-02M09-00	RIVET	1	
6	63D-44100-11-00	SHIFT LINK ASSY	1	
7	63D-44104-00-00	.PLATE COMP	1	
8	63D-48261-00-00	.ARM, THROTTLE	1	
9	63D-42115-00-00	.SHAFT, STEERING HANDLE	1	
10	650-42152-00-94	..GEAR	1	
11	91690-30025-00	..PIN, SPRING	1	
12	63D-42159-00-00	..STAY	1	
13	98580-06016-00	.SCREW, PAN HEAD	2	
14	93430-08006-00	.CIRCLIP	1	
15	63D-44113-00-00	.CAM PLATE, HANDLE	1	
16	63D-48236-00-00	.ROLLER, DETENT	1	
17	63D-48119-00-00	.COVER	1	
18	63D-42153-00-00	.SHAFT, THROTTLE CONTROL	1	
19	63D-44132-00-00	.BUSHING	1	
20	63D-48118-00-00	.CLIP, SHIFT LEVER	1	
21	63D-48237-00-00	.ADAPTER	1	
22	98785-05014-00	.SCREW, FLAT HEAD	2	
23	63D-48238-00-00	.SPRING, DETENT	1	
24	63D-42181-00-00	.WASHER	2	
25	63D-44114-01-00	STOPPER	1	
26	97095-06016-00	BOLT	4	
27	92995-06600-00	WASHER	4	
28	63D-42725-00-00	GROMMET	1	
29	63D-48321-01-00	CABLE	1	
30	63D-26301-01-00	THROTTLE CABLE ASSY	1	
31	90101-12M09-00	BOLT	1	
32	92990-12200-00	WASHER, PLAIN	1	
33	63D-48531-00-00	BRACKET, REMOTE CONTROL	1	
34	63D-48538-00-00	CLAMP, CABLE 1	2	
35	90464-09M42-00	CLAMP	1	
36	97095-06016-00	BOLT	2	
37	92995-06600-00	WASHER	2	
38	90386-12M93-00	BUSH	2	
39	90386-29M95-00	BUSH	1	
40	92990-12600-00	WASHER, PLATE	1	
41	90206-12M22-00	WASHER, WAVE	1	
42	90185-12058-00	NUT, SELF-LOCKING	1	
43	90387-12M02-00	COLLAR	1	
44	63D-42126-00-00	FRICTION, STEERING HANDLE GRIP	1	
45	63D-48154-00-00	KNOB, THROTTLE	1	
46	95380-06600-00	NUT, HEXAGON	1	
47	91490-20010-00	PIN. COTTER	1	
48	6G8-44191-00-00	INDICATOR, SHIFT	1	
49	90202-24M53-00	WASHER, PLATE	1	
50	97095-08040-00	BOLT	1	
51	92995-08600-00	WASHER	1	
52	63D-44159-01-00	HANDLE, GEAR SHIFT	1	

53	90159-06M18-00	SCREW, WITH WASHER	2	
54	63D-44173-00-00	LEVER, SHIFT CONTROL	1	
55	664-42119-00-00	GRIP, STEERING HANDLE	1	
56	6G1-42177-00-00	RUBBER, HANDLE	1	
57	90149-05M13-00	SCREW	1	
58	92903-10600-00	WASHER, PLATE	1	
59	90501-23215-00	SPRING, COMPRESSION	1	
60	90386-08032-00	BUSH	1	
61	93430-04M03-00	CIRCLIP	2	
62	63D-42131-00-00	COVER, HANDLE STEERING	1	
63	90480-14M14-00	GROMMET	1	
64	97885-06016-00	SCREW, PAN HEAD	4	
65	92995-06600-00	WASHER	4	
66	97885-06040-00	SCREW, PAN HEAD	3	
67	92995-06600-00	WASHER	3	

40MSHW 1998 / CONTROL



63CJA-5170

©2014 Yamaha Motor Corporation, U.S.A. All rights reserved.



Part List

40MSHW 1998 / CONTROL

REF - NO	PART NUMBER	PART NAME	QUANTITY	REMARKS
1	6H4-48344-00-00	CABLE END, REMOTE CONTROL	1	
2	90468-18008-00	CLIP	1	
3	63D-41213-00-00	CAM, ACCEL.	1	
4	90109-06M43-00	BOLT	1	
5	63D-41632-00-00	LEVER, MAGNETO CONTROL	1	
6	90508-26M35-00	SPRING, TORSION	1	
7	63D-41636-00-00	ROD, MAGNETO CONTROL	1	
8	6H4-41237-00-00	JOINT, LINK	1	
9	95380-05600-00	NUT	1	
10	90157-06M13-00	SCREW, PAN HEAD	2	
11	95303-06600-00	.NUT	2	
12	688-44194-00-00	CAP	2	
13	63D-44120-10-00	HANDLE GEAR SHIFT ASSY	1	UR LONG
13	63D-44120-00-00	HANDLE GEAR SHIFT ASSY	1	UR SHORT
14	90468-18008-00	CLIP	3	
15	90202-07M07-00	WASHER, PLATE	1	
16	63D-44117-00-00	BRACKET	1	
17	93501-04M02-00	BALL	1	
18	90501-12082-00	SPRING, COMPRESSION	1	
19	648-42715-00-00	BUSHING	1	
20	97595-06520-00	BOLT, WITH WASHER	1	
21	97513-06245-00	BOLT, WITH WASHER	1	
22	63D-44121-00-00	LEVER, SHIFT ROD	1	
23	90386-07M58-00	BUSH	1	
24	92990-08200-00	WASHER, PLAIN	1	
25	91490-20012-00	PIN. COTTER	1	
26	688-44122-00-00	BUSHING, SHIFT ROD LEVER	1	
27	63D-48344-00-00	CABLE END, REMOTE CONTROL	1	UR M
27	663-48344-00-00	.CABLE END, REMOTE CONTROL	1	UR E
28	63D-15774-00-00	STAY 4	1	
29	97095-06016-00	BOLT	1	
30	92995-06600-00	WASHER	1	

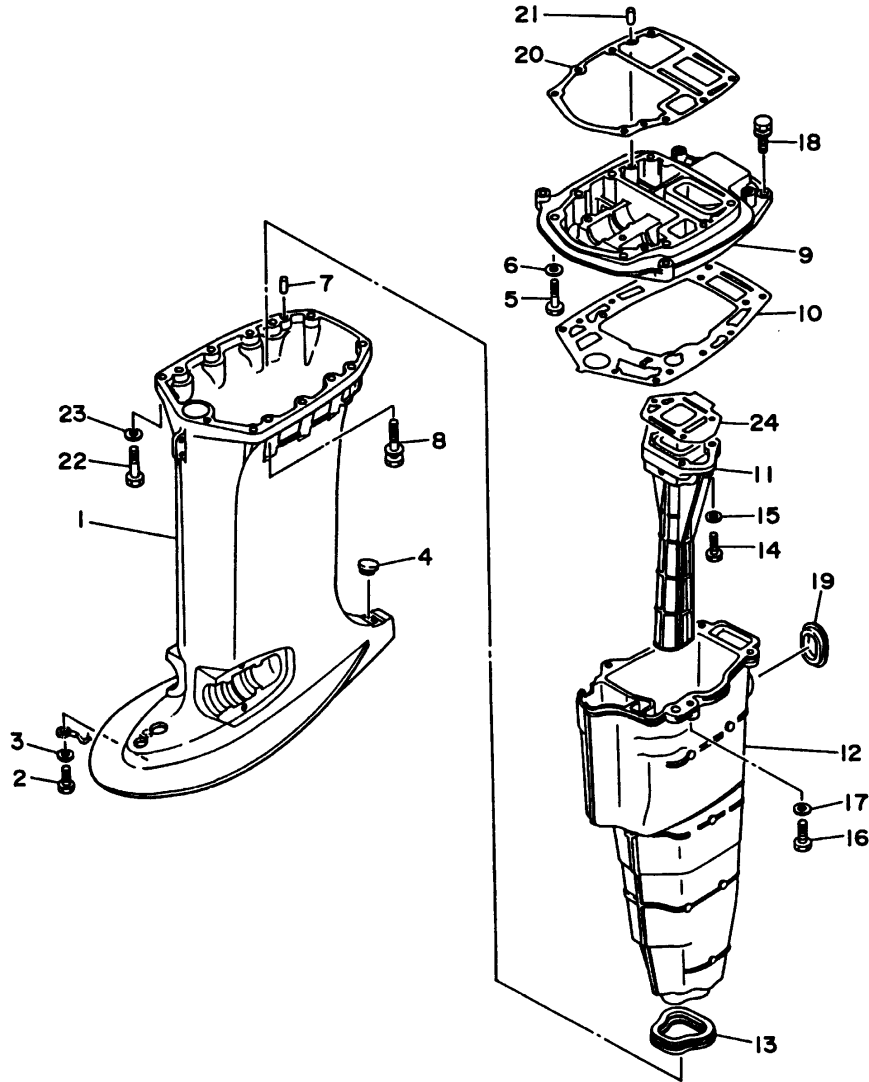
Part Notes

40MSHW 1998 / CONTROL

PART NUMBER		NOTE TEXT
90468-18008-00		OEM: This part number is among the Top 100 Most Popular Marine Maintenance Parts as of March 2014.
90468-18008-00		OEM: This part number is among the Top 100 Most Popular Marine Maintenance Parts as of March 2014.

©2014 Yamaha Motor Corporation, U.S.A. All rights reserved.

40MSHW 1998 / UPPER CASING




63BUS-5180

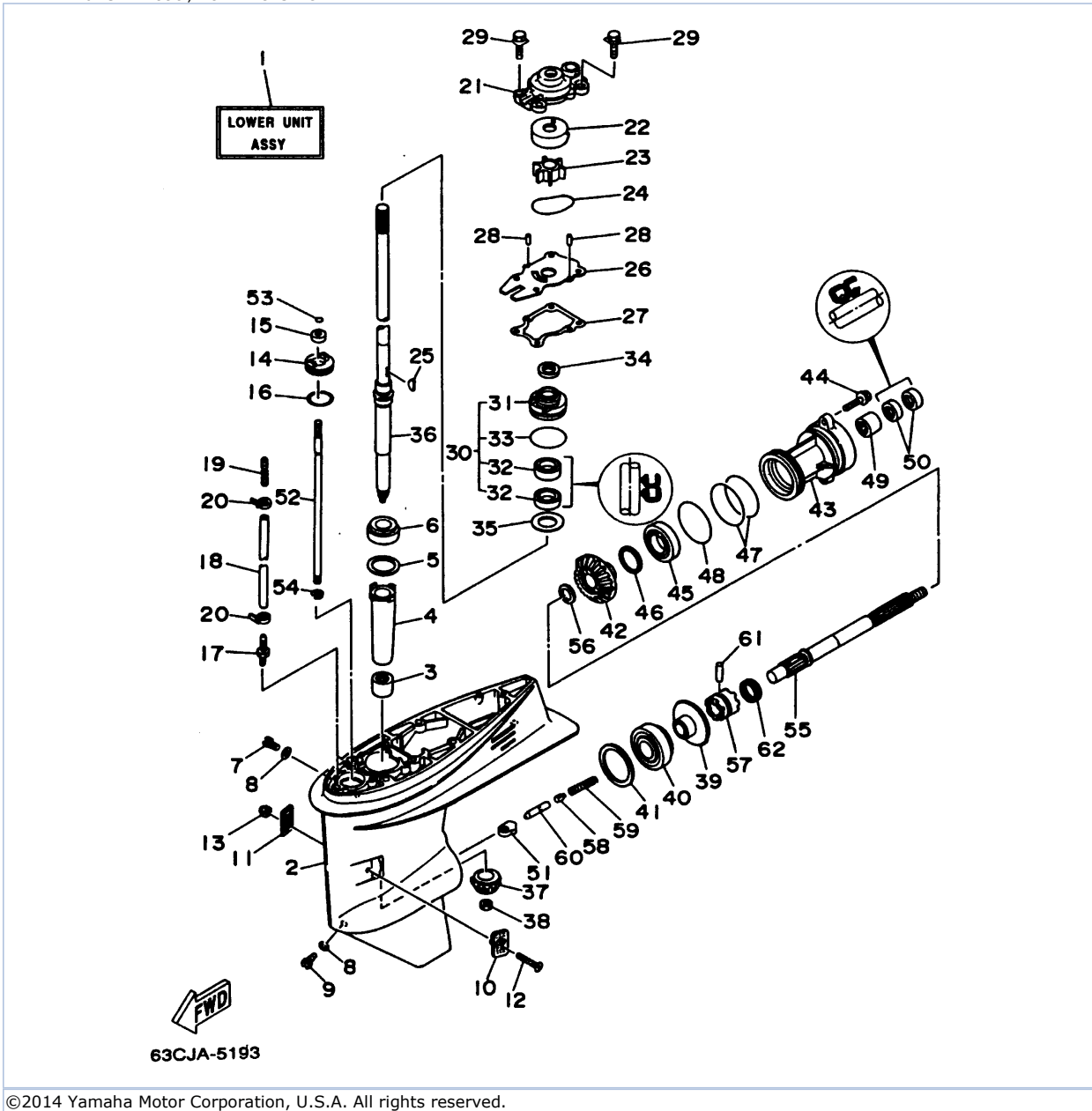
©2014 Yamaha Motor Corporation, U.S.A. All rights reserved.

Part List

40MSHW 1998 / UPPER CASING

REF - NO	PART NUMBER	PART NAME	QUANTITY	REMARKS
1	63D-45111-11-4D	CASING, UPPER	1	UR LONG
1	63D-45111-01-4D	CASING, UPPER	1	UR SHORT
2	97095-06012-00	BOLT	1	
3	92995-06100-00	WASHER, SPRING	1	
4	63D-45155-00-00	CAP	1	
5	97075-08045-00	BOLT	2	
6	92995-08100-00	WASHER	2	
7	93606-12019-00	.PIN, DOWEL	2	
8	90119-08M83-00	BOLT, WITH WASHER	6	
9	63D-41137-01-5B	GUIDE, EXHAUST	1	
10	63D-45114-A0-00	.GASKET, UPPER CASING	1	
11	6H5-41131-00-5B	MANIFOLD, EXT. 1	1	UR 50
11	6H4-41131-01-5B	MANIFOLD, EXT. 1	1	UR 40
12	63D-14711-11-5B	MUFFLER 1	1	UR LONG
12	63D-14711-00-5B	MUFFLER 1	1	UR SHORT
13	63D-45123-00-00	.GASKET, MUFFLER	1	
14	97075-08030-00	BOLT	3	
15	92995-08600-00	WASHER	3	
16	97075-08030-00	BOLT	4	
17	92995-08600-00	WASHER	4	
18	90119-08M79-00	BOLT, WITH WASHER	2	
19	6H3-45127-00-00	SEAL	1	
20	6H4-45113-A0-00	GASKET, UPPER CASING	1	
21	93606-12019-00	.PIN, DOWEL	2	
22	97075-08045-00	BOLT	2	
23	92995-08100-00	WASHER	2	
24	6H4-41134-A0-00	GASKET, EXHAUST MANIFOLD	1	

40MSHW 1998 / LOWER CASING DRIVE 1



Part List




40MSHW 1998 / LOWER CASING DRIVE 1

REF - NO	PART NUMBER	PART NAME	QUANTITY	REMARKS
1	63D-45300-01-4D	LOWER UNIT ASSY	1	UR SHORT
1	63D-45300-11-4D	LOWER UNIT ASSY	1	UR LONG
2	63D-45301-02-4D	CASING, LOWER	1	
3	93315-32224-00	BEARING	1	
4	6H4-45536-00-00	SLEEVE, DRIVE SHAFT	1	
5	663-45587-01-12	SHIM (T:0.12MM)	1	UR
5	663-45587-01-10	SHIM (T:0.10MM)	1	UR
5	663-45587-01-15	SHIM (T:0.15MM)	1	UR
5	663-45587-01-50	SHIM (T:0.50MM)	1	UR
5	663-45587-01-40	SHIM (T:0.40MM)	1	UR
5	663-45587-01-18	SHIM (T:0.18MM)	1	UR
5	663-45587-01-30	SHIM (T:0.30MM)	1	UR
6	93332-00001-00	BEARING	1	
7	90340-08M04-00	PLUG, STRAIGHT SCREW	1	
8	90430-08020-00	.GASKET	2	
9	688-45341-00-00	PLUG, DRAIN	1	
10	63D-45214-00-00	COVER, WATER INLET 1	1	
11	63D-45215-00-00	COVER, WATER INLET 2	1	
12	90142-05M06-00	SCREW, COUNTERSUNK	1	
13	95380-05600-00	NUT	1	
14	63D-45321-00-00	PLATE	1	
15	93106-09014-00	.OIL SEAL	1	
16	93210-33MG4-00	.O-RING	1	
17	6E5-45378-00-00	NIPPLE, HOSE	1	
18	90445-07ME9-00	HOSE (L120)	1	UR SHORT
18	90445-07M31-00	HOSE (L200)	1	UR LONG
19	6E5-83558-00-00	END, NIPPLE	1	UR
19	6E5-83558-10-00	END, NIPPLE	1	UR PTT
20	90465-11M10-00	CLAMP	2	
21	63D-44311-00-00	HOUSING, WATER PUMP	1	
22	63D-44322-00-00	.INSERT, CARTRIDGE	1	
23	6H3-44352-00-00	.IMPELLER	1	
24	93210-59MG7-00	.O-RING	1	
25	90280-03024-00	.KEY, WOODRUFF	1	
26	63D-44323-00-00	.OUTER PLATE, CARTRIDGE	1	
27	63D-44316-00-00	.GASKET, WATER PUMP	1	
28	93604-08062-00	PIN, DOWEL	2	
29	90119-08M15-00	.BOLT, WITH WASHER	4	
30	63D-W4434-00-00	WATER PUMP HOUSING ASSY	1	
31	63D-44341-00-00	.HOUSING, WATER PUMP	1	
32	93101-25M57-00	.OIL SEAL	2	
33	93210-48MG8-00	.O-RING	1	
34	63D-45344-00-00	COVER, OIL SEAL	1	
35	90201-27M00-00	WASHER, PLATE	1	
36	63D-45501-10-00	DRIVE SHAFT COMP.	1	UR LONG
36	63D-45501-00-00	DRIVE SHAFT COMP.	1	UR SHORT
37	6H4-45551-01-00	PINION (13T)	1	
38	90170-12138-00	NUT	1	
39	6H4-45560-01-00	GEAR 1 (24T)	1	
40	93332-00003-00	BEARING	1	
41	663-45567-01-10	SHIM (T:0.10MM)	1	UR
41	663-45567-01-12	SHIM (T:0.12MM)	1	UR
41	663-45567-01-15	SHIM (T:0.15MM)	1	UR

41	663-45567-01-18	SHIM (T:0.18MM)	1	UR
41	663-45567-01-30	SHIM (T:0.30MM)	1	UR
41	663-45567-01-40	SHIM (T:0.40MM)	1	UR
41	663-45567-01-50	SHIM (T:0.50MM)	1	UR
42	6H4-45571-01-00	GEAR 2 (24T)	1	
43	63D-45361-02-4D	CAP, LOWER CASING	1	
44	90105-08M61-00	BOLT, FLANGE	2	
45	93306-001U1-00	BEARING	1	
46	63D-45577-00-10	SHIM (T:0.10MM)	1	UR
46	63D-45577-00-12	SHIM (T:0.12MM)	1	UR
46	63D-45577-00-15	SHIM (T:0.15MM)	1	UR
46	63D-45577-00-18	SHIM (T:0.18MM)	1	UR
46	63D-45577-00-30	SHIM (T:0.30MM)	1	UR
46	63D-45577-00-40	SHIM (T:0.40MM)	1	UR
46	63D-45577-00-50	SHIM (T:0.50MM)	1	UR
47	93210-74MG5-00	.O-RING	2	
48	93210-69MG6-00	.O-RING	1	
49	93317-22204-00	BEARING	1	
50	93101-22M00-00	.OIL SEAL	2	
51	663-44151-00-00	CAM, SHIFT	1	
52	63D-44144-00-00	ROD, SHIFT	1	
53	93210-07003-00	.O-RING	1	
54	93430-08006-00	CIRCLIP	1	
55	63D-45611-00-00	SHAFT, PROPELLER	1	
56	90201-22429-00	WASHER, PLATE	1	
57	63D-45631-01-00	CLUTCH, DOG	1	
58	663-45634-00-00	SLIDE, SHIFT	1	
59	90501-16M01-00	SPRING, COMPRESSION	1	
60	63D-45635-00-00	PLUNGER, SHIFT	1	
61	90250-06023-00	PIN, STRAIGHT	1	
62	663-45633-00-00	RING, CROSS PIN	1	

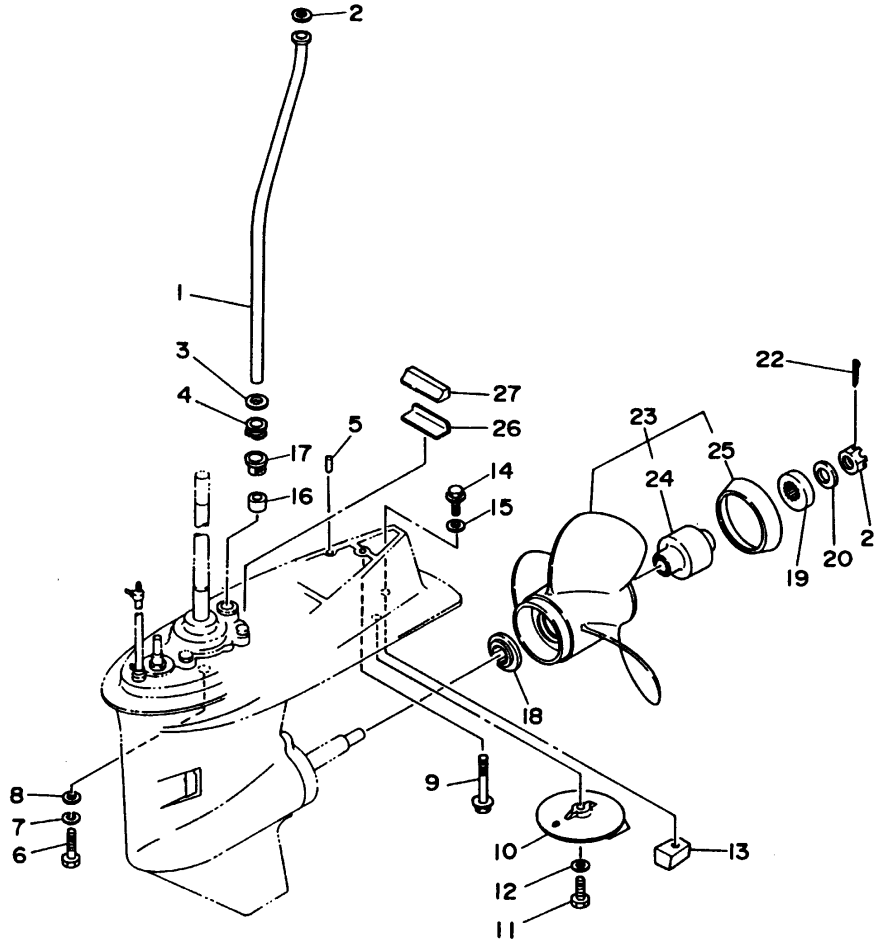
Part Notes

40MSHW 1998 / LOWER CASING DRIVE 1

PART NUMBER		NOTE TEXT
90430-08020-00		OEM: This part number is among the Top 100 Most Popular Marine Maintenance Parts as of March 2014.
93106-09014-00		OEM: This part number is among the Top 100 Most Popular Marine Maintenance Parts as of March 2014.
6H3-44352-00-00		OEM: This part number is among the Top 100 Most Popular Marine Maintenance Parts as of March 2014.

©2014 Yamaha Motor Corporation, U.S.A. All rights reserved.

40MSHW 1998 / LOWER CASING DRIVE 2



63BYMUS-5200

©2014 Yamaha Motor Corporation, U.S.A. All rights reserved.

Part List


40MSHW 1998 / LOWER CASING DRIVE 2

REF - NO	PART NUMBER	PART NAME	QUANTITY	REMARKS
1	63D-44361-10-00	TUBE, WATER	1	UR LONG
1	63D-44361-00-00	TUBE, WATER	1	UR SHORT
2	90202-12060-00	WASHER, PLATE	1	
3	90430-12072-00	GASKET	1	
4	63D-44367-00-00	DAMPER, WATER SEAL	1	
5	93606-12019-00	.PIN, DOWEL	2	
6	97075-10040-00	BOLT	4	
7	92990-10100-00	WASHER, SPRING	4	
8	92990-10600-00	WASHER, PLATE	4	
9	90119-08M84-00	BOLT, WITH WASHER	1	
10	664-45371-01-00	TAB-TRIM	1	
11	97095-08025-00	BOLT	1	
12	92995-08100-00	WASHER	1	
13	63D-45251-10-00	ANODE	1	
14	97095-08020-00	BOLT	1	
15	92995-08100-00	WASHER	1	
16	663-44366-00-00	.DAMPER, WATER SEAL 2	1	
17	63D-44312-00-00	.COVER, WATER PUMP HOUSING	1	
18	663-45987-02-00	SPACER 1	1	
19	670-45997-02-00	SPACER	1	
20	92990-16200-00	WASHER, PLAIN	1	
21	90171-16011-00	NUT, CASTLE	1	
22	91490-30025-00	PIN. COTTER	1	
23	6H5-45958-00-EL	PROPELLER (3X10-1/4"X14"-G)	1	UR
23	663-45970-60-98	PROPELLER (3X11-3/4"X12"-G)	1	UR
23	663-45972-60-98	PROPELLER (3X12"X11"-G)	1	UR
23	663-45974-60-98	PROPELLER (3X11-1/2"X13"-G)	1	UR
23	663-45976-00-98	PROPELLER (3X10-1/4"X15"-G)	1	UR
23	663-45978-00-98	PROPELLER (3X10-1/4"X16"-G)	1	UR
23	663-45930-00-98	PROPELLER (3X10-1/4"X14"-G)	1	UR
23	663-45945-02-EL	PROPELLER (3X11-1/8"X13"-G)	1	UR
23	663-45958-01-EL	PROPELLER (3X11-1/4"X14"-G)	1	UR
23	663-45974-02-98	PROPELLER (3X10-5/8"X13"-G)	1	UR
23	663-45952-02-EL	PROPELLER (3X11-3/8"X12"-G)	1	UR
23	697-45970-00-98	PROPELLER (3X11-1/4"X14"-G)	1	UR
23	6H5-45943-00-EL	PROPELLER (3X10"X15"-G)	1	UR
23	663-45941-01-EL	PROPELLER (3X10-3/4"X17"-G)	1	UR
23	663-45956-01-EL	PROPELLER (3X12-1/4"X9"-G)	1	UR
23	6H5-45952-00-EL	PROPELLER (3X10-3/8X13"-G)	1	UR
23	6H5-45945-00-EL	PROPELLER (3X10-5/8X12"-G)	1	UR
23	663-45947-02-EL	PROPELLER (3X11-5/8"X11"-G)	1	UR
23	663-45949-01-EL	PROPELLER (3X10-3/4"X16"-G)	1	UR

24	663-45981-10-00	DAMPER, RUBBER PROP	1	
25	663-45986-00-94	RING, DEFLECTOR	1	
26	663-45376-00-94	GUIDE, SEAL DAMPER	1	
27	63D-45375-00-00	DAMPER, SEAL	1	

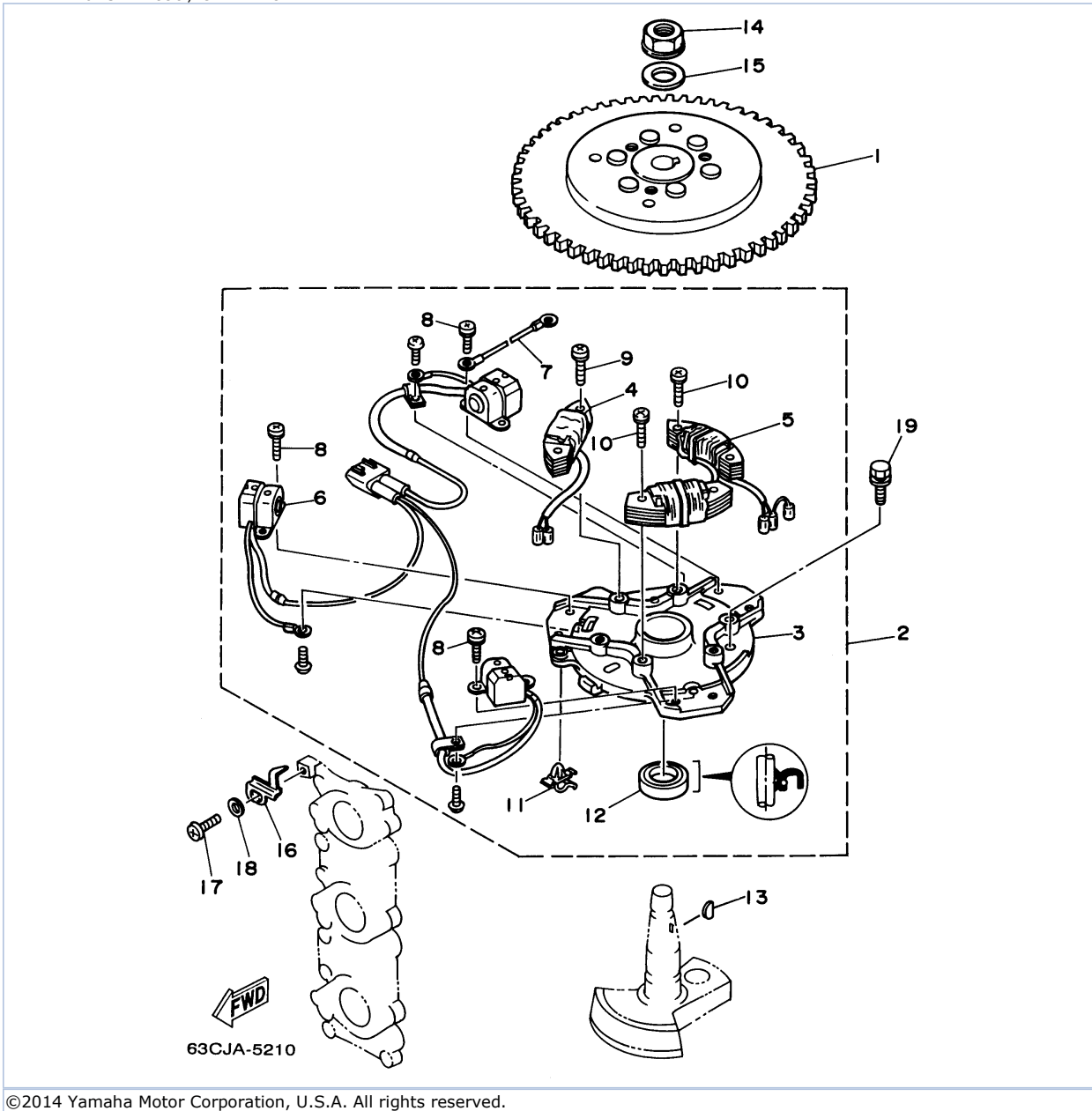
Part Notes

40MSHW 1998 / LOWER CASING DRIVE 2

PART NUMBER		NOTE TEXT
92990-10600-00		OEM: This part number is among the Top 100 Most Popular Marine Maintenance Parts as of March 2014.

©2014 Yamaha Motor Corporation, U.S.A. All rights reserved.

40MSHW 1998 / GENERATOR

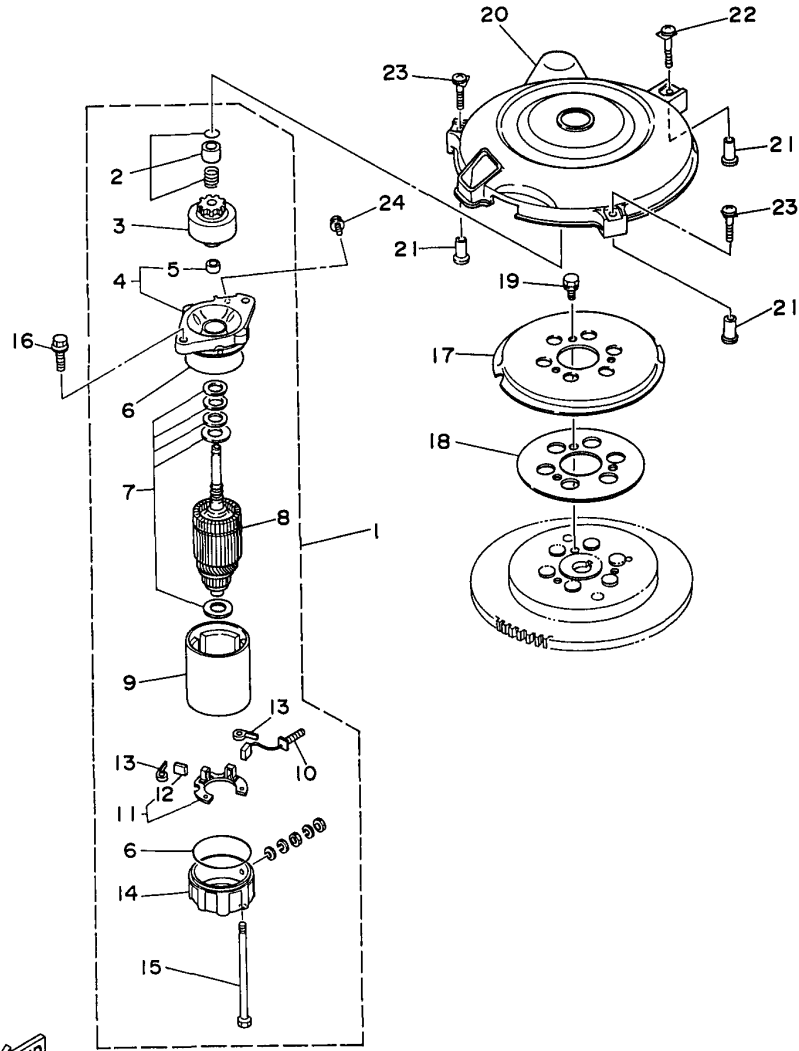


Part List

40MSHW 1998 / GENERATOR

REF - NO	PART NUMBER	PART NAME	QUANTITY	REMARKS
1	63D-85550-00-00	ROTOR ASSY	1	UR
1	63D-85550-10-00	ROTOR ASSY	1	UR M
2	63D-85560-00-00	BASE ASSY	1	
3	6H4-15359-04-94	.HOUSING, OIL SEAL	1	
4	63D-85520-00-00	.COIL, CHARGE	1	
5	63D-85533-00-00	.COIL, LIGHTING	1	
6	63D-85580-00-00	.COIL, PULSER	1	
7	6H4-83354-00-00	.WIRE, EARTH LEAD 1	1	
8	63D-81345-00-00	.SCREW, WITH WASHER (M5X12)	6	
9	63D-81345-10-00	.SCREW, WITH WASHER (M6X25)	2	
10	63D-81345-20-00	.SCREW, WITH WASHER (M6X30)	4	
11	90464-03M15-00	.CLAMP	1	
12	93102-23096-00	.OIL SEAL	1	
13	6H4-11545-00-00	KEY, WOODRUFF	1	
14	90179-16M05-00	NUT	1	
15	90201-16M44-00	WASHER, PLATE	1	
16	6H4-81332-00-00	PLATE, TIMING	1	
17	97885-05010-00	.SCREW, PAN HEAD	1	
18	92990-05600-00	WASHER, PLATE	1	
19	97513-06518-00	BOLT, WITH WASHER	3	

40MSHW 1998 / STARTING MOTOR



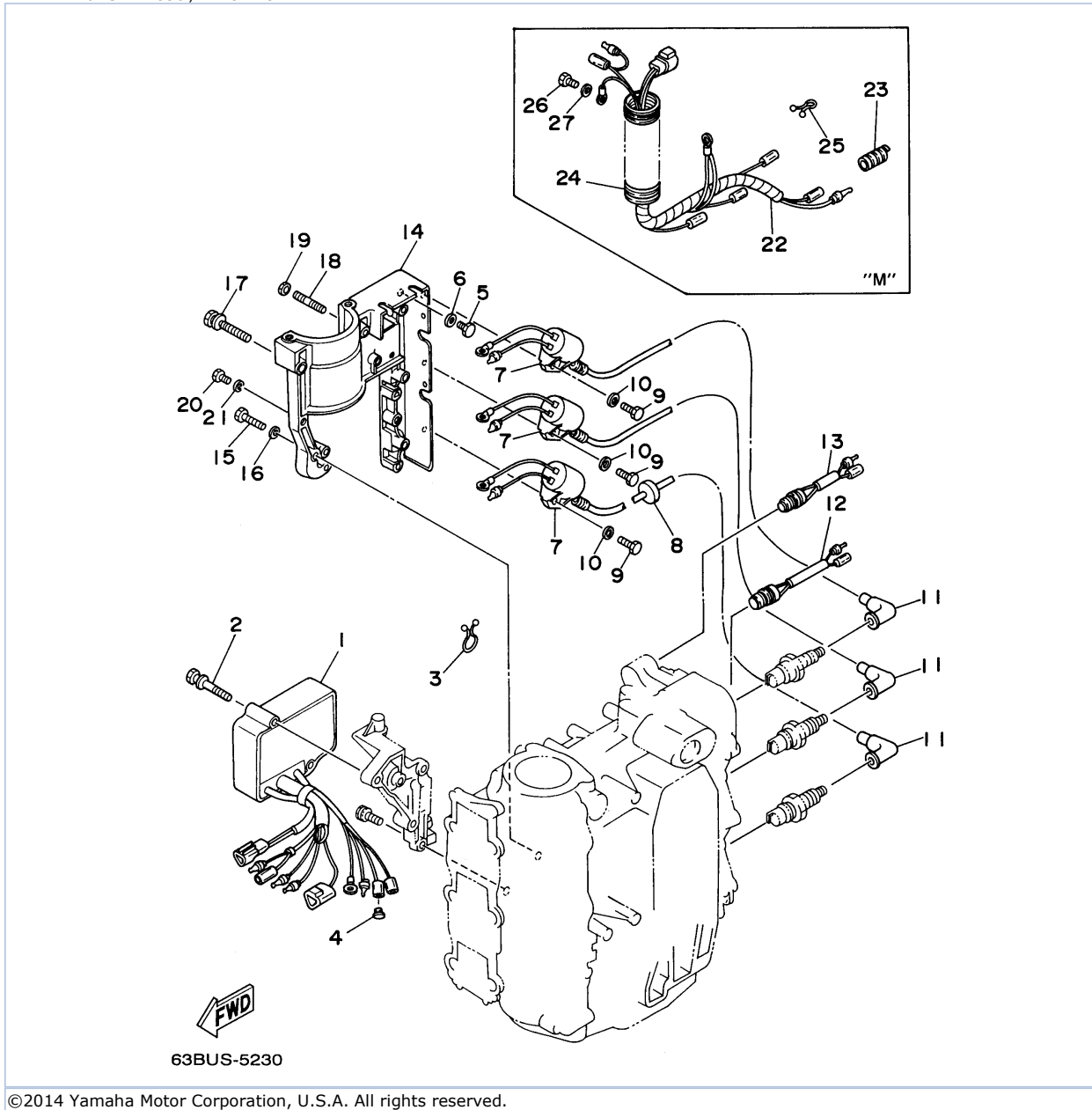
63CJA-5221

Part List

40MSHW 1998 / STARTING MOTOR

REF - NO	PART NUMBER	PART NAME	QUANTITY	REMARKS
1	6F5-81800-11-00	STARTING MOTOR ASSY	1	
2	689-81857-11-00	.PINION STOPPER SET	1	
3	689-81807-12-00	.GEAR ASSY, STARTING MOTOR	1	
4	6F5-81830-11-00	.FRONT BRACKET ASSY	1	
5	689-81831-00-00	..METAL, FRONT	1	
6	689-81847-11-00	.O-RING	2	
7	689-81809-11-00	.WASHER KIT	1	
8	689-81850-12-00	.ARMATURE ASSY	1	
9	689-81810-11-00	.STATOR ASSY	1	
10	689-81811-11-00	.BRUSH 1	1	
11	689-81840-11-00	.BRUSH HOLDER ASSY	1	
12	689-81812-11-00	..BRUSH 2	1	
13	689-81813-10-00	.SPRING, BRUSH	2	
14	689-81820-11-00	.REAR BRACKET ASSY	1	
15	689-81826-10-00	.BOLT	2	
16	97513-08230-00	BOLT, WITH WASHER	2	
17	6J8-15723-E1-00	PULLEY, STARTER	1	
18	6J8-81365-A0-00	GASKET, HOLE COVER	1	
19	97513-08214-00	BOLT, WITH WASHER	3	
20	6H4-81337-01-00	COVER, FLYWHEEL	1	
21	90387-06M65-00	COLLAR	3	
22	90159-06M21-00	SCREW, WITH WASHER	1	
23	90159-06M22-00	SCREW, WITH WASHER	2	
24	97513-08216-00	BOLT, WITH WASHER	1	

40MSHW 1998 / ELECTRICAL 1



©2014 Yamaha Motor Corporation, U.S.A. All rights reserved.



Part List

40MSHW 1998 / ELECTRICAL 1

REF - NO	PART NUMBER	PART NAME	QUANTITY	REMARKS
1	63D-85540-01-00	C.D.I. UNIT ASSY	1	
2	90119-06M51-00	BOLT, WITH WASHER	2	
3	90464-15M11-00	CLAMP	1	
4	703-82119-00-00	COVER, LEAD WIRE	1	UR
5	97095-06014-00	BOLT	1	
6	92995-06600-00	WASHER	1	
7	6H5-85570-00-00	IGNITION COIL ASSY	3	
8	90480-25161-00	GROMMET	1	
9	97095-06020-00	BOLT	3	
10	92995-06600-00	WASHER	3	
11	663-82370-01-00	PLUG CAP ASSY	3	UR USA
12	689-82560-00-00	THERMO SWITCH ASSEMBLY	1	
13	6H4-82560-00-00	THERMO SWITCH ASSY	1	
14	6H4-81822-02-98	BRACKET, STARTING MOTOR	1	E
15	97095-06030-00	BOLT	4	E
16	92995-06600-00	WASHER	4	E
17	97513-08550-00	BOLT, WITH WASHER	1	E
18	95670-06640-00	BOLT, STUD	1	E
19	90179-06M24-00	NUT	1	E
20	97095-06014-00	BOLT	2	E
21	92990-06600-00	WASHER, PLATE	2	E
22	63D-82531-00-00	WIRE, LEAD	1	M
23	90446-10M02-00	HOSE	1	M
24	6G1-83557-00-00	TUBE	1	M
25	90464-05M16-00	CLAMP	1	M
26	97095-06014-00	BOLT	1	M
27	92990-06600-00	WASHER, PLATE	1	M

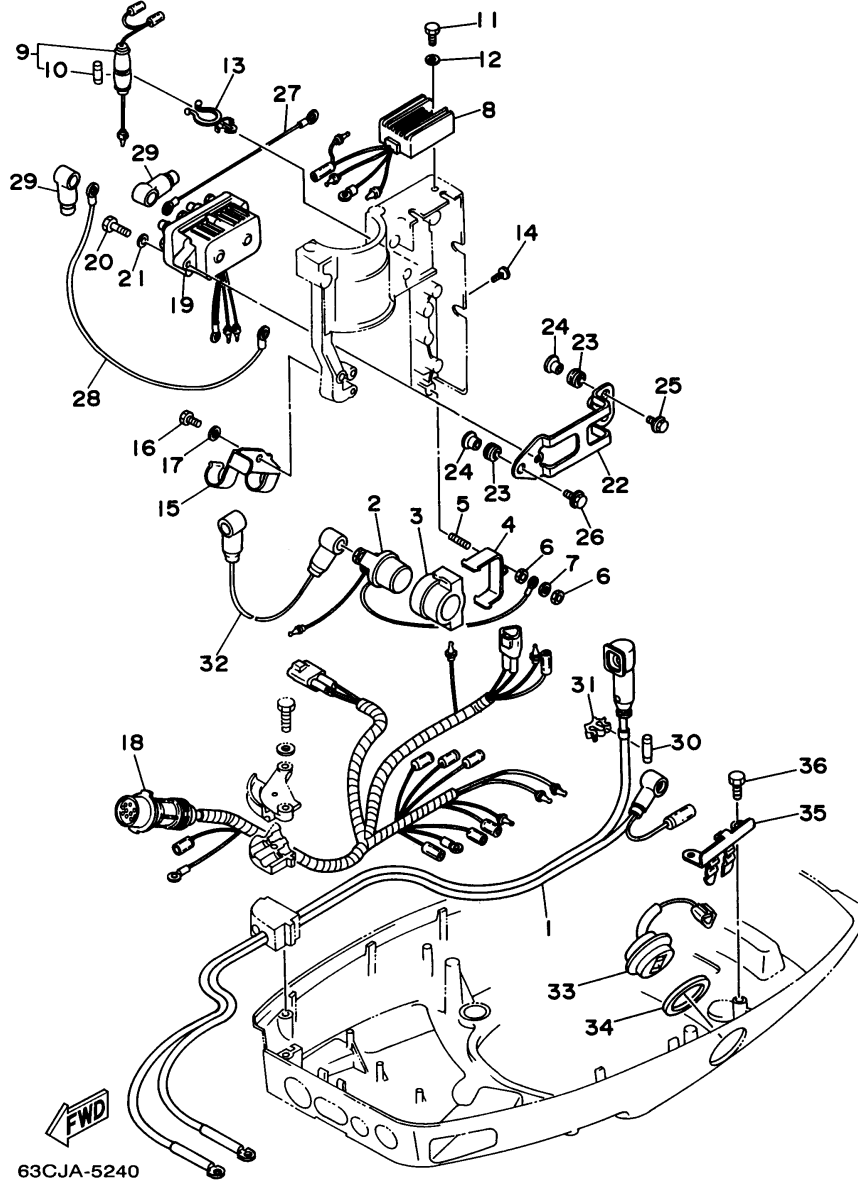
Part Notes

40MSHW 1998 / ELECTRICAL 1

PART NUMBER	NOTE TEXT
92990-06600-00 	OEM: This part number is among the Top 100 Most Popular Marine Maintenance Parts as of March 2014.
92990-06600-00 	OEM: This part number is among the Top 100 Most Popular Marine Maintenance Parts as of March 2014.

©2014 Yamaha Motor Corporation, U.S.A. All rights reserved.

40MSHW 1998 / ELECTRICAL 2 ELECTRIC START



©2014 Yamaha Motor Corporation, U.S.A. All rights reserved.


Part List

40MSHW 1998 / ELECTRICAL 2 ELECTRIC START

REF - NO	PART NUMBER	PART NAME	QUANTITY	REMARKS
1	6H4-82105-02-00	BATTERY CABLE	1	
2	6G1-81941-10-00	STARTER RELAY ASSY	1	
3	6H4-81952-00-00	HOLDER, RELAY	1	
4	6H4-81945-00-00	PLATE, SWITCH FITTING	1	
5	90116-06M22-00	BOLT, STUD	1	
6	95380-06600-00	NUT, HEXAGON	2	
7	92990-06600-00	WASHER, PLATE	1	
8	6H2-81960-00-00	RECTIFIER & REGULATOR ASSY	1	
9	6H4-82150-00-00	FUSE HOLDER ASSY	1	
10	663-82151-00-00	.FUSE (12V-20A)	1	
11	97095-06014-00	BOLT	1	
12	92995-06600-00	WASHER	1	
13	90464-15M27-00	CLAMP	1	
14	90338-05M11-00	PLUG	2	
15	63D-82594-00-00	CLAMP	1	
16	97095-06012-00	BOLT	1	
17	92995-06600-00	WASHER	1	
18	63D-82590-10-00	WIRE HARNESS ASSY	1	UR
18	63D-82590-20-00	WIRE HARNESS ASSY	1	UR PTT
19	6H1-81950-00-00	RELAY ASSY	1	PTT
20	97095-06025-00	BOLT	2	PTT
21	92995-06600-00	WASHER	2	PTT
22	6H4-81945-20-00	PLATE, SWITCH FITTING	1	PTT
23	90480-13M24-00	GROMMET	3	PTT
24	90387-06M05-00	COLLAR	3	PTT
25	90105-06M15-00	BOLT, FLANGE	2	PTT
26	90105-06M16-00	BOLT, FLANGE	1	PTT
27	6H5-81949-00-00	WIRE, LEAD	1	PTT
28	61A-81949-00-00	WIRE, LEAD	1	PTT
29	682-82119-01-00	COVER, LEAD WIRE	4	PTT
30	6H3-82151-00-00	FUSE	1	
31	90464-07M20-00	CLAMP	1	
32	6H4-82117-00-00	WIRE, LEAD	1	
33	63D-82563-10-00	TRIM & TILT SWITCH ASSY	1	PTT
34	6E5-82587-00-00	GASKET	1	PTT
35	6R3-83614-00-00	BRACKET	1	PTT
36	97095-06016-00	BOLT	2	PTT

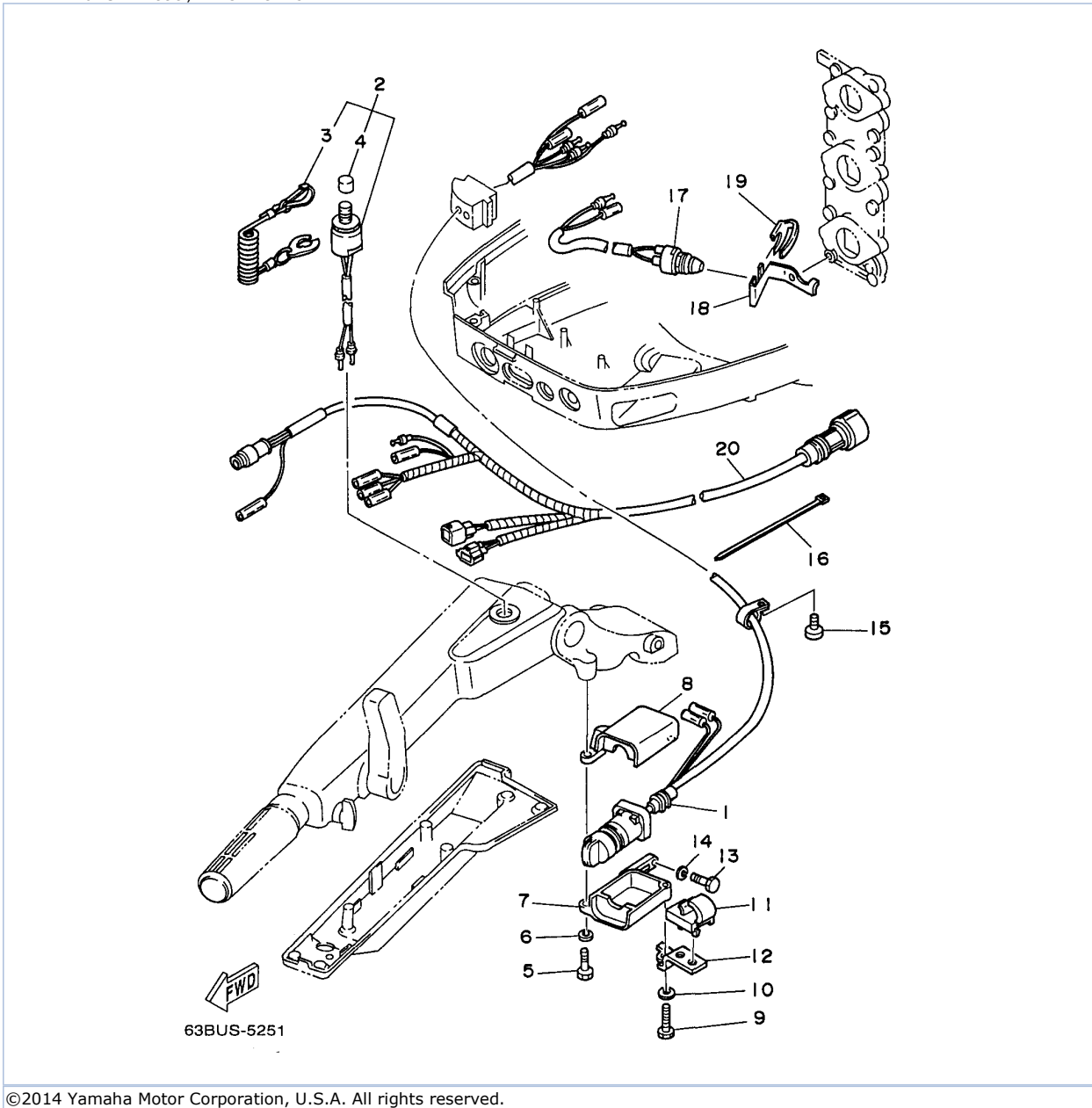
Part Notes

40MSHW 1998 / ELECTRICAL 2 ELECTRIC START

PART NUMBER	NOTE TEXT
92990-06600-00 	OEM: This part number is among the Top 100 Most Popular Marine Maintenance Parts as of March 2014.

©2014 Yamaha Motor Corporation, U.S.A. All rights reserved.

40MSHW 1998 / ELECTRICAL 3 TILLER HANDLE





Part List

40MSHW 1998 / ELECTRICAL 3 TILLER HANDLE

REF - NO	PART NUMBER	PART NAME	QUANTITY	REMARKS
1	6H5-82510-00-00	MAIN SWITCH ASSY	1	
2	6K5-82575-02-00	ENGINE STOP SWITCH ASSY	1	UR M
2	63D-82575-00-00	ENGINE STOP SWITCH ASSY	1	UR
3	682-82556-00-00	.LANYARD, STOP SWITCH	1	
4	689-8257Y-00-00	.CAP	1	
5	97095-06025-00	BOLT	1	
6	92995-06100-00	WASHER, SPRING	1	
7	63D-8252F-01-4D	COVER, MAIN SWITCH 2	1	
8	63D-8252E-01-4D	COVER, MAIN SWITCH	1	
9	97095-06030-00	BOLT	1	
10	92990-06600-00	WASHER, PLATE	1	
11	63D-24367-00-00	CLAMP, FUEL PIPE 2	1	
12	63D-24364-00-00	STAY	1	
13	97095-06020-00	BOLT	1	
14	92995-06100-00	WASHER, SPRING	1	
15	97885-06012-00	SCREW, PAN HEAD	1	
16	90465-13M36-00	CLAMP	1	
17	688-82540-11-00	NEUTRAL SWITCH ASSY	1	
18	63D-82554-00-00	STAY, NEUTRAL SWITCH	1	
19	663-82555-01-00	DAMPER, MAIN SWITCH 1	1	
20	63D-82586-00-00	EXTENSION, WIRE HARNESS	1	

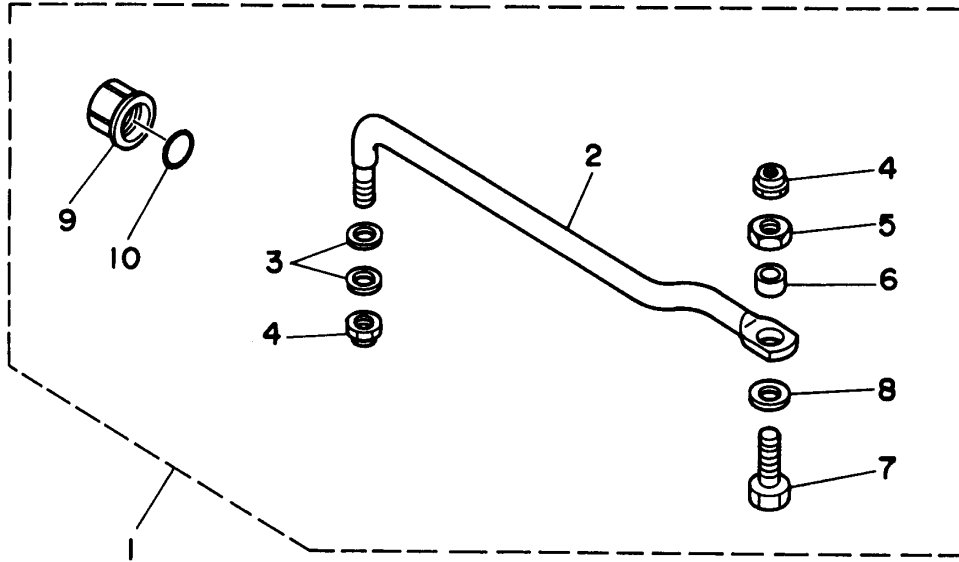
Part Notes

40MSHW 1998 / ELECTRICAL 3 TILLER HANDLE

PART NUMBER		NOTE TEXT
682-82556-00-00		OEM: This part number is among the Top 100 Most Popular Marine Maintenance Parts as of March 2014.
92990-06600-00		OEM: This part number is among the Top 100 Most Popular Marine Maintenance Parts as of March 2014.

©2014 Yamaha Motor Corporation, U.S.A. All rights reserved.

40MSHW 1998 / ALTERNATE 1 STEERING GUIDE ATTACHMENT



63CJA-5260

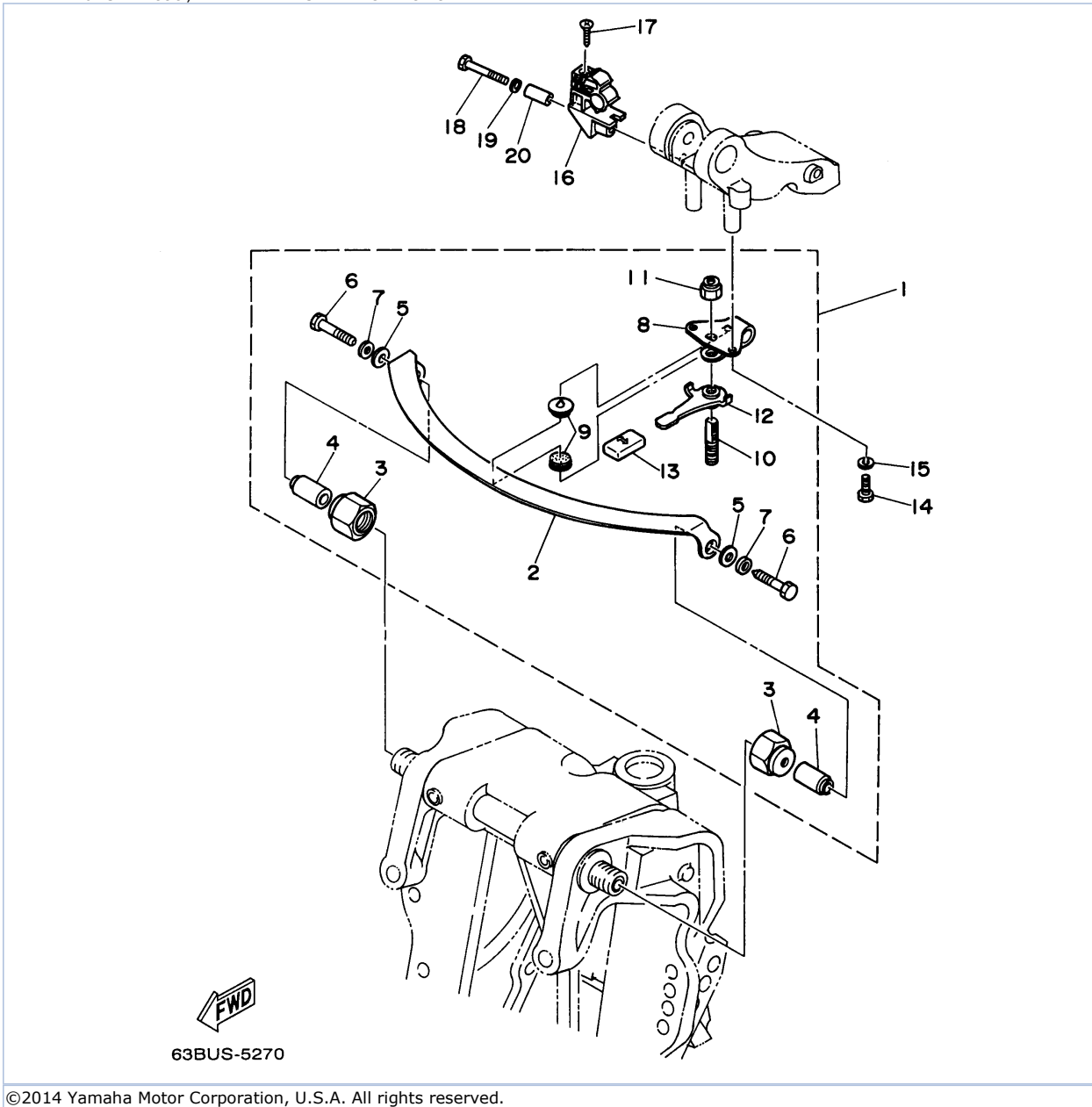
©2014 Yamaha Motor Corporation, U.S.A. All rights reserved.

Part List

40MSHW 1998 / ALTERNATE 1 STEERING GUIDE ATTACHMENT

REF - NO	PART NUMBER	PART NAME	QUANTITY	REMARKS
1	63D-61350-00-00	STEERING GUIDE ATTACHMENT KIT	1	
2	63D-61351-00-00	.ROD, STEERING LINK	1	
3	90201-10M20-00	.WASHER, PLATE	2	
4	90185-09M01-00	.NUT, SELF-LOCKING	2	
5	90170-09M03-00	.NUT	1	
6	90387-10M42-00	.COLLAR	1	
7	90101-09M01-00	.BOLT	1	
8	90201-10M63-00	.WASHER, PLATE	1	
9	6E5-43145-00-00	.CAP, CLAMP BRACKET	1	
10	93210-16275-00	.O-RING	1	

40MSHW 1998 / ALTERNATE 2 STEERING FRICTION




Part List

40MSHW 1998 / ALTERNATE 2 STEERING FRICTION

REF - NO	PART NUMBER	PART NAME	QUANTITY	REMARKS
1	63D-42508-00-00	STEERING FRICTION ASSY	1	
2	63D-42527-00-00	.PLATE, FRICTION	1	
3	63D-42546-00-00	.NUT	2	
4	63D-42541-00-00	.PIPE 1	2	
5	90201-08M01-00	.WASHER, PLATE	2	
6	97395-08050-00	.BOLT	2	
7	92995-08600-00	.WASHER	2	
8	63D-42526-00-00	.PLATE, FRICTION	1	
9	63D-42528-00-00	.PLATE, FRICTION	2	
10	63D-42562-00-00	.SHAFT, STEERING LOCK	1	
11	90185-10M01-00	.NUT, SELF-LOCKING	1	
12	63D-42561-00-00	.KNOB, STEERING LOCK	1	
13	682-43318-01-00	.COVER	1	
14	97095-06016-00	BOLT	2	
15	92995-06100-00	WASHER, SPRING	2	
16	63D-82361-00-00	CLAMP, CORD	1	
17	90161-06M00-00	SCREW, TAPPING	1	
18	97095-06035-00	BOLT	1	
19	92990-06600-00	WASHER, PLATE	1	
20	90387-06M26-00	COLLAR	1	

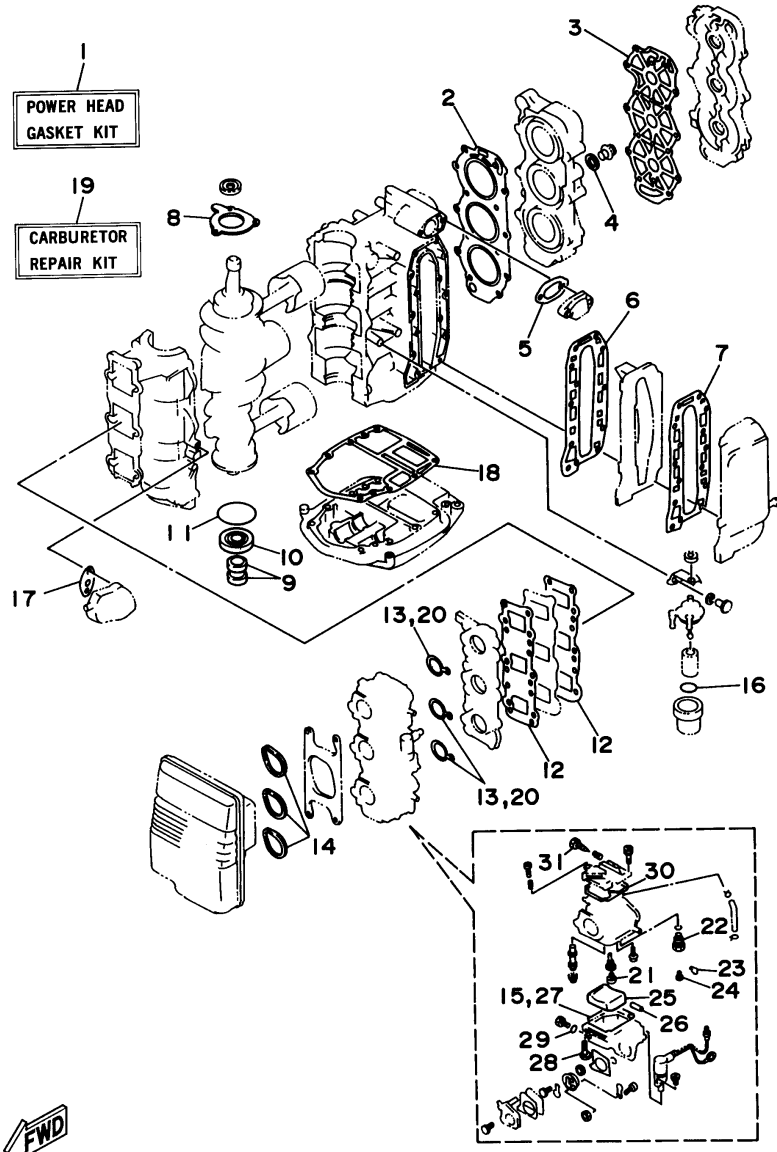
Part Notes

40MSHW 1998 / ALTERNATE 2 STEERING FRICTION

PART NUMBER	NOTE TEXT
92990-06600-00 	OEM: This part number is among the Top 100 Most Popular Marine Maintenance Parts as of March 2014.

©2014 Yamaha Motor Corporation, U.S.A. All rights reserved.

40MSHW 1998 / REPAIR KIT 1



63CJA-5270

©2014 Yamaha Motor Corporation, U.S.A. All rights reserved.



Part List

40MSHW 1998 / REPAIR KIT 1

REF - NO	PART NUMBER	PART NAME	QUANTITY	REMARKS
1	63D-W0001-00-00	POWER HEAD GASKET KIT	1	
2	63D-11181-A1-00	.GASKET, CYLINDER HEAD 1	1	
3	63D-11193-A0-00	.GASKET, HEAD COVER 1	1	
4	90430-14115-00	.GASKET	1	
5	61A-12414-A0-00	.GASKET, COVER	1	
6	6H4-41112-A0-00	.GASKET, EXHAUST INNER COVER	1	
7	6H4-41114-A0-00	.GASKET, EXHAUST COVER	1	
8	6H4-15369-A1-00	.GASKET, OIL SEAL HOUSING	1	
9	93101-16M36-00	.OIL SEAL	2	
10	93102-25M28-00	.OIL SEAL	1	
11	93210-58M21-00	.O-RING	1	
12	6H4-13621-A1-00	.GASKET, VALVE SEAT	2	
13	6H4-14198-01-00	.GASKET	3	
14	6H3-14457-01-00	.SEAL	3	
15	6H4-14984-00-00	.GASKET, FLOAT CHAMBER	3	
16	93210-32738-00	.O-RING	1	
17	650-24431-A0-00	.GASKET, FUEL PUMP 1	1	
18	6H4-45113-A0-00	.GASKET, UPPER CASING	1	
19	6H4-W0093-03-00	CARBURETOR REPAIR KIT	1	
20	6H4-14198-01-00	.GASKET	3	
21	676-14966-00-00	.CAP	3	
22	6H4-14590-00-00	.NEEDLE VALVE ASSY	3	
23	663-14159-00-00	.CLIP	3	
24	676-14186-00-00	.PIN, FLOAT	3	
25	6H4-14985-01-00	.FLOAT	3	
26	6H4-14548-00-00	.PIN, FLOAT ARM	3	
27	6H4-14984-00-00	.GASKET, FLOAT CHAMBER	3	
28	97980-04114-00	.SCREW, WITH WASHER	3	
29	93210-04230-00	.O-RING	3	
30	6H4-14147-00-00	.O-RING	3	
31	692-14923-00-00	.SCREW, PILOT	3	

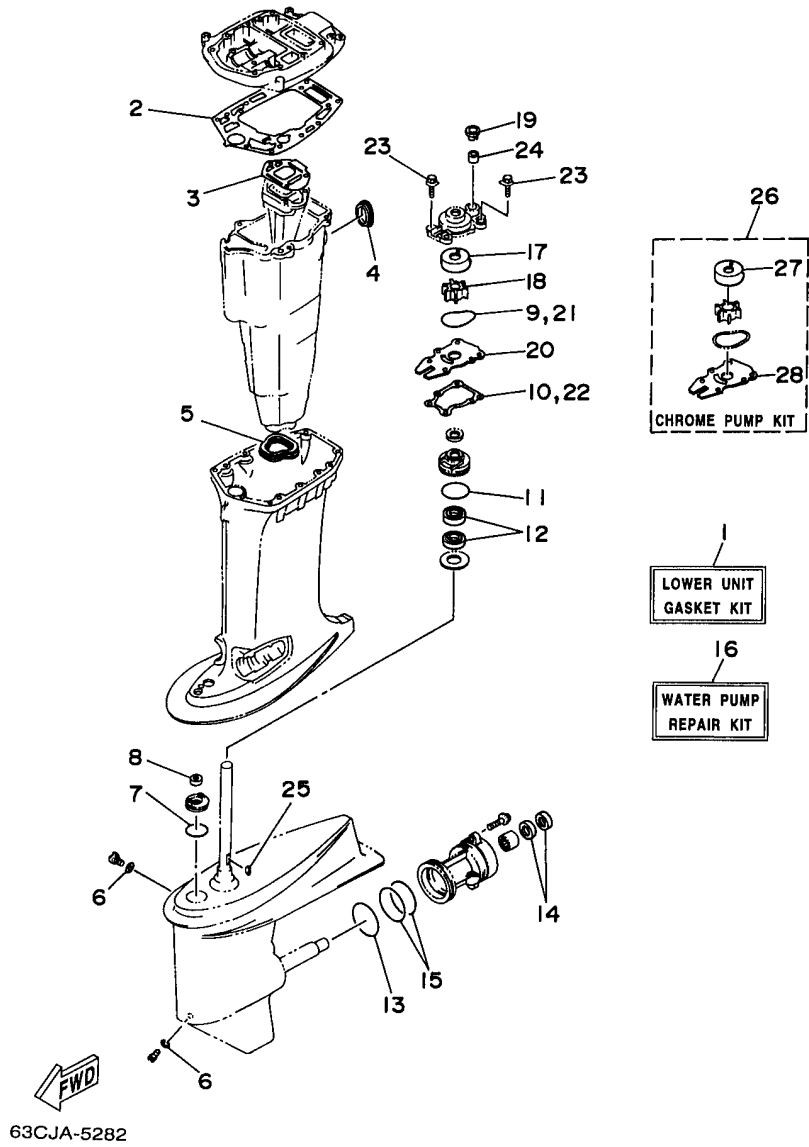
Part Notes

40MSHW 1998 / REPAIR KIT 1

PART NUMBER	NOTE TEXT
61A-12414-A0-00 	OEM: This part number is among the Top 100 Most Popular Marine Maintenance Parts as of March 2014.
650-24431-A0-00 	OEM: This part number is among the Top 100 Most Popular Marine Maintenance Parts as of March 2014.

©2014 Yamaha Motor Corporation, U.S.A. All rights reserved.

40MSHW 1998 / REPAIR KIT 2



©2014 Yamaha Motor Corporation, U.S.A. All rights reserved.





Part List

40MSHW 1998 / REPAIR KIT 2

REF - NO	PART NUMBER	PART NAME	QUANTITY	REMARKS
1	63D-W0001-20-00	LOWER UNIT GASKET KIT	1	
2	63D-45114-A0-00	.GASKET, UPPER CASING	1	
3	6H4-41134-A0-00	.GASKET, EXHAUST MANIFOLD	1	
4	6H3-45127-00-00	.SEAL	1	
5	63D-45123-00-00	.GASKET, MUFFLER	1	
6	90430-08020-00	.GASKET	2	
7	93210-33MG4-00	.O-RING	1	
8	93106-09014-00	.OIL SEAL	1	
9	93210-59MG7-00	.O-RING	1	
10	63D-44316-00-00	.GASKET, WATER PUMP	1	
11	93210-48MG8-00	.O-RING	1	
12	93101-25M57-00	.OIL SEAL	2	
13	93210-69MG6-00	.O-RING	1	
14	93101-22M00-00	.OIL SEAL	2	
15	93210-74MG5-00	.O-RING	2	
16	63D-W0078-01-00	WATER PUMP REPAIR KIT	1	
17	63D-44322-00-00	.INSERT, CARTRIDGE	1	
18	6H3-44352-00-00	.IMPELLER	1	
19	63D-44312-00-00	.COVER, WATER PUMP HOUSING	1	
20	63D-44323-00-00	.OUTER PLATE, CARTRIDGE	1	
21	93210-59MG7-00	.O-RING	1	
22	63D-44316-00-00	.GASKET, WATER PUMP	1	
23	90119-08M15-00	.BOLT, WITH WASHER	4	
24	663-44366-00-00	.DAMPER, WATER SEAL 2	1	
25	90280-03024-00	.KEY, WOODRUFF	1	
26	63D-W0078-0A-00	CHROME PUMP KIT	1	
27	63D-44322-40-00	.INSERT, CARTRIDGE	1	
28	63D-44323-40-00	.OUTER PLATE, CARTRIDGE	1	

Part Notes

40MSHW 1998 / REPAIR KIT 2

PART NUMBER		NOTE TEXT
90430-08020-00		OEM: This part number is among the Top 100 Most Popular Marine Maintenance Parts as of March 2014.
93106-09014-00		OEM: This part number is among the Top 100 Most Popular Marine Maintenance Parts as of March 2014.
63D-W0078-01-00		OEM: This part number is among the Top 100 Most Popular Marine Maintenance Parts as of March 2014.
6H3-44352-00-00		OEM: This part number is among the Top 100 Most Popular Marine Maintenance Parts as of March 2014.

©2014 Yamaha Motor Corporation, U.S.A. All rights reserved.

©2014 Yamaha Motor Corporation, U.S.A. All rights reserved.