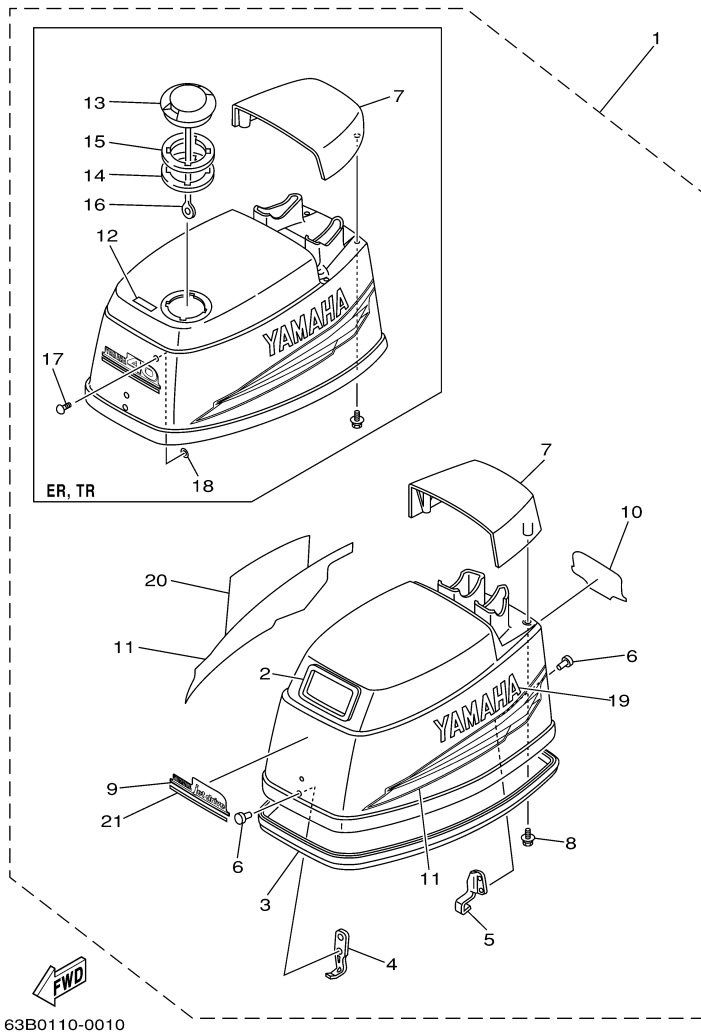


40MLHY 2000 / TOP COWLING



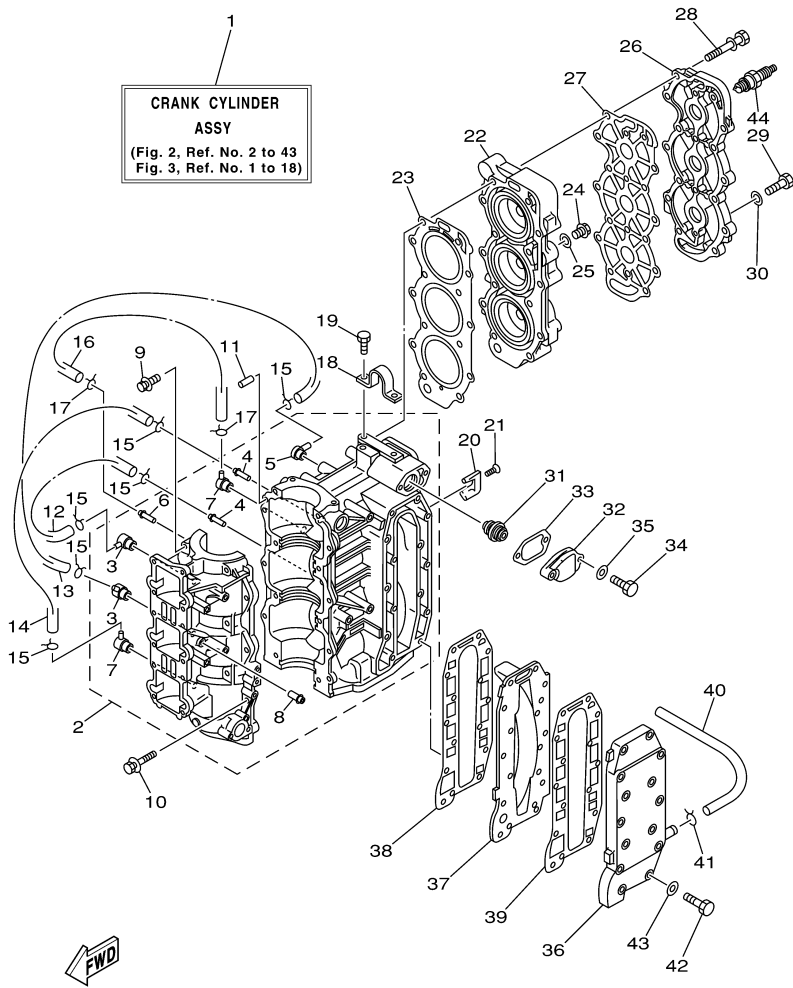
©2014 Yamaha Motor Corporation, U.S.A. All rights reserved.

Part List

40MLHY 2000 / TOP COWLING

| REF - NO | PART NUMBER | PART NAME | QUANTITY | REMARKS |
|----------------|-----------------|--------------------|----------|-----------------------|
| 1 | 63D-42610-40-4D | TOP COWLING ASSY | 1 | UR 40TR(E) |
| 1 | 63B-42610-P0-4D | TOP COWLING ASSY | 1 | UR 40MH JET DRIVE (M) |
| 2 | 6H4-15761-00-00 | .SEAL, RUBBER 1 | 1 | (M) |
| 3 | 6H4-42615-00-00 | .SEAL | 1 | |
| 4 | 6H4-42651-00-00 | .HOOK | 1 | |
| 5 | 6H4-42652-00-00 | .HOOK | 1 | |
| 6 | 90266-04M01-00 | .RIVET | 4 | |
| 7 | 6H4-42613-11-4D | .MOLDING, AIR DUCT | 1 | UR 40TR,50ER(E) |
| 7 | 6H4-42613-01-4D | .MOLDING, AIR DUCT | 1 | UR 40MH (M) |
| 8 | 90119-06M99-00 | .BOLT, WITH WASHER | 4 | |
| 9 | 63D-42677-P1-00 | .GRAPHIC, FRONT | 1 | UR JET DRIVE |
| 9 | 63D-42677-11-00 | .GRAPHIC, FRONT | 1 | UR 40TR(E) |
| 10 | 63D-42678-P1-00 | .GRAPHIC, REAR | 1 | UR JET DRIVE |
| 10 | 63D-42678-11-00 | .GRAPHIC, REAR | 1 | UR 40TR(E) |
| 11 | 63D-W0070-10-00 | .GRAPHIC SET | 1 | |
| 12 | 63D-13436-40-00 | .MARK | 1 | 40TR,50ER(E) |
| 13 | 63D-2177H-00-00 | .DISK CAP 2 | 1 | 40TR,50ER(E) |
| 14 | 6H3-21732-00-00 | .SEAL 1 | 1 | 40TR,50ER(E) |
| 15 | 6H3-21735-00-00 | .SEAL 2 | 1 | 40TR,50ER(E) |
| 16 | 6H1-42694-00-00 | .BAND | 1 | 40TR,50ER(E) |
| 17 | 90338-05M03-00 | .PLUG | 1 | 40TR,50ER(E) |
| 18 | 90183-05M06-00 | .NUT, SPRING | 1 | 40TR,50ER(E) |
| 19 | 63D-42681-10-00 | .MARK, COWLING | 1 | |
| 20 | 63D-42682-10-00 | .MARK, COWLING | 1 | |
| 21 | 63D-42683-20-00 | .MARK, COWLING | 1 | |

40MLHY 2000 / CYLINDER CRANKCASE



63D0100-0020

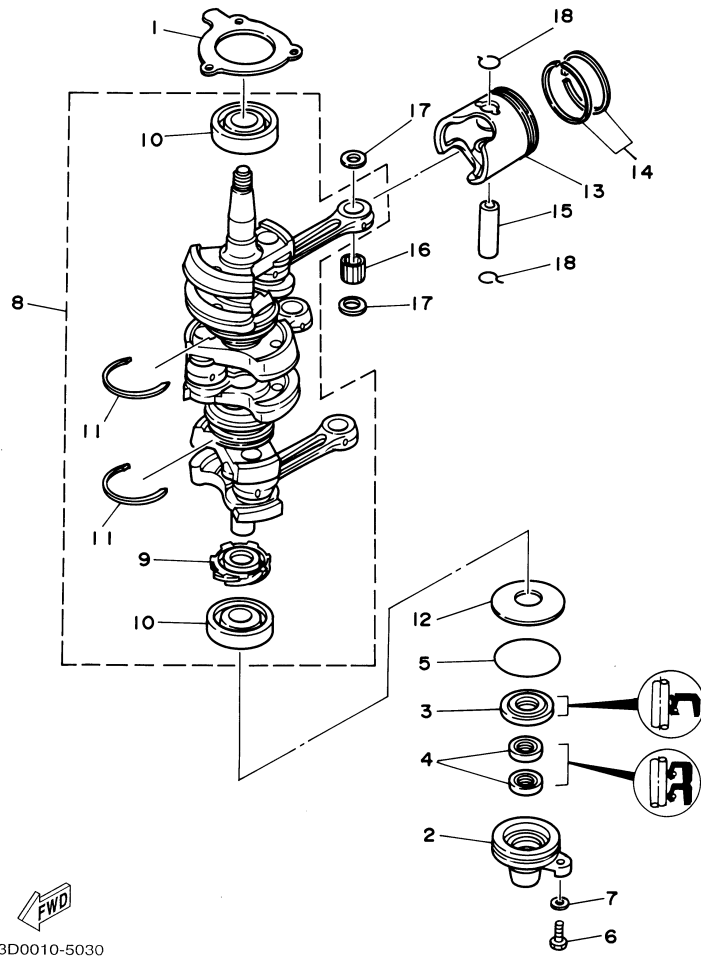
©2014 Yamaha Motor Corporation, U.S.A. All rights reserved.

Part List

40MLHY 2000 / CYLINDER CRANKCASE

| REF - NO | PART NUMBER | PART NAME | QUANTITY | REMARKS |
|----------|-----------------|------------------------------|----------|--------------------|
| 1 | 63D-W0090-30-4D | CRANK CYLINDER ASSY | 1 | UR UR 40MH (M) |
| 1 | 63D-W0090-10-4D | CRANK CYLINDER ASSY | 1 | UR UR 40TR,50ER(E) |
| 2 | 6H4-15100-30-94 | CRANKCASE ASSY | 1 | UR UR 40MH (M) |
| 2 | 6H4-15100-13-94 | CRANKCASE ASSY | 1 | UR UR 40TR,50ER(E) |
| 3 | 650-11370-00-00 | .CHECK VALVE ASSY | 2 | |
| 4 | 624-14485-00-00 | .PIPE, JOINT | 2 | |
| 5 | 6H4-11372-00-00 | .NIPPLE, HOSE | 1 | |
| 6 | 624-14485-00-00 | .PIPE, JOINT | 1 | |
| 7 | 688-11370-00-00 | .CHECK VALVE ASSY | 2 | |
| 8 | 650-24378-00-00 | .PIPE, JOINT 4 | 1 | (E) |
| 9 | 90119-08M19-00 | BOLT, WITH WASHER | 8 | |
| 10 | 90119-06M13-00 | BOLT, WITH WASHER | 6 | |
| 11 | 93606-12019-00 | .PIN, DOWEL | 2 | |
| 12 | 90445-07M46-00 | HOSE (L360) | 1 | |
| 13 | 90445-07M27-00 | HOSE (L310) | 1 | |
| 14 | 90445-07M24-00 | HOSE (L240) | 1 | |
| 15 | 90467-06016-00 | CLIP | 6 | |
| 16 | 90445-07MA3-00 | HOSE (L200) | 1 | |
| 17 | 90467-06016-00 | CLIP | 2 | |
| 18 | 6H4-11119-00-00 | HANGER, ENGINE | 1 | |
| 19 | 97013-06014-00 | BOLT | 2 | |
| 20 | 688-11325-00-00 | ANODE | 2 | |
| 21 | 98780-04016-00 | SCREW, FLAT HEAD | 2 | |
| 22 | 63D-11111-00-94 | HEAD, CYLINDER 1 | 1 | |
| 23 | 63D-11181-A1-00 | .GASKET, CYLINDER HEAD 1 | 1 | |
| 24 | 90340-14M00-00 | .PLUG, STRAIGHT SCREW | 1 | |
| 25 | 90430-14115-00 | .GASKET | 1 | |
| 26 | 63D-11191-00-9M | COVER, CYLINDER HEAD 1 | 1 | |
| 27 | 63D-11193-A0-00 | .GASKET, HEAD COVER 1 | 1 | |
| 28 | 90119-08M29-00 | BOLT, WITH WASHER | 14 | |
| 29 | 97013-06025-00 | BOLT | 4 | |
| 30 | 92903-06600-00 | WASHER, PLATE | 4 | |
| 31 | 6E5-12411-20-00 | THERMOSTAT | 1 | |
| 32 | 6H4-12413-00-9M | COVER, THERMOSTAT | 1 | |
| 33 | 6J8-12414-A0-00 | GASKET, COVER | 1 | |
| 34 | 97013-06025-00 | BOLT | 2 | |
| 35 | 92903-06600-00 | WASHER, PLATE | 2 | |
| 36 | 6H4-41113-00-9M | OUTER COVER, EXHAUST | 1 | |
| 37 | 6H4-41111-00-9M | INNER COVER, EXHAUST | 1 | |
| 38 | 6H4-41112-A0-00 | .GASKET, EXHAUST INNER COVER | 1 | |
| 39 | 6H4-41114-A0-00 | GASKET, EXHAUST COVER | 1 | |
| 40 | 90445-09M37-00 | HOSE (L240) | 1 | |
| 41 | 90467-08004-00 | CLIP | 1 | |
| 42 | 97013-06035-00 | BOLT | 13 | |
| 43 | 92903-06600-00 | WASHER, PLATE | 13 | |
| 44 | NGK-B7HS1-00-00 | PLUG, SPARK (NGK B7HS-10) | 3 | UR 40TR,40MH |

40MLHY 2000 / CRANKSHAFT PISTON



63D0010-5030


Part List

40MLHY 2000 / CRANKSHAFT PISTON

| REF - NO | PART NUMBER | PART NAME | QUANTITY | REMARKS |
|----------|-----------------|------------------------------|----------|---------|
| 1 | 6H4-15369-A1-00 | GASKET, OIL SEAL HOUSING | 1 | |
| 2 | 6H4-15396-03-5B | HOUSING, OIL SEAL | 1 | |
| 3 | 93102-25M28-00 | OIL SEAL | 1 | |
| 4 | 93104-16M01-00 | .OIL SEAL | 2 | |
| 5 | 93210-58M21-00 | .O-RING | 1 | |
| 6 | 97095-06020-00 | BOLT | 1 | |
| 7 | 92995-06600-00 | WASHER | 1 | |
| 8 | 6H4-11400-14-00 | CRANKSHAFT ASSY | 1 | |
| 9 | 6H4-11536-00-00 | .GEAR, DRIVE | 1 | |
| 10 | 93306-305U8-00 | .BEARING | 1 | |
| 11 | 93440-62057-00 | .CIRCLIP, OUTER | 1 | |
| 12 | 90201-50306-00 | WASHER, PLATE | 1 | |
| 13 | 6H4-11631-01-95 | PISTON (STD) | 3 | |
| 13 | 6H4-11635-01-00 | PISTON (0.25MM O/S) | 3 | AP |
| 13 | 6H4-11636-01-00 | PISTON (0.50MM O/S) | 3 | AP |
| 14 | 63D-11603-00-00 | PISTON RING SET (STD) | 3 | |
| 14 | 63D-11605-00-00 | PISTON RING SET (0.50MM O/S) | 3 | AP |
| 14 | 63D-11604-00-00 | PISTON RING SET (0.25MM O/S) | 3 | AP |
| 15 | 648-11633-00-00 | PIN, PISTON | 3 | |
| 16 | 93602-20M02-00 | PIN, DOWEL | 93 | |
| 17 | 6H4-11641-00-00 | WASHER, PISTON PIN | 6 | |
| 18 | 6H4-11634-01-00 | CLIP, PISTON PIN | 6 | |

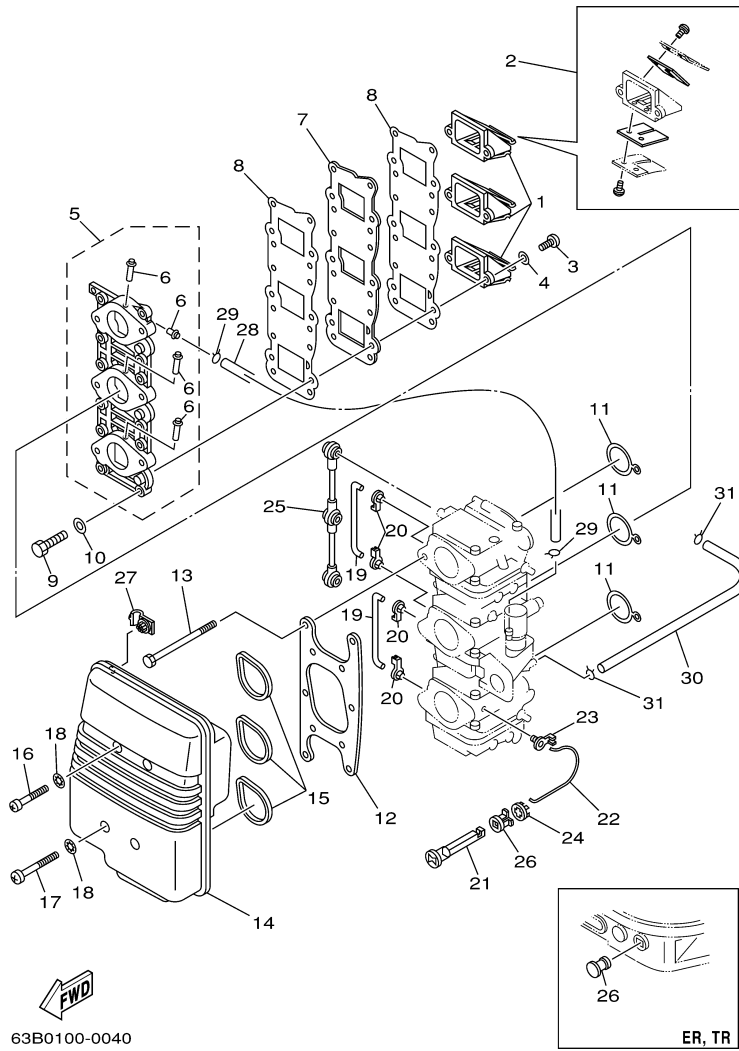
Part Notes

40MLHY 2000 / CRANKSHAFT PISTON

| PART NUMBER | NOTE TEXT |
|--|--|
| 93602-20M02-00  | OEM: This part number is among the Top 100 Most Popular Marine Maintenance Parts as of March 2014. |

©2014 Yamaha Motor Corporation, U.S.A. All rights reserved.

40MLHY 2000 / INTAKE



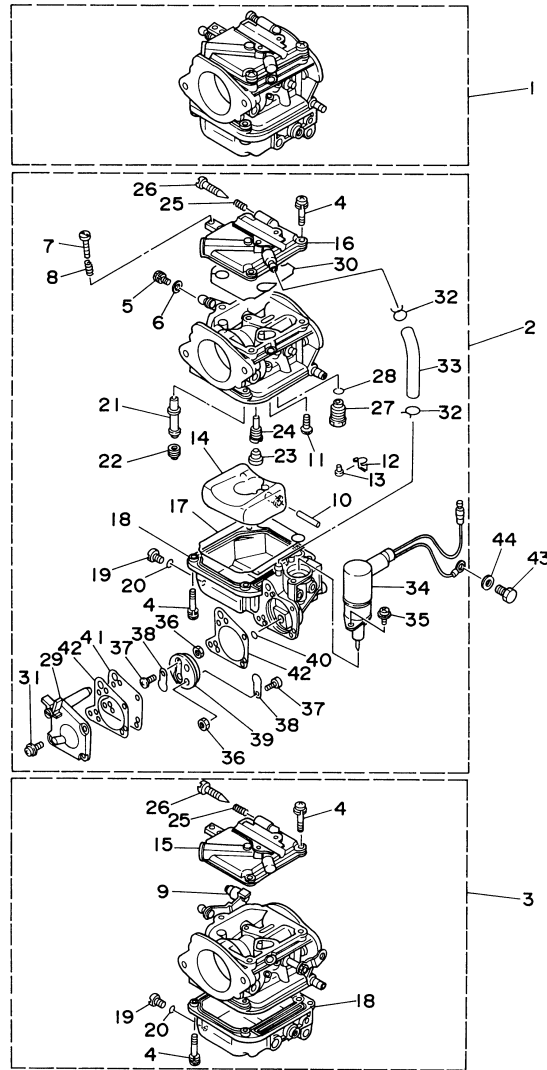
©2014 Yamaha Motor Corporation, U.S.A. All rights reserved.

Part List

40MLHY 2000 / INTAKE

| REF - NO | PART NUMBER | PART NAME | QUANTITY | REMARKS |
|----------------|-----------------|--------------------|----------|-----------------|
| 1 | 6H5-13610-00-00 | REED VALVE ASSY | 3 | |
| 2 | 6H4-W0004-00-00 | .REED SET | 1 | |
| 3 | 97880-05014-00 | .SCREW, PAN HEAD | 6 | |
| 4 | 92990-05600-00 | WASHER, PLATE | 6 | |
| 5 | 6H4-13641-12-94 | MANIFOLD 1 | 1 | UR 40TR,50ER(E) |
| 5 | 6H4-13641-30-94 | MANIFOLD 1 | 1 | UR 40MH (M) |
| 6 | 6H1-14485-00-00 | .PIPE, JOINT | 4 | UR 40TR,50ER(E) |
| 6 | 6H1-14485-00-00 | .PIPE, JOINT | 3 | UR 40MH (M) |
| 7 | 6H4-13624-01-94 | PLATE,REED VALVE | 1 | |
| 8 | 6H4-13621-A1-00 | GASKET, VALVE SEAT | 2 | |
| 9 | 97013-06020-00 | BOLT | 12 | |
| 10 | 92903-06600-00 | WASHER, PLATE | 12 | |
| 11 | 6H4-14198-01-00 | .GASKET | 3 | |
| 12 | 6H4-14406-00-00 | HINGE | 1 | |
| 13 | 97095-06095-00 | BOLT | 6 | |
| 14 | 6H4-14431-13-00 | SILENCER, INTAKE 1 | 1 | UR 40MH (M) |
| 14 | 6H4-14431-02-00 | SILENCER, INTAKE 1 | 1 | UR 40TR,50ER(E) |
| 15 | 6H3-14457-01-00 | SEAL | 3 | |
| 16 | 97885-06040-00 | SCREW, PAN HEAD | 2 | |
| 17 | 97885-06055-00 | SCREW, PAN HEAD | 2 | |
| 18 | 90209-06M05-00 | WASHER | 4 | |
| 19 | 6H4-41257-00-00 | ROD, CHOKE 2 | 2 | 40MH (M) |
| 20 | 661-41262-02-00 | JOINT, CHOKE LEVER | 4 | 40MH (M) |
| 21 | 6H4-41271-01-00 | KNOB, CHOKE | 1 | 40MH (M) |
| 22 | 6H4-41259-01-00 | ROD, CHOKE 3 | 1 | 40MH (M) |
| 23 | 6J8-41262-00-00 | JOINT, CHOKE LEVER | 1 | 40MH (M) |
| 24 | 6J8-41274-00-00 | GROMMET 2 | 1 | 40MH (M) |
| 25 | 6H4-41217-01-00 | ROD, ACCEL. LEVER | 1 | |
| 26 | 6G1-42748-00-00 | GROMMET | 1 | UR 40TR,50ER(E) |
| 26 | 689-41273-00-00 | GROMMET | 1 | UR 40MH (M) |
| 27 | 90464-06M19-00 | CLAMP | 1 | 40MH (M) |
| 28 | 90445-07MA5-00 | HOSE (L150) | 1 | 40TR,50ER(E) |
| 29 | 90467-06016-00 | CLIP | 2 | 40TR,50ER(E) |
| 30 | 6H3-14349-00-00 | .PIPE | 1 | 40TR,50ER(E) |
| 31 | 90467-08004-00 | CLIP | 2 | 40TR,50ER(E) |

40MLHY 2000 / CARBURETOR



FWD
63D0010-5050


Part List

40MLHY 2000 / CARBURETOR

| REF - NO | PART NUMBER | PART NAME | QUANTITY | REMARKS |
|----------|-----------------|------------------------|----------|---------------------|
| 1 | 63D-14301-00-00 | CARBURETOR ASSY 1 | 1 | UR 40TR(E) |
| 1 | 63B-14301-00-00 | CARBURETOR ASSY 1 | 1 | UR 40MH (M) |
| 2 | 63D-14302-00-00 | CARBURETOR ASSY 2 | 1 | UR 40TR(E) |
| 2 | 63B-14302-00-00 | CARBURETOR ASSY 2 | 1 | UR 40MH (M) |
| 3 | 63D-14303-00-00 | CARBURETOR ASSY 3 | 1 | UR 40TR(E) |
| 3 | 63B-14303-00-00 | CARBURETOR ASSY 3 | 1 | UR 40MH (M) |
| 4 | 97980-04114-00 | .SCREW, WITH WASHER | 21 | |
| 5 | 6K5-14592-00-00 | .SCREW | 3 | |
| 6 | 90201-05652-00 | .WASHER, PLATE | 3 | |
| 7 | 63V-14523-00-00 | .SCREW, STOP | 1 | 2 |
| 8 | 90501-10326-00 | .SPRING, COMPRESSION | 1 | 2 |
| 9 | 6H2-14578-00-00 | .COLLAR | 1 | 3 |
| 10 | 6H4-14548-00-00 | .PIN, FLOAT ARM | 3 | |
| 11 | 98580-04008-00 | .SCREW, PAN HEAD | 3 | |
| 12 | 663-14159-00-00 | .CLIP | 3 | |
| 13 | 676-14186-00-00 | .PIN, FLOAT | 3 | |
| 14 | 6H4-14985-01-00 | .FLOAT | 3 | |
| 15 | 6H4-14146-10-00 | .PLATE | 2 | 1,3 |
| 16 | 6H3-14146-10-00 | .PLATE | 1 | UR 40TR,50ER 2(E) |
| 16 | 6H4-14146-00-00 | .PLATE | 1 | UR 40MH 2 (M) |
| 17 | 6H4-14984-00-00 | .GASKET, FLOAT CHAMBER | 3 | |
| 18 | 6H4-14980-00-00 | .BODY, FLOAT CHAMBER | 2 | UR 40TR,50ER 1,3(E) |
| 18 | 6H3-14980-10-00 | .BODY, FLOAT CHAMBER | 1 | UR 40TR,50ER 2(E) |
| 18 | 6H4-14980-00-00 | .BODY, FLOAT CHAMBER | 3 | UR 40MH (M) |
| 19 | 6H3-14992-00-00 | .SCREW, DRAIN | 3 | |
| 20 | 93210-04230-00 | .O-RING | 3 | |
| 21 | 63D-14947-00-00 | .JET, NEEDLE | 3 | UR 40TR,40MH |
| 22 | 63D-14943-81-00 | .JET, MAIN (#118) | 1 | UR 40TR,40MH 2 |
| 22 | 676-14943-30-00 | .JET, MAIN (#115) | 2 | UR 40TR,40MH 1,3 |
| 23 | 676-14966-00-00 | .CAP | 3 | |
| 24 | 6H4-14948-11-00 | .JET (#60) | 3 | UR 40TR,40MH |
| 25 | 679-14555-00-00 | .SPRING | 3 | |
| 26 | 692-14923-00-00 | .SCREW, PILOT | 3 | |
| 27 | 6H4-14590-00-00 | .NEEDLE VALVE ASSY | 3 | |
| 28 | 93210-04228-00 | .O-RING | 3 | |
| 29 | 6H3-24452-10-00 | .COVER | 1 | 40TR,50ER(E) |
| 30 | 6H4-14147-00-00 | .O-RING | 3 | |
| 31 | 6H4-14567-00-00 | .SCREW | 4 | 40TR,50ER(E) |
| 32 | 6H3-14137-00-00 | .CLIP | 2 | 40TR,50ER(E) |
| 33 | 6H3-14349-00-00 | .PIPE | 1 | 40TR,50ER(E) |
| 34 | 63D-14380-00-00 | .PRIME STARTER ASSY | 1 | 40TR,50ER(E) |
| 35 | 97803-04010-00 | .SCREW, PAN HEAD | 2 | 40TR,50ER(E) |
| 36 | 95380-03600-00 | .NUT | 2 | 40TR,50ER(E) |
| 37 | 98980-03006-00 | .SCREW, BIND | 2 | 40TR,50ER(E) |
| 38 | 6L5-24421-00-00 | .VALVE, CHECK | 2 | 40TR,50ER(E) |
| 39 | 6H4-24413-00-00 | .BODY 2 | 1 | 40TR,50ER(E) |
| 40 | 6H4-24486-00-00 | .O-RING | 1 | 40TR,50ER(E) |
| 41 | 6H3-24411-10-00 | .DIAPHRAGM | 1 | 40TR,50ER(E) |
| 42 | 6H3-24434-10-00 | .GASKET, BODY | 2 | 40TR,50ER(E) |
| 43 | 97013-06012-00 | BOLT | 1 | 40TR,50ER(E) |
| 44 | 92903-06600-00 | WASHER, PLATE | 1 | 40TR,50ER(E) |

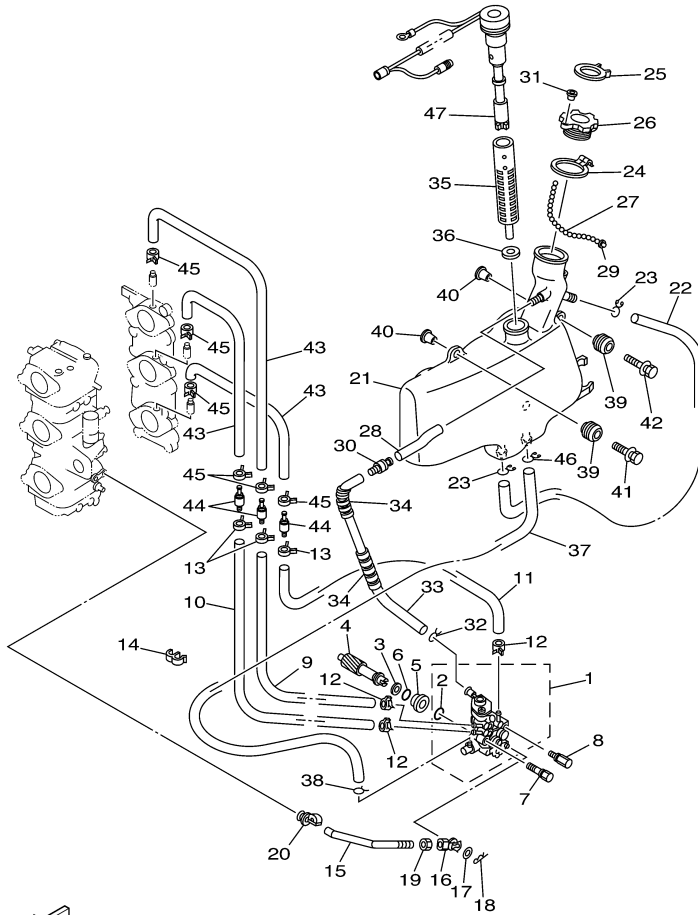
Part Notes

40MLHY 2000 / CARBURETOR

| PART NUMBER | NOTE TEXT |
|-------------------------|---|
| 63D- 14380- 00-00 |  OEM: The O-Ring for sealing this part to the carburetor body is not shown separately. The Part Number for the O-Ring is 93210-17001-00. |

©2014 Yamaha Motor Corporation, U.S.A. All rights reserved.

40MLHY 2000 / OIL PUMP 40MH




63B0100-0060

Part List

40MLHY 2000 / OIL PUMP 40MH

| REF - NO | PART NUMBER | PART NAME | QUANTITY | REMARKS |
|----------|-----------------|-------------------------|----------|---------|
| 1 | 63D-13200-00-00 | OIL INJECTION PUMP ASSY | 1 | (M) |
| 2 | 93210-19MA7-00 | .O-RING | 1 | (M) |
| 3 | 90201-08M93-00 | WASHER, PLATE | 1 | (M) |
| 4 | 6H4-11537-01-00 | GEAR, DRIVEN | 1 | (M) |
| 5 | 6H1-13117-01-00 | COLLAR, DISTANCE | 1 | (M) |
| 6 | 93210-13M04-00 | O-RING | 1 | (M) |
| 7 | 90109-06M39-00 | BOLT | 1 | (M) |
| 8 | 90109-06M40-00 | BOLT | 1 | (M) |
| 9 | 90445-07M44-00 | HOSE (L250) | 1 | (M) |
| 10 | 90445-07M23-00 | HOSE (L408) | 1 | (M) |
| 11 | 90445-07MA6-00 | HOSE (L90) | 1 | (M) |
| 12 | 90468-07M02-00 | CLIP | 3 | (M) |
| 13 | 90468-07M02-00 | CLIP | 3 | (M) |
| 14 | 90464-07M20-00 | CLAMP | 1 | (M) |
| 15 | 6H4-41241-01-00 | ROD, LINK | 1 | (M) |
| 16 | 6H1-41237-00-00 | JOINT, LINK | 1 | (M) |
| 17 | 90202-05088-00 | WASHER, PLATE | 1 | (M) |
| 18 | 90468-05M03-00 | CLIP | 1 | (M) |
| 19 | 95380-05600-00 | NUT | 1 | (M) |
| 20 | 6E9-41237-00-00 | JOINT, LINK | 1 | (M) |
| 21 | 63D-21707-10-00 | OIL TANK COMP. | 1 | (M) |
| 22 | 90445-11M15-00 | HOSE (L360) | 1 | (M) |
| 23 | 90467-11M08-00 | CLIP | 2 | (M) |
| 24 | 63D-2175R-00-00 | HOOK, BAND | 1 | (M) |
| 25 | 63D-2176M-00-00 | HOOK | 1 | (M) |
| 26 | 6H4-21770-00-00 | OIL TANK CAP ASSY | 1 | (M) |
| 27 | 90445-11M23-00 | HOSE (L85) | 1 | (M) |
| 28 | 6H4-21757-00-00 | WASHER, SPECIAL 1 | 1 | (M) |
| 29 | 63D-21744-00-00 | BREATHER | 1 | (M) |
| 30 | 6H4-24634-00-00 | HOOK, CHAIN BALL | 1 | (M) |
| 31 | 90467-10M04-00 | CLIP | 1 | (M) |
| 32 | 90445-11M17-00 | HOSE (L300) | 1 | (M) |
| 33 | 90446-10M01-00 | HOSE (L60) | 2 | (M) |
| 34 | 6H4-24633-00-00 | CHAIN, BALL | 1 | (M) |
| 35 | 6J8-13411-00-00 | STRAINER, OIL | 1 | (M) |
| 36 | 6J8-13414-00-00 | GASKET, STRAINER COVER | 1 | (M) |
| 37 | 6L2-13416-00-00 | PIPE, OIL 1 | 1 | (M) |
| 38 | 90467-08004-00 | CLIP | 1 | (M) |
| 39 | 6A0-82317-00-00 | DAMPER, IGNITION COIL | 3 | (M) |
| 40 | 624-42542-00-00 | PIPE | 3 | (M) |
| 41 | 90119-06M65-00 | BOLT, WITH WASHER | 2 | (M) |
| 42 | 90119-06M67-00 | BOLT, WITH WASHER | 1 | (M) |
| 43 | 90445-07M87-00 | HOSE (L110) | 3 | (M) |
| 44 | 6E9-13183-70-00 | VALVE, CHECK | 3 | (M) |
| 45 | 90468-07M02-00 | CLIP | 6 | (M) |
| 46 | 90467-11M08-00 | CLIP | 1 | (M) |
| 47 | 63D-85720-10-00 | OIL LEVEL GAUGE ASSY | 1 | (M) |

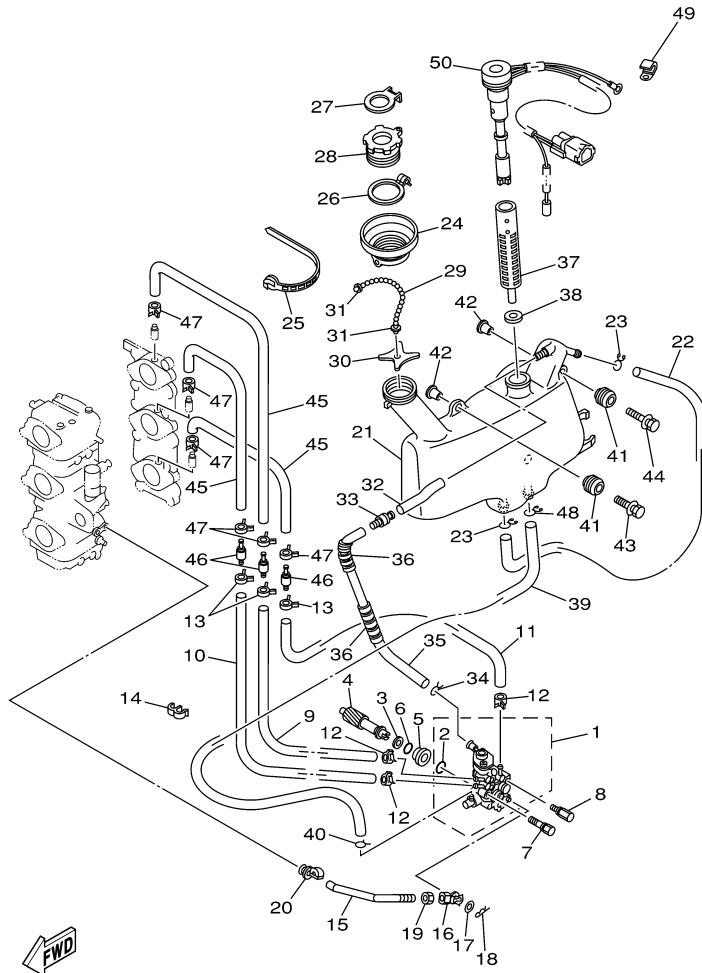
Part Notes

40MLHY 2000 / OIL PUMP 40MH

| PART NUMBER | NOTE TEXT |
|-----------------|--|
| 6H1-41237-00-00 | OEM: This part number is among the Top 100 Most Popular Marine Maintenance Parts as of March 2014. |

©2014 Yamaha Motor Corporation, U.S.A. All rights reserved.

40MLHY 2000 / OIL PUMP 2 40TR 50ER



63B0100-0070

©2014 Yamaha Motor Corporation, U.S.A. All rights reserved.

Part List

40MLHY 2000 / OIL PUMP 2 40TR 50ER

| REF - NO | PART NUMBER | PART NAME | QUANTITY | REMARKS |
|----------|-----------------|-------------------------|----------|---------|
| 1 | 63D-13200-00-00 | OIL INJECTION PUMP ASSY | 1 | (E) |
| 2 | 93210-19MA7-00 | .O-RING | 1 | (E) |
| 3 | 90201-08M93-00 | WASHER, PLATE | 1 | (E) |
| 4 | 6H4-11537-01-00 | GEAR, DRIVEN | 1 | (E) |
| 5 | 6H1-13117-01-00 | COLLAR, DISTANCE | 1 | (E) |
| 6 | 93210-13M04-00 | O-RING | 1 | (E) |
| 7 | 90109-06M39-00 | BOLT | 1 | (E) |
| 8 | 90109-06M40-00 | BOLT | 1 | (E) |
| 9 | 90445-07M44-00 | HOSE (L250) | 1 | (E) |
| 10 | 90445-07M23-00 | HOSE (L408) | 1 | (E) |
| 11 | 90445-07MA6-00 | HOSE (L90) | 1 | (E) |
| 12 | 90468-07M02-00 | CLIP | 3 | (E) |
| 13 | 90468-07M02-00 | CLIP | 3 | (E) |
| 14 | 90464-07M20-00 | CLAMP | 1 | (E) |
| 15 | 6H4-41241-01-00 | ROD, LINK | 1 | (E) |
| 16 | 6H1-41237-00-00 | JOINT, LINK | 1 | (E) |
| 17 | 90202-05088-00 | WASHER, PLATE | 1 | (E) |
| 18 | 90468-05M03-00 | CLIP | 1 | (E) |
| 19 | 95380-05600-00 | NUT | 1 | (E) |
| 20 | 6E9-41237-00-00 | JOINT, LINK | 1 | (E) |
| 21 | 63D-21707-00-00 | OIL TANK COMP. | 1 | (E) |
| 22 | 90445-11M15-00 | HOSE (L360) | 1 | (E) |
| 23 | 90467-11M08-00 | CLIP | 2 | (E) |
| 24 | 6H4-21752-00-00 | TUBE, FILLER 1 | 1 | (E) |
| 25 | 90465-13M30-00 | CLAMP | 1 | (E) |
| 26 | 63D-2175R-00-00 | HOOK, BAND | 1 | (E) |
| 27 | 63D-2176M-00-00 | HOOK | 1 | (E) |
| 28 | 6H4-21770-00-00 | OIL TANK CAP ASSY | 1 | (E) |
| 29 | 6H5-24633-00-00 | CHAIN, BALL | 1 | (E) |
| 30 | 6J8-21758-00-00 | WASHER, SPECIAL 2 | 1 | (E) |
| 31 | 6H1-21757-00-00 | WASHER, SPECIAL 1 | 2 | (E) |
| 32 | 90445-11M23-00 | HOSE (L85) | 1 | (E) |
| 33 | 63D-21744-00-00 | BREATHER | 1 | (E) |
| 34 | 90467-10M04-00 | CLIP | 1 | (E) |
| 35 | 90445-11M17-00 | HOSE (L300) | 1 | (E) |
| 36 | 90446-10M01-00 | HOSE (L60) | 2 | (E) |
| 37 | 6J8-13411-00-00 | STRAINER, OIL | 1 | (E) |
| 38 | 6J8-13414-00-00 | GASKET, STRAINER COVER | 1 | (E) |
| 39 | 6L2-13416-00-00 | PIPE, OIL 1 | 1 | (E) |
| 40 | 90467-08004-00 | CLIP | 1 | (E) |
| 41 | 6A0-82317-00-00 | DAMPER, IGNITION COIL | 3 | (E) |
| 42 | 624-42542-00-00 | PIPE | 3 | (E) |
| 43 | 90119-06M65-00 | BOLT, WITH WASHER | 2 | (E) |
| 44 | 90119-06M67-00 | BOLT, WITH WASHER | 1 | (E) |
| 45 | 90445-07M87-00 | HOSE (L110) | 3 | (E) |
| 46 | 6E9-13183-70-00 | VALVE, CHECK | 3 | (E) |
| 47 | 90468-07M02-00 | CLIP | 6 | (E) |
| 48 | 90467-11M08-00 | CLIP | 1 | (E) |
| 49 | 90465-06M86-00 | .CLAMP | 1 | (E) |
| 50 | 63D-85720-00-00 | OIL LEVEL GAUGE ASSY | 1 | (E) |

Part Notes

40MLHY 2000 / OIL PUMP 2 40TR 50ER

| PART NUMBER | NOTE TEXT |
|-------------|-----------|
|-------------|-----------|

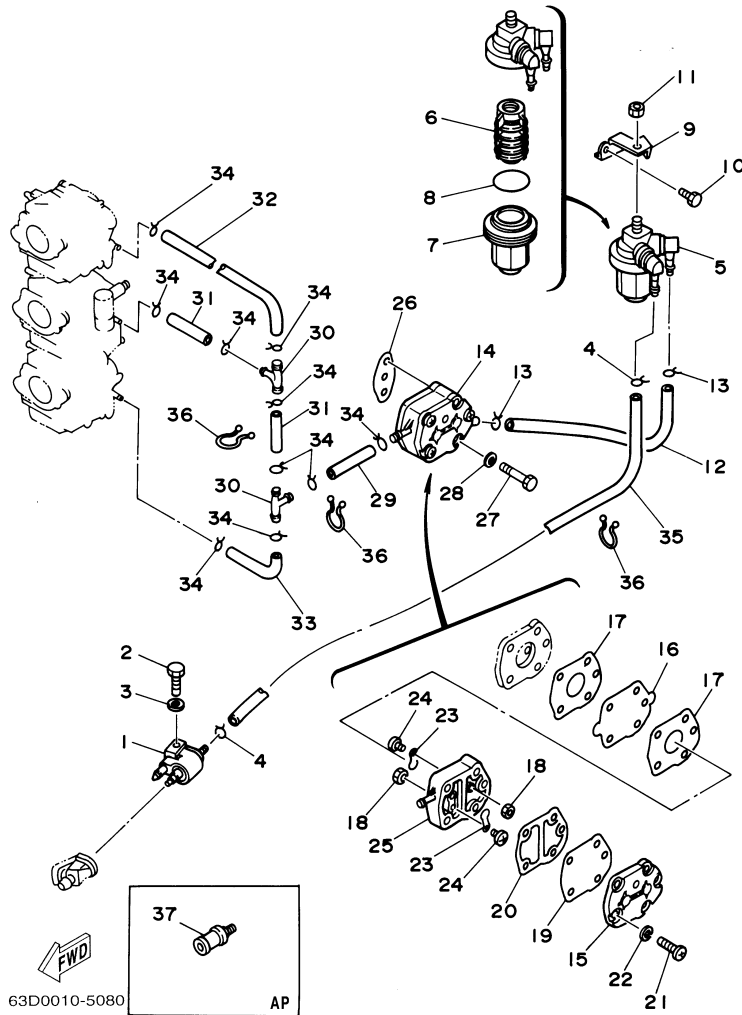
6H1-41237-00-00



OEM: This part number is among the Top 100 Most Popular Marine Maintenance Parts as of March 2014.

©2014 Yamaha Motor Corporation, U.S.A. All rights reserved.

40MLHY 2000 / FUEL



©2014 Yamaha Motor Corporation, U.S.A. All rights reserved.



Part List

40MLHY 2000 / FUEL

| REF - NO | PART NUMBER | PART NAME | QUANTITY | REMARKS |
|----------|-----------------|-------------------------|----------|-------------|
| 1 | 6G1-24304-02-00 | FUEL PIPE JOINT COMP. 1 | 1 | |
| 2 | 97095-06025-00 | BOLT | 1 | |
| 3 | 92995-06600-00 | WASHER | 1 | |
| 4 | 90467-08004-00 | CLIP | 2 | |
| 5 | 61N-24560-00-00 | FILTER ASSY | 1 | |
| 6 | 61N-24563-00-00 | .ELEMENT, FILTER | 1 | |
| 7 | 61N-24521-00-00 | .CUP, FILTER | 1 | |
| 8 | 93210-32738-00 | .O-RING | 1 | |
| 9 | 6H4-24566-01-00 | BRACKET, FILTER | 1 | |
| 10 | 97013-06014-00 | BOLT | 1 | |
| 11 | 95380-08600-00 | NUT | 1 | |
| 12 | 6H4-24314-00-00 | PIPE 4 | 1 | |
| 13 | 90467-08004-00 | CLIP | 2 | |
| 14 | 692-24410-00-00 | FUEL PUMP ASSY | 1 | |
| 15 | 6A0-24413-00-00 | .BODY 2 | 1 | |
| 16 | 692-24411-00-00 | .DIAPHRAGM | 1 | |
| 17 | 648-24434-01-00 | .GASKET, BODY | 2 | |
| 18 | 95380-03600-00 | .NUT | 2 | |
| 19 | 663-24411-00-00 | .DIAPHRAGM | 1 | |
| 20 | 648-24435-02-00 | .GASKET, BODY 2 | 1 | |
| 21 | 98503-05028-00 | .SCREW, PAN HEAD | 3 | |
| 22 | 92990-05100-00 | .WASHER, SPRING | 3 | |
| 23 | 6A0-24421-01-00 | .VALVE, CHECK | 2 | |
| 24 | 6A0-14325-00-00 | .SCREW, PAN HEAD | 2 | |
| 25 | 6A0-24412-02-00 | .BODY 1 | 1 | |
| 26 | 650-24431-A0-00 | GASKET, FUEL PUMP 1 | 1 | |
| 27 | 97095-06040-00 | .BOLT | 2 | |
| 28 | 92995-06600-00 | WASHER | 2 | |
| 29 | 90445-09063-00 | HOSE (L80) | 1 | |
| 30 | 688-24378-00-00 | PIPE, JOINT 3 | 2 | |
| 31 | 90445-09057-00 | HOSE (L43) | 2 | |
| 32 | 6H4-24313-00-00 | PIPE 3 | 1 | |
| 33 | 6H4-24312-00-00 | PIPE 2 | 1 | |
| 34 | 90467-08004-00 | CLIP | 10 | |
| 35 | 6H4-24311-00-00 | PIPE, FUEL 1 | 1 | |
| 36 | 90464-15M11-00 | CLAMP | 3 | |
| 37 | 6E0-28193-00-94 | PLUG, WATER CHECK | 1 | AP D:12.5MM |

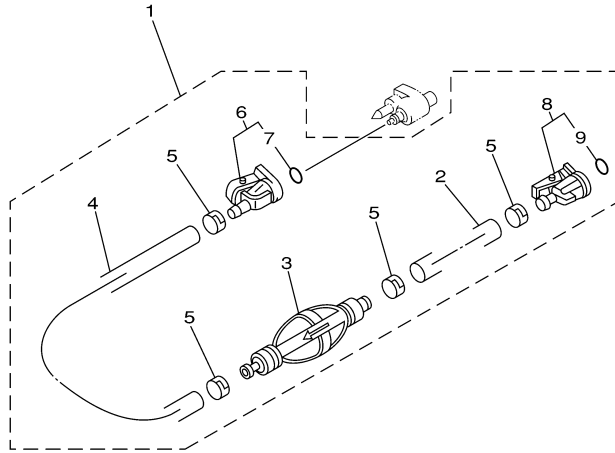
Part Notes

40MLHY 2000 / FUEL

| PART NUMBER | | NOTE TEXT |
|-----------------|---|--|
| 692-24410-00-00 |  | OEM: This part number is among the Top 100 Most Popular Marine Maintenance Parts as of March 2014. |
| 650-24431-A0-00 |  | OEM: This part number is among the Top 100 Most Popular Marine Maintenance Parts as of March 2014. |

©2014 Yamaha Motor Corporation, U.S.A. All rights reserved.

40MLHY 2000 / FUEL 2



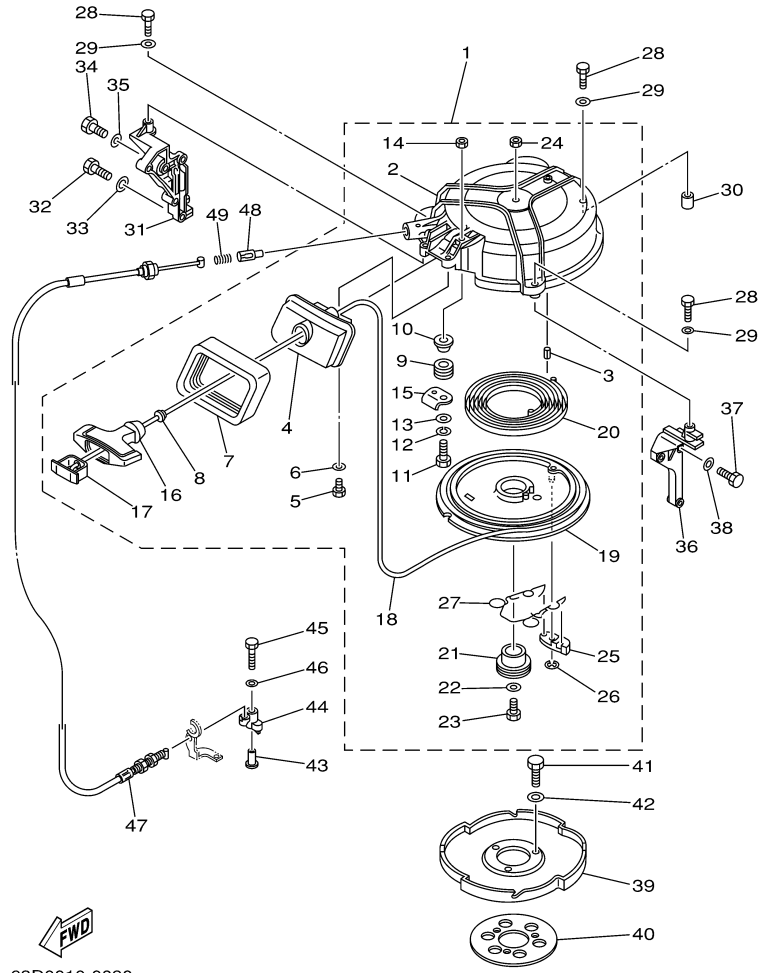
67C0100-0100

Part List

40MLHY 2000 / FUEL 2

| REF - NO | PART NUMBER | PART NAME | QUANTITY | REMARKS |
|----------------|-----------------|-------------------------|----------|---------|
| 1 | 6Y1-24306-52-00 | FUEL PIPE COMP. 1 | 1 | AP |
| 2 | 90445-11M06-00 | .HOSE (L2050) | 1 | |
| 3 | 6Y1-24360-51-00 | .PRIMER PUMP ASSY | 1 | |
| 4 | 90445-11M05-00 | .HOSE (L850) | 1 | |
| 5 | 650-24351-51-00 | .BAND 1 | 4 | |
| 6 | 6G1-24305-02-00 | .FUEL PIPE JOINT COMP 2 | 1 | |
| 7 | 93210-08287-00 | ..O-RING | 1 | |
| 8 | 6Y1-24305-03-00 | .FUEL PIPE JOINT COMP 2 | 1 | |
| 9 | 93210-08287-00 | ..O-RING | 1 | |

40MLHY 2000 / STARTER 40MH



63D0010-0090

©2014 Yamaha Motor Corporation, U.S.A. All rights reserved.

Part List



40MLHY 2000 / STARTER 40MH

| REF - NO | PART NUMBER | PART NAME | QUANTITY | REMARKS |
|----------|-----------------|---------------------------|----------|---------|
| 1 | 6H4-15710-04-4D | STARTER ASSY | 1 | (M) |
| 2 | 6H4-15711-02-94 | .CASE, STARTER | 1 | (M) |
| 3 | 91690-40018-00 | .PIN, SPRING | 1 | (M) |
| 4 | 6H4-15758-01-4D | .GUIDE, ROPE | 1 | (M) |
| 5 | 97095-06016-00 | .BOLT | 2 | (M) |
| 6 | 92990-06600-00 | .WASHER, PLATE | 2 | (M) |
| 7 | 6H4-15762-00-00 | .SEAL, RUBBER 2 | 1 | (M) |
| 8 | 6A0-15789-00-00 | .DAMPER | 1 | (M) |
| 9 | 6F5-15752-00-00 | .ROLLER, WIRE | 1 | (M) |
| 10 | 90387-06M69-00 | .COLLAR | 1 | (M) |
| 11 | 97095-06030-00 | .BOLT | 1 | (M) |
| 12 | 92995-06100-00 | .WASHER, SPRING | 1 | (M) |
| 13 | 92990-06600-00 | .WASHER, PLATE | 1 | (M) |
| 14 | 95380-06600-00 | .NUT, HEXAGON | 1 | (M) |
| 15 | 6H4-15787-01-00 | .STAY | 1 | (M) |
| 16 | 689-15755-01-00 | .HANDLE, STARTER | 1 | (M) |
| 17 | 6F5-15779-02-00 | .COVER | 1 | (M) |
| 18 | 905-8040M-02-00 | .ROPE, STARTER | 1 | (M) |
| 19 | 6H4-15714-00-00 | .DRUM, SHEAVE | 1 | (M) |
| 20 | 90510-08002-00 | .SPRING, SPIRAL | 1 | (M) |
| 21 | 6H4-15717-01-00 | .SHAFT, STARTER | 1 | (M) |
| 22 | 90201-065F3-00 | .WASHER, PLATE | 1 | (M) |
| 23 | 97095-06020-00 | .BOLT | 1 | (M) |
| 24 | 95380-06600-00 | .NUT, HEXAGON | 1 | (M) |
| 25 | 676-15741-03-00 | .PAWL, DRIVE | 1 | (M) |
| 26 | 93430-06M02-00 | .CIRCLIP | 1 | (M) |
| 27 | 6H4-15705-00-00 | .SPRING, DRIVE PAWL | 1 | (M) |
| 28 | 97095-06035-00 | BOLT | 3 | (M) |
| 29 | 92995-06600-00 | WASHER | 3 | (M) |
| 30 | 99530-10014-00 | PIN, DOWEL | 1 | (M) |
| 31 | 63D-15771-00-94 | STAY 1 | 1 | (M) |
| 32 | 97013-08025-00 | BOLT | 2 | (M) |
| 33 | 92903-08600-00 | WASHER, PLATE | 2 | (M) |
| 34 | 97013-06020-00 | BOLT | 1 | (M) |
| 35 | 92903-06600-00 | WASHER, PLATE | 1 | (M) |
| 36 | 6H4-15772-02-94 | STAY 2 | 1 | (M) |
| 37 | 97013-06025-00 | BOLT | 3 | (M) |
| 38 | 92903-06600-00 | WASHER, PLATE | 3 | (M) |
| 39 | 6H4-15723-01-94 | PULLEY, STARTER | 1 | (M) |
| 40 | 6J8-81365-A0-00 | GASKET, HOLE COVER | 1 | (M) |
| 41 | 97013-08020-00 | BOLT | 3 | (M) |
| 42 | 92903-08600-00 | WASHER, PLATE | 3 | (M) |
| 43 | 90387-06M66-00 | COLLAR | 1 | (M) |
| 44 | 63D-15746-00-00 | ARM | 1 | (M) |
| 45 | 97095-06040-00 | .BOLT | 1 | (M) |
| 46 | 92995-06600-00 | WASHER | 1 | (M) |
| 47 | 63D-15770-00-00 | CABLE COMP., STARTER STOP | 1 | (M) |
| 48 | 656-15748-00-00 | PLUNGER, STARTER STOP | 1 | (M) |
| 49 | 90501-10227-00 | SPRING, COMPRESSION | 1 | (M) |

Part Notes

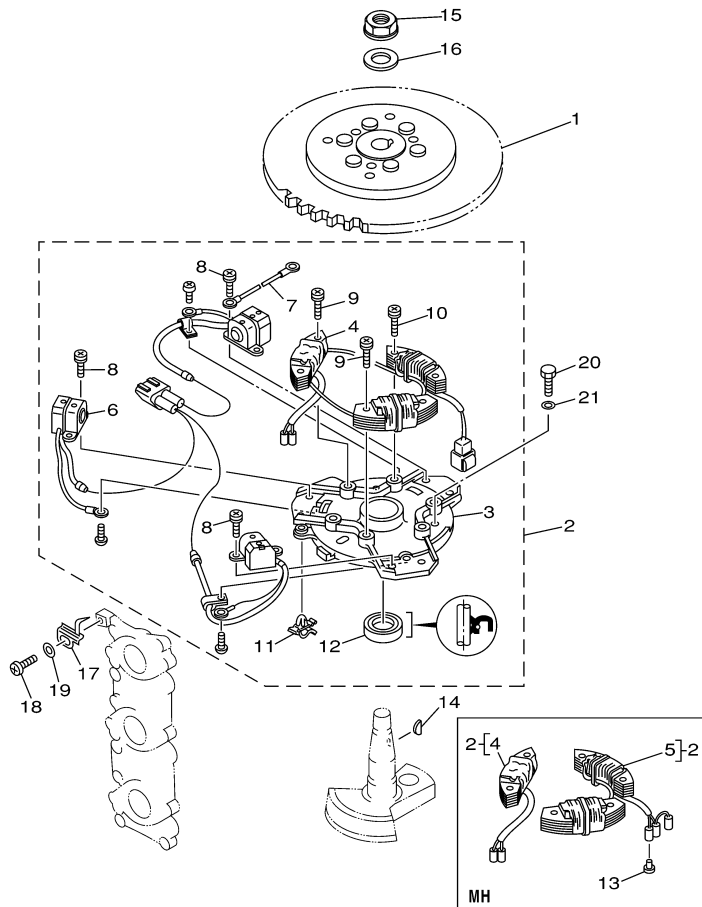
40MLHY 2000 / STARTER 40MH

| PART NUMBER | NOTE TEXT |
|-------------|-----------|
|-------------|-----------|

| | | |
|----------------|---|--|
| 92990-06600-00 |  | OEM: This part number is among the Top 100 Most Popular Marine Maintenance Parts as of March 2014. |
| 92990-06600-00 |  | OEM: This part number is among the Top 100 Most Popular Marine Maintenance Parts as of March 2014. |

©2014 Yamaha Motor Corporation, U.S.A. All rights reserved.

40MLHY 2000 / GENERATOR



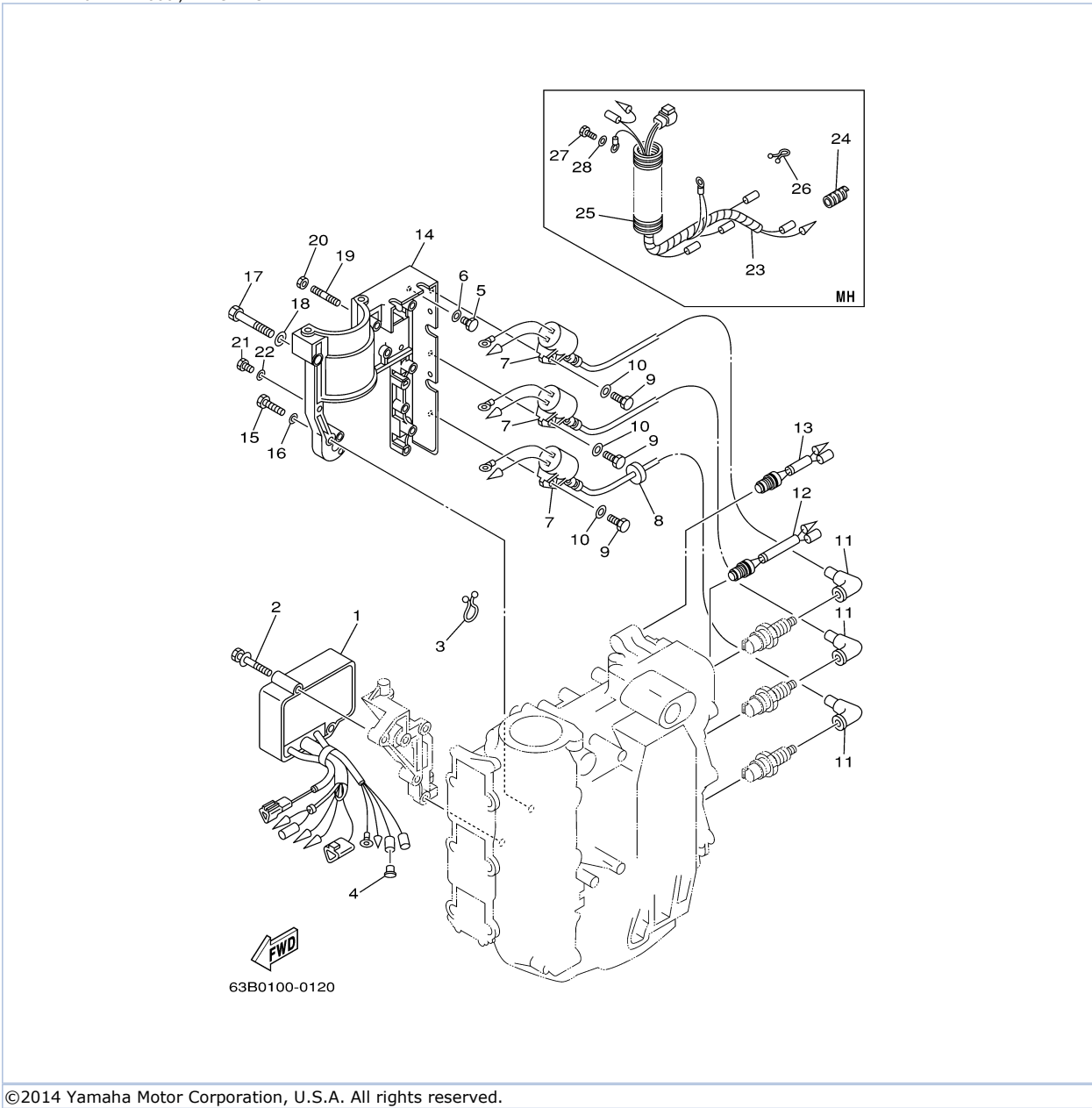

63D0100-0090

Part List

40MLHY 2000 / GENERATOR

| REF - NO | PART NUMBER | PART NAME | QUANTITY | REMARKS |
|----------------|-----------------|--------------------------------|----------|-----------------|
| 1 | 63D-85550-10-00 | ROTOR ASSY | 1 | UR 40MH (M) |
| 1 | 63D-85550-00-00 | ROTOR ASSY | 1 | UR 40TR,50ER(E) |
| 2 | 63D-85560-10-00 | BASE ASSY | 1 | UR 40TR,50ER(E) |
| 2 | 63D-85560-00-00 | BASE ASSY | 1 | UR 40MH (M) |
| 3 | 6H4-15359-04-94 | .HOUSING, OIL SEAL | 1 | |
| 4 | 63D-85520-01-00 | .COIL, CHARGE | 1 | UR 40TR,50ER(E) |
| 4 | 63D-85520-00-00 | .COIL, CHARGE | 1 | UR 40MH (M) |
| 5 | 63D-85533-00-00 | .COIL, LIGHTING | 1 | 40MH (M) |
| 6 | 63D-85580-00-00 | .COIL, PULSER | 1 | |
| 7 | 6H4-83354-00-00 | .WIRE, EARTH LEAD 1 | 1 | |
| 8 | 63D-81345-00-00 | .SCREW, WITH WASHER (M5X12) | 6 | |
| 9 | 63D-81345-10-00 | .SCREW, WITH WASHER (M6X25) | 2 | |
| 10 | 63D-81345-20-00 | .SCREW, WITH WASHER (M6X30) | 4 | |
| 11 | 90464-03M15-00 | .CLAMP | 1 | |
| 12 | 93102-23096-00 | .OIL SEAL | 1 | |
| 13 | 703-82119-00-00 | COVER, LEAD WIRE | 3 | 40MH (M) |
| 14 | 6H4-11545-00-00 | KEY, WOODRUFF | 1 | |
| 15 | 90179-16M05-00 | NUT | 1 | |
| 16 | 90201-16M44-00 | WASHER, PLATE | 1 | |
| 17 | 6H4-81332-00-00 | PLATE, TIMING | 1 | |
| 18 | 97885-05010-00 | .SCREW, PAN HEAD | 1 | |
| 19 | 92995-05600-00 | WASHER | 1 | |
| 20 | 97013-06018-00 | BOLT | 3 | |
| 21 | 92903-06600-00 | WASHER, PLATE | 3 | |

40MLHY 2000 / ELECTRICAL 1



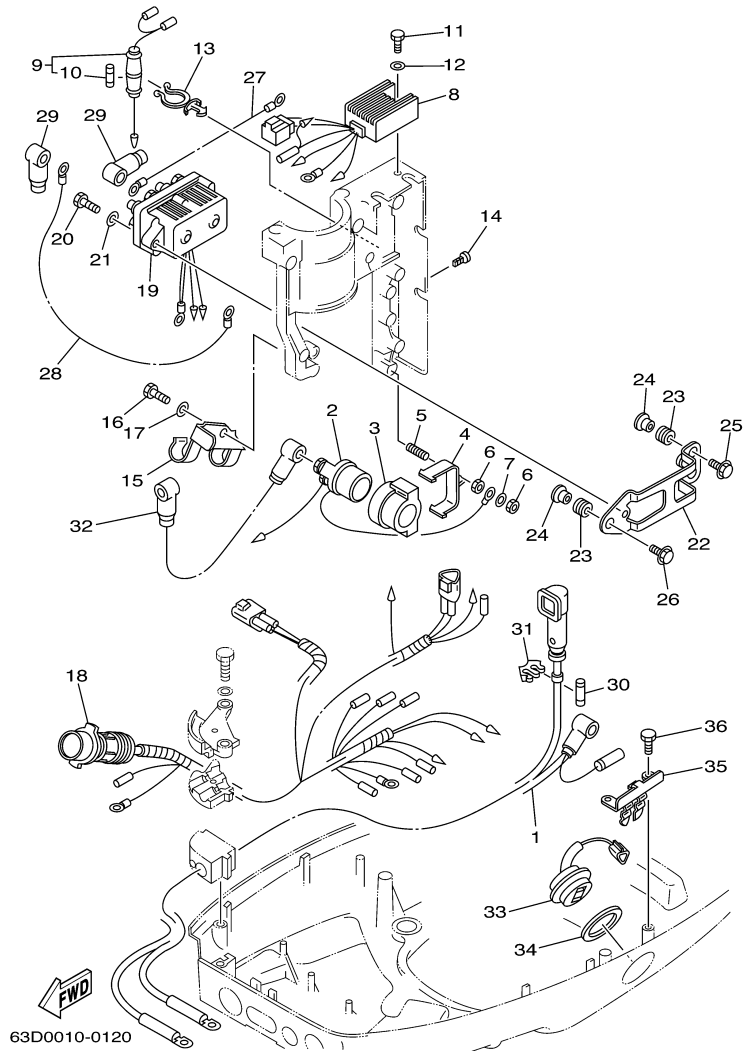
©2014 Yamaha Motor Corporation, U.S.A. All rights reserved.

Part List

40MLHY 2000 / ELECTRICAL 1

| REF - NO | PART NUMBER | PART NAME | QUANTITY | REMARKS |
|----------------|-----------------|-------------------------|----------|--------------|
| 1 | 63D-85540-01-00 | C.D.I. UNIT ASSY | 1 | |
| 2 | 90119-06M51-00 | BOLT, WITH WASHER | 2 | |
| 3 | 90464-15M11-00 | CLAMP | 1 | |
| 4 | 703-82119-00-00 | COVER, LEAD WIRE | 1 | 40TR,50ER(E) |
| 5 | 97095-06014-00 | BOLT | 1 | |
| 6 | 92995-06600-00 | WASHER | 1 | |
| 7 | 6H5-85570-00-00 | IGNITION COIL ASSY | 3 | |
| 8 | 90480-25161-00 | GROMMET | 1 | |
| 9 | 97095-06020-00 | BOLT | 3 | |
| 10 | 92995-06600-00 | WASHER | 3 | |
| 11 | 663-82370-01-00 | PLUG CAP ASSY | 3 | |
| 12 | 689-82560-00-00 | THERMO SWITCH ASSEMBLY | 1 | |
| 13 | 6H4-82560-00-00 | THERMO SWITCH ASSY | 1 | |
| 14 | 6H4-81822-02-98 | BRACKET, STARTING MOTOR | 1 | 40TR,50ER(E) |
| 15 | 97095-06030-00 | BOLT | 4 | 40TR,50ER(E) |
| 16 | 92995-06600-00 | WASHER | 4 | 40TR,50ER(E) |
| 17 | 97013-08050-00 | BOLT | 1 | 40TR,50ER(E) |
| 18 | 92903-08600-00 | WASHER, PLATE | 1 | 40TR,50ER(E) |
| 19 | 95670-06640-00 | BOLT, STUD | 1 | 40TR,50ER(E) |
| 20 | 90179-06M24-00 | NUT | 1 | 40TR,50ER(E) |
| 21 | 97095-06014-00 | BOLT | 2 | 40TR,50ER(E) |
| 22 | 92995-06600-00 | WASHER | 2 | 40TR,50ER(E) |
| 23 | 63D-82531-00-00 | WIRE, LEAD | 1 | 40MH (M) |
| 24 | 90446-10M02-00 | HOSE | 1 | 40MH (M) |
| 25 | 6G1-83557-00-00 | TUBE | 1 | 40MH (M) |
| 26 | 90464-05M16-00 | CLAMP | 1 | 40MH (M) |
| 27 | 97095-06014-00 | BOLT | 1 | 40MH (M) |
| 28 | 92995-06600-00 | WASHER | 1 | 40MH (M) |

40MLHY 2000 / ELECTRICAL 2



63D0010-0120

©2014 Yamaha Motor Corporation, U.S.A. All rights reserved.


Part List

40MLHY 2000 / ELECTRICAL 2

| REF - NO | PART NUMBER | PART NAME | QUANTITY | REMARKS |
|----------|-----------------|----------------------------|----------|--------------|
| 1 | 63D-82105-J0-00 | BATTERY CABLE | 1 | 40TR,50ER(E) |
| 2 | 6G1-81941-10-00 | STARTER RELAY ASSY | 1 | 40TR,50ER(E) |
| 3 | 6H4-81952-00-00 | HOLDER, RELAY | 1 | 40TR,50ER(E) |
| 4 | 6H4-81945-00-00 | PLATE, SWITCH FITTING | 1 | 40TR,50ER(E) |
| 5 | 90116-06M22-00 | BOLT, STUD | 1 | 40TR,50ER(E) |
| 6 | 95380-06600-00 | NUT, HEXAGON | 2 | 40TR,50ER(E) |
| 7 | 92990-06600-00 | WASHER, PLATE | 1 | 40TR,50ER(E) |
| 8 | 6H2-81960-10-00 | RECTIFIER & REGULATOR ASSY | 1 | 40TR,50ER(E) |
| 9 | 6H4-82150-00-00 | FUSE HOLDER ASSY | 1 | 40TR,50ER(E) |
| 10 | 682-82151-00-00 | .FUSE (12V-20A) | 1 | 40TR,50ER(E) |
| 11 | 97095-06014-00 | BOLT | 1 | 40TR,50ER(E) |
| 12 | 92995-06600-00 | WASHER | 1 | 40TR,50ER(E) |
| 13 | 90464-15M27-00 | CLAMP | 1 | 40TR,50ER(E) |
| 14 | 90338-05M11-00 | PLUG | 2 | 40TR,50ER(E) |
| 15 | 63D-82594-00-00 | CLAMP | 1 | 40TR,50ER(E) |
| 16 | 97095-06012-00 | BOLT | 1 | 40TR,50ER(E) |
| 17 | 92995-06600-00 | WASHER | 1 | 40TR,50ER(E) |
| 18 | 63D-82590-20-00 | WIRE HARNESS ASSY | 1 | UR 40TR(E) |
| 19 | 6H1-81950-00-00 | RELAY ASSY | 1 | 40TR(E) |
| 20 | 97095-06025-00 | BOLT | 2 | 40TR(E) |
| 21 | 92995-06600-00 | WASHER | 2 | 40TR(E) |
| 22 | 6H4-81945-20-00 | PLATE, SWITCH FITTING | 1 | 40TR(E) |
| 23 | 90480-13M24-00 | GROMMET | 3 | 40TR(E) |
| 24 | 90387-06M05-00 | COLLAR | 3 | 40TR(E) |
| 25 | 90105-06M15-00 | BOLT, FLANGE | 2 | 40TR(E) |
| 26 | 90105-06M16-00 | BOLT, FLANGE | 1 | 40TR(E) |
| 27 | 6H5-81949-00-00 | WIRE, LEAD | 1 | 40TR(E) |
| 28 | 61A-81949-00-00 | WIRE, LEAD | 1 | 40TR(E) |
| 29 | 682-82119-01-00 | COVER, LEAD WIRE | 4 | 40TR(E) |
| 30 | 688-82151-00-00 | FUSE | 1 | 40TR,50ER(E) |
| 31 | 90464-07M20-00 | CLAMP | 1 | 40TR,50ER(E) |
| 32 | 6H4-82117-00-00 | WIRE, LEAD | 1 | 40TR,50ER(E) |
| 33 | 63D-82563-10-00 | TRIM & TILT SWITCH ASSY | 1 | 40TR(E) |
| 34 | 6E5-82587-00-00 | GASKET | 1 | 40TR(E) |
| 35 | 6R3-83614-00-00 | BRACKET | 1 | 40TR(E) |
| 36 | 97095-06016-00 | BOLT | 2 | 40TR(E) |

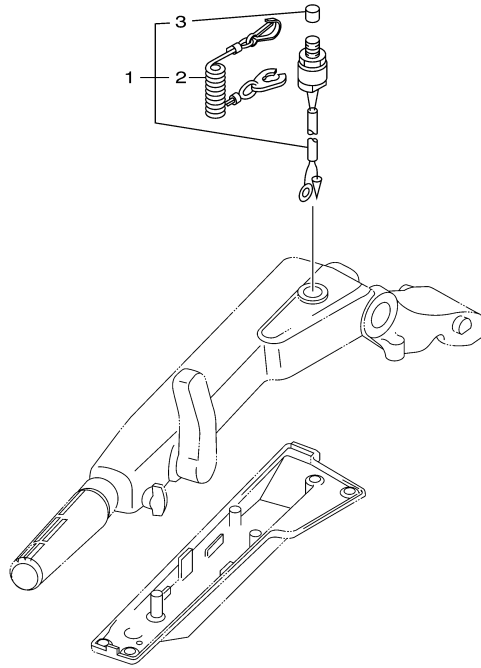
Part Notes

40MLHY 2000 / ELECTRICAL 2

| PART NUMBER | NOTE TEXT |
|--|--|
| 92990-06600-00  | OEM: This part number is among the Top 100 Most Popular Marine Maintenance Parts as of March 2014. |

©2014 Yamaha Motor Corporation, U.S.A. All rights reserved.

40MLHY 2000 / ELECTRICAL 3



63B0100-0140


Part List

40MLHY 2000 / ELECTRICAL 3

| REF - NO | PART NUMBER | PART NAME | QUANTITY | REMARKS |
|----------------|-----------------|-------------------------|----------|----------|
| 1 | 6K5-82575-02-00 | ENGINE STOP SWITCH ASSY | 1 | 40MH (M) |
| 2 | 682-82556-00-00 | .LANYARD, STOP SWITCH | 1 | 40MH (M) |
| 3 | 689-8257Y-00-00 | .CAP | 1 | 40MH (M) |

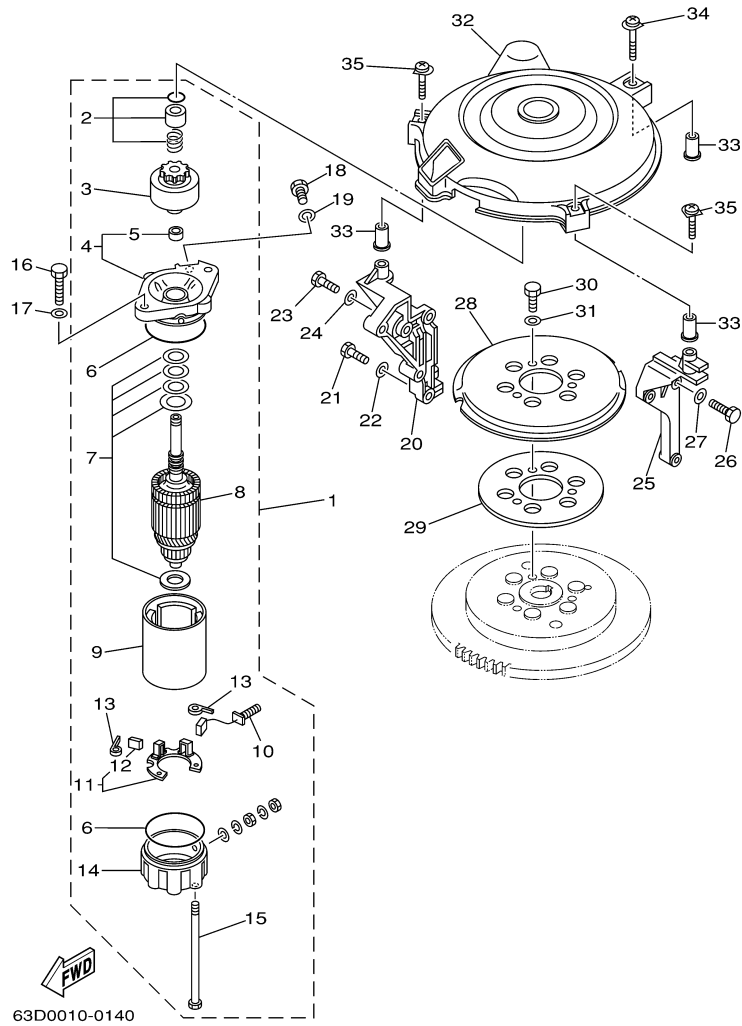
Part Notes

40MLHY 2000 / ELECTRICAL 3

| PART NUMBER | NOTE TEXT |
|---|--|
| 682-82556-00-00  | OEM: This part number is among the Top 100 Most Popular Marine Maintenance Parts as of March 2014. |

©2014 Yamaha Motor Corporation, U.S.A. All rights reserved.

40MLHY 2000 / STARTING MOTOR 40TR 50ER



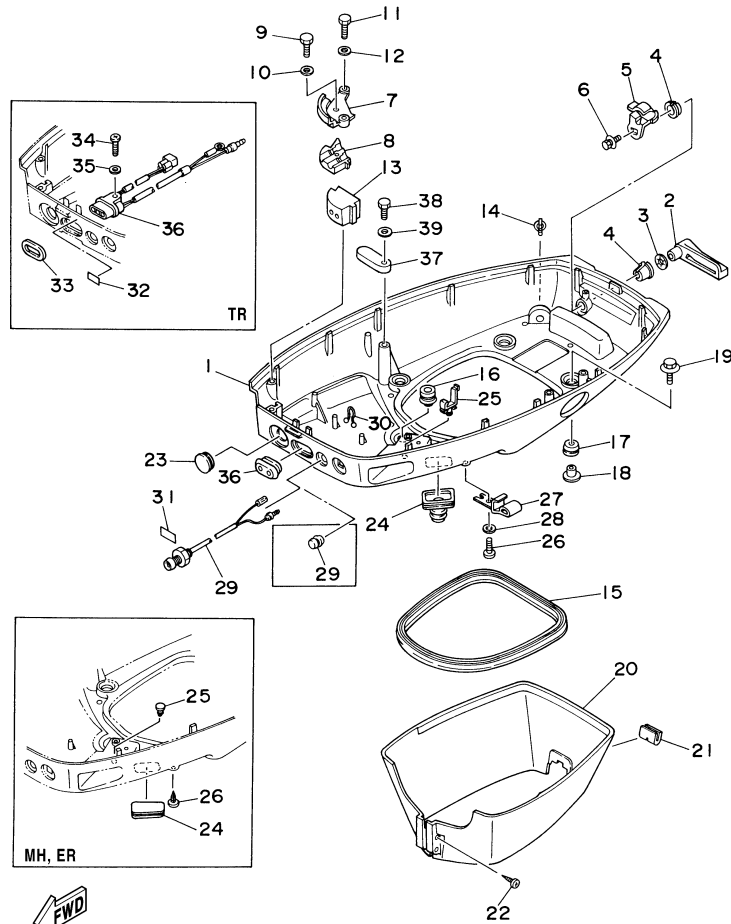
©2014 Yamaha Motor Corporation, U.S.A. All rights reserved.

Part List

40MLHY 2000 / STARTING MOTOR 40TR 50ER

| REF - NO | PART NUMBER | PART NAME | QUANTITY | REMARKS |
|----------------|-----------------|-------------------------------|----------|---------|
| 1 | 6F5-81800-11-00 | STARTING MOTOR ASSY | 1 | (E) |
| 2 | 689-81857-11-00 | .PINION STOPPER SET | 1 | (E) |
| 3 | 689-81807-12-00 | .GEAR ASSY, STARTING MOTOR | 1 | (E) |
| 4 | 6F5-81830-11-00 | .FRONT BRACKET ASSY | 1 | (E) |
| 5 | 689-81831-00-00 | ..METAL, FRONT | 1 | (E) |
| 6 | 689-81847-11-00 | .O-RING | 2 | (E) |
| 7 | 689-81809-11-00 | .WASHER KIT | 1 | (E) |
| 8 | 689-81850-12-00 | .ARMATURE ASSY | 1 | (E) |
| 9 | 689-81810-11-00 | .STATOR ASSY | 1 | (E) |
| 10 | 689-81811-11-00 | .BRUSH 1 | 1 | (E) |
| 11 | 689-81840-11-00 | .BRUSH HOLDER ASSY | 1 | (E) |
| 12 | 689-81812-11-00 | ..BRUSH 2 | 1 | (E) |
| 13 | 689-81813-10-00 | .SPRING, BRUSH | 2 | (E) |
| 14 | 689-81820-11-00 | .REAR BRACKET ASSY | 1 | (E) |
| 15 | 689-81826-10-00 | .BOLT | 2 | (E) |
| 16 | 97013-08030-00 | BOLT | 2 | (E) |
| 17 | 92903-08600-00 | WASHER, PLATE | 2 | (E) |
| 18 | 97013-08016-00 | BOLT | 1 | (E) |
| 19 | 92903-08600-00 | WASHER, PLATE | 1 | (E) |
| 20 | 63D-15771-00-4D | STAY 1 | 1 | (E) |
| 21 | 97013-08025-00 | BOLT | 2 | (E) |
| 22 | 92903-08600-00 | WASHER, PLATE | 2 | (E) |
| 23 | 97013-06020-00 | BOLT | 1 | (E) |
| 24 | 92903-06600-00 | WASHER, PLATE | 1 | (E) |
| 25 | 6H4-15772-02-94 | STAY 2 | 1 | (E) |
| 26 | 97013-06025-00 | BOLT | 3 | (E) |
| 27 | 92903-06600-00 | WASHER, PLATE | 3 | (E) |
| 28 | 6J8-15723-E1-94 | PULLEY, STARTER | 1 | (E) |
| 29 | 6J8-81365-A0-00 | GASKET, HOLE COVER | 1 | (E) |
| 30 | 97013-08014-00 | BOLT | 3 | (E) |
| 31 | 92903-08600-00 | WASHER, PLATE | 3 | (E) |
| 32 | 6H4-81337-01-00 | COVER, FLYWHEEL | 1 | (E) |
| 33 | 90387-06M65-00 | COLLAR | 3 | (E) |
| 34 | 90159-06M21-00 | SCREW, WITH WASHER | 1 | (E) |
| 35 | 90159-06M22-00 | SCREW, WITH WASHER | 2 | (E) |

40MLHY 2000 / BOTTOM COWLING



63B0110-5160

Part List



40MLHY 2000 / BOTTOM COWLING

| REF - NO | PART NUMBER | PART NAME | QUANTITY | REMARKS |
|----------|-----------------|-----------------------------|----------|-----------------|
| 1 | 6H4-42711-25-4D | COWLING, BOTTOM 1 | 1 | UR 40TR(E) |
| 1 | 6H4-42711-07-4D | COWLING, BOTTOM | 1 | UR 50ER,40MH |
| 2 | 6H4-42815-00-4D | LEVER, CLAMP | 1 | |
| 3 | 90206-12052-00 | WASHER, WAVE | 1 | |
| 4 | 90386-12069-00 | BUSH | 2 | |
| 5 | 6H4-42816-00-00 | LEVER, CLAMP | 1 | |
| 6 | 90119-06M73-00 | BOLT, WITH WASHER | 1 | |
| 7 | 6H4-48531-11-94 | BRACKET, REMOTE CONTROL 1 | 1 | |
| 8 | 6H4-48532-11-94 | BRACKET, REMOTE CONTROL 2 | 1 | |
| 9 | 97095-05016-00 | .BOLT | 1 | |
| 10 | 92995-05600-00 | WASHER | 1 | |
| 11 | 97095-06020-00 | BOLT | 2 | |
| 12 | 92995-06600-00 | WASHER | 2 | |
| 13 | 6H4-42724-00-00 | GROMMET | 1 | UR 40MH (M) |
| 13 | 6H4-42724-20-00 | GROMMET | 1 | UR 40TR,50ER(E) |
| 14 | 6E5-44391-00-00 | NIPPLE, HOSE | 1 | |
| 15 | 6H4-42716-00-00 | RUBBER, SEAL 1 | 1 | |
| 16 | 6E5-42724-00-00 | GROMMET | 1 | |
| 17 | 90480-09M21-00 | GROMMET | 4 | |
| 18 | 90387-06M41-00 | COLLAR | 4 | |
| 19 | 90119-06M61-00 | BOLT, WITH WASHER | 4 | |
| 20 | 63D-42741-00-4D | APRON | 1 | |
| 21 | 63D-42717-00-00 | RUBBER, SEAL 2 | 1 | |
| 22 | 97780-60525-00 | SCREW, TAPPING | 2 | |
| 23 | 6H4-42726-40-00 | GROMMET | 1 | UR 40MH (M) |
| 23 | 676-42726-00-00 | GROMMET | 1 | UR 40TR,50ER(E) |
| 24 | 688-42726-10-00 | GROMMET | 1 | UR 40TR(E) |
| 24 | 6H4-42726-00-00 | GROMMET | 1 | UR 50ER,40MH |
| 25 | 703-82119-00-00 | COVER, LEAD WIRE | 1 | UR 50ER,40MH |
| 25 | 90464-09M13-00 | CLAMP | 1 | UR 40TR(E) |
| 26 | 90157-06M01-00 | SCREW, PAN HEAD | 1 | UR 40TR(E) |
| 26 | 90338-05M03-00 | PLUG | 1 | UR 50ER,40MH |
| 27 | 6E5-24367-01-00 | CLAMP, FUEL PIPE 2 | 1 | 40TR(E) |
| 28 | 92990-06600-00 | WASHER, PLATE | 1 | 40TR(E) |
| 29 | 6J8-85410-00-00 | EMERGENCY SIGNAL LIGHT ASSY | 1 | UR 40MH (M) |
| 29 | 6H4-42725-00-00 | GROMMET | 1 | UR 40TR,50ER(E) |
| 30 | 90464-08M07-00 | CLAMP | 1 | 40MH (M) |
| 31 | 6H4-85415-10-00 | MARK, SIGNAL LAMP | 1 | 40MH (M) |
| 32 | 63D-84342-00-00 | SEAT, EMBLEM | 1 | 40TR(E) |
| 33 | 6H4-83589-00-00 | GASKET | 1 | 40TR(E) |
| 34 | 97880-06014-00 | SCREW, PAN HEAD | 1 | 40TR(E) |
| 35 | 92990-06600-00 | WASHER, PLATE | 1 | 40TR(E) |
| 36 | 63D-84301-00-00 | PILOT LIGHT ASSY 1 | 1 | UR 40TR(E) |
| 36 | 6H3-42727-00-00 | GROMMET | 1 | UR 50ER,40MH |
| 37 | 6E5-82588-00-00 | PLATE | 1 | |
| 38 | 97095-06020-00 | BOLT | 1 | |
| 39 | 92995-06600-00 | WASHER | 1 | |

Part Notes

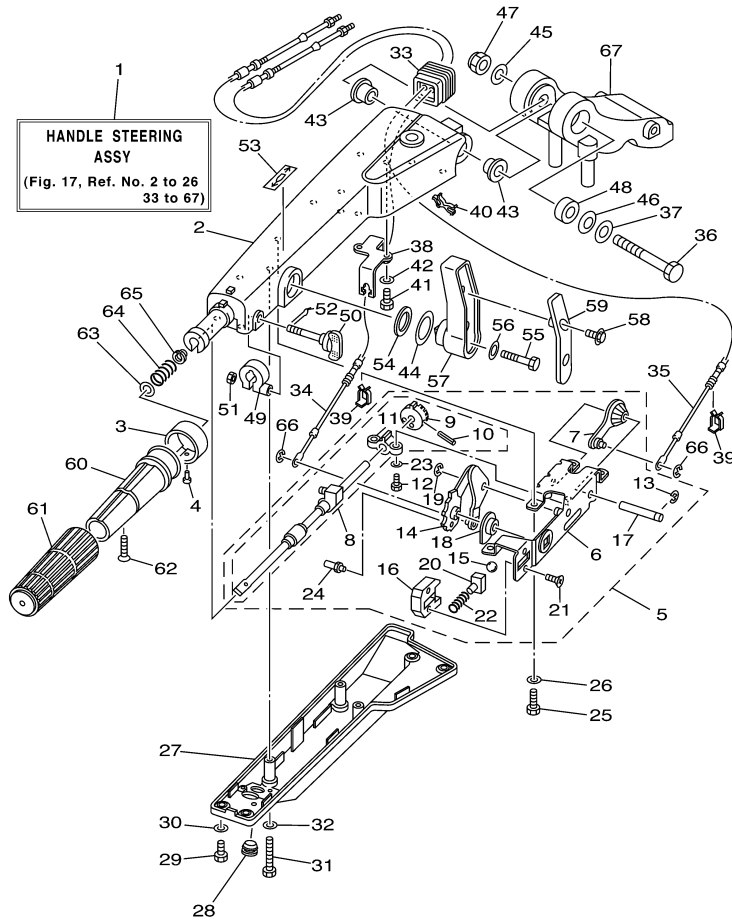
40MLHY 2000 / BOTTOM COWLING

| PART NUMBER | NOTE TEXT |
|----------------|--|
| 92990-06600-00 | OEM: This part number is among the Top 100 Most Popular Marine Maintenance Parts as of March 2014. |

| | | |
|----------------|---|--|
| |  | |
| 92990-06600-00 |  | OEM: This part number is among the Top 100 Most Popular Marine Maintenance Parts as of March 2014. |

©2014 Yamaha Motor Corporation, U.S.A. All rights reserved.

40MLHY 2000 / STEERING 40MH



63B0100-0170

©2014 Yamaha Motor Corporation, U.S.A. All rights reserved.

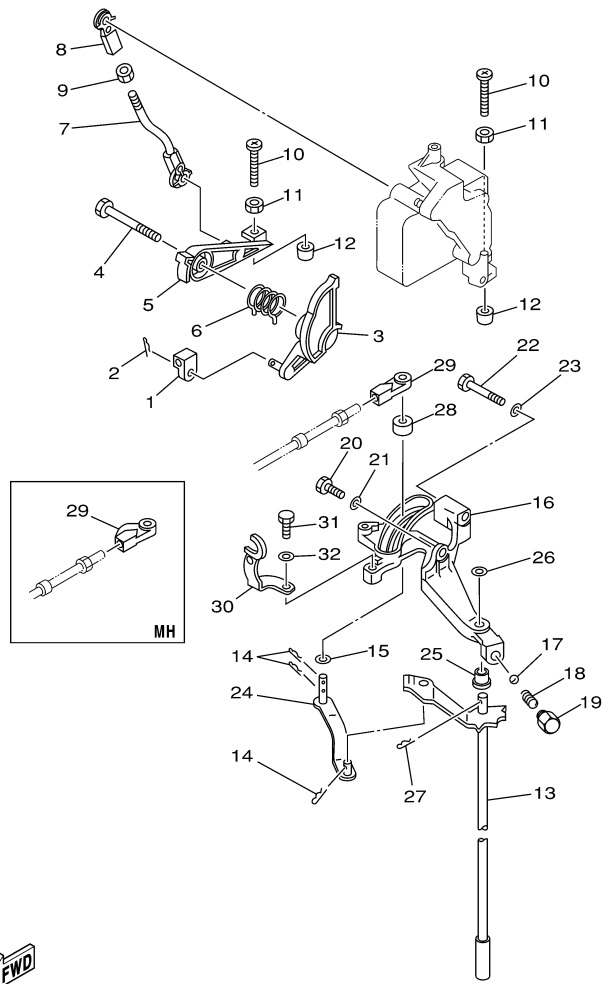
Part List

40MLHY 2000 / STEERING 40MH

| REF - NO | PART NUMBER | PART NAME | QUANTITY | REMARKS |
|----------------|-----------------|-----------------------------------|----------|---------|
| 1 | 63D-W0084-00-4D | HANDLE STEERING ASSY | 1 | (M) |
| 2 | 63D-42111-01-4D | HANDLE, STEERING | 1 | (M) |
| 3 | 6K5-42137-00-00 | INDICATOR, THROTTLE | 1 | (M) |
| 4 | 90269-02M09-00 | RIVET | 1 | (M) |
| 5 | 63D-44100-01-00 | SHIFT LINK ASSY | 1 | (M) |
| 6 | 63D-44104-00-00 | .PLATE COMP | 1 | (M) |
| 7 | 63D-48261-00-00 | .ARM, THROTTLE | 1 | (M) |
| 8 | 63D-42115-00-00 | .SHAFT, STEERING HANDLE | 1 | (M) |
| 9 | 650-42152-00-94 | ..GEAR | 1 | (M) |
| 10 | 91690-30025-00 | ..PIN, SPRING | 1 | (M) |
| 11 | 63D-42159-00-00 | ..STAY | 1 | (M) |
| 12 | 98580-06016-00 | .SCREW, PAN HEAD | 2 | (M) |
| 13 | 93430-08006-00 | .CIRCLIP | 1 | (M) |
| 14 | 63D-44113-01-00 | .CAM PLATE, HANDLE | 1 | (M) |
| 15 | 63D-48236-00-00 | .ROLLER, DETENT | 1 | (M) |
| 16 | 63D-48119-00-00 | .COVER | 1 | (M) |
| 17 | 63D-42153-00-00 | .SHAFT, THROTTLE CONTROL | 1 | (M) |
| 18 | 63D-44132-00-00 | .BUSHING | 1 | (M) |
| 19 | 63D-48118-00-00 | .CLIP, SHIFT LEVER | 1 | (M) |
| 20 | 63D-48237-00-00 | .ADAPTER | 1 | (M) |
| 21 | 98785-05014-00 | .SCREW, FLAT HEAD | 2 | (M) |
| 22 | 63D-48238-00-00 | .SPRING, DETENT | 1 | (M) |
| 23 | 63D-42181-00-00 | .WASHER | 2 | (M) |
| 24 | 63D-44114-01-00 | .STOPPER | 1 | (M) |
| 25 | 97095-06016-00 | BOLT | 4 | (M) |
| 26 | 92995-06600-00 | WASHER | 4 | (M) |
| 27 | 63D-42131-00-00 | COVER, HANDLE STEERING | 1 | (M) |
| 28 | 90480-14M14-00 | GROMMET | 1 | (M) |
| 29 | 97885-06016-00 | SCREW, PAN HEAD | 4 | (M) |
| 30 | 92995-06600-00 | WASHER | 4 | (M) |
| 31 | 97885-06040-00 | SCREW, PAN HEAD | 3 | (M) |
| 32 | 92995-06600-00 | WASHER | 3 | (M) |
| 33 | 63D-42725-00-00 | GROMMET | 1 | (M) |
| 34 | 63D-48321-01-00 | CABLE | 1 | (M) |
| 35 | 63D-26301-01-00 | THROTTLE CABLE ASSY | 1 | (M) |
| 36 | 90101-12M09-00 | BOLT | 1 | (M) |
| 37 | 92990-12200-00 | WASHER, PLAIN | 1 | (M) |
| 38 | 63D-48531-00-00 | BRACKET, REMOTE CONTROL | 1 | (M) |
| 39 | 63D-48538-00-00 | CLAMP, CABLE 1 | 2 | (M) |
| 40 | 90464-09M42-00 | CLAMP | 1 | (M) |
| 41 | 97095-06016-00 | BOLT | 2 | (M) |
| 42 | 92995-06600-00 | WASHER | 2 | (M) |
| 43 | 90386-12M93-00 | BUSH | 2 | (M) |
| 44 | 90386-29M95-00 | BUSH | 1 | (M) |
| 45 | 92990-12600-00 | WASHER, PLATE | 1 | (M) |
| 46 | 90206-12M22-00 | WASHER, WAVE | 1 | (M) |
| 47 | 90185-12M12-00 | NUT, SELF-LOCKING | 1 | (M) |
| 48 | 90387-12M02-00 | COLLAR | 1 | (M) |
| 49 | 63D-42126-00-00 | FRICTION, STEERING HANDLE GRIP | 1 | (M) |
| 50 | 63D-48154-00-00 | KNOB, THROTTLE | 1 | (M) |
| 51 | 95380-06600-00 | NUT, HEXAGON | 1 | (M) |
| 52 | 91490-20010-00 | PIN. COTTER | 1 | (M) |
| 53 | 6G8-44191-00-00 | INDICATOR, SHIFT | 1 | (M) |

| | | | | |
|----|-----------------|-----------------------|---|-----|
| 54 | 90202-24M53-00 | WASHER, PLATE | 1 | (M) |
| 55 | 97095-08040-00 | BOLT | 1 | (M) |
| 56 | 92995-08600-00 | WASHER | 1 | (M) |
| 57 | 63D-44159-01-00 | HANDLE, GEAR SHIFT | 1 | (M) |
| 58 | 90159-06M18-00 | SCREW, WITH WASHER | 2 | (M) |
| 59 | 63D-44173-00-00 | LEVER, SHIFT CONTROL | 1 | (M) |
| 60 | 664-42119-00-00 | GRIP, STEERING HANDLE | 1 | (M) |
| 61 | 6G1-42177-00-00 | RUBBER, HANDLE | 1 | (M) |
| 62 | 90149-05M13-00 | SCREW | 1 | (M) |
| 63 | 92903-10600-00 | WASHER, PLATE | 1 | (M) |
| 64 | 90501-23215-00 | SPRING, COMPRESSION | 1 | (M) |
| 65 | 90386-08032-00 | BUSH | 1 | (M) |
| 66 | 93430-04M03-00 | CIRCLIP | 2 | (M) |
| 67 | 63D-42121-00-4D | BRACKET | 1 | (M) |

40MLHY 2000 / CONTROL



63D0100-0160

©2014 Yamaha Motor Corporation, U.S.A. All rights reserved.



Part List

40MLHY 2000 / CONTROL

| REF - NO | PART NUMBER | PART NAME | QUANTITY | REMARKS |
|----------|-----------------|----------------------------|----------|-----------------|
| 1 | 6H4-48344-00-00 | CABLE END, REMOTE CONTROL | 1 | |
| 2 | 90468-18008-00 | CLIP | 1 | |
| 3 | 63D-41213-00-00 | CAM, ACCEL. | 1 | |
| 4 | 90109-06M43-00 | BOLT | 1 | |
| 5 | 63D-41632-00-00 | LEVER, MAGNETO CONTROL | 1 | |
| 6 | 90508-26M35-00 | SPRING, TORSION | 1 | |
| 7 | 63D-41636-00-00 | ROD, MAGNETO CONTROL | 1 | |
| 8 | 6H4-41237-00-00 | JOINT, LINK | 1 | |
| 9 | 95380-05600-00 | NUT | 1 | |
| 10 | 90157-06M13-00 | SCREW, PAN HEAD | 2 | |
| 11 | 95303-06600-00 | .NUT | 2 | |
| 12 | 688-44194-00-00 | CAP | 2 | |
| 13 | 63D-44120-00-00 | HANDLE GEAR SHIFT ASSY | 1 | UR S |
| 13 | 63D-44120-10-00 | HANDLE GEAR SHIFT ASSY | 1 | UR L(E) |
| 14 | 90468-18008-00 | CLIP | 3 | |
| 15 | 90202-07M07-00 | WASHER, PLATE | 1 | |
| 16 | 63D-44117-00-00 | BRACKET | 1 | |
| 17 | 93501-04M02-00 | BALL | 1 | |
| 18 | 90501-12082-00 | SPRING, COMPRESSION | 1 | |
| 19 | 648-42715-00-00 | BUSHING | 1 | |
| 20 | 97013-06020-00 | BOLT | 1 | |
| 21 | 92903-06600-00 | WASHER, PLATE | 1 | |
| 22 | 97013-06045-00 | BOLT | 1 | |
| 23 | 92903-06600-00 | WASHER, PLATE | 1 | |
| 24 | 63D-44121-00-00 | LEVER, SHIFT ROD | 1 | |
| 25 | 90386-07M58-00 | BUSH | 1 | |
| 26 | 92990-08200-00 | WASHER, PLAIN | 1 | |
| 27 | 91490-20012-00 | PIN. COTTER | 1 | |
| 28 | 688-44122-00-00 | BUSHING, SHIFT ROD LEVER | 1 | |
| 29 | 63D-48344-00-00 | CABLE END, REMOTE CONTROL | 1 | UR 40MH (M) |
| 29 | 663-48344-00-00 | .CABLE END, REMOTE CONTROL | 1 | UR 40TR,50ER(E) |
| 30 | 63D-15774-00-00 | STAY 4 | 1 | |
| 31 | 97095-06016-00 | BOLT | 1 | |
| 32 | 92995-06600-00 | WASHER | 1 | |

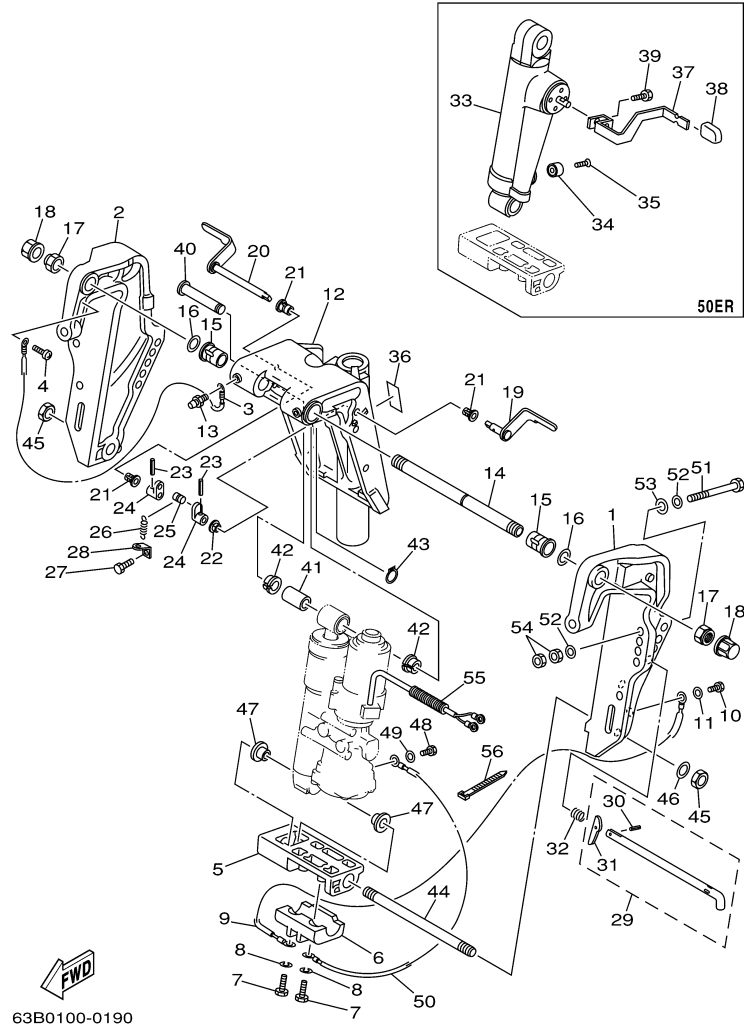
Part Notes

40MLHY 2000 / CONTROL

| PART NUMBER | NOTE TEXT |
|--|--|
| 90468-18008-00  | OEM: This part number is among the Top 100 Most Popular Marine Maintenance Parts as of March 2014. |
| 90468-18008-00  | OEM: This part number is among the Top 100 Most Popular Marine Maintenance Parts as of March 2014. |

©2014 Yamaha Motor Corporation, U.S.A. All rights reserved.

40MLHY 2000 / BRACKET 1 FOR 40TR 50ER



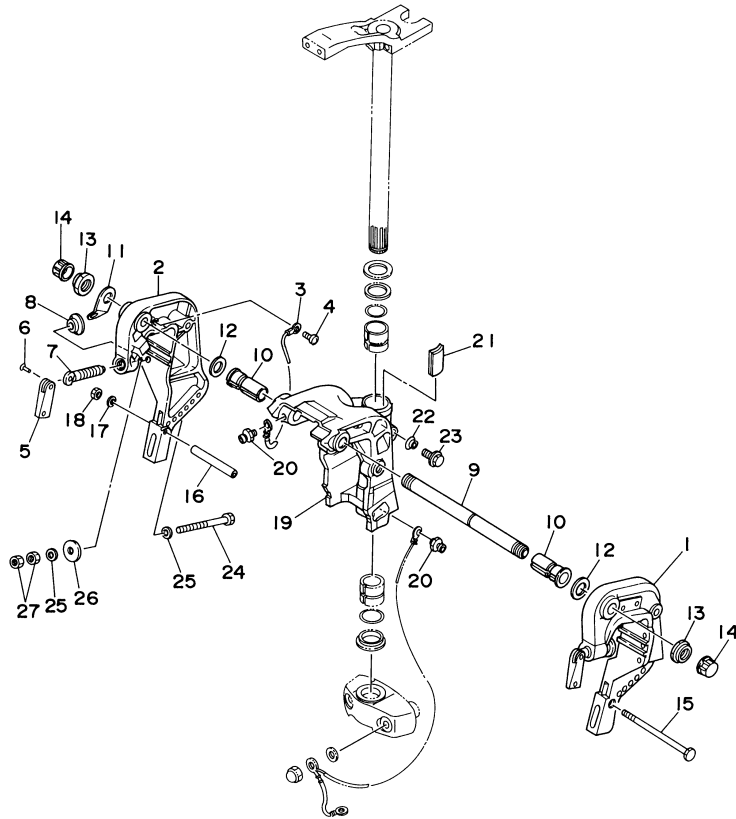
©2014 Yamaha Motor Corporation, U.S.A. All rights reserved.

Part List

40MLHY 2000 / BRACKET 1 FOR 40TR 50ER

| REF - NO | PART NUMBER | PART NAME | QUANTITY | REMARKS |
|----------|-----------------|------------------------|----------|---------|
| 1 | 63D-43111-00-4D | BRACKET, CLAMP | 1 | (E) |
| 2 | 63D-43112-00-4D | BRACKET, CLAMP | 1 | (E) |
| 3 | 63D-82148-00-00 | WIRE, LEAD 4 | 1 | (E) |
| 4 | 97885-06008-00 | SCREW, PAN HEAD | 1 | (E) |
| 5 | 63D-43128-01-4D | SPACER, CLAMP BRACKET | 1 | (E) |
| 6 | 63D-45251-00-00 | ANODE | 1 | (E) |
| 7 | 97095-06025-00 | BOLT | 2 | (E) |
| 8 | 92995-06100-00 | WASHER, SPRING | 2 | (E) |
| 9 | 6H1-82148-00-00 | WIRE, LEAD 4 | 1 | (E) |
| 10 | 97095-06010-00 | BOLT | 1 | (E) |
| 11 | 92995-06600-00 | WASHER | 1 | (E) |
| 12 | 63D-43311-01-4D | BRACKET, SWIVEL | 1 | UR S(E) |
| 12 | 63D-43311-11-4D | BRACKET, SWIVEL | 1 | UR L(E) |
| 13 | 93700-06M03-00 | NIPPLE, GREASE | 3 | (E) |
| 14 | 63D-43131-00-00 | BOLT, CLAMP BRACKET | 1 | (E) |
| 15 | 90386-22M15-00 | BUSH | 2 | (E) |
| 16 | 90201-22M03-00 | WASHER, PLATE | 2 | (E) |
| 17 | 90185-22M11-00 | NUT, SELF-LOCKING | 2 | (E) |
| 18 | 6G5-43145-00-00 | CAP, CLAMP BRACKET | 2 | (E) |
| 19 | 6H5-43181-03-00 | LEVER, TILT STOP | 1 | (E) |
| 20 | 6H5-43185-03-00 | LEVER, TILT STOP | 1 | (E) |
| 21 | 90386-10M16-00 | BUSH | 3 | (E) |
| 22 | 90386-10025-00 | .BUSH | 1 | (E) |
| 23 | 91690-30020-00 | PIN, SPRING | 2 | (E) |
| 24 | 6G5-43148-00-00 | COLLAR, DISTANCE | 2 | (E) |
| 25 | 90249-06M19-00 | PIN | 1 | (E) |
| 26 | 90506-14M24-00 | SPRING, TENSION | 1 | (E) |
| 27 | 97095-06010-00 | BOLT | 1 | (E) |
| 28 | 6G5-43144-00-00 | HOOK, SPRING | 1 | (E) |
| 29 | 688-43160-01-00 | TILT ROD ASSY | 1 | (E) |
| 30 | 688-43165-00-00 | .PLATE, TILT LOCK | 1 | (E) |
| 31 | 91690-30012-00 | .PIN, SPRING | 1 | (E) |
| 32 | 90502-16M02-00 | SPRING, CONICAL | 1 | (E) |
| 40 | 6E5-43126-02-00 | PIN, UPPER SHOCK MOUNT | 1 | (E) |
| 41 | 90386-18M92-00 | BUSH | 1 | (E) |
| 42 | 90386-18M35-00 | BUSH | 2 | (E) |
| 43 | 93410-18M02-00 | CIRCLIP | 1 | (E) |
| 44 | 90116-18M52-00 | BOLT, STUD | 1 | (E) |
| 45 | 90170-18M10-00 | NUT | 2 | (E) |
| 46 | 92995-18600-00 | WASHER | 1 | (E) |
| 47 | 90386-18M44-00 | BUSH | 2 | (E) |
| 48 | 97095-06010-00 | BOLT | 1 | 40TR(E) |
| 49 | 92995-06600-00 | WASHER | 1 | 40TR(E) |
| 50 | 6H1-82148-00-00 | WIRE, LEAD 4 | 1 | 40TR(E) |
| 51 | 90101-12M65-00 | BOLT | 4 | (E) |
| 52 | 92995-12200-00 | WASHER | 8 | (E) |
| 53 | 90201-12426-00 | WASHER, PLATE | 4 | (E) |
| 54 | 95380-12600-00 | NUT | 8 | (E) |
| 55 | 90440-14M00-00 | PIPE | 1 | 40TR(E) |
| 56 | 90465-11M10-00 | CLAMP | 3 | 40TR(E) |

40MLHY 2000 / BRACKET 2 40MH



63D0010-5200

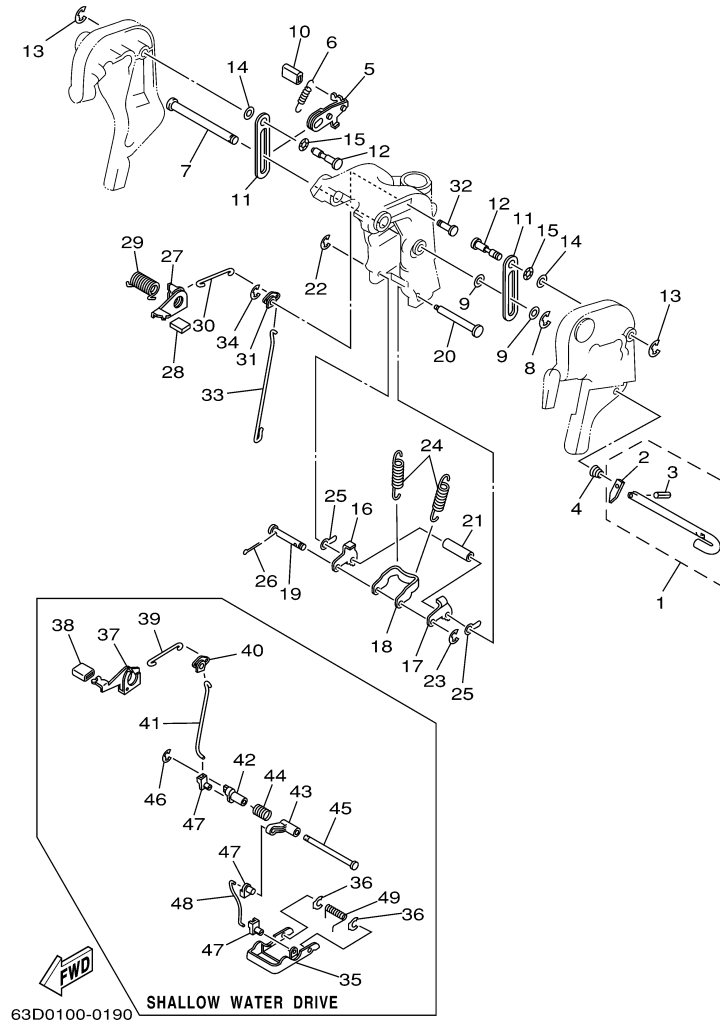
©2014 Yamaha Motor Corporation, U.S.A. All rights reserved.

Part List

40MLHY 2000 / BRACKET 2 40MH

| REF - NO | PART NUMBER | PART NAME | QUANTITY | REMARKS |
|----------------|-----------------|-----------------------|----------|---------|
| 1 | 6H4-43111-05-4D | BRACKET, CLAMP | 1 | (M) |
| 2 | 6H4-43112-04-4D | BRACKET, CLAMP | 1 | (M) |
| 3 | 6E5-82148-00-00 | WIRE, LEAD 4 | 1 | (M) |
| 4 | 97885-06008-00 | SCREW, PAN HEAD | 1 | (M) |
| 5 | 6E0-43118-01-00 | HANDLE, TRANSOM CLAMP | 2 | (M) |
| 6 | 90243-04M01-00 | PIN | 2 | (M) |
| 7 | 90149-14M12-00 | SCREW | 2 | (M) |
| 8 | 648-43114-01-00 | PAD, TRANSOM CLAMP | 2 | (M) |
| 9 | 63D-43131-00-00 | BOLT, CLAMP BRACKET | 1 | (M) |
| 10 | 90386-22M69-00 | BUSH | 2 | (M) |
| 11 | 6J8-43113-01-00 | PLATE, CLAMP BRACKET | 1 | (M) |
| 12 | 90201-22M03-00 | WASHER, PLATE | 2 | (M) |
| 13 | 90185-22M11-00 | NUT, SELF-LOCKING | 2 | (M) |
| 14 | 6G5-43145-00-00 | CAP, CLAMP BRACKET | 2 | (M) |
| 15 | 90101-08339-00 | BOLT | 1 | (M) |
| 16 | 90387-08M03-00 | COLLAR | 1 | (M) |
| 17 | 92990-08600-00 | ..WASHER, PLATE | 1 | (M) |
| 18 | 95380-08600-00 | NUT | 1 | (M) |
| 19 | 6J8-43311-04-4D | BRACKET, SWIVEL 1 | 1 | S (M) |
| 20 | 93700-06M03-00 | NIPPLE, GREASE | 3 | (M) |
| 21 | 6J8-42528-00-00 | PLATE, FRICTION | 1 | (M) |
| 22 | 689-43373-01-00 | SEAL, DAMPER | 1 | (M) |
| 23 | 90105-06M18-00 | BOLT, FLANGE | 1 | (M) |
| 24 | 90101-10M58-00 | BOLT | 4 | (M) |
| 25 | 92995-10600-00 | WASHER | 8 | (M) |
| 26 | 90201-12426-00 | WASHER, PLATE | 4 | (M) |
| 27 | 95380-10600-00 | NUT | 8 | (M) |

40MLHY 2000 / BRACKET 3 40MH



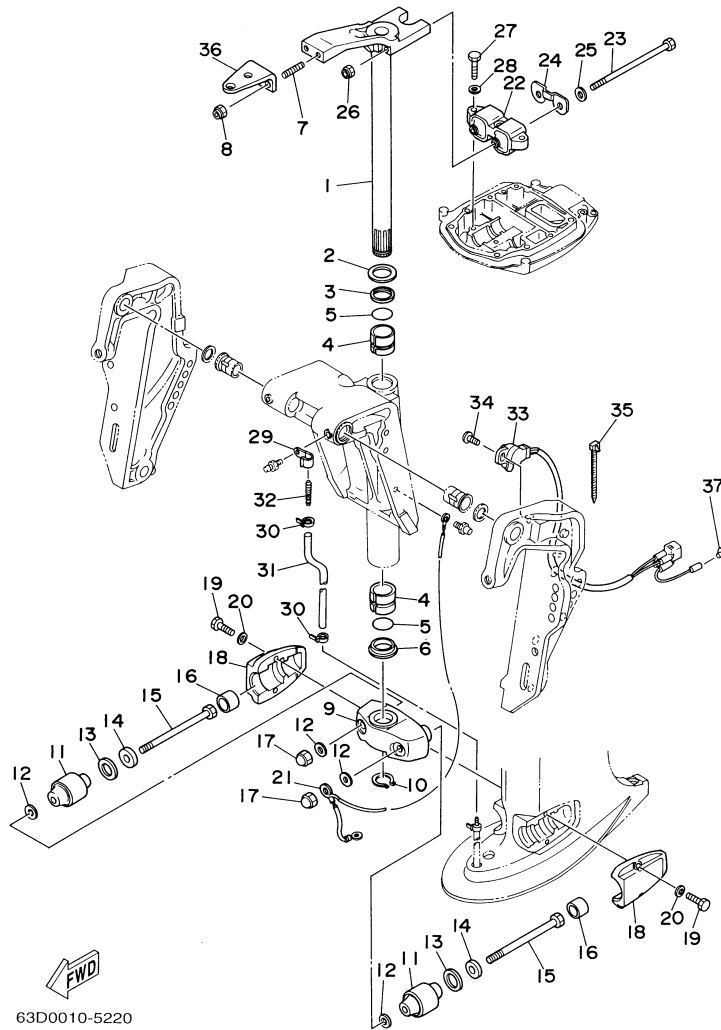
©2014 Yamaha Motor Corporation, U.S.A. All rights reserved.

Part List

40MLHY 2000 / BRACKET 3 40MH

| REF - NO | PART NUMBER | PART NAME | QUANTITY | REMARKS |
|----------|-----------------|------------------------------|----------|------------------------------------|
| 1 | 6H4-43160-01-00 | TILT ROD ASSY | 1 | (M) |
| 2 | 676-43165-00-00 | .PLATE, TILT LOCK | 1 | (M) |
| 3 | 91690-30010-00 | .PIN, SPRING | 1 | (M) |
| 4 | 90502-10M04-00 | SPRING, CONICAL | 1 | (M) |
| 5 | 6J8-43181-01-00 | LEVER, TILT STOP | 1 | (M) |
| 6 | 90506-12M25-00 | SPRING, TENSION | 1 | (M) |
| 7 | 90249-12M28-00 | PIN | 1 | (M) |
| 8 | 93430-10M00-00 | CIRCLIP | 1 | (M) |
| 9 | 90202-12031-00 | WASHER, PLATE | 2 | (M) |
| 10 | 682-43318-01-00 | COVER | 1 | (M) |
| 11 | 6J8-43627-00-00 | STOPPER | 2 | (M) |
| 12 | 90249-12M27-00 | PIN | 2 | (M) |
| 13 | 93430-10M00-00 | CIRCLIP | 2 | (M) |
| 14 | 90202-12031-00 | WASHER, PLATE | 2 | (M) |
| 15 | 90206-12M16-00 | WASHER, WAVE | 2 | (M) |
| 16 | 6J8-43614-00-00 | PLATE, TILT LOCK | 1 | (M) |
| 17 | 6J8-43615-00-00 | PLATE, TILT LOCK | 1 | (M) |
| 18 | 6J8-43613-01-00 | ARM, TILT LOCK | 1 | (M) |
| 19 | 6H4-43659-00-00 | SHAFT, REVERSE LOCK | 1 | (M) |
| 20 | 6J8-43611-01-00 | SHAFT, TILT LOCK | 1 | (M) |
| 21 | 90387-07M64-00 | COLLAR | 1 | (M) |
| 22 | 93430-06M02-00 | .CIRCLIP | 1 | (M) |
| 23 | 93430-05027-00 | CIRCLIP | 1 | (M) |
| 24 | 90506-32M22-00 | SPRING, TENSION | 2 | (M) |
| 25 | 6H4-43674-00-00 | WASHER | 2 | AP WITHOUT SHALLOW WATER DRIVE (M) |
| 26 | 91490-20010-00 | PIN. COTTER | 2 | (M) |
| 27 | 6J8-43631-00-00 | LEVER, TILT | 1 | (M) |
| 28 | 6J8-43633-00-00 | COVER, TILT LEVER | 1 | (M) |
| 29 | 90508-18M23-00 | SPRING, TORSION | 1 | FOR SHALLOW WATER DRIVE (M) |
| 29 | 90508-18M24-00 | SPRING, TORSION | 1 | AP (M) |
| 30 | 6H4-43616-00-00 | ROD, TILT LOCK | 1 | (M) |
| 31 | 6J8-43641-00-00 | LEVER, TILT | 1 | (M) |
| 32 | 90249-06M24-00 | PIN | 1 | FOR SHALLOW WATER DRIVE (M) |
| 32 | 90249-06M23-00 | PIN | 1 | AP (M) |
| 33 | 6J8-43617-00-00 | ROD, TILT LOCK | 1 | (M) |
| 34 | 93430-05027-00 | CIRCLIP | 1 | (M) |
| 35 | 6J8-43681-01-00 | LEVER, SHALLOW WATER DRIVE 1 | 1 | (M) |
| 36 | 6J8-43673-00-00 | WASHER 1 | 2 | (M) |
| 37 | 6J8-43631-10-00 | LEVER, TILT | 1 | (M) |
| 38 | 6J8-43633-00-00 | COVER, TILT LEVER | 1 | (M) |
| 39 | 6H4-43616-00-00 | ROD, TILT LOCK | 1 | (M) |
| 40 | 6J8-43641-00-00 | LEVER, TILT | 1 | (M) |
| 41 | 6J8-43617-10-00 | ROD, TILT LOCK | 1 | (M) |
| 42 | 6J8-43186-00-00 | LEVER | 1 | (M) |
| 43 | 6J8-43187-00-00 | LEVER 2 | 1 | (M) |
| 44 | 90508-25M21-00 | SPRING, TORSION | 1 | (M) |
| 45 | 90249-07M25-00 | PIN | 1 | (M) |
| 46 | 93430-05027-00 | CIRCLIP | 1 | (M) |
| 47 | 6J8-41262-00-00 | JOINT, CHOKE LEVER | 3 | (M) |
| 48 | 6J8-43616-10-00 | ROD, TILT LOCK | 1 | (M) |
| 49 | 90508-20M22-00 | SPRING, TORSION | 1 | (M) |

40MLHY 2000 / BRACKET 4



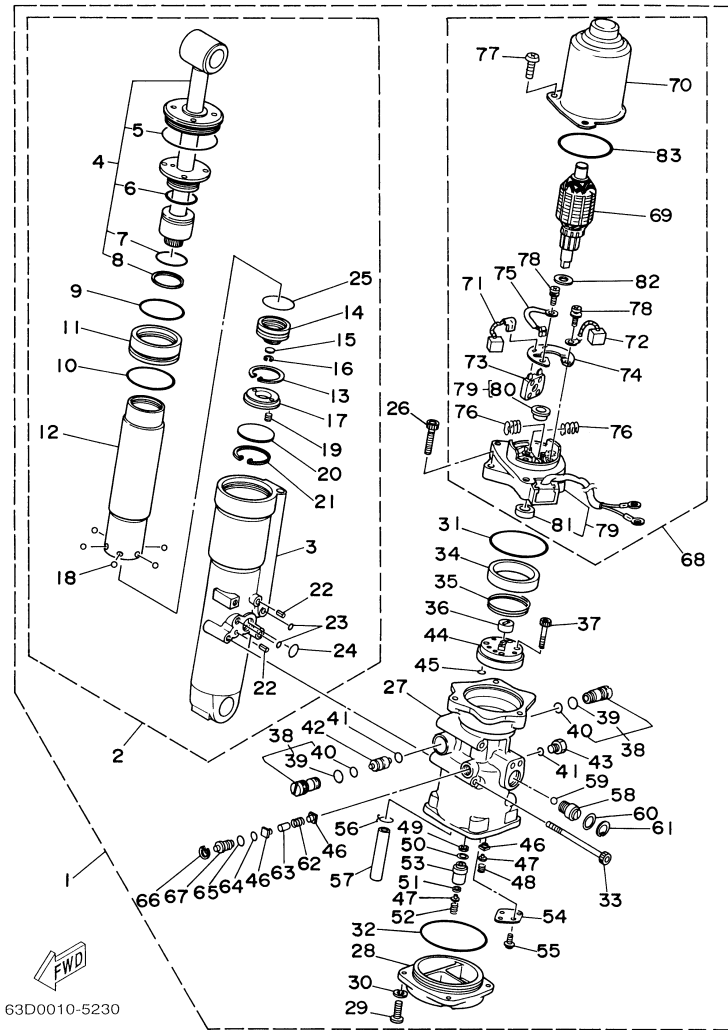
©2014 Yamaha Motor Corporation, U.S.A. All rights reserved.

Part List

40MLHY 2000 / BRACKET 4

| REF - NO | PART NUMBER | PART NAME | QUANTITY | REMARKS |
|----------|-----------------|-------------------------------|----------|---------------------------|
| 1 | 63D-42510-11-4D | STEERING BRACKET ASSY | 1 | UR 40TR L(E) |
| 1 | 63B-42510-00-4D | STEERING BRACKET ASSY | 1 | UR 40MH S (M) |
| 2 | 90201-30M00-00 | WASHER, PLATE | 1 | |
| 3 | 90386-30M78-00 | BUSH | 1 | |
| 4 | 90386-30M77-00 | BUSH | 2 | |
| 5 | 93210-29M94-00 | O-RING | 2 | |
| 6 | 90386-30M60-00 | BUSH | 1 | |
| 7 | 90116-10175-00 | BOLT, STUD | 2 | |
| 8 | 90185-10051-00 | NUT, SELF-LOCKING | 2 | |
| 9 | 63D-44551-01-4D | HOUSING, LOWER MOUNT RUBBER | 1 | |
| 10 | 93410-28M06-00 | CIRCLIP | 1 | |
| 11 | 63D-44555-00-94 | MOUNT DAMPER, LOWER SIDE | 2 | UR L(E) |
| 11 | 687-44555-00-94 | MOUNT DAMPER, LOWER SIDE | 2 | UR S |
| 12 | 90201-12M16-00 | WASHER, PLATE | 4 | |
| 13 | 90202-25M04-00 | WASHER, PLATE | 2 | |
| 14 | 90201-13M19-00 | WASHER, PLATE | 2 | |
| 15 | 90109-12M21-00 | BOLT | 2 | |
| 16 | 663-44575-00-00 | DAMPER, LOWER MOUNT RUBBER | 2 | |
| 17 | 95380-12800-00 | NUT, CROWN | 2 | |
| 18 | 63D-44552-01-4D | HOUSING, LOWER MOUNT RUBBER 2 | 2 | |
| 19 | 97075-08030-00 | BOLT | 4 | |
| 20 | 92995-08100-00 | WASHER | 4 | |
| 21 | 63D-82127-00-00 | WIRE, LEAD 2 | 1 | UR S |
| 21 | 63D-82127-10-00 | WIRE, LEAD 2 | 1 | UR L(E) |
| 22 | 63D-44514-01-94 | MOUNT DAMPER, UPPER SIDE | 1 | |
| 23 | 90101-08M15-00 | BOLT | 2 | |
| 24 | 63D-44526-00-00 | PLATE | 1 | |
| 25 | 90201-09425-00 | WASHER, PLATE | 2 | |
| 26 | 90185-08045-00 | NUT, SELF-LOCKING | 2 | |
| 27 | 97075-08030-00 | BOLT | 3 | |
| 28 | 92995-08100-00 | WASHER | 3 | |
| 29 | 90465-06M86-00 | .CLAMP | 1 | 40TR(E) |
| 30 | 90465-11M10-00 | CLAMP | 2 | 40TR(E) |
| 31 | 90445-07MF1-00 | HOSE (L570) | 1 | 40TR(E) |
| 32 | 6E5-83558-00-00 | END, NIPPLE | 1 | 40TR(E) |
| 33 | 63D-83672-00-00 | TRIM SENDER | 1 | 40TR(E) |
| 34 | 97885-06016-00 | SCREW, PAN HEAD | 2 | 40TR(E) |
| 35 | 90465-13M11-00 | CLAMP | 1 | 40TR(E) |
| 36 | 63D-48511-00-4D | HOOK, STEERING | 1 | AP STEERING GUIDE TYPE(E) |
| 37 | 703-82119-00-00 | COVER, LEAD WIRE | 1 | 40TR(E) |

40MLHY 2000 / POWER TRIM TILT ASSY



©2014 Yamaha Motor Corporation, U.S.A. All rights reserved.

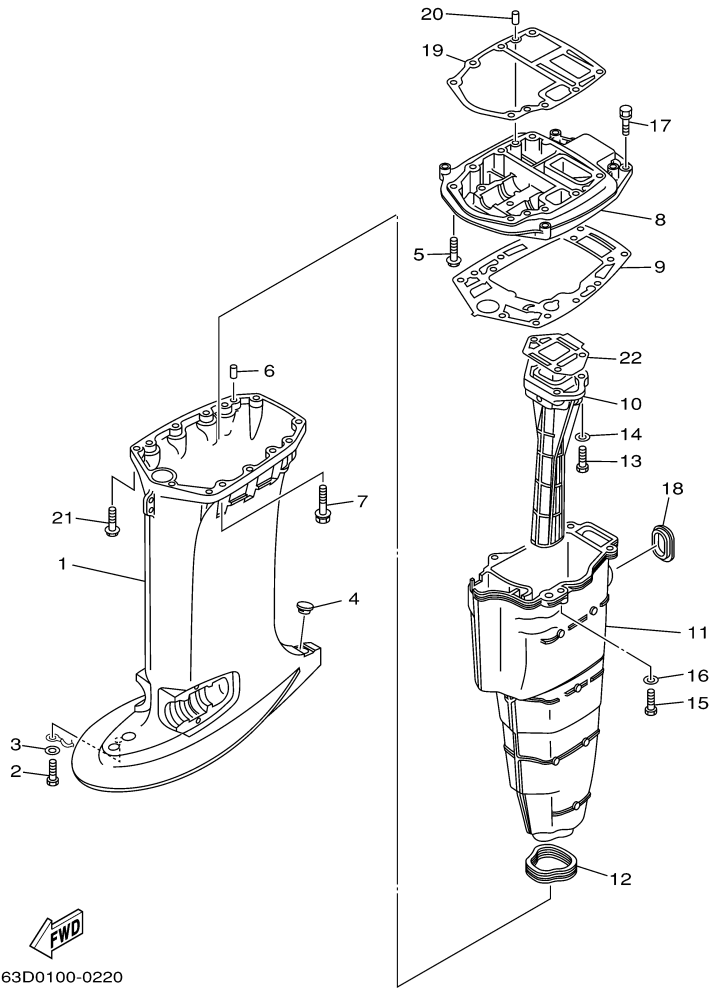
Part List

40MLHY 2000 / POWER TRIM TILT ASSY

| REF - NO | PART NUMBER | PART NAME | QUANTITY | REMARKS |
|----------------|-----------------|-----------------------------------|----------|---------|
| 1 | 62X-43800-03-4D | POWER TRIM & TILT ASSY | 1 | 40TR(E) |
| 2 | 62X-43840-01-00 | .POWER TILT ASSY | 1 | (E) |
| 3 | 62X-4380K-00-00 | ..SPRING, BRUSH | 1 | (E) |
| 4 | 62X-43810-01-00 | ..TILT PISTON SUB ASSY | 1 | (E) |
| 5 | 62X-43861-00-00 | ...O-RING | 1 | (E) |
| 6 | 62X-43862-00-00 | ...O-RING | 1 | (E) |
| 7 | 93210-29375-00 | ..O-RING | 1 | (E) |
| 8 | 62X-43871-00-00 | ...RING, BACK UP | 1 | (E) |
| 9 | 93210-44383-00 | ..O-RING | 1 | (E) |
| 10 | 93210-48214-00 | ..O-RING | 1 | (E) |
| 11 | 62X-4388A-00-00 | ..PISTON, TRIM | 1 | (E) |
| 12 | 62X-22471-00-00 | ..CYLINDER, SHOCK ABSORBER | 1 | (E) |
| 13 | 99009-35500-00 | ..CIRCLIP | 1 | (E) |
| 14 | 62X-43814-00-00 | ..PISTON, FREE | 1 | (E) |
| 15 | 6H1-4384G-11-00 | ..SEAL, RELIEF VALVE | 1 | (E) |
| 16 | 61A-43875-00-00 | ..RING, SNAP | 1 | (E) |
| 17 | 62X-43899-00-00 | ..PLATE STOPPER | 1 | (E) |
| 18 | 93503-16003-00 | ..BALL | 6 | (E) |
| 19 | 62X-4384H-00-00 | ..SPRING | 2 | (E) |
| 20 | 1UF-22434-00-00 | ..PLATE, VALVE 1 | 1 | (E) |
| 21 | 62X-43875-00-00 | ..RING, SNAP | 1 | (E) |
| 22 | 91690-40010-00 | ..PIN, SPRING | 2 | (E) |
| 23 | 93210-064A5-00 | ..O-RING | 2 | (E) |
| 24 | 62X-43864-00-00 | ..O-RING | 1 | (E) |
| 25 | 93210-29375-00 | ..O-RING | 1 | (E) |
| 26 | 62X-43888-00-00 | .BOLT, SOCKET | 3 | (E) |
| 27 | 62X-4380L-00-00 | .HOUSING, TRIM & TILT SUB ASSY | 1 | (E) |
| 28 | 62X-4385M-01-00 | .PLATE, RESERVOIR | 1 | (E) |
| 29 | 97095-06016-00 | .BOLT | 4 | (E) |
| 30 | 92995-06100-00 | .WASHER, SPRING | 4 | (E) |
| 31 | 62X-43865-00-00 | .O-RING | 1 | (E) |
| 32 | 62X-43866-00-00 | .O-RING | 1 | (E) |
| 33 | 62X-43878-00-00 | .BOLT, SOCKET | 3 | (E) |
| 34 | 6H1-43817-01-00 | .FILTER 2 | 1 | (E) |
| 35 | 6H1-4385H-00-00 | .SPRING, SEAL | 1 | (E) |
| 36 | 6H1-43831-10-00 | .CONNECTOR, SHAFT | 1 | (E) |
| 37 | 91318-04025-00 | .BOLT | 4 | (E) |
| 38 | 6T4-43802-03-00 | .VALVE SUB ASSY | 2 | (E) |
| 39 | 6H1-43866-00-00 | ..O-RING | 1 | (E) |
| 40 | 6H1-43867-00-00 | ..O-RING | 1 | (E) |
| 41 | 93210-09165-00 | .O-RING | 2 | (E) |
| 42 | 62X-43841-01-00 | .PISTON, SHUTTLE | 1 | (E) |
| 43 | 6H1-43829-00-00 | .PLUG, RESERVOIR | 1 | (E) |
| 44 | 62X-43830-00-00 | .GEAR PUMP ASSY | 1 | (E) |
| 45 | 93210-06519-00 | .O-RING | 2 | (E) |
| 46 | 6H1-4384F-10-00 | .SEAL, MAIN VALVE | 3 | (E) |
| 47 | 6H1-43844-10-00 | .PIN, VALVE SUPPORT | 2 | (E) |
| 48 | 6H1-43856-10-00 | .SPRING, DOWN RELIEF | 1 | (E) |
| 49 | 6H1-43816-00-00 | .FILTER 1 | 1 | (E) |
| 50 | 6H1-43896-00-00 | .O-RING | 1 | (E) |
| 51 | 6H1-4384G-11-00 | .SEAL, RELIEF VALVE | 1 | (E) |
| 52 | 6H1-43855-11-00 | .SPRING, UP RELIEF | 1 | (E) |
| 53 | 6H1-43895-11-00 | .SEAT, RELIEF VALVE | 1 | (E) |

| | | | | |
|----|-----------------|------------------------|---|-----|
| 54 | 62X-4382L-00-00 | .CAP, RELIEF VALVE | 1 | (E) |
| 55 | 97607-05210-00 | .SCREW, WITH WASHER | 2 | (E) |
| 56 | 90467-11032-00 | .CLIP | 1 | (E) |
| 57 | 62X-4383A-00-00 | .HOSE | 1 | (E) |
| 58 | 62X-43860-00-00 | .MANUAL VALVE SUB-ASSY | 1 | (E) |
| 59 | 93505-32038-00 | .BALL | 1 | (E) |
| 60 | 93210-18397-00 | .O-RING | 1 | (E) |
| 61 | 6H1-43875-00-00 | .RING, SNAP | 1 | (E) |
| 62 | 61A-4385H-00-00 | .SPRING, SEAL | 1 | (E) |
| 63 | 93605-10108-00 | .PIN, DOWEL | 1 | (E) |
| 64 | 93210-06001-00 | .O-RING | 1 | (E) |
| 65 | 93210-07003-00 | .O-RING | 1 | (E) |
| 66 | 6T4-43876-00-00 | .RING, SNAP | 1 | (E) |
| 67 | 6T4-43849-00-00 | .PIN, VALVE SUPPORT | 1 | (E) |
| 68 | 62X-43880-01-00 | .MOTOR ASSY | 1 | (E) |
| 69 | 62X-43805-00-00 | ..ARMATURE ASSY | 1 | (E) |
| 70 | 62X-43804-01-00 | ..STATOR ASSY | 1 | (E) |
| 71 | 62X-43891-00-00 | ..BRUSH 1 | 1 | (E) |
| 72 | 62X-43892-00-00 | ..BRUSH 2 | 1 | (E) |
| 73 | 62X-82181-00-00 | ..CIRCUIT BREAKER COMP | 1 | (E) |
| 74 | 62X-4380F-00-00 | ..PLATE, BRUSH HOLDER | 1 | (E) |
| 75 | 62X-43807-00-00 | ..WIRE SUB ASSY | 1 | (E) |
| 76 | 62X-4386K-00-00 | ..SPRING, BRUSH | 2 | (E) |
| 77 | 97880-05020-00 | ..SCREW, PAN HEAD | 3 | (E) |
| 78 | 97607-04212-00 | ..SCREW, WITH WASHER | 2 | (E) |
| 79 | 62X-43881-00-00 | ..FRAME, END | 1 | (E) |
| 80 | 62X-4380H-00-00 | ..METAL | 1 | (E) |
| 81 | 93102-08414-00 | ...OIL SEAL | 1 | (E) |
| 82 | 90201-083J8-00 | ..WASHER, PLATE | 1 | (E) |
| 83 | 93210-52449-00 | ..O-RING | 1 | (E) |

40MLHY 2000 / UPPER CASING



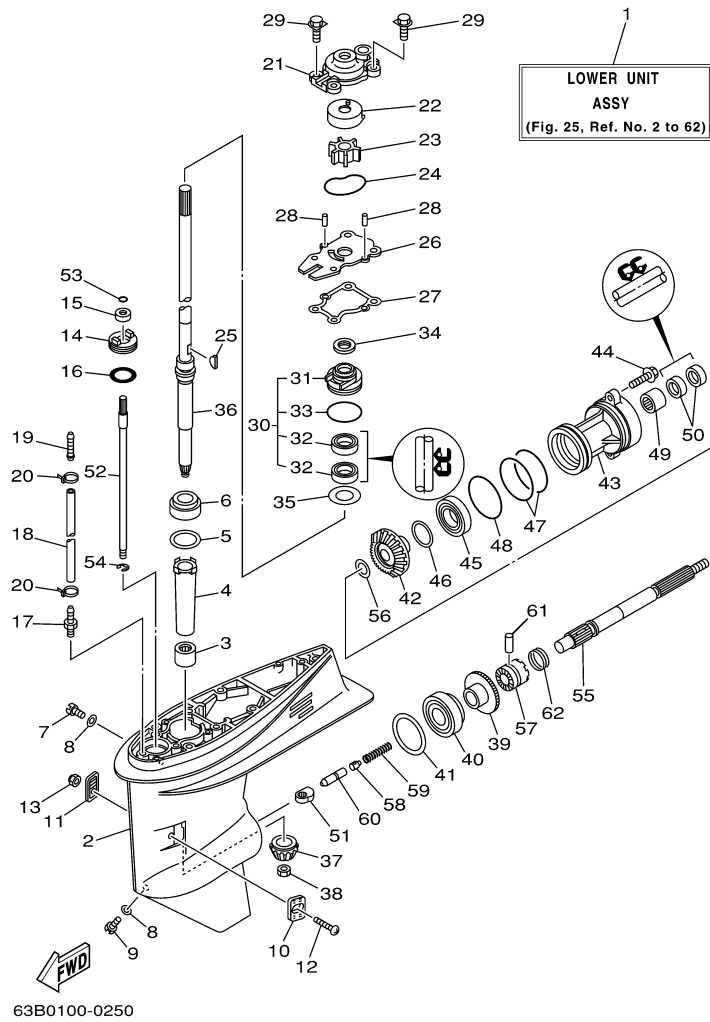
©2014 Yamaha Motor Corporation, U.S.A. All rights reserved.

Part List

40MLHY 2000 / UPPER CASING

| REF - NO | PART NUMBER | PART NAME | QUANTITY | REMARKS |
|----------------|-----------------|-----------------------------|----------|--------------|
| 1 | 63D-45111-01-4D | CASING, UPPER | 1 | UR S |
| 1 | 63D-45111-11-4D | CASING, UPPER | 1 | UR L(E) |
| 2 | 97095-06012-00 | BOLT | 1 | |
| 3 | 92995-06100-00 | WASHER, SPRING | 1 | |
| 4 | 63D-45155-00-00 | CAP | 1 | |
| 5 | 97575-08445-00 | BOLT, WITH WASHER | 2 | |
| 6 | 93606-12019-00 | .PIN, DOWEL | 2 | |
| 7 | 90119-08M83-00 | BOLT, WITH WASHER | 6 | |
| 8 | 63D-41137-01-5B | GUIDE, EXHAUST | 1 | |
| 9 | 63D-45114-A0-00 | .GASKET, UPPER CASING | 1 | |
| 10 | 6H4-41131-01-5B | MANIFOLD, EXT. 1 | 1 | UR 40TR,40MH |
| 11 | 63D-14711-11-5B | MUFFLER 1 | 1 | UR L(E) |
| 11 | 63D-14711-00-5B | MUFFLER 1 | 1 | UR S |
| 12 | 63D-45123-00-00 | .GASKET, MUFFLER | 1 | |
| 13 | 97075-08030-00 | BOLT | 3 | |
| 14 | 92995-08600-00 | WASHER | 3 | |
| 15 | 97075-08030-00 | BOLT | 4 | |
| 16 | 92995-08600-00 | WASHER | 4 | |
| 17 | 90119-08M79-00 | BOLT, WITH WASHER | 2 | |
| 18 | 6H3-45127-00-00 | SEAL | 1 | |
| 19 | 6H4-45113-A0-00 | GASKET, UPPER CASING | 1 | |
| 20 | 93606-12019-00 | .PIN, DOWEL | 2 | |
| 21 | 97575-08445-00 | BOLT, WITH WASHER | 2 | |
| 22 | 6H4-41134-A0-00 | GASKET, EXHAUST MANIFOLD | 1 | |

40MLHY 2000 / LOWER CASING DRIVE 1



©2014 Yamaha Motor Corporation, U.S.A. All rights reserved.

Part List




40MLHY 2000 / LOWER CASING DRIVE 1

| REF - NO | PART NUMBER | PART NAME | QUANTITY | REMARKS |
|----------|-----------------|-------------------------|----------|--------------|
| 1 | 63D-45300-01-4D | LOWER UNIT ASSY | 1 | UR S |
| 1 | 63D-45300-11-4D | LOWER UNIT ASSY | 1 | UR L(E) |
| 2 | 63D-45301-02-4D | CASING, LOWER | 1 | |
| 3 | 93315-32224-00 | BEARING | 1 | |
| 4 | 6H4-45536-00-00 | SLEEVE, DRIVE SHAFT | 1 | |
| 5 | 663-45587-01-10 | SHIM (T:0.10MM) | 1 | UR |
| 5 | 663-45587-01-12 | SHIM (T:0.12MM) | 1 | UR |
| 5 | 663-45587-01-15 | SHIM (T:0.15MM) | 1 | UR |
| 5 | 663-45587-01-50 | SHIM (T:0.50MM) | 1 | UR |
| 5 | 663-45587-01-30 | SHIM (T:0.30MM) | 1 | UR |
| 5 | 663-45587-01-40 | SHIM (T:0.40MM) | 1 | UR |
| 5 | 663-45587-01-18 | SHIM (T:0.18MM) | 1 | UR |
| 6 | 93332-00001-00 | BEARING | 1 | |
| 7 | 90340-08M04-00 | PLUG, STRAIGHT SCREW | 1 | |
| 8 | 90430-08020-00 | .GASKET | 2 | |
| 9 | 688-45341-00-00 | PLUG, DRAIN | 1 | |
| 10 | 63D-45214-00-00 | COVER, WATER INLET 1 | 1 | |
| 11 | 63D-45215-00-00 | COVER, WATER INLET 2 | 1 | |
| 12 | 90142-05M06-00 | SCREW, COUNTERSUNK | 1 | |
| 13 | 95380-05600-00 | NUT | 1 | |
| 14 | 63D-45321-00-00 | PLATE | 1 | |
| 15 | 93106-09014-00 | .OIL SEAL | 1 | |
| 16 | 93210-33MG4-00 | .O-RING | 1 | |
| 17 | 6E5-45378-00-00 | NIPPLE, HOSE | 1 | |
| 18 | 90445-07M31-00 | HOSE (L200) | 1 | UR L(E) |
| 18 | 90445-07ME9-00 | HOSE (L120) | 1 | UR S |
| 19 | 6E5-83558-10-00 | END, NIPPLE | 1 | UR 40TR(E) |
| 19 | 6E5-83558-00-00 | END, NIPPLE | 1 | UR 50ER,40MH |
| 20 | 90465-11M10-00 | CLAMP | 2 | |
| 21 | 63D-44311-00-00 | HOUSING, WATER PUMP | 1 | |
| 22 | 63D-44322-00-00 | .INSERT, CARTRIDGE | 1 | |
| 23 | 6H3-44352-00-00 | .IMPELLER | 1 | |
| 24 | 93210-59MG7-00 | .O-RING | 1 | |
| 25 | 90280-03024-00 | .KEY, WOODRUFF | 1 | |
| 26 | 63D-44323-00-00 | .OUTER PLATE, CARTRIDGE | 1 | |
| 27 | 63D-44316-00-00 | .GASKET, WATER PUMP | 1 | |
| 28 | 93604-08062-00 | PIN, DOWEL | 2 | |
| 29 | 90119-08M15-00 | .BOLT, WITH WASHER | 4 | |
| 30 | 63D-W4434-00-00 | WATER PUMP HOUSING ASSY | 1 | |
| 31 | 63D-44341-00-00 | .HOUSING, WATER PUMP | 1 | |
| 32 | 93101-25M57-00 | .OIL SEAL | 2 | |
| 33 | 93210-48MG8-00 | .O-RING | 1 | |
| 34 | 63D-45344-00-00 | COVER, OIL SEAL | 1 | |
| 35 | 90201-27M00-00 | WASHER, PLATE | 1 | |
| 36 | 63D-45501-00-00 | DRIVE SHAFT COMP. | 1 | UR S |
| 36 | 63D-45501-10-00 | DRIVE SHAFT COMP. | 1 | UR L(E) |
| 37 | 6H4-45551-01-00 | PINION (13T) | 1 | |
| 38 | 90170-12138-00 | NUT | 1 | |
| 39 | 6H4-45560-01-00 | GEAR 1 (24T) | 1 | |
| 40 | 93332-00003-00 | BEARING | 1 | |
| 41 | 663-45567-01-10 | SHIM (T:0.10MM) | 1 | UR |
| 41 | 663-45567-01-12 | SHIM (T:0.12MM) | 1 | UR |
| 41 | 663-45567-01-15 | SHIM (T:0.15MM) | 1 | UR |

| | | | | |
|----|-----------------|---------------------|---|----|
| 41 | 663-45567-01-50 | SHIM (T:0.50MM) | 1 | UR |
| 41 | 663-45567-01-30 | SHIM (T:0.30MM) | 1 | UR |
| 41 | 663-45567-01-40 | SHIM (T:0.40MM) | 1 | UR |
| 41 | 663-45567-01-18 | SHIM (T:0.18MM) | 1 | UR |
| 42 | 6H4-45571-01-00 | GEAR 2 (24T) | 1 | |
| 43 | 63D-45361-02-4D | CAP, LOWER CASING | 1 | |
| 44 | 90105-08M61-00 | BOLT, FLANGE | 2 | |
| 45 | 93306-001U1-00 | BEARING | 1 | |
| 46 | 63D-45577-00-10 | SHIM (T:0.10MM) | 1 | UR |
| 46 | 63D-45577-00-12 | SHIM (T:0.12MM) | 1 | UR |
| 46 | 63D-45577-00-15 | SHIM (T:0.15MM) | 1 | UR |
| 46 | 63D-45577-00-50 | SHIM (T:0.50MM) | 1 | UR |
| 46 | 63D-45577-00-30 | SHIM (T:0.30MM) | 1 | UR |
| 46 | 63D-45577-00-40 | SHIM (T:0.40MM) | 1 | UR |
| 46 | 63D-45577-00-18 | SHIM (T:0.18MM) | 1 | UR |
| 47 | 93210-74MG5-00 | .O-RING | 2 | |
| 48 | 93210-69MG6-00 | .O-RING | 1 | |
| 49 | 93317-22204-00 | BEARING | 1 | |
| 50 | 93101-22M00-00 | .OIL SEAL | 2 | |
| 51 | 663-44151-00-00 | CAM, SHIFT | 1 | |
| 52 | 63D-44144-00-00 | ROD, SHIFT | 1 | |
| 53 | 93210-07003-00 | .O-RING | 1 | |
| 54 | 93430-08006-00 | CIRCLIP | 1 | |
| 55 | 63D-45611-00-00 | SHAFT, PROPELLER | 1 | |
| 56 | 90201-22429-00 | WASHER, PLATE | 1 | |
| 57 | 63D-45631-01-00 | CLUTCH, DOG | 1 | |
| 58 | 663-45634-00-00 | SLIDE, SHIFT | 1 | |
| 59 | 90501-16M01-00 | SPRING, COMPRESSION | 1 | |
| 60 | 63D-45635-00-00 | PLUNGER, SHIFT | 1 | |
| 61 | 90250-06023-00 | PIN, STRAIGHT | 1 | |
| 62 | 663-45633-00-00 | RING, CROSS PIN | 1 | |

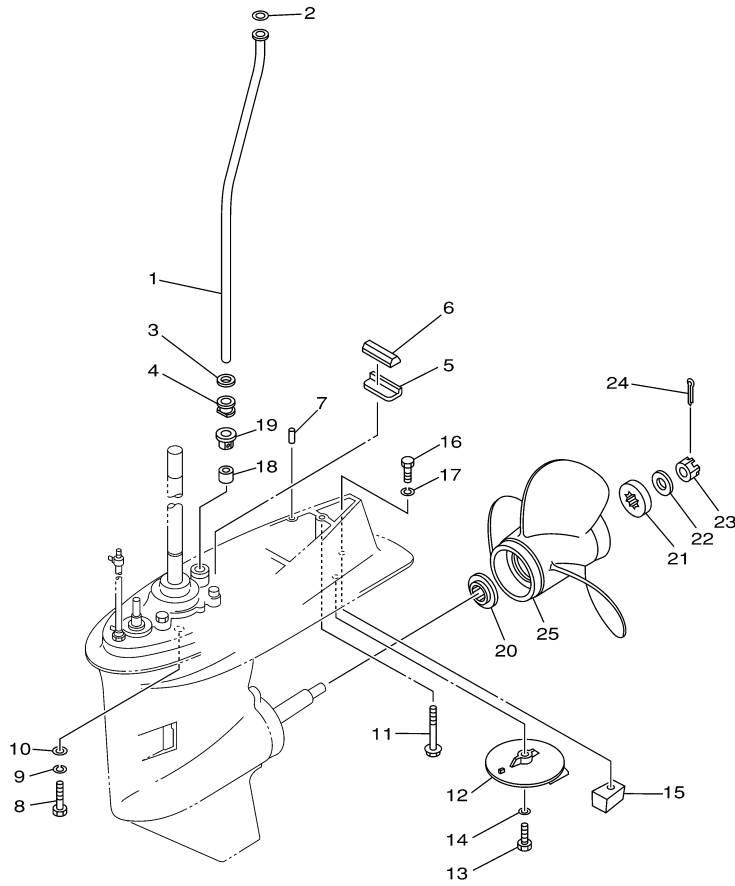
Part Notes

40MLHY 2000 / LOWER CASING DRIVE 1

| PART NUMBER | | NOTE TEXT |
|-----------------|---|--|
| 90430-08020-00 |  | OEM: This part number is among the Top 100 Most Popular Marine Maintenance Parts as of March 2014. |
| 93106-09014-00 |  | OEM: This part number is among the Top 100 Most Popular Marine Maintenance Parts as of March 2014. |
| 6H3-44352-00-00 |  | OEM: This part number is among the Top 100 Most Popular Marine Maintenance Parts as of March 2014. |

©2014 Yamaha Motor Corporation, U.S.A. All rights reserved.

40MLHY 2000 / LOWER CASING DRIVE 2




63D0100-0241

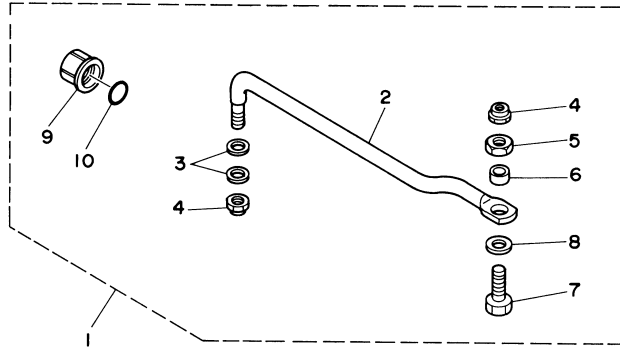
Part List

40MLHY 2000 / LOWER CASING DRIVE 2

| REF - NO | PART NUMBER | PART NAME | QUANTITY | REMARKS |
|----------|-----------------|-----------------------------|----------|-----------------|
| 1 | 63D-44361-00-00 | TUBE, WATER | 1 | UR S |
| 1 | 63D-44361-10-00 | TUBE, WATER | 1 | UR L(E) |
| 2 | 90202-12060-00 | WASHER, PLATE | 1 | |
| 3 | 90430-12072-00 | GASKET | 1 | |
| 4 | 63D-44367-00-00 | DAMPER, WATER SEAL | 1 | |
| 5 | 663-45376-00-94 | GUIDE, SEAL DAMPER | 1 | |
| 6 | 63D-45375-00-00 | DAMPER, SEAL | 1 | |
| 7 | 93606-12019-00 | .PIN, DOWEL | 2 | |
| 8 | 97075-10040-00 | BOLT | 4 | |
| 9 | 92995-10100-00 | WASHER | 4 | |
| 10 | 92995-10600-00 | WASHER | 4 | |
| 11 | 90119-08M84-00 | BOLT, WITH WASHER | 1 | |
| 12 | 664-45371-01-00 | TAB-TRIM | 1 | |
| 13 | 97095-08025-00 | BOLT | 1 | |
| 14 | 92995-08100-00 | WASHER | 1 | |
| 15 | 67C-45251-00-00 | ANODE | 1 | |
| 16 | 97095-08035-00 | BOLT | 1 | |
| 17 | 92995-08100-00 | WASHER | 1 | |
| 18 | 663-44366-00-00 | .DAMPER, WATER SEAL 2 | 1 | |
| 19 | 63D-44312-00-00 | .COVER, WATER PUMP HOUSING | 1 | |
| 20 | 663-45987-02-00 | SPACER 1 | 1 | |
| 21 | 670-45997-02-00 | SPACER | 1 | |
| 22 | 92990-16200-00 | WASHER, PLAIN | 1 | |
| 23 | 90171-16011-00 | NUT, CASTLE | 1 | |
| 24 | 91490-30025-00 | PIN. COTTER | 1 | |
| 25 | 663-45941-01-EL | PROPELLER (3X10-3/4"X17"-G) | 1 | UR |
| 25 | 697-45970-00-98 | PROPELLER (3X11-1/4"X14"-G) | 1 | UR |
| 25 | 6H5-45945-00-EL | PROPELLER (3X10-5/8X12"-G) | 1 | UR WITH LIP CUP |
| 25 | 663-45947-02-EL | PROPELLER (3X11-5/8"X11"-G) | 1 | UR |
| 25 | 663-45949-01-EL | PROPELLER (3X10-3/4"X16"-G) | 1 | UR |
| 25 | 6H5-45952-00-EL | PROPELLER (3X10-3/8X13"-G) | 1 | UR WITH LIP CUP |
| 25 | 663-45956-01-EL | PROPELLER (3X12-1/4"X9"-G) | 1 | UR |
| 25 | 663-45956-01-EL | PROPELLER (3X12-1/4"X9"-G) | 1 | UR |
| 25 | 6H5-45958-00-EL | PROPELLER (3X10-1/4"X14"-G) | 1 | UR WITH LIP CUP |
| 25 | 663-45970-60-98 | PROPELLER (3X11-3/4"X12"-G) | 1 | UR |
| 25 | 663-45972-60-98 | PROPELLER (3X12"X11"-G) | 1 | UR |
| 25 | 663-45974-60-98 | PROPELLER (3X11-1/2"X13"-G) | 1 | UR |
| 25 | 663-45976-00-98 | PROPELLER (3X10-1/4"X15"-G) | 1 | UR |
| 25 | 663-45978-00-98 | PROPELLER (3X10-1/4"X16"-G) | 1 | UR |
| 25 | 663-45930-00-98 | PROPELLER (3X10-1/4"X14"-G) | 1 | UR |
| 25 | 663-45945-02-EL | PROPELLER (3X11-1/8"X13"-G) | 1 | UR |
| 25 | 663-45958-01-EL | PROPELLER (3X11-1/4"X14"-G) | 1 | UR |
| 25 | 663-45974-02-98 | PROPELLER (3X10-5/8"X13"-G) | 1 | UR |

| | | | | |
|----|-----------------|-----------------------------|---|-----------------|
| | | G) | | |
| 25 | 663-45952-02-EL | PROPELLER (3X11-3/8"X12"-G) | 1 | UR |
| 25 | 6H5-45943-00-EL | PROPELLER (3X10"X15"-G) | 1 | UR WITH LIP CUP |

40MLHY 2000 / STEERING GUIDE



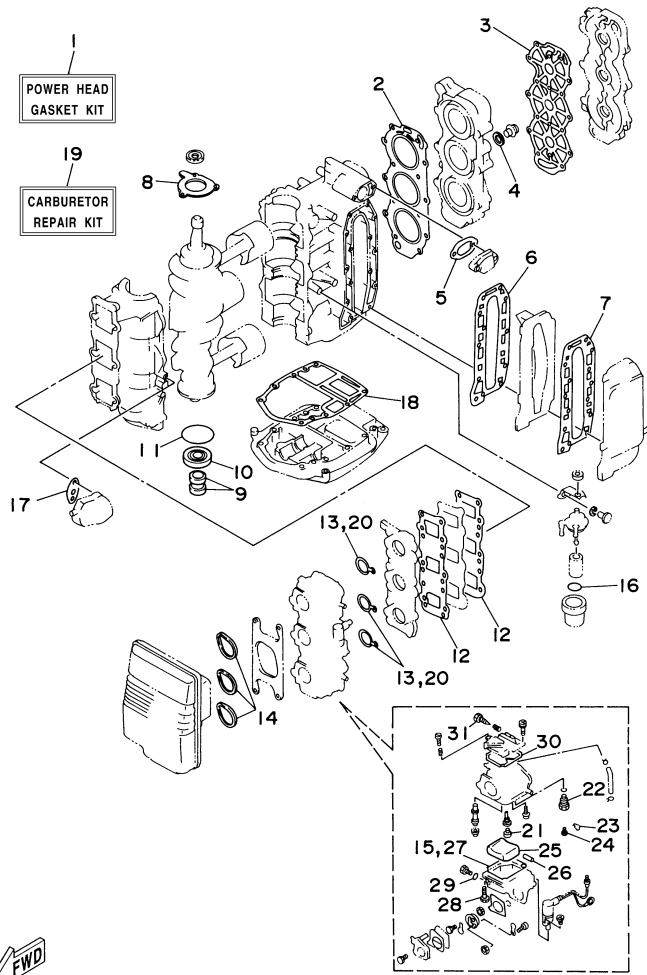
62Y0010-5200

Part List

40MLHY 2000 / STEERING GUIDE

| REF - NO | PART NUMBER | PART NAME | QUANTITY | REMARKS |
|----------------|-----------------|----------------------------------|----------|---------|
| 1 | 63D-61350-00-00 | STEERING GUIDE ATTACHMENT KIT | 1 | AP(E) |
| 2 | 63D-61351-00-00 | .ROD, STEERING LINK | 1 | (E) |
| 3 | 90201-10M20-00 | .WASHER, PLATE | 2 | (E) |
| 4 | 90185-09M01-00 | .NUT, SELF-LOCKING | 2 | (E) |
| 5 | 90170-09M03-00 | .NUT | 1 | (E) |
| 6 | 90387-10M42-00 | .COLLAR | 1 | (E) |
| 7 | 90101-09M01-00 | .BOLT | 1 | (E) |
| 8 | 90201-10M63-00 | .WASHER, PLATE | 1 | (E) |
| 9 | 6E5-43145-01-00 | .CAP, CLAMP BRACKET | 1 | (E) |
| 10 | 93210-16275-00 | .O-RING | 1 | (E) |

40MLHY 2000 / REPAIR KIT 1



63D0010-5270



Part List

40MLHY 2000 / REPAIR KIT 1

| REF - NO | PART NUMBER | PART NAME | QUANTITY | REMARKS |
|----------|-----------------|------------------------------|----------|---------|
| 1 | 63D-W0001-00-00 | POWER HEAD GASKET KIT | 1 | |
| 2 | 63D-11181-A1-00 | .GASKET, CYLINDER HEAD 1 | 1 | |
| 3 | 63D-11193-A0-00 | .GASKET, HEAD COVER 1 | 1 | |
| 4 | 90430-14115-00 | .GASKET | 1 | |
| 5 | 61A-12414-A0-00 | .GASKET, COVER | 1 | |
| 6 | 6H4-41112-A0-00 | .GASKET, EXHAUST INNER COVER | 1 | |
| 7 | 6H4-41114-A0-00 | .GASKET, EXHAUST COVER | 1 | |
| 8 | 6H4-15369-A1-00 | .GASKET, OIL SEAL HOUSING | 1 | |
| 9 | 93104-16M01-00 | .OIL SEAL | 2 | |
| 10 | 93102-25M28-00 | .OIL SEAL | 1 | |
| 11 | 93210-58M21-00 | .O-RING | 1 | |
| 12 | 6H4-13621-A1-00 | .GASKET, VALVE SEAT | 2 | |
| 13 | 6H4-14198-01-00 | .GASKET | 3 | |
| 14 | 6H3-14457-01-00 | .SEAL | 3 | |
| 15 | 6H4-14984-00-00 | .GASKET, FLOAT CHAMBER | 3 | |
| 16 | 93210-32738-00 | .O-RING | 1 | |
| 17 | 650-24431-A0-00 | .GASKET, FUEL PUMP 1 | 1 | |
| 18 | 6H4-45113-A0-00 | .GASKET, UPPER CASING | 1 | |
| 19 | 6H4-W0093-03-00 | CARBURETOR REPAIR KIT | 1 | |
| 20 | 6H4-14198-01-00 | .GASKET | 3 | |
| 21 | 676-14966-00-00 | .CAP | 3 | |
| 22 | 6H4-14590-00-00 | .NEEDLE VALVE ASSY | 3 | |
| 23 | 663-14159-00-00 | .CLIP | 3 | |
| 24 | 676-14186-00-00 | .PIN, FLOAT | 3 | |
| 25 | 6H4-14985-01-00 | .FLOAT | 3 | |
| 26 | 6H4-14548-00-00 | .PIN, FLOAT ARM | 3 | |
| 27 | 6H4-14984-00-00 | .GASKET, FLOAT CHAMBER | 3 | |
| 28 | 97980-04114-00 | .SCREW, WITH WASHER | 3 | |
| 29 | 93210-04230-00 | .O-RING | 3 | |
| 30 | 6H4-14147-00-00 | .O-RING | 3 | |
| 31 | 692-14923-00-00 | .SCREW, PILOT | 3 | |

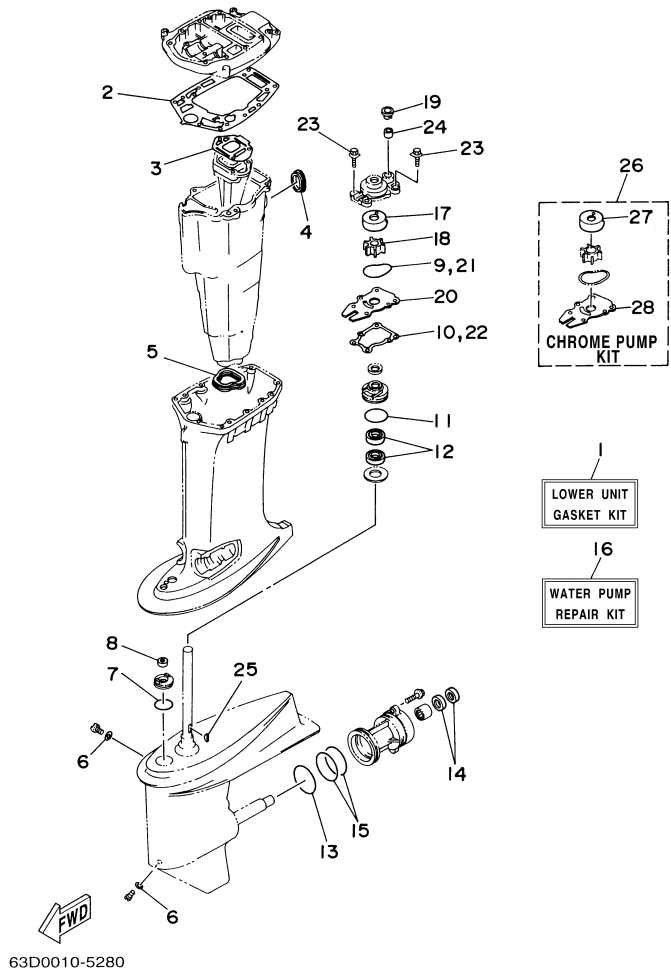
Part Notes

40MLHY 2000 / REPAIR KIT 1

| PART NUMBER | NOTE TEXT |
|---|--|
| 61A-12414-A0-00  | OEM: This part number is among the Top 100 Most Popular Marine Maintenance Parts as of March 2014. |
| 650-24431-A0-00  | OEM: This part number is among the Top 100 Most Popular Marine Maintenance Parts as of March 2014. |

©2014 Yamaha Motor Corporation, U.S.A. All rights reserved.

40MLHY 2000 / REPAIR KIT 2



©2014 Yamaha Motor Corporation, U.S.A. All rights reserved.





Part List

40MLHY 2000 / REPAIR KIT 2

| REF - NO | PART NUMBER | PART NAME | QUANTITY | REMARKS |
|----------|-----------------|----------------------------|----------|---------|
| 1 | 63D-W0001-20-00 | LOWER UNIT GASKET KIT | 1 | |
| 2 | 63D-45114-A0-00 | .GASKET, UPPER CASING | 1 | |
| 3 | 6H4-41134-A0-00 | .GASKET, EXHAUST MANIFOLD | 1 | |
| 4 | 6H3-45127-00-00 | .SEAL | 1 | |
| 5 | 63D-45123-00-00 | .GASKET, MUFFLER | 1 | |
| 6 | 90430-08020-00 | .GASKET | 2 | |
| 7 | 93210-33MG4-00 | .O-RING | 1 | |
| 8 | 93106-09014-00 | .OIL SEAL | 1 | |
| 9 | 93210-59MG7-00 | .O-RING | 1 | |
| 10 | 63D-44316-00-00 | .GASKET, WATER PUMP | 1 | |
| 11 | 93210-48MG8-00 | .O-RING | 1 | |
| 12 | 93101-25M57-00 | .OIL SEAL | 2 | |
| 13 | 93210-69MG6-00 | .O-RING | 1 | |
| 14 | 93101-22M00-00 | .OIL SEAL | 2 | |
| 15 | 93210-74MG5-00 | .O-RING | 2 | |
| 16 | 63D-W0078-01-00 | WATER PUMP REPAIR KIT | 1 | |
| 17 | 63D-44322-00-00 | .INSERT, CARTRIDGE | 1 | |
| 18 | 6H3-44352-00-00 | .IMPELLER | 1 | |
| 19 | 63D-44312-00-00 | .COVER, WATER PUMP HOUSING | 1 | |
| 20 | 63D-44323-00-00 | .OUTER PLATE, CARTRIDGE | 1 | |
| 21 | 93210-59MG7-00 | .O-RING | 1 | |
| 22 | 63D-44316-00-00 | .GASKET, WATER PUMP | 1 | |
| 23 | 90119-08M15-00 | .BOLT, WITH WASHER | 4 | |
| 24 | 663-44366-00-00 | .DAMPER, WATER SEAL 2 | 1 | |
| 25 | 90280-03024-00 | .KEY, WOODRUFF | 1 | |
| 26 | 63D-W0078-0A-00 | CHROME PUMP KIT | 1 | |
| 27 | 63D-44322-40-00 | .INSERT, CARTRIDGE | 1 | |
| 28 | 63D-44323-40-00 | .OUTER PLATE, CARTRIDGE | 1 | |

Part Notes

40MLHY 2000 / REPAIR KIT 2

| PART NUMBER | | NOTE TEXT |
|-----------------|---|--|
| 90430-08020-00 |  | OEM: This part number is among the Top 100 Most Popular Marine Maintenance Parts as of March 2014. |
| 93106-09014-00 |  | OEM: This part number is among the Top 100 Most Popular Marine Maintenance Parts as of March 2014. |
| 63D-W0078-01-00 |  | OEM: This part number is among the Top 100 Most Popular Marine Maintenance Parts as of March 2014. |
| 6H3-44352-00-00 |  | OEM: This part number is among the Top 100 Most Popular Marine Maintenance Parts as of March 2014. |

©2014 Yamaha Motor Corporation, U.S.A. All rights reserved.

40MLHY 2000 / MODELS IN THIS CATALOG

40MJHY (63B)

Engine Serial No. 40MJHY : 6H4S-193567 and following

40TLRY (63D)

Engine Serial No. 40TLRY : 6H4L-549203 and following

50EJRY (62X)

Engine Serial No. 50EJRY : 6H5S-090723 and following

**ALL THESE MODELS USE THIS SAME PARTS CATALOG.
BE SURE TO ORDER ONLY THOSE PARTS APPLICABLE
TO THE DESIRED MODEL.**

©2014 Yamaha Motor Corporation, U.S.A. All rights reserved.

©2014 Yamaha Motor Corporation, U.S.A. All rights reserved.