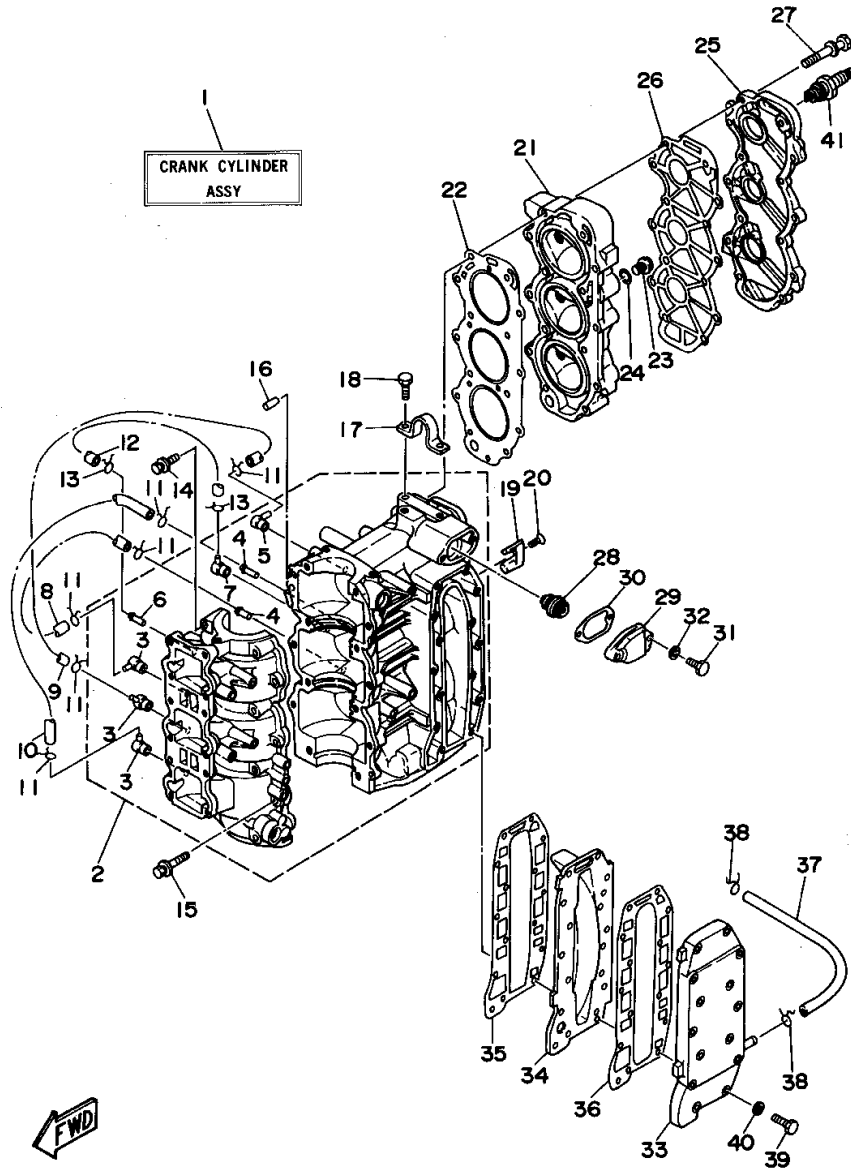


40MLHS 1994 / CYLINDER CRANKCASE



©2014 Yamaha Motor Corporation, U.S.A. All rights reserved.



## Part List

40MLHS 1994 / CYLINDER CRANKCASE

REF - NO	PART NUMBER	PART NAME	QUANTITY	REMARKS
1	6H4-W0090-42-4D	CRANK CYLINDER ASSEMBLY (REF. #2~40, & CRANKSHAFT - PI)	1	
2	6H4-15100-12-94	CRANKCASE ASSEMBLY	1	
3	650-11370-00-00	.CHECK VALVE ASSY	3	
4	624-14485-00-00	.PIPE, JOINT	2	
5	6H4-11372-00-00	.NIPPLE, HOSE	1	
6	624-14485-00-00	.PIPE, JOINT	1	
7	688-11370-00-00	.CHECK VALVE ASSY	1	
8	90445-07M46-00	HOSE (L360)	1	
9	90445-07M72-00	HOSE (L250)	1	
10	90445-07M24-00	HOSE (L240)	1	
11	90467-06016-00	CLIP	6	
12	90445-07MA3-00	HOSE (L200)	1	
13	90467-06016-00	CLIP	2	
14	90119-08M19-00	BOLT, WITH WASHER	8	
15	90119-06M13-00	BOLT, WITH WASHER	6	
16	93606-12019-00	.PIN, DOWEL	2	
17	6H4-11119-00-00	HANGER, ENGINE	1	
18	97313-06014-00	BOLT, HEXAGON	2	
19	688-11325-00-00	ANODE	2	
20	98680-04016-00	SCREW OVAL HEAD	2	
21	6H4-11111-01-94	HEAD, CYLINDER 1	1	
22	6H4-11181-A0-00	GASKET, CYLINDER HEAD 1	1	
23	90340-14M00-00	.PLUG, STRAIGHT SCREW	1	
24	90430-14115-00	.GASKET	1	
25	6H4-11191-01-9M	COVER, CYLINDER HEAD 1	1	
26	6H4-11193-A1-00	GASKET, HEAD COVER 1	1	
27	90119-08M29-00	BOLT, WITH WASHER	14	
28	6E5-12411-20-00	THERMOSTAT	1	
29	6H4-12413-00-9M	COVER, THERMOSTAT	1	
30	6J8-12414-A0-00	GASKET, COVER	1	
31	97395-06025-00	BOLT	2	
32	92990-06600-00	WASHER, PLATE	2	
33	6H4-41113-00-9M	OUTER COVER, EXHAUST	1	
34	6H4-41111-00-9M	INNER COVER, EXHAUST	1	
35	6H4-41112-A0-00	.GASKET, EXHAUST INNER COVER	1	
36	6H4-41114-A0-00	GASKET, EXHAUST COVER	1	
37	90445-09M37-00	HOSE (L240)	1	
38	90467-08004-00	CLIP	1	
39	97013-06035-00	BOLT	14	
40	92990-06600-00	WASHER, PLATE	14	
41	NGK-B7HS1-00-00	PLUG, SPARK (NGK B7HS- 10)	3	

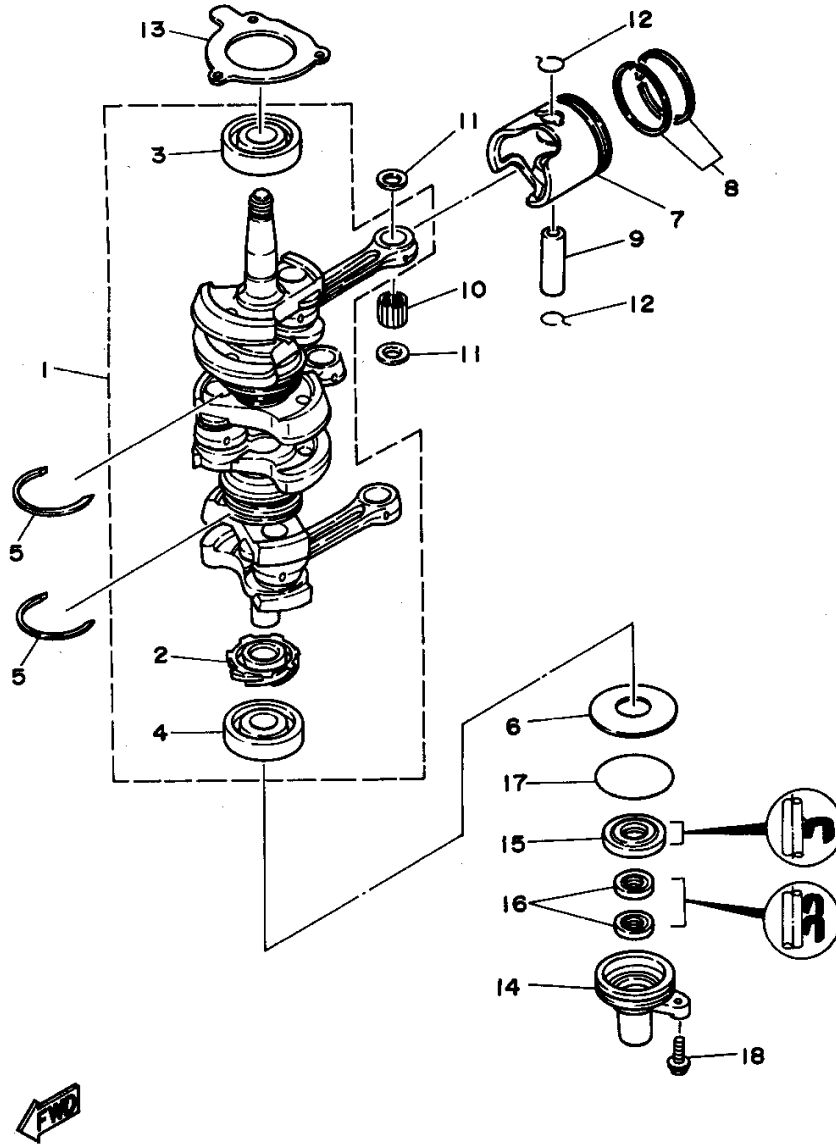
## Part Notes

40MLHS 1994 / CYLINDER CRANKCASE

PART NUMBER	NOTE TEXT
92990-06600-00 	OEM: This part number is among the Top 100 Most Popular Marine Maintenance Parts as of March 2014.
92990-06600-00 	OEM: This part number is among the Top 100 Most Popular Marine Maintenance Parts as of March 2014.

©2014 Yamaha Motor Corporation, U.S.A. All rights reserved.

40MLHS 1994 / CRANKSHAFT PISTON



©2014 Yamaha Motor Corporation, U.S.A. All rights reserved.


## Part List

40MLHS 1994 / CRANKSHAFT PISTON

REF - NO	PART NUMBER	PART NAME	QUANTITY	REMARKS
1	6H4-11400-14-00	CRANKSHAFT ASSY	1	
2	6H4-11536-00-00	.GEAR, DRIVE	1	
3	93306-305U8-00	.BEARING	1	
4	93306-305U8-00	.BEARING	1	
5	93440-62057-00	CIRCLIP, OUTER	2	
6	90201-50306-00	WASHER, PLATE	1	
7	6H4-11636-01-00	PISTON (0.50MM O/S)	3	
7	6H4-11631-01-95	PISTON (STD)	3	
8	6H4-11601-20-00	PISTON RING SET (0.50MM O/S)	3	
8	6H4-11601-00-00	PISTON RING SET (STD)	3	
9	648-11633-00-00	PIN, PISTON	3	
10	93602-20M02-00	PIN, DOWEL	93	
11	6H4-11641-00-00	WASHER, PISTON PIN	6	
12	6H4-11634-01-00	CLIP, PISTON PIN	6	
13	6H4-15369-A1-00	GASKET, OIL SEAL HOUSING	1	
14	6H4-15396-02-5B	HOUSING, OIL SEAL	1	
15	93102-25M28-00	OIL SEAL	1	
16	93101-16M36-00	OIL SEAL	2	
17	93210-57M09-00	.O-RING	1	
18	97595-06520-00	BOLT, WITH WASHER	1	

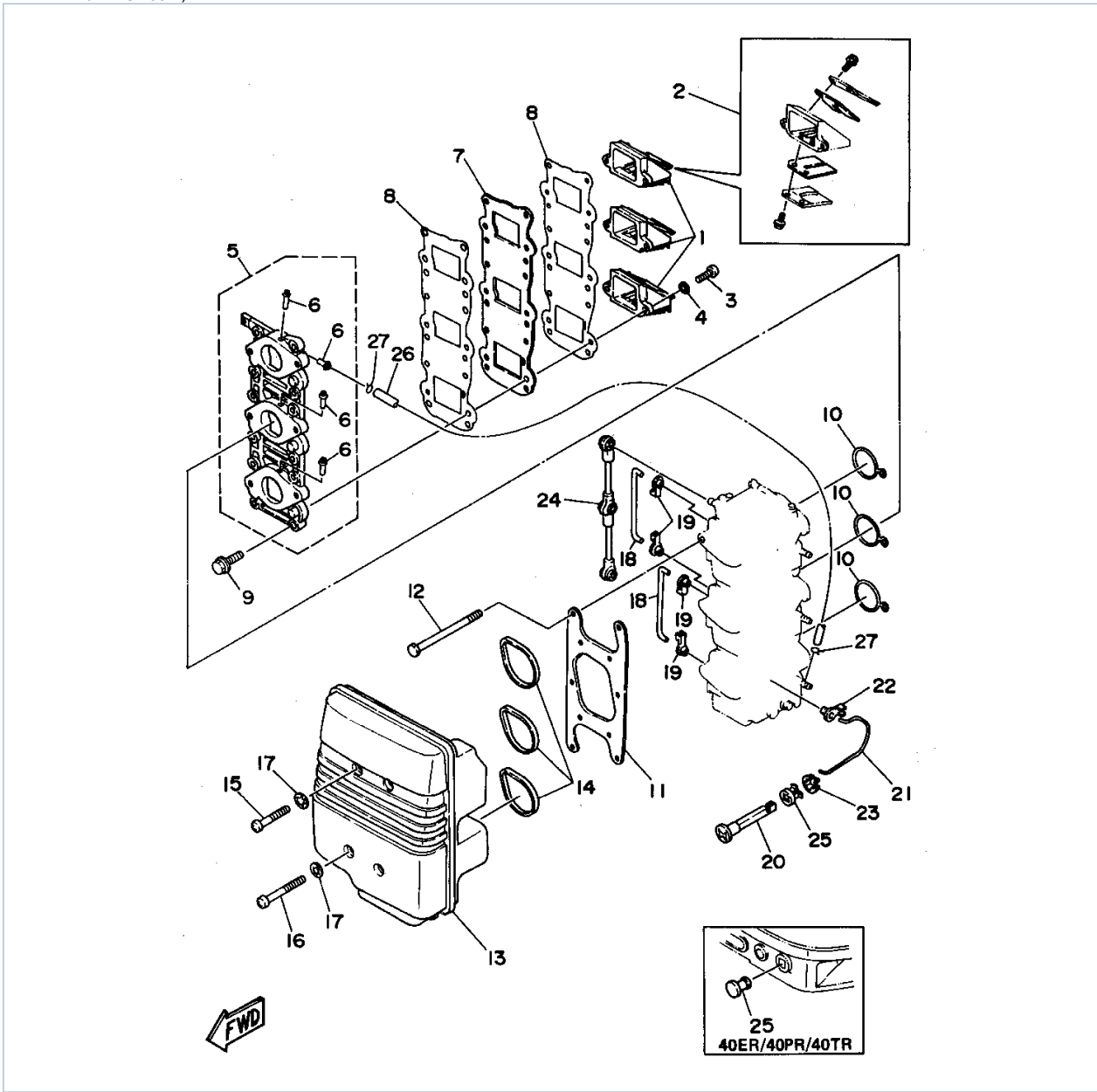
## Part Notes

40MLHS 1994 / CRANKSHAFT PISTON

PART NUMBER	NOTE TEXT
93602-20M02-00 	OEM: This part number is among the Top 100 Most Popular Marine Maintenance Parts as of March 2014.

©2014 Yamaha Motor Corporation, U.S.A. All rights reserved.

40MLHS 1994 / INTAKE



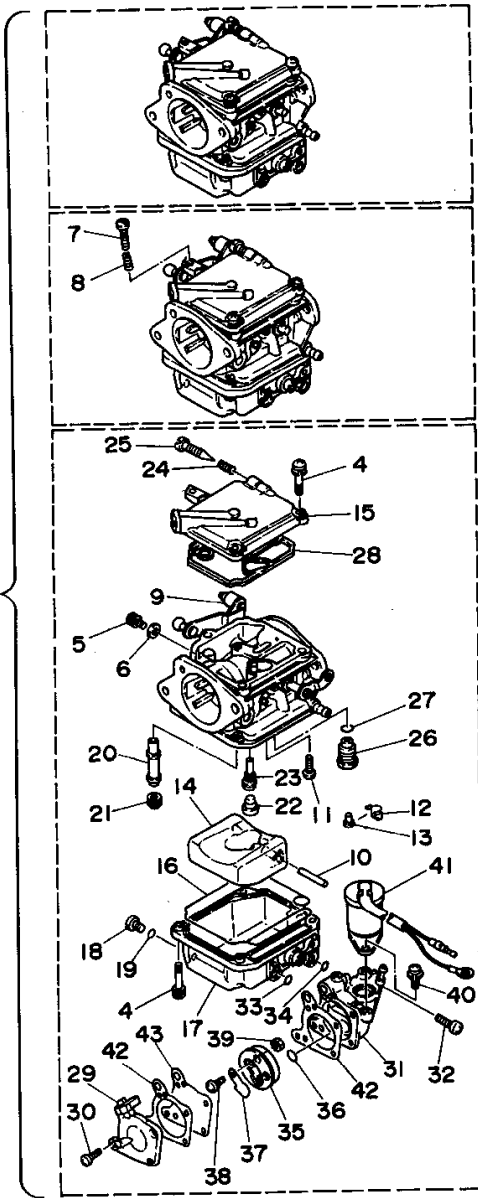
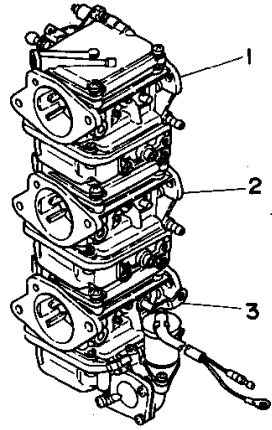
©2014 Yamaha Motor Corporation, U.S.A. All rights reserved.

## Part List

40MLHS 1994 / INTAKE

REF - NO	PART NUMBER	PART NAME	QUANTITY	REMARKS
1	6H5-13610-00-00	REED VALVE ASSY	3	
2	6H4-W0004-00-00	.REED SET	1	
3	98580-05016-00	SCREW, PAN HEAD	6	
4	92990-05600-00	WASHER, PLATE	6	
5	6H4-13641-12-94	MANIFOLD 1	1	UR 40ER/ 40PR/40TR
5	6H4-13641-30-94	MANIFOLD 1	1	UR 40MH
6	6H1-14485-00-00	.PIPE, JOINT	4	UR 40ER/ 40PR/40TR
6	6H1-14485-00-00	.PIPE, JOINT	3	UR 40MH
7	6H4-13624-01-94	PLATE, REED VALVE	1	
8	6H4-13621-A1-00	GASKET, VALVE SEAT	2	
9	97595-06520-00	BOLT, WITH WASHER	12	
10	6H4-14198-01-00	.GASKET	3	
11	6H4-14406-00-00	HINGE	1	
12	97395-06095-00	BOLT	6	
13	6H4-14431-01-00	SILENCER, INTAKE 1	1	
14	6H3-14457-01-00	SEAL	3	
15	97895-06040-00	SCREW, PAN HEAD	2	
16	97895-06055-00	SCREW, PAN HEAD	2	
17	90209-06M05-00	WASHER	4	
18	6H4-41257-00-00	ROD, CHOKE 2	2	40MH
19	661-41262-02-00	JOINT, CHOKE LEVER	4	40MH
20	6H4-41271-01-00	KNOB, CHOKE	1	40MH
21	6H4-41259-01-00	ROD, CHOKE 3	1	40MH
22	6J8-41262-00-00	JOINT, CHOKE LEVER	1	40MH
23	6J8-41274-00-00	GROMMET 2	1	40MH
24	6H4-41217-01-00	ROD, ACCEL. LEVER	1	
25	6G1-42748-00-00	GROMMET	1	UR 40ER/ 40PR/40TR
25	689-41273-00-00	GROMMET	1	UR 40MH
26	90445-07M24-00	HOSE (L240)	1	40ER/40PR/ 40TR
27	90467-06016-00	CLIP	2	40ER/40PR/ 40TR

40MLHS 1994 / CARBURETOR



©2014 Yamaha Motor Corporation, U.S.A. All rights reserved.

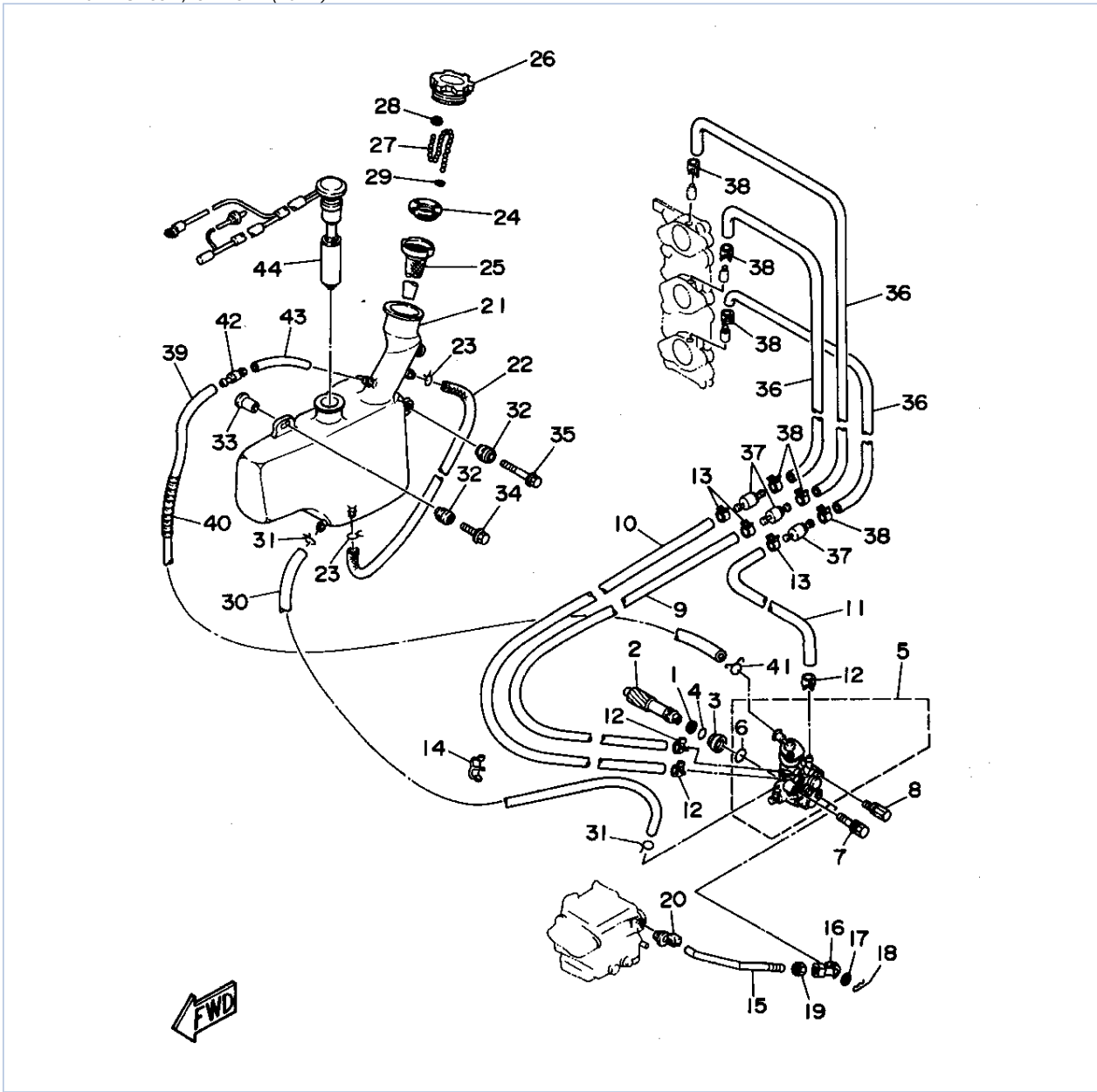
## Part List

40MLHS 1994 / CARBURETOR

REF - NO	PART NUMBER	PART NAME	QUANTITY	REMARKS
1	(6H4-14301-0B-00)	CARBURETOR ASSEMBLY 1	1	UR 40MH
1	6H4-14301-12-00	CARBURETOR ASSEMBLY 1	1	UR 40ER/ 40PR/40TR
2	6H4-14302-12-00	CARBURETOR ASSEMBLY 2	1	UR 40ER/ 40PR/40TR
2	(6H4-14302-0B-00)	CARBURETOR ASSEMBLY 2	1	UR 40MH
3	(6H4-14303-0B-00)	CARBURETOR (LOWER)	1	UR 40MH
3	6H4-14303-12-00	CARBURETOR ASSEMBLY 3	1	UR 40ER/ 40PR/40TR
4	97980-04114-00	.SCREW, WITH WASHER	21	
5	6K5-14592-00-00	.SCREW	3	
6	90201-05652-00	.WASHER, PLATE	3	
7	6H1-14523-00-00	.SCREW, STOP	1	
8	90501-10326-00	.SPRING, COMPRESSION	1	
9	6H2-14578-00-00	.COLLAR	1	
10	6H4-14548-00-00	.PIN, FLOAT ARM	3	
11	98580-04008-00	.SCREW, PAN HEAD	3	
12	663-14159-00-00	.CLIP	3	
13	676-14186-00-00	.PIN, FLOAT	3	
14	6H4-14985-01-00	.FLOAT	3	
15	6H4-14146-00-00	.PLATE	3	
16	6H4-14984-00-00	.GASKET, FLOAT CHAMBER	3	
17	6H4-14980-00-00	.BODY, FLOAT CHAMBER	3	UR 40MH
17	6H4-14980-10-00	.BODY, FLOAT CHAMBER	1	UR 40ER/ 40PR/40TR
17	6H4-14980-00-00	.BODY, FLOAT CHAMBER	1	
18	6H3-14992-00-00	.SCREW, DRAIN	3	
19	93210-04230-00	.O-RING	3	
20	6H4-14947-07-00	.JET, NEEDLE	3	
21	676-14943-32-00	.JET, MAIN (125) (CENTER)	1	UR 40ER/ 40PR/40TR
21	676-14943-31-00	.JET, MAIN (120) (CENTER)	2	UR 40ER/ 40PR/40TR
21	676-14943-30-00	.JET, MAIN (#115)	2	
21	676-14943-31-00	.JET, MAIN (120) (CENTER)	1	
22	676-14966-00-00	.CAP	3	
23	6H4-14948-11-00	.JET (#60)	3	
24	679-14555-00-00	.SPRING	3	
25	692-14923-00-00	.SCREW, PILOT	3	
26	6H4-14590-00-00	.NEEDLE VALVE ASSY	3	
27	93210-04228-00	.O-RING	3	
28	6H4-14147-00-00	.O-RING	3	
29	6H4-24452-01-00	.COVER	1	40ER/40PR/ 40TR
30	6H4-14567-00-00	.SCREW	4	40ER/40PR/ 40TR
31	6H4-24412-00-00	.BODY 1	1	40ER/40PR/ 40TR
32	6H4-14592-10-00	.SCREW	2	40ER/40PR/ 40TR
33	6H4-14561-00-00	.O-RING	1	40ER/40PR/ 40TR
34	6H4-14562-00-00	.O-RING	1	40ER/40PR/ 40TR
35	6H4-24413-00-00	.BODY 2	1	40ER/40PR/ 40TR
36	6H4-24486-00-00	.O-RING	1	40ER/40PR/ 40TR
37	6L5-24421-00-00	.VALVE, CHECK	2	40ER/40PR/ 40TR
38	98980-03006-00	.SCREW, BIND	2	40ER/40PR/ 40TR
39	95380-03600-00	.NUT	2	40ER/40PR/ 40TR
40	97980-05310-00	.SCREW, WITH WASHER	2	40ER/40PR/ 40TR
41	6H4-86120-00-00	.SOLENOID VALVE ASSEMBLY	1	40ER/40PR/ 40TR
42	6H5-24434-00-00	.GASKET, BODY	2	40ER/40PR/ 40TR
43	6H4-24411-00-00	.DIAPHRAGM	1	40ER/40PR/ 40TR



40MLHS 1994 / OIL PUMP (40MH)



©2014 Yamaha Motor Corporation, U.S.A. All rights reserved.


## Part List

40MLHS 1994 / OIL PUMP (40MH)

REF - NO	PART NUMBER	PART NAME	QUANTITY	REMARKS
1	90201-08M93-00	WASHER, PLATE	1	
2	6H4-11537-01-00	GEAR, DRIVEN	1	
3	6H1-13117-01-00	COLLAR, DISTANCE	1	
4	93210-13595-00	O-RING	1	
5	6H4-13200-04-00	OIL INJECTION PUMP ASSEMBLY	1	
6	93210-19MA7-00	.O-RING	1	
7	90109-06M39-00	BOLT	1	
8	90109-06M40-00	BOLT	1	
9	90445-07M44-00	HOSE (L250)	1	
10	90445-07M23-00	HOSE (L408)	1	
11	90445-07MA6-00	HOSE (L90)	1	
12	90468-07M02-00	CLIP	3	
13	90468-07M02-00	CLIP	3	
14	90464-07M20-00	CLAMP	1	
15	6H4-41241-01-00	ROD, LINK	1	
16	6H1-41237-00-00	JOINT, LINK	1	
17	90202-05088-00	WASHER, PLATE	1	
18	90468-05M03-00	CLIP	1	
19	95380-05600-00	NUT	1	
20	6R5-41237-00-00	JOINT, LINK	1	
21	6H4-21707-12-00	OIL TANK COMP.	1	
22	90446-09M08-00	HOSE	1	
23	90467-08004-00	CLIP	2	
24	6H4-21773-00-00	GROMMET	1	
25	6H1-21756-00-00	NET, FILTER	1	
26	6H4-21770-00-00	OIL TANK CAP ASSY	1	
27	6H4-24633-00-00	CHAIN, BALL	1	
28	6H4-24634-00-00	HOOK, CHAIN BALL	1	
29	6H4-21757-00-00	WASHER, SPECIAL 1	1	
30	90445-09M37-00	HOSE (L240)	1	
31	90467-08004-00	CLIP	2	
32	6A0-82317-00-00	DAMPER, IGNITION COIL	3	
33	624-42542-00-00	PIPE	3	
34	90119-06M65-00	BOLT, WITH WASHER	2	
35	90119-06M67-00	BOLT, WITH WASHER	1	
36	90445-07M87-00	HOSE (L110)	3	
37	6E9-13183-70-00	VALVE, CHECK	3	
38	90468-07M02-00	CLIP	6	
39	90445-11M17-00	HOSE (L300)	1	
40	90446-10M01-00	HOSE (L60)	2	
41	90467-10M04-00	CLIP	1	
42	6J8-21744-00-00	BREATHER	1	
43	90445-11M23-00	HOSE (L85)	1	
44	6H4-85720-21-00	OIL LEVEL GAUGE ASSEMBLY	1	

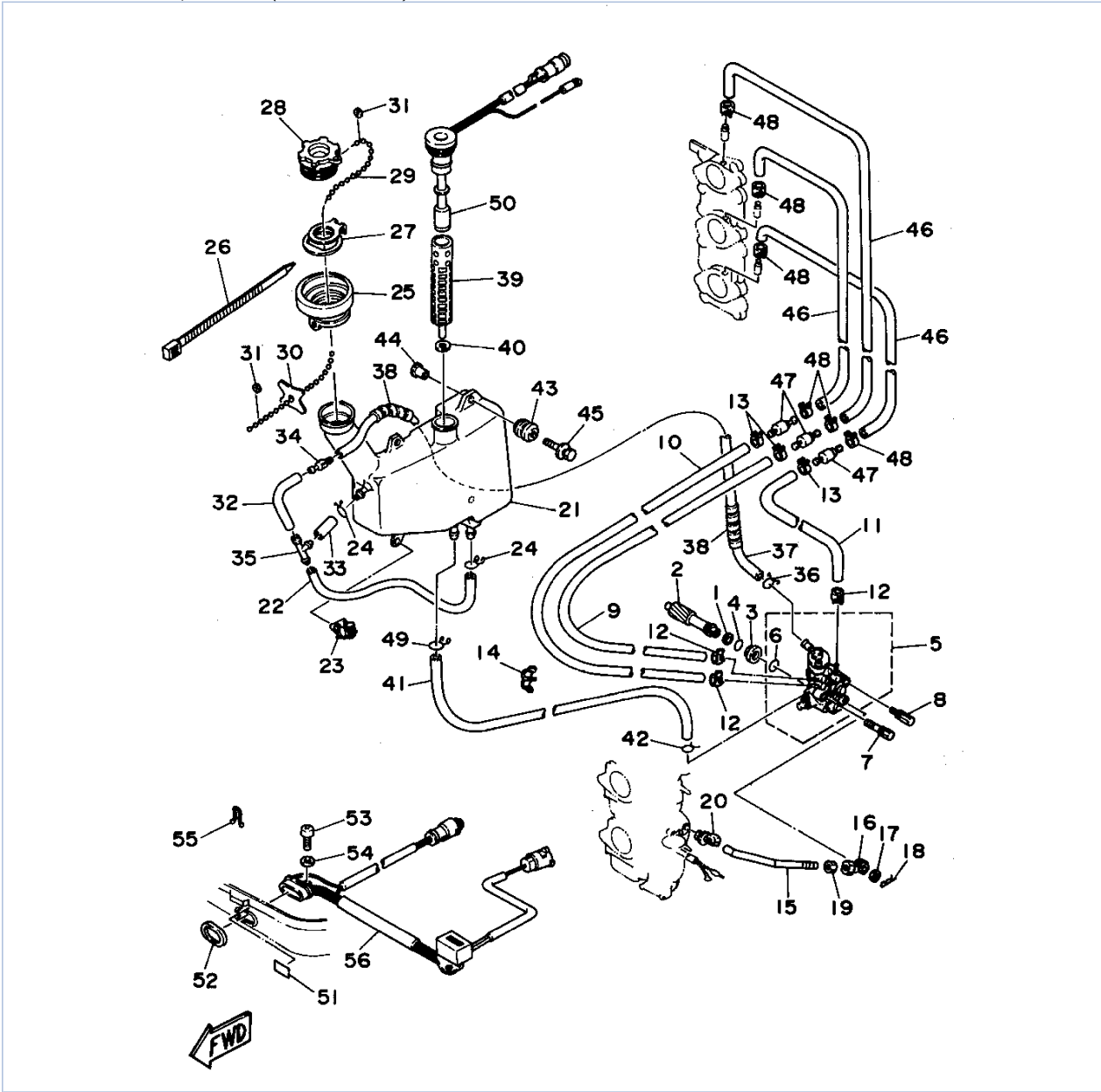
## Part Notes

40MLHS 1994 / OIL PUMP (40MH)

PART NUMBER	NOTE TEXT
6H1-41237-00-00 	OEM: This part number is among the Top 100 Most Popular Marine Maintenance Parts as of March 2014.

©2014 Yamaha Motor Corporation, U.S.A. All rights reserved.

40MLHS 1994 / OIL PUMP (40ER 40PR 40TR)



©2014 Yamaha Motor Corporation, U.S.A. All rights reserved.

## Part List



40MLHS 1994 / OIL PUMP (40ER 40PR 40TR)

REF - NO	PART NUMBER	PART NAME	QUANTITY	REMARKS
1	90201-08M93-00	WASHER, PLATE	1	
2	6H4-11537-01-00	GEAR, DRIVEN	1	
3	6H1-13117-01-00	COLLAR, DISTANCE	1	
4	93210-13595-00	O-RING	1	
5	6H4-13200-04-00	OIL INJECTION PUMP ASSEMBLY	1	
6	93210-19MA7-00	.O-RING	1	
7	90109-06M39-00	BOLT	1	
8	90109-06M40-00	BOLT	1	
9	90445-07M44-00	HOSE (L250)	1	
10	90445-07M23-00	HOSE (L408)	1	
11	90445-07MA6-00	HOSE (L90)	1	
12	90468-07M02-00	CLIP	3	
13	90468-07M02-00	CLIP	3	
14	90464-07M20-00	CLAMP	1	
15	6H4-41241-01-00	ROD, LINK	1	
16	6H1-41237-00-00	JOINT, LINK	1	
17	90202-05088-00	WASHER, PLATE	1	
18	90468-05M03-00	CLIP	1	
19	95380-05600-00	NUT	1	
20	6R5-41237-00-00	JOINT, LINK	1	
21	6H4-21707-04-00	OIL TANK COMP.	1	
22	90445-11M17-00	HOSE (L300)	1	
23	90464-11M23-00	CLAMP	1	
24	90467-11M08-00	CLIP	2	
25	6H4-21752-00-00	TUBE, FILLER 1	1	
26	90465-13M36-00	CLAMP	1	
27	6H1-2176M-01-00	HOOK	1	
28	6H4-21770-00-00	OIL TANK CAP ASSY	1	
29	6H5-24633-00-00	CHAIN, BALL	1	
30	6J8-21758-00-00	WASHER, SPECIAL 2	1	
31	6H1-21757-00-00	WASHER, SPECIAL 1	2	
32	90445-11M23-00	HOSE (L85)	1	
33	90445-11M07-00	HOSE (L30)	1	
34	6J8-21744-00-00	BREATHER	1	
35	6E5-24378-00-00	PIPE, JOINT 3	1	
36	90467-10M04-00	CLIP	1	
37	90445-11M17-00	HOSE (L300)	1	
38	90446-10M01-00	HOSE (L60)	2	
39	6J8-13411-00-00	STRAINER, OIL	1	
40	6J8-13414-00-00	GASKET, STRAINER COVER	1	
41	6L2-13416-00-00	PIPE, OIL 1	1	
42	90467-08004-00	CLIP	1	
43	6A0-82317-00-00	DAMPER, IGNITION COIL	3	
44	624-42542-00-00	PIPE	3	
45	90119-06M65-00	BOLT, WITH WASHER	3	
46	90445-07M87-00	HOSE (L110)	3	
47	6E9-13183-70-00	VALVE, CHECK	3	
48	90468-07M02-00	CLIP	6	
49	90467-11M08-00	CLIP	1	
50	6H5-85720-12-00	OIL LEVEL GAUGE ASSEMBLY	1	
51	6H4-84342-00-00	SEAT, EMBLEM	1	
52	6H4-83589-00-00	GASKET	1	
53	98503-06014-00	SCREW, PAN HEAD	1	

54	92990-06600-00	WASHER, PLATE	1	
55	90465-18147-00	CLAMP	1	
56	6H4-84301-01-00	PILOT LIGHT ASSEMBLY 1	1	

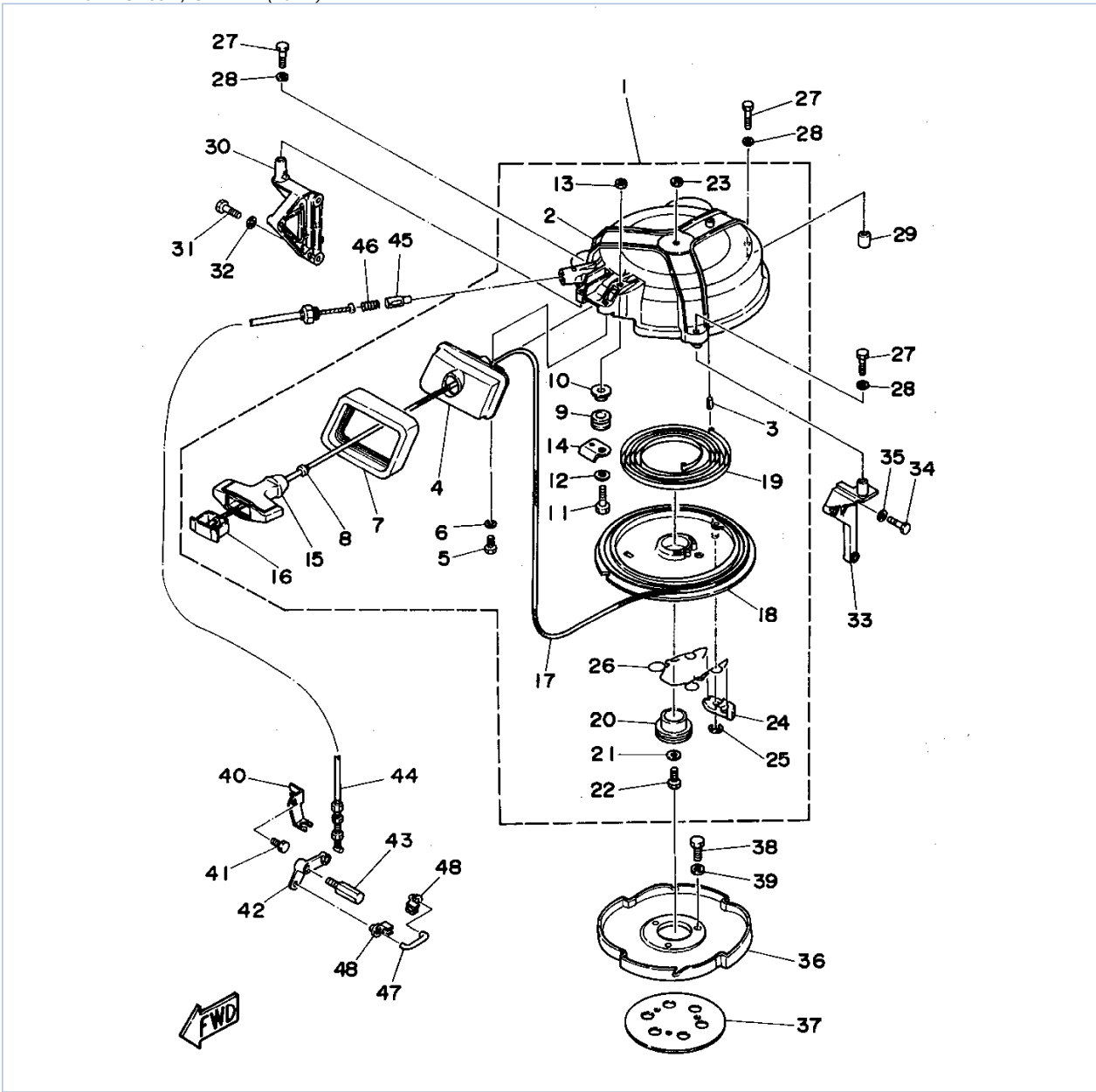
## Part Notes

40MLHS 1994 / OIL PUMP (40ER 40PR 40TR)

PART NUMBER		NOTE TEXT
6H1-41237-00-00		OEM: This part number is among the Top 100 Most Popular Marine Maintenance Parts as of March 2014.
92990-06600-00		OEM: This part number is among the Top 100 Most Popular Marine Maintenance Parts as of March 2014.

©2014 Yamaha Motor Corporation, U.S.A. All rights reserved.

40MLHS 1994 / STARTER (40MH)



©2014 Yamaha Motor Corporation, U.S.A. All rights reserved.

## Part List





40MLHS 1994 / STARTER (40MH)

REF - NO	PART NUMBER	PART NAME	QUANTITY	REMARKS
1	6H4-15710-03-4D	STARTER ASSEMBLY	1	
2	6H4-15711-02-94	.CASE, STARTER	1	
3	91690-40018-00	.PIN, SPRING	1	
4	6H4-15758-00-4D	.GUIDE, ROPE	1	
5	97395-06016-00	.BOLT, HEX	2	
6	92990-06600-00	.WASHER, PLATE	2	
7	6H4-15762-00-00	.SEAL, RUBBER 2	1	
8	6A0-15789-00-00	.DAMPER	1	
9	6F5-15752-00-00	.ROLLER, WIRE	1	
10	90387-06M69-00	.COLLAR	1	
11	97095-06030-00	.BOLT	1	
12	92990-06600-00	.WASHER, PLATE	1	
13	95601-06200-00	.NUT, U-FLANGE	1	
14	6H4-15787-01-00	.STAY	1	
15	689-15755-01-00	.HANDLE, STARTER	1	
16	6F5-15779-02-00	.COVER	1	
17	90580-50M01-00	.ROPE, STARTER	1	
18	6H4-15714-00-00	.DRUM, SHEAVE	1	
19	90510-08002-00	.SPRING, SPIRAL	1	
20	6H4-15717-01-00	.SHAFT, STARTER	1	
21	90201-065F3-00	.WASHER, PLATE	1	
22	97095-06020-00	.BOLT	1	
23	95601-06200-00	.NUT, U-FLANGE	1	
24	676-15741-03-00	.PAWL, DRIVE	1	
25	93430-06M02-00	.CIRCLIP	1	
26	6H4-15705-00-00	.SPRING, DRIVE PAWL	1	
27	97095-06035-00	BOLT	3	
28	92990-06600-00	WASHER, PLATE	3	
29	99530-10014-00	PIN, DOWEL	1	
30	6H4-15771-01-94	STAY 1	1	
31	97313-08030-00	BOLT	2	
32	92990-08600-00	..WASHER, PLATE	2	
33	6H4-15772-02-94	STAY 2	1	
34	97395-06025-00	BOLT	3	
35	92990-06600-00	WASHER, PLATE	3	
36	6H4-15723-01-94	PULLEY, STARTER	1	
37	6J8-81365-A0-00	GASKET, HOLE COVER	1	
38	97313-08020-00	BOLT, HEXAGON	3	
39	92990-08600-00	..WASHER, PLATE	3	
40	6H4-15774-10-00	STAY 4	1	
41	97095-06012-00	BOLT	1	
42	6H4-15746-00-00	ARM	1	
43	90109-06M04-00	BOLT	1	
44	6H4-15770-10-00	CABLE COMP., STARTER STOP	1	
45	656-15748-00-00	PLUNGER, STARTER STOP	1	
46	90501-10227-00	SPRING, COMPRESSION	1	
47	6H4-15747-10-00	LINK	1	
48	661-41262-02-00	JOINT, CHOKE LEVER	2	

## Part Notes

40MLHS 1994 / STARTER (40MH)

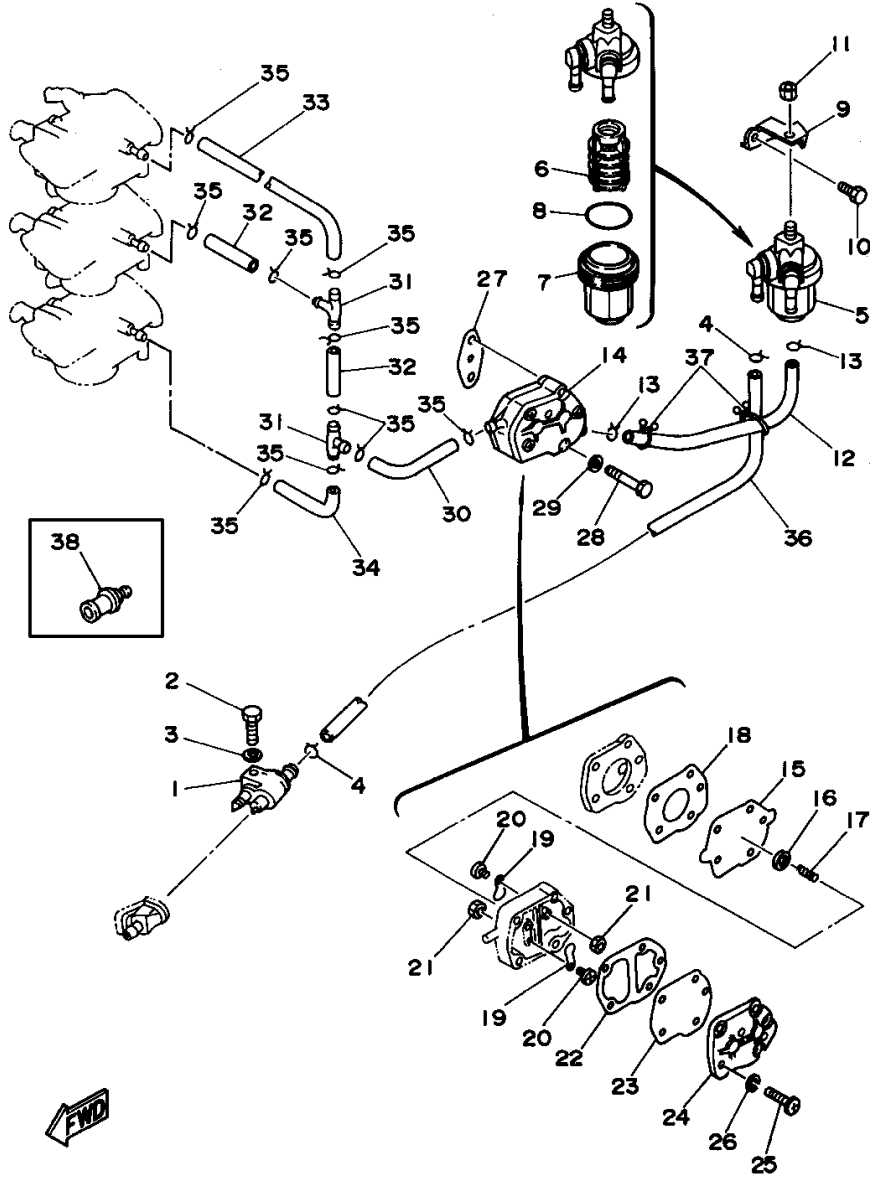
PART NUMBER	NOTE TEXT

92990-06600-00		OEM: This part number is among the Top 100 Most Popular Marine Maintenance Parts as of March 2014.
92990-06600-00		OEM: This part number is among the Top 100 Most Popular Marine Maintenance Parts as of March 2014.
92990-06600-00		OEM: This part number is among the Top 100 Most Popular Marine Maintenance Parts as of March 2014.
92990-06600-00		OEM: This part number is among the Top 100 Most Popular Marine Maintenance Parts as of March 2014.

©2014 Yamaha Motor Corporation, U.S.A. All rights reserved.



40MLHS 1994 / FUEL



©2014 Yamaha Motor Corporation, U.S.A. All rights reserved.



## Part List

40MLHS 1994 / FUEL

REF - NO	PART NUMBER	PART NAME	QUANTITY	REMARKS
1	6G1-24304-02-00	FUEL PIPE JOINT COMP. 1	1	
2	97395-06025-00	BOLT	1	
3	92990-06600-00	WASHER, PLATE	1	
4	90467-08004-00	CLIP	2	
5	61N-24560-00-00	FILTER ASSY	1	
6	61N-24563-00-00	.ELEMENT, FILTER	1	
7	61N-24521-00-00	.CUP, FILTER	1	
8	93210-32738-00	.O-RING	1	
9	6H4-24566-01-00	BRACKET, FILTER	1	
10	97013-06012-00	BOLT	1	
11	95380-08600-00	NUT	1	
12	6H4-24314-00-00	PIPE 4	1	
13	90467-08004-00	CLIP	2	
14	6A0-24410-05-00	FUEL PUMP ASSEMBLY	1	
15	648-24411-00-00	.DIAPHRAGM	1	
16	648-24424-00-00	.SEAT, SPRING	1	
17	648-24423-00-00	.SPRING, DIAPHRAGM	1	
18	648-24434-01-00	.GASKET, BODY	1	
19	6A0-24421-01-00	.VALVE, CHECK	2	
20	6A0-14325-00-00	.SCREW, PAN HEAD	2	
21	95380-03600-00	.NUT	2	
22	648-24435-02-00	.GASKET, BODY 2	1	
23	663-24411-00-00	.DIAPHRAGM	1	
24	648-24413-01-00	.BODY 2	1	
25	98580-05530-00	.SCREW, PAN HEAD	3	
26	92990-05100-00	.WASHER, SPRING	3	
27	650-24431-A0-00	GASKET, FUEL PUMP 1	1	
28	97095-06040-00	.BOLT	2	
29	92990-06600-00	WASHER, PLATE	2	
30	90445-09063-00	HOSE (L80)	1	
31	688-24378-00-00	PIPE, JOINT 3	2	
32	90445-09057-00	HOSE (L43)	2	
33	6H4-24313-00-00	PIPE 3	1	
34	6H4-24312-00-00	PIPE 2	1	
35	90467-08004-00	CLIP	10	
36	6H4-24311-00-00	PIPE, FUEL 1	1	
37	90464-16039-00	CLAMP	3	
38	ABB-FLUSH-JD-00	JET DRIVE FLUSH	1	

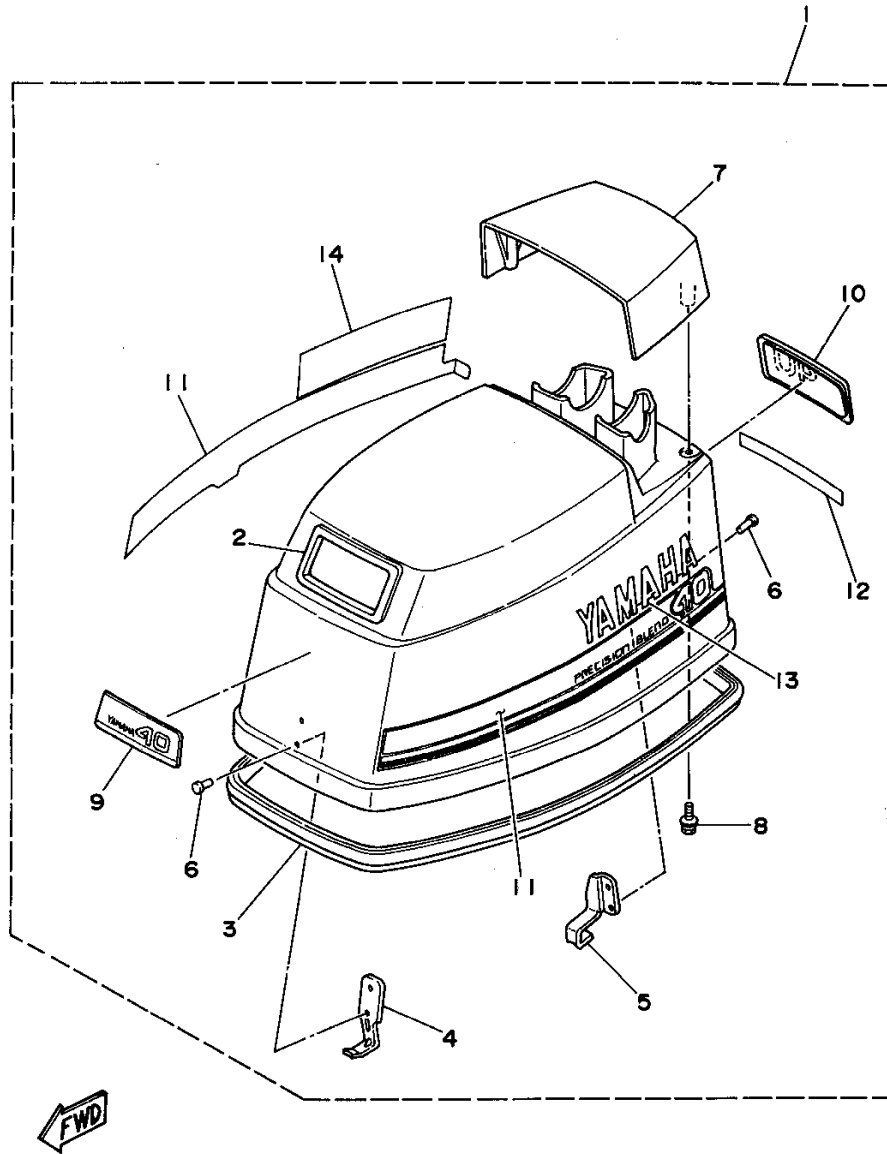
## Part Notes

40MLHS 1994 / FUEL

PART NUMBER		NOTE TEXT
92990-06600-00		OEM: This part number is among the Top 100 Most Popular Marine Maintenance Parts as of March 2014.
650-24431-A0-00		OEM: This part number is among the Top 100 Most Popular Marine Maintenance Parts as of March 2014.
92990-06600-00		OEM: This part number is among the Top 100 Most Popular Marine Maintenance Parts as of March 2014.

©2014 Yamaha Motor Corporation, U.S.A. All rights reserved.

40MLHS 1994 / TOP COWLING (40MH)



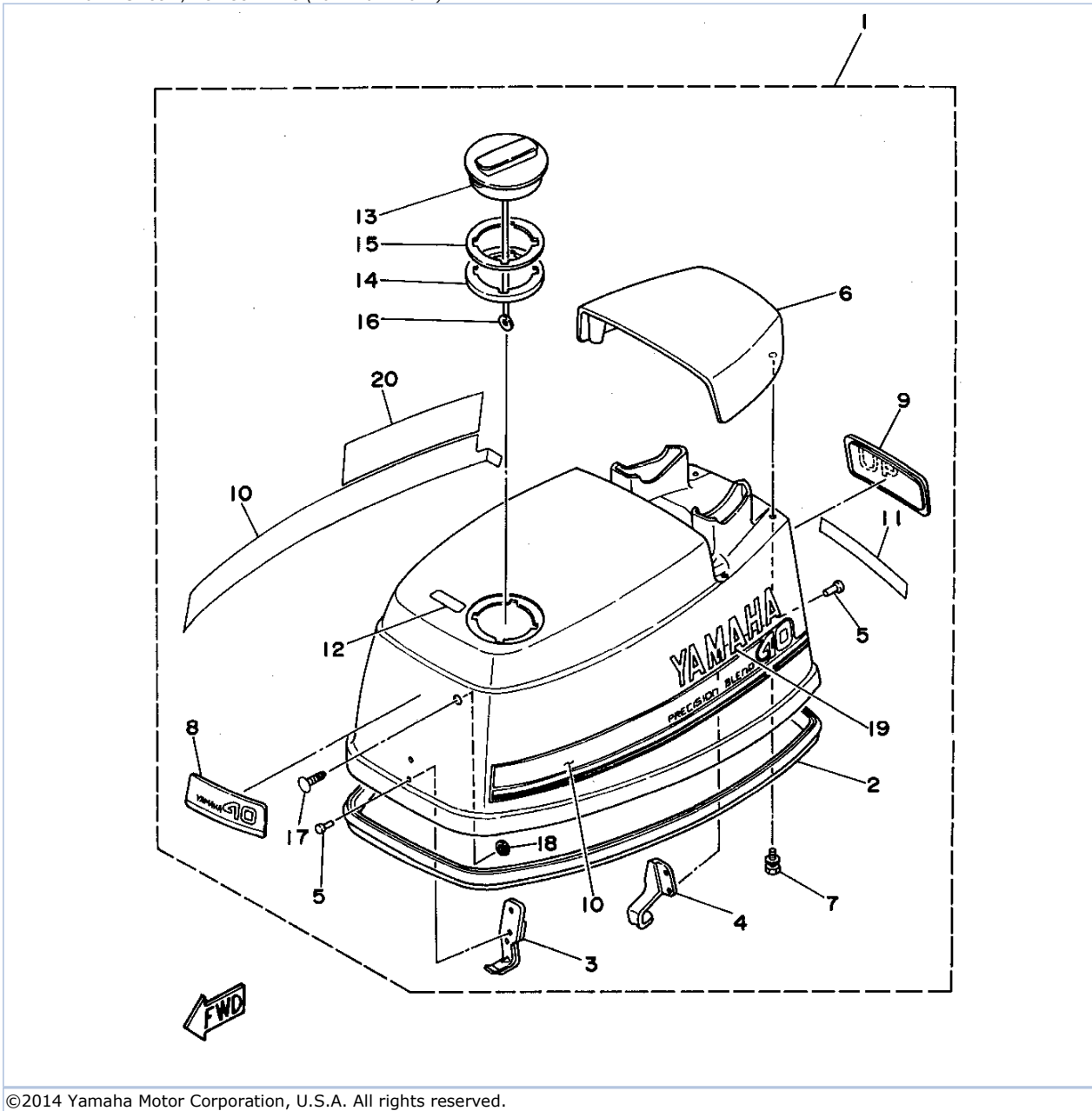
©2014 Yamaha Motor Corporation, U.S.A. All rights reserved.

## Part List

40MLHS 1994 / TOP COWLING (40MH)

REF - NO	PART NUMBER	PART NAME	QUANTITY	REMARKS
1	6H4-42610-23-4D	TOP COWLING ASSEMBLY	1	
2	6H4-15761-00-00	.SEAL, RUBBER 1	1	
3	6H4-42615-00-00	.SEAL	1	
4	6H4-42651-00-00	.HOOK	1	
5	6H4-42652-00-00	.HOOK	1	
6	90266-04M01-00	.RIVET	4	
7	6H4-42613-00-4D	.MOLDING, AIR DUCT	1	
8	90119-06M99-00	.BOLT, WITH WASHER	4	
9	6H4-42686-02-00	.EMBLEM, FRONT	1	
10	6H4-42687-01-00	.EMBLEM, REAR	1	
11	6H4-W0070-23-00	.GRAPHIC SET	1	
12	6H4-4267A-10-00	.GRAPHIC, REAR 2	1	
13	6H5-42681-10-00	.MARK, COWLING (YAMAHA)	1	YAMAHA
14	6H5-42682-10-00	.MARK, COWLING (YAMAHA)	1	YAMAHA

40MLHS 1994 / TOP COWLING (40ER 40PR 40TR)



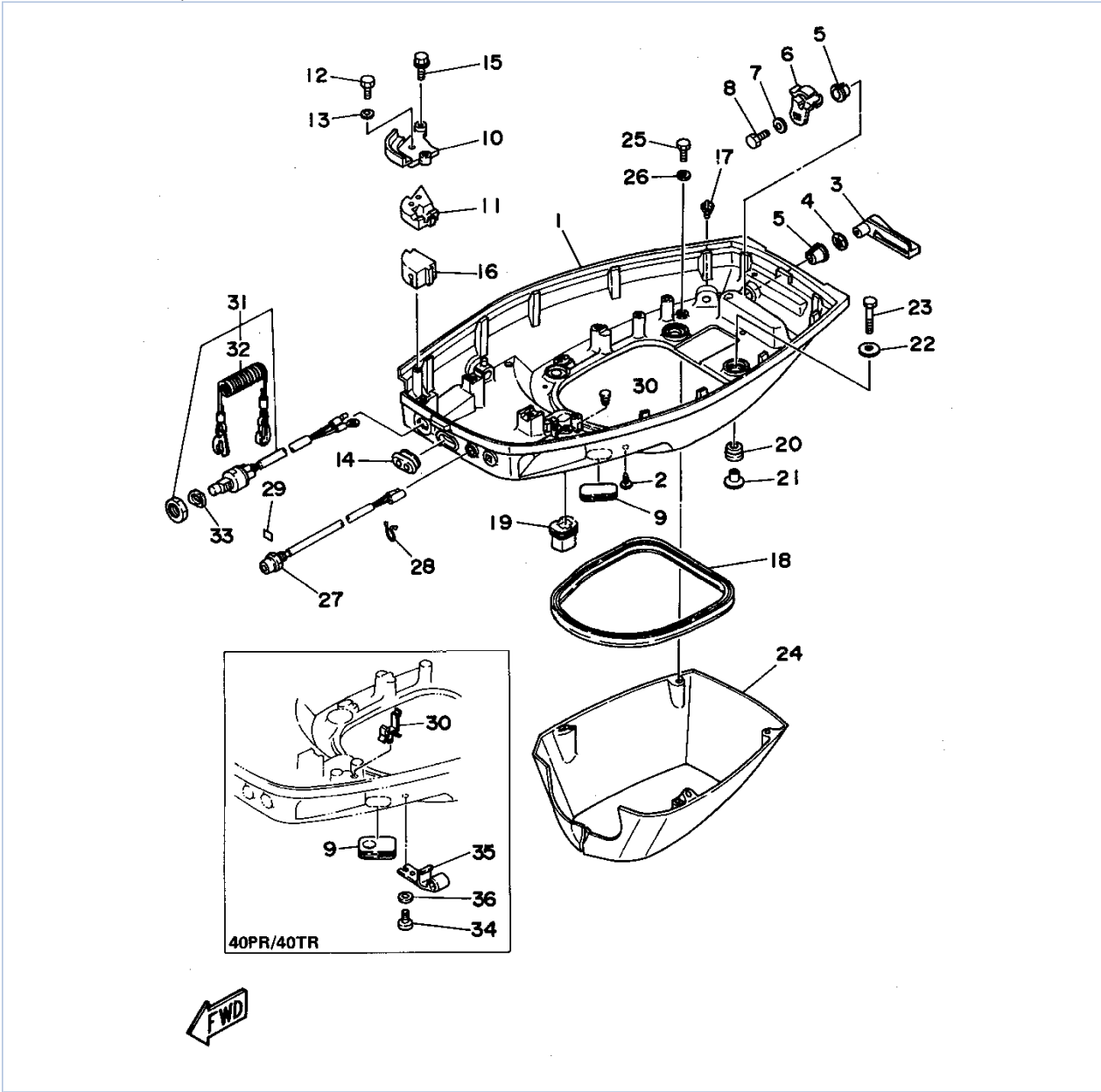
©2014 Yamaha Motor Corporation, U.S.A. All rights reserved.

## Part List

40MLHS 1994 / TOP COWLING (40ER 40PR 40TR)

REF - NO	PART NUMBER	PART NAME	QUANTITY	REMARKS
1	6H4-42610-45-4D	TOP COWLING ASSEMBLY	1	
2	6H4-42615-00-00	.SEAL	1	
3	6H4-42651-00-00	.HOOK	1	
4	6H4-42652-00-00	.HOOK	1	
5	90266-04M01-00	.RIVET	4	
6	6H4-42613-10-4D	.MOLDING, AIR DUCT	1	
7	90119-06M99-00	.BOLT, WITH WASHER	4	
8	6H4-42686-11-00	.EMBLEM, FRONT	1	
9	6H4-42687-10-00	.EMBLEM, REAR	1	
10	6H4-W0070-43-00	.GRAPHIC SET	1	
11	6H4-4267A-10-00	.GRAPHIC, REAR 2	1	
12	6H4-13436-40-00	.MARK	1	
13	6H1-2177H-01-00	.DISK CAP 2	1	
14	6H3-21732-00-00	.SEAL 1	1	
15	6H3-21735-00-00	.SEAL 2	1	
16	6H1-42694-00-00	.BAND	1	
17	90338-05M12-00	.PLUG	1	
18	90183-05M06-00	.NUT, SPRING	1	
19	6H5-42681-10-00	.MARK, COWLING (YAMAHA)	1	YAMAHA
20	6H5-42682-10-00	.MARK, COWLING (YAMAHA)	1	YAMAHA

40MLHS 1994 / BOTTOM COWLING



©2014 Yamaha Motor Corporation, U.S.A. All rights reserved.


## Part List

40MLHS 1994 / BOTTOM COWLING



REF - NO	PART NUMBER	PART NAME	QUANTITY	REMARKS
1	6H4-42711-05-4D	COWLING, BOTTOM	1	UR 40MH/ 40ER/40PR
1	6H4-42711-23-4D	COWLING, BOTTOM	1	UR 40TR
2	90338-05M03-00	PLUG	1	40MH/40ER
3	6H4-42815-00-00	LEVER, CLAMP	1	
4	90206-12052-00	WASHER, WAVE	1	
5	90386-12069-00	BUSH	2	
6	6H4-42816-00-00	LEVER, CLAMP	1	
7	90201-06M02-00	WASHER, PLATE	1	
8	97313-06010-00	BOLT, HEXAGON	1	
9	688-42726-10-00	GROMMET	1	UR 40TR
9	6H5-42726-00-00	GROMMET	1	UR 40PR
9	6H4-42726-00-00	GROMMET	1	UR 40MH/ 40ER
10	6H4-48531-10-94	BRACKET, REMOTE CONTROL 1	1	UR 40ER/ 40PR/40TR
10	6H4-48531-00-94	BRACKET, REMOTE CONTROL 1	1	
11	6H4-48532-00-94	BRACKET, REMOTE CONTROL 2	1	
11	6H4-48532-10-94	BRACKET, REMOTE CONTROL 2	1	UR 40ER/ 40PR/40TR
12	97395-05016-00	BOLT	1	
13	92990-05600-00	WASHER, PLATE	1	
14	6H3-42727-00-00	GROMMET	1	40MH
15	97595-06520-00	BOLT, WITH WASHER	2	
16	6H4-42724-20-00	GROMMET	1	UR 40ER/ 40PR/40TR
16	6H4-42724-00-00	GROMMET	1	UR 40MH
17	6E5-44391-00-00	NIPPLE, HOSE	1	
18	6H4-42716-00-00	RUBBER, SEAL 1	1	
19	682-42727-00-00	GROMMET	1	
20	90480-09M21-00	GROMMET	4	
21	90387-06M41-00	COLLAR	4	
22	90201-06416-00	WASHER, PLATE	4	
23	97095-06030-00	BOLT	4	
24	6H4-42741-01-00	APRON	1	
25	97395-06016-00	BOLT, HEX	4	
26	92990-06600-00	WASHER, PLATE	4	
27	6J8-85410-00-00	EMERGENCY SIGNAL LIGHT ASSY	1	40MH
28	90465-18147-00	CLAMP	1	40MH
29	6H4-85415-10-00	MARK, SIGNAL LAMP	1	40MH
30	703-82119-00-00	COVER, LEAD WIRE	1	UR 40MH/ 40ER
30	90464-15M08-00	CLAMP	1	UR 40PR/40TR
31	6H4-82575-02-00	ENGINE STOP SWITCH ASSEMBLY	1	40MH
32	682-82556-00-00	.LANYARD, STOP SWITCH	1	40MH
33	6H4-82537-00-00	ATTACHMENT, STOP SWITCH	1	40MH
34	90157-06M01-00	SCREW, PAN HEAD	1	40TR
35	6E5-24367-01-00	CLAMP, FUEL PIPE 2	1	40TR
36	92990-06600-00	WASHER, PLATE	1	40TR

## Part Notes

40MLHS 1994 / BOTTOM COWLING

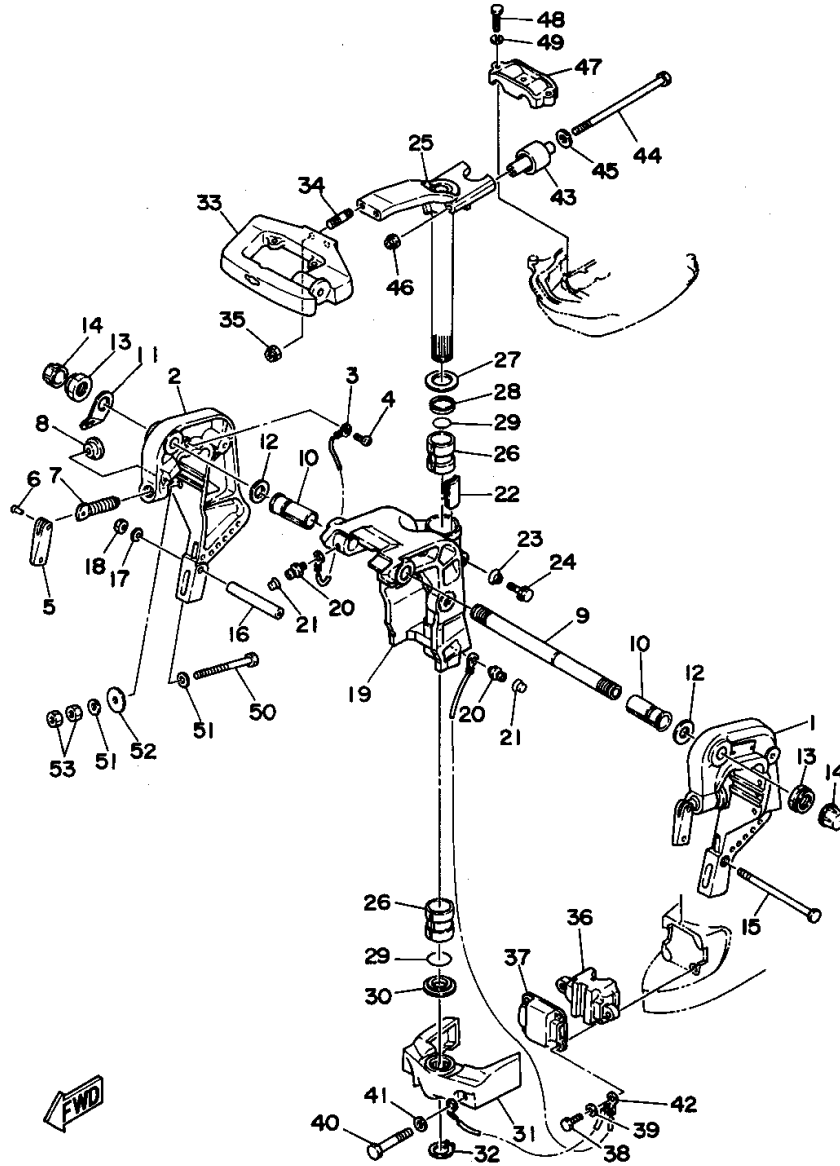
PART NUMBER	NOTE TEXT
92990-06600-00 	OEM: This part number is among the Top 100 Most Popular Marine Maintenance Parts as of March 2014.



682-82556-00-00		OEM: This part number is among the Top 100 Most Popular Marine Maintenance Parts as of March 2014.
92990-06600-00		OEM: This part number is among the Top 100 Most Popular Marine Maintenance Parts as of March 2014.

©2014 Yamaha Motor Corporation, U.S.A. All rights reserved.

40MLHS 1994 / BRACKET 1 (40MH 40ER)



©2014 Yamaha Motor Corporation, U.S.A. All rights reserved.

## Part List


40MLHS 1994 / BRACKET 1 (40MH 40ER)

REF - NO	PART NUMBER	PART NAME	QUANTITY	REMARKS
1	6H4-43111-04-4D	BRACKET, CLAMP	1	
2	6H4-43112-04-4D	BRACKET, CLAMP	1	
3	6E5-82148-00-00	WIRE, LEAD 4	1	
4	98580-06008-00	SCREW, PAN HEAD	1	
5	616-43118-00-4D	HANDLE, TRANSOM CLAMP	2	
6	90243-04M00-00	PIN	2	
7	90149-14M12-00	SCREW	2	
8	648-43114-01-00	PAD, TRANSOM CLAMP	2	
9	6J8-43131-01-00	BOLT, CLAMP BRACKET	1	
10	90386-22M69-00	BUSH	2	
11	6J8-43113-01-00	PLATE, CLAMP BRACKET	1	
12	90201-22428-00	WASHER, PLATE	2	
13	90185-22043-00	NUT, SELF-LOCKING	2	
14	6G5-43145-00-00	CAP, CLAMP BRACKET	2	
15	90101-08339-00	BOLT	1	
16	90387-08M03-00	COLLAR	1	
17	92990-08600-00	..WASHER, PLATE	1	
18	95380-08600-00	NUT	1	
19	6J8-43311-04-4D	BRACKET, SWIVEL 1	1	
20	93700-06M03-00	NIPPLE, GREASE	3	
21	663-45119-00-00	CAP, GREASE NIPPLE	3	
22	6J8-42528-00-00	PLATE, FRICTION	1	
23	689-43373-01-00	SEAL, DAMPER	1	
24	90105-06M18-00	BOLT, FLANGE	1	
25	6H4-42510-12-4D	STEERING BRACKET ASSEMBLY	1	
26	90386-30M77-00	BUSH	2	
27	90201-30M00-00	WASHER, PLATE	1	
28	90386-30M78-00	BUSH	1	
29	93210-29M94-00	O-RING	2	
30	90386-30M60-00	BUSH	1	
31	6H4-44551-01-4D	HOUSING, LOWER MOUNT RUBBER	1	
32	93410-28M06-00	CIRCLIP	1	
33	6H4-42121-02-5B	BRACKET	1	
34	90116-10175-00	BOLT, STUD	2	
35	90185-10051-00	NUT, SELF-LOCKING	2	
36	6H4-44557-00-00	MOUNT DAMPER, LOWER FRONT	1	
36	6H4-44557-10-00	MOUNT DAMPER, LOWER FRONT	1	
37	6H4-44553-01-00	COVER, LOWER MOUNT	1	
38	97395-08025-00	BOLT	4	
39	92990-08600-00	..WASHER, PLATE	4	
40	97395-10060-00	BOLT	2	
41	92990-10600-00	WASHER, PLATE	2	
42	6H4-82127-00-00	WIRE, LEAD 2	1	
43	6H4-44514-00-00	MOUNT DAMPER, UPPER SIDE	2	
44	90101-08M86-00	BOLT	2	
45	90201-09425-00	WASHER, PLATE	2	
46	90185-08045-00	NUT, SELF-LOCKING	2	
47	6H4-44511-00-94	COVER, UPPER MOUNT	1	
48	97090-08035-00	BOLT	3	
49	92990-08100-00	WASHER, SPRING	3	

50	90101-10M58-00	BOLT	4	
51	92995-10600-00	WASHER	8	
52	90201-12426-00	WASHER, PLATE	4	
53	95380-10600-00	NUT	8	

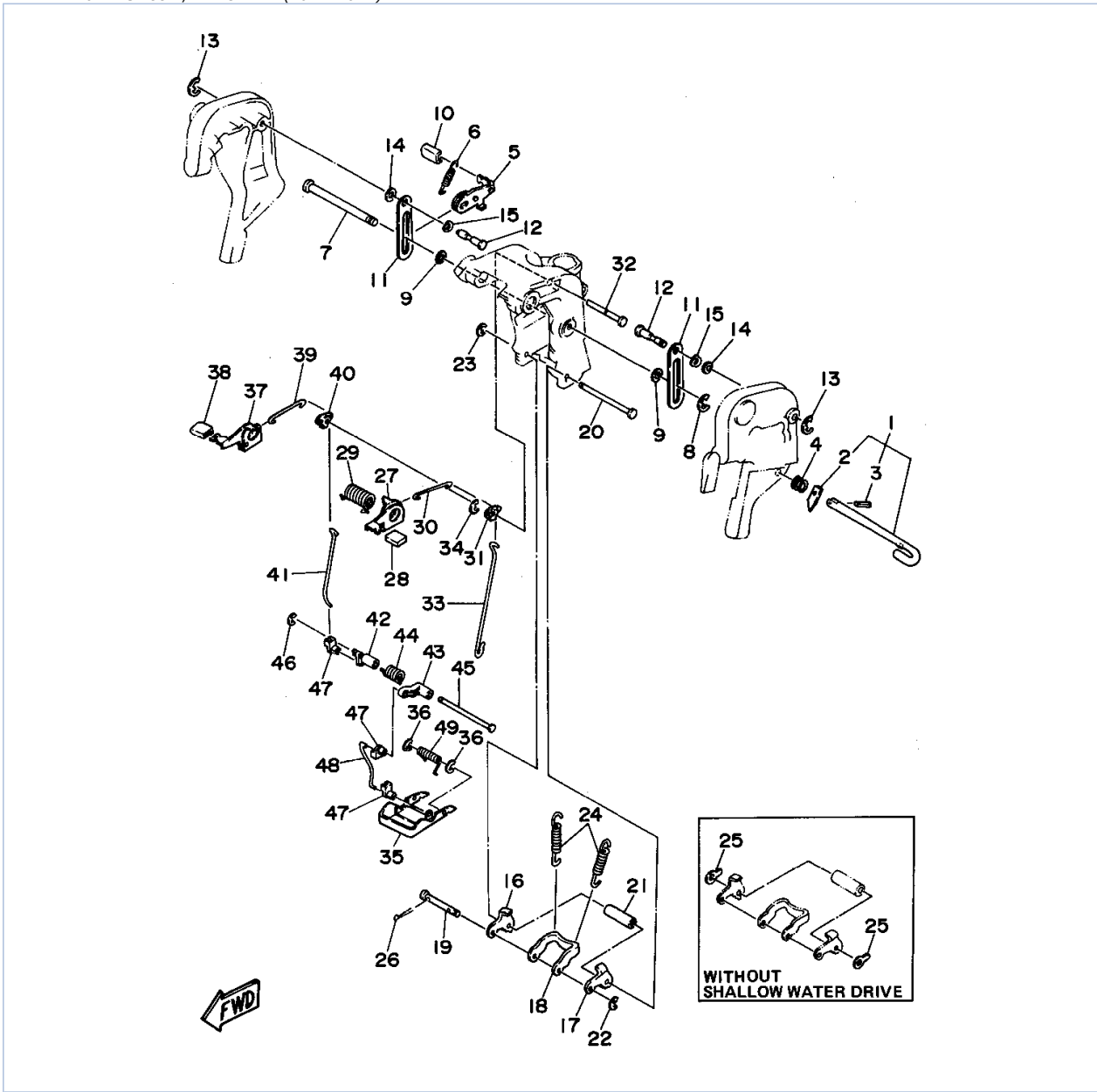
## Part Notes

40MLHS 1994 / BRACKET 1 (40MH 40ER)

PART NUMBER		NOTE TEXT
92990-10600-00		OEM: This part number is among the Top 100 Most Popular Marine Maintenance Parts as of March 2014.

©2014 Yamaha Motor Corporation, U.S.A. All rights reserved.

40MLHS 1994 / BRACKET 2 (40MH 40ER)



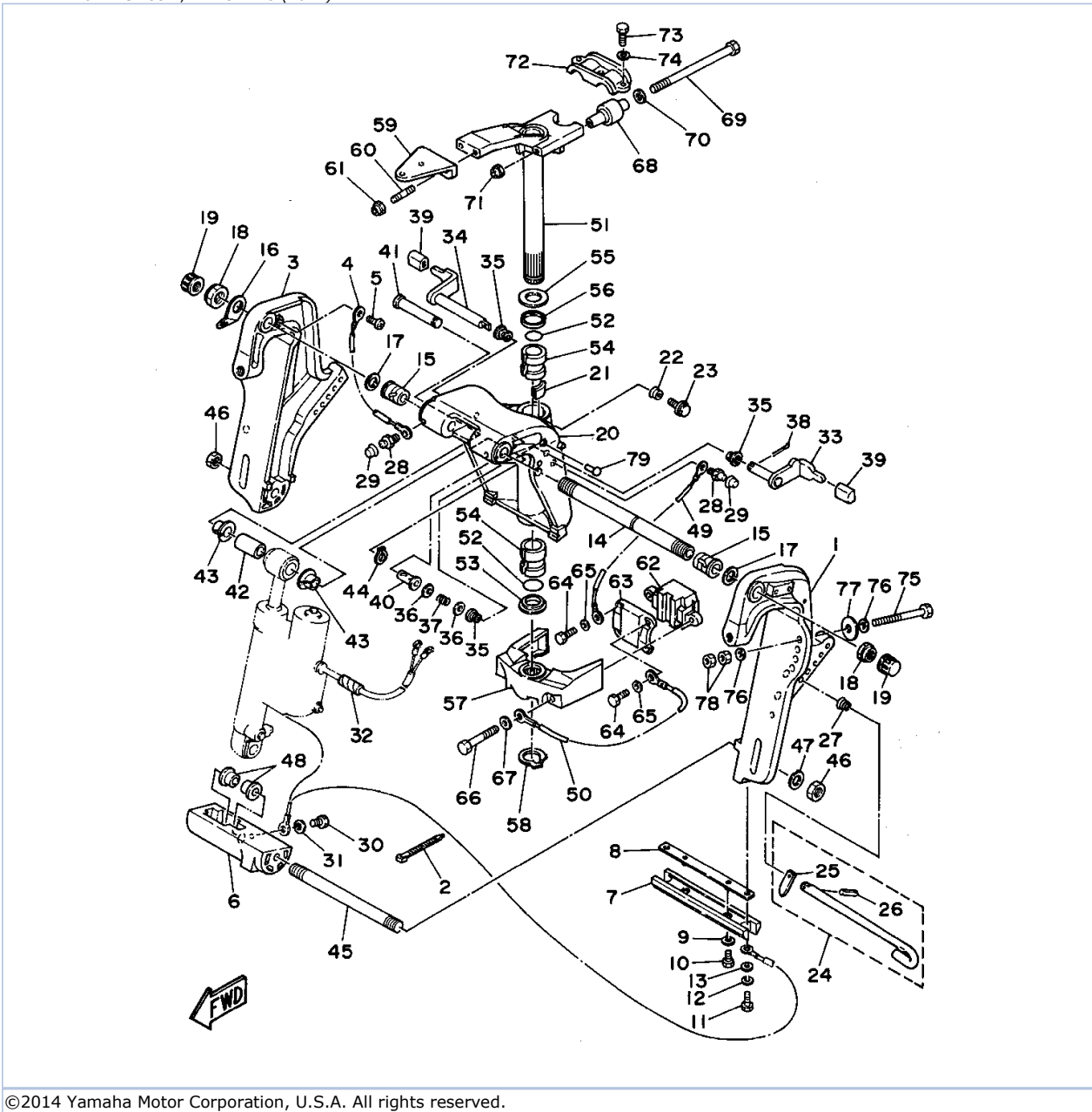
©2014 Yamaha Motor Corporation, U.S.A. All rights reserved.

## Part List

40MLHS 1994 / BRACKET 2 (40MH 40ER)

REF - NO	PART NUMBER	PART NAME	QUANTITY	REMARKS
1	6H4-43160-01-00	TILT ROD ASSY	1	
2	676-43165-00-00	.PLATE, TILT LOCK	1	
3	91690-30010-00	.PIN, SPRING	1	
4	90502-10M04-00	SPRING, CONICAL	1	
5	6J8-43181-01-00	LEVER, TILT STOP	1	
6	90506-12M25-00	SPRING, TENSION	1	
7	90249-12M28-00	PIN	1	
8	93430-10M00-00	CIRCLIP	1	
9	90202-12031-00	WASHER, PLATE	2	
10	682-43318-01-00	COVER	1	
11	6J8-43627-00-00	STOPPER	2	
12	90249-12M27-00	PIN	2	
13	93430-10M00-00	CIRCLIP	2	
14	90202-12031-00	WASHER, PLATE	2	
15	90206-12M16-00	WASHER, WAVE	2	
16	6J8-43614-00-00	PLATE, TILT LOCK	1	
17	6J8-43615-00-00	PLATE, TILT LOCK	1	
18	6J8-43613-01-00	ARM, TILT LOCK	1	
19	6H4-43659-00-00	SHAFT, REVERSE LOCK	1	
20	6J8-43611-01-00	SHAFT, TILT LOCK	1	
21	90387-07M64-00	COLLAR	1	
22	93430-06M02-00	.CIRCLIP	1	
23	99080-05600-00	CIRCLIP	1	
24	90506-32M22-00	SPRING, TENSION	2	
25	6H4-43674-00-00	WASHER	2	WITHOUT SHALLOW WATER DRIVE
26	91490-20015-00	PIN. COTTER	2	
27	6J8-43631-00-00	LEVER, TILT	1	
28	6J8-43633-00-00	COVER, TILT LEVER	1	
29	90508-18M24-00	SPRING, TORSION	1	UR
29	90508-18M23-00	SPRING, TORSION	1	UR FOR SHALLOW WATER DRIVE
30	6H4-43616-00-00	ROD, TILT LOCK	1	
31	6J8-43641-00-00	LEVER, TILT	1	
32	90249-06M23-00	PIN	1	UR
32	90249-06M24-00	PIN	1	UR FOR SHALLOW WATER DRIVE
33	6J8-43617-00-00	ROD, TILT LOCK	1	
34	99080-05600-00	CIRCLIP	1	
35	6J8-43681-01-00	LEVER, SHALLOW WATER DRIVE 1	1	SHALLOW WATER DRIVE
36	6J8-43673-00-00	WASHER 1	2	SHALLOW WATER DRIVE
37	6J8-43631-10-00	LEVER, TILT	1	SHALLOW WATER DRIVE
38	6J8-43633-00-00	COVER, TILT LEVER	1	SHALLOW WATER DRIVE
39	6H4-43616-00-00	ROD, TILT LOCK	1	SHALLOW WATER DRIVE
40	6J8-43641-00-00	LEVER, TILT	1	SHALLOW WATER DRIVE
41	6J8-43617-10-00	ROD, TILT LOCK	1	SHALLOW WATER DRIVE
42	6J8-43186-00-00	LEVER	1	SHALLOW WATER DRIVE
43	6J8-43187-00-00	LEVER 2	1	SHALLOW WATER DRIVE
44	90508-25M21-00	SPRING, TORSION	1	SHALLOW WATER DRIVE
45	90249-07M25-00	PIN	1	SHALLOW WATER DRIVE
46	99080-05600-00	CIRCLIP	1	SHALLOW WATER DRIVE
47	6J8-41262-00-00	JOINT, CHOKE LEVER	3	SHALLOW WATER DRIVE
48	6J8-43616-10-00	ROD, TILT LOCK	1	SHALLOW WATER DRIVE
49	90508-20M22-00	SPRING, TORSION	1	SHALLOW WATER DRIVE

40MLHS 1994 / BRACKET 3 (40PR)



©2014 Yamaha Motor Corporation, U.S.A. All rights reserved.

## Part List

40MLHS 1994 / BRACKET 3 (40PR)





REF - NO	PART NUMBER	PART NAME	QUANTITY	REMARKS
1	6H5-43111-02-4D	BRACKET, CLAMP	1	
2	90465-11M10-00	CLAMP	1	
3	6H5-43112-03-4D	BRACKET, CLAMP	1	
4	6E5-82148-00-00	WIRE, LEAD 4	1	
5	98580-06008-00	SCREW, PAN HEAD	1	
6	6H5-43128-01-4D	SPACER, CLAMP BRACKET	1	
7	6H1-45251-02-00	ANODE	1	
8	6H1-44526-00-00	PLATE	1	
9	90201-06M31-00	.WASHER, PLATE	2	
10	97095-06012-00	BOLT	2	
11	97395-06016-00	BOLT, HEX	2	
12	92995-06100-00	WASHER, SPRING	2	
13	92990-06600-00	WASHER, PLATE	2	
14	6J8-43131-01-00	BOLT, CLAMP BRACKET	1	
15	90386-22M15-00	BUSH	2	
16	6J8-43113-01-00	PLATE, CLAMP BRACKET	1	
17	90201-22428-00	WASHER, PLATE	2	
18	90185-22043-00	NUT, SELF-LOCKING	2	
19	6G5-43145-00-00	CAP, CLAMP BRACKET	2	
20	6H5-43311-04-4D	BRACKET, SWIVEL	1	
21	6J8-42528-00-00	PLATE, FRICTION	1	
22	689-43373-01-00	SEAL, DAMPER	1	
23	90105-06M18-00	BOLT, FLANGE	1	
24	676-43160-02-00	TILT ROD ASSY	1	
25	676-43165-00-00	.PLATE, TILT LOCK	1	
26	91690-30012-00	.PIN, SPRING	1	
27	90502-10M04-00	SPRING, CONICAL	1	
28	93700-06M03-00	NIPPLE, GREASE	3	
29	663-45119-00-00	CAP, GREASE NIPPLE	3	
30	97095-06010-00	BOLT	1	
31	92990-06600-00	WASHER, PLATE	1	
32	90446-10M01-00	HOSE (L60)	2	
33	6H5-43181-02-00	LEVER, TILT STOP	1	
34	6H5-43185-02-00	LEVER, TILT STOP	1	
35	90386-10M16-00	BUSH	3	
36	92990-10600-00	WASHER, PLATE	2	
37	90501-10M21-00	SPRING, COMPRESSION	1	
38	91490-30030-00	PIN, COTTER	1	
39	663-43318-00-00	COVER	2	
40	90386-10M19-00	BUSH	1	
41	6H5-43126-02-00	PIN, UPPER SHOCK MOUNT	1	
42	90386-12M65-00	BUSH	1	
43	90386-12M64-00	BUSH	2	
44	93410-12M08-00	CIRCLIP	1	
45	90116-18M21-00	BOLT, STUD	1	
46	90170-18M10-00	NUT	2	
47	92990-18600-00	WASHER	1	
48	90386-18M44-00	BUSH	2	
49	6H5-82127-00-00	WIRE, LEAD 2	1	
50	6H5-82149-00-00	WIRE, LEAD 3	1	
51	6H4-42510-02-4D	STEERING BRACKET ASSEMBLY	1	
52	93210-29M94-00	O-RING	2	
53	90386-30M60-00	BUSH	1	



54	90386-30M77-00	BUSH	2	
55	90201-30M00-00	WASHER, PLATE	1	
56	90386-30M78-00	BUSH	1	
57	6H4-44551-01-4D	HOUSING, LOWER MOUNT RUBBER	1	
58	93410-28M06-00	CIRCLIP	1	
59	6H4-48511-51-4D	HOOK, STEERING	1	
60	90116-10175-00	BOLT, STUD	2	
61	90185-10051-00	NUT, SELF-LOCKING	2	
62	6H4-44557-00-00	MOUNT DAMPER, LOWER FRONT	1	
62	6H4-44557-10-00	MOUNT DAMPER, LOWER FRONT	1	
63	6H4-44553-01-00	COVER, LOWER MOUNT	1	
64	97395-08025-00	BOLT	4	
65	92990-08600-00	..WASHER, PLATE	4	
66	97395-10060-00	BOLT	2	
67	92990-10600-00	WASHER, PLATE	2	
68	6H4-44514-00-00	MOUNT DAMPER, UPPER SIDE	2	
69	90101-08M86-00	BOLT	2	
70	90201-09425-00	WASHER, PLATE	2	
71	90185-08045-00	NUT, SELF-LOCKING	2	
72	6H4-44511-00-94	COVER, UPPER MOUNT	1	
73	97090-08035-00	BOLT	3	
74	92990-08100-00	WASHER, SPRING	3	
75	90101-12M65-00	BOLT	4	
76	92990-12200-00	WASHER, PLAIN	8	
77	90201-12426-00	WASHER, PLATE	4	
78	95380-12600-00	NUT	8	
79	90269-03010-00	RIVET	1	

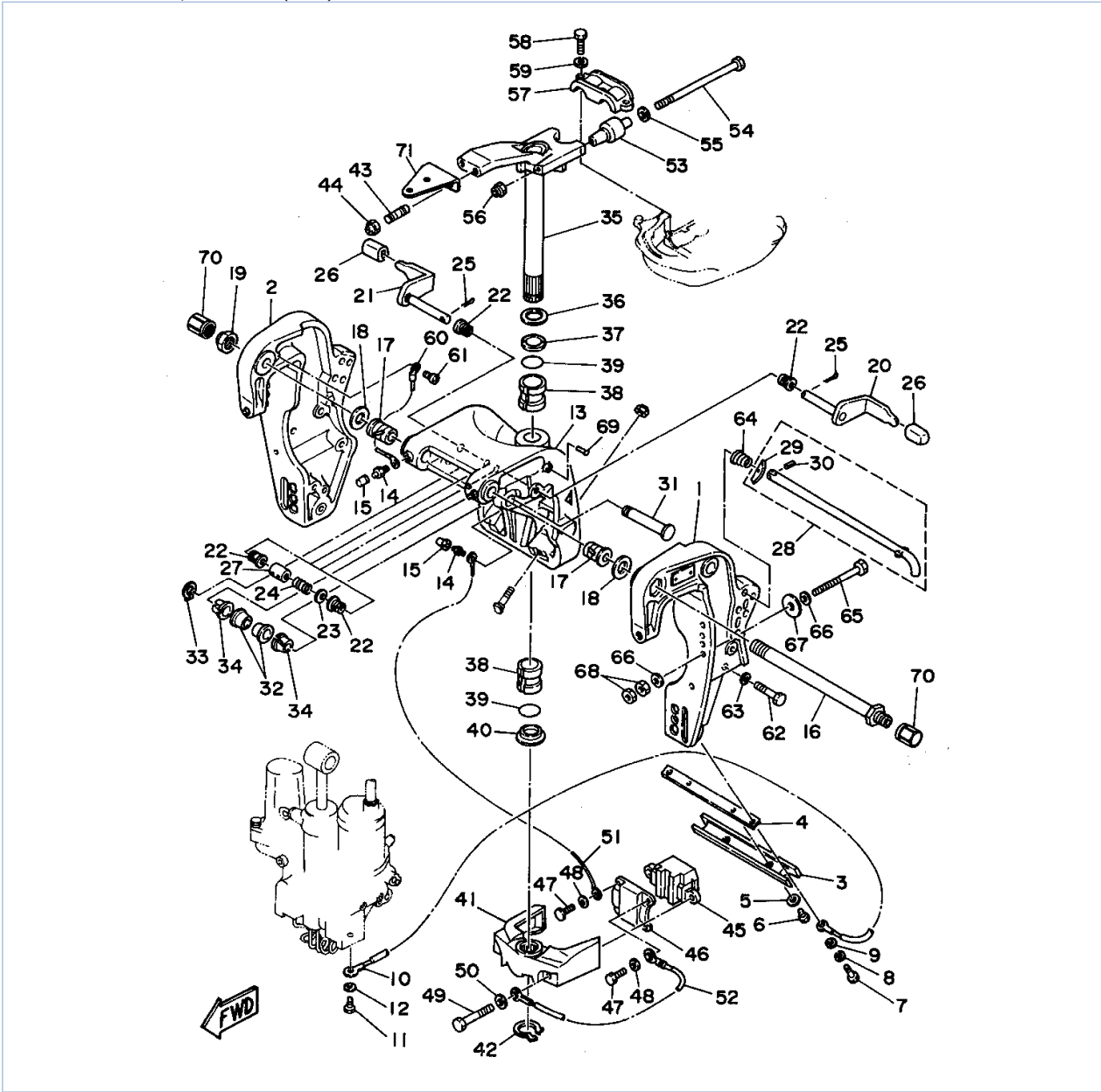
## Part Notes

40MLHS 1994 / BRACKET 3 (40PR)

PART NUMBER		NOTE TEXT
92990-06600-00		OEM: This part number is among the Top 100 Most Popular Marine Maintenance Parts as of March 2014.
92990-06600-00		OEM: This part number is among the Top 100 Most Popular Marine Maintenance Parts as of March 2014.
92990-10600-00		OEM: This part number is among the Top 100 Most Popular Marine Maintenance Parts as of March 2014.
92990-10600-00		OEM: This part number is among the Top 100 Most Popular Marine Maintenance Parts as of March 2014.

©2014 Yamaha Motor Corporation, U.S.A. All rights reserved.

40MLHS 1994 / BRACKET 4 (40TR)



©2014 Yamaha Motor Corporation, U.S.A. All rights reserved.

## Part List





40MLHS 1994 / BRACKET 4 (40TR)

REF - NO	PART NUMBER	PART NAME	QUANTITY	REMARKS
1	697-43111-04-4D	BRACKET, CLAMP	1	
2	697-43112-03-4D	BRACKET, CLAMP	1	
3	6H1-45251-02-00	ANODE	1	
4	6H1-44526-00-00	PLATE	1	
5	90201-06M31-00	.WASHER, PLATE	2	
6	97095-06012-00	BOLT	2	
7	97395-06016-00	BOLT, HEX	2	
8	92995-06100-00	WASHER, SPRING	2	
9	92990-06600-00	WASHER, PLATE	2	
10	6H1-82148-00-00	WIRE, LEAD 4	1	
11	97095-06010-00	BOLT	1	
12	92990-06600-00	WASHER, PLATE	1	
13	697-43311-03-4D	BRACKET, SWIVEL	1	
14	93700-06M03-00	NIPPLE, GREASE	3	
15	663-45119-00-00	CAP, GREASE NIPPLE	3	
16	688-43131-03-00	BOLT, CLAMP BRACKET	1	
17	90386-22M15-00	BUSH	2	
18	90201-22M67-00	WASHER, PLATE	2	
19	90185-22043-00	NUT, SELF-LOCKING	1	
20	688-43181-04-00	LEVER, TILT STOP	1	
21	688-43185-04-00	LEVER, TILT STOP	1	
22	90386-10M16-00	BUSH	4	
23	92990-10600-00	WASHER, PLATE	1	
24	90501-10M21-00	SPRING, COMPRESSION	1	
25	91490-30030-00	PIN, COTTER	2	
26	663-43318-00-00	COVER	2	
27	90387-10M38-00	COLLAR	1	
28	697-43160-00-00	TILT ROD ASSEMBLY	1	
29	688-43165-00-00	.PLATE, TILT LOCK	1	
30	91690-30012-00	.PIN, SPRING	1	
31	6E5-43126-02-00	PIN, UPPER SHOCK MOUNT	1	
32	90386-18M63-00	BUSH	2	
33	93410-18M02-00	CIRCLIP	1	
34	90386-18M35-00	BUSH	2	
35	6H4-42510-02-4D	STEERING BRACKET ASSEMBLY	1	
36	90201-30M00-00	WASHER, PLATE	1	
37	90386-30M78-00	BUSH	1	
38	90386-30M77-00	BUSH	2	
39	93210-29M94-00	O-RING	2	
40	90386-30M60-00	BUSH	1	
41	6H4-44551-01-4D	HOUSING, LOWER MOUNT RUBBER	1	
42	93410-28M06-00	CIRCLIP	1	
43	90116-10175-00	BOLT, STUD	2	
44	90185-10051-00	NUT, SELF-LOCKING	2	
45	6H4-44557-00-00	MOUNT DAMPER, LOWER FRONT	1	
45	6H4-44557-10-00	MOUNT DAMPER, LOWER FRONT	1	
46	6H4-44553-01-00	COVER, LOWER MOUNT	1	
47	97395-08025-00	BOLT	4	
48	92990-08600-00	..WASHER, PLATE	4	
49	97395-10060-00	BOLT	2	
50	92990-10600-00	WASHER, PLATE	2	

51	6H5-82117-00-00	WIRE, LEAD	1	
52	6H5-82149-00-00	WIRE, LEAD 3	1	
53	6H4-44514-00-00	MOUNT DAMPER, UPPER SIDE	2	
54	90101-08M86-00	BOLT	2	
55	90201-09425-00	WASHER, PLATE	2	
56	90185-08045-00	NUT, SELF-LOCKING	2	
57	6H4-44511-00-94	COVER, UPPER MOUNT	1	
58	97090-08035-00	BOLT	3	
59	92990-08100-00	WASHER, SPRING	3	
60	6E5-82148-00-00	WIRE, LEAD 4	1	
61	98580-06012-00	SCREW, PAN HEAD	1	
62	97395-10045-00	BOLT	6	
63	92990-10100-00	WASHER, SPRING	6	
64	90502-20M03-00	SPRING, CONICAL	1	
65	90101-12M65-00	BOLT	4	
66	92995-12200-00	WASHER	8	
67	90201-12426-00	WASHER, PLATE	4	
68	95380-12600-00	NUT	8	
69	90269-03010-00	RIVET	1	
70	6G5-43145-00-00	CAP, CLAMP BRACKET	2	
71	6H4-48511-51-4D	HOOK, STEERING	1	

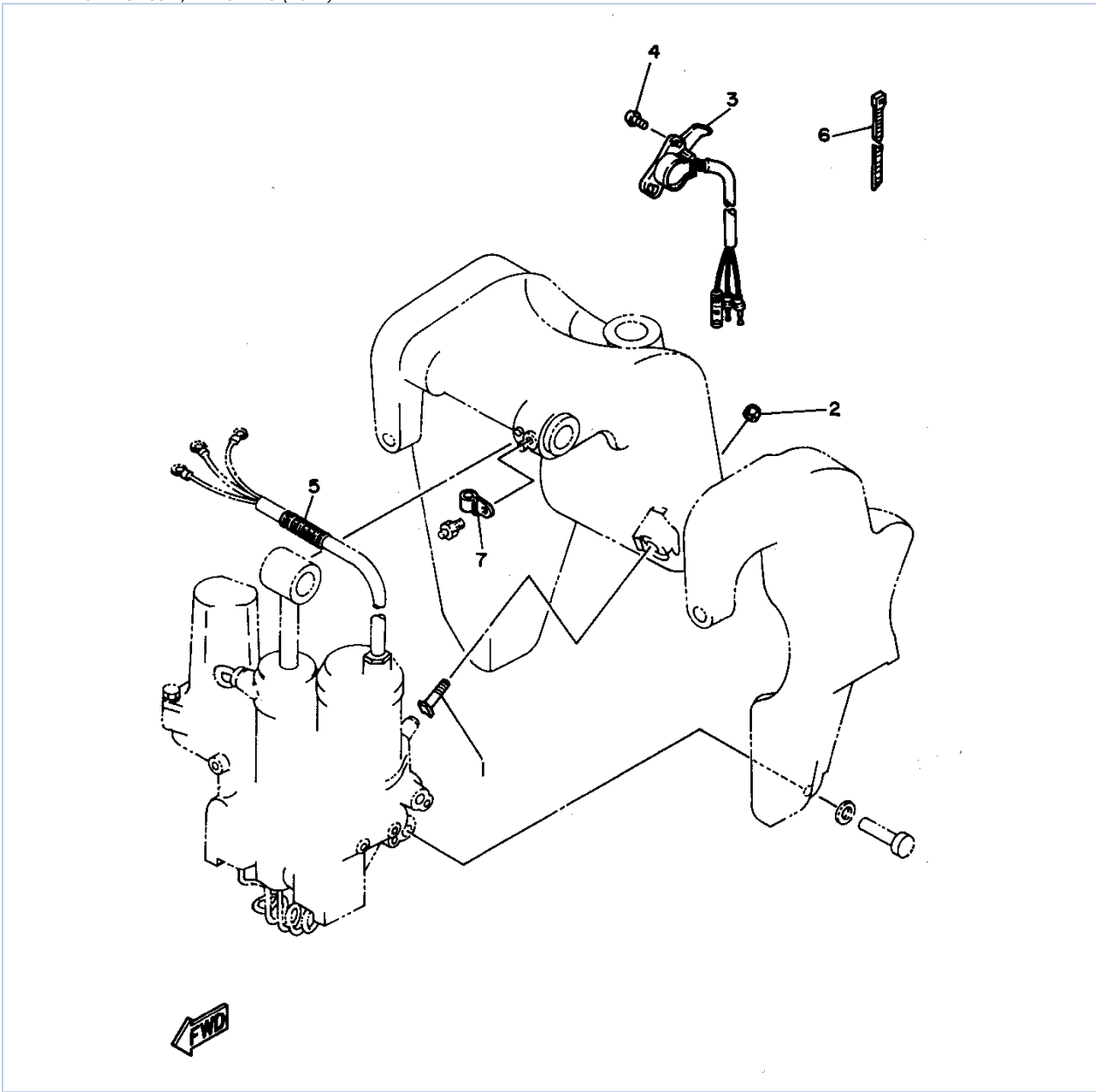
## Part Notes

40MLHS 1994 / BRACKET 4 (40TR)

PART NUMBER		NOTE TEXT
92990-06600-00		OEM: This part number is among the Top 100 Most Popular Marine Maintenance Parts as of March 2014.
92990-06600-00		OEM: This part number is among the Top 100 Most Popular Marine Maintenance Parts as of March 2014.
92990-10600-00		OEM: This part number is among the Top 100 Most Popular Marine Maintenance Parts as of March 2014.
92990-10600-00		OEM: This part number is among the Top 100 Most Popular Marine Maintenance Parts as of March 2014.

©2014 Yamaha Motor Corporation, U.S.A. All rights reserved.

40MLHS 1994 / BRACKET 5 (40TR)



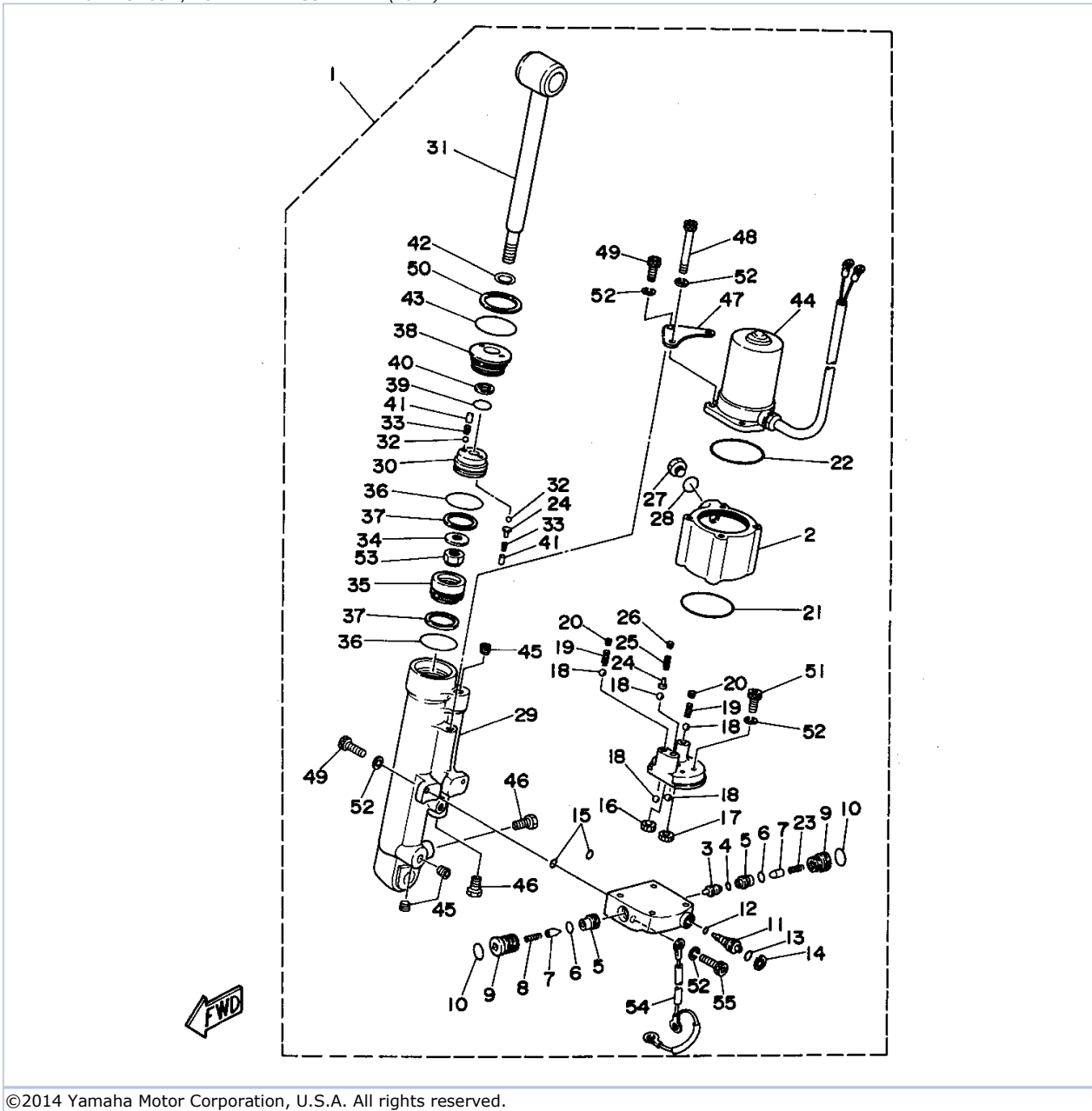
©2014 Yamaha Motor Corporation, U.S.A. All rights reserved.

## Part List

40MLHS 1994 / BRACKET 5 (40TR)

REF - NO	PART NUMBER	PART NAME	QUANTITY	REMARKS
1	688-43376-01-00	BOLT, THRUST RECEIVER	2	
2	95780-08300-00	..NUT, FLANGE	2	
3	6H5-83672-00-00	TRIM SENDER	1	
4	98580-06016-00	SCREW, PAN HEAD	2	
5	90440-14M00-00	PIPE	1	
6	90465-11M10-00	CLAMP	3	
7	90465-08028-00	CLAMP	1	

40MLHS 1994 / POWER TILT ASSEMBLY 1 (40PR)



©2014 Yamaha Motor Corporation, U.S.A. All rights reserved.

## Part List

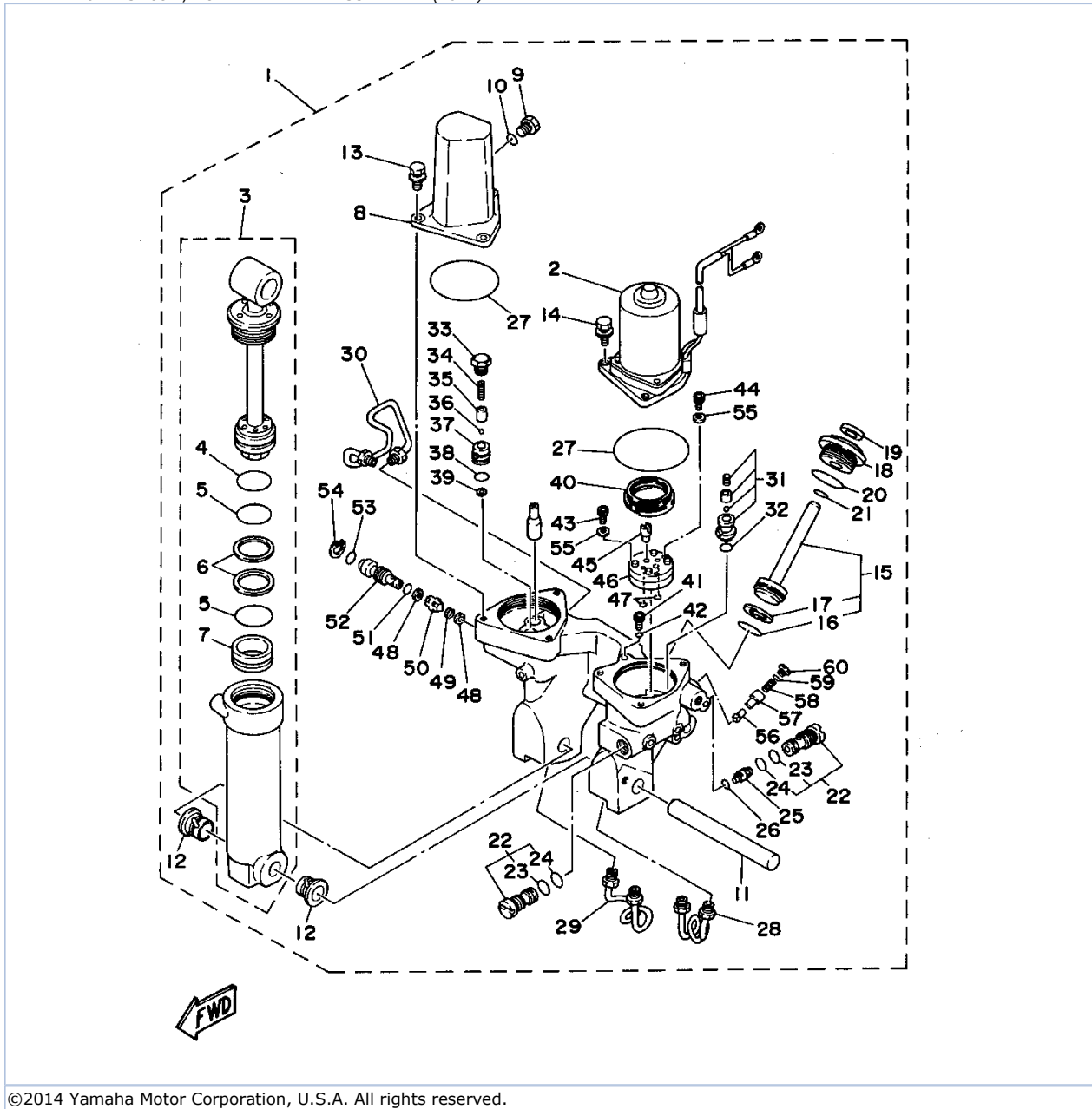
40MLHS 1994 / POWER TILT ASSEMBLY 1 (40PR)

REF - NO	PART NUMBER	PART NAME	QUANTITY	REMARKS
1	6H5-43840-05-4D	POWER TILT ASSEMBLY	1	
2	6H5-43828-00-00	.BODY, RESERVOIR	1	
3	6H5-43841-00-00	.PISTON, SHUTTLE	1	
4	6H5-43861-00-00	.O-RING	1	
5	6H5-43891-00-00	.BUSHING 1	2	
6	6H5-43862-00-00	.O-RING	2	
7	6H5-43849-00-00	.PIN, VALVE SUPPORT	2	
8	6H5-43853-00-00	.SPRING, MAIN VALVE	1	
9	6H5-4382E-00-00	.ADAPTOR 2	2	
10	6H5-43863-00-00	.O-RING	2	
11	6H5-43846-02-00	.SCREW, MANUAL VALVE SEAT	1	
12	6H5-43864-00-00	.O-RING	1	
13	6H5-43865-00-00	.O-RING	1	
14	6H5-43875-00-00	.RING, SNAP	1	
15	6H5-43866-00-00	.O-RING	2	
16	6H5-43837-00-00	.GEAR, DRIVEN	1	
17	6H5-43836-00-00	.GEAR, DRIVE	1	
18	6H5-43858-10-00	.BALL	5	
19	6H5-43856-00-00	.SPRING, DOWN RELIEF	2	
20	6H5-43844-00-00	.PIN, VALVE SUPPORT	2	
21	6H5-43867-00-00	.O-RING	1	
22	6H5-43868-00-00	.O-RING	1	
23	6H5-43853-10-00	.SPRING, MAIN VALVE	1	
24	6H5-43859-00-00	.PIN, VALVE SUPPORT	6	
25	6H5-43855-01-00	.SPRING, UP RELIEF	1	
26	6H5-4386F-00-00	.RING, STRAIGHT	1	
27	6H5-43829-00-00	.PLUG, RESERVOIR	1	
28	6H5-43865-00-00	.O-RING	1	
29	6H5-43813-00-00	.CYLINDER, TILT	1	
30	6H5-4385A-00-00	.PISTON, TILT	1	
31	6H5-43801-00-00	.ROD	1	
32	6H5-43858-00-00	.BALL	5	
33	6H5-43857-00-00	.SPRING, ABSORBER VALVE	5	
34	6H5-43893-00-00	.WASHER	1	
35	6H5-43814-00-00	.PISTON, FREE	1	
36	6H5-43883-00-00	.O-RING	2	
37	6H5-43871-00-00	.RING, BACK UP	2	
38	6H5-4381E-00-00	.BRACKET	1	
39	6H5-43896-00-00	.O-RING	1	
40	6H5-43873-00-00	.RING, BACK UP	1	
41	6H5-4381A-00-00	.SHAFT	5	
42	6H5-43812-00-00	.SEAL, DUST	1	
43	6H5-43897-00-00	.O-RING	1	
44	6H5-43880-02-00	.MOTOR ASSEMBLY	1	
45	6H5-43826-00-00	.PLUG, TAPER SCREW	3	
46	6H5-43811-00-00	.SCREW, CYLINDER END	2	
47	6H5-4381F-00-00	.BRACKET	1	
48	6H5-43887-00-00	.BOLT, THROUGH	4	
49	6H5-43886-00-00	.BOLT	3	
50	6H5-43872-00-00	.RING, BACK UP	1	
51	91316-06020-00	.BOLT	4	
52	92995-06100-00	.WASHER, SPRING	12	
53	95600-12100-00	.NUT, U	1	



54	6G1-82127-00-00	.WIRE, LEAD 2	1	
55	6H5-4388A-00-00	.BOLT	1	

40MLHS 1994 / POWER TRIM TILT ASSEMBLY 2 (40TR)



©2014 Yamaha Motor Corporation, U.S.A. All rights reserved.

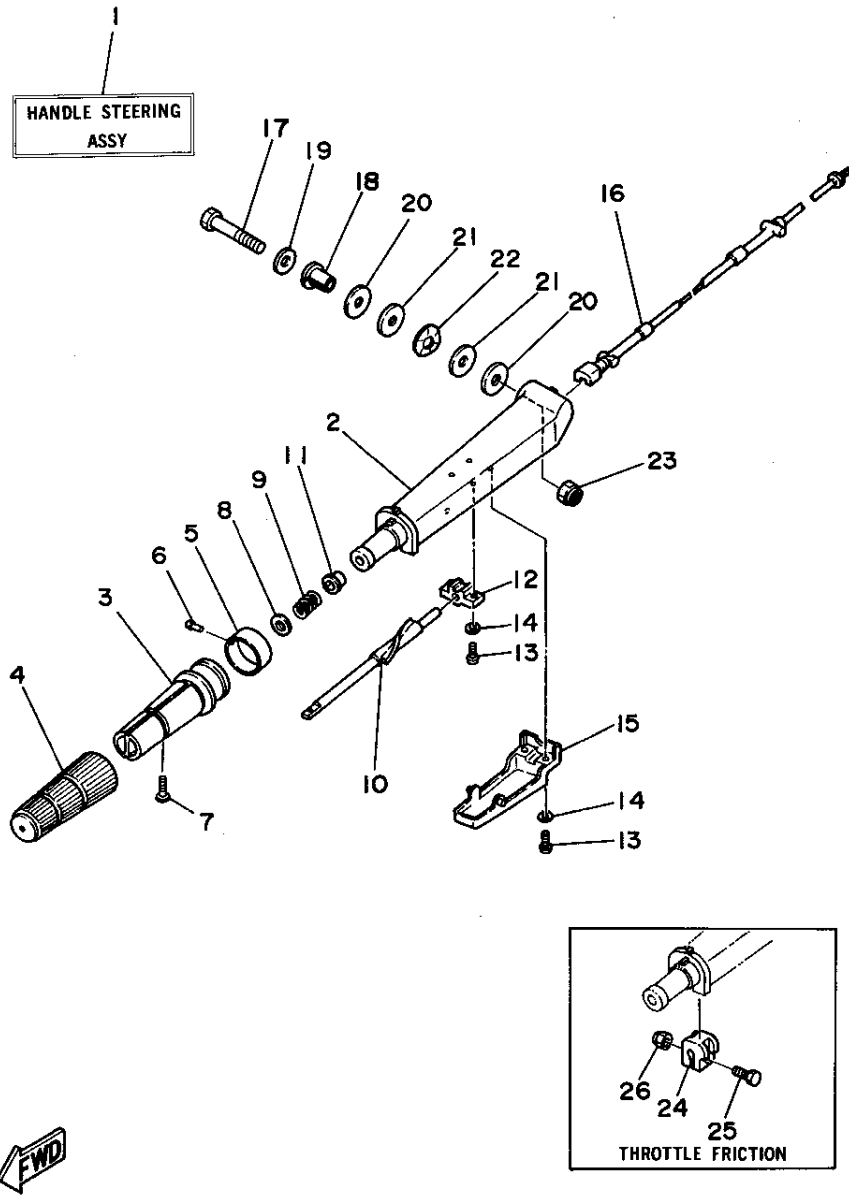
## Part List

40MLHS 1994 / POWER TRIM TILT ASSEMBLY 2 (40TR)

REF - NO	PART NUMBER	PART NAME	QUANTITY	REMARKS
1	6H3-43800-07-4D	POWER TRIM & TILT ASSEMBLY	1	
2	6H1-43880-02-00	.MOTOR ASSY	1	
3	697-4380E-01-00	.TILT CYLINDER ASSEMBLY	1	
4	6E5-43861-00-00	..O-RING	1	
5	6E5-43862-00-00	..O-RING	2	
6	6E5-43872-00-00	..RING, BACK UP	2	
7	6E5-43814-01-00	..PISTON, FREE	1	
8	6E5-43828-00-00	.BODY, RESERVOIR	1	
9	6E5-43829-00-00	.PLUG, RESERVOIR	1	
10	6E5-43863-00-00	.O-RING	1	
11	6E5-43818-00-00	.PIN, LOWER SHOCK MOUNT	1	
12	90386-18M14-00	.BUSH	2	
13	90119-06M42-00	.BOLT, WITH WASHER	3	
14	90119-06M71-00	.BOLT, WITH WASHER	3	
15	6E5-43820-03-00	.PISTON SUB ASSEMBLY	2	
16	6E5-43864-00-00	..O-RING	1	
17	6E5-43874-01-00	..RING, BACK UP	1	
18	6E5-43821-01-00	.SCREW, TRIM CYLINDER END	2	
19	6E5-43822-01-00	.SEAL, TRIM DUST	2	
20	6E5-43862-00-00	.O-RING	2	
21	6E5-43865-00-00	.O-RING	2	
22	6E5-43802-00-00	.VALVE SUB ASSEMBLY	2	
23	6E5-43866-00-00	..O-RING	1	
24	6E5-43867-00-00	..O-RING	1	
25	6E5-43841-01-00	.PISTON, SHUTTLE	1	
26	6E5-43868-00-00	.O-RING	1	
27	6E5-43869-00-00	.O-RING	2	
28	6E5-43833-01-00	.PIPE	1	
29	6E5-43834-01-00	.PIPE	1	
30	6E5-43835-01-00	.PIPE	1	
31	6G5-43808-02-00	.SEAT VALVE COMP 1	1	
32	6E5-43883-00-00	.O-RING	1	
33	6E5-43843-00-00	.SCREW, VALVE LOCK	1	
34	6H3-43855-00-00	.SPRING, UP RELIEF	1	
35	6E5-43859-00-00	.PIN, VALVE SUPPORT	1	
36	6E5-43877-01-00	.BALL	1	
37	6E5-43895-00-00	.O-RING	1	
38	6E5-43896-00-00	.O-RING	1	
39	6E5-43816-10-00	.FILTER 1	1	
40	6E5-43817-10-00	.FILTER 2	1	
41	90109-06M21-00	.BOLT	1	
42	6E5-43897-00-00	.O-RING	1	
43	6E5-43878-01-00	.BOLT, SOCKET	2	
44	6E5-43888-01-00	.BOLT, SOCKET	1	
45	6E5-43831-00-00	.CONNECTOR, SHAFT	1	
46	6E5-43830-00-00	.GEAR PUMP ASSEMBLY	1	
47	93210-07M78-00	.O-RING	2	
48	6E5-43847-00-00	.SEAT, MANUAL VALVE	2	
49	6E5-43854-01-00	.SPRING, MANUAL RELEASE	1	
50	6E5-4382A-00-00	.ADAPTER 1	1	
51	93210-10M74-00	.O-RING	1	
52	6E5-43845-01-00	.SCREW, MANUAL RELEASE	1	

53	93210-18M75-00	.O-RING	1	
54	6H1-43875-00-00	.RING, SNAP	1	
55	90201-05M00-00	.WASHER, PLATE	3	
56	6E5-4381A-00-00	.SHAFT	1	
57	6E5-43849-01-00	.PIN, VALVE SUPPORT	1	
58	6E5-43824-01-00	.SPRING, COMPRESSION	1	
59	93210-06M77-00	.O-RING	1	
60	6E5-43842-00-00	.SCREW, VALVE SEAT	1	

40MLHS 1994 / STEERING (40MH)



©2014 Yamaha Motor Corporation, U.S.A. All rights reserved.


## Part List

40MLHS 1994 / STEERING (40MH)

REF - NO	PART NUMBER	PART NAME	QUANTITY	REMARKS
1	6H4-W0084-04-4D	HANDLE STEERING ASSEMBLY (REF. #2~26)	1	
2	6H4-42111-01-4D	HANDLE, STEERING	1	
3	664-42119-00-00	GRIP, STEERING HANDLE	1	
4	6G1-42177-00-00	RUBBER, HANDLE	1	
5	6L2-42137-00-00	INDICATOR, THROTTLE	1	
6	90269-02M09-00	RIVET	1	
7	90149-05M13-00	SCREW	1	
8	92990-10600-00	WASHER, PLATE	1	
9	90501-23215-00	SPRING, COMPRESSION	1	
10	6H4-42138-01-00	LEVER, THROTTLE	1	
11	90386-08032-00	BUSH	1	
12	6H4-42159-00-00	STAY	1	
13	98580-05016-00	SCREW, PAN HEAD	4	
14	92901-05600-00	WASHER	4	
15	6H4-42131-00-00	COVER, HANDLE STEERING	1	
16	6H4-26311-03-00	CABLE, THROTTLE 1	1	
17	90101-12M37-00	BOLT	1	
18	90386-12089-00	BUSH	1	
19	92990-12200-00	WASHER, PLAIN	1	
20	90202-12092-00	WASHER, PLATE	2	
21	90201-12537-00	WASHER, PLATE	2	
22	90206-12054-00	WASHER, WAVE	1	
23	90185-12058-00	NUT, SELF-LOCKING	1	
24	656-42126-01-00	FRICTION, STEERING HANDLE GRIP	1	
25	97095-06020-00	BOLT	1	
26	90185-06062-00	NUT, SELF-LOCKING	1	

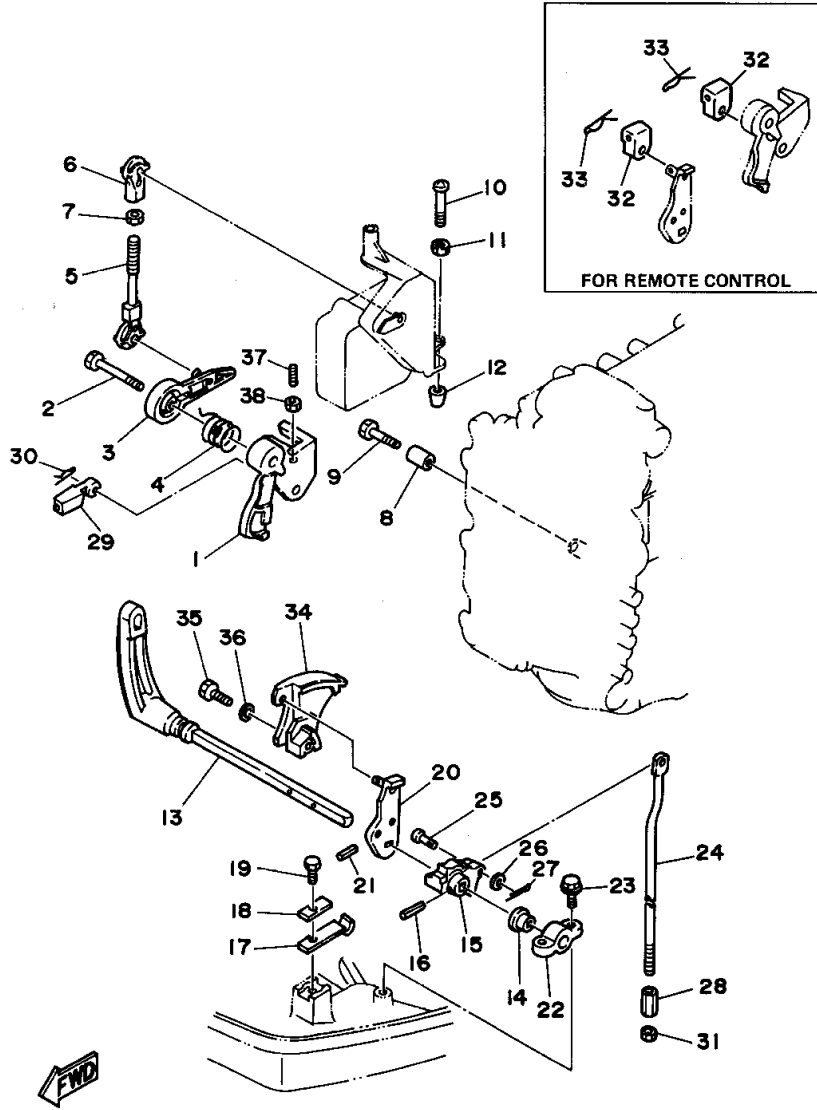
## Part Notes

40MLHS 1994 / STEERING (40MH)

PART NUMBER	NOTE TEXT
92990-10600-00 	OEM: This part number is among the Top 100 Most Popular Marine Maintenance Parts as of March 2014.

©2014 Yamaha Motor Corporation, U.S.A. All rights reserved.

40MLHS 1994 / CONTROL



©2014 Yamaha Motor Corporation, U.S.A. All rights reserved.



## Part List

40MLHS 1994 / CONTROL

REF - NO	PART NUMBER	PART NAME	QUANTITY	REMARKS
1	6H4-41213-04-00	CAM, ACCEL.	1	UR 40ER/ 40PR/40TR
1	6H4-41213-14-00	CAM, ACCEL.	1	UR 40MH
1	6H4-41213-A1-00	CAM, ACCEL.	1	UR ALASKA 35M MODEL
1	6H4-41213-E1-00	CAM, ACCEL.	1	UR ALASKA 35E MODEL
2	90109-06M43-00	BOLT	1	
3	6H4-41632-01-00	LEVER, MAGNETO CONTROL	1	
4	90508-26M20-00	SPRING, TORSION	1	
5	6G5-41636-01-00	ROD, MAGNETO CONTROL	1	
6	6H4-41237-00-00	JOINT, LINK	1	
7	95380-05600-00	NUT	1	
8	90387-06M19-00	COLLAR	1	
9	97395-06025-00	BOLT	1	
10	90157-06M13-00	SCREW, PAN HEAD	1	
11	95601-06200-00	NUT, U-FLANGE	1	
12	688-44194-00-00	CAP	1	
13	6H4-44111-00-00	HANDLE, GEAR SHIFT	1	UR 40MH
13	6H4-44111-10-00	HANDLE, GEAR SHIFT	1	UR 40ER/ 40PR/40TR
14	682-44132-00-00	BUSHING	1	
15	6H4-44121-02-00	LEVER, SHIFT ROD	1	
16	91690-30318-00	PIN, SPRING	1	
17	6H4-44116-00-00	SPRING	1	
18	682-44117-00-00	BRACKET	1	
19	97395-06016-00	BOLT, HEX	1	
20	6H4-44125-01-00	LEVER, SHIFT ROD	1	
21	91690-30316-00	PIN, SPRING	1	
22	6F5-41662-00-00	BRACKET 2	1	
23	97595-06520-00	BOLT, WITH WASHER	2	
24	6H4-44143-00-00	ROD, SHIFT	1	
25	91790-05020-00	PIN, CLEVIS	1	
26	92990-05600-00	WASHER, PLATE	1	
27	91490-16010-00	PIN. COTTER	1	
28	648-44146-00-00	CONNECTOR, SHIFT ROD	1	
29	663-48344-00-00	.CABLE END, REMOTE CONTROL	1	
30	90468-18008-00	CLIP	1	40MH
31	90170-07021-00	NUT	1	
32	6H4-48344-00-00	CABLE END, REMOTE CONTROL	2	AP FOR REMOTE CONTROL
33	90468-18008-00	CLIP	2	AP FOR REMOTE CONTROL
34	6H4-41633-01-00	LEVER, MAGNETO CONTROL	1	
35	97313-05020-00	BOLT, HEXAGON	1	40MH
36	92990-05600-00	WASHER, PLATE	1	40MH
37	90113-05M06-00	BOLT, SET	1	40MH
38	95303-05700-00	.NUT	1	40MH

## Part Notes

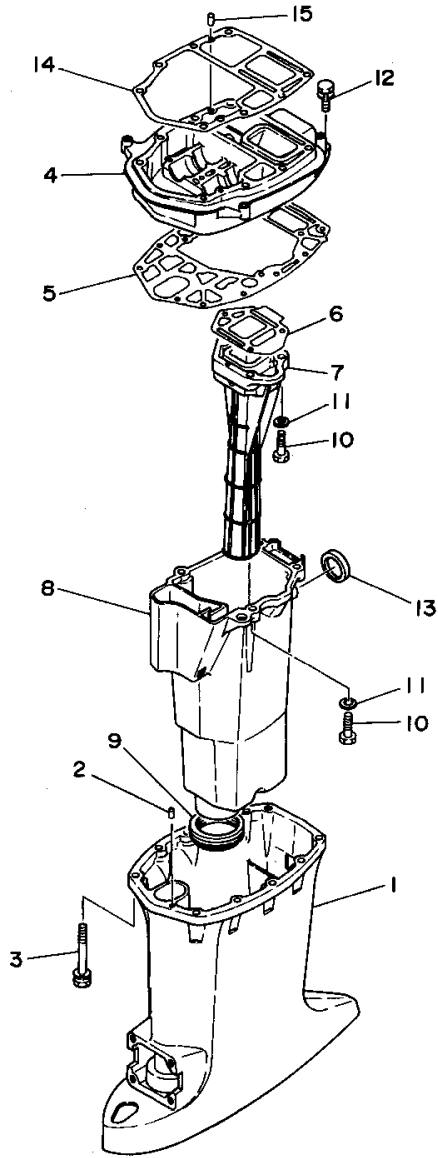
40MLHS 1994 / CONTROL

PART NUMBER	NOTE TEXT
90468-18008-00 	OEM: This part number is among the Top 100 Most Popular Marine Maintenance Parts as of March 2014.
90468-18008-00 	OEM: This part number is among the Top 100 Most Popular Marine Maintenance Parts as of March 2014.

©2014 Yamaha Motor Corporation, U.S.A. All rights reserved.



40MLHS 1994 / UPPER CASING



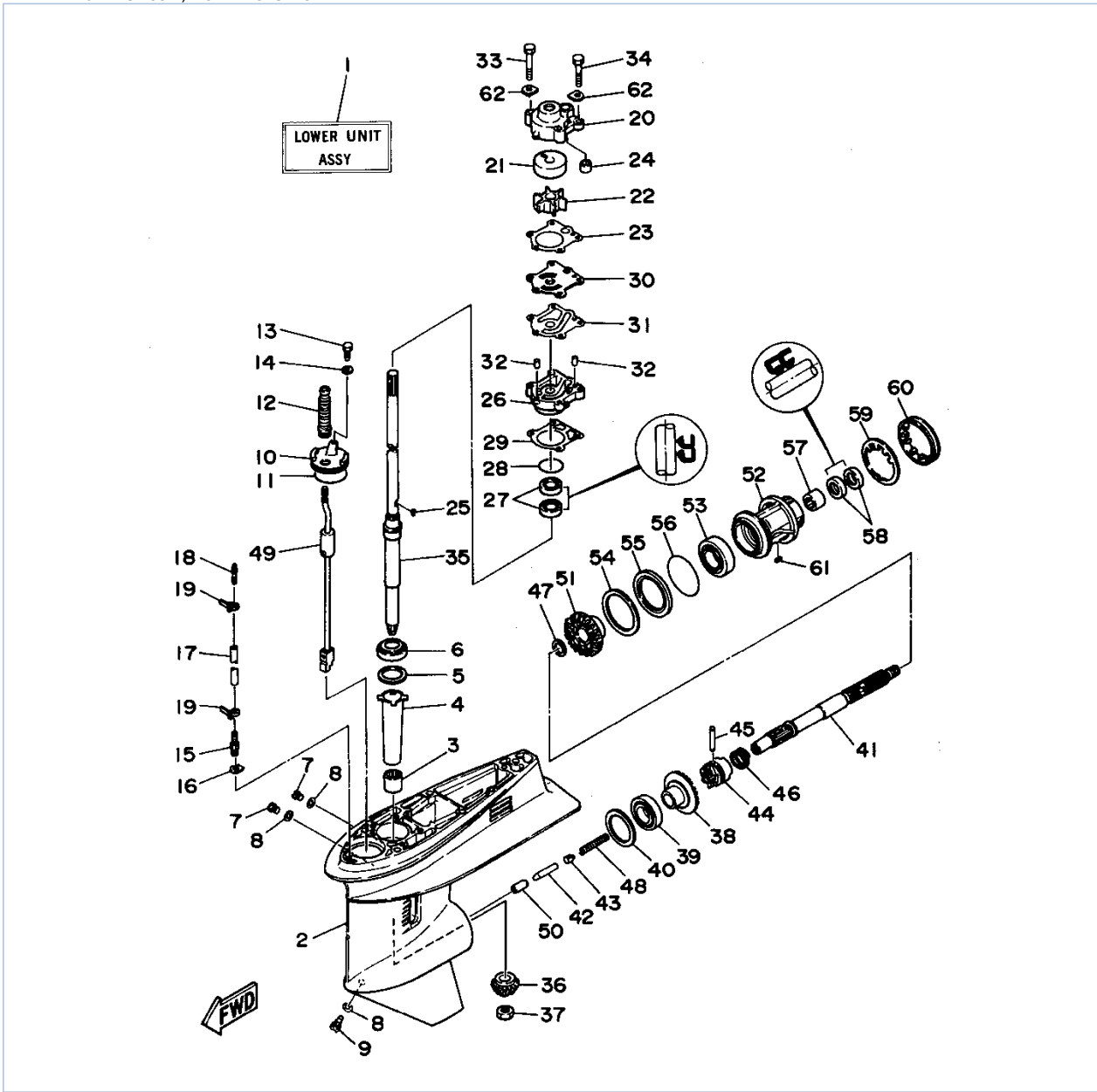
©2014 Yamaha Motor Corporation, U.S.A. All rights reserved.

## Part List

40MLHS 1994 / UPPER CASING

REF - NO	PART NUMBER	PART NAME	QUANTITY	REMARKS
1	6H4-45111-00-4D	CASING, UPPER	1	UR SHORT
1	6H4-45111-10-4D	CASING, UPPER	1	UR LONG
2	93606-12019-00	.PIN, DOWEL	2	
3	90119-08M83-00	BOLT, WITH WASHER	8	
4	6H4-41137-00-94	GUIDE, EXHAUST	1	
5	6H4-45114-A1-00	GASKET, UPPER CASING	1	
6	6H4-41134-A0-00	GASKET, EXHAUST MANIFOLD	1	
7	6H4-41131-01-5B	MANIFOLD, EXT. 1	1	
8	6H4-14711-10-5B	MUFFLER 1	1	UR LONG
8	6H4-14711-00-5B	MUFFLER 1	1	UR SHORT
9	663-45123-00-00	GASKET, MUFFLER	1	
10	97395-08030-00	BOLT	7	
11	92990-08600-00	..WASHER, PLATE	7	
12	90119-08M79-00	BOLT, WITH WASHER	2	
13	6H4-41133-00-00	GASKET, EXHAUST MANIFOLD 1	1	
14	6H4-45113-A0-00	GASKET, UPPER CASING	1	
15	93606-12019-00	.PIN, DOWEL	2	

40MLHS 1994 / LOWER CASING DRIVE 1



©2014 Yamaha Motor Corporation, U.S.A. All rights reserved.

## Part List




40MLHS 1994 / LOWER CASING DRIVE 1

REF - NO	PART NUMBER	PART NAME	QUANTITY	REMARKS
1	6H4-45300-12-4D	LOWER UNIT ASSEMBLY (REF. #2~62)	1	
1	6H4-45300-02-4D	LOWER UNIT ASSEMBLY (REF. #2~62)	1	
2	6H4-45301-01-4D	CASING, LOWER	1	
3	93315-32224-00	BEARING	1	
4	6H4-45536-00-00	SLEEVE, DRIVE SHAFT	1	
5	663-45587-01-12	SHIM (T:0.12MM)	1	UR
5	663-45587-01-10	SHIM (T:0.10MM)	1	UR
5	663-45587-01-15	SHIM (T:0.15MM)	1	UR
5	663-45587-01-50	SHIM (T:0.50MM)	1	UR
5	663-45587-01-40	SHIM (T:0.40MM)	1	UR
5	663-45587-01-18	SHIM (T:0.18MM)	1	UR
5	663-45587-01-30	SHIM (T:0.30MM)	1	UR
6	93332-00001-00	BEARING	1	
7	90340-08M04-00	PLUG, STRAIGHT SCREW	2	
8	90430-08020-00	.GASKET	3	
9	688-45341-00-00	PLUG, DRAIN	1	
10	6H4-45321-01-00	PLATE	1	
11	93210-49ME0-00	O-RING	1	
12	6G1-44147-00-00	.BOOT, SHIFT ROD	1	
13	97395-06016-00	BOLT, HEX	1	
14	92990-06600-00	WASHER, PLATE	1	
15	6H4-45378-00-00	NIPPLE, HOSE	1	
16	90209-10M14-00	WASHER	1	
17	90445-07ME9-00	HOSE (L120)	1	UR SHORT
17	90445-07M31-00	HOSE (L200)	1	UR LONG
18	6E5-83558-00-00	END, NIPPLE	1	UR 40MH/ 40ER/40PR
18	6E5-83558-10-00	END, NIPPLE	1	UR 40TR
19	90465-11M10-00	CLAMP	2	
20	6J8-44311-00-00	HOUSING, WATER PUMP	1	
21	663-44322-00-00	.INSERT, CARTRIDGE	1	
22	6H4-44352-02-00	.IMPELLER	1	
23	663-44315-A0-00	GASKET, WATER PUMP	1	
24	663-44366-00-00	.DAMPER, WATER SEAL 2	1	
25	90280-03024-00	.KEY, WOODRUFF	1	
26	663-44341-00-94	HOUSING, WATER PUMP	1	
27	93101-23070-00	.OIL SEAL	2	
28	93210-41042-00	O-RING	1	
29	663-44316-A0-00	GASKET, WATER PUMP	1	
30	663-44323-00-00	OUTER PLATE, CARTIDGE	1	
31	663-44324-A0-00	GASKET, CARTRIDGE	1	
32	93604-08062-00	PIN, DOWEL	2	
33	97395-08055-00	BOLT	2	
34	97395-08045-00	BOLT	2	
35	6H4-45501-00-00	DRIVE SHAFT COMP.	1	UR SHORT
35	6H4-45501-10-00	DRIVE SHAFT COMP.	1	UR LONG
36	6H4-45551-00-00	PINION	1	
37	90170-12138-00	NUT	1	
38	6H4-45560-00-00	GEAR	1	
39	93332-000V4-00	BEARING	1	
40	6H4-45567-01-10	SHIM (T:0.10MM)	1	UR
40	6H4-45567-01-12	SHIM (T:0.12MM)	1	UR
40	6H4-45567-01-15	SHIM (T:0.15MM)	1	UR

40	6H4-45567-01-18	SHIM (T:0.18MM)	1	UR
40	6H4-45567-01-30	SHIM (T:0.30MM)	1	UR
40	6H4-45567-01-40	SHIM (T:0.40MM)	1	UR
40	6H4-45567-01-50	SHIM (T:0.50MM)	1	UR
41	679-45611-01-00	SHAFT, PROPELLER	1	
42	676-45635-00-00	PLUNGER, SHIFT	1	
43	663-45634-00-00	SLIDE, SHIFT	1	
44	6H4-45631-00-00	CLUTCH, DOG	1	
45	90250-06023-00	PIN, STRAIGHT	1	
46	663-45633-00-00	RING, CROSS PIN	1	
47	90201-22429-00	WASHER, PLATE	1	
48	90501-16M01-00	SPRING, COMPRESSION	1	
49	6H4-44150-01-00	SHIFT CAM ASSEMBLY	1	UR SHORT
49	6H4-44150-12-00	SHIFT CAM ASSEMBLY	1	UR LONG
50	6H4-44160-00-00	DETENT COMP.	1	
51	6H4-45571-00-00	GEAR	1	
52	679-45331-00-94	HOUSING, BEARING	1	
53	93306-00702-00	BEARING	1	
54	663-45577-01-10	SHIM (T:0.10MM)	1	UR
54	663-45577-01-12	SHIM (T:0.12MM)	1	UR
54	663-45577-01-15	SHIM (T:0.15MM)	1	UR
54	663-45577-01-18	SHIM (T:0.18MM)	1	UR
54	663-45577-01-30	SHIM (T:0.30MM)	1	UR
54	663-45577-01-40	SHIM (T:0.40MM)	1	UR
54	663-45577-01-50	SHIM (T:0.50MM)	1	UR
55	663-45576-00-00	WASHER, THRUST	1	
56	93210-66M98-00	O-RING	1	
57	93317-22204-00	BEARING	1	
58	93101-22067-00	.OIL SEAL	2	
59	90214-48M03-00	WASHER, CLAW	1	
60	697-45384-00-00	NUT	1	
61	90282-04010-00	KEY, STRAIGHT	1	
62	90209-08M02-00	WASHER	4	

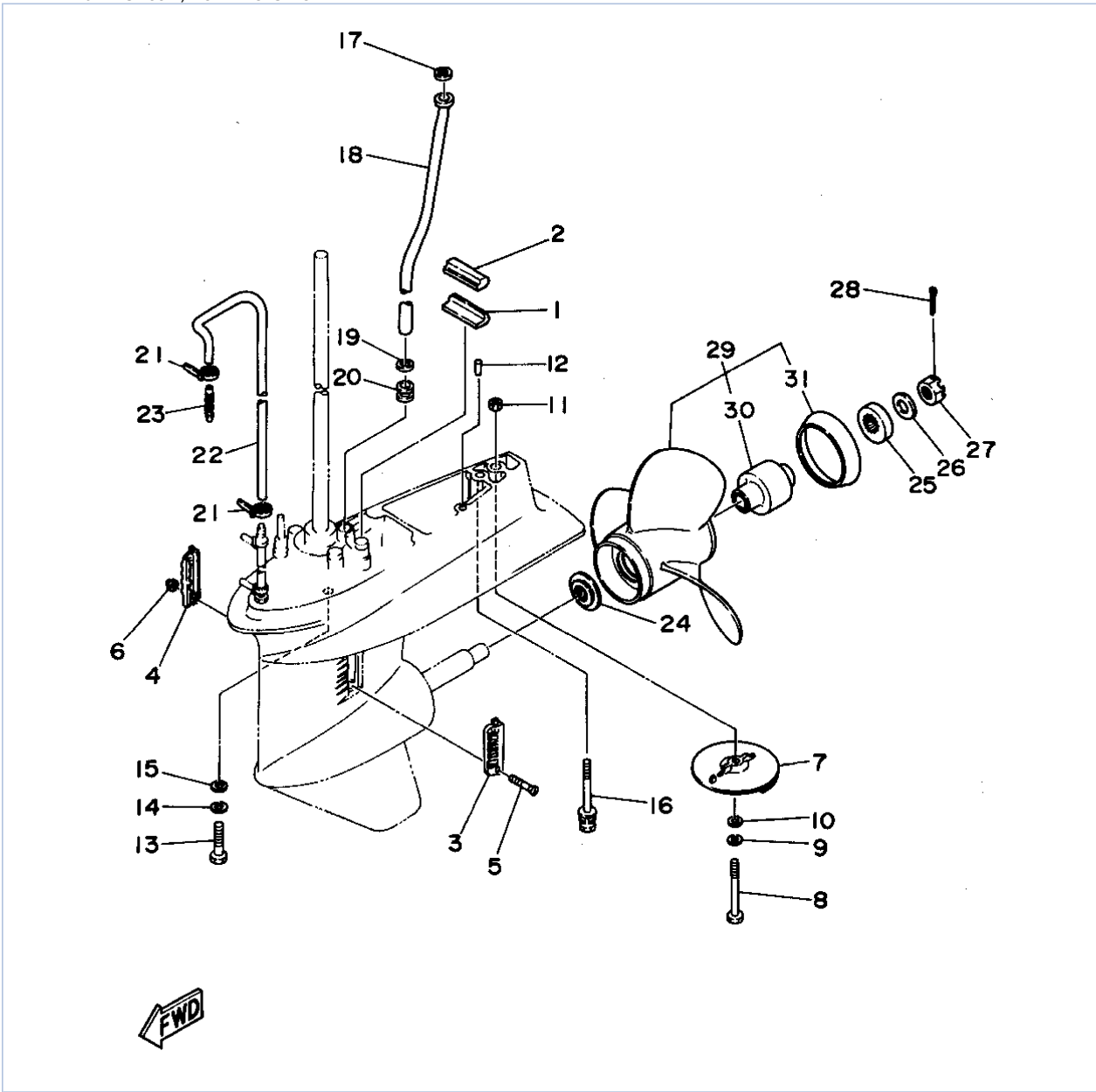
## Part Notes

40MLHS 1994 / LOWER CASING DRIVE 1

PART NUMBER		NOTE TEXT
90430-08020-00		OEM: This part number is among the Top 100 Most Popular Marine Maintenance Parts as of March 2014.
92990-06600-00		OEM: This part number is among the Top 100 Most Popular Marine Maintenance Parts as of March 2014.
6H4-44352-02-00		OEM: This part number is among the Top 100 Most Popular Marine Maintenance Parts as of March 2014.

©2014 Yamaha Motor Corporation, U.S.A. All rights reserved.

40MLHS 1994 / LOWER CASING DRIVE 2



©2014 Yamaha Motor Corporation, U.S.A. All rights reserved.

## Part List


40MLHS 1994 / LOWER CASING DRIVE 2

REF - NO	PART NUMBER	PART NAME	QUANTITY	REMARKS
1	663-45376-00-94	GUIDE, SEAL DAMPER	1	
2	688-45375-00-00	DAMPER, SEAL	1	
3	688-45214-02-00	COVER, WATER INLET 1	1	
4	688-45215-02-00	COVER, WATER INLET 2	1	
5	98680-05535-00	SCREW, OVAL HEAD	1	
6	90185-05002-00	NUT, NYLON	1	
7	664-45371-01-00	TAB-TRIM	1	
8	97375-08075-00	BOLT	1	
9	92990-08100-00	WASHER, SPRING	1	
10	92990-08600-00	..WASHER, PLATE	1	
11	95380-08600-00	NUT	1	
12	93606-12019-00	.PIN, DOWEL	2	
13	97395-10040-00	BOLT	4	
14	92990-10100-00	WASHER, SPRING	4	
15	92990-10600-00	WASHER, PLATE	4	
16	90119-08M92-00	BOLT, WITH WASHER	1	
17	90202-12060-00	WASHER, PLATE	1	
18	6H4-44361-10-00	TUBE, WATER	1	UR LONG
18	6H4-44361-00-00	TUBE, WATER	1	UR SHORT
19	90430-12072-00	GASKET	1	
20	663-44367-00-00	DAMPER, WATER SEAL 3	1	
21	90465-11M10-00	CLAMP	2	40TR
22	90445-07MF1-00	HOSE (L570)	1	40TR
23	6E5-83558-00-00	END, NIPPLE	1	40TR
24	663-45987-02-00	SPACER 1	1	
25	670-45997-02-00	SPACER	1	
26	92990-16200-00	WASHER, PLAIN	1	
27	90171-16011-00	NUT, CASTLE	1	
28	91490-30030-00	PIN, COTTER	1	
29	6H5-45952-00-EL	PROPELLER (3X10-3/8X13"-G)	1	
29	663-45949-01-EL	PROPELLER (3X10-3/4"X16"-G)	1	
29	663-45956-01-EL	PROPELLER (3X12-1/4"X9"-G)	1	
29	6H5-45958-00-EL	PROPELLER (3X10-1/4"X14"-G)	1	UR W/LIP CUP
29	663-45970-60-98	PROPELLER (3X11-3/4"X12"-G)	1	
29	663-45972-60-98	PROPELLER (3X12"X11"-G)	1	
29	663-45974-60-98	PROPELLER (3X11-1/2"X13"-G)	1	
29	663-45976-00-98	PROPELLER (3X10-1/4"X15"-G)	1	
29	663-45978-00-98	PROPELLER (3X10-1/4"X16"-G)	1	
29	663-45930-00-98	PROPELLER (3X10-1/4"X14"-G)	1	
29	663-45958-01-EL	PROPELLER (3X11-1/4"X14"-G)	1	
29	663-45947-02-EL	PROPELLER (3X11-5/8"X11"-G)	1	
29	6H5-45945-00-EL	PROPELLER (3X10-5/8X12"-G)	1	UR W/LIP CUP
29	6H5-45945-00-EL	PROPELLER (3X10-5/8X12"-G)	1	
29	6H5-45943-00-EL	PROPELLER (3X10"X15"-G)	1	UR W/LIP CUP
29	6H5-45943-00-EL	PROPELLER (3X10"X15"-G)	1	

29	663-45941-01-EL	PROPELLER (3X10-3/4"X17"-G)	1	
29	6H5-45952-00-EL	PROPELLER (3X10-3/8X13"-G)	1	UR W/LIP CUP

## Part Notes

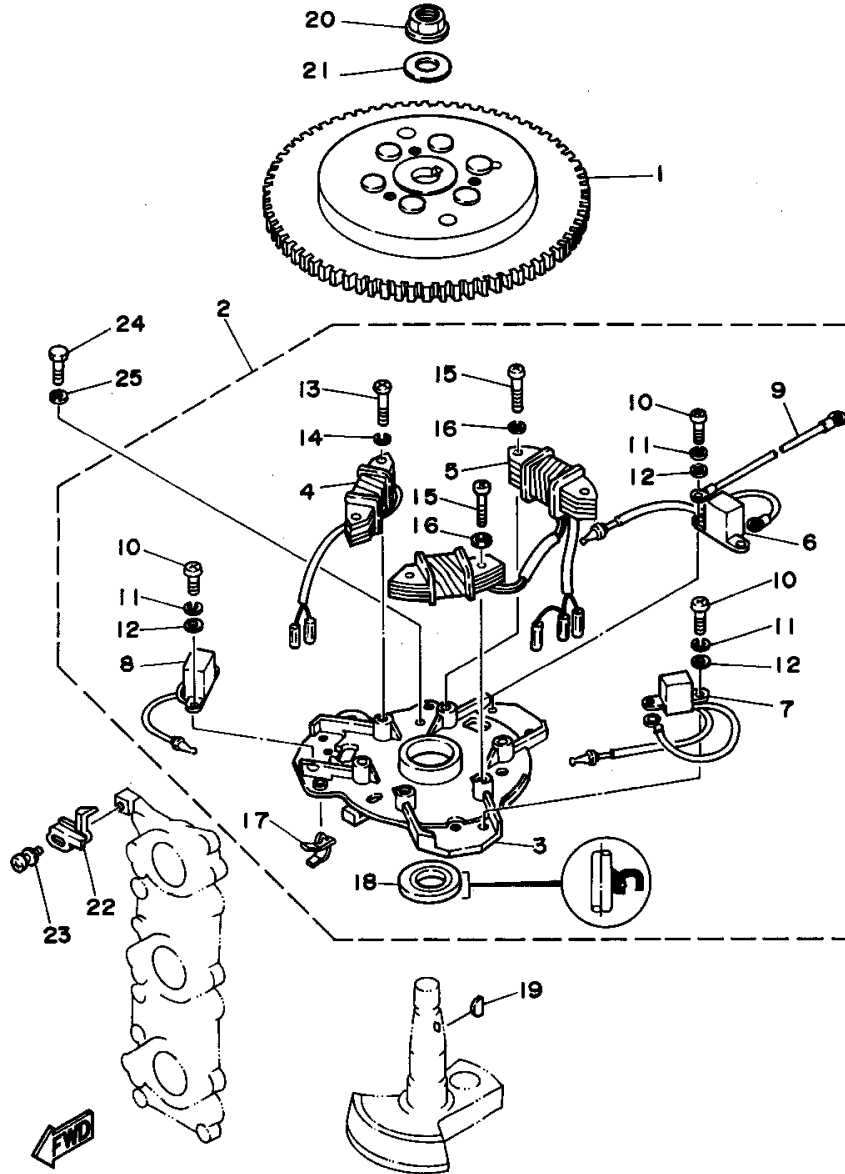
40MLHS 1994 / LOWER CASING DRIVE 2

PART NUMBER		NOTE TEXT
92990-10600-00		OEM: This part number is among the Top 100 Most Popular Marine Maintenance Parts as of March 2014.

©2014 Yamaha Motor Corporation, U.S.A. All rights reserved.



40MLHS 1994 / MAGNETO



©2014 Yamaha Motor Corporation, U.S.A. All rights reserved.


## Part List

40MLHS 1994 / MAGNETO

REF - NO	PART NUMBER	PART NAME	QUANTITY	REMARKS
1	6H5-85550-10-00	ROTOR ASSEMBLY	1	UR 40MH
1	6H5-85550-00-00	ROTOR ASSEMBLY	1	UR 40ER/ 40PR/40TR
2	6H5-85560-02-00	BASE ASSEMBLY	1	
3	6H4-15359-04-94	.HOUSING, OIL SEAL	1	
4	6H5-85520-00-00	.COIL, CHARGE	1	
5	6H5-85533-01-00	.COIL, LIGHTING	1	
6	6H5-85580-00-00	.COIL, PULSER	1	
7	6H5-85580-10-00	.COIL, PULSER	1	
8	6H5-85580-20-00	.COIL, PULSER	1	
9	(6H4-83354-00-00)	WIRE, EARTH LEAD 1	1	
10	98580-05012-00	.SCREW, PAN HEAD	6	
11	92990-05100-00	.WASHER, SPRING	6	
12	92901-05600-00	.WASHER	6	
13	98511-06025-00	.SCREW PAN HEAD	2	
14	92995-06100-00	.WASHER, SPRING	2	
15	98580-06030-00	.SCREW, PAN HEAD	4	
16	92995-06100-00	.WASHER, SPRING	4	
17	90464-03M15-00	.CLAMP	2	
18	93102-23096-00	.OIL SEAL	1	
19	6H4-11545-00-00	KEY, WOODRUFF	1	
20	90179-16M05-00	NUT	1	
21	90201-16M44-00	WASHER, PLATE	1	
22	6H4-81332-00-00	PLATE, TIMING	1	
23	97985-05210-00	SCREW, WITH WASHER	1	
24	97313-06018-00	BOLT	3	
25	92990-06600-00	WASHER, PLATE	3	

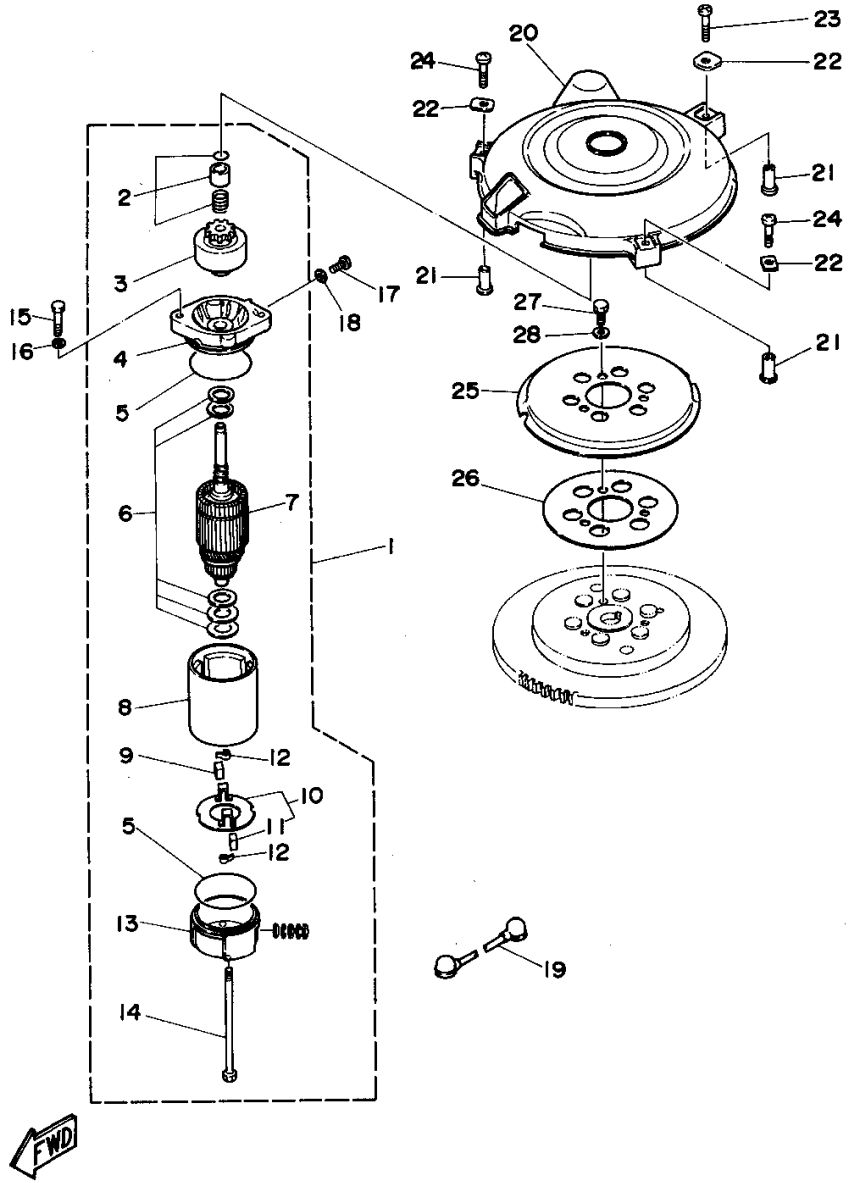
## Part Notes

40MLHS 1994 / MAGNETO

PART NUMBER	NOTE TEXT
92990-06600-00 	OEM: This part number is among the Top 100 Most Popular Marine Maintenance Parts as of March 2014.

©2014 Yamaha Motor Corporation, U.S.A. All rights reserved.

40MLHS 1994 / STARTING MOTOR (40ER 40PR 40TR)



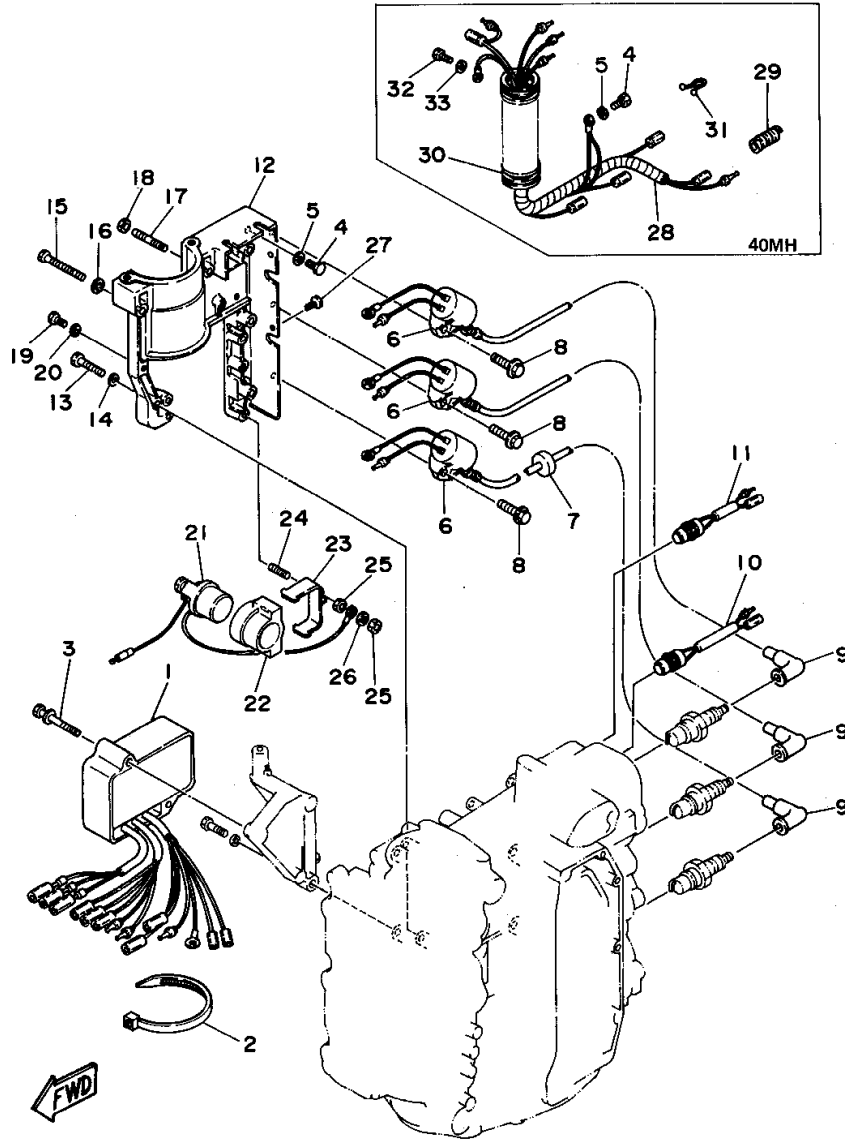
©2014 Yamaha Motor Corporation, U.S.A. All rights reserved.

## Part List

40MLHS 1994 / STARTING MOTOR (40ER 40PR 40TR)

REF - NO	PART NUMBER	PART NAME	QUANTITY	REMARKS
1	6F5-81800-11-00	STARTING MOTOR ASSY	1	
2	689-81857-11-00	.PINION STOPPER SET	1	
3	689-81807-12-00	.GEAR ASSY, STARTING MOTOR	1	
4	6F5-81830-11-00	.FRONT BRACKET ASSY	1	
5	689-81847-11-00	.O-RING	2	
6	689-81809-11-00	.WASHER KIT	1	
7	689-81850-12-00	.ARMATURE ASSY	1	
8	689-81810-11-00	.STATOR ASSY	1	
9	689-81811-11-00	.BRUSH 1	1	
10	689-81840-11-00	.BRUSH HOLDER ASSY	1	
11	689-81812-11-00	..BRUSH 2	1	
12	689-81813-10-00	.SPRING, BRUSH	2	
13	689-81820-11-00	.REAR BRACKET ASSY	1	
14	689-81826-10-00	.BOLT	2	
15	97313-08030-00	BOLT	2	
16	92990-08600-00	..WASHER, PLATE	2	
17	97313-08016-00	BOLT, HEXAGON	1	
18	92990-08600-00	..WASHER, PLATE	1	
19	6H4-82117-00-00	WIRE, LEAD	1	
20	6H4-81337-01-00	COVER, FLYWHEEL	1	
21	90387-06M65-00	COLLAR	3	
22	90209-06M04-00	WASHER	3	
23	97895-06040-00	SCREW, PAN HEAD	1	
24	97895-06035-00	SCREW, PAN HEAD	2	
25	6J8-15723-E1-00	PULLEY, STARTER	1	
26	6J8-81365-00-00	GASKET, HOLE COVER	1	
27	97011-08016-00	BOLT	3	
28	92990-08600-00	..WASHER, PLATE	3	

40MLHS 1994 / ELECTRICAL 1



©2014 Yamaha Motor Corporation, U.S.A. All rights reserved.






## Part List

40MLHS 1994 / ELECTRICAL 1

REF - NO	PART NUMBER	PART NAME	QUANTITY	REMARKS
1	6H5-85540-02-00	C.D.I. UNIT ASSEMBLY	1	
2	90465-13M36-00	CLAMP	1	
3	90119-06M51-00	BOLT, WITH WASHER	2	
4	97395-06014-00	BOLT	1	
5	92990-06600-00	WASHER, PLATE	1	
6	6H5-85570-00-00	IGNITION COIL ASSY	3	
7	90480-25161-00	GROMMET	1	
8	97595-06520-00	BOLT, WITH WASHER	3	
9	663-82370-01-00	PLUG CAP ASSY	3	
10	689-82560-00-00	THERMO SWITCH ASSEMBLY	1	
11	6H4-82560-00-00	THERMO SWITCH ASSY	1	
12	6H4-81822-02-98	BRACKET, STARTING MOTOR	1	40ER/40PR/ 40TR
13	97095-06030-00	BOLT	4	40ER/40PR/ 40TR
14	92990-06600-00	WASHER, PLATE	4	40ER/40PR/ 40TR
15	97313-08050-00	BOLT, HEXAGON	1	40ER/40PR/ 40TR
16	92990-08600-00	..WASHER, PLATE	1	40ER/40PR/ 40TR
17	95670-06640-00	BOLT, STUD	1	40ER/40PR/ 40TR
18	90179-06M24-00	NUT	1	40ER/40PR/ 40TR
19	97395-06014-00	BOLT	2	40ER/40PR/ 40TR
20	92990-06600-00	WASHER, PLATE	2	40ER/40PR/ 40TR
21	6G1-81941-10-00	STARTER RELAY ASSY	1	40ER/40PR/ 40TR
22	6H4-81952-00-00	HOLDER, RELAY	1	40ER/40PR/ 40TR
23	6H4-81945-00-00	PLATE, SWITCH FITTING	1	40ER/40PR/ 40TR
24	90116-06M22-00	BOLT, STUD	1	40ER/40PR/ 40TR
25	95601-06200-00	NUT, U-FLANGE	2	40ER/40PR/ 40TR
26	92990-06600-00	WASHER, PLATE	1	40ER/40PR/ 40TR
27	90338-05M11-00	PLUG	2	40ER/40PR/ 40TR
28	6H4-82531-02-00	WIRE, LEAD	1	40MH
29	90446-10M02-00	HOSE	1	40MH
30	6G1-83557-00-00	TUBE	1	40MH
31	90464-05M16-00	CLAMP	1	40MH
32	97395-06014-00	BOLT	1	40MH
33	92990-06600-00	WASHER, PLATE	1	40MH

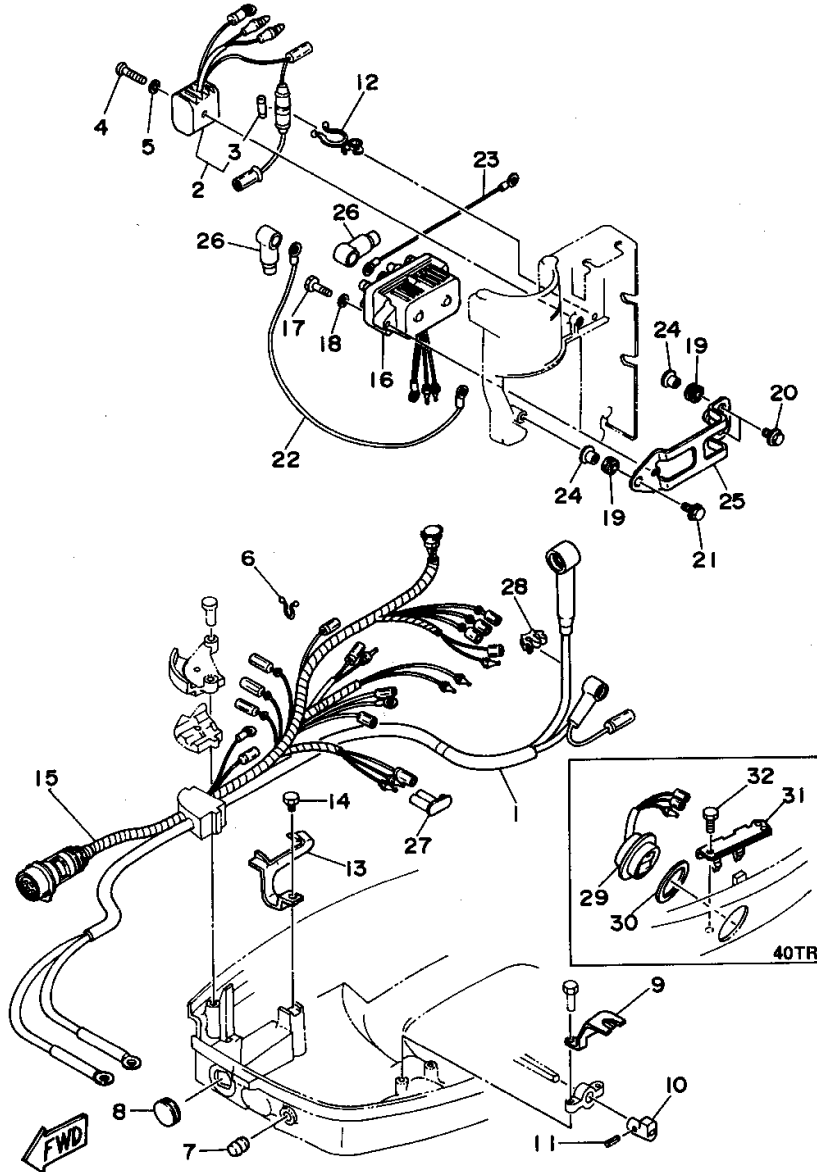
## Part Notes

40MLHS 1994 / ELECTRICAL 1

PART NUMBER		NOTE TEXT
92990-06600-00		OEM: This part number is among the Top 100 Most Popular Marine Maintenance Parts as of March 2014.
92990-06600-00		OEM: This part number is among the Top 100 Most Popular Marine Maintenance Parts as of March 2014.
92990-06600-00		OEM: This part number is among the Top 100 Most Popular Marine Maintenance Parts as of March 2014.
92990-06600-00		OEM: This part number is among the Top 100 Most Popular Marine Maintenance Parts as of March 2014.
92990-06600-00		OEM: This part number is among the Top 100 Most Popular Marine Maintenance Parts as of March 2014.

©2014 Yamaha Motor Corporation, U.S.A. All rights reserved.

40MLHS 1994 / ELECTRICAL 2 (40ER 40PR 40TR)



©2014 Yamaha Motor Corporation, U.S.A. All rights reserved.


## Part List

40MLHS 1994 / ELECTRICAL 2 (40ER 40PR 40TR)

REF - NO	PART NUMBER	PART NAME	QUANTITY	REMARKS
1	6H4-82105-01-00	BATTERY CABLE	1	
2	6G1-81970-61-00	RECTIFIER ASSY	1	
3	6G1-82151-00-00	.FUSE (10A)	1	
4	98580-05525-00	SCREW, PAN HEAD	1	
5	92990-05600-00	WASHER, PLATE	1	
6	90465-18147-00	CLAMP	1	
7	6H4-42725-00-00	GROMMET	1	
8	676-42726-00-00	GROMMET	1	
9	6H4-82554-00-00	STAY, NEUTRAL SWITCH	1	
10	6H4-44173-01-00	LEVER, SHIFT CONTROL	1	
11	91690-30020-00	PIN, SPRING	1	
12	90464-15M27-00	CLAMP	1	
13	6H4-82588-00-00	PLATE	1	
14	97013-06012-00	BOLT	1	
15	6H4-82590-11-00	WIRE HARNESS ASSEMBLY	1	UR 40ER
15	6H4-82590-22-00	WIRE HARNESS ASSEMBLY	1	UR 40PR/ 40TR
16	6H1-81950-00-00	RELAY ASSY	1	40PR/40TR
17	97395-06025-00	BOLT	2	40PR/40TR
18	92990-06600-00	WASHER, PLATE	2	40PR/40TR
19	90480-13M24-00	GROMMET	3	40PR/40TR
20	90105-06M15-00	BOLT, FLANGE	2	40PR/40TR
21	90105-06M16-00	BOLT, FLANGE	1	40PR/40TR
22	61A-81949-00-00	WIRE, LEAD	1	40PR/40TR
23	6H5-81949-00-00	WIRE, LEAD	1	40PR/40TR
24	90387-06M05-00	COLLAR	3	40PR/40TR
25	6H4-81945-20-00	PLATE, SWITCH FITTING	1	40PR/40TR
26	682-82119-01-00	COVER, LEAD WIRE	4	40PR/40TR
27	6E5-82582-00-00	COVER, WIRE HARNESS	1	40PR/40TR
28	90464-07M20-00	CLAMP	1	
29	6H1-82563-00-00	TRIM & TILT SWITCH ASSEMBLY	1	
30	6E5-82587-00-00	GASKET	1	40TR
31	6E5-83614-01-00	BRACKET	1	40TR
32	97395-06016-00	BOLT, HEX	2	40TR

## Part Notes

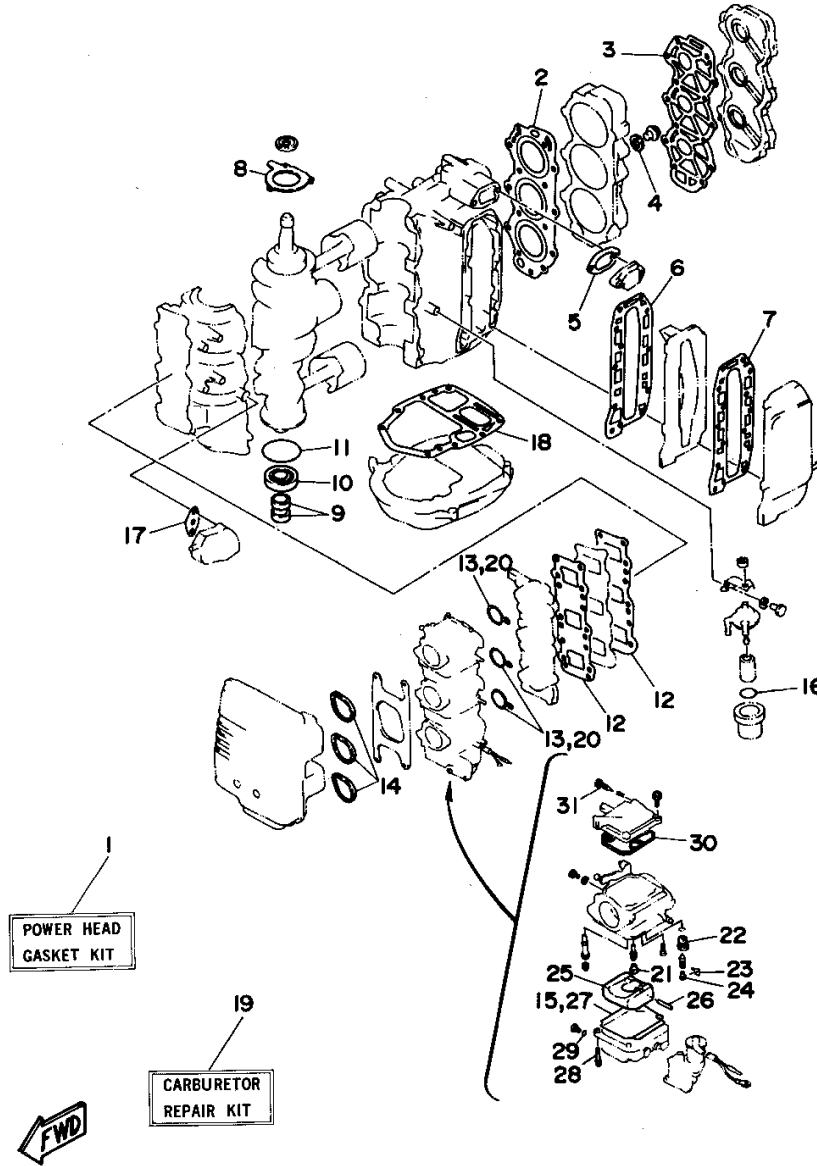
40MLHS 1994 / ELECTRICAL 2 (40ER 40PR 40TR)

PART NUMBER	NOTE TEXT
92990-06600-00 	OEM: This part number is among the Top 100 Most Popular Marine Maintenance Parts as of March 2014.

©2014 Yamaha Motor Corporation, U.S.A. All rights reserved.



40MLHS 1994 / REPAIR KIT 1



©2014 Yamaha Motor Corporation, U.S.A. All rights reserved.


## Part List

40MLHS 1994 / REPAIR KIT 1

REF - NO	PART NUMBER	PART NAME	QUANTITY	REMARKS
1	6H4-W0001-04-00	POWER HEAD GASKET KIT	1	
2	6H4-11181-A0-00	.GASKET, CYLINDER HEAD 1	1	
3	6H4-11193-A1-00	.GASKET, HEAD COVER 1	1	
4	90430-14115-00	.GASKET	1	
5	6J8-12414-A0-00	.GASKET, COVER	1	
6	6H4-41112-A0-00	.GASKET, EXHAUST INNER COVER	1	
7	6H4-41114-A0-00	.GASKET, EXHAUST COVER	1	
8	6H4-15369-A1-00	.GASKET, OIL SEAL HOUSING	1	
9	93101-16M36-00	.OIL SEAL	2	
10	93102-25M28-00	.OIL SEAL	1	
11	93210-57M09-00	.O-RING	1	
12	6H4-13621-A1-00	.GASKET, VALVE SEAT	2	
13	6H4-14198-01-00	.GASKET	3	
14	6H3-14457-01-00	.SEAL	3	
15	6H4-14984-00-00	.GASKET, FLOAT CHAMBER	3	
16	93210-32738-00	.O-RING	1	
17	650-24431-A0-00	.GASKET, FUEL PUMP 1	1	
18	6H4-45113-A0-00	.GASKET, UPPER CASING	1	
19	6H4-W0093-03-00	CARBURETOR REPAIR KIT	1	
20	6H4-14198-01-00	.GASKET	3	
21	676-14966-00-00	.CAP	3	
22	6H4-14590-00-00	.NEEDLE VALVE ASSY	3	
23	663-14159-00-00	.CLIP	3	
24	676-14186-00-00	.PIN, FLOAT	3	
25	6H4-14985-01-00	.FLOAT	3	
26	6H4-14548-00-00	.PIN, FLOAT ARM	3	
27	6H4-14984-00-00	.GASKET, FLOAT CHAMBER	3	
28	97980-04114-00	.SCREW, WITH WASHER	3	
29	93210-04230-00	.O-RING	3	
30	6H4-14147-00-00	.O-RING	3	
31	692-14923-00-00	.SCREW, PILOT	3	

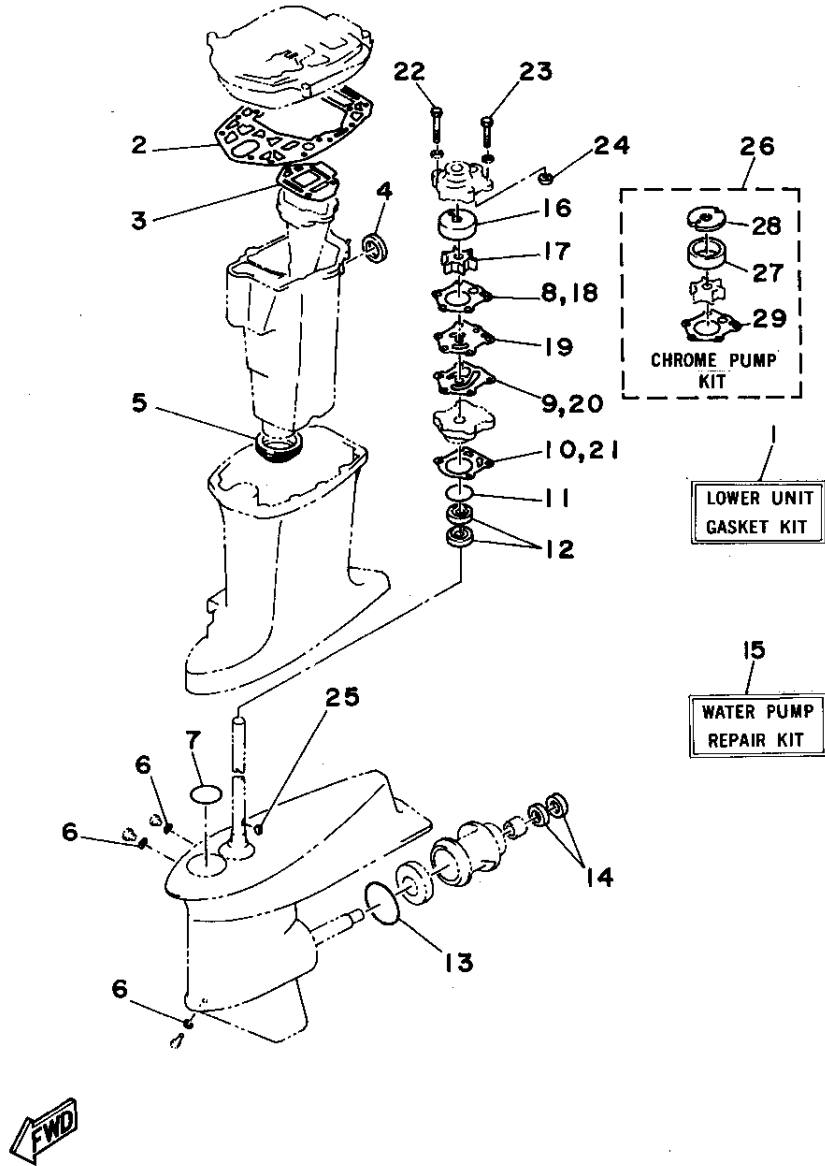
## Part Notes

40MLHS 1994 / REPAIR KIT 1

PART NUMBER	NOTE TEXT
650-24431-A0-00 	OEM: This part number is among the Top 100 Most Popular Marine Maintenance Parts as of March 2014.

©2014 Yamaha Motor Corporation, U.S.A. All rights reserved.

40MLHS 1994 / REPAIR KIT 2



©2014 Yamaha Motor Corporation, U.S.A. All rights reserved.



## Part List

40MLHS 1994 / REPAIR KIT 2

REF - NO	PART NUMBER	PART NAME	QUANTITY	REMARKS
1	6H4-W0001-21-00	LOWER UNIT GASKET KIT	1	
2	6H4-45114-A1-00	.GASKET, UPPER CASING	1	
3	6H4-41134-A0-00	.GASKET, EXHAUST MANIFOLD	1	
4	6H4-41133-00-00	.GASKET, EXHAUST MANIFOLD 1	1	
5	663-45123-00-00	.GASKET, MUFFLER	1	
6	90430-08020-00	.GASKET	3	
7	93210-49046-00	.O-RING	1	
8	663-44315-A0-00	.GASKET, WATER PUMP	1	
9	663-44324-A0-00	.GASKET, CARTRIDGE	1	
10	663-44316-A0-00	.GASKET, WATER PUMP	1	
11	93210-41042-00	.O-RING	1	
12	93101-23070-00	.OIL SEAL	2	
13	93210-66M98-00	.O-RING	1	
14	93101-22067-00	.OIL SEAL	2	
15	6H4-W0078-01-00	WATER PUMP REPAIR KIT	1	
16	663-44322-00-00	.INSERT, CARTRIDGE	1	
17	6H4-44352-02-00	.IMPELLER	1	
18	663-44315-A0-00	.GASKET, WATER PUMP	1	
19	663-44323-00-00	.OUTER PLATE, CARTRIDGE	1	
20	663-44324-A0-00	.GASKET, CARTRIDGE	1	
21	663-44316-A0-00	.GASKET, WATER PUMP	1	
22	97395-08055-00	.BOLT	2	
23	97395-08045-00	.BOLT	2	
24	663-44366-00-00	.DAMPER, WATER SEAL 2	1	
25	90280-03024-00	.KEY, WOODRUFF	1	
26	6H4-W0078-0A-00	CHROME PUMP KIT	1	
27	670-44322-01-00	.INSERT, CARTRIDGE	1	
28	670-44321-00-00	.INNER PLATE, CARTRIDGE	1	
29	670-44323-00-00	.OUTER PLATE, CARTRIDGE	1	

## Part Notes

40MLHS 1994 / REPAIR KIT 2

PART NUMBER	NOTE TEXT
90430-08020-00 	OEM: This part number is among the Top 100 Most Popular Marine Maintenance Parts as of March 2014.
6H4-44352-02-00 	OEM: This part number is among the Top 100 Most Popular Marine Maintenance Parts as of March 2014.

©2014 Yamaha Motor Corporation, U.S.A. All rights reserved.

©2014 Yamaha Motor Corporation, U.S.A. All rights reserved.