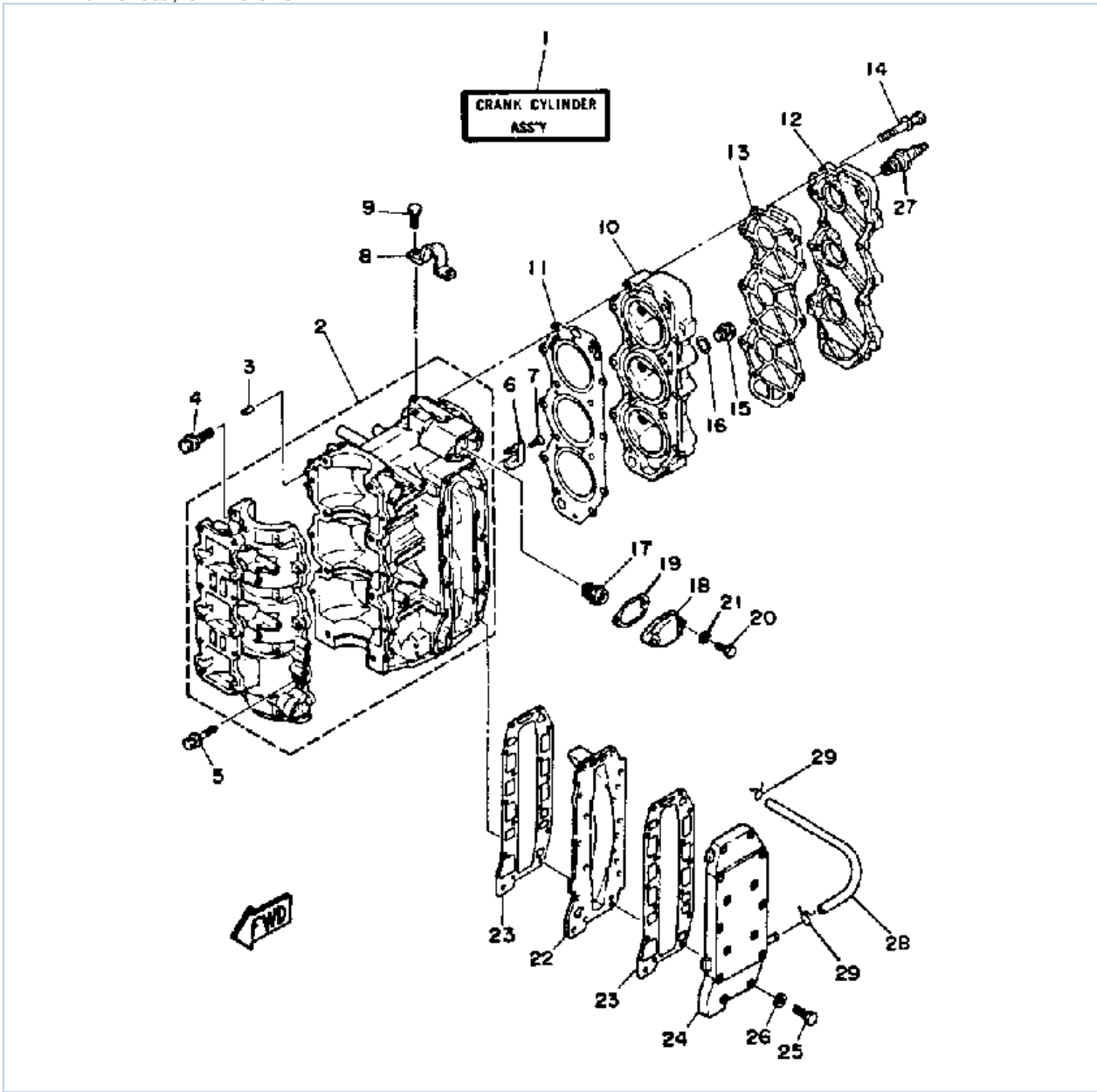


40ETLJ 1986 / CRANKCASE CYLINDER



©2014 Yamaha Motor Corporation, U.S.A. All rights reserved.




## Part List

40ETLJ 1986 / CRANKCASE CYLINDER

REF - NO	PART NUMBER	PART NAME	QUANTITY	REMARKS
1	6H4-W0090-03-EK	CRANK-CYLINDER ASSEMBLY	1	MANUAL
2	6H4-15100-02-94	CRANKCASE ASSEMBLY	1	MANUAL
3	93606-12019-00	.PIN, DOWEL	2	
4	90119-08M19-00	BOLT, WITH WASHER	8	
5	90119-06M13-00	BOLT, WITH WASHER	6	
6	688-11325-00-00	ANODE	2	
7	98680-04016-00	SCREW OVAL HEAD	2	
8	6H4-11119-00-00	HANGER, ENGINE	1	
9	97313-06014-00	BOLT, HEXAGON	2	
10	6H4-11111-01-94	HEAD, CYLINDER 1	1	
11	6H4-11181-A0-00	GASKET, CYLINDER HEAD 1	1	
12	6H4-11191-01-9M	COVER, CYLINDER HEAD 1	1	
13	6H4-11193-00-00	GASKET, HEAD COVER 1	1	
14	90119-08M29-00	BOLT, WITH WASHER	14	
15	90340-14M00-00	.PLUG, STRAIGHT SCREW	1	
16	90430-14115-00	.GASKET	1	
17	6E5-12411-20-00	THERMOSTAT	1	
18	6H4-12413-00-9M	COVER, THERMOSTAT	1	
19	6J8-12414-A0-00	GASKET, COVER	1	
20	97313-06025-00	BOLT	2	
21	92990-06600-00	WASHER, PLATE	2	
22	6H4-41111-00-9M	INNER COVER, EXHAUST	1	
23	6H4-41114-A0-00	GASKET, EXHAUST COVER	2	
24	6H4-41113-00-9M	OUTER COVER, EXHAUST	1	
25	97395-06035-00	BOLT, HEXAGON	14	
26	92990-06600-00	WASHER, PLATE	14	
27	NGK-B7HS1-00-00	PLUG, SPARK (NGK B7HS-10)	3	
28	90445-09M37-00	HOSE (L240)	1	
29	90467-08004-00	CLIP	2	

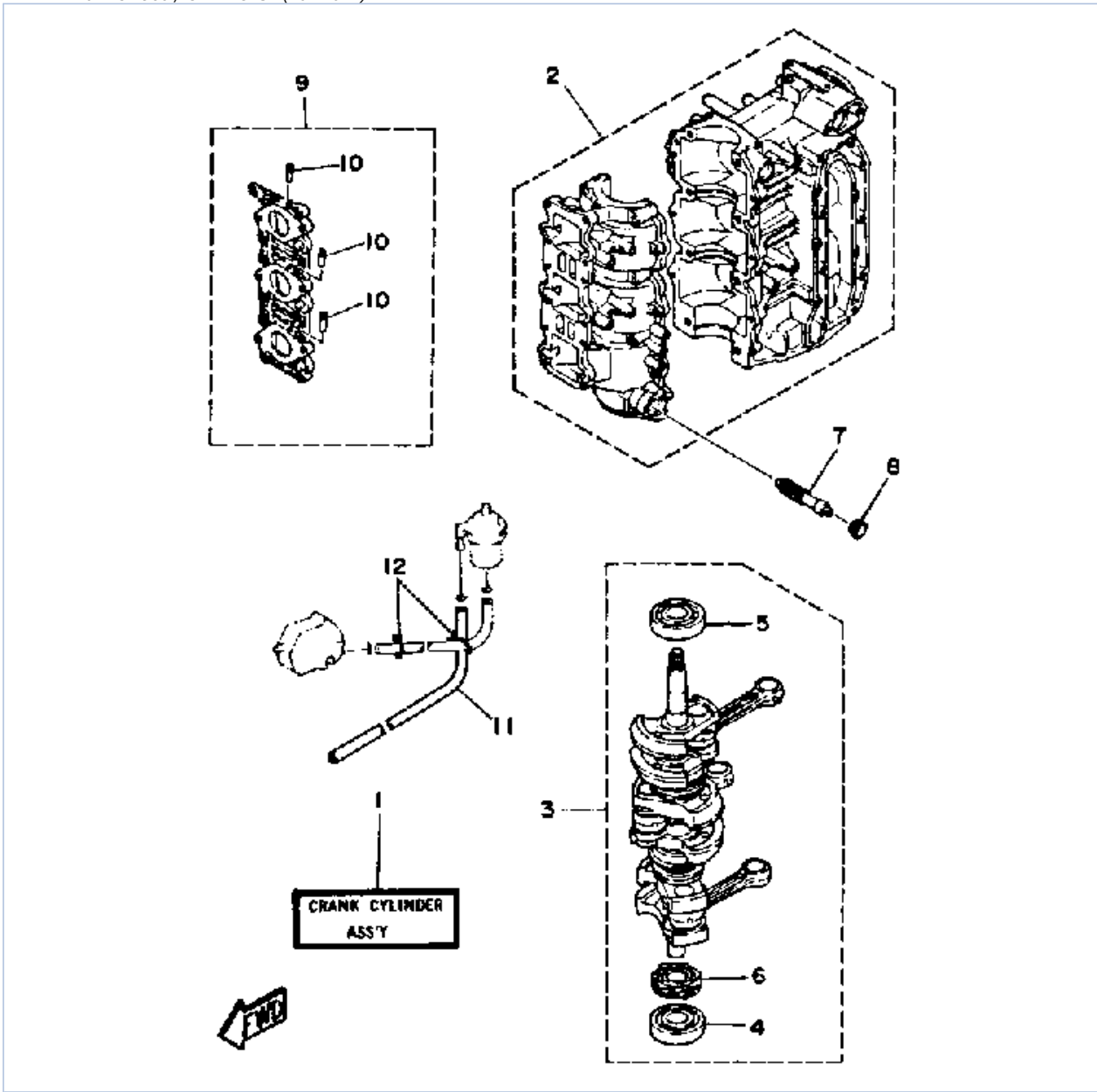
## Part Notes

40ETLJ 1986 / CRANKCASE CYLINDER

PART NUMBER		NOTE TEXT
6H4-W0090-03-EK		OEM: This crank-cylinder assembly fits Non-Oil-Injected models.
92990-06600-00		OEM: This part number is among the Top 100 Most Popular Marine Maintenance Parts as of March 2014.
92990-06600-00		OEM: This part number is among the Top 100 Most Popular Marine Maintenance Parts as of March 2014.

©2014 Yamaha Motor Corporation, U.S.A. All rights reserved.

40ETLJ 1986 / CRANKCASE (40E 40ET)



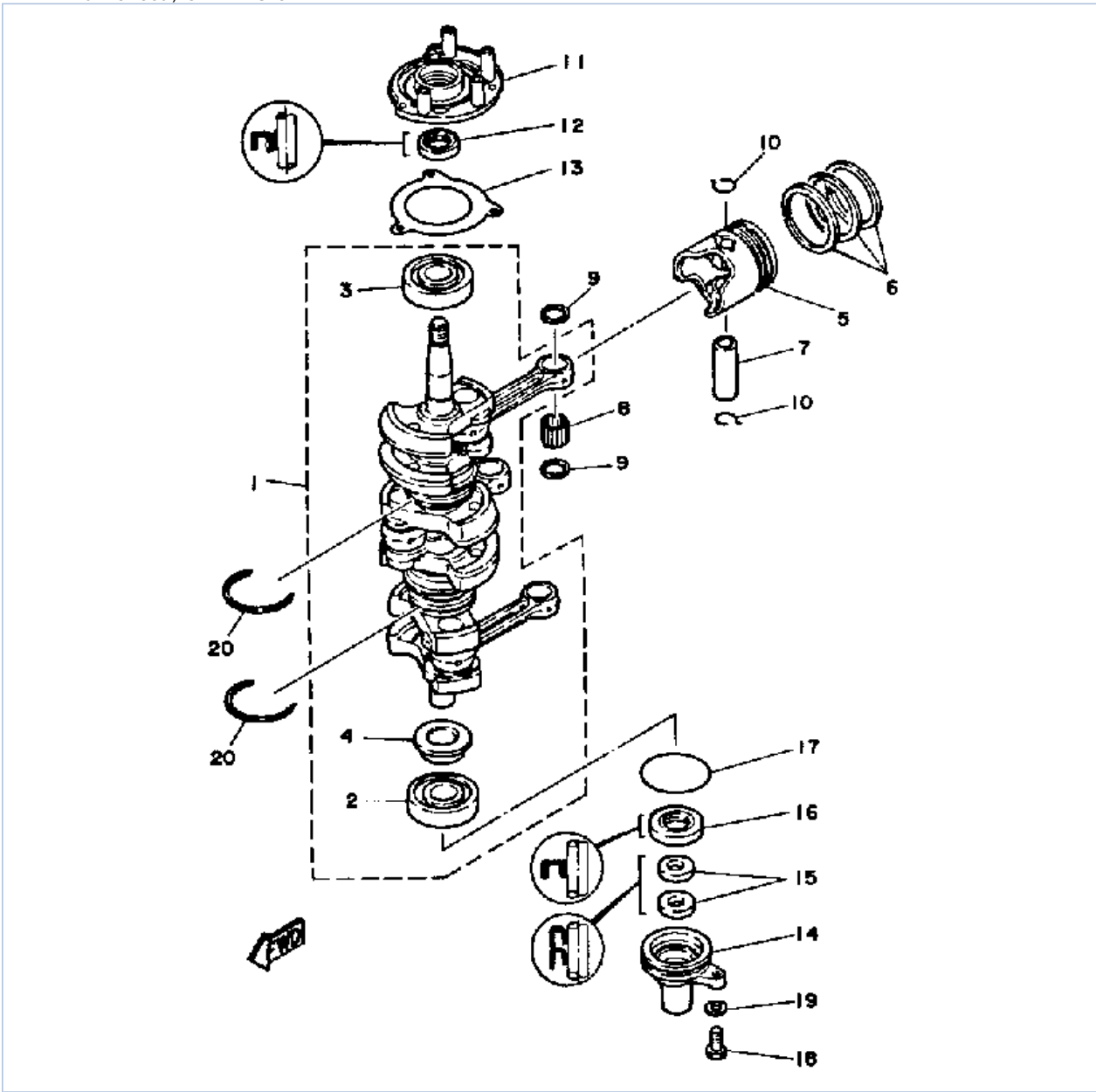
©2014 Yamaha Motor Corporation, U.S.A. All rights reserved.

## Part List

40ETLJ 1986 / CRANKCASE (40E 40ET)

REF - NO	PART NUMBER	PART NAME	QUANTITY	REMARKS
1	6H4-W0090-13-EK	CRANK-CYLINDER. ASSEMBLY. (REF.# 2~28 & GRID A-4, REF. #)	1	
2	6H4-15100-19-94	CRANKCASE ASSEMBLY	1	
3	6H4-11400-14-00	CRANKSHAFT ASSY	1	
4	93306-30564-00	BEARING	1	
5	93306-305U8-00	.BEARING	1	
6	6H4-11536-00-00	.GEAR, DRIVE	1	
7	6H4-11537-01-00	GEAR, DRIVEN	1	
8	6H1-13117-01-00	COLLAR, DISTANCE	1	
9	6H4-13641-11-94	MANIFOLD 1	1	
10	6H1-14485-00-00	.PIPE, JOINT	3	
11	6H4-24311-00-00	PIPE, FUEL 1	1	
12	90464-16039-00	CLAMP	2	

40ETLJ 1986 / CRANK PISTON



©2014 Yamaha Motor Corporation, U.S.A. All rights reserved.



## Part List

40ETLJ 1986 / CRANK PISTON

REF - NO	PART NUMBER	PART NAME	QUANTITY	REMARKS
1	6H4-11400-04-00	CRANKSHAFT ASSY	1	
2	93306-30564-00	BEARING	1	
3	93306-305U8-00	.BEARING	1	
4	6H4-11445-00-00	.SPACER	1	
5	6H4-11636-09-00	PISTON 2 O/S (2ND O.S.)	2	
5	6H4-11631-09-96	PISTON STD. (S.T.D)	3	
6	6H4-11610-20-00	PISTON RINGSET 2ND (2ND O.S.)	3	
6	6H4-11610-00-00	PISTON RINGSET STD (S.T.D.)	3	
7	648-11633-00-00	PIN, PISTON	3	
8	93602-20M02-00	PIN, DOWEL	93	
9	6H4-11641-00-00	WASHER, PISTON PIN	6	
10	6H4-11634-01-00	CLIP, PISTON PIN	6	
11	6H4-15359-02-00	HOUSING, OIL SEAL	1	
12	93102-23096-00	OIL SEAL	1	
13	6H4-15369-A1-00	GASKET, OIL SEAL HOUSING	1	
14	6H4-15396-02-5B	HOUSING, OIL SEAL	1	
15	93101-16M36-00	OIL SEAL	2	
16	93102-25M28-00	OIL SEAL	1	
17	93210-57M09-00	.O-RING	1	
18	97313-06020-00	BOLT, HEXAGON	1	
19	92990-06600-00	WASHER, PLATE	1	
20	93440-62057-00	CIRCLIP, OUTER	2	

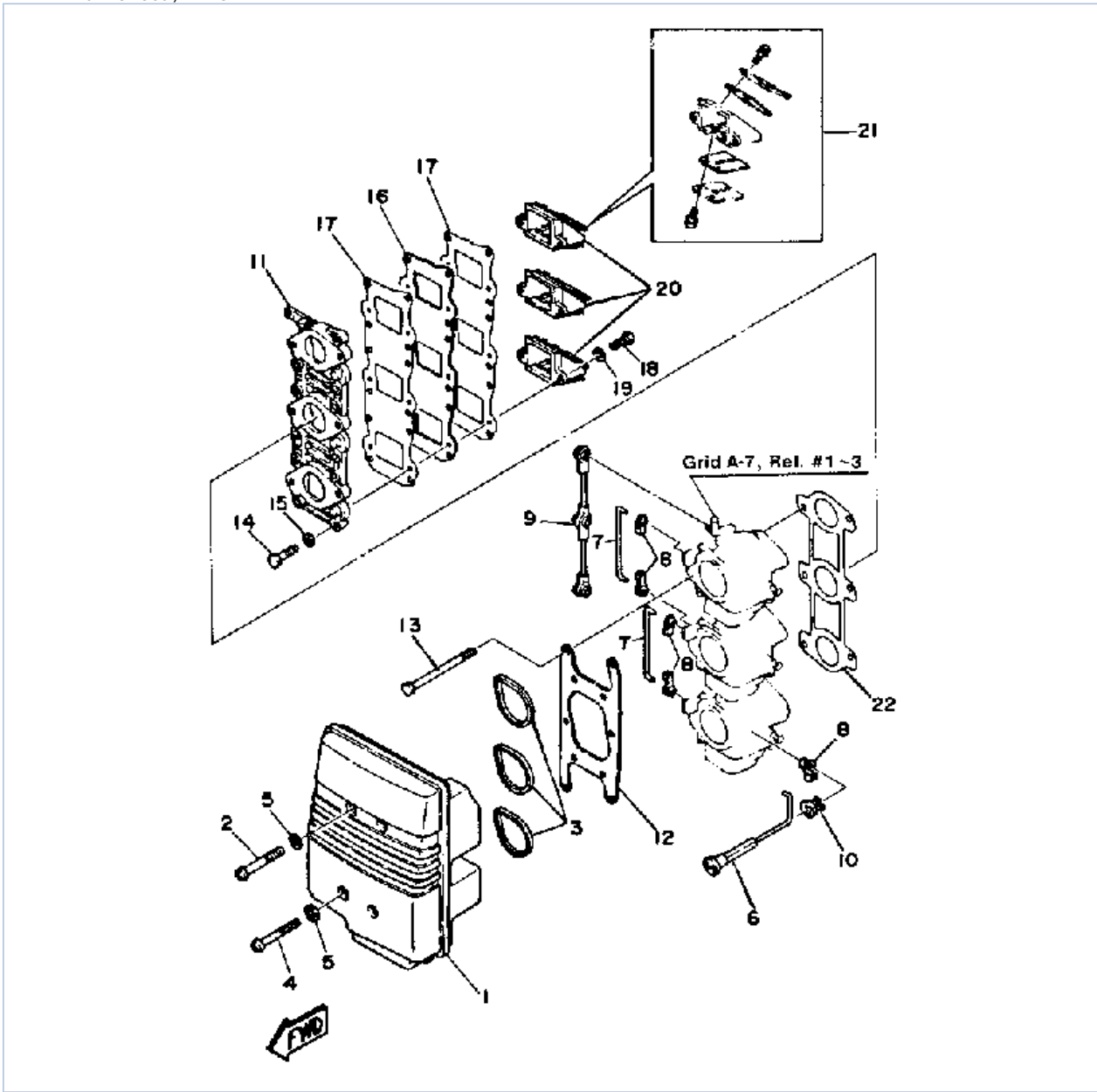
## Part Notes

40ETLJ 1986 / CRANK PISTON

PART NUMBER	NOTE TEXT
93602-20M02-00 	OEM: This part number is among the Top 100 Most Popular Marine Maintenance Parts as of March 2014.
92990-06600-00 	OEM: This part number is among the Top 100 Most Popular Marine Maintenance Parts as of March 2014.

©2014 Yamaha Motor Corporation, U.S.A. All rights reserved.

40ETLJ 1986 / AIR CLEANER



©2014 Yamaha Motor Corporation, U.S.A. All rights reserved.


## Part List

40ETLJ 1986 / AIR CLEANER

REF - NO	PART NUMBER	PART NAME	QUANTITY	REMARKS
1	6H4-14431-01-00	SILENCER, INTAKE 1	1	
2	98580-06040-00	SCREW, PAN HEAD	2	
3	6H3-14457-01-00	SEAL	3	
4	98580-06055-00	SCREW, PANHEAD	2	
5	90209-06M09-00	WASHER	4	
6	6H4-41271-00-00	KNOB, CHOKE	1	
7	6H4-41257-00-00	ROD, CHOKE 2	2	
8	661-41262-02-00	JOINT, CHOKE LEVER	5	
9	6H4-41217-01-00	ROD, ACCEL. LEVER	1	
10	689-41273-00-00	GROMMET	1	
11	(6H4-13641-01-94)	MANIFOLD 1	1	
12	6H4-14406-00-00	HINGE	1	
13	97313-06095-00	BOLT, HEXAGON	6	
14	97313-06025-00	BOLT	12	
15	92990-06600-00	WASHER, PLATE	12	
16	6H4-13624-01-94	PLATE, REED VALVE	1	
17	6H4-13621-A1-00	GASKET, VALVE SEAT	2	
18	98580-05016-00	SCREW, PAN HEAD	6	
19	92990-05600-00	WASHER, PLATE	6	
20	6H4-13610-00-00	REED VALVE ASSEMBLY	3	
21	6H4-W0004-00-00	.REED SET	1	
22	6H4-14198-00-00	GASKET	1	

## Part Notes

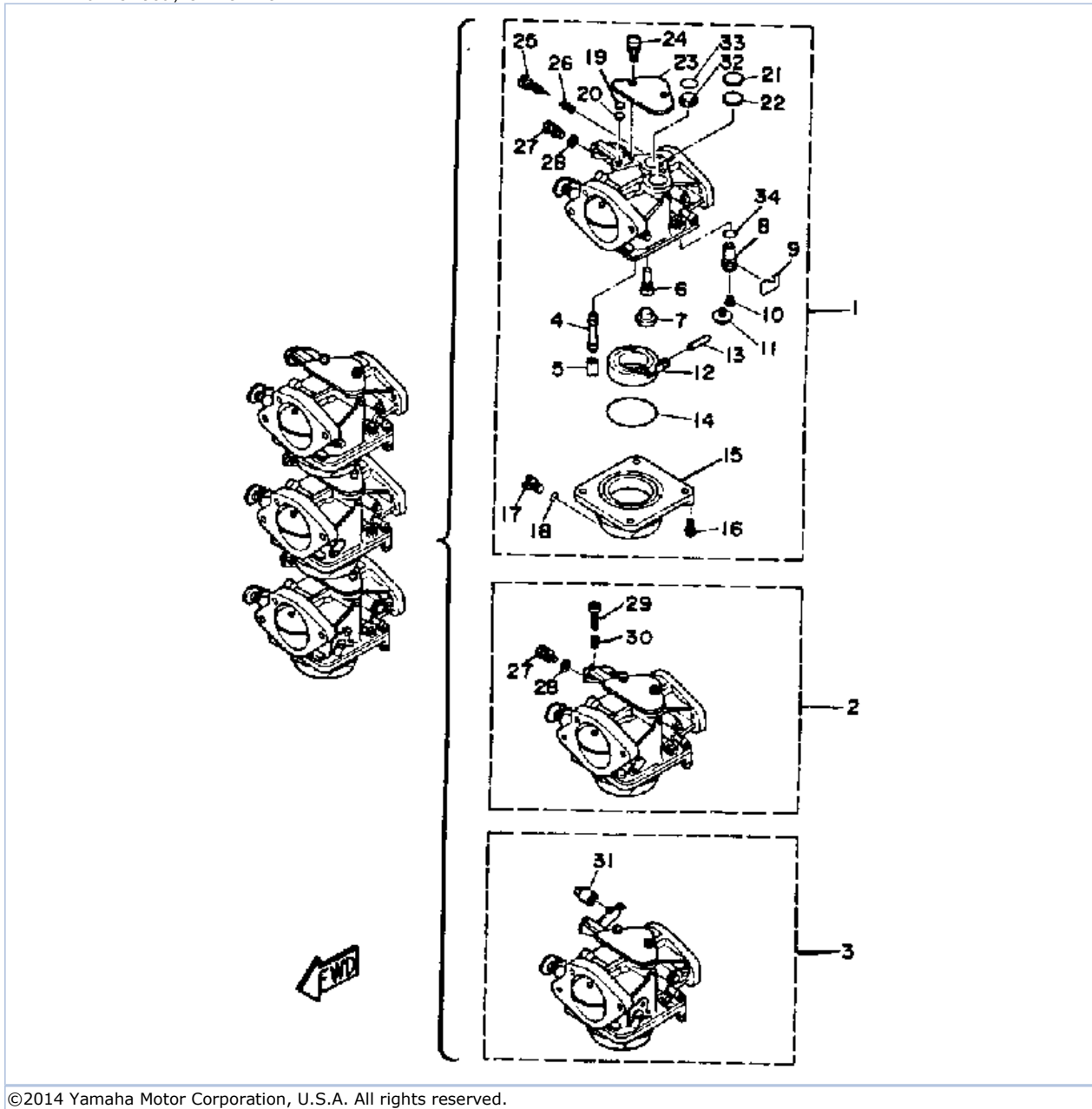
40ETLJ 1986 / AIR CLEANER

PART NUMBER	NOTE TEXT
92990-06600-00 	OEM: This part number is among the Top 100 Most Popular Marine Maintenance Parts as of March 2014.

©2014 Yamaha Motor Corporation, U.S.A. All rights reserved.



40ETLJ 1986 / CARBURETOR



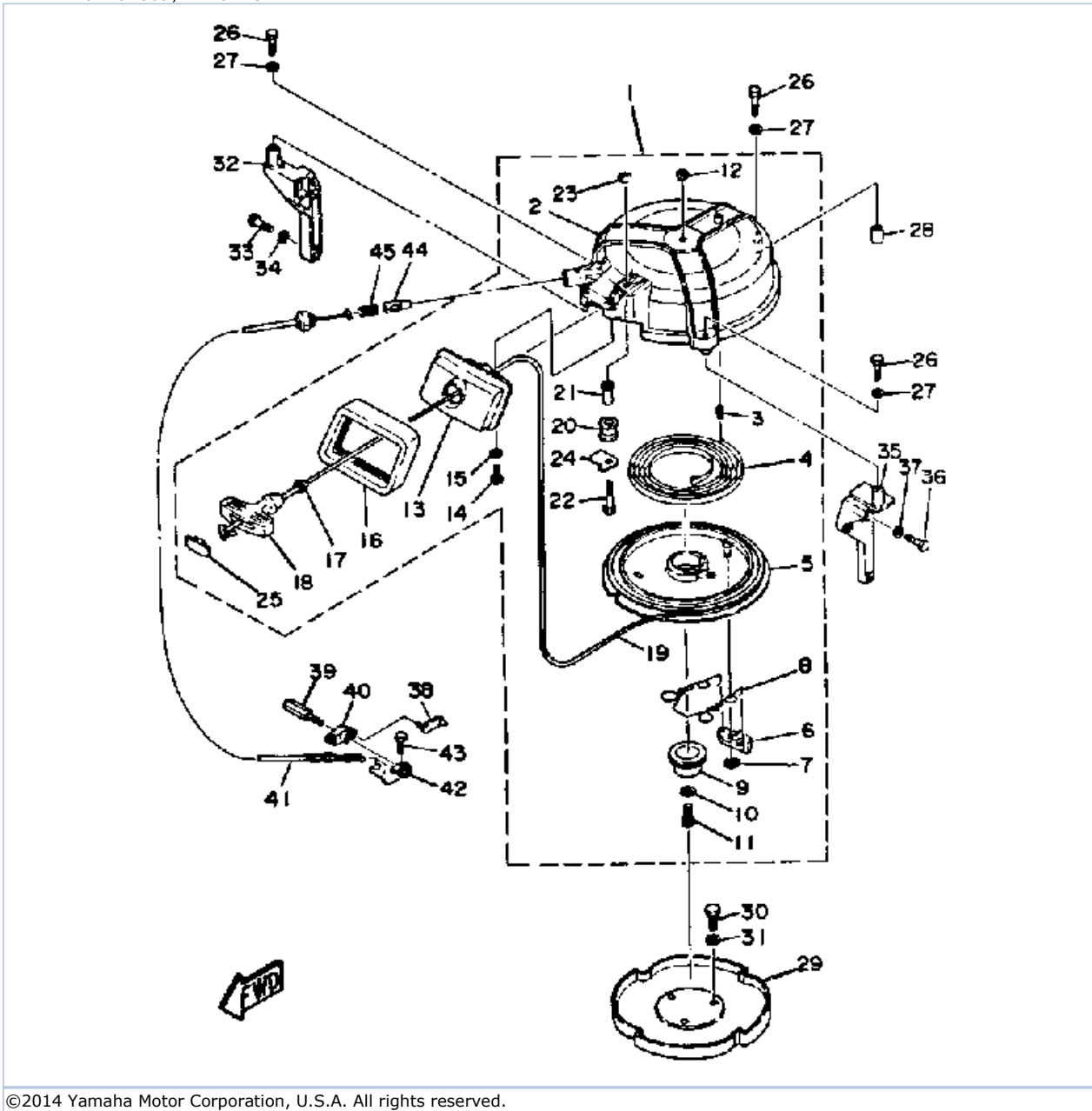
©2014 Yamaha Motor Corporation, U.S.A. All rights reserved.

## Part List

40ETLJ 1986 / CARBURETOR

REF - NO	PART NUMBER	PART NAME	QUANTITY	REMARKS
1	6H4-14301-06-00	CARBURETOR ASSEMBLY 1 (UPPER)	1	
2	6H4-14302-06-00	CARBURETOR ASSEMBLY 2 (CENTER)	1	
3	6H4-14303-06-00	CARBURETOR (LOWER) (LOWER)	1	
4	(6H4-14947-02-00)	NOZZLE, MAIN	3	
5	676-14943-33-00	.JET, MAIN (#130)	1	U.R.
5	676-14943-43-00	UNAVAILABLE IN PRICE BOOK	2	U.R.
6	6H4-14948-15-00	JET, SLOW (70)	3	
7	676-14966-00-00	CAP	3	
8	6H3-14590-00-00	NEEDLE VALVE ASSEMBLY	3	
9	663-14159-00-00	.CLIP	3	
10	676-14186-00-00	PIN, FLOAT	3	
11	98580-04008-00	.SCREW, PAN HEAD	3	
12	6G1-14985-00-00	FLOAT	3	
13	688-14548-00-00	PIN, FLOAT ARM	3	
14	6G1-14984-00-00	O-RING	3	
15	6H2-14980-00-00	BODY, FLOAT CHAMBER	3	
16	97980-04114-00	.SCREW, WITH WASHER	12	
17	6H3-14992-00-00	.SCREW, DRAIN	3	
18	93210-04230-00	O-RING	3	
19	663-14126-00-00	GASKET	3	
20	663-14527-00-00	PLATE	3	
21	688-14126-00-00	GASKET	3	
22	688-14527-00-00	PLATE	3	
23	6H2-14527-00-00	PLATE	3	
24	90159-05017-00	SCREW, WITH WASHER	6	
25	692-14923-00-00	SCREW, PILOT	3	
26	679-14555-00-00	.SPRING	3	
27	663-14592-00-00	SCREW	2	
28	90201-05652-00	.WASHER, PLATE	2	
29	663-14523-00-00	SCREW, STOP	1	
30	90501-10326-00	.SPRING, COMPRESSION	1	
31	676-14578-00-00	COLLAR (LOWER)	1	
32	6H3-14578-00-00	PLATE	3	
33	93210-15M52-00	O-RING	3	
34	93210-04228-00	O-RING	3	

40ETLJ 1986 / MANUAL STARTER



©2014 Yamaha Motor Corporation, U.S.A. All rights reserved.



## Part List

40ETLJ 1986 / MANUAL STARTER

REF - NO	PART NUMBER	PART NAME	QUANTITY	REMARKS
1	6H4-15710-02-94	STARTER ASSEMBLY	1	
2	6H4-15711-02-94	.CASE, STARTER	1	
3	91690-40018-00	.PIN, SPRING	1	
4	90510-08002-00	.SPRING, SPIRAL	1	
5	6H4-15714-00-00	.DRUM, SHEAVE	1	
6	676-15741-03-00	.PAWL, DRIVE	1	
7	93430-06M02-00	.CIRCLIP	1	
8	6H4-15705-00-00	.SPRING, DRIVE PAWL	1	
9	6H4-15717-00-00	SHAFT, STARTER	1	
10	90201-065F3-00	WASHER, PLATE	1	
11	97313-06020-00	BOLT, HEXAGON	1	
12	95380-06600-00	NUT, HEXAGON	1	
13	6H4-15758-00-94	GUIDE, ROPE	1	
14	97313-06016-00	BOLT, HEXAGON	2	
15	92990-06600-00	WASHER, PLATE	2	
16	6H4-15762-00-00	.SEAL, RUBBER 2	1	
17	6A0-15789-00-00	.DAMPER	1	
18	619-15755-01-00	HANDLE, STARTER	1	
19	90580-50M01-00	ROPE, STARTER	1	SEE NOTE
20	6H4-15752-00-00	ROLLER, WIRE	1	
21	90387-06M66-00	COLLAR	1	
22	97013-06035-00	BOLT	1	
23	95380-06600-00	NUT, HEXAGON	1	
24	6H4-15787-00-00	ADAPTOR	1	
25	689-15779-01-00	COVER	1	
26	97013-06035-00	BOLT	3	
27	92990-06600-00	WASHER, PLATE	3	
28	99530-10014-00	PIN, DOWEL	1	
29	6H4-15723-00-94	PULLEY, STARTER	1	
30	97313-08016-00	BOLT, HEXAGON	3	
31	92990-08600-00	..WASHER, PLATE	3	
32	6H4-15771-00-94	STAY 1	1	
33	97313-08030-00	BOLT	2	
34	92990-08600-00	..WASHER, PLATE	2	
35	6H4-15772-02-94	STAY 2	1	
36	97313-06025-00	BOLT	3	
37	92990-06600-00	WASHER, PLATE	3	
38	6H4-15747-00-00	LINK	1	
39	90109-06M04-00	BOLT	1	
40	682-15746-00-00	ARM	1	
41	6H4-15770-00-00	CABLE CMPL, STR STP	1	
42	6H4-15774-00-00	STAY 4	1	
43	97013-06012-00	BOLT	1	
44	656-15748-00-00	PLUNGER, STARTER STOP	1	
45	90501-10227-00	SPRING, COMPRESSION	1	

## Part Notes

40ETLJ 1986 / MANUAL STARTER

PART NUMBER	NOTE TEXT
92990-06600-00 	OEM: This part number is among the Top 100 Most Popular Marine Maintenance Parts as of March 2014.
92990-06600-00 	OEM: This part number is among the Top 100 Most Popular Marine Maintenance Parts as of March 2014.

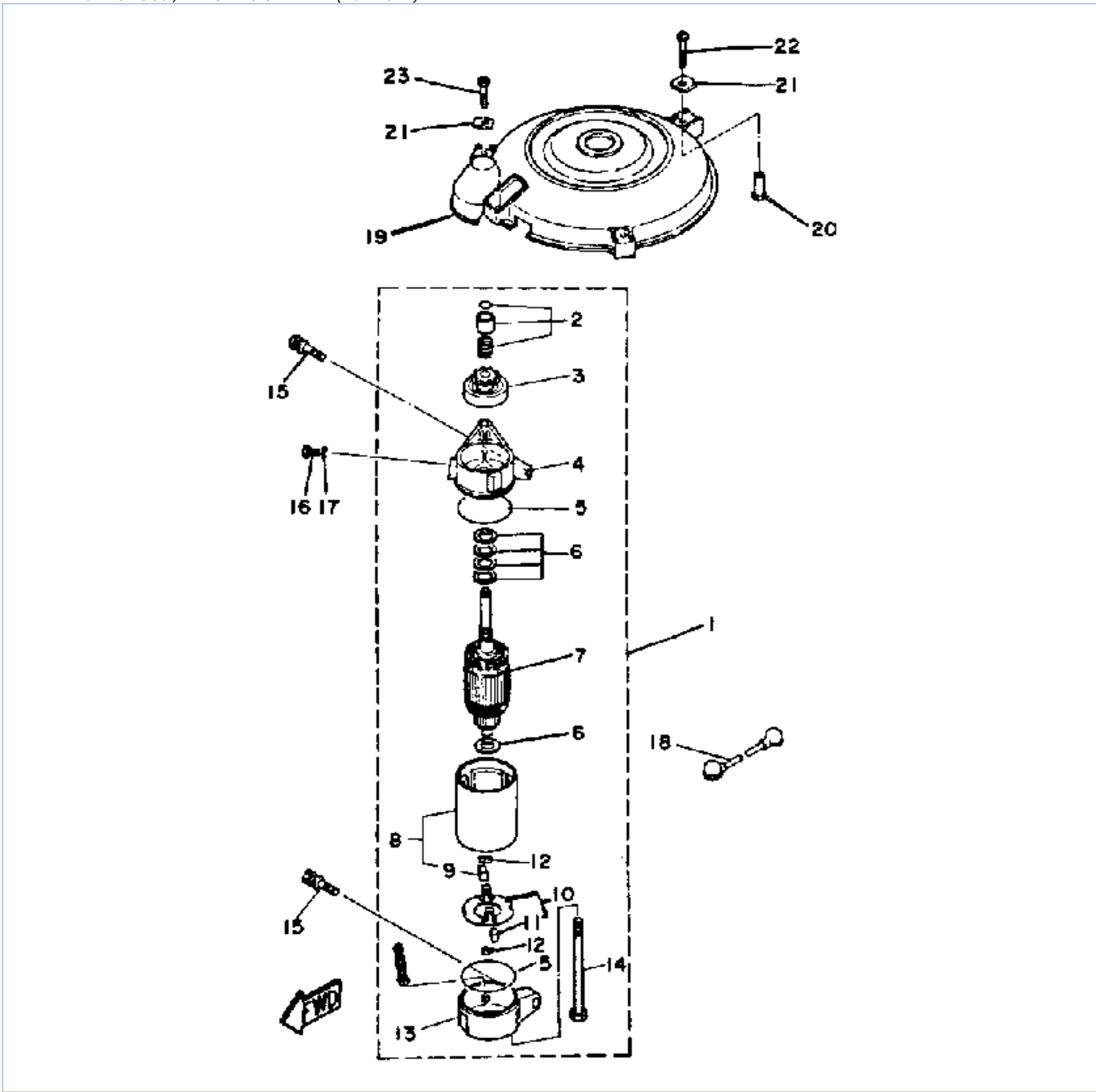
92990-06600-00



OEM: This part number is among the Top 100 Most Popular Marine Maintenance Parts as of March 2014.

©2014 Yamaha Motor Corporation, U.S.A. All rights reserved.

40ETLJ 1986 / ELECTRIC STARTER (40E 40ET)



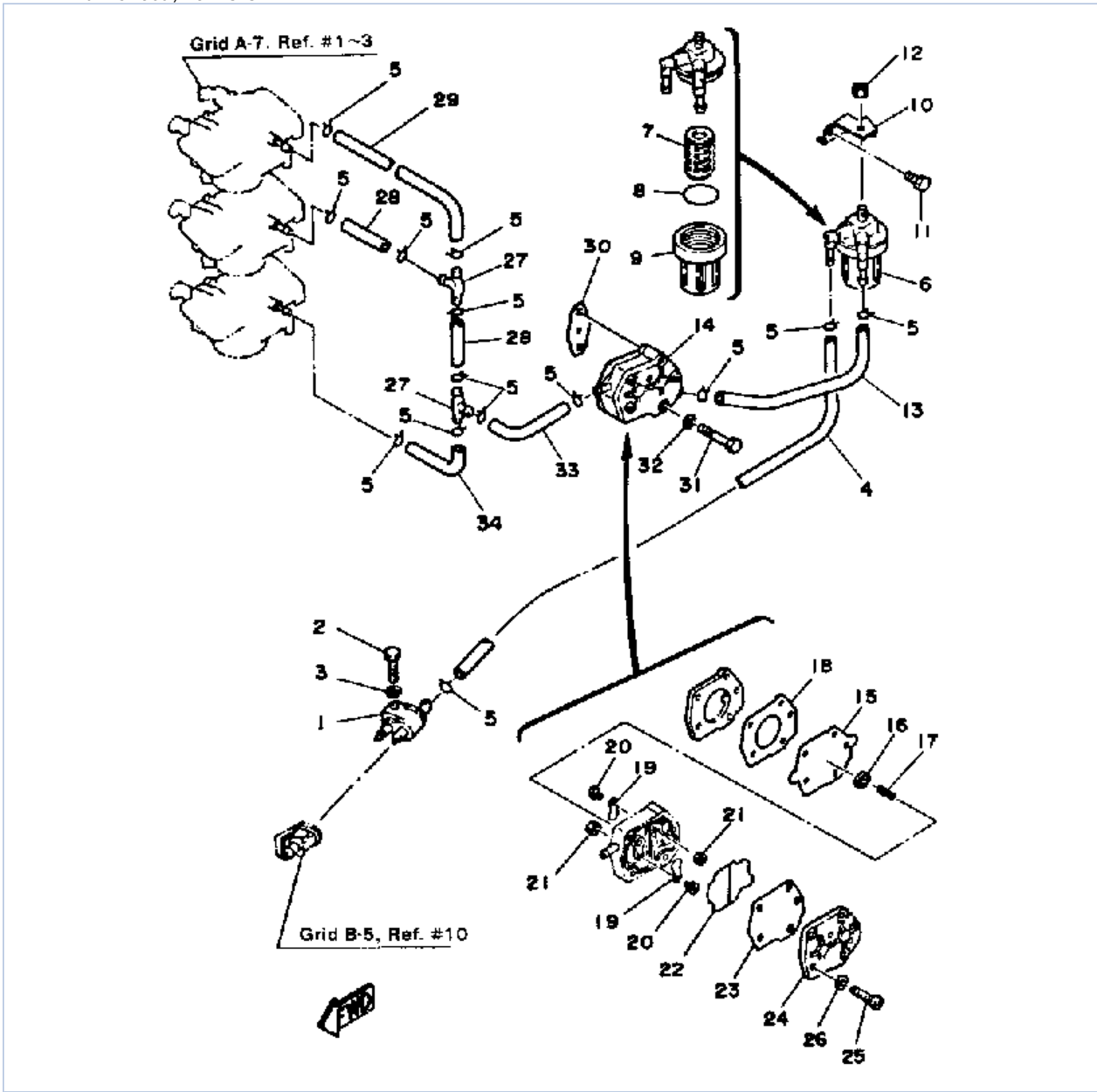
©2014 Yamaha Motor Corporation, U.S.A. All rights reserved.

## Part List

40ETLJ 1986 / ELECTRIC STARTER (40E 40ET)

REF - NO	PART NUMBER	PART NAME	QUANTITY	REMARKS
1	6H4-81800-12-00	STARTING MOTOR ASSEMBLY	1	
2	689-81857-11-00	PINION STOPPER SET	1	
3	6H3-81807-10-00	.GEAR ASSY, STARTING MOTOR	1	
4	6H4-81830-11-00	FRONT BRACKET ASSEMBLY	1	
5	689-81847-11-00	.O-RING	2	
6	689-81809-11-00	.WASHER KIT	1	
7	689-81850-12-00	ARMATURE ASSY	1	
8	6H3-81810-10-00	.STATOR ASSY	1	
9	689-81811-11-00	..BRUSH 1	1	
10	689-81840-11-00	.BRUSH HOLDER ASSY	1	
11	689-81812-11-00	..BRUSH 2	1	
12	689-81813-10-00	..SPRING, BRUSH	2	
13	6H3-81820-11-00	.REAR BRACKET ASSY	1	
14	689-81826-10-00	.BOLT	2	
15	90119-08M30-00	BOLT WITH WASHER	2	
16	97313-08016-00	BOLT, HEXAGON	1	
17	92990-08600-00	..WASHER, PLATE	1	
18	6H4-82117-00-00	WIRE, LEAD	1	
19	6H4-81337-00-00	COVER, FLYWHEEL	1	
20	90387-06M65-00	COLLAR	3	
21	90209-06M04-00	WASHER	3	
22	98580-06040-00	SCREW, PAN HEAD	1	
23	98580-06030-00	.SCREW, PAN HEAD	2	

40ETLJ 1986 / FUEL SYSTEM



©2014 Yamaha Motor Corporation, U.S.A. All rights reserved.






## Part List

40ETLJ 1986 / FUEL SYSTEM

REF - NO	PART NUMBER	PART NAME	QUANTITY	REMARKS
1	6G1-24304-02-00	FUEL PIPE JOINT COMP. 1	1	
2	97313-06025-00	BOLT	1	
3	92990-06600-00	WASHER, PLATE	1	
4	90445-09M37-00	HOSE (L240)	1	
5	90467-08004-00	CLIP	14	
6	655-24560-01-00	FILTER ASSEMBLY	1	
7	6F5-24563-00-00	ELEMENT, FILTER	1	
8	93210-37M25-00	O-RING	1	
9	655-24521-01-00	CUP, FILTER	1	
10	6H4-24566-01-00	BRACKET, FILTER	1	
11	97013-06012-00	BOLT	1	
12	95333-08600-00	NUT	1	
13	6H4-24314-00-00	PIPE 4	1	
14	6A0-24410-05-00	FUEL PUMP ASSEMBLY	1	
15	648-24411-00-00	DIAPHRAGM	1	
16	648-24424-00-00	.SEAT, SPRING	1	
17	648-24423-00-00	SPRING, DIAPHRAGM	1	
18	648-24434-01-00	GASKET, BODY	1	
19	6A0-24421-01-00	.VALVE, CHECK	2	
20	90147-03M00-00	SCREW, PAN HEAD	2	
21	98813-03100-00	NUT	2	
22	6A0-24435-00-00	GASKET, BODY 2	1	
23	663-24411-00-00	DIAPHRAGM	1	
24	6A0-24413-00-00	.BODY 2	1	
25	(98503-05028-00)	SCREW, PAN HEAD	3	
26	92990-05100-00	.WASHER, SPRING	3	
27	688-24378-00-00	PIPE, JOINT 3	2	
28	90445-09057-00	HOSE (L43)	2	
29	6H4-24313-00-00	PIPE 3	1	
30	650-24431-A0-00	GASKET, FUEL PUMP 1	1	
31	97313-06040-00	BOLT, HEXAGON	2	
32	92990-06600-00	WASHER, PLATE	2	
33	90445-09063-00	HOSE (L80)	1	
34	6H4-24312-00-00	PIPE 2	1	

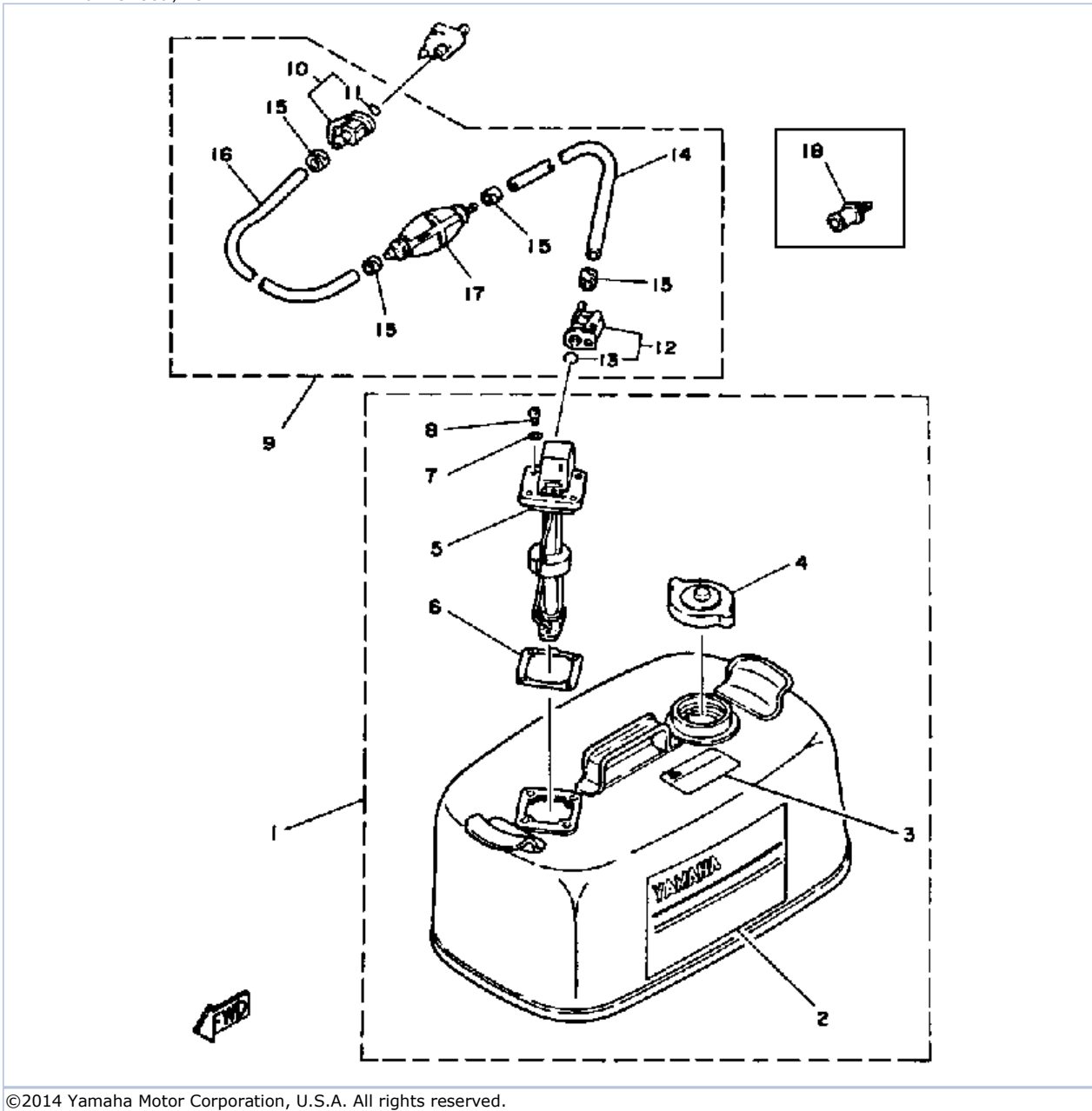
## Part Notes

40ETLJ 1986 / FUEL SYSTEM

PART NUMBER	NOTE TEXT
92990-06600-00 	OEM: This part number is among the Top 100 Most Popular Marine Maintenance Parts as of March 2014.
650-24431-A0-00 	OEM: This part number is among the Top 100 Most Popular Marine Maintenance Parts as of March 2014.
92990-06600-00 	OEM: This part number is among the Top 100 Most Popular Marine Maintenance Parts as of March 2014.

©2014 Yamaha Motor Corporation, U.S.A. All rights reserved.

40ETLJ 1986 / FUEL TANK



## Part List

40ETLJ 1986 / FUEL TANK

REF - NO	PART NUMBER	PART NAME	QUANTITY	REMARKS
1	6Y1-W2420-42-24	FUEL TANK ASSEMBLY	1	
2	6Y1-24244-20-00	GRAPHIC, SIDE	1	
3	6Y1-24255-40-00	GRAPHIC, FUEL TNK 8	1	
4	6Y1-24610-00-00	CAP ASSEMBLY	1	
5	6Y1-24260-02-00	FUEL METER ASSEMBLY	1	
6	6Y1-24268-00-00	.GASKET, FUEL METER	1	
7	6Y1-24329-00-00	.SEAL	4	
8	98586-05016-00	SCREW, PAN HEAD	4	
9	6Y1-24306-51-00	FUEL PIPE COMP. 1	1	
10	6G1-24305-01-00	FUEL PIPE JOINT COMP. 2	1	
11	93210-08287-00	..O-RING	1	
12	6Y1-24305-02-00	FUEL PIPE JOINT COMP. 2	1	
13	93210-08287-00	..O-RING	1	
14	90445-11M80-00	HOSE	1	
15	650-24351-51-00	.BAND 1	4	
16	(90445-11M78-00)	HOSE	1	
17	6Y1-24360-51-00	PRIMER PUMP ASSY.	1	
18	ABB-FLUSH-JD-00	JET DRIVE FLUSH	1	

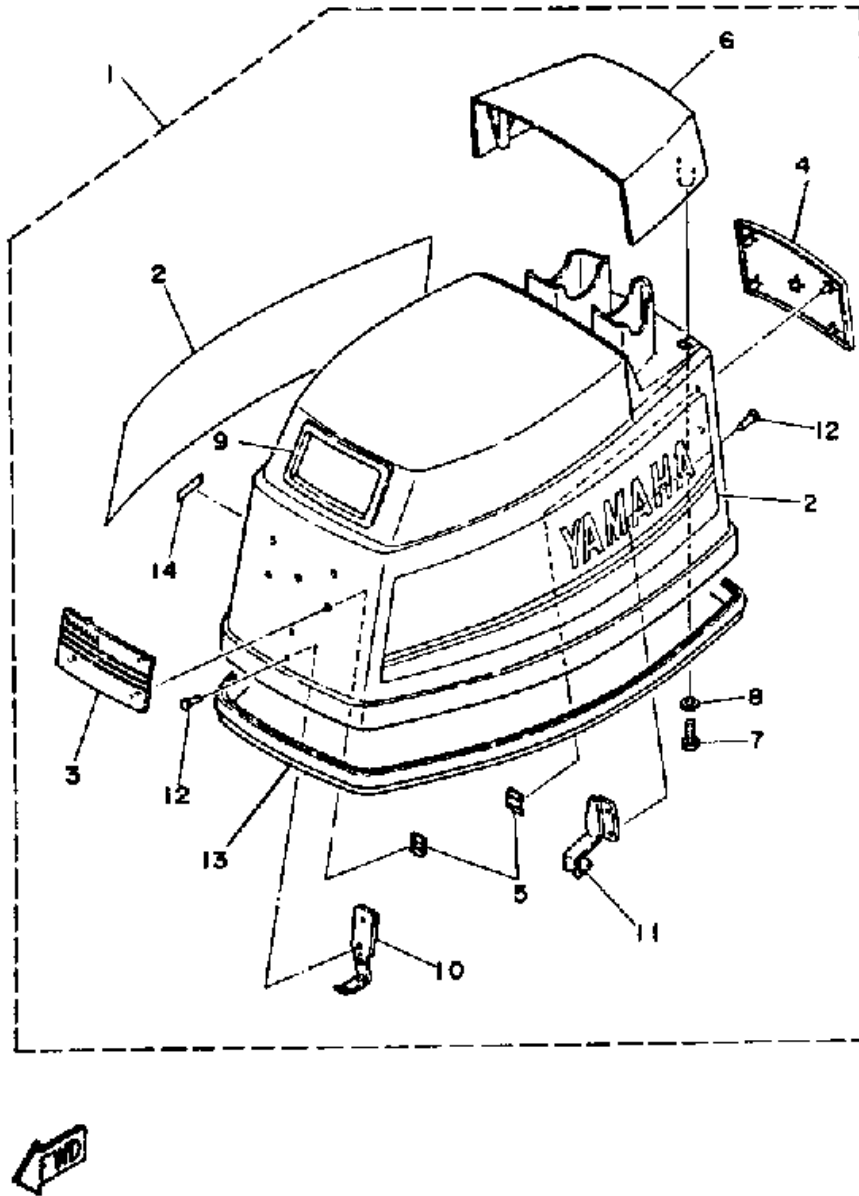


## Part List

40ETLJ 1986 / FUEL TANK (40E 40ET)

REF - NO	PART NUMBER	PART NAME	QUANTITY	REMARKS
1	6Y1-W2420-42-24	FUEL TANK ASSEMBLY	1	
2	6Y1-24244-20-00	GRAPHIC, SIDE	1	
3	6Y1-24256-50-00	GRAPHIC, FUEL TANK	1	
4	6Y1-24610-00-00	CAP ASSEMBLY	1	
5	6Y1-24260-02-00	FUEL METER ASSEMBLY	1	
6	6Y1-24268-00-00	.GASKET, FUEL METER	1	
7	6Y1-24329-00-00	.SEAL	4	
8	98586-05016-00	SCREW, PAN HEAD	4	
9	6Y1-24306-51-00	FUEL PIPE COMP. 1	1	
10	6G1-24305-01-00	FUEL PIPE JOINT COMP. 2	1	
11	93210-08287-00	..O-RING	1	
12	6Y1-24305-02-00	FUEL PIPE JOINT COMP. 2	1	
13	93210-08287-00	..O-RING	1	
14	90445-11M80-00	HOSE	1	
15	650-24351-51-00	.BAND 1	4	
16	90445-11M78-00	HOSE	1	
17	6Y1-24360-51-00	PRIMER PUMP ASSY.	1	

40ETLJ 1986 / TOP COWLING



©2014 Yamaha Motor Corporation, U.S.A. All rights reserved.


## Part List

40ETLJ 1986 / TOP COWLING

REF - NO	PART NUMBER	PART NAME	QUANTITY	REMARKS
1	6H4-42610-H2-EK	TOP COWLING ASSEMBLY	1	
2	6H4-W0070-22-00	GRAPHIC SET	1	
3	6H4-42686-00-00	EMBLEM, FRONT	1	
4	6H4-42687-00-00	EMBLEM, REAR	1	
5	90183-05M01-00	NUT, SPRING	10	
6	6H4-42613-00-EK	MOLDING, AIR DUCT	1	
7	97313-06016-00	BOLT, HEXAGON	4	
8	92990-06600-00	WASHER, PLATE	4	
9	6H4-15761-00-00	.SEAL, RUBBER 1	1	
10	6H4-42651-00-00	.HOOK	1	
11	6H4-42652-00-00	.HOOK	1	
12	90266-04M01-00	.RIVET	4	
13	6H4-42615-00-00	.SEAL	1	
14	6E0-44191-11-00	INDICATOR, SHIFT	1	

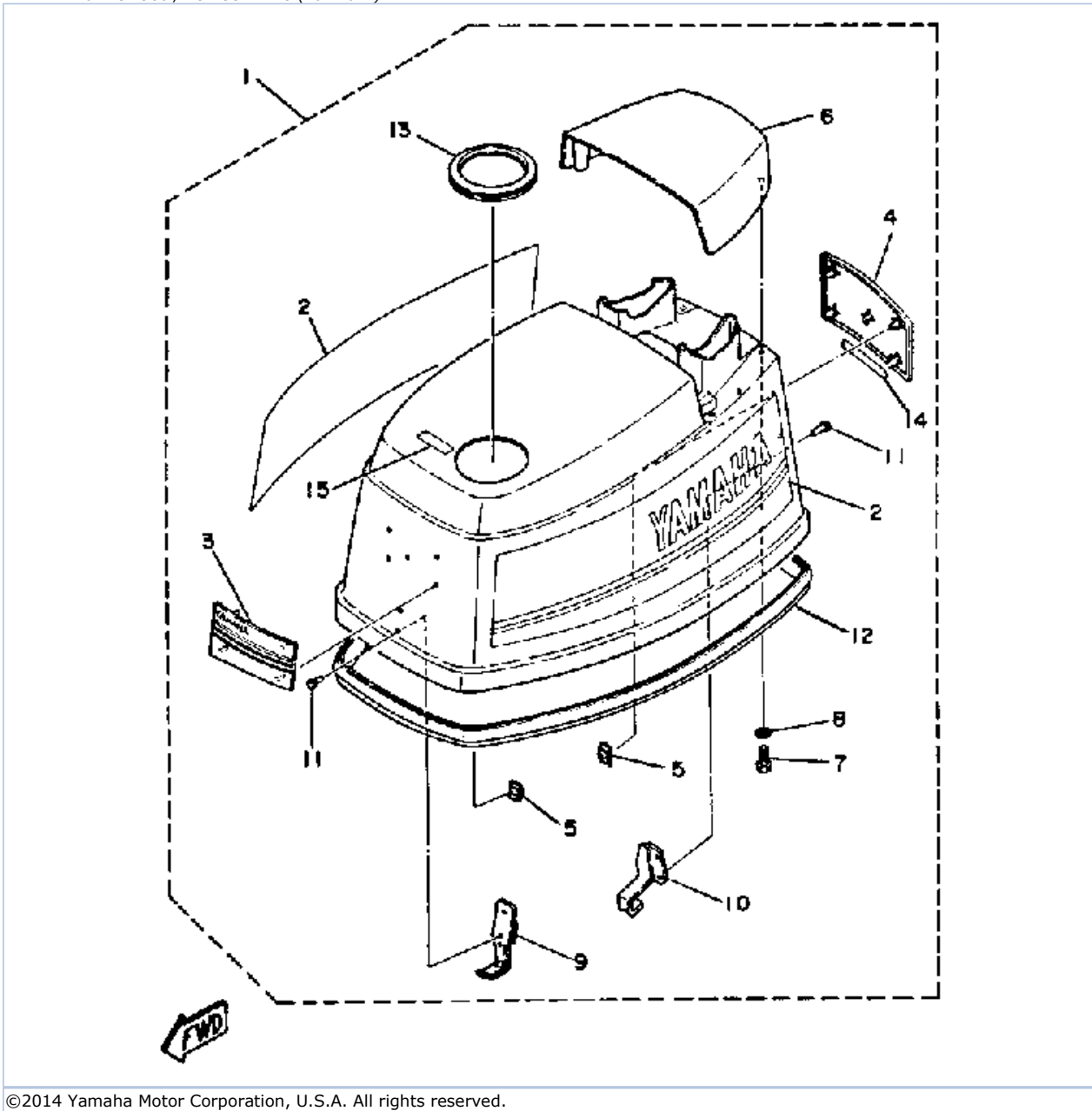
## Part Notes

40ETLJ 1986 / TOP COWLING

PART NUMBER	NOTE TEXT
92990-06600-00 	OEM: This part number is among the Top 100 Most Popular Marine Maintenance Parts as of March 2014.

©2014 Yamaha Motor Corporation, U.S.A. All rights reserved.

40ETLJ 1986 / TOP COWLING (40E 40ET)



©2014 Yamaha Motor Corporation, U.S.A. All rights reserved.




## Part List

40ETLJ 1986 / TOP COWLING (40E 40ET)

REF - NO	PART NUMBER	PART NAME	QUANTITY	REMARKS
1	6H4-42610-42-EK	TOP COWLING ASSEMBLY	1	
2	6H4-W0070-42-00	GRAPHIC SET	1	
3	6H4-42686-00-00	EMBLEM, FRONT	1	
4	6H4-42687-00-00	EMBLEM, REAR	1	
5	90183-05M01-00	NUT, SPRING	10	
6	6H4-42613-10-EK	MOLDING, AIR DUCT	1	
7	97313-06016-00	BOLT, HEXAGON	4	
8	92990-06600-00	WASHER, PLATE	4	
9	6H4-42651-00-00	.HOOK	1	
10	6H4-42652-00-00	.HOOK	1	
11	90266-04M01-00	.RIVET	4	
12	6H4-42615-00-00	.SEAL	1	
13	6H4-21732-00-00	SEAL	1	
14	6G1-42683-00-00	MARK, COWLING 3	1	
15	6H4-13436-40-00	MARK	1	

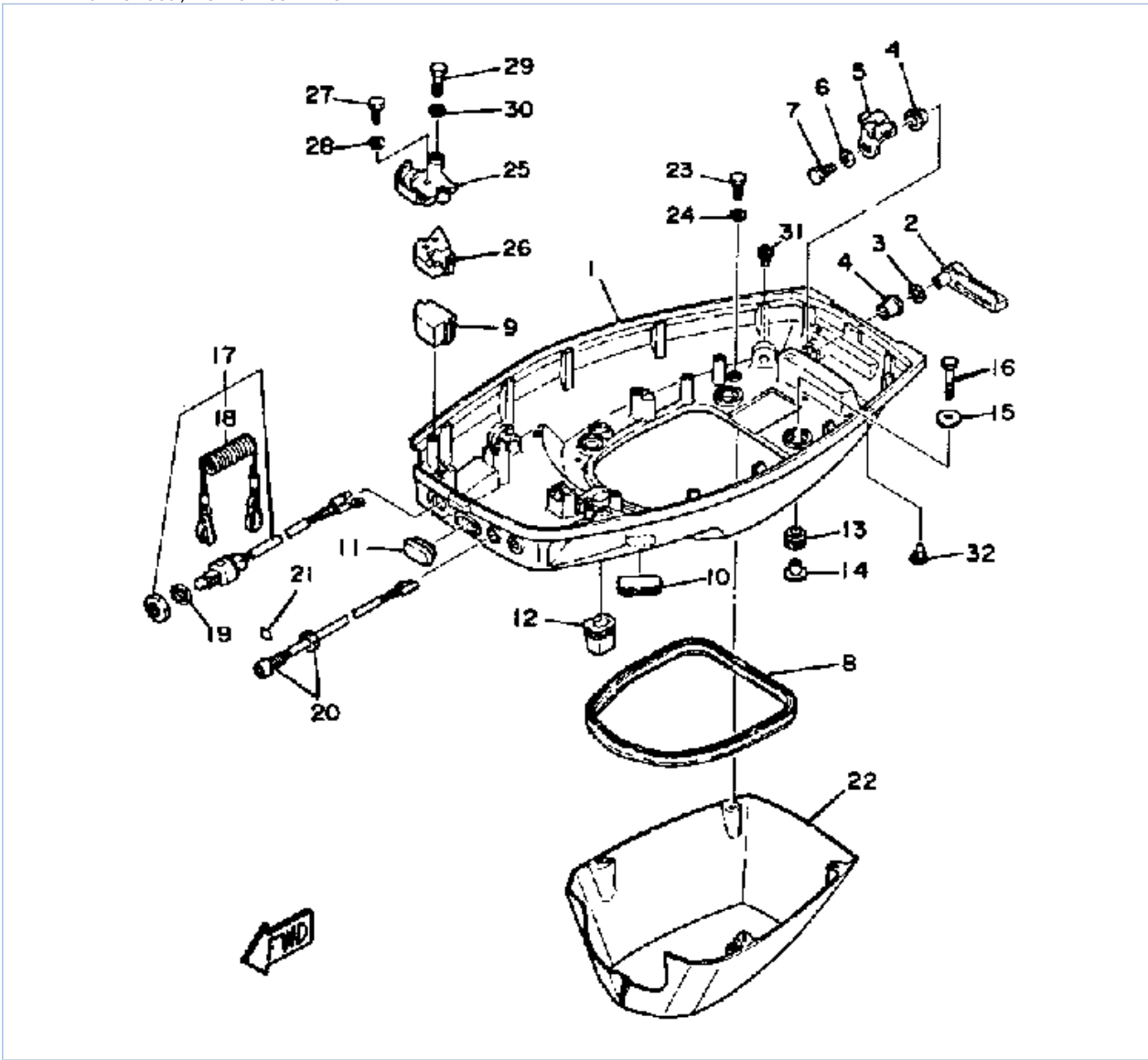
## Part Notes

40ETLJ 1986 / TOP COWLING (40E 40ET)

PART NUMBER	NOTE TEXT
92990-06600-00 	OEM: This part number is among the Top 100 Most Popular Marine Maintenance Parts as of March 2014.

©2014 Yamaha Motor Corporation, U.S.A. All rights reserved.

40ETLJ 1986 / BOTTOM COWLING



©2014 Yamaha Motor Corporation, U.S.A. All rights reserved.




## Part List

40ETLJ 1986 / BOTTOM COWLING

REF - NO	PART NUMBER	PART NAME	QUANTITY	REMARKS
1	6H4-W4271-01-EK	BOTTOM COWLING	1	
2	6H4-42815-00-00	LEVER, CLAMP	1	
3	90206-12052-00	WASHER, WAVE	1	
4	90386-12069-00	BUSH	2	
5	6H4-42816-00-00	LEVER, CLAMP	1	
6	90201-06M02-00	WASHER, PLATE	1	
7	97313-06010-00	BOLT, HEXAGON	1	
8	6H4-42716-00-00	RUBBER, SEAL 1	1	
9	6H4-42724-00-00	GROMMET	1	
10	6H5-42726-00-00	GROMMET	1	U.R. 40ET MODEL
10	6H4-42726-00-00	GROMMET	1	U.R.
11	6H3-42727-00-00	GROMMET	1	
12	682-42727-00-00	GROMMET	1	
13	90480-09M21-00	GROMMET	4	
14	90387-06M41-00	COLLAR	4	
15	90201-06416-00	WASHER, PLATE	4	
16	97313-06030-00	BOLT	4	
17	6E9-82575-01-00	ENGINE STOP SWITCH ASSEMBLY	1	
18	682-82556-00-00	.LANYARD, STOP SWITCH	1	
19	6H4-82537-00-00	ATTACHMENT, STOP SWITCH	1	
20	6H4-85411-00-00	OVERHEAT WARNING LAMP	1	
21	6H4-85415-00-00	MARK, SIGNAL LAMP	1	
22	6H4-42741-00-00	APRON 1	1	
23	97313-06016-00	BOLT, HEXAGON	4	
24	92990-06600-00	WASHER, PLATE	4	
25	6H4-48531-00-94	BRACKET, REMOTE CONTROL 1	1	
26	6H4-48532-00-94	BRACKET, REMOTE CONTROL 2	1	
27	97313-05016-00	BOLT, HEXAGON	1	
28	92990-05600-00	WASHER, PLATE	1	
29	97313-06020-00	BOLT, HEXAGON	2	
30	92990-06600-00	WASHER, PLATE	2	
31	6E5-44391-00-00	NIPPLE, HOSE	1	
32	6H4-42748-00-00	GROMMET	2	

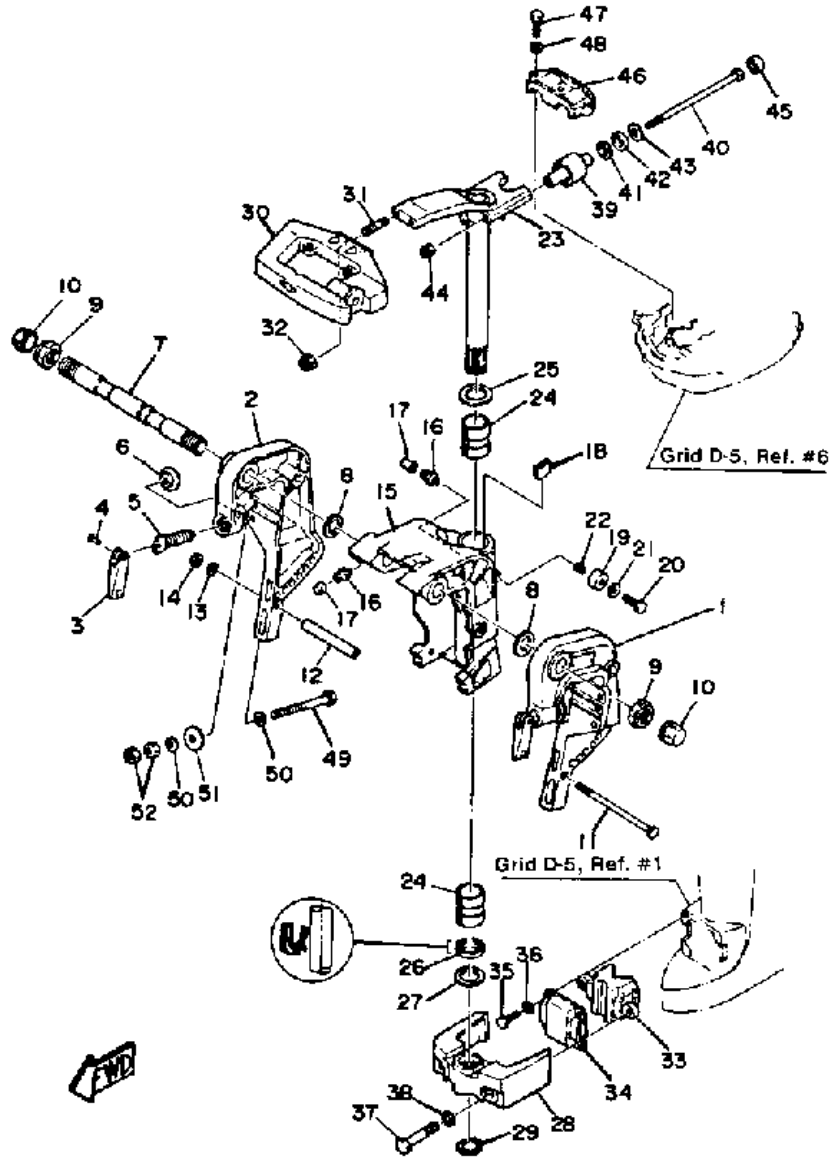
## Part Notes

40ETLJ 1986 / BOTTOM COWLING

PART NUMBER	NOTE TEXT
682-82556-00-00 	OEM: This part number is among the Top 100 Most Popular Marine Maintenance Parts as of March 2014.
92990-06600-00 	OEM: This part number is among the Top 100 Most Popular Marine Maintenance Parts as of March 2014.
92990-06600-00 	OEM: This part number is among the Top 100 Most Popular Marine Maintenance Parts as of March 2014.

©2014 Yamaha Motor Corporation, U.S.A. All rights reserved.

40ETLJ 1986 / BRACKET 1



©2014 Yamaha Motor Corporation, U.S.A. All rights reserved.

## Part List



40ETLJ 1986 / BRACKET 1

REF - NO	PART NUMBER	PART NAME	QUANTITY	REMARKS
1	6H4-43111-04-EK	BRACKET, CLAMP	1	
2	6H4-43112-04-EK	BRACKET, CLAMP	1	
3	616-43118-00-EK	HANDLE, TRANSOM CLIP	2	
4	90243-04M00-00	PIN	2	
5	90149-14030-00	SCREW, SPECL SHAPE	2	
6	648-43114-01-00	PAD, TRANSOM CLAMP	2	
7	696-43131-01-00	BOLT, CLAMP BRACKET	1	
8	90201-22428-00	WASHER, PLATE	2	
9	90185-22043-00	NUT, SELF-LOCKING	2	
10	6G5-43145-00-00	CAP, CLAMP BRACKET	2	
11	90101-08339-00	BOLT	1	
12	90387-08M03-00	COLLAR	1	
13	92990-08600-00	..WASHER, PLATE	1	
14	95380-08600-00	NUT	1	
15	6H4-W4331-00-EK	BRACKET, SWIVEL 1	1	
16	93700-06M03-00	NIPPLE, GREASE	3	
17	663-45119-00-00	CAP, GREASE NIPPLE	3	
18	6H4-42528-00-00	PLATE, FRICTION	1	
19	676-43373-00-00	SEAL, DAMPER	1	
20	97395-08030-00	BOLT	1	
21	92990-08600-00	..WASHER, PLATE	1	
22	90501-18M00-00	SPRING, COMPRESSION	1	
23	6H4-42510-02-EK	STEERING BRACKET ASSEMBLY	1	
24	90386-30048-00	BUSH	2	
25	90201-30M00-00	WASHER, PLATE	1	
26	93109-30M03-00	OIL SEAL	1	
27	90201-31418-00	WASHER, PLATE	1	
28	6H4-44551-01-EK	HOUSING, LOWER MOUNT	1	
29	93410-28M06-00	CIRCLIP	1	
30	6H4-42121-02-5B	BRACKET	1	
31	90116-10175-00	BOLT, STUD	2	
32	90185-10051-00	NUT, SELF-LOCKING	2	
33	6H4-44557-00-00	MOUNT DAMPER, LOWER FRONT	1	U.R. SHORT
33	6H4-44557-10-00	MOUNT DAMPER, LOWER FRONT	1	U.R. LONG
34	6H4-44553-01-00	COVER, LOWER MOUNT	1	
35	97395-08025-00	BOLT	4	
36	92990-08600-00	..WASHER, PLATE	4	
37	97395-10060-00	BOLT	2	
38	92990-10600-00	WASHER, PLATE	2	
39	6H4-44514-00-00	MOUNT DAMPER, UPPER SIDE	2	
40	90101-08M86-00	BOLT	2	
41	90201-15M98-00	WASHER, PLATE	2	
42	90202-15M30-00	WASHER, PLATE	2	
43	90201-09425-00	WASHER, PLATE	2	
44	90185-08045-00	NUT, SELF-LOCKING	2	
45	663-44533-00-00	DAMPER, UPPER MOUNT RUBBER	2	
46	6H4-44511-00-94	COVER, UPPER MOUNT	1	
47	97090-08035-00	BOLT	3	
48	92990-08100-00	WASHER, SPRING	3	
49	90101-10M58-00	BOLT	4	

50	92990-10600-00	WASHER, PLATE	8	
51	90201-12426-00	WASHER, PLATE	4	
52	95380-10600-00	NUT	8	

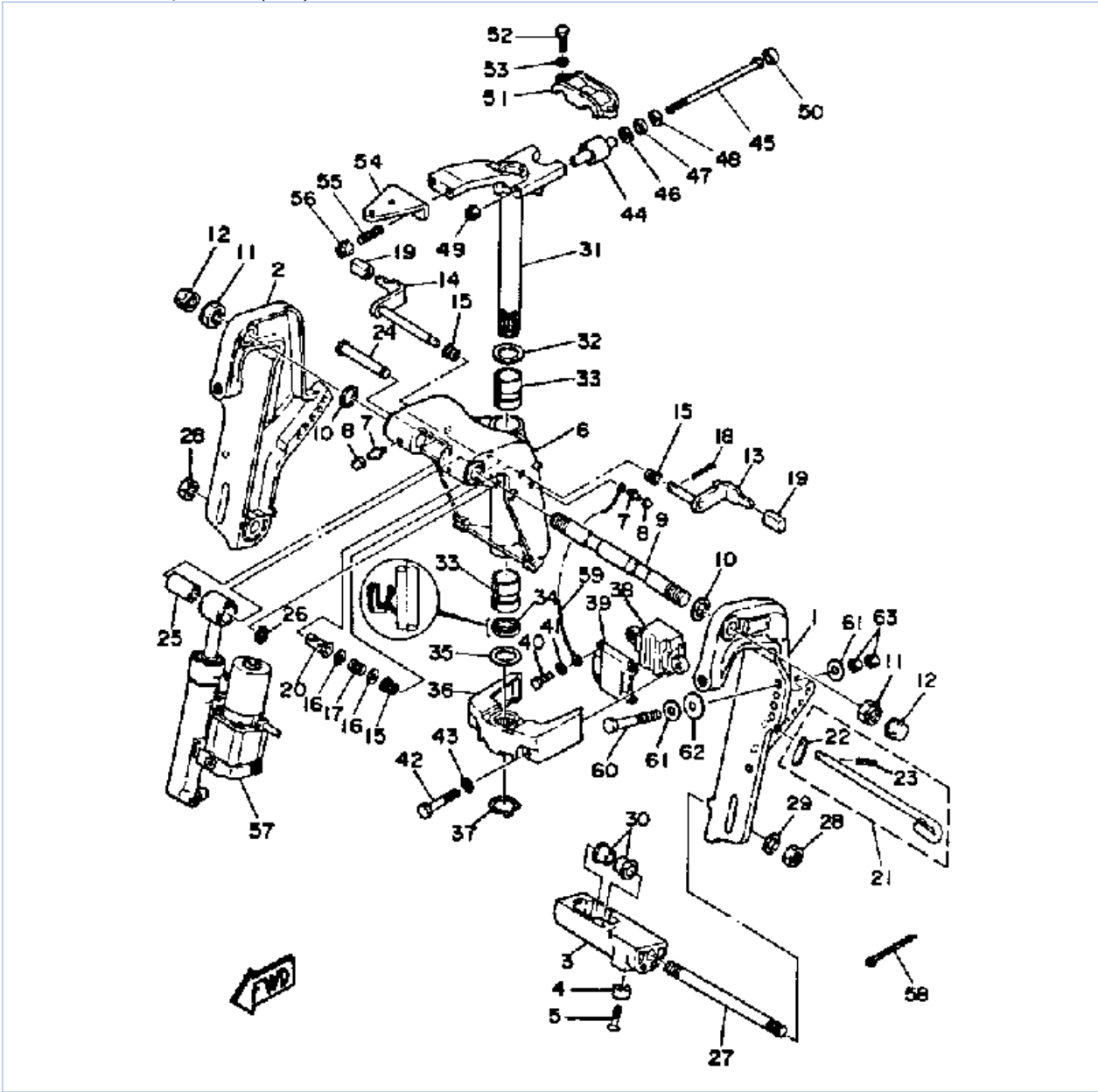
## Part Notes

40ETLJ 1986 / BRACKET 1

PART NUMBER		NOTE TEXT
92990-10600-00		OEM: This part number is among the Top 100 Most Popular Marine Maintenance Parts as of March 2014.
92990-10600-00		OEM: This part number is among the Top 100 Most Popular Marine Maintenance Parts as of March 2014.

©2014 Yamaha Motor Corporation, U.S.A. All rights reserved.

40ETLJ 1986 / BRACKET (40ET)



©2014 Yamaha Motor Corporation, U.S.A. All rights reserved.

## Part List

40ETLJ 1986 / BRACKET (40ET)


REF - NO	PART NUMBER	PART NAME	QUANTITY	REMARKS
1	6H5-43111-02-EK	BRACKET, CLAMP	1	
2	6H5-43112-03-EK	BRACKET, CLAMP	1	
3	6H5-43128-01-EK	SPACER, CLAMP BRACKET	1	
4	688-45251-01-00	ANODE	1	
5	92180-06025-00	SCREW, OVAL HEAD	1	
6	6H5-W4331-01-EK	BRACKET, SWIVEL 1	1	
7	93700-06M03-00	NIPPLE, GREASE	3	
8	663-45119-00-00	CAP, GREASE NIPPLE	3	
9	696-43131-01-00	BOLT, CLAMP BRACKET	1	
10	90201-24428-00	UNAVAILABLE IN PRICE BOOK	2	
11	90185-22043-00	NUT, SELF-LOCKING	2	
12	6G5-43145-00-00	CAP, CLAMP BRACKET	2	
13	6H5-43181-02-00	LEVER, TILT STOP	1	
14	6H5-43185-02-00	LEVER, TILT STOP	1	
15	90386-10M16-00	BUSH	3	
16	92990-10200-00	WASHER, PLAIN	2	
17	90501-10M21-00	SPRING, COMPRESSION	1	
18	91490-30030-00	PIN, COTTER	1	
19	663-43318-00-00	COVER	2	
20	90386-10M19-00	BUSH	1	
21	676-43160-02-00	TILT ROD ASSY	1	
22	676-43165-00-00	.PLATE, TILT LOCK	1	
23	91690-30010-00	PIN, SPRING	1	
24	6H5-43126-00-00	PIN, UPPER SHOCK MT	1	
25	(90306-14M57-00)	BUSHING	1	
26	93410-14M07-00	CIRCLIP, S-TYPE	1	
27	90116-18M21-00	BOLT, STUD	1	
28	90170-18M10-00	NUT	2	
29	92990-18600-00	WASHER	1	
30	90386-18M44-00	BUSH	2	
31	6H4-42510-02-EK	STEERING BRACKET ASSEMBLY	1	
32	90201-30M00-00	WASHER, PLATE	1	
33	90386-30048-00	BUSH	2	
34	93109-30M03-00	OIL SEAL	1	
35	90201-31418-00	WASHER, PLATE	1	
36	6H4-44551-01-EK	HOUSING, LOWER MOUNT	1	
37	93410-28M06-00	CIRCLIP	1	
38	6H4-44557-10-00	MOUNT DAMPER, LOWER FRONT	1	U.R. LONG
38	6H4-44557-00-00	MOUNT DAMPER, LOWER FRONT	1	U.R. SHORT
39	6H4-44553-01-00	COVER, LOWER MOUNT	1	
40	97395-08025-00	BOLT	4	
41	92990-08600-00	..WASHER, PLATE	4	
42	97395-10060-00	BOLT	2	
43	92990-10600-00	WASHER, PLATE	2	
44	6H4-44514-00-00	MOUNT DAMPER, UPPER SIDE	2	
45	90101-08M86-00	BOLT	2	
46	90201-15M98-00	WASHER, PLATE	2	
47	90202-15M30-00	WASHER, PLATE	2	
48	90201-09425-00	WASHER, PLATE	2	
49	90185-08045-00	NUT, SELF-LOCKING	2	



50	663-44533-00-00	DAMPER, UPPER MOUNT RUBBER	2	
51	6H4-44511-00-94	COVER, UPPER MOUNT	1	
52	97090-08035-00	BOLT	3	
53	92990-08100-00	WASHER, SPRING	3	
54	6H4-48511-51-EK	HOOK, STEERING	1	
55	90116-10175-00	BOLT, STUD	2	
56	90185-10051-00	NUT, SELF-LOCKING	2	
57	6H5-43840-04-EK	POWER TILT ASSEMBLY	1	SEE NOTE
58	90465-11M10-00	CLAMP	1	
59	6H5-82127-00-00	WIRE, LEAD 2	1	
60	90101-12M65-00	BOLT	4	
61	92990-12200-00	WASHER, PLAIN	8	
62	90201-12426-00	WASHER, PLATE	4	
63	95380-12600-00	NUT	8	

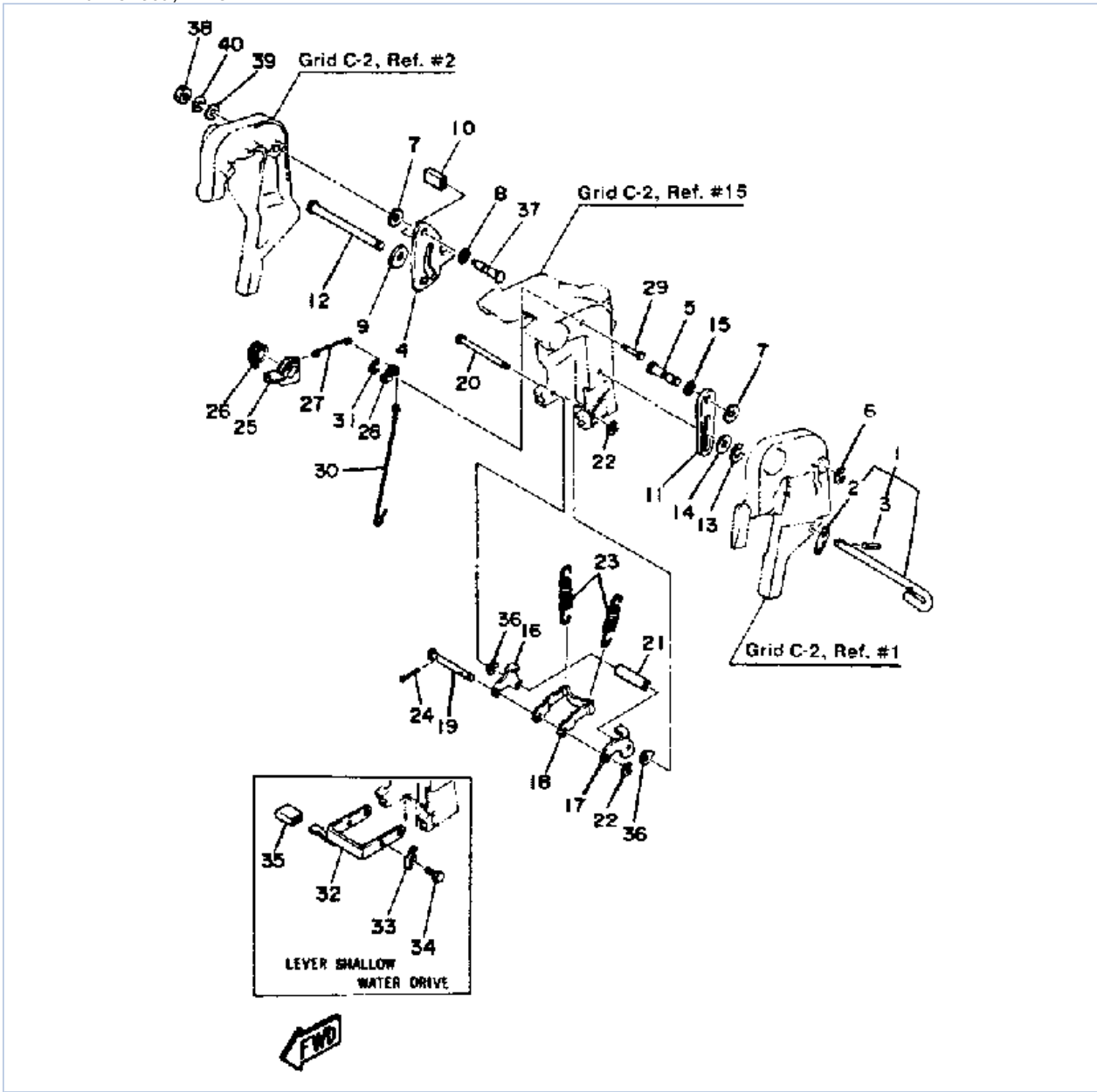
## Part Notes

40ETLJ 1986 / BRACKET (40ET)

PART NUMBER	NOTE TEXT
92990-10600-00 	OEM: This part number is among the Top 100 Most Popular Marine Maintenance Parts as of March 2014.

©2014 Yamaha Motor Corporation, U.S.A. All rights reserved.

40ETLJ 1986 / BRACKET 2



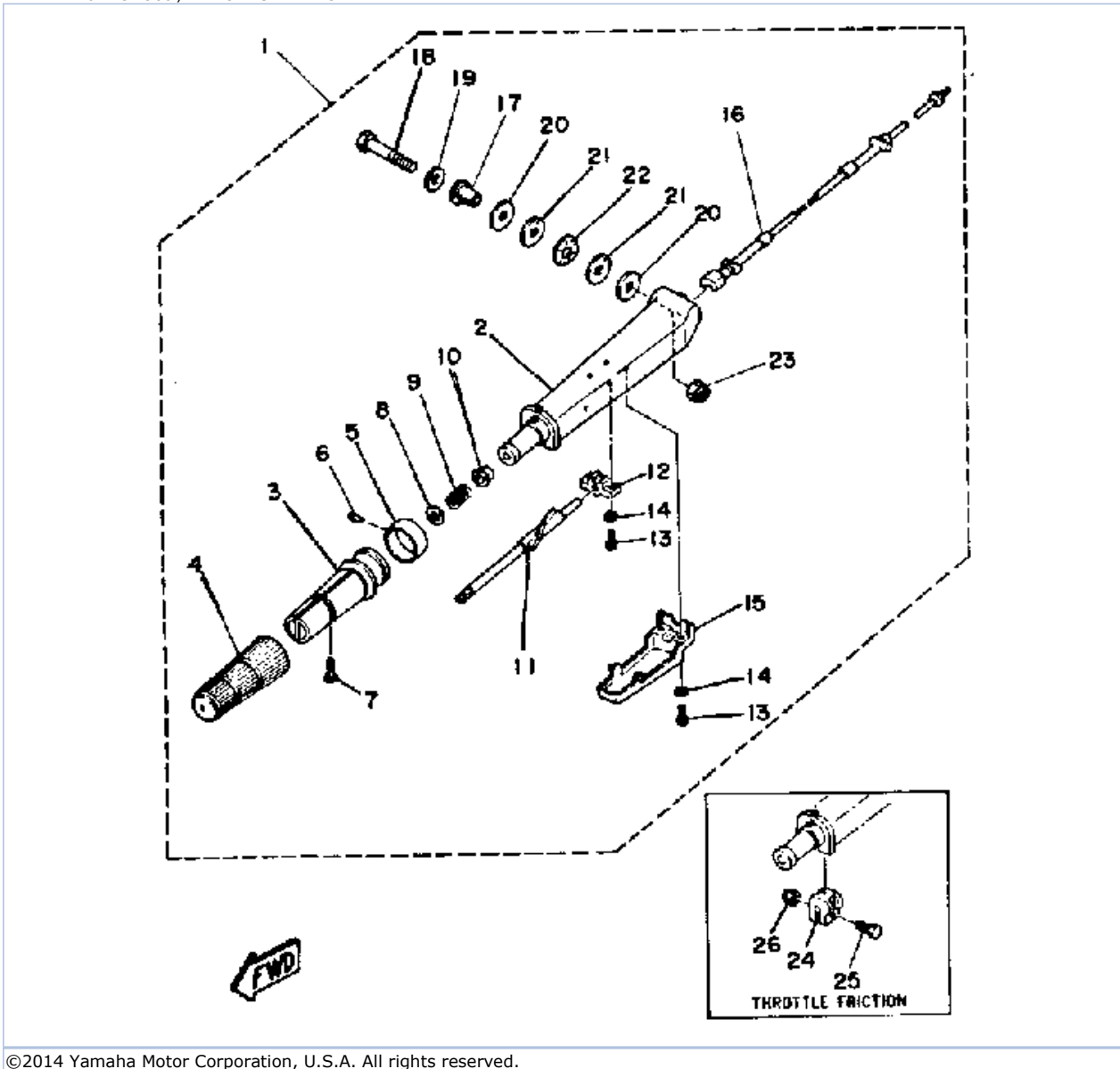
©2014 Yamaha Motor Corporation, U.S.A. All rights reserved.

## Part List

40ETLJ 1986 / BRACKET 2

REF - NO	PART NUMBER	PART NAME	QUANTITY	REMARKS
1	6H4-43160-00-00	TILT ROD ASSEMBLY	1	
2	676-43165-00-00	.PLATE, TILT LOCK	1	
3	91690-30010-00	PIN, SPRING	1	
4	6H4-43181-01-00	LEVER, TILT STOP	1	
5	90249-12M27-00	PIN	1	
6	93430-10M00-00	CIRCLIP	1	
7	90202-12M01-00	WASHER, PLATE	2	
8	90206-12052-00	WASHER, WAVE	1	
9	90202-12092-00	WASHER, PLATE	1	
10	663-43318-00-00	COVER	1	
11	6H4-43627-00-00	STOPPER 1	1	
12	90249-12M28-00	PIN	1	
13	93430-10M00-00	CIRCLIP	1	
14	90202-12M01-00	WASHER, PLATE	1	
15	90206-12M00-00	WASHER, WAVE	1	
16	6H4-43614-00-00	PLATE, TILT LOCK 1	1	
17	6H4-43615-00-00	PLATE, TILT LOCK	1	
18	6H4-43613-00-00	ARM, TILT LOCK	1	
19	6H4-43659-00-00	SHAFT, REVERSE LOCK	1	
20	6H4-43611-00-00	SHAFT, TILT LOCK	1	
21	90387-07M64-00	COLLAR	1	
22	93430-06M02-00	.CIRCLIP	2	
23	90506-30M18-00	SPRING, TENSION	2	
24	91490-20015-00	PIN. COTTER	2	
25	6H4-43631-01-00	LEVER, TILT 1	1	
26	689-43643-00-00	SPRING	1	
27	6H4-43616-00-00	ROD, TILT LOCK	1	
28	682-43641-00-00	LEVER, TILT	1	
29	90249-06117-00	PIN, SPEC"L SHAPE	1	
30	6H4-43617-00-00	ROD, TILT LOCK 2	1	
31	93430-05027-00	CIRCLIP	1	
32	6H4-43681-00-00	LEVER, SHALLOW WAT.	1	
33	6H4-43643-00-00	SPRING	1	
34	97395-06008-00	BOLT, HEXAGON	1	
35	682-43318-01-00	COVER	1	
36	6H4-43674-00-00	WASHER	2	W/O SHALLOW WATER
37	90109-08M24-00	BOLT	1	
38	95380-08700-00	NUT	1	
39	92990-08200-00	WASHER, PLAIN	1	
40	92990-08100-00	WASHER, SPRING	1	

40ETLJ 1986 / MANUAL STEERING



©2014 Yamaha Motor Corporation, U.S.A. All rights reserved.


## Part List

40ETLJ 1986 / MANUAL STEERING

REF - NO	PART NUMBER	PART NAME	QUANTITY	REMARKS
1	6H4-W0084-43-EK	STEERING HNDLE.ASSEMBLY	1	
2	6H4-42111-01-EK	HANDLE, STEERING	1	
3	664-42119-00-00	GRIP, STEERING HANDLE	1	
4	6G1-42177-00-00	RUBBER, HANDLE	1	
5	(6H4-42137-01-00)	INDICATOR, THROTTLE	1	
6	90269-02M09-00	RIVET	1	
7	98680-05525-00	SCREW.OVAL HEAD	1	
8	92990-10600-00	WASHER, PLATE	1	
9	90501-23215-00	SPRING, COMPRESSION	1	
10	90386-08032-00	BUSH	1	
11	6H4-42138-01-00	LEVER, THROTTLE	1	
12	6H4-42159-00-00	STAY	1	
13	98580-05016-00	SCREW, PAN HEAD	4	
14	92990-05600-00	WASHER, PLATE	4	
15	6H4-42131-00-00	COVER, HANDLE STEERING	1	
16	6H4-26311-03-00	CABLE, THROTTLE 1	1	
17	90386-12089-00	BUSH	1	
18	90101-12M37-00	BOLT	1	
19	92990-12200-00	WASHER, PLAIN	1	
20	90202-12092-00	WASHER, PLATE	2	
21	90201-12537-00	WASHER, PLATE	2	
22	90206-12054-00	WASHER, WAVE	1	
23	90185-12058-00	NUT, SELF-LOCKING	1	
24	656-42126-01-00	FRICTION, STEERING HANDLE GRIP	1	
25	97395-06020-00	BOLT, HEXAGON	1	
26	90185-06062-00	NUT, SELF-LOCKING	1	

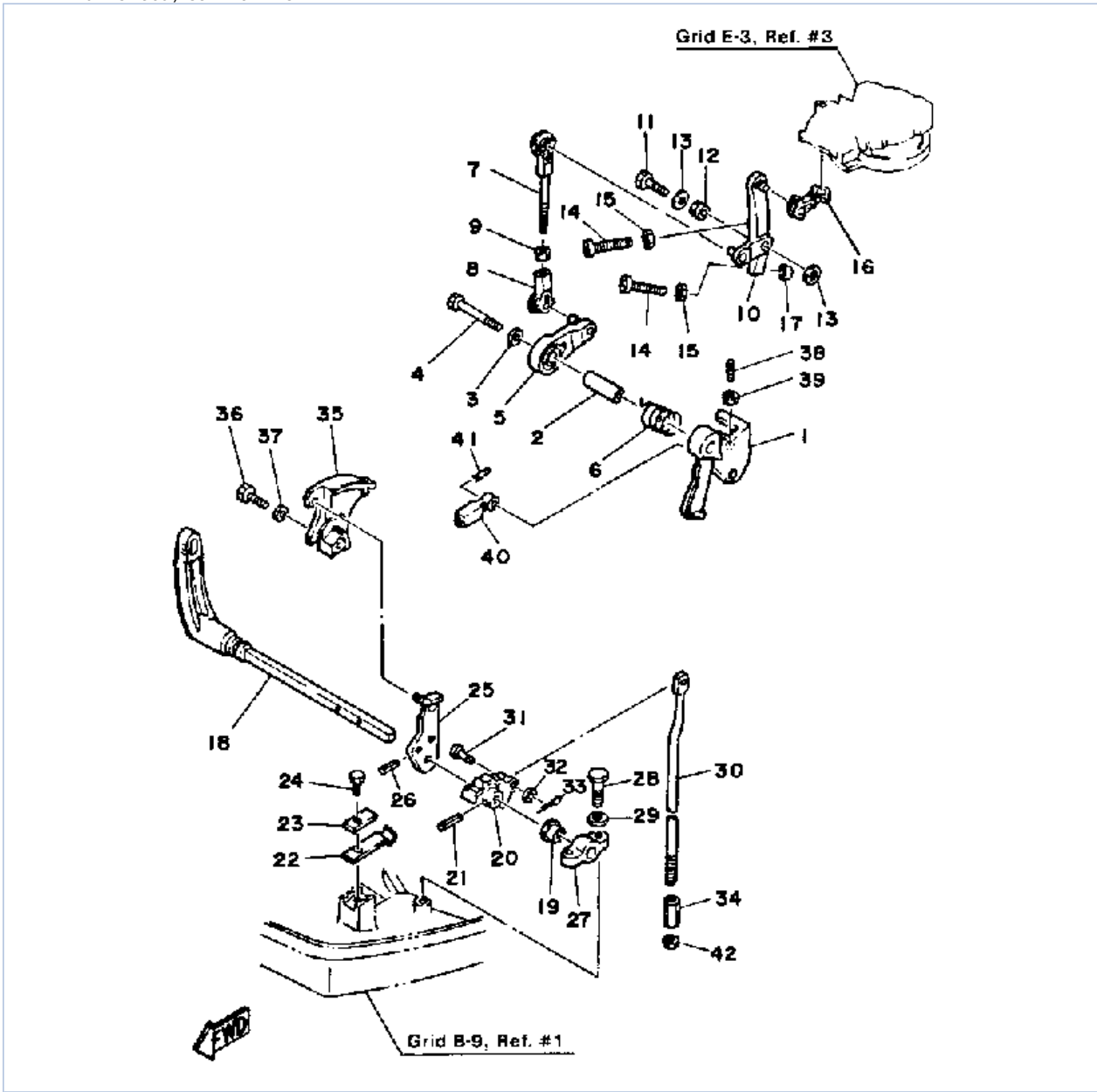
## Part Notes

40ETLJ 1986 / MANUAL STEERING

PART NUMBER	NOTE TEXT
92990-10600-00 	OEM: This part number is among the Top 100 Most Popular Marine Maintenance Parts as of March 2014.

©2014 Yamaha Motor Corporation, U.S.A. All rights reserved.

40ETLJ 1986 / CONTROL ENGINE



©2014 Yamaha Motor Corporation, U.S.A. All rights reserved.



## Part List

40ETLJ 1986 / CONTROL ENGINE

REF - NO	PART NUMBER	PART NAME	QUANTITY	REMARKS
1	6H4-41213-12-00	CAM, ACCEL.	1	
2	90387-06M63-00	COLLAR	1	
3	90387-06298-00	COLLAR	1	
4	97313-06040-00	BOLT, HEXAGON	1	
5	6H4-41632-00-00	LEVER, MAGNETO CONTROL 2	1	
6	90508-26M20-00	SPRING, TORSION	1	
7	6H4-41636-01-00	ROD, MAGNETO CONTROL	1	
8	682-41237-00-00	JOINT, LINK	1	
9	95380-05600-00	NUT	1	
10	6H4-41631-01-00	LEVER, MAGNETO CONTRL 2	1	
11	97313-06025-00	BOLT	1	
12	90387-06M02-00	COLLAR	1	
13	90387-06298-00	COLLAR	2	
14	90157-06M13-00	SCREW, PAN HEAD	2	
15	95380-06600-00	NUT, HEXAGON	2	
16	6H3-41238-00-00	JOINT, LINK	1	
17	688-44194-00-00	CAP	2	
18	6H4-44111-00-00	HANDLE, GEAR SHIFT	1	
19	682-44132-00-00	BUSHING	1	
20	6H4-44121-02-00	LEVER, SHIFT ROD	1	
21	91690-30318-00	PIN, SPRING	1	
22	6H4-44116-00-00	SPRING	1	
23	682-44117-00-00	BRACKET	1	
24	97313-06016-00	BOLT, HEXAGON	1	
25	6H4-44125-01-00	LEVER, SHIFT ROD	1	
26	91690-30316-00	PIN, SPRING	1	
27	6F5-41662-00-00	BRACKET 2	1	
28	97313-06020-00	BOLT, HEXAGON	2	
29	92990-06600-00	WASHER, PLATE	2	
30	6H4-44143-00-00	ROD, SHIFT	1	
31	91790-05020-00	PIN, CLEVIS	1	
32	92990-05600-00	WASHER, PLATE	1	
33	91490-16010-00	PIN. COTTER	1	
34	648-44146-00-00	CONNECTOR, SHIFT ROD	1	
35	6H4-41633-01-00	LEVER, MAGNETO CONTROL	1	
36	97313-05020-00	BOLT, HEXAGON	1	
37	92990-05600-00	WASHER, PLATE	1	
38	90113-05M05-00	BOLT, SET	1	
39	95303-05700-00	.NUT	1	
40	663-48344-00-00	.CABLE END, REMOTE CONTROL	1	
41	90468-18008-00	CLIP	1	
42	90170-07021-00	NUT	1	

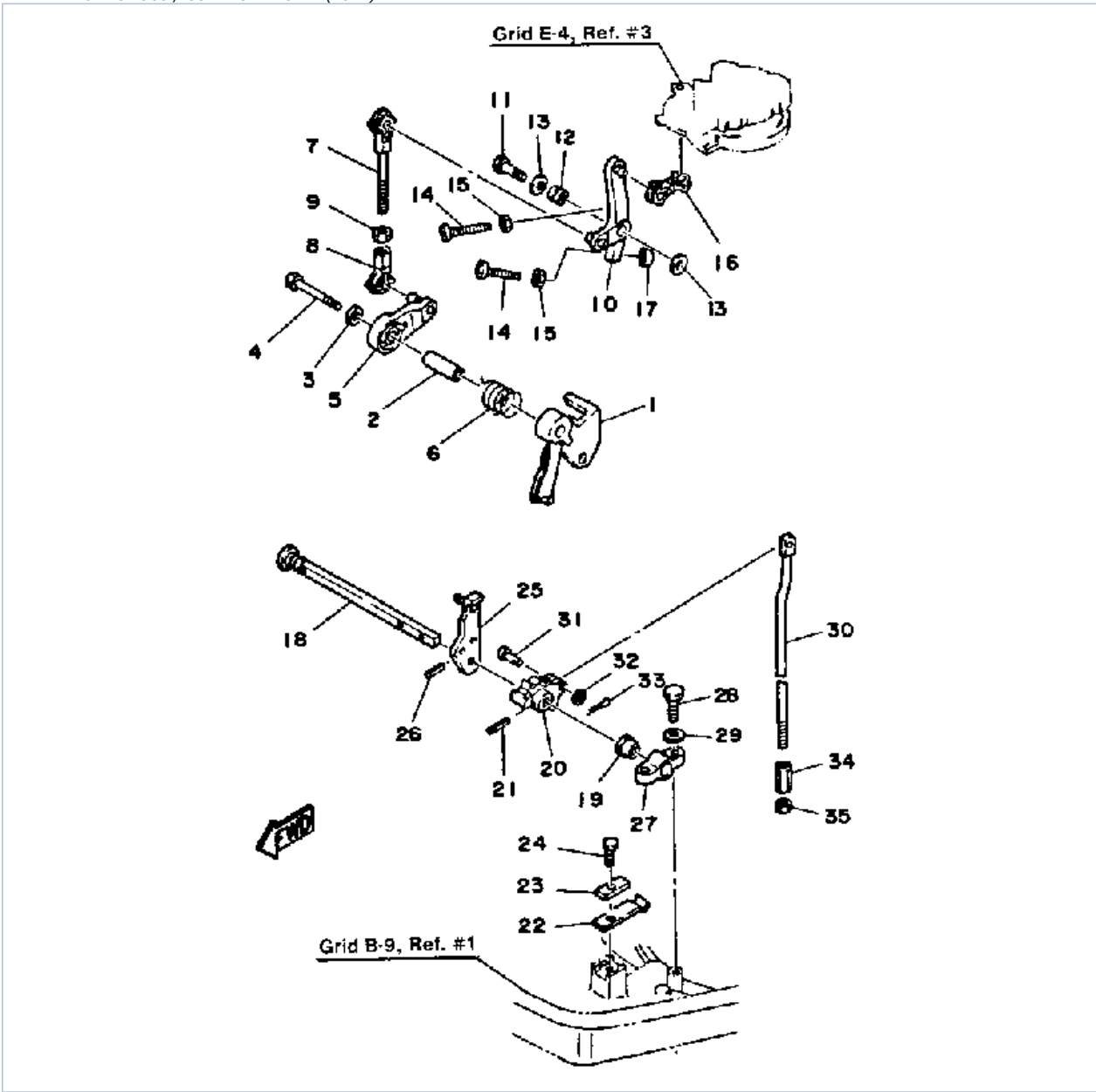
## Part Notes

40ETLJ 1986 / CONTROL ENGINE

PART NUMBER	NOTE TEXT
92990-06600-00 	OEM: This part number is among the Top 100 Most Popular Marine Maintenance Parts as of March 2014.
90468-18008-00 	OEM: This part number is among the Top 100 Most Popular Marine Maintenance Parts as of March 2014.

©2014 Yamaha Motor Corporation, U.S.A. All rights reserved.

40ETLJ 1986 / CONTROL ENGINE (40ET)



©2014 Yamaha Motor Corporation, U.S.A. All rights reserved.




## Part List

40ETLJ 1986 / CONTROL ENGINE (40ET)

REF - NO	PART NUMBER	PART NAME	QUANTITY	REMARKS
1	6H4-41213-02-00	CAM, ACCEL. (K)	1	
2	90387-06M63-00	COLLAR	1	
3	90387-06298-00	COLLAR	1	
4	97313-06040-00	BOLT, HEXAGON	1	
5	6H4-41632-00-00	LEVER, MAGNETO CONTROL 2	1	
6	90508-26M20-00	SPRING, TORSION	1	
7	6H4-41636-01-00	ROD, MAGNETO CONTROL	1	
8	682-41237-00-00	JOINT, LINK	1	
9	95380-05600-00	NUT	1	
10	6H4-41631-01-00	LEVER, MAGNETO CONTRL 2	1	
11	97313-06025-00	BOLT	1	
12	90387-06M02-00	COLLAR	1	
13	90387-06298-00	COLLAR	2	
14	90157-06M13-00	SCREW, PAN HEAD	2	
15	95380-06600-00	NUT, HEXAGON	2	
16	6H3-41238-00-00	JOINT, LINK	1	
17	688-44194-00-00	CAP	2	
18	6H4-44111-10-00	HANDLE, GEAR SHIFT	1	
19	682-44132-00-00	BUSHING	1	
20	6H4-44121-02-00	LEVER, SHIFT ROD	1	
21	91690-30318-00	PIN, SPRING	1	
22	6H4-44116-00-00	SPRING	1	
23	682-44117-00-00	BRACKET	1	
24	97313-06016-00	BOLT, HEXAGON	1	
25	6H4-44125-01-00	LEVER, SHIFT ROD	1	
26	91690-30316-00	PIN, SPRING	1	
27	6F5-41662-00-00	BRACKET 2	1	
28	97313-06020-00	BOLT, HEXAGON	2	
29	92990-06600-00	WASHER, PLATE	2	
30	6H4-44143-00-00	ROD, SHIFT	1	
31	91790-05020-00	PIN, CLEVIS	1	
32	92990-05600-00	WASHER, PLATE	1	
33	91490-16010-00	PIN. COTTER	1	
34	648-44146-00-00	CONNECTOR, SHIFT ROD	1	
35	90170-07021-00	NUT	1	

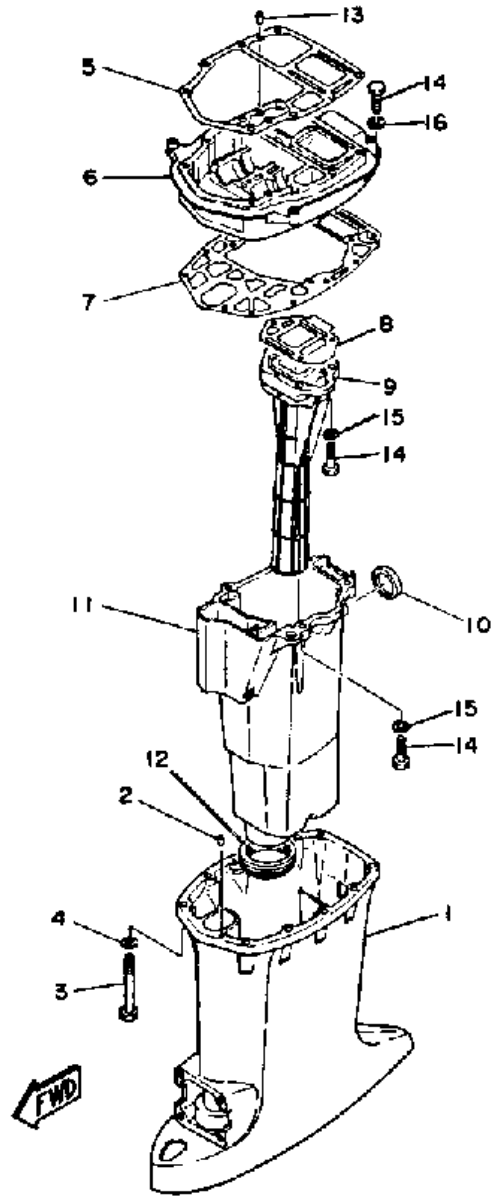
## Part Notes

40ETLJ 1986 / CONTROL ENGINE (40ET)

PART NUMBER	NOTE TEXT
92990-06600-00 	OEM: This part number is among the Top 100 Most Popular Marine Maintenance Parts as of March 2014.

©2014 Yamaha Motor Corporation, U.S.A. All rights reserved.

40ETLJ 1986 / UPPER CASING



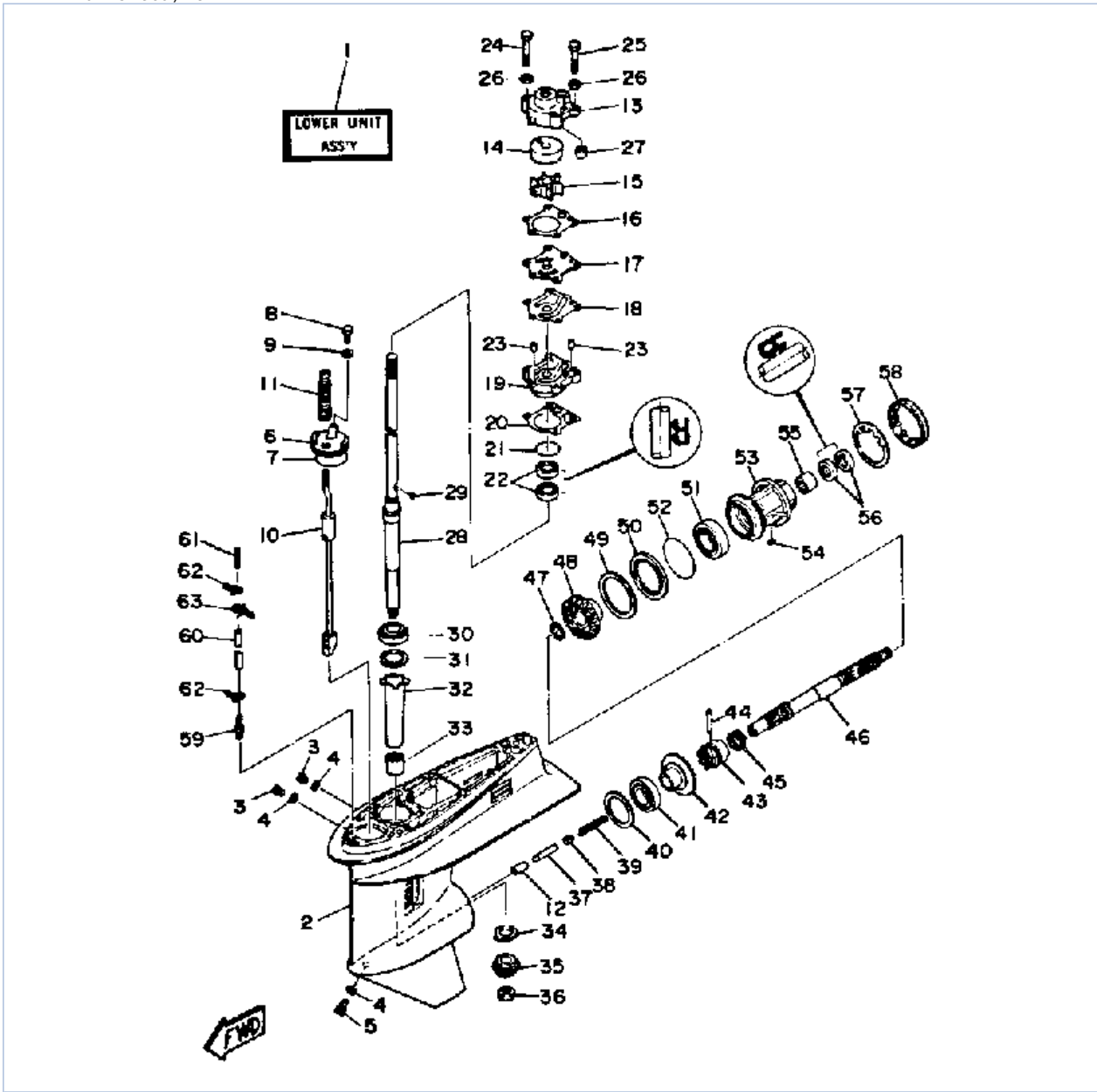
©2014 Yamaha Motor Corporation, U.S.A. All rights reserved.

## Part List

40ETLJ 1986 / UPPER CASING

REF - NO	PART NUMBER	PART NAME	QUANTITY	REMARKS
1	6H4-45111-00-EK	CASING, UPPER	1	U.R. SHORT
1	6H4-45111-10-EK	CASING, UPPER	1	U.R. LONG
2	93606-12019-00	.PIN, DOWEL	2	
3	97395-08080-00	BOLT, HEXAGON	8	
4	92990-08600-00	..WASHER, PLATE	8	
5	6H4-45113-A0-00	GASKET, UPPER CASING	1	
6	6H4-41137-00-94	GUIDE, EXHAUST	1	
7	6H4-45114-A1-00	GASKET, UPPER CASING	1	
8	6H4-41134-A0-00	GASKET, EXHAUST MANIFOLD	1	
9	6H4-41131-00-5B	EXHAUST MANIFOLD1	1	
10	6H4-41133-00-00	GASKET, EXHAUST MANIFOLD 1	1	
11	6H4-14711-10-5B	MUFFLER 1	1	U.R. LONG
11	6H4-14711-00-5B	MUFFLER 1	1	U.R. SHORT
12	663-45123-00-00	GASKET, MUFFLER	1	
13	93606-12019-00	.PIN, DOWEL	2	
14	97395-08030-00	BOLT	9	
15	92990-08600-00	..WASHER, PLATE	7	
16	92990-08100-00	WASHER, SPRING	2	

40ETLJ 1986 / LOWER DRIVE 1



©2014 Yamaha Motor Corporation, U.S.A. All rights reserved.

## Part List




40ETLJ 1986 / LOWER DRIVE 1

REF - NO	PART NUMBER	PART NAME	QUANTITY	REMARKS
1	6H4-45300-02-EK	LOWER UNIT ASSEMBLY	1	U.R. SHORT
1	6H4-45300-12-EK	LOWER UNIT ASSEMBLY	1	U.R. LONG
2	6H4-45301-01-EK	LOWER CASING	1	
3	90340-08M04-00	PLUG, STRAIGHT SCREW	2	
4	90430-08020-00	.GASKET	3	
5	688-45341-00-00	PLUG, DRAIN	1	
6	6H4-45321-01-00	PLATE	1	
7	93210-49046-00	.O-RING	1	
8	97395-06016-00	BOLT, HEX	1	
9	92990-06600-00	WASHER, PLATE	1	
10	6H4-44150-01-00	SHIFT CAM ASSEMBLY	1	U.R. SHORT
10	6H4-44150-12-00	SHIFT CAM ASSEMBLY	1	U.R. LONG
11	6G1-44147-00-00	.BOOT, SHIFT ROD	1	
12	6H4-44160-00-00	DETENT COMP.	1	
13	663-44311-02-00	HOUSING, WATER PUMP	1	
14	663-44322-00-00	.INSERT, CARTRIDGE	1	
15	6H4-44352-02-00	.IMPELLER	1	
16	663-44315-00-00	GASKET, WATER PUMP	1	
17	663-44323-00-00	OUTER PLATE, CARTIDGE	1	
18	663-44324-00-00	OIL SEAL	1	
19	663-44341-00-94	HOUSING, WATER PUMP	1	
20	663-44316-00-00	GASKET, WATER PUMP	1	
21	93210-41042-00	O-RING	1	
22	93101-23070-00	.OIL SEAL	2	
23	93604-08062-00	PIN, DOWEL	2	
24	97395-08055-00	BOLT	2	
25	97395-08045-00	BOLT	2	
26	92990-08600-00	..WASHER, PLATE	4	
27	663-44366-00-00	.DAMPER, WATER SEAL 2	1	
28	6H4-45501-00-00	DRIVE SHAFT COMP.	1	U.R. SHORT
28	6H4-45501-10-00	DRIVE SHAFT COMP.	1	U.R. LONG
29	90280-03024-00	.KEY, WOODRUFF	1	
30	93332-00001-00	BEARING	1	
31	663-45587-01-12	SHIM (T:0.12MM)	1	U.R.
31	663-45587-01-30	SHIM (T:0.30MM)	1	U.R.
31	663-45587-01-50	SHIM (T:0.50MM)	1	U.R.
31	663-45587-00-05	SHIM 3 (0.05MM)	1	U.R.
31	663-45587-00-08	SHIM 3 (0.08MM)	1	U.R.
32	6H4-45536-00-00	SLEEVE, DRIVE SHAFT	1	
33	93315-32224-00	BEARING	1	
34	663-45552-00-00	BEARING, PLAIN	1	
35	6H4-45551-00-00	PINION	1	
36	90170-12138-00	NUT	1	
37	676-45635-00-00	PLUNGER, SHIFT	1	
38	663-45634-00-00	SLIDE, SHIFT	1	
39	90501-16M01-00	SPRING, COMPRESSION	1	
40	6H4-45567-01-12	SHIM (T:0.12MM)	1	U.R.
40	6H4-45567-01-30	SHIM (T:0.30MM)	1	U.R.
40	6H4-45567-01-50	SHIM (T:0.50MM)	1	U.R.
40	6H4-45567-00-05	SHIM (0.05MM)	1	U.R.
40	6H4-45567-00-08	SHIM (0.08MM)	1	U.R.
41	93332-000V4-00	BEARING	1	
42	6H4-45560-00-00	GEAR	1	

43	6H4-45631-00-00	CLUTCH, DOG	1	
44	90250-06023-00	PIN, STRAIGHT	1	
45	663-45633-00-00	RING, CROSS PIN	1	
46	679-45611-01-00	SHAFT, PROPELLER	1	
47	90201-22429-00	WASHER, PLATE	1	
48	6H4-45571-00-00	GEAR	1	
49	663-45577-01-12	SHIM (T:0.12MM)	1	U.R.
49	663-45577-01-30	SHIM (T:0.30MM)	1	U.R.
49	663-45577-01-50	SHIM (T:0.50MM)	1	U.R.
49	663-45577-00-05	SHIM (0.05MM)	1	U.R.
49	663-45577-00-08	SHIM (0.08MM)	1	U.R.
50	663-45576-00-00	WASHER, THRUST	1	
51	93306-00702-00	BEARING	1	
52	93210-66M98-00	O-RING	1	
53	679-45331-00-94	HOUSING, BEARING	1	
54	90282-04010-00	KEY, STRAIGHT	1	
55	93317-22204-00	BEARING	1	
56	93101-22067-00	.OIL SEAL	2	
57	90214-48M03-00	WASHER, CLAW	1	
58	697-45384-00-00	NUT	1	
59	6E5-45378-00-00	NIPPLE, HOSE	1	
60	90445-07M31-00	HOSE (L200)	1	
61	6E5-83558-00-00	END, NIPPLE	1	
62	90465-11M10-00	CLAMP	2	
63	90465-11M10-00	CLAMP	1	

## Part Notes

40ETLJ 1986 / LOWER DRIVE 1

PART NUMBER		NOTE TEXT
90430-08020-00		OEM: This part number is among the Top 100 Most Popular Marine Maintenance Parts as of March 2014.
92990-06600-00		OEM: This part number is among the Top 100 Most Popular Marine Maintenance Parts as of March 2014.
6H4-44352-02-00		OEM: This part number is among the Top 100 Most Popular Marine Maintenance Parts as of March 2014.

©2014 Yamaha Motor Corporation, U.S.A. All rights reserved.




## Part List

40ETLJ 1986 / LOWER DRIVE 2

REF - NO	PART NUMBER	PART NAME	QUANTITY	REMARKS
1	688-45375-00-00	DAMPER, SEAL	1	
2	663-45376-00-94	GUIDE, SEAL DAMPER	1	
3	688-45214-02-00	COVER, WATER INLET 1	1	
4	688-45215-02-00	COVER, WATER INLET 2	1	
5	98680-05535-00	SCREW, OVAL HEAD	1	
6	90185-05002-00	NUT, NYLON	1	
7	664-45371-01-00	TAB-TRIM	1	
8	97375-08075-00	BOLT	1	
9	92990-08100-00	WASHER, SPRING	1	
10	92990-08600-00	..WASHER, PLATE	1	
11	95380-08600-00	NUT	1	
12	93606-12019-00	.PIN, DOWEL	2	
13	97395-10040-00	BOLT	4	
14	92990-10100-00	WASHER, SPRING	4	
15	92990-10600-00	WASHER, PLATE	4	
16	97395-10040-00	BOLT	1	
17	92990-08100-00	WASHER, SPRING	1	
18	92990-08600-00	..WASHER, PLATE	1	
19	90202-12060-00	WASHER, PLATE	1	
20	6H4-44361-00-00	TUBE, WATER	1	U.R. SHORT
20	6H4-44361-10-00	TUBE, WATER	1	U.R. LONG
21	90430-12072-00	GASKET	1	
22	663-44367-00-00	DAMPER, WATER SEAL 3	1	
23	663-45987-02-00	SPACER 1	1	
24	670-45997-02-00	SPACER	1	
25	92990-16200-00	WASHER, PLAIN	1	
26	90171-16011-00	NUT, CASTLE	1	
27	91490-30030-00	PIN, COTTER	1	
28	663-45976-00-98	PROPELLER (3X10-1/4"X15"-G)	1	U.R.
28	663-45978-00-98	PROPELLER (3X10-1/4"X16"-G)	1	U.R.
28	663-45930-00-98	PROPELLER (3X10-1/4"X14"-G)	1	U.R.
28	663-45981-10-00	DAMPER, RUBBER PROP	1	
28	663-45949-01-EL	PROPELLER (3X10-3/4"X16"-G)	1	U.R.
28	663-45947-02-EL	PROPELLER (3X11-5/8"X11"-G)	1	U.R.
28	6H5-45945-00-EL	PROPELLER (3X10-5/8X12"-G)	1	U.R.
28	6H5-45943-00-EL	PROPELLER (3X10"X15"-G)	1	U.R.
28	663-45941-01-EL	PROPELLER (3X10-3/4"X17"-G)	1	U.R.
28	663-45974-60-98	PROPELLER (3X11-1/2"X13"-G)	1	U.R.
28	663-45972-60-98	PROPELLER (3X12"X11"-G)	1	
28	663-45986-00-94	RING, DEFLECTOR	1	

## Part Notes

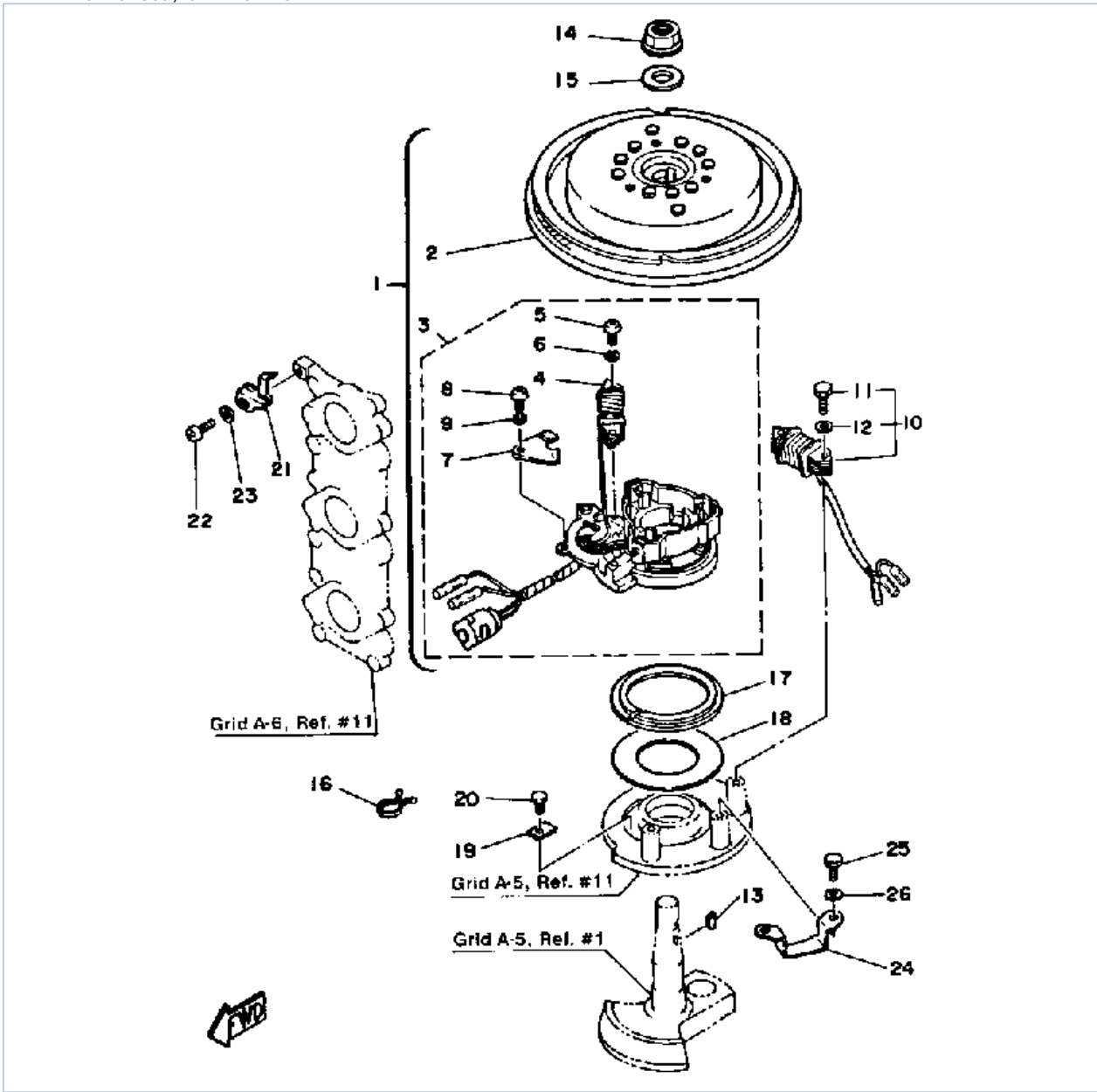
40ETLJ 1986 / LOWER DRIVE 2

PART NUMBER	NOTE TEXT
92990-10600-00 	OEM: This part number is among the Top 100 Most Popular Marine Maintenance Parts as of March 2014.

©2014 Yamaha Motor Corporation, U.S.A. All rights reserved.



40ETLJ 1986 / CDI MAGNETO



©2014 Yamaha Motor Corporation, U.S.A. All rights reserved.



## Part List

40ETLJ 1986 / CDI MAGNETO

REF - NO	PART NUMBER	PART NAME	QUANTITY	REMARKS
1	UNA-VAILA-BL-EI	TOOL	1	
2	6H4-85550-F0-00	ROTOR ASSEMBLY	1	
3	6H4-85510-F0-00	STATOR ASSEMBLY	1	
4	6H4-85520-00-00	COIL, CHARGE	1	
5	98580-06020-00	SCREW, PAN HEAD	2	
6	92995-06100-00	WASHER, SPRING	2	
7	6H4-85548-00-00	.HOLDER	1	
8	(97802-05008-00)	SCREW, PAN HEAD	1	
9	92990-05100-00	.WASHER, SPRING	1	
10	6H4-81303-A0-00	LIGHTING COIL ASSEMBLY	1	
11	97313-06025-00	BOLT	2	
12	92990-06600-00	WASHER, PLATE	2	
13	90280-05049-00	KEY, WOODRUFF	1	
14	90179-16M05-00	NUT	1	
15	90201-16M44-00	WASHER, PLATE	1	
16	90465-18147-00	CLAMP	3	
17	6H4-41611-10-00	RETAINER, MAGNETO BASE	1	
18	6H4-41618-01-00	WASHER, MAGETO 1	1	
19	6H4-41612-01-00	RETAINER, MAGNETO BASE	3	
20	97313-06020-00	BOLT, HEXAGON	3	
21	6H4-81332-00-00	PLATE, TIMING	1	
22	98580-05010-00	.SCREW, PAN HEAD	1	
23	92990-05600-00	WASHER, PLATE	1	
24	6H4-41613-00-00	BASE FRICTION PLAT	1	
25	97013-06012-00	BOLT	2	
26	92990-06600-00	WASHER, PLATE	2	

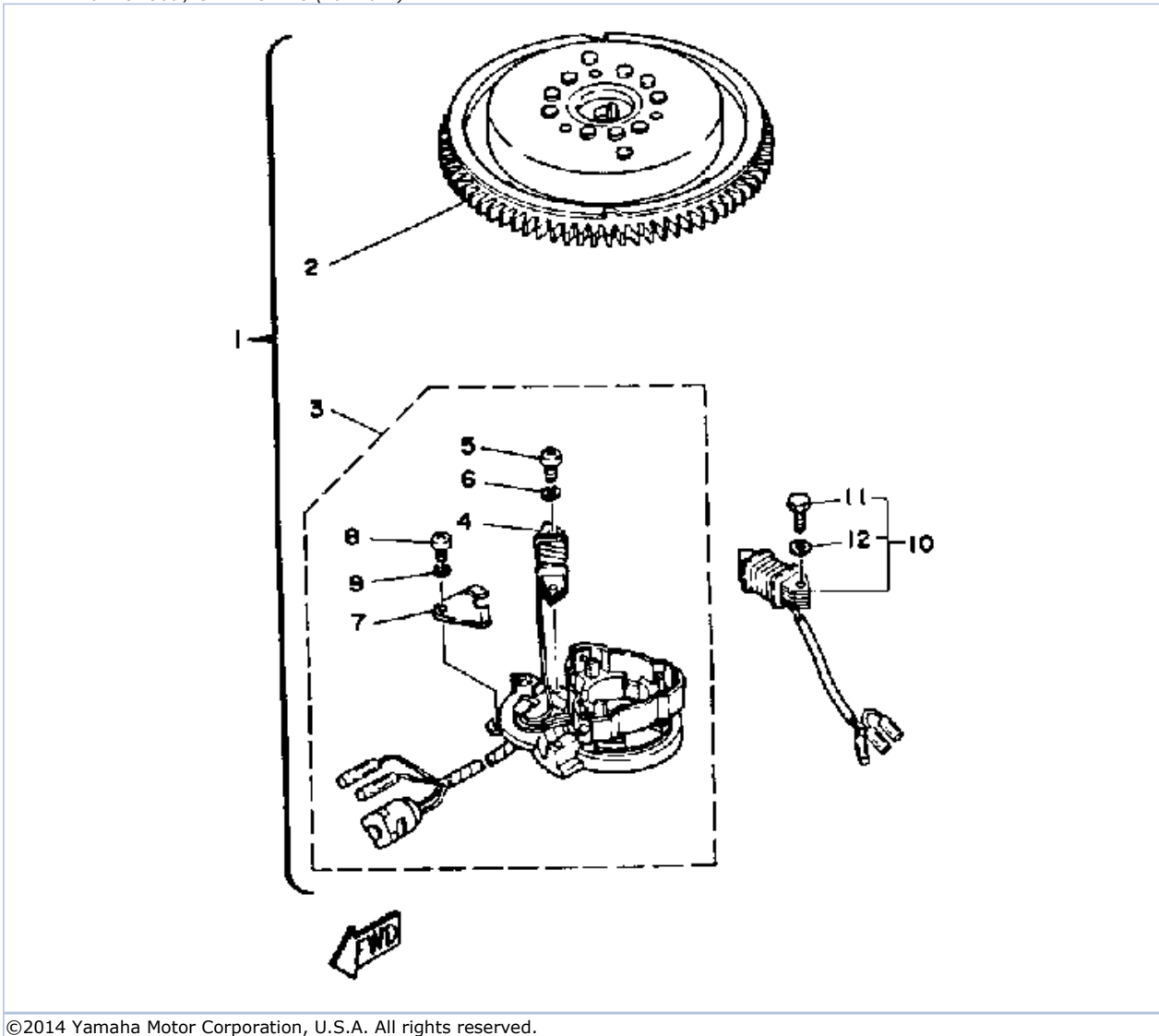
## Part Notes

40ETLJ 1986 / CDI MAGNETO

PART NUMBER	NOTE TEXT
92990-06600-00 	OEM: This part number is among the Top 100 Most Popular Marine Maintenance Parts as of March 2014.
92990-06600-00 	OEM: This part number is among the Top 100 Most Popular Marine Maintenance Parts as of March 2014.

©2014 Yamaha Motor Corporation, U.S.A. All rights reserved.

40ETLJ 1986 / CDI MAGNETO (40E 40ET)



©2014 Yamaha Motor Corporation, U.S.A. All rights reserved.


## Part List

40ETLJ 1986 / CDI MAGNETO (40E 40ET)

REF - NO	PART NUMBER	PART NAME	QUANTITY	REMARKS
1	UNA-VAILA-BL-EI	TOOL	1	
2	6H4-85550-A0-00	ROTOR ASSEMBLY	1	
3	6H4-85510-F0-00	STATOR ASSEMBLY	1	
4	6H4-85520-00-00	COIL, CHARGE	1	
5	98580-06020-00	SCREW, PAN HEAD	2	
6	92995-06100-00	WASHER, SPRING	2	
7	6H4-85548-00-00	.HOLDER	1	
8	(97802-05008-00)	SCREW, PAN HEAD	1	
9	92990-05100-00	.WASHER, SPRING	1	
10	6H4-81303-A0-00	LIGHTING COIL ASSEMBLY	1	
11	97313-06025-00	BOLT	2	
12	92990-06600-00	WASHER, PLATE	2	

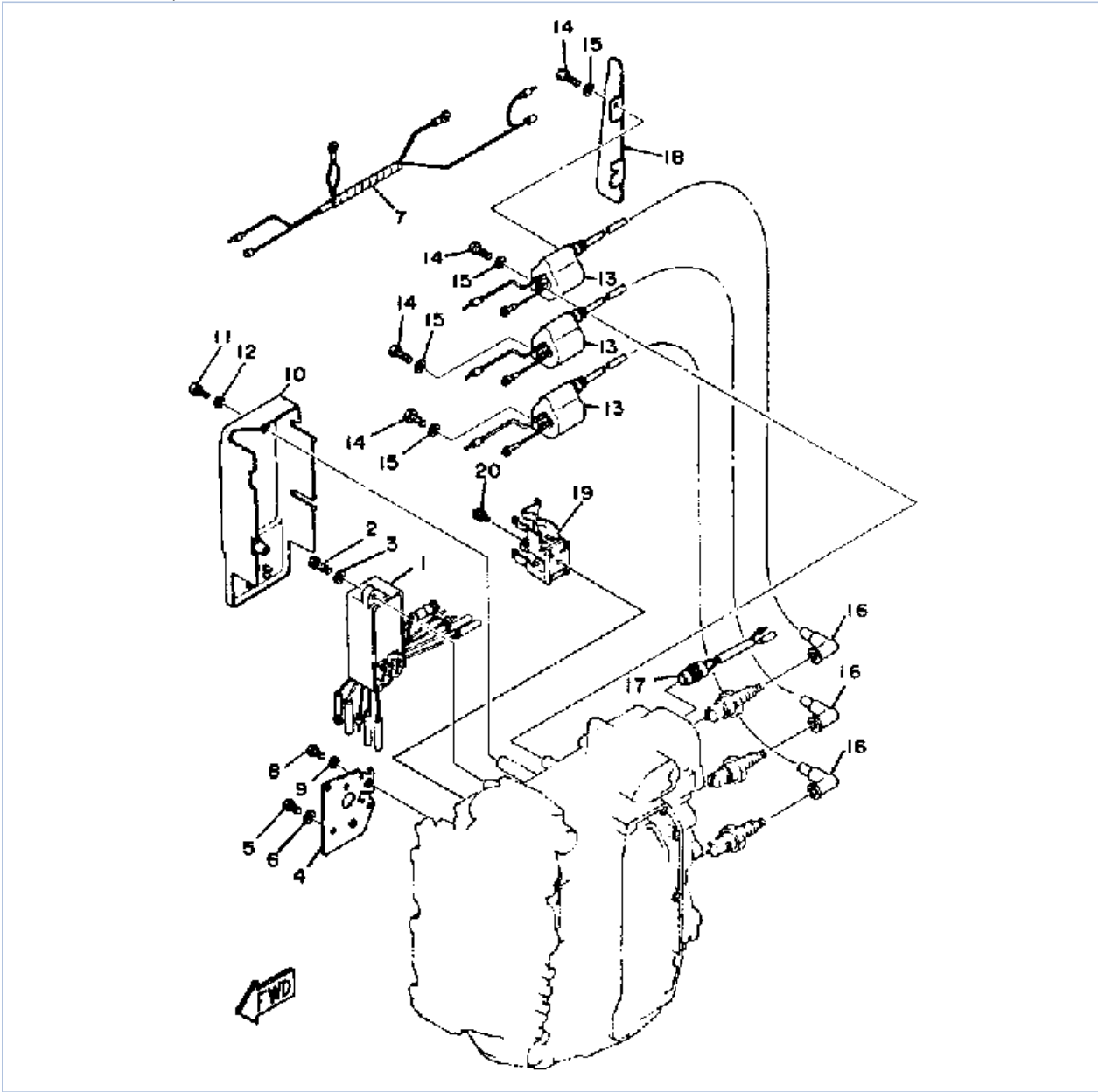
## Part Notes

40ETLJ 1986 / CDI MAGNETO (40E 40ET)

PART NUMBER	NOTE TEXT
92990-06600-00 	OEM: This part number is among the Top 100 Most Popular Marine Maintenance Parts as of March 2014.

©2014 Yamaha Motor Corporation, U.S.A. All rights reserved.

40ETLJ 1986 / ELECTRIC PARTS



©2014 Yamaha Motor Corporation, U.S.A. All rights reserved.






## Part List

40ETLJ 1986 / ELECTRIC PARTS

REF - NO	PART NUMBER	PART NAME	QUANTITY	REMARKS
1	6H4-85540-21-00	CDI UNIT ASSEMBLY	1	
2	97313-06025-00	BOLT	2	
3	92990-06600-00	WASHER, PLATE	2	
4	6H4-81975-00-00	PLATE, RECTIFR FTNG	1	
5	97013-06012-00	BOLT	3	
6	92990-06600-00	WASHER, PLATE	3	
7	6H4-82531-01-00	WIRE, LEAD	1	
8	97013-06012-00	BOLT	1	
9	92990-06600-00	WASHER, PLATE	1	
10	6H4-81916-00-00	COVER, TERMINAL	1	
11	98580-06025-00	SCREW, PAN HEAD	2	
12	92990-06600-00	WASHER, PLATE	2	
13	6H4-85570-20-00	IGNITION COIL ASSEMBLY	3	
14	97313-06020-00	BOLT, HEXAGON	6	
15	92990-06600-00	WASHER, PLATE	6	
16	663-82370-01-00	PLUG CAP ASSY	3	
17	689-82560-00-00	THERMO SWITCH ASSEMBLY	1	
18	6H4-14477-00-00	PLATE	1	
19	6H4-82522-00-00	CLAMP, COUPLER (6H4-82552-00)	1	
20	(90159-06M07-00)	SCREW, WITH WASHER	1	

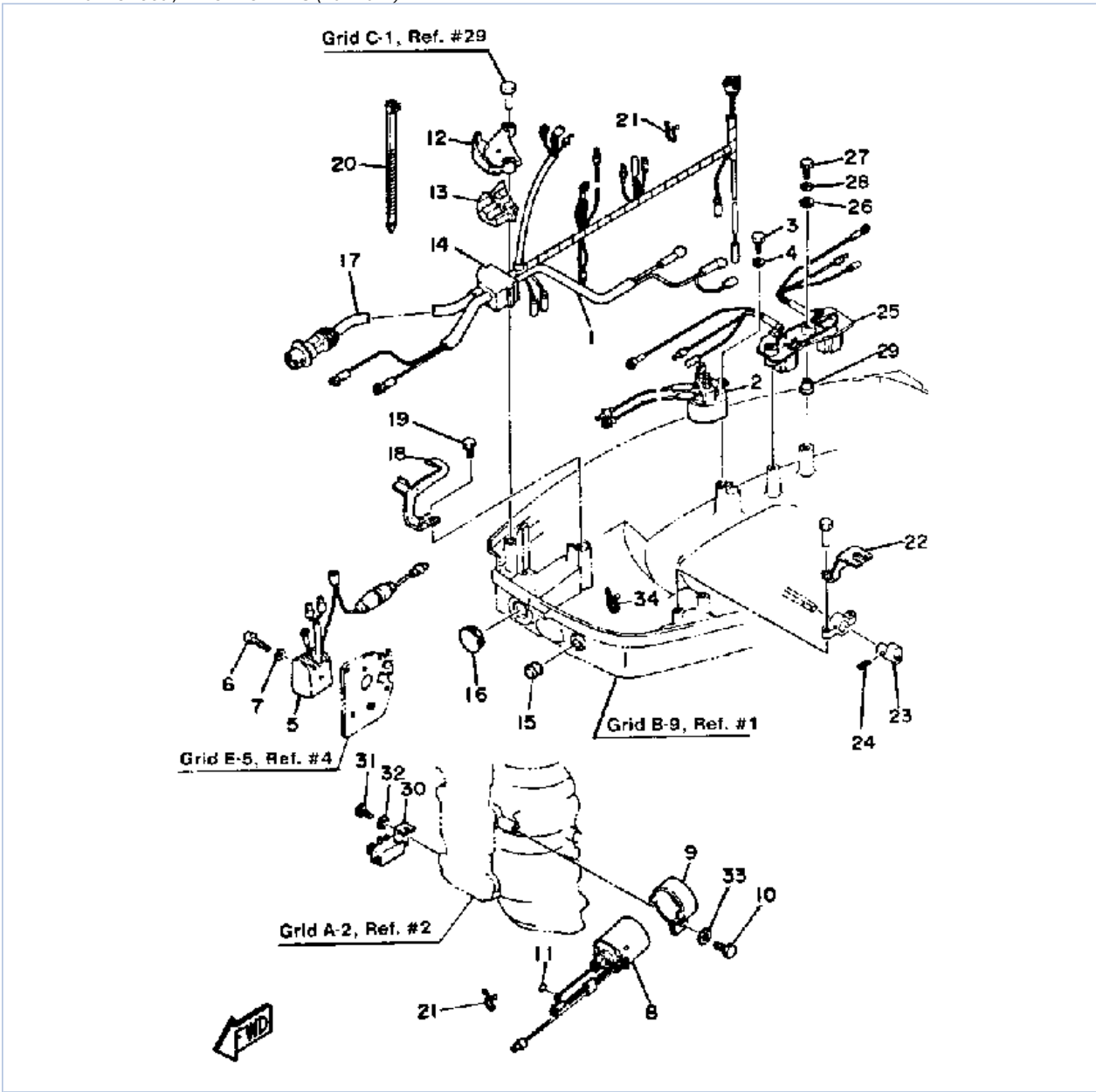
## Part Notes

40ETLJ 1986 / ELECTRIC PARTS

PART NUMBER		NOTE TEXT
92990-06600-00		OEM: This part number is among the Top 100 Most Popular Marine Maintenance Parts as of March 2014.
92990-06600-00		OEM: This part number is among the Top 100 Most Popular Marine Maintenance Parts as of March 2014.
92990-06600-00		OEM: This part number is among the Top 100 Most Popular Marine Maintenance Parts as of March 2014.
92990-06600-00		OEM: This part number is among the Top 100 Most Popular Marine Maintenance Parts as of March 2014.
92990-06600-00		OEM: This part number is among the Top 100 Most Popular Marine Maintenance Parts as of March 2014.

©2014 Yamaha Motor Corporation, U.S.A. All rights reserved.

40ETLJ 1986 / ELECTRIC PARTS (40E 40ET)



©2014 Yamaha Motor Corporation, U.S.A. All rights reserved.





## Part List

40ETLJ 1986 / ELECTRIC PARTS (40E 40ET)

REF - NO	PART NUMBER	PART NAME	QUANTITY	REMARKS
1	6H4-82105-00-00	BATTERY CABLE	1	
2	688-81950-10-00	RELAY ASSY	1	
3	97313-06016-00	BOLT, HEXAGON	1	
4	92990-06600-00	WASHER, PLATE	1	
5	6G1-81970-61-00	RECTIFIER ASSY	1	
6	98503-05025-00	SCREW, PAN HEAD	1	
7	92990-05600-00	WASHER, PLATE	1	
8	6H4-86110-01-00	SOLENOID	1	
9	6H4-86112-00-00	STAY, SOLENOID	1	
10	97313-06016-00	BOLT, HEXAGON	1	
11	93210-03261-00	O-RING	1	
12	6H4-48531-10-94	BRACKET, REMOTE CONTROL 1	1	
13	6H4-48532-10-94	BRACKET, REMOTE CONTROL 2	1	
14	6H4-42724-20-00	GROMMET	1	
15	6H4-42725-00-00	GROMMET	1	
16	676-42726-00-00	GROMMET	1	
17	6H4-82590-20-00	WIRE HARNESS ASSEMBLY	1	
18	6H4-82588-00-00	PLATE	1	
19	97013-06012-00	BOLT	1	
20	437-83936-11-00	BAND, SWITCH CORD	1	
21	90465-18147-00	CLAMP	2	
22	6H4-82554-00-00	STAY, NEUTRAL SWITCH	1	
23	6H4-44173-01-00	LEVER, SHIFT CONTROL	1	
24	91690-30020-00	PIN, SPRING	1	
25	6H5-81950-10-00	RELAY ASSEMBLY	1	40ET MODEL
26	92990-06200-00	WASHER, PLAIN	2	40ET MODEL
27	97313-06025-00	BOLT	2	40ET MODEL
28	92990-06600-00	WASHER, PLATE	2	40ET MODEL
29	90387-06M70-00	COLLAR	2	40ET MODEL
30	6H5-81920-00-00	TERMINAL ASSY	1	40ET MODEL
31	97013-06012-00	BOLT	1	40ET MODEL
32	92990-06600-00	WASHER, PLATE	1	40ET MODEL
33	92990-06600-00	WASHER, PLATE	1	
34	90465-18147-00	CLAMP	1	

## Part Notes

40ETLJ 1986 / ELECTRIC PARTS (40E 40ET)

PART NUMBER	NOTE TEXT
92990-06600-00 	OEM: This part number is among the Top 100 Most Popular Marine Maintenance Parts as of March 2014.
92990-06600-00 	OEM: This part number is among the Top 100 Most Popular Marine Maintenance Parts as of March 2014.
92990-06600-00 	OEM: This part number is among the Top 100 Most Popular Marine Maintenance Parts as of March 2014.
92990-06600-00 	OEM: This part number is among the Top 100 Most Popular Marine Maintenance Parts as of March 2014.

©2014 Yamaha Motor Corporation, U.S.A. All rights reserved.






## Part List

40ETLJ 1986 / OIL PUMP

REF - NO	PART NUMBER	PART NAME	QUANTITY	REMARKS
1	6H4-13200-01-00	OIL PUMP ASSEMBLY	1	
2	6E5-13471-01-00	PLUG, DRAIN	1	
3	6E5-13475-00-00	GASKET	1	
4	6E5-14562-00-00	O-RING	1	
5	90109-06M22-00	BOLT	2	
6	90445-07M44-00	HOSE (L250)	1	
7	90445-07M23-00	HOSE (L408)	1	
8	90445-07MA6-00	HOSE (L90)	1	
9	90468-07M02-00	CLIP	3	
10	90468-07M02-00	CLIP	3	
11	6H4-41241-00-00	ROD 1	1	
12	6H1-41237-00-00	JOINT, LINK	1	
13	95380-05600-00	NUT	1	
14	6R5-41237-00-00	JOINT, LINK	1	
15	6H4-21707-01-00	OIL TANK	1	
16	6H4-21735-01-00	SEAL 2	1	
17	6H1-21744-10-00	BREATHER	1	
18	6H1-21773-00-00	GROMMET	1	
19	6H1-21771-01-00	BODY CAP	1	
20	6H1-21772-01-00	GASKET CAP	1	
21	6H1-24633-00-00	CHAIN, BALL	1	
22	6H1-21757-00-00	WASHER, SPECIAL 1	1	
23	6H1-24634-00-00	HOOK, CHAIN BALL	1	
24	6H1-24251-01-00	STRAINER 1	1	
25	90501-14M45-00	SPRING, COMPRESSION	1	
26	90445-09M37-00	HOSE (L240)	1	
27	90467-08004-00	CLIP	2	
28	6A0-82317-00-00	DAMPER, IGNITION COIL	3	
29	624-42542-00-00	PIPE	3	
30	90201-06050-00	WASHER, PLATE	3	
31	97313-06030-00	BOLT	3	
32	6H4-85720-11-00	OIL LVL GAUGE ASSEMBLY	1	
33	6H4-84301-01-00	PILOT LIGHT ASSEMBLY 1	1	
34	6H4-83589-00-00	GASKET	1	
35	98503-06014-00	SCREW, PAN HEAD	1	
36	92990-06600-00	WASHER, PLATE	1	
37	6H4-84342-00-00	SEAT, EMBLEM	1	
38	90465-18147-00	CLAMP	1	
39	90201-08M93-00	WASHER, PLATE	1	
40	93210-13595-00	O-RING	1	
41	90464-07M05-00	CLAMP	1	
42	90445-07M87-00	HOSE (L110)	3	
43	6E5-13132-00-00	JOINT	3	
44	90468-07M02-00	CLIP	6	
45	90386-03M59-00	BUSH, SPECL NYLON	1	
46	6H1-24217-00-00	COVER	1	

## Part Notes

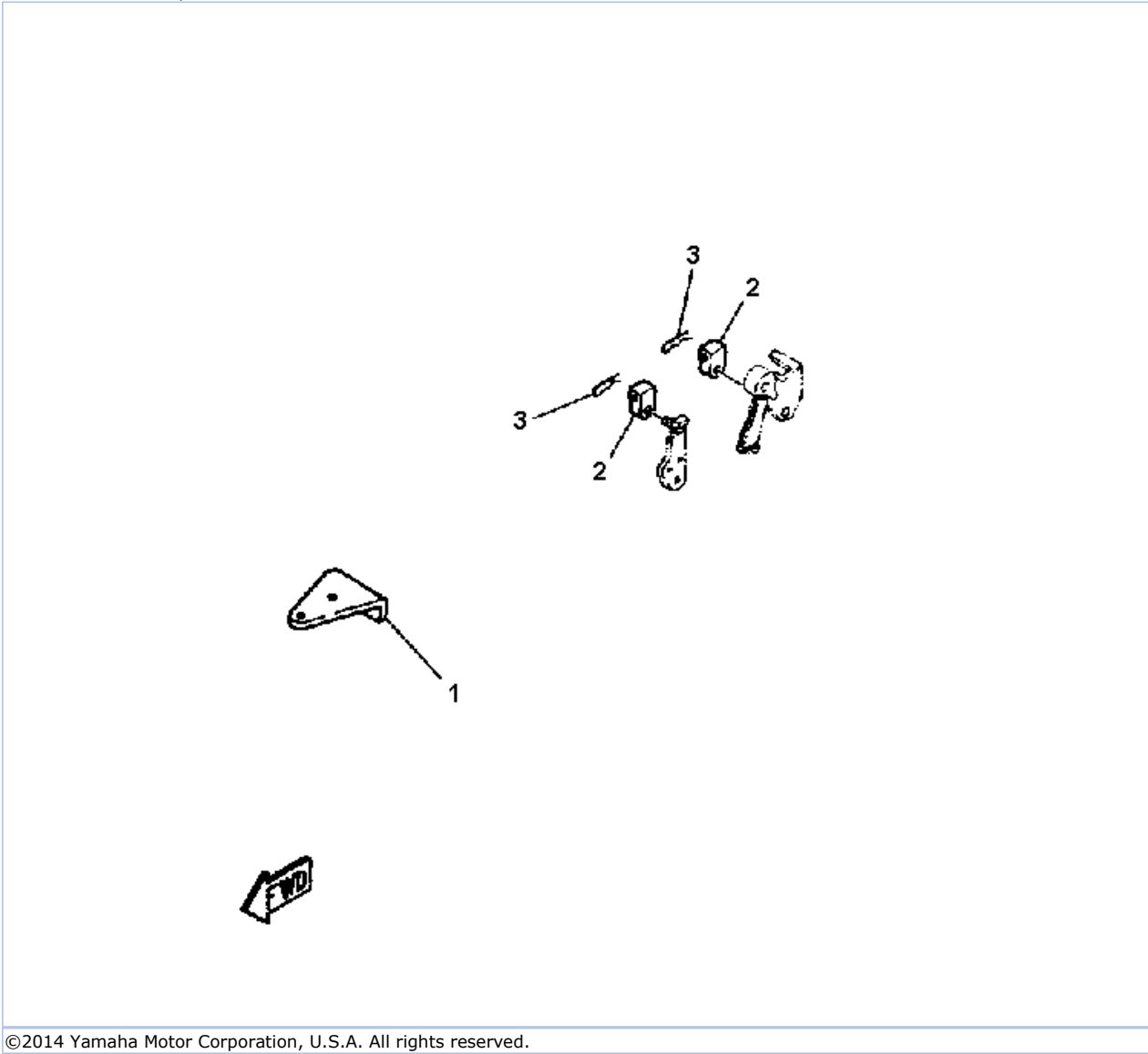
40ETLJ 1986 / OIL PUMP

PART NUMBER	NOTE TEXT
6H1-41237-00-00 	OEM: This part number is among the Top 100 Most Popular Marine Maintenance Parts as of March 2014.
92990-06600-00	OEM: This part number is among the Top 100 Most Popular Marine Maintenance Parts as of March 2014.



©2014 Yamaha Motor Corporation, U.S.A. All rights reserved.

40ETLJ 1986 / REMOTE CONTROL ATTACHMENT



©2014 Yamaha Motor Corporation, U.S.A. All rights reserved.


## Part List

40ETLJ 1986 / REMOTE CONTROL ATTACHMENT

REF - NO	PART NUMBER	PART NAME	QUANTITY	REMARKS
1	6H4-48511-51-EK	HOOK, STEERING	1	
2	6H4-48344-00-00	CABLE END, REMOTE CONTROL	2	
3	90468-18008-00	CLIP	2	

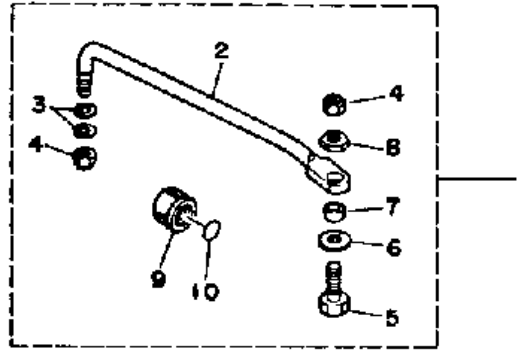
## Part Notes

40ETLJ 1986 / REMOTE CONTROL ATTACHMENT

PART NUMBER	NOTE TEXT
90468-18008-00 	OEM: This part number is among the Top 100 Most Popular Marine Maintenance Parts as of March 2014.

©2014 Yamaha Motor Corporation, U.S.A. All rights reserved.

40ETLJ 1986 / STEERING GUIDE ATTACHMENT



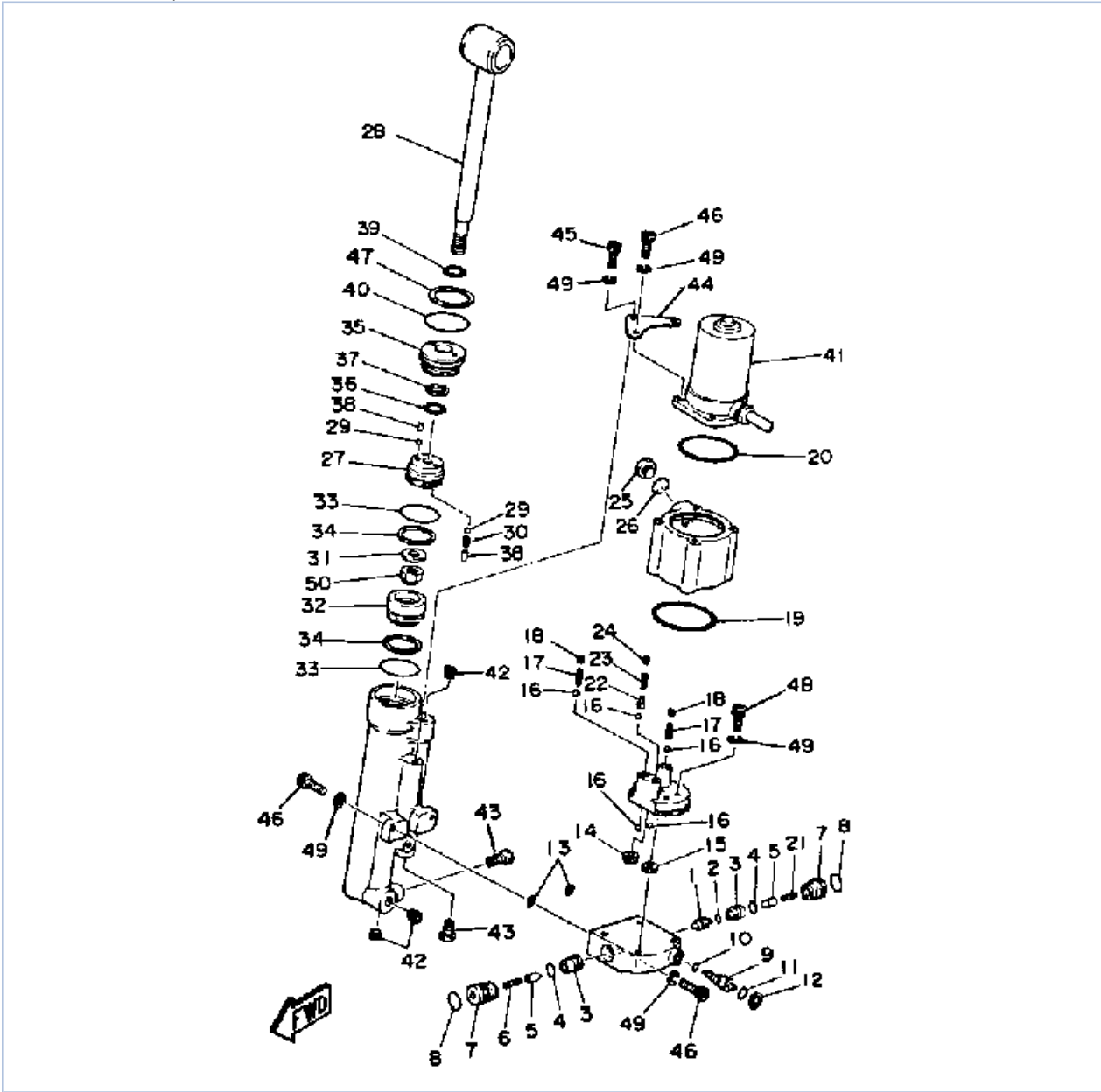
©2014 Yamaha Motor Corporation, U.S.A. All rights reserved.

## Part List

40ETLJ 1986 / STEERING GUIDE ATTACHMENT

REF - NO	PART NUMBER	PART NAME	QUANTITY	REMARKS
1	689-61350-02-00	STEERING GUIDE ATTACHMENT KIT	1	
2	689-61351-01-00	.ROD, STEERING LINK	1	
3	90201-10M20-00	.WASHER, PLATE	2	
4	90185-09M01-00	.NUT, SELF-LOCKING	2	
5	6E5-61355-00-00	.BOLT	1	
6	90201-10M63-00	.WASHER, PLATE	1	
7	90387-10M42-00	.COLLAR	1	
8	90170-09M03-00	.NUT	1	
9	6E5-43145-00-00	CAP, CLAMP BRACKET	1	
10	93210-16716-00	O-RING	1	

40ETLJ 1986 / POWER TRIM TILT ASSY



©2014 Yamaha Motor Corporation, U.S.A. All rights reserved.

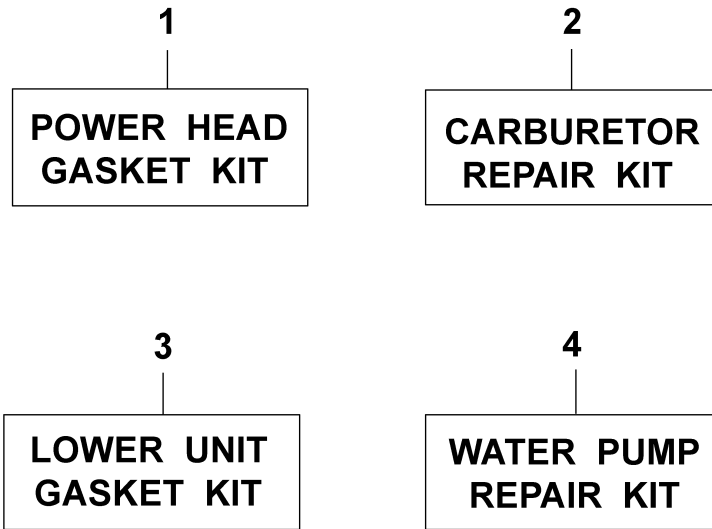


## Part List

40ETLJ 1986 / POWER TRIM TILT ASSY

REF - NO	PART NUMBER	PART NAME	QUANTITY	REMARKS
1	6H5-43841-00-00	PISTON, SHUTTLE	1	
2	6H5-43861-00-00	O-RING	1	
3	6H5-43891-00-00	BUSHING 1	2	
4	6H5-43862-00-00	O-RING	2	
5	6H5-43849-00-00	PIN, VALVE SUPPORT	2	
6	6H5-43853-00-00	SPRING, MAIN VALVE	1	
7	6H5-4382E-00-00	ADAPTOR 2	2	
8	6H5-43863-00-00	O-RING	2	
9	6H5-43846-02-00	SCREW, MANUAL VALVE SEAT	1	
10	6H5-43864-00-00	O-RING	1	
11	6H5-43865-00-00	O-RING	1	
12	6H5-43875-00-00	RING, SNAP	1	
13	6H5-43866-00-00	O-RING	2	
14	6H5-43837-00-00	GEAR, DRIVEN	1	
15	6H5-43836-00-00	GEAR, DRIVE	1	
16	6H5-43858-10-00	BALL	5	
17	6H5-43856-00-00	SPRING, DOWN RELIEF	2	
18	6H5-43844-00-00	PIN, VALVE SUPPORT	2	
19	6H5-43867-00-00	O-RING	1	
20	6H5-43868-00-00	O-RING	1	
21	6H5-43840-04-EK	POWER TILT ASSEMBLY	1	
21	6H5-43853-10-00	SPRING, MAIN VALVE	1	
22	6H5-43859-00-00	PIN, VALVE SUPPORT	6	
23	6H5-43855-01-00	SPRING, UP RELIEF	1	
24	6H5-4386F-00-00	RING, STRAIGHT	1	
25	6H5-43829-00-00	PLUG, RESERVOIR	1	
26	6H5-43865-00-00	O-RING	1	
27	6H5-4385A-00-00	PISTON, TILT	1	
28	6H5-43801-00-00	ROD	1	
29	6H5-43858-00-00	BALL	5	
30	6H5-43857-00-00	SPRING, ABSORBER VALVE	5	
31	6H5-43893-00-00	WASHER	1	
32	6H5-43814-00-00	PISTON, FREE	1	
33	6H5-43883-00-00	O-RING	2	
34	6H5-43871-00-00	RING, BACK UP	2	
35	6H5-4381E-00-00	BRACKET	1	
36	6H5-43896-00-00	O-RING	1	
37	6H5-43873-00-00	RING, BACK UP	1	
38	6H5-4381A-00-00	SHAFT	5	
39	6H5-43812-00-00	SEAL, DUST	1	
40	6H5-43897-00-00	O-RING	1	
41	6H5-43880-01-00	MOTOR ASSEMBLY	1	
42	6H5-43826-00-00	PLUG, TAPER SCREW	3	
43	6H5-43811-00-00	SCREW, CYLINDER END	2	
44	6H5-4381F-00-00	BRACKET	1	
45	6H5-43887-00-00	BOLT, THROUGH	4	
46	6H5-43886-00-00	BOLT	4	
47	6H5-43872-00-00	RING, BACK UP	3	
48	91316-06020-00	BOLT	4	
49	92995-06100-00	WASHER, SPRING	12	
50	95600-12100-00	NUT, U	1	

40ETLJ 1986 / REPAIR KIT



©2014 Yamaha Motor Corporation, U.S.A. All rights reserved.

## Part List

40ETLJ 1986 / REPAIR KIT

REF - NO	PART NUMBER	PART NAME	QUANTITY	REMARKS
1	6H4-W0001-01-00	POWERHEAD GASKET KIT	1	
2	6H4-W0093-01-00	CARBURETOR REPAIR KIT	1	
3	6H4-W0001-20-00	LOWER UNIT GASKET KIT	1	
4	6H4-W0078-00-00	WATER PUMP REPAIR KIT	1	

©2014 Yamaha Motor Corporation, U.S.A. All rights reserved.