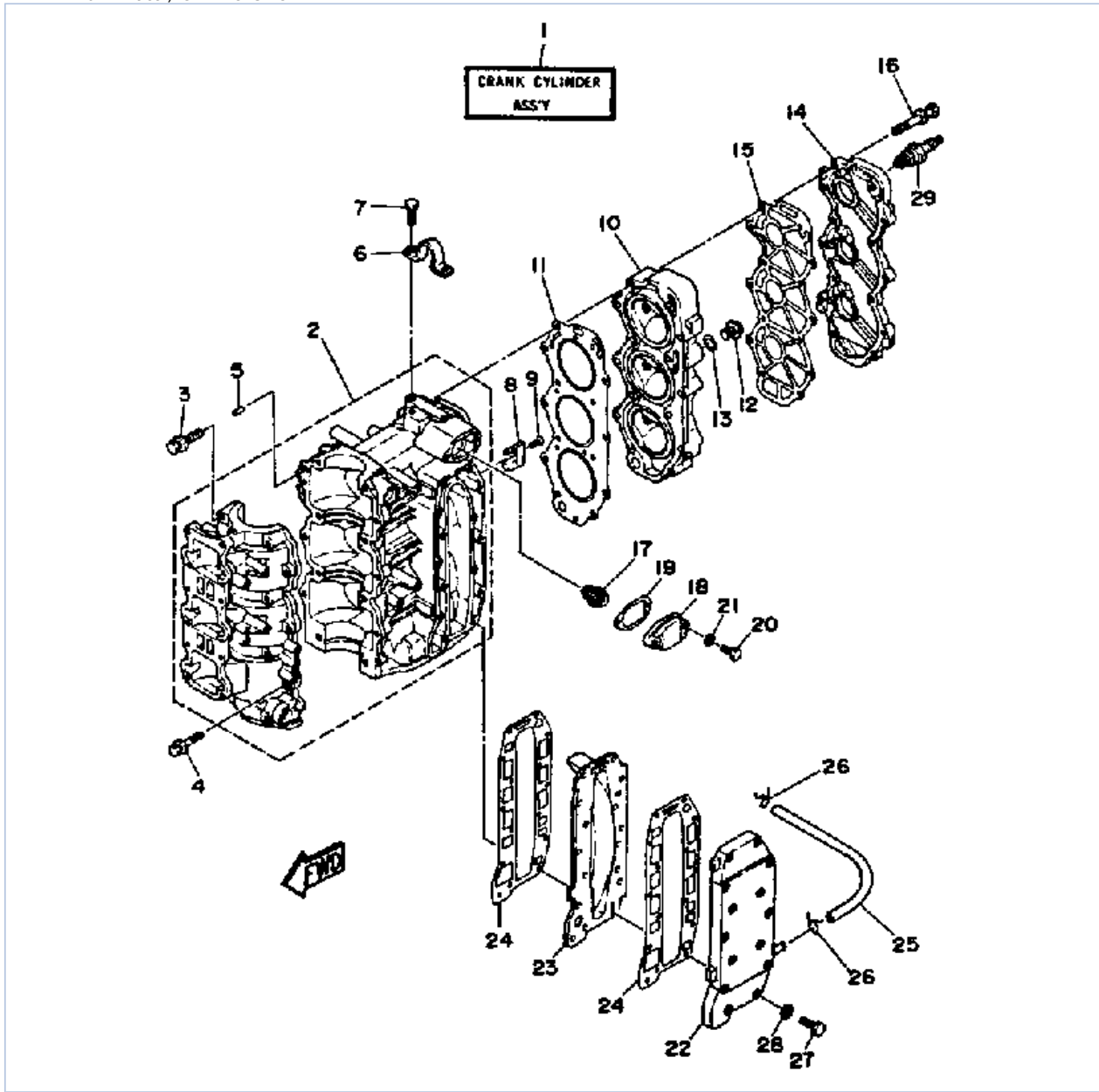


40ELF 1989 / CRANKCASE CYLINDER



©2014 Yamaha Motor Corporation, U.S.A. All rights reserved.



## Part List

40ELF 1989 / CRANKCASE CYLINDER

| REF<br>-<br>NO | PART<br>NUMBER  | PART NAME                 | QUANTITY | REMARKS |
|----------------|-----------------|---------------------------|----------|---------|
| 1              | 6H4-W0090-41-EK | CRANK-CYLINDER ASSEMBLY   | 1        |         |
| 2              | 6H4-15100-11-94 | CRANKCASE ASSEMBLY        | 1        |         |
| 3              | 90119-08M19-00  | BOLT, WITH WASHER         | 8        |         |
| 4              | 90119-06M13-00  | BOLT, WITH WASHER         | 6        |         |
| 5              | 93606-12019-00  | .PIN, DOWEL               | 2        |         |
| 6              | 6H4-11119-00-00 | HANGER, ENGINE            | 1        |         |
| 7              | 97313-06014-00  | BOLT, HEXAGON             | 2        |         |
| 8              | 688-11325-00-00 | ANODE                     | 2        |         |
| 9              | 98680-04016-00  | SCREW OVAL HEAD           | 2        |         |
| 10             | 6H4-11111-01-94 | HEAD, CYLINDER 1          | 1        |         |
| 11             | 6H4-11181-A0-00 | GASKET, CYLINDER HEAD 1   | 1        |         |
| 12             | 90340-14M00-00  | .PLUG, STRAIGHT SCREW     | 1        |         |
| 13             | 90430-14115-00  | .GASKET                   | 1        |         |
| 14             | 6H4-11191-01-9M | COVER, CYLINDER HEAD 1    | 1        |         |
| 15             | 6H4-11193-00-00 | GASKET, HEAD COVER 1      | 1        |         |
| 16             | 90119-08M29-00  | BOLT, WITH WASHER         | 14       |         |
| 17             | 6E5-12411-20-00 | THERMOSTAT                | 1        |         |
| 18             | 6H4-12413-00-9M | COVER, THERMOSTAT         | 1        |         |
| 19             | 6J8-12414-A0-00 | GASKET, COVER             | 1        |         |
| 20             | 97313-06025-00  | BOLT                      | 2        |         |
| 21             | 92990-06600-00  | WASHER, PLATE             | 2        |         |
| 22             | 6H4-41113-00-9M | OUTER COVER, EXHAUST      | 1        |         |
| 23             | 6H4-41111-00-9M | INNER COVER, EXHAUST      | 1        |         |
| 24             | 6H4-41114-A0-00 | GASKET, EXHAUST COVER     | 2        |         |
| 25             | 90445-09M37-00  | HOSE (L240)               | 1        |         |
| 26             | 90467-08004-00  | CLIP                      | 1        |         |
| 27             | 97013-06035-00  | BOLT                      | 14       |         |
| 28             | 92990-06600-00  | WASHER, PLATE             | 14       |         |
| 29             | NGK-B7HS1-00-00 | PLUG, SPARK (NGK B7HS-10) | 3        |         |

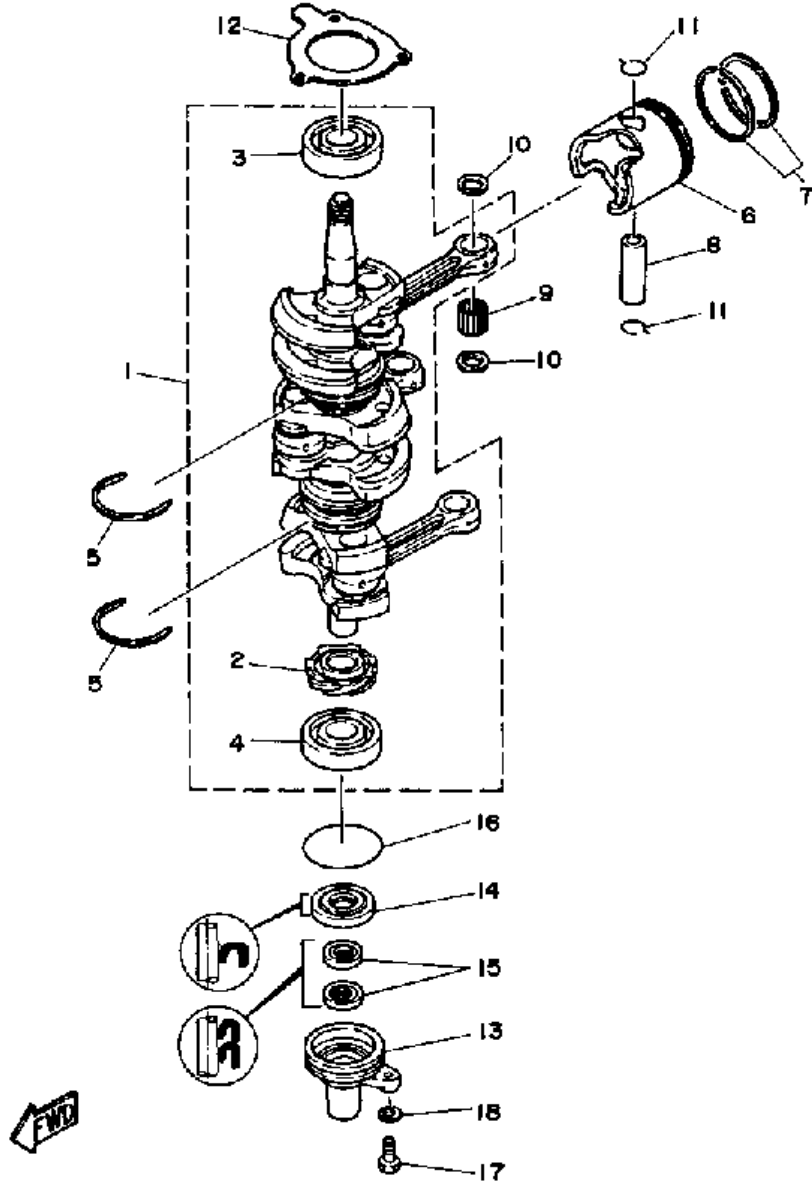
## Part Notes

40ELF 1989 / CRANKCASE CYLINDER

| PART NUMBER  | NOTE TEXT  |
|--|--|
| 92990-06600-00  | OEM: This part number is among the Top 100 Most Popular Marine Maintenance Parts as of March 2014. |
| 92990-06600-00  | OEM: This part number is among the Top 100 Most Popular Marine Maintenance Parts as of March 2014. |

©2014 Yamaha Motor Corporation, U.S.A. All rights reserved.

40ELF 1989 / CRANK PISTON



©2014 Yamaha Motor Corporation, U.S.A. All rights reserved.



## Part List

40ELF 1989 / CRANK PISTON

| REF<br>-<br>NO | PART<br>NUMBER  | PART NAME                       | QUANTITY | REMARKS |
|----------------|-----------------|---------------------------------|----------|---------|
| 1              | 6H4-11400-14-00 | CRANKSHAFT ASSY                 | 1        |         |
| 2              | 6H4-11536-00-00 | .GEAR, DRIVE                    | 1        |         |
| 3              | 93306-305U8-00  | .BEARING                        | 1        |         |
| 4              | 93306-305U8-00  | .BEARING                        | 1        |         |
| 5              | 93440-62057-00  | CIRCLIP, OUTER                  | 2        |         |
| 6              | 6H4-11636-01-00 | PISTON (0.50MM O/S)             | 3        | AP      |
| 6              | 6H4-11631-01-95 | PISTON (STD)                    | 3        |         |
| 7              | 6H4-11601-20-00 | PISTON RING SET (0.50MM<br>O/S) | 3        | AP      |
| 7              | 6H4-11601-00-00 | PISTON RING SET (STD)           | 3        |         |
| 8              | 648-11633-00-00 | PIN, PISTON                     | 3        |         |
| 9              | 93602-20M02-00  | PIN, DOWEL                      | 93       |         |
| 10             | 6H4-11641-00-00 | WASHER, PISTON PIN              | 6        |         |
| 11             | 6H4-11634-01-00 | CLIP, PISTON PIN                | 6        |         |
| 12             | 6H4-15369-A1-00 | GASKET, OIL SEAL HOUSING        | 1        |         |
| 13             | 6H4-15396-02-5B | HOUSING, OIL SEAL               | 1        |         |
| 14             | 93102-25M28-00  | OIL SEAL                        | 1        |         |
| 15             | 93101-16M36-00  | OIL SEAL                        | 2        |         |
| 16             | 93210-57M09-00  | .O-RING                         | 1        |         |
| 17             | 97313-06020-00  | BOLT, HEXAGON                   | 1        |         |
| 18             | 92990-06600-00  | WASHER, PLATE                   | 1        |         |

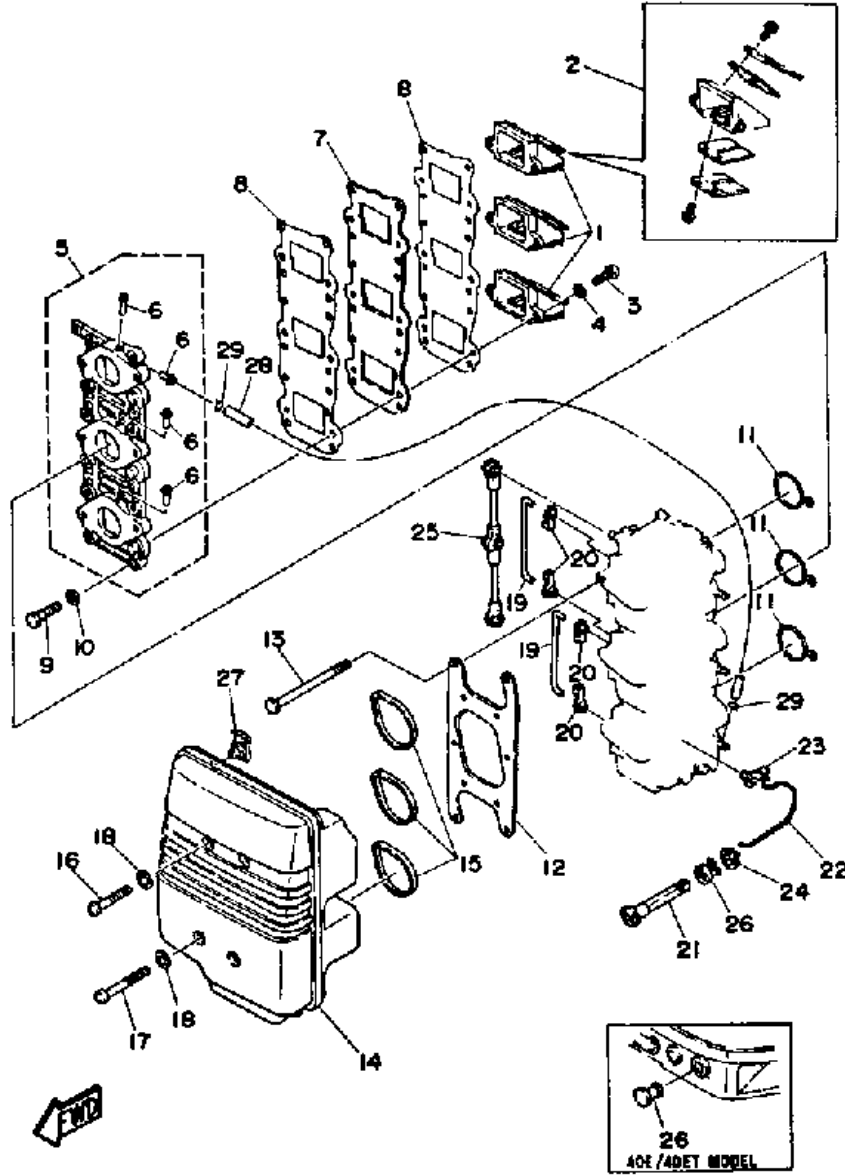
## Part Notes

40ELF 1989 / CRANK PISTON

| PART NUMBER  | NOTE TEXT  |
|--|--|
| 93602-20M02-00  | OEM: This part number is among the Top 100 Most Popular Marine Maintenance Parts as of March 2014. |
| 92990-06600-00  | OEM: This part number is among the Top 100 Most Popular Marine Maintenance Parts as of March 2014. |

©2014 Yamaha Motor Corporation, U.S.A. All rights reserved.

40ELF 1989 / INTAKE



©2014 Yamaha Motor Corporation, U.S.A. All rights reserved.


## Part List

40ELF 1989 / INTAKE

| REF<br>-<br>NO | PART<br>NUMBER  | PART NAME                                  | QUANTITY | REMARKS         |
|----------------|-----------------|--|----------|-----------------|
| 1              | 6H5-13610-00-00 | REED VALVE ASSY                            | 3        |                 |
| 2              | 6H4-W0004-00-00 | .REED SET                                  | 1        |                 |
| 3              | 98580-05016-00  | SCREW, PAN HEAD                            | 6        |                 |
| 4              | 92990-05600-00  | WASHER, PLATE                              | 6        |                 |
| 5              | 6H4-13641-12-94 | MANIFOLD 1                                 | 1        | UR 40E/ET MODEL |
| 5              | 6H4-13641-30-94 | MANIFOLD 1                                 | 1        | UR 40 MODEL     |
| 6              | 6H1-14485-00-00 | .PIPE, JOINT                               | 4        | UR 40E/ET MODEL |
| 6              | 6H1-14485-00-00 | .PIPE, JOINT                               | 3        | UR 40 MODEL     |
| 7              | 6H4-13624-01-94 | PLATE, REED VALVE                          | 1        |                 |
| 8              | 6H4-13621-A1-00 | GASKET, VALVE SEAT                         | 2        |                 |
| 9              | 97313-06020-00  | BOLT, HEXAGON                              | 12       |                 |
| 10             | 92990-06600-00  | WASHER, PLATE                              | 12       |                 |
| 11             | 6H4-14198-01-00 | .GASKET                                    | 3        |                 |
| 12             | 6H4-14406-00-00 | HINGE                                      | 1        |                 |
| 13             | 97313-06095-00  | BOLT, HEXAGON                              | 6        |                 |
| 14             | 6H4-14431-01-00 | SILENCER, INTAKE 1                         | 1        | UR 40 MODEL     |
| 14             | 6H4-14431-11-00 | SILENCER, INTAKE 1                         | 1        | UR 40E/ET MODEL |
| 15             | 6H3-14457-01-00 | SEAL                                       | 3        |                 |
| 16             | 98580-06040-00  | SCREW, PAN HEAD                            | 2        |                 |
| 17             | 98589-06055-00  | UNAVAILABLE IN PRICE<br>BOOK (97803-06055) | 2        |                 |
| 18             | 90209-06M05-00  | WASHER                                     | 4        |                 |
| 19             | 6H4-41257-00-00 | ROD, CHOKE 2                               | 2        | 40 MDL          |
| 20             | 661-41262-02-00 | JOINT, CHOKE LEVER                         | 4        | 40 MDL          |
| 21             | 6H4-41271-01-00 | KNOB, CHOKE                                | 1        | 40 MDL          |
| 22             | 6H4-41259-01-00 | ROD, CHOKE 3                               | 1        | 40 MDL          |
| 23             | 6J8-41262-00-00 | JOINT, CHOKE LEVER                         | 1        | 40 MDL          |
| 24             | 6J8-41274-00-00 | GROMMET 2                                  | 1        | 40 MDL          |
| 25             | 6H4-41217-01-00 | ROD, ACCEL. LEVER                          | 1        |                 |
| 26             | 689-41273-00-00 | GROMMET                                    | 1        | UR 40 MDL       |
| 26             | 6G1-42748-00-00 | GROMMET                                    | 1        | UR 40E/ET MDL   |
| 27             | 90464-06M19-00  | CLAMP                                      | 1        | 40 MDL          |
| 28             | 90445-07M24-00  | HOSE (L240)                                | 1        | 40E/ET MDL      |
| 29             | 90467-06016-00  | CLIP                                       | 2        | 40E/ET MDL      |

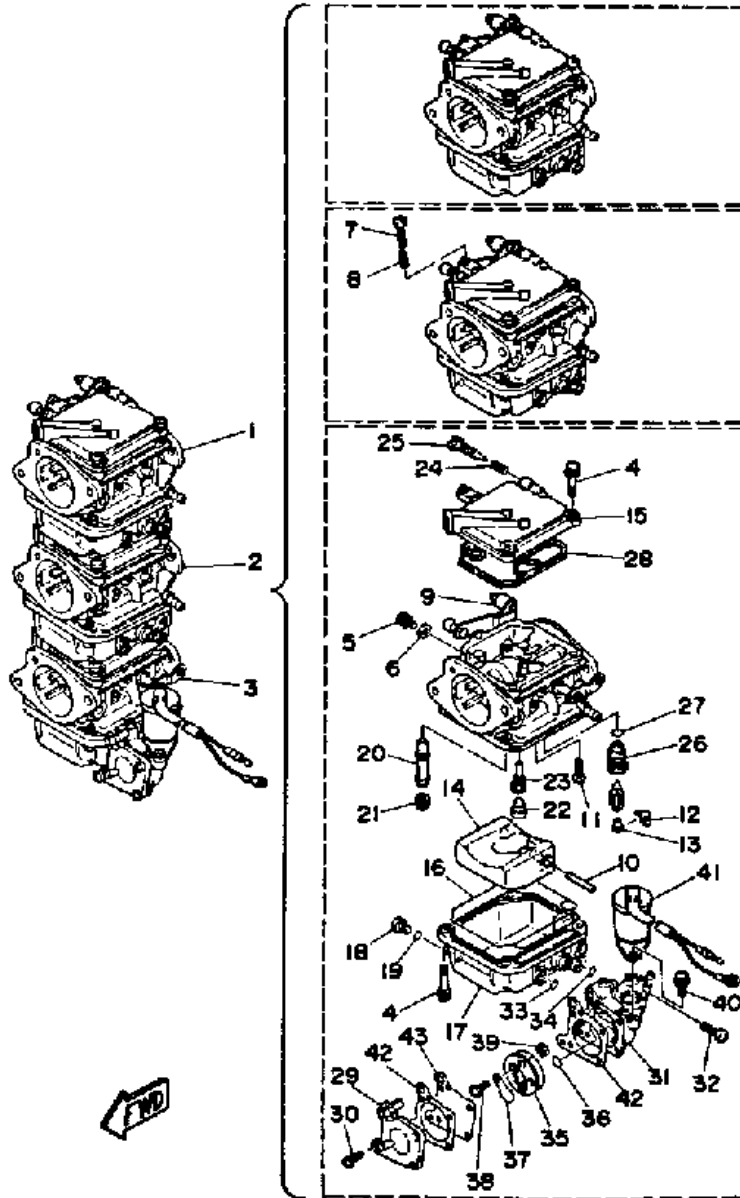
## Part Notes

40ELF 1989 / INTAKE

| PART NUMBER  | NOTE TEXT  |
|--|--|
| 92990-06600-00  | OEM: This part number is among the Top 100 Most Popular Marine Maintenance Parts as of March 2014. |

©2014 Yamaha Motor Corporation, U.S.A. All rights reserved.

40ELF 1989 / CARBURETOR



©2014 Yamaha Motor Corporation, U.S.A. All rights reserved.

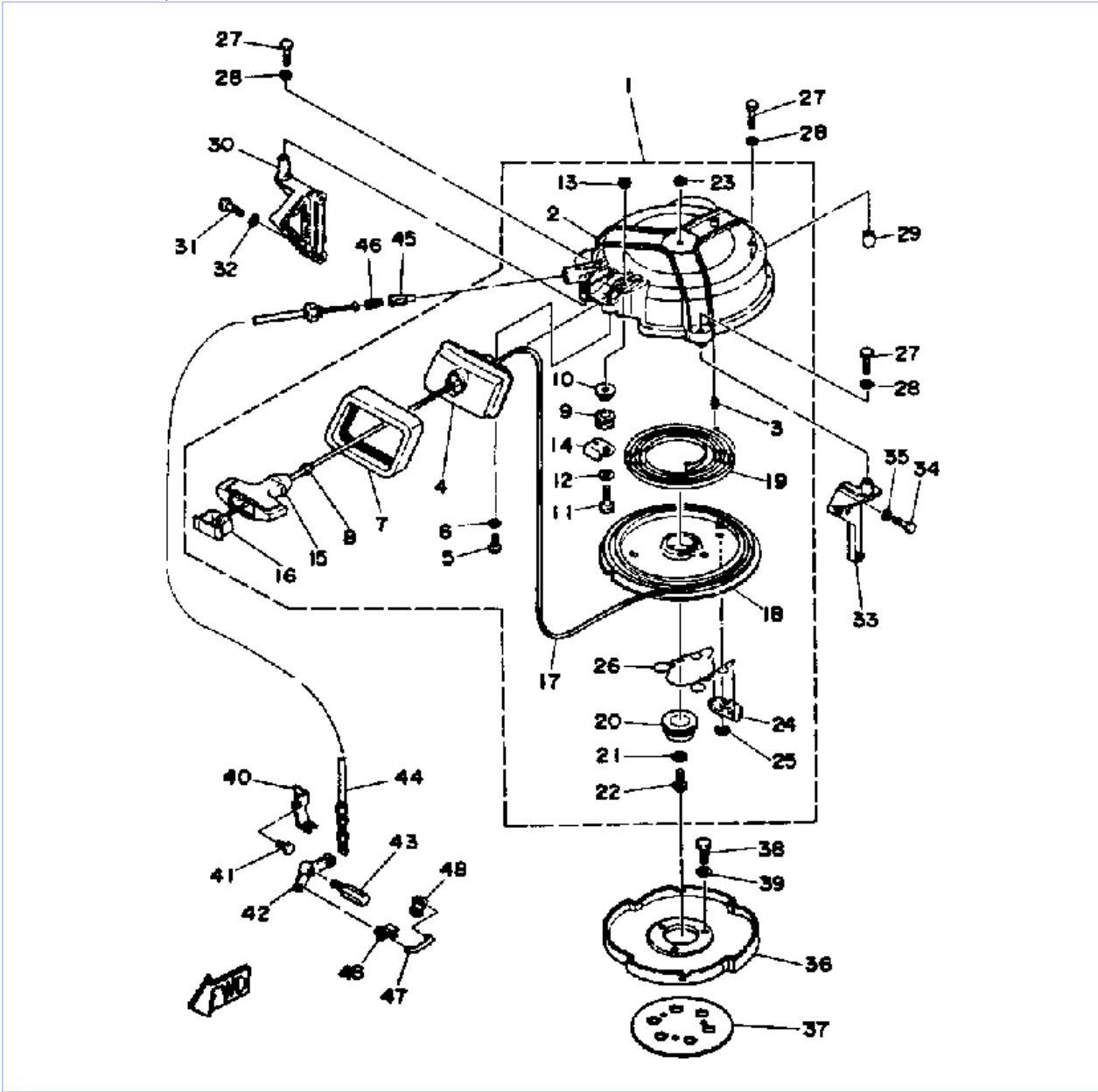
## Part List

40ELF 1989 / CARBURETOR

| REF<br>-<br>NO | PART<br>NUMBER  | PART NAME                    | QUANTITY | REMARKS         |
|----------------|-----------------|------------------------------|----------|-----------------|
| 1              | 6H4-14301-07-00 | CARBURETOR ASSEMBLY 1        | 1        | UR 40 MODEL     |
| 1              | 6H4-14301-11-00 | CARBURETOR ASSEMBLY 1        | 1        | UR 40E/ET MODEL |
| 2              | 6H4-14302-10-00 | CARBURETOR ASSEMBLY 2        | 1        | UR 40E/ET MODEL |
| 2              | 6H4-14302-08-00 | CARBURETOR ASSEMBLY 2        | 1        | UR 40 MODEL     |
| 3              | 6H4-14303-08-00 | CARBURETOR (LOWER)           | 1        | UR 40 MODEL     |
| 3              | 6H4-14303-10-00 | CARBURETOR (LOWER)           | 1        | UR 40E/ET MODEL |
| 4              | 97980-04114-00  | .SCREW, WITH WASHER          | 21       |                 |
| 5              | 663-14592-00-00 | .SCREW                       | 3        |                 |
| 6              | 90201-05652-00  | .WASHER, PLATE               | 3        |                 |
| 7              | 663-14523-00-00 | .SCREW, STOP                 | 1        | CENTER          |
| 8              | 90501-10326-00  | .SPRING, COMPRESSION         | 1        | CENTER          |
| 9              | 6H2-14578-00-00 | .COLLAR                      | 1        | LOWER           |
| 10             | 6H4-14548-00-00 | .PIN, FLOAT ARM              | 3        |                 |
| 11             | 98580-04008-00  | .SCREW, PAN HEAD             | 3        |                 |
| 12             | 663-14159-00-00 | .CLIP                        | 3        |                 |
| 13             | 676-14186-00-00 | .PIN, FLOAT                  | 3        |                 |
| 14             | 6H4-14985-00-00 | .FLOAT                       | 3        |                 |
| 15             | 6H4-14146-00-00 | .PLATE                       | 3        |                 |
| 16             | 6H4-14984-00-00 | .GASKET, FLOAT CHAMBER       | 3        |                 |
| 17             | 6H4-14980-00-00 | .BODY, FLOAT CHAMBER         | 3        | 40 MODEL        |
| 17             | 6H4-14980-10-00 | .BODY, FLOAT CHAMBER         | 1        | 40E/ET MODEL    |
| 17             | 6H4-14980-00-00 | .BODY, FLOAT CHAMBER         | 2        | 40E/ET MODEL    |
| 18             | 6H3-14992-00-00 | .SCREW, DRAIN                | 3        |                 |
| 19             | 93210-04230-00  | .O-RING                      | 3        |                 |
| 20             | 6H4-14947-07-00 | .JET, NEEDLE                 | 3        |                 |
| 21             | 676-14943-32-00 | .JET, MAIN (125) (CENTER)    | 1        | UR 40E/ET MODEL |
| 21             | 676-14943-31-00 | .JET, MAIN (120) (CENTER)    | 2        | UR 40E/ET MODEL |
| 21             | 676-14943-30-00 | .JET, MAIN (#115)            | 2        | UR 40 MODEL     |
| 21             | 676-14943-31-00 | .JET, MAIN (120) (CENTER)    | 1        | UR 40 MODEL     |
| 22             | 676-14966-00-00 | .CAP                         | 3        |                 |
| 23             | 6H4-14948-11-00 | .JET (#60)                   | 3        |                 |
| 24             | 679-14555-00-00 | .SPRING                      | 3        |                 |
| 25             | 692-14923-00-00 | .SCREW, PILOT                | 3        |                 |
| 26             | 6H3-14590-00-00 | .NEEDLE VALVE ASSEMBLY       | 3        |                 |
| 27             | 93210-04228-00  | .O-RING                      | 3        |                 |
| 28             | 6H4-14147-00-00 | .O-RING                      | 3        |                 |
| 29             | 6H4-24452-00-00 | .COVER                       | 1        | 40E/ET MODEL    |
| 30             | 97680-03108-00  | .SCREW, PAN HEAD<br>W/WASHER | 4        | 40E/ET MODEL    |
| 31             | 6H4-24412-00-00 | .BODY 1                      | 1        | 40E/ET MODEL    |
| 32             | 6H4-14592-00-00 | .SCREW                       | 2        | 40E/ET MODEL    |
| 33             | 6H4-14561-00-00 | .O-RING                      | 1        | 40E/ET MODEL    |
| 34             | 6H4-14562-00-00 | .O-RING                      | 1        | 40E/ET MODEL    |
| 35             | 6H4-24413-00-00 | .BODY 2                      | 1        | 40E/ET MODEL    |
| 36             | 6H4-24486-00-00 | .O-RING                      | 1        | 40E/ET MODEL    |
| 37             | 6L5-24421-00-00 | .VALVE, CHECK                | 2        | 50E/ET MODEL    |
| 38             | 98902-03006-00  | .SCREW, BIND                 | 2        | 40E/ET MODEL    |
| 39             | 90179-03478-00  | .NUT, SPECIAL SHAPE 0 2      | 2        | 40E/ET MODEL    |
| 40             | 97980-05310-00  | .SCREW, WITH WASHER          | 2        | 40E/ET MODEL    |
| 41             | 6H4-86120-00-00 | .SOLENOID VALVE<br>ASSEMBLY  | 1        | 40E/ET MODEL    |
| 42             | 6H5-24434-00-00 | .GASKET, BODY                | 2        | 40E/ET MODEL    |
| 43             | 6H4-24411-00-00 | .DIAPHRAGM                   | 1        | 40E/ET MODEL    |



40ELF 1989 / MANUAL STARTER



©2014 Yamaha Motor Corporation, U.S.A. All rights reserved.

## Part List





40ELF 1989 / MANUAL STARTER

| REF<br>-<br>NO | PART<br>NUMBER  | PART NAME                    | QUANTITY | REMARKS |
|----------------|-----------------|------------------------------|----------|---------|
| 1              | 6H4-15710-02-94 | STARTER ASSEMBLY             | 1        |         |
| 2              | 6H4-15711-02-94 | .CASE, STARTER               | 1        |         |
| 3              | 91690-40018-00  | .PIN, SPRING                 | 1        |         |
| 4              | 6H4-15758-00-94 | .GUIDE, ROPE                 | 1        |         |
| 5              | 97313-06016-00  | .BOLT, HEXAGON               | 2        |         |
| 6              | 92990-06600-00  | .WASHER, PLATE               | 2        |         |
| 7              | 6H4-15762-00-00 | .SEAL, RUBBER 2              | 1        |         |
| 8              | 6A0-15789-00-00 | .DAMPER                      | 1        |         |
| 9              | 6F5-15752-00-00 | .ROLLER, WIRE                | 1        |         |
| 10             | 90387-06M69-00  | .COLLAR                      | 1        |         |
| 11             | 97313-06030-00  | .BOLT                        | 1        |         |
| 12             | 92990-06600-00  | .WASHER, PLATE               | 1        |         |
| 13             | 95380-06600-00  | .NUT, HEXAGON                | 1        |         |
| 14             | 6H4-15787-01-00 | .STAY                        | 1        |         |
| 15             | 689-15755-01-00 | .HANDLE, STARTER             | 1        |         |
| 16             | 6F5-15779-02-00 | .COVER                       | 1        |         |
| 17             | 90580-50M01-00  | .ROPE, STARTER               | 1        |         |
| 18             | 6H4-15714-00-00 | .DRUM, SHEAVE                | 1        |         |
| 19             | 90510-08002-00  | .SPRING, SPIRAL              | 1        |         |
| 20             | 6H4-15717-00-00 | .SHAFT, STARTER              | 1        |         |
| 21             | 90201-065F3-00  | .WASHER, PLATE               | 1        |         |
| 22             | 97313-06020-00  | .BOLT, HEXAGON               | 1        |         |
| 23             | 95380-06600-00  | .NUT, HEXAGON                | 1        |         |
| 24             | 676-15741-03-00 | .PAWL, DRIVE                 | 1        |         |
| 25             | 93430-06M02-00  | .CIRCLIP                     | 1        |         |
| 26             | 6H4-15705-00-00 | .SPRING, DRIVE PAWL          | 1        |         |
| 27             | 97013-06035-00  | BOLT                         | 3        |         |
| 28             | 92990-06600-00  | WASHER, PLATE                | 3        |         |
| 29             | 99530-10014-00  | PIN, DOWEL                   | 1        |         |
| 30             | 6H4-15771-01-94 | STAY 1                       | 1        |         |
| 31             | 97313-08030-00  | BOLT                         | 2        |         |
| 32             | 92990-08600-00  | ..WASHER, PLATE              | 2        |         |
| 33             | 6H4-15772-02-94 | STAY 2                       | 1        |         |
| 34             | 97313-06025-00  | BOLT                         | 3        |         |
| 35             | 92990-06600-00  | WASHER, PLATE                | 3        |         |
| 36             | 6H4-15723-01-94 | PULLEY, STARTER              | 1        |         |
| 37             | 6J8-81365-00-00 | GASKET, HOLE COVER           | 1        |         |
| 38             | 97313-08020-00  | BOLT, HEXAGON                | 3        |         |
| 39             | 92990-08600-00  | ..WASHER, PLATE              | 3        |         |
| 40             | 6H4-15774-10-00 | STAY 4                       | 1        |         |
| 41             | 97013-06012-00  | BOLT                         | 1        |         |
| 42             | 6H4-15746-00-00 | ARM                          | 1        |         |
| 43             | 90109-06M04-00  | BOLT                         | 1        |         |
| 44             | 6H4-15770-10-00 | CABLE COMP., STARTER<br>STOP | 1        |         |
| 45             | 656-15748-00-00 | PLUNGER, STARTER STOP        | 1        |         |
| 46             | 90501-10227-00  | SPRING, COMPRESSION          | 1        |         |
| 47             | 6H4-15747-10-00 | LINK                         | 1        |         |
| 48             | 661-41262-02-00 | JOINT, CHOKE LEVER           | 2        |         |

## Part Notes

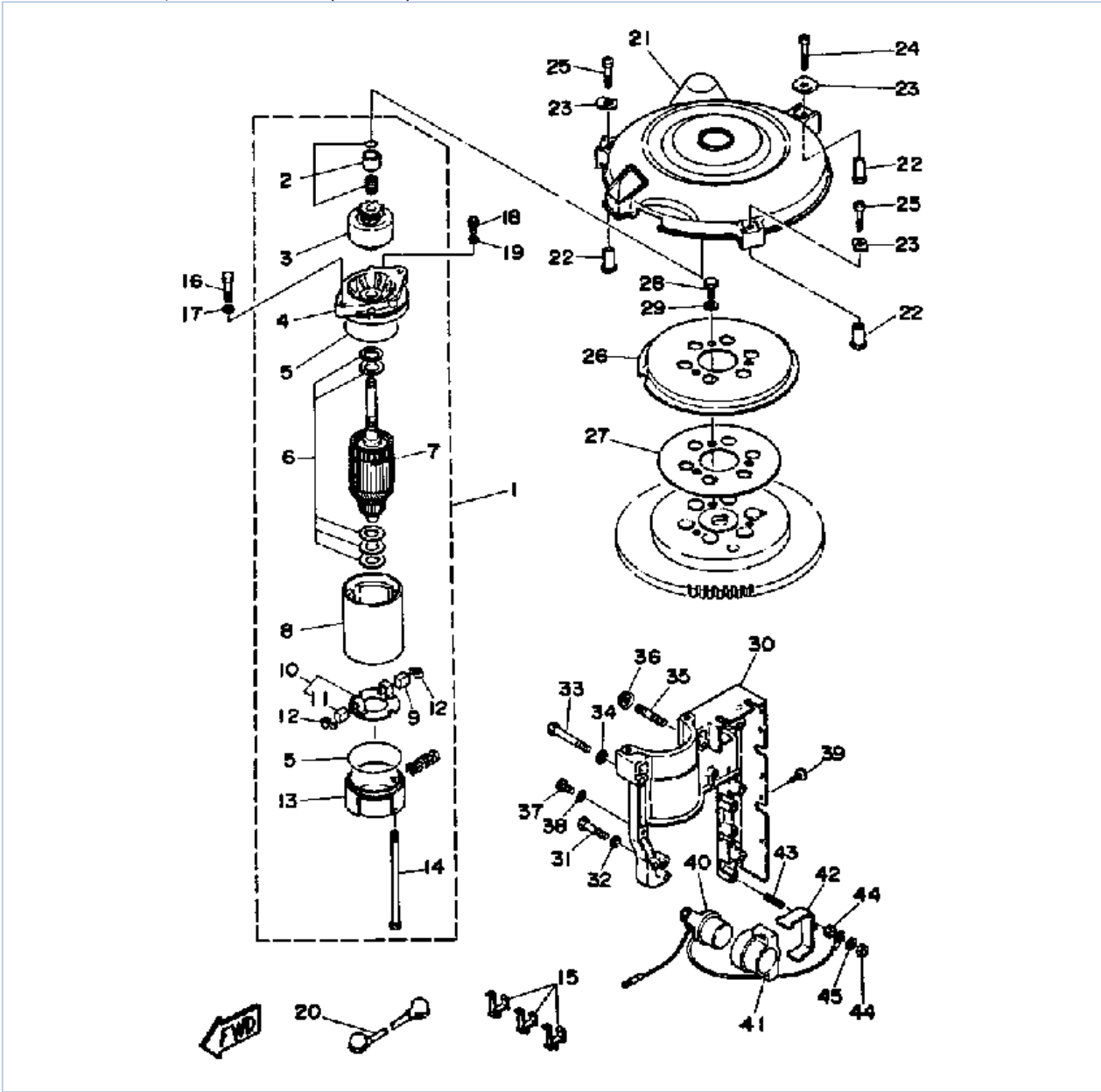
40ELF 1989 / MANUAL STARTER

| PART NUMBER | NOTE TEXT |
|-------------|-----------|
|             |           |

|                |   |  |
|----------------|---|--|
| 92990-06600-00 |  | OEM: This part number is among the Top 100 Most Popular Marine Maintenance Parts as of March 2014. |
| 92990-06600-00 |  | OEM: This part number is among the Top 100 Most Popular Marine Maintenance Parts as of March 2014. |
| 92990-06600-00 |  | OEM: This part number is among the Top 100 Most Popular Marine Maintenance Parts as of March 2014. |
| 92990-06600-00 |  | OEM: This part number is among the Top 100 Most Popular Marine Maintenance Parts as of March 2014. |

©2014 Yamaha Motor Corporation, U.S.A. All rights reserved.

40ELF 1989 / ELECTRIC STARTER (40E 40ET)



©2014 Yamaha Motor Corporation, U.S.A. All rights reserved.


## Part List



40ELF 1989 / ELECTRIC STARTER (40E 40ET)

| REF - NO | PART NUMBER     | PART NAME                  | QUANTITY | REMARKS |
|----------|-----------------|----------------------------|----------|---------|
| 1        | 6J4-81800-01-00 | STARTING MOTOR ASSEMBLY    | 1        |         |
| 2        | 689-81857-11-00 | .PINION STOPPER SET        | 1        |         |
| 3        | 689-81807-12-00 | .GEAR ASSY, STARTING MOTOR | 1        |         |
| 4        | 6F5-81830-11-00 | .FRONT BRACKET ASSY        | 1        |         |
| 5        | 689-81847-11-00 | .O-RING                    | 2        |         |
| 6        | 689-81809-11-00 | .WASHER KIT                | 1        |         |
| 7        | 689-81850-12-00 | .ARMATURE ASSY             | 1        |         |
| 8        | 689-81810-11-00 | .STATOR ASSY               | 1        |         |
| 9        | 689-81811-11-00 | .BRUSH 1                   | 1        |         |
| 10       | 689-81840-11-00 | .BRUSH HOLDER ASSY         | 1        |         |
| 11       | 689-81812-11-00 | ..BRUSH 2                  | 1        |         |
| 12       | 689-81813-10-00 | .SPRING, BRUSH             | 2        |         |
| 13       | 689-81820-11-00 | .REAR BRACKET ASSY         | 1        |         |
| 14       | 689-81826-10-00 | .BOLT                      | 2        |         |
| 15       | 90464-09M13-00  | CLAMP                      | 3        |         |
| 16       | 97313-08030-00  | BOLT                       | 2        |         |
| 17       | 92990-08600-00  | ..WASHER, PLATE            | 2        |         |
| 18       | 97313-08016-00  | BOLT, HEXAGON              | 1        |         |
| 19       | 92990-08600-00  | ..WASHER, PLATE            | 1        |         |
| 20       | 6H4-82117-00-00 | WIRE, LEAD                 | 1        |         |
| 21       | 6H4-81337-01-00 | COVER, FLYWHEEL            | 1        |         |
| 22       | 90387-06M65-00  | COLLAR                     | 3        |         |
| 23       | 90209-06M04-00  | WASHER                     | 3        |         |
| 24       | 98580-06040-00  | SCREW, PAN HEAD            | 1        |         |
| 25       | 98580-06035-00  | SCREW, PAN HEAD            | 2        |         |
| 26       | 6J8-15723-E1-00 | PULLEY, STARTER            | 1        |         |
| 27       | 6J8-81365-00-00 | GASKET, HOLE COVER         | 1        |         |
| 28       | 97011-08016-00  | BOLT                       | 3        |         |
| 29       | 92990-08600-00  | ..WASHER, PLATE            | 3        |         |
| 30       | 6H4-81822-01-98 | BRACKET, STARTING MOTOR    | 1        |         |
| 31       | 97313-06030-00  | BOLT                       | 4        |         |
| 32       | 92990-06600-00  | WASHER, PLATE              | 4        |         |
| 33       | 97313-08050-00  | BOLT, HEXAGON              | 1        |         |
| 34       | 92990-08600-00  | ..WASHER, PLATE            | 1        |         |
| 35       | 95670-06640-00  | BOLT, STUD                 | 1        |         |
| 36       | 90179-06M24-00  | NUT                        | 1        |         |
| 37       | 97313-06014-00  | BOLT, HEXAGON              | 2        |         |
| 38       | 92990-06600-00  | WASHER, PLATE              | 2        |         |
| 39       | 90338-05M11-00  | PLUG                       | 1        |         |
| 40       | 6G1-81941-10-00 | STARTER RELAY ASSY         | 1        |         |
| 41       | 6H4-81952-00-00 | HOLDER, RELAY              | 1        |         |
| 42       | 6H4-81945-00-00 | PLATE, SWITCH FITTING      | 1        |         |
| 43       | 90116-06M22-00  | BOLT, STUD                 | 1        |         |
| 44       | 95380-06600-00  | NUT, HEXAGON               | 2        |         |
| 45       | 92990-06600-00  | WASHER, PLATE              | 1        |         |

## Part Notes

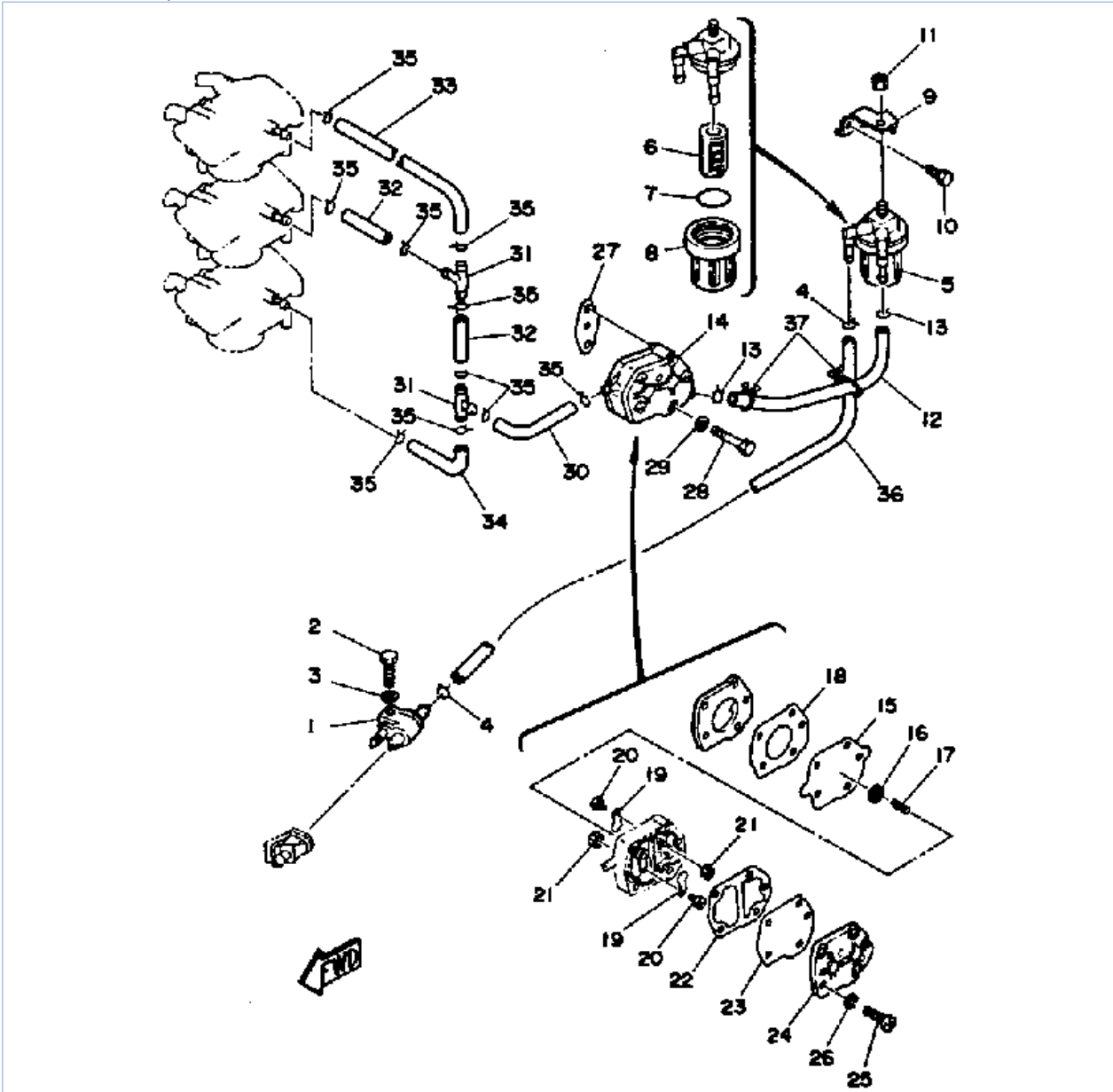
40ELF 1989 / ELECTRIC STARTER (40E 40ET)

| PART NUMBER  | NOTE TEXT  |
|--|--|
| 92990-06600-00  | OEM: This part number is among the Top 100 Most Popular Marine Maintenance Parts as of March 2014. |
| 92990-06600-00   | OEM: This part number is among the Top 100 Most Popular Marine Maintenance Parts as of March 2014. |

|                |   |  |
|----------------|---|--|
|                |  |  |
| 92990-06600-00 |  | OEM: This part number is among the Top 100 Most Popular Marine Maintenance Parts as of March 2014. |

©2014 Yamaha Motor Corporation, U.S.A. All rights reserved.

40ELF 1989 / FUEL SYSTEM



©2014 Yamaha Motor Corporation, U.S.A. All rights reserved.




## Part List

40ELF 1989 / FUEL SYSTEM

| REF<br>-<br>NO | PART<br>NUMBER  | PART NAME               | QUANTITY | REMARKS |
|----------------|-----------------|-------------------------|----------|---------|
| 1              | 6G1-24304-02-00 | FUEL PIPE JOINT COMP. 1 | 1        |         |
| 2              | 97313-06025-00  | BOLT                    | 1        |         |
| 3              | 92990-06600-00  | WASHER, PLATE           | 1        |         |
| 4              | 90467-08004-00  | CLIP                    | 2        |         |
| 5              | 655-24560-01-00 | FILTER ASSEMBLY         | 1        |         |
| 6              | 6F5-24563-00-00 | .ELEMENT, FILTER        | 1        |         |
| 7              | 93210-37M25-00  | .O-RING                 | 1        |         |
| 8              | 655-24521-01-00 | .CUP, FILTER            | 1        |         |
| 9              | 6H4-24566-01-00 | BRACKET, FILTER         | 1        |         |
| 10             | 97013-06012-00  | BOLT                    | 1        |         |
| 11             | 95333-08600-00  | NUT                     | 1        |         |
| 12             | 6H4-24314-00-00 | PIPE 4                  | 1        |         |
| 13             | 90467-08004-00  | CLIP                    | 2        |         |
| 14             | 6A0-24410-05-00 | FUEL PUMP ASSEMBLY      | 1        |         |
| 15             | 648-24411-00-00 | .DIAPHRAGM              | 1        |         |
| 16             | 648-24424-00-00 | .SEAT, SPRING           | 1        |         |
| 17             | 648-24423-00-00 | .SPRING, DIAPHRAGM      | 1        |         |
| 18             | 648-24434-01-00 | .GASKET, BODY           | 1        |         |
| 19             | 6A0-24421-01-00 | .VALVE, CHECK           | 2        |         |
| 20             | 90147-03M00-00  | .SCREW, PAN HEAD        | 2        |         |
| 21             | 98813-03100-00  | .NUT                    | 2        |         |
| 22             | 648-24435-02-00 | .GASKET, BODY 2         | 1        |         |
| 23             | 663-24411-00-00 | .DIAPHRAGM              | 1        |         |
| 24             | 6A0-24413-00-00 | .BODY 2                 | 1        |         |
| 25             | 98580-05530-00  | .SCREW, PAN HEAD        | 3        |         |
| 26             | 92990-05100-00  | .WASHER, SPRING         | 3        |         |
| 27             | 650-24431-A0-00 | GASKET, FUEL PUMP 1     | 1        |         |
| 28             | 97313-06040-00  | BOLT, HEXAGON           | 2        |         |
| 29             | 92990-06600-00  | WASHER, PLATE           | 2        |         |
| 30             | 90445-09063-00  | HOSE (L80)              | 1        |         |
| 31             | 688-24378-00-00 | PIPE, JOINT 3           | 2        |         |
| 32             | 90445-09057-00  | HOSE (L43)              | 2        |         |
| 33             | 6H4-24313-00-00 | PIPE 3                  | 1        |         |
| 34             | 6H4-24312-00-00 | PIPE 2                  | 1        |         |
| 35             | 90467-08004-00  | CLIP                    | 10       |         |
| 36             | 6H4-24311-00-00 | PIPE, FUEL 1            | 1        |         |
| 37             | 90464-16039-00  | CLAMP                   | 3        |         |

## Part Notes

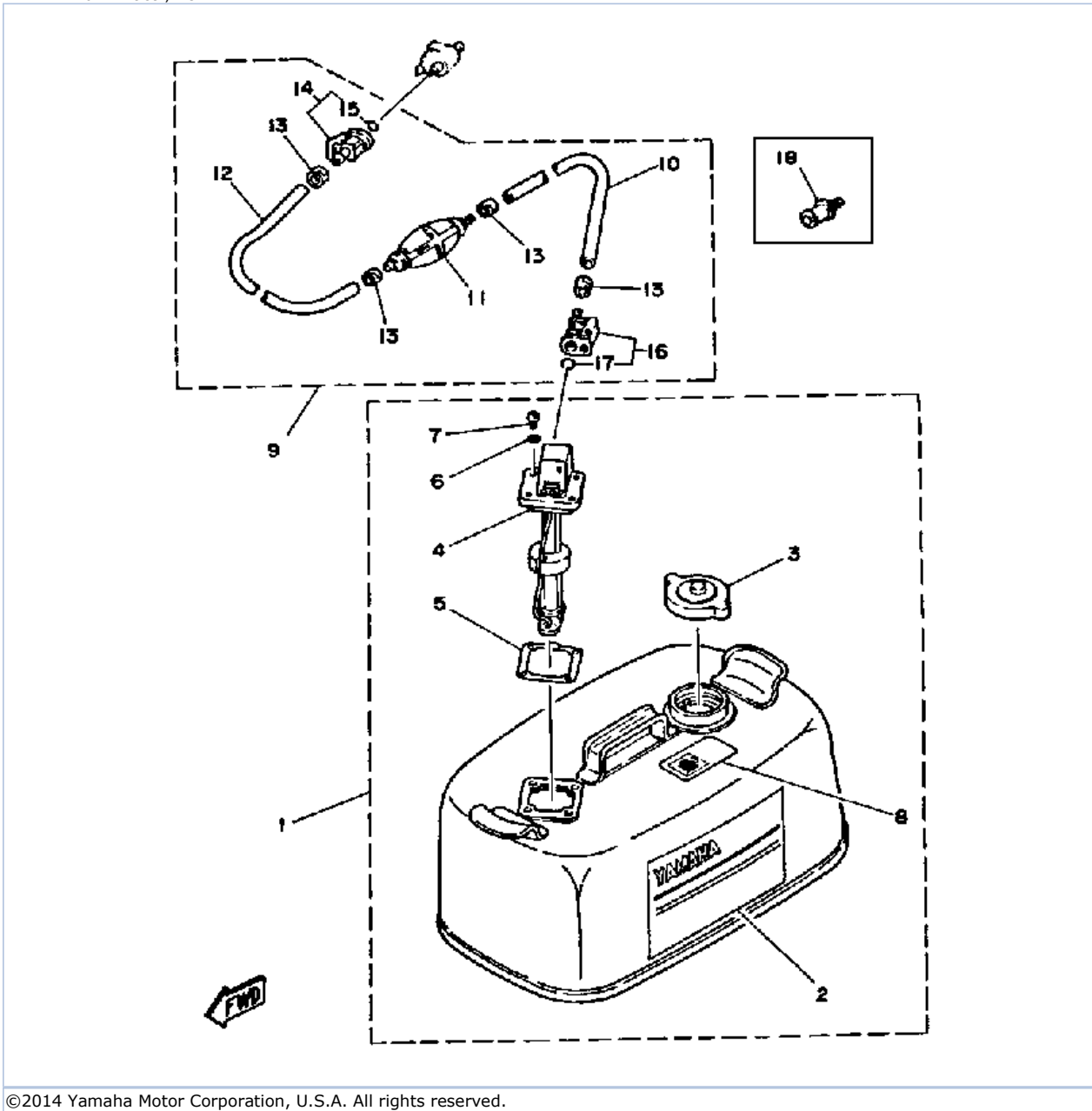
40ELF 1989 / FUEL SYSTEM

| PART NUMBER   | NOTE TEXT  |
|---|--|
| 92990-06600-00   | OEM: This part number is among the Top 100 Most Popular Marine Maintenance Parts as of March 2014. |
| 650-24431-A0-00  | OEM: This part number is among the Top 100 Most Popular Marine Maintenance Parts as of March 2014. |
| 92990-06600-00   | OEM: This part number is among the Top 100 Most Popular Marine Maintenance Parts as of March 2014. |

©2014 Yamaha Motor Corporation, U.S.A. All rights reserved.



40ELF 1989 / FUEL TANK



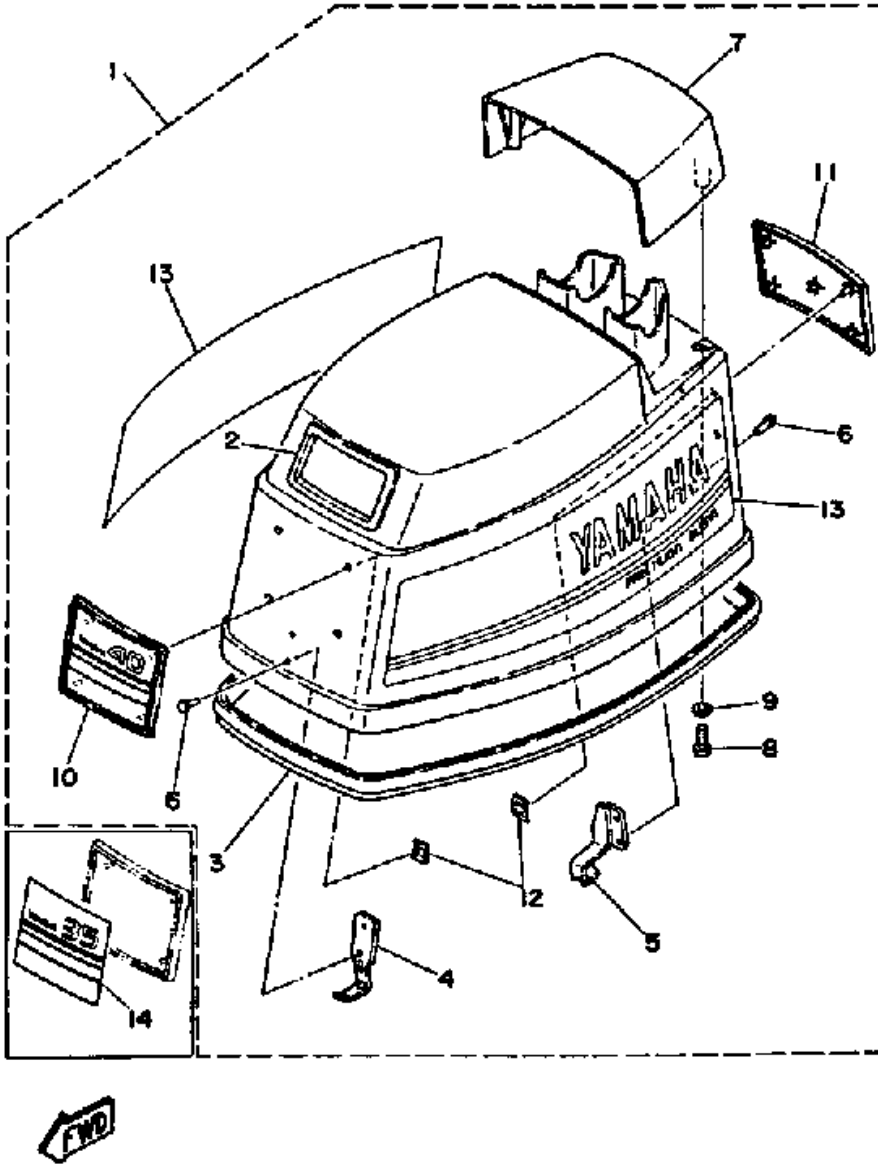
©2014 Yamaha Motor Corporation, U.S.A. All rights reserved.

## Part List

40ELF 1989 / FUEL TANK

| REF<br>-<br>NO | PART<br>NUMBER  | PART NAME               | QUANTITY | REMARKS |
|----------------|-----------------|-------------------------|----------|---------|
| 1              | 6Y1-W2420-42-24 | FUEL TANK ASSEMBLY      | 1        |         |
| 2              | 6Y1-24244-20-00 | .GRAPHIC, SIDE          | 1        |         |
| 3              | 6Y1-24610-00-00 | .CAP ASSEMBLY           | 1        |         |
| 4              | 6Y1-24260-02-00 | .FUEL METER ASSEMBLY    | 1        |         |
| 5              | 6Y1-24268-00-00 | .GASKET, FUEL METER     | 1        |         |
| 6              | 6Y1-24329-00-00 | .SEAL                   | 4        |         |
| 7              | 98586-05016-00  | .SCREW, PAN HEAD        | 4        |         |
| 8              | 6Y1-24256-50-00 | .GRAPHIC, FUEL TANK     | 1        |         |
| 9              | 6Y1-24306-51-00 | FUEL PIPE COMP. 1       | 1        |         |
| 10             | 90445-11M06-00  | .HOSE (L2050)           | 1        |         |
| 11             | 6Y1-24360-51-00 | .PRIMER PUMP ASSY       | 1        |         |
| 12             | 90445-11M05-00  | .HOSE (L850)            | 1        |         |
| 13             | 650-24351-51-00 | .BAND 1                 | 4        |         |
| 14             | 6G1-24305-01-00 | .FUEL PIPE JOINT COMP 2 | 1        |         |
| 15             | 93210-08287-00  | ..O-RING                | 1        |         |
| 16             | 6Y1-24305-02-00 | .FUEL PIPE JOINT COMP 2 | 1        |         |
| 17             | 93210-08287-00  | ..O-RING                | 1        |         |
| 18             | ABB-FLUSH-JD-00 | JET DRIVE FLUSH         | 1        |         |

40ELF 1989 / TOP COWLING



©2014 Yamaha Motor Corporation, U.S.A. All rights reserved.


## Part List

40ELF 1989 / TOP COWLING

| REF - NO | PART NUMBER     | PART NAME             | QUANTITY | REMARKS           |
|----------|-----------------|-----------------------|----------|-------------------|
| 1        | 6H4-42610-W0-EK | TOP COWLING ASSEMBLY  | 1        | 40 MODEL          |
| 2        | 6H4-15761-00-00 | .SEAL, RUBBER 1       | 1        |                   |
| 3        | 6H4-42615-00-00 | .SEAL                 | 1        |                   |
| 4        | 6H4-42651-00-00 | .HOOK                 | 1        |                   |
| 5        | 6H4-42652-00-00 | .HOOK                 | 1        |                   |
| 6        | 90266-04M01-00  | .RIVET                | 4        |                   |
| 7        | 6H4-42613-00-EK | .MOLDING, AIR DUCT    | 1        |                   |
| 8        | 97313-06016-00  | .BOLT, HEXAGON        | 4        |                   |
| 9        | 92990-06600-00  | .WASHER, PLATE        | 4        |                   |
| 10       | 6H4-42686-01-00 | .EMBLEM, FRONT        | 1        |                   |
| 11       | 6H4-42687-A0-00 | .EMBLEM, REAR (35M)   | 1        |                   |
| 11       | 6H4-42687-00-00 | .EMBLEM, REAR         | 1        | UR ALASKA35 MODEL |
| 12       | 90183-05M01-00  | .NUT, SPRING          | 9        |                   |
| 13       | 6H4-W0070-42-00 | .GRAPHIC SET          | 1        |                   |
| 14       | 6H4-42677-A0-00 | .GRAPHIC, FRONT (35M) | 1        | ALASKA35 MODEL    |

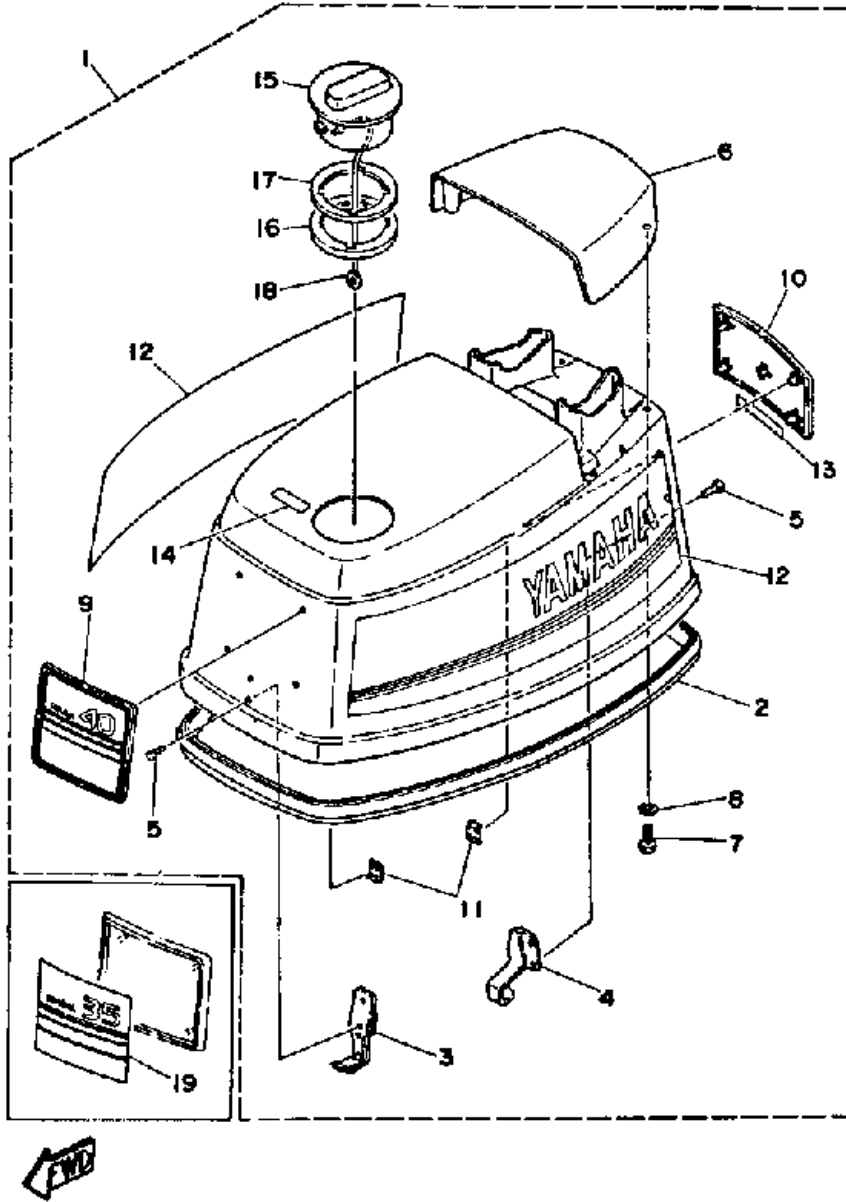
## Part Notes

40ELF 1989 / TOP COWLING

| PART NUMBER  | NOTE TEXT  |
|--|--|
| 92990-06600-00  | OEM: This part number is among the Top 100 Most Popular Marine Maintenance Parts as of March 2014. |

©2014 Yamaha Motor Corporation, U.S.A. All rights reserved.

40ELF 1989 / TOP COWLING (40E 40ET)



©2014 Yamaha Motor Corporation, U.S.A. All rights reserved.


## Part List

40ELF 1989 / TOP COWLING (40E 40ET)

| REF<br>-<br>NO | PART<br>NUMBER  | PART NAME             | QUANTITY | REMARKS           |
|----------------|-----------------|-----------------------|----------|-------------------|
| 1              | 6H4-42610-43-EK | TOP COWLING ASSEMBLY  | 1        |                   |
| 2              | 6H4-42615-00-00 | .SEAL                 | 1        |                   |
| 3              | 6H4-42651-00-00 | .HOOK                 | 1        |                   |
| 4              | 6H4-42652-00-00 | .HOOK                 | 1        |                   |
| 5              | 90266-04M01-00  | .RIVET                | 4        |                   |
| 6              | 6H4-42613-10-EK | .MOLDING, AIR DUCT    | 1        |                   |
| 7              | 97313-06016-00  | .BOLT, HEXAGON        | 4        |                   |
| 8              | 92990-06600-00  | .WASHER, PLATE        | 4        |                   |
| 9              | 6H4-42686-10-00 | .EMBLEM, FRONT        | 1        |                   |
| 10             | 6H4-42687-A0-00 | .EMBLEM, REAR (35M)   | 1        | UR ALASKA35 MODEL |
| 10             | 6H4-42687-00-00 | .EMBLEM, REAR         | 1        | UR                |
| 11             | 90183-05M01-00  | .NUT, SPRING          | 9        |                   |
| 12             | 6H4-W0070-42-00 | .GRAPHIC SET          | 1        |                   |
| 13             | 6G1-42683-00-00 | .MARK, COWLING 3      | 1        |                   |
| 14             | 6H4-13436-40-00 | .MARK                 | 1        |                   |
| 15             | 6H1-2177H-01-00 | .DISK CAP 2           | 1        |                   |
| 16             | 6H3-21732-00-00 | .SEAL 1               | 1        |                   |
| 17             | 6H3-21735-00-00 | .SEAL 2               | 1        |                   |
| 18             | 6H1-42694-00-00 | .BAND                 | 1        |                   |
| 19             | 6H4-42677-A0-00 | .GRAPHIC, FRONT (35M) | 1        | ALASKA35 MODEL    |

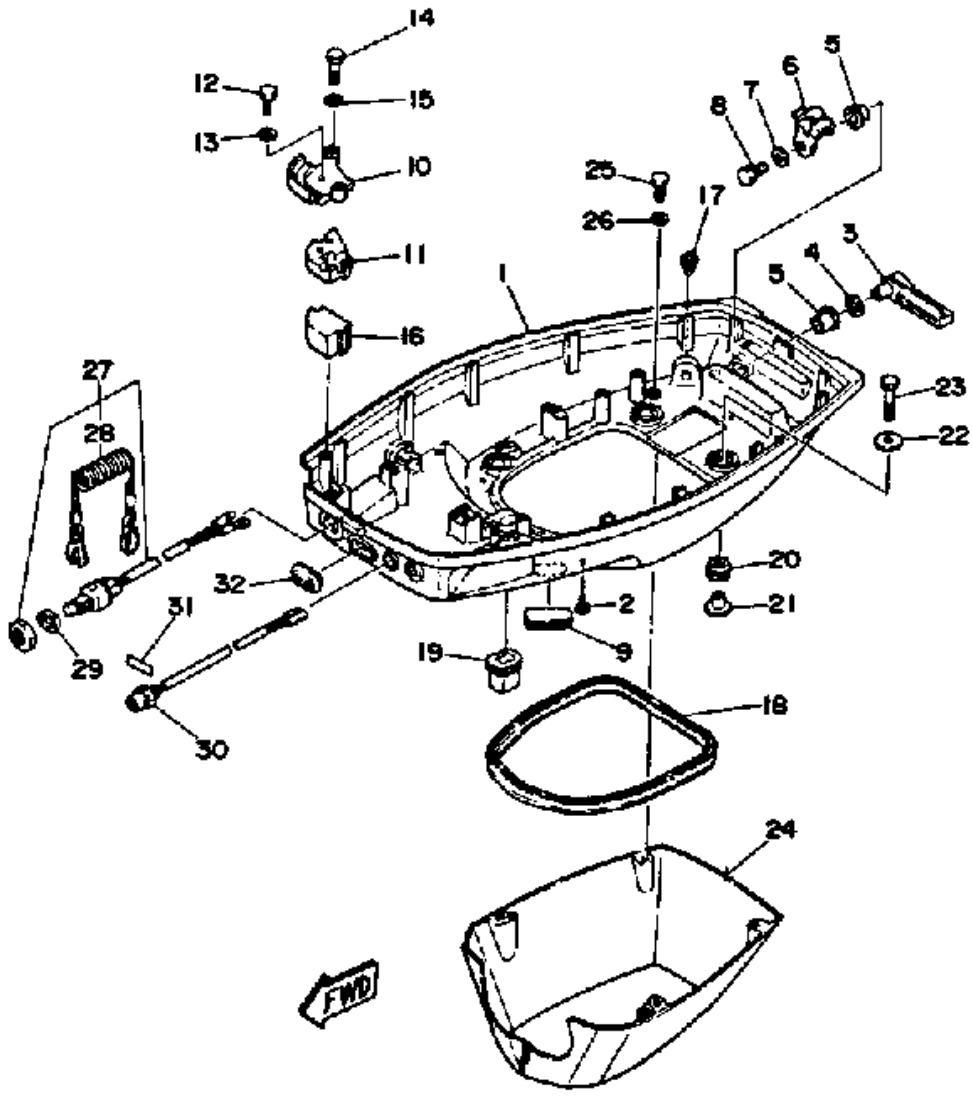
## Part Notes

40ELF 1989 / TOP COWLING (40E 40ET)

| PART NUMBER  | NOTE TEXT  |
|--|--|
| 92990-06600-00  | OEM: This part number is among the Top 100 Most Popular Marine Maintenance Parts as of March 2014. |

©2014 Yamaha Motor Corporation, U.S.A. All rights reserved.

40ELF 1989 / BOTTOM COWLING



©2014 Yamaha Motor Corporation, U.S.A. All rights reserved.




## Part List

40ELF 1989 / BOTTOM COWLING

| REF<br>-<br>NO | PART<br>NUMBER  | PART NAME                      | QUANTITY | REMARKS      |
|----------------|-----------------|--------------------------------|----------|--------------|
| 1              | 6H4-42711-05-EK | BOTTOM COWLING                 | 1        |              |
| 2              | 90338-05M03-00  | PLUG                           | 1        |              |
| 3              | 6H4-42815-00-00 | LEVER, CLAMP                   | 1        |              |
| 4              | 90206-12052-00  | WASHER, WAVE                   | 1        |              |
| 5              | 90386-12069-00  | BUSH                           | 2        |              |
| 6              | 6H4-42816-00-00 | LEVER, CLAMP                   | 1        |              |
| 7              | 90201-06M02-00  | WASHER, PLATE                  | 1        |              |
| 8              | 97313-06010-00  | BOLT, HEXAGON                  | 1        |              |
| 9              | 6H4-42726-00-00 | GROMMET                        | 1        | UR           |
| 9              | 6H5-42726-00-00 | GROMMET                        | 1        | UR40ET MODEL |
| 10             | 6H4-48531-00-94 | BRACKET, REMOTE CONTROL<br>1   | 1        |              |
| 11             | 6H4-48532-00-94 | BRACKET, REMOTE CONTROL<br>2   | 1        |              |
| 12             | 97313-05016-00  | BOLT, HEXAGON                  | 1        |              |
| 13             | 92990-05600-00  | WASHER, PLATE                  | 1        |              |
| 14             | 97313-06020-00  | BOLT, HEXAGON                  | 2        |              |
| 15             | 92990-06600-00  | WASHER, PLATE                  | 2        |              |
| 16             | 6H4-42724-00-00 | GROMMET                        | 1        |              |
| 17             | 6E5-44391-00-00 | NIPPLE, HOSE                   | 1        |              |
| 18             | 6H4-42716-00-00 | RUBBER, SEAL 1                 | 1        |              |
| 19             | 682-42727-00-00 | GROMMET                        | 1        |              |
| 20             | 90480-09M21-00  | GROMMET                        | 4        |              |
| 21             | 90387-06M41-00  | COLLAR                         | 4        |              |
| 22             | 90201-06416-00  | WASHER, PLATE                  | 4        |              |
| 23             | 97313-06030-00  | BOLT                           | 4        |              |
| 24             | 6H4-42741-00-00 | APRON 1                        | 1        |              |
| 25             | 97313-06016-00  | BOLT, HEXAGON                  | 4        |              |
| 26             | 92990-06600-00  | WASHER, PLATE                  | 4        |              |
| 27             | 6E9-82575-01-00 | ENGINE STOP SWITCH<br>ASSEMBLY | 1        |              |
| 28             | 682-82556-00-00 | .LANYARD, STOP SWITCH          | 1        | 40 MODEL     |
| 29             | 6H4-82537-00-00 | ATTACHMENT, STOP SWITCH        | 1        | 40 MODEL     |
| 30             | 6J8-85410-00-00 | EMERGENCY SIGNAL LIGHT<br>ASSY | 1        | 40 MODEL     |
| 31             | 6H4-85415-10-00 | MARK, SIGNAL LAMP              | 1        | 40 MODEL     |
| 32             | 6H3-42727-00-00 | GROMMET                        | 1        | 40 MODEL     |

## Part Notes

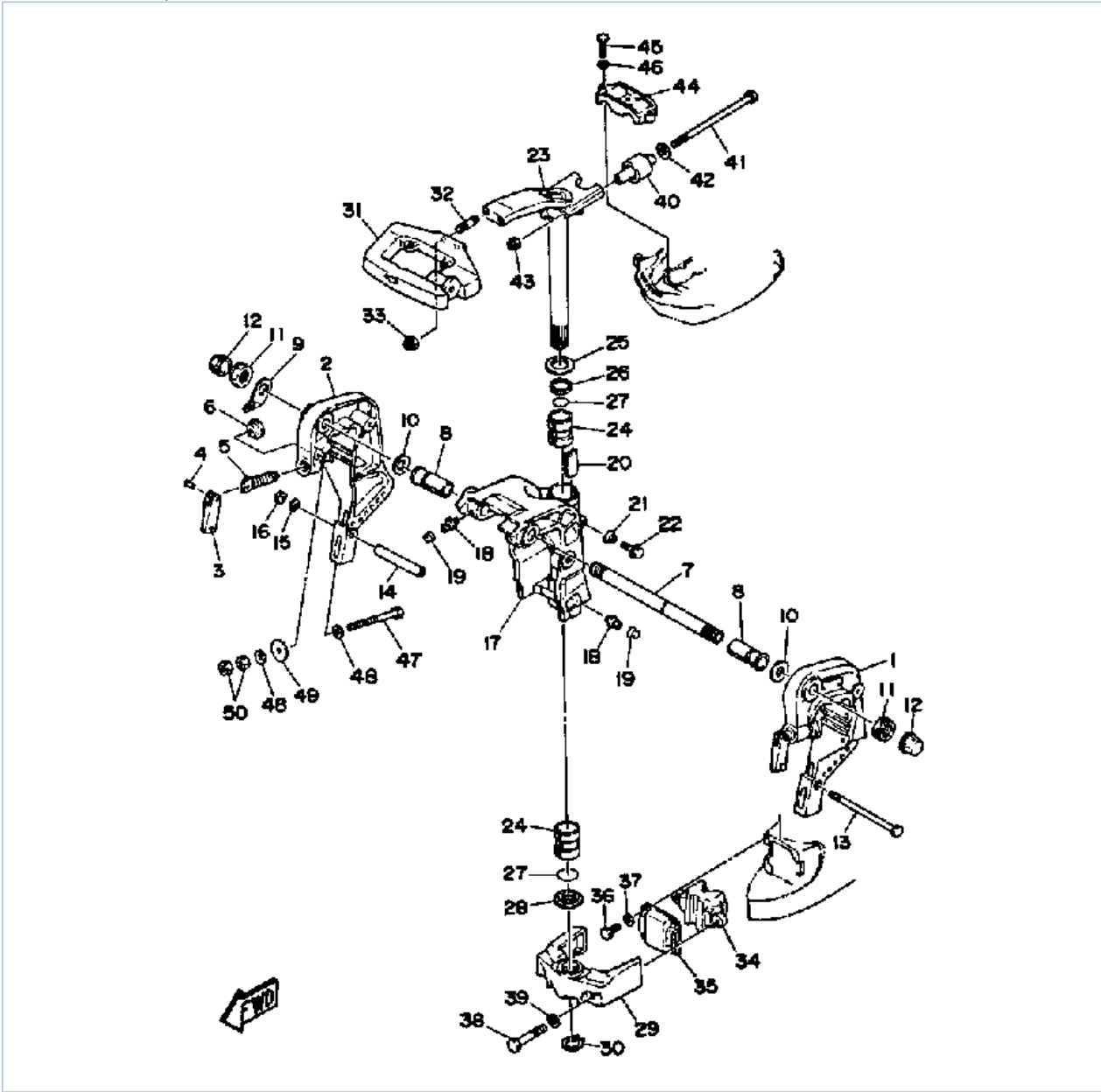
40ELF 1989 / BOTTOM COWLING

| PART NUMBER     |   | NOTE TEXT  |
|-----------------|---|--|
| 92990-06600-00  |  | OEM: This part number is among the Top 100 Most Popular Marine Maintenance Parts as of March 2014. |
| 92990-06600-00  |  | OEM: This part number is among the Top 100 Most Popular Marine Maintenance Parts as of March 2014. |
| 682-82556-00-00 |  | OEM: This part number is among the Top 100 Most Popular Marine Maintenance Parts as of March 2014. |

©2014 Yamaha Motor Corporation, U.S.A. All rights reserved.



40ELF 1989 / BRACKET 1



©2014 Yamaha Motor Corporation, U.S.A. All rights reserved.


## Part List

40ELF 1989 / BRACKET 1

| REF<br>-<br>NO | PART<br>NUMBER  | PART NAME                    | QUANTITY | REMARKS  |
|----------------|-----------------|------------------------------|----------|----------|
| 1              | 6H4-43111-04-EK | BRACKET, CLAMP               | 1        |          |
| 2              | 6H4-43112-04-EK | BRACKET, CLAMP               | 1        |          |
| 3              | 616-43118-00-EK | HANDLE, TRANSOM CLIP         | 2        |          |
| 4              | 90243-04M00-00  | PIN                          | 2        |          |
| 5              | 90149-14M03-00  | SCREW, SPEC"L SHAPE          | 2        |          |
| 6              | 648-43114-01-00 | PAD, TRANSOM CLAMP           | 2        |          |
| 7              | 6J8-43131-01-00 | BOLT, CLAMP BRACKET          | 1        |          |
| 8              | 90386-22M69-00  | BUSH                         | 2        |          |
| 9              | 6J8-43113-01-00 | PLATE, CLAMP BRACKET         | 1        |          |
| 10             | 90201-22428-00  | WASHER, PLATE                | 2        |          |
| 11             | 90185-22043-00  | NUT, SELF-LOCKING            | 2        |          |
| 12             | 6G5-43145-00-00 | CAP, CLAMP BRACKET           | 2        |          |
| 13             | 90101-08339-00  | BOLT                         | 1        |          |
| 14             | 90387-08M03-00  | COLLAR                       | 1        |          |
| 15             | 92990-08600-00  | ..WASHER, PLATE              | 1        |          |
| 16             | 95380-08600-00  | NUT                          | 1        |          |
| 17             | 6J8-43311-04-EK | BRACKET, SWIVEL 1            | 1        |          |
| 18             | 93700-06M03-00  | NIPPLE, GREASE               | 3        |          |
| 19             | 663-45119-00-00 | CAP, GREASE NIPPLE           | 3        |          |
| 20             | 6J8-42528-00-00 | PLATE, FRICTION              | 1        |          |
| 21             | 689-43373-01-00 | SEAL, DAMPER                 | 1        |          |
| 22             | 90105-06M18-00  | BOLT, FLANGE                 | 1        |          |
| 23             | 6H4-42510-12-EK | STEERING<br>BRACKETASSEMBLY  | 1        |          |
| 24             | 90386-30M77-00  | BUSH                         | 2        |          |
| 25             | 90201-30M00-00  | WASHER, PLATE                | 1        |          |
| 26             | 90386-30M78-00  | BUSH                         | 1        |          |
| 27             | 93210-29M94-00  | O-RING                       | 2        |          |
| 28             | 90386-30M60-00  | BUSH                         | 1        |          |
| 29             | 6H4-44551-01-EK | HOUSING, LOWER MOUNT         | 1        |          |
| 30             | 93410-28M06-00  | CIRCLIP                      | 1        |          |
| 31             | 6H4-42121-02-5B | BRACKET                      | 1        |          |
| 32             | 90116-10175-00  | BOLT, STUD                   | 2        |          |
| 33             | 90185-10051-00  | NUT, SELF-LOCKING            | 2        |          |
| 34             | 6H4-44557-10-00 | MOUNT DAMPER, LOWER<br>FRONT | 1        | UR LONG  |
| 34             | 6H4-44557-00-00 | MOUNT DAMPER, LOWER<br>FRONT | 1        | UR SHORT |
| 35             | 6H4-44553-01-00 | COVER, LOWER MOUNT           | 1        |          |
| 36             | 97395-08025-00  | BOLT                         | 4        |          |
| 37             | 92990-08600-00  | ..WASHER, PLATE              | 4        |          |
| 38             | 97395-10060-00  | BOLT                         | 2        |          |
| 39             | 92990-10600-00  | WASHER, PLATE                | 2        |          |
| 40             | 6H4-44514-00-00 | MOUNT DAMPER, UPPER<br>SIDE  | 2        |          |
| 41             | 90101-08M86-00  | BOLT                         | 2        |          |
| 42             | 90201-09425-00  | WASHER, PLATE                | 2        |          |
| 43             | 90185-08045-00  | NUT, SELF-LOCKING            | 2        |          |
| 44             | 6H4-44511-00-94 | COVER, UPPER MOUNT           | 1        |          |
| 45             | 97090-08035-00  | BOLT                         | 3        |          |
| 46             | 92990-08100-00  | WASHER, SPRING               | 3        |          |
| 47             | 90101-10M58-00  | BOLT                         | 4        |          |
| 48             | 92995-10600-00  | WASHER                       | 8        |          |
| 49             | 90201-12426-00  | WASHER, PLATE                | 4        |          |
| 50             | 95380-10600-00  | NUT                          | 8        |          |

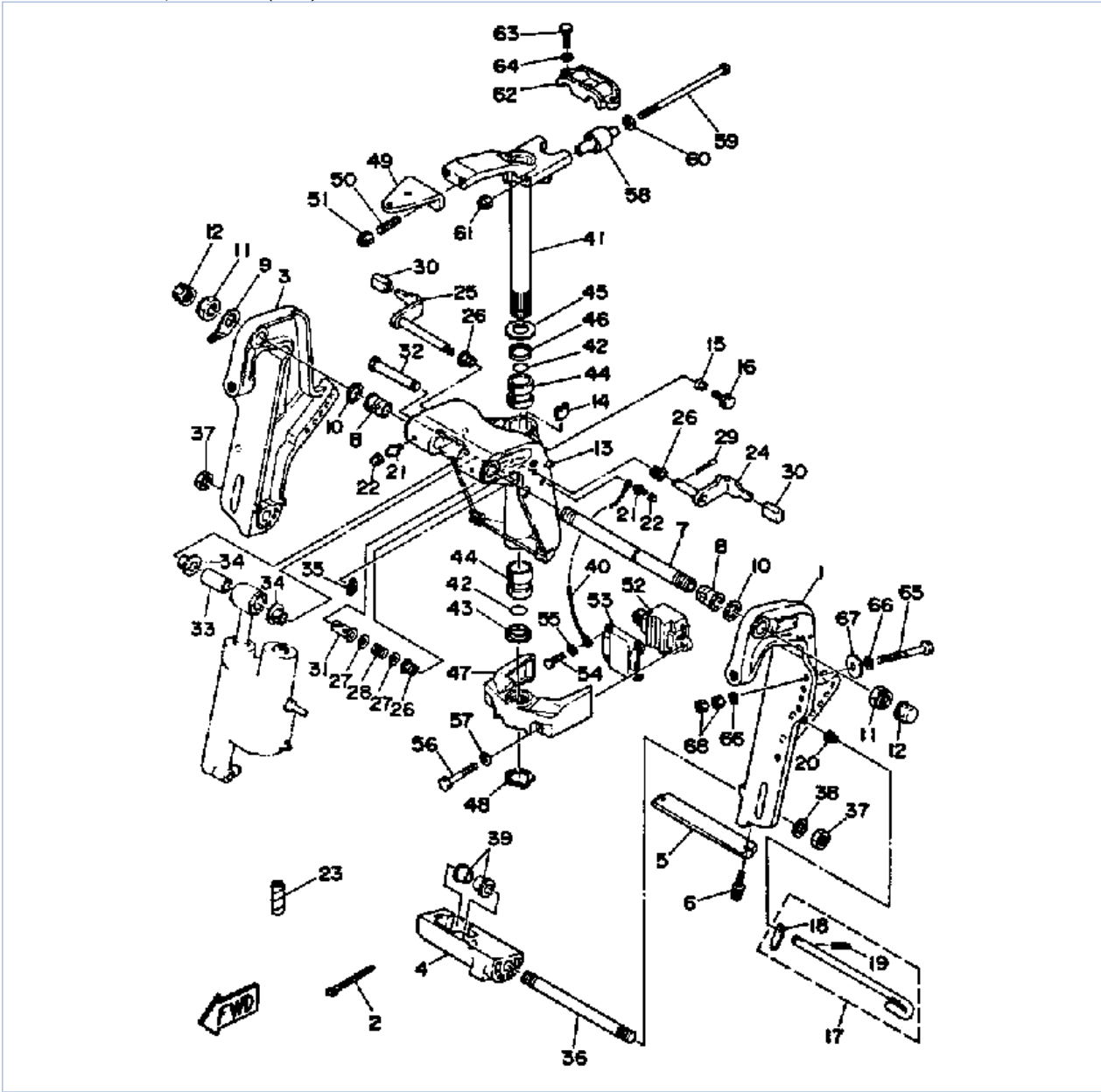
## Part Notes

40ELF 1989 / BRACKET 1

| PART NUMBER    |   | NOTE TEXT  |
|----------------|---|--|
| 92990-10600-00 |  | OEM: This part number is among the Top 100 Most Popular Marine Maintenance Parts as of March 2014. |

©2014 Yamaha Motor Corporation, U.S.A. All rights reserved.

40ELF 1989 / BRACKET 1 (40ET)



©2014 Yamaha Motor Corporation, U.S.A. All rights reserved.

## Part List



40ELF 1989 / BRACKET 1 (40ET)

| REF<br>-<br>NO | PART<br>NUMBER  | PART NAME                    | QUANTITY | REMARKS |
|----------------|-----------------|------------------------------|----------|---------|
| 1              | 6H5-43111-02-EK | BRACKET, CLAMP               | 1        |         |
| 2              | 90465-11M10-00  | CLAMP                        | 1        |         |
| 3              | 6H5-43112-03-EK | BRACKET, CLAMP               | 1        |         |
| 4              | 6H5-43128-01-EK | SPACER, CLAMP BRACKET        | 1        |         |
| 5              | 6H1-45251-01-00 | ANODE                        | 1        |         |
| 6              | 90119-06M52-00  | BOLT                         | 2        |         |
| 7              | 6J8-43131-01-00 | BOLT, CLAMP BRACKET          | 1        |         |
| 8              | 90386-22M15-00  | BUSH                         | 2        |         |
| 9              | 6J8-43113-01-00 | PLATE, CLAMP BRACKET         | 1        |         |
| 10             | 90201-22428-00  | WASHER, PLATE                | 2        |         |
| 11             | 90185-22043-00  | NUT, SELF-LOCKING            | 2        |         |
| 12             | 6G5-43145-00-00 | CAP, CLAMP BRACKET           | 2        |         |
| 13             | 6H5-43311-03-EK | BRACKET, SWIVEL 1            | 1        |         |
| 14             | 6J8-42528-00-00 | PLATE, FRICTION              | 1        |         |
| 15             | 689-43373-01-00 | SEAL, DAMPER                 | 1        |         |
| 16             | 90105-06M18-00  | BOLT, FLANGE                 | 1        |         |
| 17             | 676-43160-02-00 | TILT ROD ASSY                | 1        |         |
| 18             | 676-43165-00-00 | .PLATE, TILT LOCK            | 1        |         |
| 19             | 91690-30012-00  | .PIN, SPRING                 | 1        |         |
| 20             | 90502-10M04-00  | SPRING, CONICAL              | 1        |         |
| 21             | 93700-06M03-00  | NIPPLE, GREASE               | 3        |         |
| 22             | 663-45119-00-00 | CAP, GREASE NIPPLE           | 3        |         |
| 23             | 90446-10M01-00  | HOSE (L60)                   | 2        |         |
| 24             | 6H5-43181-02-00 | LEVER, TILT STOP             | 1        |         |
| 25             | 6H5-43185-02-00 | LEVER, TILT STOP             | 1        |         |
| 26             | 90386-10M16-00  | BUSH                         | 3        |         |
| 27             | 92990-10600-00  | WASHER, PLATE                | 2        |         |
| 28             | 90501-10M21-00  | SPRING, COMPRESSION          | 1        |         |
| 29             | 91490-30040-00  | PIN, COTTER                  | 1        |         |
| 30             | 663-43318-00-00 | COVER                        | 2        |         |
| 31             | 90386-10M19-00  | BUSH                         | 1        |         |
| 32             | 6H5-43126-02-00 | PIN, UPPER SHOCK MOUNT       | 1        |         |
| 33             | 90386-12M65-00  | BUSH                         | 1        |         |
| 34             | 90386-12M64-00  | BUSH                         | 2        |         |
| 35             | 93410-12M08-00  | CIRCLIP                      | 1        |         |
| 36             | 90116-18M21-00  | BOLT, STUD                   | 1        |         |
| 37             | 90170-18M10-00  | NUT                          | 2        |         |
| 38             | 92990-18600-00  | WASHER                       | 1        |         |
| 39             | 90386-18M44-00  | BUSH                         | 2        |         |
| 40             | 6H5-82127-00-00 | WIRE, LEAD 2                 | 1        |         |
| 41             | 6H4-42510-02-EK | STEERING BRACKET<br>ASSEMBLY | 1        |         |
| 42             | 93210-29M94-00  | O-RING                       | 2        |         |
| 43             | 90386-30M60-00  | BUSH                         | 1        |         |
| 44             | 90386-30M77-00  | BUSH                         | 2        |         |
| 45             | 90201-30M00-00  | WASHER, PLATE                | 1        |         |
| 46             | 90386-30M78-00  | BUSH                         | 1        |         |
| 47             | 6H4-44551-01-EK | HOUSING, LOWER MOUNT         | 1        |         |
| 48             | 93410-28M06-00  | CIRCLIP                      | 1        |         |
| 49             | 6H4-48511-51-EK | HOOK, STEERING               | 1        |         |
| 50             | 90116-10175-00  | BOLT, STUD                   | 2        |         |
| 51             | 90185-10051-00  | NUT, SELF-LOCKING            | 2        |         |
| 52             | 6H4-44557-00-00 | MOUNT DAMPER, LOWER<br>FRONT | 1        | UR LONG |

|    |                 |                           |   |          |
|----|-----------------|---------------------------|---|----------|
| 52 | 6H4-44557-10-00 | MOUNT DAMPER, LOWER FRONT | 1 | UR SHORT |
| 53 | 6H4-44553-01-00 | COVER, LOWER MOUNT        | 1 |          |
| 54 | 97395-08025-00  | BOLT                      | 4 |          |
| 55 | 92990-08600-00  | ..WASHER, PLATE           | 4 |          |
| 56 | 97395-10060-00  | BOLT                      | 2 |          |
| 57 | 92990-10600-00  | WASHER, PLATE             | 2 |          |
| 58 | 6H4-44514-00-00 | MOUNT DAMPER, UPPER SIDE  | 2 |          |
| 59 | 90101-08M86-00  | BOLT                      | 2 |          |
| 60 | 90201-09425-00  | WASHER, PLATE             | 2 |          |
| 61 | 90185-08045-00  | NUT, SELF-LOCKING         | 2 |          |
| 62 | 6H4-44511-00-94 | COVER, UPPER MOUNT        | 1 |          |
| 63 | 97090-08035-00  | BOLT                      | 3 |          |
| 64 | 92990-08100-00  | WASHER, SPRING            | 3 |          |
| 65 | 90101-12M65-00  | BOLT                      | 4 |          |
| 66 | 92990-12200-00  | WASHER, PLAIN             | 8 |          |
| 67 | 90201-12426-00  | WASHER, PLATE             | 4 |          |
| 68 | 95380-12600-00  | NUT                       | 8 |          |

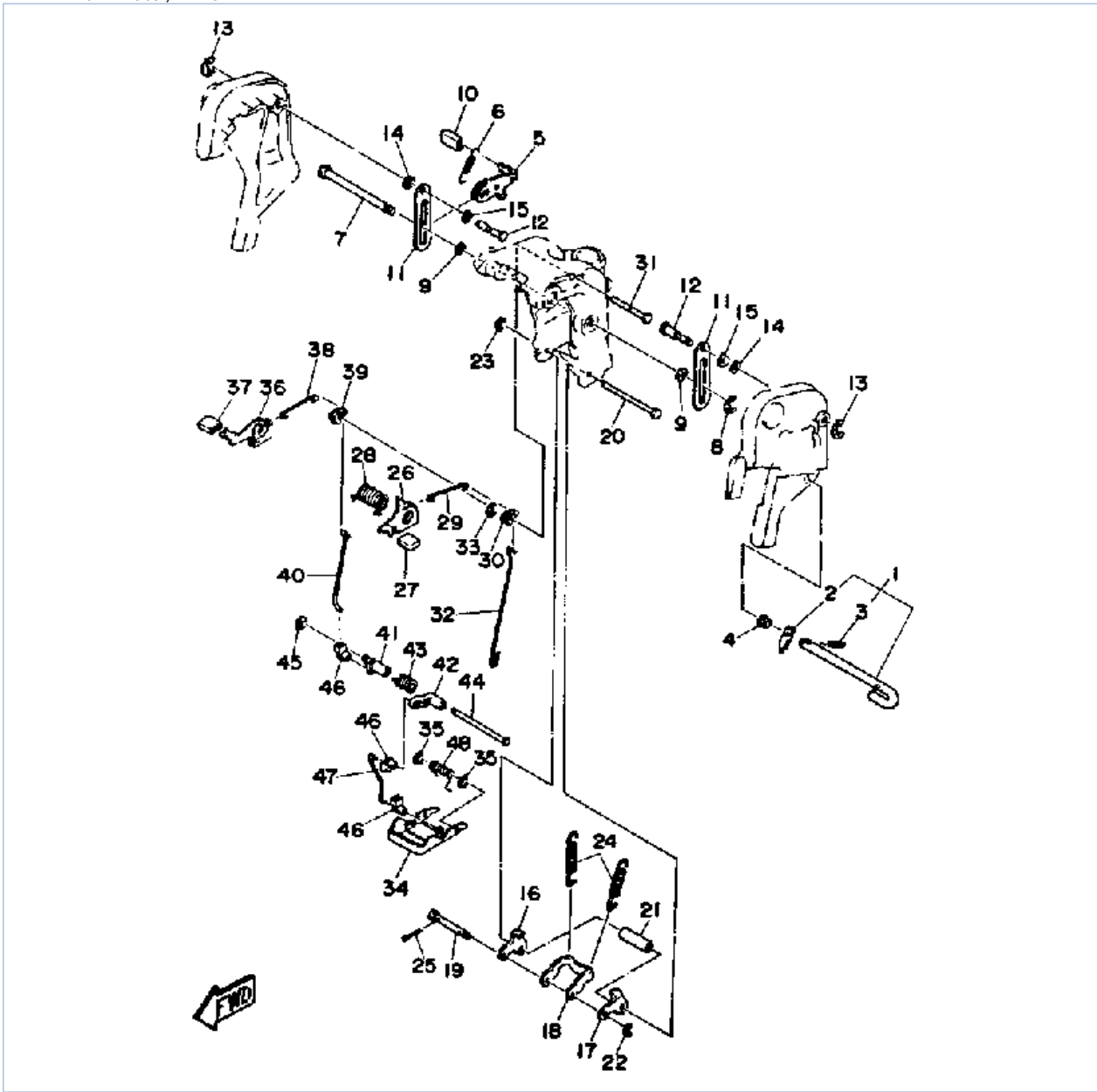
## Part Notes

40ELF 1989 / BRACKET 1 (40ET)

| PART NUMBER    |   | NOTE TEXT  |
|----------------|---|--|
| 92990-10600-00 |  | OEM: This part number is among the Top 100 Most Popular Marine Maintenance Parts as of March 2014. |
| 92990-10600-00 |  | OEM: This part number is among the Top 100 Most Popular Marine Maintenance Parts as of March 2014. |

©2014 Yamaha Motor Corporation, U.S.A. All rights reserved.

40ELF 1989 / BRACKET 2



©2014 Yamaha Motor Corporation, U.S.A. All rights reserved.

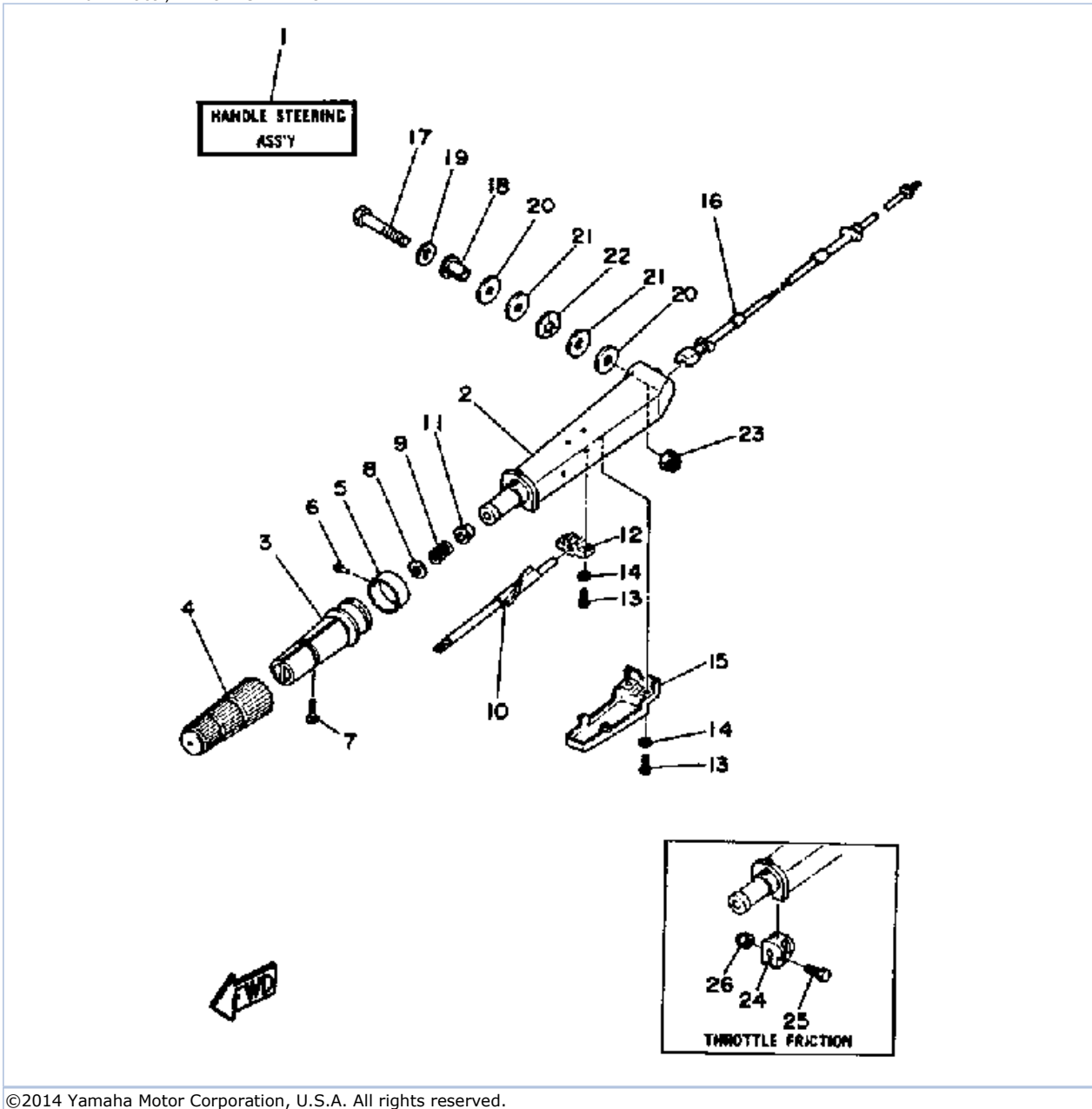
## Part List

40ELF 1989 / BRACKET 2

| REF<br>-<br>NO | PART<br>NUMBER  | PART NAME                       | QUANTITY | REMARKS |
|----------------|-----------------|---------------------------------|----------|---------|
| 1              | 6H4-43160-01-00 | TILT ROD ASSY                   | 1        |         |
| 2              | 676-43165-00-00 | .PLATE, TILT LOCK               | 1        |         |
| 3              | 91690-30010-00  | .PIN, SPRING                    | 1        |         |
| 4              | 90502-10M04-00  | SPRING, CONICAL                 | 1        |         |
| 5              | 6J8-43181-01-00 | LEVER, TILT STOP                | 1        |         |
| 6              | 90506-12M25-00  | SPRING, TENSION                 | 1        |         |
| 7              | 90249-12M28-00  | PIN                             | 1        |         |
| 8              | 93430-10M00-00  | CIRCLIP                         | 1        |         |
| 9              | 90202-12031-00  | WASHER, PLATE                   | 2        |         |
| 10             | 682-43318-01-00 | COVER                           | 1        |         |
| 11             | 6J8-43627-00-00 | STOPPER                         | 2        |         |
| 12             | 90249-12M27-00  | PIN                             | 2        |         |
| 13             | 93430-10M00-00  | CIRCLIP                         | 2        |         |
| 14             | 90202-12031-00  | WASHER, PLATE                   | 2        |         |
| 15             | 90206-12M16-00  | WASHER, WAVE                    | 2        |         |
| 16             | 6J8-43614-00-00 | PLATE, TILT LOCK                | 1        |         |
| 17             | 6J8-43615-00-00 | PLATE, TILT LOCK                | 1        |         |
| 18             | 6J8-43613-01-00 | ARM, TILT LOCK                  | 1        |         |
| 19             | 6H4-43659-00-00 | SHAFT, REVERSE LOCK             | 1        |         |
| 20             | 6J8-43611-01-00 | SHAFT, TILT LOCK                | 1        |         |
| 21             | 90387-07M64-00  | COLLAR                          | 1        |         |
| 22             | 93430-06M02-00  | .CIRCLIP                        | 1        |         |
| 23             | 99080-05600-00  | CIRCLIP                         | 1        |         |
| 24             | 90506-32M22-00  | SPRING, TENSION                 | 2        |         |
| 25             | 91490-20015-00  | PIN. COTTER                     | 2        |         |
| 26             | 6J8-43631-00-00 | LEVER, TILT                     | 1        |         |
| 27             | 6J8-43633-00-00 | COVER, TILT LEVER               | 1        |         |
| 28             | 90508-18M23-00  | SPRING, TORSION                 | 1        |         |
| 29             | 6H4-43616-00-00 | ROD, TILT LOCK                  | 1        |         |
| 30             | 6J8-43641-00-00 | LEVER, TILT                     | 1        |         |
| 31             | 90249-06M24-00  | PIN                             | 1        |         |
| 32             | 6J8-43617-00-00 | ROD, TILT LOCK                  | 1        |         |
| 33             | 99080-05600-00  | CIRCLIP                         | 1        |         |
| 34             | 6J8-43681-01-00 | LEVER, SHALLOW WATER<br>DRIVE 1 | 1        |         |
| 35             | 6J8-43673-00-00 | WASHER 1                        | 2        |         |
| 36             | 6J8-43631-10-00 | LEVER, TILT                     | 1        |         |
| 37             | 6J8-43633-00-00 | COVER, TILT LEVER               | 1        |         |
| 38             | 6H4-43616-00-00 | ROD, TILT LOCK                  | 1        |         |
| 39             | 6J8-43641-00-00 | LEVER, TILT                     | 1        |         |
| 40             | 6J8-43617-10-00 | ROD, TILT LOCK                  | 1        |         |
| 41             | 6J8-43186-00-00 | LEVER                           | 1        |         |
| 42             | 6J8-43187-00-00 | LEVER 2                         | 1        |         |
| 43             | 90508-25M21-00  | SPRING, TORSION                 | 1        |         |
| 44             | 90249-07M25-00  | PIN                             | 1        |         |
| 45             | 99080-05600-00  | CIRCLIP                         | 1        |         |
| 46             | 6J8-41262-00-00 | JOINT, CHOKE LEVER              | 3        |         |
| 47             | 6J8-43616-10-00 | ROD, TILT LOCK                  | 1        |         |
| 48             | 90508-20M22-00  | SPRING, TORSION                 | 1        |         |



40ELF 1989 / MANUAL STEERING



©2014 Yamaha Motor Corporation, U.S.A. All rights reserved.


## Part List

40ELF 1989 / MANUAL STEERING

| REF<br>-<br>NO | PART<br>NUMBER  | PART NAME                         | QUANTITY | REMARKS |
|----------------|-----------------|-----------------------------------|----------|---------|
| 1              | 6H4-W0084-04-EK | STEERING HNDLE.ASSEMBLY           | 1        |         |
| 2              | 6H4-42111-01-EK | HANDLE, STEERING                  | 1        |         |
| 3              | 664-42119-00-00 | GRIP, STEERING HANDLE             | 1        |         |
| 4              | 6G1-42177-00-00 | RUBBER, HANDLE                    | 1        |         |
| 5              | 6L2-42137-00-00 | INDICATOR, THROTTLE               | 1        |         |
| 6              | 90269-02M09-00  | RIVET                             | 1        |         |
| 7              | 98680-05525-00  | SCREW.OVAL HEAD                   | 1        |         |
| 8              | 92990-10600-00  | WASHER, PLATE                     | 1        |         |
| 9              | 90501-23215-00  | SPRING, COMPRESSION               | 1        |         |
| 10             | 6H4-42138-01-00 | LEVER, THROTTLE                   | 1        |         |
| 11             | 90386-08032-00  | BUSH                              | 1        |         |
| 12             | 6H4-42159-00-00 | STAY                              | 1        |         |
| 13             | 98580-05016-00  | SCREW, PAN HEAD                   | 4        |         |
| 14             | 92901-05600-00  | WASHER                            | 4        |         |
| 15             | 6H4-42131-00-00 | COVER, HANDLE STEERING            | 1        |         |
| 16             | 6H4-26311-03-00 | CABLE, THROTTLE 1                 | 1        |         |
| 17             | 90101-12M37-00  | BOLT                              | 1        |         |
| 18             | 90386-12089-00  | BUSH                              | 1        |         |
| 19             | 92990-12200-00  | WASHER, PLAIN                     | 1        |         |
| 20             | 90202-12092-00  | WASHER, PLATE                     | 2        |         |
| 21             | 90201-12537-00  | WASHER, PLATE                     | 2        |         |
| 22             | 90206-12054-00  | WASHER, WAVE                      | 1        |         |
| 23             | 90185-12058-00  | NUT, SELF-LOCKING                 | 1        |         |
| 24             | 656-42126-01-00 | FRICTION, STEERING<br>HANDLE GRIP | 1        |         |
| 25             | 97395-06020-00  | BOLT, HEXAGON                     | 1        |         |
| 26             | 90185-06062-00  | NUT, SELF-LOCKING                 | 1        |         |

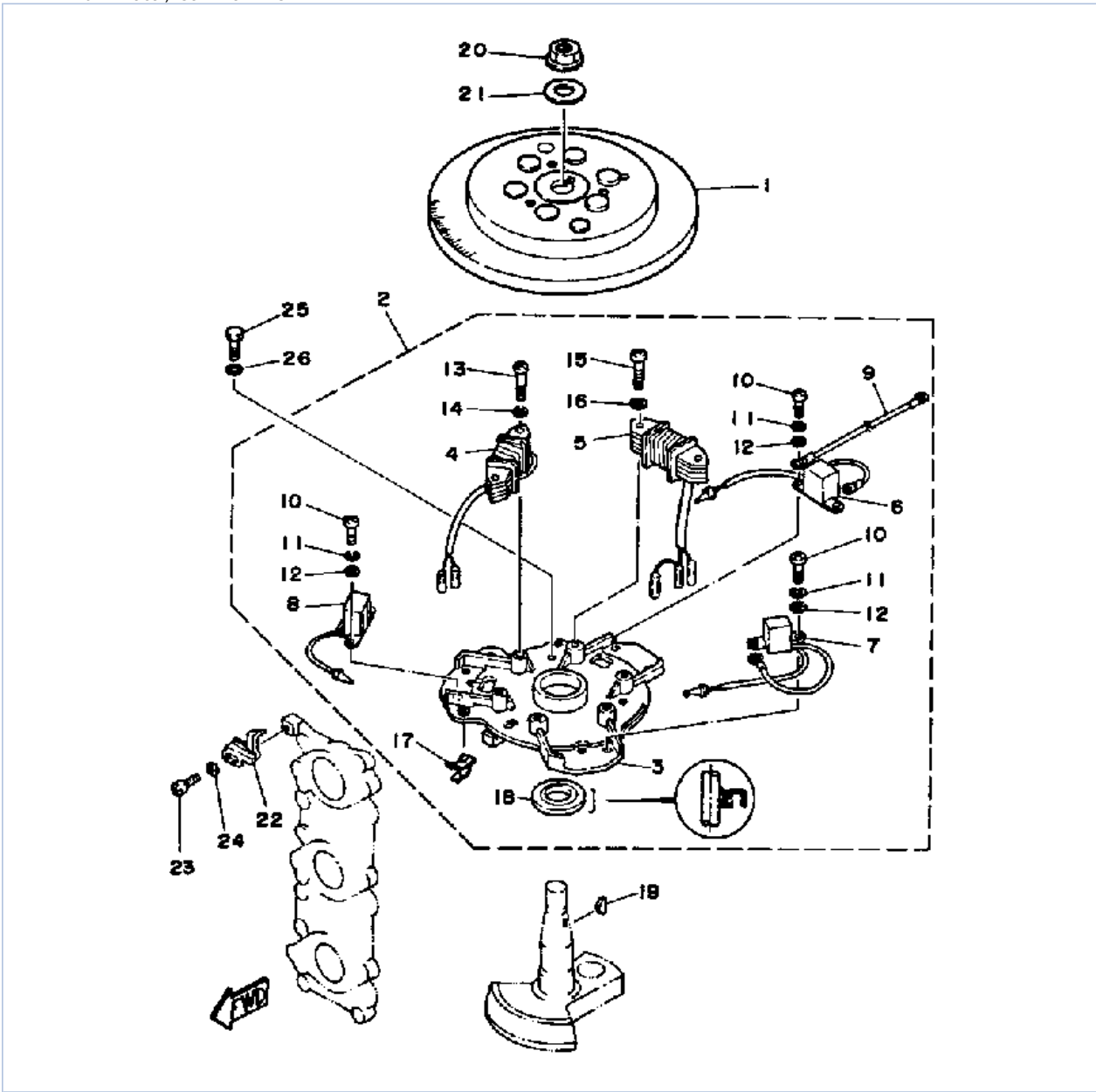
## Part Notes

40ELF 1989 / MANUAL STEERING

| PART NUMBER  | NOTE TEXT  |
|--|--|
| 92990-10600-00  | OEM: This part number is among the Top 100 Most Popular Marine Maintenance Parts as of March 2014. |

©2014 Yamaha Motor Corporation, U.S.A. All rights reserved.

40ELF 1989 / CONTROL ENGINE



©2014 Yamaha Motor Corporation, U.S.A. All rights reserved.



## Part List

40ELF 1989 / CONTROL ENGINE

| REF<br>-<br>NO | PART<br>NUMBER  | PART NAME                  | QUANTITY | REMARKS           |
|----------------|-----------------|----------------------------|----------|-------------------|
| 1              | 6H4-41213-14-00 | CAM, ACCEL.                | 1        | UR                |
| 1              | 6H4-41213-A1-00 | CAM, ACCEL.                | 1        | UR ALASKA35 MODEL |
| 1              | 90109-06M43-00  | BOLT                       | 1        |                   |
| 3              | 6H4-41632-01-00 | LEVER, MAGNETO CONTROL     | 1        |                   |
| 4              | 90508-26M20-00  | SPRING, TORSION            | 1        |                   |
| 5              | 6G5-41636-01-00 | ROD, MAGNETO CONTROL       | 1        |                   |
| 6              | 6H4-41237-00-00 | JOINT, LINK                | 1        |                   |
| 7              | 95380-05600-00  | NUT                        | 1        |                   |
| 8              | 90387-06M19-00  | COLLAR                     | 1        |                   |
| 9              | 97313-06025-00  | BOLT                       | 1        |                   |
| 10             | 90157-06M13-00  | SCREW, PAN HEAD            | 1        |                   |
| 11             | 95380-06600-00  | NUT, HEXAGON               | 1        |                   |
| 12             | 688-44194-00-00 | CAP                        | 1        |                   |
| 13             | 6H4-44111-00-00 | HANDLE, GEAR SHIFT         | 1        |                   |
| 14             | 682-44132-00-00 | BUSHING                    | 1        |                   |
| 15             | 6H4-44121-02-00 | LEVER, SHIFT ROD           | 1        |                   |
| 16             | 91690-30318-00  | PIN, SPRING                | 1        |                   |
| 17             | 6H4-44116-00-00 | SPRING                     | 1        |                   |
| 18             | 682-44117-00-00 | BRACKET                    | 1        |                   |
| 18             | 682-44117-00-00 | BRACKET                    | 1        |                   |
| 19             | 97313-06016-00  | BOLT, HEXAGON              | 1        |                   |
| 20             | 6H4-44125-01-00 | LEVER, SHIFT ROD           | 1        |                   |
| 21             | 91690-30316-00  | PIN, SPRING                | 1        |                   |
| 22             | 6F5-41662-00-00 | BRACKET 2                  | 1        |                   |
| 23             | 97313-06020-00  | BOLT, HEXAGON              | 2        |                   |
| 24             | 92990-06600-00  | WASHER, PLATE              | 2        |                   |
| 25             | 6H4-44143-00-00 | ROD, SHIFT                 | 1        |                   |
| 26             | 91790-05020-00  | PIN, CLEVIS                | 1        |                   |
| 27             | 92990-05600-00  | WASHER, PLATE              | 1        |                   |
| 28             | 91490-16010-00  | PIN. COTTER                | 1        |                   |
| 29             | 648-44146-00-00 | CONNECTOR, SHIFT ROD       | 1        |                   |
| 30             | 6H4-41633-01-00 | LEVER, MAGNETO CONTROL     | 1        |                   |
| 31             | 97313-05020-00  | BOLT, HEXAGON              | 1        |                   |
| 32             | 92990-05600-00  | WASHER, PLATE              | 1        |                   |
| 33             | 90113-05M06-00  | BOLT, SET                  | 1        |                   |
| 34             | 95303-05700-00  | .NUT                       | 1        |                   |
| 35             | 663-48344-00-00 | .CABLE END, REMOTE CONTROL | 1        |                   |
| 36             | 90468-18008-00  | CLIP                       | 1        |                   |
| 37             | 90170-07021-00  | NUT                        | 1        |                   |

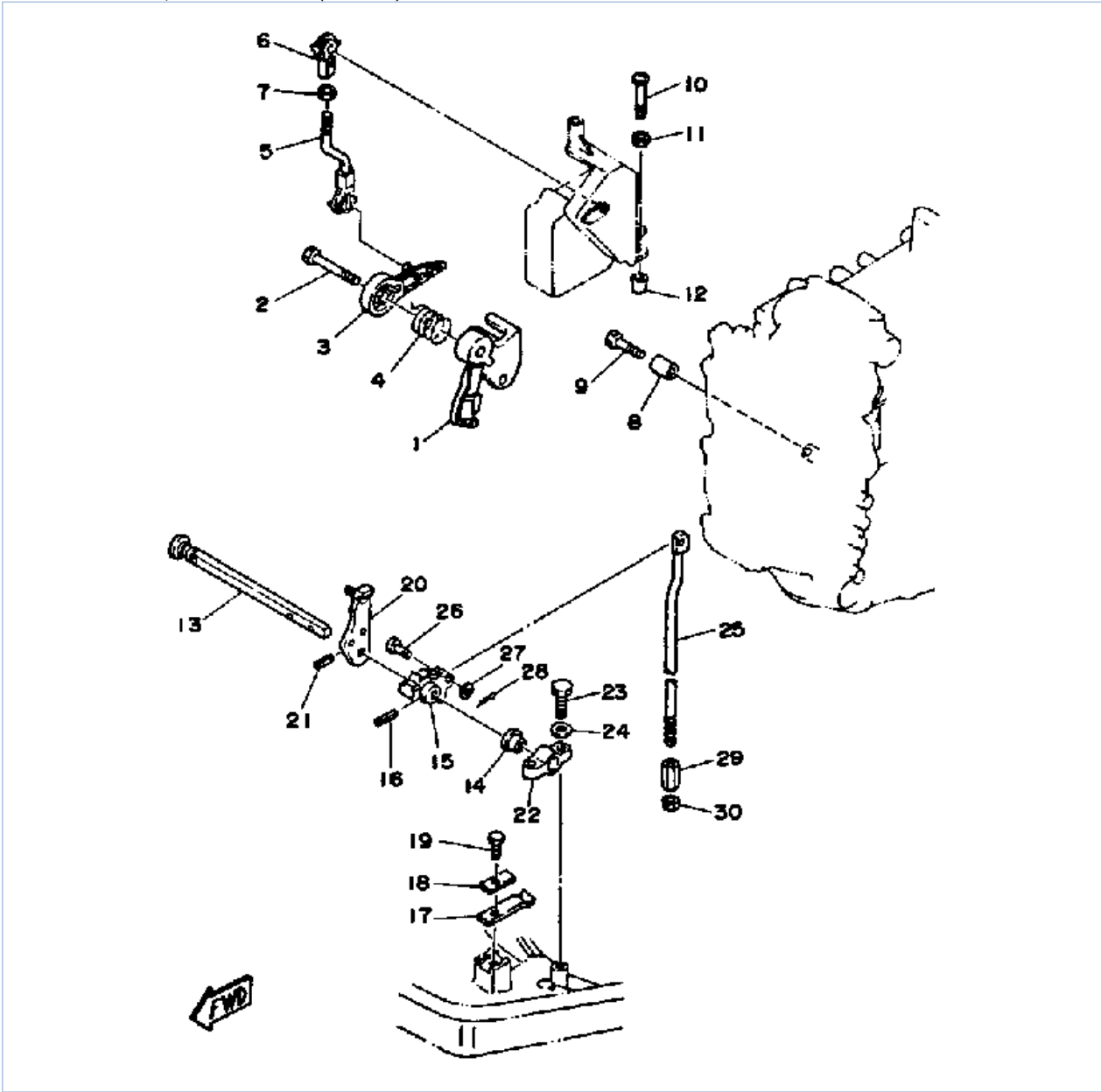
## Part Notes

40ELF 1989 / CONTROL ENGINE

| PART NUMBER  | NOTE TEXT  |
|--|--|
| 92990-06600-00  | OEM: This part number is among the Top 100 Most Popular Marine Maintenance Parts as of March 2014. |
| 90468-18008-00  | OEM: This part number is among the Top 100 Most Popular Marine Maintenance Parts as of March 2014. |

©2014 Yamaha Motor Corporation, U.S.A. All rights reserved.

40ELF 1989 / CONTROL ENGINE (40E 40ET)



©2014 Yamaha Motor Corporation, U.S.A. All rights reserved.


## Part List

40ELF 1989 / CONTROL ENGINE (40E 40ET)

| REF - NO | PART NUMBER     | PART NAME              | QUANTITY | REMARKS           |
|----------|-----------------|------------------------|----------|-------------------|
| 1        | 6H4-41213-04-00 | CAM, ACCEL.            | 1        | UR                |
| 1        | 6H4-41213-E1-00 | CAM, ACCEL.            | 1        | UR ALASKA35 MODEL |
| 2        | 90109-06M43-00  | BOLT                   | 1        |                   |
| 3        | 6H4-41632-01-00 | LEVER, MAGNETO CONTROL | 1        |                   |
| 4        | 90508-26M20-00  | SPRING, TORSION        | 1        |                   |
| 5        | 6G5-41636-01-00 | ROD, MAGNETO CONTROL   | 1        |                   |
| 6        | 6H4-41237-00-00 | JOINT, LINK            | 1        |                   |
| 7        | 95380-05600-00  | NUT                    | 1        |                   |
| 8        | 90387-06M19-00  | COLLAR                 | 1        |                   |
| 9        | 97313-06025-00  | BOLT                   | 1        |                   |
| 10       | 90157-06M13-00  | SCREW, PAN HEAD        | 2        |                   |
| 11       | 95380-06600-00  | NUT, HEXAGON           | 2        |                   |
| 12       | 688-44194-00-00 | CAP                    | 2        |                   |
| 13       | 6H4-44111-10-00 | HANDLE, GEAR SHIFT     | 1        |                   |
| 14       | 682-44132-00-00 | BUSHING                | 1        |                   |
| 15       | 6H4-44121-02-00 | LEVER, SHIFT ROD       | 1        |                   |
| 16       | 91690-30318-00  | PIN, SPRING            | 1        |                   |
| 17       | 6H4-44116-00-00 | SPRING                 | 1        |                   |
| 18       | 682-44117-00-00 | BRACKET                | 1        |                   |
| 19       | 97313-06016-00  | BOLT, HEXAGON          | 1        |                   |
| 20       | 6H4-44125-01-00 | LEVER, SHIFT ROD       | 1        |                   |
| 21       | 91690-30316-00  | PIN, SPRING            | 1        |                   |
| 22       | 6F5-41662-00-00 | BRACKET 2              | 1        |                   |
| 23       | 97313-06020-00  | BOLT, HEXAGON          | 2        |                   |
| 24       | 92990-06600-00  | WASHER, PLATE          | 2        |                   |
| 25       | 6H4-44143-00-00 | ROD, SHIFT             | 1        |                   |
| 26       | 91790-05020-00  | PIN, CLEVIS            | 1        |                   |
| 27       | 92990-05600-00  | WASHER, PLATE          | 1        |                   |
| 28       | 91490-16010-00  | PIN. COTTER            | 1        |                   |
| 29       | 648-44146-00-00 | CONNECTOR, SHIFT ROD   | 1        |                   |
| 30       | 90170-07021-00  | NUT                    | 1        |                   |

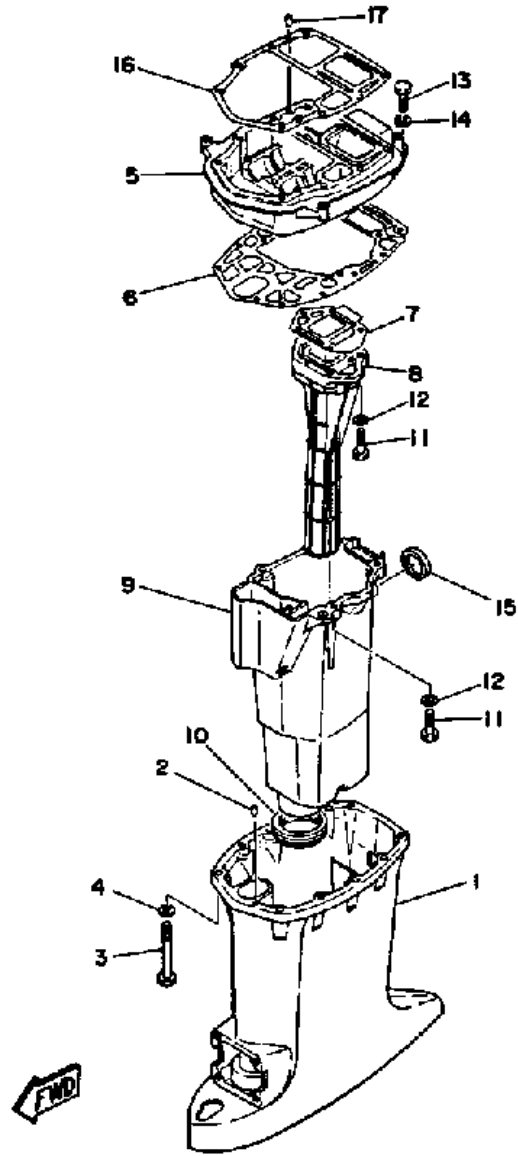
## Part Notes

40ELF 1989 / CONTROL ENGINE (40E 40ET)

| PART NUMBER  | NOTE TEXT  |
|--|--|
| 92990-06600-00  | OEM: This part number is among the Top 100 Most Popular Marine Maintenance Parts as of March 2014. |

©2014 Yamaha Motor Corporation, U.S.A. All rights reserved.

40ELF 1989 / UPPER CASING



©2014 Yamaha Motor Corporation, U.S.A. All rights reserved.

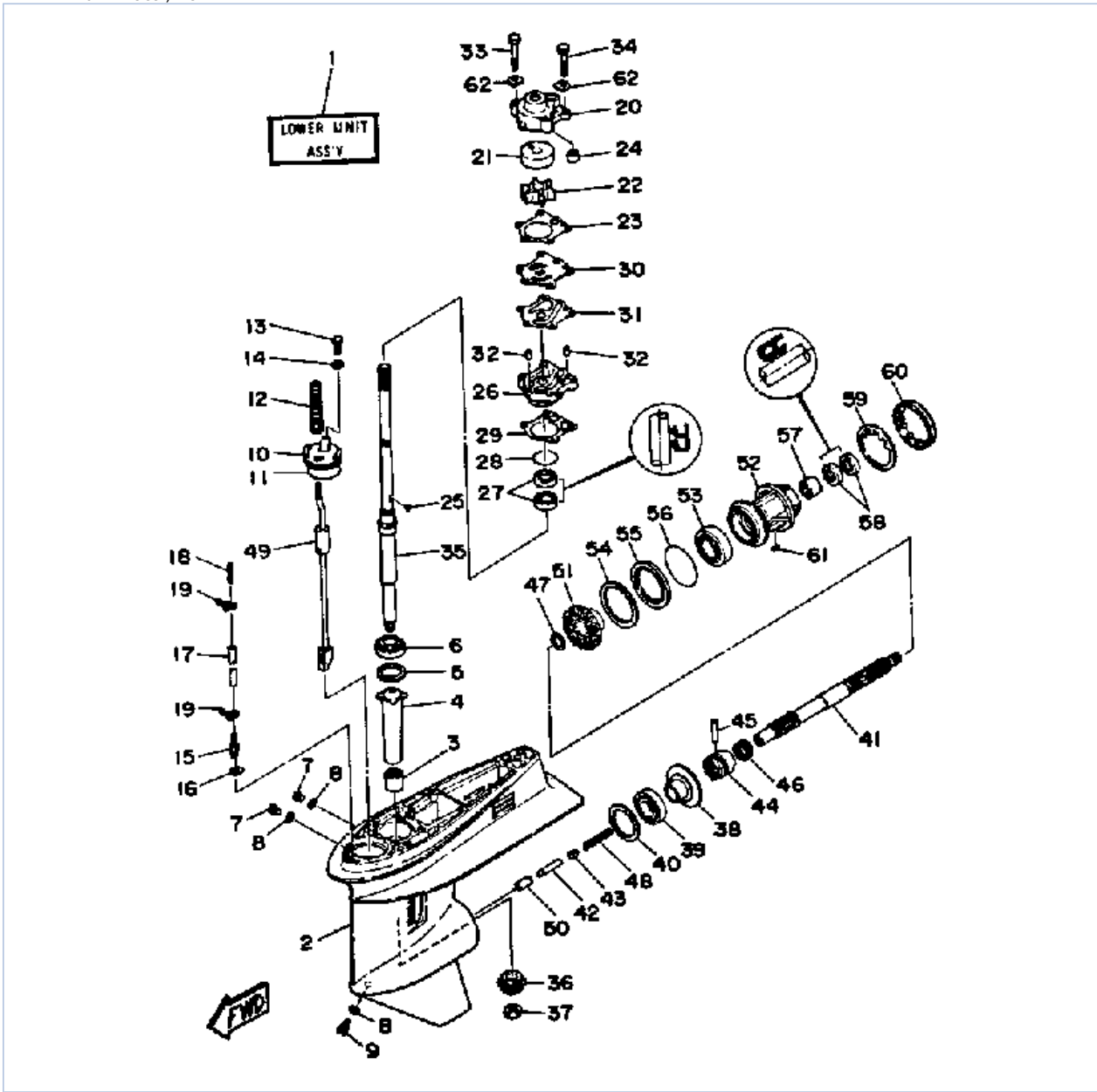
## Part List

40ELF 1989 / UPPER CASING

| REF<br>-<br>NO | PART<br>NUMBER  | PART NAME                     | QUANTITY | REMARKS  |
|----------------|-----------------|-------------------------------|----------|----------|
| 1              | 6H4-45111-00-EK | CASING, UPPER                 | 1        | UR SHORT |
| 1              | 6H4-45111-10-EK | CASING, UPPER                 | 1        | UR LONG  |
| 2              | 93606-12019-00  | .PIN, DOWEL                   | 2        |          |
| 3              | 97395-08080-00  | BOLT, HEXAGON                 | 8        |          |
| 4              | 92990-08600-00  | ..WASHER, PLATE               | 8        |          |
| 5              | 6H4-41137-00-94 | GUIDE, EXHAUST                | 1        |          |
| 6              | 6H4-45114-A1-00 | GASKET, UPPER CASING          | 1        |          |
| 7              | 6H4-41134-A0-00 | GASKET, EXHAUST<br>MANIFOLD   | 1        |          |
| 8              | 6H4-41131-01-5B | MANIFOLD, EXT. 1              | 1        |          |
| 9              | 6H4-14711-00-5B | MUFFLER 1                     | 1        | UR SHORT |
| 9              | 6H4-14711-10-5B | MUFFLER 1                     | 1        | UR LONG  |
| 10             | 663-45123-00-00 | GASKET, MUFFLER               | 1        |          |
| 11             | 97395-08030-00  | BOLT                          | 7        |          |
| 12             | 92990-08600-00  | ..WASHER, PLATE               | 7        |          |
| 13             | 97395-08030-00  | BOLT                          | 2        |          |
| 14             | 92990-08100-00  | WASHER, SPRING                | 2        |          |
| 15             | 6H4-41133-00-00 | GASKET, EXHAUST<br>MANIFOLD 1 | 1        |          |
| 16             | 6H4-45113-A0-00 | GASKET, UPPER CASING          | 1        |          |
| 17             | 93606-12019-00  | .PIN, DOWEL                   | 2        |          |



40ELF 1989 / LOWER DRIVE 1



©2014 Yamaha Motor Corporation, U.S.A. All rights reserved.

## Part List




40ELF 1989 / LOWER DRIVE 1

| REF<br>-<br>NO | PART<br>NUMBER  | PART NAME             | QUANTITY | REMARKS  |
|----------------|-----------------|-----------------------|----------|----------|
| 1              | 6H4-45300-12-EK | LOWER UNIT ASSEMBLY   | 1        | UR LONG  |
| 1              | 6H4-45300-02-EK | LOWER UNIT ASSEMBLY   | 1        | UR SHORT |
| 2              | 6H4-45301-01-EK | LOWER CASING          | 1        |          |
| 3              | 93315-32224-00  | BEARING               | 1        |          |
| 4              | 6H4-45536-00-00 | SLEEVE, DRIVE SHAFT   | 1        |          |
| 5              | 663-45587-01-12 | SHIM (T:0.12MM)       | 1        | UR       |
| 5              | 663-45587-01-10 | SHIM (T:0.10MM)       | 1        | UR       |
| 5              | 663-45587-01-15 | SHIM (T:0.15MM)       | 1        | UR       |
| 5              | 663-45587-01-50 | SHIM (T:0.50MM)       | 1        | UR       |
| 5              | 663-45587-01-40 | SHIM (T:0.40MM)       | 1        | UR       |
| 5              | 663-45587-01-18 | SHIM (T:0.18MM)       | 1        | UR       |
| 5              | 663-45587-01-30 | SHIM (T:0.30MM)       | 1        | UR       |
| 6              | 93332-00001-00  | BEARING               | 1        | UR       |
| 7              | 90340-08M04-00  | PLUG, STRAIGHT SCREW  | 2        |          |
| 8              | 90430-08020-00  | .GASKET               | 3        |          |
| 9              | 688-45341-00-00 | PLUG, DRAIN           | 1        |          |
| 10             | 6H4-45321-01-00 | PLATE                 | 1        |          |
| 11             | 93210-49046-00  | .O-RING               | 1        |          |
| 12             | 6G1-44147-00-00 | .BOOT, SHIFT ROD      | 1        |          |
| 13             | 97395-06016-00  | BOLT, HEX             | 1        |          |
| 14             | 92990-06600-00  | WASHER, PLATE         | 1        |          |
| 15             | 6H4-45378-00-00 | NIPPLE, HOSE          | 1        |          |
| 16             | 90209-10M14-00  | WASHER                | 1        |          |
| 17             | 90445-07ME9-00  | HOSE (L120)           | 1        | UR SHORT |
| 17             | 90445-07M31-00  | HOSE (L200)           | 1        | UR LONG  |
| 18             | 6E5-83558-00-00 | END, NIPPLE           | 1        |          |
| 19             | 90465-11M10-00  | CLAMP                 | 2        |          |
| 20             | 6J8-44311-00-00 | HOUSING, WATER PUMP   | 1        |          |
| 21             | 663-44322-00-00 | .INSERT, CARTRIDGE    | 1        |          |
| 22             | 6H4-44352-02-00 | .IMPELLER             | 1        |          |
| 23             | 663-44315-00-00 | GASKET, WATER PUMP    | 1        |          |
| 24             | 663-44366-00-00 | .DAMPER, WATER SEAL 2 | 1        |          |
| 25             | 90280-03024-00  | .KEY, WOODRUFF        | 1        |          |
| 26             | 663-44341-00-94 | HOUSING, WATER PUMP   | 1        |          |
| 27             | 93101-23070-00  | .OIL SEAL             | 2        |          |
| 28             | 93210-41042-00  | O-RING                | 1        |          |
| 29             | 663-44316-00-00 | GASKET, WATER PUMP    | 1        |          |
| 30             | 663-44323-00-00 | OUTER PLATE, CARTIDGE | 1        |          |
| 31             | 663-44324-00-00 | OIL SEAL              | 1        |          |
| 32             | 93604-08062-00  | PIN, DOWEL            | 2        |          |
| 33             | 97395-08055-00  | BOLT                  | 2        |          |
| 34             | 97395-08045-00  | BOLT                  | 2        |          |
| 35             | 6H4-45501-00-00 | DRIVE SHAFT COMP.     | 1        | UR SHORT |
| 35             | 6H4-45501-10-00 | DRIVE SHAFT COMP.     | 1        | UR LONG  |
| 36             | 6H4-45551-00-00 | PINION                | 1        |          |
| 37             | 90170-12138-00  | NUT                   | 1        |          |
| 38             | 6H4-45560-00-00 | GEAR                  | 1        |          |
| 39             | 93332-000V4-00  | BEARING               | 1        |          |
| 40             | 6H4-45567-01-10 | SHIM (T:0.10MM)       | 1        | UR       |
| 40             | 6H4-45567-01-12 | SHIM (T:0.12MM)       | 1        | UR       |
| 40             | 6H4-45567-01-15 | SHIM (T:0.15MM)       | 1        | UR       |
| 40             | 6H4-45567-01-18 | SHIM (T:0.18MM)       | 1        | UR       |
| 40             | 6H4-45567-01-30 | SHIM (T:0.30MM)       | 1        | UR       |

|    |                 |                     |   |          |
|----|-----------------|---------------------|---|----------|
| 40 | 6H4-45567-01-40 | SHIM (T:0.40MM)     | 1 | UR       |
| 40 | 6H4-45567-01-50 | SHIM (T:0.50MM)     | 1 | UR       |
| 41 | 679-45611-01-00 | SHAFT, PROPELLER    | 1 |          |
| 42 | 676-45635-00-00 | PLUNGER, SHIFT      | 1 |          |
| 43 | 663-45634-00-00 | SLIDE, SHIFT        | 1 |          |
| 44 | 6H4-45631-00-00 | CLUTCH, DOG         | 1 |          |
| 45 | 90250-06023-00  | PIN, STRAIGHT       | 1 |          |
| 46 | 663-45633-00-00 | RING, CROSS PIN     | 1 |          |
| 47 | 90201-22429-00  | WASHER, PLATE       | 1 |          |
| 48 | 90501-16M01-00  | SPRING, COMPRESSION | 1 |          |
| 49 | 6H4-44150-01-00 | SHIFT CAM ASSEMBLY  | 1 | UR SHORT |
| 49 | 6H4-44150-12-00 | SHIFT CAM ASSEMBLY  | 1 | UR LONG  |
| 50 | 6H4-44160-00-00 | DETENT COMP.        | 1 |          |
| 51 | 6H4-45571-00-00 | GEAR                | 1 |          |
| 52 | 679-45331-00-94 | HOUSING, BEARING    | 1 |          |
| 53 | 93306-00702-00  | BEARING             | 1 |          |
| 54 | 663-45577-01-10 | SHIM (T:0.10MM)     | 1 | UR       |
| 54 | 663-45577-01-12 | SHIM (T:0.12MM)     | 1 | UR       |
| 54 | 663-45577-01-15 | SHIM (T:0.15MM)     | 1 | UR       |
| 54 | 663-45577-01-18 | SHIM (T:0.18MM)     | 1 | UR       |
| 54 | 663-45577-01-30 | SHIM (T:0.30MM)     | 1 | UR       |
| 54 | 663-45577-01-40 | SHIM (T:0.40MM)     | 1 | UR       |
| 54 | 663-45577-01-50 | SHIM (T:0.50MM)     | 1 | UR       |
| 55 | 663-45576-00-00 | WASHER, THRUST      | 1 |          |
| 56 | 93210-66M98-00  | O-RING              | 1 |          |
| 57 | 93317-22204-00  | BEARING             | 1 |          |
| 58 | 93101-22067-00  | .OIL SEAL           | 2 |          |
| 59 | 90214-48M03-00  | WASHER, CLAW        | 1 |          |
| 60 | 697-45384-00-00 | NUT                 | 1 |          |
| 61 | 90282-04010-00  | KEY, STRAIGHT       | 1 |          |
| 62 | 90209-08M02-00  | WASHER              | 4 |          |

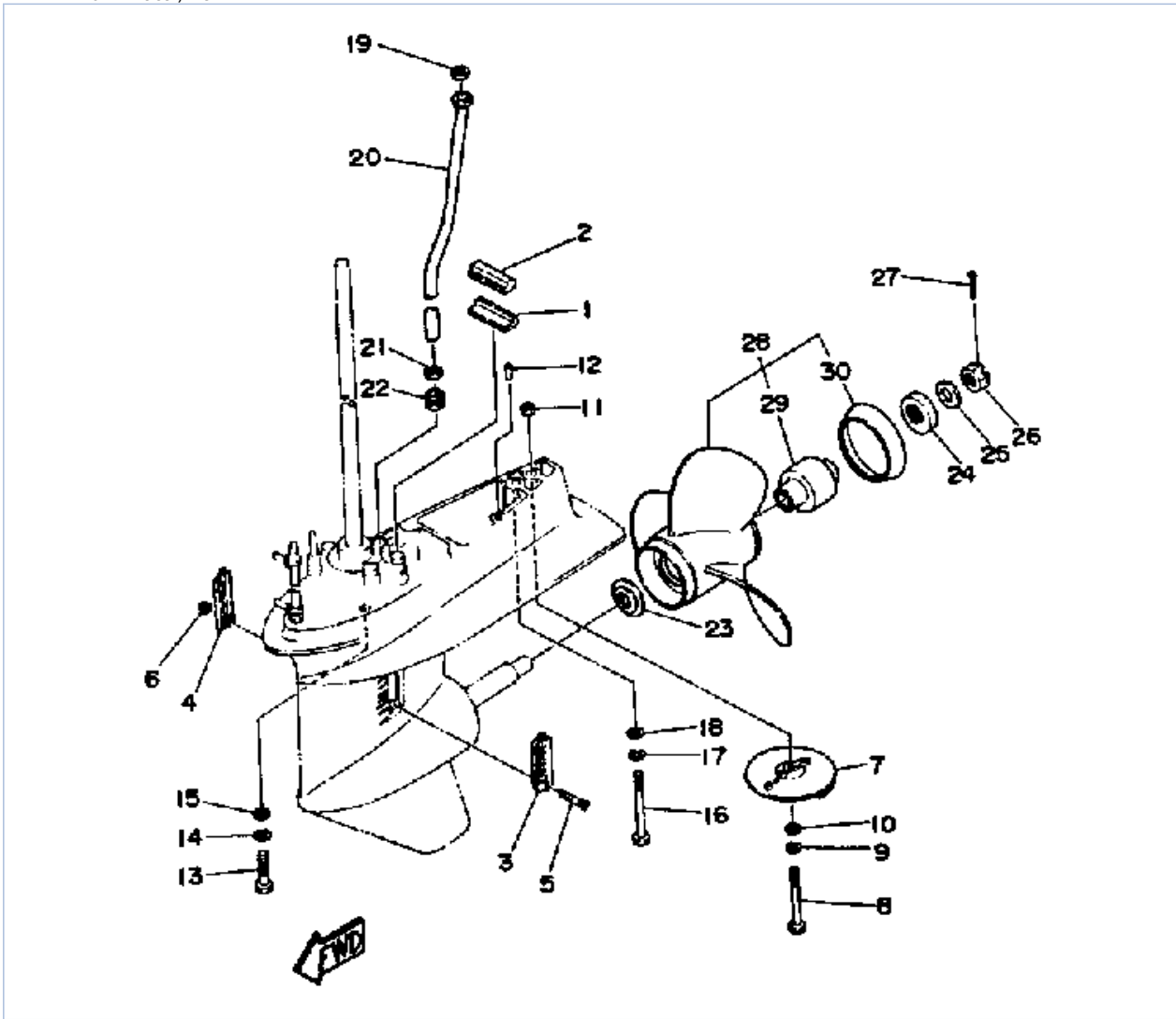
## Part Notes

40ELF 1989 / LOWER DRIVE 1

| PART NUMBER     |   | NOTE TEXT  |
|-----------------|---|--|
| 90430-08020-00  |  | OEM: This part number is among the Top 100 Most Popular Marine Maintenance Parts as of March 2014. |
| 92990-06600-00  |  | OEM: This part number is among the Top 100 Most Popular Marine Maintenance Parts as of March 2014. |
| 6H4-44352-02-00 |  | OEM: This part number is among the Top 100 Most Popular Marine Maintenance Parts as of March 2014. |

©2014 Yamaha Motor Corporation, U.S.A. All rights reserved.

40ELF 1989 / LOWER DRIVE 2



©2014 Yamaha Motor Corporation, U.S.A. All rights reserved.


## Part List

40ELF 1989 / LOWER DRIVE 2

| REF - NO | PART NUMBER     | PART NAME                   | QUANTITY | REMARKS                                 |
|----------|-----------------|-----------------------------|----------|---|
| 1        | 663-45376-00-94 | GUIDE, SEAL DAMPER          | 1        |   |
| 2        | 688-45375-00-00 | DAMPER, SEAL                | 1        |   |
| 3        | 688-45214-02-00 | COVER, WATER INLET 1        | 1        |   |
| 4        | 688-45215-02-00 | COVER, WATER INLET 2        | 1        |   |
| 5        | 98680-05535-00  | SCREW, OVAL HEAD            | 1        |   |
| 6        | 90185-05002-00  | NUT, NYLON                  | 1        |   |
| 7        | 664-45371-01-00 | TAB-TRIM                    | 1        |   |
| 8        | 97375-08075-00  | BOLT                        | 1        |   |
| 9        | 92990-08100-00  | WASHER, SPRING              | 1        |   |
| 10       | 92990-08600-00  | ..WASHER, PLATE             | 1        |   |
| 11       | 95380-08600-00  | NUT                         | 1        |   |
| 12       | 93606-12019-00  | .PIN, DOWEL                 | 2        |   |
| 13       | 97395-10040-00  | BOLT                        | 4        |   |
| 14       | 92990-10100-00  | WASHER, SPRING              | 4        |   |
| 15       | 92990-10600-00  | WASHER, PLATE               | 4        |   |
| 16       | 97395-08085-00  | BOLT                        | 1        |   |
| 17       | 92990-08100-00  | WASHER, SPRING              | 1        |   |
| 18       | 92990-08600-00  | ..WASHER, PLATE             | 1        |   |
| 19       | 90202-12060-00  | WASHER, PLATE               | 1        |   |
| 20       | 6H4-44361-00-00 | TUBE, WATER                 | 1        | UR SHORT                                |
| 20       | 6H4-44361-10-00 | TUBE, WATER                 | 1        | UR LONG                                 |
| 21       | 90430-12072-00  | GASKET                      | 1        |   |
| 22       | 663-44367-00-00 | DAMPER, WATER SEAL 3        | 1        |   |
| 23       | 663-45987-02-00 | SPACER 1                    | 1        |   |
| 24       | 670-45997-02-00 | SPACER                      | 1        |   |
| 25       | 92990-16200-00  | WASHER, PLAIN               | 1        |   |
| 26       | 90171-16011-00  | NUT, CASTLE                 | 1        |   |
| 27       | 91490-30040-00  | PIN, COTTER                 | 1        |   |
| 28       | 6H5-45958-00-EL | PROPELLER (3X10-1/4"X14"-G) | 1        |   |
| 28       | 663-45970-60-98 | PROPELLER (3X11-3/4"X12"-G) | 1        | STAINLESS STEEL PROPELLERUR             |
| 28       | 663-45972-60-98 | PROPELLER (3X12"X11"-G)     | 1        | STAINLESS STEEL PROPELLERUR             |
| 28       | 663-45974-60-98 | PROPELLER (3X11-1/2"X13"-G) | 1        | STAINLESS STEEL PROPELLERUR             |
| 28       | 663-45976-00-98 | PROPELLER (3X10-1/4"X15"-G) | 1        | STAINLESS STEEL PROPELLERUR             |
| 28       | 663-45978-00-98 | PROPELLER (3X10-1/4"X16"-G) | 1        | STAINLESS STEEL PROPELLERUR             |
| 28       | 663-45930-00-98 | PROPELLER (3X10-1/4"X14"-G) | 1        | STAINLESS STEEL PROPELLERUR             |
| 28       | 663-45958-01-EL | PROPELLER (3X11-1/4"X14"-G) | 1        | UR                                      |
| 28       | 663-45947-02-EL | PROPELLER (3X11-5/8"X11"-G) | 1        | UR                                      |
| 28       | 6H5-45945-00-EL | PROPELLER (3X10-5/8X12"-G)  | 1        | UR                                      |
| 28       | 6H5-45943-00-EL | PROPELLER (3X10"X15"-G)     | 1        | UR                                      |
| 28       | 663-45941-01-EL | PROPELLER (3X10-3/4"X17"-G) | 1        | UR                                      |
| 28       | 663-45949-01-EL | PROPELLER (3X10-3/4"X16"-G) | 1        | UR                                      |
| 28       | 6H5-45952-00-EL | PROPELLER (3X10-3/8X13"-G)  | 1        | UR                                      |
| 28       | 663-45956-01-EL | PROPELLER (3X12-1/4"X9"-G)  | 1        | UR                                      |
| 29       | 663-45981-10-00 | .DAMPER, RUBBER PROP        | 1        | STAINLESS STEEL PROPELLER               |
| 30       | 663-45986-00-94 | .RING, DEFLECTOR            | 1        | STAINLESS STEEL PROPELLERFOR ALUMI PROP |

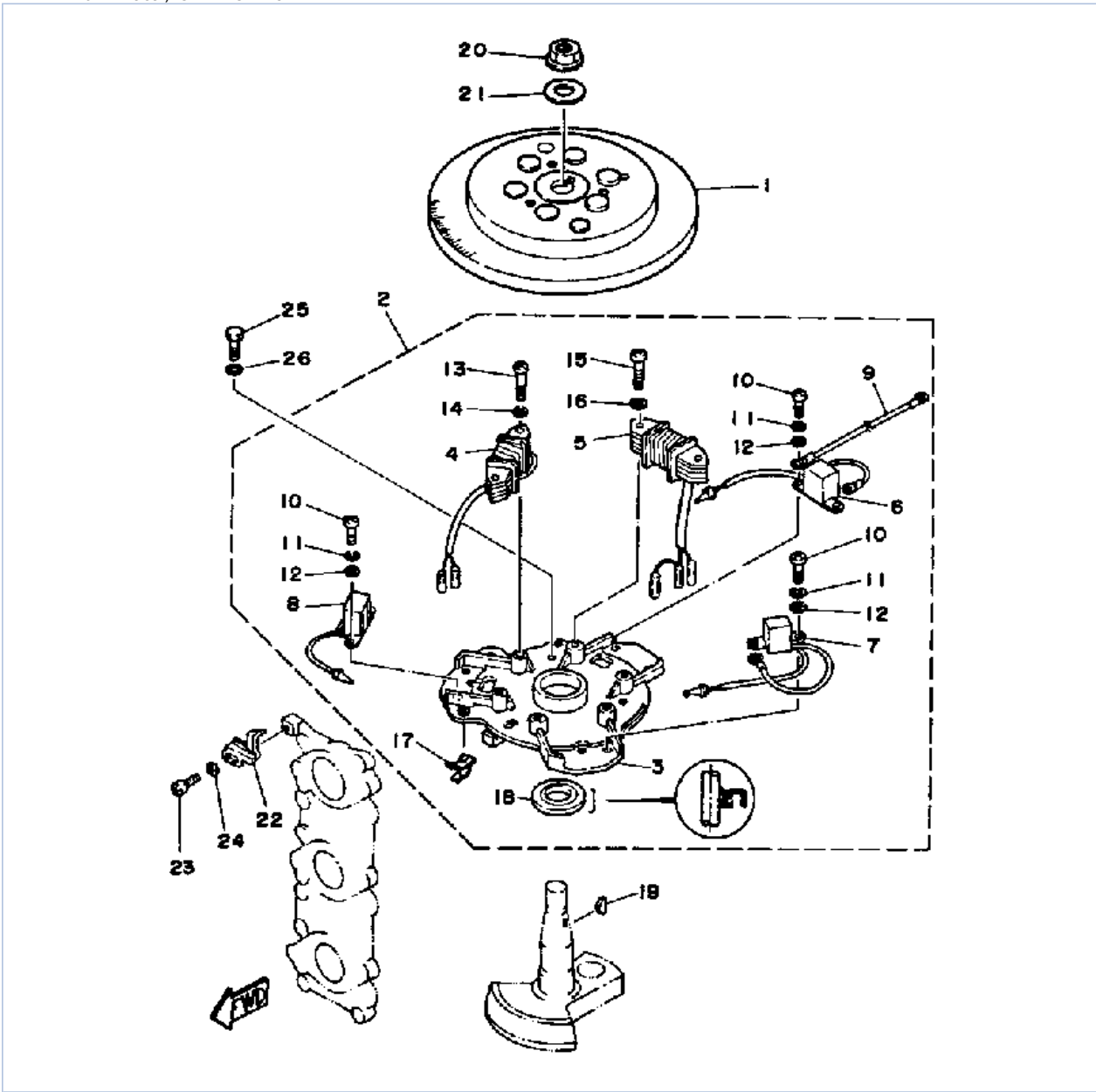
## Part Notes

40ELF 1989 / LOWER DRIVE 2

| PART NUMBER    |   | NOTE TEXT  |
|----------------|---|--|
| 92990-10600-00 |  | OEM: This part number is among the Top 100 Most Popular Marine Maintenance Parts as of March 2014. |

©2014 Yamaha Motor Corporation, U.S.A. All rights reserved.

40ELF 1989 / CDI MAGNETO



©2014 Yamaha Motor Corporation, U.S.A. All rights reserved.


## Part List

40ELF 1989 / CDI MAGNETO

| REF - NO | PART NUMBER     | PART NAME          | QUANTITY | REMARKS |
|----------|-----------------|--------------------|----------|---------|
| 1        | 6H5-85550-10-00 | ROTOR ASSEMBLY     | 1        |         |
| 2        | 6H5-85560-01-00 | BASE ASSEMBLY      | 1        |         |
| 3        | 6H4-15359-03-94 | .HOUSING, OIL SEAL | 1        |         |
| 4        | 6H5-85520-00-00 | .COIL, CHARGE      | 1        |         |
| 5        | 6H5-85533-01-00 | .COIL, LIGHTING    | 1        |         |
| 6        | 6H5-85580-00-00 | .COIL, PULSER      | 1        |         |
| 7        | 6H5-85580-10-00 | .COIL, PULSER      | 1        |         |
| 8        | 6H5-85580-20-00 | .COIL, PULSER      | 1        |         |
| 9        | 6H5-83354-00-00 | .WIRE, LEAD        | 1        |         |
| 10       | 98580-05012-00  | .SCREW, PAN HEAD   | 6        |         |
| 11       | 92990-05100-00  | .WASHER, SPRING    | 6        |         |
| 12       | 92901-05600-00  | .WASHER            | 6        |         |
| 13       | 98511-06025-00  | .SCREW PAN HEAD    | 2        |         |
| 14       | 92995-06100-00  | .WASHER, SPRING    | 2        |         |
| 15       | 98580-06030-00  | .SCREW, PAN HEAD   | 2        |         |
| 16       | 92995-06100-00  | .WASHER, SPRING    | 2        |         |
| 17       | 90464-03M15-00  | .CLAMP             | 2        |         |
| 18       | 93102-23096-00  | .OIL SEAL          | 1        |         |
| 19       | 90280-05049-00  | KEY, WOODRUFF      | 1        |         |
| 20       | 90179-16M05-00  | NUT                | 1        |         |
| 21       | 90201-16M44-00  | WASHER, PLATE      | 1        |         |
| 22       | 6H4-81332-00-00 | PLATE, TIMING      | 1        |         |
| 23       | 98580-05010-00  | .SCREW, PAN HEAD   | 1        |         |
| 24       | 92990-05600-00  | WASHER, PLATE      | 1        |         |
| 25       | 97313-06018-00  | BOLT               | 3        |         |
| 26       | 92990-06600-00  | WASHER, PLATE      | 3        |         |

## Part Notes

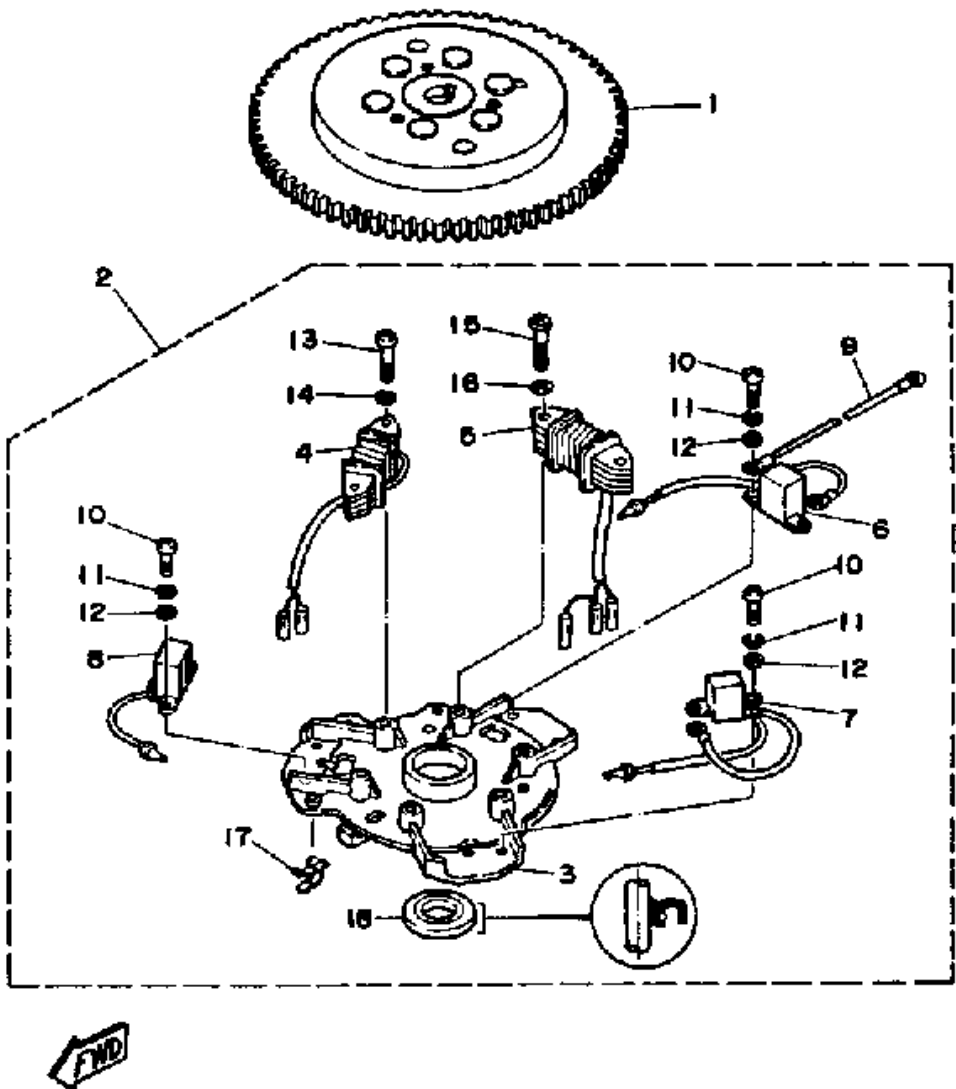
40ELF 1989 / CDI MAGNETO

| PART NUMBER  | NOTE TEXT  |
|--|--|
| 92990-06600-00  | OEM: This part number is among the Top 100 Most Popular Marine Maintenance Parts as of March 2014. |

©2014 Yamaha Motor Corporation, U.S.A. All rights reserved.



40ELF 1989 / CDI MAGNETO (40E 40ET)



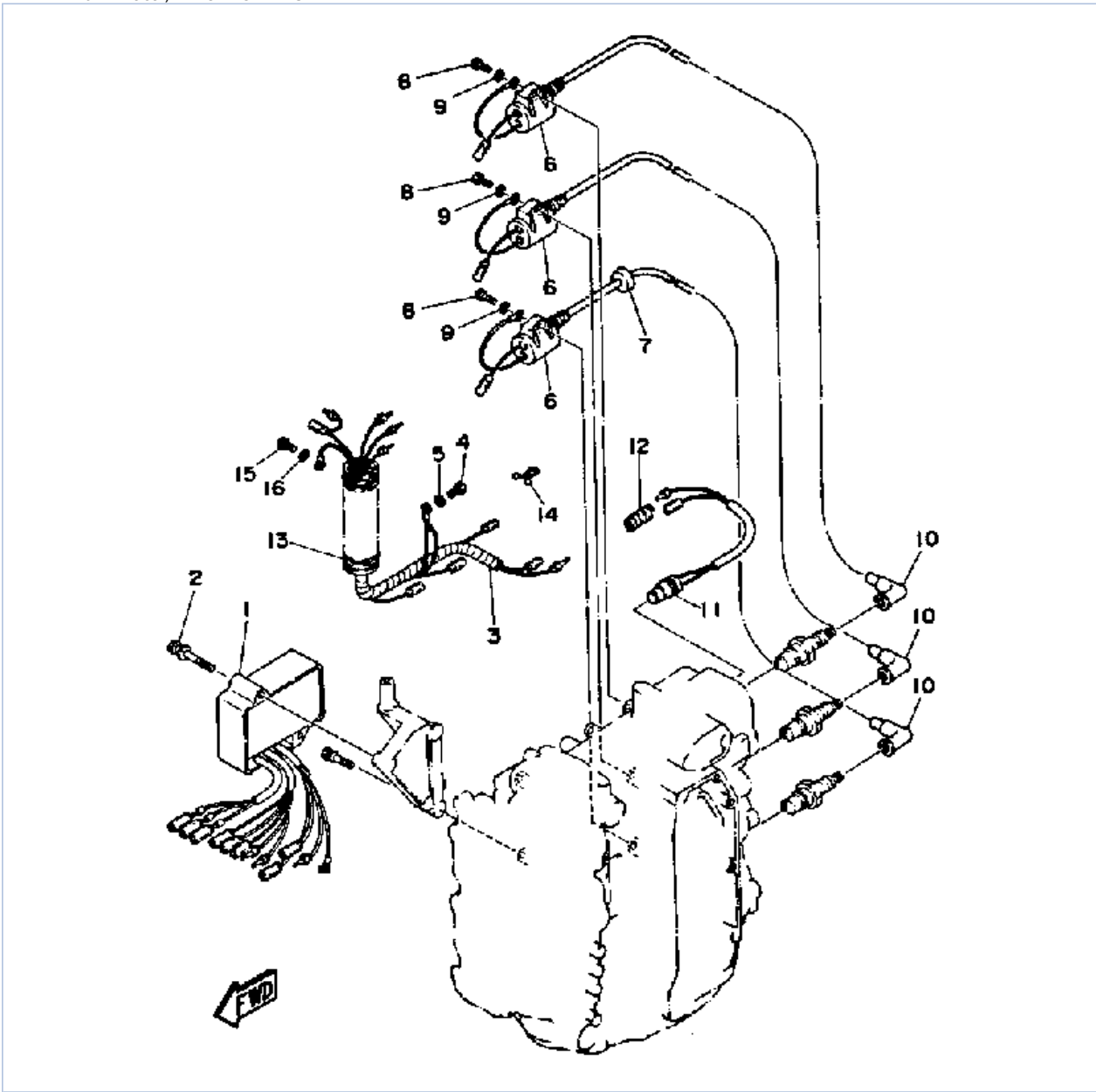
©2014 Yamaha Motor Corporation, U.S.A. All rights reserved.

## Part List

40ELF 1989 / CDI MAGNETO (40E 40ET)

| REF<br>-<br>NO | PART<br>NUMBER  | PART NAME          | QUANTITY | REMARKS |
|----------------|-----------------|--------------------|----------|---------|
| 1              | 6H5-85550-00-00 | ROTOR ASSEMBLY     | 1        |         |
| 2              | 6H5-85560-01-00 | BASE ASSEMBLY      | 1        |         |
| 3              | 6H4-15359-03-94 | .HOUSING, OIL SEAL | 1        |         |
| 4              | 6H5-85520-00-00 | .COIL, CHARGE      | 1        |         |
| 4              | 6H5-85533-01-00 | .COIL, LIGHTING    | 1        |         |
| 6              | 6H5-85580-00-00 | .COIL, PULSER      | 1        |         |
| 7              | 6H5-85580-10-00 | .COIL, PULSER      | 1        |         |
| 8              | 6H5-85580-20-00 | .COIL, PULSER      | 1        |         |
| 9              | 6H5-83354-00-00 | .WIRE, LEAD        | 1        |         |
| 10             | 98580-05012-00  | .SCREW, PAN HEAD   | 6        |         |
| 11             | 92990-05100-00  | .WASHER, SPRING    | 6        |         |
| 12             | 92901-05600-00  | .WASHER            | 6        |         |
| 13             | 98511-06025-00  | .SCREW PAN HEAD    | 2        |         |
| 14             | 92995-06100-00  | .WASHER, SPRING    | 2        |         |
| 15             | 98580-06030-00  | .SCREW, PAN HEAD   | 2        |         |
| 16             | 92995-06100-00  | .WASHER, SPRING    | 2        |         |
| 17             | 90464-03M15-00  | .CLAMP             | 2        |         |
| 18             | 93102-23096-00  | .OIL SEAL          | 1        |         |

40ELF 1989 / ELECTRIC PARTS



©2014 Yamaha Motor Corporation, U.S.A. All rights reserved.




## Part List

40ELF 1989 / ELECTRIC PARTS

| REF - NO | PART NUMBER     | PART NAME              | QUANTITY | REMARKS |
|----------|-----------------|------------------------|----------|---------|
| 1        | 6H5-85540-02-00 | C.D.I. UNIT ASSEMBLY   | 1        |         |
| 2        | 90119-06M51-00  | BOLT, WITH WASHER      | 2        |         |
| 3        | 6H4-82531-02-00 | WIRE, LEAD             | 1        |         |
| 4        | 97013-06012-00  | BOLT                   | 1        |         |
| 5        | 92990-06600-00  | WASHER, PLATE          | 1        |         |
| 6        | 6H5-85570-00-00 | IGNITION COIL ASSY     | 3        |         |
| 7        | 90480-25161-00  | GROMMET                | 1        |         |
| 8        | 97313-06022-00  | BOLT                   | 3        |         |
| 9        | 92990-06600-00  | WASHER, PLATE          | 3        |         |
| 10       | 663-82370-01-00 | PLUG CAP ASSY          | 3        |         |
| 11       | 689-82560-00-00 | THERMO SWITCH ASSEMBLY | 1        |         |
| 12       | 90446-10M02-00  | HOSE                   | 1        |         |
| 13       | 6G1-83557-00-00 | TUBE                   | 1        |         |
| 14       | 90464-05M16-00  | CLAMP                  | 1        |         |
| 15       | 97313-06014-00  | BOLT, HEXAGON          | 1        |         |
| 16       | 92990-06600-00  | WASHER, PLATE          | 1        |         |

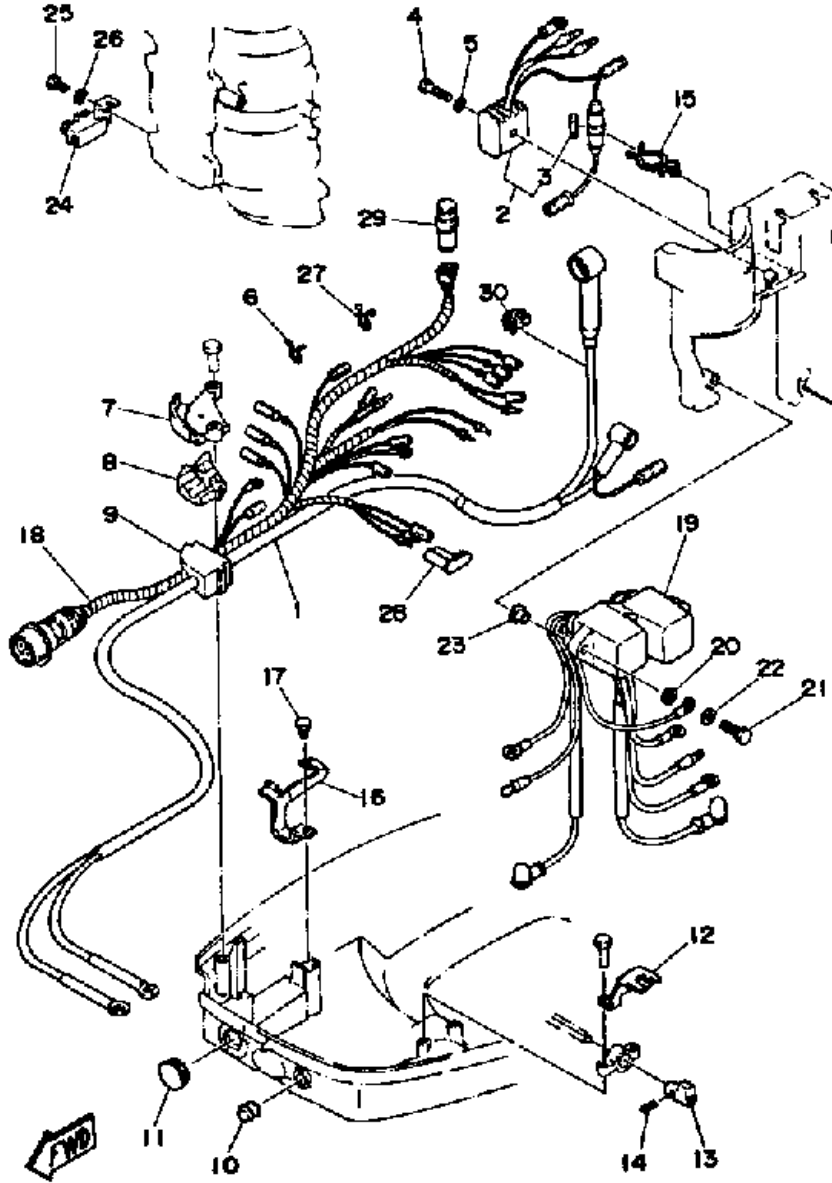
## Part Notes

40ELF 1989 / ELECTRIC PARTS

| PART NUMBER    |   | NOTE TEXT  |
|----------------|---|--|
| 92990-06600-00 |    | OEM: This part number is among the Top 100 Most Popular Marine Maintenance Parts as of March 2014. |
| 92990-06600-00 |   | OEM: This part number is among the Top 100 Most Popular Marine Maintenance Parts as of March 2014. |
| 92990-06600-00 |  | OEM: This part number is among the Top 100 Most Popular Marine Maintenance Parts as of March 2014. |

©2014 Yamaha Motor Corporation, U.S.A. All rights reserved.

40ELF 1989 / ELECTRIC PARTS (40E 40ET)



©2014 Yamaha Motor Corporation, U.S.A. All rights reserved.



## Part List

40ELF 1989 / ELECTRIC PARTS (40E 40ET)

| REF - NO | PART NUMBER     | PART NAME                    | QUANTITY | REMARKS       |
|----------|-----------------|------------------------------|----------|---------------|
| 1        | 6H4-82105-01-00 | BATTERY CABLE                | 1        |               |
| 2        | 6G1-81970-61-00 | RECTIFIER ASSY               | 1        |               |
| 3        | 6G1-82151-00-00 | .FUSE (10A)                  | 1        |               |
| 4        | 98503-05025-00  | SCREW, PAN HEAD              | 1        |               |
| 5        | 92990-05600-00  | WASHER, PLATE                | 1        |               |
| 6        | 90465-18147-00  | CLAMP                        | 1        |               |
| 7        | 6H4-48531-10-94 | BRACKET, REMOTE CONTROL<br>1 | 1        |               |
| 8        | 6H4-48532-10-94 | BRACKET, REMOTE CONTROL<br>2 | 1        |               |
| 9        | 6H4-42724-20-00 | GROMMET                      | 1        |               |
| 10       | 6H4-42725-00-00 | GROMMET                      | 1        |               |
| 11       | 676-42726-00-00 | GROMMET                      | 1        |               |
| 12       | 6H4-82554-00-00 | STAY, NEUTRAL SWITCH         | 1        |               |
| 13       | 6H4-44173-01-00 | LEVER, SHIFT CONTROL         | 1        |               |
| 14       | 91690-30020-00  | PIN, SPRING                  | 1        |               |
| 15       | 90464-15M27-00  | CLAMP                        | 1        |               |
| 16       | 6H4-82588-00-00 | PLATE                        | 1        |               |
| 17       | 97013-06012-00  | BOLT                         | 1        |               |
| 18       | 6H4-82590-11-00 | WIRE HARNESS ASSEMBLY        | 1        | UR 40E MODEL  |
| 18       | 6H4-82590-22-00 | WIRE HARNESS ASSEMBLY        | 1        | UR 40ET MODEL |
| 19       | 6H5-81950-00-00 | RELAY ASSEMBLY               | 1        | 40ET MODEL    |
| 20       | 92990-06200-00  | WASHER, PLAIN                | 2        | 40ET MODEL    |
| 21       | 97313-06025-00  | BOLT                         | 2        | 40ET MODEL    |
| 22       | 92990-06600-00  | WASHER, PLATE                | 2        | 40ET MODEL    |
| 23       | 90387-06M05-00  | COLLAR                       | 2        | 40ET MODEL    |
| 24       | 6H5-81920-00-00 | TERMINAL ASSY                | 1        | 40ET MODEL    |
| 25       | 97013-06012-00  | BOLT                         | 1        | 40ET MODEL    |
| 26       | 92990-06600-00  | WASHER, PLATE                | 1        | 40ET MODEL    |
| 27       | 90465-18147-00  | CLAMP                        | 1        | 40ET MODEL    |
| 28       | 6E5-82582-00-00 | COVER, WIRE HARNESS          | 1        | 40ET MODEL    |
| 29       | 6H4-82582-00-00 | COVER, WIRE HARNESS          | 1        | 40ET MODEL    |
| 30       | 90464-07M20-00  | CLAMP                        | 1        | 40ET MODEL    |

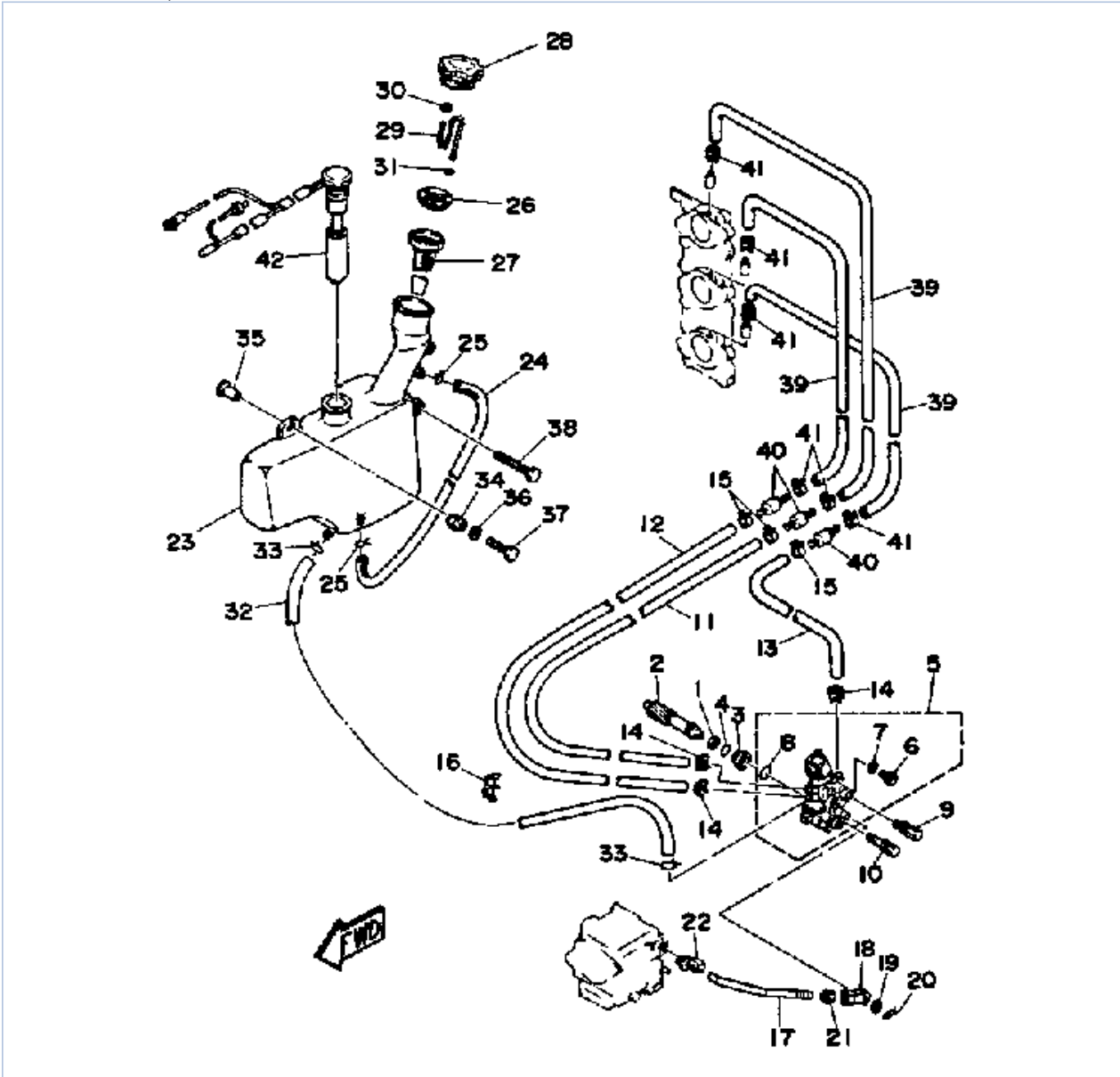
## Part Notes

40ELF 1989 / ELECTRIC PARTS (40E 40ET)

| PART NUMBER  | NOTE TEXT  |
|--|--|
| 92990-06600-00  | OEM: This part number is among the Top 100 Most Popular Marine Maintenance Parts as of March 2014. |
| 92990-06600-00  | OEM: This part number is among the Top 100 Most Popular Marine Maintenance Parts as of March 2014. |

©2014 Yamaha Motor Corporation, U.S.A. All rights reserved.

40ELF 1989 / OIL PUMP TANK



©2014 Yamaha Motor Corporation, U.S.A. All rights reserved.


## Part List

40ELF 1989 / OIL PUMP TANK

| REF<br>-<br>NO | PART<br>NUMBER  | PART NAME              | QUANTITY | REMARKS |
|----------------|-----------------|------------------------|----------|---------|
| 1              | 90201-08M93-00  | WASHER, PLATE          | 1        |         |
| 2              | 6H4-11537-01-00 | GEAR, DRIVEN           | 1        |         |
| 3              | 6H1-13117-01-00 | COLLAR, DISTANCE       | 1        |         |
| 4              | 93210-13595-00  | O-RING                 | 1        |         |
| 5              | 6H4-13200-02-00 | OIL PUMP KIT ASSY      | 1        |         |
| 6              | 6H1-13471-00-00 | .PLUG, DRAIN           | 1        |         |
| 7              | 1YU-13187-00-00 | .GASKET, BREATHER BOLT | 1        |         |
| 8              | 93210-19M82-00  | .O-RING                | 1        |         |
| 9              | 90109-06M39-00  | BOLT                   | 1        |         |
| 10             | 90109-06M40-00  | BOLT                   | 1        |         |
| 11             | 90445-07M44-00  | HOSE (L250)            | 1        |         |
| 12             | 90445-07M23-00  | HOSE (L408)            | 1        |         |
| 13             | 90445-07MA6-00  | HOSE (L90)             | 1        |         |
| 14             | 90468-07M02-00  | CLIP                   | 3        |         |
| 15             | 90468-07M02-00  | CLIP                   | 3        |         |
| 16             | 90464-07M20-00  | CLAMP                  | 1        |         |
| 17             | 6H4-41241-01-00 | ROD, LINK              | 1        |         |
| 18             | 6H1-41237-00-00 | JOINT, LINK            | 1        |         |
| 19             | 90202-05088-00  | WASHER, PLATE          | 1        |         |
| 20             | 90468-05M03-00  | CLIP                   | 1        |         |
| 21             | 95380-05600-00  | NUT                    | 1        |         |
| 22             | 6R5-41237-00-00 | JOINT, LINK            | 1        |         |
| 23             | 6H4-21707-11-00 | OIL TANK               | 1        |         |
| 24             | 90446-09M08-00  | HOSE                   | 1        |         |
| 25             | 90467-08004-00  | CLIP                   | 2        |         |
| 26             | 6H4-21773-00-00 | GROMMET                | 1        |         |
| 27             | 6H1-21756-00-00 | NET, FILTER            | 1        |         |
| 28             | 6H4-21770-00-00 | OIL TANK CAP ASSY      | 1        |         |
| 29             | 6H4-24633-00-00 | CHAIN, BALL            | 1        |         |
| 30             | 6H4-24634-00-00 | HOOK, CHAIN BALL       | 1        |         |
| 31             | 6H4-21757-00-00 | WASHER, SPECIAL 1      | 1        |         |
| 32             | 90445-09M37-00  | HOSE (L240)            | 1        |         |
| 33             | 90467-08004-00  | CLIP                   | 2        |         |
| 34             | 6A0-82317-00-00 | DAMPER, IGNITION COIL  | 3        |         |
| 35             | 624-42542-00-00 | PIPE                   | 3        |         |
| 36             | 90201-06050-00  | WASHER, PLATE          | 3        |         |
| 37             | 97313-06030-00  | BOLT                   | 2        |         |
| 38             | 97313-06050-00  | BOLT                   | 1        |         |
| 39             | 90445-07M87-00  | HOSE (L110)            | 3        |         |
| 40             | 6E5-13132-00-00 | JOINT                  | 3        |         |
| 41             | 6H4-85720-20-00 | OIL LVL.GAUGE ASSEMBLY | 6        |         |
| 42             | 6H4-85720-20-00 | OIL LVL.GAUGE ASSEMBLY | 1        |         |

## Part Notes

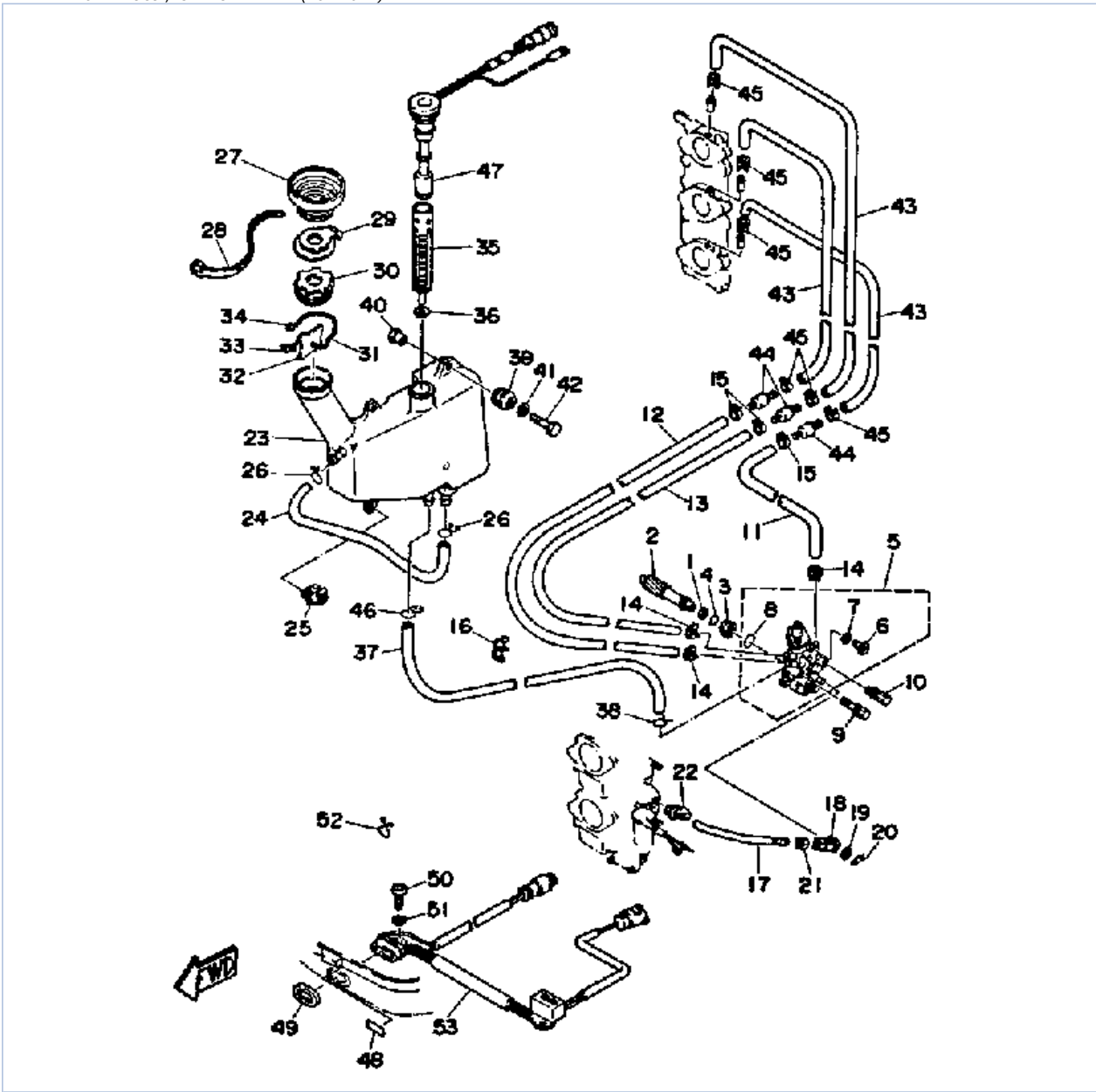
40ELF 1989 / OIL PUMP TANK

| PART NUMBER   | NOTE TEXT  |
|---|--|
| 6H1-41237-00-00  | OEM: This part number is among the Top 100 Most Popular Marine Maintenance Parts as of March 2014. |

©2014 Yamaha Motor Corporation, U.S.A. All rights reserved.



40ELF 1989 / OIL PUMP TANK (40E 40ET)



©2014 Yamaha Motor Corporation, U.S.A. All rights reserved.



## Part List

40ELF 1989 / OIL PUMP TANK (40E 40ET)

| REF<br>-<br>NO | PART<br>NUMBER  | PART NAME              | QUANTITY | REMARKS |
|----------------|-----------------|------------------------|----------|---------|
| 1              | 90201-08M93-00  | WASHER, PLATE          | 1        |         |
| 2              | 6H4-11537-01-00 | GEAR, DRIVEN           | 1        |         |
| 3              | 6H1-13117-01-00 | COLLAR, DISTANCE       | 1        |         |
| 4              | 93210-13595-00  | O-RING                 | 1        |         |
| 5              | 6H4-13200-02-00 | OIL PUMP KIT ASSY      | 1        |         |
| 6              | 6H1-13471-00-00 | .PLUG, DRAIN           | 1        |         |
| 7              | 1YU-13187-00-00 | .GASKET, BREATHER BOLT | 1        |         |
| 8              | 93210-19M82-00  | .O-RING                | 1        |         |
| 9              | 90109-06M39-00  | BOLT                   | 1        |         |
| 10             | 90109-06M40-00  | BOLT                   | 1        |         |
| 11             | 90445-07M44-00  | HOSE (L250)            | 1        |         |
| 12             | 90445-07M23-00  | HOSE (L408)            | 1        |         |
| 13             | 90445-07MA6-00  | HOSE (L90)             | 1        |         |
| 14             | 90468-07M02-00  | CLIP                   | 3        |         |
| 15             | 90468-07M02-00  | CLIP                   | 3        |         |
| 16             | 90464-07M20-00  | CLAMP                  | 1        |         |
| 17             | 6H4-41241-01-00 | ROD, LINK              | 1        |         |
| 18             | 6H1-41237-00-00 | JOINT, LINK            | 1        |         |
| 19             | 90202-05088-00  | WASHER, PLATE          | 1        |         |
| 20             | 90468-05M03-00  | CLIP                   | 1        |         |
| 21             | 95380-05600-00  | NUT                    | 1        |         |
| 22             | 6R5-41237-00-00 | JOINT, LINK            | 1        |         |
| 23             | 6H4-21707-03-00 | OIL TANK               | 1        |         |
| 24             | 90445-11M03-00  | HOSE (L330)            | 1        |         |
| 25             | 90464-11M23-00  | CLAMP                  | 1        |         |
| 26             | 90467-11M08-00  | CLIP                   | 2        |         |
| 27             | 6H4-21752-00-00 | TUBE, FILLER 1         | 1        |         |
| 28             | 90465-13M36-00  | CLAMP                  | 1        |         |
| 29             | 6H1-2176M-01-00 | HOOK                   | 1        |         |
| 30             | 6H4-21770-00-00 | OIL TANK CAP ASSY      | 1        |         |
| 31             | 6H5-24633-00-00 | CHAIN, BALL            | 1        |         |
| 32             | 6J8-21758-00-00 | WASHER, SPECIAL 2      | 1        |         |
| 33             | 6H1-21757-00-00 | WASHER, SPECIAL 1      | 1        |         |
| 34             | 6H4-21757-00-00 | WASHER, SPECIAL 1      | 1        |         |
| 35             | 6J8-13411-00-00 | STRAINER, OIL          | 1        |         |
| 36             | 6J8-13414-00-00 | GASKET, STRAINER COVER | 1        |         |
| 37             | 6L2-13416-00-00 | PIPE, OIL 1            | 1        |         |
| 38             | 90467-08004-00  | CLIP                   | 1        |         |
| 39             | 6A0-82317-00-00 | DAMPER, IGNITION COIL  | 3        |         |
| 40             | 624-42542-00-00 | PIPE                   | 3        |         |
| 41             | 90201-06050-00  | WASHER, PLATE          | 3        |         |
| 42             | 97313-06030-00  | BOLT                   | 3        |         |
| 43             | 90445-07M87-00  | HOSE (L110)            | 3        |         |
| 44             | 6E9-13183-70-00 | VALVE, CHECK           | 3        |         |
| 45             | 90468-07M02-00  | CLIP                   | 6        |         |
| 46             | 90467-11M08-00  | CLIP                   | 1        |         |
| 47             | 6H4-85720-30-00 | OIL LEVEL GAUGE        | 1        |         |
| 48             | 6H4-84342-00-00 | SEAT, EMBLEM           | 1        |         |
| 49             | 6H4-83589-00-00 | GASKET                 | 1        |         |
| 50             | 98503-06014-00  | SCREW, PAN HEAD        | 1        |         |
| 51             | 92990-06600-00  | WASHER, PLATE          | 1        |         |
| 52             | 90465-18147-00  | CLAMP                  | 1        |         |
| 53             | 6H4-84301-01-00 | PILOT LIGHT ASSEMBLY 1 | 1        |         |

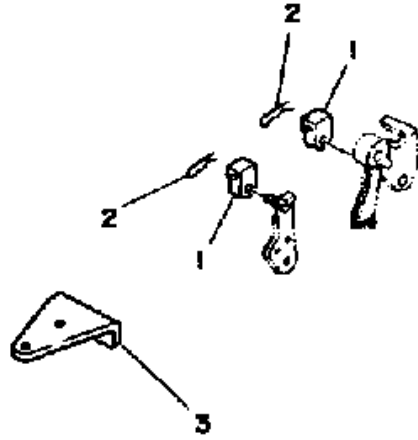
## Part Notes

40ELF 1989 / OIL PUMP TANK (40E 40ET)

| PART NUMBER     |   | NOTE TEXT  |
|-----------------|---|--|
| 6H1-41237-00-00 |  | OEM: This part number is among the Top 100 Most Popular Marine Maintenance Parts as of March 2014. |
| 92990-06600-00  |  | OEM: This part number is among the Top 100 Most Popular Marine Maintenance Parts as of March 2014. |

©2014 Yamaha Motor Corporation, U.S.A. All rights reserved.

40ELF 1989 / REMOTE CONTROL ATTACHMENT



©2014 Yamaha Motor Corporation, U.S.A. All rights reserved.


## Part List

40ELF 1989 / REMOTE CONTROL ATTACHMENT

| REF<br>-<br>NO | PART<br>NUMBER  | PART NAME                    | QUANTITY | REMARKS |
|----------------|-----------------|------------------------------|----------|---------|
| 1              | 6H4-48344-00-00 | CABLE END, REMOTE<br>CONTROL | 2        |         |
| 2              | 90468-18008-00  | CLIP                         | 2        |         |
| 3              | 6H4-48511-51-EK | HOOK, STEERING               | 1        |         |

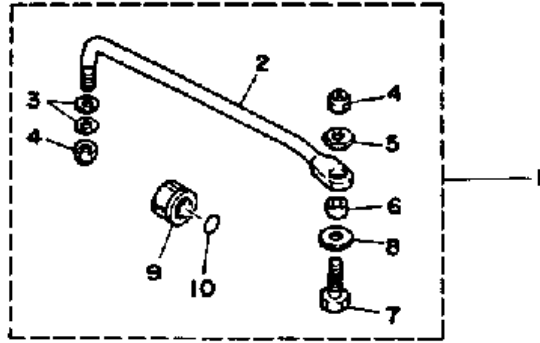
## Part Notes

40ELF 1989 / REMOTE CONTROL ATTACHMENT

| PART NUMBER  | NOTE TEXT  |
|--|--|
| 90468-18008-00  | OEM: This part number is among the Top 100 Most Popular Marine Maintenance Parts as of March 2014. |

©2014 Yamaha Motor Corporation, U.S.A. All rights reserved.

40ELF 1989 / STEERING GUIDE ATTACHMENT



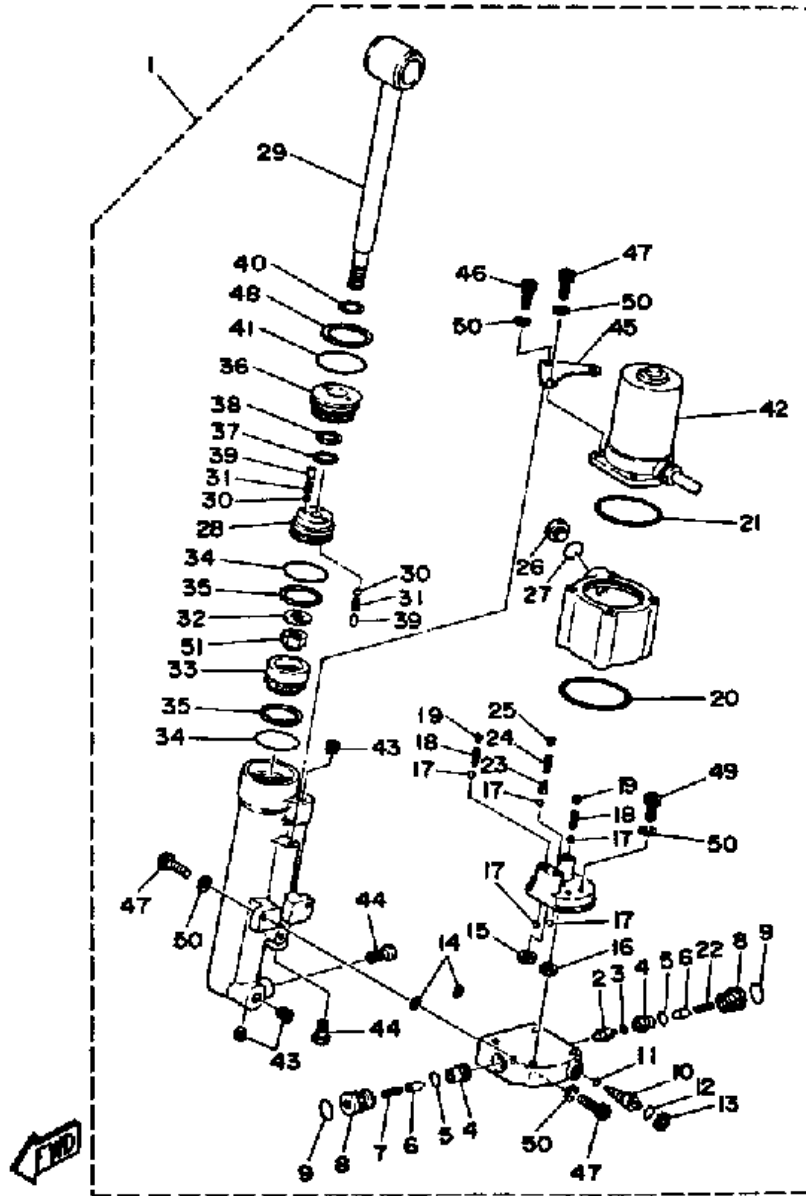
©2014 Yamaha Motor Corporation, U.S.A. All rights reserved.

## Part List

40ELF 1989 / STEERING GUIDE ATTACHMENT

| REF<br>-<br>NO | PART<br>NUMBER  | PART NAME                        | QUANTITY | REMARKS |
|----------------|-----------------|----------------------------------|----------|---------|
| 1              | 689-61350-02-00 | STEERING GUIDE<br>ATTACHMENT KIT | 1        |         |
| 2              | 689-61351-01-00 | .ROD, STEERING LINK              | 1        |         |
| 3              | 90201-10M20-00  | .WASHER, PLATE                   | 2        |         |
| 4              | 90185-09M01-00  | .NUT, SELF-LOCKING               | 2        |         |
| 5              | 90170-09M03-00  | .NUT                             | 1        |         |
| 6              | 90387-10M42-00  | .COLLAR                          | 1        |         |
| 7              | 6E5-61355-00-00 | .BOLT                            | 1        |         |
| 8              | 90201-10M63-00  | .WASHER, PLATE                   | 1        |         |
| 9              | 6E5-43145-00-00 | .CAP, CLAMP BRACKET              | 1        |         |
| 10             | 93210-16716-00  | .O-RING                          | 1        |         |

40ELF 1989 / POWER TILT ASSY



©2014 Yamaha Motor Corporation, U.S.A. All rights reserved.

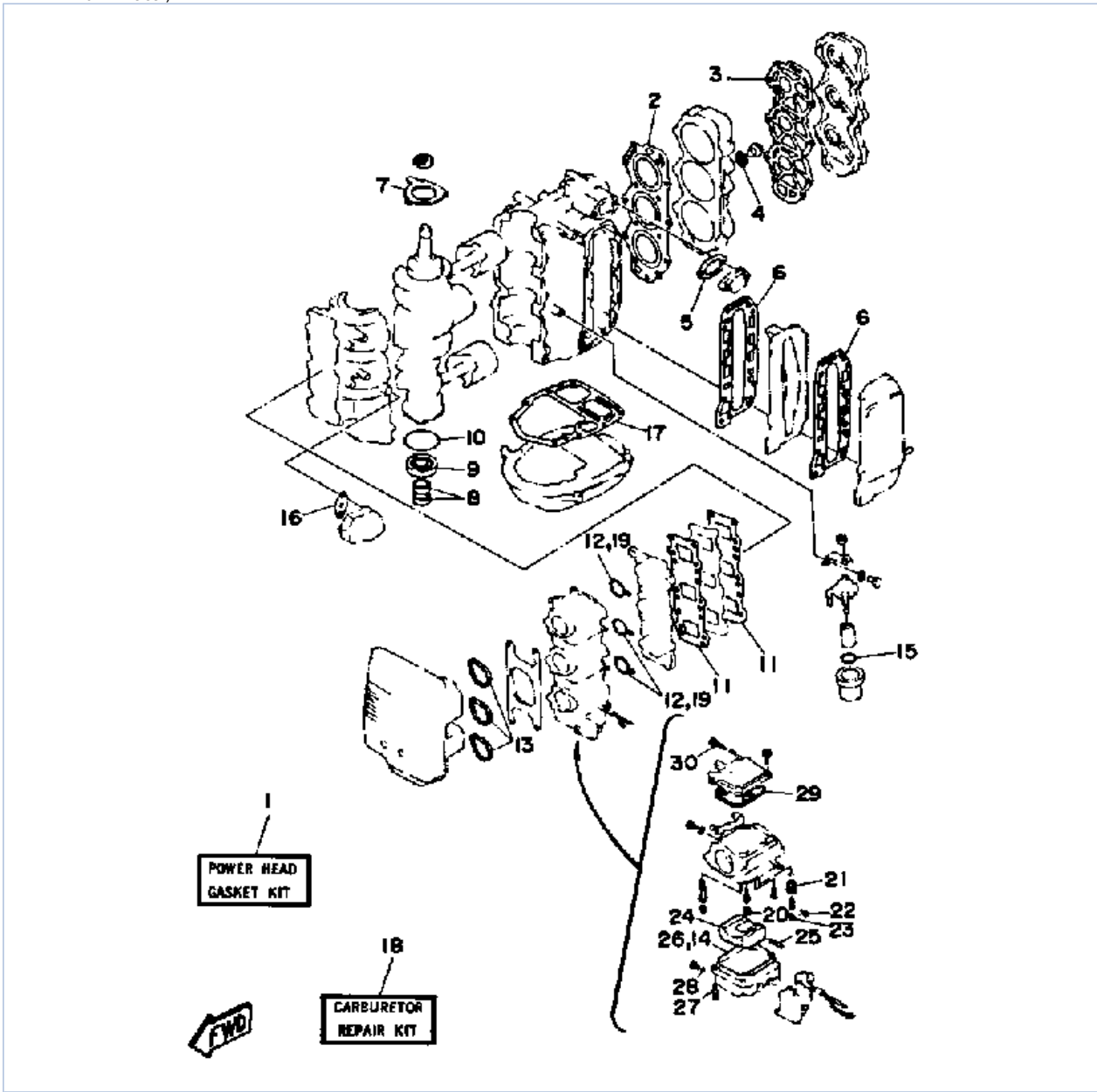


## Part List

40ELF 1989 / POWER TILT ASSY

| REF<br>-<br>NO | PART<br>NUMBER  | PART NAME                    | QUANTITY | REMARKS |
|----------------|-----------------|------------------------------|----------|---------|
| 1              | 6H5-43840-04-EK | POWER TILT ASSEMBLY          | 1        |         |
| 2              | 6H5-43841-00-00 | .PISTON, SHUTTLE             | 1        |         |
| 3              | 6H5-43861-00-00 | .O-RING                      | 1        |         |
| 4              | 6H5-43891-00-00 | .BUSHING 1                   | 2        |         |
| 5              | 6H5-43862-00-00 | .O-RING                      | 2        |         |
| 6              | 6H5-43849-00-00 | .PIN, VALVE SUPPORT          | 2        |         |
| 7              | 6H5-43853-00-00 | .SPRING, MAIN VALVE          | 1        |         |
| 8              | 6H5-4382E-00-00 | .ADAPTOR 2                   | 2        |         |
| 9              | 6H5-43863-00-00 | .O-RING                      | 2        |         |
| 10             | 6H5-43846-02-00 | .SCREW, MANUAL VALVE<br>SEAT | 1        |         |
| 11             | 6H5-43864-00-00 | .O-RING                      | 1        |         |
| 12             | 6H5-43865-00-00 | .O-RING                      | 1        |         |
| 13             | 6H5-43875-00-00 | .RING, SNAP                  | 1        |         |
| 14             | 6H5-43866-00-00 | .O-RING                      | 2        |         |
| 15             | 6H5-43837-00-00 | .GEAR, DRIVEN                | 1        |         |
| 16             | 6H5-43836-00-00 | .GEAR, DRIVE                 | 1        |         |
| 17             | 6H5-43858-10-00 | .BALL                        | 5        |         |
| 18             | 6H5-43856-00-00 | .SPRING, DOWN RELIEF         | 2        |         |
| 19             | 6H5-43844-00-00 | .PIN, VALVE SUPPORT          | 2        |         |
| 20             | 6H5-43867-00-00 | .O-RING                      | 1        |         |
| 21             | 6H5-43868-00-00 | .O-RING                      | 1        |         |
| 22             | 6H5-43853-10-00 | .SPRING, MAIN VALVE          | 1        |         |
| 23             | 6H5-43859-00-00 | PIN, VALVE SUPPORT           | 6        |         |
| 24             | 6H5-43855-01-00 | .SPRING, UP RELIEF           | 1        |         |
| 25             | 6H5-4386F-00-00 | .RING, STRAIGHT              | 1        |         |
| 26             | 6H5-43829-00-00 | .PLUG, RESERVOIR             | 1        |         |
| 27             | 6H5-43865-00-00 | .O-RING                      | 1        |         |
| 28             | 6H5-4385A-00-00 | .PISTON, TILT                | 1        |         |
| 29             | 6H5-43801-00-00 | .ROD                         | 1        |         |
| 30             | 6H5-43858-00-00 | .BALL                        | 5        |         |
| 31             | 6H5-43857-00-00 | .SPRING, ABSORBER VALVE      | 5        |         |
| 32             | 6H5-43893-00-00 | .WASHER                      | 1        |         |
| 33             | 6H5-43814-00-00 | .PISTON, FREE                | 1        |         |
| 34             | 6H5-43883-00-00 | .O-RING                      | 2        |         |
| 35             | 6H5-43871-00-00 | .RING, BACK UP               | 2        |         |
| 36             | 6H5-4381E-00-00 | .BRACKET                     | 1        |         |
| 37             | 6H5-43896-00-00 | .O-RING                      | 1        |         |
| 38             | 6H5-43873-00-00 | .RING, BACK UP               | 1        |         |
| 39             | 6H5-4381A-00-00 | .SHAFT                       | 5        |         |
| 40             | 6H5-43812-00-00 | .SEAL, DUST                  | 1        |         |
| 41             | 6H5-43897-00-00 | .O-RING                      | 1        |         |
| 42             | 6H5-43880-01-00 | .MOTOR ASSEMBLY              | 1        |         |
| 43             | 4H7-81834-00-00 | COLLAR                       | 3        |         |
| 44             | 6H5-43811-00-00 | .SCREW, CYLINDER END         | 2        |         |
| 45             | 6H5-4381F-00-00 | .BRACKET                     | 1        |         |
| 46             | 6H5-43887-00-00 | .BOLT, THROUGH               | 4        |         |
| 47             | 6H5-43886-00-00 | .BOLT                        | 4        |         |
| 48             | 6H5-43872-00-00 | .RING, BACK UP               | 3        |         |
| 49             | 91316-06020-00  | .BOLT                        | 4        |         |
| 50             | 92995-06100-00  | .WASHER, SPRING              | 1        |         |
| 51             | 95600-12100-00  | .NUT, U                      | 1        |         |

40ELF 1989 / REPAIR KIT 1



©2014 Yamaha Motor Corporation, U.S.A. All rights reserved.


## Part List

40ELF 1989 / REPAIR KIT 1

| REF<br>-<br>NO | PART<br>NUMBER  | PART NAME                    | QUANTITY | REMARKS |
|----------------|-----------------|------------------------------|----------|---------|
| 1              | 6H4-W0001-02-00 | PWR HEAD GASKIT KIT          | 1        |         |
| 2              | 6H4-11181-A0-00 | .GASKET, CYLINDER HEAD 1     | 1        |         |
| 3              | 6H4-11193-00-00 | .GASKET, HEAD COVER 1        | 1        |         |
| 4              | 90430-14115-00  | .GASKET                      | 1        |         |
| 5              | 6J8-12414-A0-00 | .GASKET, COVER               | 1        |         |
| 6              | 6H4-41114-A0-00 | .GASKET, EXHAUST COVER       | 2        |         |
| 7              | 6H4-15369-A1-00 | .GASKET, OIL SEAL<br>HOUSING | 1        |         |
| 8              | 93101-16M36-00  | .OIL SEAL                    | 2        |         |
| 9              | 93102-25M28-00  | .OIL SEAL                    | 1        |         |
| 10             | 93210-57M09-00  | .O-RING                      | 1        |         |
| 11             | 6H4-13621-A1-00 | .GASKET, VALVE SEAT          | 2        |         |
| 12             | 6H4-14198-01-00 | .GASKET                      | 3        |         |
| 13             | 6H3-14457-01-00 | .SEAL                        | 3        |         |
| 14             | 6H4-14984-00-00 | .GASKET, FLOAT CHAMBER       | 3        |         |
| 15             | 93210-37M25-00  | .O-RING                      | 1        |         |
| 16             | 650-24431-A0-00 | .GASKET, FUEL PUMP 1         | 1        |         |
| 17             | 6H4-45113-A0-00 | .GASKET, UPPER CASING        | 1        |         |
| 18             | 6H4-W0093-03-00 | CARBURETOR REPAIR KIT        | 1        |         |
| 19             | 6H4-14198-01-00 | .GASKET                      | 3        |         |
| 20             | 676-14966-00-00 | .CAP                         | 3        |         |
| 21             | 6H3-14590-00-00 | .NEEDLE VALVE ASSEMBLY       | 3        |         |
| 22             | 663-14159-00-00 | .CLIP                        | 3        |         |
| 23             | 676-14186-00-00 | .PIN, FLOAT                  | 3        |         |
| 24             | 6H4-14985-00-00 | .FLOAT                       | 3        |         |
| 25             | 6H4-14548-00-00 | .PIN, FLOAT ARM              | 3        |         |
| 26             | 6H4-14984-00-00 | .GASKET, FLOAT CHAMBER       | 3        |         |
| 27             | 97980-04114-00  | .SCREW, WITH WASHER          | 3        |         |
| 28             | 93210-04230-00  | .O-RING                      | 3        |         |
| 29             | 6H4-14147-00-00 | .O-RING                      | 3        |         |
| 30             | 692-14923-00-00 | .SCREW, PILOT                | 3        |         |

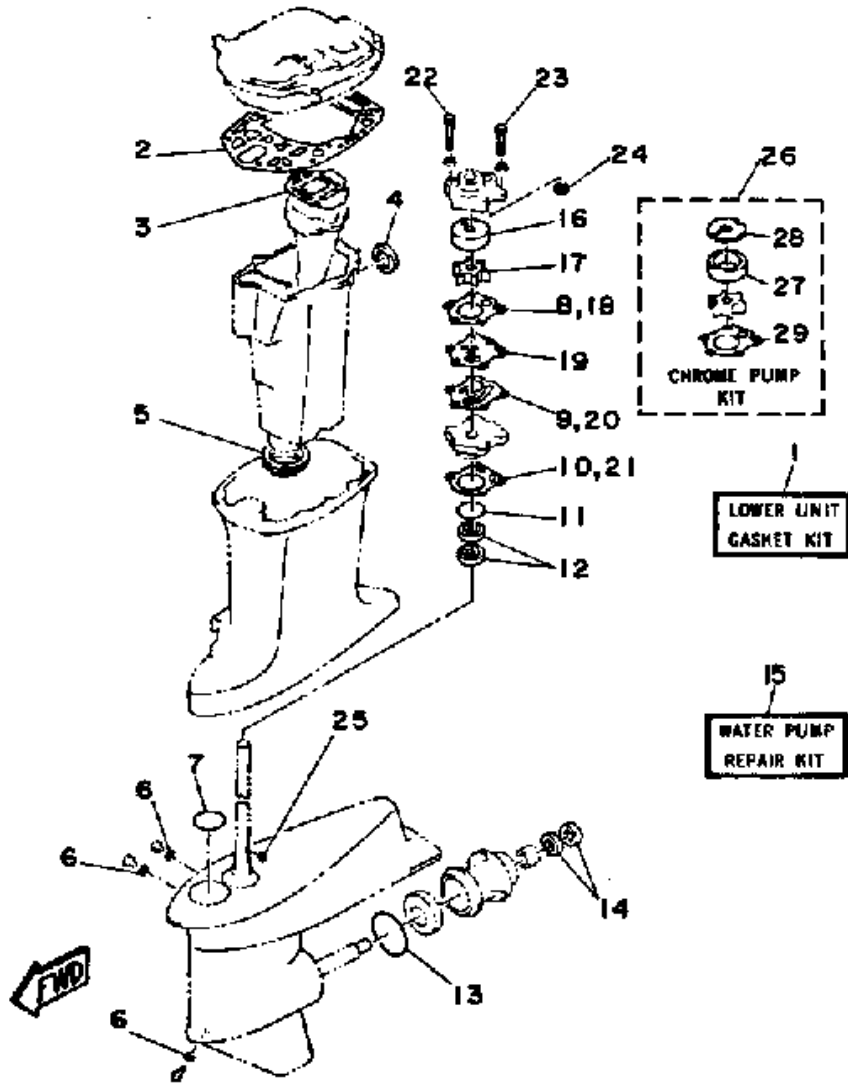
## Part Notes

40ELF 1989 / REPAIR KIT 1

| PART NUMBER   | NOTE TEXT  |
|---|--|
| 650-24431-A0-00  | OEM: This part number is among the Top 100 Most Popular Marine Maintenance Parts as of March 2014. |

©2014 Yamaha Motor Corporation, U.S.A. All rights reserved.

40ELF 1989 / REPAIR KIT 2



©2014 Yamaha Motor Corporation, U.S.A. All rights reserved.



## Part List

40ELF 1989 / REPAIR KIT 2

| REF<br>-<br>NO | PART<br>NUMBER  | PART NAME                      | QUANTITY | REMARKS |
|----------------|-----------------|--------------------------------|----------|---------|
| 1              | 6H4-W0001-20-00 | LOWER UNIT GASKET KIT          | 1        |         |
| 2              | 6H4-45114-A1-00 | .GASKET, UPPER CASING          | 1        |         |
| 3              | 6H4-41134-A0-00 | .GASKET, EXHAUST<br>MANIFOLD   | 1        |         |
| 4              | 6H4-41133-00-00 | .GASKET, EXHAUST<br>MANIFOLD 1 | 1        |         |
| 5              | 663-45123-00-00 | .GASKET, MUFFLER               | 1        |         |
| 6              | 90430-08020-00  | .GASKET                        | 3        |         |
| 7              | 93210-49046-00  | .O-RING                        | 1        |         |
| 8              | 663-44315-00-00 | .GASKET, WATER PUMP            | 1        |         |
| 9              | 663-44324-00-00 | .OIL SEAL                      | 1        |         |
| 10             | 663-44316-00-00 | .GASKET, WATER PUMP            | 1        |         |
| 11             | 93210-41042-00  | .O-RING                        | 1        |         |
| 12             | 93101-23070-00  | .OIL SEAL                      | 2        |         |
| 13             | 93210-66M98-00  | .O-RING                        | 1        |         |
| 14             | 93101-22067-00  | .OIL SEAL                      | 2        |         |
| 15             | 6H4-W0078-00-00 | WATER PUMP REPAIR KIT          | 1        |         |
| 16             | 663-44322-00-00 | .INSERT, CARTRIDGE             | 1        |         |
| 17             | 6H4-44352-02-00 | .IMPELLER                      | 1        |         |
| 18             | 663-44315-00-00 | .GASKET, WATER PUMP            | 1        |         |
| 19             | 663-44323-00-00 | .OUTER PLATE, CARTRIDGE        | 1        |         |
| 20             | 663-44324-00-00 | .OIL SEAL                      | 1        |         |
| 21             | 663-44316-00-00 | .GASKET, WATER PUMP            | 1        |         |
| 22             | 97395-08055-00  | .BOLT                          | 2        |         |
| 23             | 97395-08045-00  | .BOLT                          | 2        |         |
| 24             | 663-44366-00-00 | .DAMPER, WATER SEAL 2          | 1        |         |
| 25             | 90280-03024-00  | .KEY, WOODRUFF                 | 1        |         |
| 26             | 6H4-W0078-0A-00 | CHROME PUMP KIT                | 1        |         |
| 27             | 670-44322-01-00 | .INSERT, CARTRIDGE             | 1        |         |
| 28             | 670-44321-00-00 | .INNER PLATE, CARTRIDGE        | 1        |         |
| 29             | 670-44323-00-00 | .OUTER PLATE, CARTRIDGE        | 1        |         |

## Part Notes

40ELF 1989 / REPAIR KIT 2

| PART NUMBER     |   | NOTE TEXT  |
|-----------------|---|--|
| 90430-08020-00  |  | OEM: This part number is among the Top 100 Most Popular Marine Maintenance Parts as of March 2014. |
| 6H4-44352-02-00 |  | OEM: This part number is among the Top 100 Most Popular Marine Maintenance Parts as of March 2014. |

©2014 Yamaha Motor Corporation, U.S.A. All rights reserved.

©2014 Yamaha Motor Corporation, U.S.A. All rights reserved.