






Part List

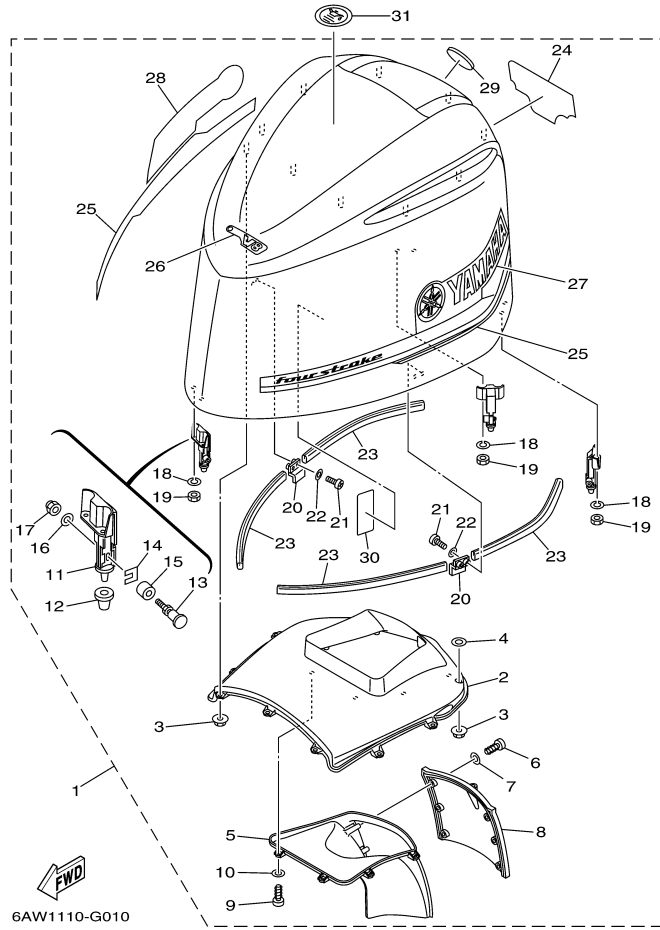
LF350TUR 0407 / SCHEDULED SERVICE PARTS

REF - NO	PART NUMBER	PART NAME	QUANTITY	REMARKS
1	63P-13915-00-00	FILTER	1	FUEL INJECTION PUMP (REF # 17)
2	6P3-24563-00-00	ELEMENT, FILTER	1	FUEL 1 (REF # 11)
3	90430-14M09-00	.GASKET	1	OIL PAN (REF # 6)
4	63P-11325-01-00	ANODE	3	CYLINDER CRANKCASE 1 (REF # 18)
5	N26-13440-00-00	ELEMENT ASSY, OIL CLEANER	1	CYLINDER CRANKCASE 1 (REF # 41)
6	6AW-12411-00-00	THERMOSTAT	2	CYLINDER CRANKCASE 1 (REF # 20)
7	6AW-1132P-00-00	ANODE 5	8	CYLINDER CRANKCASE 1 (REF # 37)
8	6AW-1132R-00-00	ANODE 6	2	CYLINDER CRANKCASE 1 (REF # 27)
9	6AW-11325-00-00	ANODE	6	CYLINDER CRANKCASE 2 (REF # 16)
10	NGK-LFR6A-11-00	PLUG, SPARK (NGK LFR6A-11)	8	CYLINDER CRANKCASE 2 (REF # 37)
11	6G5-45251-02-00	ANODE	1	BRACKET 1 (REF # 4)
12	6AW-1132M-00-00	ANODE 3	2	CYLINDER CRANKCASE 3 (REF # 20)
13	6AW-1132L-00-00	ANODE 2	2	CYLINDER CRANKCASE 3 (REF # 12)
14	6AW-1132N-00-00	ANODE 4	10	CYLINDER CRANKCASE 3 (REF # 22)
15	90430-08020-00	.GASKET	2	LOWER CASING DRIVE 1 (REF # 9)
16	6AW-45373-00-00	ANODE	1	LOWER CASING DRIVE 2 (REF # 20)
17	6AW-45619-00-00	CAP	1	LOWER CASING DRIVE 2 (REF # 23)

Part Notes

LF350TUR 0407 / SCHEDULED SERVICE PARTS

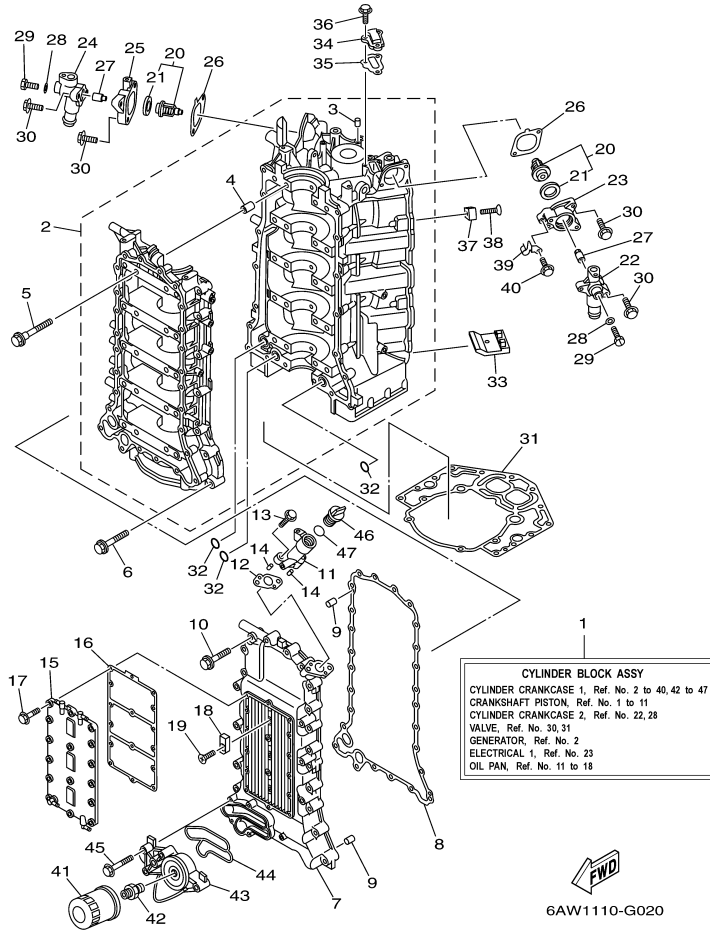
PART NUMBER		NOTE TEXT
63P-13915-00-00		OEM: This part number is among the Top 100 Most Popular Marine Maintenance Parts as of February 2013.
90430-14M09-00		OEM: This part number is among the Top 100 Most Popular Marine Maintenance Parts as of February 2013.
N26-13440-00-00		OEM: This part number is among the Top 100 Most Popular Marine Maintenance Parts as of February 2013.
6G5-45251-02-00		OEM: This part number is among the Top 100 Most Popular Marine Maintenance Parts as of February 2013.
90430-08020-00		OEM: This part number is among the Top 100 Most Popular Marine Maintenance Parts as of February 2013.



Part List

LF350TUR 0407 / TOP COWLING

REF - NO	PART NUMBER	PART NAME	QUANTITY	REMARKS
1	6AW-42610-00-8D	TOP COWLING ASSY	1	
2	6AW-42613-00-00	.MOLDING, AIR DUCT	1	
3	90179-06M28-00	.NUT	10	
4	90202-06003-00	.WASHER, PLATE	3	
5	6AW-42635-00-00	.DUCT, WATER SEPARATOR	1	
6	97780-60516-00	.SCREW, TAPPING	6	
7	92995-06200-00	.WASHER	6	
8	6AW-42532-00-00	.COVER	1	
9	97780-60516-00	.SCREW, TAPPING	7	
10	92995-06200-00	.WASHER	7	
11	6AW-42647-00-9S	.HOLDER, CLAMP BAND	3	
12	6AW-42663-00-00	.DAMPER	3	
13	6AW-42752-00-00	.SHAFT	3	
14	6AW-42646-00-00	.PLATE, CLAMP	3	
15	6AW-42651-00-00	.HOOK	3	
16	92995-06600-00	.WASHER	3	
17	95780-06300-00	.NUT, FLANGE	3	
18	92990-06100-00	.WASHER, SPRING	6	
19	95380-06600-00	.NUT, HEXAGON	6	
20	6AW-42477-00-00	.PLATE, LOCK	2	
21	97885-05010-00	.SCREW, PAN HEAD	4	
22	92995-05600-00	.WASHER	4	
23	6AW-42628-00-00	.SEAL	4	
24	6AW-42678-00-00	.GRAPHIC, REAR	1	
25	6AW-W0070-00-00	.GRAPHIC SET	1	
26	6AW-42677-00-00	.GRAPHIC, FRONT	1	
27	6AW-42681-00-00	.MARK, COWLING	1	
28	6AW-42682-00-00	.MARK, COWLING	1	
29	6AW-42697-00-00	.TUNING FORK MARK	1	
30	6AH-42735-00-00	.PROTECTOR	1	
31	67F-13434-03-00	LABEL, CAUTION	1	



Part List

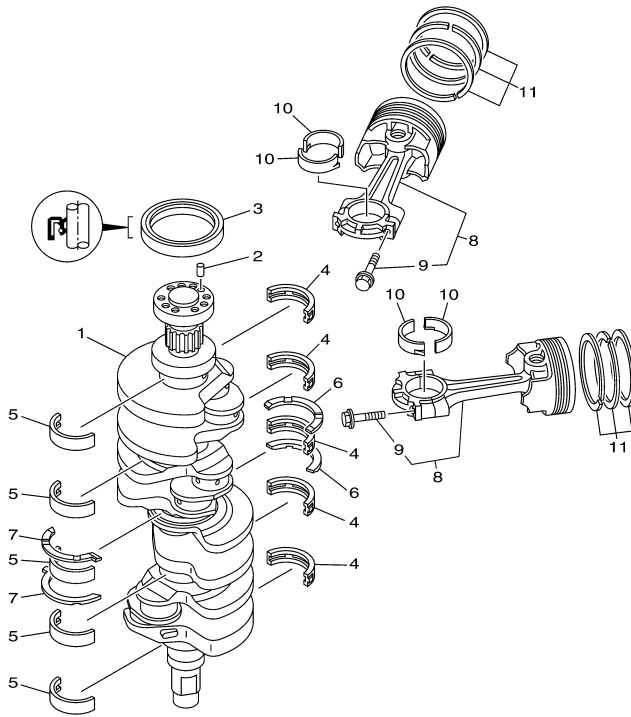
LF350TUR 0407 / CYLINDER CRANKCASE 1

REF - NO	PART NUMBER	PART NAME	QUANTITY	REMARKS
1	6AW-W009B-00-9S	CYLINDER BLOCK ASSY	1	
2	6AW-15100-00-9S	CRANKCASE ASSY	1	
3	93606-12019-00	.PIN, DOWEL	3	
4	91814-18001-00	.PIN, DOWEL	10	
5	69J-15187-00-00	BOLT	20	
6	90105-08175-00	BOLT, FLANGE	18	
7	6AW-15411-00-9S	COVER, CRANKCASE 1	1	
8	6AW-15451-00-00	.GASKET, CRANKCASE COVER 1	1	
9	93606-12019-00	PIN, DOWEL	2	
10	90105-08175-00	BOLT, FLANGE	26	
11	6AW-15319-00-9S	JOINT	1	
12	6AW-15364-00-00	.GASKET, OIL PLUG	1	
13	90105-06155-00	BOLT, FLANGE	2	
14	93604-08062-00	PIN, DOWEL	2	
15	6AW-15421-00-9S	COVER, CRANKCASE 2	1	
16	6AW-15461-00-00	.GASKET, CRANKCASE COVER 2	1	
17	90105-06037-00	BOLT, FLANGE	16	
18	63P-11325-01-00	ANODE	3	
19	90151-06M02-00	SCREW, COUNTERSUNK	3	
20	6AW-12411-00-00	THERMOSTAT	2	
21	6AW-12412-00-00	.SEAL, THERMOSTAT	1	
22	6AW-12413-00-9S	COVER, THERMOSTAT	1	
23	6AW-12422-00-9S	COVER, HOUSING	1	
24	6AW-1241B-00-9S	COVER, THERMOSTAT 2	1	
25	6AW-1242B-00-9S	COVER, HOUSING 2	1	
26	6AW-12427-00-00	.GASKET, HOUSING COVER 1	2	
27	6AW-1132R-00-00	ANODE 6	2	
28	90430-05002-00	GASKET	2	
29	90105-05012-00	BOLT, FLANGE	2	
30	90105-06028-00	BOLT, FLANGE	8	
31	6AW-11351-00-00	.GASKET, CYLINDER	1	
32	93210-26658-00	.O-RING	3	
33	6AW-14664-00-00	.GROMMET, WATER SHUT	2	
34	6AW-1131M-00-9S	COVER	1	
35	6AW-11381-00-00	.GASKET 1	1	
36	90105-06039-00	BOLT, FLANGE	3	
37	6AW-1132P-00-00	ANODE 5	8	
38	98780-06530-00	SCREW, FLAT HEAD	8	
39	90462-12008-00	CLAMP	1	
40	95895-06012-00	BOLT, FLANGE	1	
41	N26-13440-00-00	ELEMENT ASSY, OIL CLEANER	1	
42	90401-19001-00	BOLT, UNION	1	
43	6AW-13446-00-9S	CONNECTOR	1	
44	6AW-13477-00-00	.GASKET	1	
45	95885-06045-00	BOLT, FLANGE	5	
46	6G8-15363-00-00	PLUG, OIL	1	
47	93210-24M79-00	.O-RING	1	

Part Notes

LF350TUR 0407 / CYLINDER CRANKCASE 1

PART NUMBER	NOTE TEXT
N26-13440-00-00 	OEM: This part number is among the Top 100 Most Popular Marine Maintenance Parts as of February 2013.

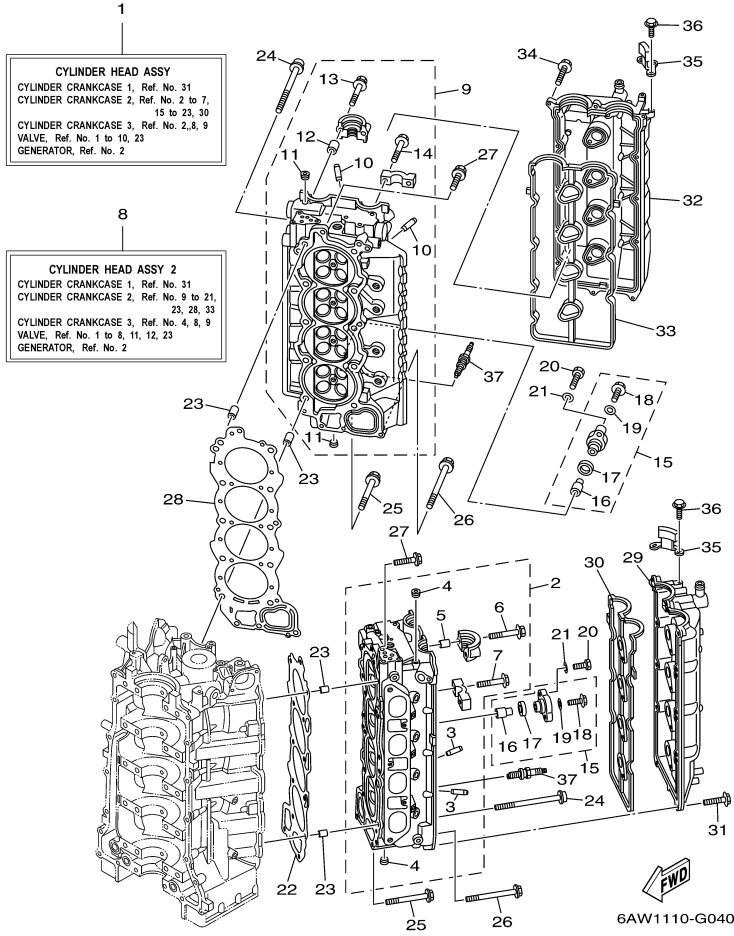


6AW1110-G030

Part List

LF350TUR 0407 / CRANKSHAFT PISTON

REF - NO	PART NUMBER	PART NAME	QUANTITY	REMARKS
1	6AW-11411-00-00	CRANKSHAFT	1	
2	93606-12019-00	PIN, DOWEL	1	
3	93102-85004-00	.OIL SEAL	1	
4	6AW-11416-00-00	PLANE BEARING, CRANKSHAFT 1	5	UR YELLOW
4	6AW-11416-10-00	PLANE BEARING, CRANKSHAFT 1	5	UR GREEN
4	6AW-11416-40-00	PLANE BEARING, CRANKSHAFT 1	5	UR BLUE
4	6AW-11416-30-00	PLANE BEARING, CRANKSHAFT 1	5	UR BLACK
4	6AW-11416-20-00	PLANE BEARING, CRANKSHAFT 1	5	UR BROWN
5	6AW-11417-00-00	PLANE BEARING, CRANKSHAFT 2	5	UR YELLOW
5	6AW-11417-10-00	PLANE BEARING, CRANKSHAFT 2	5	UR GREEN
5	6AW-11417-40-00	PLANE BEARING, CRANKSHAFT 2	5	UR BLUE
5	6AW-11417-30-00	PLANE BEARING, CRANKSHAFT 2	5	UR BLACK
5	6AW-11417-20-00	PLANE BEARING, CRANKSHAFT 2	5	UR BROWN
6	6AW-11426-00-00	BEARING, THRUST 1	2	
7	6AW-11427-00-00	BEARING, THRUST 2	2	
8	6AW-W1164-00-00	PISTON/CON-ROD ASSY STD	8	
9	63P-11654-01-00	.BOLT, CONNECTING ROD	2	
10	63P-11656-01-00	PLANE BEARING, CONNECTING ROD	16	UR GREEN
10	63P-11656-21-00	PLANE BEARING, CONNECTING ROD	16	UR RED
10	63P-11656-11-00	PLANE BEARING, CONNECTING ROD	16	UR BLUE
11	6AW-11603-00-00	PISTON RING SET (STD)	8	




Part List

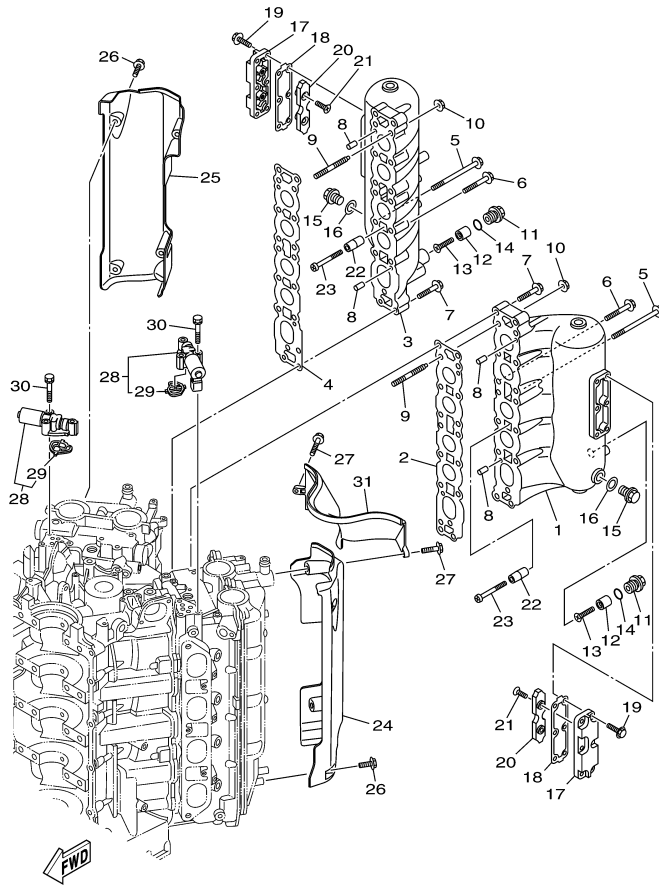
LF350TUR 0407 / CYLINDER CRANKCASE 2

REF - NO	PART NUMBER	PART NAME	QUANTITY	REMARKS
1	6AW-W009A-00-9S	CYLINDER HEAD COMPLETE	1	
2	6AW-11110-00-9S	CYLINDER HEAD ASSY	1	
3	69J-11133-10-00	.GUIDE, VALVE 1	16	
4	90344-51019-00	.PLUG, TAPER SCREW	9	
5	91809-08006-00	.PIN, DOWEL	4	
6	90119-07001-00	.BOLT, WITH WASHER	4	
7	90119-07234-00	.BOLT, WITH WASHER	16	
8	6AW-W009C-00-9S	CYLINDER HEAD 2 COMPLETE	1	
9	6AW-11120-00-9S	CYLINDER HEAD ASSY 2	1	
10	69J-11133-10-00	.GUIDE, VALVE 1	16	
11	90344-51019-00	.PLUG, TAPER SCREW	9	
12	91809-08006-00	.PIN, DOWEL	4	
13	90119-07001-00	.BOLT, WITH WASHER	4	
14	90119-07234-00	.BOLT, WITH WASHER	16	
15	6AW-11301-00-00	ANODE COVER ASSY	6	
16	6AW-11325-00-00	.ANODE	1	
17	67F-11328-00-00	.GROMMET, ANODE	1	
18	90105-06M07-00	.BOLT, FLANGE	1	
19	90430-06M03-00	.GASKET	1	
20	97075-08025-00	BOLT	12	
21	92995-08600-00	WASHER	12	
22	6AW-11181-00-00	.GASKET, CYLINDER HEAD 1	1	
23	90387-11005-00	COLLAR	4	
24	90155-11001-00	SCREW, FLAT FILLISTER	20	
25	90119-08MA5-00	BOLT, WITH WASHER	4	
26	90119-08021-00	BOLT, WITH WASHER	2	
27	90119-08115-00	BOLT, WITH WASHER	2	
28	6AW-11182-00-00	.GASKET, CYLINDER HEAD 2	1	
29	6AW-11191-00-9S	COVER, CYLINDER HEAD 1	1	
30	6AW-11193-00-00	.GASKET, HEAD COVER 1	1	
31	90105-06152-00	BOLT, FLANGE	16	
32	6AW-11192-00-9S	COVER, CYLINDER HEAD 2	1	
33	6AW-11194-00-00	.GASKET, HEAD COVER 2	1	
34	90105-06152-00	BOLT, FLANGE	16	
35	6AW-15142-00-00	GUIDE 1	2	
36	95885-06014-00	BOLT, FLANGE	4	
37	NGK-LFR6A-11-00	PLUG, SPARK (NGK LFR6A- 11)	8	

Part Notes

LF350TUR 0407 / CYLINDER CRANKCASE 2

PART NUMBER	NOTE TEXT
67F-11328-00-00 	OEM: This part number is among the Top 100 Most Popular Marine Maintenance Parts as of February 2013.

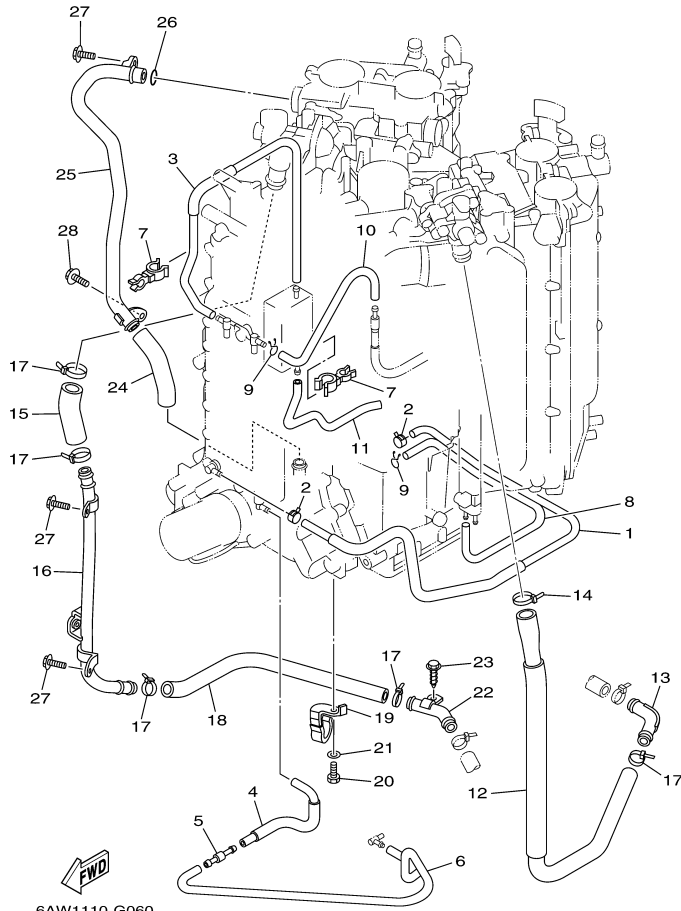


6AW1110-G050

Part List

LF350TUR 0407 / CYLINDER CRANKCASE 3

REF - NO	PART NUMBER	PART NAME	QUANTITY	REMARKS
1	6AW-14615-00-9S	JOINT, EXHAUST 1	1	
2	6AW-14613-00-00	.GASKET, EXHAUST PIPE	1	
3	6AW-14625-00-9S	JOINT, EXHAUST 2	1	
4	6AW-14623-00-00	.GASKET, EXHAUST PIPE	1	
5	90105-08173-00	BOLT, FLANGE	12	
6	90105-08175-00	BOLT, FLANGE	10	
7	90105-06151-00	BOLT, FLANGE	8	
8	93608-16M16-00	PIN, DOWEL	4	
9	90116-08037-00	BOLT, STUD	4	
10	90179-08M34-00	NUT	4	
11	6AW-11197-00-00	PLUG, BLIND	2	
12	6AW-1132L-00-00	ANODE 2	2	
13	98780-05025-00	SCREW, FLAT HEAD	2	
14	93210-19758-00	O-RING	2	
15	90340-18M09-00	PLUG, STRAIGHT SCREW	2	
16	90430-18130-00	.GASKET	2	
17	6AW-1118A-00-9S	COVER	2	
18	6AW-11195-00-00	.GASKET	2	
19	90105-06155-00	BOLT, FLANGE	12	
20	6AW-1132M-00-00	ANODE 3	2	
21	98780-06020-00	SCREW, FLAT HEAD	4	
22	6AW-1132N-00-00	ANODE 4	10	
23	98585-06050-00	SCREW, PAN HEAD	10	
24	6AW-11186-00-00	COVER, CYLINDER HEAD SIDE 2	1	
25	6AW-11187-00-00	COVER, CYLINDER HEAD SIDE 3	1	
26	90119-06M92-00	BOLT, WITH WASHER	6	
27	90119-06199-00	BOLT, WITH WASHER	2	
28	6P2-86120-00-00	SOLENOID VALVE ASSY	2	
29	6P2-12403-00-00	.FILTER	1	
30	90119-06MA6-00	BOLT, WITH WASHER	6	
31	6AW-85537-00-00	COVER	1	

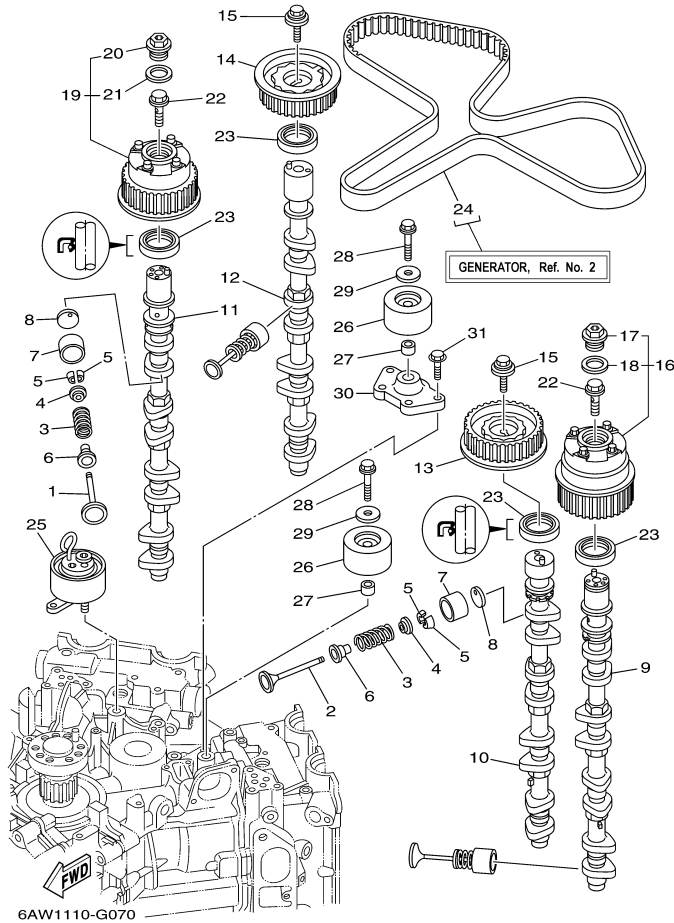


6AW1110-G060

Part List

LF350TUR 0407 / CYLINDER CRANKCASE 4

REF - NO	PART NUMBER	PART NAME	QUANTITY	REMARKS
1	6AW-12576-00-00	HOSE 1	1	
2	90467-11136-00	CLIP	2	
3	6AW-12577-00-00	HOSE 2	1	
4	6AW-12578-00-00	HOSE 3	1	
5	6E5-24379-00-00	PIPE, JOINT 4	1	
6	6AW-12579-00-00	HOSE 4	1	
7	90464-10010-00	CLAMP	2	
8	90445-09111-00	HOSE (L430)	1	
9	90467-08M10-00	CLIP	2	
10	6AW-12483-00-00	PIPE 3	1	
11	6AW-12482-00-00	PIPE 2	1	
12	6AW-1243A-00-00	HOSE 1	1	
13	6AW-12477-00-00	PIPE 7	1	
14	90465-11M59-00	CLAMP	1	
15	6AW-1243E-00-00	HOSE 2	1	
16	6AW-12484-00-00	PIPE 4	1	
17	90465-11M59-00	CLAMP	5	
18	6AW-1244G-00-00	HOSE, 4	1	
19	6AW-12491-00-00	CLAMP 1	1	
20	97095-06014-00	BOLT	1	
21	92995-06600-00	WASHER	1	
22	6AW-12476-00-00	PIPE 6	1	
23	90109-06M86-00	BOLT	1	
24	6AW-1244J-00-00	HOSE 6	1	
25	6AW-11378-00-00	HOSE 2	1	
26	93210-207A0-00	O-RING	1	
27	95885-06014-00	BOLT, FLANGE	3	
28	95885-06010-00	BOLT, FLANGE	1	




Part List

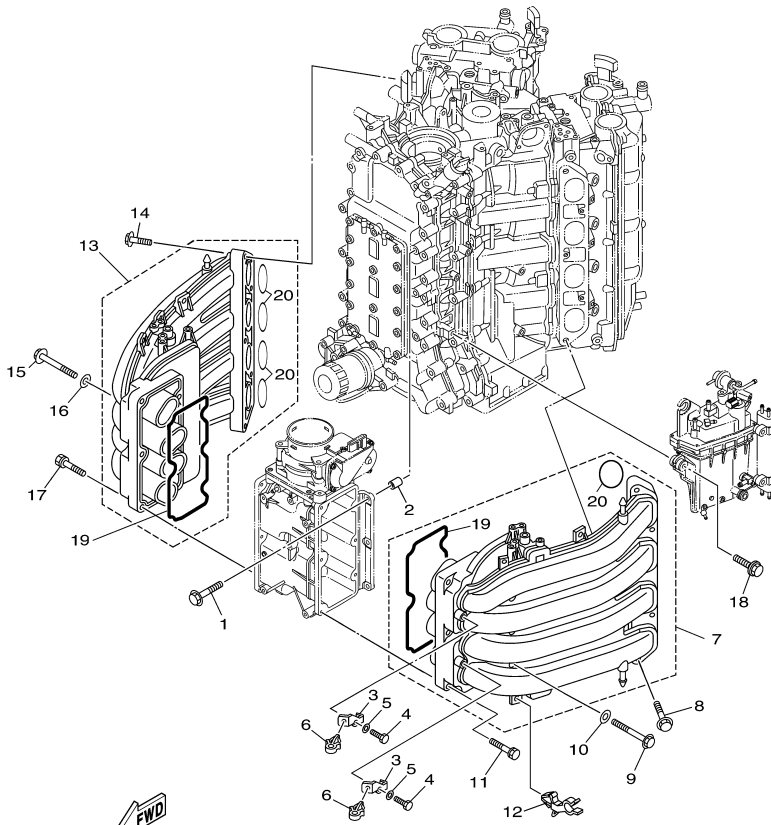
LF350TUR 0407 / VALVE

REF - NO	PART NUMBER	PART NAME	QUANTITY	REMARKS
1	6P2-12111-00-00	VALVE, INTAKE	16	
2	6P2-12121-00-00	VALVE, EXHAUST	16	
3	69J-12113-01-00	SPRING, VALVE INNER	32	
4	69J-12117-01-00	RETAINER, VALVE SPRING	32	
5	69J-12118-00-00	COTTER, VALVE	64	
6	69J-12119-00-00	SEAL, VALVE STEM	32	
7	69J-12153-00-00	LIFTER, VALVE	32	
8	6S1-12168-00-00	PAD, ADJUSTING (2.320)	32	UR
8	6S1-12169-00-00	PAD, ADJUSTING (2.960)	32	UR
8	6S1-12168-20-00	PAD, ADJUSTING (2.360)	32	UR
8	6S1-12168-30-00	PAD, ADJUSTING (2.380)	32	UR
8	6S1-12168-40-00	PAD, ADJUSTING (2.400)	32	UR
8	6S1-12168-50-00	PAD, ADJUSTING (2.420)	32	UR
8	6S1-12168-60-00	PAD, ADJUSTING (2.440)	32	UR
8	6S1-12168-70-00	PAD, ADJUSTING (2.460)	32	UR
8	6S1-12168-80-00	PAD, ADJUSTING (2.480)	32	UR
8	6S1-12168-90-00	PAD, ADJUSTING (2.500)	32	UR
8	6S1-12168-A0-00	PAD, ADJUSTING (2.520)	32	UR
8	6S1-12168-B0-00	PAD, ADJUSTING (2.540)	32	UR
8	6S1-12168-C0-00	PAD, ADJUSTING (2.560)	32	UR
8	6S1-12168-D0-00	PAD, ADJUSTING (2.580)	32	UR
8	6S1-12168-E0-00	PAD, ADJUSTING (2.600)	32	UR
8	6S1-12168-F0-00	PAD, ADJUSTING (2.620)	32	UR
8	6S1-12168-G0-00	PAD, ADJUSTING (2.640)	32	UR
8	6S1-12168-H0-00	PAD, ADJUSTING (2.660)	32	UR
8	6S1-12168-J0-00	PAD, ADJUSTING (2.680)	32	UR
8	6S1-12168-K0-00	PAD, ADJUSTING (2.700)	32	UR
8	6S1-12168-L0-00	PAD, ADJUSTING (2.720)	32	UR
8	6S1-12168-M0-00	PAD, ADJUSTING (2.740)	32	UR
8	6S1-12168-N0-00	PAD, ADJUSTING (2.760)	32	UR
8	6S1-12168-P0-00	PAD, ADJUSTING (2.780)	32	UR
8	6S1-12168-R0-00	PAD, ADJUSTING (2.800)	32	UR
8	6S1-12168-S0-00	PAD, ADJUSTING (2.820)	32	UR
8	6S1-12168-T0-00	PAD, ADJUSTING (2.840)	32	UR
8	6S1-12168-U0-00	PAD, ADJUSTING (2.860)	32	UR
8	6S1-12168-V0-00	PAD, ADJUSTING (2.880)	32	UR
8	6S1-12168-W0-00	PAD, ADJUSTING (2.900)	32	UR
8	6S1-12168-X0-00	PAD, ADJUSTING (2.920)	32	UR
8	6S1-12168-Y0-00	PAD, ADJUSTING (2.940)	32	UR
8	6S1-12168-10-00	PAD, ADJUSTING (2.340)	32	UR
9	6AW-12171-00-00	CAMSHAFT 1	1	
10	6AW-12181-00-00	CAMSHAFT 2	1	
11	6AW-12172-00-00	CAMSHAFT 3	1	
12	6AW-12182-00-00	CAMSHAFT 4	1	
13	6AW-11537-00-00	GEAR, DRIVEN	1	
14	6AW-11567-00-00	GEAR, DRIVEN 2	1	
15	90119-10M06-00	BOLT, WITH WASHER	2	
16	6AW-12645-00-00	PULLEY ASSY 1	1	
17	6P2-12623-00-00	.BOLT	1	
18	6P2-12663-00-00	.GASKET	1	
19	6AW-1264A-00-00	PULLEY ASSY 2	1	
20	6P2-12623-00-00	.BOLT	1	
21	6P2-12663-00-00	.GASKET	1	
22	6P2-12615-00-00	BOLT	2	
23	93102-38M59-00	.OIL SEAL	4	
24	6AW-W4624-00-00	BELT (WITH ROTOR BOLTS)	1	
25	6P2-11590-00-00	TENSIONER ASSY	1	
26	6P2-15512-00-00	GEAR, IDLER 1	2	
27	90387-10M08-00	COLLAR	2	
28	90119-10M07-00	BOLT, WITH WASHER	2	
29	90201-10M01-00	WASHER, PLATE	2	
30	6AW-15544-00-94	STAY 1	1	
31	90105-08178-00	BOLT, FLANGE	4	

Part Notes

LF350TUR 0407 / VALVE

PART NUMBER		NOTE TEXT
69J-12119-00-00		OEM: This part number is among the Top 100 Most Popular Marine Maintenance Parts as of February 2013.

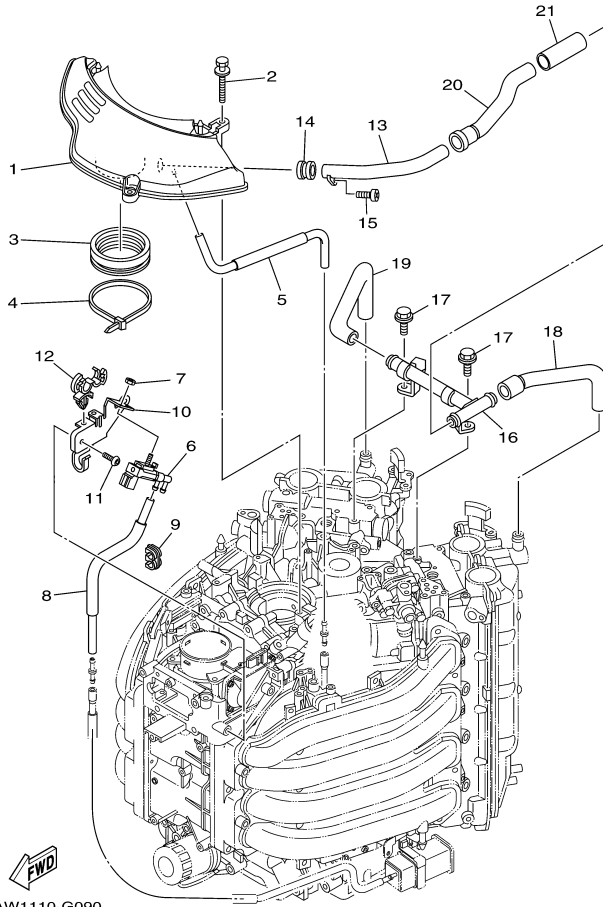


6BJ1100-G080

Part List

LF350TUR 0407 / INTAKE 1

REF - NO	PART NUMBER	PART NAME	QUANTITY	REMARKS
1	95875-08035-00	BOLT, FLANGE	6	
2	99530-10114-00	PIN, DOWEL	2	
3	6AW-13782-00-00	STAY	2	
4	97095-06012-00	BOLT	2	
5	92995-06600-00	WASHER	2	
6	90464-09008-00	CLAMP	2	
7	6AW-13641-00-00	MANIFOLD 1	1	
8	97575-08540-00	BOLT, WITH WASHER	5	
9	90105-06149-00	BOLT, FLANGE	3	
10	92995-06200-00	WASHER	3	
11	90119-06MA6-00	BOLT, WITH WASHER	3	
12	90464-17006-00	CLAMP	2	
13	6AW-13641-00-00	MANIFOLD 1	1	
14	97575-08540-00	BOLT, WITH WASHER	5	
15	90105-06149-00	BOLT, FLANGE	3	
16	92995-06200-00	WASHER	3	
17	90119-06MA6-00	BOLT, WITH WASHER	3	
18	90119-06M24-00	BOLT, WITH WASHER	4	
19	6AW13646-00-00	GASKET, INTAKE MANIFOLD 2	2	
20	6AW-13645-00-00	.GASKET, MANIFOLD 1	8	



6AW1110-G090

Part List

LF350TUR 0407 / INTAKE 2

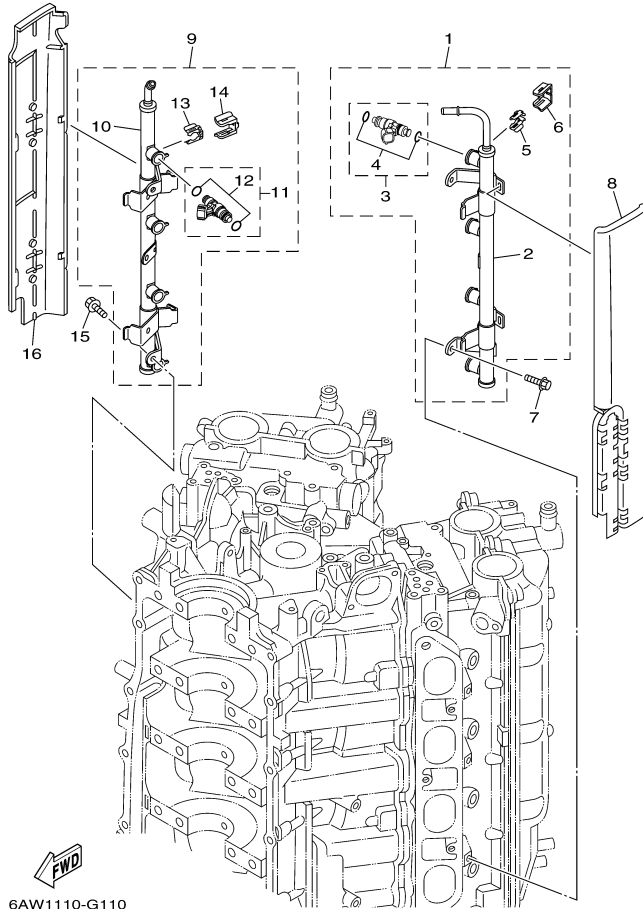
REF - NO	PART NUMBER	PART NAME	QUANTITY	REMARKS
1	6AW-14440-00-00	SILENCER ASSY, INTAKE	1	
2	90119-06M35-00	BOLT, WITH WASHER	3	
3	6AW-1441J-00-00	PIPE, SILENCER	1	
4	90464-99004-00	CLAMP	1	
5	6AW-14419-00-00	PIPE	1	
6	6C5-86120-00-00	SOLENOID VALVE ASSY	1	
7	95380-06600-00	NUT, HEXAGON	1	
8	6AW-24312-00-00	PIPE 2	1	
9	90464-12224-00	CLAMP	1	
10	6AW-8611A-00-00	HOLDER SOLENOID	1	
11	90111-06034-00	BOLT,HEX. SOCKET BUTTON	2	
12	90464-18246-00	CLAMP	1	
13	6AW-15373-00-00	PIPE, BREATHER	1	
14	6AW-14445-00-00	GROMMET	1	
15	97780-60620-00	SCREW, TAPPING	1	
16	6AW-15393-00-00	PIPE, BREATHER 2	1	
17	97575-06514-00	BOLT, WITH WASHER	2	
18	6AW-1531A-00-00	HOSE, BREATHER 1	1	
19	6AW-1531A-10-00	HOSE, BREATHER 1	1	
20	6AW-1532A-00-00	HOSE, BREATHER 2	1	
21	90446-32002-00	HOSE (L90)	1	



Part List

LF350TUR 0407 / THROTTLE BODY ASSY 1

REF - NO	PART NUMBER	PART NAME	QUANTITY	REMARKS
1	6AW-13750-00-00	THROTTLE BODY ASSY	1	
2	6AW-13751-00-00	.BODY, THROTTLE 1	1	
3	6AW-13711-00-00	.MIXING BODY	1	
4	6AW-13556-00-00	.GASKET, MANIFOLD	1	
5	6AW-13557-00-00	.GASKET	1	
6	6AW-14360-00-00	.THROTTLE DAMPER ASSY	1	
7	6P2-13588-00-00	.NUT	4	
8	6P2-13578-00-00	.WASHER	4	
9	6P2-14496-00-00	.BOLT	4	
10	6P2-82380-00-00	.SENSOR, PRESSURE	1	
11	6P2-13573-00-00	.BOLT 1	1	
12	68V-14356-00-00	.WASHER, SPRING	1	
13	4N0-14251-00-00	.NIPPLE	1	
14	5JW-24311-00-00	.PIPE, FUEL 1	1	
15	6AW-82364-00-00	.HOSE 2	1	
16	6AW-82365-00-00	.HOSE 3	1	
17	6AW-11188-00-00	.CLIP, PIPE	1	
18	6AW-82366-00-00	.HOSE 4	1	

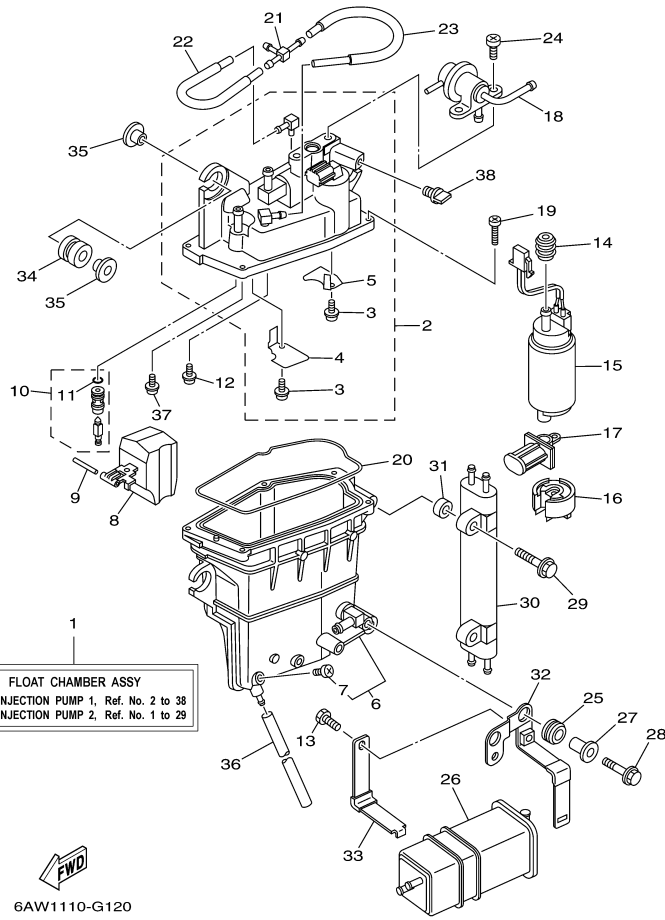


6AW1110-G110

Part List

LF350TUR 0407 / THROTTLE BODY ASSY 2

REF - NO	PART NUMBER	PART NAME	QUANTITY	REMARKS
1	6AW-13160-00-00	DELIVERY PIPE ASSY 1	1	
2	6AW-13161-00-00	.PIPE, DELIVERY 1	1	
3	6AW-13761-00-00	.INJECTOR	4	
4	6AW-1410B-00-00	..PACKING KIT	1	
5	6AW-13577-00-00	.CLIP	4	
6	6AW-13767-00-00	.CAP, INJECTOR	4	
7	95875-06016-00	BOLT, FLANGE	2	
8	6AW-13564-00-00	COVER, MANIFOLD	1	
9	6AW-13170-00-00	DELIVERY PIPE ASSY 2	1	
10	6AW-13171-00-00	.PIPE, DELIVERY 2	1	
11	6AW-13761-00-00	.INJECTOR	4	
12	6AW-1410B-00-00	..PACKING KIT	1	
13	6AW-13577-00-00	.CLIP	4	
14	6AW-13767-00-00	.CAP, INJECTOR	4	
15	95875-06016-00	BOLT, FLANGE	2	
16	6AW-13594-00-00	COVER, MANIFOLD 2	1	




Part List

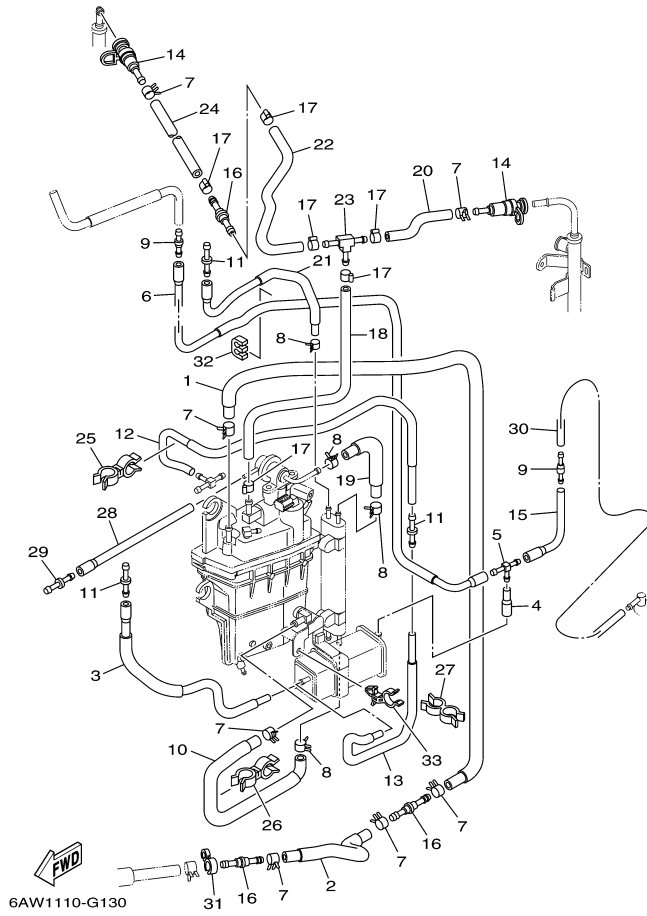
LF350TUR 0407 / FUEL INJECTION PUMP 1

REF - NO	PART NUMBER	PART NAME	QUANTITY	REMARKS
1	6AW-14180-00-00	FLOAT CHAMBER ASSY	1	
2	6AW-14182-00-00	COVER, FLOAT CHAMBER	1	
3	4SV-24453-00-00	.SCREW	2	
4	6AW-2411T-00-00	.PLATE 2	1	
5	6AW-2411R-00-00	.PLATE 1	1	
6	6AW-14181-00-00	BODY, FLOAT CHAMBER 1	1	
7	6P2-14191-00-00	.PLUG, DRAIN	1	
8	6P2-14985-00-00	FLOAT	1	
9	6P2-14386-00-00	PIN, FLOAT	1	
10	6P2-14546-00-00	VALVE, NEEDLE	1	
11	6P2-13769-00-00	.O-RING	1	
12	4SV-24453-00-00	SCREW	1	
13	6P2-13574-00-00	BOLT 2	1	
14	68V-13781-10-00	.DAMPER, PUMP	1	
15	6AW-13907-00-00	FUEL PUMP COMP.	1	
16	63P-13784-00-00	.COVER, PUMP	1	
17	63P-13915-00-00	FILTER	1	
18	6AW-13906-00-00	REGULATOR, PRESSURE	1	
19	63P-14567-00-00	SCREW	5	
20	6AW-14984-00-00	GASKET, FLOAT CHAMBER	1	
21	69J-24379-00-00	PIPE, JOINT 4	1	
22	6AW-1475F-00-00	PIPE 3	1	
23	6AW-1475G-00-00	PIPE 4	1	
24	68V-14564-00-00	SCREW	2	
25	90480-10M23-00	GROMMET	2	
26	6P2-24170-00-00	CANISTER ASSY	1	
27	90387-06M60-00	COLLAR	2	
28	90119-06M59-00	BOLT, WITH WASHER	2	
29	6P2-14446-00-00	BOLT	2	
30	69J-21841-02-00	COOLER	1	
31	68V-14265-00-00	COLLAR	2	
32	6AW-2134X-00-00	BRACKET, CANISTER	1	
33	6P2-2419A-00-00	HOLDER	1	
34	69J-13593-00-00	DAMPER	4	
35	69J-13716-00-00	COLLAR	8	
36	6AW-14197-00-00	PIPE	1	
37	98507-04008-00	.SCREW, PAN HEAD	1	
38	69J-14225-00-00	CAP	1	

Part Notes

LF350TUR 0407 / FUEL INJECTION PUMP 1

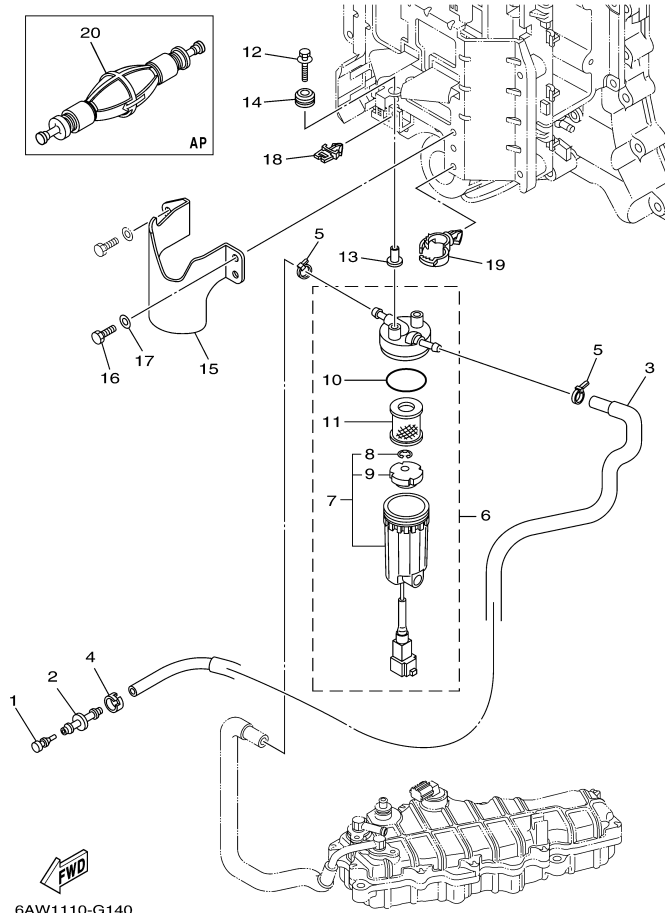
PART NUMBER	NOTE TEXT
63P-13915-00-00 	OEM: This part number is among the Top 100 Most Popular Marine Maintenance Parts as of February 2013.



Part List

LF350TUR 0407 / FUEL INJECTION PUMP 2

REF - NO	PART NUMBER	PART NAME	QUANTITY	REMARKS
1	6AW-24316-00-00	PIPE 6	1	
2	6AW-24317-00-00	PIPE 7	1	
3	6AW-1475H-00-00	PIPE 5	1	
4	6AW-13545-00-00	HOSE 1	1	
5	688-24378-00-00	PIPE, JOINT 3	1	
6	6AW-13548-00-00	HOSE, AIR 4	1	
7	68V-13577-00-00	CLIP	7	
8	68V-24519-00-00	CLIP	4	
9	6E5-21744-00-00	BREATHER	2	
10	6AW-24315-00-00	PIPE 5	1	
11	6P2-1410F-00-00	NIPPLE 1	3	
12	6AW-1475A-00-00	PIPE 1	1	
13	6AW-1475E-00-00	PIPE 2	1	
14	60E-24300-01-00	FUEL PIPE JOINT	2	
15	6AW-13547-00-00	HOSE 3	1	
16	6P2-24461-00-00	PIPE, JOINT	3	
17	68V-24387-00-00	.CLIP	6	
18	6AW-13971-00-00	PIPE, FUEL 1	1	
19	6AW-13976-00-00	PIPE, FUEL 6	1	
20	6AW-13974-00-00	PIPE, FUEL 4	1	
21	6AW-2247A-00-00	HOSE 1	1	
22	6AW-13973-00-00	PIPE, FUEL 3	1	
23	6AW-24461-00-00	PIPE, JOINT	1	
24	6AW-13972-00-00	PIPE, FUEL 2	1	
25	6AW-2417H-00-00	CLAMP 1	1	
26	6AW-2417J-00-00	CLAMP 2	1	
27	6B6-12486-00-00	CLIP	1	
28	6AW-13543-00-00	HOSE, AIR	1	
29	6P2-24376-00-00	PIPE, JOINT 1	1	
30	90445-08033-00	HOSE (L520)	1	
31	90464-13M34-00	CLAMP	1	
32	90464-07006-00	CLAMP	1	
33	90464-17006-00	CLAMP	1	



FWD
6AW1110-G140


Part List

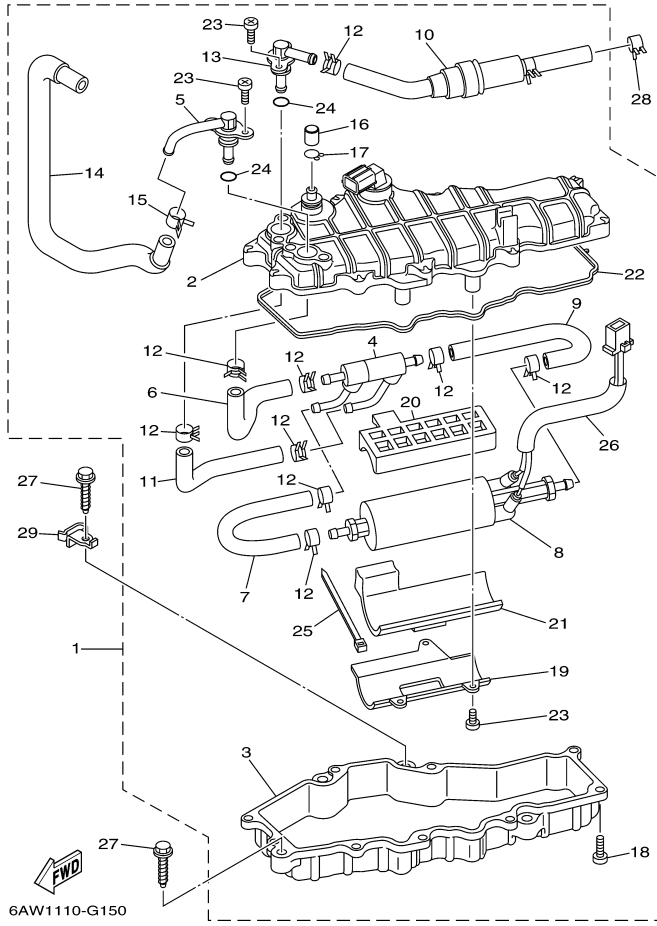
LF350TUR 0407 / FUEL 1

REF - NO	PART NUMBER	PART NAME	QUANTITY	REMARKS
1	689-85547-00-00	DAMPER	1	
2	6AW-24377-00-00	PIPE, JOINT 2	1	
3	6AW-24311-00-00	PIPE, FUEL 1	1	
4	6E5-24351-51-00	BAND 1	1	
5	90465-11M10-00	CLAMP	2	
6	6P3-24560-10-00	FILTER ASSY	1	
7	6P3-24562-10-00	.CUP, FILTER	1	
8	6P3-24519-00-00	..CLIP	1	
9	6P3-24469-00-00	..FLOAT, WATER LEVEL	1	
10	6P3-24564-00-00	.GASKET	1	
11	6P3-24563-00-00	.ELEMENT, FILTER	1	
12	90119-06M17-00	BOLT, WITH WASHER	2	
13	90387-06M60-00	COLLAR	2	
14	90480-10M23-00	GROMMET	2	
15	6AW-24596-00-00	COVER	1	
16	97095-06012-00	BOLT	2	
17	92995-06600-00	WASHER	2	
18	90464-11121-00	CLAMP	1	
19	90464-20181-00	CLAMP	1	
20	6AW-24360-00-00	PRIMER PUMP ASSY	1	AP

Part Notes

LF350TUR 0407 / FUEL 1

PART NUMBER	NOTE TEXT
6P3-24564-00-00 	OEM: This part number is among the Top 100 Most Popular Marine Maintenance Parts as of February 2013.

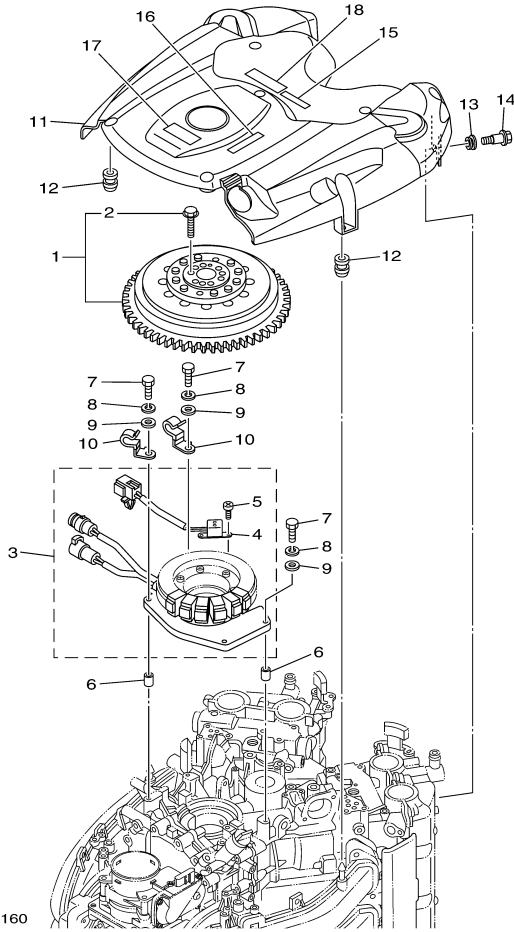


6AW1110-G150

Part List

LF350TUR 0407 / FUEL 2

REF - NO	PART NUMBER	PART NAME	QUANTITY	REMARKS
1	6AW-24408-00-00	FUEL FEED ASSY	1	
2	6AW-244A0-00-00	.PUMP CASE COMP	1	
3	6AW-244A1-00-00	.CASE, PUMP 1	1	
4	6AW-24460-00-00	.RELIEF VALVE ASSY	1	
5	6AW-24378-00-00	.PIPE, JOINT 3	1	
6	6AW-24322-00-00	.PIPE 11	1	
7	6AW-24323-00-00	.PIPE 12	1	
8	6AW-24410-00-00	.FUEL PUMP ASSY	1	
9	6AW-24324-00-00	.PIPE 13	1	
10	6AW-24502-00-00	.FILTER, FUEL	1	
11	6AW-24325-00-00	.PIPE 14	1	
12	68V-13577-00-00	.CLIP	9	
13	6AW-24379-00-00	.PIPE, JOINT 4	1	
14	6AW-24321-00-00	.PIPE 10	1	
15	69J-14137-00-00	.CLIP	1	
16	6AW-14118-00-00	.CAP	1	
17	6AW-24356-00-00	.CLIP, PIPE 1	1	
18	6AW-14567-00-00	.SCREW	9	
19	6AW-24491-00-00	.BRACKET, FUEL PUMP	1	
20	6AW-24492-00-00	.BUSH, FUEL PUMP	1	
21	6AW-24492-10-00	.BUSH, FUEL PUMP	1	
22	6AW-24431-00-00	.GASKET, FUEL PUMP 1	1	
23	6AW-14565-00-00	.SCREW	7	
24	68V-14397-00-00	.O-RING	2	
25	68V-2481H-00-00	.CLAMP	1	
26	6AW-24327-00-00	.PROTECTOR, PIPE	1	
27	90109-06MA2-00	BOLT	4	
28	90467-120A0-00	CLIP	1	
29	90462-12009-00	CLAMP	1	





Part List

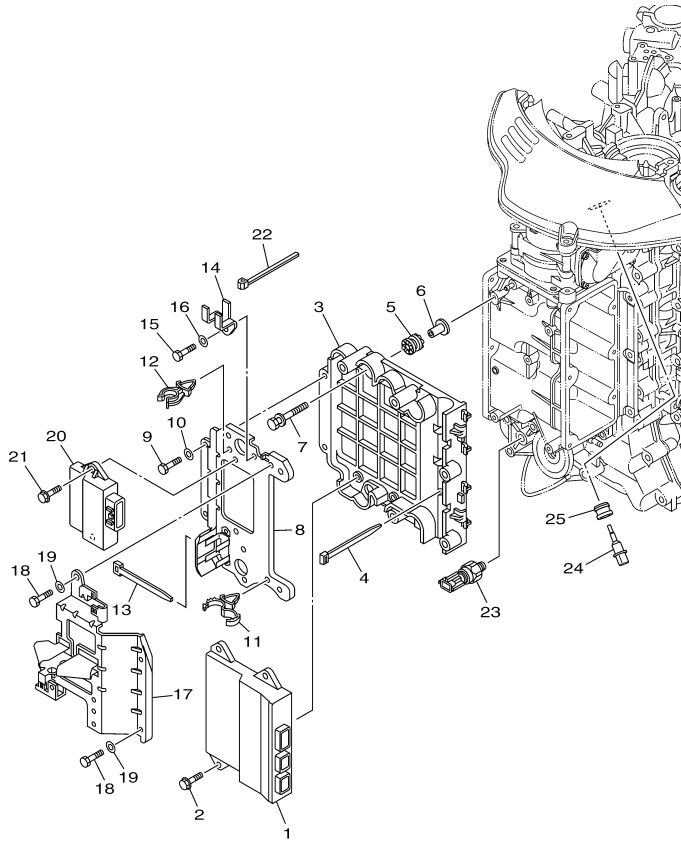
LF350TUR 0407 / GENERATOR

REF - NO	PART NUMBER	PART NAME	QUANTITY	REMARKS
1	6AW-W8145-00-00	ROTOR ASSY WITH BOLTS	1	
2	6AW-W9011-00-00	.BOLT SET (FOR ROTOR ASSY)	1	
3	6AW-81460-00-00	BASE ASSY	1	
4	6AW-85580-00-00	.COIL, PULSER	1	
5	6AW-81345-00-00	.SCREW, PAN HEAD	2	
6	99530-08012-00	PIN, DOWEL	2	
7	97095-06030-00	BOLT	4	
8	92995-06100-00	WASHER, SPRING	4	
9	92995-06600-00	WASHER	4	
10	90462-10042-00	CLAMP	2	
11	6AW-81337-00-00	COVER, FLYWHEEL	1	
12	663-82317-01-00	DAMPER, IGNITION COIL	4	
13	90480-12072-00	GROMMET	2	
14	90109-06MA1-00	BOLT	2	
15	67F-12138-40-00	MARK, CAUTION	1	
16	6AW-13437-40-00	MARK, CAUTION	1	
17	6AH-81994-40-00	LABEL, SAFETY	1	
18	6K1-83623-41-00	MARK 3	1	

Part Notes

LF350TUR 0407 / GENERATOR

PART NUMBER		NOTE TEXT
92995-06100-00		OEM: This part number is among the Top 100 Most Popular Marine Maintenance Parts as of February 2013.
90480-12072-00		OEM: GROMMET used on F115TLR and F/LF115TXR 0410 Production and Earlier

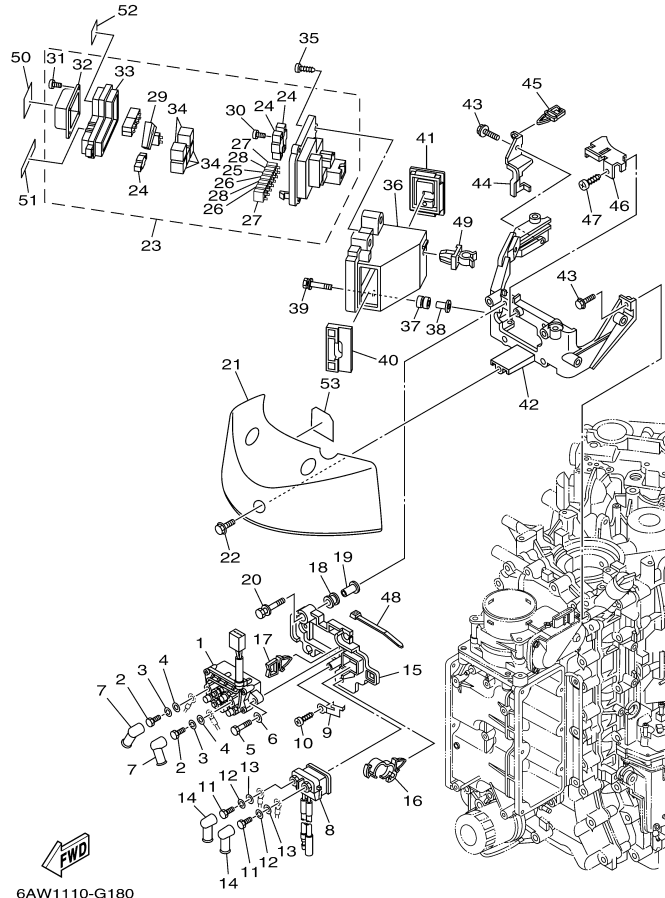


6AW1110-G170

Part List

LF350TUR 0407 / ELECTRICAL 1

REF - NO	PART NUMBER	PART NAME	QUANTITY	REMARKS
1	6AW-8591A-00-00	ENGINE CONTROL UNIT ASSY	1	
2	90119-06M23-00	BOLT, WITH WASHER	4	
3	6AW-85991-00-00	BRACKET, UNIT	1	
4	90465-14M66-00	CLAMP	4	
5	60V-85564-00-00	GROMMET	4	
6	90387-06176-00	COLLAR	4	
7	68F-85119-00-00	BOLT	4	
8	6AW-8591C-00-00	CASE, ECU	1	
9	97095-06012-00	BOLT	5	
10	92995-06600-00	WASHER	5	
11	90464-18246-00	CLAMP	1	
12	90464-16240-00	CLAMP	1	
13	90465-13M24-00	CLAMP	1	
14	6AW-82544-00-00	CLAMP	1	
15	97095-06012-00	BOLT	1	
16	92995-06600-00	WASHER	1	
17	6AW-82588-00-00	PLATE	1	
18	97095-06012-00	BOLT	4	
19	92995-06600-00	WASHER	4	
20	6AW-85740-00-00	CONTROL UNIT ASSY	1	
21	90119-06024-00	BOLT, WITH WASHER	2	
22	90465-14M66-00	CLAMP	1	
23	6AW-83651-00-00	SENDER, OIL PRESSURE	1	
24	63P-85886-00-00	SENSOR, AIR TEMPERATURE	1	
25	63P-14435-00-00	GROMMET	1	



6AW1110-G180



Part List

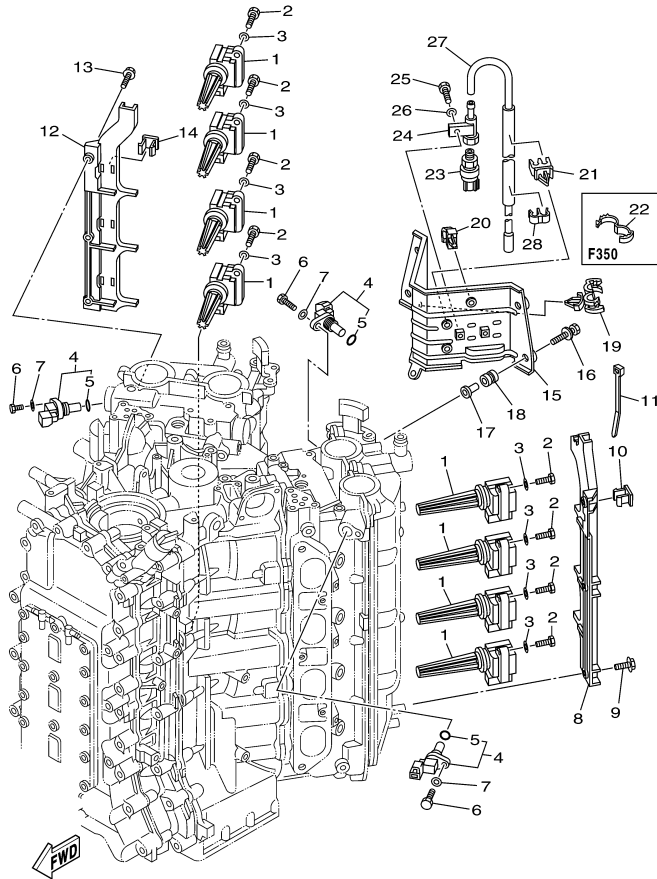
LF350TUR 0407 / ELECTRICAL 2

REF - NO	PART NUMBER	PART NAME	QUANTITY	REMARKS
1	6AW-81950-00-00	RELAY ASSY	1	
2	97095-06010-00	BOLT	2	
3	92995-06100-00	WASHER, SPRING	2	
4	92995-06600-00	WASHER	2	
5	97013-06020-00	BOLT	2	
6	92903-06600-00	WASHER, PLATE	2	
7	6G5-82119-10-00	COVER, LEAD WIRE	2	
8	6AW-8194A-00-00	RELAY	1	
9	68V-81953-00-00	STAY, RELAY	1	
10	97780-60620-00	SCREW, TAPPING	1	
11	97095-06010-00	BOLT	2	
12	92995-06100-00	WASHER, SPRING	2	
13	92995-06600-00	WASHER	2	
14	6G5-82119-00-00	COVER, LEAD WIRE	2	
15	6AW-81952-00-00	HOLDER, RELAY	1	
16	90464-12183-00	CLAMP	1	
17	90464-11121-00	CLAMP	1	
18	6A0-82317-00-00	DAMPER, IGNITION COIL	4	
19	90387-06119-00	COLLAR	4	
20	90119-06M59-00	BOLT, WITH WASHER	4	
21	6AW-81942-00-00	COVER	1	
22	95895-06016-00	BOLT, FLANGE	3	
23	6AW-82170-00-00	FUSE BOX ASSY	1	UR 6AW:1000001-1001013 6AX:1000001-1000439
23	6AW-82170-01-00	FUSE BOX ASSY	1	UR 6AW:1001014~ 6AX:1000440~
24	6P2-82151-00-00	..FUSE (60A)	3	UR 6AW:1001014~ 6AX:1000440~
24	68F-82151-00-00	..FUSE (80A)	3	UR 6AW:1000001-1001013 6AX:1000001-1000439
25	67F-82151-00-00	.FUSE (20A)	2	
26	67F-82151-10-00	.FUSE (30A)	3	
27	67F-82151-40-00	.FUSE (10A)	3	
28	67F-82151-50-00	.FUSE (15A)	3	
29	67F-2812A-00-00	.PULLER, FUSE	1	
30	68F-82846-00-00	..SCREW, PAN HEAD (M5)	4	
31	6P2-82113-00-00	.SCREW	4	
32	6P2-81639-00-00	.RELAY COVER	1	
33	6P2-85544-00-00	.CASE	1	
34	68F-8195A-00-00	.RELAY ASSY	5	
35	97780-50620-00	SCREW, TAPPING	4	
36	6AW-82171-00-00	STAY, FUSE BOX	1	
37	6A0-82317-00-00	DAMPER, IGNITION COIL	3	
38	90387-06119-00	COLLAR	3	
39	90119-06M59-00	BOLT, WITH WASHER	3	
40	6AW-82572-00-00	GROMMET 1	1	
41	6AW-82573-00-00	GROMMET 2	1	
42	6AW-81948-00-00	BRACKET	1	
43	95895-06020-00	BOLT, FLANGE	4	
44	6AW-81678-00-00	CLAMP 2	1	
45	90464-11121-00	CLAMP	1	
46	6AW-81443-00-00	CLAMP, LEAD 1	1	
47	97780-50514-00	SCREW, TAPPING	1	
48	90465-11M10-00	CLAMP	2	
49	90464-09008-00	CLAMP	1	
50	6AW-81919-10-00	GRAPHIC, REGULATOR	1	
51	6AW-81919-20-00	GRAPHIC, REGULATOR	1	
52	6AW-81919-30-00	GRAPHIC, REGULATOR (80A)	1	UR 6AW:1000001-1001013 6AX:1000001-1000439
52	6AW-81919-31-00	GRAPHIC, REGULATOR	1	UR 6AW:1001014~ 6AX:1000440~
53	6AW-81919-00-00	GRAPHIC, REGULATOR	1	

Part Notes

LF350TUR 0407 / ELECTRICAL 2

PART NUMBER	NOTE TEXT
92995-06100-00 	OEM: This part number is among the Top 100 Most Popular Marine Maintenance Parts as of February 2013.
92995-06100-00 	OEM: This part number is among the Top 100 Most Popular Marine Maintenance Parts as of February 2013.

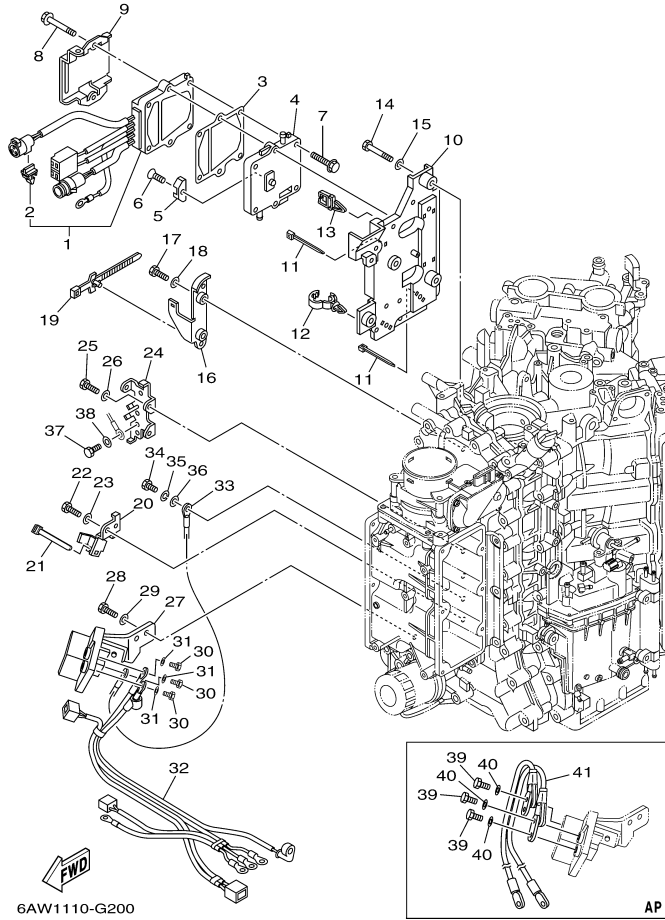


6AW1110-G190

Part List

LF350TUR 0407 / ELECTRICAL 3

REF - NO	PART NUMBER	PART NAME	QUANTITY	REMARKS
1	6AW-82310-00-00	IGNITION COIL ASSY	8	
2	97095-06025-00	BOLT	8	
3	92995-06600-00	WASHER	8	
4	6P2-85896-00-00	SENSOR, CAM POSITION	3	
5	6P2-85075-00-00	.O-RING	1	
6	97095-06020-00	BOLT	3	
7	92995-06600-00	WASHER	3	
8	6AW-8272F-00-00	PLATE, GUIDE 1	1	
9	95895-06014-00	BOLT, FLANGE	3	
10	6AW-82361-00-00	CLAMP, CORD	3	
11	90465-11M10-00	CLAMP	1	
12	6AW-8272F-10-00	PLATE, GUIDE 1	1	
13	95895-06014-00	BOLT, FLANGE	3	
14	6AW-82361-10-00	CLAMP, CORD	4	
15	6AW-8366G-00-00	BRACKET 3	1	
16	90119-06M35-00	BOLT, WITH WASHER	4	
17	69M-42758-00-00	COLLAR	4	
18	64J-85516-00-00	SPACER	4	
19	90464-18246-00	CLAMP	1	
20	90464-07259-00	CLAMP	1	
21	90464-07009-00	CLAMP	2	
22	90464-16001-00	CLAMP	1	
23	6Y5-8366B-01-00	SENSOR, WATER PRESSURE	1	
24	60V-8366D-00-00	.ADAPTOR, INPUT	1	
25	97095-06016-00	BOLT	1	
26	92995-06600-00	WASHER	1	
27	6AW-82353-00-00	HOSE	1	
28	90464-07M20-00	CLAMP	1	




Part List

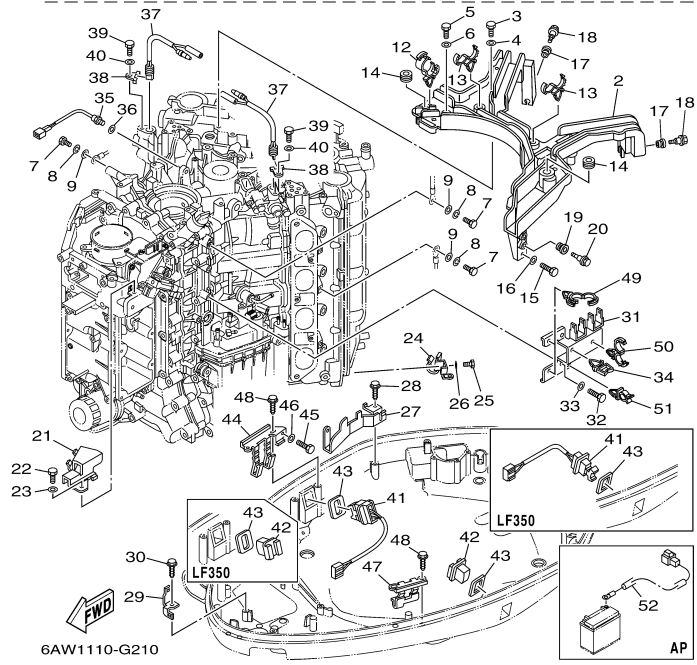
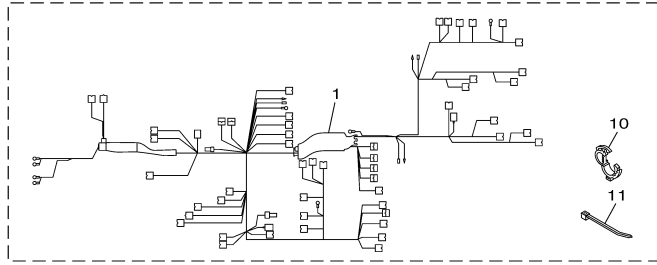
LF350TUR 0407 / ELECTRICAL 4

REF - NO	PART NUMBER	PART NAME	QUANTITY	REMARKS
1	6AW-81960-00-00	RECTIFIER & REGULATOR ASSY	1	
2	90464-12002-00	.CLAMP	1	
3	6AW-81975-00-00	PLATE, RECTIFIER FITTING	1	
4	6AW-81972-00-9S	COVER, RECTIFIER	1	
5	6E5-11325-00-00	ANODE	1	
6	98780-04015-00	SCREW, FLAT HEAD	1	
7	90119-06MA3-00	BOLT, WITH WASHER	4	
8	90119-06MA5-00	BOLT, WITH WASHER	2	
9	6AW-82581-00-00	STAY, CORD CLAMP	1	
10	6AW-8235A-00-00	CASE 1	1	
11	90465-14M66-00	CLAMP	5	
12	90464-13249-00	CLAMP	1	
13	90464-11121-00	CLAMP	1	
14	97095-06016-00	BOLT	4	
15	92995-06600-00	WASHER	4	
16	6AW-83614-00-00	BRACKET	1	
17	97095-06014-00	BOLT	2	
18	92995-06600-00	WASHER	2	
19	90464-44002-00	CLAMP	2	
20	6AW-81328-00-00	CLAMP	1	
21	90465-14M66-00	CLAMP	1	
22	97095-06016-00	BOLT	1	
23	92995-06600-00	WASHER	1	
24	6AW-81218-00-00	TERMINAL	1	
25	97095-06016-00	BOLT	2	
26	92995-06600-00	WASHER	2	
27	6AW-81925-00-00	TERMINAL	1	
28	97095-08020-00	BOLT	2	
29	92995-08600-00	WASHER	2	
30	90101-08022-00	.BOLT	3	
31	92990-08600-00	WASHER, PLATE	3	
32	6AW-8259M-00-00	WIRE HARNESS ASSY 2	1	
33	6AW-82117-00-00	WIRE, LEAD	1	
34	97095-06020-00	BOLT	1	
35	92995-06100-00	WASHER, SPRING	1	
36	92995-06600-00	WASHER	1	
37	97095-06010-00	BOLT	4	
38	92995-06600-00	WASHER	4	
39	97095-08016-00	BOLT	3	AP
40	92995-08600-00	WASHER	3	AP
41	6AW-82105-00-00	WIRE HARNESS	1	AP

Part Notes

LF350TUR 0407 / ELECTRICAL 4

PART NUMBER	NOTE TEXT
92995-06100-00 	OEM: This part number is among the Top 100 Most Popular Marine Maintenance Parts as of February 2013.







Part List

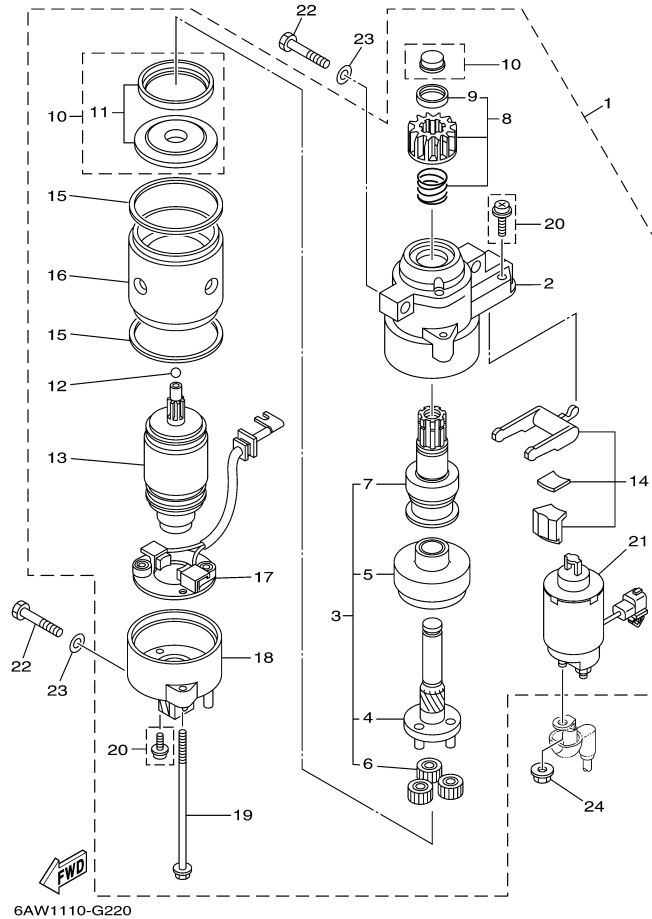
LF350TUR 0407 / ELECTRICAL 5

REF - NO	PART NUMBER	PART NAME	QUANTITY	REMARKS
1	6AW-82590-00-00	WIRE HARNESS ASSY	1	
2	6AW-82589-00-00	PROTECTOR, WIRE HARNESS	1	
3	97095-06035-00	BOLT	2	
4	92995-06600-00	WASHER	2	
5	97095-06025-00	BOLT	1	
6	92995-06600-00	WASHER	1	
7	97095-06016-00	BOLT	3	
8	92995-06100-00	WASHER, SPRING	3	
9	92995-06600-00	WASHER	3	
10	90464-30003-00	CLAMP	1	
11	90465-13M18-00	CLAMP	2	
12	90464-20181-00	CLAMP	1	
13	90464-18246-00	CLAMP	2	
14	90480-19368-00	GROMMET	2	
15	97095-06012-00	BOLT	1	
16	92995-06600-00	WASHER	1	
17	90480-12072-00	GROMMET	2	
18	90109-06MA1-00	BOLT	2	
19	90480-12072-00	GROMMET	2	
20	90109-06MA1-00	BOLT	2	
21	6AW-82388-00-00	PLATE	1	
22	97095-06014-00	BOLT	1	
23	92995-06600-00	WASHER	1	
24	6AW-81677-00-00	CLAMP 1	1	
25	97095-06014-00	BOLT	1	
26	92995-06600-00	WASHER	1	
27	6AW-8257G-00-00	CLAMP, CORD	1	
28	90109-06M86-00	BOLT	1	
29	6AW-42743-00-00	BRACKET	1	
30	90109-06M86-00	BOLT	1	
31	6AW-81845-00-00	PLATE	1	
32	97095-06014-00	BOLT	2	
33	92995-06600-00	WASHER	2	
34	90464-11121-00	CLAMP	1	
35	61A-85790-00-00	THERMOSENSOR ASSY	1	
36	92990-10600-00	WASHER, PLATE	1	
37	6AW-82560-00-00	THERMO SWITCH ASSY	2	
38	6E9-82588-00-00	PLATE	2	
39	97095-06016-00	BOLT	2	
40	92995-06600-00	WASHER	2	
41	6AW-82563-00-00	TRIM & TILT SWITCH ASSY	1	
42	69J-42723-00-8D	COVER, BOTTOM	1	
43	69J-82587-00-00	GASKET	2	
44	6AX-83614-00-00	BRACKET	1	
45	97095-06014-00	BOLT	1	
46	92995-06600-00	WASHER	1	
47	63P-83614-00-00	BRACKET	1	
48	90109-06M86-00	BOLT	4	
49	90464-20181-00	CLAMP	2	
50	90464-18246-00	CLAMP	1	
51	90464-09008-00	CLAMP	1	
52	69J-81949-01-00	WIRE, LEAD (ISOLATOR CABLE)	1	AP

Part Notes

LF350TUR 0407 / ELECTRICAL 5

PART NUMBER	NOTE TEXT
92995-06100-00 	OEM: This part number is among the Top 100 Most Popular Marine Maintenance Parts as of February 2013.
90480-12072-00 	OEM: GROMMET used on F115TLR and F/LF115TXR 0410 Production and Earlier
90480-12072-00 	OEM: GROMMET used on F115TLR and F/LF115TXR 0410 Production and Earlier
92990-10600-00 	OEM: This part number is among the Top 100 Most Popular Marine Maintenance Parts as of February 2013.

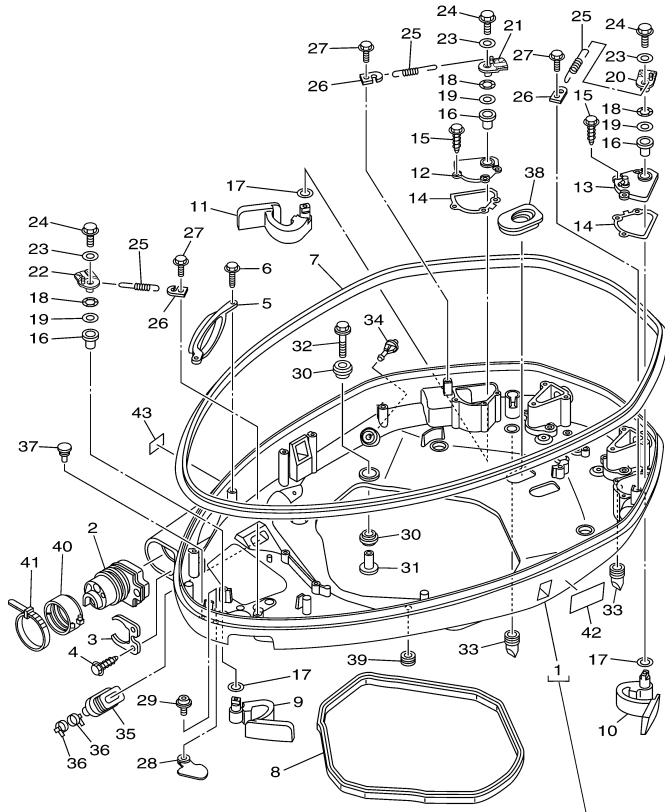


6AW1110-G220

Part List

LF350TUR 0407 / STARTING MOTOR

REF - NO	PART NUMBER	PART NAME	QUANTITY	REMARKS
1	6AW-81800-00-00	STARTING MOTOR ASSY	1	
2	6AW-81830-00-00	.FRONT BRACKET ASSY	1	
3	6AW-81807-00-00	.GEAR ASSY, STARTING MOTOR	1	
4	6AW-81836-00-00	..SHAFT, PINION	1	
5	6AW-81891-00-00	..GEAR, RING	1	
6	6AW-8183T-00-00	..GEAR, IDLER	3	
7	6AW-81832-00-00	..CLUTCH, OVER RUN	1	
8	6AW-81808-00-00	.PINION ASSY	1	
9	6AW-81857-00-00	..RETAINER	1	
10	6AW-81862-00-00	.CAP	1	
11	6AW-8183R-00-00	..PACKING SET	1	
12	6AW-81854-00-00	.BALL, STEEL	1	
13	6AW-81850-00-00	.ARMATURE ASSY	1	
14	6AW-81839-00-00	.LEVER ASSY	1	
15	6AW-81842-00-00	.PACKING	2	
16	6AW-81810-00-00	.STATOR ASSY	1	
17	6AW-81840-00-00	.BRUSH HOLDER ASSY	1	
18	6AW-81820-00-00	.REAR BRACKET ASSY	1	
19	6AW-81826-00-00	.BOLT	1	
20	6AW-81846-00-00	.SCREW	1	
21	6AW-81941-00-00	.STARTER RELAY ASSY	1	
22	97013-08045-00	BOLT	3	
23	92903-08600-00	WASHER, PLATE	3	
24	90179-08003-00	NUT	1	



BOTTOM COWLING ASSY
CYLINDER CRANKCASE 4, Ref. No. 23
FUEL 1, Ref. No. 27
ELECTRICAL 5, Ref. No. 28, 30, 48
BOTTOM COWLING 1, Ref. No. 4, 5, 15, 27
BOTTOM COWLING 2, Ref. No. 14, 17, 26, 40

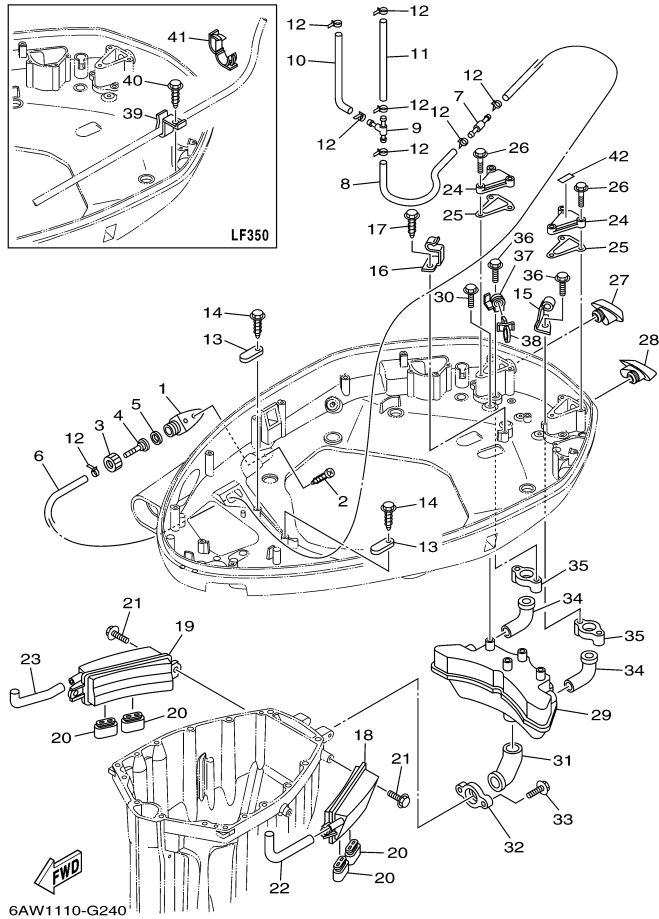


6AW1110-G230

Part List

LF350TUR 0407 / BOTTOM COWLING 1

REF - NO	PART NUMBER	PART NAME	QUANTITY	REMARKS
1	6AW-42710-00-8D	BOTTOM COWLING ASSY	1	
2	6AW-42725-00-00	GROMMET	1	
3	6AW-42761-00-00	STOPPER	1	
4	90109-06M86-00	BOLT	2	
5	6AW-42735-00-00	PROTECTOR	1	
6	90109-06M86-00	BOLT	2	
7	6AW-42615-00-00	SEAL	1	
8	63P-42716-00-00	RUBBER, SEAL 1	1	
9	6AW-42815-00-8D	LEVER, CLAMP	1	
10	6AW-42816-00-8D	LEVER, CLAMP	1	
11	6AW-42817-00-8D	LEVER, CLAMP	1	
12	6AW-42828-00-8D	PLATE, CLAMP	1	
13	6AW-42829-00-8D	PLATE, CLAMP 2	1	
14	6AW-42722-00-00	GASKET 2	2	
15	90109-06M81-00	BOLT	6	
16	90381-15002-00	BUSH, SOLID	3	
17	90202-15M37-00	WASHER, PLATE	3	
18	90206-15M18-00	WASHER, WAVE	3	
19	90201-156J2-00	WASHER, PLATE	3	
20	6AW-42818-00-00	LEVER, CLAMP	1	
21	6AW-42819-00-00	LEVER, CLAMP	1	
22	6AW-4281A-00-00	LEVER, CLAMP 6	1	
23	90201-06M30-00	WASHER, PLATE	3	
24	90105-06155-00	BOLT, FLANGE	3	
25	90506-22001-00	SPRING, TENSION	3	
26	66T-43144-00-00	HOOK, SPRING	3	
27	90109-06M86-00	BOLT	3	
28	6AW-42851-00-00	COVER, CLAMP	1	
29	90111-06094-00	BOLT,HEX. SOCKET BUTTON	1	
30	90480-22M81-00	GROMMET	12	
31	90387-08M37-00	COLLAR	6	
32	90119-08M22-00	BOLT, WITH WASHER	6	
33	61A-42717-00-00	RUBBER, SEAL 2	2	
34	6P2-44391-00-00	NIPPLE, HOSE	1	
35	6H1-42726-21-00	GROMMET	1	
36	90465-11M10-00	CLAMP	2	
37	6H4-42748-00-00	GROMMET	1	
38	6AW-42726-00-00	GROMMET	2	
39	90480-16007-00	GROMMET	1	
40	68F-42753-00-00	FASTNER	1	AP
41	90464-20258-00	CLAMP	1	AP
42	6AH-42794-40-00	LABEL, WARNING (GENERAL)	1	
43	6AH-81996-00-00	MARK	1	

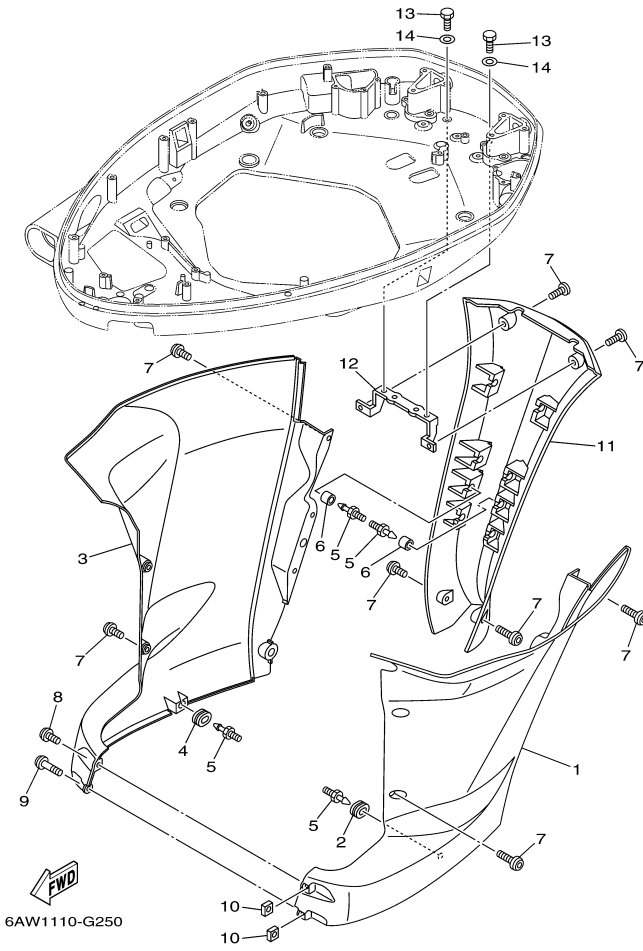


6AW1110-G240

Part List

LF350TUR 0407 / BOTTOM COWLING 2

REF - NO	PART NUMBER	PART NAME	QUANTITY	REMARKS
1	6AW-12572-00-00	ADAPTER	1	
2	97780-60520-00	SCREW, TAPPING	2	
3	6R3-12581-00-00	JOINT, HOSE 1	1	
4	6AW-12582-00-00	JOINT, HOSE 2	1	
5	6R3-12583-00-00	GASKET, HOSE JOINT	1	
6	90445-14015-00	HOSE (L1520)	1	
7	6AW-42785-00-00	PIPE	1	
8	90445-14013-00	HOSE (L480)	1	
9	6AW-42169-00-00	JOINT	1	
10	66V-24314-00-00	PIPE 4	1	
11	90445-116J1-00	HOSE (L185)	1	
12	90465-11M10-00	CLAMP	8	
13	6E5-82588-00-00	PLATE	2	
14	90109-06M81-00	BOLT	2	
15	90465-08M82-00	CLAMP	1	
16	6AW-42744-00-00	STAY	1	
17	90109-06M86-00	BOLT	1	
18	6AW-42733-00-00	BOX, DRAIN	1	
19	6AW-42734-00-00	BOX, DRAIN 2	1	
20	69J-42717-00-00	RUBBER, SEAL 2	4	
21	95895-06016-00	BOLT, FLANGE	4	
22	6AW-42786-00-00	HOSE, DRAIN 1	1	
23	6AW-42787-00-00	HOSE, DRAIN 2	1	
24	6AW-42723-00-8D	COVER, BOTTOM	2	
25	6AW-42721-00-00	GASKET 1	2	
26	90109-06M81-00	BOLT	6	
27	6AW-42769-00-00	SEAL, RUBBER	1	
28	6AW-42629-00-00	SEAL	1	
29	6AW-14750-00-00	SILENCER ASSY	1	
30	95875-06016-00	BOLT, FLANGE	4	
31	6AW-1475E-00-00	PIPE 2	1	
32	6AW-14763-00-00	SPACER	1	
33	95875-06025-00	BOLT, FLANGE	2	
34	6AW-1475F-00-00	PIPE 3	2	
35	6AW-14764-00-5B	SPACER	2	
36	95875-06016-00	BOLT, FLANGE	4	
37	6AW-8339X-00-00	CLAMP, CORD	1	
38	90464-12001-00	CLAMP	1	
39	6AX-8257G-00-00	CLAMP, CORD	1	
40	90109-06M86-00	BOLT	1	
41	90464-18001-00	CLAMP	2	
42	68V-82377-00-00	LABEL	1	




Part List

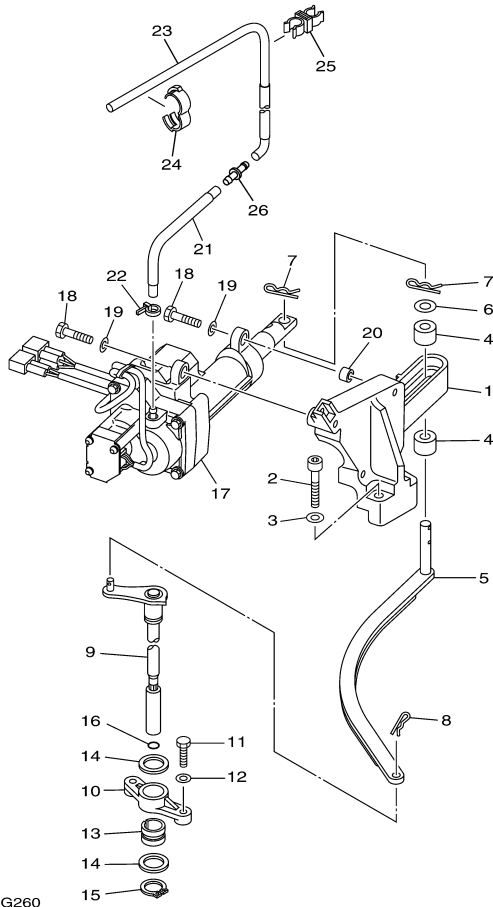
LF350TUR 0407 / BOTTOM COWLING 3

REF - NO	PART NUMBER	PART NAME	QUANTITY	REMARKS
1	6AW-42741-00-8D	APRON	1	
2	90480-14M17-00	GROMMET	1	
3	6AW-42771-00-8D	APRON	1	
4	90480-14M17-00	GROMMET	1	
5	69J-42774-00-00	STAY, APRON 1	4	
6	90386-07001-00	BUSH	2	
7	90111-06025-00	BOLT,HEX. SOCKET BUTTON	14	
8	90111-06025-00	BOLT,HEX. SOCKET BUTTON	1	
9	90111-06026-00	BOLT,HEX. SOCKET BUTTON	1	
10	90173-06001-00	NUT, SQUARE	2	
11	6AW-45151-00-8D	COVER, UPPER CASING	1	
12	6AW-42775-00-00	STAY, APRON 2	1	
13	97095-06014-00	BOLT	2	
14	92995-06600-00	WASHER	2	

Part Notes

LF350TUR 0407 / BOTTOM COWLING 3

PART NUMBER		NOTE TEXT
90173-06001-00		OEM: This part number is among the Top 100 Most Popular Marine Maintenance Parts as of February 2013.



6AW1110-G260


Part List

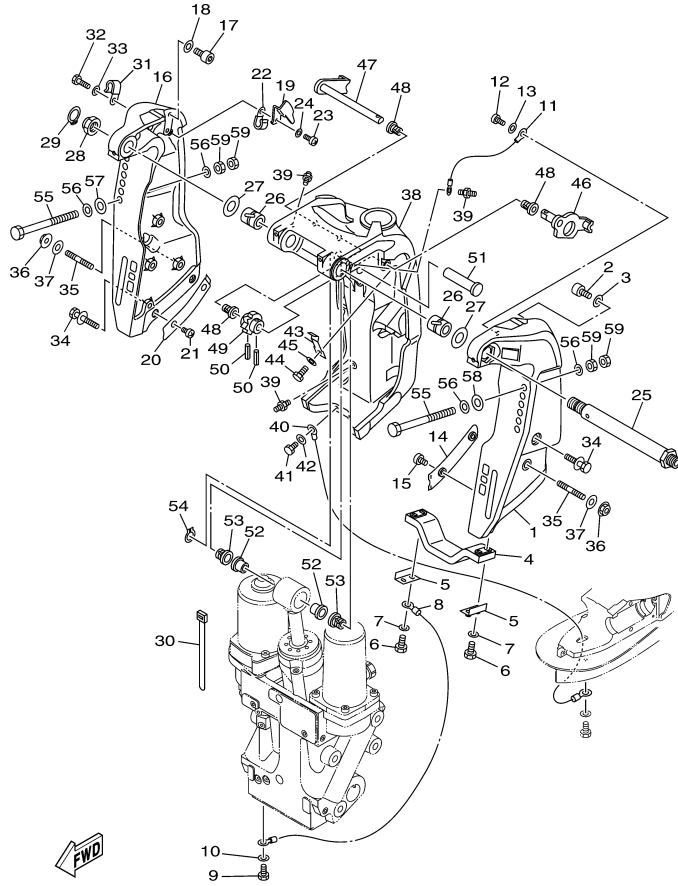
LF350TUR 0407 / CONTROL

REF - NO	PART NUMBER	PART NAME	QUANTITY	REMARKS
1	6AW-44176-00-94	BRACKET	1	
2	90110-08085-00	BOLT, HEXAGON SOCKET HEAD	2	
3	92990-08600-00	WASHER, PLATE	2	
4	6AW-44122-00-00	BUSHING, SHIFT ROD LEVER	2	
5	6AW-44121-00-00	LEVER, SHIFT ROD	1	
6	90201-11008-00	WASHER, PLATE	1	
7	90468-180A0-00	CLIP	2	
8	90468-18008-00	CLIP	1	
9	6AW-44120-10-00	HANDLE GEAR SHIFT ASSY	1	U(30.1")
9	6AW-44120-00-00	HANDLE GEAR SHIFT ASSY	1	X(25.1")
10	6AW-44118-00-5B	BRACKET	1	
11	97095-06025-00	BOLT	2	
12	92995-06600-00	WASHER	2	
13	90380-19001-00	BUSH, SOLID	1	
14	90202-19001-00	WASHER, PLATE	2	
15	93410-19088-00	CIRCLIP	1	
16	93210-09165-00	O-RING	1	
17	6AW-4820A-00-00	ACTUATOR UNIT	1	
18	97080-08030-00	BOLT	4	
19	92900-08600-00	WASHER	4	
20	90387-08M31-00	COLLAR	2	
21	6AW-24314-10-00	PIPE 4	1	
22	90465-11M10-00	CLAMP	1	
23	6AW-24314-00-00	PIPE 4	1	
24	90464-16001-00	CLAMP	1	
25	90464-10M59-00	CLAMP	1	
26	6G8-24376-00-00	PIPE, JOINT 1	1	

Part Notes

LF350TUR 0407 / CONTROL

PART NUMBER	NOTE TEXT
90468-18008-00 	OEM: This part number is among the Top 100 Most Popular Marine Maintenance Parts as of February 2013.



6AW1110-G270

Part List

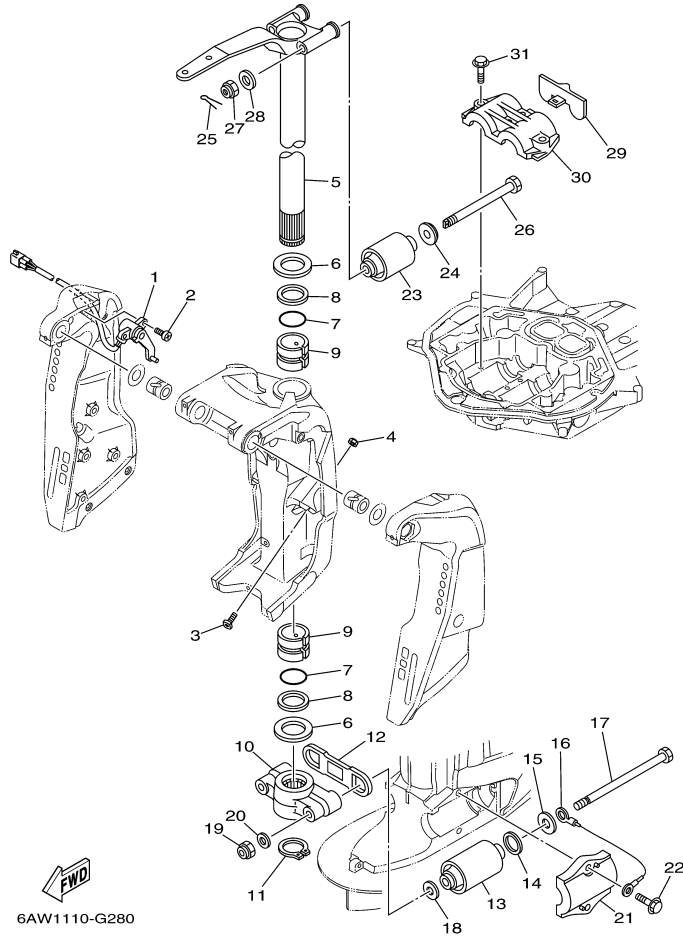
LF350TUR 0407 / BRACKET 1

REF - NO	PART NUMBER	PART NAME	QUANTITY	REMARKS
1	6AW-43111-00-8D	BRACKET, CLAMP 1	1	
2	90110-10092-00	BOLT, HEXAGON SOCKET HEAD	1	
3	90201-10049-00	WASHER, PLATE	1	
4	6G5-45251-02-00	ANODE	1	
5	6G5-44526-00-00	PLATE	2	
6	97095-06030-00	BOLT	4	
7	92995-06600-00	WASHER	4	
8	6H1-82148-00-00	WIRE, LEAD 4	1	
9	97095-06010-00	BOLT	1	
10	92995-06600-00	WASHER	1	
11	6H1-82148-00-00	WIRE, LEAD 4	1	
12	97885-06012-00	SCREW, PAN HEAD	1	
13	92995-06600-00	WASHER	1	
14	61A-43132-00-00	WASHER, FRICTION	1	
15	97885-06010-00	SCREW, PAN HEAD	2	
16	6AW-43112-00-8D	BRACKET, CLAMP 2	1	
17	90110-10092-00	BOLT, HEXAGON SOCKET HEAD	1	
18	90201-10049-00	WASHER, PLATE	1	
19	6AW-43113-00-00	PLATE, CLAMP BRACKET	1	
20	61A-43133-00-00	WASHER,FRICTION	1	
21	97885-06010-00	SCREW, PAN HEAD	2	
22	90465-08M83-00	CLAMP	1	
23	97885-06012-00	SCREW, PAN HEAD	1	
24	92995-06600-00	WASHER	1	
25	6R3-43131-10-00	BOLT, CLAMP BRACKET	1	
26	90386-25003-00	BUSH	2	
27	90201-26014-00	WASHER, PLATE	2	
28	90185-22007-00	NUT, SELF-LOCKING	1	
29	93410-21089-00	CIRCLIP	1	
30	90465-11M10-00	CLAMP	3	
31	90465-08M83-00	CLAMP	1	
32	97095-06014-00	BOLT	1	
33	92995-06600-00	WASHER	1	
34	90119-10039-00	BOLT, WITH WASHER	6	
35	90116-10047-00	BOLT, STUD	2	
36	95780-10300-00	NUT, FLANGE	2	
37	90201-10048-00	WASHER, PLATE	2	
38	6AW-43311-00-8D	BRACKET, SWIVEL 1	1	
39	93700-06M03-00	NIPPLE, GREASE	3	
40	6E5-82147-00-00	WIRE, LEAD 5	1	
41	97095-06010-00	BOLT	1	
42	92995-06600-00	WASHER	1	
43	6AW-44116-00-00	SPRING	1	
44	97095-06010-00	BOLT	1	
45	92995-06600-00	WASHER	1	
46	6AW-43181-00-00	LEVER, TILT STOP 1	1	
47	6AW-43185-00-00	LEVER, TILT STOP 2	1	
48	90386-10M16-00	BUSH	3	
49	6AW-43148-00-00	COLLAR, DISTANCE	1	
50	91690-30020-00	PIN, SPRING	2	
51	6AW-43126-00-00	PIN, UPPER SHOCK MOUNT	1	
52	90386-18M63-00	BUSH	2	
53	90386-18M14-00	BUSH	2	
54	93410-18M02-00	CIRCLIP	1	
55	90101-12036-00	BOLT (170MM)	2	AP
55	90101-12031-00	BOLT (150MM)	6	
56	90201-12054-00	WASHER, PLATE	12	
57	90201-12M05-00	WASHER, PLATE	2	
58	90201-13M19-00	WASHER, PLATE	4	
59	95380-12600-00	NUT	12	

Part Notes

LF350TUR 0407 / BRACKET 1

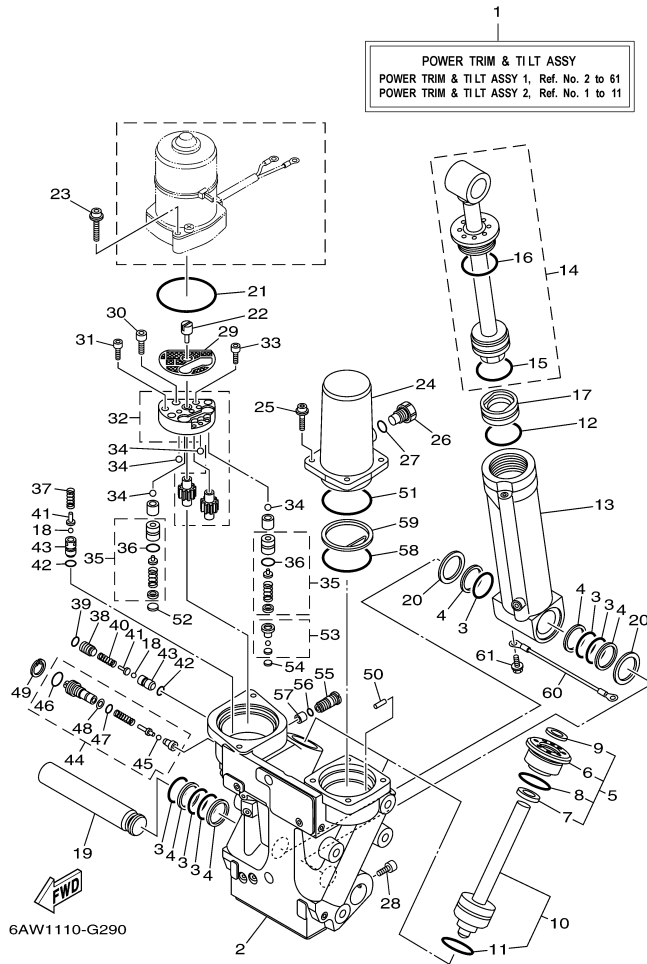
PART NUMBER		NOTE TEXT
6G5-45251-02-00		OEM: This part number is among the Top 100 Most Popular Marine Maintenance Parts as of February 2013.
93700-06M03-00		OEM: This part number is among the Top 100 Most Popular Marine Maintenance Parts as of February 2013.



Part List

LF350TUR 0407 / BRACKET 2

REF - NO	PART NUMBER	PART NAME	QUANTITY	REMARKS
1	6AW-83672-00-00	TRIM SENDER	1	
2	97885-06016-00	SCREW, PAN HEAD	2	
3	6AW-43376-00-00	BOLT, THRUST RECEIVER	2	
4	95780-10300-00	NUT, FLANGE	2	
5	6AW-42510-00-8D	STEERING BRACKET ASSY	1	
6	90201-46008-00	WASHER, PLATE	2	
7	93210-43001-00	O-RING	2	
8	90202-45001-00	WASHER, PLATE	2	
9	90386-45002-00	BUSH	2	
10	6AW-44551-00-8D	HOUSING, LOWER MOUNT RUBBER 1	1	
11	93410-44087-00	CIRCLIP	1	
12	6AW-44575-00-00	DAMPER, LOWER MOUNT RUBBER	1	
13	6AW-44555-00-94	MOUNT DAMPER, LOWER SIDE	2	
14	90202-32M19-00	WASHER, PLATE	2	
15	90201-16016-00	WASHER, PLATE	2	
16	6AW-82149-00-00	WIRE, LEAD 3	1	
17	90101-14004-00	BOLT	2	
18	90201-15M58-00	WASHER, PLATE	2	
19	90185-14M00-00	NUT, SELF-LOCKING	2	
20	92995-14600-00	WASHER	2	
21	6AW-44552-00-5B	HOUSING, LOWER MOUNT RUBBER	2	
22	90119-10024-00	BOLT, WITH WASHER	4	
23	6AW-44514-00-94	MOUNT DAMPER, UPPER SIDE	2	
24	90209-15008-00	WASHER	2	
25	91490-20015-00	PIN. COTTER	2	
26	90102-14001-00	BOLT, WITH HOLE	2	
27	90185-14M00-00	NUT, SELF-LOCKING	2	
28	90201-14026-00	WASHER, PLATE	2	
29	6AW-44533-00-00	DAMPER, UPPER MOUNT RUBBER	1	
30	6AW-44511-00-5B	COVER, UPPER MOUNT	1	
31	90119-10024-00	BOLT, WITH WASHER	4	



Part List

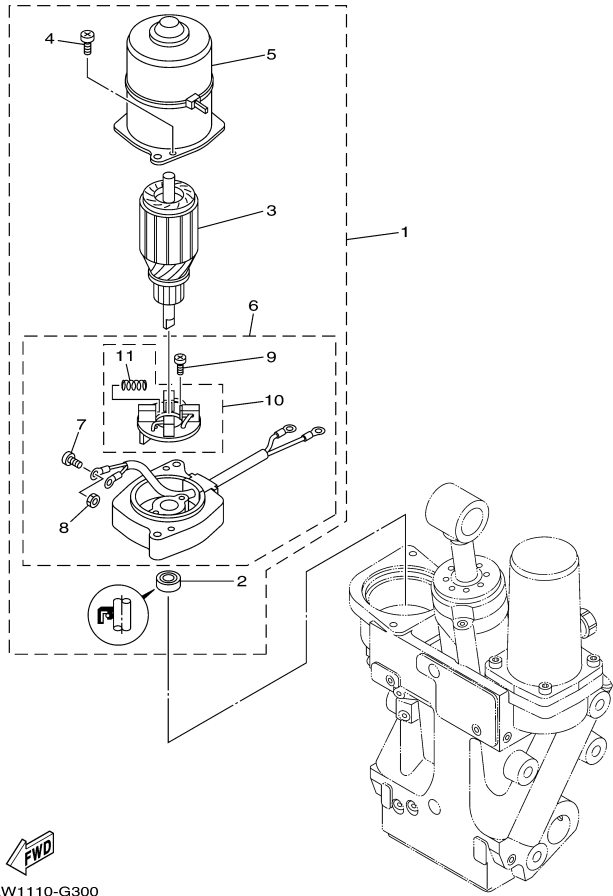
LF350TUR 0407 / POWER TRIM TILT ASSY 1

REF - NO	PART NUMBER	PART NAME	QUANTITY	REMARKS
1	6AW-43800-00-00	POWER TRIM & TILT ASSY	1	
2	6AW-43825-00-00	HOUSING, TRIM & TILT	1	
3	6AW-4389H-00-00	O-RING	6	
4	6AW-43871-00-00	RING, BACK UP	5	
5	6AW-4380R-00-00	CYLINDER END SUB ASSY	2	
6	6AW-43821-00-00	.SCREW, TRIM CYLINDER END	1	
7	6AW-4384J-00-00	.SEAL, TRIM DOWN	1	
8	6E5-43862-00-00	.O-RING	1	
9	6AW-43822-00-00	.SEAL, TRIM DUST	1	
10	6AW-43820-00-00	TRIM PISTON SUB ASSY	2	
11	6G5-43864-00-00	.O-RING	1	
12	6E5-43862-00-00	O-RING	1	
13	6AW-43813-00-00	CYLINDER, TILT	1	
14	6AW-43810-00-00	TILT PISTON SUB ASSY	1	
15	6E5-43862-00-00	.O-RING	1	
16	64E-43866-00-00	.O-RING	1	
17	6AW-43814-00-00	PISTON, FREE	1	
18	64E-43858-00-00	.BALL	2	
19	6AW-4381A-00-00	SHAFT	1	
20	6AW-4387G-00-00	WASHER	2	
21	64E-43868-00-00	O-RING	1	
22	64E-43831-00-00	CONNECTOR, SHAFT	1	
23	6AW-43879-00-00	SCREW, WITH WASHER	2	
24	6AW-43828-00-00	BODY, RESERVOIR	1	
25	6AW-43887-00-00	BOLT	4	
26	6AW-43829-00-00	PLUG, RESERVOIR	1	
27	6AW-43897-00-00	O-RING	1	
28	6AW-4388E-00-00	BOLT ,SCREW	1	
29	64E-43817-10-00	FILTER 2	1	
30	6AW-43878-00-00	BOLT, SOCKET	4	
31	6AW-43888-00-00	BOLT, SOCKET	3	
32	6AW-43830-00-00	GEAR PUMP ASSY	1	
33	6AW-43886-00-00	BOLT	1	
34	6AW-43858-00-00	.BALL	4	
35	6AW-43802-00-00	VALVE SUB ASSY	2	
36	6E5-43896-00-00	.O-RING	1	
37	6AW-43856-00-00	SPRING, DOWN RELIEF	1	
38	6AW-4388J-00-00	PLUG 2	1	
39	6AW-43869-00-00	O-RING	1	
40	6AW-4384H-00-00	SPRING	1	
41	6AW-43844-00-00	PIN, VALVE SUPPORT	2	
42	6G5-43863-00-00	.O-RING	2	
43	6AW-4382G-00-00	VALVE SEAT	2	
44	6AW-43860-00-00	MANUAL VALVE SUB-ASSY	1	
45	64E-43858-00-00	.BALL	1	
46	72X-85075-L0-00	.O-RING	1	
47	64E-4387A-00-00	.O-RING	1	
48	64E-43873-00-00	.RING, BACK UP	1	
49	6AW-43875-00-00	RING, SNAP	1	
50	6AW-4381G-00-00	PIN 1	1	
51	6AW-43861-00-00	O-RING	1	
52	6AW-43817-00-00	FILTER 2	1	
53	6AW-43809-00-00	SEAT VALVE COMP. 2	1	
54	64E-43816-00-00	.FILTER 1	1	
55	6AX-4388J-00-00	PLUG 2	1	
56	64E-43865-00-00	.O-RING	1	
57	6AW-4388H-00-00	PLUG	1	
58	6AW-4389J-00-00	O-RING	1	
59	6AW-43899-00-00	PLATE STOPPER	1	
60	6H1-82148-00-00	WIRE, LEAD 4	1	
61	97595-06510-00	BOLT, WITH WASHER	1	

Part Notes

LF350TUR 0407 / POWER TRIM TILT ASSY 1

PART NUMBER		NOTE TEXT
6G5-43864-00-00		OEM: This part number is among the Top 100 Most Popular Marine Maintenance Parts as of February 2013.

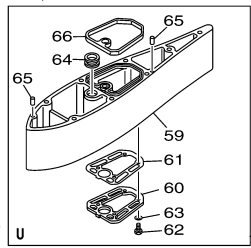
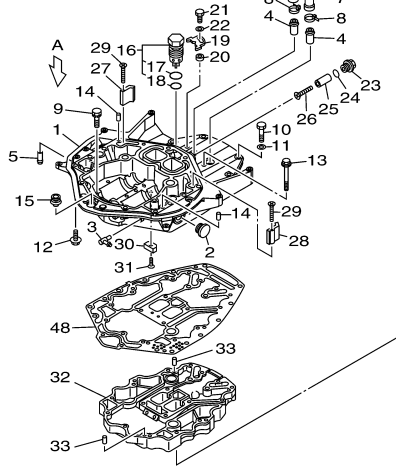
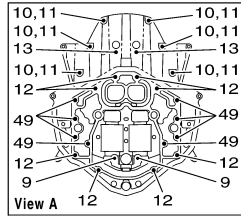


6AW1110-G300

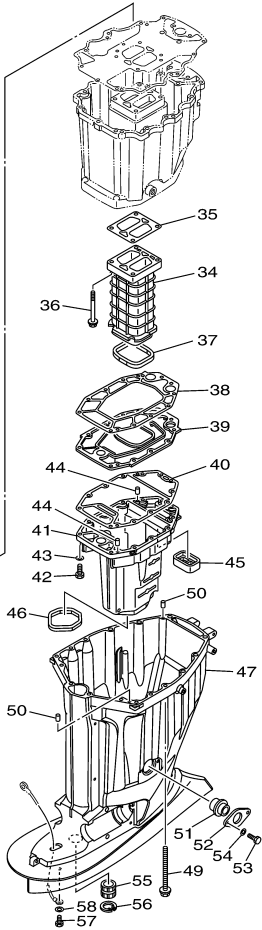
Part List

LF350TUR 0407 / POWER TRIM TILT ASSY 2

REF - NO	PART NUMBER	PART NAME	QUANTITY	REMARKS
1	6AW-43880-00-00	MOTOR ASSY	1	
2	6AW-43882-00-00	.OIL SEAL	1	
3	6AW-43805-00-00	.ARMATURE ASSY	1	
4	6AW-43843-00-00	.SCREW	2	
5	6AW-43804-00-00	.STATOR ASSY	1	
6	6AW-43881-10-00	.FRAME, END	1	
7	6AX-43887-00-00	..BOLT	2	
8	6AW-43138-00-00	..NUT	2	
9	6AW-43842-00-00	..SCREW	2	
10	6AW-4380J-00-00	..HOLDER, BRUSH	1	
11	6AW-4386K-00-00	...SPRING, BRUSH	4	



6AW1110-G310



Part List


LF350TUR 0407 / UPPER CASING

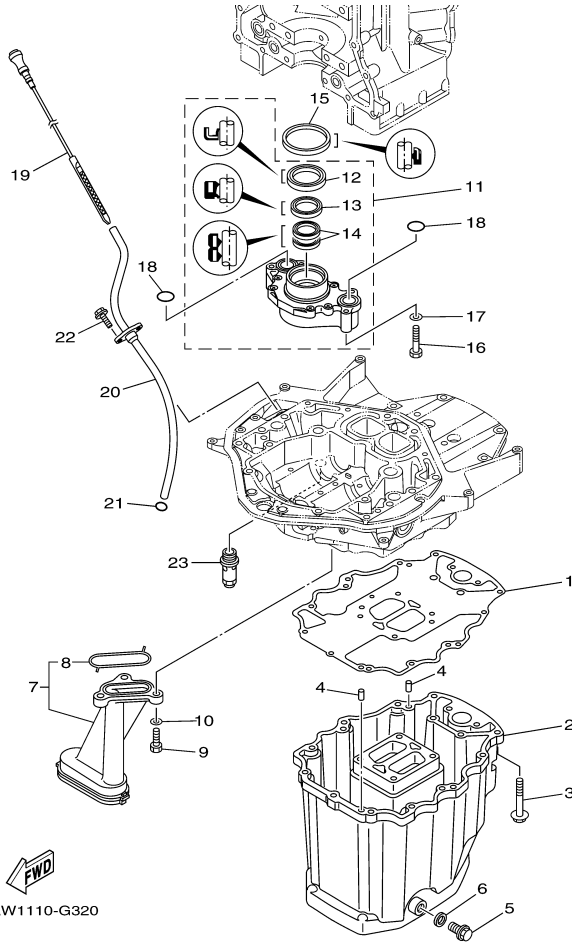
REF - NO	PART NUMBER	PART NAME	QUANTITY	REMARKS
1	6AW-41137-00-9S	GUIDE, EXHAUST	1	
2	90340-26001-00	PLUG, STRAIGHT SCREW	2	
3	6H1-11372-00-00	.NIPPLE, HOSE	1	
4	6AW-1475G-00-00	PIPE 4	2	
5	6AW-1475J-00-00	PIPE	2	
6	6AW-1244H-00-00	HOSE 5	1	
7	6AW-1243F-00-00	HOSE,3	1	
8	90465-11M59-00	CLAMP	4	
9	90119-08M79-00	BOLT, WITH WASHER	2	
10	97075-10045-00	BOLT	6	
11	92995-10600-00	WASHER	6	
12	90119-10040-00	BOLT, WITH WASHER	8	
13	97575-10585-00	BOLT, WITH WASHER	2	
14	93608-16M16-00	PIN, DOWEL	2	
15	6AW-42724-00-00	GROMMET	1	
16	6AW-11371-00-00	COVER	1	
17	93210-33MG4-00	.O-RING	1	
18	93210-28543-00	.O-RING	1	
19	69J-12233-00-00	PLATE, GUIDE STOPPER 1	1	
20	90387-06037-00	COLLAR	1	
21	97095-06020-00	BOLT	1	
22	92995-06600-00	WASHER	1	
23	6AW-11197-00-00	PLUG, BLIND	1	
24	93210-19758-00	O-RING	1	
25	6AW-1132S-00-00	ANODE 7	1	
26	98780-05550-00	SCREW, FLAT HEAD	1	
27	6AW-1132T-00-00	ANODE 8	1	
28	6AW-1132U-00-00	ANODE 9	1	
29	98780-05550-00	SCREW, FLAT HEAD	2	
30	63P-11325-11-00	.ANODE	1	
31	90151-06M02-00	SCREW, COUNTERSUNK	1	
32	6AW-41131-00-5B	MANIFOLD, EXT. 1	1	
33	93608-16M16-00	PIN, DOWEL	2	
34	6AW-41132-00-9S	MANIFOLD, EXHAUST	1	
35	6AW-41134-00-00	.GASKET, EXHAUST MANIFOLD	1	
36	90119-08117-00	BOLT, WITH WASHER	4	
37	6AW-41138-00-00	.SEAL, EXT. 1	1	
38	6AW-41135-00-00	.GASKET, EXHAUST MANIFOLD	1	
39	6AW-45181-00-9S	PLATE	1	
40	6AW-41136-00-00	.GASKET, EXHAUST MANIFOLD 4	1	
41	6AW-14711-00-9S	MUFFLER 1	1	
42	97075-08035-00	BOLT	12	
43	92995-08600-00	WASHER	12	
44	93606-19M23-00	PIN, DOWEL	2	
45	6AW-45127-00-00	.SEAL	1	
46	69J-45123-00-00	.GASKET, MUFFLER	1	
47	6AW-45111-00-8D	CASING, UPPER	1	
48	6AW-45113-00-00	.GASKET, UPPER CASING	1	
49	90119-10007-00	BOLT, WITH WASHER	8	
50	93608-16M16-00	PIN, DOWEL	2	
51	69J-15316-00-00	DAMPER 1	1	
52	69J-45152-00-8D	COVER, UPPER CASING 2	1	
53	97095-06014-00	BOLT	2	
54	92995-06600-00	WASHER	2	
55	6AW-45318-00-00	BUSHING, DRIVE SHAFT	1	
56	93420-38091-00	CIRCLIP	1	
57	97095-06010-00	BOLT	1	
58	92995-06600-00	WASHER	1	
59	6AW-45211-00-8D	EXTENSION	1	U(30.1")
60	6AW-45213-00-9S	COVER, EXTENSION	1	U(30.1")
61	6AW-4581L-00-00	GASKET, PLATE	1	U(30.1")
62	97075-06020-00	BOLT	4	U(30.1")
63	92995-06600-00	WASHER	4	U(30.1")

64	6AW-44366-00-00	DAMPER, WATER SEAL 2	1	U(30.1")
65	93608-12M05-00	PIN, DOWEL	2	U(30.1")
66	6AW-45159-00-00	DAMPER	1	U(30.1")

Part Notes

LF350TUR 0407 / UPPER CASING

PART NUMBER	NOTE TEXT
69J-45123-00-00	 OEM: If you are replacing damaged exhaust components on a 3.1L V6 Fourstroke, two kits have been developed to make choosing and ordering the correct parts easier. Ordering either MAR-EXHKT-03-00 (EXH KIT F200-225 for 2002-2003 models) or MAR-EXHKT-04-00 (EXH KIT F200-250 2004 models and up) will get you everything needed to rebuild the entire exhaust system.



6AW1110-G320


Part List

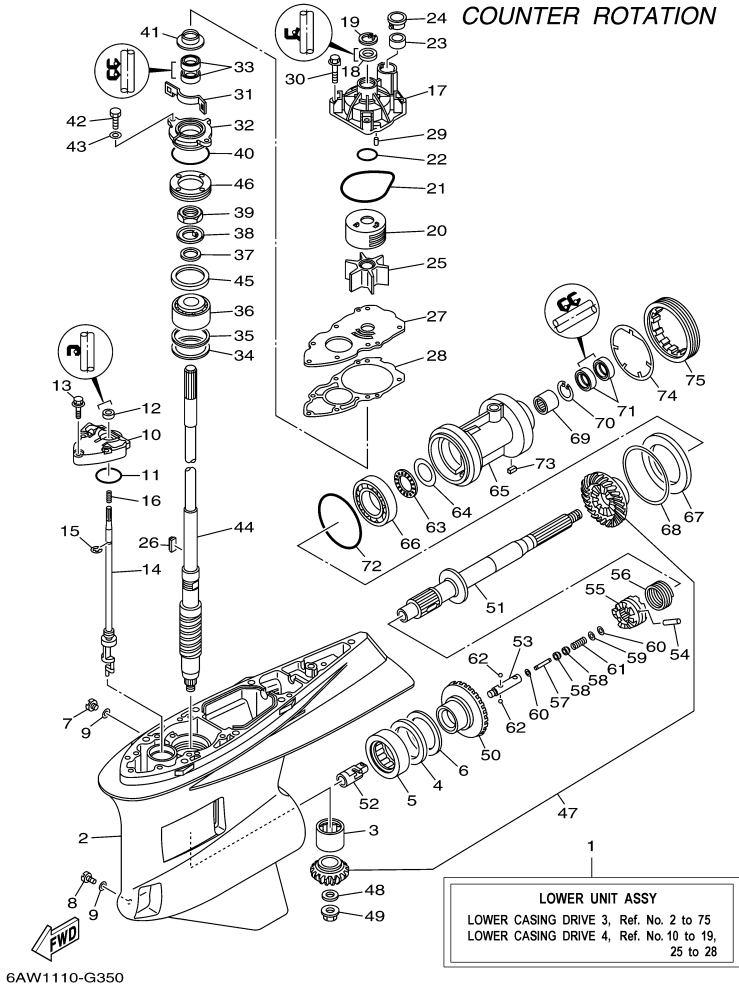
LF350TUR 0407 / OIL PAN

REF - NO	PART NUMBER	PART NAME	QUANTITY	REMARKS
1	6AW-15312-00-00	.GASKET, OIL PAN	1	
2	6AW-15311-00-5B	OIL PAN	1	
3	97575-08570-00	BOLT, WITH WASHER	13	
4	93608-16M16-00	PIN, DOWEL	2	
5	90340-14M06-00	PLUG, STRAIGHT SCREW	1	
6	90430-14M09-00	.GASKET	1	
7	6AW-13411-00-00	STRAINER, OIL	1	
8	6AW-13415-00-00	.SEAL, OIL STRAINER	1	
9	97027-06025-00	BOLT, HEXAGON	3	
10	92907-06600-00	WASHER, PLATE	3	
11	6AW-13300-00-00	OIL PUMP ASSY	1	
12	69J-13338-00-00	.OIL SEAL	1	
13	6AW-13119-00-00	.OIL SEAL	1	
14	6AW-13631-00-00	.OIL SEAL	2	
15	69J-11355-00-00	.SEAL, CYLINDER 1	1	
16	97075-06050-00	BOLT	4	
17	92995-06600-00	WASHER	4	
18	93210-26658-00	.O-RING	2	
19	6AW-15362-00-00	PLUG, OIL LEVEL	1	
20	6AW-15377-00-00	GUIDE, INLET	1	
21	93210-19M13-00	.O-RING	1	
22	95875-06016-00	BOLT, FLANGE	2	
23	6AW-13490-00-00	RELIEF VALVE ASSY	1	

Part Notes

LF350TUR 0407 / OIL PAN

PART NUMBER	NOTE TEXT
90430-14M09-00 	OEM: This part number is among the Top 100 Most Popular Marine Maintenance Parts as of February 2013.



Part List


LF350TUR 0407 / LOWER CASING DRIVE 3

REF - NO	PART NUMBER	PART NAME	QUANTITY	REMARKS
1	6AX-45300-30-8D	LOWER UNIT ASSY	1	U(30.1"),LH
1	6AX-45300-20-8D	LOWER UNIT ASSY	1	X(25.1"),LH
2	6AW-45311-00-8D	CASING, LOWER	1	
3	93311-93590-00	BEARING	1	
4	93340-67011-00	BEARING	1	
5	93390-00031-00	BEARING	1	
6	6AW-45567-00-00	SHIM (T:2.00MM)	1	UR
6	6AW-45567-10-00	SHIM (T:2.03MM)	1	UR
6	6AW-45567-50-00	SHIM (T:2.15MM)	1	UR
6	6AW-45567-30-00	SHIM (T:2.09MM)	1	UR
6	6AW-45567-40-00	SHIM (T:2.12MM)	1	UR
6	6AW-45567-20-00	SHIM (T:2.06MM)	1	UR
7	90340-08002-00	PLUG, STRAIGHT SCREW	1	
8	688-45341-10-00	PLUG, DRAIN	1	
9	90430-08020-00	.GASKET	2	
10	6AW-45321-00-00	PLATE	1	
11	93210-48214-00	.O-RING	1	
12	93101-12M70-00	.OIL SEAL	1	
13	90119-08M26-00	BOLT, WITH WASHER	3	
14	6AX-44150-00-00	SHIFT CAM ASSY	1	
15	99002-10600-00	CLIP	1	
16	90501-127J4-00	SPRING, COMPRESSION	1	
17	6AW-44311-00-00	HOUSING, WATER PUMP	1	
18	93109-24001-00	.OIL SEAL	1	
19	93420-35085-00	CIRCLIP	1	
20	6AW-44322-00-00	.INSERT, CARTRIDGE	1	
21	93210-94003-00	.O-RING	1	
22	93210-37160-00	.O-RING	1	
23	6AW-44365-00-00	.DAMPER, WATER SEAL 1	1	
24	6AW-44312-00-00	COVER, WATER PUMP HOUSING	1	
25	6AW-44352-00-00	.IMPELLER	1	
26	6AW-44336-00-00	.KEY	1	
27	6AW-44323-00-00	.OUTER PLATE, CARTRIDGE	1	
28	6AW-44315-00-00	.GASKET, WATER PUMP	1	
29	93606-12019-00	PIN, DOWEL	2	
30	90119-08M14-00	.BOLT, WITH WASHER	4	
31	6AW-45723-00-00	PLATE, SEAL	1	
32	6AW-45335-00-94	HOUSING, OIL SEAL	1	
33	93101-28004-00	.OIL SEAL	2	
34	90201-68008-00	WASHER, PLATE	1	
35	6AW-45587-00-00	SHIM (T:0.10MM)	1	UR
35	6AW-45587-10-00	SHIM (T:0.12MM)	1	UR
35	6AW-45587-20-00	SHIM (T:0.15MM)	1	UR
35	6AW-45587-60-00	SHIM (T:0.50MM)	1	UR
35	6AW-45587-40-00	SHIM (T:0.30MM)	1	UR
35	6AW-45587-50-00	SHIM (T:0.40MM)	1	UR
35	6AW-45587-30-00	SHIM (T:0.18MM)	1	UR
36	93399-99962-00	BEARING	1	
37	90201-301U7-00	WASHER, PLATE	1	
38	90214-30003-00	WASHER, CLAW	1	
39	90170-30M18-00	NUT	1	
40	93210-69MG6-00	.O-RING	1	
41	6AW-45344-00-00	COVER, OIL SEAL	1	
42	97095-08020-00	BOLT	2	
43	92995-08600-00	WASHER	2	
44	6AW-45501-10-00	DRIVE SHAFT COMP.	1	U(30.1")
44	6AW-45501-00-00	DRIVE SHAFT COMP.	1	X(25.1")
45	6T5-45539-00-00	SPACER 2	1	
46	6AW-45244-00-00	NUT	1	
47	6AX-45550-00-00	GEAR SET	1	
48	90201-18023-00	WASHER, PLATE	1	
49	90179-18009-00	NUT	1	
50	6AX-45560-00-00	GEAR 1 (26T)	1	
51	6AX-45611-00-00	SHAFT, PROPELLER	1	

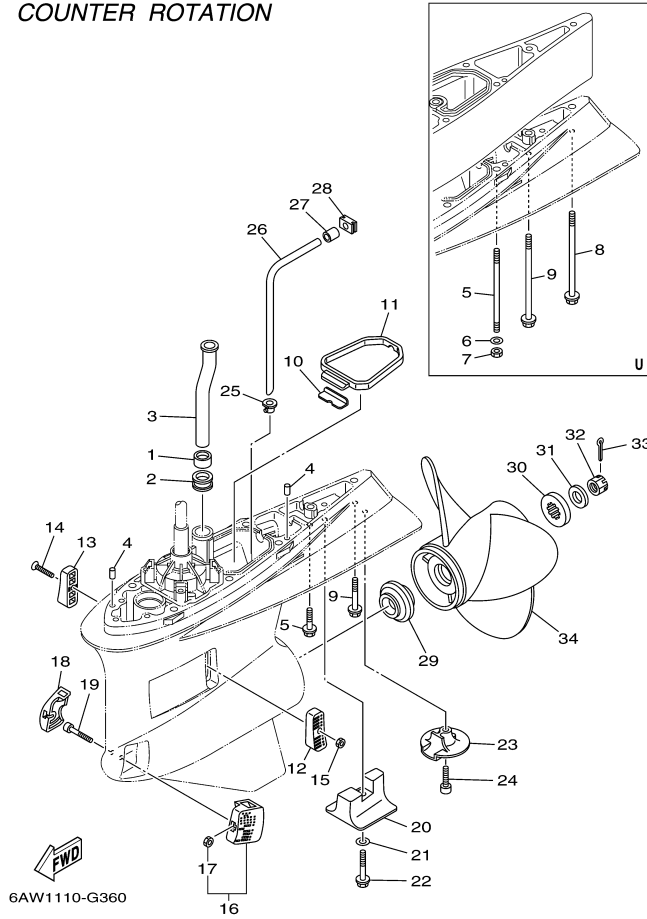
52	6AX-45641-00-00	SHIFTER	1	
53	61A-45634-01-00	SLIDE, SHIFT	1	
54	6AW-45632-00-00	PIN, CROSS	1	
55	6AW-45631-00-00	CLUTCH, DOG	1	
56	6AW-45633-00-00	RING, CROSS PIN	1	
57	6H1-45668-00-00	SHAFT, FREE 1	1	
58	61A-45635-00-00	PLUNGER, SHIFT	2	
59	90201-02M00-00	WASHER, PLATE	1	
60	90183-02M03-00	NUT, SPRING	2	
61	90501-10M77-00	SPRING, COMPRESSION	1	
62	93501-04011-00	BALL	2	
63	93341-440U5-00	BEARING	1	
64	6K1-45578-01-00	SHIM (T:0.10MM)	1	UR
64	6K1-45578-10-00	SHIM (T:0.12MM)	1	UR
64	6K1-45578-20-00	SHIM (T:0.15MM)	1	UR
64	6K1-45578-60-00	SHIM (T:0.50MM)	1	UR
64	6K1-45578-40-00	SHIM (T:0.30MM)	1	UR
64	6K1-45578-50-00	SHIM (T:0.40MM)	1	UR
64	6K1-45578-30-00	SHIM (T:0.18MM)	1	UR
65	6AX-45332-00-94	HOUSING, BEARING	1	
66	93332-000A2-00	BEARING	1	
67	6AW-45576-00-00	WASHER, THRUST 2	1	
68	6AW-45577-00-00	SHIM (T:0.10MM)	1	UR
68	6AW-45577-10-00	SHIM (T:0.12MM)	1	UR
68	6AW-45577-20-00	SHIM (T:0.15MM)	1	UR
68	6AW-45577-60-00	SHIM (T:0.50MM)	1	UR
68	6AW-45577-40-00	SHIM (T:0.30MM)	1	UR
68	6AW-45577-50-00	SHIM (T:0.40MM)	1	UR
68	6AW-45577-30-00	SHIM (T:0.18MM)	1	UR
69	93311-63591-00	BEARING	1	
70	99009-47500-00	CIRCLIP	1	
71	93101-35018-00	.OIL SEAL	2	
72	93211-10232-00	.O-RING	1	
73	90282-05008-00	KEY, STRAIGHT	1	
74	6AW-45383-00-00	WASHER, CLAW	1	
75	6AW-45384-00-00	NUT	1	

Part Notes

LF350TUR 0407 / LOWER CASING DRIVE 3

PART NUMBER	NOTE TEXT
90430-08020-00 	OEM: This part number is among the Top 100 Most Popular Marine Maintenance Parts as of February 2013.

COUNTER ROTATION




Part List

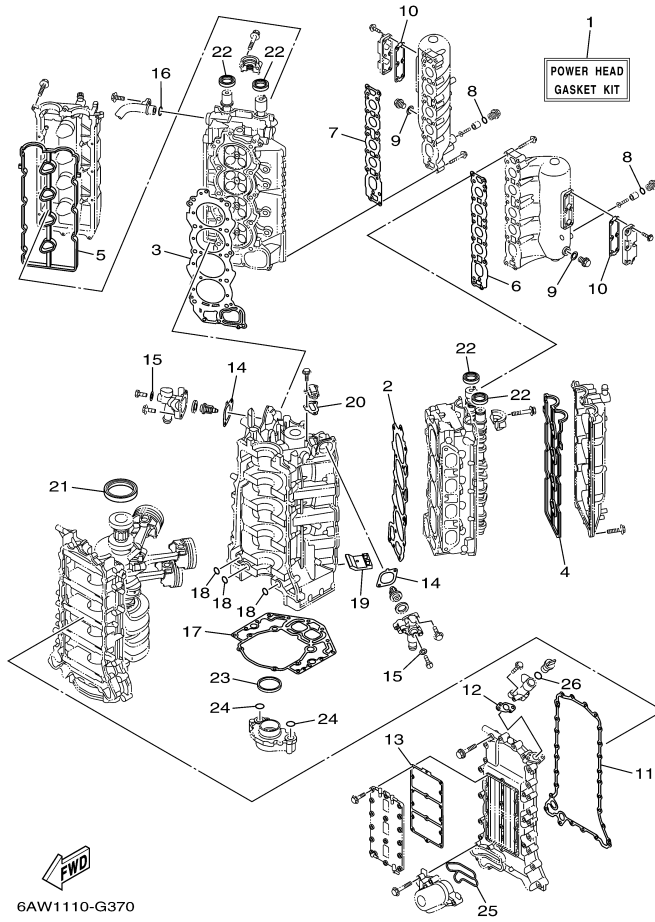
LF350TUR 0407 / LOWER CASING DRIVE 4

REF - NO	PART NUMBER	PART NAME	QUANTITY	REMARKS
1	6AW-44365-00-00	.DAMPER, WATER SEAL 1	1	
2	6AW-44366-00-00	DAMPER, WATER SEAL 2	1	
3	6AW-44361-10-00	TUBE, WATER 1	1	U(30.1")
3	6AW-44361-00-00	TUBE, WATER 1	1	X(25.1")
4	93608-12M05-00	PIN, DOWEL	2	
5	90116-10041-00	BOLT, STUD	6	U(30.1")
5	90119-10038-00	BOLT, WITH WASHER	7	X(25.1")
6	90201-10048-00	WASHER, PLATE	6	U(30.1")
7	90170-10009-00	NUT	6	U(30.1")
8	90119-10008-00	BOLT, WITH WASHER	1	U(30.1")
9	97575-10570-00	BOLT, WITH WASHER	1	X(25.1")
9	90119-10009-00	BOLT, WITH WASHER	1	U(30.1")
10	61A-45376-00-94	GUIDE, SEAL DAMPER	1	
11	6AW-45375-00-00	DAMPER, SEAL	1	
12	6AW-45214-00-00	COVER, WATER INLET 1	1	
13	6AW-45215-00-00	COVER, WATER INLET 2	1	
14	90152-05003-00	SCREW, COUNTERSUNK	1	
15	90185-05002-00	NUT, NYLON	1	
16	6AW-45224-00-00	COVER, WATER INLET 3	1	
17	90185-05002-00	NUT, NYLON	1	
18	6AW-45225-00-00	COVER, WATER INLET 4	1	
19	90110-05050-00	BOLT, HEXAGON SOCKET HEAD	1	
20	6AW-45373-00-00	ANODE	1	
21	92990-10300-00	WASHER	1	
22	90105-10257-00	BOLT, FLANGE	1	
23	6AW-45619-00-00	CAP	1	
24	90110-10018-00	BOLT, HEXAGON SOCKET HEAD	1	
25	6AW-44367-00-00	DAMPER, WATER SEAL 3	1	
26	6AW-44362-00-00	TUBE, WATER 2	1	
27	6AW-44375-00-00	GROMMET, WATER TUBE 1	1	
28	6AW-44376-00-00	GROMMET, WATER TUBE 2	1	
29	6AW-45987-00-00	SPACER 1	1	
30	6AW-45997-00-00	SPACER 2	1	
31	90201-19M01-00	WASHER, PLATE	1	
32	90171-18M04-00	NUT, CASTLE	1	
33	91490-40030-00	PIN. COTTER	1	
34	6AX-45970-00-00	PROPELLER (3X16-1/4"X17"-XL)	1	UR
34	6AX-45972-00-00	PROPELLER (3X16-1/4"X19"-XL)	1	UR
34	6AX-45978-00-00	PROPELLER (3X15-1/4"X25"-XL)	1	UR
34	6AX-45976-00-00	PROPELLER (3X15-1/4"X23"-XL)	1	UR
34	6AX-45974-00-00	PROPELLER (3X15-1/2"X21"-XL)	1	UR

Part Notes

LF350TUR 0407 / LOWER CASING DRIVE 4

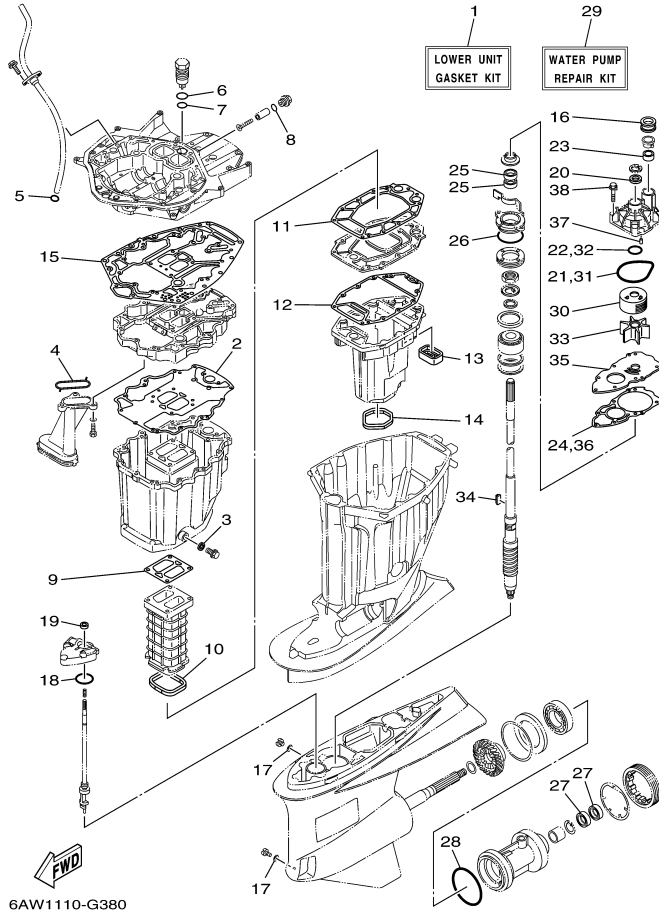
PART NUMBER	NOTE TEXT
91490-40030-00 	OEM: This part number is among the Top 100 Most Popular Marine Maintenance Parts as of February 2013.



Part List

LF350TUR 0407 / REPAIR KIT 1

REF - NO	PART NUMBER	PART NAME	QUANTITY	REMARKS
1	6AW-W0001-00-00	POWER HEAD GASKET KIT	1	
2	6AW-11181-00-00	.GASKET, CYLINDER HEAD 1	1	
3	6AW-11182-00-00	.GASKET, CYLINDER HEAD 2	1	
4	6AW-11193-00-00	.GASKET, HEAD COVER 1	1	
5	6AW-11194-00-00	.GASKET, HEAD COVER 2	1	
6	6AW-14613-00-00	.GASKET, EXHAUST PIPE	1	
7	6AW-14623-00-00	.GASKET, EXHAUST PIPE	1	
8	93210-19758-00	.O-RING	2	
9	90430-18130-00	.GASKET	2	
10	6AW-11195-00-00	.GASKET	2	
11	6AW-15451-00-00	.GASKET, CRANKCASE COVER 1	1	
12	6AW-15364-00-00	.GASKET, OIL PLUG	1	
13	6AW-15461-00-00	.GASKET, CRANKCASE COVER 2	1	
14	6AW-12427-00-00	.GASKET, HOUSING COVER 1	2	
15	90430-05002-00	.GASKET	2	
16	93210-207A0-00	.O-RING	1	
17	6AW-11351-00-00	.GASKET, CYLINDER	1	
18	93210-26658-00	.O-RING	3	
19	6AW-14664-00-00	.GROMMET, WATER SHUT	2	
20	6AW-11381-00-00	.GASKET 1	1	
21	93102-85004-00	.OIL SEAL	1	
22	93102-38M59-00	.OIL SEAL	4	
23	69J-11355-00-00	.SEAL, CYLINDER 1	1	
24	93210-26658-00	.O-RING	2	
25	6AW-13477-00-00	.GASKET	1	
26	93210-24M79-00	.O-RING	1	






Part List

LF350TUR 0407 / REPAIR KIT 2

REF - NO	PART NUMBER	PART NAME	QUANTITY	REMARKS
1	6AW-W0001-20-00	LOWER UNIT GASKET KIT	1	
2	6AW-15312-00-00	.GASKET, OIL PAN	1	
3	90430-14M09-00	.GASKET	1	
4	6AW-13415-00-00	.SEAL, OIL STRAINER	1	
5	93210-19MJ3-00	.O-RING	1	
6	93210-33MG4-00	.O-RING	1	
7	93210-28543-00	.O-RING	1	
8	93210-19758-00	.O-RING	1	
9	6AW-41134-00-00	.GASKET, EXHAUST MANIFOLD	1	
10	6AW-41138-00-00	.SEAL, EXT 1	1	
11	6AW-41135-00-00	.GASKET, EXHAUST MANIFOLD	1	
12	6AW-41136-00-00	.GASKET, EXHAUST MANIFOLD 4	1	
13	6AW-45127-00-00	.SEAL	1	
14	69J-45123-00-00	.GASKET, MUFFLER	1	
15	6AW-45113-00-00	.GASKET, UPPER CASING	1	
16	6AW-44366-00-00	.DAMPER, WATER SEAL 2	1	
17	90430-08020-00	.GASKET	2	
18	93210-48214-00	.O-RING	1	
19	93101-12M70-00	.OIL SEAL	1	
20	93109-24001-00	.OIL SEAL	1	
21	93210-94003-00	.O-RING	1	
22	93210-37160-00	.O-RING	1	
23	6AW-44365-00-00	.DAMPER, WATER SEAL 1	1	
24	6AW-44315-00-00	.GASKET, WATER PUMP	1	
25	93101-28004-00	.OIL SEAL	2	
26	93210-69MG6-00	.O-RING	1	
27	93101-35018-00	.OIL SEAL	2	
28	93211-10232-00	.O-RING	1	
29	6AW-W0078-00-00	WATER PUMP REPAIR KIT	1	
30	6AW-44322-00-00	.INSERT, CARTRIDGE	1	
31	93210-94003-00	.O-RING	1	
32	93210-37160-00	.O-RING	1	
33	6AW-44352-00-00	.IMPELLER	1	
34	6AW-44336-00-00	.KEY	1	
35	6AW-44323-00-00	.OUTER PLATE, CARTRIDGE	1	
36	6AW-44315-00-00	.GASKET, WATER PUMP	1	
37	93606-12019-00	.PIN, DOWEL	2	
38	90119-08M14-00	.BOLT, WITH WASHER	4	

Part Notes

LF350TUR 0407 / REPAIR KIT 2

PART NUMBER	NOTE TEXT
90430-14M09-00 	OEM: This part number is among the Top 100 Most Popular Marine Maintenance Parts as of February 2013.
69J-45123-00-00 	OEM: If you are replacing damaged exhaust components on a 3.1L V6 Fourstroke, two kits have been developed to make choosing and ordering the correct parts easier. Ordering either MAR-EXHKT-03-00 (EXH KIT F200-225 for 2002-2003 models) or MAR-EXHKT-04-00 (EXH KIT F200-250 2004 models and up) will get you everything needed to rebuild the entire exhaust system.
90430-08020-00 	OEM: This part number is among the Top 100 Most Popular Marine Maintenance Parts as of February 2013.

F350TXR 6AW - 1000001~
F350TUR 6AW - 1000001~
(6AW1)
LF350TXR 6AX - 1000001~
LF350TUR 6AX - 1000001~
(6AX1)

**ALL THESE MODELS USE THIS SAME PARTS CATALOG.
BE SURE TO ORDER ONLY THOSE PARTS APPLICABLE
TO THE DESIRED MODEL.**

