







## Part List

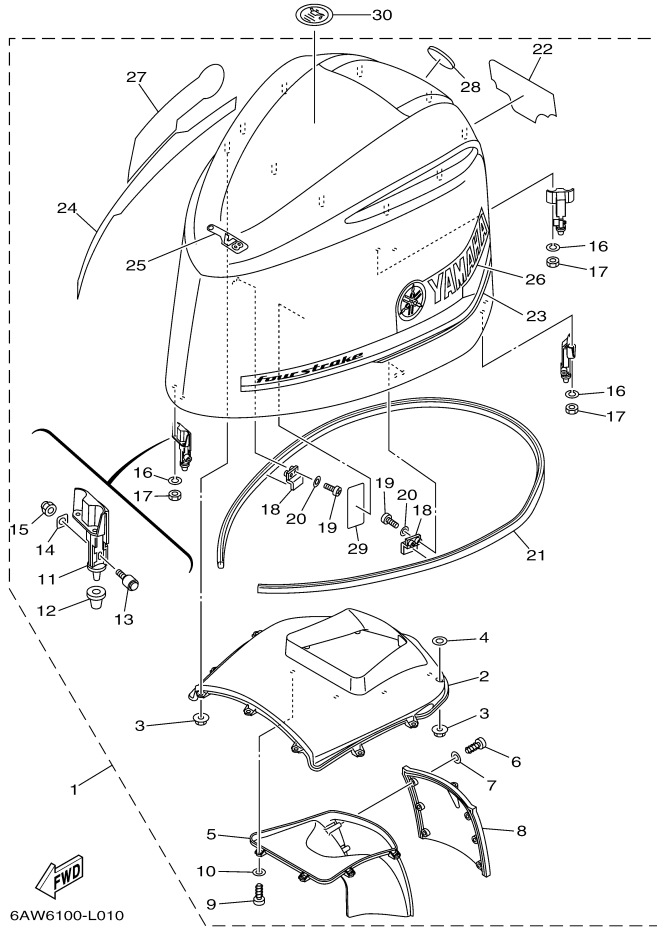
LF350XCB\_0112 / SCHEDULED SERVICE PARTS

REF - NO	PART NUMBER	PART NAME	QUANTITY	REMARKS
1	6P3-24564-00-00	.GASKET	1	FUEL 1 (REF 10)
2	6P3-24563-01-00	.ELEMENT, FILTER	1	FUEL 1 (REF 11)
3	6CB-13016-00-00	.O-RING	1	FUEL INJECTION PUMP 1 (REF 5)
4	6CB-24501-01-00	.FILTER, FUEL	1	FUEL INJECTION PUMP 1 (REF 3)
5	63P-13915-00-00	FILTER	1	FUEL INJECTION PUMP 1 (REF 21)
6	6CB-14984-00-00	GASKET, FLOAT CHAMBER	1	FUEL INJECTION PUMP 1 (REF 35)
7	63P-11325-01-00	ANODE	3	CYLINDER CRANKCASE 1 (REF 18)
8	N26-13440-00-00	ELEMENT ASSY, OIL CLEANER	1	CYLINDER CRANKCASE 1 (REF 41)
9	90430-14M09-00	.GASKET	1	OIL PAN (REF 6)
10	6AW-12411-00-00	THERMOSTAT	2	CYLINDER CRANKCASE 1 (REF 20)
11	6AW-1132P-00-00	ANODE 5	8	CYLINDER CRANKCASE 1 (REF 37)
12	6AW-1132R-00-00	ANODE 6	2	CYLINDER CRANKCASE 1 (REF 27)
13	67F-11325-01-00	.ANODE	10	CYLINDER CRANKCASE 2 (REF 18)
14	LFR-6A110-00-00	PLUG, SPARK (NGK LFR6A-11)	8	CYLINDER CRANKCASE 2 (REF 37)
15	6AW-45251-00-00	ANODE	1	BRACKET 1 (REF 4)
16	90430-08020-00	.GASKET	2	LOWER CASING DRIVE 3 (REF 9)
17	6AW-45619-00-00	CAP	1	LOWER CASING DRIVE 4 (REF 23)
18	6AW-45373-00-00	ANODE	1	LOWER CASING DRIVE 4 (REF 20)

## Part Notes

LF350XCB\_0112 / SCHEDULED SERVICE PARTS

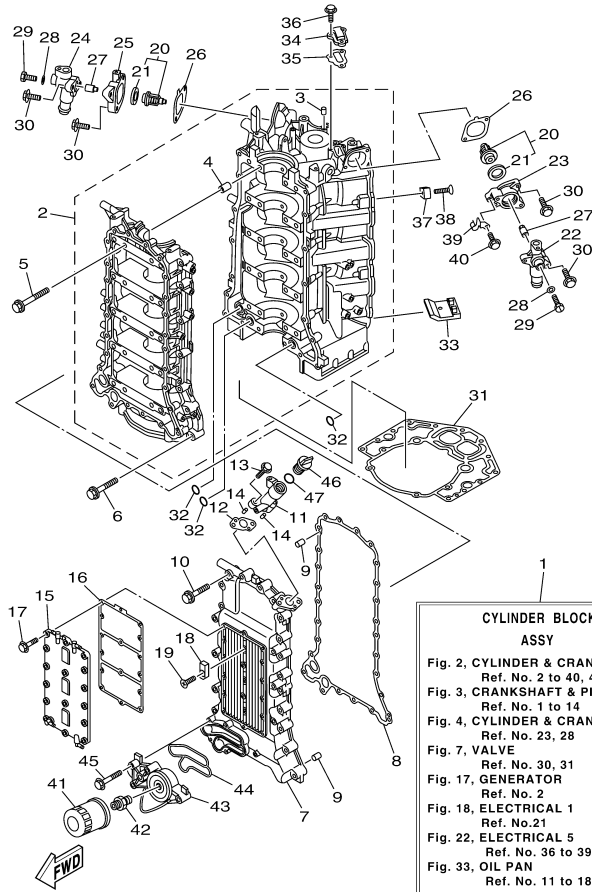
PART NUMBER		NOTE TEXT
6P3-24564-00-00		OEM: This part number is among the Top 100 Most Popular Marine Maintenance Parts as of February 2013.
63P-13915-00-00		OEM: This part number is among the Top 100 Most Popular Marine Maintenance Parts as of February 2013.
N26-13440-00-00		OEM: This part number is among the Top 100 Most Popular Marine Maintenance Parts as of February 2013.
90430-14M09-00		OEM: This part number is among the Top 100 Most Popular Marine Maintenance Parts as of February 2013.
LFR-6A110-00-00		OEM: This part number is among the Top 100 Most Popular Marine Maintenance Parts as of February 2013.
90430-08020-00		OEM: This part number is among the Top 100 Most Popular Marine Maintenance Parts as of February 2013.



## Part List

LF350XCB\_0112 / TOP COWLING

REF - NO	PART NUMBER	PART NAME	QUANTITY	REMARKS
1	6AW-42610-20-00	TOP COWLING ASSY	1	
2	6AW-42613-00-00	.MOLDING, AIR DUCT	1	
3	90179-06M28-00	.NUT	10	
4	6CB-42545-00-00	.WASHER, PLAIN	3	
5	6AW-42635-00-00	.DUCT, WATER SEPARATOR	1	
6	97780-60516-00	.SCREW, TAPPING	6	
7	92995-06200-00	.WASHER	6	
8	6AW-42532-00-00	.COVER	1	
9	97780-60516-00	.SCREW, TAPPING	7	
10	92995-06200-00	.WASHER	7	
11	6AW-42647-00-9S	.HOLDER, CLAMP BAND	3	
12	6AW-42663-00-00	.DAMPER	3	
13	6AW-4264A-00-00	.HOOK ASSY	3	
14	6AW-42646-10-00	.PLATE, CLAMP	3	
15	95780-08300-00	.NUT, FLANGE	3	
16	92990-06100-00	.WASHER, SPRING	6	
17	95380-06600-00	.NUT, HEXAGON	6	
18	6AW-42477-00-00	.PLATE, LOCK	2	
19	97885-05010-00	.SCREW, PAN HEAD	4	
20	92995-05600-00	.WASHER	4	
21	6AW-42628-20-00	.SEAL	1	
22	6AW-42678-00-00	.GRAPHIC, REAR	1	
23	6AW-42675-00-00	.GRAPHIC, SIDE 1	1	
24	6AW-42676-00-00	.GRAPHIC, SIDE 2	1	
25	6AW-42677-00-00	.GRAPHIC, FRONT	1	
26	6AW-42681-00-00	.MARK, COWLING	1	
27	6AW-42682-00-00	.MARK, COWLING	1	
28	6AW-42697-10-00	.TUNING FORK MARK	1	
29	6AH-42735-00-00	.PROTECTOR	1	
30	67F-13434-20-00	LABEL, CAUTION	1	



- CYLINDER BLOCK  
ASSY**
- Fig. 2, CYLINDER & CRANKCASE 1  
Ref. No. 2 to 40, 42 to 47
  - Fig. 3, CRANKSHAFT & PISTON  
Ref. No. 1 to 14
  - Fig. 4, CYLINDER & CRANKCASE 2  
Ref. No. 23, 28
  - Fig. 7, VALVE  
Ref. No. 30, 31
  - Fig. 17, GENERATOR  
Ref. No. 2
  - Fig. 18, ELECTRICAL 1  
Ref. No. 21
  - Fig. 22, ELECTRICAL 5  
Ref. No. 36 to 39
  - Fig. 33, OIL PAN  
Ref. No. 11 to 18

6AW6100-L020


# Part List

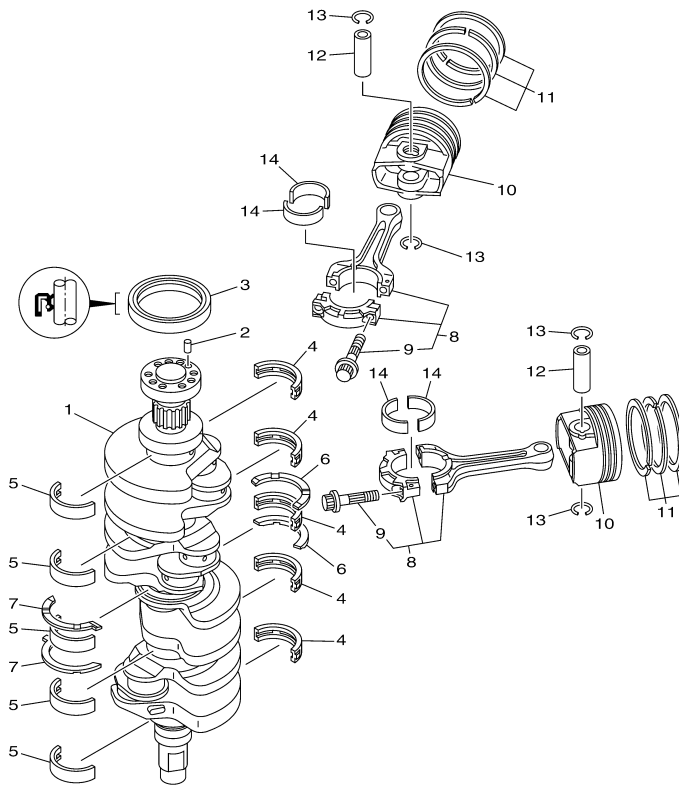
LF350XCB\_0112 / CYLINDER CRANKCASE 1

REF - NO	PART NUMBER	PART NAME	QUANTITY	REMARKS
1	6AW-W009B-04-9S	CYLINDER BLOCK ASSY	1	
2	6AW-15100-04-00	CRANKCASE ASSY	1	
3	93606-12019-00	.PIN, DOWEL	3	
4	91814-18002-00	.PIN, DOWEL	10	
5	6P2-15187-00-00	BOLT	20	
6	90105-08175-00	BOLT, FLANGE	18	
7	6AW-15411-02-9S	COVER, CRANKCASE 1	1	
8	6AW-15451-00-00	.GASKET, CRANKCASE COVER 1	1	
9	93606-12019-00	PIN, DOWEL	2	
10	90105-08175-00	BOLT, FLANGE	26	
11	6AW-15319-00-9S	JOINT	1	
12	6AW-15364-00-00	.GASKET, OIL PLUG	1	
13	90105-06155-00	BOLT, FLANGE	2	
14	93604-08062-00	PIN, DOWEL	2	
15	6AW-15421-00-9S	COVER, CRANKCASE 2	1	
16	6AW-15461-00-00	.GASKET, CRANKCASE COVER 2	1	
17	90105-06037-00	BOLT, FLANGE	16	
18	63P-11325-01-00	ANODE	3	
19	90151-06M02-00	SCREW, COUNTERSUNK	3	
20	6AW-12411-00-00	THERMOSTAT	2	
21	6AW-12412-00-00	.SEAL, THERMOSTAT	1	
22	6AW-12413-00-9S	COVER, THERMOSTAT	1	
23	6AW-12422-00-9S	COVER, HOUSING	1	
24	6AW-1241B-00-9S	COVER, THERMOSTAT 2	1	
25	6AW-1242B-00-9S	COVER, HOUSING 2	1	
26	6AW-12427-00-00	.GASKET, HOUSING COVER 1	2	
27	6AW-1132R-00-00	ANODE 6	2	
28	90430-05002-00	GASKET	2	
29	90105-05012-00	BOLT, FLANGE	2	
30	90105-06028-00	BOLT, FLANGE	8	
31	6AW-11351-00-00	.GASKET, CYLINDER	1	
32	93210-26658-00	.O-RING	3	
33	6AW-14664-00-00	.GROMMET, WATER SHUT	2	
34	6AW-1131M-00-9S	COVER	1	
35	6AW-11381-00-00	.GASKET 1	1	
36	90105-06039-00	BOLT, FLANGE	3	
37	6AW-1132P-00-00	ANODE 5	8	
38	98780-06530-00	SCREW, FLAT HEAD	8	
39	90462-12008-00	CLAMP	1	
40	95895-06012-00	BOLT, FLANGE	1	
41	N26-13440-00-00	ELEMENT ASSY, OIL CLEANER	1	
42	90401-19001-00	BOLT, UNION	1	
43	6AW-13446-00-9S	CONNECTOR	1	
44	6AW-13477-00-00	.GASKET	1	
45	95885-06045-00	BOLT, FLANGE	5	
46	6G8-15363-00-00	PLUG, OIL	1	
47	93210-24M79-00	.O-RING	1	

# Part Notes

LF350XCB\_0112 / CYLINDER CRANKCASE 1

PART NUMBER	NOTE TEXT
N26-13440-00-00 	OEM: This part number is among the Top 100 Most Popular Marine Maintenance Parts as of February 2013.



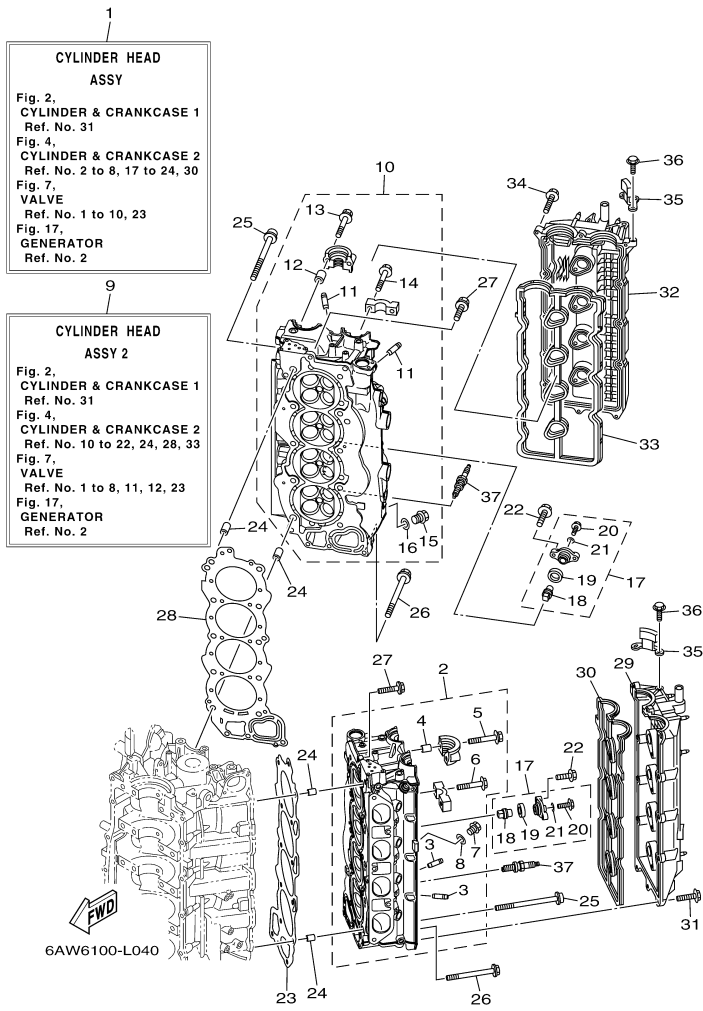
6AW6100-L030

## Part List

LF350XCB\_0112 / CRANKSHAFT PISTON

REF - NO	PART NUMBER	PART NAME	QUANTITY	REMARKS
1	6AW-11411-10-00	CRANKSHAFT	1	
2	93606-12019-00	PIN, DOWEL	1	
3	93102-85004-00	.OIL SEAL	1	
4	6AW-11416-00-00	PLANE BEARING, CRANKSHAFT 1	5	UR YELLOW
4	6AW-11416-10-00	PLANE BEARING, CRANKSHAFT 1	5	UR GREEN
4	6AW-11416-40-00	PLANE BEARING, CRANKSHAFT 1	5	UR BLUE
4	6AW-11416-30-00	PLANE BEARING, CRANKSHAFT 1	5	UR BLACK
4	6AW-11416-20-00	PLANE BEARING, CRANKSHAFT 1	5	UR BROWN
5	6AW-11417-00-00	PLANE BEARING, CRANKSHAFT 2	5	UR YELLOW
5	6AW-11417-10-00	PLANE BEARING, CRANKSHAFT 2	5	UR GREEN
5	6AW-11417-40-00	PLANE BEARING, CRANKSHAFT 2	5	UR BLUE
5	6AW-11417-30-00	PLANE BEARING, CRANKSHAFT 2	5	UR BLACK
5	6AW-11417-20-00	PLANE BEARING, CRANKSHAFT 2	5	UR BROWN
6	6AW-11426-00-00	BEARING, THRUST 1	2	
7	6AW-11427-00-00	BEARING, THRUST 2	2	
8	6AW-W1165-00-00	CONNECTING ROD ASSY	8	
9	63P-11654-10-00	.BOLT, CONNECTING ROD	2	
10	6AW-11631-10-93	PISTON (STD)	8	
11	6AW-11603-00-00	PISTON RING SET (STD)	8	
12	63P-11633-10-00	PIN, PISTON	8	
13	63P-11634-00-00	CLIP, PISTON PIN	16	
14	6AW-11656-00-00	PLANE BEARING, CONNECTING ROD	16	UR GREEN
14	6AW-11656-30-00	PLANE BEARING, CONNECTING ROD	16	UR PURPLE
14	6AW-11656-20-00	PLANE BEARING, CONNECTING ROD	16	UR RED
14	6AW-11656-10-00	PLANE BEARING, CONNECTING ROD	16	UR BLUE







## Part List

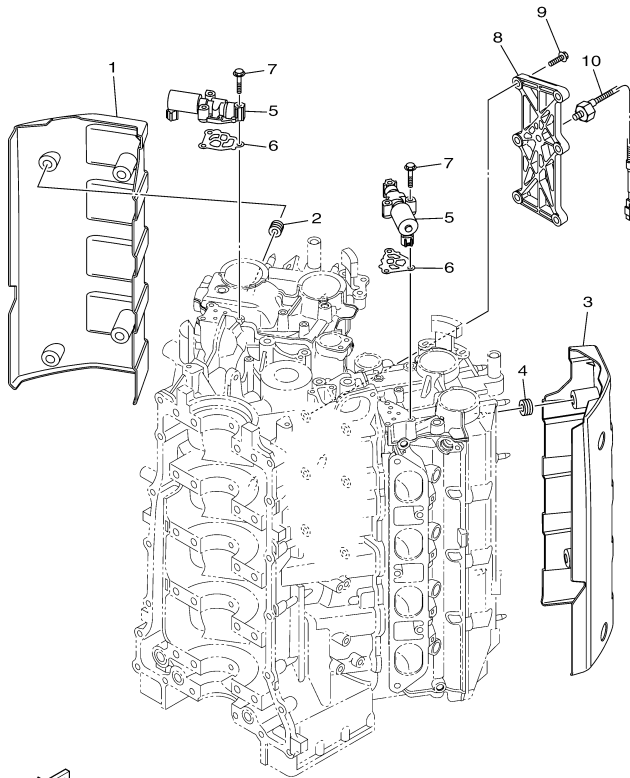
LF350XCB\_0112 / CYLINDER CRANKCASE 2

REF - NO	PART NUMBER	PART NAME	QUANTITY	REMARKS
1	6AW-W009A-01-9S	CYLINDER HEAD COMPLETE	1	
2	6AW-11110-10-00	CYLINDER HEAD ASSY	1	
3	6S5-11133-10-00	.GUIDE, VALVE 1	16	
4	91809-08006-00	.PIN, DOWEL	4	
5	90119-07001-00	.BOLT, WITH WASHER	4	
6	90119-07234-00	.BOLT, WITH WASHER	16	
7	90340-18M09-00	.PLUG, STRAIGHT SCREW	1	
8	90430-18130-00	.GASKET	1	
9	6AW-W009C-01-9S	CYLINDER HEAD 2 COMPLETE	1	
10	6AW-11120-10-00	CYLINDER HEAD ASSY 2	1	
11	6S5-11133-10-00	.GUIDE, VALVE 1	16	
12	91809-08006-00	.PIN, DOWEL	4	
13	90119-07001-00	.BOLT, WITH WASHER	4	
14	90119-07234-00	.BOLT, WITH WASHER	16	
15	90340-18M09-00	.PLUG, STRAIGHT SCREW	1	
16	90430-18130-00	.GASKET	1	
17	67F-11301-00-00	ANODE COVER ASSY	10	
18	67F-11325-01-00	.ANODE	1	
19	67F-11328-00-00	.GROMMET, ANODE	1	
20	90105-06M07-00	.BOLT, FLANGE	1	
21	90430-06M03-00	.GASKET	1	
22	95885-08025-00	BOLT, FLANGE	20	
23	6AW-11181-00-00	.GASKET, CYLINDER HEAD 1	1	
24	90387-11005-00	COLLAR	4	
25	90155-11002-00	SCREW, FLAT FILLISTER	20	
26	90105-08220-00	BOLT, FLANGE	6	
27	90119-08115-00	BOLT, WITH WASHER	2	
28	6AW-11182-00-00	.GASKET, CYLINDER HEAD 2	1	
29	6AW-11191-10-00	COVER, CYLINDER HEAD 1	1	
30	6AW-11193-10-00	.GASKET, HEAD COVER 1	1	
31	95895-06030-00	BOLT, FLANGE	16	
32	6AW-11192-10-00	COVER, CYLINDER HEAD 2	1	
33	6AW-11194-10-00	.GASKET, HEAD COVER 2	1	
34	95895-06030-00	BOLT, FLANGE	16	
35	6AW-15142-00-00	GUIDE 1	2	
36	95885-06014-00	BOLT, FLANGE	4	
37	LFR-6A110-00-00	PLUG, SPARK (NGK LFR6A-11)	8	

## Part Notes

LF350XCB\_0112 / CYLINDER CRANKCASE 2

PART NUMBER	NOTE TEXT
67F-11328-00-00 	OEM: This part number is among the Top 100 Most Popular Marine Maintenance Parts as of February 2013.
LFR-6A110-00-00 	OEM: This part number is among the Top 100 Most Popular Marine Maintenance Parts as of February 2013.



  
6AW6100-L050



Part List

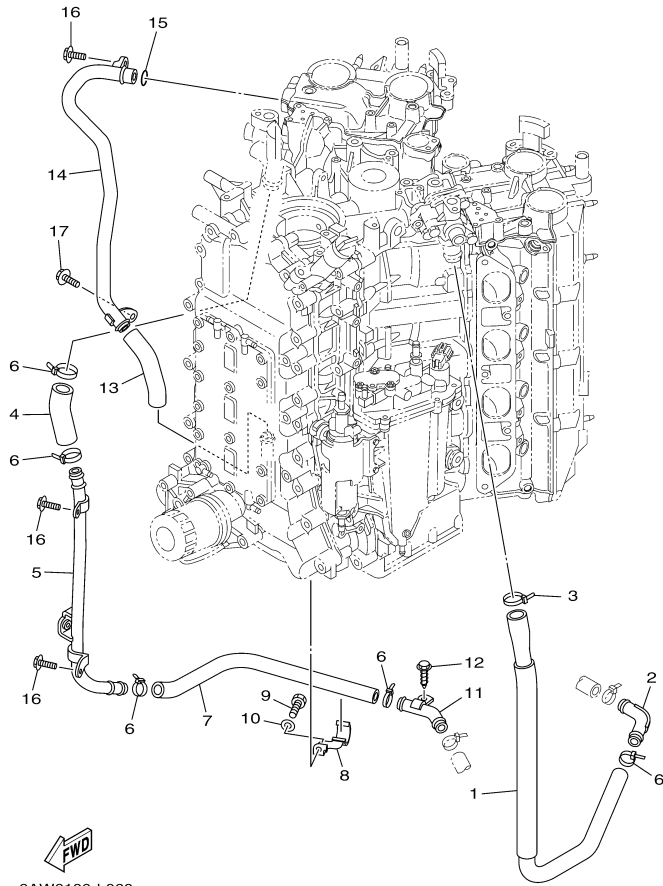
LF350XCB\_0112 / CYLINDER CRANKCASE 3

REF - NO	PART NUMBER	PART NAME	QUANTITY	REMARKS
1	6AW-11186-10-00	COVER, CYLINDER HEAD SIDE 2	1	
2	90480-12314-00	GROMMET	4	
3	6AW-11187-10-00	COVER, CYLINDER HEAD SIDE 3	1	
4	90480-12314-00	GROMMET	4	
5	6CB-86120-00-00	SOLENOID VALVE ASSY	2	
6	6CB-1242F-00-00	.GASKET, FILTER	2	
7	90105-06035-00	BOLT, FLANGE	6	
8	6AW-1135A-00-00	BRACKET	1	
9	90105-08240-00	BOLT, FLANGE	6	
10	6P2-85780-00-00	SENSOR, KNOCK	1	

Part Notes

LF350XCB\_0112 / CYLINDER CRANKCASE 3

PART NUMBER	NOTE TEXT
90480-12314-00 	OEM: See Remarks Column: GROMMET used on F115TLR and F/LF115TXR 0510 Production and Later
90480-12314-00 	OEM: See Remarks Column: GROMMET used on F115TLR and F/LF115TXR 0510 Production and Later

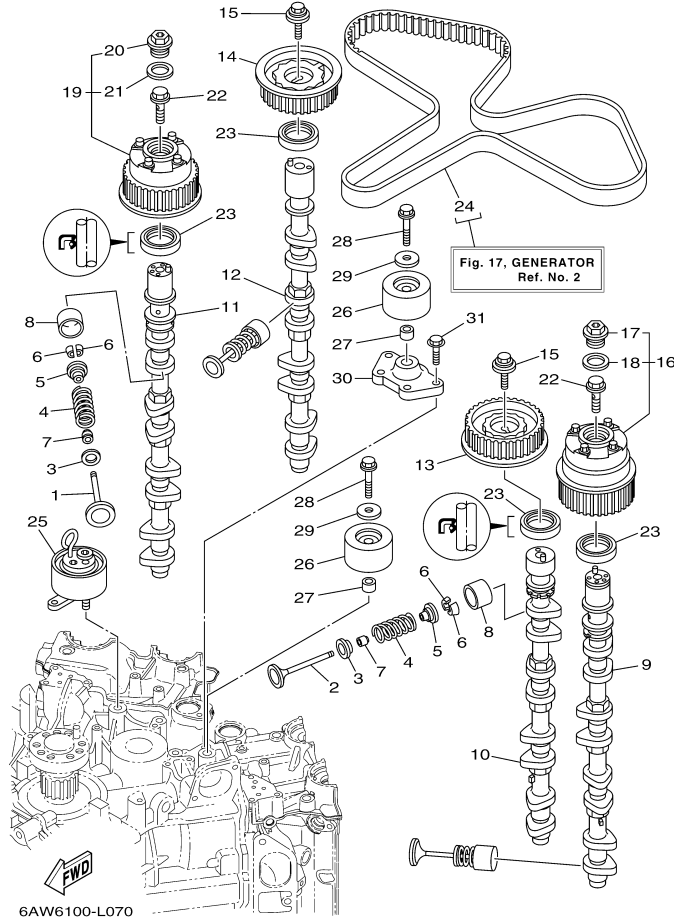


  
6AW6100-L060

## Part List

LF350XCB\_0112 / CYLINDER CRANKCASE 4

REF - NO	PART NUMBER	PART NAME	QUANTITY	REMARKS
1	6AW-1243A-00-00	HOSE 1	1	
2	6AW-12477-00-00	PIPE 7	1	
3	90465-11M59-00	CLAMP	1	
4	6AW-1243E-00-00	HOSE 2	1	
5	6AW-12484-00-00	PIPE 4	1	
6	90465-11M59-00	CLAMP	5	
7	6AW-1244G-00-00	HOSE, 4	1	
8	6AW-12491-10-00	CLAMP 1	1	
9	97095-06014-00	BOLT	1	
10	92995-06600-00	WASHER	1	
11	6AW-12476-00-00	PIPE 6	1	
12	90109-06M86-00	BOLT	1	
13	6AW-1244J-00-00	HOSE 6	1	
14	6AW-11378-00-00	HOSE 2	1	
15	93210-207A0-00	O-RING	1	
16	95885-06014-00	BOLT, FLANGE	3	
17	95885-06010-00	BOLT, FLANGE	1	



6AW6100-L070

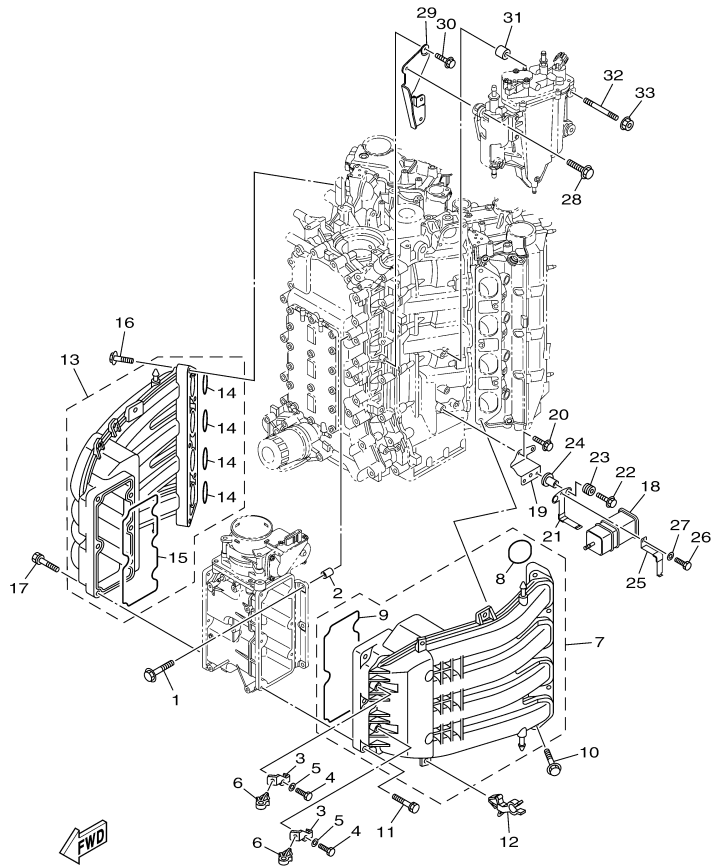
## Part List

LF350XCB\_0112 / VALVE

REF - NO	PART NUMBER	PART NAME	QUANTITY	REMARKS
1	6CB-12111-00-00	VALVE, INTAKE	16	
2	6CB-12121-00-00	VALVE, EXHAUST	16	
3	K0F-A3743-00-00	SEAT, VALVE SPRING	32	
4	6CB-12113-00-00	SPRING, VALVE INNER	32	
5	K0F-A3741-00-00	RETAINER, VALVE SPRING	32	
6	K0F-A3742-00-00	LOCK, VALVE SPRING RETAINER	64	
7	51Y-12119-00-00	SEAL, VALVE STEM	32	
8	K0F-A3751-00-00	LIFTER, VALVE (3.000)	32	UR
8	K0F-A3753-70-00	LIFTER, VALVE (3.725)	32	UR
8	K0F-A3751-20-00	LIFTER, VALVE (3.050)	32	UR
8	K0F-A3751-30-00	LIFTER, VALVE (3.075)	32	UR
8	K0F-A3751-40-00	LIFTER, VALVE (3.100)	32	UR
8	K0F-A3751-50-00	LIFTER, VALVE (3.122)	32	UR
8	K0F-A3751-60-00	LIFTER, VALVE (3.142)	32	UR
8	K0F-A3751-70-00	LIFTER, VALVE (3.162)	32	UR
8	K0F-A3751-80-00	LIFTER, VALVE (3.182)	32	UR
8	K0F-A3751-90-00	LIFTER, VALVE (3.202)	32	UR
8	K0F-A3751-A0-00	LIFTER, VALVE (3.222)	32	UR
8	K0F-A3751-B0-00	LIFTER, VALVE (3.242)	32	UR
8	K0F-A3751-C0-00	LIFTER, VALVE (3.262)	32	UR
8	K0F-A3751-D0-00	LIFTER, VALVE (3.282)	32	UR
8	K0F-A3751-E0-00	LIFTER, VALVE (3.302)	32	UR
8	K0F-A3751-F0-00	LIFTER, VALVE (3.322)	32	UR
8	K0F-A3751-G0-00	LIFTER, VALVE (3.342)	32	UR
8	K0F-A3751-H0-00	LIFTER, VALVE (3.362)	32	UR
8	K0F-A3751-J0-00	LIFTER, VALVE ((3.382)	32	UR
8	K0F-A3751-K0-00	LIFTER, VALVE (3.402)	32	UR
8	K0F-A3751-L0-00	LIFTER, VALVE (3.422)	32	UR
8	K0F-A3751-M0-00	LIFTER, VALVE (3.442)	32	UR
8	K0F-A3751-N0-00	LIFTER, VALVE (3.462)	32	UR
8	K0F-A3751-P0-00	LIFTER, VALVE (3.482)	32	UR
8	K0F-A3751-R0-00	LIFTER, VALVE (3.502)	32	UR
8	K0F-A3751-S0-00	LIFTER, VALVE (3.522)	32	UR
8	K0F-A3751-T0-00	LIFTER, VALVE (3.542)	32	UR
8	K0F-A3753-00-00	LIFTER, VALVE (3.562)	32	UR
8	K0F-A3753-10-00	LIFTER, VALVE (3.582)	32	UR
8	K0F-A3753-20-00	LIFTER, VALVE (3.602)	32	UR
8	K0F-A3753-30-00	LIFTER, VALVE (3.625)	32	UR
8	K0F-A3753-40-00	LIFTER, VALVE (3.650)	32	UR
8	K0F-A3753-50-00	LIFTER, VALVE (3.675)	32	UR
8	K0F-A3753-60-00	LIFTER, VALVE (3.700)	32	UR
8	K0F-A3751-10-00	LIFTER, VALVE (3.025)	32	UR
9	6AW-12171-10-00	CAMSHAFT 1	1	
10	6AW-12181-10-00	CAMSHAFT 2	1	
11	6AW-12172-10-00	CAMSHAFT 3	1	
12	6AW-12182-10-00	CAMSHAFT 4	1	
13	6AW-11537-00-00	GEAR, DRIVEN	1	
14	6AW-11567-00-00	GEAR, DRIVEN 2	1	
15	90119-10050-00	BOLT, WITH WASHER	2	
16	6AW-12645-00-00	PULLEY ASSY 1	1	
17	6P2-12623-00-00	.BOLT	1	
18	6P2-12663-00-00	.GASKET	1	
19	6AW-1264A-00-00	PULLEY ASSY 2	1	
20	6P2-12623-00-00	.BOLT	1	
21	6P2-12663-00-00	.GASKET	1	
22	6P2-12615-00-00	BOLT	2	
23	93102-38008-00	.OIL SEAL	4	
24	6AW-W4624-00-00	BELT (WITH ROTOR BOLTS)	1	
25	6P2-11590-01-00	TENSIONER ASSY	1	
26	6P2-15512-00-00	GEAR, IDLER 1	2	
27	99530-14016-00	PIN, DOWEL	2	
28	90119-10M07-00	BOLT, WITH WASHER	2	
29	90201-10M01-00	WASHER, PLATE	2	
30	6AW-15544-00-00	STAY 1	1	





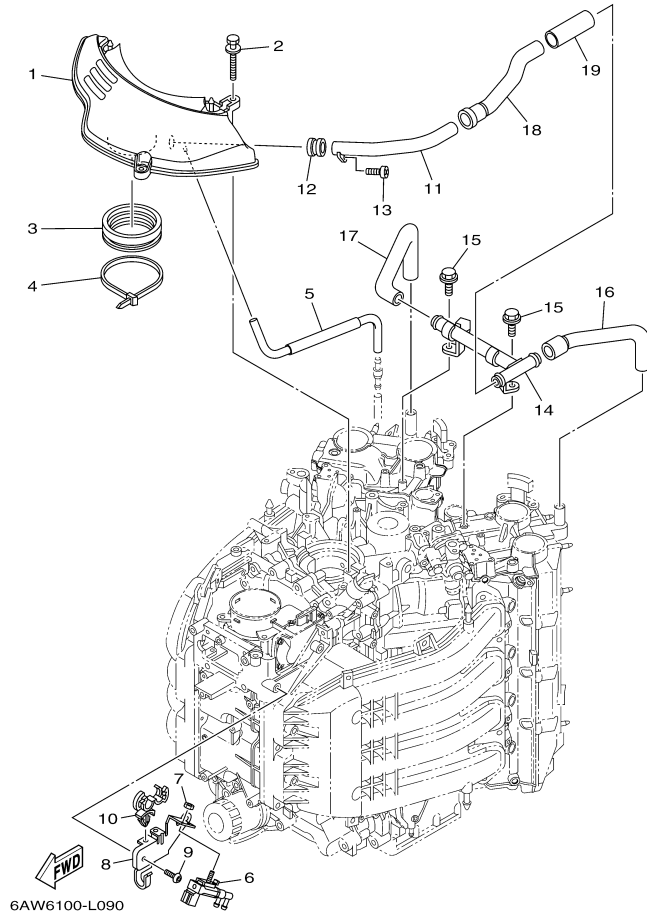


  
6AW6100-L080

## Part List

LF350XCB\_0112 / INTAKE 1

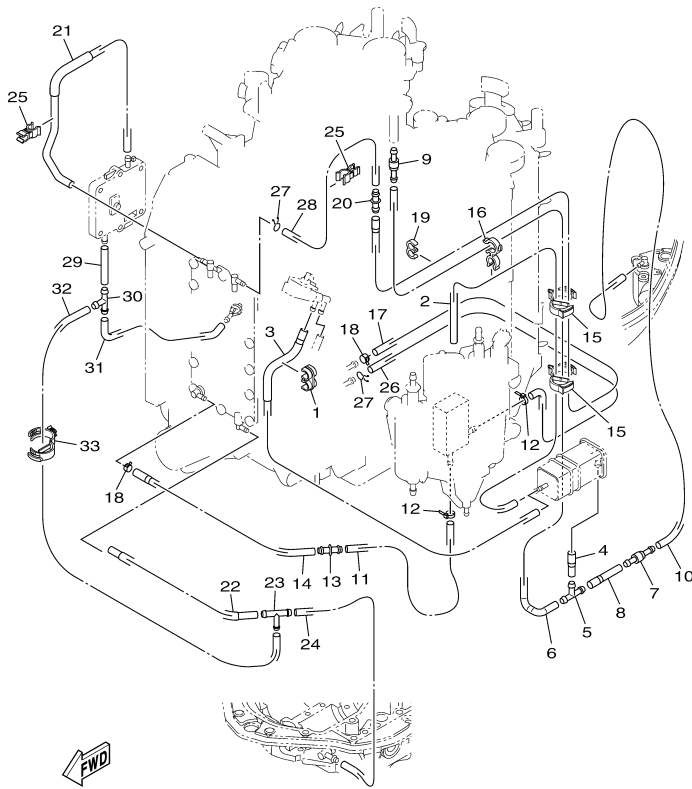
REF - NO	PART NUMBER	PART NAME	QUANTITY	REMARKS
1	95875-08035-00	BOLT, FLANGE	6	
2	99530-10114-00	PIN, DOWEL	2	
3	6AW-13782-00-00	STAY	2	
4	97095-06012-00	BOLT	2	
5	92995-06600-00	WASHER	2	
6	90464-09023-00	CLAMP	2	
7	6AW-13641-10-00	MANIFOLD, INTAKE 1	1	
8	6AW-13645-00-00	.GASKET, MANIFOLD 1	4	
9	6AW-13646-00-00	.GASKET, MANIFOLD 2	1	
10	90119-08022-00	BOLT, WITH WASHER	5	
11	90119-06MA6-00	BOLT, WITH WASHER	5	
12	90464-17006-00	CLAMP	2	
13	6AW-13641-10-00	MANIFOLD, INTAKE 1	1	
14	6AW-13645-00-00	.GASKET, MANIFOLD 1	4	
15	6AW-13646-00-00	.GASKET, MANIFOLD 2	1	
16	90119-08022-00	BOLT, WITH WASHER	5	
17	90119-06MA6-00	BOLT, WITH WASHER	5	
18	6P2-24170-00-00	CANISTER ASSY	1	
19	6AW-2134X-10-00	BRACKET, CANISTER	1	
20	95875-06016-00	BOLT, FLANGE	2	
21	69J-2134X-00-00	BRACKET, CANISTER	1	
22	90119-06M17-00	BOLT, WITH WASHER	2	
23	90480-10M23-00	GROMMET	2	
24	90387-06M60-00	COLLAR	2	
25	69J-2419A-01-00	HOLDER	1	
26	97095-06016-00	BOLT	1	
27	92995-06600-00	WASHER	1	
28	90119-06M24-00	BOLT, WITH WASHER	2	
29	6AW-24419-00-00	BRKT., SEPARATOR	1	
30	95875-06016-00	BOLT, FLANGE	2	
31	90387-06276-00	COLLAR	2	
32	90116-06046-00	BOLT, STUD	2	
33	90179-06M28-00	NUT	2	



## Part List

LF350XCB\_0112 / INTAKE 2

REF - NO	PART NUMBER	PART NAME	QUANTITY	REMARKS
1	6AW-14440-00-00	SILENCER ASSY, INTAKE	1	
2	90119-06M35-00	BOLT, WITH WASHER	3	
3	6AW-1441J-00-00	PIPE, SILENCER	1	
4	90464-99004-00	CLAMP	1	
5	6AW-14419-00-00	PIPE	1	
6	6C5-86120-00-00	SOLENOID VALVE ASSY	1	
7	95380-06600-00	NUT, HEXAGON	1	
8	6AW-8611A-00-00	HOLDER SOLENOID	1	
9	90111-06111-00	BOLT,HEX. SOCKET BUTTON	2	
10	90464-18246-00	CLAMP	1	
11	6AW-15373-00-00	PIPE, BREATHER	1	
12	6AW-14445-00-00	GROMMET	1	
13	97780-60620-00	SCREW, TAPPING	1	
14	6AW-15393-00-00	PIPE, BREATHER 2	1	
15	97575-06514-00	BOLT, WITH WASHER	2	
16	6AW-1531A-00-00	HOSE, BREATHER 1	1	
17	6AW-1531A-10-00	HOSE, BREATHER 1	1	
18	6AW-1532A-00-00	HOSE, BREATHER 2	1	
19	90446-32002-00	HOSE (L90)	1	

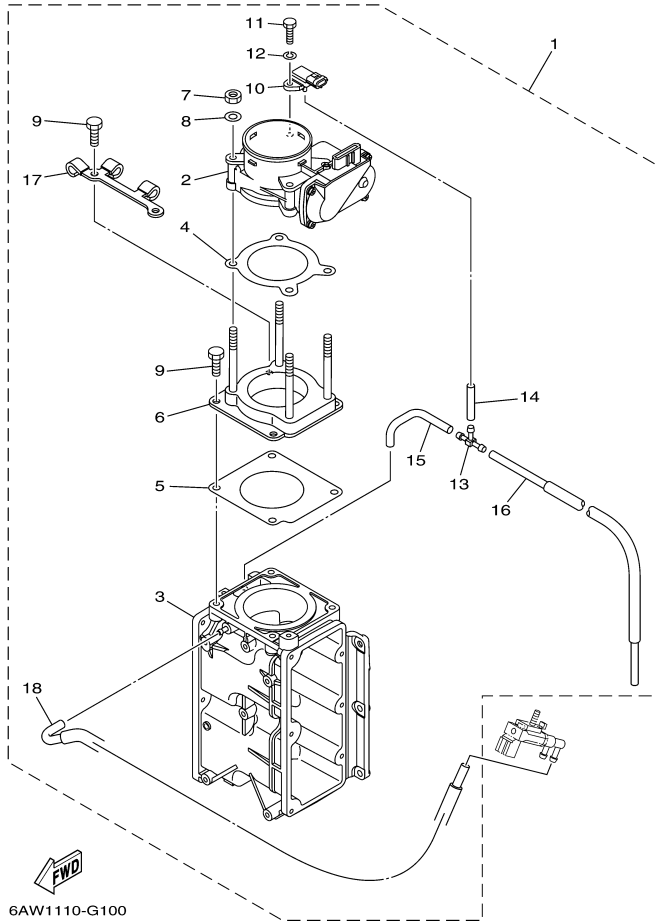


6AW6100-L100

## Part List

LF350XCB\_0112 / INTAKE 3

REF - NO	PART NUMBER	PART NAME	QUANTITY	REMARKS
1	90464-12224-00	CLAMP	1	
2	6AW-1475A-10-00	PIPE 1	1	
3	6AW-24312-10-00	PIPE 2	1	
4	6AW-13545-10-00	HOSE 1	1	
5	688-24378-00-00	PIPE, JOINT 3	1	
6	6AW-13548-10-00	HOSE, AIR 4	1	
7	6E5-21744-00-00	BREATHER	1	
8	6CB-13548-00-00	HOSE, AIR 4	1	
9	6E5-21744-00-00	BREATHER	1	
10	6AW-13547-10-00	HOSE 3	1	
11	90445-09104-00	HOSE (L300)	1	
12	90465-11M10-00	CLAMP	2	
13	6CE-24376-00-00	PIPE, JOINT 1	1	
14	6AW-12589-00-00	HOSE 6	1	
15	90464-32002-00	CLAMP	2	
16	90464-09M42-00	CLAMP	1	
17	6AW-12576-20-00	HOSE 1	1	
18	90467-11136-00	CLIP	2	
19	90464-60067-00	CLAMP	1	
20	6CE-24376-00-00	PIPE, JOINT 1	1	
21	6AW-12577-00-00	HOSE 2	1	
22	6AW-12578-00-00	HOSE 3	1	
23	68F-14485-00-00	PIPE, JOINT	1	
24	6AW-12579-10-00	HOSE 4	1	
25	90464-10010-00	CLAMP	2	
26	90445-09120-00	HOSE (L600)	1	
27	90467-08M10-00	CLIP	2	
28	6AW-12483-00-00	PIPE 3	1	
29	90445-09026-00	HOSE (L68)	1	
30	688-24378-00-00	PIPE, JOINT 3	1	
31	6AW-12482-10-00	PIPE 2	1	
32	6AW-12588-00-00	HOSE 5	1	
33	90464-30003-00	CLAMP	1	



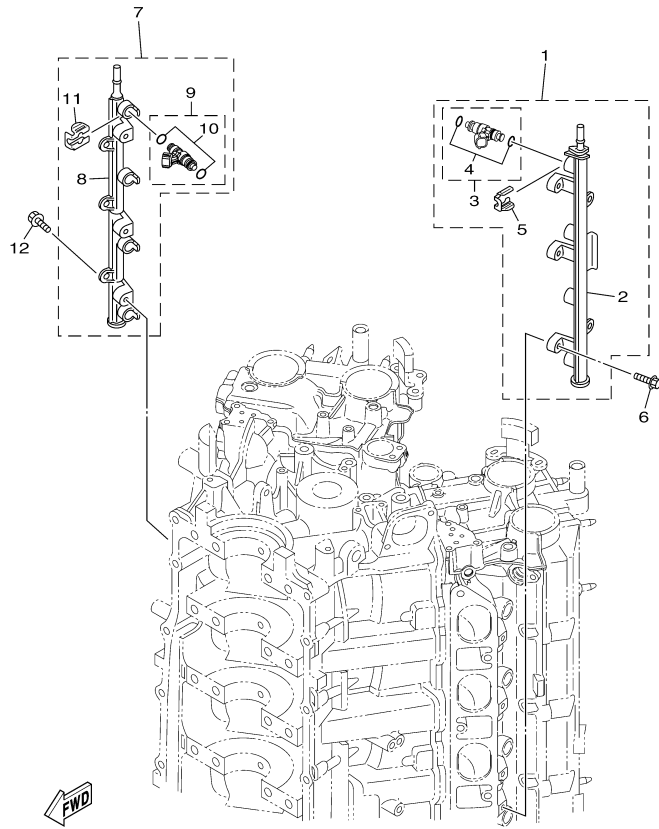
6AW1110-G100



## Part List

LF350XCB\_0112 / THROTTLE BODY ASSY 1

REF - NO	PART NUMBER	PART NAME	QUANTITY	REMARKS
1	6AW-13750-01-00	THROTTLE BODY ASSY	1	
2	6AW-13751-00-00	.BODY, THROTTLE 1	1	
3	6AW-13711-01-00	.MIXING BODY	1	
4	6AW-13556-00-00	.GASKET, MANIFOLD	1	
5	6AW-13557-00-00	.GASKET	1	
6	6AW-14360-00-00	.THROTTLE DAMPER ASSY	1	
7	6P2-13588-00-00	.NUT	4	
8	6P2-13578-00-00	.WASHER	4	
9	6P2-14496-00-00	.BOLT	4	
10	6P2-82380-00-00	.SENSOR, PRESSURE	1	
11	6P2-13573-00-00	.BOLT 1	1	
12	68V-14356-00-00	.WASHER, SPRING	1	
13	4N0-14251-00-00	.NIPPLE	1	
14	5JW-24311-00-00	.PIPE, FUEL 1	1	
15	6AW-82364-00-00	.HOSE 2	1	
16	6AW-82365-00-00	.HOSE 3	1	
17	6AW-11188-00-00	.CLIP, PIPE	1	
18	6AW-82366-00-00	.HOSE 4	1	

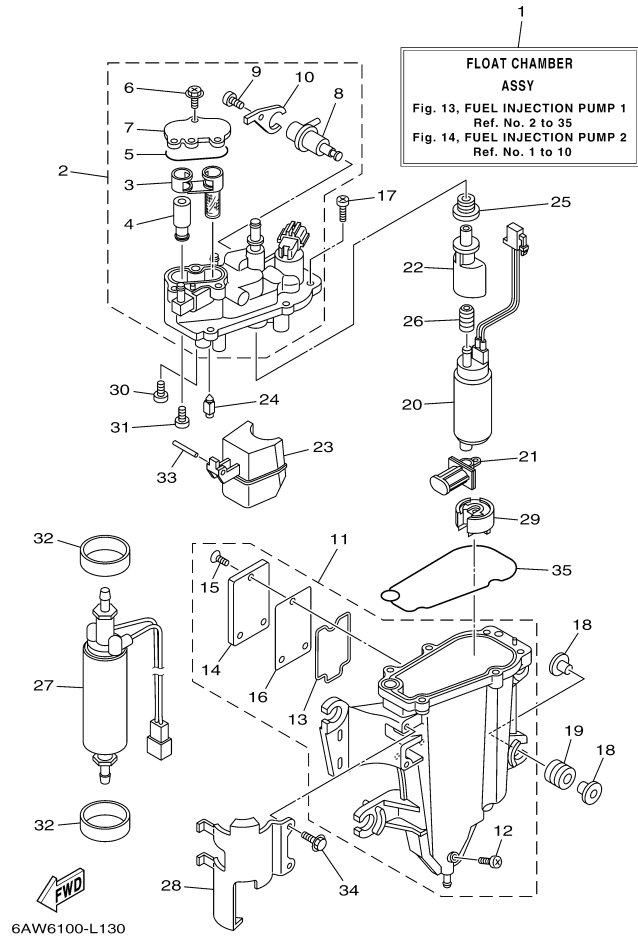


6AW6100-L120

# Part List

LF350XCB\_0112 / THROTTLE BODY ASSY 2

REF - NO	PART NUMBER	PART NAME	QUANTITY	REMARKS
1	6AW-13160-10-00	DELIVERY PIPE ASSY 1	1	
2	6AW-13161-10-00	.PIPE, DELIVERY 1	1	
3	6AW-13761-00-00	.INJECTOR	4	
4	6AW-1410B-00-00	..PACKING KIT	1	
5	6AW-13577-10-00	.CLIP	4	
6	90105-06M08-00	BOLT, FLANGE	3	
7	6AW-13170-10-00	DELIVERY PIPE ASSY 2	1	
8	6AW-13171-10-00	.PIPE, DELIVERY 2	1	
9	6AW-13761-00-00	.INJECTOR	4	
10	6AW-1410B-00-00	..PACKING KIT	1	
11	6AW-13577-10-00	.CLIP	4	
12	90105-06M08-00	BOLT, FLANGE	3	




## Part List

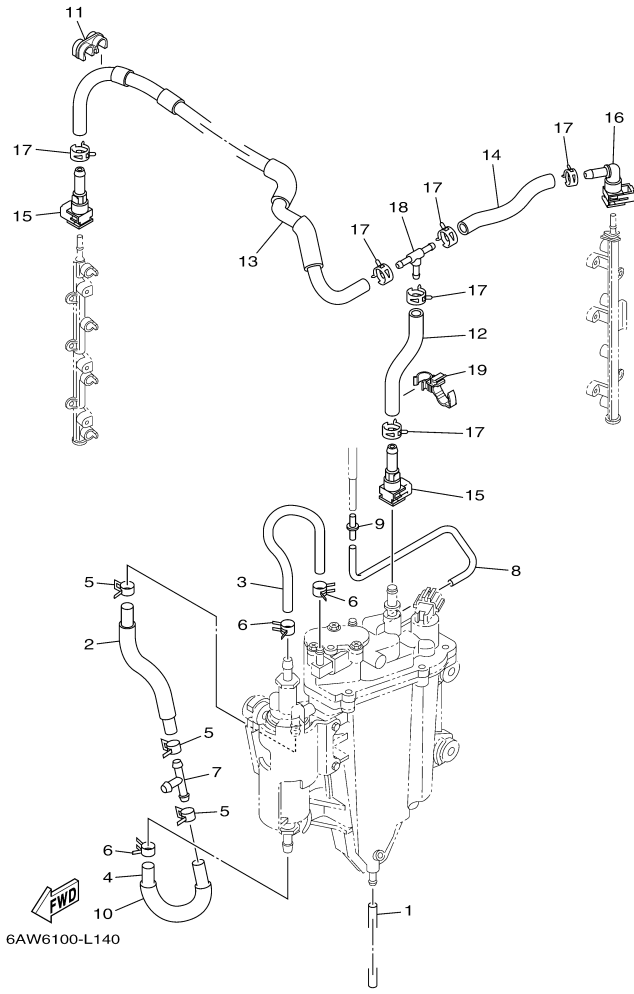
LF350XCB\_0112 / FUEL INJECTION PUMP 1

REF - NO	PART NUMBER	PART NAME	QUANTITY	REMARKS
1	6AW-14180-20-00	FLOAT CHAMBER ASSY	1	
2	6AW-14182-10-00	COVER, FLOAT CHAMBER	1	
3	6CB-24501-01-00	.FILTER, FUEL	1	
4	6CB-24460-00-00	.RELIEF VALVE ASSY	1	
5	6CB-13016-00-00	.O-RING	1	
6	6CB-14216-00-00	.SCREW	3	
7	6CB-24217-00-00	.COVER	1	
8	6CB-13906-01-00	.REGULATOR, PRESSURE	1	
9	6CB-14564-00-00	.SCREW	1	
10	6CB-14146-00-00	.PLATE	1	
11	6CB-14181-01-00	BODY, FLOAT CHAMBER 1	1	
12	6P2-14191-00-00	.PLUG, DRAIN	1	
13	6CB-14239-00-00	.SEAL	1	
14	6CB-24452-10-00	.COVER	1	
15	6CB-14429-01-00	.SCREW	3	
16	6CB-24482-00-00	.GASKET 1	1	
17	63P-14567-00-00	SCREW	6	
18	69J-13716-00-00	COLLAR	8	
19	6CB-13593-00-00	DAMPER	4	
20	6AW-13907-10-00	FUEL PUMP COMP.	1	
21	63P-13915-00-00	FILTER	1	
22	6AW-13132-00-00	JOINT	1	
23	6CB-14985-00-00	FLOAT	1	
24	6CB-14546-00-00	VALVE, NEEDLE	1	
25	6CB-1447B-00-00	BUSH 1	1	
26	6AW-13781-00-00	DAMPER, PUMP	1	
27	6CB-24410-00-00	FUEL PUMP ASSY	1	
28	6AW-24491-10-00	BRACKET, FUEL PUMP	1	
29	6AW-13784-00-00	COVER, PUMP	1	
30	4SV-24453-00-00	SCREW	1	
31	98507-04008-00	.SCREW, PAN HEAD	1	
32	6CB-24492-00-00	BUSH, FUEL PUMP	2	
33	6P2-14386-00-00	PIN, FLOAT	1	
34	6CB-24592-00-00	BOLT	2	
35	6CB-14984-00-00	GASKET, FLOAT CHAMBER	1	

## Part Notes

LF350XCB\_0112 / FUEL INJECTION PUMP 1

PART NUMBER	NOTE TEXT
63P-13915-00-00 	OEM: This part number is among the Top 100 Most Popular Marine Maintenance Parts as of February 2013.

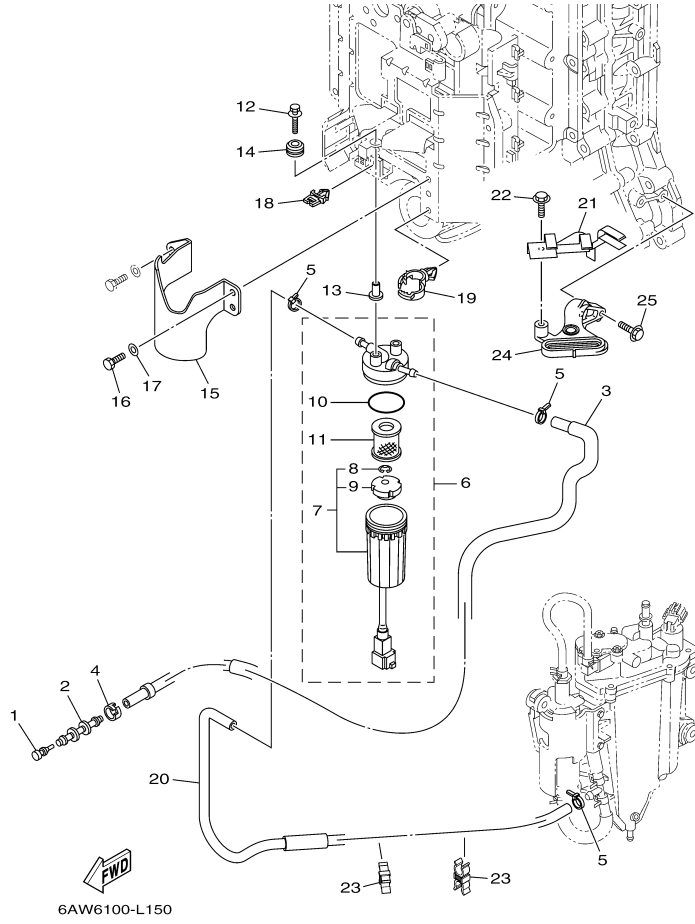


6AW6100-L140

## Part List

LF350XCB\_0112 / FUEL INJECTION PUMP 2

REF - NO	PART NUMBER	PART NAME	QUANTITY	REMARKS
1	6P2-14149-00-00	PIPE	1	
2	6AW-24323-20-00	PIPE 12	1	
3	6AW-24324-20-00	PIPE 13	1	
4	6AW-24317-20-00	PIPE 7	1	
5	69J-14137-00-00	CLIP	3	
6	68V-13577-00-00	CLIP	3	
7	6E5-24378-00-00	PIPE, JOINT 3	1	
8	6AW-13532-00-00	HOSE, VACUUM SENSING 3	1	
9	6P2-24376-00-00	PIPE, JOINT 1	1	
10	90446-18002-00	HOSE	1	
11	90464-12224-00	CLAMP	1	
12	6AW-13971-30-00	PIPE, FUEL 1	1	
13	6AW-13973-30-00	PIPE, FUEL 3	1	
14	6AW-13974-30-00	PIPE, FUEL 4	1	
15	6AW-24300-10-00	FUEL PIPE JOINT	2	
16	6AW-24300-00-00	FUEL PIPE JOINT	1	
17	68V-13577-00-00	CLIP	6	
18	6CB-24461-00-00	PIPE, JOINT	1	
19	90464-12012-00	CLAMP	1	






Part List

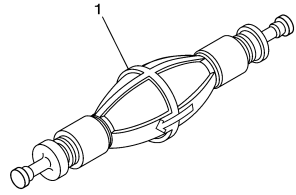
LF350XCB\_0112 / FUEL 1

REF - NO	PART NUMBER	PART NAME	QUANTITY	REMARKS
1	689-85547-00-00	DAMPER	1	
2	6AW-24377-01-00	PIPE, JOINT 2	1	
3	6AW-24311-11-00	PIPE, FUEL 1	1	
4	6E5-24351-51-00	BAND 1	1	
5	90465-11M10-00	CLAMP	3	
6	6P3-24560-22-00	FILTER ASSY	1	
7	6P3-24562-21-00	.CUP, FILTER	1	
8	6P3-24519-00-00	..CLIP	1	
9	6P3-24469-00-00	..FLOAT, WATER LEVEL	1	
10	6P3-24564-00-00	.GASKET	1	
11	6P3-24563-01-00	.ELEMENT, FILTER	1	
12	90119-06M17-00	BOLT, WITH WASHER	2	
13	90387-06M60-00	COLLAR	2	
14	90480-10M23-00	GROMMET	2	
15	6AW-24596-00-00	COVER	1	
16	97095-06012-00	BOLT	2	
17	92995-06600-00	WASHER	2	
18	90464-11121-00	CLAMP	1	
19	90464-20181-00	CLAMP	1	
20	6AW-24313-10-00	PIPE 3	1	
21	6AW-24422-00-00	PLATE	1	
22	95895-06012-00	BOLT, FLANGE	1	
23	90464-11009-00	CLAMP	2	
24	6AW-44117-00-00	BRACKET	1	
25	95895-06025-00	BOLT, FLANGE	2	

Part Notes

LF350XCB\_0112 / FUEL 1

PART NUMBER	NOTE TEXT
6P3-24564-00-00 	OEM: This part number is among the Top 100 Most Popular Marine Maintenance Parts as of February 2013.

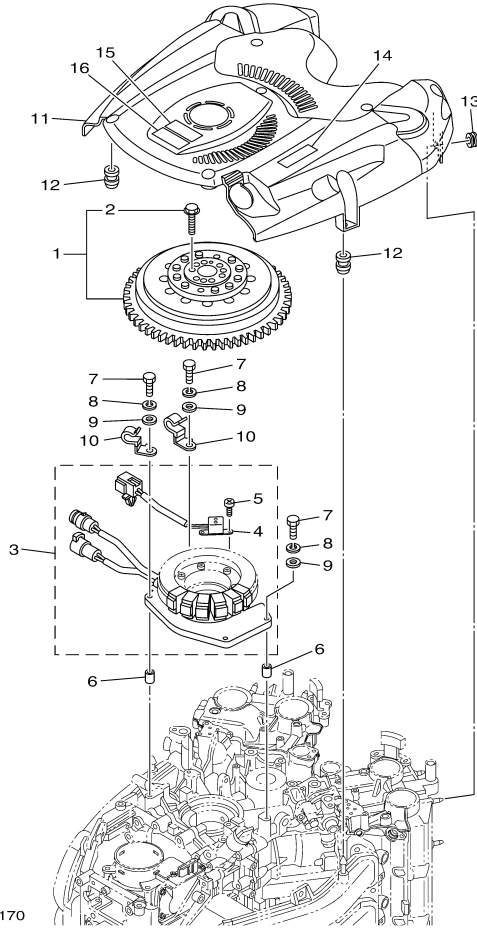


6AW6100-L160

Part List

LF350XCB\_0112 / FUEL 2

REF - NO	PART NUMBER	PART NAME	QUANTITY	REMARKS
1	6AW-24360-01-00	PRIMER PUMP ASSY	1	AP



6AW6100-L170



## Part List

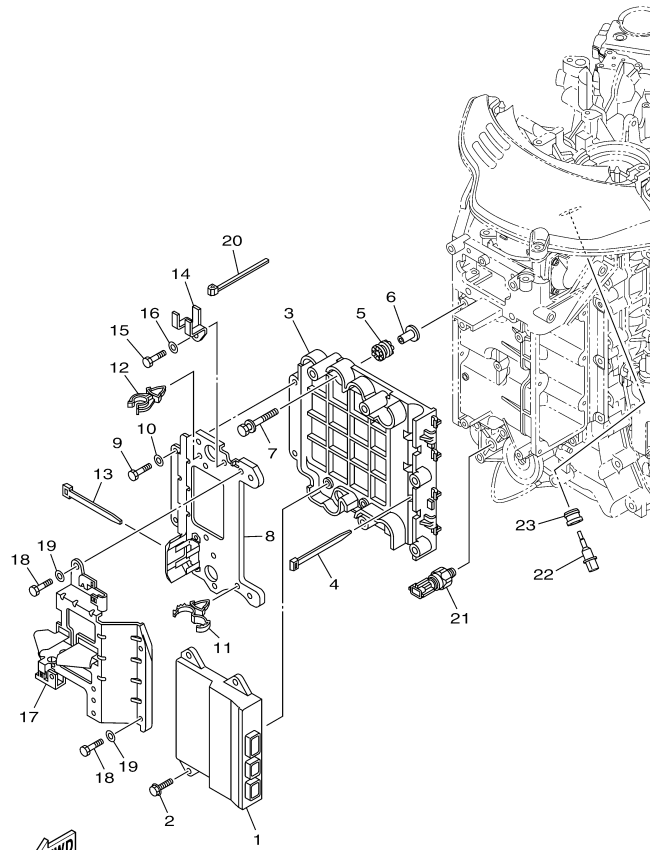
LF350XCB\_0112 / GENERATOR

REF - NO	PART NUMBER	PART NAME	QUANTITY	REMARKS
1	6AW-W8145-01-00	ROTOR ASSY WITH BOLTS	1	
2	6AW-W9011-00-00	.BOLT SET (FOR ROTOR ASSY)	1	
3	6AW-81460-00-00	BASE ASSY	1	
4	6AW-85580-00-00	.COIL, PULSER	1	
5	63D-81345-00-00	.SCREW, WITH WASHER (M5X12)	2	
6	99530-08012-00	PIN, DOWEL	2	
7	97095-06030-00	BOLT	4	
8	92995-06100-00	WASHER, SPRING	4	
9	92995-06600-00	WASHER	4	
10	90462-10042-00	CLAMP	2	
11	6AW-81337-01-00	COVER, FLYWHEEL	1	
12	663-82317-01-00	DAMPER, IGNITION COIL	4	
13	90480-12314-00	GROMMET	2	
14	6AW-13437-51-00	MARK, CAUTION	1	
15	6AH-81994-40-00	LABEL, SAFETY	1	
16	6AH-81994-50-00	LABEL, SAFETY	1	

## Part Notes

LF350XCB\_0112 / GENERATOR

PART NUMBER	NOTE TEXT
92995-06100-00 	OEM: This part number is among the Top 100 Most Popular Marine Maintenance Parts as of February 2013.
90480-12314-00 	OEM: See Remarks Column: GROMMET used on F115TLR and F/LF115TXR 0510 Production and Later

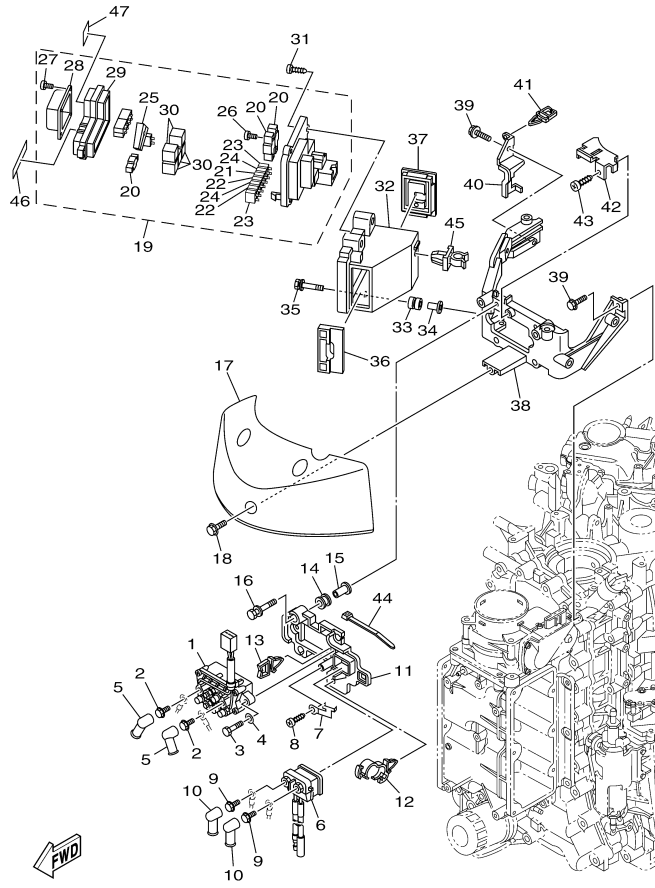


6AW6100-L180

## Part List

LF350XCB\_0112 / ELECTRICAL 1

REF - NO	PART NUMBER	PART NAME	QUANTITY	REMARKS
1	6AW-8591A-41-00	ENGINE CONTROL UNIT ASSY	1	
2	90119-06M82-00	BOLT, WITH WASHER	4	
3	6AW-85991-00-00	BRACKET, UNIT	1	
4	90465-14M66-00	CLAMP	4	
5	60V-85564-00-00	GROMMET	4	
6	90387-06176-00	COLLAR	4	
7	68F-85119-00-00	BOLT	4	
8	6AW-8591C-00-00	CASE, ECU	1	
9	97095-06012-00	BOLT	5	
10	92995-06600-00	WASHER	5	
11	90464-18246-00	CLAMP	1	
12	90464-16240-00	CLAMP	1	
13	90465-13M24-00	CLAMP	1	
14	6AW-82544-01-00	CLAMP	1	
15	97095-06012-00	BOLT	1	
16	92995-06600-00	WASHER	1	
17	6AW-82588-00-00	PLATE	1	
18	97095-06012-00	BOLT	4	
19	92995-06600-00	WASHER	4	
20	90465-14M66-00	CLAMP	1	
21	6AW-83651-00-00	SENDER, OIL PRESSURE	1	
22	63P-85886-00-00	SENSOR, AIR TEMPERATURE	1	
23	63P-14435-00-00	GROMMET	1	



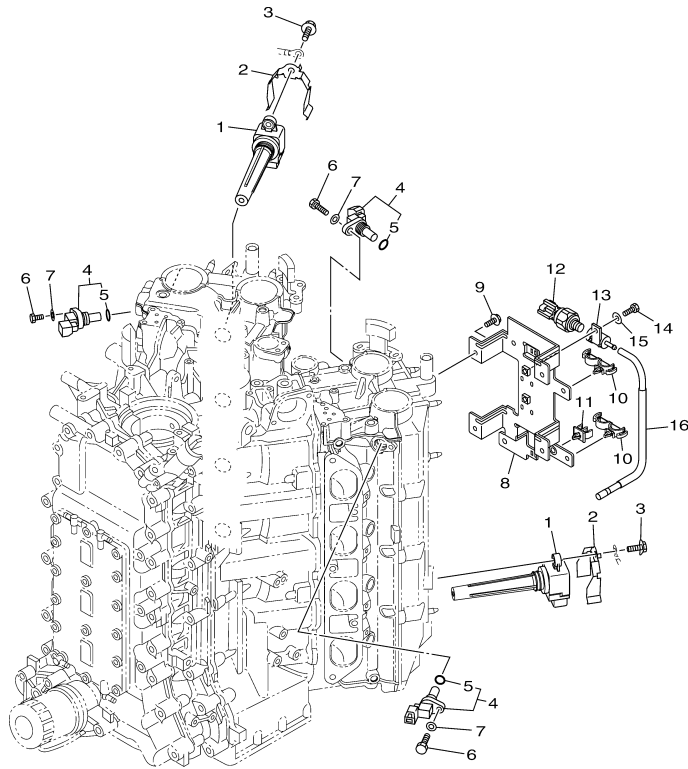
6AW6100-L190



## Part List

LF350XCB\_0112 / ELECTRICAL 2

REF - NO	PART NUMBER	PART NAME	QUANTITY	REMARKS
1	6AW-81950-00-00	RELAY ASSY	1	
2	97595-06610-00	BOLT, WITH WASHER	2	
3	97013-06020-00	BOLT	2	
4	92903-06600-00	WASHER, PLATE	2	
5	6G5-82119-10-00	COVER, LEAD WIRE	2	
6	6AW-8194A-00-00	RELAY	1	
7	68V-81953-00-00	STAY, RELAY	1	
8	97780-60620-00	SCREW, TAPPING	1	
9	97595-06610-00	BOLT, WITH WASHER	2	
10	6G5-82119-00-00	COVER, LEAD WIRE	2	
11	6AW-81952-00-00	HOLDER, RELAY	1	
12	90464-12183-00	CLAMP	1	
13	90464-11121-00	CLAMP	1	
14	6A0-82317-00-00	DAMPER, IGNITION COIL	4	
15	90387-06119-00	COLLAR	4	
16	90119-06M59-00	BOLT, WITH WASHER	4	
17	6AW-81942-00-00	COVER	1	
18	95895-06016-00	BOLT, FLANGE	3	
19	6AW-82170-01-00	FUSE BOX ASSY	1	
20	6P2-82151-00-00	.FUSE (60A)	3	
21	67F-82151-00-00	.FUSE (20A)	2	
22	67F-82151-10-00	.FUSE (30A)	3	
23	67F-82151-40-00	.FUSE (10A)	3	
24	67F-82151-50-00	.FUSE (15A)	3	
25	67F-2812A-00-00	.PULLER, FUSE	1	
26	68F-82846-00-00	.SCREW, PAN HEAD (M5)	4	
27	6P2-82113-00-00	.SCREW	4	
28	6P2-81639-00-00	.RELAY COVER	1	
29	6P2-85544-00-00	.CASE	1	
30	68F-8195A-00-00	.RELAY ASSY	5	
31	97780-50620-00	SCREW, TAPPING	4	
32	6AW-82171-00-00	STAY, FUSE BOX	1	
33	6A0-82317-00-00	DAMPER, IGNITION COIL	3	
34	90387-06119-00	COLLAR	3	
35	90119-06M59-00	BOLT, WITH WASHER	3	
36	6AW-82572-00-00	GROMMET 1	1	
37	6AW-82573-00-00	GROMMET 2	1	
38	6AW-81948-00-00	BRACKET	1	
39	95895-06020-00	BOLT, FLANGE	4	
40	6AW-81678-00-00	CLAMP 2	1	
41	90464-11121-00	CLAMP	1	
42	6AW-81443-00-00	CLAMP, LEAD 1	1	
43	97780-50514-00	SCREW, TAPPING	1	
44	90465-11M10-00	CLAMP	2	
45	90464-09008-00	CLAMP	1	
46	6AW-81919-20-00	GRAPHIC, REGULATOR	1	
47	6AW-81919-31-00	GRAPHIC, REGULATOR	1	

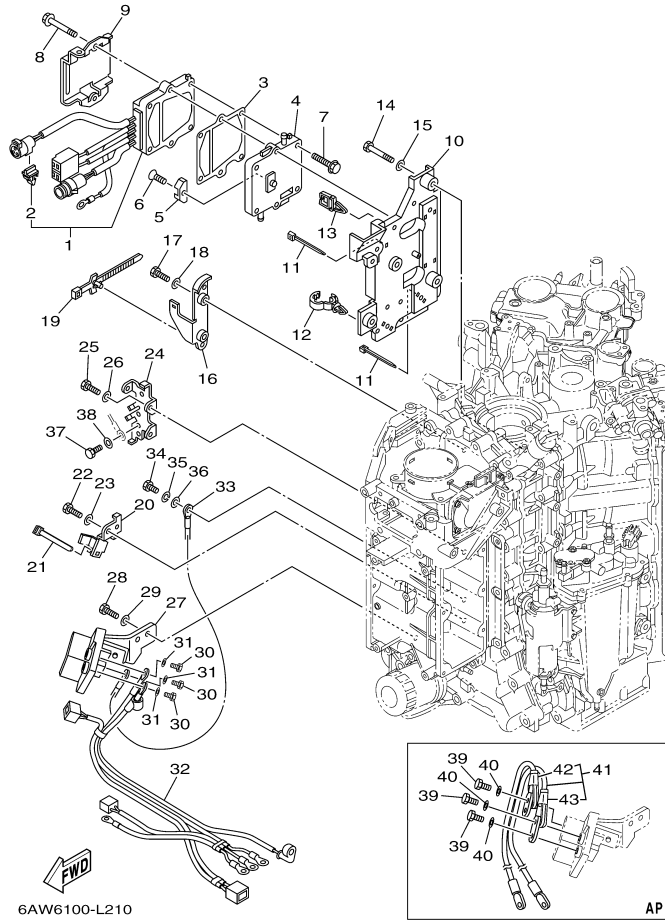


6AW6100-L200

## Part List

LF350XCB\_0112 / ELECTRICAL 3

REF - NO	PART NUMBER	PART NAME	QUANTITY	REMARKS
1	6CB-82310-00-00	IGNITION COIL ASSY	8	
2	6AW-81539-00-00	PLATE, COIL	8	
3	95895-06025-00	BOLT, FLANGE	8	
4	6P2-85896-00-00	SENSOR, CAM POSITION	3	
5	6P2-85075-00-00	.O-RING	1	
6	97095-06020-00	BOLT	3	
7	92995-06600-00	WASHER	3	
8	6AW-8366G-10-00	BRACKET 3	1	
9	95895-06016-00	BOLT, FLANGE	4	
10	90464-18246-00	CLAMP	2	
11	90464-07009-00	CLAMP	1	
12	6AW-8366B-00-00	.SENSOR, WATER PRESSURE	1	
13	60V-8366D-00-00	.ADAPTOR, INPUT	1	
14	97095-06016-00	BOLT	1	
15	92995-06600-00	WASHER	1	
16	6AW-82353-10-00	HOSE	1	




Part List

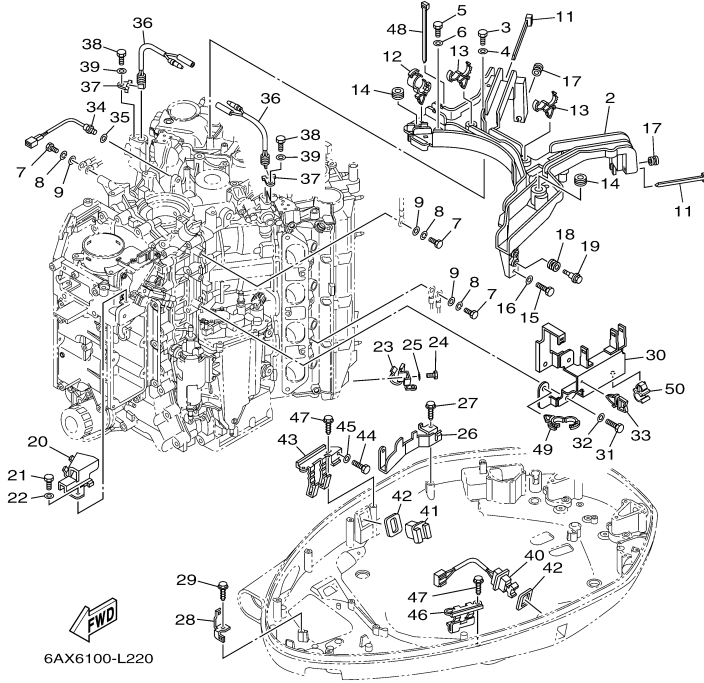
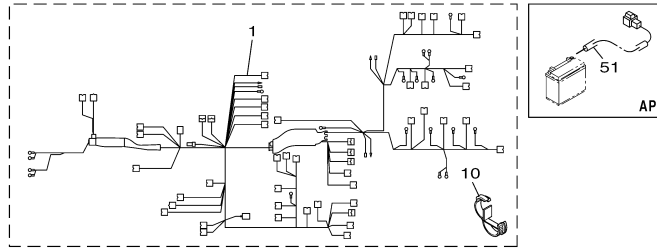
LF350XCB\_0112 / ELECTRICAL 4

REF - NO	PART NUMBER	PART NAME	QUANTITY	REMARKS
1	6AW-81960-01-00	RECTIFIER & REGULATOR ASSY	1	
2	90464-12002-00	.CLAMP	1	
3	6AW-81975-00-00	PLATE, RECTIFIER FITTING	1	
4	6AW-81972-00-9S	COVER, RECTIFIER	1	
5	6E5-11325-00-00	ANODE	1	
6	98780-04015-00	SCREW, FLAT HEAD	1	
7	90119-06MA3-00	BOLT, WITH WASHER	4	
8	90119-06MA5-00	BOLT, WITH WASHER	2	
9	6AW-82581-00-00	STAY, CORD CLAMP	1	
10	6AW-8235A-00-00	CASE 1	1	
11	90465-14M66-00	CLAMP	5	
12	90464-13249-00	CLAMP	1	
13	90464-11121-00	CLAMP	1	
14	97095-06016-00	BOLT	4	
15	92995-06600-00	WASHER	4	
16	6AW-83614-01-00	BRACKET	1	
17	97095-06014-00	BOLT	2	
18	92995-06600-00	WASHER	2	
19	90464-44002-00	CLAMP	2	
20	6AW-81328-00-00	CLAMP	1	
21	90465-14M66-00	CLAMP	1	
22	97095-06016-00	BOLT	1	
23	92995-06600-00	WASHER	1	
24	6AW-81218-00-00	TERMINAL	1	
25	97095-06016-00	BOLT	2	
26	92995-06600-00	WASHER	2	
27	6AW-81925-01-00	TERMINAL	1	
28	97095-08020-00	BOLT	2	
29	92995-08600-00	WASHER	2	
30	90101-08022-00	.BOLT	3	
31	92990-08600-00	WASHER, PLATE	3	
32	6AW-8259M-00-00	WIRE HARNESS ASSY 2	1	
33	6AW-82117-01-00	WIRE, LEAD	1	
34	97095-06016-00	BOLT	1	
35	92995-06100-00	WASHER, SPRING	1	
36	92995-06600-00	WASHER	1	
37	97095-06010-00	BOLT	4	
38	92995-06600-00	WASHER	4	
39	97095-08016-00	BOLT	3	AP
40	92995-08600-00	WASHER	3	AP
41	6AW-82105-00-00	WIRE HARNESS	1	AP
42	6AW-82119-00-00	.COVER, LEAD WIRE	1	
43	6AW-82119-20-00	.COVER, LEAD WIRE	1	

Part Notes

LF350XCB\_0112 / ELECTRICAL 4

PART NUMBER	NOTE TEXT
92995-06100-00 	OEM: This part number is among the Top 100 Most Popular Marine Maintenance Parts as of February 2013.



6AX6100-L220





Part List

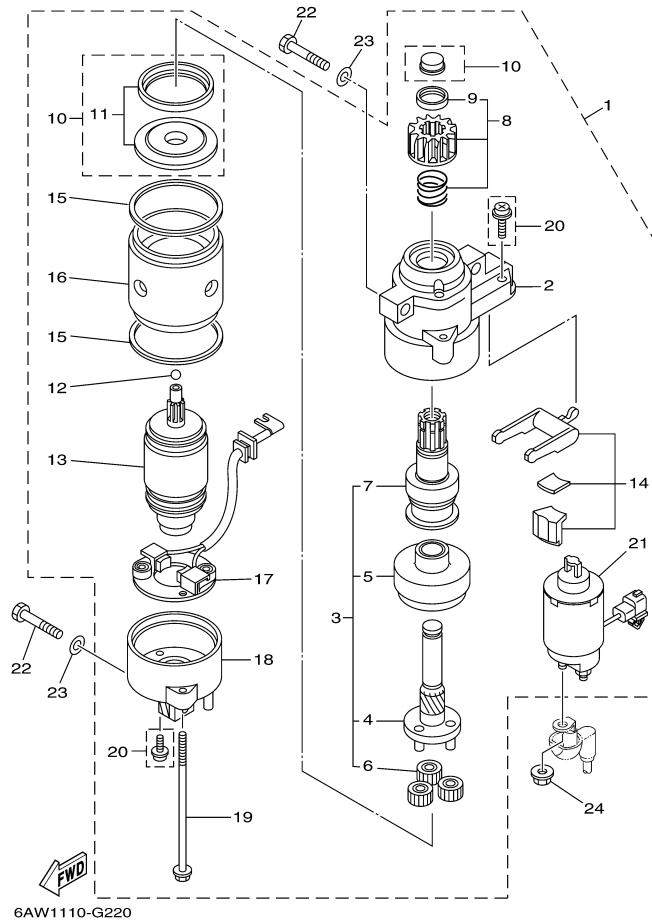
LF350XCB\_0112 / ELECTRICAL 5

REF - NO	PART NUMBER	PART NAME	QUANTITY	REMARKS
1	6AW-82590-20-00	WIRE HARNESS ASSY	1	
2	6AW-82589-01-00	PROTECTOR, WIRE HARNESS	1	
3	97095-06035-00	BOLT	2	
4	92995-06600-00	WASHER	2	
5	97095-06025-00	BOLT	1	
6	92995-06600-00	WASHER	1	
7	97095-06016-00	BOLT	3	
8	92995-06100-00	WASHER, SPRING	3	
9	92995-06600-00	WASHER	3	
10	90464-25005-00	CLAMP	1	
11	90465-13M18-00	CLAMP	2	
12	90464-20181-00	CLAMP	1	
13	90464-18246-00	CLAMP	2	
14	90480-19368-00	GROMMET	2	
15	97095-06012-00	BOLT	1	
16	92995-06600-00	WASHER	1	
17	90480-12314-00	GROMMET	2	
18	90480-12314-00	GROMMET	2	
19	90109-06MA1-00	BOLT	2	
20	6AW-82388-00-00	PLATE	1	
21	97095-06014-00	BOLT	1	
22	92995-06600-00	WASHER	1	
23	6AW-81677-00-00	CLAMP 1	1	
24	97095-06014-00	BOLT	1	
25	92995-06600-00	WASHER	1	
26	6AW-8257G-00-00	CLAMP, CORD	1	
27	90109-06M86-00	BOLT	1	
28	6AW-42743-00-00	BRACKET	1	
29	90109-06M86-00	BOLT	1	
30	6AW-81845-10-00	PLATE	1	
31	97095-06014-00	BOLT	2	
32	92995-06600-00	WASHER	2	
33	90464-11121-00	CLAMP	1	
34	61A-85790-00-00	THERMOSENSOR ASSY	1	
35	92990-10600-00	WASHER, PLATE	1	
36	6AW-82560-00-00	THERMO SWITCH ASSY	2	
37	6E9-82588-00-00	PLATE	2	
38	97095-06016-00	BOLT	2	
39	92995-06600-00	WASHER	2	
40	6AW-82563-00-00	TRIM & TILT SWITCH ASSY	1	
41	69J-42723-01-00	COVER, BOTTOM	1	
42	69J-82587-00-00	GASKET	2	
43	6AX-83614-00-00	BRACKET	1	
44	97095-06014-00	BOLT	1	
45	92995-06600-00	WASHER	1	
46	63P-83614-01-00	BRACKET	1	
47	90109-06M86-00	BOLT	4	
48	90465-14M66-00	CLAMP	1	
49	90464-20181-00	CLAMP	2	
50	90464-08051-00	CLAMP	2	
51	69J-81949-02-00	WIRE, LEAD (ISOLATOR, 3.8M )	1	AP

Part Notes

LF350XCB\_0112 / ELECTRICAL 5

PART NUMBER	NOTE TEXT
92995-06100-00 	OEM: This part number is among the Top 100 Most Popular Marine Maintenance Parts as of February 2013.
90480-12314-00 	OEM: See Remarks Column: GROMMET used on F115TLR and F/LF115TXR 0510 Production and Later
90480-12314-00 	OEM: See Remarks Column: GROMMET used on F115TLR and F/LF115TXR 0510 Production and Later
92990-10600-00 	OEM: This part number is among the Top 100 Most Popular Marine Maintenance Parts as of February 2013.



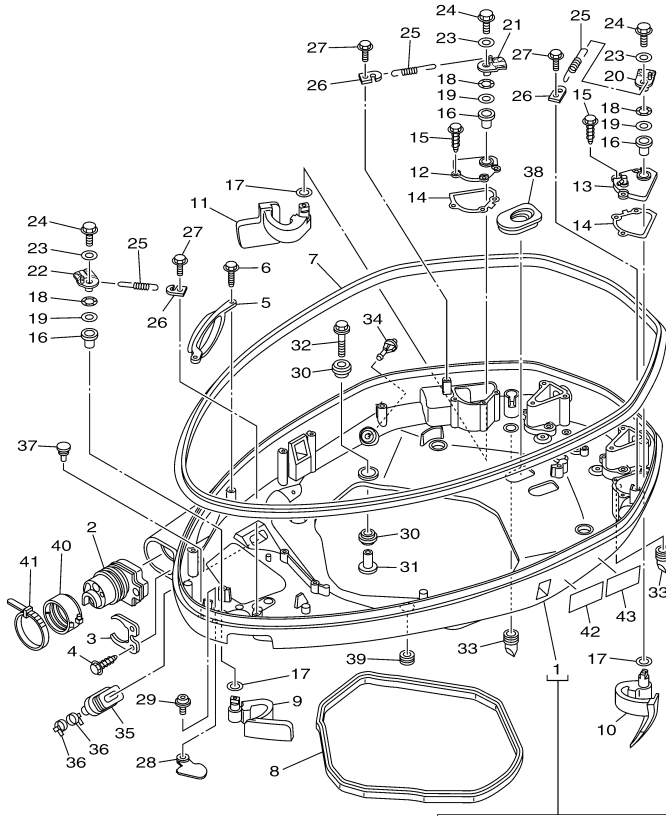
6AW1110-G220



## Part List

LF350XCB\_0112 / STARTING MOTOR

REF - NO	PART NUMBER	PART NAME	QUANTITY	REMARKS
1	6AW-81800-00-00	STARTING MOTOR ASSY	1	
2	6AW-81830-00-00	.FRONT BRACKET ASSY	1	
3	6AW-81807-00-00	.GEAR ASSY, STARTING MOTOR	1	
4	6AW-81836-00-00	..SHAFT, PINION	1	
5	6AW-81891-00-00	..GEAR, RING	1	
6	6AW-8183T-00-00	..GEAR, IDLER	3	
7	6AW-81832-00-00	..CLUTCH, OVER RUN	1	
8	6AW-81808-00-00	.PINION ASSY	1	
9	6AW-81857-00-00	..RETAINER	1	
10	6AW-81862-00-00	.CAP	1	
11	6AW-8183R-00-00	..PACKING SET	1	
12	6AW-81854-00-00	.BALL, STEEL	1	
13	6AW-81850-00-00	.ARMATURE ASSY	1	
14	6AW-81839-00-00	.LEVER ASSY	1	
15	6AW-81842-00-00	.PACKING	2	
16	6AW-81810-00-00	.STATOR ASSY	1	
17	6AW-81840-00-00	.BRUSH HOLDER ASSY	1	
18	6AW-81820-00-00	.REAR BRACKET ASSY	1	
19	6AW-81826-00-00	.BOLT	1	
20	6AW-81846-00-00	.SCREW	1	
21	6AW-81941-00-00	.STARTER RELAY ASSY	1	
22	97013-08045-00	BOLT	3	
23	92903-08600-00	WASHER, PLATE	3	
24	90179-08003-00	NUT	1	



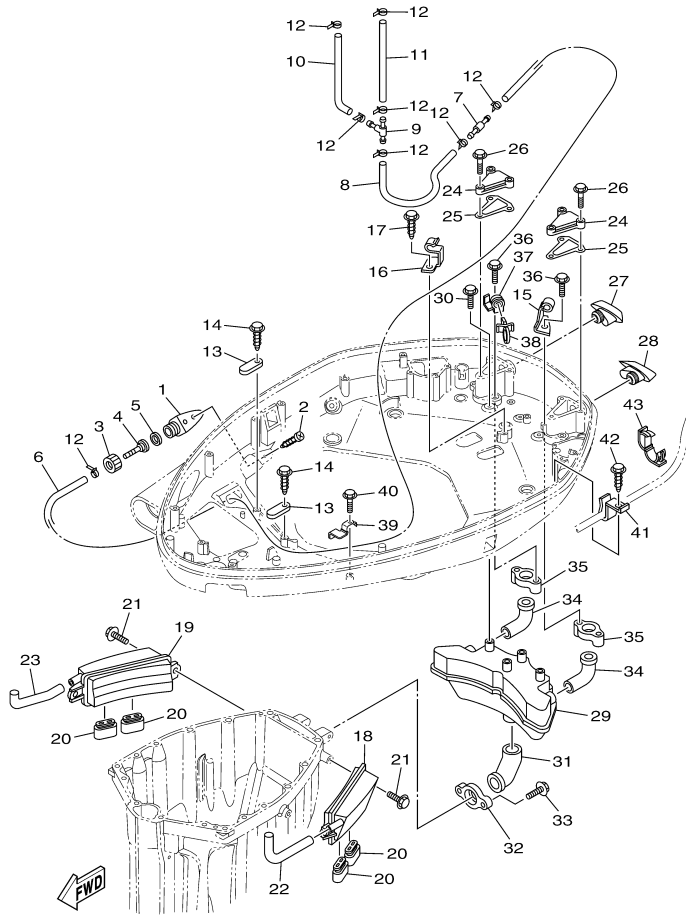
6AX6100-L240

Fig. 6, CYLINDER & CRANKCASE 4  
 Ref. No. 12  
 Fig. 22, ELECTRICAL 5  
 Ref. No. 27, 29, 47  
 Fig. 24, BOTTOM COWLING 1  
 Ref. No. 4, 6, 15, 27  
 Fig. 25, BOTTOM COWLING 2  
 Ref. No. 14, 17, 26, 40, 42

## Part List

LF350XCB\_0112 / BOTTOM COWLING 1

REF - NO	PART NUMBER	PART NAME	QUANTITY	REMARKS
1	6AW-42710-01-8D	BOTTOM COWLING ASSY	1	
2	6AW-42725-01-00	GROMMET	1	
3	6AW-42761-00-00	STOPPER	1	
4	90109-06M86-00	BOLT	2	
5	6AW-42735-00-00	PROTECTOR	1	
6	90109-06M86-00	BOLT	2	
7	6AW-42615-00-00	SEAL	1	
8	63P-42716-00-00	RUBBER, SEAL 1	1	
9	6AW-42815-00-8D	LEVER, CLAMP	1	
10	6AW-42816-01-8D	LEVER, CLAMP	1	
11	6AW-42817-01-8D	LEVER, CLAMP	1	
12	6AW-42828-00-9S	PLATE, CLAMP	1	
13	6AW-42829-00-9S	PLATE, CLAMP 2	1	
14	6AW-42722-00-00	GASKET 2	2	
15	90109-06M81-00	BOLT	6	
16	90381-15002-00	BUSH, SOLID	3	
17	90202-15M37-00	WASHER, PLATE	3	
18	90206-15M18-00	WASHER, WAVE	3	
19	90201-156J2-00	WASHER, PLATE	3	
20	6AW-42818-01-00	LEVER, CLAMP	1	
21	6AW-42819-01-00	LEVER, CLAMP	1	
22	6AW-4281A-01-00	LEVER, CLAMP 6	1	
23	90201-06M30-00	WASHER, PLATE	3	
24	90105-06155-00	BOLT, FLANGE	3	
25	90506-22001-00	SPRING, TENSION	3	
26	66T-43144-00-00	HOOK, SPRING	3	
27	90109-06M86-00	BOLT	3	
28	6AW-42851-00-00	COVER, CLAMP	1	
29	90111-06094-00	BOLT,HEX. SOCKET BUTTON	1	
30	90480-22M81-00	GROMMET	12	
31	90387-08M37-00	COLLAR	6	
32	90119-08M22-00	BOLT, WITH WASHER	6	
33	61A-42717-00-00	RUBBER, SEAL 2	2	
34	6P2-44391-00-00	NIPPLE, HOSE	1	
35	6H1-42726-21-00	GROMMET	1	
36	90465-11M10-00	CLAMP	2	
37	6H4-42748-00-00	GROMMET	1	
38	6AW-42726-00-00	GROMMET	2	
39	90480-16007-00	GROMMET	1	
40	68F-42753-00-00	FASTNER	1	AP
41	90464-20258-00	CLAMP	1	AP
42	6AH-42794-40-00	LABEL, WARNING (GENERAL)	1	
43	6AH-42794-50-00	LABEL, WARNING (GENERAL)	1	

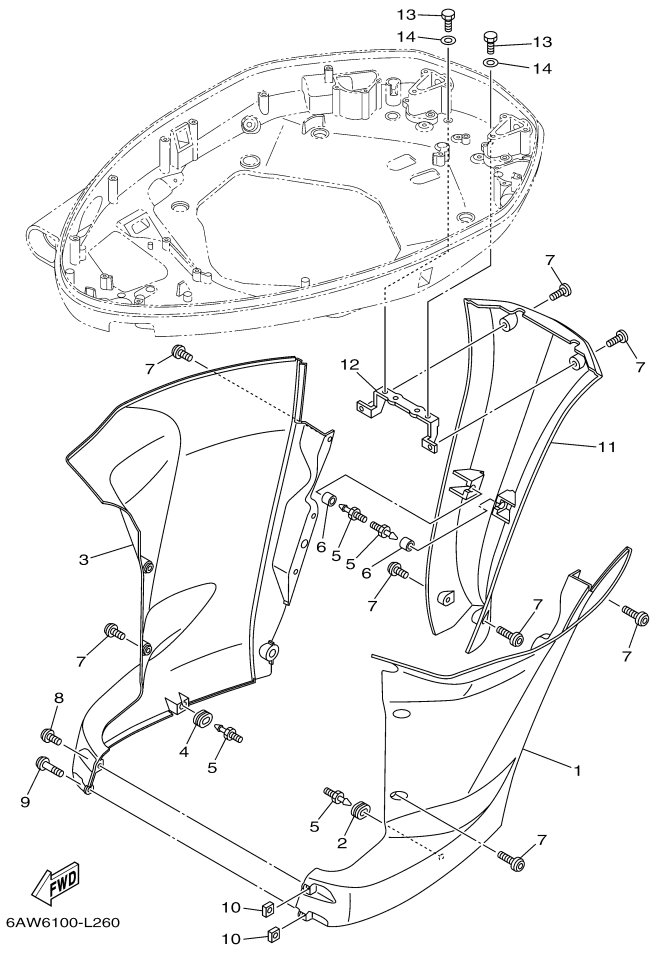


6AX6100-L250

## Part List

LF350XCB\_0112 / BOTTOM COWLING 2

REF - NO	PART NUMBER	PART NAME	QUANTITY	REMARKS
1	6AW-12572-00-00	ADAPTER	1	
2	97780-60520-00	SCREW, TAPPING	2	
3	6R3-12581-00-00	JOINT, HOSE 1	1	
4	6AW-12582-00-00	JOINT, HOSE 2	1	
5	6R3-12583-00-00	GASKET, HOSE JOINT	1	
6	90445-14015-00	HOSE (L1520)	1	
7	6AW-42785-00-00	PIPE	1	
8	90445-14013-00	HOSE (L480)	1	
9	6AW-42169-00-00	JOINT	1	
10	66V-24314-00-00	PIPE 4	1	
11	90445-116J1-00	HOSE (L185)	1	
12	90465-11M10-00	CLAMP	8	
13	6E5-82588-00-00	PLATE	2	
14	90109-06M81-00	BOLT	2	
15	90465-08M82-00	CLAMP	1	
16	6AW-42744-00-00	STAY	1	
17	90109-06M86-00	BOLT	1	
18	6AW-42733-00-00	BOX, DRAIN	1	
19	6AW-42734-00-00	BOX, DRAIN 2	1	
20	69J-42717-00-00	RUBBER, SEAL 2	4	
21	95895-06016-00	BOLT, FLANGE	4	
22	6AW-42786-00-00	HOSE, DRAIN 1	1	
23	6AW-42787-00-00	HOSE, DRAIN 2	1	
24	6AW-42723-00-9S	COVER, BOTTOM	2	
25	6AW-42721-00-00	GASKET 1	2	
26	90109-06M81-00	BOLT	6	
27	6AW-42769-00-00	SEAL, RUBBER	1	
28	6AW-42629-00-00	SEAL	1	
29	6AW-14750-00-00	SILENCER ASSY	1	
30	95875-06016-00	BOLT, FLANGE	4	
31	6AW-1475E-00-00	PIPE 2	1	
32	6AW-14763-00-00	SPACER	1	
33	95875-06025-00	BOLT, FLANGE	2	
34	6AW-1475F-00-00	PIPE 3	2	
35	6AW-14764-00-CA	SPACER	2	
36	95875-06016-00	BOLT, FLANGE	4	
37	6AW-8339X-00-00	CLAMP, CORD	1	
38	90464-12001-00	CLAMP	1	
39	6AW-42767-00-00	BRACKET	1	
40	90109-06M86-00	BOLT	1	
41	6AX-8257G-00-00	CLAMP, CORD	1	
42	90109-06M86-00	BOLT	1	
43	90464-18001-00	CLAMP	2	




Part List

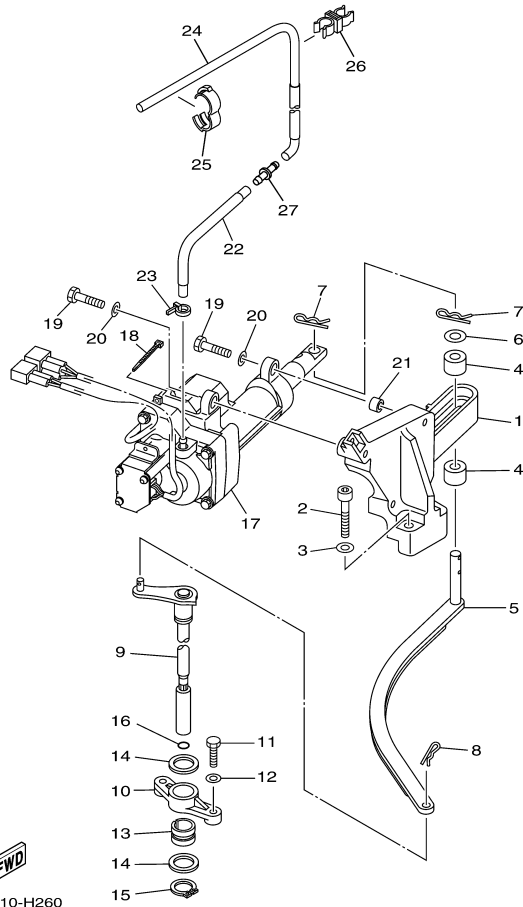
LF350XCB\_0112 / BOTTOM COWLING 3

REF - NO	PART NUMBER	PART NAME	QUANTITY	REMARKS
1	6AW-42741-00-8D	APRON	1	
2	90480-14M17-00	GROMMET	1	
3	6AW-42771-00-8D	APRON	1	
4	90480-14M17-00	GROMMET	1	
5	69J-42774-10-00	STAY, APRON 1	4	
6	90386-07001-00	BUSH	2	
7	90111-06111-00	BOLT,HEX. SOCKET BUTTON	14	
8	90111-06111-00	BOLT,HEX. SOCKET BUTTON	1	
9	90111-06113-00	BOLT,HEX. SOCKET BUTTON	1	
10	90173-06001-00	NUT, SQUARE	2	
11	6AW-45151-01-8D	COVER, UPPER CASING	1	
12	6AW-42775-00-00	STAY, APRON 2	1	
13	97095-06014-00	BOLT	2	
14	92995-06600-00	WASHER	2	

Part Notes

LF350XCB\_0112 / BOTTOM COWLING 3

PART NUMBER	NOTE TEXT
90173-06001-00 	OEM: This part number is among the Top 100 Most Popular Marine Maintenance Parts as of February 2013.



6BJ2110-H260




Part List

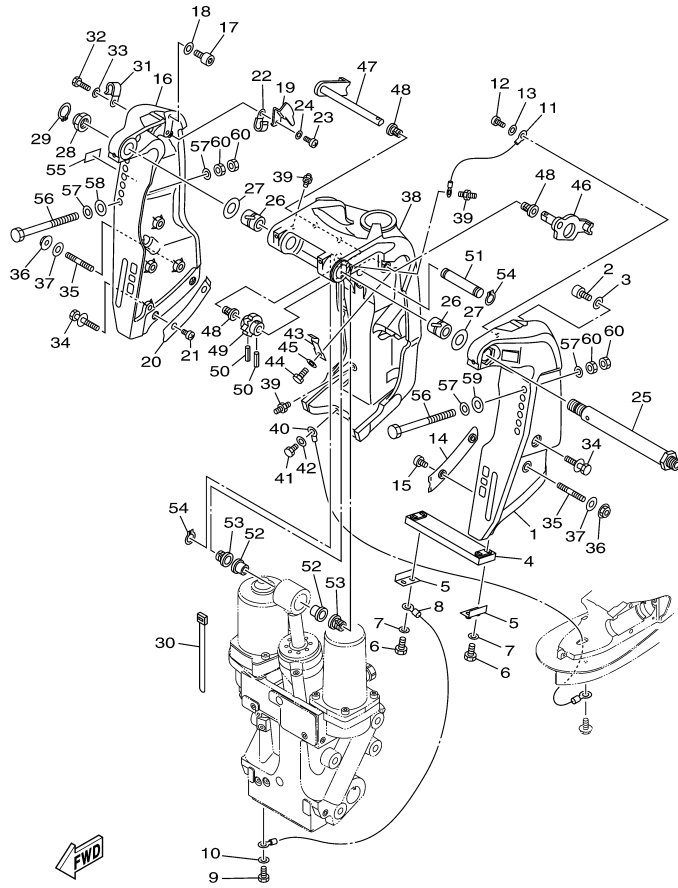
LF350XCB\_0112 / CONTROL

REF - NO	PART NUMBER	PART NAME	QUANTITY	REMARKS
1	6AW-44176-00-00	BRACKET	1	
2	90110-08085-00	BOLT, HEXAGON SOCKET HEAD	2	
3	92990-08600-00	WASHER, PLATE	2	
4	6AW-44122-00-00	BUSHING, SHIFT ROD LEVER	2	
5	6AW-44121-00-00	LEVER, SHIFT ROD	1	
6	90201-11008-00	WASHER, PLATE	1	
7	90468-180A0-00	CLIP	2	
8	90468-18008-00	CLIP	1	
9	6AW-44120-00-00	HANDLE GEAR SHIFT ASSY	1	X(25.1")
10	6AW-44118-00-00	BRACKET	1	
11	97095-06025-00	BOLT	2	
12	92995-06600-00	WASHER	2	
13	90380-19001-00	BUSH, SOLID	1	
14	90202-19001-00	WASHER, PLATE	2	
15	93410-19088-00	CIRCLIP	1	
16	93210-09165-00	O-RING	1	
17	6AW-4820A-11-00	ACTUATOR UNIT	1	
18	90465-11M10-00	CLAMP	1	
19	97080-08030-00	BOLT	4	
20	92900-08600-00	WASHER	4	
21	90387-08M31-00	COLLAR	2	
22	6AW-24314-10-00	PIPE 4	1	
23	90465-11M10-00	CLAMP	1	
24	6AW-24314-00-00	PIPE 4	1	
25	90464-16001-00	CLAMP	1	
26	90464-10M59-00	CLAMP	1	
27	6G8-24376-00-00	PIPE, JOINT 1	1	

Part Notes

LF350XCB\_0112 / CONTROL

PART NUMBER	NOTE TEXT
90468-18008-00 	OEM: This part number is among the Top 100 Most Popular Marine Maintenance Parts as of February 2013.



6AW4100-K280


## Part List

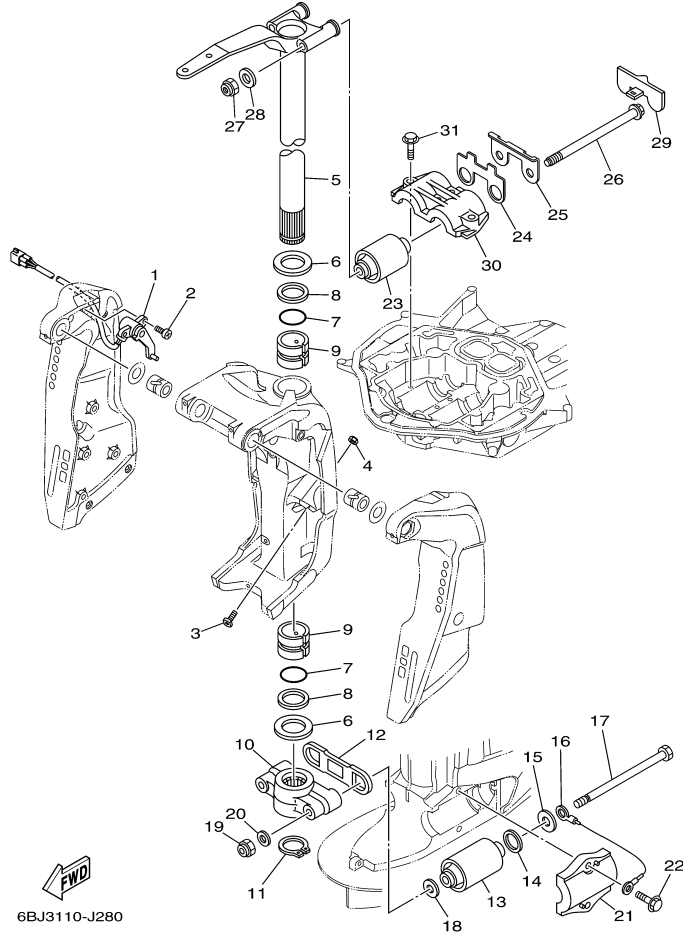
LF350XCB\_0112 / BRACKET 1

REF - NO	PART NUMBER	PART NAME	QUANTITY	REMARKS
1	6AW-43111-00-8D	BRACKET, CLAMP 1	1	
2	91314-10020-00	BOLT, HEXAGON SOCKET HEAD	1	
3	90201-10049-00	WASHER, PLATE	1	
4	6AW-45251-00-00	ANODE	1	
5	6G5-44526-00-00	PLATE	2	
6	97095-06030-00	BOLT	4	
7	92995-06600-00	WASHER	4	
8	6H1-82148-00-00	WIRE, LEAD 4	1	
9	97095-06010-00	BOLT	1	
10	92995-06600-00	WASHER	1	
11	6H1-82148-00-00	WIRE, LEAD 4	1	
12	97885-06012-00	SCREW, PAN HEAD	1	
13	92995-06600-00	WASHER	1	
14	61A-43132-00-00	WASHER, FRICTION	1	
15	97885-06010-00	SCREW, PAN HEAD	2	
16	6AW-43112-00-8D	BRACKET, CLAMP 2	1	
17	91314-10020-00	BOLT, HEXAGON SOCKET HEAD	1	
18	90201-10049-00	WASHER, PLATE	1	
19	6AW-43113-00-00	PLATE, CLAMP BRACKET	1	
20	61A-43133-00-00	WASHER,FRICTION	1	
21	97885-06010-00	SCREW, PAN HEAD	2	
22	90465-08M83-00	CLAMP	1	
23	97885-06012-00	SCREW, PAN HEAD	1	
24	92995-06600-00	WASHER	1	
25	6R3-43131-10-00	BOLT, CLAMP BRACKET	1	
26	90386-25003-00	BUSH	2	
27	90201-26014-00	WASHER, PLATE	2	
28	90185-22007-00	NUT, SELF-LOCKING	1	
29	93410-21089-00	CIRCLIP	1	
30	90465-11M10-00	CLAMP	3	
31	90465-08M83-00	CLAMP	1	
32	97095-06014-00	BOLT	1	
33	92995-06600-00	WASHER	1	
34	90119-10039-00	BOLT, WITH WASHER	6	
35	90116-10047-00	BOLT, STUD	2	
36	95780-10300-00	NUT, FLANGE	2	
37	90201-10048-00	WASHER, PLATE	2	
38	6AW-43311-00-8D	BRACKET, SWIVEL 1	1	
39	93700-06M03-00	NIPPLE, GREASE	3	
40	6E5-82147-00-00	WIRE, LEAD 5	1	
41	97095-06010-00	BOLT	1	
42	92995-06600-00	WASHER	1	
43	6AW-44116-00-00	SPRING	1	
44	97095-06010-00	BOLT	1	
45	92995-06600-00	WASHER	1	
46	6AW-43181-01-00	LEVER, TILT STOP 1	1	
47	6AW-43185-01-00	LEVER, TILT STOP 2	1	
48	90386-10M16-00	BUSH	3	
49	6AW-43148-00-00	COLLAR, DISTANCE	1	
50	91690-30020-00	PIN, SPRING	2	
51	6AW-43126-01-00	PIN, UPPER SHOCK MOUNT	1	
52	90386-18M63-00	BUSH	2	
53	90386-18M14-00	BUSH	2	
54	93410-18M05-00	CIRCLIP	2	
55	63V-82377-50-00	LABEL (SPARK,IGNITION)	1	
56	90101-12036-00	BOLT (170MM)	2	AP
56	90101-12031-00	BOLT (150MM)	6	
57	90201-12060-00	WASHER, PLATE	12	
58	90201-12426-00	WASHER, PLATE	2	
59	90201-13M19-00	WASHER, PLATE	4	
60	95380-12600-00	NUT	12	

## Part Notes

LF350XCB\_0112 / BRACKET 1

PART NUMBER		NOTE TEXT
93700-06M03-00		OEM: This part number is among the Top 100 Most Popular Marine Maintenance Parts as of February 2013.

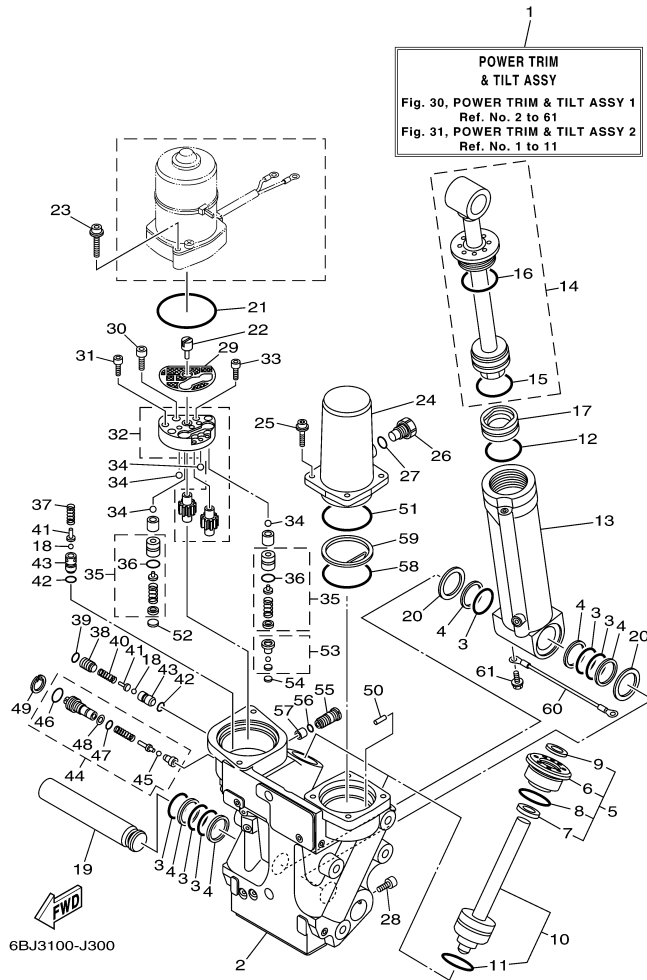


6BJ3110-J280

## Part List

LF350XCB\_0112 / BRACKET 2

REF - NO	PART NUMBER	PART NAME	QUANTITY	REMARKS
1	6AW-83672-00-00	TRIM SENDER	1	
2	97885-06016-00	SCREW, PAN HEAD	2	
3	6AW-43376-00-00	BOLT, THRUST RECEIVER	2	
4	95780-10300-00	NUT, FLANGE	2	
5	6AW-42510-01-8D	STEERING BRACKET ASSY	1	
6	90201-46008-00	WASHER, PLATE	2	
7	93210-43001-00	O-RING	2	
8	90202-45001-00	WASHER, PLATE	2	
9	90386-45002-00	BUSH	2	
10	6AW-44551-00-CA	HOUSING, LOWER MOUNT RUBBER 1	1	
11	93410-44087-00	CIRCLIP	1	
12	6AW-44575-00-00	DAMPER, LOWER MOUNT RUBBER	1	
13	6AW-44555-00-00	MOUNT DAMPER, LOWER SIDE	2	
14	90202-32M19-00	WASHER, PLATE	2	
15	90201-16016-00	WASHER, PLATE	2	
16	6AW-82149-00-00	WIRE, LEAD 3	1	
17	90101-14004-00	BOLT	2	
18	90201-15M58-00	WASHER, PLATE	2	
19	90185-14M00-00	NUT, SELF-LOCKING	2	
20	92995-14600-00	WASHER	2	
21	6AW-44552-00-CA	HOUSING, LOWER MOUNT RUBBER 2	2	
22	90119-10024-00	BOLT, WITH WASHER	4	
23	6AW-44514-01-94	MOUNT DAMPER, UPPER SIDE	2	
24	6AW-44532-00-00	STOPPER, UPPER MOUNT	1	
25	6AW-44526-00-00	PLATE	1	
26	90105-16003-00	BOLT, FLANGE	2	
27	90185-16008-00	NUT, SELF-LOCKING	2	
28	90201-16030-00	WASHER, PLATE	2	
29	6AW-44533-00-00	DAMPER, UPPER MOUNT RUBBER	1	
30	6AW-44511-01-CA	COVER, UPPER MOUNT	1	
31	90119-10024-00	BOLT, WITH WASHER	4	



## Part List


LF350XCB\_0112 / POWER TRIM TILT ASSY 1

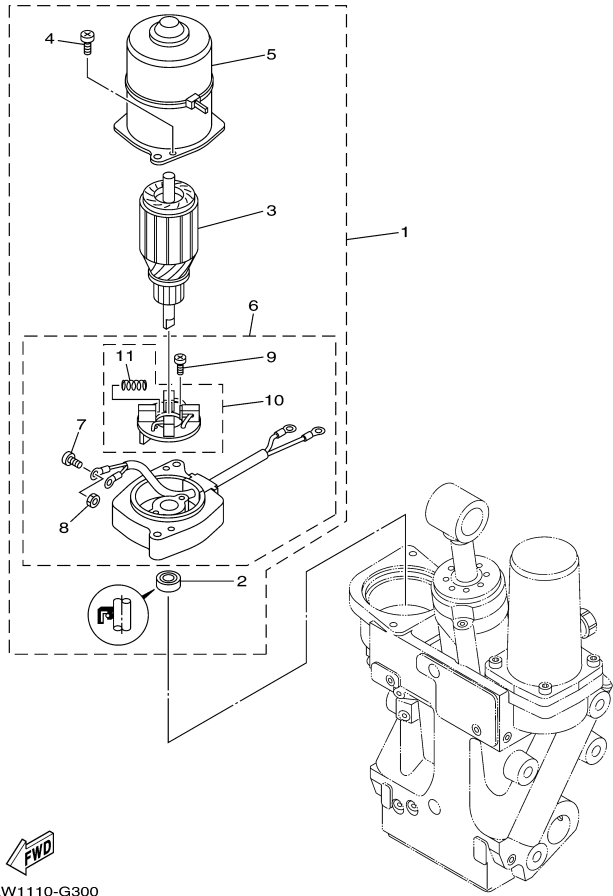
REF - NO	PART NUMBER	PART NAME	QUANTITY	REMARKS
1	6AW-43800-02-00	POWER TRIM & TILT ASSY	1	
2	6AW-43825-01-00	HOUSING, TRIM & TILT	1	
3	6AW-4389H-00-00	O-RING	6	
4	6AW-43871-00-00	RING, BACK UP	5	
5	6AW-4380R-00-00	CYLINDER END SUB ASSY	2	
6	6AW-43821-00-00	.SCREW, TRIM CYLINDER END	1	
7	6AW-4384J-00-00	.SEAL, TRIM DOWN	1	
8	6E5-43862-00-00	.O-RING	1	
9	6AW-43822-00-00	.SEAL, TRIM DUST	1	
10	6AW-43820-01-00	TRIM PISTON SUB ASSY	2	
11	6G5-43864-00-00	.O-RING	1	
12	6E5-43862-00-00	O-RING	1	
13	6AW-43813-00-00	CYLINDER, TILT	1	
14	6AW-43810-01-00	TILT PISTON SUB ASSY	1	
15	6E5-43862-00-00	.O-RING	1	
16	64E-43866-00-00	.O-RING	1	
17	6AW-43814-00-00	PISTON, FREE	1	
18	64E-43858-00-00	.BALL	2	
19	6AW-4381A-00-00	SHAFT	1	
20	6AW-4387G-00-00	WASHER	2	
21	64E-43868-00-00	O-RING	1	
22	64E-43831-00-00	CONNECTOR, SHAFT	1	
23	6AW-43879-00-00	SCREW, WITH WASHER	2	
24	6AW-43828-00-00	BODY, RESERVOIR	1	
25	6AW-43887-00-00	BOLT	4	
26	6AW-43829-00-00	PLUG, RESERVOIR	1	
27	6AW-43897-00-00	O-RING	1	
28	6AW-4388E-00-00	BOLT ,SCREW	1	
29	64E-43817-11-00	FILTER 2	1	
30	6AW-43878-00-00	BOLT, SOCKET	4	
31	6AW-43888-00-00	BOLT, SOCKET	3	
32	6AW-43830-00-00	GEAR PUMP ASSY	1	
33	6AW-43886-00-00	BOLT	1	
34	6AW-43858-00-00	.BALL	4	
35	6AW-43802-00-00	VALVE SUB ASSY	2	
36	6E5-43896-00-00	.O-RING	1	
37	6AW-43856-00-00	SPRING, DOWN RELIEF	1	
38	6AW-4388J-00-00	PLUG 2	1	
39	6AW-43869-00-00	O-RING	1	
40	6AW-4384H-00-00	SPRING	1	
41	6AW-43844-00-00	PIN, VALVE SUPPORT	2	
42	6G5-43863-00-00	.O-RING	2	
43	6AW-4382G-00-00	VALVE SEAT	2	
44	6AW-43860-01-00	MANUAL VALVE SUB-ASSY	1	
45	64E-43858-00-00	.BALL	1	
46	72X-85075-L0-00	.O-RING	1	
47	64E-4387A-00-00	.O-RING	1	
48	64E-43873-00-00	.RING, BACK UP	1	
49	6AW-43875-00-00	RING, SNAP	1	
50	6AW-4381G-00-00	PIN 1	1	
51	6AW-43861-00-00	O-RING	1	
52	6AW-43817-00-00	FILTER 2	1	
53	6AW-43809-00-00	SEAT VALVE COMP. 2	1	
54	64E-43816-00-00	.FILTER 1	1	
55	6AX-4388J-00-00	PLUG 2	1	
56	64E-43865-00-00	.O-RING	1	
57	6AW-4388H-00-00	PLUG	1	
58	6AW-4389J-00-00	O-RING	1	
59	6AW-43899-00-00	PLATE STOPPER	1	
60	6H1-82148-00-00	WIRE, LEAD 4	1	
61	97595-06510-00	BOLT, WITH WASHER	1	

## Part Notes

LF350XCB\_0112 / POWER TRIM TILT ASSY 1



PART NUMBER		NOTE TEXT
6G5-43864-00-00		OEM: This part number is among the Top 100 Most Popular Marine Maintenance Parts as of February 2013.

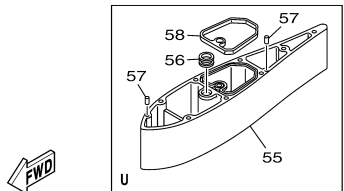
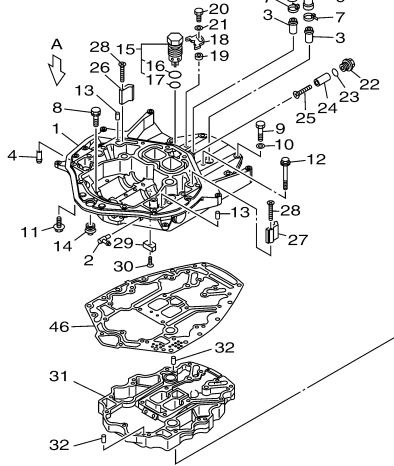
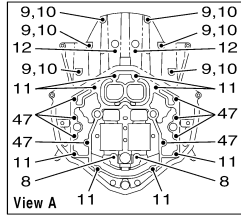


6AW1110-G300

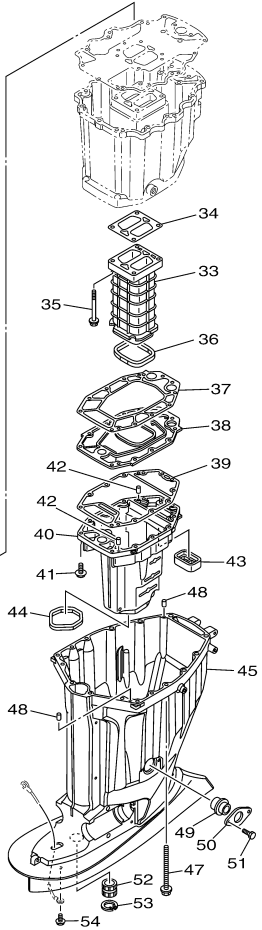
**Part List**

LF350XCB\_0112 / POWER TRIM TILT ASSY 2

<b>REF - NO</b>	<b>PART NUMBER</b>	<b>PART NAME</b>	<b>QUANTITY</b>	<b>REMARKS</b>
1	6AW-43880-01-00	MOTOR ASSY	1	
2	6AW-43882-00-00	.OIL SEAL	1	
3	6AW-43805-00-00	.ARMATURE ASSY	1	
4	6AW-43843-00-00	.SCREW	2	
5	6AW-43804-00-00	.STATOR ASSY	1	
6	6AW-43881-11-00	.FRAME, END	1	
7	6AX-43887-00-00	..BOLT	2	
8	6AW-43138-00-00	..NUT	2	
9	6AW-43842-00-00	..SCREW	2	
10	6AW-4380J-00-00	..HOLDER, BRUSH	1	
11	6AW-4386K-00-00	...SPRING, BRUSH	4	



6AW6100-L320




Part List

LF350XCB\_0112 / UPPER CASING

REF - NO	PART NUMBER	PART NAME	QUANTITY	REMARKS
1	6AW-41137-11-CA	GUIDE, EXHAUST	1	
2	6H1-11372-00-00	.NIPPLE, HOSE	1	
3	6AW-1475G-00-00	PIPE 4	2	
4	6AW-1475J-00-00	PIPE	2	
5	6AW-1244H-00-00	HOSE 5	1	
6	6AW-1243F-00-00	HOSE,3	1	
7	90465-11M59-00	CLAMP	4	
8	90119-08102-00	BOLT, WITH WASHER	2	
9	97075-10045-00	BOLT	6	
10	92995-10600-00	WASHER	6	
11	90119-10040-00	BOLT, WITH WASHER	8	
12	97575-10585-00	BOLT, WITH WASHER	2	
13	93608-16M16-00	PIN, DOWEL	2	
14	6AW-42724-00-00	GROMMET	1	
15	6AW-11371-10-00	PRESSURE CONTROL VALVE ASSY	1	
16	93210-347A1-00	.O-RING	1	
17	93210-28543-00	.O-RING	1	
18	69J-12233-00-00	PLATE, GUIDE STOPPER 1	1	
19	90387-06037-00	COLLAR	1	
20	97095-06020-00	BOLT	1	
21	92995-06600-00	WASHER	1	
22	6AW-11197-00-00	PLUG, BLIND	1	
23	93210-19758-00	O-RING	1	
24	6AW-1132S-00-00	ANODE 7	1	
25	98780-05550-00	SCREW, FLAT HEAD	1	
26	6AW-1132T-00-00	ANODE 8	1	
27	6AW-1132U-00-00	ANODE 9	1	
28	98780-05550-00	SCREW, FLAT HEAD	2	
29	63P-11325-11-00	.ANODE	1	
30	90151-06M02-00	SCREW, COUNTERSUNK	1	
31	6AW-41131-01-CA	MANIFOLD, EXT. 1	1	
32	93608-16M16-00	PIN, DOWEL	2	
33	6AW-41132-00-9S	MANIFOLD, EXHAUST	1	
34	6AW-41134-02-00	.GASKET, EXHAUST MANIFOLD	1	
35	90119-08117-00	BOLT, WITH WASHER	4	
36	6AW-41138-00-00	.SEAL, EXT. 1	1	
37	6AW-41135-00-00	.GASKET, EXHAUST MANIFOLD	1	
38	6AW-45181-01-9S	PLATE	1	
39	6AW-41136-00-00	.GASKET, EXHAUST MANIFOLD 4	1	
40	6AW-14711-00-9S	MUFFLER 1	1	
41	97575-08535-00	BOLT, WITH WASHER	12	
42	93606-19M23-00	PIN, DOWEL	2	
43	6AW-45127-00-00	.SEAL	1	
44	69J-45123-00-00	.GASKET, MUFFLER	1	
45	6AW-45111-10-8D	CASING, UPPER	1	
46	6AW-45113-00-00	.GASKET, UPPER CASING	1	
47	90119-10007-00	BOLT, WITH WASHER	8	
48	93608-16M16-00	PIN, DOWEL	2	
49	69J-15316-00-00	DAMPER 1	1	
50	69J-45152-10-00	COVER, UPPER CASING 2	1	
51	97095-06014-00	BOLT	2	
52	6AW-45318-00-00	BUSHING, DRIVE SHAFT	1	
53	93420-38091-00	CIRCLIP	1	
54	95895-06010-00	BOLT, FLANGE	1	

Part Notes

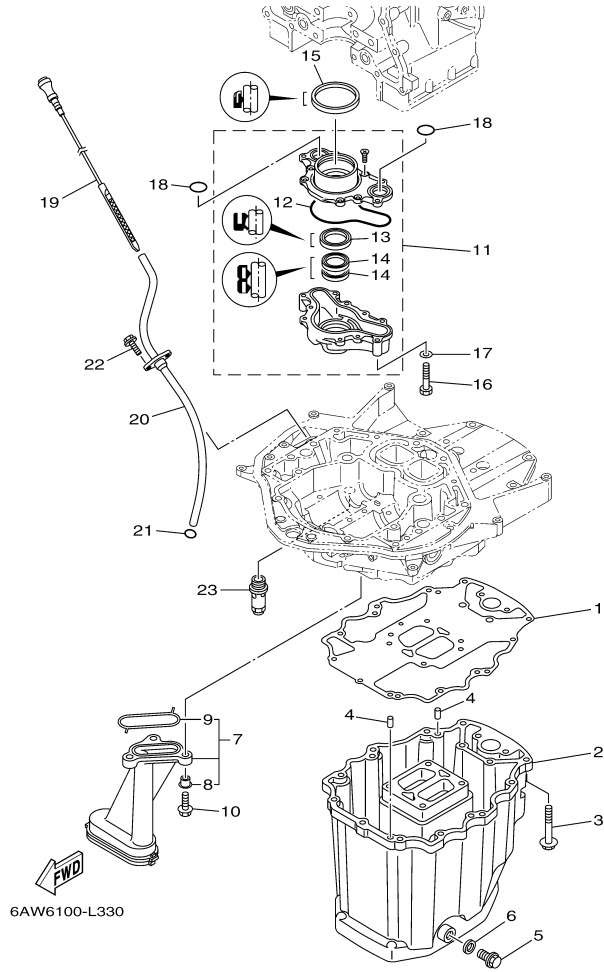
LF350XCB\_0112 / UPPER CASING

PART NUMBER	NOTE TEXT
6AW-11371-10-00	 OEM: If you are replacing damaged exhaust components on a 3.1L V6 Fourstroke, two kits have been developed to make choosing and ordering the correct parts easier. Ordering either MAR-EXHKT-03-00 (EXH KIT F200-225 for 2002-2003 models) or MAR-EXHKT-04-00 (EXH KIT F200-250 2004 models and up) will get you everything needed to rebuild the entire exhaust system.
69J-	OEM: If you are replacing damaged exhaust components on a 3.1L V6 Fourstroke, two kits have been developed to make choosing and ordering the correct parts easier.

45123-  
00-00



Ordering either MAR-EXHKT-03-00 (EXH KIT F200-225 for 2002-2003 models) or  
MAR-EXHKT-04-00 (EXH KIT F200-250 2004 models and up) will get you everything needed to rebuild the entire exhaust system.




Part List

LF350XCB\_0112 / OIL PAN

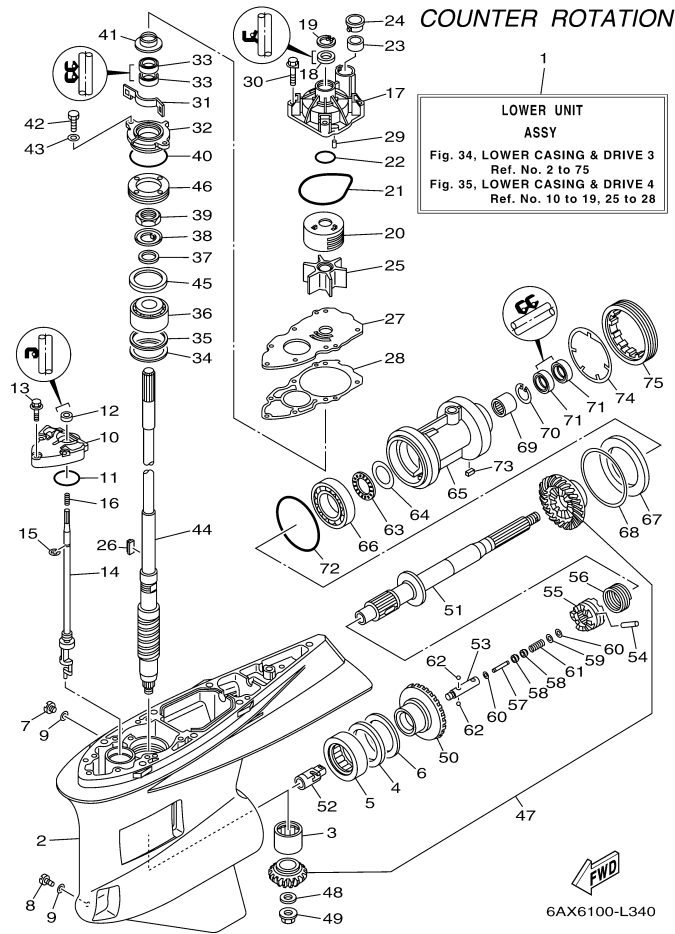
REF - NO	PART NUMBER	PART NAME	QUANTITY	REMARKS
1	6AW-15312-00-00	.GASKET, OIL PAN	1	
2	6AW-15311-00-CA	OIL PAN	1	
3	97575-08570-00	BOLT, WITH WASHER	13	
4	93608-16M16-00	PIN, DOWEL	2	
5	90340-14M06-00	PLUG, STRAIGHT SCREW	1	
6	90430-14M09-00	.GASKET	1	
7	6AW-13411-00-00	STRAINER, OIL	1	
8	90387-06263-00	.COLLAR	3	
9	6AW-13415-00-00	.SEAL, OIL STRAINER	1	
10	95812-06025-00	BOLT, FLANGE	3	
11	6AW-13300-02-00	OIL PUMP ASSY	1	
12	6CB-13329-00-00	.GASKET, PUMP COVER	1	
13	6AW-13119-00-00	.OIL SEAL	1	
14	6AW-13631-00-00	.OIL SEAL	2	
15	69J-11355-00-00	.SEAL, CYLINDER 1	1	
16	97075-06050-00	BOLT	4	
17	92995-06600-00	WASHER	4	
18	93210-26658-00	.O-RING	2	
19	6AW-15362-01-00	PLUG, OIL LEVEL	1	
20	6AW-15377-00-00	GUIDE, INLET	1	
21	93210-19MJ3-00	.O-RING	1	
22	95875-06016-00	BOLT, FLANGE	2	
23	6AW-13490-01-00	RELIEF VALVE ASSY	1	

Part Notes

LF350XCB\_0112 / OIL PAN

PART NUMBER	NOTE TEXT
90430-14M09-00 	OEM: This part number is among the Top 100 Most Popular Marine Maintenance Parts as of February 2013.





## Part List


LF350XCB\_0112 / LOWER CASING DRIVE 3

REF - NO	PART NUMBER	PART NAME	QUANTITY	REMARKS
1	6AX-45300-20-8D	LOWER UNIT ASSY	1	X(25.1"),LH
2	6AW-45311-01-8D	CASING, LOWER	1	
3	93311-93590-00	BEARING	1	
4	93340-67011-00	BEARING	1	
5	93390-00031-00	BEARING	1	
6	6AW-45567-00-00	SHIM (T:2.00MM)	1	UR
6	6AW-45567-10-00	SHIM (T:2.03MM)	1	UR
6	6AW-45567-50-00	SHIM (T:2.15MM)	1	UR
6	6AW-45567-30-00	SHIM (T:2.09MM)	1	UR
6	6AW-45567-40-00	SHIM (T:2.12MM)	1	UR
6	6AW-45567-20-00	SHIM (T:2.06MM)	1	UR
7	90340-08002-00	PLUG, STRAIGHT SCREW	1	
8	688-45341-10-00	PLUG, DRAIN	1	
9	90430-08020-00	.GASKET	2	
10	6AW-45321-00-00	PLATE	1	
11	93210-48214-00	.O-RING	1	
12	93101-12M70-00	.OIL SEAL	1	
13	90119-08M26-00	BOLT, WITH WASHER	3	
14	6AX-44150-00-00	SHIFT CAM ASSY	1	
15	99002-10600-00	CLIP	1	
16	90501-127J4-00	SPRING, COMPRESSION	1	
17	6AW-44311-00-00	HOUSING, WATER PUMP	1	
18	93109-24001-00	.OIL SEAL	1	
19	93420-35085-00	CIRCLIP	1	
20	6AW-44322-00-00	.INSERT, CARTRIDGE	1	
21	93210-94003-00	.O-RING	1	
22	93210-37160-00	.O-RING	1	
23	6AW-44365-00-00	.DAMPER, WATER SEAL 1	1	
24	6AW-44312-00-00	COVER, WATER PUMP HOUSING	1	
25	6AW-44352-00-00	.IMPELLER	1	
26	6AW-44336-00-00	.KEY	1	
27	6AW-44323-00-00	.OUTER PLATE, CARTRIDGE	1	
28	6AW-44315-00-00	.GASKET, WATER PUMP	1	
29	93606-12019-00	PIN, DOWEL	2	
30	90119-08M14-00	.BOLT, WITH WASHER	4	
31	6AW-45723-00-00	PLATE, SEAL	1	
32	6AW-45335-00-CA	HOUSING, OIL SEAL	1	
33	93101-28004-00	.OIL SEAL	2	
34	90201-68008-00	WASHER, PLATE	1	
35	6AW-45587-00-00	SHIM (T:0.10MM)	1	UR
35	6AW-45587-10-00	SHIM (T:0.12MM)	1	UR
35	6AW-45587-20-00	SHIM (T:0.15MM)	1	UR
35	6AW-45587-60-00	SHIM (T:0.50MM)	1	UR
35	6AW-45587-40-00	SHIM (T:0.30MM)	1	UR
35	6AW-45587-50-00	SHIM (T:0.40MM)	1	UR
35	6AW-45587-30-00	SHIM (T:0.18MM)	1	UR
36	93399-99962-00	BEARING	1	
37	90201-301U7-00	WASHER, PLATE	1	
38	90214-30003-00	WASHER, CLAW	1	
39	90170-30M18-00	NUT	1	
40	93210-69MG6-00	.O-RING	1	
41	6AW-45344-00-00	COVER, OIL SEAL	1	
42	97095-08020-00	BOLT	2	
43	92995-08600-00	WASHER	2	
44	6AW-45501-00-00	DRIVE SHAFT COMP.	1	X(25.1")
45	6T5-45539-00-00	SPACER 2	1	
46	6AW-45244-00-00	NUT	1	
47	6AX-45550-00-00	GEAR SET	1	
48	90201-18023-00	WASHER, PLATE	1	
49	90179-18009-00	NUT	1	
50	6AX-45560-00-00	GEAR 1 (26T)	1	
51	6AX-45611-00-00	SHAFT, PROPELLER	1	
52	6AX-45641-00-00	SHIFTER	1	
53	61A-45634-01-00	SLIDE, SHIFT	1	

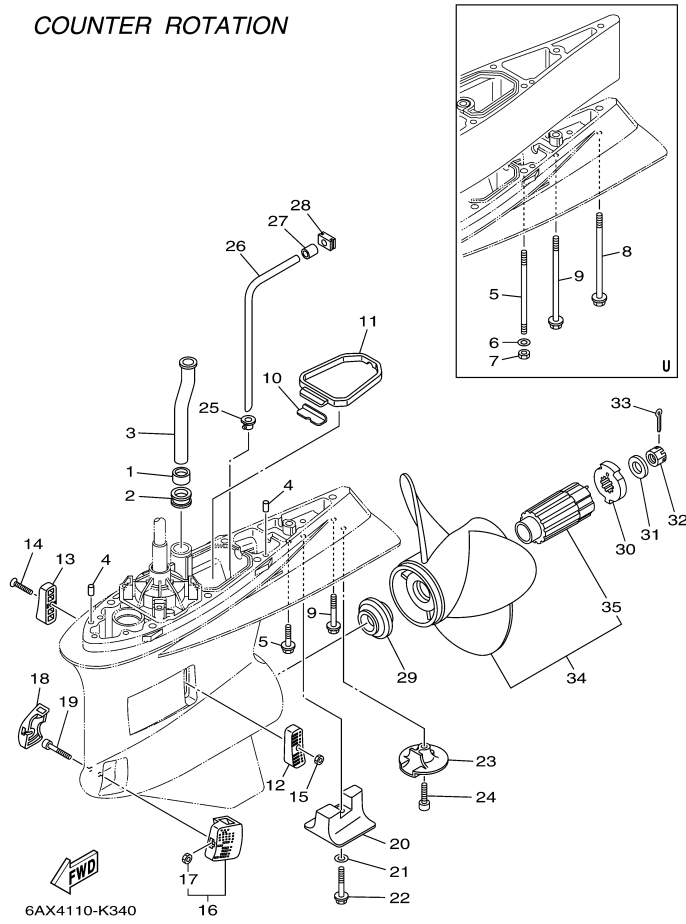
54	6AW-45632-00-00	PIN, CROSS	1	
55	6AW-45631-00-00	CLUTCH, DOG	1	
56	6AW-45633-00-00	RING, CROSS PIN	1	
57	6H1-45668-00-00	SHAFT, FREE 1	1	
58	61A-45635-00-00	PLUNGER, SHIFT	2	
59	90201-02M00-00	WASHER, PLATE	1	
60	90183-02M03-00	NUT, SPRING	2	
61	90501-10M77-00	SPRING, COMPRESSION	1	
62	93501-04011-00	BALL	2	
63	93341-440U5-00	BEARING	1	
64	6K1-45578-01-00	SHIM (T:0.10MM)	1	UR
64	6K1-45578-10-00	SHIM (T:0.12MM)	1	UR
64	6K1-45578-20-00	SHIM (T:0.15MM)	1	UR
64	6K1-45578-60-00	SHIM (T:0.50MM)	1	UR
64	6K1-45578-40-00	SHIM (T:0.30MM)	1	UR
64	6K1-45578-50-00	SHIM (T:0.40MM)	1	UR
64	6K1-45578-30-00	SHIM (T:0.18MM)	1	UR
65	6AX-45332-00-00	HOUSING, BEARING	1	
66	93332-000A2-00	BEARING	1	
67	6AW-45576-00-00	WASHER, THRUST 2	1	
68	6AW-45577-00-00	SHIM (T:0.10MM)	1	UR
68	6AW-45577-10-00	SHIM (T:0.12MM)	1	UR
68	6AW-45577-20-00	SHIM (T:0.15MM)	1	UR
68	6AW-45577-60-00	SHIM (T:0.50MM)	1	UR
68	6AW-45577-40-00	SHIM (T:0.30MM)	1	UR
68	6AW-45577-50-00	SHIM (T:0.40MM)	1	UR
68	6AW-45577-30-00	SHIM (T:0.18MM)	1	UR
69	93311-63591-00	BEARING	1	
70	99009-47500-00	CIRCLIP	1	
71	93101-35018-00	.OIL SEAL	2	
72	93211-10232-00	.O-RING	1	
73	90282-05008-00	KEY, STRAIGHT	1	
74	6AW-45383-00-00	WASHER, CLAW	1	
75	6AW-45384-00-00	NUT	1	

## Part Notes

LF350XCB\_0112 / LOWER CASING DRIVE 3

PART NUMBER		NOTE TEXT
90430-08020-00		OEM: This part number is among the Top 100 Most Popular Marine Maintenance Parts as of February 2013.

COUNTER ROTATION




## Part List

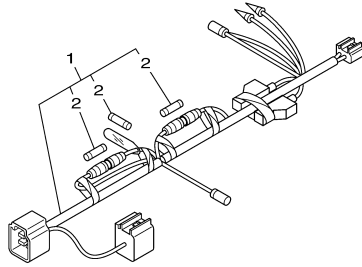
LF350XCB\_0112 / LOWER CASING DRIVE 4

REF - NO	PART NUMBER	PART NAME	QUANTITY	REMARKS
1	6AW-44365-00-00	.DAMPER, WATER SEAL 1	1	
2	6AW-44366-00-00	DAMPER, WATER SEAL 2	1	
3	6AW-44361-00-00	TUBE, WATER 1	1	X(25.1")
4	93608-12M05-00	PIN, DOWEL	2	
5	90119-10038-00	BOLT, WITH WASHER	7	X(25.1")
9	97575-10570-00	BOLT, WITH WASHER	1	X(25.1")
10	61A-45376-00-00	GUIDE, SEAL DAMPER	1	
11	6AW-45375-00-00	DAMPER, SEAL	1	
12	6AW-45214-00-00	COVER, WATER INLET 1	1	
13	6AW-45215-00-00	COVER, WATER INLET 2	1	
14	90152-05003-00	SCREW, COUNTERSUNK	1	
15	90185-05002-00	NUT, NYLON	1	
16	6AW-45224-00-00	COVER, WATER INLET 3	1	
17	90185-05002-00	.NUT, NYLON	1	
18	6AW-45225-00-00	COVER, WATER INLET 4	1	
19	90110-05050-00	BOLT, HEXAGON SOCKET HEAD	1	
20	6AW-45373-00-00	ANODE	1	
21	92990-10300-00	WASHER	1	
22	90105-10257-00	BOLT, FLANGE	1	
23	6AW-45619-00-00	CAP	1	
24	90110-10018-00	BOLT, HEXAGON SOCKET HEAD	1	
25	6AW-44367-00-00	DAMPER, WATER SEAL 3	1	
26	6AW-44362-00-00	TUBE, WATER 2	1	
27	6AW-44375-00-00	GROMMET, WATER TUBE 1	1	
28	6AW-44376-00-00	GROMMET, WATER TUBE 2	1	
29	6AW-45987-00-00	SPACER 1	1	
30	6AW-45997-10-00	SPACER 2	1	
31	90201-19M01-00	WASHER, PLATE	1	
32	90171-18M04-00	NUT, CASTLE	1	
33	91490-40030-00	PIN. COTTER	1	
34	6AX-45970-10-00	PROPELLER (3X16-1/4"X15"-XL)	1	UR SWS XL PROP.
34	6AX-45972-10-00	PROPELLER (3X16-1/4"X17"-XL)	1	UR SWS XL PROP.
34	6AX-45978-10-00	PROPELLER (3X15-1/4"X23"-XL)	1	UR SWS XL PROP.
34	6AX-45976-10-00	PROPELLER (3X15-1/4"X21"-XL)	1	UR SWS XL PROP.
34	6AX-45974-10-00	PROPELLER (3X15-1/2"X19"-XL)	1	UR SWS XL PROP.
35	6AW-45C80-00-00	.PROPELLER DAMPER RUBBER ASSY	1	

## Part Notes

LF350XCB\_0112 / LOWER CASING DRIVE 4

PART NUMBER	NOTE TEXT
91490-40030-00 	OEM: This part number is among the Top 100 Most Popular Marine Maintenance Parts as of February 2013.

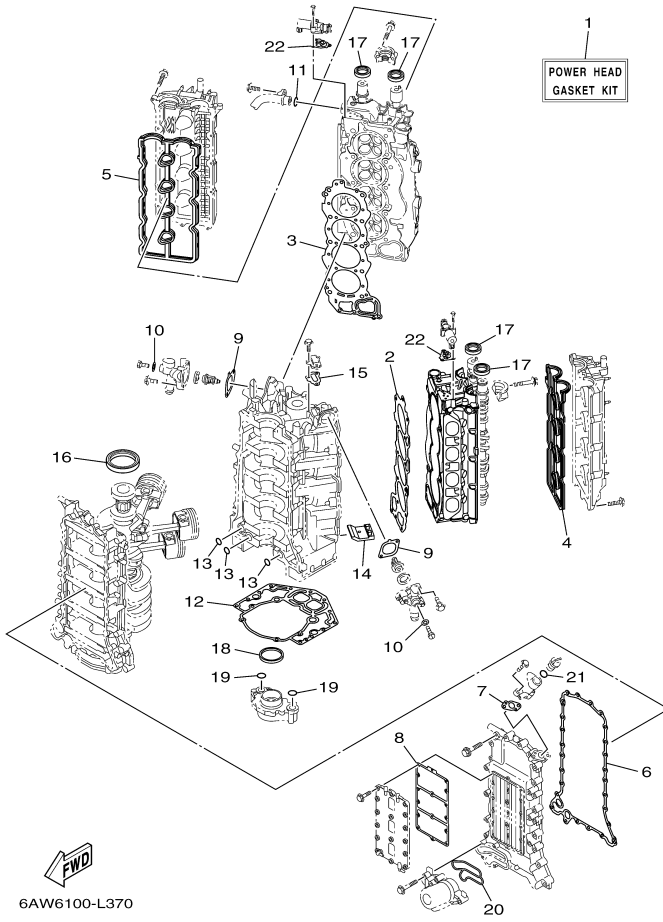


6AX4110-K350

# Part List

LF350XCB\_0112 / OPTIONAL PARTS

REF - NO	PART NUMBER	PART NAME	QUANTITY	REMARKS
1	6Y8-81315-00-00	LEAD WIRE ASSY	1	
2	6TA-82151-00-00	.FUSE(5A)	3	

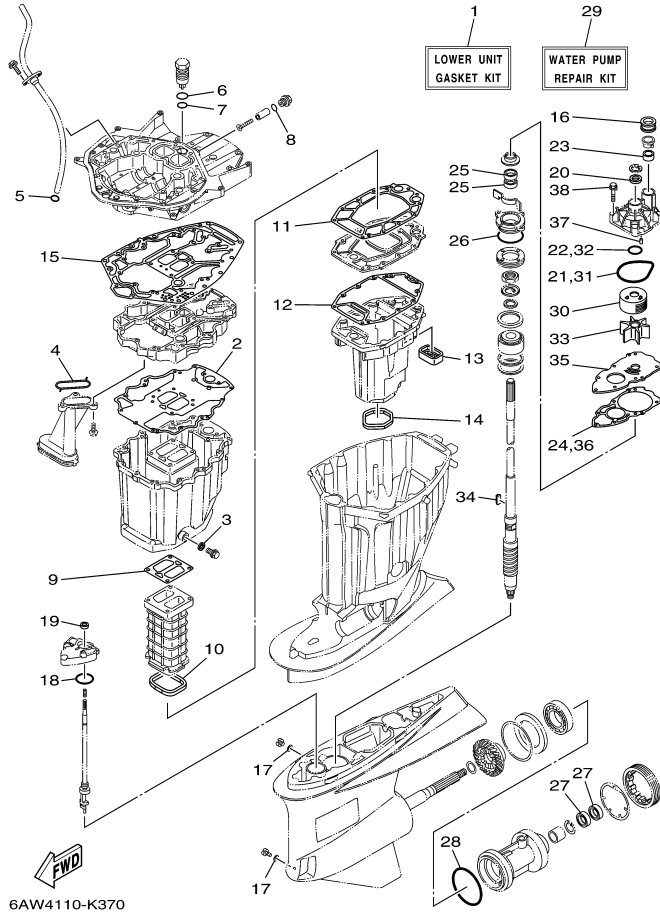




## Part List

LF350XCB\_0112 / REPAIR KIT 1

REF - NO	PART NUMBER	PART NAME	QUANTITY	REMARKS
1	6AW-W0001-01-00	POWER HEAD GASKET KIT	1	
2	6AW-11181-00-00	.GASKET, CYLINDER HEAD 1	1	
3	6AW-11182-00-00	.GASKET, CYLINDER HEAD 2	1	
4	6AW-11193-10-00	.GASKET, HEAD COVER 1	1	
5	6AW-11194-10-00	.GASKET, HEAD COVER 2	1	
6	6AW-15451-00-00	.GASKET, CRANKCASE COVER 1	1	
7	6AW-15364-00-00	.GASKET, OIL PLUG	1	
8	6AW-15461-00-00	.GASKET, CRANKCASE COVER 2	1	
9	6AW-12427-00-00	.GASKET, HOUSING COVER 1	2	
10	90430-05002-00	.GASKET	2	
11	93210-207A0-00	.O-RING	1	
12	6AW-11351-00-00	.GASKET, CYLINDER	1	
13	93210-26658-00	.O-RING	3	
14	6AW-14664-00-00	.GROMMET, WATER SHUT	2	
15	6AW-11381-00-00	.GASKET 1	1	
16	93102-85004-00	.OIL SEAL	1	
17	93102-38008-00	.OIL SEAL	4	
18	69J-11355-00-00	.SEAL, CYLINDER 1	1	
19	93210-26658-00	.O-RING	2	
20	6AW-13477-00-00	.GASKET	1	
21	93210-24M79-00	.O-RING	1	
22	6CB-1242F-00-00	.GASKET, FILTER	2	



6AW4110-K370




# Part List

LF350XCB\_0112 / REPAIR KIT 2

REF - NO	PART NUMBER	PART NAME	QUANTITY	REMARKS
1	6AW-W0001-21-00	LOWER UNIT GASKET KIT	1	
2	6AW-15312-00-00	.GASKET, OIL PAN	1	
3	90430-14M09-00	.GASKET	1	
4	6AW-13415-00-00	.SEAL, OIL STRAINER	1	
5	93210-19MJ3-00	.O-RING	1	
6	93210-347A1-00	.O-RING	1	
7	93210-28543-00	.O-RING	1	
8	93210-19758-00	.O-RING	1	
9	6AW-41134-02-00	.GASKET, EXHAUST MANIFOLD	1	
10	6AW-41138-00-00	.SEAL, EXT 1	1	
11	6AW-41135-00-00	.GASKET, EXHAUST MANIFOLD	1	
12	6AW-41136-00-00	.GASKET, EXHAUST MANIFOLD 4	1	
13	6AW-45127-00-00	.SEAL	1	
14	69J-45123-00-00	.GASKET, MUFFLER	1	
15	6AW-45113-00-00	.GASKET, UPPER CASING	1	
16	6AW-44366-00-00	.DAMPER, WATER SEAL 2	1	
17	90430-08020-00	.GASKET	2	
18	93210-48214-00	.O-RING	1	
19	93101-12M70-00	.OIL SEAL	1	
20	93109-24001-00	.OIL SEAL	1	
21	93210-94003-00	.O-RING	1	
22	93210-37160-00	.O-RING	1	
23	6AW-44365-00-00	.DAMPER, WATER SEAL 1	1	
24	6AW-44315-00-00	.GASKET, WATER PUMP	1	
25	93101-28004-00	.OIL SEAL	2	
26	93210-69MG6-00	.O-RING	1	
27	93101-35018-00	.OIL SEAL	2	
28	93211-10232-00	.O-RING	1	
29	6AW-W0078-00-00	WATER PUMP REPAIR KIT	1	
30	6AW-44322-00-00	.INSERT, CARTRIDGE	1	
31	93210-94003-00	.O-RING	1	
32	93210-37160-00	.O-RING	1	
33	6AW-44352-00-00	.IMPELLER	1	
34	6AW-44336-00-00	.KEY	1	
35	6AW-44323-00-00	.OUTER PLATE, CARTRIDGE	1	
36	6AW-44315-00-00	.GASKET, WATER PUMP	1	
37	93606-12019-00	.PIN, DOWEL	2	
38	90119-08M14-00	.BOLT, WITH WASHER	4	

# Part Notes

LF350XCB\_0112 / REPAIR KIT 2

PART NUMBER	NOTE TEXT
90430-14M09-00 	OEM: This part number is among the Top 100 Most Popular Marine Maintenance Parts as of February 2013.
69J-45123-00-00 	OEM: If you are replacing damaged exhaust components on a 3.1L V6 Fourstroke, two kits have been developed to make choosing and ordering the correct parts easier. Ordering either MAR-EXHKT-03-00 (EXH KIT F200-225 for 2002-2003 models) or MAR-EXHKT-04-00 (EXH KIT F200-250 2004 models and up) will get you everything needed to rebuild the entire exhaust system.
90430-08020-00 	OEM: This part number is among the Top 100 Most Popular Marine Maintenance Parts as of February 2013.