







Part List

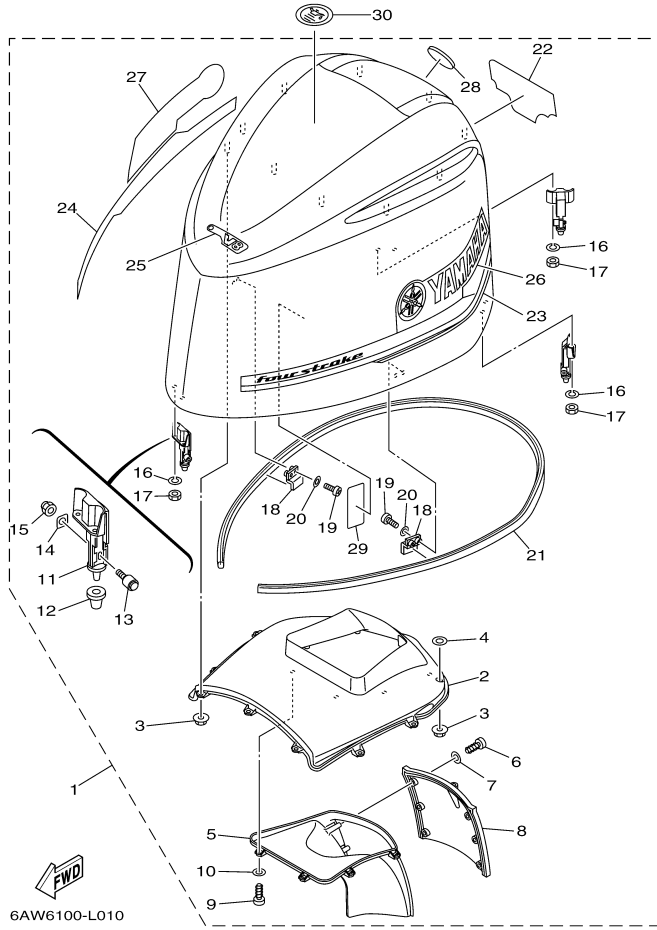
LF350UCB_0112 / SCHEDULED SERVICE PARTS

| REF - NO | PART NUMBER | PART NAME | QUANTITY | REMARKS |
|----------|-----------------|----------------------------|----------|--------------------------------|
| 1 | 6P3-24564-00-00 | .GASKET | 1 | FUEL 1 (REF 10) |
| 2 | 6P3-24563-01-00 | .ELEMENT, FILTER | 1 | FUEL 1 (REF 11) |
| 3 | 6CB-13016-00-00 | .O-RING | 1 | FUEL INJECTION PUMP 1 (REF 5) |
| 4 | 6CB-24501-01-00 | .FILTER, FUEL | 1 | FUEL INJECTION PUMP 1 (REF 3) |
| 5 | 63P-13915-00-00 | FILTER | 1 | FUEL INJECTION PUMP 1 (REF 21) |
| 6 | 6CB-14984-00-00 | GASKET, FLOAT CHAMBER | 1 | FUEL INJECTION PUMP 1 (REF 35) |
| 7 | 63P-11325-01-00 | ANODE | 3 | CYLINDER CRANKCASE 1 (REF 18) |
| 8 | N26-13440-00-00 | ELEMENT ASSY, OIL CLEANER | 1 | CYLINDER CRANKCASE 1 (REF 41) |
| 9 | 90430-14M09-00 | .GASKET | 1 | OIL PAN (REF 6) |
| 10 | 6AW-12411-00-00 | THERMOSTAT | 2 | CYLINDER CRANKCASE 1 (REF 20) |
| 11 | 6AW-1132P-00-00 | ANODE 5 | 8 | CYLINDER CRANKCASE 1 (REF 37) |
| 12 | 6AW-1132R-00-00 | ANODE 6 | 2 | CYLINDER CRANKCASE 1 (REF 27) |
| 13 | 67F-11325-01-00 | .ANODE | 10 | CYLINDER CRANKCASE 2 (REF 18) |
| 14 | LFR-6A110-00-00 | PLUG, SPARK (NGK LFR6A-11) | 8 | CYLINDER CRANKCASE 2 (REF 37) |
| 15 | 6AW-45251-00-00 | ANODE | 1 | BRACKET 1 (REF 4) |
| 16 | 90430-08020-00 | .GASKET | 2 | LOWER CASING DRIVE 3 (REF 9) |
| 17 | 6AW-45619-00-00 | CAP | 1 | LOWER CASING DRIVE 4 (REF 23) |
| 18 | 6AW-45373-00-00 | ANODE | 1 | LOWER CASING DRIVE 4 (REF 20) |

Part Notes

LF350UCB_0112 / SCHEDULED SERVICE PARTS

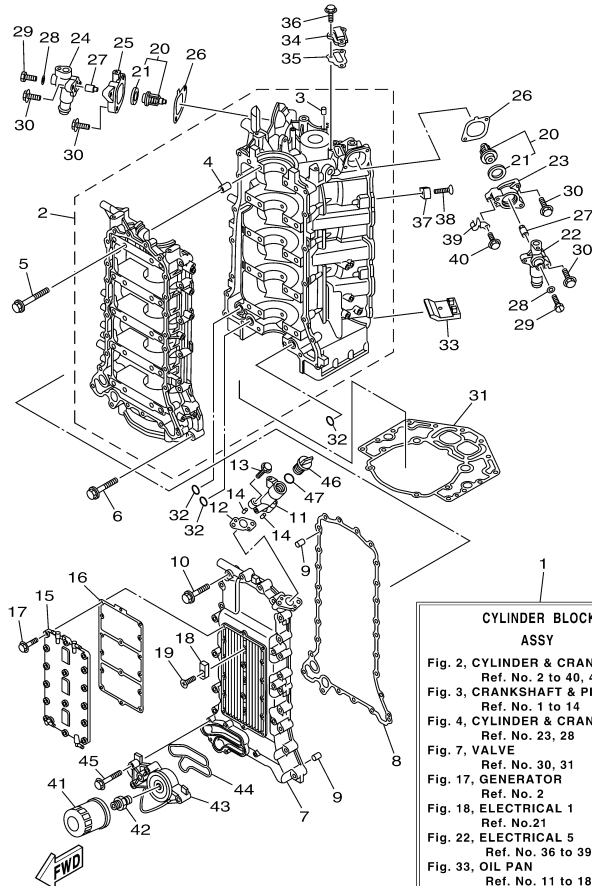
| PART NUMBER | | NOTE TEXT |
|-----------------|---|---|
| 6P3-24564-00-00 |  | OEM: This part number is among the Top 100 Most Popular Marine Maintenance Parts as of February 2013. |
| 63P-13915-00-00 |  | OEM: This part number is among the Top 100 Most Popular Marine Maintenance Parts as of February 2013. |
| N26-13440-00-00 |  | OEM: This part number is among the Top 100 Most Popular Marine Maintenance Parts as of February 2013. |
| 90430-14M09-00 |  | OEM: This part number is among the Top 100 Most Popular Marine Maintenance Parts as of February 2013. |
| LFR-6A110-00-00 |  | OEM: This part number is among the Top 100 Most Popular Marine Maintenance Parts as of February 2013. |
| 90430-08020-00 |  | OEM: This part number is among the Top 100 Most Popular Marine Maintenance Parts as of February 2013. |



Part List

LF350UCB_0112 / TOP COWLING

| REF - NO | PART NUMBER | PART NAME | QUANTITY | REMARKS |
|----------------|-----------------|------------------------|----------|---------|
| 1 | 6AW-42610-20-00 | TOP COWLING ASSY | 1 | |
| 2 | 6AW-42613-00-00 | .MOLDING, AIR DUCT | 1 | |
| 3 | 90179-06M28-00 | .NUT | 10 | |
| 4 | 6CB-42545-00-00 | .WASHER, PLAIN | 3 | |
| 5 | 6AW-42635-00-00 | .DUCT, WATER SEPARATOR | 1 | |
| 6 | 97780-60516-00 | .SCREW, TAPPING | 6 | |
| 7 | 92995-06200-00 | .WASHER | 6 | |
| 8 | 6AW-42532-00-00 | .COVER | 1 | |
| 9 | 97780-60516-00 | .SCREW, TAPPING | 7 | |
| 10 | 92995-06200-00 | .WASHER | 7 | |
| 11 | 6AW-42647-00-9S | .HOLDER, CLAMP BAND | 3 | |
| 12 | 6AW-42663-00-00 | .DAMPER | 3 | |
| 13 | 6AW-4264A-00-00 | .HOOK ASSY | 3 | |
| 14 | 6AW-42646-10-00 | .PLATE, CLAMP | 3 | |
| 15 | 95780-08300-00 | .NUT, FLANGE | 3 | |
| 16 | 92990-06100-00 | .WASHER, SPRING | 6 | |
| 17 | 95380-06600-00 | .NUT, HEXAGON | 6 | |
| 18 | 6AW-42477-00-00 | .PLATE, LOCK | 2 | |
| 19 | 97885-05010-00 | .SCREW, PAN HEAD | 4 | |
| 20 | 92995-05600-00 | .WASHER | 4 | |
| 21 | 6AW-42628-20-00 | .SEAL | 1 | |
| 22 | 6AW-42678-00-00 | .GRAPHIC, REAR | 1 | |
| 23 | 6AW-42675-00-00 | .GRAPHIC, SIDE 1 | 1 | |
| 24 | 6AW-42676-00-00 | .GRAPHIC, SIDE 2 | 1 | |
| 25 | 6AW-42677-00-00 | .GRAPHIC, FRONT | 1 | |
| 26 | 6AW-42681-00-00 | .MARK, COWLING | 1 | |
| 27 | 6AW-42682-00-00 | .MARK, COWLING | 1 | |
| 28 | 6AW-42697-10-00 | .TUNING FORK MARK | 1 | |
| 29 | 6AH-42735-00-00 | .PROTECTOR | 1 | |
| 30 | 67F-13434-20-00 | LABEL, CAUTION | 1 | |



**CYLINDER BLOCK
ASSY**

- Fig. 2, CYLINDER & CRANKCASE 1
Ref. No. 2 to 40, 42 to 47
- Fig. 3, CRANKSHAFT & PISTON
Ref. No. 1 to 14
- Fig. 4, CYLINDER & CRANKCASE 2
Ref. No. 23, 28
- Fig. 7, VALVE
Ref. No. 30, 31
- Fig. 17, GENERATOR
Ref. No. 2
- Fig. 18, ELECTRICAL 1
Ref. No. 21
- Fig. 22, ELECTRICAL 5
Ref. No. 36 to 39
- Fig. 33, OIL PAN
Ref. No. 11 to 18

6AW6100-L020


Part List

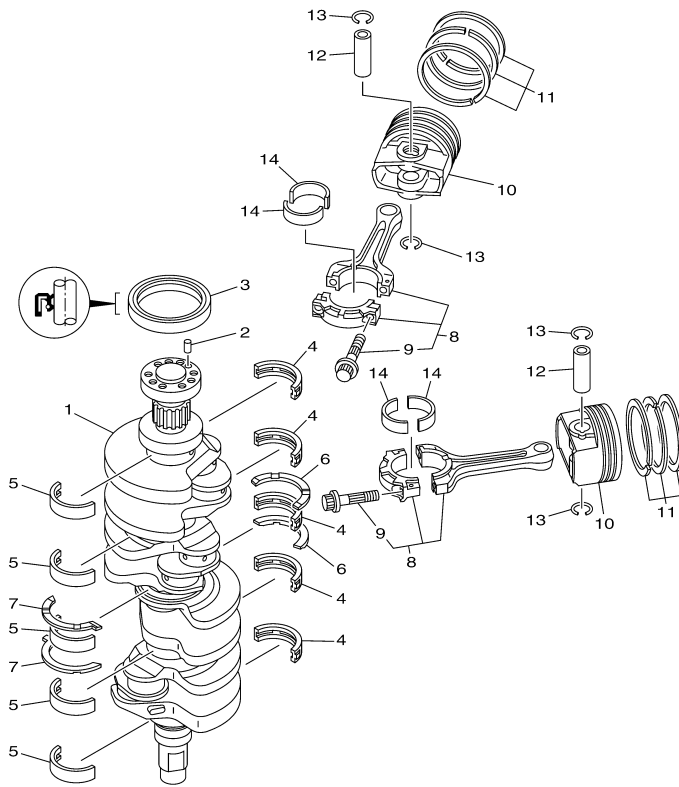
LF350UCB_0112 / CYLINDER CRANKCASE 1

| REF - NO | PART NUMBER | PART NAME | QUANTITY | REMARKS |
|----------|-----------------|----------------------------|----------|---------|
| 1 | 6AW-W009B-04-9S | CYLINDER BLOCK ASSY | 1 | |
| 2 | 6AW-15100-04-00 | CRANKCASE ASSY | 1 | |
| 3 | 93606-12019-00 | .PIN, DOWEL | 3 | |
| 4 | 91814-18002-00 | .PIN, DOWEL | 10 | |
| 5 | 6P2-15187-00-00 | BOLT | 20 | |
| 6 | 90105-08175-00 | BOLT, FLANGE | 18 | |
| 7 | 6AW-15411-02-9S | COVER, CRANKCASE 1 | 1 | |
| 8 | 6AW-15451-00-00 | .GASKET, CRANKCASE COVER 1 | 1 | |
| 9 | 93606-12019-00 | PIN, DOWEL | 2 | |
| 10 | 90105-08175-00 | BOLT, FLANGE | 26 | |
| 11 | 6AW-15319-00-9S | JOINT | 1 | |
| 12 | 6AW-15364-00-00 | .GASKET, OIL PLUG | 1 | |
| 13 | 90105-06155-00 | BOLT, FLANGE | 2 | |
| 14 | 93604-08062-00 | PIN, DOWEL | 2 | |
| 15 | 6AW-15421-00-9S | COVER, CRANKCASE 2 | 1 | |
| 16 | 6AW-15461-00-00 | .GASKET, CRANKCASE COVER 2 | 1 | |
| 17 | 90105-06037-00 | BOLT, FLANGE | 16 | |
| 18 | 63P-11325-01-00 | ANODE | 3 | |
| 19 | 90151-06M02-00 | SCREW, COUNTERSUNK | 3 | |
| 20 | 6AW-12411-00-00 | THERMOSTAT | 2 | |
| 21 | 6AW-12412-00-00 | .SEAL, THERMOSTAT | 1 | |
| 22 | 6AW-12413-00-9S | COVER, THERMOSTAT | 1 | |
| 23 | 6AW-12422-00-9S | COVER, HOUSING | 1 | |
| 24 | 6AW-1241B-00-9S | COVER, THERMOSTAT 2 | 1 | |
| 25 | 6AW-1242B-00-9S | COVER, HOUSING 2 | 1 | |
| 26 | 6AW-12427-00-00 | .GASKET, HOUSING COVER 1 | 2 | |
| 27 | 6AW-1132R-00-00 | ANODE 6 | 2 | |
| 28 | 90430-05002-00 | GASKET | 2 | |
| 29 | 90105-05012-00 | BOLT, FLANGE | 2 | |
| 30 | 90105-06028-00 | BOLT, FLANGE | 8 | |
| 31 | 6AW-11351-00-00 | .GASKET, CYLINDER | 1 | |
| 32 | 93210-26658-00 | .O-RING | 3 | |
| 33 | 6AW-14664-00-00 | .GROMMET, WATER SHUT | 2 | |
| 34 | 6AW-1131M-00-9S | COVER | 1 | |
| 35 | 6AW-11381-00-00 | .GASKET 1 | 1 | |
| 36 | 90105-06039-00 | BOLT, FLANGE | 3 | |
| 37 | 6AW-1132P-00-00 | ANODE 5 | 8 | |
| 38 | 98780-06530-00 | SCREW, FLAT HEAD | 8 | |
| 39 | 90462-12008-00 | CLAMP | 1 | |
| 40 | 95895-06012-00 | BOLT, FLANGE | 1 | |
| 41 | N26-13440-00-00 | ELEMENT ASSY, OIL CLEANER | 1 | |
| 42 | 90401-19001-00 | BOLT, UNION | 1 | |
| 43 | 6AW-13446-00-9S | CONNECTOR | 1 | |
| 44 | 6AW-13477-00-00 | .GASKET | 1 | |
| 45 | 95885-06045-00 | BOLT, FLANGE | 5 | |
| 46 | 6G8-15363-00-00 | PLUG, OIL | 1 | |
| 47 | 93210-24M79-00 | .O-RING | 1 | |

Part Notes

LF350UCB_0112 / CYLINDER CRANKCASE 1

| PART NUMBER | NOTE TEXT |
|---|---|
| N26-13440-00-00  | OEM: This part number is among the Top 100 Most Popular Marine Maintenance Parts as of February 2013. |

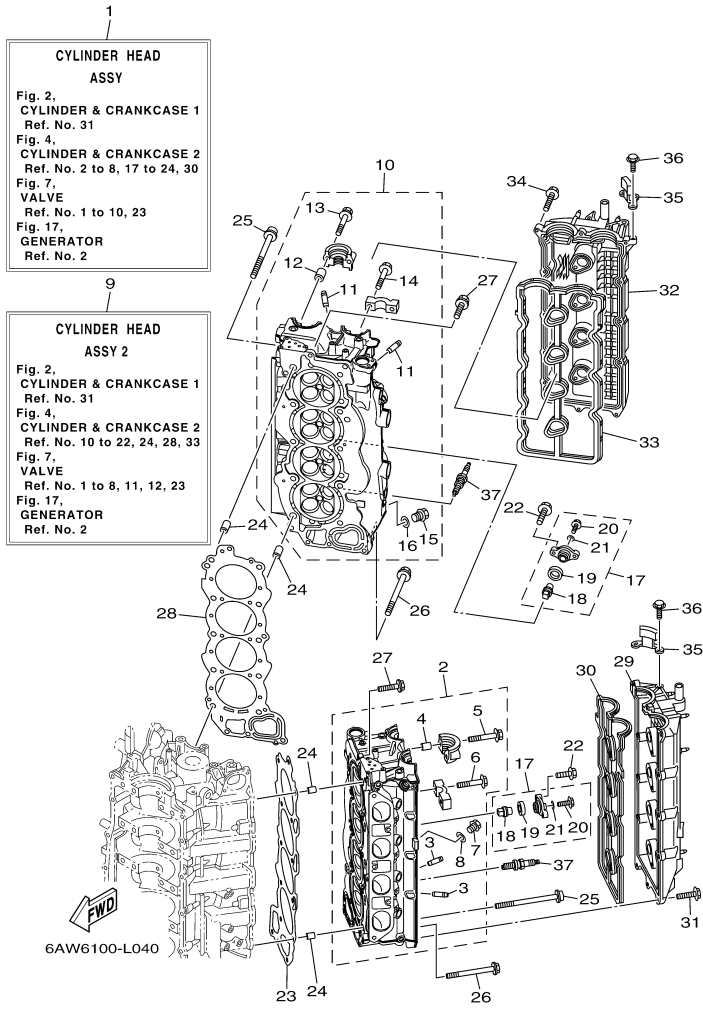


6AW6100-L030

Part List

LF350UCB_0112 / CRANKSHAFT PISTON

| REF - NO | PART NUMBER | PART NAME | QUANTITY | REMARKS |
|----------------|-----------------|----------------------------------|----------|-----------|
| 1 | 6AW-11411-10-00 | CRANKSHAFT | 1 | |
| 2 | 93606-12019-00 | PIN, DOWEL | 1 | |
| 3 | 93102-85004-00 | .OIL SEAL | 1 | |
| 4 | 6AW-11416-00-00 | PLANE BEARING, CRANKSHAFT 1 | 5 | UR YELLOW |
| 4 | 6AW-11416-10-00 | PLANE BEARING, CRANKSHAFT 1 | 5 | UR GREEN |
| 4 | 6AW-11416-40-00 | PLANE BEARING, CRANKSHAFT 1 | 5 | UR BLUE |
| 4 | 6AW-11416-30-00 | PLANE BEARING, CRANKSHAFT 1 | 5 | UR BLACK |
| 4 | 6AW-11416-20-00 | PLANE BEARING, CRANKSHAFT 1 | 5 | UR BROWN |
| 5 | 6AW-11417-00-00 | PLANE BEARING, CRANKSHAFT 2 | 5 | UR YELLOW |
| 5 | 6AW-11417-10-00 | PLANE BEARING, CRANKSHAFT 2 | 5 | UR GREEN |
| 5 | 6AW-11417-40-00 | PLANE BEARING, CRANKSHAFT 2 | 5 | UR BLUE |
| 5 | 6AW-11417-30-00 | PLANE BEARING, CRANKSHAFT 2 | 5 | UR BLACK |
| 5 | 6AW-11417-20-00 | PLANE BEARING, CRANKSHAFT 2 | 5 | UR BROWN |
| 6 | 6AW-11426-00-00 | BEARING, THRUST 1 | 2 | |
| 7 | 6AW-11427-00-00 | BEARING, THRUST 2 | 2 | |
| 8 | 6AW-W1165-00-00 | CONNECTING ROD ASSY | 8 | |
| 9 | 63P-11654-10-00 | .BOLT, CONNECTING ROD | 2 | |
| 10 | 6AW-11631-10-93 | PISTON (STD) | 8 | |
| 11 | 6AW-11603-00-00 | PISTON RING SET (STD) | 8 | |
| 12 | 63P-11633-10-00 | PIN, PISTON | 8 | |
| 13 | 63P-11634-00-00 | CLIP, PISTON PIN | 16 | |
| 14 | 6AW-11656-00-00 | PLANE BEARING, CONNECTING ROD | 16 | UR GREEN |
| 14 | 6AW-11656-30-00 | PLANE BEARING, CONNECTING ROD | 16 | UR PURPLE |
| 14 | 6AW-11656-20-00 | PLANE BEARING, CONNECTING ROD | 16 | UR RED |
| 14 | 6AW-11656-10-00 | PLANE BEARING, CONNECTING ROD | 16 | UR BLUE |





Part List

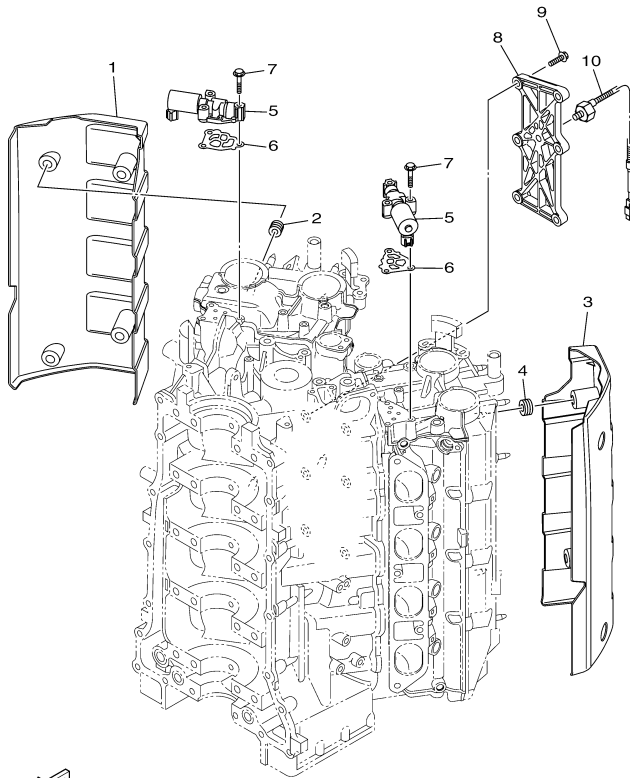
LF350UCB_0112 / CYLINDER CRANKCASE 2

| REF - NO | PART NUMBER | PART NAME | QUANTITY | REMARKS |
|----------|-----------------|----------------------------|----------|---------|
| 1 | 6AW-W009A-01-9S | CYLINDER HEAD COMPLETE | 1 | |
| 2 | 6AW-11110-10-00 | CYLINDER HEAD ASSY | 1 | |
| 3 | 6S5-11133-10-00 | .GUIDE, VALVE 1 | 16 | |
| 4 | 91809-08006-00 | .PIN, DOWEL | 4 | |
| 5 | 90119-07001-00 | .BOLT, WITH WASHER | 4 | |
| 6 | 90119-07234-00 | .BOLT, WITH WASHER | 16 | |
| 7 | 90340-18M09-00 | .PLUG, STRAIGHT SCREW | 1 | |
| 8 | 90430-18130-00 | .GASKET | 1 | |
| 9 | 6AW-W009C-01-9S | CYLINDER HEAD 2 COMPLETE | 1 | |
| 10 | 6AW-11120-10-00 | CYLINDER HEAD ASSY 2 | 1 | |
| 11 | 6S5-11133-10-00 | .GUIDE, VALVE 1 | 16 | |
| 12 | 91809-08006-00 | .PIN, DOWEL | 4 | |
| 13 | 90119-07001-00 | .BOLT, WITH WASHER | 4 | |
| 14 | 90119-07234-00 | .BOLT, WITH WASHER | 16 | |
| 15 | 90340-18M09-00 | .PLUG, STRAIGHT SCREW | 1 | |
| 16 | 90430-18130-00 | .GASKET | 1 | |
| 17 | 67F-11301-00-00 | ANODE COVER ASSY | 10 | |
| 18 | 67F-11325-01-00 | .ANODE | 1 | |
| 19 | 67F-11328-00-00 | .GROMMET, ANODE | 1 | |
| 20 | 90105-06M07-00 | .BOLT, FLANGE | 1 | |
| 21 | 90430-06M03-00 | .GASKET | 1 | |
| 22 | 95885-08025-00 | BOLT, FLANGE | 20 | |
| 23 | 6AW-11181-00-00 | .GASKET, CYLINDER HEAD 1 | 1 | |
| 24 | 90387-11005-00 | COLLAR | 4 | |
| 25 | 90155-11002-00 | SCREW, FLAT FILLISTER | 20 | |
| 26 | 90105-08220-00 | BOLT, FLANGE | 6 | |
| 27 | 90119-08115-00 | BOLT, WITH WASHER | 2 | |
| 28 | 6AW-11182-00-00 | .GASKET, CYLINDER HEAD 2 | 1 | |
| 29 | 6AW-11191-10-00 | COVER, CYLINDER HEAD 1 | 1 | |
| 30 | 6AW-11193-10-00 | .GASKET, HEAD COVER 1 | 1 | |
| 31 | 95895-06030-00 | BOLT, FLANGE | 16 | |
| 32 | 6AW-11192-10-00 | COVER, CYLINDER HEAD 2 | 1 | |
| 33 | 6AW-11194-10-00 | .GASKET, HEAD COVER 2 | 1 | |
| 34 | 95895-06030-00 | BOLT, FLANGE | 16 | |
| 35 | 6AW-15142-00-00 | GUIDE 1 | 2 | |
| 36 | 95885-06014-00 | BOLT, FLANGE | 4 | |
| 37 | LFR-6A110-00-00 | PLUG, SPARK (NGK LFR6A-11) | 8 | |

Part Notes

LF350UCB_0112 / CYLINDER CRANKCASE 2

| PART NUMBER | NOTE TEXT |
|---|---|
| 67F-11328-00-00  | OEM: This part number is among the Top 100 Most Popular Marine Maintenance Parts as of February 2013. |
| LFR-6A110-00-00  | OEM: This part number is among the Top 100 Most Popular Marine Maintenance Parts as of February 2013. |




6AW6100-L050



Part List

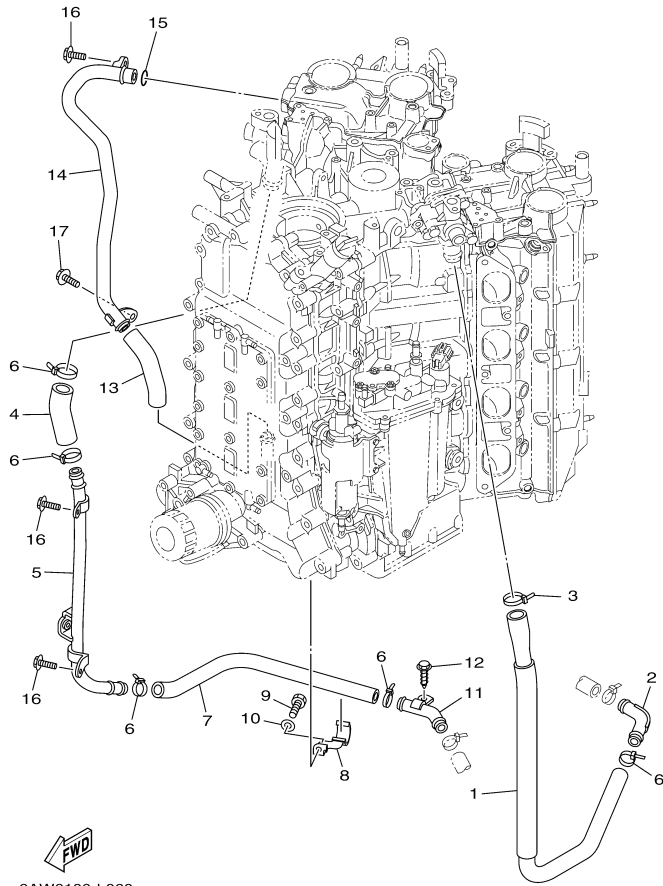
LF350UCB_0112 / CYLINDER CRANKCASE 3

| REF - NO | PART NUMBER | PART NAME | QUANTITY | REMARKS |
|----------|-----------------|-----------------------------|----------|---------|
| 1 | 6AW-11186-10-00 | COVER, CYLINDER HEAD SIDE 2 | 1 | |
| 2 | 90480-12314-00 | GROMMET | 4 | |
| 3 | 6AW-11187-10-00 | COVER, CYLINDER HEAD SIDE 3 | 1 | |
| 4 | 90480-12314-00 | GROMMET | 4 | |
| 5 | 6CB-86120-00-00 | SOLENOID VALVE ASSY | 2 | |
| 6 | 6CB-1242F-00-00 | .GASKET, FILTER | 2 | |
| 7 | 90105-06035-00 | BOLT, FLANGE | 6 | |
| 8 | 6AW-1135A-00-00 | BRACKET | 1 | |
| 9 | 90105-08240-00 | BOLT, FLANGE | 6 | |
| 10 | 6P2-85780-00-00 | SENSOR, KNOCK | 1 | |

Part Notes

LF350UCB_0112 / CYLINDER CRANKCASE 3

| PART NUMBER | NOTE TEXT |
|--|---|
| 90480-12314-00  | OEM: See Remarks Column: GROMMET used on F115TLR and F/LF115TXR 0510 Production and Later |
| 90480-12314-00  | OEM: See Remarks Column: GROMMET used on F115TLR and F/LF115TXR 0510 Production and Later |

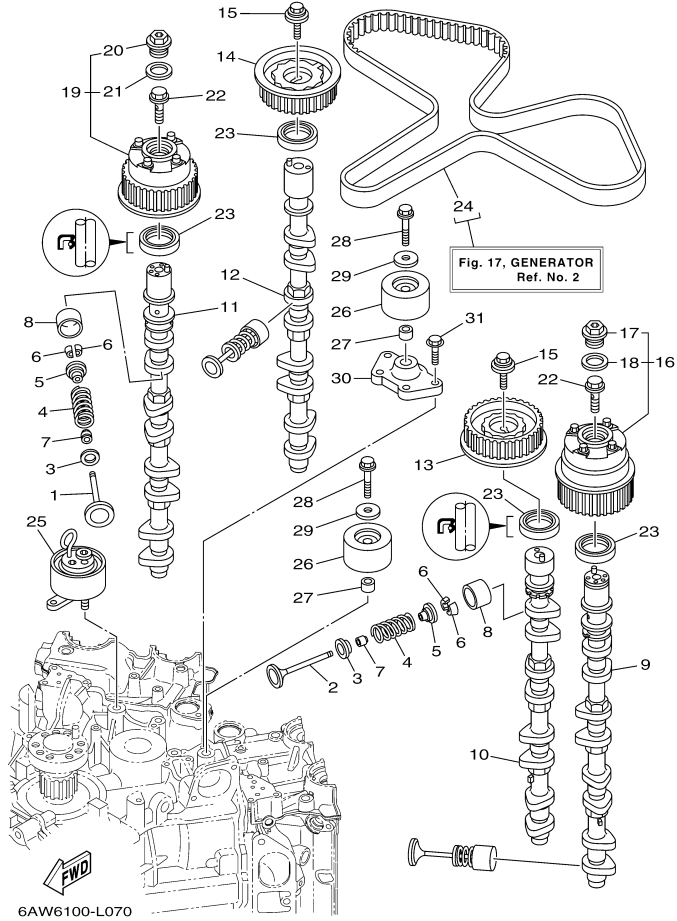



6AW6100-L060

Part List

LF350UCB_0112 / CYLINDER CRANKCASE 4

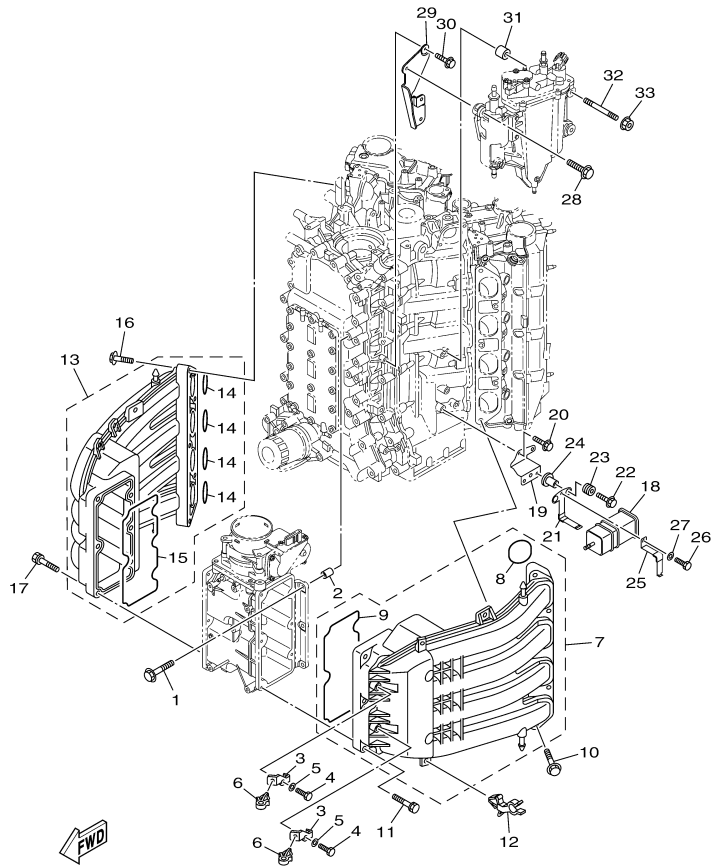
| REF - NO | PART NUMBER | PART NAME | QUANTITY | REMARKS |
|----------------|-----------------|--------------|----------|---------|
| 1 | 6AW-1243A-00-00 | HOSE 1 | 1 | |
| 2 | 6AW-12477-00-00 | PIPE 7 | 1 | |
| 3 | 90465-11M59-00 | CLAMP | 1 | |
| 4 | 6AW-1243E-00-00 | HOSE 2 | 1 | |
| 5 | 6AW-12484-00-00 | PIPE 4 | 1 | |
| 6 | 90465-11M59-00 | CLAMP | 5 | |
| 7 | 6AW-1244G-00-00 | HOSE, 4 | 1 | |
| 8 | 6AW-12491-10-00 | CLAMP 1 | 1 | |
| 9 | 97095-06014-00 | BOLT | 1 | |
| 10 | 92995-06600-00 | WASHER | 1 | |
| 11 | 6AW-12476-00-00 | PIPE 6 | 1 | |
| 12 | 90109-06M86-00 | BOLT | 1 | |
| 13 | 6AW-1244J-00-00 | HOSE 6 | 1 | |
| 14 | 6AW-11378-00-00 | HOSE 2 | 1 | |
| 15 | 93210-207A0-00 | O-RING | 1 | |
| 16 | 95885-06014-00 | BOLT, FLANGE | 3 | |
| 17 | 95885-06010-00 | BOLT, FLANGE | 1 | |



Part List

LF350UCB_0112 / VALVE

| REF - NO | PART NUMBER | PART NAME | QUANTITY | REMARKS |
|----------------|-----------------|--------------------------------|----------|---------|
| 1 | 6CB-12111-00-00 | VALVE, INTAKE | 16 | |
| 2 | 6CB-12121-00-00 | VALVE, EXHAUST | 16 | |
| 3 | K0F-A3743-00-00 | SEAT, VALVE SPRING | 32 | |
| 4 | 6CB-12113-00-00 | SPRING, VALVE INNER | 32 | |
| 5 | K0F-A3741-00-00 | RETAINER, VALVE SPRING | 32 | |
| 6 | K0F-A3742-00-00 | LOCK, VALVE SPRING RETAINER | 64 | |
| 7 | 51Y-12119-00-00 | SEAL, VALVE STEM | 32 | |
| 8 | K0F-A3751-00-00 | LIFTER, VALVE (3.000) | 32 | UR |
| 8 | K0F-A3753-70-00 | LIFTER, VALVE (3.725) | 32 | UR |
| 8 | K0F-A3751-20-00 | LIFTER, VALVE (3.050) | 32 | UR |
| 8 | K0F-A3751-30-00 | LIFTER, VALVE (3.075) | 32 | UR |
| 8 | K0F-A3751-40-00 | LIFTER, VALVE (3.100) | 32 | UR |
| 8 | K0F-A3751-50-00 | LIFTER, VALVE (3.122) | 32 | UR |
| 8 | K0F-A3751-60-00 | LIFTER, VALVE (3.142) | 32 | UR |
| 8 | K0F-A3751-70-00 | LIFTER, VALVE (3.162) | 32 | UR |
| 8 | K0F-A3751-80-00 | LIFTER, VALVE (3.182) | 32 | UR |
| 8 | K0F-A3751-90-00 | LIFTER, VALVE (3.202) | 32 | UR |
| 8 | K0F-A3751-A0-00 | LIFTER, VALVE (3.222) | 32 | UR |
| 8 | K0F-A3751-B0-00 | LIFTER, VALVE (3.242) | 32 | UR |
| 8 | K0F-A3751-C0-00 | LIFTER, VALVE (3.262) | 32 | UR |
| 8 | K0F-A3751-D0-00 | LIFTER, VALVE (3.282) | 32 | UR |
| 8 | K0F-A3751-E0-00 | LIFTER, VALVE (3.302) | 32 | UR |
| 8 | K0F-A3751-F0-00 | LIFTER, VALVE (3.322) | 32 | UR |
| 8 | K0F-A3751-G0-00 | LIFTER, VALVE (3.342) | 32 | UR |
| 8 | K0F-A3751-H0-00 | LIFTER, VALVE (3.362) | 32 | UR |
| 8 | K0F-A3751-J0-00 | LIFTER, VALVE ((3.382) | 32 | UR |
| 8 | K0F-A3751-K0-00 | LIFTER, VALVE (3.402) | 32 | UR |
| 8 | K0F-A3751-L0-00 | LIFTER, VALVE (3.422) | 32 | UR |
| 8 | K0F-A3751-M0-00 | LIFTER, VALVE (3.442) | 32 | UR |
| 8 | K0F-A3751-N0-00 | LIFTER, VALVE (3.462) | 32 | UR |
| 8 | K0F-A3751-P0-00 | LIFTER, VALVE (3.482) | 32 | UR |
| 8 | K0F-A3751-R0-00 | LIFTER, VALVE (3.502) | 32 | UR |
| 8 | K0F-A3751-S0-00 | LIFTER, VALVE (3.522) | 32 | UR |
| 8 | K0F-A3751-T0-00 | LIFTER, VALVE (3.542) | 32 | UR |
| 8 | K0F-A3753-00-00 | LIFTER, VALVE (3.562) | 32 | UR |
| 8 | K0F-A3753-10-00 | LIFTER, VALVE (3.582) | 32 | UR |
| 8 | K0F-A3753-20-00 | LIFTER, VALVE (3.602) | 32 | UR |
| 8 | K0F-A3753-30-00 | LIFTER, VALVE (3.625) | 32 | UR |
| 8 | K0F-A3753-40-00 | LIFTER, VALVE (3.650) | 32 | UR |
| 8 | K0F-A3753-50-00 | LIFTER, VALVE (3.675) | 32 | UR |
| 8 | K0F-A3753-60-00 | LIFTER, VALVE (3.700) | 32 | UR |
| 8 | K0F-A3751-10-00 | LIFTER, VALVE (3.025) | 32 | UR |
| 9 | 6AW-12171-10-00 | CAMSHAFT 1 | 1 | |
| 10 | 6AW-12181-10-00 | CAMSHAFT 2 | 1 | |
| 11 | 6AW-12172-10-00 | CAMSHAFT 3 | 1 | |
| 12 | 6AW-12182-10-00 | CAMSHAFT 4 | 1 | |
| 13 | 6AW-11537-00-00 | GEAR, DRIVEN | 1 | |
| 14 | 6AW-11567-00-00 | GEAR, DRIVEN 2 | 1 | |
| 15 | 90119-10050-00 | BOLT, WITH WASHER | 2 | |
| 16 | 6AW-12645-00-00 | PULLEY ASSY 1 | 1 | |
| 17 | 6P2-12623-00-00 | .BOLT | 1 | |
| 18 | 6P2-12663-00-00 | .GASKET | 1 | |
| 19 | 6AW-1264A-00-00 | PULLEY ASSY 2 | 1 | |
| 20 | 6P2-12623-00-00 | .BOLT | 1 | |
| 21 | 6P2-12663-00-00 | .GASKET | 1 | |
| 22 | 6P2-12615-00-00 | BOLT | 2 | |
| 23 | 93102-38008-00 | .OIL SEAL | 4 | |
| 24 | 6AW-W4624-00-00 | BELT (WITH ROTOR BOLTS) | 1 | |
| 25 | 6P2-11590-01-00 | TENSIONER ASSY | 1 | |
| 26 | 6P2-15512-00-00 | GEAR, IDLER 1 | 2 | |
| 27 | 99530-14016-00 | PIN, DOWEL | 2 | |
| 28 | 90119-10M07-00 | BOLT, WITH WASHER | 2 | |
| 29 | 90201-10M01-00 | WASHER, PLATE | 2 | |
| 30 | 6AW-15544-00-00 | STAY 1 | 1 | |

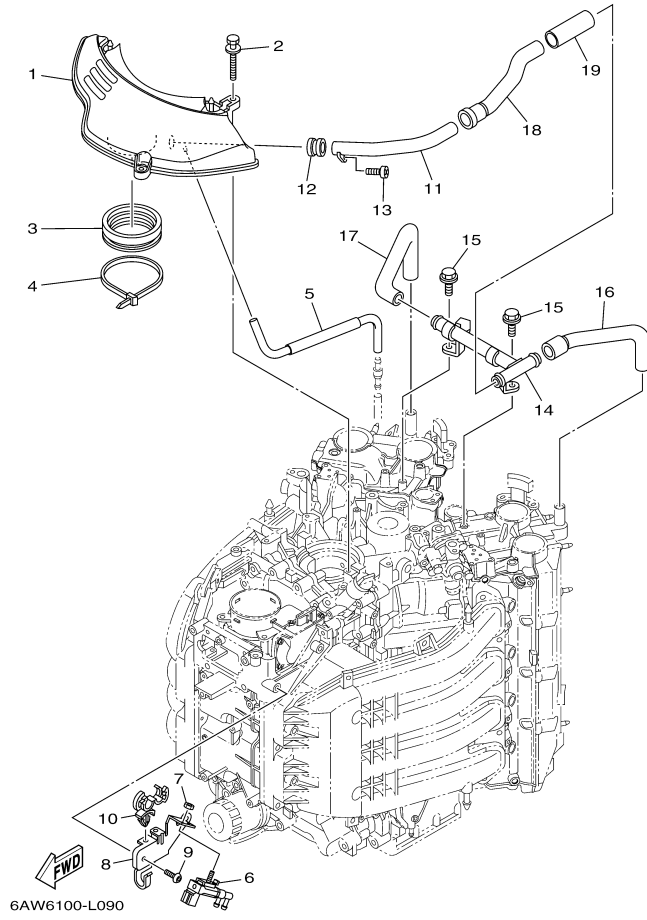



6AW6100-L080

Part List

LF350UCB_0112 / INTAKE 1

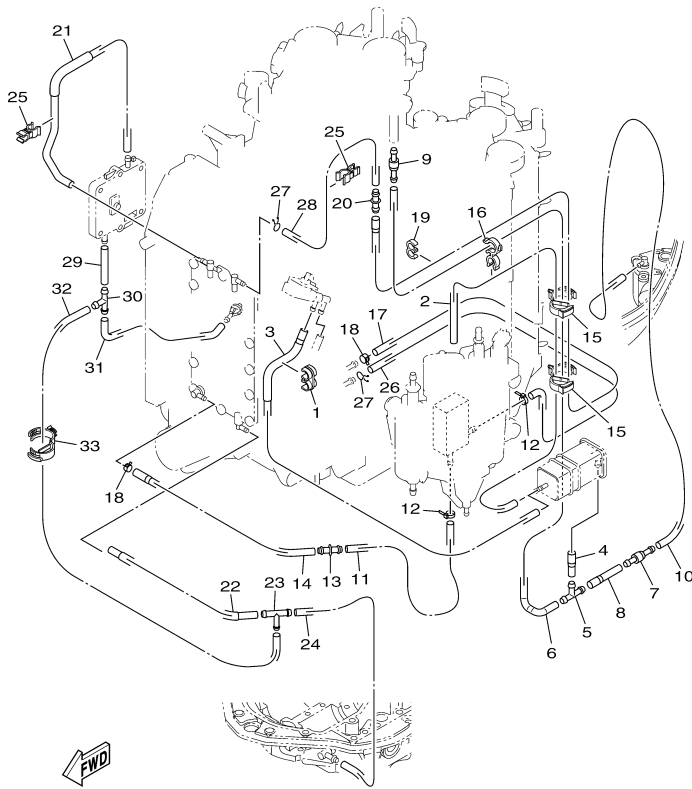
| REF - NO | PART NUMBER | PART NAME | QUANTITY | REMARKS |
|----------------|-----------------|---------------------|----------|---------|
| 1 | 95875-08035-00 | BOLT, FLANGE | 6 | |
| 2 | 99530-10114-00 | PIN, DOWEL | 2 | |
| 3 | 6AW-13782-00-00 | STAY | 2 | |
| 4 | 97095-06012-00 | BOLT | 2 | |
| 5 | 92995-06600-00 | WASHER | 2 | |
| 6 | 90464-09023-00 | CLAMP | 2 | |
| 7 | 6AW-13641-10-00 | MANIFOLD, INTAKE 1 | 1 | |
| 8 | 6AW-13645-00-00 | .GASKET, MANIFOLD 1 | 4 | |
| 9 | 6AW-13646-00-00 | .GASKET, MANIFOLD 2 | 1 | |
| 10 | 90119-08022-00 | BOLT, WITH WASHER | 5 | |
| 11 | 90119-06MA6-00 | BOLT, WITH WASHER | 5 | |
| 12 | 90464-17006-00 | CLAMP | 2 | |
| 13 | 6AW-13641-10-00 | MANIFOLD, INTAKE 1 | 1 | |
| 14 | 6AW-13645-00-00 | .GASKET, MANIFOLD 1 | 4 | |
| 15 | 6AW-13646-00-00 | .GASKET, MANIFOLD 2 | 1 | |
| 16 | 90119-08022-00 | BOLT, WITH WASHER | 5 | |
| 17 | 90119-06MA6-00 | BOLT, WITH WASHER | 5 | |
| 18 | 6P2-24170-00-00 | CANISTER ASSY | 1 | |
| 19 | 6AW-2134X-10-00 | BRACKET, CANISTER | 1 | |
| 20 | 95875-06016-00 | BOLT, FLANGE | 2 | |
| 21 | 69J-2134X-00-00 | BRACKET, CANISTER | 1 | |
| 22 | 90119-06M17-00 | BOLT, WITH WASHER | 2 | |
| 23 | 90480-10M23-00 | GROMMET | 2 | |
| 24 | 90387-06M60-00 | COLLAR | 2 | |
| 25 | 69J-2419A-01-00 | HOLDER | 1 | |
| 26 | 97095-06016-00 | BOLT | 1 | |
| 27 | 92995-06600-00 | WASHER | 1 | |
| 28 | 90119-06M24-00 | BOLT, WITH WASHER | 2 | |
| 29 | 6AW-24419-00-00 | BRKT., SEPARATOR | 1 | |
| 30 | 95875-06016-00 | BOLT, FLANGE | 2 | |
| 31 | 90387-06276-00 | COLLAR | 2 | |
| 32 | 90116-06046-00 | BOLT, STUD | 2 | |
| 33 | 90179-06M28-00 | NUT | 2 | |



Part List

LF350UCB_0112 / INTAKE 2

| REF - NO | PART NUMBER | PART NAME | QUANTITY | REMARKS |
|----------------|-----------------|-------------------------|----------|---------|
| 1 | 6AW-14440-00-00 | SILENCER ASSY, INTAKE | 1 | |
| 2 | 90119-06M35-00 | BOLT, WITH WASHER | 3 | |
| 3 | 6AW-1441J-00-00 | PIPE, SILENCER | 1 | |
| 4 | 90464-99004-00 | CLAMP | 1 | |
| 5 | 6AW-14419-00-00 | PIPE | 1 | |
| 6 | 6C5-86120-00-00 | SOLENOID VALVE ASSY | 1 | |
| 7 | 95380-06600-00 | NUT, HEXAGON | 1 | |
| 8 | 6AW-8611A-00-00 | HOLDER SOLENOID | 1 | |
| 9 | 90111-06111-00 | BOLT,HEX. SOCKET BUTTON | 2 | |
| 10 | 90464-18246-00 | CLAMP | 1 | |
| 11 | 6AW-15373-00-00 | PIPE, BREATHER | 1 | |
| 12 | 6AW-14445-00-00 | GROMMET | 1 | |
| 13 | 97780-60620-00 | SCREW, TAPPING | 1 | |
| 14 | 6AW-15393-00-00 | PIPE, BREATHER 2 | 1 | |
| 15 | 97575-06514-00 | BOLT, WITH WASHER | 2 | |
| 16 | 6AW-1531A-00-00 | HOSE, BREATHER 1 | 1 | |
| 17 | 6AW-1531A-10-00 | HOSE, BREATHER 1 | 1 | |
| 18 | 6AW-1532A-00-00 | HOSE, BREATHER 2 | 1 | |
| 19 | 90446-32002-00 | HOSE (L90) | 1 | |

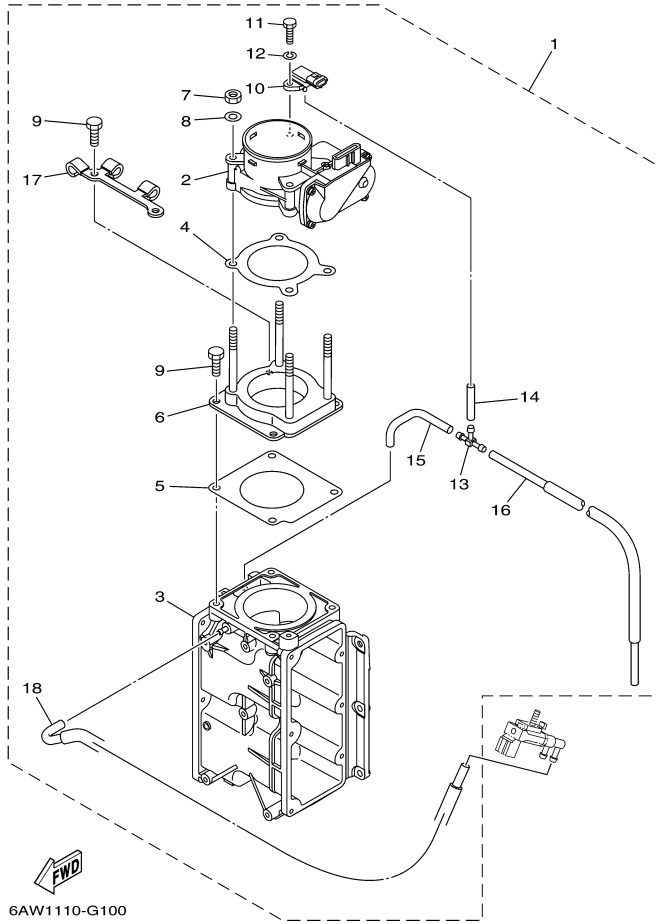



6AW6100-L100

Part List

LF350UCB_0112 / INTAKE 3

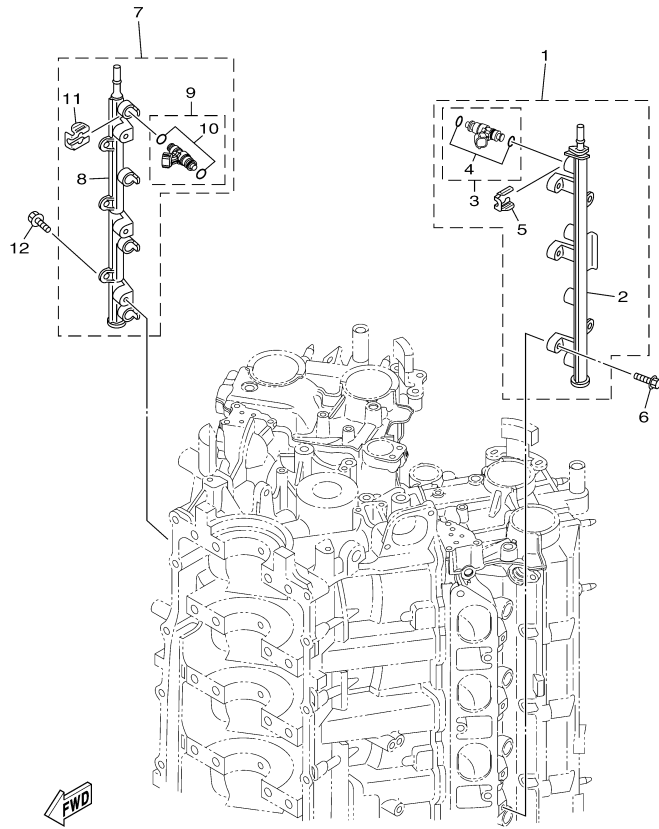
| REF - NO | PART NUMBER | PART NAME | QUANTITY | REMARKS |
|----------------|-----------------|---------------|----------|---------|
| 1 | 90464-12224-00 | CLAMP | 1 | |
| 2 | 6AW-1475A-10-00 | PIPE 1 | 1 | |
| 3 | 6AW-24312-10-00 | PIPE 2 | 1 | |
| 4 | 6AW-13545-10-00 | HOSE 1 | 1 | |
| 5 | 688-24378-00-00 | PIPE, JOINT 3 | 1 | |
| 6 | 6AW-13548-10-00 | HOSE, AIR 4 | 1 | |
| 7 | 6E5-21744-00-00 | BREATHER | 1 | |
| 8 | 6CB-13548-00-00 | HOSE, AIR 4 | 1 | |
| 9 | 6E5-21744-00-00 | BREATHER | 1 | |
| 10 | 6AW-13547-10-00 | HOSE 3 | 1 | |
| 11 | 90445-09104-00 | HOSE (L300) | 1 | |
| 12 | 90465-11M10-00 | CLAMP | 2 | |
| 13 | 6CE-24376-00-00 | PIPE, JOINT 1 | 1 | |
| 14 | 6AW-12589-00-00 | HOSE 6 | 1 | |
| 15 | 90464-32002-00 | CLAMP | 2 | |
| 16 | 90464-09M42-00 | CLAMP | 1 | |
| 17 | 6AW-12576-20-00 | HOSE 1 | 1 | |
| 18 | 90467-11136-00 | CLIP | 2 | |
| 19 | 90464-60067-00 | CLAMP | 1 | |
| 20 | 6CE-24376-00-00 | PIPE, JOINT 1 | 1 | |
| 21 | 6AW-12577-00-00 | HOSE 2 | 1 | |
| 22 | 6AW-12578-00-00 | HOSE 3 | 1 | |
| 23 | 68F-14485-00-00 | PIPE, JOINT | 1 | |
| 24 | 6AW-12579-10-00 | HOSE 4 | 1 | |
| 25 | 90464-10010-00 | CLAMP | 2 | |
| 26 | 90445-09120-00 | HOSE (L600) | 1 | |
| 27 | 90467-08M10-00 | CLIP | 2 | |
| 28 | 6AW-12483-00-00 | PIPE 3 | 1 | |
| 29 | 90445-09026-00 | HOSE (L68) | 1 | |
| 30 | 688-24378-00-00 | PIPE, JOINT 3 | 1 | |
| 31 | 6AW-12482-10-00 | PIPE 2 | 1 | |
| 32 | 6AW-12588-00-00 | HOSE 5 | 1 | |
| 33 | 90464-30003-00 | CLAMP | 1 | |



Part List

LF350UCB_0112 / THROTTLE BODY ASSY 1

| REF - NO | PART NUMBER | PART NAME | QUANTITY | REMARKS |
|----------------|-----------------|-----------------------|----------|---------|
| 1 | 6AW-13750-01-00 | THROTTLE BODY ASSY | 1 | |
| 2 | 6AW-13751-00-00 | .BODY, THROTTLE 1 | 1 | |
| 3 | 6AW-13711-01-00 | .MIXING BODY | 1 | |
| 4 | 6AW-13556-00-00 | .GASKET, MANIFOLD | 1 | |
| 5 | 6AW-13557-00-00 | .GASKET | 1 | |
| 6 | 6AW-14360-00-00 | .THROTTLE DAMPER ASSY | 1 | |
| 7 | 6P2-13588-00-00 | .NUT | 4 | |
| 8 | 6P2-13578-00-00 | .WASHER | 4 | |
| 9 | 6P2-14496-00-00 | .BOLT | 4 | |
| 10 | 6P2-82380-00-00 | .SENSOR, PRESSURE | 1 | |
| 11 | 6P2-13573-00-00 | .BOLT 1 | 1 | |
| 12 | 68V-14356-00-00 | .WASHER, SPRING | 1 | |
| 13 | 4N0-14251-00-00 | .NIPPLE | 1 | |
| 14 | 5JW-24311-00-00 | .PIPE, FUEL 1 | 1 | |
| 15 | 6AW-82364-00-00 | .HOSE 2 | 1 | |
| 16 | 6AW-82365-00-00 | .HOSE 3 | 1 | |
| 17 | 6AW-11188-00-00 | .CLIP, PIPE | 1 | |
| 18 | 6AW-82366-00-00 | .HOSE 4 | 1 | |

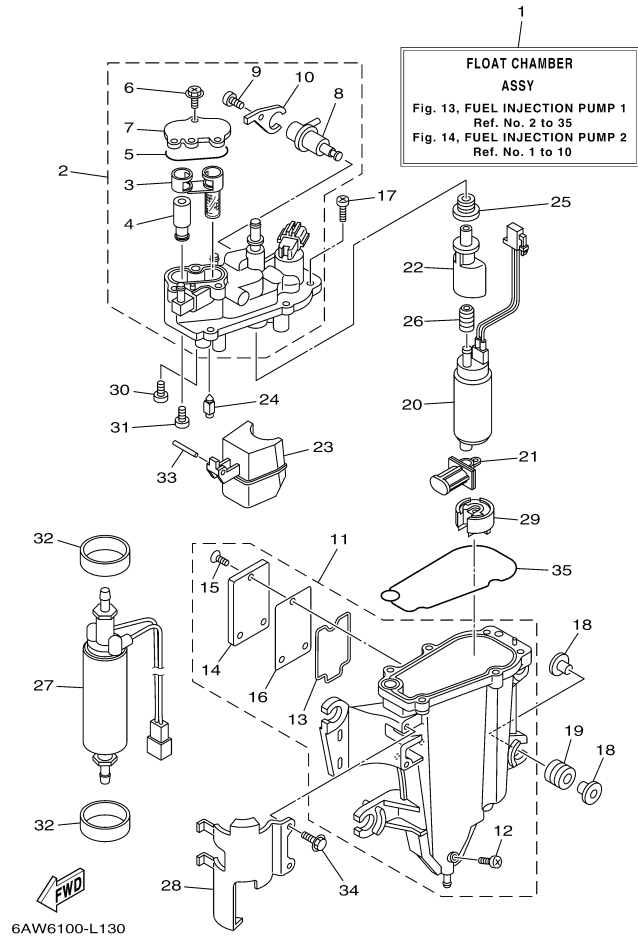


6AW6100-L120

Part List

LF350UCB_0112 / THROTTLE BODY ASSY 2

| REF - NO | PART NUMBER | PART NAME | QUANTITY | REMARKS |
|----------------|-----------------|----------------------|----------|---------|
| 1 | 6AW-13160-10-00 | DELIVERY PIPE ASSY 1 | 1 | |
| 2 | 6AW-13161-10-00 | .PIPE, DELIVERY 1 | 1 | |
| 3 | 6AW-13761-00-00 | .INJECTOR | 4 | |
| 4 | 6AW-1410B-00-00 | ..PACKING KIT | 1 | |
| 5 | 6AW-13577-10-00 | .CLIP | 4 | |
| 6 | 90105-06M08-00 | BOLT, FLANGE | 3 | |
| 7 | 6AW-13170-10-00 | DELIVERY PIPE ASSY 2 | 1 | |
| 8 | 6AW-13171-10-00 | .PIPE, DELIVERY 2 | 1 | |
| 9 | 6AW-13761-00-00 | .INJECTOR | 4 | |
| 10 | 6AW-1410B-00-00 | ..PACKING KIT | 1 | |
| 11 | 6AW-13577-10-00 | .CLIP | 4 | |
| 12 | 90105-06M08-00 | BOLT, FLANGE | 3 | |




Part List

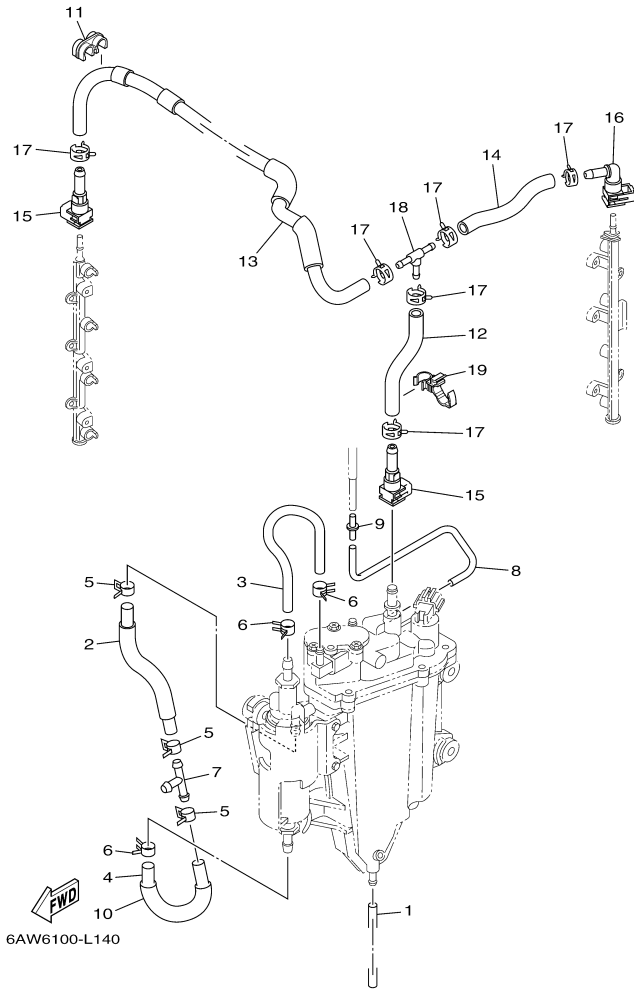
LF350UCB_0112 / FUEL INJECTION PUMP 1

| REF - NO | PART NUMBER | PART NAME | QUANTITY | REMARKS |
|----------------|-----------------|-----------------------|----------|---------|
| 1 | 6AW-14180-20-00 | FLOAT CHAMBER ASSY | 1 | |
| 2 | 6AW-14182-10-00 | COVER, FLOAT CHAMBER | 1 | |
| 3 | 6CB-24501-01-00 | .FILTER, FUEL | 1 | |
| 4 | 6CB-24460-00-00 | .RELIEF VALVE ASSY | 1 | |
| 5 | 6CB-13016-00-00 | .O-RING | 1 | |
| 6 | 6CB-14216-00-00 | .SCREW | 3 | |
| 7 | 6CB-24217-00-00 | .COVER | 1 | |
| 8 | 6CB-13906-01-00 | .REGULATOR, PRESSURE | 1 | |
| 9 | 6CB-14564-00-00 | .SCREW | 1 | |
| 10 | 6CB-14146-00-00 | .PLATE | 1 | |
| 11 | 6CB-14181-01-00 | BODY, FLOAT CHAMBER 1 | 1 | |
| 12 | 6P2-14191-00-00 | .PLUG, DRAIN | 1 | |
| 13 | 6CB-14239-00-00 | .SEAL | 1 | |
| 14 | 6CB-24452-10-00 | .COVER | 1 | |
| 15 | 6CB-14429-01-00 | .SCREW | 3 | |
| 16 | 6CB-24482-00-00 | .GASKET 1 | 1 | |
| 17 | 63P-14567-00-00 | SCREW | 6 | |
| 18 | 69J-13716-00-00 | COLLAR | 8 | |
| 19 | 6CB-13593-00-00 | DAMPER | 4 | |
| 20 | 6AW-13907-10-00 | FUEL PUMP COMP. | 1 | |
| 21 | 63P-13915-00-00 | FILTER | 1 | |
| 22 | 6AW-13132-00-00 | JOINT | 1 | |
| 23 | 6CB-14985-00-00 | FLOAT | 1 | |
| 24 | 6CB-14546-00-00 | VALVE, NEEDLE | 1 | |
| 25 | 6CB-1447B-00-00 | BUSH 1 | 1 | |
| 26 | 6AW-13781-00-00 | DAMPER, PUMP | 1 | |
| 27 | 6CB-24410-00-00 | FUEL PUMP ASSY | 1 | |
| 28 | 6AW-24491-10-00 | BRACKET, FUEL PUMP | 1 | |
| 29 | 6AW-13784-00-00 | COVER, PUMP | 1 | |
| 30 | 4SV-24453-00-00 | SCREW | 1 | |
| 31 | 98507-04008-00 | .SCREW, PAN HEAD | 1 | |
| 32 | 6CB-24492-00-00 | BUSH, FUEL PUMP | 2 | |
| 33 | 6P2-14386-00-00 | PIN, FLOAT | 1 | |
| 34 | 6CB-24592-00-00 | BOLT | 2 | |
| 35 | 6CB-14984-00-00 | GASKET, FLOAT CHAMBER | 1 | |

Part Notes

LF350UCB_0112 / FUEL INJECTION PUMP 1

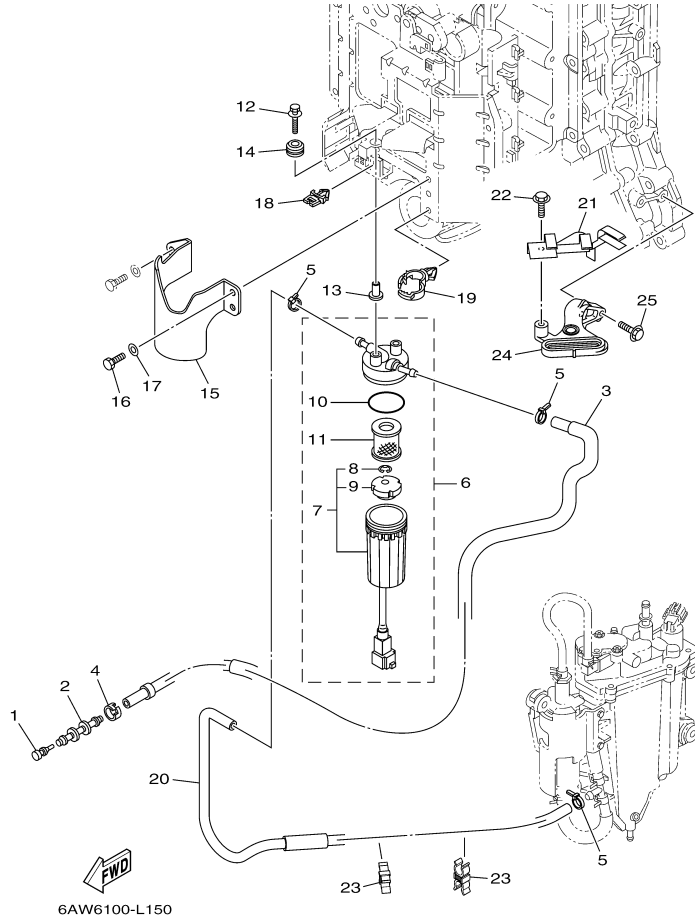
| PART NUMBER | NOTE TEXT |
|---|---|
| 63P-13915-00-00  | OEM: This part number is among the Top 100 Most Popular Marine Maintenance Parts as of February 2013. |



Part List

LF350UCB_0112 / FUEL INJECTION PUMP 2

| REF - NO | PART NUMBER | PART NAME | QUANTITY | REMARKS |
|----------------|-----------------|------------------------|----------|---------|
| 1 | 6P2-14149-00-00 | PIPE | 1 | |
| 2 | 6AW-24323-20-00 | PIPE 12 | 1 | |
| 3 | 6AW-24324-20-00 | PIPE 13 | 1 | |
| 4 | 6AW-24317-20-00 | PIPE 7 | 1 | |
| 5 | 69J-14137-00-00 | CLIP | 3 | |
| 6 | 68V-13577-00-00 | CLIP | 3 | |
| 7 | 6E5-24378-00-00 | PIPE, JOINT 3 | 1 | |
| 8 | 6AW-13532-00-00 | HOSE, VACUUM SENSING 3 | 1 | |
| 9 | 6P2-24376-00-00 | PIPE, JOINT 1 | 1 | |
| 10 | 90446-18002-00 | HOSE | 1 | |
| 11 | 90464-12224-00 | CLAMP | 1 | |
| 12 | 6AW-13971-30-00 | PIPE, FUEL 1 | 1 | |
| 13 | 6AW-13973-30-00 | PIPE, FUEL 3 | 1 | |
| 14 | 6AW-13974-30-00 | PIPE, FUEL 4 | 1 | |
| 15 | 6AW-24300-10-00 | FUEL PIPE JOINT | 2 | |
| 16 | 6AW-24300-00-00 | FUEL PIPE JOINT | 1 | |
| 17 | 68V-13577-00-00 | CLIP | 6 | |
| 18 | 6CB-24461-00-00 | PIPE, JOINT | 1 | |
| 19 | 90464-12012-00 | CLAMP | 1 | |




Part List

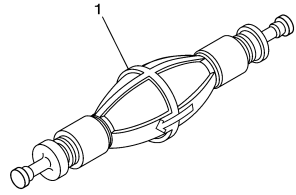
LF350UCB_0112 / FUEL 1

| REF - NO | PART NUMBER | PART NAME | QUANTITY | REMARKS |
|----------|-----------------|----------------------|----------|---------|
| 1 | 689-85547-00-00 | DAMPER | 1 | |
| 2 | 6AW-24377-01-00 | PIPE, JOINT 2 | 1 | |
| 3 | 6AW-24311-11-00 | PIPE, FUEL 1 | 1 | |
| 4 | 6E5-24351-51-00 | BAND 1 | 1 | |
| 5 | 90465-11M10-00 | CLAMP | 3 | |
| 6 | 6P3-24560-22-00 | FILTER ASSY | 1 | |
| 7 | 6P3-24562-21-00 | .CUP, FILTER | 1 | |
| 8 | 6P3-24519-00-00 | ..CLIP | 1 | |
| 9 | 6P3-24469-00-00 | ..FLOAT, WATER LEVEL | 1 | |
| 10 | 6P3-24564-00-00 | .GASKET | 1 | |
| 11 | 6P3-24563-01-00 | .ELEMENT, FILTER | 1 | |
| 12 | 90119-06M17-00 | BOLT, WITH WASHER | 2 | |
| 13 | 90387-06M60-00 | COLLAR | 2 | |
| 14 | 90480-10M23-00 | GROMMET | 2 | |
| 15 | 6AW-24596-00-00 | COVER | 1 | |
| 16 | 97095-06012-00 | BOLT | 2 | |
| 17 | 92995-06600-00 | WASHER | 2 | |
| 18 | 90464-11121-00 | CLAMP | 1 | |
| 19 | 90464-20181-00 | CLAMP | 1 | |
| 20 | 6AW-24313-10-00 | PIPE 3 | 1 | |
| 21 | 6AW-24422-00-00 | PLATE | 1 | |
| 22 | 95895-06012-00 | BOLT, FLANGE | 1 | |
| 23 | 90464-11009-00 | CLAMP | 2 | |
| 24 | 6AW-44117-00-00 | BRACKET | 1 | |
| 25 | 95895-06025-00 | BOLT, FLANGE | 2 | |

Part Notes

LF350UCB_0112 / FUEL 1

| PART NUMBER | NOTE TEXT |
|---|---|
| 6P3-24564-00-00  | OEM: This part number is among the Top 100 Most Popular Marine Maintenance Parts as of February 2013. |

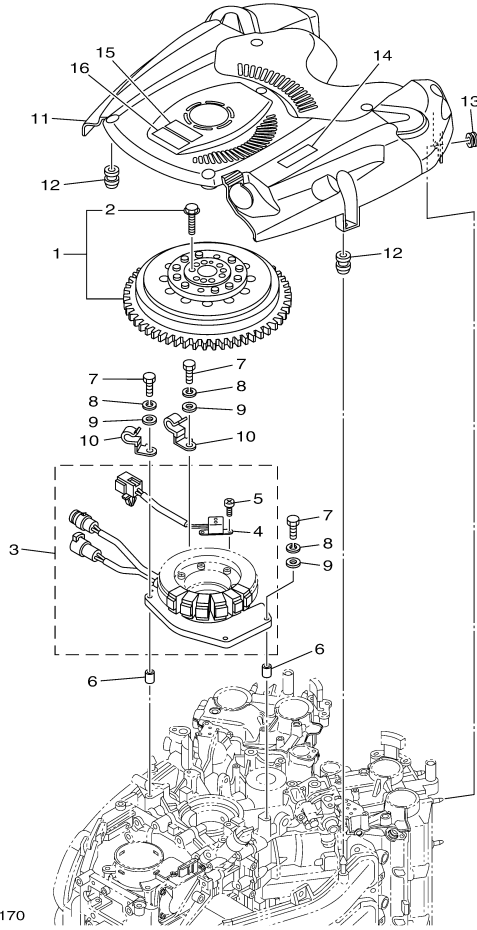


6AW6100-L160

Part List

LF350UCB_0112 / FUEL 2

| REF - NO | PART NUMBER | PART NAME | QUANTITY | REMARKS |
|----------------|-----------------|------------------|----------|---------|
| 1 | 6AW-24360-01-00 | PRIMER PUMP ASSY | 1 | AP |



6AW6100-L170



Part List

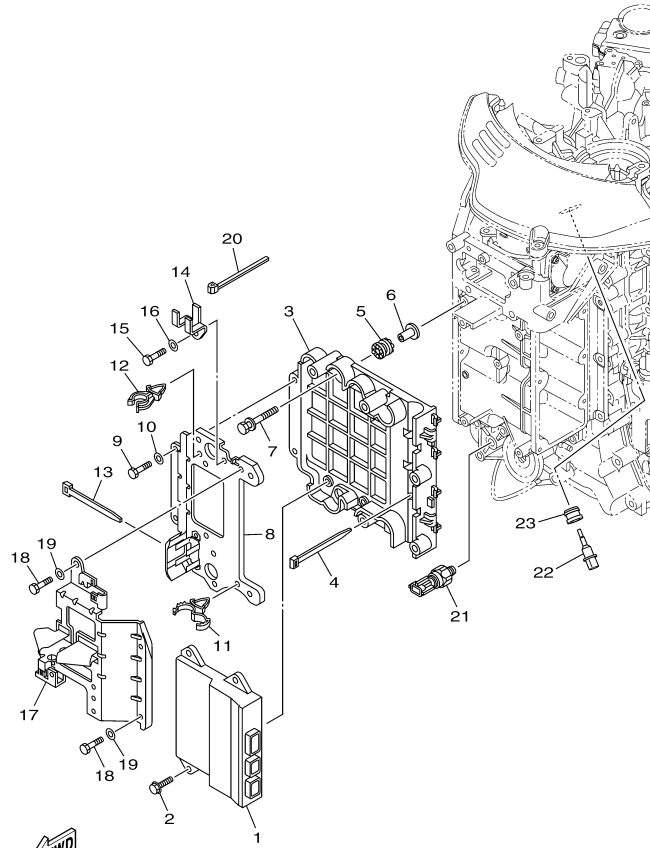
LF350UCB_0112 / GENERATOR

| REF - NO | PART NUMBER | PART NAME | QUANTITY | REMARKS |
|----------|-----------------|-----------------------------|----------|---------|
| 1 | 6AW-W8145-01-00 | ROTOR ASSY WITH BOLTS | 1 | |
| 2 | 6AW-W9011-00-00 | .BOLT SET (FOR ROTOR ASSY) | 1 | |
| 3 | 6AW-81460-00-00 | BASE ASSY | 1 | |
| 4 | 6AW-85580-00-00 | .COIL, PULSER | 1 | |
| 5 | 63D-81345-00-00 | .SCREW, WITH WASHER (M5X12) | 2 | |
| 6 | 99530-08012-00 | PIN, DOWEL | 2 | |
| 7 | 97095-06030-00 | BOLT | 4 | |
| 8 | 92995-06100-00 | WASHER, SPRING | 4 | |
| 9 | 92995-06600-00 | WASHER | 4 | |
| 10 | 90462-10042-00 | CLAMP | 2 | |
| 11 | 6AW-81337-01-00 | COVER, FLYWHEEL | 1 | |
| 12 | 663-82317-01-00 | DAMPER, IGNITION COIL | 4 | |
| 13 | 90480-12314-00 | GROMMET | 2 | |
| 14 | 6AW-13437-51-00 | MARK, CAUTION | 1 | |
| 15 | 6AH-81994-40-00 | LABEL, SAFETY | 1 | |
| 16 | 6AH-81994-50-00 | LABEL, SAFETY | 1 | |

Part Notes

LF350UCB_0112 / GENERATOR

| PART NUMBER | NOTE TEXT |
|--|---|
| 92995-06100-00  | OEM: This part number is among the Top 100 Most Popular Marine Maintenance Parts as of February 2013. |
| 90480-12314-00  | OEM: See Remarks Column: GROMMET used on F115TLR and F/LF115TXR 0510 Production and Later |

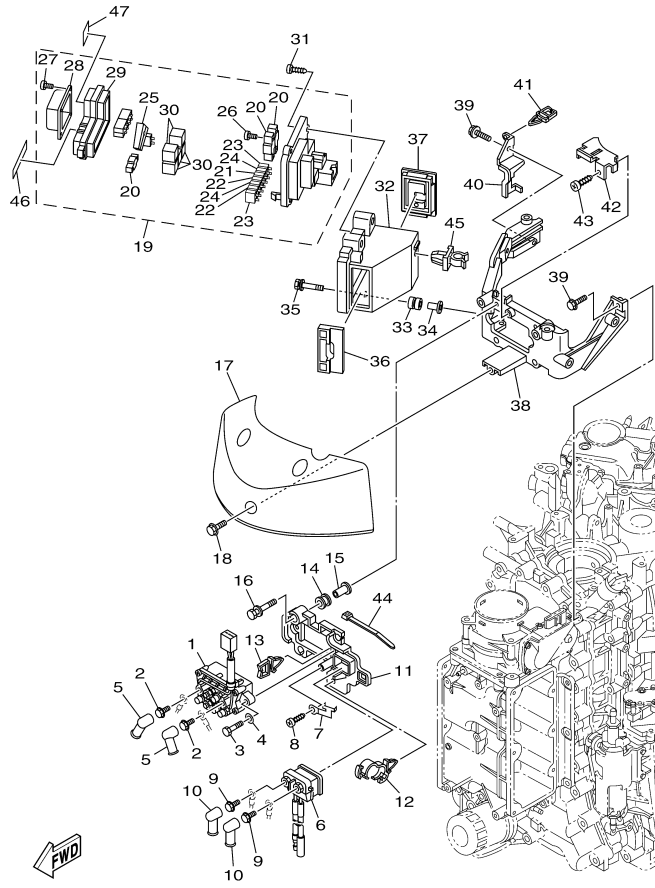


6AW6100-L180

Part List

LF350UCB_0112 / ELECTRICAL 1

| REF - NO | PART NUMBER | PART NAME | QUANTITY | REMARKS |
|----------------|-----------------|-----------------------------|----------|---------|
| 1 | 6AW-8591A-41-00 | ENGINE CONTROL UNIT ASSY | 1 | |
| 2 | 90119-06M82-00 | BOLT, WITH WASHER | 4 | |
| 3 | 6AW-85991-00-00 | BRACKET, UNIT | 1 | |
| 4 | 90465-14M66-00 | CLAMP | 4 | |
| 5 | 60V-85564-00-00 | GROMMET | 4 | |
| 6 | 90387-06176-00 | COLLAR | 4 | |
| 7 | 68F-85119-00-00 | BOLT | 4 | |
| 8 | 6AW-8591C-00-00 | CASE, ECU | 1 | |
| 9 | 97095-06012-00 | BOLT | 5 | |
| 10 | 92995-06600-00 | WASHER | 5 | |
| 11 | 90464-18246-00 | CLAMP | 1 | |
| 12 | 90464-16240-00 | CLAMP | 1 | |
| 13 | 90465-13M24-00 | CLAMP | 1 | |
| 14 | 6AW-82544-01-00 | CLAMP | 1 | |
| 15 | 97095-06012-00 | BOLT | 1 | |
| 16 | 92995-06600-00 | WASHER | 1 | |
| 17 | 6AW-82588-00-00 | PLATE | 1 | |
| 18 | 97095-06012-00 | BOLT | 4 | |
| 19 | 92995-06600-00 | WASHER | 4 | |
| 20 | 90465-14M66-00 | CLAMP | 1 | |
| 21 | 6AW-83651-00-00 | SENDER, OIL PRESSURE | 1 | |
| 22 | 63P-85886-00-00 | SENSOR, AIR TEMPERATURE | 1 | |
| 23 | 63P-14435-00-00 | GROMMET | 1 | |

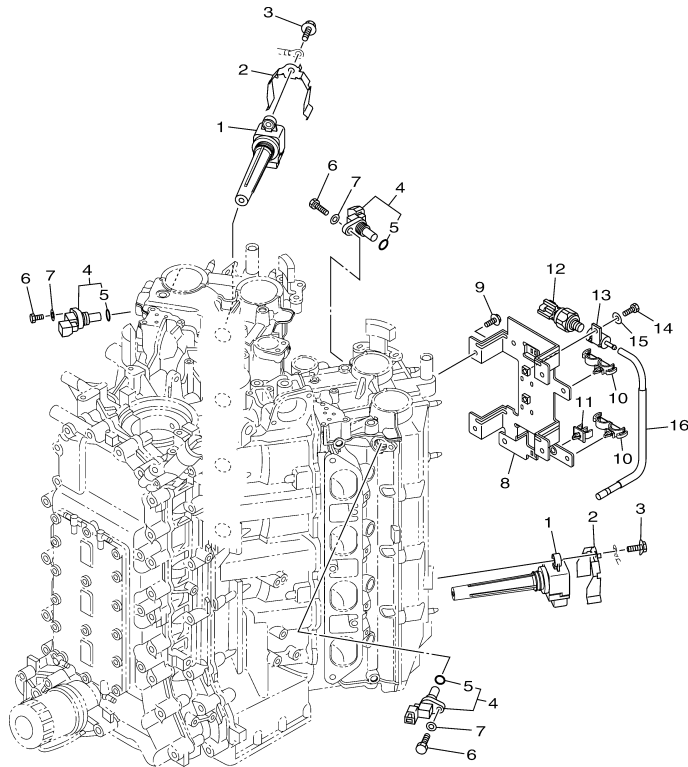


6AW6100-L190

Part List

LF350UCB_0112 / ELECTRICAL 2

| REF - NO | PART NUMBER | PART NAME | QUANTITY | REMARKS |
|----------------|-----------------|-----------------------|----------|---------|
| 1 | 6AW-81950-00-00 | RELAY ASSY | 1 | |
| 2 | 97595-06610-00 | BOLT, WITH WASHER | 2 | |
| 3 | 97013-06020-00 | BOLT | 2 | |
| 4 | 92903-06600-00 | WASHER, PLATE | 2 | |
| 5 | 6G5-82119-10-00 | COVER, LEAD WIRE | 2 | |
| 6 | 6AW-8194A-00-00 | RELAY | 1 | |
| 7 | 68V-81953-00-00 | STAY, RELAY | 1 | |
| 8 | 97780-60620-00 | SCREW, TAPPING | 1 | |
| 9 | 97595-06610-00 | BOLT, WITH WASHER | 2 | |
| 10 | 6G5-82119-00-00 | COVER, LEAD WIRE | 2 | |
| 11 | 6AW-81952-00-00 | HOLDER, RELAY | 1 | |
| 12 | 90464-12183-00 | CLAMP | 1 | |
| 13 | 90464-11121-00 | CLAMP | 1 | |
| 14 | 6A0-82317-00-00 | DAMPER, IGNITION COIL | 4 | |
| 15 | 90387-06119-00 | COLLAR | 4 | |
| 16 | 90119-06M59-00 | BOLT, WITH WASHER | 4 | |
| 17 | 6AW-81942-00-00 | COVER | 1 | |
| 18 | 95895-06016-00 | BOLT, FLANGE | 3 | |
| 19 | 6AW-82170-01-00 | FUSE BOX ASSY | 1 | |
| 20 | 6P2-82151-00-00 | .FUSE (60A) | 3 | |
| 21 | 67F-82151-00-00 | .FUSE (20A) | 2 | |
| 22 | 67F-82151-10-00 | .FUSE (30A) | 3 | |
| 23 | 67F-82151-40-00 | .FUSE (10A) | 3 | |
| 24 | 67F-82151-50-00 | .FUSE (15A) | 3 | |
| 25 | 67F-2812A-00-00 | .PULLER, FUSE | 1 | |
| 26 | 68F-82846-00-00 | .SCREW, PAN HEAD (M5) | 4 | |
| 27 | 6P2-82113-00-00 | .SCREW | 4 | |
| 28 | 6P2-81639-00-00 | .RELAY COVER | 1 | |
| 29 | 6P2-85544-00-00 | .CASE | 1 | |
| 30 | 68F-8195A-00-00 | .RELAY ASSY | 5 | |
| 31 | 97780-50620-00 | SCREW, TAPPING | 4 | |
| 32 | 6AW-82171-00-00 | STAY, FUSE BOX | 1 | |
| 33 | 6A0-82317-00-00 | DAMPER, IGNITION COIL | 3 | |
| 34 | 90387-06119-00 | COLLAR | 3 | |
| 35 | 90119-06M59-00 | BOLT, WITH WASHER | 3 | |
| 36 | 6AW-82572-00-00 | GROMMET 1 | 1 | |
| 37 | 6AW-82573-00-00 | GROMMET 2 | 1 | |
| 38 | 6AW-81948-00-00 | BRACKET | 1 | |
| 39 | 95895-06020-00 | BOLT, FLANGE | 4 | |
| 40 | 6AW-81678-00-00 | CLAMP 2 | 1 | |
| 41 | 90464-11121-00 | CLAMP | 1 | |
| 42 | 6AW-81443-00-00 | CLAMP, LEAD 1 | 1 | |
| 43 | 97780-50514-00 | SCREW, TAPPING | 1 | |
| 44 | 90465-11M10-00 | CLAMP | 2 | |
| 45 | 90464-09008-00 | CLAMP | 1 | |
| 46 | 6AW-81919-20-00 | GRAPHIC, REGULATOR | 1 | |
| 47 | 6AW-81919-31-00 | GRAPHIC, REGULATOR | 1 | |

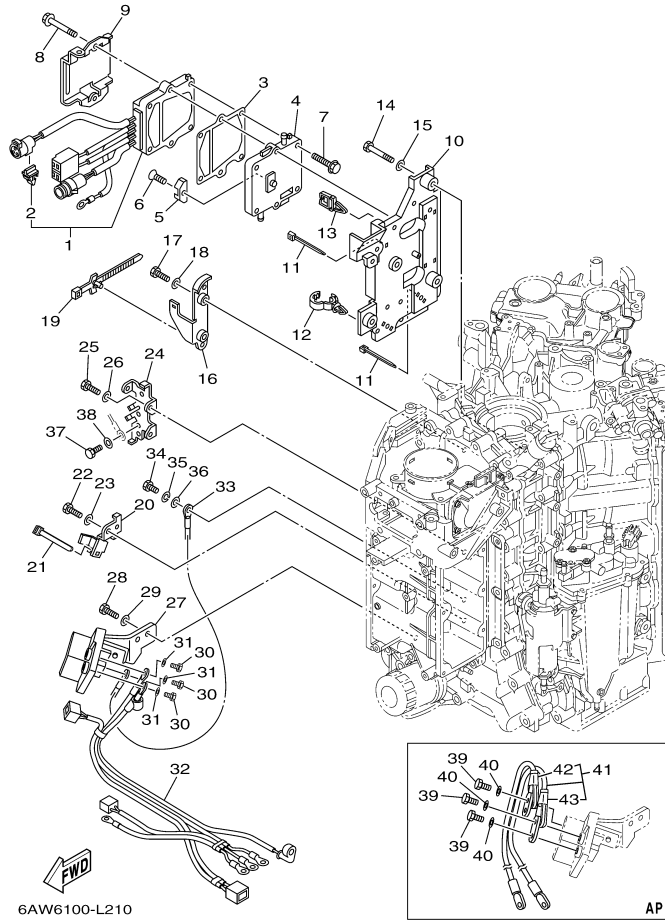


6AW6100-L200

Part List

LF350UCB_0112 / ELECTRICAL 3

| REF - NO | PART NUMBER | PART NAME | QUANTITY | REMARKS |
|----------------|-----------------|-------------------------|----------|---------|
| 1 | 6CB-82310-00-00 | IGNITION COIL ASSY | 8 | |
| 2 | 6AW-81539-00-00 | PLATE, COIL | 8 | |
| 3 | 95895-06025-00 | BOLT, FLANGE | 8 | |
| 4 | 6P2-85896-00-00 | SENSOR, CAM POSITION | 3 | |
| 5 | 6P2-85075-00-00 | .O-RING | 1 | |
| 6 | 97095-06020-00 | BOLT | 3 | |
| 7 | 92995-06600-00 | WASHER | 3 | |
| 8 | 6AW-8366G-10-00 | BRACKET 3 | 1 | |
| 9 | 95895-06016-00 | BOLT, FLANGE | 4 | |
| 10 | 90464-18246-00 | CLAMP | 2 | |
| 11 | 90464-07009-00 | CLAMP | 1 | |
| 12 | 6AW-8366B-00-00 | .SENSOR, WATER PRESSURE | 1 | |
| 13 | 60V-8366D-00-00 | .ADAPTOR, INPUT | 1 | |
| 14 | 97095-06016-00 | BOLT | 1 | |
| 15 | 92995-06600-00 | WASHER | 1 | |
| 16 | 6AW-82353-10-00 | HOSE | 1 | |




Part List

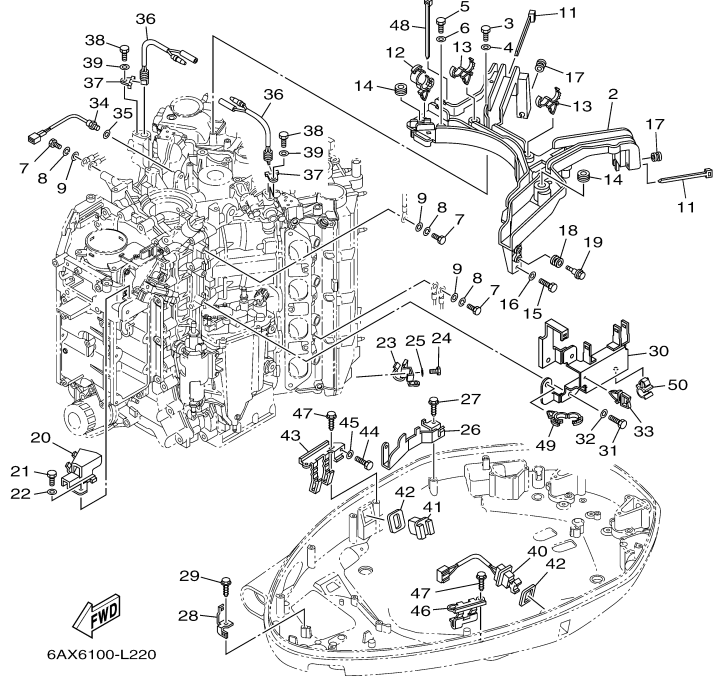
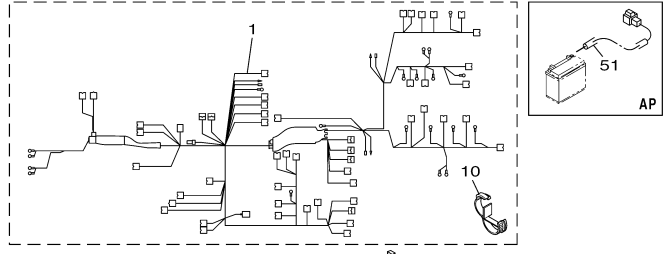
LF350UCB_0112 / ELECTRICAL 4

| REF - NO | PART NUMBER | PART NAME | QUANTITY | REMARKS |
|----------|-----------------|----------------------------|----------|---------|
| 1 | 6AW-81960-01-00 | RECTIFIER & REGULATOR ASSY | 1 | |
| 2 | 90464-12002-00 | .CLAMP | 1 | |
| 3 | 6AW-81975-00-00 | PLATE, RECTIFIER FITTING | 1 | |
| 4 | 6AW-81972-00-9S | COVER, RECTIFIER | 1 | |
| 5 | 6E5-11325-00-00 | ANODE | 1 | |
| 6 | 98780-04015-00 | SCREW, FLAT HEAD | 1 | |
| 7 | 90119-06MA3-00 | BOLT, WITH WASHER | 4 | |
| 8 | 90119-06MA5-00 | BOLT, WITH WASHER | 2 | |
| 9 | 6AW-82581-00-00 | STAY, CORD CLAMP | 1 | |
| 10 | 6AW-8235A-00-00 | CASE 1 | 1 | |
| 11 | 90465-14M66-00 | CLAMP | 5 | |
| 12 | 90464-13249-00 | CLAMP | 1 | |
| 13 | 90464-11121-00 | CLAMP | 1 | |
| 14 | 97095-06016-00 | BOLT | 4 | |
| 15 | 92995-06600-00 | WASHER | 4 | |
| 16 | 6AW-83614-01-00 | BRACKET | 1 | |
| 17 | 97095-06014-00 | BOLT | 2 | |
| 18 | 92995-06600-00 | WASHER | 2 | |
| 19 | 90464-44002-00 | CLAMP | 2 | |
| 20 | 6AW-81328-00-00 | CLAMP | 1 | |
| 21 | 90465-14M66-00 | CLAMP | 1 | |
| 22 | 97095-06016-00 | BOLT | 1 | |
| 23 | 92995-06600-00 | WASHER | 1 | |
| 24 | 6AW-81218-00-00 | TERMINAL | 1 | |
| 25 | 97095-06016-00 | BOLT | 2 | |
| 26 | 92995-06600-00 | WASHER | 2 | |
| 27 | 6AW-81925-01-00 | TERMINAL | 1 | |
| 28 | 97095-08020-00 | BOLT | 2 | |
| 29 | 92995-08600-00 | WASHER | 2 | |
| 30 | 90101-08022-00 | .BOLT | 3 | |
| 31 | 92990-08600-00 | WASHER, PLATE | 3 | |
| 32 | 6AW-8259M-00-00 | WIRE HARNESS ASSY 2 | 1 | |
| 33 | 6AW-82117-01-00 | WIRE, LEAD | 1 | |
| 34 | 97095-06016-00 | BOLT | 1 | |
| 35 | 92995-06100-00 | WASHER, SPRING | 1 | |
| 36 | 92995-06600-00 | WASHER | 1 | |
| 37 | 97095-06010-00 | BOLT | 4 | |
| 38 | 92995-06600-00 | WASHER | 4 | |
| 39 | 97095-08016-00 | BOLT | 3 | AP |
| 40 | 92995-08600-00 | WASHER | 3 | AP |
| 41 | 6AW-82105-00-00 | WIRE HARNESS | 1 | AP |
| 42 | 6AW-82119-00-00 | .COVER, LEAD WIRE | 1 | |
| 43 | 6AW-82119-20-00 | .COVER, LEAD WIRE | 1 | |

Part Notes

LF350UCB_0112 / ELECTRICAL 4

| PART NUMBER | NOTE TEXT |
|--|---|
| 92995-06100-00  | OEM: This part number is among the Top 100 Most Popular Marine Maintenance Parts as of February 2013. |



6AX6100-L220





Part List

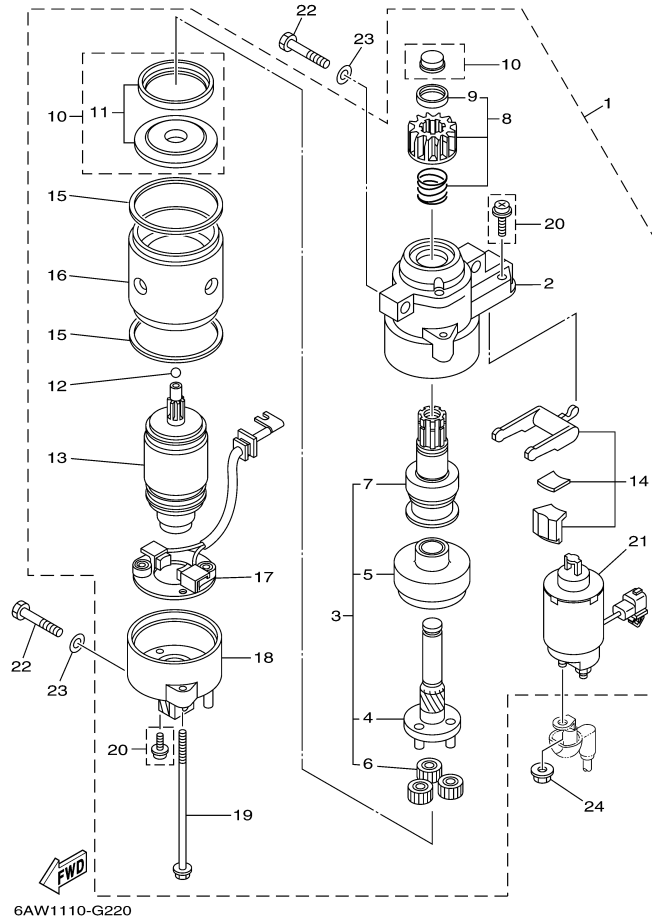
LF350UCB_0112 / ELECTRICAL 5

| REF - NO | PART NUMBER | PART NAME | QUANTITY | REMARKS |
|----------|-----------------|------------------------------|----------|---------|
| 1 | 6AW-82590-20-00 | WIRE HARNESS ASSY | 1 | |
| 2 | 6AW-82589-01-00 | PROTECTOR, WIRE HARNESS | 1 | |
| 3 | 97095-06035-00 | BOLT | 2 | |
| 4 | 92995-06600-00 | WASHER | 2 | |
| 5 | 97095-06025-00 | BOLT | 1 | |
| 6 | 92995-06600-00 | WASHER | 1 | |
| 7 | 97095-06016-00 | BOLT | 3 | |
| 8 | 92995-06100-00 | WASHER, SPRING | 3 | |
| 9 | 92995-06600-00 | WASHER | 3 | |
| 10 | 90464-25005-00 | CLAMP | 1 | |
| 11 | 90465-13M18-00 | CLAMP | 2 | |
| 12 | 90464-20181-00 | CLAMP | 1 | |
| 13 | 90464-18246-00 | CLAMP | 2 | |
| 14 | 90480-19368-00 | GROMMET | 2 | |
| 15 | 97095-06012-00 | BOLT | 1 | |
| 16 | 92995-06600-00 | WASHER | 1 | |
| 17 | 90480-12314-00 | GROMMET | 2 | |
| 18 | 90480-12314-00 | GROMMET | 2 | |
| 19 | 90109-06MA1-00 | BOLT | 2 | |
| 20 | 6AW-82388-00-00 | PLATE | 1 | |
| 21 | 97095-06014-00 | BOLT | 1 | |
| 22 | 92995-06600-00 | WASHER | 1 | |
| 23 | 6AW-81677-00-00 | CLAMP 1 | 1 | |
| 24 | 97095-06014-00 | BOLT | 1 | |
| 25 | 92995-06600-00 | WASHER | 1 | |
| 26 | 6AW-8257G-00-00 | CLAMP, CORD | 1 | |
| 27 | 90109-06M86-00 | BOLT | 1 | |
| 28 | 6AW-42743-00-00 | BRACKET | 1 | |
| 29 | 90109-06M86-00 | BOLT | 1 | |
| 30 | 6AW-81845-10-00 | PLATE | 1 | |
| 31 | 97095-06014-00 | BOLT | 2 | |
| 32 | 92995-06600-00 | WASHER | 2 | |
| 33 | 90464-11121-00 | CLAMP | 1 | |
| 34 | 61A-85790-00-00 | THERMOSENSOR ASSY | 1 | |
| 35 | 92990-10600-00 | WASHER, PLATE | 1 | |
| 36 | 6AW-82560-00-00 | THERMO SWITCH ASSY | 2 | |
| 37 | 6E9-82588-00-00 | PLATE | 2 | |
| 38 | 97095-06016-00 | BOLT | 2 | |
| 39 | 92995-06600-00 | WASHER | 2 | |
| 40 | 6AW-82563-00-00 | TRIM & TILT SWITCH ASSY | 1 | |
| 41 | 69J-42723-01-00 | COVER, BOTTOM | 1 | |
| 42 | 69J-82587-00-00 | GASKET | 2 | |
| 43 | 6AX-83614-00-00 | BRACKET | 1 | |
| 44 | 97095-06014-00 | BOLT | 1 | |
| 45 | 92995-06600-00 | WASHER | 1 | |
| 46 | 63P-83614-01-00 | BRACKET | 1 | |
| 47 | 90109-06M86-00 | BOLT | 4 | |
| 48 | 90465-14M66-00 | CLAMP | 1 | |
| 49 | 90464-20181-00 | CLAMP | 2 | |
| 50 | 90464-08051-00 | CLAMP | 2 | |
| 51 | 69J-81949-02-00 | WIRE, LEAD (ISOLATOR, 3.8M) | 1 | AP |

Part Notes

LF350UCB_0112 / ELECTRICAL 5

| PART NUMBER | NOTE TEXT |
|--|---|
| 92995-06100-00  | OEM: This part number is among the Top 100 Most Popular Marine Maintenance Parts as of February 2013. |
| 90480-12314-00  | OEM: See Remarks Column: GROMMET used on F115TLR and F/LF115TXR 0510 Production and Later |
| 90480-12314-00  | OEM: See Remarks Column: GROMMET used on F115TLR and F/LF115TXR 0510 Production and Later |
| 92990-10600-00  | OEM: This part number is among the Top 100 Most Popular Marine Maintenance Parts as of February 2013. |

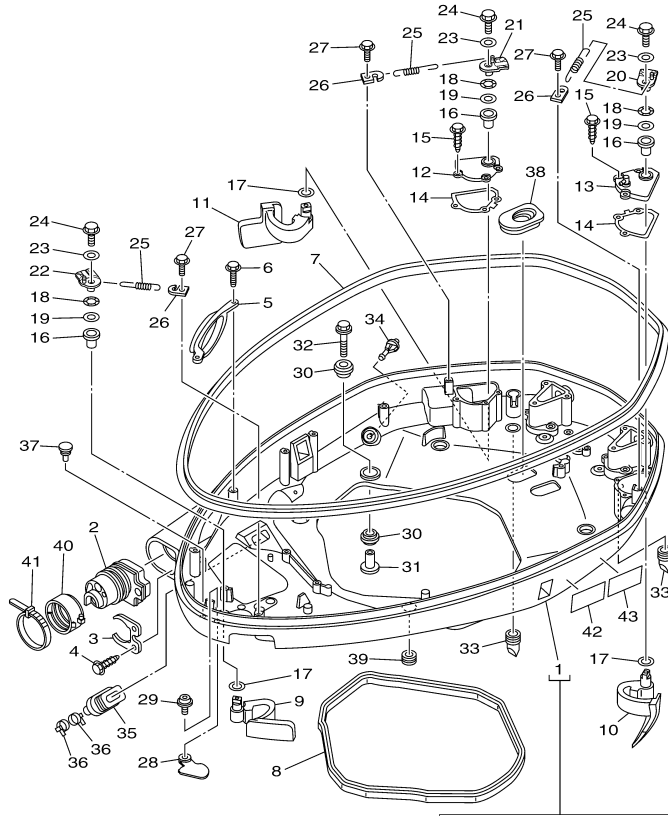


6AW1110-G220

Part List

LF350UCB_0112 / STARTING MOTOR

| REF - NO | PART NUMBER | PART NAME | QUANTITY | REMARKS |
|----------------|-----------------|-------------------------------|----------|---------|
| 1 | 6AW-81800-00-00 | STARTING MOTOR ASSY | 1 | |
| 2 | 6AW-81830-00-00 | .FRONT BRACKET ASSY | 1 | |
| 3 | 6AW-81807-00-00 | .GEAR ASSY, STARTING MOTOR | 1 | |
| 4 | 6AW-81836-00-00 | ..SHAFT, PINION | 1 | |
| 5 | 6AW-81891-00-00 | ..GEAR, RING | 1 | |
| 6 | 6AW-8183T-00-00 | ..GEAR, IDLER | 3 | |
| 7 | 6AW-81832-00-00 | ..CLUTCH, OVER RUN | 1 | |
| 8 | 6AW-81808-00-00 | .PINION ASSY | 1 | |
| 9 | 6AW-81857-00-00 | ..RETAINER | 1 | |
| 10 | 6AW-81862-00-00 | .CAP | 1 | |
| 11 | 6AW-8183R-00-00 | ..PACKING SET | 1 | |
| 12 | 6AW-81854-00-00 | .BALL, STEEL | 1 | |
| 13 | 6AW-81850-00-00 | .ARMATURE ASSY | 1 | |
| 14 | 6AW-81839-00-00 | .LEVER ASSY | 1 | |
| 15 | 6AW-81842-00-00 | .PACKING | 2 | |
| 16 | 6AW-81810-00-00 | .STATOR ASSY | 1 | |
| 17 | 6AW-81840-00-00 | .BRUSH HOLDER ASSY | 1 | |
| 18 | 6AW-81820-00-00 | .REAR BRACKET ASSY | 1 | |
| 19 | 6AW-81826-00-00 | .BOLT | 1 | |
| 20 | 6AW-81846-00-00 | .SCREW | 1 | |
| 21 | 6AW-81941-00-00 | .STARTER RELAY ASSY | 1 | |
| 22 | 97013-08045-00 | BOLT | 3 | |
| 23 | 92903-08600-00 | WASHER, PLATE | 3 | |
| 24 | 90179-08003-00 | NUT | 1 | |



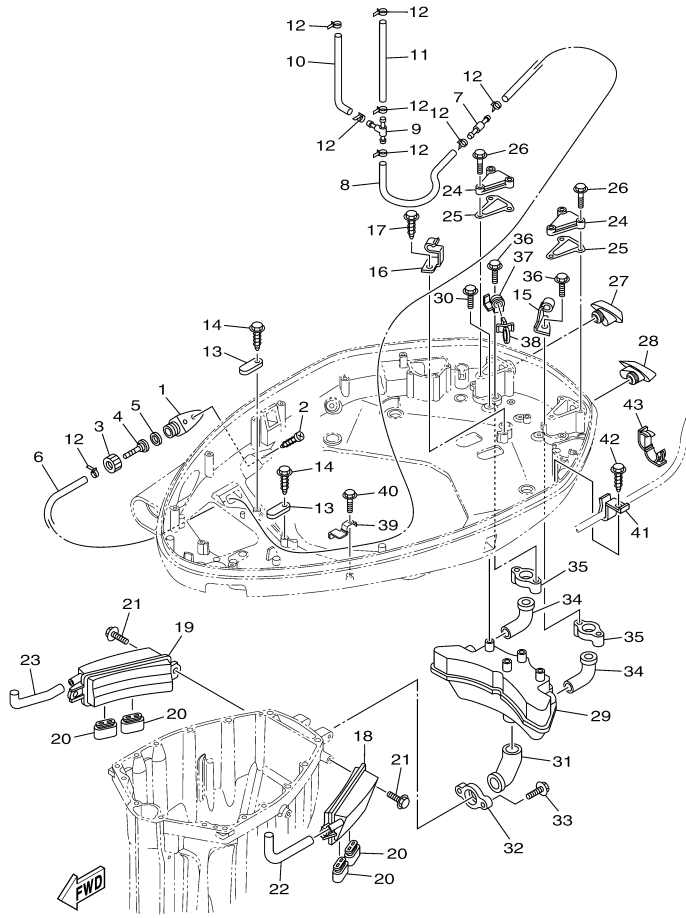

6AX6100-L240

Fig. 6, CYLINDER & CRANKCASE 4
Ref. No. 12
Fig. 22, ELECTRICAL 5
Ref. No. 27, 29, 47
Fig. 24, BOTTOM COWLING 1
Ref. No. 4, 6, 15, 27
Fig. 25, BOTTOM COWLING 2
Ref. No. 14, 17, 26, 40, 42

Part List

LF350UCB_0112 / BOTTOM COWLING 1

| REF - NO | PART NUMBER | PART NAME | QUANTITY | REMARKS |
|----------------|-----------------|--------------------------|----------|---------|
| 1 | 6AW-42710-01-8D | BOTTOM COWLING ASSY | 1 | |
| 2 | 6AW-42725-01-00 | GROMMET | 1 | |
| 3 | 6AW-42761-00-00 | STOPPER | 1 | |
| 4 | 90109-06M86-00 | BOLT | 2 | |
| 5 | 6AW-42735-00-00 | PROTECTOR | 1 | |
| 6 | 90109-06M86-00 | BOLT | 2 | |
| 7 | 6AW-42615-00-00 | SEAL | 1 | |
| 8 | 63P-42716-00-00 | RUBBER, SEAL 1 | 1 | |
| 9 | 6AW-42815-00-8D | LEVER, CLAMP | 1 | |
| 10 | 6AW-42816-01-8D | LEVER, CLAMP | 1 | |
| 11 | 6AW-42817-01-8D | LEVER, CLAMP | 1 | |
| 12 | 6AW-42828-00-9S | PLATE, CLAMP | 1 | |
| 13 | 6AW-42829-00-9S | PLATE, CLAMP 2 | 1 | |
| 14 | 6AW-42722-00-00 | GASKET 2 | 2 | |
| 15 | 90109-06M81-00 | BOLT | 6 | |
| 16 | 90381-15002-00 | BUSH, SOLID | 3 | |
| 17 | 90202-15M37-00 | WASHER, PLATE | 3 | |
| 18 | 90206-15M18-00 | WASHER, WAVE | 3 | |
| 19 | 90201-156J2-00 | WASHER, PLATE | 3 | |
| 20 | 6AW-42818-01-00 | LEVER, CLAMP | 1 | |
| 21 | 6AW-42819-01-00 | LEVER, CLAMP | 1 | |
| 22 | 6AW-4281A-01-00 | LEVER, CLAMP 6 | 1 | |
| 23 | 90201-06M30-00 | WASHER, PLATE | 3 | |
| 24 | 90105-06155-00 | BOLT, FLANGE | 3 | |
| 25 | 90506-22001-00 | SPRING, TENSION | 3 | |
| 26 | 66T-43144-00-00 | HOOK, SPRING | 3 | |
| 27 | 90109-06M86-00 | BOLT | 3 | |
| 28 | 6AW-42851-00-00 | COVER, CLAMP | 1 | |
| 29 | 90111-06094-00 | BOLT,HEX. SOCKET BUTTON | 1 | |
| 30 | 90480-22M81-00 | GROMMET | 12 | |
| 31 | 90387-08M37-00 | COLLAR | 6 | |
| 32 | 90119-08M22-00 | BOLT, WITH WASHER | 6 | |
| 33 | 61A-42717-00-00 | RUBBER, SEAL 2 | 2 | |
| 34 | 6P2-44391-00-00 | NIPPLE, HOSE | 1 | |
| 35 | 6H1-42726-21-00 | GROMMET | 1 | |
| 36 | 90465-11M10-00 | CLAMP | 2 | |
| 37 | 6H4-42748-00-00 | GROMMET | 1 | |
| 38 | 6AW-42726-00-00 | GROMMET | 2 | |
| 39 | 90480-16007-00 | GROMMET | 1 | |
| 40 | 68F-42753-00-00 | FASTNER | 1 | AP |
| 41 | 90464-20258-00 | CLAMP | 1 | AP |
| 42 | 6AH-42794-40-00 | LABEL, WARNING (GENERAL) | 1 | |
| 43 | 6AH-42794-50-00 | LABEL, WARNING (GENERAL) | 1 | |

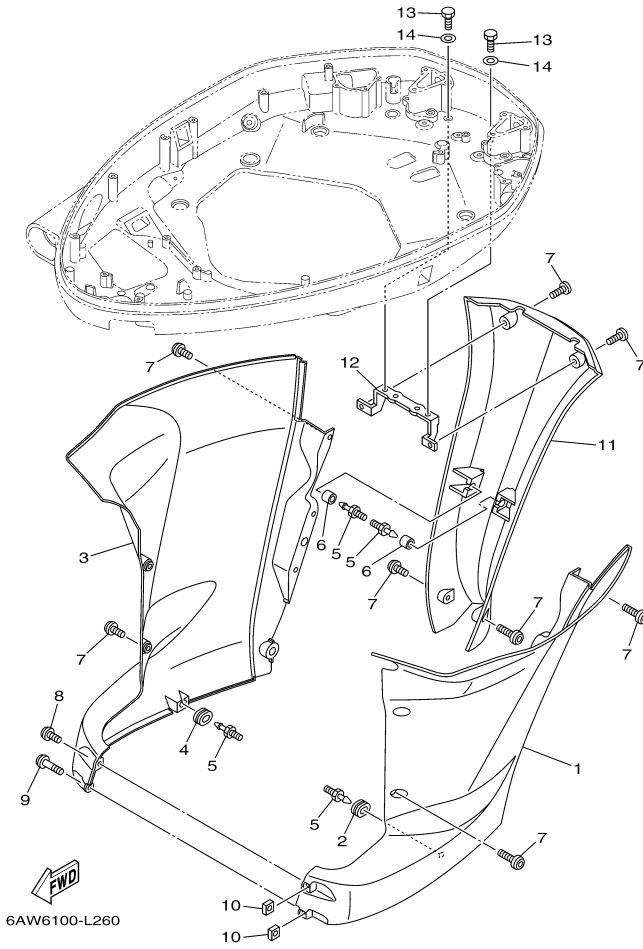


6AX6100-L250

Part List

LF350UCB_0112 / BOTTOM COWLING 2

| REF - NO | PART NUMBER | PART NAME | QUANTITY | REMARKS |
|----------|-----------------|--------------------|----------|---------|
| 1 | 6AW-12572-00-00 | ADAPTER | 1 | |
| 2 | 97780-60520-00 | SCREW, TAPPING | 2 | |
| 3 | 6R3-12581-00-00 | JOINT, HOSE 1 | 1 | |
| 4 | 6AW-12582-00-00 | JOINT, HOSE 2 | 1 | |
| 5 | 6R3-12583-00-00 | GASKET, HOSE JOINT | 1 | |
| 6 | 90445-14015-00 | HOSE (L1520) | 1 | |
| 7 | 6AW-42785-00-00 | PIPE | 1 | |
| 8 | 90445-14013-00 | HOSE (L480) | 1 | |
| 9 | 6AW-42169-00-00 | JOINT | 1 | |
| 10 | 66V-24314-00-00 | PIPE 4 | 1 | |
| 11 | 90445-116J1-00 | HOSE (L185) | 1 | |
| 12 | 90465-11M10-00 | CLAMP | 8 | |
| 13 | 6E5-82588-00-00 | PLATE | 2 | |
| 14 | 90109-06M81-00 | BOLT | 2 | |
| 15 | 90465-08M82-00 | CLAMP | 1 | |
| 16 | 6AW-42744-00-00 | STAY | 1 | |
| 17 | 90109-06M86-00 | BOLT | 1 | |
| 18 | 6AW-42733-00-00 | BOX, DRAIN | 1 | |
| 19 | 6AW-42734-00-00 | BOX, DRAIN 2 | 1 | |
| 20 | 69J-42717-00-00 | RUBBER, SEAL 2 | 4 | |
| 21 | 95895-06016-00 | BOLT, FLANGE | 4 | |
| 22 | 6AW-42786-00-00 | HOSE, DRAIN 1 | 1 | |
| 23 | 6AW-42787-00-00 | HOSE, DRAIN 2 | 1 | |
| 24 | 6AW-42723-00-9S | COVER, BOTTOM | 2 | |
| 25 | 6AW-42721-00-00 | GASKET 1 | 2 | |
| 26 | 90109-06M81-00 | BOLT | 6 | |
| 27 | 6AW-42769-00-00 | SEAL, RUBBER | 1 | |
| 28 | 6AW-42629-00-00 | SEAL | 1 | |
| 29 | 6AW-14750-00-00 | SILENCER ASSY | 1 | |
| 30 | 95875-06016-00 | BOLT, FLANGE | 4 | |
| 31 | 6AW-1475E-00-00 | PIPE 2 | 1 | |
| 32 | 6AW-14763-00-00 | SPACER | 1 | |
| 33 | 95875-06025-00 | BOLT, FLANGE | 2 | |
| 34 | 6AW-1475F-00-00 | PIPE 3 | 2 | |
| 35 | 6AW-14764-00-CA | SPACER | 2 | |
| 36 | 95875-06016-00 | BOLT, FLANGE | 4 | |
| 37 | 6AW-8339X-00-00 | CLAMP, CORD | 1 | |
| 38 | 90464-12001-00 | CLAMP | 1 | |
| 39 | 6AW-42767-00-00 | BRACKET | 1 | |
| 40 | 90109-06M86-00 | BOLT | 1 | |
| 41 | 6AX-8257G-00-00 | CLAMP, CORD | 1 | |
| 42 | 90109-06M86-00 | BOLT | 1 | |
| 43 | 90464-18001-00 | CLAMP | 2 | |




Part List

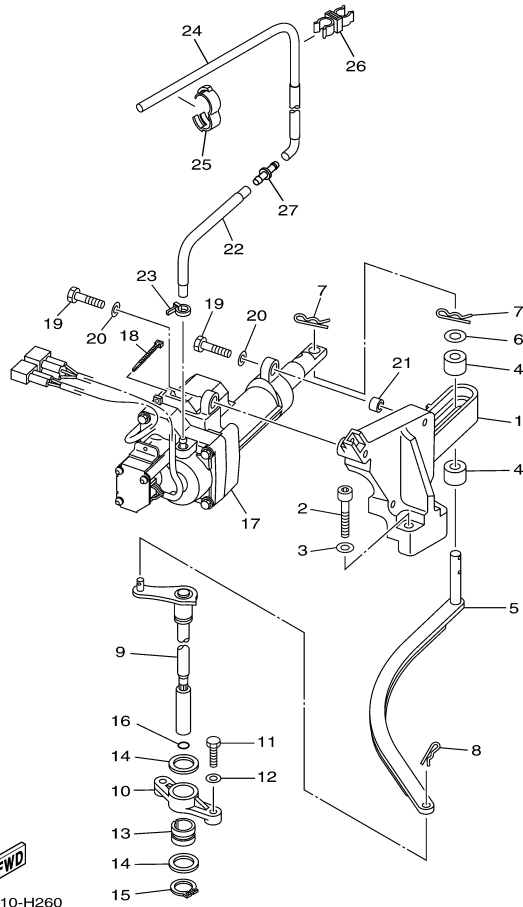
LF350UCB_0112 / BOTTOM COWLING 3

| REF - NO | PART NUMBER | PART NAME | QUANTITY | REMARKS |
|----------|-----------------|-------------------------|----------|---------|
| 1 | 6AW-42741-00-8D | APRON | 1 | |
| 2 | 90480-14M17-00 | GROMMET | 1 | |
| 3 | 6AW-42771-00-8D | APRON | 1 | |
| 4 | 90480-14M17-00 | GROMMET | 1 | |
| 5 | 69J-42774-10-00 | STAY, APRON 1 | 4 | |
| 6 | 90386-07001-00 | BUSH | 2 | |
| 7 | 90111-06111-00 | BOLT,HEX. SOCKET BUTTON | 14 | |
| 8 | 90111-06111-00 | BOLT,HEX. SOCKET BUTTON | 1 | |
| 9 | 90111-06113-00 | BOLT,HEX. SOCKET BUTTON | 1 | |
| 10 | 90173-06001-00 | NUT, SQUARE | 2 | |
| 11 | 6AW-45151-01-8D | COVER, UPPER CASING | 1 | |
| 12 | 6AW-42775-00-00 | STAY, APRON 2 | 1 | |
| 13 | 97095-06014-00 | BOLT | 2 | |
| 14 | 92995-06600-00 | WASHER | 2 | |

Part Notes

LF350UCB_0112 / BOTTOM COWLING 3

| PART NUMBER | NOTE TEXT |
|--|---|
| 90173-06001-00  | OEM: This part number is among the Top 100 Most Popular Marine Maintenance Parts as of February 2013. |



6BJ2110-H260


Part List

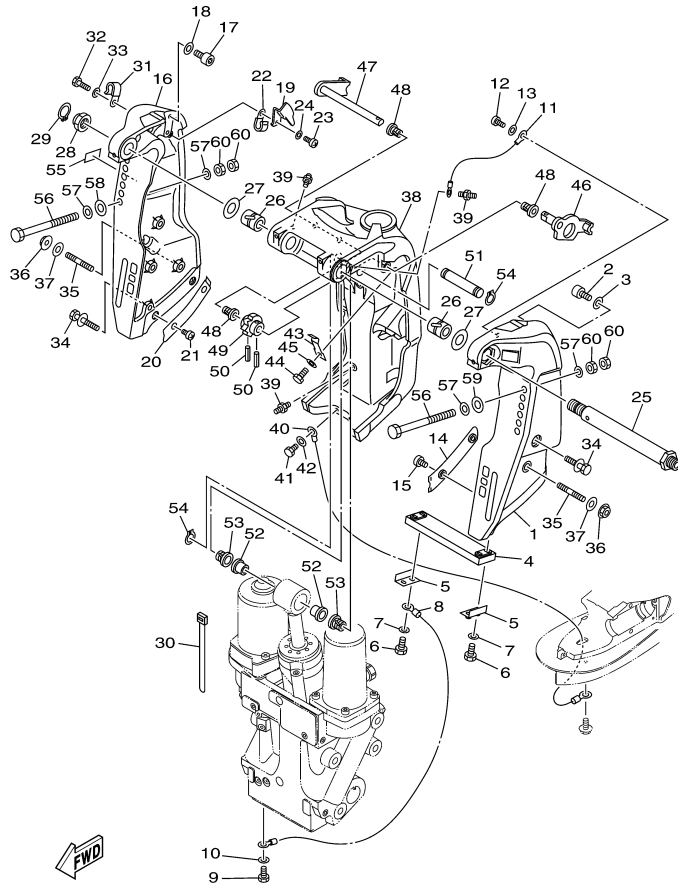
LF350UCB_0112 / CONTROL

| REF - NO | PART NUMBER | PART NAME | QUANTITY | REMARKS |
|----------|-----------------|---------------------------|----------|----------|
| 1 | 6AW-44176-00-00 | BRACKET | 1 | |
| 2 | 90110-08085-00 | BOLT, HEXAGON SOCKET HEAD | 2 | |
| 3 | 92990-08600-00 | WASHER, PLATE | 2 | |
| 4 | 6AW-44122-00-00 | BUSHING, SHIFT ROD LEVER | 2 | |
| 5 | 6AW-44121-00-00 | LEVER, SHIFT ROD | 1 | |
| 6 | 90201-11008-00 | WASHER, PLATE | 1 | |
| 7 | 90468-180A0-00 | CLIP | 2 | |
| 8 | 90468-18008-00 | CLIP | 1 | |
| 9 | 6AW-44120-10-00 | HANDLE GEAR SHIFT ASSY | 1 | U(30.1") |
| 10 | 6AW-44118-00-00 | BRACKET | 1 | |
| 11 | 97095-06025-00 | BOLT | 2 | |
| 12 | 92995-06600-00 | WASHER | 2 | |
| 13 | 90380-19001-00 | BUSH, SOLID | 1 | |
| 14 | 90202-19001-00 | WASHER, PLATE | 2 | |
| 15 | 93410-19088-00 | CIRCLIP | 1 | |
| 16 | 93210-09165-00 | O-RING | 1 | |
| 17 | 6AW-4820A-11-00 | ACTUATOR UNIT | 1 | |
| 18 | 90465-11M10-00 | CLAMP | 1 | |
| 19 | 97080-08030-00 | BOLT | 4 | |
| 20 | 92900-08600-00 | WASHER | 4 | |
| 21 | 90387-08M31-00 | COLLAR | 2 | |
| 22 | 6AW-24314-10-00 | PIPE 4 | 1 | |
| 23 | 90465-11M10-00 | CLAMP | 1 | |
| 24 | 6AW-24314-00-00 | PIPE 4 | 1 | |
| 25 | 90464-16001-00 | CLAMP | 1 | |
| 26 | 90464-10M59-00 | CLAMP | 1 | |
| 27 | 6G8-24376-00-00 | PIPE, JOINT 1 | 1 | |

Part Notes

LF350UCB_0112 / CONTROL

| PART NUMBER | NOTE TEXT |
|--|---|
| 90468-18008-00  | OEM: This part number is among the Top 100 Most Popular Marine Maintenance Parts as of February 2013. |



6AW4100-K280


Part List

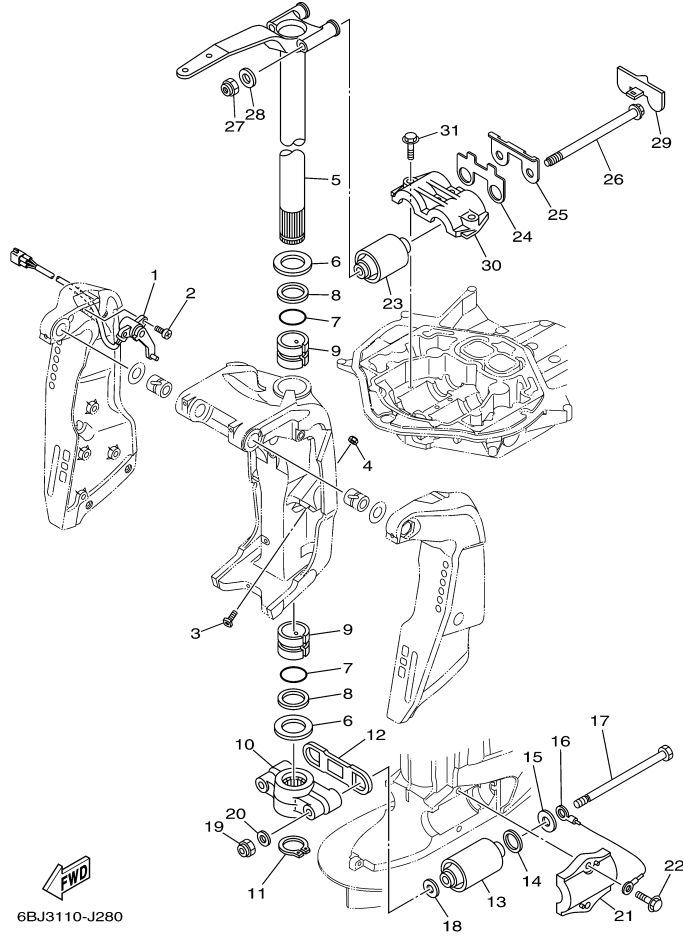
LF350UCB_0112 / BRACKET 1

| REF - NO | PART NUMBER | PART NAME | QUANTITY | REMARKS |
|----------------|-----------------|------------------------------|----------|---------|
| 1 | 6AW-43111-00-8D | BRACKET, CLAMP 1 | 1 | |
| 2 | 91314-10020-00 | BOLT, HEXAGON SOCKET HEAD | 1 | |
| 3 | 90201-10049-00 | WASHER, PLATE | 1 | |
| 4 | 6AW-45251-00-00 | ANODE | 1 | |
| 5 | 6G5-44526-00-00 | PLATE | 2 | |
| 6 | 97095-06030-00 | BOLT | 4 | |
| 7 | 92995-06600-00 | WASHER | 4 | |
| 8 | 6H1-82148-00-00 | WIRE, LEAD 4 | 1 | |
| 9 | 97095-06010-00 | BOLT | 1 | |
| 10 | 92995-06600-00 | WASHER | 1 | |
| 11 | 6H1-82148-00-00 | WIRE, LEAD 4 | 1 | |
| 12 | 97885-06012-00 | SCREW, PAN HEAD | 1 | |
| 13 | 92995-06600-00 | WASHER | 1 | |
| 14 | 61A-43132-00-00 | WASHER, FRICTION | 1 | |
| 15 | 97885-06010-00 | SCREW, PAN HEAD | 2 | |
| 16 | 6AW-43112-00-8D | BRACKET, CLAMP 2 | 1 | |
| 17 | 91314-10020-00 | BOLT, HEXAGON SOCKET HEAD | 1 | |
| 18 | 90201-10049-00 | WASHER, PLATE | 1 | |
| 19 | 6AW-43113-00-00 | PLATE, CLAMP BRACKET | 1 | |
| 20 | 61A-43133-00-00 | WASHER,FRICTION | 1 | |
| 21 | 97885-06010-00 | SCREW, PAN HEAD | 2 | |
| 22 | 90465-08M83-00 | CLAMP | 1 | |
| 23 | 97885-06012-00 | SCREW, PAN HEAD | 1 | |
| 24 | 92995-06600-00 | WASHER | 1 | |
| 25 | 6R3-43131-10-00 | BOLT, CLAMP BRACKET | 1 | |
| 26 | 90386-25003-00 | BUSH | 2 | |
| 27 | 90201-26014-00 | WASHER, PLATE | 2 | |
| 28 | 90185-22007-00 | NUT, SELF-LOCKING | 1 | |
| 29 | 93410-21089-00 | CIRCLIP | 1 | |
| 30 | 90465-11M10-00 | CLAMP | 3 | |
| 31 | 90465-08M83-00 | CLAMP | 1 | |
| 32 | 97095-06014-00 | BOLT | 1 | |
| 33 | 92995-06600-00 | WASHER | 1 | |
| 34 | 90119-10039-00 | BOLT, WITH WASHER | 6 | |
| 35 | 90116-10047-00 | BOLT, STUD | 2 | |
| 36 | 95780-10300-00 | NUT, FLANGE | 2 | |
| 37 | 90201-10048-00 | WASHER, PLATE | 2 | |
| 38 | 6AW-43311-00-8D | BRACKET, SWIVEL 1 | 1 | |
| 39 | 93700-06M03-00 | NIPPLE, GREASE | 3 | |
| 40 | 6E5-82147-00-00 | WIRE, LEAD 5 | 1 | |
| 41 | 97095-06010-00 | BOLT | 1 | |
| 42 | 92995-06600-00 | WASHER | 1 | |
| 43 | 6AW-44116-00-00 | SPRING | 1 | |
| 44 | 97095-06010-00 | BOLT | 1 | |
| 45 | 92995-06600-00 | WASHER | 1 | |
| 46 | 6AW-43181-01-00 | LEVER, TILT STOP 1 | 1 | |
| 47 | 6AW-43185-01-00 | LEVER, TILT STOP 2 | 1 | |
| 48 | 90386-10M16-00 | BUSH | 3 | |
| 49 | 6AW-43148-00-00 | COLLAR, DISTANCE | 1 | |
| 50 | 91690-30020-00 | PIN, SPRING | 2 | |
| 51 | 6AW-43126-01-00 | PIN, UPPER SHOCK MOUNT | 1 | |
| 52 | 90386-18M63-00 | BUSH | 2 | |
| 53 | 90386-18M14-00 | BUSH | 2 | |
| 54 | 93410-18M05-00 | CIRCLIP | 2 | |
| 55 | 63V-82377-50-00 | LABEL (SPARK,IGNITION) | 1 | |
| 56 | 90101-12036-00 | BOLT (170MM) | 2 | AP |
| 56 | 90101-12031-00 | BOLT (150MM) | 6 | |
| 57 | 90201-12060-00 | WASHER, PLATE | 12 | |
| 58 | 90201-12426-00 | WASHER, PLATE | 2 | |
| 59 | 90201-13M19-00 | WASHER, PLATE | 4 | |
| 60 | 95380-12600-00 | NUT | 12 | |

Part Notes

LF350UCB_0112 / BRACKET 1

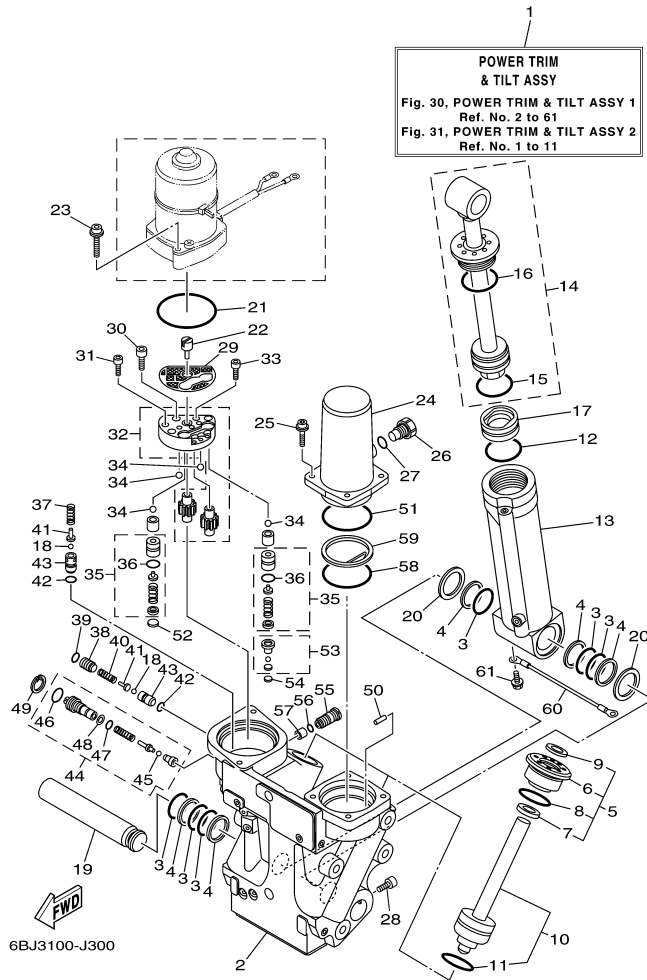
| PART NUMBER | NOTE TEXT |
|--|---|
| 93700-06M03-00  | OEM: This part number is among the Top 100 Most Popular Marine Maintenance Parts as of February 2013. |



Part List

LF350UCB_0112 / BRACKET 2

| REF - NO | PART NUMBER | PART NAME | QUANTITY | REMARKS |
|----------------|-----------------|----------------------------------|----------|---------|
| 1 | 6AW-83672-00-00 | TRIM SENDER | 1 | |
| 2 | 97885-06016-00 | SCREW, PAN HEAD | 2 | |
| 3 | 6AW-43376-00-00 | BOLT, THRUST RECEIVER | 2 | |
| 4 | 95780-10300-00 | NUT, FLANGE | 2 | |
| 5 | 6AW-42510-01-8D | STEERING BRACKET ASSY | 1 | |
| 6 | 90201-46008-00 | WASHER, PLATE | 2 | |
| 7 | 93210-43001-00 | O-RING | 2 | |
| 8 | 90202-45001-00 | WASHER, PLATE | 2 | |
| 9 | 90386-45002-00 | BUSH | 2 | |
| 10 | 6AW-44551-00-CA | HOUSING, LOWER MOUNT RUBBER 1 | 1 | |
| 11 | 93410-44087-00 | CIRCLIP | 1 | |
| 12 | 6AW-44575-00-00 | DAMPER, LOWER MOUNT RUBBER | 1 | |
| 13 | 6AW-44555-00-00 | MOUNT DAMPER, LOWER SIDE | 2 | |
| 14 | 90202-32M19-00 | WASHER, PLATE | 2 | |
| 15 | 90201-16016-00 | WASHER, PLATE | 2 | |
| 16 | 6AW-82149-00-00 | WIRE, LEAD 3 | 1 | |
| 17 | 90101-14004-00 | BOLT | 2 | |
| 18 | 90201-15M58-00 | WASHER, PLATE | 2 | |
| 19 | 90185-14M00-00 | NUT, SELF-LOCKING | 2 | |
| 20 | 92995-14600-00 | WASHER | 2 | |
| 21 | 6AW-44552-00-CA | HOUSING, LOWER MOUNT RUBBER 2 | 2 | |
| 22 | 90119-10024-00 | BOLT, WITH WASHER | 4 | |
| 23 | 6AW-44514-01-94 | MOUNT DAMPER, UPPER SIDE | 2 | |
| 24 | 6AW-44532-00-00 | STOPPER, UPPER MOUNT | 1 | |
| 25 | 6AW-44526-00-00 | PLATE | 1 | |
| 26 | 90105-16003-00 | BOLT, FLANGE | 2 | |
| 27 | 90185-16008-00 | NUT, SELF-LOCKING | 2 | |
| 28 | 90201-16030-00 | WASHER, PLATE | 2 | |
| 29 | 6AW-44533-00-00 | DAMPER, UPPER MOUNT RUBBER | 1 | |
| 30 | 6AW-44511-01-CA | COVER, UPPER MOUNT | 1 | |
| 31 | 90119-10024-00 | BOLT, WITH WASHER | 4 | |




Part List

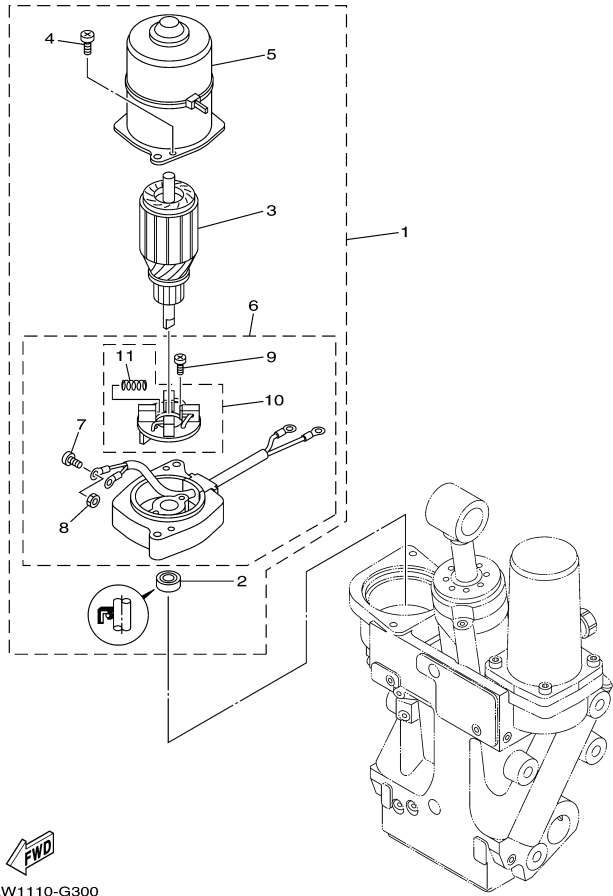
LF350UCB_0112 / POWER TRIM TILT ASSY 1

| REF - NO | PART NUMBER | PART NAME | QUANTITY | REMARKS |
|----------------|-----------------|------------------------------|----------|---------|
| 1 | 6AW-43800-02-00 | POWER TRIM & TILT ASSY | 1 | |
| 2 | 6AW-43825-01-00 | HOUSING, TRIM & TILT | 1 | |
| 3 | 6AW-4389H-00-00 | O-RING | 6 | |
| 4 | 6AW-43871-00-00 | RING, BACK UP | 5 | |
| 5 | 6AW-4380R-00-00 | CYLINDER END SUB ASSY | 2 | |
| 6 | 6AW-43821-00-00 | .SCREW, TRIM CYLINDER END | 1 | |
| 7 | 6AW-4384J-00-00 | .SEAL, TRIM DOWN | 1 | |
| 8 | 6E5-43862-00-00 | .O-RING | 1 | |
| 9 | 6AW-43822-00-00 | .SEAL, TRIM DUST | 1 | |
| 10 | 6AW-43820-01-00 | TRIM PISTON SUB ASSY | 2 | |
| 11 | 6G5-43864-00-00 | .O-RING | 1 | |
| 12 | 6E5-43862-00-00 | O-RING | 1 | |
| 13 | 6AW-43813-00-00 | CYLINDER, TILT | 1 | |
| 14 | 6AW-43810-01-00 | TILT PISTON SUB ASSY | 1 | |
| 15 | 6E5-43862-00-00 | .O-RING | 1 | |
| 16 | 64E-43866-00-00 | .O-RING | 1 | |
| 17 | 6AW-43814-00-00 | PISTON, FREE | 1 | |
| 18 | 64E-43858-00-00 | .BALL | 2 | |
| 19 | 6AW-4381A-00-00 | SHAFT | 1 | |
| 20 | 6AW-4387G-00-00 | WASHER | 2 | |
| 21 | 64E-43868-00-00 | O-RING | 1 | |
| 22 | 64E-43831-00-00 | CONNECTOR, SHAFT | 1 | |
| 23 | 6AW-43879-00-00 | SCREW, WITH WASHER | 2 | |
| 24 | 6AW-43828-00-00 | BODY, RESERVOIR | 1 | |
| 25 | 6AW-43887-00-00 | BOLT | 4 | |
| 26 | 6AW-43829-00-00 | PLUG, RESERVOIR | 1 | |
| 27 | 6AW-43897-00-00 | O-RING | 1 | |
| 28 | 6AW-4388E-00-00 | BOLT ,SCREW | 1 | |
| 29 | 64E-43817-11-00 | FILTER 2 | 1 | |
| 30 | 6AW-43878-00-00 | BOLT, SOCKET | 4 | |
| 31 | 6AW-43888-00-00 | BOLT, SOCKET | 3 | |
| 32 | 6AW-43830-00-00 | GEAR PUMP ASSY | 1 | |
| 33 | 6AW-43886-00-00 | BOLT | 1 | |
| 34 | 6AW-43858-00-00 | .BALL | 4 | |
| 35 | 6AW-43802-00-00 | VALVE SUB ASSY | 2 | |
| 36 | 6E5-43896-00-00 | .O-RING | 1 | |
| 37 | 6AW-43856-00-00 | SPRING, DOWN RELIEF | 1 | |
| 38 | 6AW-4388J-00-00 | PLUG 2 | 1 | |
| 39 | 6AW-43869-00-00 | O-RING | 1 | |
| 40 | 6AW-4384H-00-00 | SPRING | 1 | |
| 41 | 6AW-43844-00-00 | PIN, VALVE SUPPORT | 2 | |
| 42 | 6G5-43863-00-00 | .O-RING | 2 | |
| 43 | 6AW-4382G-00-00 | VALVE SEAT | 2 | |
| 44 | 6AW-43860-01-00 | MANUAL VALVE SUB-ASSY | 1 | |
| 45 | 64E-43858-00-00 | .BALL | 1 | |
| 46 | 72X-85075-L0-00 | .O-RING | 1 | |
| 47 | 64E-4387A-00-00 | .O-RING | 1 | |
| 48 | 64E-43873-00-00 | .RING, BACK UP | 1 | |
| 49 | 6AW-43875-00-00 | RING, SNAP | 1 | |
| 50 | 6AW-4381G-00-00 | PIN 1 | 1 | |
| 51 | 6AW-43861-00-00 | O-RING | 1 | |
| 52 | 6AW-43817-00-00 | FILTER 2 | 1 | |
| 53 | 6AW-43809-00-00 | SEAT VALVE COMP. 2 | 1 | |
| 54 | 64E-43816-00-00 | .FILTER 1 | 1 | |
| 55 | 6AX-4388J-00-00 | PLUG 2 | 1 | |
| 56 | 64E-43865-00-00 | .O-RING | 1 | |
| 57 | 6AW-4388H-00-00 | PLUG | 1 | |
| 58 | 6AW-4389J-00-00 | O-RING | 1 | |
| 59 | 6AW-43899-00-00 | PLATE STOPPER | 1 | |
| 60 | 6H1-82148-00-00 | WIRE, LEAD 4 | 1 | |
| 61 | 97595-06510-00 | BOLT, WITH WASHER | 1 | |

Part Notes

LF350UCB_0112 / POWER TRIM TILT ASSY 1

| PART NUMBER | | NOTE TEXT |
|-----------------|---|---|
| 6G5-43864-00-00 |  | OEM: This part number is among the Top 100 Most Popular Marine Maintenance Parts as of February 2013. |

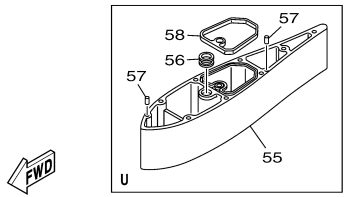
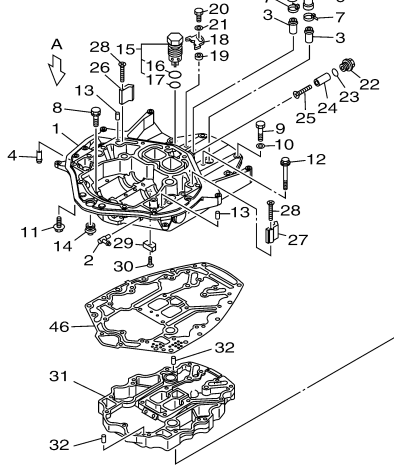
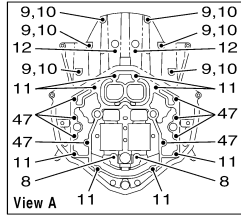



6AW1110-G300

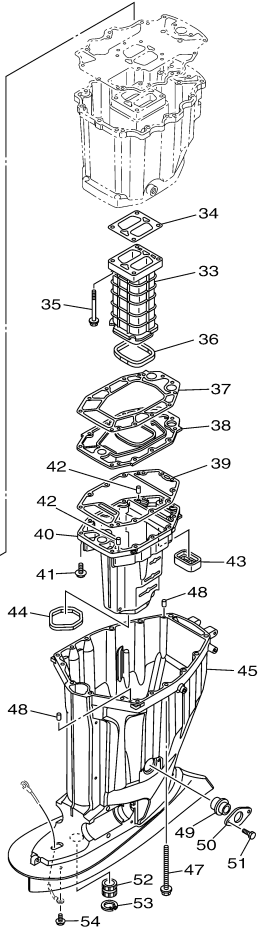
Part List

LF350UCB_0112 / POWER TRIM TILT ASSY 2

| REF - NO | PART NUMBER | PART NAME | QUANTITY | REMARKS |
|----------------|-----------------|------------------|----------|---------|
| 1 | 6AW-43880-01-00 | MOTOR ASSY | 1 | |
| 2 | 6AW-43882-00-00 | .OIL SEAL | 1 | |
| 3 | 6AW-43805-00-00 | .ARMATURE ASSY | 1 | |
| 4 | 6AW-43843-00-00 | .SCREW | 2 | |
| 5 | 6AW-43804-00-00 | .STATOR ASSY | 1 | |
| 6 | 6AW-43881-11-00 | .FRAME, END | 1 | |
| 7 | 6AX-43887-00-00 | ..BOLT | 2 | |
| 8 | 6AW-43138-00-00 | ..NUT | 2 | |
| 9 | 6AW-43842-00-00 | ..SCREW | 2 | |
| 10 | 6AW-4380J-00-00 | ..HOLDER, BRUSH | 1 | |
| 11 | 6AW-4386K-00-00 | ...SPRING, BRUSH | 4 | |



6AW6100-L320



Part List



LF350UCB_0112 / UPPER CASING

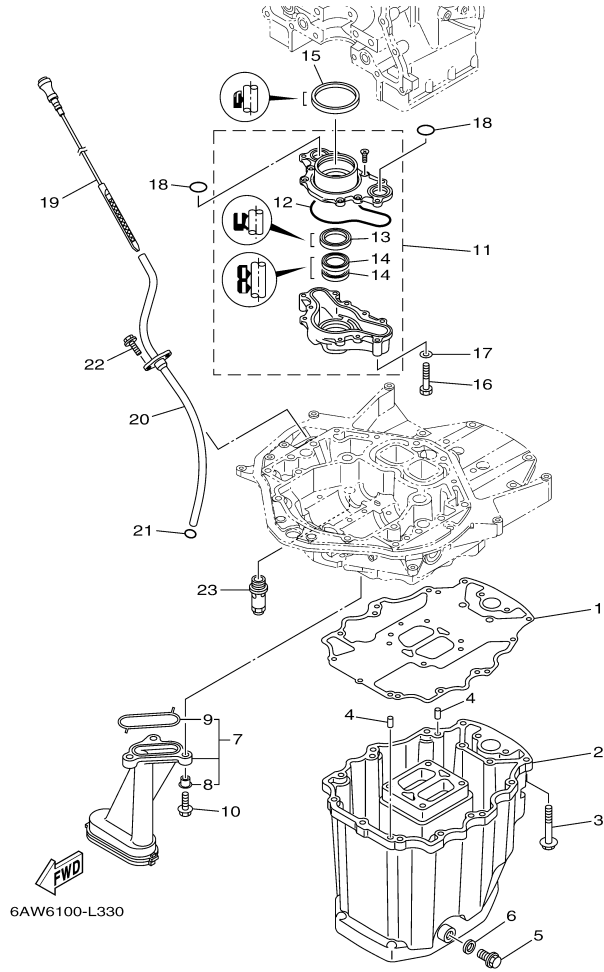
| REF - NO | PART NUMBER | PART NAME | QUANTITY | REMARKS |
|----------|-----------------|-----------------------------|----------|----------|
| 1 | 6AW-41137-11-CA | GUIDE, EXHAUST | 1 | |
| 2 | 6H1-11372-00-00 | .NIPPLE, HOSE | 1 | |
| 3 | 6AW-1475G-00-00 | PIPE 4 | 2 | |
| 4 | 6AW-1475J-00-00 | PIPE | 2 | |
| 5 | 6AW-1244H-00-00 | HOSE 5 | 1 | |
| 6 | 6AW-1243F-00-00 | HOSE,3 | 1 | |
| 7 | 90465-11M59-00 | CLAMP | 4 | |
| 8 | 90119-08102-00 | BOLT, WITH WASHER | 2 | |
| 9 | 97075-10045-00 | BOLT | 6 | |
| 10 | 92995-10600-00 | WASHER | 6 | |
| 11 | 90119-10040-00 | BOLT, WITH WASHER | 8 | |
| 12 | 97575-10585-00 | BOLT, WITH WASHER | 2 | |
| 13 | 93608-16M16-00 | PIN, DOWEL | 2 | |
| 14 | 6AW-42724-00-00 | GROMMET | 1 | |
| 15 | 6AW-11371-10-00 | PRESSURE CONTROL VALVE ASSY | 1 | |
| 16 | 93210-347A1-00 | .O-RING | 1 | |
| 17 | 93210-28543-00 | .O-RING | 1 | |
| 18 | 69J-12233-00-00 | PLATE, GUIDE STOPPER 1 | 1 | |
| 19 | 90387-06037-00 | COLLAR | 1 | |
| 20 | 97095-06020-00 | BOLT | 1 | |
| 21 | 92995-06600-00 | WASHER | 1 | |
| 22 | 6AW-11197-00-00 | PLUG, BLIND | 1 | |
| 23 | 93210-19758-00 | O-RING | 1 | |
| 24 | 6AW-1132S-00-00 | ANODE 7 | 1 | |
| 25 | 98780-05550-00 | SCREW, FLAT HEAD | 1 | |
| 26 | 6AW-1132T-00-00 | ANODE 8 | 1 | |
| 27 | 6AW-1132U-00-00 | ANODE 9 | 1 | |
| 28 | 98780-05550-00 | SCREW, FLAT HEAD | 2 | |
| 29 | 63P-11325-11-00 | .ANODE | 1 | |
| 30 | 90151-06M02-00 | SCREW, COUNTERSUNK | 1 | |
| 31 | 6AW-41131-01-CA | MANIFOLD, EXT. 1 | 1 | |
| 32 | 93608-16M16-00 | PIN, DOWEL | 2 | |
| 33 | 6AW-41132-00-9S | MANIFOLD, EXHAUST | 1 | |
| 34 | 6AW-41134-02-00 | .GASKET, EXHAUST MANIFOLD | 1 | |
| 35 | 90119-08117-00 | BOLT, WITH WASHER | 4 | |
| 36 | 6AW-41138-00-00 | .SEAL, EXT. 1 | 1 | |
| 37 | 6AW-41135-00-00 | .GASKET, EXHAUST MANIFOLD | 1 | |
| 38 | 6AW-45181-01-9S | PLATE | 1 | |
| 39 | 6AW-41136-00-00 | .GASKET, EXHAUST MANIFOLD 4 | 1 | |
| 40 | 6AW-14711-00-9S | MUFFLER 1 | 1 | |
| 41 | 97575-08535-00 | BOLT, WITH WASHER | 12 | |
| 42 | 93606-19M23-00 | PIN, DOWEL | 2 | |
| 43 | 6AW-45127-00-00 | .SEAL | 1 | |
| 44 | 69J-45123-00-00 | .GASKET, MUFFLER | 1 | |
| 45 | 6AW-45111-10-8D | CASING, UPPER | 1 | |
| 46 | 6AW-45113-00-00 | .GASKET, UPPER CASING | 1 | |
| 47 | 90119-10007-00 | BOLT, WITH WASHER | 8 | |
| 48 | 93608-16M16-00 | PIN, DOWEL | 2 | |
| 49 | 69J-15316-00-00 | DAMPER 1 | 1 | |
| 50 | 69J-45152-10-00 | COVER, UPPER CASING 2 | 1 | |
| 51 | 97095-06014-00 | BOLT | 2 | |
| 52 | 6AW-45318-00-00 | BUSHING, DRIVE SHAFT | 1 | |
| 53 | 93420-38091-00 | CIRCLIP | 1 | |
| 54 | 95895-06010-00 | BOLT, FLANGE | 1 | |
| 55 | 6AW-45211-10-8D | EXTENSION | 1 | U(30.1") |
| 56 | 6AW-44366-00-00 | DAMPER, WATER SEAL 2 | 1 | U(30.1") |
| 57 | 93608-12M05-00 | PIN, DOWEL | 2 | U(30.1") |
| 58 | 6AW-45159-00-00 | DAMPER | 1 | U(30.1") |

Part Notes

LF350UCB_0112 / UPPER CASING

| PART | NOTE TEXT |
|------|-----------|
|------|-----------|

| NUMBER | | |
|-----------------|---|--|
| 6AW-11371-10-00 |  | OEM: If you are replacing damaged exhaust components on a 3.1L V6 Fourstroke, two kits have been developed to make choosing and ordering the correct parts easier. Ordering either MAR-EXHKT-03-00 (EXH KIT F200-225 for 2002-2003 models) or MAR-EXHKT-04-00 (EXH KIT F200-250 2004 models and up) will get you everything needed to rebuild the entire exhaust system. |
| 69J-45123-00-00 |  | OEM: If you are replacing damaged exhaust components on a 3.1L V6 Fourstroke, two kits have been developed to make choosing and ordering the correct parts easier. Ordering either MAR-EXHKT-03-00 (EXH KIT F200-225 for 2002-2003 models) or MAR-EXHKT-04-00 (EXH KIT F200-250 2004 models and up) will get you everything needed to rebuild the entire exhaust system. |




Part List

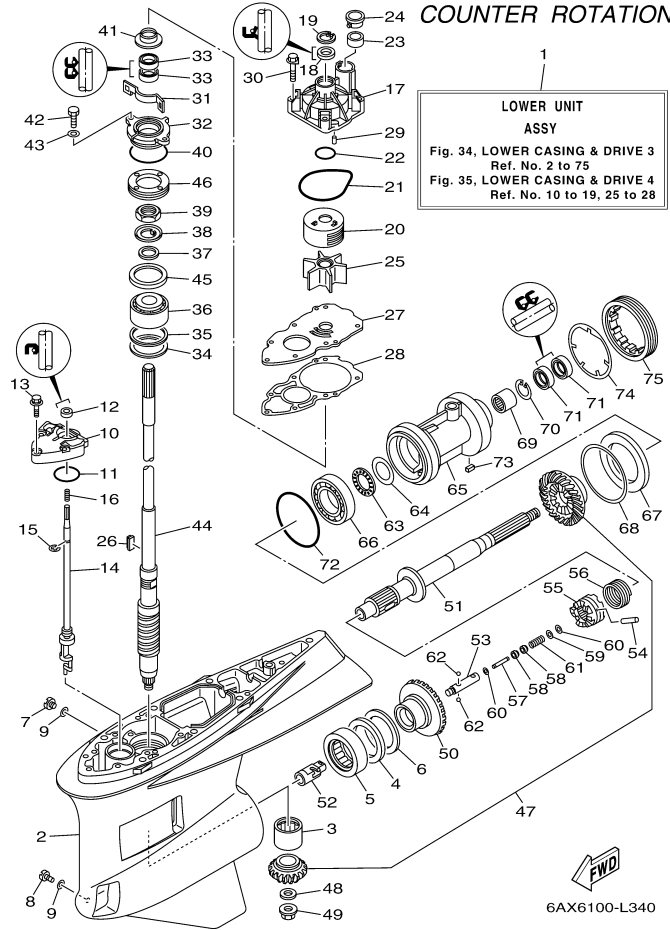
LF350UCB_0112 / OIL PAN

| REF - NO | PART NUMBER | PART NAME | QUANTITY | REMARKS |
|----------|-----------------|----------------------|----------|---------|
| 1 | 6AW-15312-00-00 | .GASKET, OIL PAN | 1 | |
| 2 | 6AW-15311-00-CA | OIL PAN | 1 | |
| 3 | 97575-08570-00 | BOLT, WITH WASHER | 13 | |
| 4 | 93608-16M16-00 | PIN, DOWEL | 2 | |
| 5 | 90340-14M06-00 | PLUG, STRAIGHT SCREW | 1 | |
| 6 | 90430-14M09-00 | .GASKET | 1 | |
| 7 | 6AW-13411-00-00 | STRAINER, OIL | 1 | |
| 8 | 90387-06263-00 | .COLLAR | 3 | |
| 9 | 6AW-13415-00-00 | .SEAL, OIL STRAINER | 1 | |
| 10 | 95812-06025-00 | BOLT, FLANGE | 3 | |
| 11 | 6AW-13300-02-00 | OIL PUMP ASSY | 1 | |
| 12 | 6CB-13329-00-00 | .GASKET, PUMP COVER | 1 | |
| 13 | 6AW-13119-00-00 | .OIL SEAL | 1 | |
| 14 | 6AW-13631-00-00 | .OIL SEAL | 2 | |
| 15 | 69J-11355-00-00 | .SEAL, CYLINDER 1 | 1 | |
| 16 | 97075-06050-00 | BOLT | 4 | |
| 17 | 92995-06600-00 | WASHER | 4 | |
| 18 | 93210-26658-00 | .O-RING | 2 | |
| 19 | 6AW-15362-01-00 | PLUG, OIL LEVEL | 1 | |
| 20 | 6AW-15377-00-00 | GUIDE, INLET | 1 | |
| 21 | 93210-19MJ3-00 | .O-RING | 1 | |
| 22 | 95875-06016-00 | BOLT, FLANGE | 2 | |
| 23 | 6AW-13490-01-00 | RELIEF VALVE ASSY | 1 | |

Part Notes

LF350UCB_0112 / OIL PAN

| PART NUMBER | NOTE TEXT |
|---|---|
| 90430-14M09-00  | OEM: This part number is among the Top 100 Most Popular Marine Maintenance Parts as of February 2013. |



Part List


LF350UCB_0112 / LOWER CASING DRIVE 3

| REF - NO | PART NUMBER | PART NAME | QUANTITY | REMARKS |
|----------------|-----------------|------------------------------|----------|-------------|
| 1 | 6AX-45300-30-8D | LOWER UNIT ASSY | 1 | U(30.1"),LH |
| 2 | 6AW-45311-01-8D | CASING, LOWER | 1 | |
| 3 | 93311-93590-00 | BEARING | 1 | |
| 4 | 93340-67011-00 | BEARING | 1 | |
| 5 | 93390-00031-00 | BEARING | 1 | |
| 6 | 6AW-45567-00-00 | SHIM (T:2.00MM) | 1 | UR |
| 6 | 6AW-45567-10-00 | SHIM (T:2.03MM) | 1 | UR |
| 6 | 6AW-45567-50-00 | SHIM (T:2.15MM) | 1 | UR |
| 6 | 6AW-45567-30-00 | SHIM (T:2.09MM) | 1 | UR |
| 6 | 6AW-45567-40-00 | SHIM (T:2.12MM) | 1 | UR |
| 6 | 6AW-45567-20-00 | SHIM (T:2.06MM) | 1 | UR |
| 7 | 90340-08002-00 | PLUG, STRAIGHT SCREW | 1 | |
| 8 | 688-45341-10-00 | PLUG, DRAIN | 1 | |
| 9 | 90430-08020-00 | .GASKET | 2 | |
| 10 | 6AW-45321-00-00 | PLATE | 1 | |
| 11 | 93210-48214-00 | .O-RING | 1 | |
| 12 | 93101-12M70-00 | .OIL SEAL | 1 | |
| 13 | 90119-08M26-00 | BOLT, WITH WASHER | 3 | |
| 14 | 6AX-44150-00-00 | SHIFT CAM ASSY | 1 | |
| 15 | 99002-10600-00 | CLIP | 1 | |
| 16 | 90501-127J4-00 | SPRING, COMPRESSION | 1 | |
| 17 | 6AW-44311-00-00 | HOUSING, WATER PUMP | 1 | |
| 18 | 93109-24001-00 | .OIL SEAL | 1 | |
| 19 | 93420-35085-00 | CIRCLIP | 1 | |
| 20 | 6AW-44322-00-00 | .INSERT, CARTRIDGE | 1 | |
| 21 | 93210-94003-00 | .O-RING | 1 | |
| 22 | 93210-37160-00 | .O-RING | 1 | |
| 23 | 6AW-44365-00-00 | .DAMPER, WATER SEAL 1 | 1 | |
| 24 | 6AW-44312-00-00 | COVER, WATER PUMP HOUSING | 1 | |
| 25 | 6AW-44352-00-00 | .IMPELLER | 1 | |
| 26 | 6AW-44336-00-00 | .KEY | 1 | |
| 27 | 6AW-44323-00-00 | .OUTER PLATE, CARTRIDGE | 1 | |
| 28 | 6AW-44315-00-00 | .GASKET, WATER PUMP | 1 | |
| 29 | 93606-12019-00 | PIN, DOWEL | 2 | |
| 30 | 90119-08M14-00 | .BOLT, WITH WASHER | 4 | |
| 31 | 6AW-45723-00-00 | PLATE, SEAL | 1 | |
| 32 | 6AW-45335-00-CA | HOUSING, OIL SEAL | 1 | |
| 33 | 93101-28004-00 | .OIL SEAL | 2 | |
| 34 | 90201-68008-00 | WASHER, PLATE | 1 | |
| 35 | 6AW-45587-00-00 | SHIM (T:0.10MM) | 1 | UR |
| 35 | 6AW-45587-10-00 | SHIM (T:0.12MM) | 1 | UR |
| 35 | 6AW-45587-20-00 | SHIM (T:0.15MM) | 1 | UR |
| 35 | 6AW-45587-60-00 | SHIM (T:0.50MM) | 1 | UR |
| 35 | 6AW-45587-40-00 | SHIM (T:0.30MM) | 1 | UR |
| 35 | 6AW-45587-50-00 | SHIM (T:0.40MM) | 1 | UR |
| 35 | 6AW-45587-30-00 | SHIM (T:0.18MM) | 1 | UR |
| 36 | 93399-99962-00 | BEARING | 1 | |
| 37 | 90201-301U7-00 | WASHER, PLATE | 1 | |
| 38 | 90214-30003-00 | WASHER, CLAW | 1 | |
| 39 | 90170-30M18-00 | NUT | 1 | |
| 40 | 93210-69MG6-00 | .O-RING | 1 | |
| 41 | 6AW-45344-00-00 | COVER, OIL SEAL | 1 | |
| 42 | 97095-08020-00 | BOLT | 2 | |
| 43 | 92995-08600-00 | WASHER | 2 | |
| 44 | 6AW-45501-10-00 | DRIVE SHAFT COMP. | 1 | U(30.1") |
| 45 | 6T5-45539-00-00 | SPACER 2 | 1 | |
| 46 | 6AW-45244-00-00 | NUT | 1 | |
| 47 | 6AX-45550-00-00 | GEAR SET | 1 | |
| 48 | 90201-18023-00 | WASHER, PLATE | 1 | |
| 49 | 90179-18009-00 | NUT | 1 | |
| 50 | 6AX-45560-00-00 | GEAR 1 (26T) | 1 | |
| 51 | 6AX-45611-00-00 | SHAFT, PROPELLER | 1 | |
| 52 | 6AX-45641-00-00 | SHIFTER | 1 | |
| 53 | 61A-45634-01-00 | SLIDE, SHIFT | 1 | |

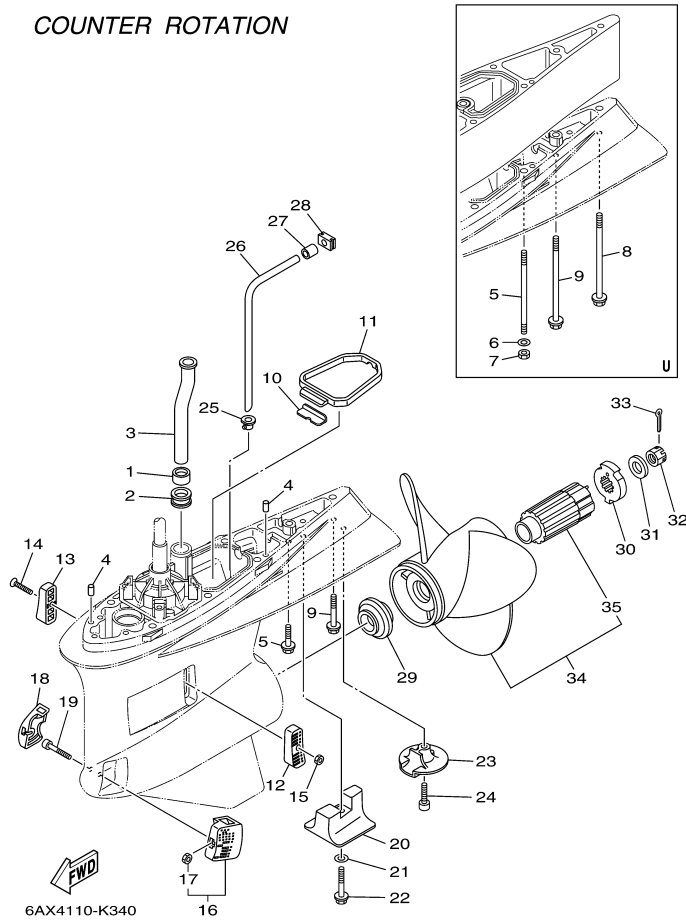
| | | | | |
|----|-----------------|---------------------|---|----|
| 54 | 6AW-45632-00-00 | PIN, CROSS | 1 | |
| 55 | 6AW-45631-00-00 | CLUTCH, DOG | 1 | |
| 56 | 6AW-45633-00-00 | RING, CROSS PIN | 1 | |
| 57 | 6H1-45668-00-00 | SHAFT, FREE 1 | 1 | |
| 58 | 61A-45635-00-00 | PLUNGER, SHIFT | 2 | |
| 59 | 90201-02M00-00 | WASHER, PLATE | 1 | |
| 60 | 90183-02M03-00 | NUT, SPRING | 2 | |
| 61 | 90501-10M77-00 | SPRING, COMPRESSION | 1 | |
| 62 | 93501-04011-00 | BALL | 2 | |
| 63 | 93341-440U5-00 | BEARING | 1 | |
| 64 | 6K1-45578-01-00 | SHIM (T:0.10MM) | 1 | UR |
| 64 | 6K1-45578-10-00 | SHIM (T:0.12MM) | 1 | UR |
| 64 | 6K1-45578-20-00 | SHIM (T:0.15MM) | 1 | UR |
| 64 | 6K1-45578-60-00 | SHIM (T:0.50MM) | 1 | UR |
| 64 | 6K1-45578-40-00 | SHIM (T:0.30MM) | 1 | UR |
| 64 | 6K1-45578-50-00 | SHIM (T:0.40MM) | 1 | UR |
| 64 | 6K1-45578-30-00 | SHIM (T:0.18MM) | 1 | UR |
| 65 | 6AX-45332-00-00 | HOUSING, BEARING | 1 | |
| 66 | 93332-000A2-00 | BEARING | 1 | |
| 67 | 6AW-45576-00-00 | WASHER, THRUST 2 | 1 | |
| 68 | 6AW-45577-00-00 | SHIM (T:0.10MM) | 1 | UR |
| 68 | 6AW-45577-10-00 | SHIM (T:0.12MM) | 1 | UR |
| 68 | 6AW-45577-20-00 | SHIM (T:0.15MM) | 1 | UR |
| 68 | 6AW-45577-60-00 | SHIM (T:0.50MM) | 1 | UR |
| 68 | 6AW-45577-40-00 | SHIM (T:0.30MM) | 1 | UR |
| 68 | 6AW-45577-50-00 | SHIM (T:0.40MM) | 1 | UR |
| 68 | 6AW-45577-30-00 | SHIM (T:0.18MM) | 1 | UR |
| 69 | 93311-63591-00 | BEARING | 1 | |
| 70 | 99009-47500-00 | CIRCLIP | 1 | |
| 71 | 93101-35018-00 | .OIL SEAL | 2 | |
| 72 | 93211-10232-00 | .O-RING | 1 | |
| 73 | 90282-05008-00 | KEY, STRAIGHT | 1 | |
| 74 | 6AW-45383-00-00 | WASHER, CLAW | 1 | |
| 75 | 6AW-45384-00-00 | NUT | 1 | |

Part Notes

LF350UCB_0112 / LOWER CASING DRIVE 3

| PART NUMBER | | NOTE TEXT |
|----------------|---|---|
| 90430-08020-00 |  | OEM: This part number is among the Top 100 Most Popular Marine Maintenance Parts as of February 2013. |

COUNTER ROTATION




Part List

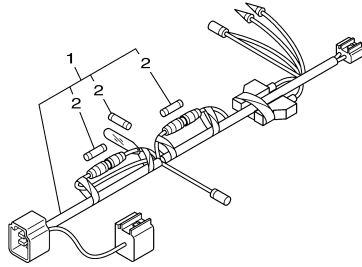
LF350UCB_0112 / LOWER CASING DRIVE 4

| REF - NO | PART NUMBER | PART NAME | QUANTITY | REMARKS |
|----------|-----------------|-------------------------------|----------|-----------------|
| 1 | 6AW-44365-00-00 | .DAMPER, WATER SEAL 1 | 1 | |
| 2 | 6AW-44366-00-00 | DAMPER, WATER SEAL 2 | 1 | |
| 3 | 6AW-44361-10-00 | TUBE, WATER 1 | 1 | U(30.1") |
| 4 | 93608-12M05-00 | PIN, DOWEL | 2 | |
| 5 | 90116-10041-00 | BOLT, STUD | 6 | U(30.1") |
| 6 | 90201-10048-00 | WASHER, PLATE | 6 | U(30.1") |
| 7 | 90170-10009-00 | NUT | 6 | U(30.1") |
| 8 | 90119-10008-00 | BOLT, WITH WASHER | 1 | U(30.1") |
| 9 | 90119-10009-00 | BOLT, WITH WASHER | 1 | U(30.1") |
| 10 | 61A-45376-00-00 | GUIDE, SEAL DAMPER | 1 | |
| 11 | 6AW-45375-00-00 | DAMPER, SEAL | 1 | |
| 12 | 6AW-45214-00-00 | COVER, WATER INLET 1 | 1 | |
| 13 | 6AW-45215-00-00 | COVER, WATER INLET 2 | 1 | |
| 14 | 90152-05003-00 | SCREW, COUNTERSUNK | 1 | |
| 15 | 90185-05002-00 | NUT, NYLON | 1 | |
| 16 | 6AW-45224-00-00 | COVER, WATER INLET 3 | 1 | |
| 17 | 90185-05002-00 | .NUT, NYLON | 1 | |
| 18 | 6AW-45225-00-00 | COVER, WATER INLET 4 | 1 | |
| 19 | 90110-05050-00 | BOLT, HEXAGON SOCKET HEAD | 1 | |
| 20 | 6AW-45373-00-00 | ANODE | 1 | |
| 21 | 92990-10300-00 | WASHER | 1 | |
| 22 | 90105-10257-00 | BOLT, FLANGE | 1 | |
| 23 | 6AW-45619-00-00 | CAP | 1 | |
| 24 | 90110-10018-00 | BOLT, HEXAGON SOCKET HEAD | 1 | |
| 25 | 6AW-44367-00-00 | DAMPER, WATER SEAL 3 | 1 | |
| 26 | 6AW-44362-00-00 | TUBE, WATER 2 | 1 | |
| 27 | 6AW-44375-00-00 | GROMMET, WATER TUBE 1 | 1 | |
| 28 | 6AW-44376-00-00 | GROMMET, WATER TUBE 2 | 1 | |
| 29 | 6AW-45987-00-00 | SPACER 1 | 1 | |
| 30 | 6AW-45997-10-00 | SPACER 2 | 1 | |
| 31 | 90201-19M01-00 | WASHER, PLATE | 1 | |
| 32 | 90171-18M04-00 | NUT, CASTLE | 1 | |
| 33 | 91490-40030-00 | PIN. COTTER | 1 | |
| 34 | 6AX-45970-10-00 | PROPELLER (3X16-1/4"X15"-XL) | 1 | UR SWS XL PROP. |
| 34 | 6AX-45972-10-00 | PROPELLER (3X16-1/4"X17"-XL) | 1 | UR SWS XL PROP. |
| 34 | 6AX-45978-10-00 | PROPELLER (3X15-1/4"X23"-XL) | 1 | UR SWS XL PROP. |
| 34 | 6AX-45976-10-00 | PROPELLER (3X15-1/4"X21"-XL) | 1 | UR SWS XL PROP. |
| 34 | 6AX-45974-10-00 | PROPELLER (3X15-1/2"X19"-XL) | 1 | UR SWS XL PROP. |
| 35 | 6AW-45C80-00-00 | .PROPELLER DAMPER RUBBER ASSY | 1 | |

Part Notes

LF350UCB_0112 / LOWER CASING DRIVE 4

| PART NUMBER | NOTE TEXT |
|--|---|
| 91490-40030-00  | OEM: This part number is among the Top 100 Most Popular Marine Maintenance Parts as of February 2013. |

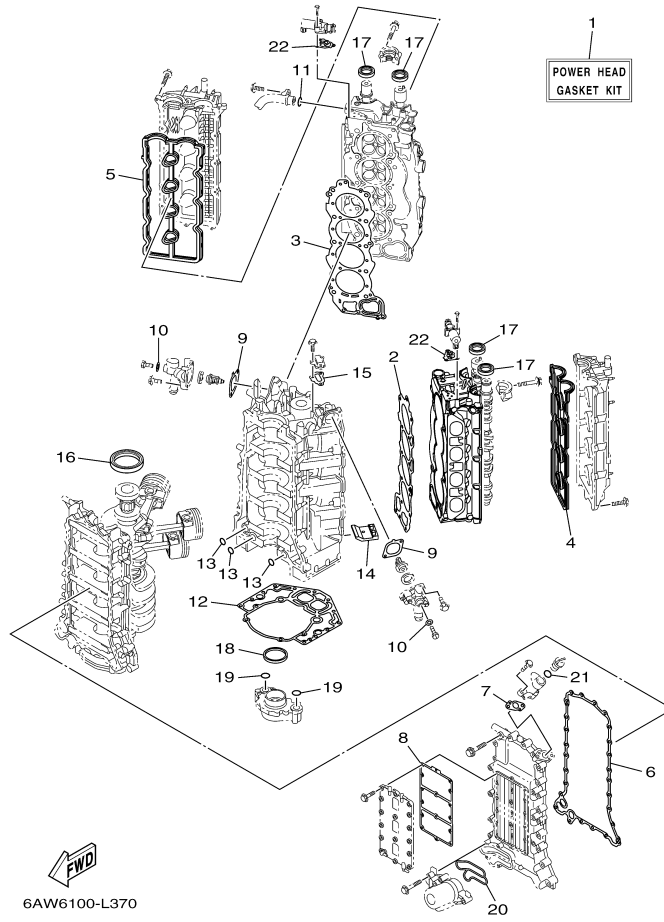


6AX4110-K350

Part List

LF350UCB_0112 / OPTIONAL PARTS

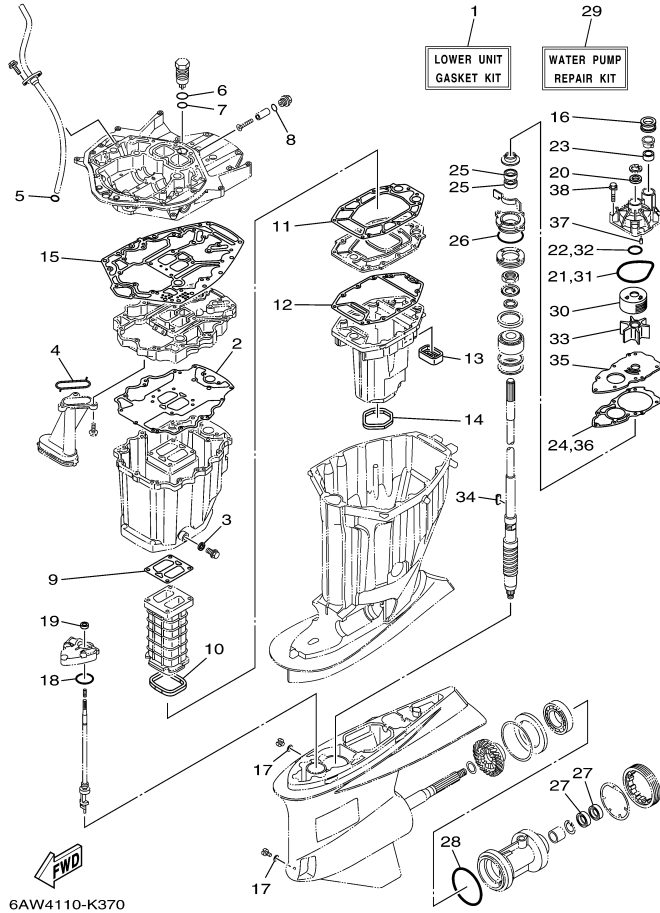
| REF - NO | PART NUMBER | PART NAME | QUANTITY | REMARKS |
|----------------|-----------------|----------------|----------|---------|
| 1 | 6Y8-81315-00-00 | LEAD WIRE ASSY | 1 | |
| 2 | 6TA-82151-00-00 | .FUSE(5A) | 3 | |



Part List

LF350UCB_0112 / REPAIR KIT 1

| REF - NO | PART NUMBER | PART NAME | QUANTITY | REMARKS |
|----------------|-----------------|-------------------------------|----------|---------|
| 1 | 6AW-W0001-01-00 | POWER HEAD GASKET KIT | 1 | |
| 2 | 6AW-11181-00-00 | .GASKET, CYLINDER HEAD 1 | 1 | |
| 3 | 6AW-11182-00-00 | .GASKET, CYLINDER HEAD 2 | 1 | |
| 4 | 6AW-11193-10-00 | .GASKET, HEAD COVER 1 | 1 | |
| 5 | 6AW-11194-10-00 | .GASKET, HEAD COVER 2 | 1 | |
| 6 | 6AW-15451-00-00 | .GASKET, CRANKCASE COVER 1 | 1 | |
| 7 | 6AW-15364-00-00 | .GASKET, OIL PLUG | 1 | |
| 8 | 6AW-15461-00-00 | .GASKET, CRANKCASE COVER 2 | 1 | |
| 9 | 6AW-12427-00-00 | .GASKET, HOUSING COVER 1 | 2 | |
| 10 | 90430-05002-00 | .GASKET | 2 | |
| 11 | 93210-207A0-00 | .O-RING | 1 | |
| 12 | 6AW-11351-00-00 | .GASKET, CYLINDER | 1 | |
| 13 | 93210-26658-00 | .O-RING | 3 | |
| 14 | 6AW-14664-00-00 | .GROMMET, WATER SHUT | 2 | |
| 15 | 6AW-11381-00-00 | .GASKET 1 | 1 | |
| 16 | 93102-85004-00 | .OIL SEAL | 1 | |
| 17 | 93102-38008-00 | .OIL SEAL | 4 | |
| 18 | 69J-11355-00-00 | .SEAL, CYLINDER 1 | 1 | |
| 19 | 93210-26658-00 | .O-RING | 2 | |
| 20 | 6AW-13477-00-00 | .GASKET | 1 | |
| 21 | 93210-24M79-00 | .O-RING | 1 | |
| 22 | 6CB-1242F-00-00 | .GASKET, FILTER | 2 | |



6AW4110-K370




Part List

LF350UCB_0112 / REPAIR KIT 2

| REF - NO | PART NUMBER | PART NAME | QUANTITY | REMARKS |
|----------|-----------------|-----------------------------|----------|---------|
| 1 | 6AW-W0001-21-00 | LOWER UNIT GASKET KIT | 1 | |
| 2 | 6AW-15312-00-00 | .GASKET, OIL PAN | 1 | |
| 3 | 90430-14M09-00 | .GASKET | 1 | |
| 4 | 6AW-13415-00-00 | .SEAL, OIL STRAINER | 1 | |
| 5 | 93210-19MJ3-00 | .O-RING | 1 | |
| 6 | 93210-347A1-00 | .O-RING | 1 | |
| 7 | 93210-28543-00 | .O-RING | 1 | |
| 8 | 93210-19758-00 | .O-RING | 1 | |
| 9 | 6AW-41134-02-00 | .GASKET, EXHAUST MANIFOLD | 1 | |
| 10 | 6AW-41138-00-00 | .SEAL, EXT 1 | 1 | |
| 11 | 6AW-41135-00-00 | .GASKET, EXHAUST MANIFOLD | 1 | |
| 12 | 6AW-41136-00-00 | .GASKET, EXHAUST MANIFOLD 4 | 1 | |
| 13 | 6AW-45127-00-00 | .SEAL | 1 | |
| 14 | 69J-45123-00-00 | .GASKET, MUFFLER | 1 | |
| 15 | 6AW-45113-00-00 | .GASKET, UPPER CASING | 1 | |
| 16 | 6AW-44366-00-00 | .DAMPER, WATER SEAL 2 | 1 | |
| 17 | 90430-08020-00 | .GASKET | 2 | |
| 18 | 93210-48214-00 | .O-RING | 1 | |
| 19 | 93101-12M70-00 | .OIL SEAL | 1 | |
| 20 | 93109-24001-00 | .OIL SEAL | 1 | |
| 21 | 93210-94003-00 | .O-RING | 1 | |
| 22 | 93210-37160-00 | .O-RING | 1 | |
| 23 | 6AW-44365-00-00 | .DAMPER, WATER SEAL 1 | 1 | |
| 24 | 6AW-44315-00-00 | .GASKET, WATER PUMP | 1 | |
| 25 | 93101-28004-00 | .OIL SEAL | 2 | |
| 26 | 93210-69MG6-00 | .O-RING | 1 | |
| 27 | 93101-35018-00 | .OIL SEAL | 2 | |
| 28 | 93211-10232-00 | .O-RING | 1 | |
| 29 | 6AW-W0078-00-00 | WATER PUMP REPAIR KIT | 1 | |
| 30 | 6AW-44322-00-00 | .INSERT, CARTRIDGE | 1 | |
| 31 | 93210-94003-00 | .O-RING | 1 | |
| 32 | 93210-37160-00 | .O-RING | 1 | |
| 33 | 6AW-44352-00-00 | .IMPELLER | 1 | |
| 34 | 6AW-44336-00-00 | .KEY | 1 | |
| 35 | 6AW-44323-00-00 | .OUTER PLATE, CARTRIDGE | 1 | |
| 36 | 6AW-44315-00-00 | .GASKET, WATER PUMP | 1 | |
| 37 | 93606-12019-00 | .PIN, DOWEL | 2 | |
| 38 | 90119-08M14-00 | .BOLT, WITH WASHER | 4 | |

Part Notes

LF350UCB_0112 / REPAIR KIT 2

| PART NUMBER | NOTE TEXT |
|---|--|
| 90430-14M09-00  | OEM: This part number is among the Top 100 Most Popular Marine Maintenance Parts as of February 2013. |
| 69J-45123-00-00  | OEM: If you are replacing damaged exhaust components on a 3.1L V6 Fourstroke, two kits have been developed to make choosing and ordering the correct parts easier. Ordering either MAR-EXHKT-03-00 (EXH KIT F200-225 for 2002-2003 models) or MAR-EXHKT-04-00 (EXH KIT F200-250 2004 models and up) will get you everything needed to rebuild the entire exhaust system. |
| 90430-08020-00  | OEM: This part number is among the Top 100 Most Popular Marine Maintenance Parts as of February 2013. |