







Part List

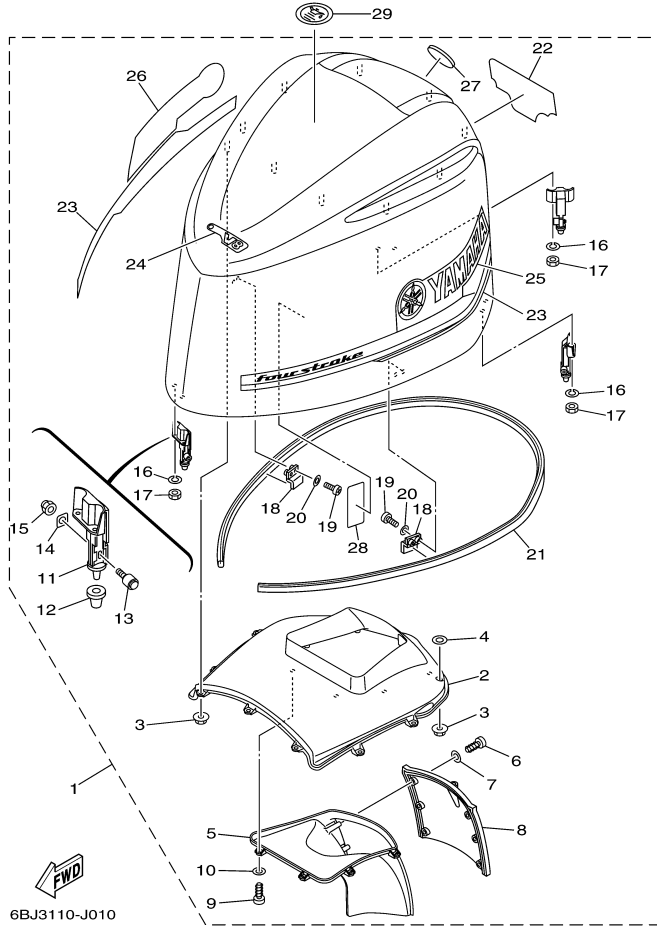
FL350AET1U 0410 / SCHEDULED SERVICE PARTS

| REF - NO | PART NUMBER | PART NAME | QUANTITY | REMARKS |
|----------|-----------------|----------------------------|----------|---------------------------------|
| 1 | 6AW-14984-00-00 | GASKET, FLOAT CHAMBER | 1 | FUEL INJECTION PUMP 1 (REF #20) |
| 2 | 63P-13915-00-00 | FILTER | 1 | FUEL INJECTION PUMP 1 (REF #17) |
| 3 | 6P3-24564-00-00 | .GASKET | 1 | FUEL 1 (REF #10) |
| 4 | 6P3-24563-00-00 | ELEMENT, FILTER | 1 | FUEL 1 (REF #11) |
| 5 | 90430-14M09-00 | .GASKET | 1 | OIL PAN (REF #6) |
| 6 | 63P-11325-01-00 | ANODE | 3 | CYLINDER CRANKCASE 1 (REF #18) |
| 7 | N26-13440-00-00 | ELEMENT ASSY, OIL CLEANER | 1 | CYLINDER CRANKCASE 1 (REF #41) |
| 8 | 6AW-12411-00-00 | THERMOSTAT | 2 | CYLINDER CRANKCASE 1 (REF #20) |
| 9 | 6AW-1132P-00-00 | ANODE 5 | 8 | CYLINDER CRANKCASE 1 (REF #37) |
| 10 | 6AW-1132R-00-00 | ANODE 6 | 2 | CYLINDER CRANKCASE 1 (REF #27) |
| 11 | 6AW-1132S-00-00 | ANODE | 6 | CYLINDER CRANKCASE 2 (REF #16) |
| 12 | LFR-6A110-00-00 | PLUG, SPARK (NGK LFR6A-11) | 8 | CYLINDER CRANKCASE 2 (REF #37) |
| 13 | 6AW-45251-00-00 | ANODE | 1 | BRACKET 1 (REF #4) |
| 14 | 6AW-1132M-00-00 | ANODE 3 | 2 | CYLINDER CRANKCASE 3 (REF #20) |
| 15 | 6AW-1132L-00-00 | ANODE 2 | 2 | CYLINDER CRANKCASE 3 (REF #12) |
| 16 | 6AW-1132N-01-00 | ANODE 4 | 10 | CYLINDER CRANKCASE 3 (REF #22) |
| 17 | 90430-08020-00 | .GASKET | 2 | LOWER CASING DRIVE 3 (REF #9) |
| 18 | 6AW-45619-00-00 | CAP | 1 | LOWER CASING DRIVE 4 (REF #23) |
| 19 | 6AW-45373-00-00 | ANODE | 1 | LOWER CASING DRIVE 4 (REF #20) |

Part Notes

FL350AET1U 0410 / SCHEDULED SERVICE PARTS

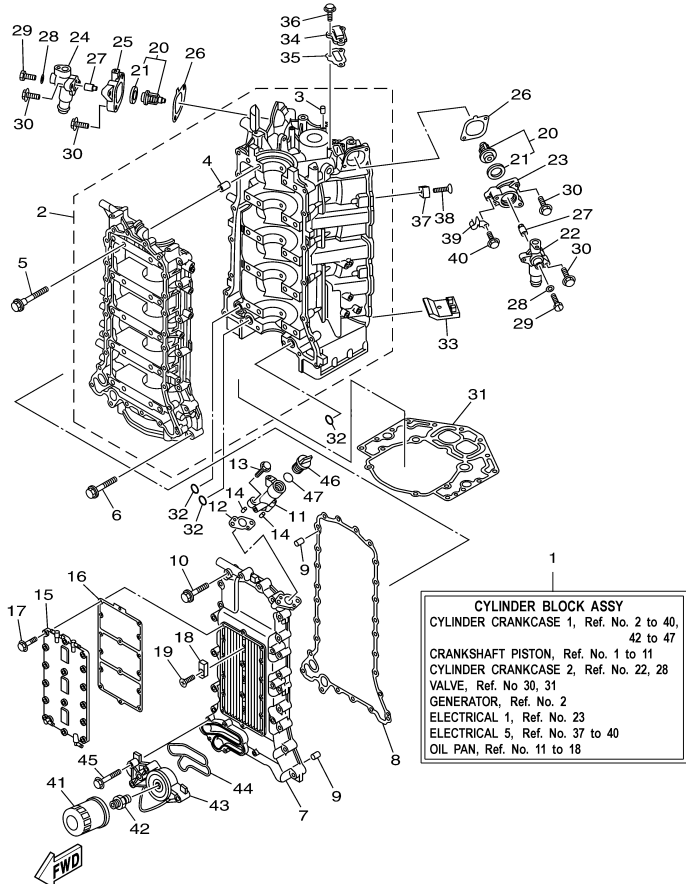
| PART NUMBER | NOTE TEXT |
|---|---|
| 63P-13915-00-00  | OEM: This part number is among the Top 100 Most Popular Marine Maintenance Parts as of February 2013. |
| 6P3-24564-00-00  | OEM: This part number is among the Top 100 Most Popular Marine Maintenance Parts as of February 2013. |
| 90430-14M09-00  | OEM: This part number is among the Top 100 Most Popular Marine Maintenance Parts as of February 2013. |
| N26-13440-00-00  | OEM: This part number is among the Top 100 Most Popular Marine Maintenance Parts as of February 2013. |
| LFR-6A110-00-00  | OEM: This part number is among the Top 100 Most Popular Marine Maintenance Parts as of February 2013. |
| 90430-08020-00  | OEM: This part number is among the Top 100 Most Popular Marine Maintenance Parts as of February 2013. |



Part List

FL350AET1U 0410 / TOP COWLING

| REF - NO | PART NUMBER | PART NAME | QUANTITY | REMARKS |
|----------------|-----------------|------------------------|----------|---------|
| 1 | 6AW-42610-20-00 | TOP COWLING ASSY | 1 | |
| 2 | 6AW-42613-00-00 | .MOLDING, AIR DUCT | 1 | |
| 3 | 90179-06M28-00 | .NUT | 10 | |
| 4 | 6CB-42545-00-00 | .WASHER, PLAIN | 3 | |
| 5 | 6AW-42635-00-00 | .DUCT, WATER SEPARATOR | 1 | |
| 6 | 97780-60516-00 | .SCREW, TAPPING | 6 | |
| 7 | 92995-06200-00 | .WASHER | 6 | |
| 8 | 6AW-42532-00-00 | .COVER | 1 | |
| 9 | 97780-60516-00 | .SCREW, TAPPING | 7 | |
| 10 | 92995-06200-00 | .WASHER | 7 | |
| 11 | 6AW-42647-00-9S | .HOLDER, CLAMP BAND | 3 | |
| 12 | 6AW-42663-00-00 | .DAMPER | 3 | |
| 13 | 6AW-4264A-00-00 | .HOOK ASSY | 3 | |
| 14 | 6AW-42646-10-00 | .PLATE, CLAMP | 3 | |
| 15 | 95780-08300-00 | .NUT, FLANGE | 3 | |
| 16 | 92990-06100-00 | .WASHER, SPRING | 6 | |
| 17 | 95380-06600-00 | .NUT, HEXAGON | 6 | |
| 18 | 6AW-42477-00-00 | .PLATE, LOCK | 2 | |
| 19 | 97885-05010-00 | .SCREW, PAN HEAD | 4 | |
| 20 | 92995-05600-00 | .WASHER | 4 | |
| 21 | 6AW-42628-20-00 | .SEAL | 1 | |
| 22 | 6AW-42678-00-00 | .GRAPHIC, REAR | 1 | |
| 23 | 6AW-W0070-00-00 | .GRAPHIC SET | 1 | |
| 24 | 6AW-42677-00-00 | .GRAPHIC, FRONT | 1 | |
| 25 | 6AW-42681-00-00 | .MARK, COWLING | 1 | |
| 26 | 6AW-42682-00-00 | .MARK, COWLING | 1 | |
| 27 | 6AW-42697-10-00 | .TUNING FORK MARK | 1 | |
| 28 | 6AH-42735-00-00 | .PROTECTOR | 1 | |
| 29 | 67F-13434-20-00 | LABEL, CAUTION | 1 | |



6AW4110-K020


Part List

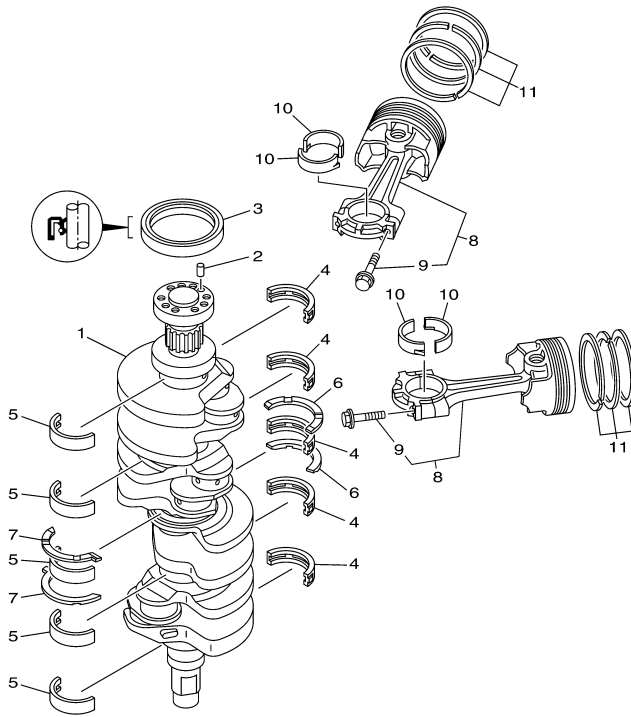
FL350AET1U 0410 / CYLINDER CRANKCASE 1

| REF - NO | PART NUMBER | PART NAME | QUANTITY | REMARKS |
|----------|-----------------|----------------------------|----------|---------|
| 1 | 6AW-W009B-03-9S | CYLINDER BLOCK ASSY | 1 | |
| 2 | 6AW-15100-02-00 | CRANKCASE ASSY | 1 | |
| 3 | 93606-12019-00 | .PIN, DOWEL | 3 | |
| 4 | 91814-18001-00 | .PIN, DOWEL | 10 | |
| 5 | 69J-15187-00-00 | BOLT | 20 | |
| 6 | 90105-08175-00 | BOLT, FLANGE | 18 | |
| 7 | 6AW-15411-00-9S | COVER, CRANKCASE 1 | 1 | |
| 8 | 6AW-15451-00-00 | .GASKET, CRANKCASE COVER 1 | 1 | |
| 9 | 93606-12019-00 | PIN, DOWEL | 2 | |
| 10 | 90105-08175-00 | BOLT, FLANGE | 26 | |
| 11 | 6AW-15319-00-9S | JOINT | 1 | |
| 12 | 6AW-15364-00-00 | .GASKET, OIL PLUG | 1 | |
| 13 | 90105-06155-00 | BOLT, FLANGE | 2 | |
| 14 | 93604-08062-00 | PIN, DOWEL | 2 | |
| 15 | 6AW-15421-00-9S | COVER, CRANKCASE 2 | 1 | |
| 16 | 6AW-15461-00-00 | .GASKET, CRANKCASE COVER 2 | 1 | |
| 17 | 90105-06037-00 | BOLT, FLANGE | 16 | |
| 18 | 63P-11325-01-00 | ANODE | 3 | |
| 19 | 90151-06M02-00 | SCREW, COUNTERSUNK | 3 | |
| 20 | 6AW-12411-00-00 | THERMOSTAT | 2 | |
| 21 | 6AW-12412-00-00 | .SEAL, THERMOSTAT | 1 | |
| 22 | 6AW-12413-00-9S | COVER, THERMOSTAT | 1 | |
| 23 | 6AW-12422-00-9S | COVER, HOUSING | 1 | |
| 24 | 6AW-1241B-00-9S | COVER, THERMOSTAT 2 | 1 | |
| 25 | 6AW-1242B-00-9S | COVER, HOUSING 2 | 1 | |
| 26 | 6AW-12427-00-00 | .GASKET, HOUSING COVER 1 | 2 | |
| 27 | 6AW-1132R-00-00 | ANODE 6 | 2 | |
| 28 | 90430-05002-00 | GASKET | 2 | |
| 29 | 90105-05012-00 | BOLT, FLANGE | 2 | |
| 30 | 90105-06028-00 | BOLT, FLANGE | 8 | |
| 31 | 6AW-11351-00-00 | .GASKET, CYLINDER | 1 | |
| 32 | 93210-26658-00 | .O-RING | 3 | |
| 33 | 6AW-14664-00-00 | .GROMMET, WATER SHUT | 2 | |
| 34 | 6AW-1131M-00-9S | COVER | 1 | |
| 35 | 6AW-11381-00-00 | .GASKET 1 | 1 | |
| 36 | 90105-06039-00 | BOLT, FLANGE | 3 | |
| 37 | 6AW-1132P-00-00 | ANODE 5 | 8 | |
| 38 | 98780-06530-00 | SCREW, FLAT HEAD | 8 | |
| 39 | 90462-12008-00 | CLAMP | 1 | |
| 40 | 95895-06012-00 | BOLT, FLANGE | 1 | |
| 41 | N26-13440-00-00 | ELEMENT ASSY, OIL CLEANER | 1 | |
| 42 | 90401-19001-00 | BOLT, UNION | 1 | |
| 43 | 6AW-13446-00-9S | CONNECTOR | 1 | |
| 44 | 6AW-13477-00-00 | .GASKET | 1 | |
| 45 | 95885-06045-00 | BOLT, FLANGE | 5 | |
| 46 | 6G8-15363-00-00 | PLUG, OIL | 1 | |
| 47 | 93210-24M79-00 | .O-RING | 1 | |

Part Notes

FL350AET1U 0410 / CYLINDER CRANKCASE 1

| PART NUMBER | NOTE TEXT |
|---|---|
| N26-13440-00-00  | OEM: This part number is among the Top 100 Most Popular Marine Maintenance Parts as of February 2013. |

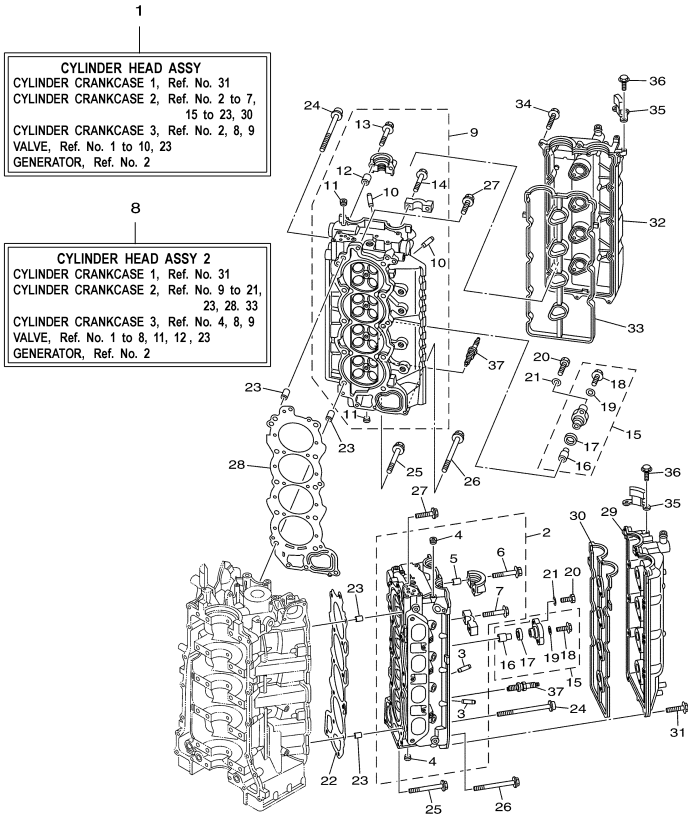


6AW1110-G030

Part List

FL350AET1U 0410 / CRANKSHAFT PISTON

| REF - NO | PART NUMBER | PART NAME | QUANTITY | REMARKS |
|----------------|-----------------|----------------------------------|----------|-----------|
| 1 | 6AW-11411-00-00 | CRANKSHAFT | 1 | |
| 2 | 93606-12019-00 | PIN, DOWEL | 1 | |
| 3 | 93102-85004-00 | .OIL SEAL | 1 | |
| 4 | 6AW-11416-00-00 | PLANE BEARING, CRANKSHAFT 1 | 5 | UR YELLOW |
| 4 | 6AW-11416-10-00 | PLANE BEARING, CRANKSHAFT 1 | 5 | UR GREEN |
| 4 | 6AW-11416-40-00 | PLANE BEARING, CRANKSHAFT 1 | 5 | UR BLUE |
| 4 | 6AW-11416-30-00 | PLANE BEARING, CRANKSHAFT 1 | 5 | UR BLACK |
| 4 | 6AW-11416-20-00 | PLANE BEARING, CRANKSHAFT 1 | 5 | UR BROWN |
| 5 | 6AW-11417-00-00 | PLANE BEARING, CRANKSHAFT 2 | 5 | UR YELLOW |
| 5 | 6AW-11417-10-00 | PLANE BEARING, CRANKSHAFT 2 | 5 | UR GREEN |
| 5 | 6AW-11417-40-00 | PLANE BEARING, CRANKSHAFT 2 | 5 | UR BLUE |
| 5 | 6AW-11417-30-00 | PLANE BEARING, CRANKSHAFT 2 | 5 | UR BLACK |
| 5 | 6AW-11417-20-00 | PLANE BEARING, CRANKSHAFT 2 | 5 | UR BROWN |
| 6 | 6AW-11426-00-00 | BEARING, THRUST 1 | 2 | |
| 7 | 6AW-11427-00-00 | BEARING, THRUST 2 | 2 | |
| 8 | 6AW-W1164-01-00 | PISTON/CON-ROD ASSY STD | 8 | |
| 9 | 63P-11654-00-00 | .BOLT, CONNECTING ROD | 2 | |
| 10 | 63P-11656-01-00 | PLANE BEARING, CONNECTING ROD | 16 | UR GREEN |
| 10 | 63P-11656-21-00 | PLANE BEARING, CONNECTING ROD | 16 | UR RED |
| 10 | 63P-11656-11-00 | PLANE BEARING, CONNECTING ROD | 16 | UR BLUE |
| 11 | 6AW-11603-00-00 | PISTON RING SET (STD) | 8 | |



6AW1110-G040



Part List

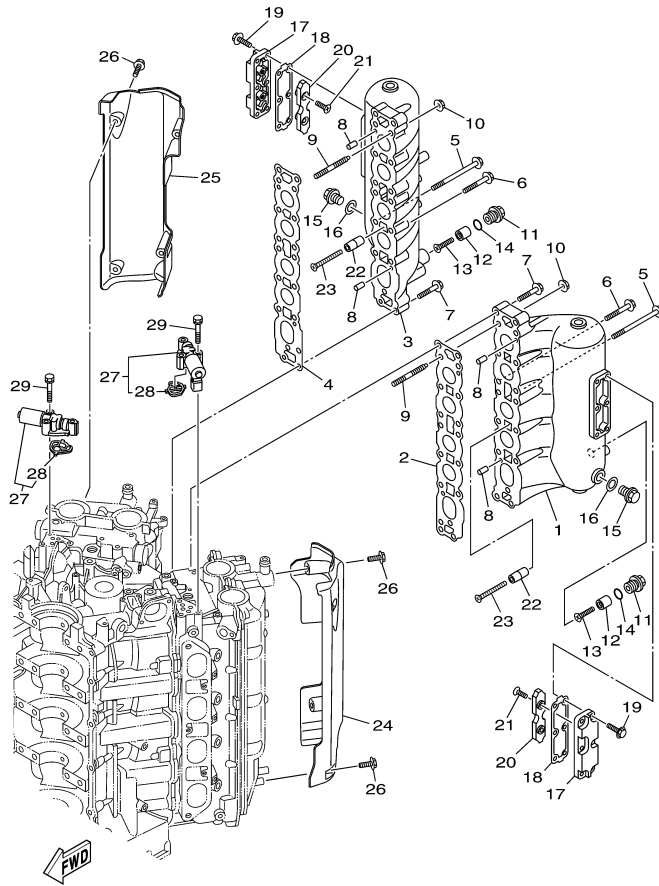
FL350AET1U 0410 / CYLINDER CRANKCASE 2

| REF - NO | PART NUMBER | PART NAME | QUANTITY | REMARKS |
|----------|-----------------|----------------------------|----------|---------|
| 1 | 6AW-W009A-00-9S | CYLINDER HEAD COMPLETE | 1 | |
| 2 | 6AW-11110-01-00 | CYLINDER HEAD ASSY | 1 | |
| 3 | 69J-11133-10-00 | .GUIDE, VALVE 1 | 16 | |
| 4 | 90344-51019-00 | .PLUG, TAPER SCREW | 9 | |
| 5 | 91809-08006-00 | .PIN, DOWEL | 4 | |
| 6 | 90119-07001-00 | .BOLT, WITH WASHER | 4 | |
| 7 | 90119-07234-00 | .BOLT, WITH WASHER | 16 | |
| 8 | 6AW-W009C-00-9S | CYLINDER HEAD 2 COMPLETE | 1 | |
| 9 | 6AW-11120-01-00 | CYLINDER HEAD ASSY 2 | 1 | |
| 10 | 69J-11133-10-00 | .GUIDE, VALVE 1 | 16 | |
| 11 | 90344-51019-00 | .PLUG, TAPER SCREW | 9 | |
| 12 | 91809-08006-00 | .PIN, DOWEL | 4 | |
| 13 | 90119-07001-00 | .BOLT, WITH WASHER | 4 | |
| 14 | 90119-07234-00 | .BOLT, WITH WASHER | 16 | |
| 15 | 6AW-11301-00-00 | ANODE COVER ASSY | 6 | |
| 16 | 6AW-11325-00-00 | .ANODE | 1 | |
| 17 | 67F-11328-00-00 | .GROMMET, ANODE | 1 | |
| 18 | 90105-06M07-00 | .BOLT, FLANGE | 1 | |
| 19 | 90430-06M03-00 | .GASKET | 1 | |
| 20 | 97075-08025-00 | BOLT | 12 | |
| 21 | 92995-08600-00 | WASHER | 12 | |
| 22 | 6AW-11181-00-00 | .GASKET, CYLINDER HEAD 1 | 1 | |
| 23 | 90387-11005-00 | COLLAR | 4 | |
| 24 | 90155-11002-00 | SCREW, FLAT FILLISTER | 20 | |
| 25 | 90119-08MA5-00 | BOLT, WITH WASHER | 4 | |
| 26 | 90119-08021-00 | BOLT, WITH WASHER | 2 | |
| 27 | 90119-08115-00 | BOLT, WITH WASHER | 2 | |
| 28 | 6AW-11182-00-00 | .GASKET, CYLINDER HEAD 2 | 1 | |
| 29 | 6AW-11191-00-9S | COVER, CYLINDER HEAD 1 | 1 | |
| 30 | 6AW-11193-00-00 | .GASKET, HEAD COVER 1 | 1 | |
| 31 | 90105-06152-00 | BOLT, FLANGE | 16 | |
| 32 | 6AW-11192-00-9S | COVER, CYLINDER HEAD 2 | 1 | |
| 33 | 6AW-11194-00-00 | .GASKET, HEAD COVER 2 | 1 | |
| 34 | 90105-06152-00 | BOLT, FLANGE | 16 | |
| 35 | 6AW-15142-00-00 | GUIDE 1 | 2 | |
| 36 | 95885-06014-00 | BOLT, FLANGE | 4 | |
| 37 | LFR-6A110-00-00 | PLUG, SPARK (NGK LFR6A-11) | 8 | |

Part Notes

FL350AET1U 0410 / CYLINDER CRANKCASE 2

| PART NUMBER | NOTE TEXT |
|---|---|
| 67F-11328-00-00  | OEM: This part number is among the Top 100 Most Popular Marine Maintenance Parts as of February 2013. |
| LFR-6A110-00-00  | OEM: This part number is among the Top 100 Most Popular Marine Maintenance Parts as of February 2013. |

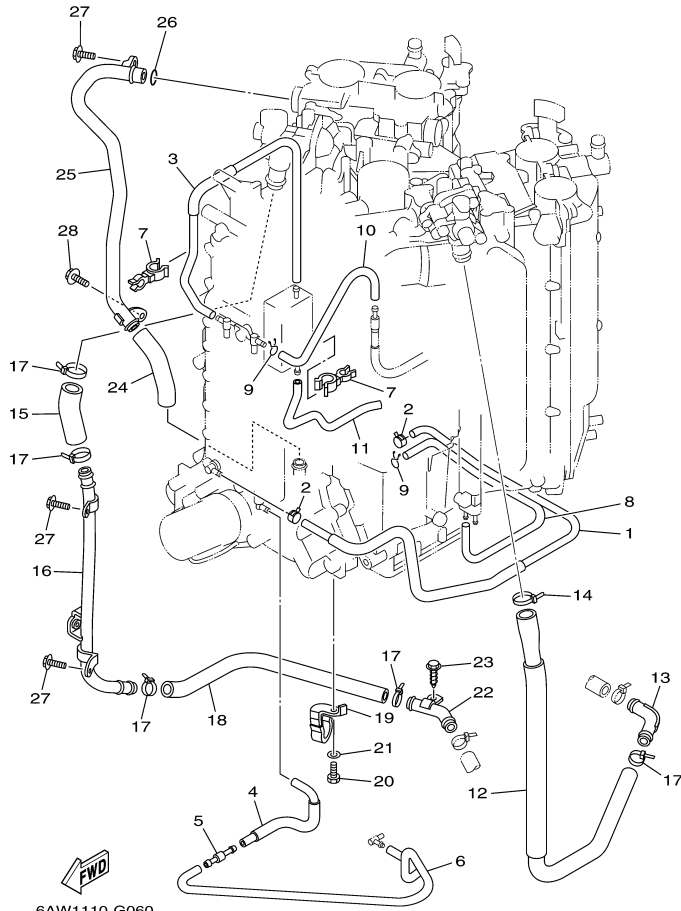


6BJ3110-J051

Part List

FL350AET1U 0410 / CYLINDER CRANKCASE 3

| REF - NO | PART NUMBER | PART NAME | QUANTITY | REMARKS |
|----------------|-----------------|--------------------------------|----------|---------|
| 1 | 6AW-14615-00-9S | JOINT, EXHAUST 1 | 1 | |
| 2 | 6AW-14613-00-00 | .GASKET, EXHAUST PIPE | 1 | |
| 3 | 6AW-14625-00-9S | JOINT, EXHAUST 2 | 1 | |
| 4 | 6AW-14623-00-00 | .GASKET, EXHAUST PIPE | 1 | |
| 5 | 90105-08173-00 | BOLT, FLANGE | 12 | |
| 6 | 90105-08175-00 | BOLT, FLANGE | 10 | |
| 7 | 90105-06151-00 | BOLT, FLANGE | 8 | |
| 8 | 93608-16M16-00 | PIN, DOWEL | 4 | |
| 9 | 90116-08037-00 | BOLT, STUD | 4 | |
| 10 | 90179-08M34-00 | NUT | 4 | |
| 11 | 6AW-11197-00-00 | PLUG, BLIND | 2 | |
| 12 | 6AW-1132L-00-00 | ANODE 2 | 2 | |
| 13 | 98780-05025-00 | SCREW, FLAT HEAD | 2 | |
| 14 | 93210-19758-00 | O-RING | 2 | |
| 15 | 90340-18M09-00 | PLUG, STRAIGHT SCREW | 2 | |
| 16 | 90430-18130-00 | .GASKET | 2 | |
| 17 | 6AW-1118A-00-9S | COVER | 2 | |
| 18 | 6AW-11195-00-00 | .GASKET | 2 | |
| 19 | 90105-06155-00 | BOLT, FLANGE | 12 | |
| 20 | 6AW-1132M-00-00 | ANODE 3 | 2 | |
| 21 | 98780-06020-00 | SCREW, FLAT HEAD | 4 | |
| 22 | 6AW-1132N-01-00 | ANODE 4 | 10 | |
| 23 | 98780-06550-00 | SCREW, FLAT HEAD | 10 | |
| 24 | 6AW-11186-00-00 | COVER, CYLINDER HEAD SIDE 2 | 1 | |
| 25 | 6AW-11187-00-00 | COVER, CYLINDER HEAD SIDE 3 | 1 | |
| 26 | 90119-06M92-00 | BOLT, WITH WASHER | 8 | |
| 27 | 6P2-86120-00-00 | SOLENOID VALVE ASSY | 2 | |
| 28 | 6P2-12403-00-00 | .FILTER | 1 | |
| 29 | 90119-06MA6-00 | BOLT, WITH WASHER | 6 | |

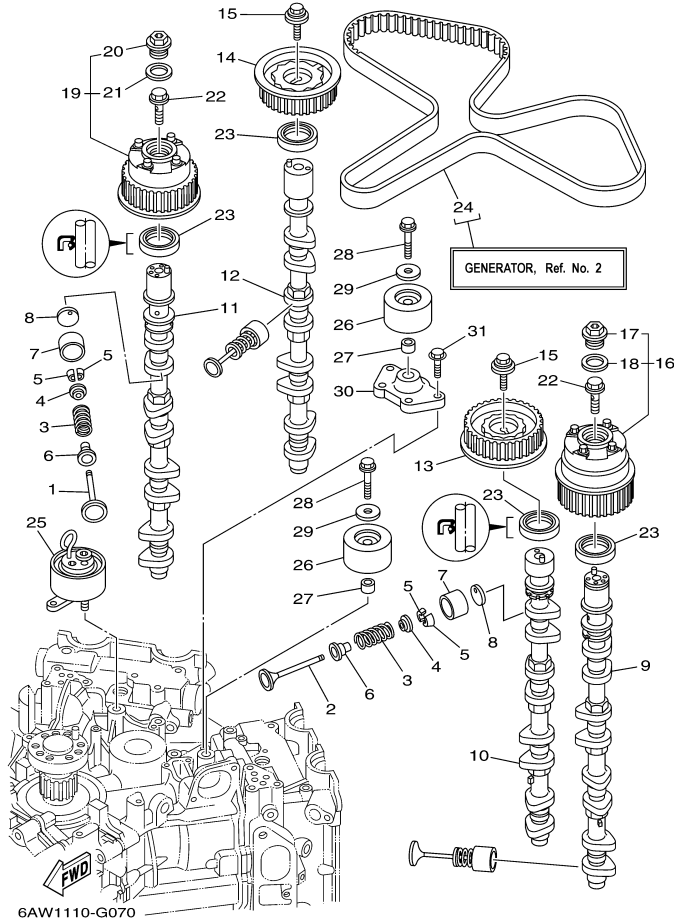


6AW1110-G060

Part List

FL350AET1U 0410 / CYLINDER CRANKCASE 4

| REF - NO | PART NUMBER | PART NAME | QUANTITY | REMARKS |
|----------------|-----------------|---------------|----------|---------|
| 1 | 6AW-12576-00-00 | HOSE 1 | 1 | |
| 2 | 90467-11136-00 | CLIP | 2 | |
| 3 | 6AW-12577-00-00 | HOSE 2 | 1 | |
| 4 | 6AW-12578-00-00 | HOSE 3 | 1 | |
| 5 | 6E5-24379-00-00 | PIPE, JOINT 4 | 1 | |
| 6 | 6AW-12579-00-00 | HOSE 4 | 1 | |
| 7 | 90464-10010-00 | CLAMP | 2 | |
| 8 | 90445-09111-00 | HOSE (L430) | 1 | |
| 9 | 90467-08M10-00 | CLIP | 2 | |
| 10 | 6AW-12483-00-00 | PIPE 3 | 1 | |
| 11 | 6AW-12482-00-00 | PIPE 2 | 1 | |
| 12 | 6AW-1243A-00-00 | HOSE 1 | 1 | |
| 13 | 6AW-12477-00-00 | PIPE 7 | 1 | |
| 14 | 90465-11M59-00 | CLAMP | 1 | |
| 15 | 6AW-1243E-00-00 | HOSE 2 | 1 | |
| 16 | 6AW-12484-00-00 | PIPE 4 | 1 | |
| 17 | 90465-11M59-00 | CLAMP | 5 | |
| 18 | 6AW-1244G-00-00 | HOSE, 4 | 1 | |
| 19 | 6AW-12491-00-00 | CLAMP 1 | 1 | |
| 20 | 97095-06014-00 | BOLT | 1 | |
| 21 | 92995-06600-00 | WASHER | 1 | |
| 22 | 6AW-12476-00-00 | PIPE 6 | 1 | |
| 23 | 90109-06M86-00 | BOLT | 1 | |
| 24 | 6AW-1244J-00-00 | HOSE 6 | 1 | |
| 25 | 6AW-11378-00-00 | HOSE 2 | 1 | |
| 26 | 93210-207A0-00 | O-RING | 1 | |
| 27 | 95885-06014-00 | BOLT, FLANGE | 3 | |
| 28 | 95885-06010-00 | BOLT, FLANGE | 1 | |



6AW1110-G070


Part List

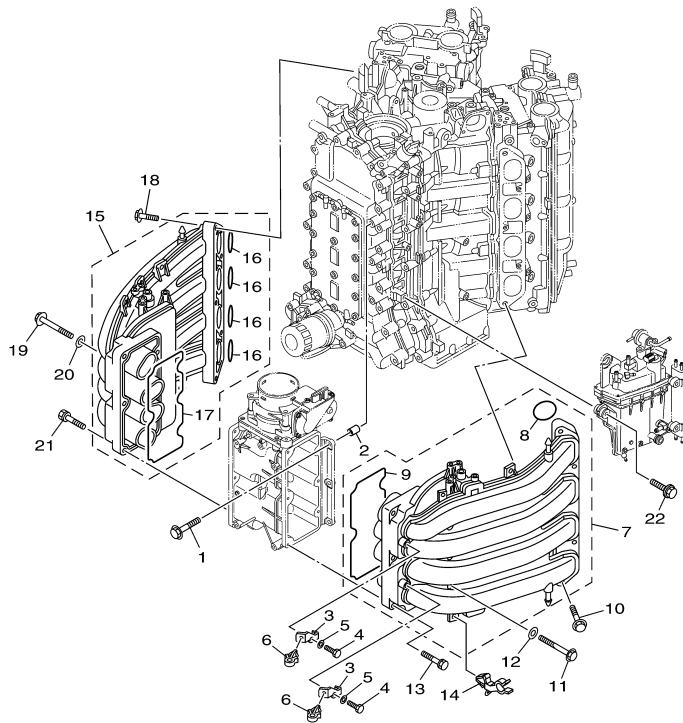
FL350AET1U 0410 / VALVE

| REF - NO | PART NUMBER | PART NAME | QUANTITY | REMARKS |
|----------------|-----------------|-------------------------|----------|---------|
| 1 | 6P2-12111-00-00 | VALVE, INTAKE | 16 | |
| 2 | 6P2-12121-00-00 | VALVE, EXHAUST | 16 | |
| 3 | 69J-12113-01-00 | SPRING, VALVE INNER | 32 | |
| 4 | 69J-12117-01-00 | RETAINER, VALVE SPRING | 32 | |
| 5 | 69J-12118-00-00 | COTTER, VALVE | 64 | |
| 6 | 69J-12119-00-00 | SEAL, VALVE STEM | 32 | |
| 7 | 69J-12153-00-00 | LIFTER, VALVE | 32 | |
| 8 | 6S1-12168-00-00 | PAD, ADJUSTING (2.320) | 32 | UR |
| 8 | 6S1-12169-00-00 | PAD, ADJUSTING (2.960) | 32 | UR |
| 8 | 6S1-12168-20-00 | PAD, ADJUSTING (2.360) | 32 | UR |
| 8 | 6S1-12168-30-00 | PAD, ADJUSTING (2.380) | 32 | UR |
| 8 | 6S1-12168-40-00 | PAD, ADJUSTING (2.400) | 32 | UR |
| 8 | 6S1-12168-50-00 | PAD, ADJUSTING (2.420) | 32 | UR |
| 8 | 6S1-12168-60-00 | PAD, ADJUSTING (2.440) | 32 | UR |
| 8 | 6S1-12168-70-00 | PAD, ADJUSTING (2.460) | 32 | UR |
| 8 | 6S1-12168-80-00 | PAD, ADJUSTING (2.480) | 32 | UR |
| 8 | 6S1-12168-90-00 | PAD, ADJUSTING (2.500) | 32 | UR |
| 8 | 6S1-12168-A0-00 | PAD, ADJUSTING (2.520) | 32 | UR |
| 8 | 6S1-12168-B0-00 | PAD, ADJUSTING (2.540) | 32 | UR |
| 8 | 6S1-12168-C0-00 | PAD, ADJUSTING (2.560) | 32 | UR |
| 8 | 6S1-12168-D0-00 | PAD, ADJUSTING (2.580) | 32 | UR |
| 8 | 6S1-12168-E0-00 | PAD, ADJUSTING (2.600) | 32 | UR |
| 8 | 6S1-12168-F0-00 | PAD, ADJUSTING (2.620) | 32 | UR |
| 8 | 6S1-12168-G0-00 | PAD, ADJUSTING (2.640) | 32 | UR |
| 8 | 6S1-12168-H0-00 | PAD, ADJUSTING (2.660) | 32 | UR |
| 8 | 6S1-12168-J0-00 | PAD, ADJUSTING (2.680) | 32 | UR |
| 8 | 6S1-12168-K0-00 | PAD, ADJUSTING (2.700) | 32 | UR |
| 8 | 6S1-12168-L0-00 | PAD, ADJUSTING (2.720) | 32 | UR |
| 8 | 6S1-12168-M0-00 | PAD, ADJUSTING (2.740) | 32 | UR |
| 8 | 6S1-12168-N0-00 | PAD, ADJUSTING (2.760) | 32 | UR |
| 8 | 6S1-12168-P0-00 | PAD, ADJUSTING (2.780) | 32 | UR |
| 8 | 6S1-12168-R0-00 | PAD, ADJUSTING (2.800) | 32 | UR |
| 8 | 6S1-12168-S0-00 | PAD, ADJUSTING (2.820) | 32 | UR |
| 8 | 6S1-12168-T0-00 | PAD, ADJUSTING (2.840) | 32 | UR |
| 8 | 6S1-12168-U0-00 | PAD, ADJUSTING (2.860) | 32 | UR |
| 8 | 6S1-12168-V0-00 | PAD, ADJUSTING (2.880) | 32 | UR |
| 8 | 6S1-12168-W0-00 | PAD, ADJUSTING (2.900) | 32 | UR |
| 8 | 6S1-12168-X0-00 | PAD, ADJUSTING (2.920) | 32 | UR |
| 8 | 6S1-12168-Y0-00 | PAD, ADJUSTING (2.940) | 32 | UR |
| 8 | 6S1-12168-10-00 | PAD, ADJUSTING (2.340) | 32 | UR |
| 9 | 6AW-12171-01-00 | CAMSHAFT 1 | 1 | |
| 10 | 6AW-12181-00-00 | CAMSHAFT 2 | 1 | |
| 11 | 6AW-12172-01-00 | CAMSHAFT 3 | 1 | |
| 12 | 6AW-12182-00-00 | CAMSHAFT 4 | 1 | |
| 13 | 6AW-11537-00-00 | GEAR, DRIVEN | 1 | |
| 14 | 6AW-11567-00-00 | GEAR, DRIVEN 2 | 1 | |
| 15 | 68V-12157-00-00 | BOLT | 2 | |
| 16 | 6AW-12645-00-00 | PULLEY ASSY 1 | 1 | |
| 17 | 6P2-12623-00-00 | .BOLT | 1 | |
| 18 | 6P2-12663-00-00 | .GASKET | 1 | |
| 19 | 6AW-1264A-00-00 | PULLEY ASSY 2 | 1 | |
| 20 | 6P2-12623-00-00 | .BOLT | 1 | |
| 21 | 6P2-12663-00-00 | .GASKET | 1 | |
| 22 | 6P2-12615-00-00 | BOLT | 2 | |
| 23 | 93102-38008-00 | .OIL SEAL | 4 | |
| 24 | 6AW-W4624-00-00 | BELT (WITH ROTOR BOLTS) | 1 | |
| 25 | 6P2-11590-00-00 | TENSIONER ASSY | 1 | |
| 26 | 6P2-15512-00-00 | GEAR, IDLER 1 | 2 | |
| 27 | 90387-10M08-00 | COLLAR | 2 | |
| 28 | 90119-10M07-00 | BOLT, WITH WASHER | 2 | |
| 29 | 90201-10M01-00 | WASHER, PLATE | 2 | |
| 30 | 6AW-15544-00-00 | STAY 1 | 1 | |
| 31 | 90105-08178-00 | BOLT, FLANGE | 4 | |

Part Notes

FL350AET1U 0410 / VALVE

| PART NUMBER | | NOTE TEXT |
|-----------------|---|---|
| 69J-12119-00-00 |  | OEM: This part number is among the Top 100 Most Popular Marine Maintenance Parts as of February 2013. |



6AW2010-H080

Part List

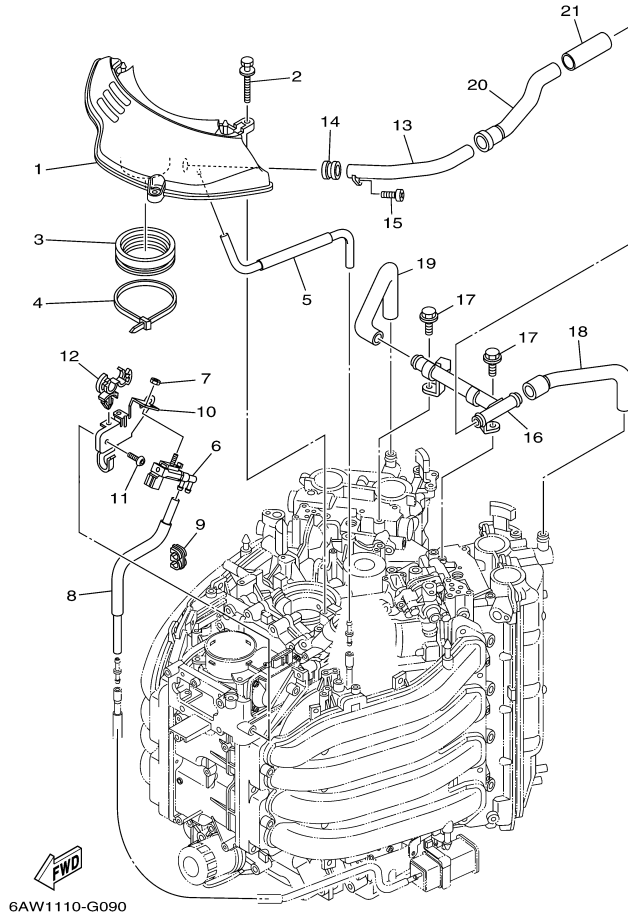
FL350AET1U 0410 / INTAKE 1

| REF - NO | PART NUMBER | PART NAME | QUANTITY | REMARKS |
|----------|-----------------|---------------------|----------|---------|
| 1 | 95875-08035-00 | BOLT, FLANGE | 6 | |
| 2 | 99530-10114-00 | PIN, DOWEL | 2 | |
| 3 | 6AW-13782-00-00 | STAY | 2 | |
| 4 | 97095-06012-00 | BOLT | 2 | |
| 5 | 92995-06600-00 | WASHER | 2 | |
| 6 | 90464-09023-00 | CLAMP | 2 | |
| 7 | 6AW-13641-00-00 | MANIFOLD 1 | 1 | |
| 8 | 6AW-13645-00-00 | .GASKET, MANIFOLD 1 | 4 | |
| 9 | 6AW-13646-00-00 | .GASKET, MANIFOLD 2 | 1 | |
| 10 | 97575-08540-00 | BOLT, WITH WASHER | 5 | |
| 11 | 90105-06149-00 | BOLT, FLANGE | 3 | |
| 12 | 92990-06200-00 | WASHER, PLAIN | 3 | |
| 13 | 90119-06MA6-00 | BOLT, WITH WASHER | 3 | |
| 14 | 90464-17006-00 | CLAMP | 2 | |
| 15 | 6AW-13641-00-00 | MANIFOLD 1 | 1 | |
| 16 | 6AW-13645-00-00 | .GASKET, MANIFOLD 1 | 4 | |
| 17 | 6AW-13646-00-00 | .GASKET, MANIFOLD 2 | 1 | |
| 18 | 97575-08540-00 | BOLT, WITH WASHER | 5 | |
| 19 | 90105-06149-00 | BOLT, FLANGE | 3 | |
| 20 | 92990-06200-00 | WASHER, PLAIN | 3 | |
| 21 | 90119-06MA6-00 | BOLT, WITH WASHER | 3 | |
| 22 | 90119-06M24-00 | BOLT, WITH WASHER | 4 | |

Part Notes

FL350AET1U 0410 / INTAKE 1

| PART NUMBER | NOTE TEXT |
|--|---|
| 92990-06200-00  | OEM: This part number is among the Top 100 Most Popular Marine Maintenance Parts as of February 2013. |
| 92990-06200-00  | OEM: This part number is among the Top 100 Most Popular Marine Maintenance Parts as of February 2013. |

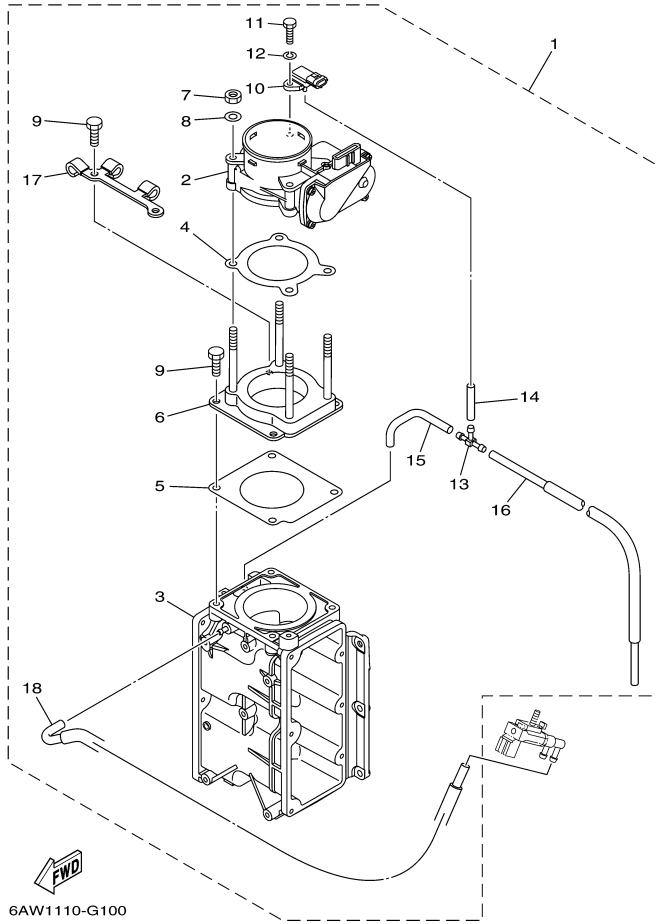


6AW1110-G090

Part List

FL350AET1U 0410 / INTAKE 2

| REF - NO | PART NUMBER | PART NAME | QUANTITY | REMARKS |
|----------------|-----------------|-------------------------|----------|---------|
| 1 | 6AW-14440-00-00 | SILENCER ASSY, INTAKE | 1 | |
| 2 | 90119-06M35-00 | BOLT, WITH WASHER | 3 | |
| 3 | 6AW-1441J-00-00 | PIPE, SILENCER | 1 | |
| 4 | 90464-99004-00 | CLAMP | 1 | |
| 5 | 6AW-14419-00-00 | PIPE | 1 | |
| 6 | 6C5-86120-00-00 | SOLENOID VALVE ASSY | 1 | |
| 7 | 95380-06600-00 | NUT, HEXAGON | 1 | |
| 8 | 6AW-24312-00-00 | PIPE 2 | 1 | |
| 9 | 90464-12224-00 | CLAMP | 1 | |
| 10 | 6AW-8611A-00-00 | HOLDER SOLENOID | 1 | |
| 11 | 90111-06034-00 | BOLT,HEX. SOCKET BUTTON | 2 | |
| 12 | 90464-18246-00 | CLAMP | 1 | |
| 13 | 6AW-15373-00-00 | PIPE, BREATHER | 1 | |
| 14 | 6AW-14445-00-00 | GROMMET | 1 | |
| 15 | 97780-60620-00 | SCREW, TAPPING | 1 | |
| 16 | 6AW-15393-00-00 | PIPE, BREATHER 2 | 1 | |
| 17 | 97575-06514-00 | BOLT, WITH WASHER | 2 | |
| 18 | 6AW-1531A-00-00 | HOSE, BREATHER 1 | 1 | |
| 19 | 6AW-1531A-10-00 | HOSE, BREATHER 1 | 1 | |
| 20 | 6AW-1532A-00-00 | HOSE, BREATHER 2 | 1 | |
| 21 | 90446-32002-00 | HOSE (L90) | 1 | |

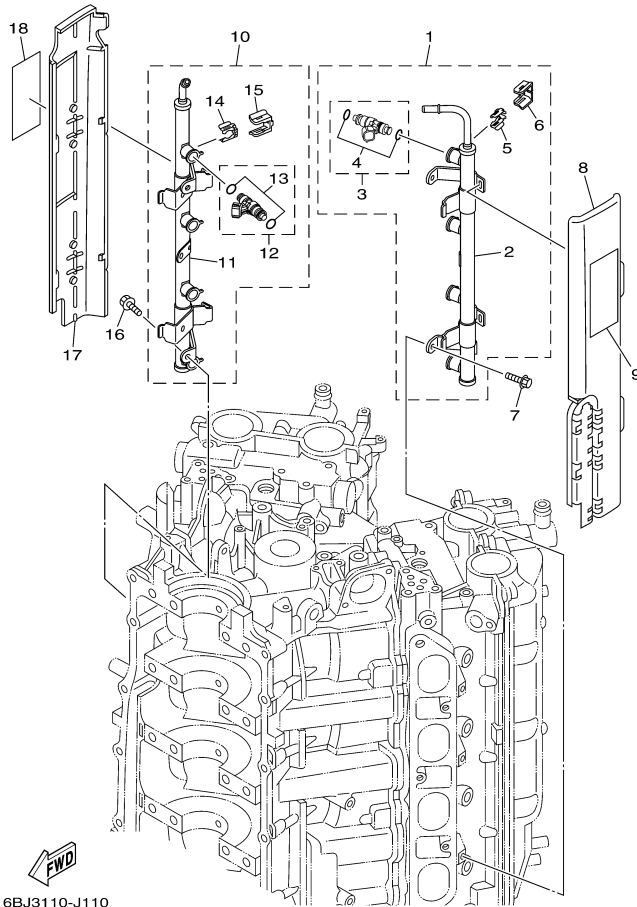


6AW1110-G100

Part List

FL350AET1U 0410 / THROTTLE BODY ASSY 1

| REF - NO | PART NUMBER | PART NAME | QUANTITY | REMARKS |
|----------------|-----------------|-----------------------|----------|---------|
| 1 | 6AW-13750-01-00 | THROTTLE BODY ASSY | 1 | |
| 2 | 6AW-13751-00-00 | .BODY, THROTTLE 1 | 1 | |
| 3 | 6AW-13711-01-00 | .MIXING BODY | 1 | |
| 4 | 6AW-13556-00-00 | .GASKET, MANIFOLD | 1 | |
| 5 | 6AW-13557-00-00 | .GASKET | 1 | |
| 6 | 6AW-14360-00-00 | .THROTTLE DAMPER ASSY | 1 | |
| 7 | 6P2-13588-00-00 | .NUT | 4 | |
| 8 | 6P2-13578-00-00 | .WASHER | 4 | |
| 9 | 6P2-14496-00-00 | .BOLT | 4 | |
| 10 | 6P2-82380-00-00 | .SENSOR, PRESSURE | 1 | |
| 11 | 6P2-13573-00-00 | .BOLT 1 | 1 | |
| 12 | 68V-14356-00-00 | .WASHER, SPRING | 1 | |
| 13 | 4N0-14251-00-00 | .NIPPLE | 1 | |
| 14 | 5JW-24311-00-00 | .PIPE, FUEL 1 | 1 | |
| 15 | 6AW-82364-00-00 | .HOSE 2 | 1 | |
| 16 | 6AW-82365-00-00 | .HOSE 3 | 1 | |
| 17 | 6AW-11188-00-00 | .CLIP, PIPE | 1 | |
| 18 | 6AW-82366-00-00 | .HOSE 4 | 1 | |

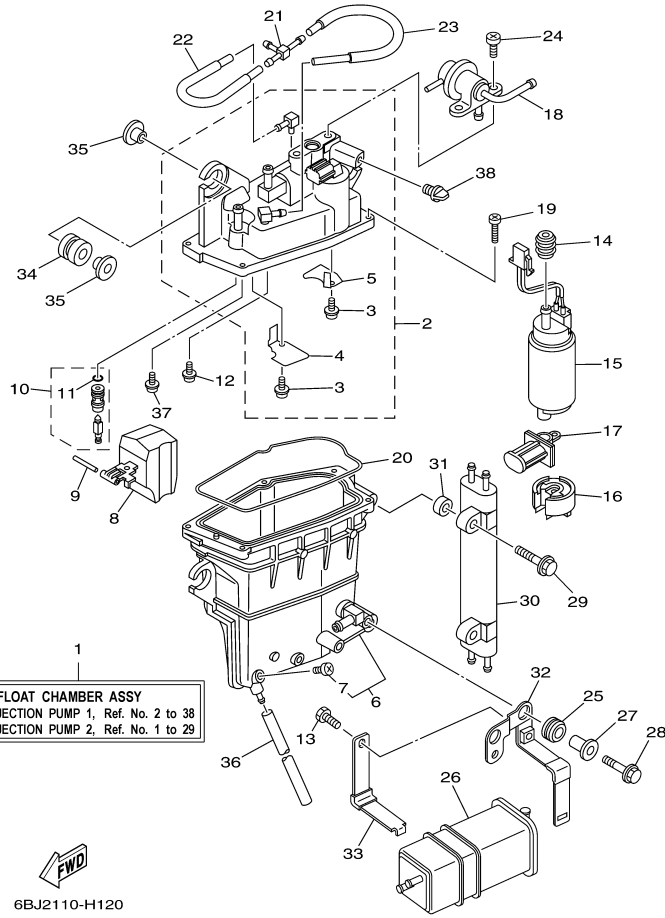


6BJ3110-J110

Part List

FL350AET1U 0410 / THROTTLE BODY ASSY 2

| REF - NO | PART NUMBER | PART NAME | QUANTITY | REMARKS |
|----------------|-----------------|----------------------|----------|---------|
| 1 | 6AW-13160-00-00 | DELIVERY PIPE ASSY 1 | 1 | |
| 2 | 6AW-13161-00-00 | .PIPE, DELIVERY 1 | 1 | |
| 3 | 6AW-13761-00-00 | .INJECTOR | 4 | |
| 4 | 6AW-1410B-00-00 | ..PACKING KIT | 1 | |
| 5 | 6AW-13577-00-00 | .CLIP | 4 | |
| 6 | 6AW-13767-00-00 | .CAP, INJECTOR | 4 | |
| 7 | 95875-06016-00 | BOLT, FLANGE | 2 | |
| 8 | 6AW-13564-00-00 | COVER, MANIFOLD | 1 | |
| 9 | 6AW-13889-00-00 | LABEL | 1 | |
| 10 | 6AW-13170-00-00 | DELIVERY PIPE ASSY 2 | 1 | |
| 11 | 6AW-13171-00-00 | .PIPE, DELIVERY 2 | 1 | |
| 12 | 6AW-13761-00-00 | .INJECTOR | 4 | |
| 13 | 6AW-1410B-00-00 | ..PACKING KIT | 1 | |
| 14 | 6AW-13577-00-00 | .CLIP | 4 | |
| 15 | 6AW-13767-00-00 | .CAP, INJECTOR | 4 | |
| 16 | 95875-06016-00 | BOLT, FLANGE | 2 | |
| 17 | 6AW-13594-00-00 | COVER, MANIFOLD 2 | 1 | |
| 18 | 6AW-13889-10-00 | LABEL | 1 | |




Part List

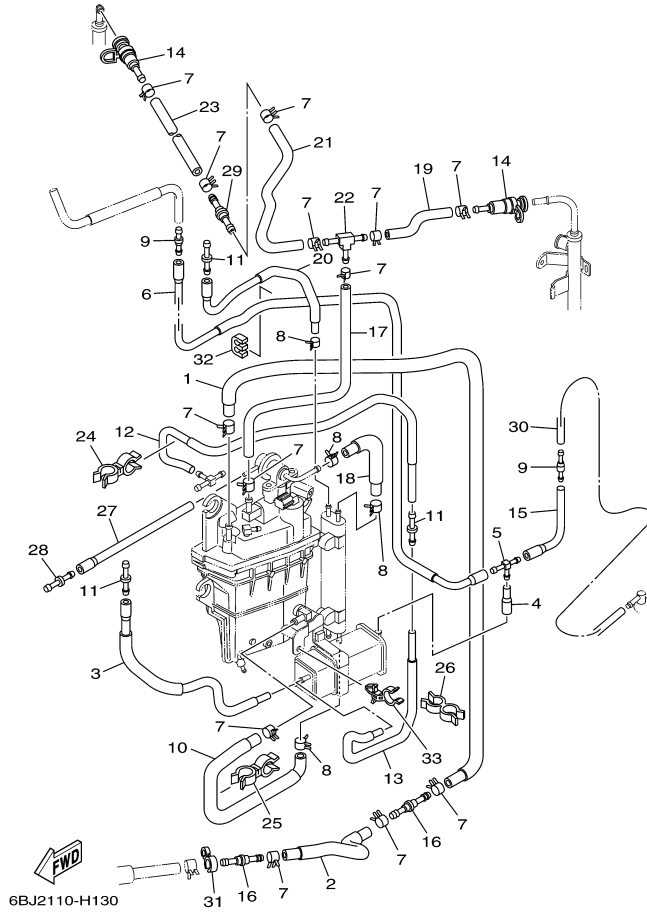
FL350AET1U 0410 / FUEL INJECTION PUMP 1

| REF - NO | PART NUMBER | PART NAME | QUANTITY | REMARKS |
|----------------|-----------------|-----------------------|----------|---------|
| 1 | 6AW-14180-01-00 | FLOAT CHAMBER ASSY | 1 | |
| 2 | 6AW-14182-00-00 | COVER, FLOAT CHAMBER | 1 | |
| 3 | 4SV-24453-00-00 | .SCREW | 2 | |
| 4 | 6AW-2411T-00-00 | .PLATE 2 | 1 | |
| 5 | 6AW-2411R-00-00 | .PLATE 1 | 1 | |
| 6 | 6AW-14181-00-00 | BODY, FLOAT CHAMBER 1 | 1 | |
| 7 | 6P2-14191-00-00 | .PLUG, DRAIN | 1 | |
| 8 | 6P2-14985-00-00 | FLOAT | 1 | |
| 9 | 6P2-14386-00-00 | PIN, FLOAT | 1 | |
| 10 | 6P2-14546-00-00 | VALVE, NEEDLE | 1 | |
| 11 | 6P2-13769-00-00 | .O-RING | 1 | |
| 12 | 4SV-24453-00-00 | SCREW | 1 | |
| 13 | 6P2-13574-00-00 | BOLT 2 | 1 | |
| 14 | 68V-13781-10-00 | .DAMPER, PUMP | 1 | |
| 15 | 6AW-13907-00-00 | FUEL PUMP COMP. | 1 | |
| 16 | 63P-13784-00-00 | .COVER, PUMP | 1 | |
| 17 | 63P-13915-00-00 | FILTER | 1 | |
| 18 | 6AW-13906-00-00 | REGULATOR, PRESSURE | 1 | |
| 19 | 63P-14567-00-00 | SCREW | 5 | |
| 20 | 6AW-14984-00-00 | GASKET, FLOAT CHAMBER | 1 | |
| 21 | 69J-24379-00-00 | PIPE, JOINT 4 | 1 | |
| 22 | 6AW-1475F-00-00 | PIPE 3 | 1 | |
| 23 | 6AW-1475G-00-00 | PIPE 4 | 1 | |
| 24 | 68V-14564-00-00 | SCREW | 2 | |
| 25 | 90480-10M23-00 | GROMMET | 2 | |
| 26 | 6P2-24170-00-00 | CANISTER ASSY | 1 | |
| 27 | 90387-06M60-00 | COLLAR | 2 | |
| 28 | 90119-06M59-00 | BOLT, WITH WASHER | 2 | |
| 29 | 6P2-14446-00-00 | BOLT | 2 | |
| 30 | 69J-21841-02-00 | COOLER | 1 | |
| 31 | 68V-14265-00-00 | COLLAR | 2 | |
| 32 | 6AW-2134X-00-00 | BRACKET, CANISTER | 1 | |
| 33 | 6P2-2419A-00-00 | HOLDER | 1 | |
| 34 | 69J-13593-00-00 | DAMPER | 4 | |
| 35 | 69J-13716-00-00 | COLLAR | 8 | |
| 36 | 6AW-14197-00-00 | PIPE | 1 | |
| 37 | 98507-04008-00 | .SCREW, PAN HEAD | 1 | |
| 38 | 69J-14225-01-00 | .CAP | 1 | |

Part Notes

FL350AET1U 0410 / FUEL INJECTION PUMP 1

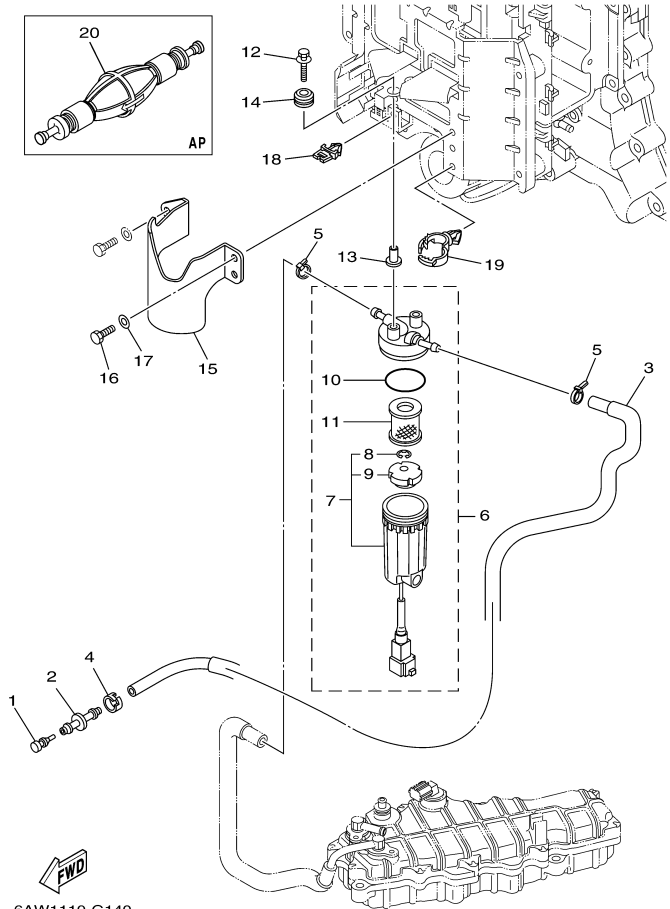
| PART NUMBER | NOTE TEXT |
|---|---|
| 63P-13915-00-00  | OEM: This part number is among the Top 100 Most Popular Marine Maintenance Parts as of February 2013. |



Part List

FL350AET1U 0410 / FUEL INJECTION PUMP 2

| REF - NO | PART NUMBER | PART NAME | QUANTITY | REMARKS |
|----------------|-----------------|-----------------|----------|---------|
| 1 | 6AW-24316-00-00 | PIPE 6 | 1 | |
| 2 | 6AW-24317-00-00 | PIPE 7 | 1 | |
| 3 | 6AW-1475H-00-00 | PIPE 5 | 1 | |
| 4 | 6AW-13545-00-00 | HOSE 1 | 1 | |
| 5 | 688-24378-00-00 | PIPE, JOINT 3 | 1 | |
| 6 | 6AW-13548-00-00 | HOSE, AIR 4 | 1 | |
| 7 | 68V-13577-00-00 | CLIP | 13 | |
| 8 | 68V-24519-00-00 | CLIP | 4 | |
| 9 | 6E5-21744-00-00 | BREATHER | 2 | |
| 10 | 6AW-24315-00-00 | PIPE 5 | 1 | |
| 11 | 6P2-1410F-00-00 | NIPPLE 1 | 3 | |
| 12 | 6AW-1475A-00-00 | PIPE 1 | 1 | |
| 13 | 6AW-1475E-00-00 | PIPE 2 | 1 | |
| 14 | 60E-24300-01-00 | FUEL PIPE JOINT | 2 | |
| 15 | 6AW-13547-00-00 | HOSE 3 | 1 | |
| 16 | 6P2-24461-00-00 | PIPE, JOINT | 2 | |
| 17 | 6AW-13971-10-00 | PIPE, FUEL 1 | 1 | |
| 18 | 6AW-13976-00-00 | PIPE, FUEL 6 | 1 | |
| 19 | 6AW-13974-10-00 | PIPE, FUEL 4 | 1 | |
| 20 | 6AW-2247A-00-00 | HOSE 1 | 1 | |
| 21 | 6AW-13973-10-00 | PIPE, FUEL 3 | 1 | |
| 22 | 6AW-24461-00-00 | PIPE, JOINT | 1 | |
| 23 | 6AW-13972-10-00 | PIPE, FUEL 2 | 1 | |
| 24 | 6AW-2417H-00-00 | CLAMP 1 | 1 | |
| 25 | 6AW-2417J-00-00 | CLAMP 2 | 1 | |
| 26 | 6B6-12486-00-00 | CLIP | 1 | |
| 27 | 6AW-13543-00-00 | HOSE, AIR | 1 | |
| 28 | 6P2-24376-00-00 | PIPE, JOINT 1 | 1 | |
| 29 | 6P2-24461-10-00 | PIPE, JOINT | 1 | |
| 30 | 90445-08033-00 | HOSE (L520) | 1 | |
| 31 | 90464-13M34-00 | CLAMP | 1 | |
| 32 | 90464-07006-00 | CLAMP | 1 | |
| 33 | 90464-17006-00 | CLAMP | 1 | |




6AW1110-G140


Part List

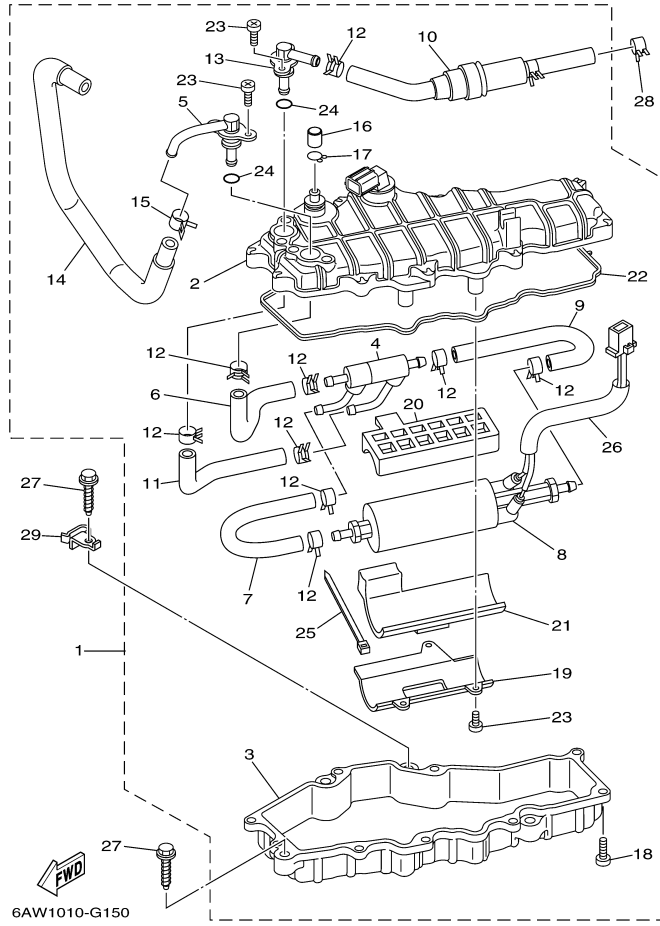
FL350AET1U 0410 / FUEL 1

| REF - NO | PART NUMBER | PART NAME | QUANTITY | REMARKS |
|----------|-----------------|----------------------|----------|---------|
| 1 | 689-85547-00-00 | DAMPER | 1 | |
| 2 | 6AW-24377-00-00 | PIPE, JOINT 2 | 1 | |
| 3 | 6AW-24311-00-00 | PIPE, FUEL 1 | 1 | |
| 4 | 6E5-24351-51-00 | BAND 1 | 1 | |
| 5 | 90465-11M10-00 | CLAMP | 2 | |
| 6 | 6P3-24560-11-00 | FILTER ASSY | 1 | |
| 7 | 6P3-24562-11-00 | .CUP, FILTER | 1 | |
| 8 | 6P3-24519-00-00 | ..CLIP | 1 | |
| 9 | 6P3-24469-00-00 | ..FLOAT, WATER LEVEL | 1 | |
| 10 | 6P3-24564-00-00 | .GASKET | 1 | |
| 11 | 6P3-24563-00-00 | .ELEMENT, FILTER | 1 | |
| 12 | 90119-06M17-00 | BOLT, WITH WASHER | 2 | |
| 13 | 90387-06M60-00 | COLLAR | 2 | |
| 14 | 90480-10M23-00 | GROMMET | 2 | |
| 15 | 6AW-24596-00-00 | COVER | 1 | |
| 16 | 97095-06012-00 | BOLT | 2 | |
| 17 | 92995-06600-00 | WASHER | 2 | |
| 18 | 90464-11121-00 | CLAMP | 1 | |
| 19 | 90464-20181-00 | CLAMP | 1 | |
| 20 | 6AW-24360-00-00 | PRIMER PUMP ASSY | 1 | AP |

Part Notes

FL350AET1U 0410 / FUEL 1

| PART NUMBER | NOTE TEXT |
|---|---|
| 6P3-24564-00-00  | OEM: This part number is among the Top 100 Most Popular Marine Maintenance Parts as of February 2013. |

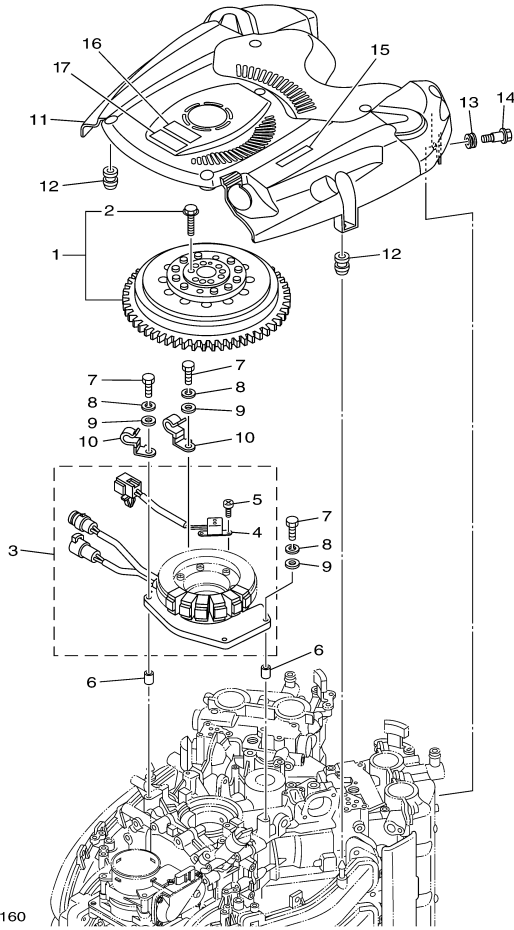


6AW1010-G150

Part List

FL350AET1U 0410 / FUEL 2

| REF - NO | PART NUMBER | PART NAME | QUANTITY | REMARKS |
|----------------|-----------------|----------------------|----------|---------|
| 1 | 6AW-24408-01-00 | FUEL FEED ASSY | 1 | |
| 2 | 6AW-244A0-00-00 | .PUMP CASE COMP | 1 | |
| 3 | 6AW-244A1-00-00 | .CASE, PUMP 1 | 1 | |
| 4 | 6AW-24460-00-00 | .RELIEF VALVE ASSY | 1 | |
| 5 | 6AW-24378-00-00 | .PIPE, JOINT 3 | 1 | |
| 6 | 6AW-24322-00-00 | .PIPE 11 | 1 | |
| 7 | 6AW-24323-00-00 | .PIPE 12 | 1 | |
| 8 | 6AW-24410-00-00 | .FUEL PUMP ASSY | 1 | |
| 9 | 6AW-24324-00-00 | .PIPE 13 | 1 | |
| 10 | 6AW-24502-00-00 | .FILTER, FUEL | 1 | |
| 11 | 6AW-24325-00-00 | .PIPE 14 | 1 | |
| 12 | 68V-13577-00-00 | .CLIP | 9 | |
| 13 | 6AW-24379-00-00 | .PIPE, JOINT 4 | 1 | |
| 14 | 6AW-24321-01-00 | .PIPE 10 | 1 | |
| 15 | 69J-14137-00-00 | .CLIP | 1 | |
| 16 | 6AW-14118-00-00 | .CAP | 1 | |
| 17 | 6AW-24356-00-00 | .CLIP, PIPE 1 | 1 | |
| 18 | 6AW-14567-00-00 | .SCREW | 9 | |
| 19 | 6AW-24491-00-00 | .BRACKET, FUEL PUMP | 1 | |
| 20 | 6AW-24492-00-00 | .BUSH, FUEL PUMP | 1 | |
| 21 | 6AW-24492-10-00 | .BUSH, FUEL PUMP | 1 | |
| 22 | 6AW-24431-00-00 | .GASKET, FUEL PUMP 1 | 1 | |
| 23 | 6AW-14565-00-00 | .SCREW | 7 | |
| 24 | 68V-14397-00-00 | .O-RING | 2 | |
| 25 | 68V-2481H-00-00 | .CLAMP | 1 | |
| 26 | 6AW-24327-00-00 | .PROTECTOR, PIPE | 1 | |
| 27 | 90109-06MA2-00 | BOLT | 4 | |
| 28 | 90467-120A0-00 | CLIP | 1 | |
| 29 | 90462-12009-00 | CLAMP | 1 | |



6AW4110-K160



Part List

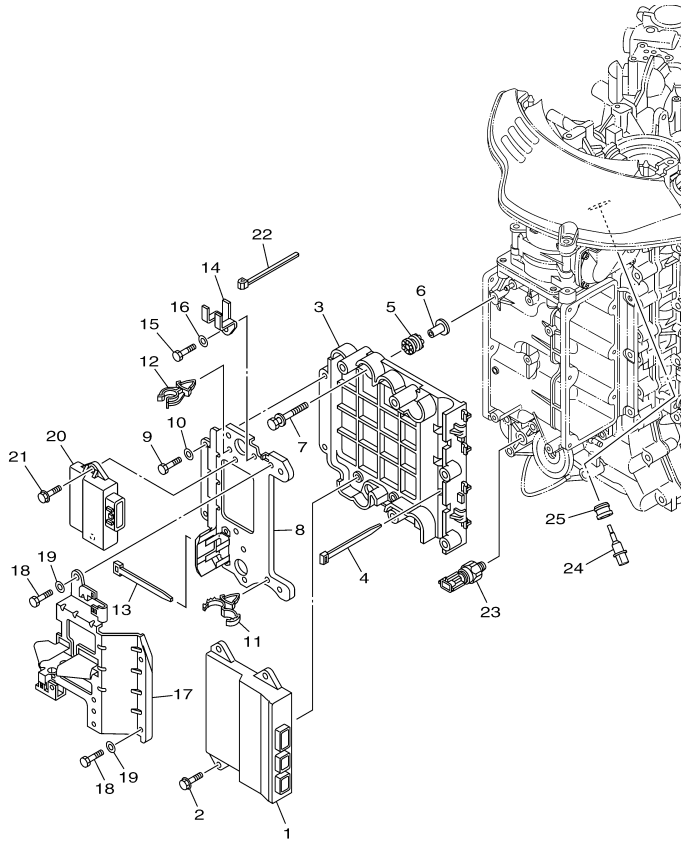
FL350AET1U 0410 / GENERATOR

| REF - NO | PART NUMBER | PART NAME | QUANTITY | REMARKS |
|----------|-----------------|-----------------------------|----------|---------|
| 1 | 6AW-W8145-01-00 | ROTOR ASSY WITH BOLTS | 1 | |
| 2 | 6AW-W9011-00-00 | .BOLT SET (FOR ROTOR ASSY) | 1 | |
| 3 | 6AW-81460-00-00 | BASE ASSY | 1 | |
| 4 | 6AW-85580-00-00 | .COIL, PULSER | 1 | |
| 5 | 63D-81345-00-00 | .SCREW, WITH WASHER (M5X12) | 2 | |
| 6 | 99530-08012-00 | PIN, DOWEL | 2 | |
| 7 | 97095-06030-00 | BOLT | 4 | |
| 8 | 92995-06100-00 | WASHER, SPRING | 4 | |
| 9 | 92995-06600-00 | WASHER | 4 | |
| 10 | 90462-10042-00 | CLAMP | 2 | |
| 11 | 6AW-81337-01-00 | COVER, FLYWHEEL | 1 | |
| 12 | 663-82317-01-00 | DAMPER, IGNITION COIL | 4 | |
| 13 | 90480-12314-00 | GROMMET | 2 | |
| 14 | 90109-06MA1-00 | BOLT | 2 | |
| 15 | 6AW-13437-61-00 | MARK, CAUTION | 1 | |
| 16 | 6AH-81994-40-00 | LABEL, SAFETY | 1 | |
| 17 | 6AH-81994-50-00 | LABEL, SAFETY | 1 | |

Part Notes

FL350AET1U 0410 / GENERATOR

| PART NUMBER | NOTE TEXT |
|--|---|
| 92995-06100-00  | OEM: This part number is among the Top 100 Most Popular Marine Maintenance Parts as of February 2013. |
| 90480-12314-00  | OEM: See Remarks Column: GROMMET used on F115TLR and F/LF115TXR 0510 Production and Later |

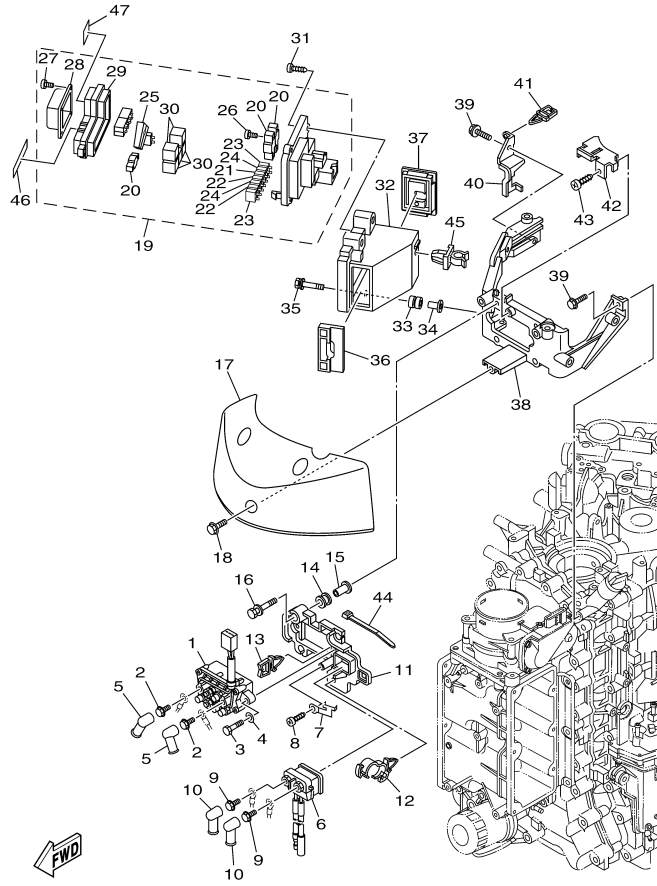


6AW1110-G170

Part List

FL350AET1U 0410 / ELECTRICAL 1

| REF - NO | PART NUMBER | PART NAME | QUANTITY | REMARKS |
|----------------|-----------------|-----------------------------|----------|---------|
| 1 | 6AW-8591A-30-00 | ENGINE CONTROL UNIT ASSY | 1 | |
| 2 | 90119-06M23-00 | BOLT, WITH WASHER | 4 | |
| 3 | 6AW-85991-00-00 | BRACKET, UNIT | 1 | |
| 4 | 90465-14M66-00 | CLAMP | 4 | |
| 5 | 60V-85564-00-00 | GROMMET | 4 | |
| 6 | 90387-06176-00 | COLLAR | 4 | |
| 7 | 68F-85119-00-00 | BOLT | 4 | |
| 8 | 6AW-8591C-00-00 | CASE, ECU | 1 | |
| 9 | 97095-06012-00 | BOLT | 5 | |
| 10 | 92995-06600-00 | WASHER | 5 | |
| 11 | 90464-18246-00 | CLAMP | 1 | |
| 12 | 90464-16240-00 | CLAMP | 1 | |
| 13 | 90465-13M24-00 | CLAMP | 1 | |
| 14 | 6AW-82544-01-00 | CLAMP | 1 | |
| 15 | 97095-06012-00 | BOLT | 1 | |
| 16 | 92995-06600-00 | WASHER | 1 | |
| 17 | 6AW-82588-00-00 | PLATE | 1 | |
| 18 | 97095-06012-00 | BOLT | 4 | |
| 19 | 92995-06600-00 | WASHER | 4 | |
| 20 | 6AW-85740-00-00 | CONTROL UNIT ASSY | 1 | |
| 21 | 90119-06024-00 | BOLT, WITH WASHER | 2 | |
| 22 | 90465-14M66-00 | CLAMP | 1 | |
| 23 | 6AW-83651-00-00 | SENDER, OIL PRESSURE | 1 | |
| 24 | 63P-85886-00-00 | SENSOR, AIR TEMPERATURE | 1 | |
| 25 | 63P-14435-00-00 | GROMMET | 1 | |

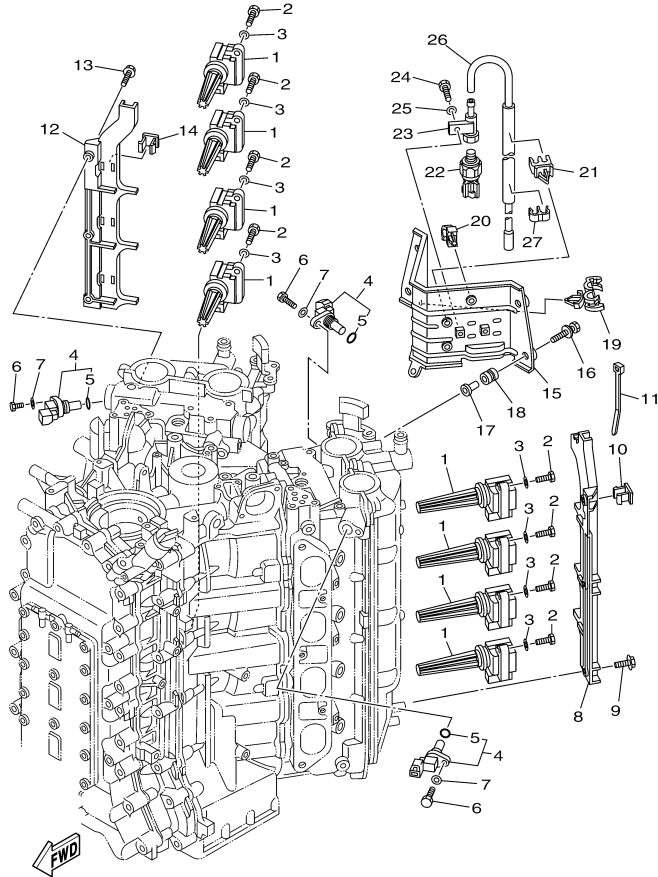



6AW4110-K180

Part List

FL350AET1U 0410 / ELECTRICAL 2

| REF - NO | PART NUMBER | PART NAME | QUANTITY | REMARKS |
|----------------|-----------------|-----------------------|----------|---------|
| 1 | 6AW-81950-00-00 | RELAY ASSY | 1 | |
| 2 | 97595-06610-00 | BOLT, WITH WASHER | 2 | |
| 3 | 97013-06020-00 | BOLT | 2 | |
| 4 | 92903-06600-00 | WASHER, PLATE | 2 | |
| 5 | 6G5-82119-10-00 | COVER, LEAD WIRE | 2 | |
| 6 | 6AW-8194A-00-00 | RELAY | 1 | |
| 7 | 68V-81953-00-00 | STAY, RELAY | 1 | |
| 8 | 97780-60620-00 | SCREW, TAPPING | 1 | |
| 9 | 97595-06610-00 | BOLT, WITH WASHER | 2 | |
| 10 | 6G5-82119-00-00 | COVER, LEAD WIRE | 2 | |
| 11 | 6AW-81952-00-00 | HOLDER, RELAY | 1 | |
| 12 | 90464-12183-00 | CLAMP | 1 | |
| 13 | 90464-11121-00 | CLAMP | 1 | |
| 14 | 6A0-82317-00-00 | DAMPER, IGNITION COIL | 4 | |
| 15 | 90387-06119-00 | COLLAR | 4 | |
| 16 | 90119-06M59-00 | BOLT, WITH WASHER | 4 | |
| 17 | 6AW-81942-00-00 | COVER | 1 | |
| 18 | 95895-06016-00 | BOLT, FLANGE | 3 | |
| 19 | 6AW-82170-01-00 | FUSE BOX ASSY | 1 | |
| 20 | 6P2-82151-00-00 | .FUSE (60A) | 3 | |
| 21 | 67F-82151-00-00 | .FUSE (20A) | 2 | |
| 22 | 67F-82151-10-00 | .FUSE (30A) | 3 | |
| 23 | 67F-82151-40-00 | .FUSE (10A) | 3 | |
| 24 | 67F-82151-50-00 | .FUSE (15A) | 3 | |
| 25 | 67F-2812A-00-00 | .PULLER, FUSE | 1 | |
| 26 | 68F-82846-00-00 | .SCREW, PAN HEAD (M5) | 4 | |
| 27 | 6P2-82113-00-00 | .SCREW | 4 | |
| 28 | 6P2-81639-00-00 | .RELAY COVER | 1 | |
| 29 | 6P2-85544-00-00 | .CASE | 1 | |
| 30 | 68F-8195A-00-00 | .RELAY ASSY | 5 | |
| 31 | 97780-50620-00 | SCREW, TAPPING | 4 | |
| 32 | 6AW-82171-00-00 | STAY, FUSE BOX | 1 | |
| 33 | 6A0-82317-00-00 | DAMPER, IGNITION COIL | 3 | |
| 34 | 90387-06119-00 | COLLAR | 3 | |
| 35 | 90119-06M59-00 | BOLT, WITH WASHER | 3 | |
| 36 | 6AW-82572-00-00 | GROMMET 1 | 1 | |
| 37 | 6AW-82573-00-00 | GROMMET 2 | 1 | |
| 38 | 6AW-81948-00-00 | BRACKET | 1 | |
| 39 | 95895-06020-00 | BOLT, FLANGE | 4 | |
| 40 | 6AW-81678-00-00 | CLAMP 2 | 1 | |
| 41 | 90464-11121-00 | CLAMP | 1 | |
| 42 | 6AW-81443-00-00 | CLAMP, LEAD 1 | 1 | |
| 43 | 97780-50514-00 | SCREW, TAPPING | 1 | |
| 44 | 90465-11M10-00 | CLAMP | 2 | |
| 45 | 90464-09008-00 | CLAMP | 1 | |
| 46 | 6AW-81919-20-00 | GRAPHIC, REGULATOR | 1 | |
| 47 | 6AW-81919-31-00 | GRAPHIC, REGULATOR | 1 | |

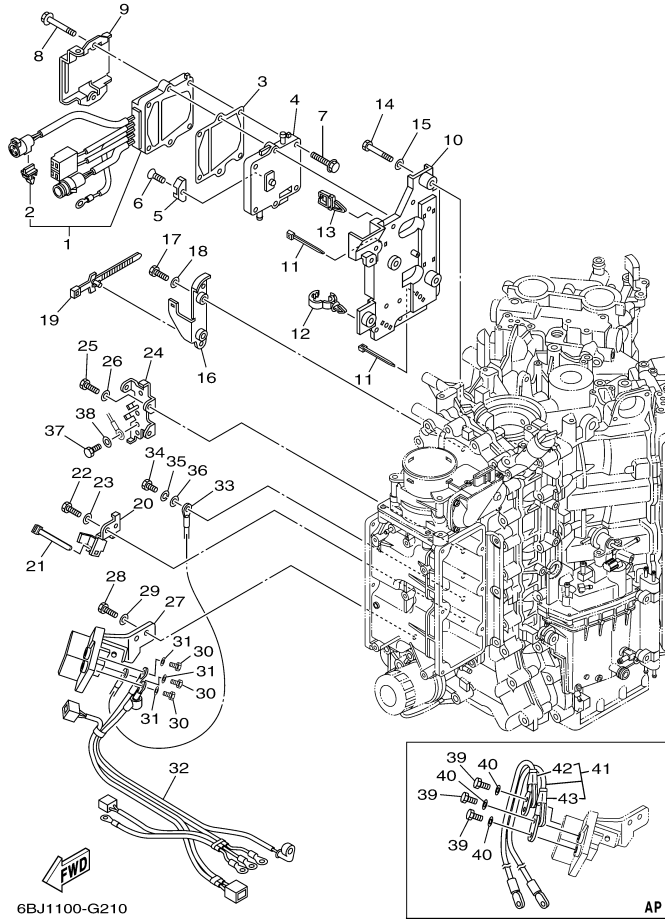


6BK3110-J190

Part List

FL350AET1U 0410 / ELECTRICAL 3

| REF - NO | PART NUMBER | PART NAME | QUANTITY | REMARKS |
|----------------|-----------------|-------------------------|----------|---------|
| 1 | 6AW-82310-01-00 | IGNITION COIL ASSY | 8 | |
| 2 | 97095-06025-00 | BOLT | 8 | |
| 3 | 92995-06600-00 | WASHER | 8 | |
| 4 | 6P2-85896-00-00 | SENSOR, CAM POSITION | 3 | |
| 5 | 6P2-85075-00-00 | .O-RING | 1 | |
| 6 | 97095-06020-00 | BOLT | 3 | |
| 7 | 92995-06600-00 | WASHER | 3 | |
| 8 | 6AW-8272F-00-00 | PLATE, GUIDE 1 | 1 | |
| 9 | 95895-06014-00 | BOLT, FLANGE | 3 | |
| 10 | 6AW-82361-00-00 | CLAMP, CORD | 3 | |
| 11 | 90465-11M10-00 | CLAMP | 1 | |
| 12 | 6AW-8272F-10-00 | PLATE, GUIDE 1 | 1 | |
| 13 | 95895-06014-00 | BOLT, FLANGE | 3 | |
| 14 | 6AW-82361-10-00 | CLAMP, CORD | 4 | |
| 15 | 6AW-8366G-00-00 | BRACKET 3 | 1 | |
| 16 | 90119-06M35-00 | BOLT, WITH WASHER | 4 | |
| 17 | 69M-42758-00-00 | COLLAR | 4 | |
| 18 | 64J-85516-00-00 | SPACER | 4 | |
| 19 | 90464-18246-00 | CLAMP | 1 | |
| 20 | 90464-07259-00 | CLAMP | 1 | |
| 21 | 90464-07009-00 | CLAMP | 2 | |
| 22 | 6AW-8366B-00-00 | .SENSOR, WATER PRESSURE | 1 | |
| 23 | 60V-8366D-00-00 | .ADAPTOR, INPUT | 1 | |
| 24 | 97095-06016-00 | BOLT | 1 | |
| 25 | 92995-06600-00 | WASHER | 1 | |
| 26 | 6AW-82353-00-00 | HOSE | 1 | |
| 27 | 90464-07M20-00 | CLAMP | 1 | |




Part List

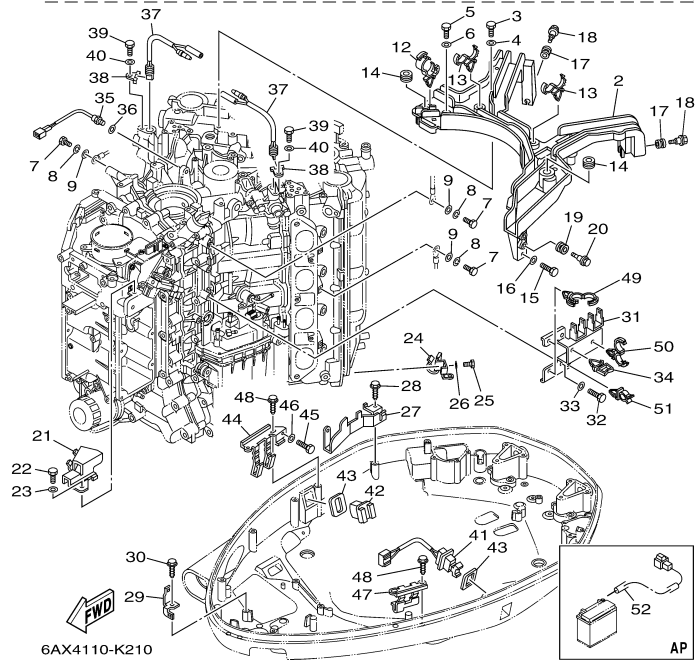
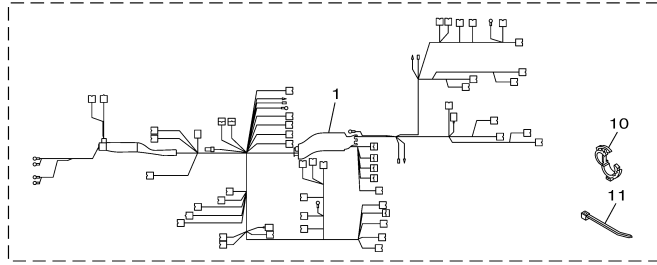
FL350AET1U 0410 / ELECTRICAL 4

| REF - NO | PART NUMBER | PART NAME | QUANTITY | REMARKS |
|----------|-----------------|----------------------------|----------|---------|
| 1 | 6AW-81960-01-00 | RECTIFIER & REGULATOR ASSY | 1 | |
| 2 | 90464-12002-00 | .CLAMP | 1 | |
| 3 | 6AW-81975-00-00 | PLATE, RECTIFIER FITTING | 1 | |
| 4 | 6AW-81972-00-9S | COVER, RECTIFIER | 1 | |
| 5 | 6E5-11325-00-00 | ANODE | 1 | |
| 6 | 98780-04015-00 | SCREW, FLAT HEAD | 1 | |
| 7 | 90119-06MA3-00 | BOLT, WITH WASHER | 4 | |
| 8 | 90119-06MA5-00 | BOLT, WITH WASHER | 2 | |
| 9 | 6AW-82581-00-00 | STAY, CORD CLAMP | 1 | |
| 10 | 6AW-8235A-00-00 | CASE 1 | 1 | |
| 11 | 90465-14M66-00 | CLAMP | 5 | |
| 12 | 90464-13249-00 | CLAMP | 1 | |
| 13 | 90464-11121-00 | CLAMP | 1 | |
| 14 | 97095-06016-00 | BOLT | 4 | |
| 15 | 92995-06600-00 | WASHER | 4 | |
| 16 | 6AW-83614-01-00 | BRACKET | 1 | |
| 17 | 97095-06014-00 | BOLT | 2 | |
| 18 | 92995-06600-00 | WASHER | 2 | |
| 19 | 90464-44002-00 | CLAMP | 2 | |
| 20 | 6AW-81328-00-00 | CLAMP | 1 | |
| 21 | 90465-14M66-00 | CLAMP | 1 | |
| 22 | 97095-06016-00 | BOLT | 1 | |
| 23 | 92995-06600-00 | WASHER | 1 | |
| 24 | 6AW-81218-00-00 | TERMINAL | 1 | |
| 25 | 97095-06016-00 | BOLT | 2 | |
| 26 | 92995-06600-00 | WASHER | 2 | |
| 27 | 6AW-81925-01-00 | TERMINAL | 1 | |
| 28 | 97095-08020-00 | BOLT | 2 | |
| 29 | 92995-08600-00 | WASHER | 2 | |
| 30 | 90101-08022-00 | .BOLT | 3 | |
| 31 | 92990-08600-00 | WASHER, PLATE | 3 | |
| 32 | 6AW-8259M-00-00 | WIRE HARNESS ASSY 2 | 1 | |
| 33 | 6AW-82117-01-00 | WIRE, LEAD | 1 | |
| 34 | 97095-06020-00 | BOLT | 1 | |
| 35 | 92995-06100-00 | WASHER, SPRING | 1 | |
| 36 | 92995-06600-00 | WASHER | 1 | |
| 37 | 97095-06010-00 | BOLT | 4 | |
| 38 | 92995-06600-00 | WASHER | 4 | |
| 39 | 97095-08016-00 | BOLT | 3 | AP |
| 40 | 92995-08600-00 | WASHER | 3 | AP |
| 41 | 6AW-82105-00-00 | WIRE HARNESS | 1 | AP |
| 42 | 6AW-82119-00-00 | .COVER, LEAD WIRE | 1 | |
| 43 | 6AW-82119-20-00 | .COVER, LEAD WIRE | 1 | |

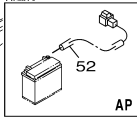
Part Notes

FL350AET1U 0410 / ELECTRICAL 4

| PART NUMBER | NOTE TEXT |
|--|---|
| 92995-06100-00  | OEM: This part number is among the Top 100 Most Popular Marine Maintenance Parts as of February 2013. |



6AX4110-K210







Part List

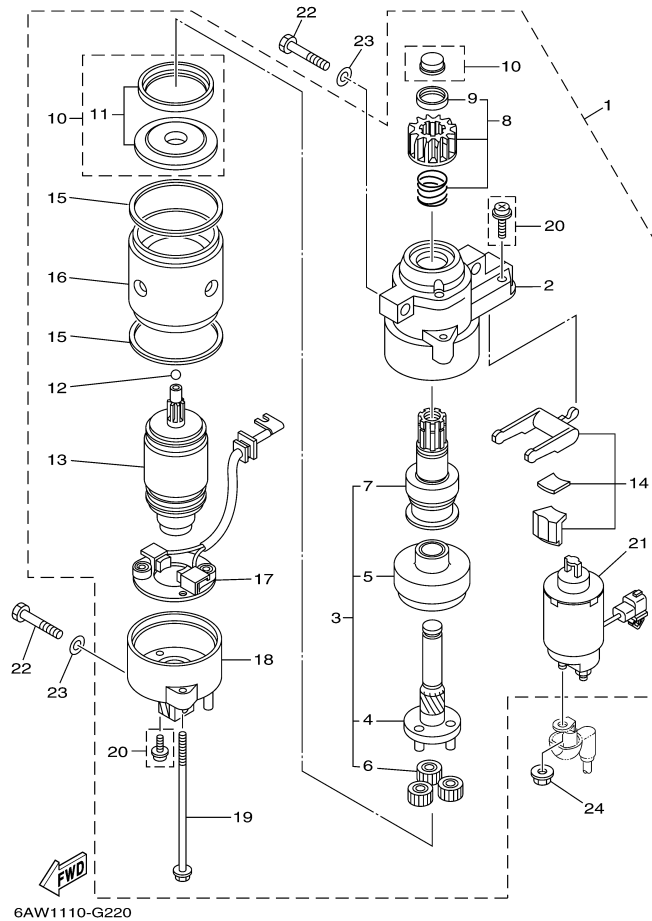
FL350AET1U 0410 / ELECTRICAL 5

| REF - NO | PART NUMBER | PART NAME | QUANTITY | REMARKS |
|----------|-----------------|------------------------------|----------|---------|
| 1 | 6AW-82590-10-00 | WIRE HARNESS ASSY | 1 | |
| 2 | 6AW-82589-00-00 | PROTECTOR, WIRE HARNESS | 1 | |
| 3 | 97095-06035-00 | BOLT | 2 | |
| 4 | 92995-06600-00 | WASHER | 2 | |
| 5 | 97095-06025-00 | BOLT | 1 | |
| 6 | 92995-06600-00 | WASHER | 1 | |
| 7 | 97095-06016-00 | BOLT | 3 | |
| 8 | 92995-06100-00 | WASHER, SPRING | 3 | |
| 9 | 92995-06600-00 | WASHER | 3 | |
| 10 | 90464-30003-00 | CLAMP | 1 | |
| 11 | 90465-13M18-00 | CLAMP | 2 | |
| 12 | 90464-20181-00 | CLAMP | 1 | |
| 13 | 90464-18246-00 | CLAMP | 2 | |
| 14 | 90480-19368-00 | GROMMET | 2 | |
| 15 | 97095-06012-00 | BOLT | 1 | |
| 16 | 92995-06600-00 | WASHER | 1 | |
| 17 | 90480-12314-00 | GROMMET | 2 | |
| 18 | 90109-06MA1-00 | BOLT | 2 | |
| 19 | 90480-12314-00 | GROMMET | 2 | |
| 20 | 90109-06MA1-00 | BOLT | 2 | |
| 21 | 6AW-82388-00-00 | PLATE | 1 | |
| 22 | 97095-06014-00 | BOLT | 1 | |
| 23 | 92995-06600-00 | WASHER | 1 | |
| 24 | 6AW-81677-00-00 | CLAMP 1 | 1 | |
| 25 | 97095-06014-00 | BOLT | 1 | |
| 26 | 92995-06600-00 | WASHER | 1 | |
| 27 | 6AW-8257G-00-00 | CLAMP, CORD | 1 | |
| 28 | 90109-06M86-00 | BOLT | 1 | |
| 29 | 6AW-42743-00-00 | BRACKET | 1 | |
| 30 | 90109-06M86-00 | BOLT | 1 | |
| 31 | 6AW-81845-00-00 | PLATE | 1 | |
| 32 | 97095-06014-00 | BOLT | 2 | |
| 33 | 92995-06600-00 | WASHER | 2 | |
| 34 | 90464-11121-00 | CLAMP | 1 | |
| 35 | 61A-85790-00-00 | THERMOSENSOR ASSY | 1 | |
| 36 | 92990-10600-00 | WASHER, PLATE | 1 | |
| 37 | 6AW-82560-00-00 | THERMO SWITCH ASSY | 2 | |
| 38 | 6E9-82588-00-00 | PLATE | 2 | |
| 39 | 97095-06016-00 | BOLT | 2 | |
| 40 | 92995-06600-00 | WASHER | 2 | |
| 41 | 6AW-82563-00-00 | TRIM & TILT SWITCH ASSY | 1 | |
| 42 | 69J-42723-00-8D | COVER, BOTTOM | 1 | |
| 43 | 69J-82587-00-00 | GASKET | 2 | |
| 44 | 6AX-83614-00-00 | BRACKET | 1 | |
| 45 | 97095-06014-00 | BOLT | 1 | |
| 46 | 92995-06600-00 | WASHER | 1 | |
| 47 | 63P-83614-01-00 | BRACKET | 1 | |
| 48 | 90109-06M86-00 | BOLT | 4 | |
| 49 | 90464-20181-00 | CLAMP | 2 | |
| 50 | 90464-18246-00 | CLAMP | 1 | |
| 51 | 90464-09008-00 | CLAMP | 1 | |
| 52 | 69J-81949-02-00 | WIRE, LEAD (ISOLATOR, 3.8M) | 1 | AP |

Part Notes

FL350AET1U 0410 / ELECTRICAL 5

| PART NUMBER | NOTE TEXT |
|--|---|
| 92995-06100-00  | OEM: This part number is among the Top 100 Most Popular Marine Maintenance Parts as of February 2013. |
| 90480-12314-00  | OEM: See Remarks Column: GROMMET used on F115TLR and F/LF115TXR 0510 Production and Later |
| 90480-12314-00  | OEM: See Remarks Column: GROMMET used on F115TLR and F/LF115TXR 0510 Production and Later |
| 92990-10600-00  | OEM: This part number is among the Top 100 Most Popular Marine Maintenance Parts as of February 2013. |

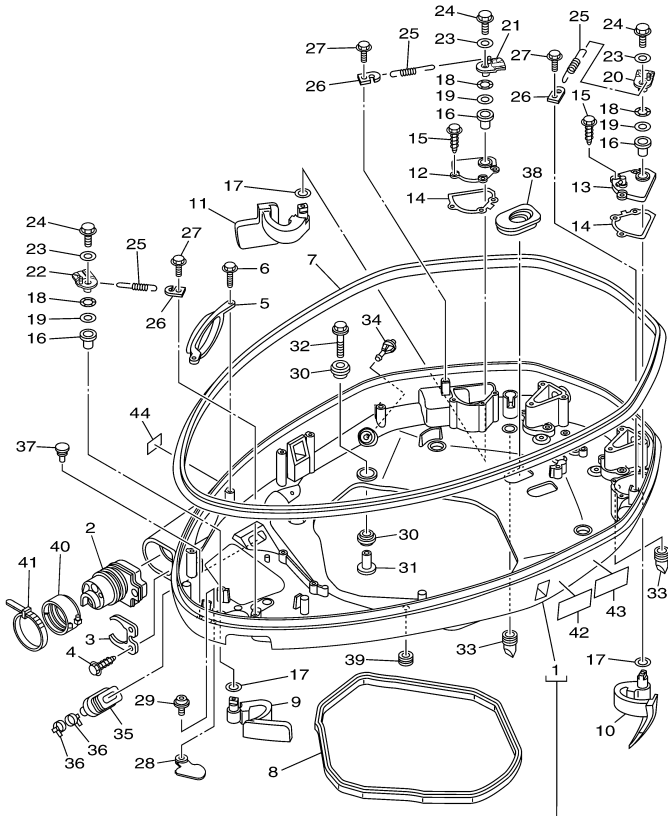


6AW1110-G220

Part List

FL350AET1U 0410 / STARTING MOTOR

| REF - NO | PART NUMBER | PART NAME | QUANTITY | REMARKS |
|----------------|-----------------|-------------------------------|----------|---------|
| 1 | 6AW-81800-00-00 | STARTING MOTOR ASSY | 1 | |
| 2 | 6AW-81830-00-00 | .FRONT BRACKET ASSY | 1 | |
| 3 | 6AW-81807-00-00 | .GEAR ASSY, STARTING MOTOR | 1 | |
| 4 | 6AW-81836-00-00 | ..SHAFT, PINION | 1 | |
| 5 | 6AW-81891-00-00 | ..GEAR, RING | 1 | |
| 6 | 6AW-8183T-00-00 | ..GEAR, IDLER | 3 | |
| 7 | 6AW-81832-00-00 | ..CLUTCH, OVER RUN | 1 | |
| 8 | 6AW-81808-00-00 | .PINION ASSY | 1 | |
| 9 | 6AW-81857-00-00 | ..RETAINER | 1 | |
| 10 | 6AW-81862-00-00 | .CAP | 1 | |
| 11 | 6AW-8183R-00-00 | ..PACKING SET | 1 | |
| 12 | 6AW-81854-00-00 | .BALL, STEEL | 1 | |
| 13 | 6AW-81850-00-00 | .ARMATURE ASSY | 1 | |
| 14 | 6AW-81839-00-00 | .LEVER ASSY | 1 | |
| 15 | 6AW-81842-00-00 | .PACKING | 2 | |
| 16 | 6AW-81810-00-00 | .STATOR ASSY | 1 | |
| 17 | 6AW-81840-00-00 | .BRUSH HOLDER ASSY | 1 | |
| 18 | 6AW-81820-00-00 | .REAR BRACKET ASSY | 1 | |
| 19 | 6AW-81826-00-00 | .BOLT | 1 | |
| 20 | 6AW-81846-00-00 | .SCREW | 1 | |
| 21 | 6AW-81941-00-00 | .STARTER RELAY ASSY | 1 | |
| 22 | 97013-08045-00 | BOLT | 3 | |
| 23 | 92903-08600-00 | WASHER, PLATE | 3 | |
| 24 | 90179-08003-00 | NUT | 1 | |



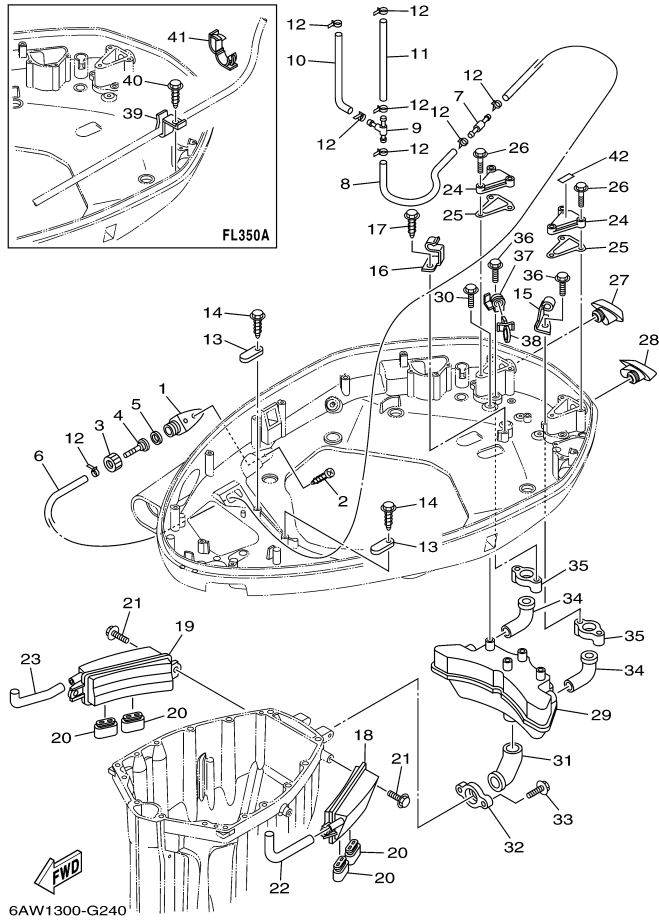

6BJ2110-H230

BOTTOM COWLING
CYLINDER CRANKCASE 4, Ref. No. 23
FUEL 2, Ref. No. 27
ELECTRICAL 5, Ref. No. 28, 30, 48
BOTTOM COWLING 1, Ref. No. 4, 6, 15, 27
BOTTOM COWLING 2, Ref. No. 14, 17, 26

Part List

FL350AET1U 0410 / BOTTOM COWLING 1

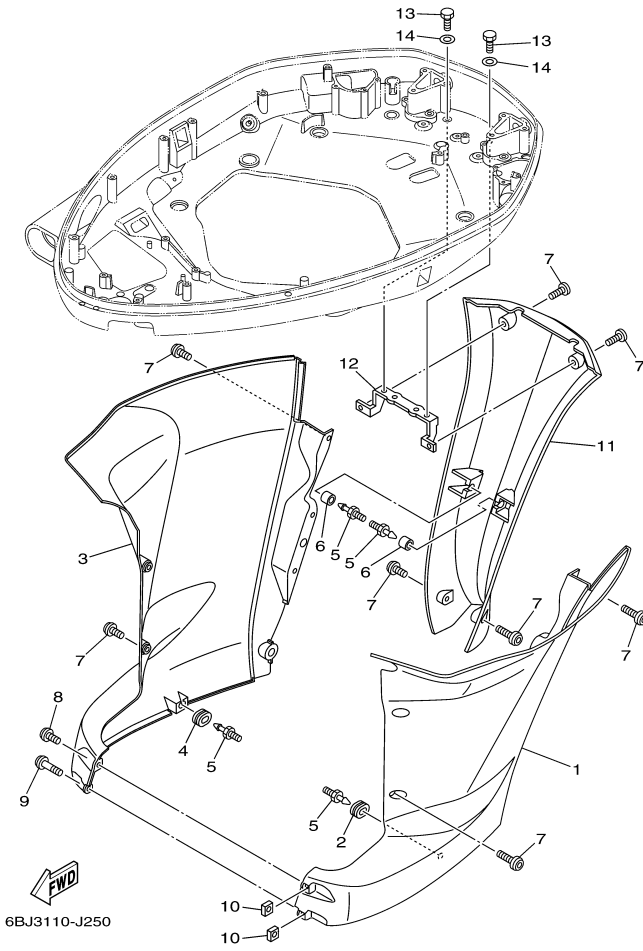
| REF - NO | PART NUMBER | PART NAME | QUANTITY | REMARKS |
|----------------|-----------------|--------------------------|----------|---------|
| 1 | 6AW-42710-00-8D | BOTTOM COWLING ASSY | 1 | |
| 2 | 6AW-42725-00-00 | GROMMET | 1 | |
| 3 | 6AW-42761-00-00 | STOPPER | 1 | |
| 4 | 90109-06M86-00 | BOLT | 2 | |
| 5 | 6AW-42735-00-00 | PROTECTOR | 1 | |
| 6 | 90109-06M86-00 | BOLT | 2 | |
| 7 | 6AW-42615-00-00 | SEAL | 1 | |
| 8 | 63P-42716-00-00 | RUBBER, SEAL 1 | 1 | |
| 9 | 6AW-42815-00-8D | LEVER, CLAMP | 1 | |
| 10 | 6AW-42816-01-8D | LEVER, CLAMP | 1 | |
| 11 | 6AW-42817-01-8D | LEVER, CLAMP | 1 | |
| 12 | 6AW-42828-00-8D | PLATE, CLAMP | 1 | |
| 13 | 6AW-42829-00-8D | PLATE, CLAMP 2 | 1 | |
| 14 | 6AW-42722-00-00 | GASKET 2 | 2 | |
| 15 | 90109-06M81-00 | BOLT | 6 | |
| 16 | 90381-15002-00 | BUSH, SOLID | 3 | |
| 17 | 90202-15M37-00 | WASHER, PLATE | 3 | |
| 18 | 90206-15M18-00 | WASHER, WAVE | 3 | |
| 19 | 90201-156J2-00 | WASHER, PLATE | 3 | |
| 20 | 6AW-42818-01-00 | LEVER, CLAMP | 1 | |
| 21 | 6AW-42819-01-00 | LEVER, CLAMP | 1 | |
| 22 | 6AW-4281A-01-00 | LEVER, CLAMP 6 | 1 | |
| 23 | 90201-06M30-00 | WASHER, PLATE | 3 | |
| 24 | 90105-06155-00 | BOLT, FLANGE | 3 | |
| 25 | 90506-22001-00 | SPRING, TENSION | 3 | |
| 26 | 66T-43144-00-00 | HOOK, SPRING | 3 | |
| 27 | 90109-06M86-00 | BOLT | 3 | |
| 28 | 6AW-42851-00-00 | COVER, CLAMP | 1 | |
| 29 | 90111-06094-00 | BOLT,HEX. SOCKET BUTTON | 1 | |
| 30 | 90480-22M81-00 | GROMMET | 12 | |
| 31 | 90387-08M37-00 | COLLAR | 6 | |
| 32 | 90119-08M22-00 | BOLT, WITH WASHER | 6 | |
| 33 | 61A-42717-00-00 | RUBBER, SEAL 2 | 2 | |
| 34 | 6P2-44391-00-00 | NIPPLE, HOSE | 1 | |
| 35 | 6H1-42726-21-00 | GROMMET | 1 | |
| 36 | 90465-11M10-00 | CLAMP | 2 | |
| 37 | 6H4-42748-00-00 | GROMMET | 1 | |
| 38 | 6AW-42726-00-00 | GROMMET | 2 | |
| 39 | 90480-16007-00 | GROMMET | 1 | |
| 40 | 68F-42753-00-00 | FASTNER | 1 | AP |
| 41 | 90464-20258-00 | CLAMP | 1 | AP |
| 42 | 6AH-42794-40-00 | LABEL, WARNING (GENERAL) | 1 | |
| 43 | 6AH-42794-50-00 | LABEL, WARNING (GENERAL) | 1 | |
| 44 | 6AH-81996-00-00 | MARK | 1 | |



Part List

FL350AET1U 0410 / BOTTOM COWLING 2

| REF - NO | PART NUMBER | PART NAME | QUANTITY | REMARKS |
|----------------|-----------------|--------------------|----------|---------|
| 1 | 6AW-12572-00-00 | ADAPTER | 1 | |
| 2 | 97780-60520-00 | SCREW, TAPPING | 2 | |
| 3 | 6R3-12581-00-00 | JOINT, HOSE 1 | 1 | |
| 4 | 6AW-12582-00-00 | JOINT, HOSE 2 | 1 | |
| 5 | 6R3-12583-00-00 | GASKET, HOSE JOINT | 1 | |
| 6 | 90445-14015-00 | HOSE (L1520) | 1 | |
| 7 | 6AW-42785-00-00 | PIPE | 1 | |
| 8 | 90445-14013-00 | HOSE (L480) | 1 | |
| 9 | 6AW-42169-00-00 | JOINT | 1 | |
| 10 | 66V-24314-00-00 | PIPE 4 | 1 | |
| 11 | 90445-116J1-00 | HOSE (L185) | 1 | |
| 12 | 90465-11M10-00 | CLAMP | 8 | |
| 13 | 6E5-82588-00-00 | PLATE | 2 | |
| 14 | 90109-06M81-00 | BOLT | 2 | |
| 15 | 90465-08M82-00 | CLAMP | 1 | |
| 16 | 6AW-42744-00-00 | STAY | 1 | |
| 17 | 90109-06M86-00 | BOLT | 1 | |
| 18 | 6AW-42733-00-00 | BOX, DRAIN | 1 | |
| 19 | 6AW-42734-00-00 | BOX, DRAIN 2 | 1 | |
| 20 | 69J-42717-00-00 | RUBBER, SEAL 2 | 4 | |
| 21 | 95895-06016-00 | BOLT, FLANGE | 4 | |
| 22 | 6AW-42786-00-00 | HOSE, DRAIN 1 | 1 | |
| 23 | 6AW-42787-00-00 | HOSE, DRAIN 2 | 1 | |
| 24 | 6AW-42723-00-8D | COVER, BOTTOM | 2 | |
| 25 | 6AW-42721-00-00 | GASKET 1 | 2 | |
| 26 | 90109-06M81-00 | BOLT | 6 | |
| 27 | 6AW-42769-00-00 | SEAL, RUBBER | 1 | |
| 28 | 6AW-42629-00-00 | SEAL | 1 | |
| 29 | 6AW-14750-00-00 | SILENCER ASSY | 1 | |
| 30 | 95875-06016-00 | BOLT, FLANGE | 4 | |
| 31 | 6AW-1475E-00-00 | PIPE 2 | 1 | |
| 32 | 6AW-14763-00-00 | SPACER | 1 | |
| 33 | 95875-06025-00 | BOLT, FLANGE | 2 | |
| 34 | 6AW-1475F-00-00 | PIPE 3 | 2 | |
| 35 | 6AW-14764-00-CA | SPACER | 2 | |
| 36 | 95875-06016-00 | BOLT, FLANGE | 4 | |
| 37 | 6AW-8339X-00-00 | CLAMP, CORD | 1 | |
| 38 | 90464-12001-00 | CLAMP | 1 | |
| 39 | 6AX-8257G-00-00 | CLAMP, CORD | 1 | |
| 40 | 90109-06M86-00 | BOLT | 1 | |
| 41 | 90464-18001-00 | CLAMP | 2 | |
| 42 | 68V-82377-00-00 | LABEL | 1 | |




Part List

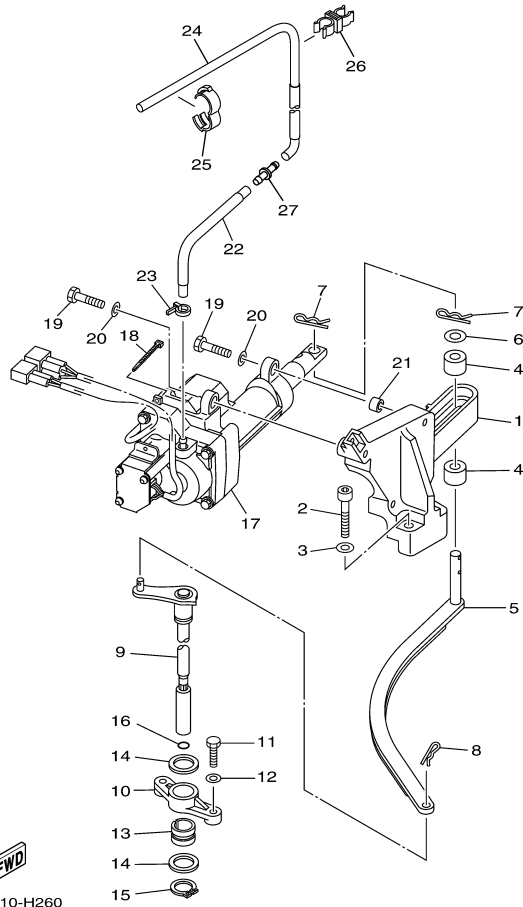
FL350AET1U 0410 / BOTTOM COWLING 3

| REF - NO | PART NUMBER | PART NAME | QUANTITY | REMARKS |
|----------|-----------------|-------------------------|----------|---------|
| 1 | 6AW-42741-00-8D | APRON | 1 | |
| 2 | 90480-14M17-00 | GROMMET | 1 | |
| 3 | 6AW-42771-00-8D | APRON | 1 | |
| 4 | 90480-14M17-00 | GROMMET | 1 | |
| 5 | 69J-42774-10-00 | STAY, APRON 1 | 4 | |
| 6 | 90386-07001-00 | BUSH | 2 | |
| 7 | 90111-06111-00 | BOLT,HEX. SOCKET BUTTON | 14 | |
| 8 | 90111-06111-00 | BOLT,HEX. SOCKET BUTTON | 1 | |
| 9 | 90111-06113-00 | BOLT,HEX. SOCKET BUTTON | 1 | |
| 10 | 90173-06001-00 | NUT, SQUARE | 2 | |
| 11 | 6AW-45151-01-8D | COVER, UPPER CASING | 1 | |
| 12 | 6AW-42775-00-00 | STAY, APRON 2 | 1 | |
| 13 | 97095-06014-00 | BOLT | 2 | |
| 14 | 92995-06600-00 | WASHER | 2 | |

Part Notes

FL350AET1U 0410 / BOTTOM COWLING 3

| PART NUMBER | NOTE TEXT |
|--|---|
| 90173-06001-00  | OEM: This part number is among the Top 100 Most Popular Marine Maintenance Parts as of February 2013. |



6BJ2110-H260


Part List

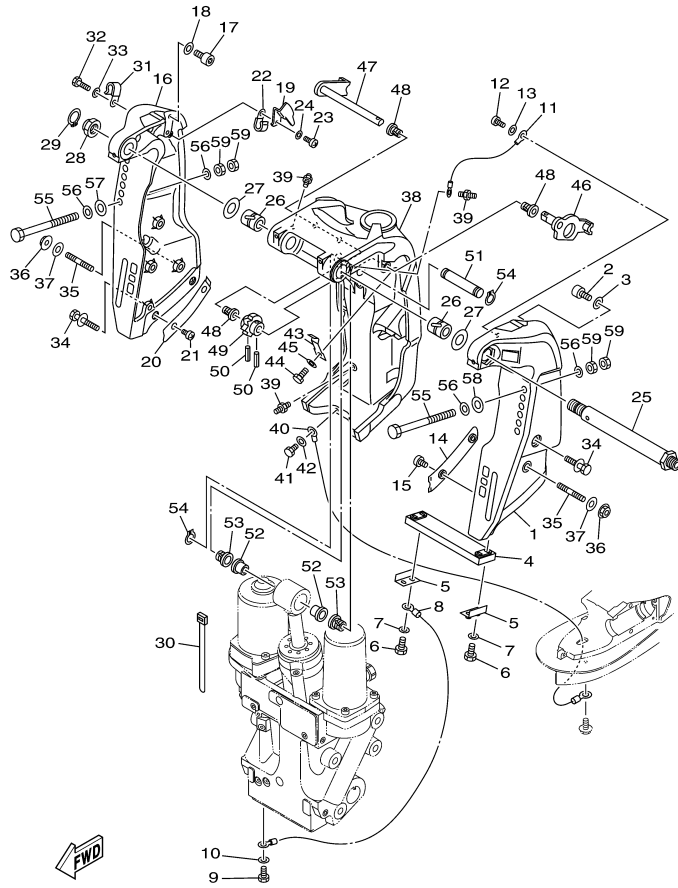
FL350AET1U 0410 / CONTROL

| REF - NO | PART NUMBER | PART NAME | QUANTITY | REMARKS |
|----------|-----------------|---------------------------|----------|----------|
| 1 | 6AW-44176-00-00 | BRACKET | 1 | |
| 2 | 90110-08085-00 | BOLT, HEXAGON SOCKET HEAD | 2 | |
| 3 | 92990-08600-00 | WASHER, PLATE | 2 | |
| 4 | 6AW-44122-00-00 | BUSHING, SHIFT ROD LEVER | 2 | |
| 5 | 6AW-44121-00-00 | LEVER, SHIFT ROD | 1 | |
| 6 | 90201-11008-00 | WASHER, PLATE | 1 | |
| 7 | 90468-180A0-00 | CLIP | 2 | |
| 8 | 90468-18008-00 | CLIP | 1 | |
| 9 | 6AW-44120-10-00 | HANDLE GEAR SHIFT ASSY | 1 | U(30.1") |
| 10 | 6AW-44118-00-00 | BRACKET | 1 | |
| 11 | 97095-06025-00 | BOLT | 2 | |
| 12 | 92995-06600-00 | WASHER | 2 | |
| 13 | 90380-19001-00 | BUSH, SOLID | 1 | |
| 14 | 90202-19001-00 | WASHER, PLATE | 2 | |
| 15 | 93410-19088-00 | CIRCLIP | 1 | |
| 16 | 93210-09165-00 | O-RING | 1 | |
| 17 | 6AW-4820A-10-00 | ACTUATOR UNIT | 1 | |
| 18 | 90465-11M10-00 | CLAMP | 1 | |
| 19 | 97080-08030-00 | BOLT | 4 | |
| 20 | 92900-08600-00 | WASHER | 4 | |
| 21 | 90387-08M31-00 | COLLAR | 2 | |
| 22 | 6AW-24314-10-00 | PIPE 4 | 1 | |
| 23 | 90465-11M10-00 | CLAMP | 1 | |
| 24 | 6AW-24314-00-00 | PIPE 4 | 1 | |
| 25 | 90464-16001-00 | CLAMP | 1 | |
| 26 | 90464-10M59-00 | CLAMP | 1 | |
| 27 | 6G8-24376-00-00 | PIPE, JOINT 1 | 1 | |

Part Notes

FL350AET1U 0410 / CONTROL

| PART NUMBER | NOTE TEXT |
|--|---|
| 90468-18008-00  | OEM: This part number is among the Top 100 Most Popular Marine Maintenance Parts as of February 2013. |



6AW4110-K270


Part List

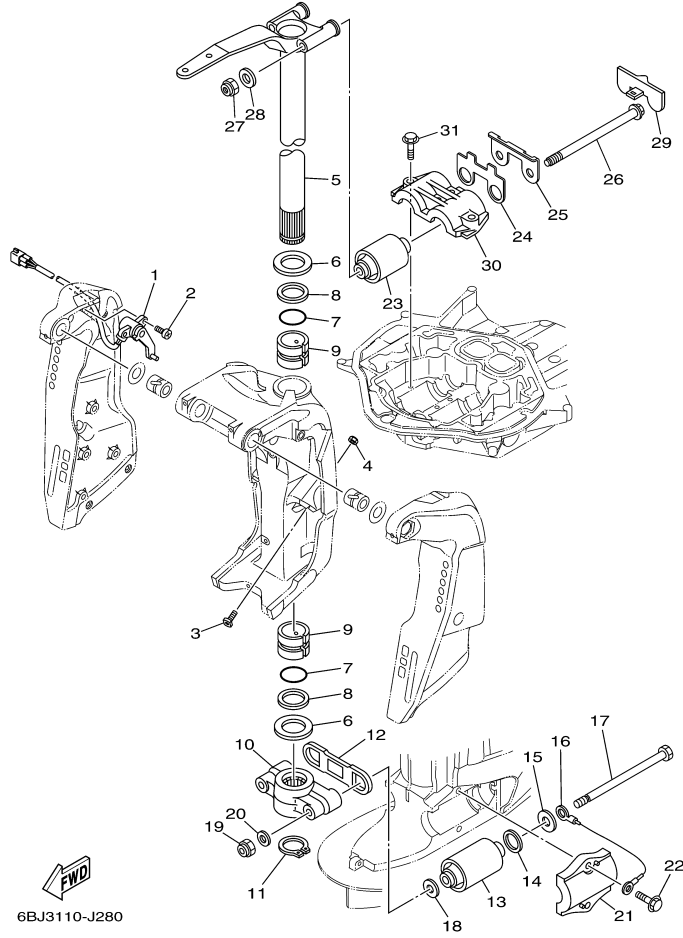
FL350AET1U 0410 / BRACKET 1

| REF - NO | PART NUMBER | PART NAME | QUANTITY | REMARKS |
|----------------|-----------------|------------------------------|----------|---------|
| 1 | 6AW-43111-00-8D | BRACKET, CLAMP 1 | 1 | |
| 2 | 90110-10092-00 | BOLT, HEXAGON SOCKET HEAD | 1 | |
| 3 | 90201-10049-00 | WASHER, PLATE | 1 | |
| 4 | 6AW-45251-00-00 | ANODE | 1 | |
| 5 | 6G5-44526-00-00 | PLATE | 2 | |
| 6 | 97095-06030-00 | BOLT | 4 | |
| 7 | 92995-06600-00 | WASHER | 4 | |
| 8 | 6H1-82148-00-00 | WIRE, LEAD 4 | 1 | |
| 9 | 97095-06010-00 | BOLT | 1 | |
| 10 | 92995-06600-00 | WASHER | 1 | |
| 11 | 6H1-82148-00-00 | WIRE, LEAD 4 | 1 | |
| 12 | 97885-06012-00 | SCREW, PAN HEAD | 1 | |
| 13 | 92995-06600-00 | WASHER | 1 | |
| 14 | 61A-43132-00-00 | WASHER, FRICTION | 1 | |
| 15 | 97885-06010-00 | SCREW, PAN HEAD | 2 | |
| 16 | 6AW-43112-00-8D | BRACKET, CLAMP 2 | 1 | |
| 17 | 90110-10092-00 | BOLT, HEXAGON SOCKET HEAD | 1 | |
| 18 | 90201-10049-00 | WASHER, PLATE | 1 | |
| 19 | 6AW-43113-00-00 | PLATE, CLAMP BRACKET | 1 | |
| 20 | 61A-43133-00-00 | WASHER,FRICTION | 1 | |
| 21 | 97885-06010-00 | SCREW, PAN HEAD | 2 | |
| 22 | 90465-08M83-00 | CLAMP | 1 | |
| 23 | 97885-06012-00 | SCREW, PAN HEAD | 1 | |
| 24 | 92995-06600-00 | WASHER | 1 | |
| 25 | 6R3-43131-10-00 | BOLT, CLAMP BRACKET | 1 | |
| 26 | 90386-25003-00 | BUSH | 2 | |
| 27 | 90201-26014-00 | WASHER, PLATE | 2 | |
| 28 | 90185-22007-00 | NUT, SELF-LOCKING | 1 | |
| 29 | 93410-21089-00 | CIRCLIP | 1 | |
| 30 | 90465-11M10-00 | CLAMP | 3 | |
| 31 | 90465-08M83-00 | CLAMP | 1 | |
| 32 | 97095-06014-00 | BOLT | 1 | |
| 33 | 92995-06600-00 | WASHER | 1 | |
| 34 | 90119-10039-00 | BOLT, WITH WASHER | 6 | |
| 35 | 90116-10047-00 | BOLT, STUD | 2 | |
| 36 | 95780-10300-00 | NUT, FLANGE | 2 | |
| 37 | 90201-10048-00 | WASHER, PLATE | 2 | |
| 38 | 6AW-43311-00-8D | BRACKET, SWIVEL 1 | 1 | |
| 39 | 93700-06M03-00 | NIPPLE, GREASE | 3 | |
| 40 | 6E5-82147-00-00 | WIRE, LEAD 5 | 1 | |
| 41 | 97095-06010-00 | BOLT | 1 | |
| 42 | 92995-06600-00 | WASHER | 1 | |
| 43 | 6AW-44116-00-00 | SPRING | 1 | |
| 44 | 97095-06010-00 | BOLT | 1 | |
| 45 | 92995-06600-00 | WASHER | 1 | |
| 46 | 6AW-43181-00-00 | LEVER, TILT STOP 1 | 1 | |
| 47 | 6AW-43185-00-00 | LEVER, TILT STOP 2 | 1 | |
| 48 | 90386-10M16-00 | BUSH | 3 | |
| 49 | 6AW-43148-00-00 | COLLAR, DISTANCE | 1 | |
| 50 | 91690-30020-00 | PIN, SPRING | 2 | |
| 51 | 6AW-43126-01-00 | PIN, UPPER SHOCK MOUNT | 1 | |
| 52 | 90386-18M63-00 | BUSH | 2 | |
| 53 | 90386-18M14-00 | BUSH | 2 | |
| 54 | 93410-18M02-00 | CIRCLIP | 2 | |
| 55 | 90101-12036-00 | BOLT (170MM) | 2 | AP |
| 55 | 90101-12031-00 | BOLT (150MM) | 6 | |
| 56 | 90201-12060-00 | WASHER, PLATE | 12 | |
| 57 | 90201-12M05-00 | WASHER, PLATE | 2 | |
| 58 | 90201-13M19-00 | WASHER, PLATE | 4 | |
| 59 | 95380-12600-00 | NUT | 12 | |

Part Notes

FL350AET1U 0410 / BRACKET 1

| PART NUMBER | | NOTE TEXT |
|----------------|---|---|
| 93700-06M03-00 |  | OEM: This part number is among the Top 100 Most Popular Marine Maintenance Parts as of February 2013. |

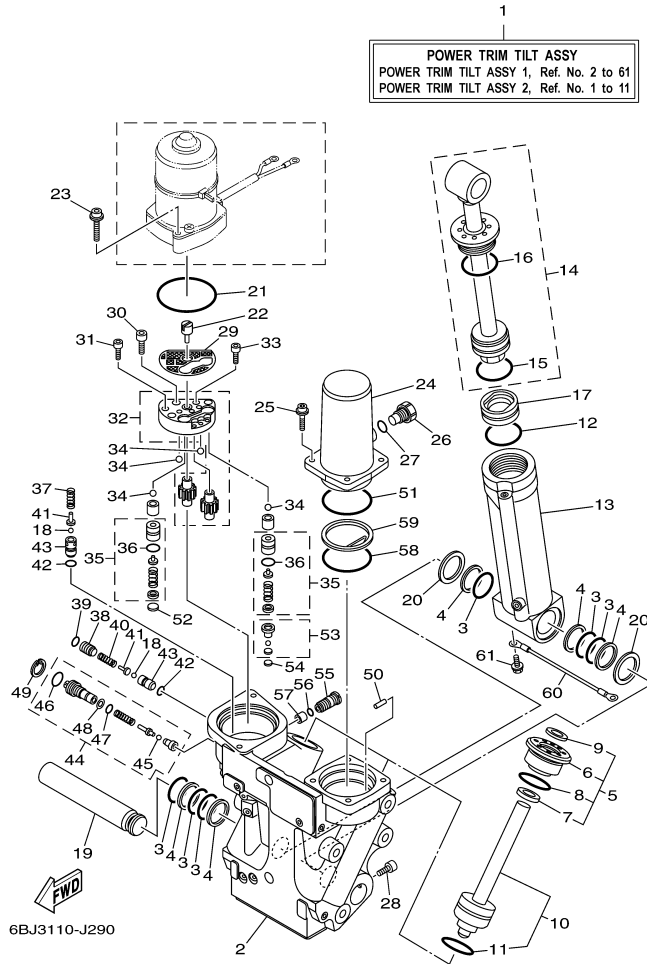


6BJ3110-J280

Part List

FL350AET1U 0410 / BRACKET 2

| REF - NO | PART NUMBER | PART NAME | QUANTITY | REMARKS |
|----------------|-----------------|----------------------------------|----------|---------|
| 1 | 6AW-83672-00-00 | TRIM SENDER | 1 | |
| 2 | 97885-06016-00 | SCREW, PAN HEAD | 2 | |
| 3 | 6AW-43376-00-00 | BOLT, THRUST RECEIVER | 2 | |
| 4 | 95780-10300-00 | NUT, FLANGE | 2 | |
| 5 | 6AW-42510-01-8D | STEERING BRACKET ASSY | 1 | |
| 6 | 90201-46008-00 | WASHER, PLATE | 2 | |
| 7 | 93210-43001-00 | O-RING | 2 | |
| 8 | 90202-45001-00 | WASHER, PLATE | 2 | |
| 9 | 90386-45002-00 | BUSH | 2 | |
| 10 | 6AW-44551-00-8D | HOUSING, LOWER MOUNT RUBBER 1 | 1 | |
| 11 | 93410-44087-00 | CIRCLIP | 1 | |
| 12 | 6AW-44575-00-00 | DAMPER, LOWER MOUNT RUBBER | 1 | |
| 13 | 6AW-44555-00-00 | MOUNT DAMPER, LOWER SIDE | 2 | |
| 14 | 90202-32M19-00 | WASHER, PLATE | 2 | |
| 15 | 90201-16016-00 | WASHER, PLATE | 2 | |
| 16 | 6AW-82149-00-00 | WIRE, LEAD 3 | 1 | |
| 17 | 90101-14004-00 | BOLT | 2 | |
| 18 | 90201-15M58-00 | WASHER, PLATE | 2 | |
| 19 | 90185-14M00-00 | NUT, SELF-LOCKING | 2 | |
| 20 | 92995-14600-00 | WASHER | 2 | |
| 21 | 6AW-44552-00-CA | HOUSING, LOWER MOUNT RUBBER 2 | 2 | |
| 22 | 90119-10024-00 | BOLT, WITH WASHER | 4 | |
| 23 | 6AW-44514-01-94 | MOUNT DAMPER, UPPER SIDE | 2 | |
| 24 | 6AW-44532-00-00 | STOPPER, UPPER MOUNT | 1 | |
| 25 | 6AW-44526-00-00 | PLATE | 1 | |
| 26 | 90105-16003-00 | BOLT, FLANGE | 2 | |
| 27 | 90185-16008-00 | NUT, SELF-LOCKING | 2 | |
| 28 | 90201-16030-00 | WASHER, PLATE | 2 | |
| 29 | 6AW-44533-00-00 | DAMPER, UPPER MOUNT RUBBER | 1 | |
| 30 | 6AW-44511-01-CA | COVER, UPPER MOUNT | 1 | |
| 31 | 90119-10024-00 | BOLT, WITH WASHER | 4 | |



6BJ3110-J290


Part List

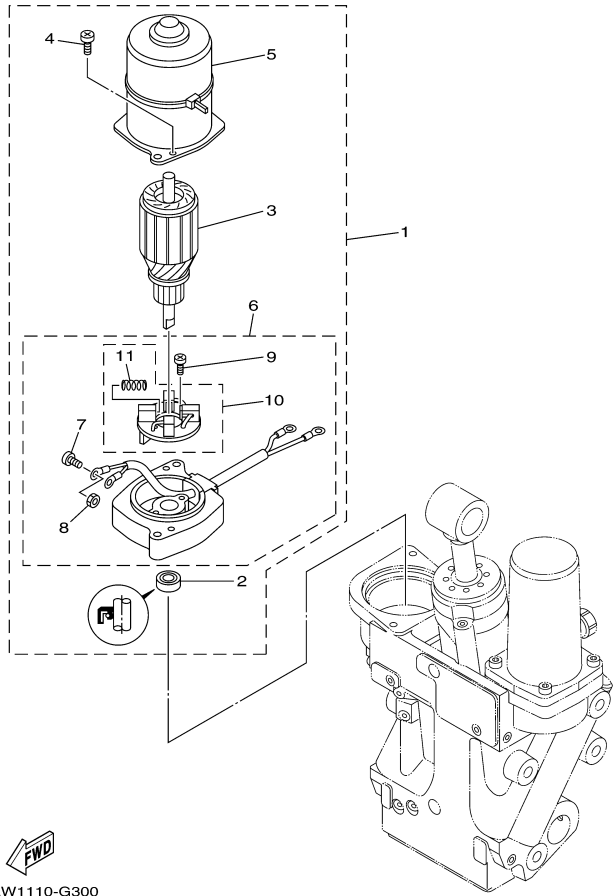
FL350AET1U 0410 / POWER TRIM TILT ASSY 1

| REF - NO | PART NUMBER | PART NAME | QUANTITY | REMARKS |
|----------------|-----------------|------------------------------|----------|---------|
| 1 | 6AW-43800-01-00 | POWER TRIM & TILT ASSY | 1 | |
| 2 | 6AW-43825-01-00 | HOUSING, TRIM & TILT | 1 | |
| 3 | 6AW-4389H-00-00 | O-RING | 6 | |
| 4 | 6AW-43871-00-00 | RING, BACK UP | 5 | |
| 5 | 6AW-4380R-00-00 | CYLINDER END SUB ASSY | 2 | |
| 6 | 6AW-43821-00-00 | .SCREW, TRIM CYLINDER END | 1 | |
| 7 | 6AW-4384J-00-00 | .SEAL, TRIM DOWN | 1 | |
| 8 | 6E5-43862-00-00 | .O-RING | 1 | |
| 9 | 6AW-43822-00-00 | .SEAL, TRIM DUST | 1 | |
| 10 | 6AW-43820-00-00 | TRIM PISTON SUB ASSY | 2 | |
| 11 | 6G5-43864-00-00 | .O-RING | 1 | |
| 12 | 6E5-43862-00-00 | O-RING | 1 | |
| 13 | 6AW-43813-00-00 | CYLINDER, TILT | 1 | |
| 14 | 6AW-43810-01-00 | TILT PISTON SUB ASSY | 1 | |
| 15 | 6E5-43862-00-00 | .O-RING | 1 | |
| 16 | 64E-43866-00-00 | .O-RING | 1 | |
| 17 | 6AW-43814-00-00 | PISTON, FREE | 1 | |
| 18 | 64E-43858-00-00 | .BALL | 2 | |
| 19 | 6AW-4381A-00-00 | SHAFT | 1 | |
| 20 | 6AW-4387G-00-00 | WASHER | 2 | |
| 21 | 64E-43868-00-00 | O-RING | 1 | |
| 22 | 64E-43831-00-00 | CONNECTOR, SHAFT | 1 | |
| 23 | 6AW-43879-00-00 | SCREW, WITH WASHER | 2 | |
| 24 | 6AW-43828-00-00 | BODY, RESERVOIR | 1 | |
| 25 | 6AW-43887-00-00 | BOLT | 4 | |
| 26 | 6AW-43829-00-00 | PLUG, RESERVOIR | 1 | |
| 27 | 6AW-43897-00-00 | O-RING | 1 | |
| 28 | 6AW-4388E-00-00 | BOLT ,SCREW | 1 | |
| 29 | 64E-43817-11-00 | FILTER 2 | 1 | |
| 30 | 6AW-43878-00-00 | BOLT, SOCKET | 4 | |
| 31 | 6AW-43888-00-00 | BOLT, SOCKET | 3 | |
| 32 | 6AW-43830-00-00 | GEAR PUMP ASSY | 1 | |
| 33 | 6AW-43886-00-00 | BOLT | 1 | |
| 34 | 6AW-43858-00-00 | .BALL | 4 | |
| 35 | 6AW-43802-00-00 | VALVE SUB ASSY | 2 | |
| 36 | 6E5-43896-00-00 | .O-RING | 1 | |
| 37 | 6AW-43856-00-00 | SPRING, DOWN RELIEF | 1 | |
| 38 | 6AW-4388J-00-00 | PLUG 2 | 1 | |
| 39 | 6AW-43869-00-00 | O-RING | 1 | |
| 40 | 6AW-4384H-00-00 | SPRING | 1 | |
| 41 | 6AW-43844-00-00 | PIN, VALVE SUPPORT | 2 | |
| 42 | 6G5-43863-00-00 | .O-RING | 2 | |
| 43 | 6AW-4382G-00-00 | VALVE SEAT | 2 | |
| 44 | 6AW-43860-01-00 | MANUAL VALVE SUB-ASSY | 1 | |
| 45 | 64E-43858-00-00 | .BALL | 1 | |
| 46 | 72X-85075-L0-00 | .O-RING | 1 | |
| 47 | 64E-4387A-00-00 | .O-RING | 1 | |
| 48 | 64E-43873-00-00 | .RING, BACK UP | 1 | |
| 49 | 6AW-43875-00-00 | RING, SNAP | 1 | |
| 50 | 6AW-4381G-00-00 | PIN 1 | 1 | |
| 51 | 6AW-43861-00-00 | O-RING | 1 | |
| 52 | 6AW-43817-00-00 | FILTER 2 | 1 | |
| 53 | 6AW-43809-00-00 | SEAT VALVE COMP. 2 | 1 | |
| 54 | 64E-43816-00-00 | .FILTER 1 | 1 | |
| 55 | 6AX-4388J-00-00 | PLUG 2 | 1 | |
| 56 | 64E-43865-00-00 | .O-RING | 1 | |
| 57 | 6AW-4388H-00-00 | PLUG | 1 | |
| 58 | 6AW-4389J-00-00 | O-RING | 1 | |
| 59 | 6AW-43899-00-00 | PLATE STOPPER | 1 | |
| 60 | 6H1-82148-00-00 | WIRE, LEAD 4 | 1 | |
| 61 | 97595-06510-00 | BOLT, WITH WASHER | 1 | |

Part Notes

FL350AET1U 0410 / POWER TRIM TILT ASSY 1

| PART NUMBER | | NOTE TEXT |
|-----------------|---|---|
| 6G5-43864-00-00 |  | OEM: This part number is among the Top 100 Most Popular Marine Maintenance Parts as of February 2013. |

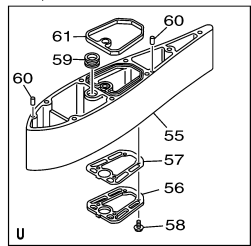
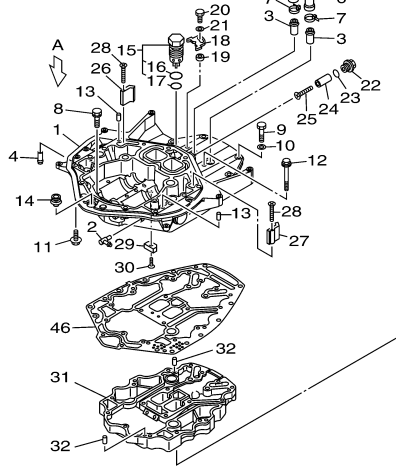
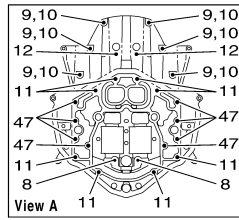


6AW1110-G300

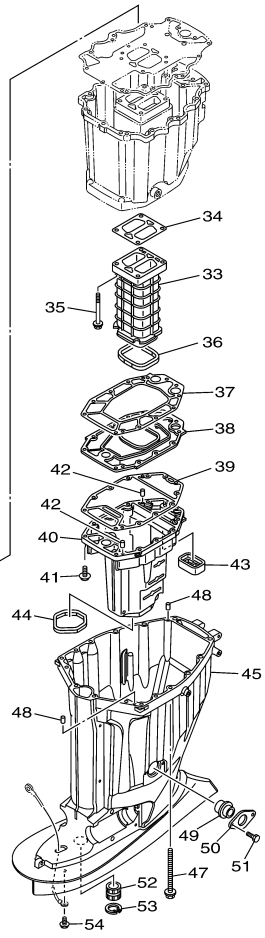
Part List

FL350AET1U 0410 / POWER TRIM TILT ASSY 2

| REF - NO | PART NUMBER | PART NAME | QUANTITY | REMARKS |
|----------------|-----------------|------------------|----------|---------|
| 1 | 6AW-43880-01-00 | MOTOR ASSY | 1 | |
| 2 | 6AW-43882-00-00 | .OIL SEAL | 1 | |
| 3 | 6AW-43805-00-00 | .ARMATURE ASSY | 1 | |
| 4 | 6AW-43843-00-00 | .SCREW | 2 | |
| 5 | 6AW-43804-00-00 | .STATOR ASSY | 1 | |
| 6 | 6AW-43881-11-00 | .FRAME, END | 1 | |
| 7 | 6AX-43887-00-00 | ..BOLT | 2 | |
| 8 | 6AW-43138-00-00 | ..NUT | 2 | |
| 9 | 6AW-43842-00-00 | ..SCREW | 2 | |
| 10 | 6AW-4380J-00-00 | ..HOLDER, BRUSH | 1 | |
| 11 | 6AW-4386K-00-00 | ...SPRING, BRUSH | 4 | |



6AW4110-K310



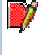

Part List

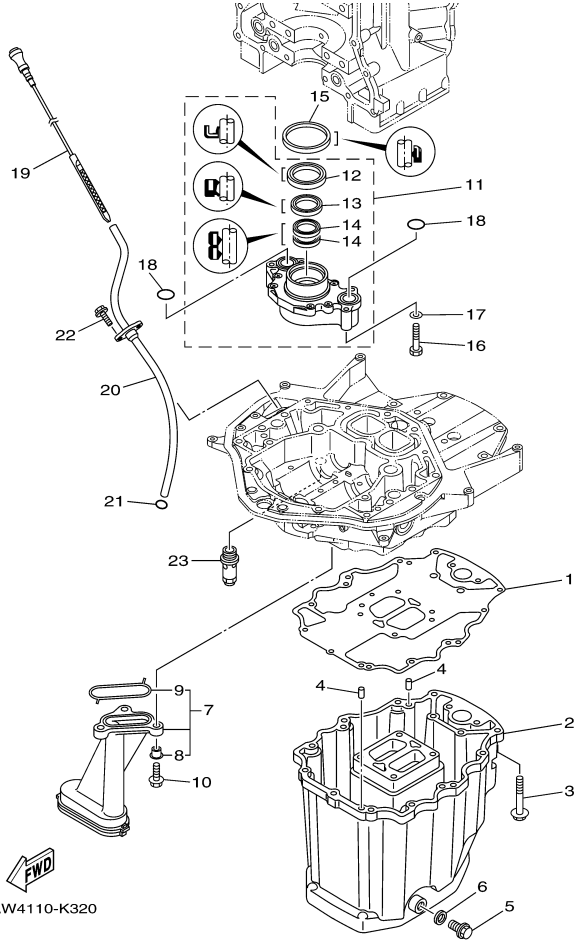
FL350AET1U 0410 / UPPER CASING

| REF - NO | PART NUMBER | PART NAME | QUANTITY | REMARKS |
|----------------|-----------------|--------------------------------|----------|----------|
| 1 | 6AW-41137-11-CA | GUIDE, EXHAUST | 1 | |
| 2 | 6H1-11372-00-00 | .NIPPLE, HOSE | 1 | |
| 3 | 6AW-1475G-00-00 | PIPE 4 | 2 | |
| 4 | 6AW-1475J-00-00 | PIPE | 2 | |
| 5 | 6AW-1244H-00-00 | HOSE 5 | 1 | |
| 6 | 6AW-1243F-00-00 | HOSE,3 | 1 | |
| 7 | 90465-11M59-00 | CLAMP | 4 | |
| 8 | 90119-08102-00 | BOLT, WITH WASHER | 2 | |
| 9 | 97075-10045-00 | BOLT | 6 | |
| 10 | 92995-10600-00 | WASHER | 6 | |
| 11 | 90119-10040-00 | BOLT, WITH WASHER | 8 | |
| 12 | 97575-10585-00 | BOLT, WITH WASHER | 2 | |
| 13 | 93608-16M16-00 | PIN, DOWEL | 2 | |
| 14 | 6AW-42724-00-00 | GROMMET | 1 | |
| 15 | 6AW-11371-10-00 | PRESSURE CONTROL VALVE ASSY | 1 | |
| 16 | 93210-347A1-00 | .O-RING | 1 | |
| 17 | 93210-28543-00 | .O-RING | 1 | |
| 18 | 69J-12233-00-00 | PLATE, GUIDE STOPPER 1 | 1 | |
| 19 | 90387-06037-00 | COLLAR | 1 | |
| 20 | 97095-06020-00 | BOLT | 1 | |
| 21 | 92995-06600-00 | WASHER | 1 | |
| 22 | 6AW-11197-00-00 | PLUG, BLIND | 1 | |
| 23 | 93210-19758-00 | O-RING | 1 | |
| 24 | 6AW-1132S-00-00 | ANODE 7 | 1 | |
| 25 | 98780-05550-00 | SCREW, FLAT HEAD | 1 | |
| 26 | 6AW-1132T-00-00 | ANODE 8 | 1 | |
| 27 | 6AW-1132U-00-00 | ANODE 9 | 1 | |
| 28 | 98780-05550-00 | SCREW, FLAT HEAD | 2 | |
| 29 | 63P-11325-11-00 | .ANODE | 1 | |
| 30 | 90151-06M02-00 | SCREW, COUNTERSUNK | 1 | |
| 31 | 6AW-41131-00-CA | MANIFOLD, EXT. 1 | 1 | |
| 32 | 93608-16M16-00 | PIN, DOWEL | 2 | |
| 33 | 6AW-41132-00-9S | MANIFOLD, EXHAUST | 1 | |
| 34 | 6AW-41134-01-00 | .GASKET, EXHAUST MANIFOLD | 1 | |
| 35 | 90119-08117-00 | BOLT, WITH WASHER | 4 | |
| 36 | 6AW-41138-00-00 | .SEAL, EXT. 1 | 1 | |
| 37 | 6AW-41135-00-00 | .GASKET, EXHAUST MANIFOLD | 1 | |
| 38 | 6AW-45181-00-9S | PLATE | 1 | |
| 39 | 6AW-41136-00-00 | .GASKET, EXHAUST MANIFOLD 4 | 1 | |
| 40 | 6AW-14711-00-9S | MUFFLER 1 | 1 | |
| 41 | 97575-08535-00 | BOLT, WITH WASHER | 12 | |
| 42 | 93606-19M23-00 | PIN, DOWEL | 2 | |
| 43 | 6AW-45127-00-00 | .SEAL | 1 | |
| 44 | 69J-45123-00-00 | .GASKET, MUFFLER | 1 | |
| 45 | 6AW-45111-00-8D | CASING, UPPER | 1 | |
| 46 | 6AW-45113-00-00 | .GASKET, UPPER CASING | 1 | |
| 47 | 90119-10007-00 | BOLT, WITH WASHER | 8 | |
| 48 | 93608-16M16-00 | PIN, DOWEL | 2 | |
| 49 | 69J-15316-00-00 | DAMPER 1 | 1 | |
| 50 | 69J-45152-10-00 | COVER, UPPER CASING 2 | 1 | |
| 51 | 97095-06014-00 | BOLT | 2 | |
| 52 | 6AW-45318-00-00 | BUSHING, DRIVE SHAFT | 1 | |
| 53 | 93420-38091-00 | CIRCLIP | 1 | |
| 54 | 95895-06010-00 | BOLT, FLANGE | 1 | |
| 55 | 6AW-45211-00-8D | EXTENSION | 1 | U(30.1") |
| 56 | 6AW-45213-00-9S | COVER, EXTENSION | 1 | U(30.1") |
| 57 | 6AW-4581L-00-00 | GASKET, PLATE | 1 | U(30.1") |
| 58 | 97575-06520-00 | BOLT, WITH WASHER | 4 | U(30.1") |
| 59 | 6AW-44366-00-00 | DAMPER, WATER SEAL 2 | 1 | U(30.1") |
| 60 | 93608-12M05-00 | PIN, DOWEL | 2 | U(30.1") |
| 61 | 6AW-45159-00-00 | DAMPER | 1 | U(30.1") |

Part Notes

FL350AET1U 0410 / UPPER CASING

| PART NUMBER | | NOTE TEXT |
|-----------------|---|--|
| 6AW-11371-10-00 |  | OEM: If you are replacing damaged exhaust components on a 3.1L V6 Fourstroke, two kits have been developed to make choosing and ordering the correct parts easier. Ordering either MAR-EXHKT-03-00 (EXH KIT F200-225 for 2002-2003 models) or MAR-EXHKT-04-00 (EXH KIT F200-250 2004 models and up) will get you everything needed to rebuild the entire exhaust system. |
| 69J-45123-00-00 |  | OEM: If you are replacing damaged exhaust components on a 3.1L V6 Fourstroke, two kits have been developed to make choosing and ordering the correct parts easier. Ordering either MAR-EXHKT-03-00 (EXH KIT F200-225 for 2002-2003 models) or MAR-EXHKT-04-00 (EXH KIT F200-250 2004 models and up) will get you everything needed to rebuild the entire exhaust system. |



6AW4110-K320


Part List

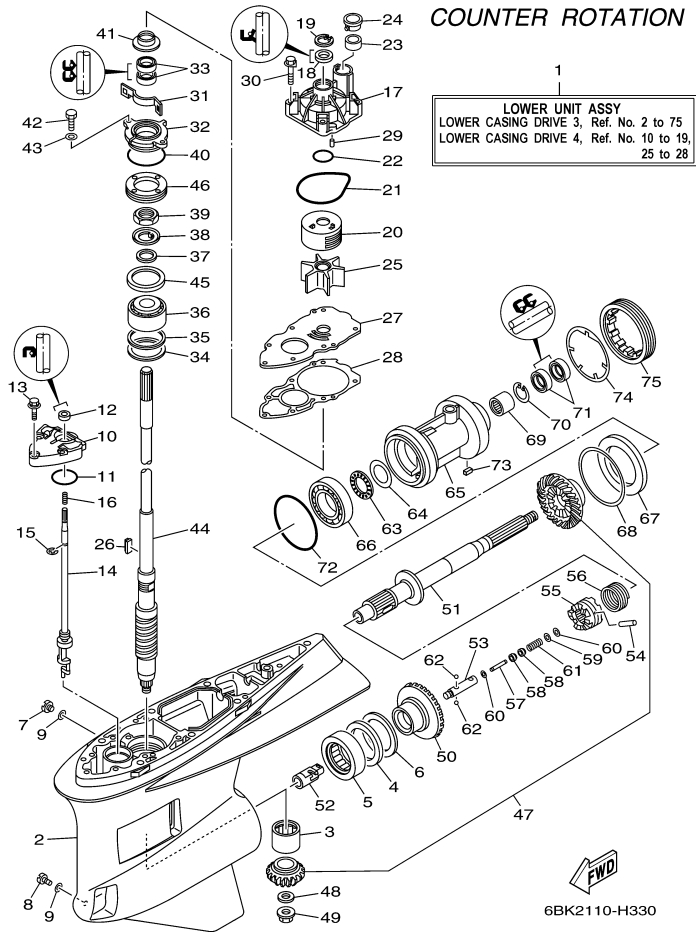
FL350AET1U 0410 / OIL PAN

| REF - NO | PART NUMBER | PART NAME | QUANTITY | REMARKS |
|----------|-----------------|----------------------|----------|---------|
| 1 | 6AW-15312-00-00 | .GASKET, OIL PAN | 1 | |
| 2 | 6AW-15311-00-CA | OIL PAN | 1 | |
| 3 | 97575-08570-00 | BOLT, WITH WASHER | 13 | |
| 4 | 93608-16M16-00 | PIN, DOWEL | 2 | |
| 5 | 90340-14M06-00 | PLUG, STRAIGHT SCREW | 1 | |
| 6 | 90430-14M09-00 | .GASKET | 1 | |
| 7 | 6AW-13411-00-00 | STRAINER, OIL | 1 | |
| 8 | 90387-06263-00 | .COLLAR | 3 | |
| 9 | 6AW-13415-00-00 | .SEAL, OIL STRAINER | 1 | |
| 10 | 95812-06025-00 | BOLT, FLANGE | 3 | |
| 11 | 6AW-13300-00-00 | OIL PUMP ASSY | 1 | |
| 12 | 69J-13338-00-00 | .OIL SEAL | 1 | |
| 13 | 6AW-13119-00-00 | .OIL SEAL | 1 | |
| 14 | 6AW-13631-00-00 | .OIL SEAL | 2 | |
| 15 | 69J-11355-00-00 | .SEAL, CYLINDER 1 | 1 | |
| 16 | 97075-06050-00 | BOLT | 4 | |
| 17 | 92995-06600-00 | WASHER | 4 | |
| 18 | 93210-26658-00 | .O-RING | 2 | |
| 19 | 6AW-15362-00-00 | PLUG, OIL LEVEL | 1 | |
| 20 | 6AW-15377-00-00 | GUIDE, INLET | 1 | |
| 21 | 93210-19MJ3-00 | .O-RING | 1 | |
| 22 | 95875-06016-00 | BOLT, FLANGE | 2 | |
| 23 | 6AW-13490-01-00 | RELIEF VALVE ASSY | 1 | |

Part Notes

FL350AET1U 0410 / OIL PAN

| PART NUMBER | NOTE TEXT |
|---|---|
| 90430-14M09-00  | OEM: This part number is among the Top 100 Most Popular Marine Maintenance Parts as of February 2013. |



Part List


FL350AET1U 0410 / LOWER CASING DRIVE 3

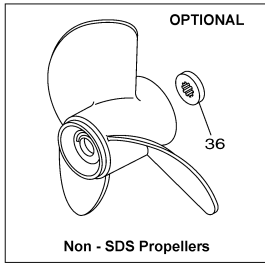
| REF - NO | PART NUMBER | PART NAME | QUANTITY | REMARKS |
|----------------|-----------------|------------------------------|----------|-------------|
| 1 | 6AX-45300-30-8D | LOWER UNIT ASSY | 1 | U(30.1"),LH |
| 2 | 6AW-45311-01-8D | CASING, LOWER | 1 | |
| 3 | 93311-93590-00 | BEARING | 1 | |
| 4 | 93340-67011-00 | BEARING | 1 | |
| 5 | 93390-00031-00 | BEARING | 1 | |
| 6 | 6AW-45567-00-00 | SHIM (T:2.00MM) | 1 | UR |
| 6 | 6AW-45567-10-00 | SHIM (T:2.03MM) | 1 | UR |
| 6 | 6AW-45567-50-00 | SHIM (T:2.15MM) | 1 | UR |
| 6 | 6AW-45567-30-00 | SHIM (T:2.09MM) | 1 | UR |
| 6 | 6AW-45567-40-00 | SHIM (T:2.12MM) | 1 | UR |
| 6 | 6AW-45567-20-00 | SHIM (T:2.06MM) | 1 | UR |
| 7 | 90340-08002-00 | PLUG, STRAIGHT SCREW | 1 | |
| 8 | 688-45341-10-00 | PLUG, DRAIN | 1 | |
| 9 | 90430-08020-00 | .GASKET | 2 | |
| 10 | 6AW-45321-00-00 | PLATE | 1 | |
| 11 | 93210-48214-00 | .O-RING | 1 | |
| 12 | 93101-12M70-00 | .OIL SEAL | 1 | |
| 13 | 90119-08M26-00 | BOLT, WITH WASHER | 3 | |
| 14 | 6AX-44150-00-00 | SHIFT CAM ASSY | 1 | |
| 15 | 99002-10600-00 | CLIP | 1 | |
| 16 | 90501-127J4-00 | SPRING, COMPRESSION | 1 | |
| 17 | 6AW-44311-00-00 | HOUSING, WATER PUMP | 1 | |
| 18 | 93109-24001-00 | .OIL SEAL | 1 | |
| 19 | 93420-35085-00 | CIRCLIP | 1 | |
| 20 | 6AW-44322-00-00 | .INSERT, CARTRIDGE | 1 | |
| 21 | 93210-94003-00 | .O-RING | 1 | |
| 22 | 93210-37160-00 | .O-RING | 1 | |
| 23 | 6AW-44365-00-00 | .DAMPER, WATER SEAL 1 | 1 | |
| 24 | 6AW-44312-00-00 | COVER, WATER PUMP HOUSING | 1 | |
| 25 | 6AW-44352-00-00 | .IMPELLER | 1 | |
| 26 | 6AW-44336-00-00 | .KEY | 1 | |
| 27 | 6AW-44323-00-00 | .OUTER PLATE, CARTRIDGE | 1 | |
| 28 | 6AW-44315-00-00 | .GASKET, WATER PUMP | 1 | |
| 29 | 93606-12019-00 | PIN, DOWEL | 2 | |
| 30 | 90119-08M14-00 | .BOLT, WITH WASHER | 4 | |
| 31 | 6AW-45723-00-00 | PLATE, SEAL | 1 | |
| 32 | 6AW-45335-00-CA | HOUSING, OIL SEAL | 1 | |
| 33 | 93101-28004-00 | .OIL SEAL | 2 | |
| 34 | 90201-68008-00 | WASHER, PLATE | 1 | |
| 35 | 6AW-45587-00-00 | SHIM (T:0.10MM) | 1 | UR |
| 35 | 6AW-45587-10-00 | SHIM (T:0.12MM) | 1 | UR |
| 35 | 6AW-45587-20-00 | SHIM (T:0.15MM) | 1 | UR |
| 35 | 6AW-45587-60-00 | SHIM (T:0.50MM) | 1 | UR |
| 35 | 6AW-45587-40-00 | SHIM (T:0.30MM) | 1 | UR |
| 35 | 6AW-45587-50-00 | SHIM (T:0.40MM) | 1 | UR |
| 35 | 6AW-45587-30-00 | SHIM (T:0.18MM) | 1 | UR |
| 36 | 93399-99962-00 | BEARING | 1 | |
| 37 | 90201-301U7-00 | WASHER, PLATE | 1 | |
| 38 | 90214-30003-00 | WASHER, CLAW | 1 | |
| 39 | 90170-30M18-00 | NUT | 1 | |
| 40 | 93210-69MG6-00 | .O-RING | 1 | |
| 41 | 6AW-45344-00-00 | COVER, OIL SEAL | 1 | |
| 42 | 97095-08020-00 | BOLT | 2 | |
| 43 | 92995-08600-00 | WASHER | 2 | |
| 44 | 6AW-45501-10-00 | DRIVE SHAFT COMP. | 1 | U(30.1") |
| 45 | 6T5-45539-00-00 | SPACER 2 | 1 | |
| 46 | 6AW-45244-00-00 | NUT | 1 | |
| 47 | 6AX-45550-00-00 | GEAR SET | 1 | |
| 48 | 90201-18023-00 | WASHER, PLATE | 1 | |
| 49 | 90179-18009-00 | NUT | 1 | |
| 50 | 6AX-45560-00-00 | GEAR 1 (26T) | 1 | |
| 51 | 6AX-45611-00-00 | SHAFT, PROPELLER | 1 | |
| 52 | 6AX-45641-00-00 | SHIFTER | 1 | |
| 53 | 61A-45634-01-00 | SLIDE, SHIFT | 1 | |

| | | | | |
|----|-----------------|---------------------|---|----|
| 54 | 6AW-45632-00-00 | PIN, CROSS | 1 | |
| 55 | 6AW-45631-00-00 | CLUTCH, DOG | 1 | |
| 56 | 6AW-45633-00-00 | RING, CROSS PIN | 1 | |
| 57 | 6H1-45668-00-00 | SHAFT, FREE 1 | 1 | |
| 58 | 61A-45635-00-00 | PLUNGER, SHIFT | 2 | |
| 59 | 90201-02M00-00 | WASHER, PLATE | 1 | |
| 60 | 90183-02M03-00 | NUT, SPRING | 2 | |
| 61 | 90501-10M77-00 | SPRING, COMPRESSION | 1 | |
| 62 | 93501-04011-00 | BALL | 2 | |
| 63 | 93341-440U5-00 | BEARING | 1 | |
| 64 | 6K1-45578-01-00 | SHIM (T:0.10MM) | 1 | UR |
| 64 | 6K1-45578-10-00 | SHIM (T:0.12MM) | 1 | UR |
| 64 | 6K1-45578-20-00 | SHIM (T:0.15MM) | 1 | UR |
| 64 | 6K1-45578-60-00 | SHIM (T:0.50MM) | 1 | UR |
| 64 | 6K1-45578-40-00 | SHIM (T:0.30MM) | 1 | UR |
| 64 | 6K1-45578-50-00 | SHIM (T:0.40MM) | 1 | UR |
| 64 | 6K1-45578-30-00 | SHIM (T:0.18MM) | 1 | UR |
| 65 | 6AX-45332-00-00 | HOUSING, BEARING | 1 | |
| 66 | 93332-000A2-00 | BEARING | 1 | |
| 67 | 6AW-45576-00-00 | WASHER, THRUST 2 | 1 | |
| 68 | 6AW-45577-00-00 | SHIM (T:0.10MM) | 1 | UR |
| 68 | 6AW-45577-10-00 | SHIM (T:0.12MM) | 1 | UR |
| 68 | 6AW-45577-20-00 | SHIM (T:0.15MM) | 1 | UR |
| 68 | 6AW-45577-60-00 | SHIM (T:0.50MM) | 1 | UR |
| 68 | 6AW-45577-40-00 | SHIM (T:0.30MM) | 1 | UR |
| 68 | 6AW-45577-50-00 | SHIM (T:0.40MM) | 1 | UR |
| 68 | 6AW-45577-30-00 | SHIM (T:0.18MM) | 1 | UR |
| 69 | 93311-63591-00 | BEARING | 1 | |
| 70 | 99009-47500-00 | CIRCLIP | 1 | |
| 71 | 93101-35018-00 | .OIL SEAL | 2 | |
| 72 | 93211-10232-00 | .O-RING | 1 | |
| 73 | 90282-05008-00 | KEY, STRAIGHT | 1 | |
| 74 | 6AW-45383-00-00 | WASHER, CLAW | 1 | |
| 75 | 6AW-45384-00-00 | NUT | 1 | |

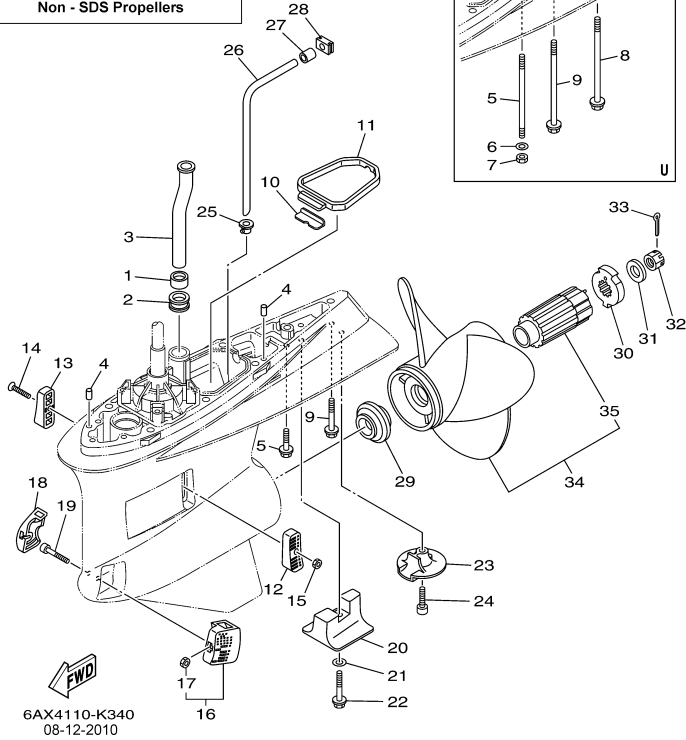
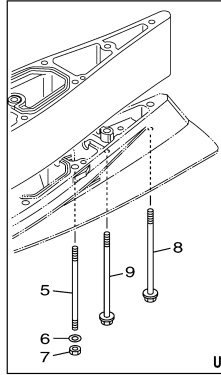
Part Notes

FL350AET1U 0410 / LOWER CASING DRIVE 3

| PART NUMBER | | NOTE TEXT |
|----------------|---|---|
| 90430-08020-00 |  | OEM: This part number is among the Top 100 Most Popular Marine Maintenance Parts as of February 2013. |



COUNTER ROTATION




Part List

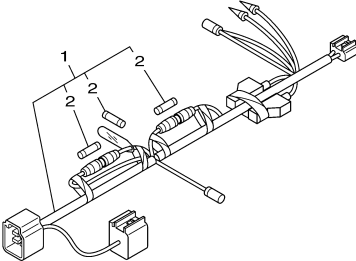
FL350AET1U 0410 / LOWER CASING DRIVE 4

| REF - NO | PART NUMBER | PART NAME | QUANTITY | REMARKS |
|----------|-----------------|-------------------------------|----------|---------------------|
| 1 | 6AW-44365-00-00 | .DAMPER, WATER SEAL 1 | 1 | |
| 2 | 6AW-44366-00-00 | DAMPER, WATER SEAL 2 | 1 | |
| 3 | 6AW-44361-10-00 | TUBE, WATER 1 | 1 | U(30.1") |
| 4 | 93608-12M05-00 | PIN, DOWEL | 2 | |
| 5 | 90116-10041-00 | BOLT, STUD | 6 | U(30.1") |
| 6 | 90201-10048-00 | WASHER, PLATE | 6 | U(30.1") |
| 7 | 90170-10009-00 | NUT | 6 | U(30.1") |
| 8 | 90119-10008-00 | BOLT, WITH WASHER | 1 | U(30.1") |
| 9 | 90119-10009-00 | BOLT, WITH WASHER | 1 | U(30.1") |
| 10 | 61A-45376-00-00 | GUIDE, SEAL DAMPER | 1 | |
| 11 | 6AW-45375-00-00 | DAMPER, SEAL | 1 | |
| 12 | 6AW-45214-00-00 | COVER, WATER INLET 1 | 1 | |
| 13 | 6AW-45215-00-00 | COVER, WATER INLET 2 | 1 | |
| 14 | 90152-05003-00 | SCREW, COUNTERSUNK | 1 | |
| 15 | 90185-05002-00 | NUT, NYLON | 1 | |
| 16 | 6AW-45224-00-00 | COVER, WATER INLET 3 | 1 | |
| 17 | 90185-05002-00 | .NUT, NYLON | 1 | |
| 18 | 6AW-45225-00-00 | COVER, WATER INLET 4 | 1 | |
| 19 | 90110-05050-00 | BOLT, HEXAGON SOCKET HEAD | 1 | |
| 20 | 6AW-45373-00-00 | ANODE | 1 | |
| 21 | 92990-10300-00 | WASHER | 1 | |
| 22 | 90105-10257-00 | BOLT, FLANGE | 1 | |
| 23 | 6AW-45619-00-00 | CAP | 1 | |
| 24 | 90110-10018-00 | BOLT, HEXAGON SOCKET HEAD | 1 | |
| 25 | 6AW-44367-00-00 | DAMPER, WATER SEAL 3 | 1 | |
| 26 | 6AW-44362-00-00 | TUBE, WATER 2 | 1 | |
| 27 | 6AW-44375-00-00 | GROMMET, WATER TUBE 1 | 1 | |
| 28 | 6AW-44376-00-00 | GROMMET, WATER TUBE 2 | 1 | |
| 29 | 6AW-45987-00-00 | SPACER 1 | 1 | |
| 30 | 6AW-45997-10-00 | SPACER 2 | 1 | |
| 31 | 90201-19M01-00 | WASHER, PLATE | 1 | |
| 32 | 90171-18M04-00 | NUT, CASTLE | 1 | |
| 33 | 91490-40030-00 | PIN. COTTER | 1 | |
| 34 | 6AX-45970-10-00 | PROPELLER (3X16-1/4"X15"-XL) | 1 | UR SWS XL SDS PROP. |
| 34 | 6AX-45972-10-00 | PROPELLER (3X16-1/4"X17"-XL) | 1 | UR SWS XL SDS PROP. |
| 34 | 6AX-45978-10-00 | PROPELLER (3X15-1/4"X23"-XL) | 1 | UR SWS XL SDS PROP. |
| 34 | 6AX-45976-10-00 | PROPELLER (3X15-1/4"X21"-XL) | 1 | UR SWS XL SDS PROP. |
| 34 | 6AX-45974-10-00 | PROPELLER (3X15-1/2"X19"-XL) | 1 | UR SWS XL SDS PROP. |
| 35 | 6AW-45C80-00-00 | .PROPELLER DAMPER RUBBER ASSY | 1 | |
| 36 | 6AW-45997-00-00 | SPACER 2 | 1 | UR NON-SDS PROP |

Part Notes

FL350AET1U 0410 / LOWER CASING DRIVE 4

| PART NUMBER | NOTE TEXT |
|--|---|
| 91490-40030-00  | OEM: This part number is among the Top 100 Most Popular Marine Maintenance Parts as of February 2013. |

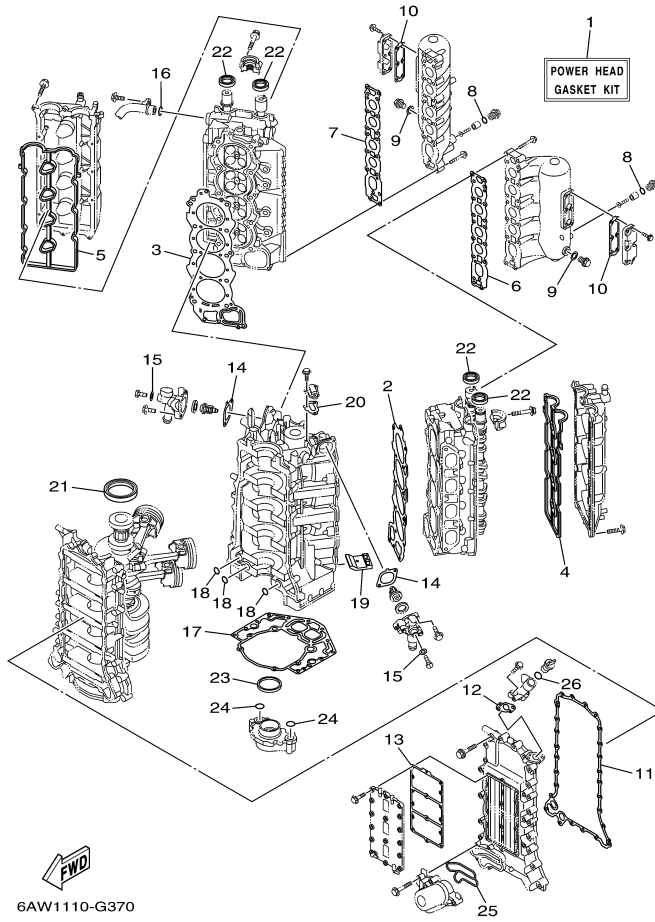


6AX4110-K350

Part List

FL350AET1U 0410 / OPTIONAL PARTS

| REF - NO | PART NUMBER | PART NAME | QUANTITY | REMARKS |
|----------------|-----------------|----------------|----------|---------|
| 1 | 6Y8-81315-00-00 | LEAD WIRE ASSY | 1 | |
| 2 | 6TA-82151-00-00 | .FUSE(5A) | 3 | |

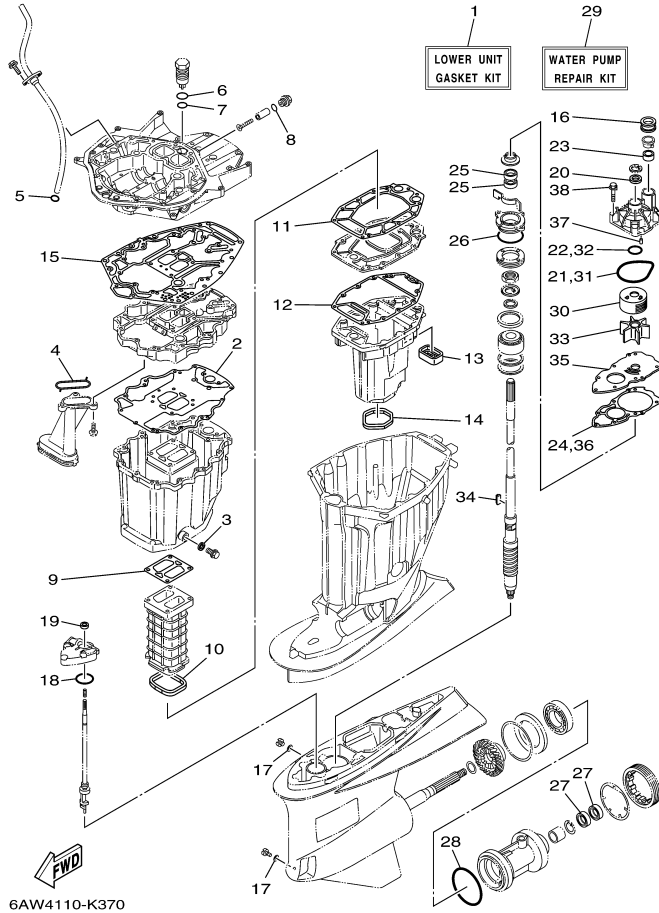


6AW1110-G370

Part List

FL350AET1U 0410 / REPAIR KIT 1

| REF - NO | PART NUMBER | PART NAME | QUANTITY | REMARKS |
|----------------|-----------------|-------------------------------|----------|---------|
| 1 | 6AW-W0001-00-00 | POWER HEAD GASKET KIT | 1 | |
| 2 | 6AW-11181-00-00 | .GASKET, CYLINDER HEAD 1 | 1 | |
| 3 | 6AW-11182-00-00 | .GASKET, CYLINDER HEAD 2 | 1 | |
| 4 | 6AW-11193-00-00 | .GASKET, HEAD COVER 1 | 1 | |
| 5 | 6AW-11194-00-00 | .GASKET, HEAD COVER 2 | 1 | |
| 6 | 6AW-14613-00-00 | .GASKET, EXHAUST PIPE | 1 | |
| 7 | 6AW-14623-00-00 | .GASKET, EXHAUST PIPE | 1 | |
| 8 | 93210-19758-00 | .O-RING | 2 | |
| 9 | 90430-18130-00 | .GASKET | 2 | |
| 10 | 6AW-11195-00-00 | .GASKET | 2 | |
| 11 | 6AW-15451-00-00 | .GASKET, CRANKCASE COVER 1 | 1 | |
| 12 | 6AW-15364-00-00 | .GASKET, OIL PLUG | 1 | |
| 13 | 6AW-15461-00-00 | .GASKET, CRANKCASE COVER 2 | 1 | |
| 14 | 6AW-12427-00-00 | .GASKET, HOUSING COVER 1 | 2 | |
| 15 | 90430-05002-00 | .GASKET | 2 | |
| 16 | 93210-207A0-00 | .O-RING | 1 | |
| 17 | 6AW-11351-00-00 | .GASKET, CYLINDER | 1 | |
| 18 | 93210-26658-00 | .O-RING | 3 | |
| 19 | 6AW-14664-00-00 | .GROMMET, WATER SHUT | 2 | |
| 20 | 6AW-11381-00-00 | .GASKET 1 | 1 | |
| 21 | 93102-85004-00 | .OIL SEAL | 1 | |
| 22 | 93102-38008-00 | .OIL SEAL | 4 | |
| 23 | 69J-11355-00-00 | .SEAL, CYLINDER 1 | 1 | |
| 24 | 93210-26658-00 | .O-RING | 2 | |
| 25 | 6AW-13477-00-00 | .GASKET | 1 | |
| 26 | 93210-24M79-00 | .O-RING | 1 | |



6AW4110-K370




Part List

FL350AET1U 0410 / REPAIR KIT 2

| REF - NO | PART NUMBER | PART NAME | QUANTITY | REMARKS |
|----------|-----------------|-----------------------------|----------|---------|
| 1 | 6AW-W0001-20-00 | LOWER UNIT GASKET KIT | 1 | |
| 2 | 6AW-15312-00-00 | .GASKET, OIL PAN | 1 | |
| 3 | 90430-14M09-00 | .GASKET | 1 | |
| 4 | 6AW-13415-00-00 | .SEAL, OIL STRAINER | 1 | |
| 5 | 93210-19MJ3-00 | .O-RING | 1 | |
| 6 | 93210-347A1-00 | .O-RING | 1 | |
| 7 | 93210-28543-00 | .O-RING | 1 | |
| 8 | 93210-19758-00 | .O-RING | 1 | |
| 9 | 6AW-41134-01-00 | .GASKET, EXHAUST MANIFOLD | 1 | |
| 10 | 6AW-41138-00-00 | .SEAL, EXT 1 | 1 | |
| 11 | 6AW-41135-00-00 | .GASKET, EXHAUST MANIFOLD | 1 | |
| 12 | 6AW-41136-00-00 | .GASKET, EXHAUST MANIFOLD 4 | 1 | |
| 13 | 6AW-45127-00-00 | .SEAL | 1 | |
| 14 | 69J-45123-00-00 | .GASKET, MUFFLER | 1 | |
| 15 | 6AW-45113-00-00 | .GASKET, UPPER CASING | 1 | |
| 16 | 6AW-44366-00-00 | .DAMPER, WATER SEAL 2 | 1 | |
| 17 | 90430-08020-00 | .GASKET | 2 | |
| 18 | 93210-48214-00 | .O-RING | 1 | |
| 19 | 93101-12M70-00 | .OIL SEAL | 1 | |
| 20 | 93109-24001-00 | .OIL SEAL | 1 | |
| 21 | 93210-94003-00 | .O-RING | 1 | |
| 22 | 93210-37160-00 | .O-RING | 1 | |
| 23 | 6AW-44365-00-00 | .DAMPER, WATER SEAL 1 | 1 | |
| 24 | 6AW-44315-00-00 | .GASKET, WATER PUMP | 1 | |
| 25 | 93101-28004-00 | .OIL SEAL | 2 | |
| 26 | 93210-69MG6-00 | .O-RING | 1 | |
| 27 | 93101-35018-00 | .OIL SEAL | 2 | |
| 28 | 93211-10232-00 | .O-RING | 1 | |
| 29 | 6AW-W0078-00-00 | WATER PUMP REPAIR KIT | 1 | |
| 30 | 6AW-44322-00-00 | .INSERT, CARTRIDGE | 1 | |
| 31 | 93210-94003-00 | .O-RING | 1 | |
| 32 | 93210-37160-00 | .O-RING | 1 | |
| 33 | 6AW-44352-00-00 | .IMPELLER | 1 | |
| 34 | 6AW-44336-00-00 | .KEY | 1 | |
| 35 | 6AW-44323-00-00 | .OUTER PLATE, CARTRIDGE | 1 | |
| 36 | 6AW-44315-00-00 | .GASKET, WATER PUMP | 1 | |
| 37 | 93606-12019-00 | .PIN, DOWEL | 2 | |
| 38 | 90119-08M14-00 | .BOLT, WITH WASHER | 4 | |

Part Notes

FL350AET1U 0410 / REPAIR KIT 2

| PART NUMBER | NOTE TEXT |
|---|--|
| 90430-14M09-00  | OEM: This part number is among the Top 100 Most Popular Marine Maintenance Parts as of February 2013. |
| 69J-45123-00-00  | OEM: If you are replacing damaged exhaust components on a 3.1L V6 Fourstroke, two kits have been developed to make choosing and ordering the correct parts easier. Ordering either MAR-EXHKT-03-00 (EXH KIT F200-225 for 2002-2003 models) or MAR-EXHKT-04-00 (EXH KIT F200-250 2004 models and up) will get you everything needed to rebuild the entire exhaust system. |
| 90430-08020-00  | OEM: This part number is among the Top 100 Most Popular Marine Maintenance Parts as of February 2013. |