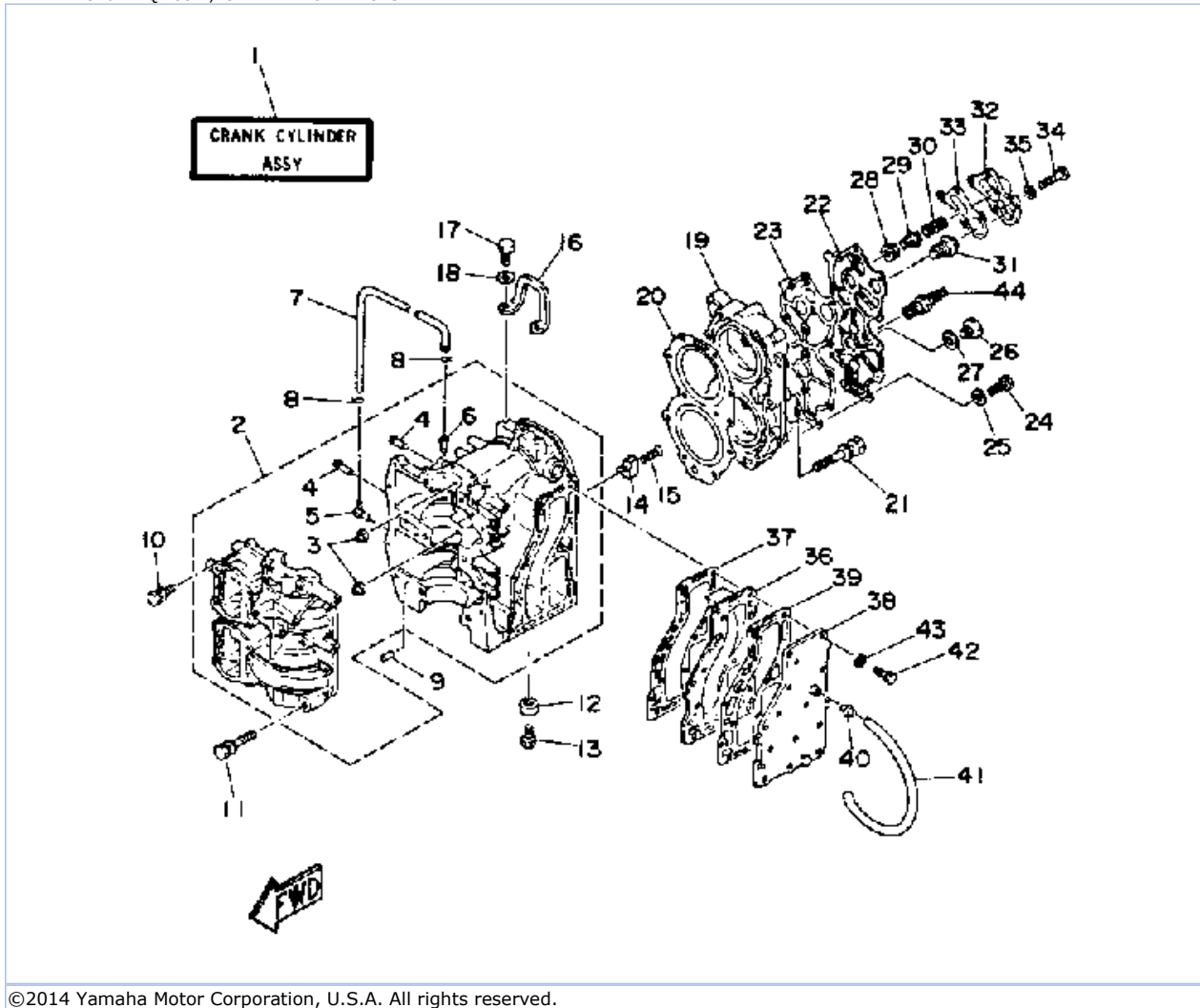


C40ELRQ 1992 / CYLINDER CRANKCASE



©2014 Yamaha Motor Corporation, U.S.A. All rights reserved.


## Part List



C40ELRQ 1992 / CYLINDER CRANKCASE

REF - NO	PART NUMBER	PART NAME	QUANTITY	REMARKS
1	6R6-W0090-00-EJ	CRANK-CYLINDER.ASSEMBLY. (REF. #2~42 & GRID A-7, REF. #1~23)	1	
2	6E9-15100-00-94	CRANKCASE ASSEMBLY	1	
3	663-11518-01-00	.LOCK BEARING	2	
4	676-14485-00-00	.PIPE, JOINT	2	
5	650-11370-00-00	.CHECK VALVE ASSY	1	
6	624-14485-00-00	.PIPE, JOINT	1	
7	676-24312-00-00	PIPE 2	1	
8	90467-06016-00	CLIP	2	
9	93608-12063-00	PIN, DOWEL	2	
10	90119-06M12-00	BOLT, WITH WASHER	9	
11	90119-10M22-00	BOLT, WITH WASHER	6	
12	676-45251-00-00	ANODE	1	
13	97395-06016-00	BOLT, HEX	1	
14	676-11325-00-00	ANODE	1	
15	98780-06025-00	SCREW, FLAT HEAD	1	
16	676-11119-00-00	HANGER, ENGINE	1	
17	97313-08020-00	BOLT, HEXAGON	2	
18	92990-08600-00	..WASHER, PLATE	2	
19	6E9-11111-00-94	HEAD, CYLINDER 1	1	
20	676-11181-A0-00	GASKET, CYLINDER HEAD 1	1	
21	90119-08M20-00	BOLT, WITH WASHER	11	
22	6E9-11191-00-9M	COVER, CYLINDER HEAD 1	1	
23	(6E9-11193-00-A0)	GASKET, HD.COVER 1	1	
24	97313-06020-00	BOLT, HEXAGON	11	
25	92990-06600-00	WASHER, PLATE	11	
26	90340-14036-00	PLUG, STRAIGHT SCREW	1	
27	90430-14115-00	.GASKET	1	
28	90480-18065-00	GROMMET	1	
29	663-12416-00-00	VALVE, PRESSURE CONTROL	1	
30	90501-14M02-00	SPRING, COMPRESSION	1	
31	6F5-12411-02-00	THERMOSTAT	1	
32	6E9-12413-00-9M	COVER, THERMOSTAT	1	
33	6E9-12414-A0-00	GASKET, COVER	1	
34	97313-06030-00	BOLT	4	
35	92990-06600-00	WASHER, PLATE	4	
36	676-41111-01-9M	INNER COVER, EXHAUST	1	
37	676-41112-A0-00	GASKET, EXHAUST INNER COVER	1	
38	676-41113-02-9M	OUTER COVER, EXHAUST	1	
39	6E9-41114-A0-00	GASKET, EXHAUST OUTER COVER	1	
40	652-24461-00-00	PIPE, JOINT 4	1	
41	6A0-24312-00-00	PIPE 2	1	
42	97313-06025-00	BOLT	16	
43	92990-06600-00	WASHER, PLATE	16	
44	NGK-B8HS0-00-00	PLUG, SPARK (NGK B8HS)	2	

## Part Notes

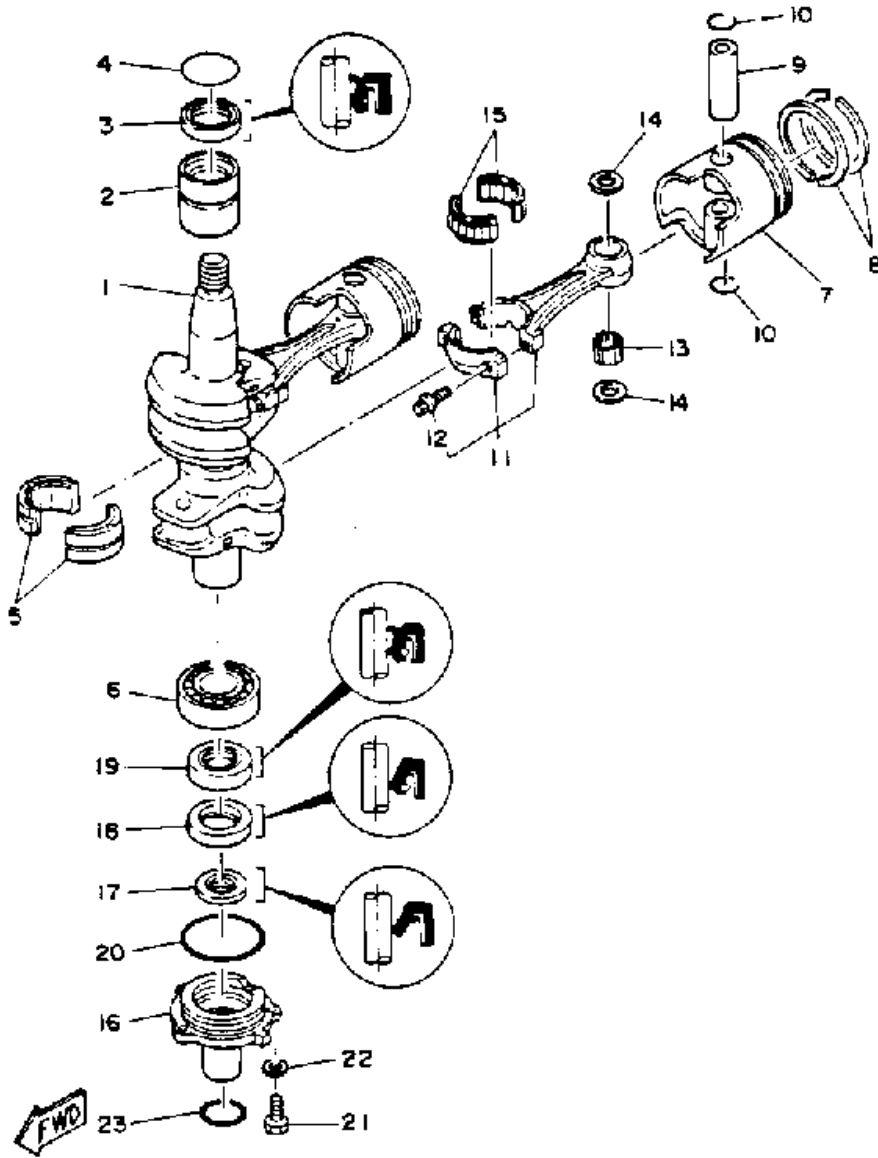
C40ELRQ 1992 / CYLINDER CRANKCASE

PART NUMBER	NOTE TEXT
92990-06600-00 	OEM: This part number is among the Top 100 Most Popular Marine Maintenance Parts as of March 2014.

92990-06600-00		OEM: This part number is among the Top 100 Most Popular Marine Maintenance Parts as of March 2014.
92990-06600-00		OEM: This part number is among the Top 100 Most Popular Marine Maintenance Parts as of March 2014.

©2014 Yamaha Motor Corporation, U.S.A. All rights reserved.

C40ELRQ 1992 / CRANKSHAFT PISTON



©2014 Yamaha Motor Corporation, U.S.A. All rights reserved.



## Part List

C40ELRQ 1992 / CRANKSHAFT PISTON

REF - NO	PART NUMBER	PART NAME	QUANTITY	REMARKS
1	676-11411-00-00	CRANKSHAFT	1	
2	93311-632U2-00	BEARING, CYLINDRICAL	1	
3	93102-32M07-00	OIL SEAL	1	
4	93210-42159-00	.O-RING	1	
5	93311-832U4-00	BEARING	1	
6	93306-206U4-00	BEARING	1	
7	6E9-11636-00-00	PISTON (0.50MM O/S)	2	
7	6E9-11631-00-96	PISTON (STD)	2	
8	679-11610-20-00	PISTON RING SET (0.50MM O/S)	2	
8	679-11610-00-00	PISTON RING SET (STD)	2	
9	676-11633-00-00	PIN, PISTON	2	
10	688-11634-00-00	CLIP, PISTON PIN	4	
11	6E9-11650-01-00	CONNECTING ROD ASSEMBLY	2	
12	90109-08M61-00	.BOLT	2	
13	93603-21111-00	PIN, DOWEL	56	
14	90201-20417-00	WASHER, PLATE	4	
15	93310-730V6-00	BEARING, CYLINDRICAL	2	
16	6E9-15396-01-5B	HOUSING, OIL SEAL	1	
17	93101-16M36-00	OIL SEAL	1	
18	93101-28M19-00	OIL SEAL	1	
19	93102-28M08-00	OIL SEAL	1	
20	93210-62269-00	O-RING	1	
21	97313-06016-00	BOLT, HEXAGON	3	
22	92990-06600-00	WASHER, PLATE	3	
23	93210-22M02-00	O-RING	1	

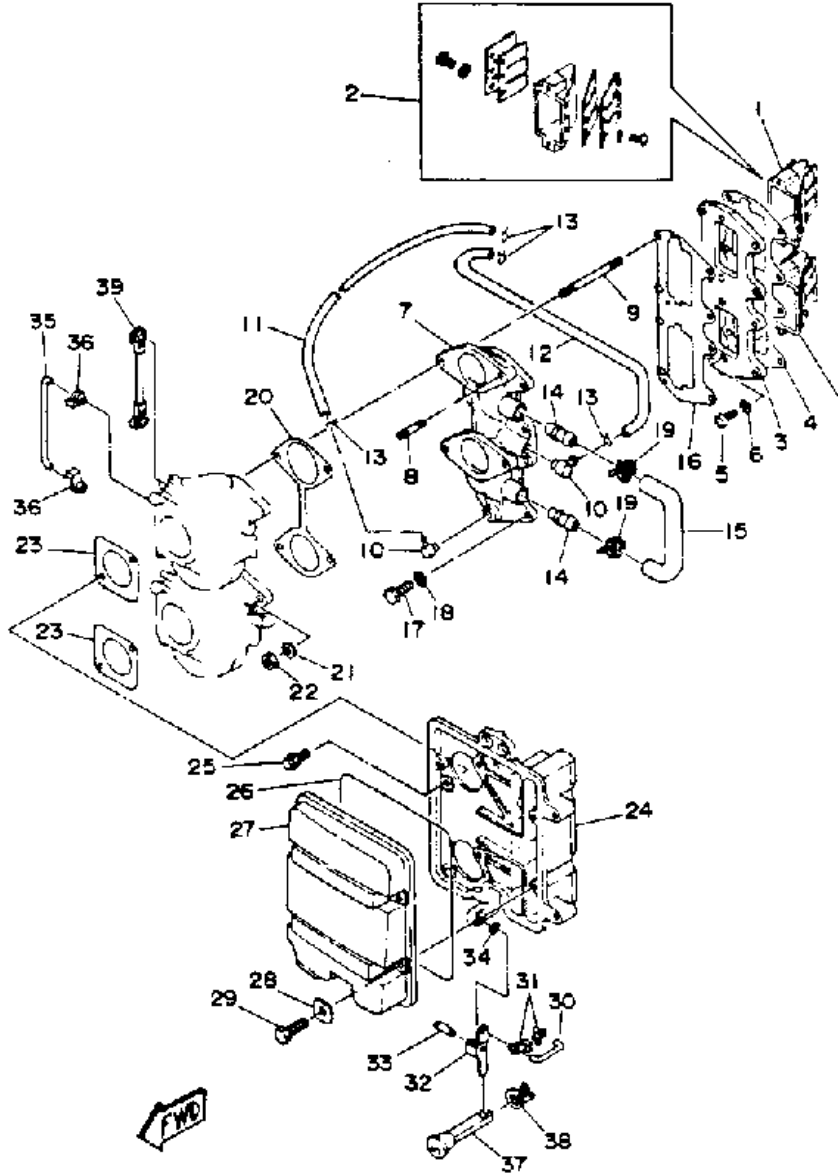
## Part Notes

C40ELRQ 1992 / CRANKSHAFT PISTON

PART NUMBER		NOTE TEXT
93603-21111-00		OEM: This part number is among the Top 100 Most Popular Marine Maintenance Parts as of March 2014.
92990-06600-00		OEM: This part number is among the Top 100 Most Popular Marine Maintenance Parts as of March 2014.

©2014 Yamaha Motor Corporation, U.S.A. All rights reserved.

C40ELRQ 1992 / INTAKE



©2014 Yamaha Motor Corporation, U.S.A. All rights reserved.



## Part List

C40ELRQ 1992 / INTAKE

REF - NO	PART NUMBER	PART NAME	QUANTITY	REMARKS
1	6A0-13610-00-00	REED VALVE ASSEMBLY	2	
2	676-W0004-00-00	.REED SET	1	
3	676-13642-00-94	MANIFOLD 2	1	
4	676-13646-A0-00	GASKET, MANIFOLD 2	1	
5	98580-05016-00	SCREW, PAN HEAD	4	
6	92990-05100-00	.WASHER, SPRING	4	
7	6E9-13641-00-94	MANIFOLD 1	1	
8	90116-06122-00	BOLT, STUD	2	
9	90116-06M15-00	BOLT, STUD	2	
10	650-11370-00-00	CHECK VALVE ASSY	2	
11	90445-07M45-00	HOSE (L340)	1	
12	90445-07M44-00	HOSE (L250)	1	
13	90467-06016-00	CLIP	4	
14	6E9-14485-00-00	PIPE, JOINT	2	
15	6E9-24321-00-00	PIPE 10	1	
16	676-13646-A0-00	GASKET, MANIFOLD 2	1	
17	97313-06025-00	BOLT	6	
18	92990-06600-00	WASHER, PLATE	6	
19	90465-11M10-00	CLAMP	2	
20	6E9-14198-A0-00	GASKET	1	
21	92990-06600-00	WASHER, PLATE	4	
22	95380-06600-00	NUT, HEXAGON	4	
23	6E9-14483-A0-00	GASKET	2	
24	6E9-14417-70-94	COVER 1	1	
25	90105-06M14-00	BOLT FLANGE	4	
26	6E9-14476-00-00	SEAL	1	
27	6E9-14418-00-00	COVER 2	1	
28	90209-06M06-00	WASHER	4	
29	97395-06016-00	BOLT, HEX	4	
30	6E9-41256-00-00	ROD, CHOKE 1	1	
31	661-41262-02-00	JOINT, CHOKE LEVER	2	
32	6E9-41252-00-00	LEVER, CHOKE	1	
33	91690-40016-00	PIN, SPRING	1	
34	90206-05005-00	WASHER, WAVE	1	
35	663-41257-02-00	ROD, CHOKE 2	1	
36	661-41262-02-00	JOINT, CHOKE LEVER	2	
37	682-41271-00-00	KNOB, CHOKE	1	
38	689-41273-00-00	GROMMET	1	
39	697-41217-01-00	ROD, ACCEL. LEVER	1	

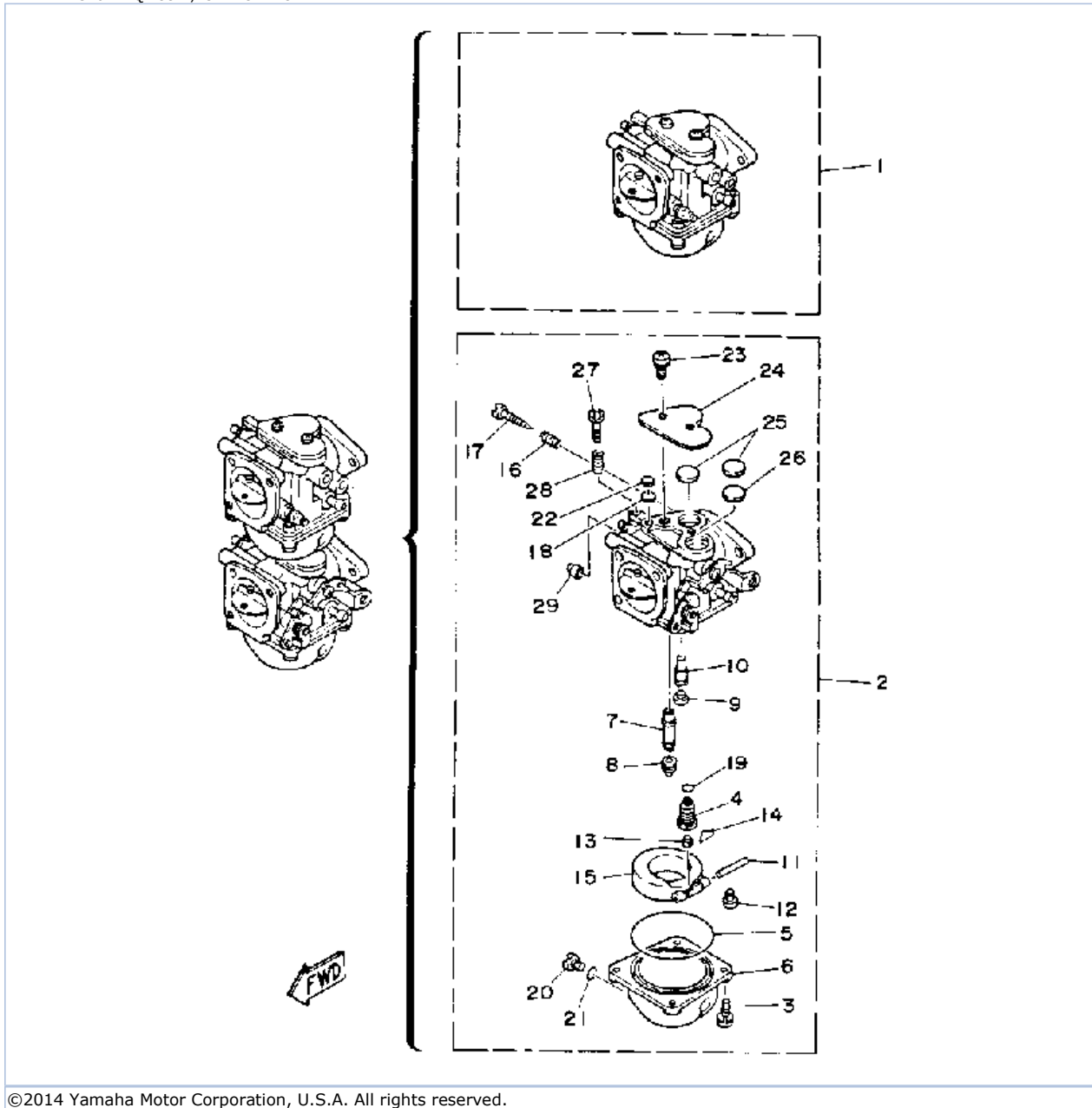
## Part Notes

C40ELRQ 1992 / INTAKE

PART NUMBER		NOTE TEXT
92990-06600-00		OEM: This part number is among the Top 100 Most Popular Marine Maintenance Parts as of March 2014.
92990-06600-00		OEM: This part number is among the Top 100 Most Popular Marine Maintenance Parts as of March 2014.

©2014 Yamaha Motor Corporation, U.S.A. All rights reserved.

C40ELRQ 1992 / CARBURETOR



©2014 Yamaha Motor Corporation, U.S.A. All rights reserved.

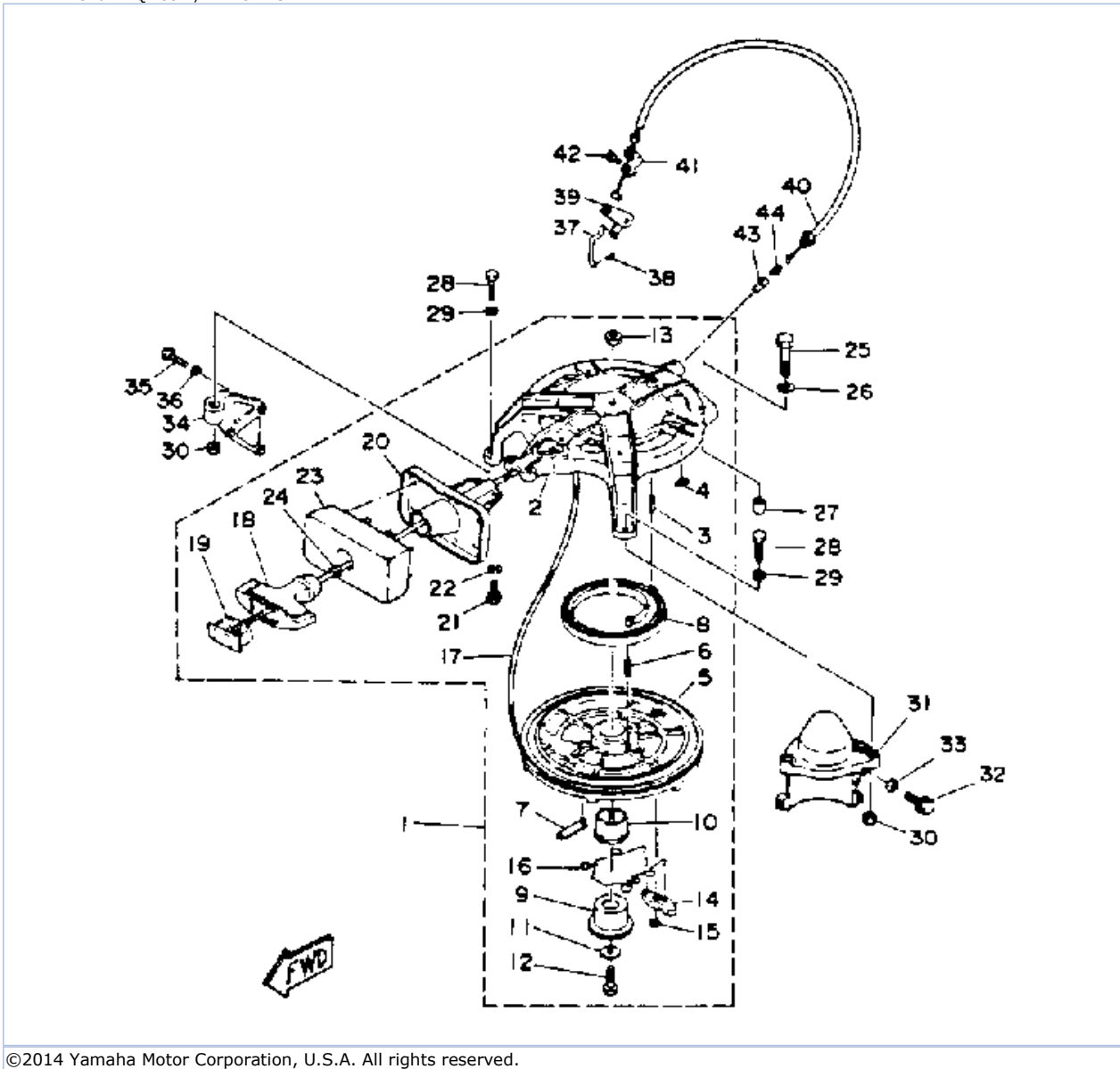


## Part List

C40ELRQ 1992 / CARBURETOR

REF - NO	PART NUMBER	PART NAME	QUANTITY	REMARKS
1	6E9-14301-02-00	CARBURETOR ASSEMBLY 1	1	
2	6E9-14302-02-00	CARBURETOR ASSEMBLY 2	1	
3	97980-04114-00	.SCREW, WITH WASHER	8	
4	6H3-14590-00-00	.NEEDLE VALVE ASSEMBLY	2	
5	676-14984-00-00	.GASKET, FLOAT CHAMBER	2	
6	688-14980-00-00	.BODY, FLOAT CHAMBER	2	
7	6E9-14947-00-00	.JET, NEEDLE	2	
8	676-14943-41-00	.JET, MAIN (#170)	2	
9	676-14966-00-00	.CAP	2	
10	6E9-14948-17-00	.JET (#75)	2	
11	688-14548-00-00	.PIN, FLOAT ARM	2	
12	98580-04008-00	.SCREW, PAN HEAD	2	
13	676-14186-00-00	.PIN, FLOAT	2	
14	663-14159-00-00	.CLIP	2	
15	676-14985-01-00	.FLOAT	2	
16	679-14555-00-00	.SPRING	2	
17	692-14923-00-00	.SCREW, PILOT	2	
18	663-14527-00-00	.PLATE	2	
19	93210-04228-00	.O-RING	2	
20	6H3-14992-00-00	.SCREW, DRAIN	2	
21	93210-04230-00	.O-RING	2	
22	663-14126-00-00	.GASKET	2	
23	97980-05310-00	.SCREW, WITH WASHER	4	
24	688-14572-01-00	.PLATE, STAY	2	
25	688-14126-00-00	.GASKET	4	
26	688-14527-00-00	.PLATE	2	
27	663-14523-00-00	.SCREW, STOP	1	
28	90501-10326-00	.SPRING, COMPRESSION	1	
29	6H2-14578-00-00	.COLLAR	1	

C40ELRQ 1992 / MANUAL STARTER



©2014 Yamaha Motor Corporation, U.S.A. All rights reserved.

## Part List



C40ELRQ 1992 / MANUAL STARTER

REF - NO	PART NUMBER	PART NAME	QUANTITY	REMARKS
1	6R6-15710-00-EK	STARTER ASSEMBLY	1	
2	676-15711-01-94	.CASE, STARTER	1	
3	91690-40020-00	.PIN, SPRING	1	
4	676-15773-00-00	.STAY 3	6	
5	676-15714-00-94	.DRUM, SHEAVE	1	
6	91690-40020-00	.PIN, SPRING	1	
7	676-15799-01-00	.CLIP	1	
8	90510-09M00-00	.SPRING, SPIRAL	1	
9	676-15717-00-00	.SHAFT, STARTER	1	
10	90386-35M01-00	.BUSH	1	
11	90201-08309-00	.WASHER, PLATE	1	
12	97013-08025-00	.BOLT	1	
13	95333-08600-00	.NUT	1	
14	676-15741-03-00	.PAWL, DRIVE	1	
15	93430-06M02-00	.CIRCLIP	1	
16	676-15705-00-00	.SPRING, DRIVE PAWL	1	
17	90890-44373-00	.ROPE, STARTER	1	
18	689-15755-01-00	.HANDLE, STARTER	1	
19	6F5-15779-02-00	.COVER	1	
20	6R6-15758-00-EK	.GUIDE, ROPE	1	
21	97395-06016-00	.BOLT, HEX	2	
22	92990-06600-00	.WASHER, PLATE	2	
23	6A0-15762-00-00	.SEAL, RUBBER 2	1	
24	6A0-15789-00-00	.DAMPER	1	
25	97395-08040-00	BOLT	1	
26	92990-08100-00	WASHER, SPRING	1	
27	99510-12016-00	PIN, DOWEL	1	
28	97395-06030-00	BOLT	2	
29	92995-06100-00	WASHER, SPRING	2	
30	95380-06600-00	NUT, HEXAGON	2	
31	6E9-15771-40-94	STAY 1	1	UR C40ER/PR
31	6E9-15771-00-94	STAY 1	1	UR C40MH
32	90105-08M22-00	BOLT, FLANGE	3	UR C40ER/PR
32	97313-08030-00	BOLT	3	UR C40MH
33	92990-08600-00	..WASHER, PLATE	3	UR C40MH
33	92990-08100-00	WASHER, SPRING	3	UR C40ER/PR
34	676-15772-00-94	STAY 2	1	
35	97313-06025-00	BOLT	3	
36	92990-06600-00	WASHER, PLATE	3	
37	676-15747-01-00	LINK	1	
38	91490-16010-00	PIN. COTTER	1	
39	676-15746-00-00	ARM	1	
40	676-15770-00-00	CABLE COMP., STARTER STOP	1	
41	6A0-15774-00-00	STAY 4	1	
42	97013-06012-00	BOLT	1	
43	656-15748-00-00	PLUNGER, STARTER STOP	1	
44	90501-10227-00	SPRING, COMPRESSION	1	

## Part Notes

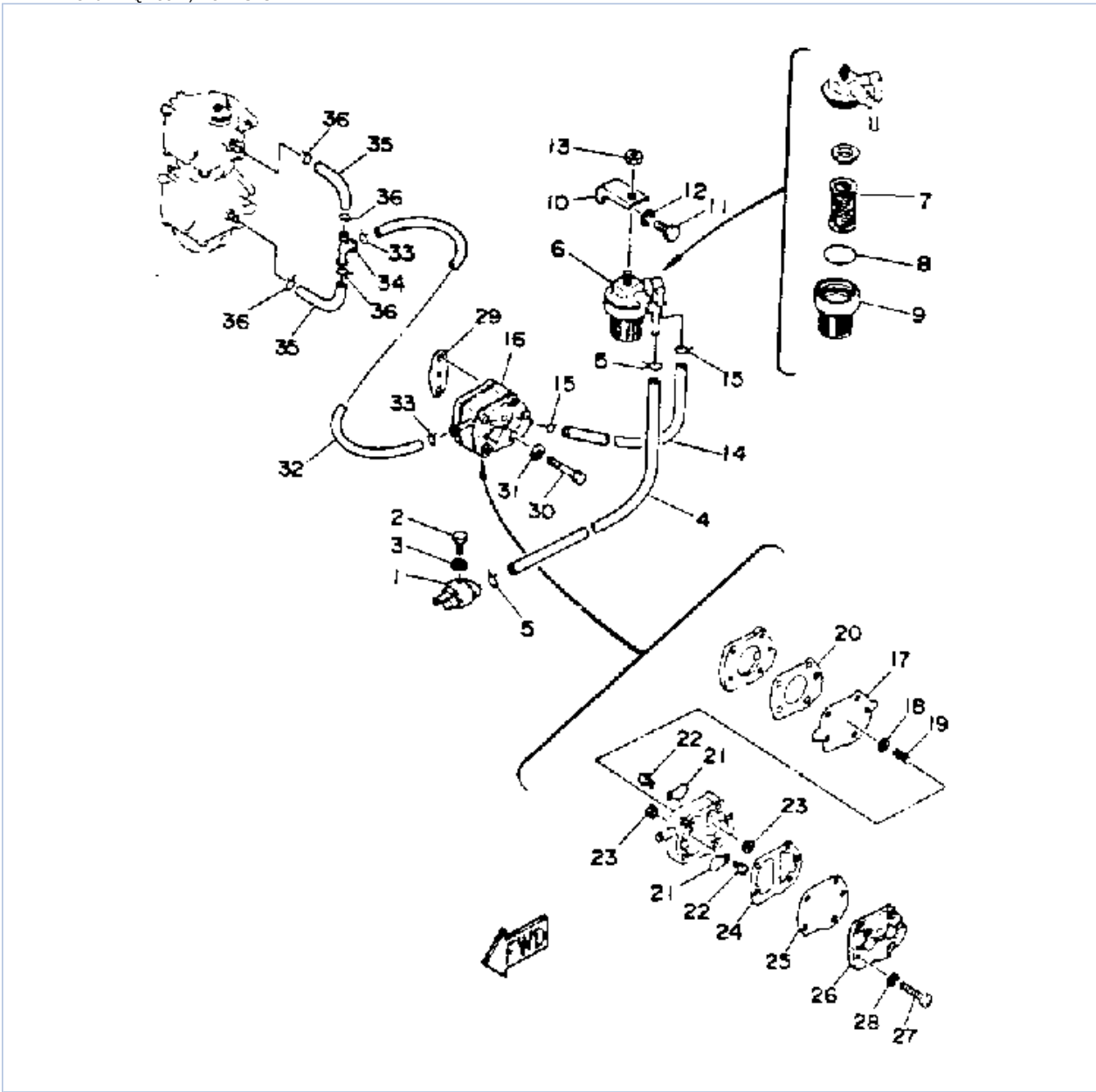
C40ELRQ 1992 / MANUAL STARTER

PART NUMBER	NOTE TEXT
92990-06600-00	OEM: This part number is among the Top 100 Most Popular Marine Maintenance Parts as of March 2014.

		
92990-06600-00		OEM: This part number is among the Top 100 Most Popular Marine Maintenance Parts as of March 2014.

©2014 Yamaha Motor Corporation, U.S.A. All rights reserved.

C40ELRQ 1992 / FUEL SYSTEM



©2014 Yamaha Motor Corporation, U.S.A. All rights reserved.




## Part List

C40ELRQ 1992 / FUEL SYSTEM

REF - NO	PART NUMBER	PART NAME	QUANTITY	REMARKS
1	6G1-24304-02-00	FUEL PIPE JOINT COMP. 1	1	
2	97395-06020-00	BOLT, HEXAGON	1	
3	92990-06600-00	WASHER, PLATE	1	
4	90445-09252-00	HOSE	1	
5	90467-08004-00	CLIP	2	
6	655-24560-01-00	FILTER ASSEMBLY	1	
7	6F5-24563-00-00	.ELEMENT, FILTER	1	
8	93210-37M25-00	.O-RING	1	
9	655-24521-01-00	.CUP, FILTER	1	
10	648-24566-01-00	BRACKET, FILTER	1	
11	97313-06016-00	BOLT, HEXAGON	1	
12	92995-06100-00	WASHER, SPRING	1	
13	95380-08600-00	NUT	1	
14	676-24311-00-00	PIPE, FUEL 1	1	
15	90467-08004-00	CLIP	2	
16	6A0-24410-05-00	FUEL PUMP ASSEMBLY	1	
17	648-24411-00-00	.DIAPHRAGM	1	
18	648-24424-00-00	.SEAT, SPRING	1	
19	648-24423-00-00	.SPRING, DIAPHRAGM	1	
20	648-24434-01-00	.GASKET, BODY	1	
21	6A0-24421-01-00	.VALVE, CHECK	2	
22	6A0-14325-00-00	.SCREW, PAN HEAD	2	
23	95380-03600-00	.NUT	2	
24	648-24435-02-00	.GASKET, BODY 2	1	
25	663-24411-00-00	.DIAPHRAGM	1	
26	648-24413-01-00	.BODY 2	1	
27	98580-05530-00	.SCREW, PAN HEAD	3	
28	92990-05100-00	.WASHER, SPRING	3	
29	650-24431-A0-00	GASKET, FUEL PUMP 1	1	
30	97395-06040-00	BOLT	2	
31	92990-06600-00	WASHER, PLATE	2	
32	6E9-24313-00-00	PIPE 3	1	
33	90467-08004-00	CLIP	2	
34	688-24378-00-00	PIPE, JOINT 3	1	
35	90445-09012-00	HOSE (L70)	2	
36	90467-08004-00	CLIP	4	

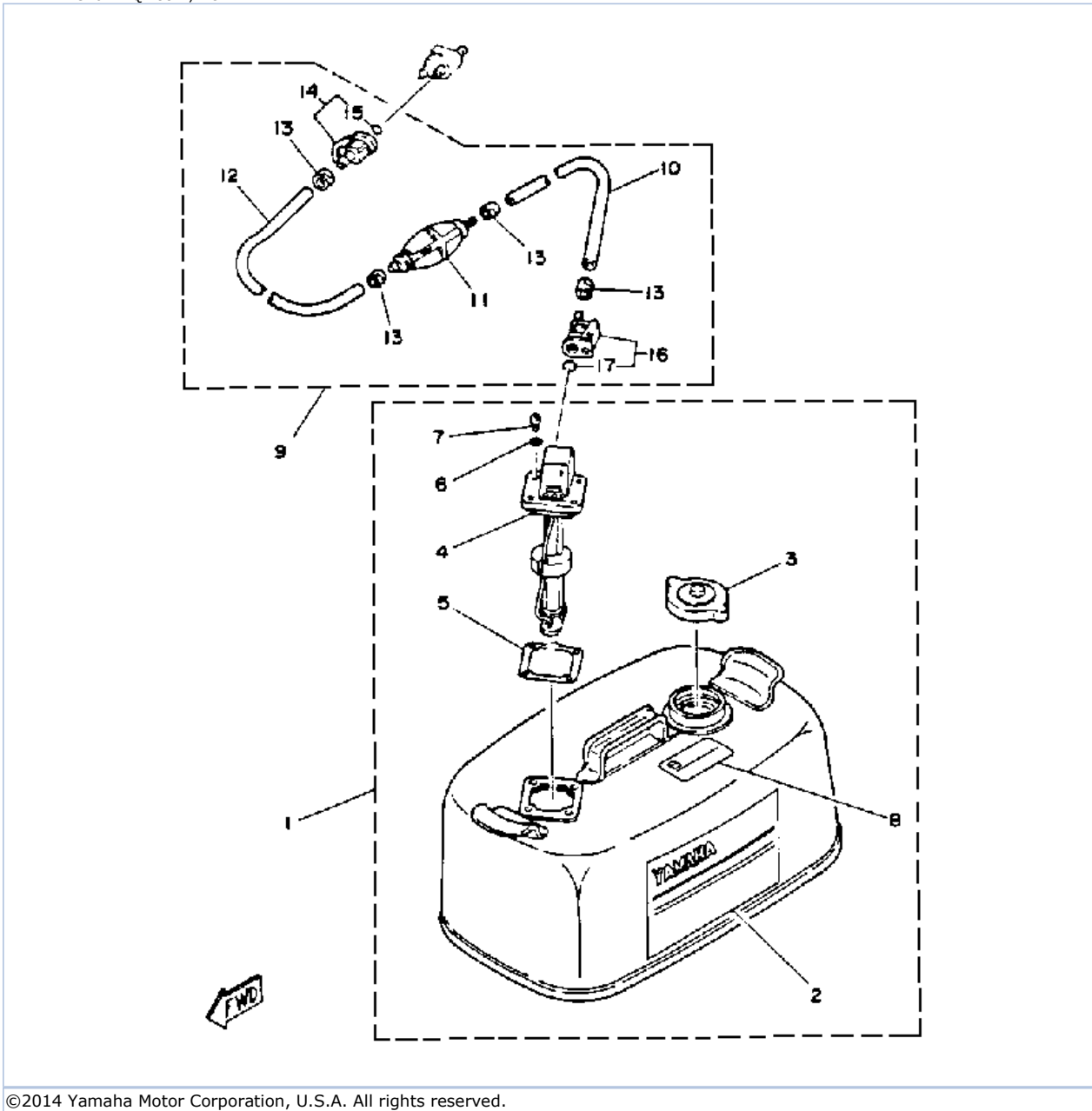
## Part Notes

C40ELRQ 1992 / FUEL SYSTEM

PART NUMBER	NOTE TEXT
92990-06600-00 	OEM: This part number is among the Top 100 Most Popular Marine Maintenance Parts as of March 2014.
650-24431-A0-00 	OEM: This part number is among the Top 100 Most Popular Marine Maintenance Parts as of March 2014.
92990-06600-00 	OEM: This part number is among the Top 100 Most Popular Marine Maintenance Parts as of March 2014.

©2014 Yamaha Motor Corporation, U.S.A. All rights reserved.

C40ELRQ 1992 / FUEL TANK



©2014 Yamaha Motor Corporation, U.S.A. All rights reserved.

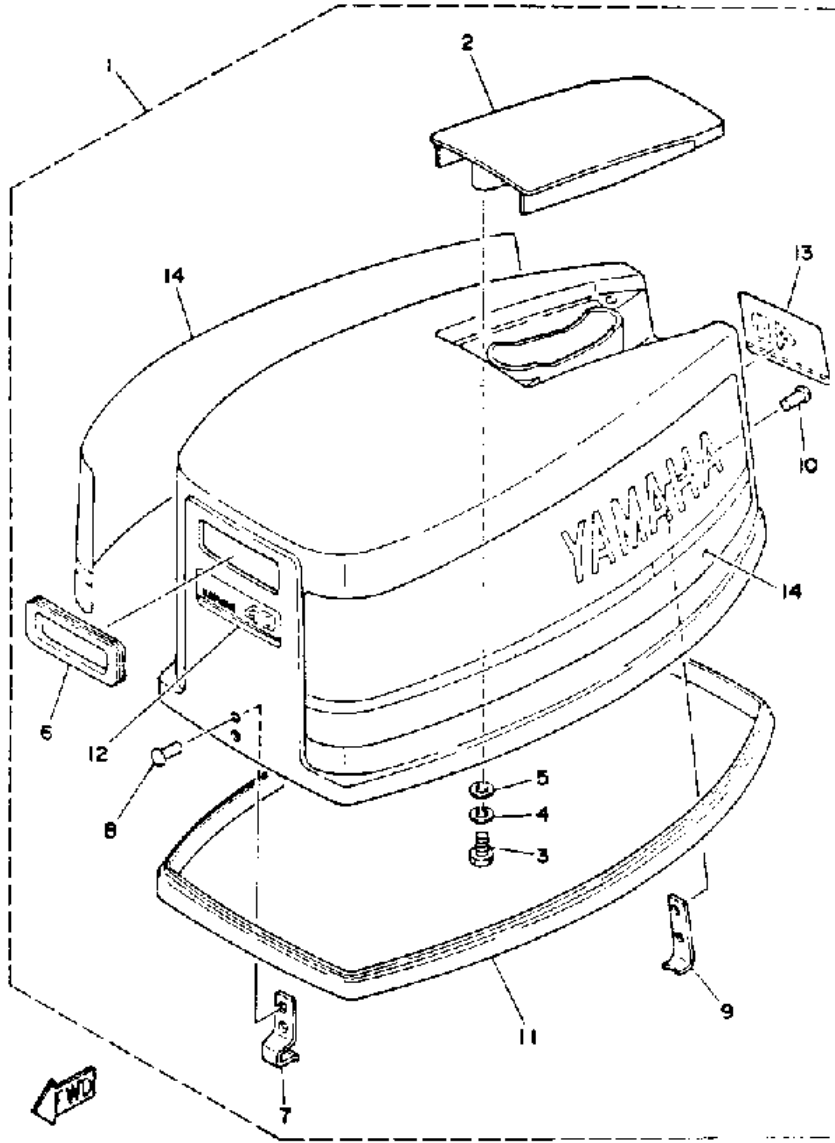
## Part List

C40ELRQ 1992 / FUEL TANK

REF - NO	PART NUMBER	PART NAME	QUANTITY	REMARKS
1	6Y1-W2420-42-24	FUEL TANK ASSEMBLY	1	
2	6Y1-24244-20-00	.GRAPHIC, SIDE	1	
3	6Y1-24610-00-00	.CAP ASSEMBLY	1	
4	6Y1-24260-02-00	.FUEL METER ASSEMBLY	1	
4	6Y1-24268-00-00	.GASKET, FUEL METER	1	
6	6Y1-24329-00-00	.SEAL	4	
7	98586-05016-00	.SCREW, PAN HEAD	4	
8	6Y1-24255-40-00	.GRAPHIC, FUEL TNK 8	1	
9	6Y1-24306-51-00	FUEL PIPE COMP. 1	1	
10	90445-11M06-00	.HOSE (L2050)	1	
11	6Y1-24360-51-00	.PRIMER PUMP ASSY	1	
12	90445-11M05-00	.HOSE (L850)	1	
13	650-24351-51-00	.BAND 1	4	
14	6G1-24305-01-00	.FUEL PIPE JOINT COMP 2	1	
15	93210-08287-00	..O-RING	1	
16	6Y1-24305-02-00	.FUEL PIPE JOINT COMP 2	1	
17	93210-08287-00	..O-RING	1	



C40ELRQ 1992 / TOP COWLING



©2014 Yamaha Motor Corporation, U.S.A. All rights reserved.


## Part List

C40ELRQ 1992 / TOP COWLING

REF - NO	PART NUMBER	PART NAME	QUANTITY	REMARKS
1	6R6-42610-L0-EK	TOP COWLING ASSEMBLY	1	
2	6A0-42613-00-EK	.MOLDING, AIR DUCT	1	
3	97395-06016-00	.BOLT, HEX	3	
4	92995-06100-00	.WASHER, SPRING	3	
5	92990-06600-00	.WASHER, PLATE	3	
6	6A0-15761-00-00	.SEAL, RUBBER 1	1	
7	6E9-42651-01-00	.HOOK	1	
8	90266-04M04-00	.RIVET	2	
9	6A0-42652-00-00	.HOOK	1	
10	90266-04M01-00	.RIVET	2	
11	6E9-42615-00-00	.SEAL	1	
12	6J4-42677-20-00	.GRAPHIC, FRONT	1	
13	6J4-42678-20-00	.GRAPHIC, REAR	1	
14	6R6-W0070-L0-00	.GRAPHIC SET	1	

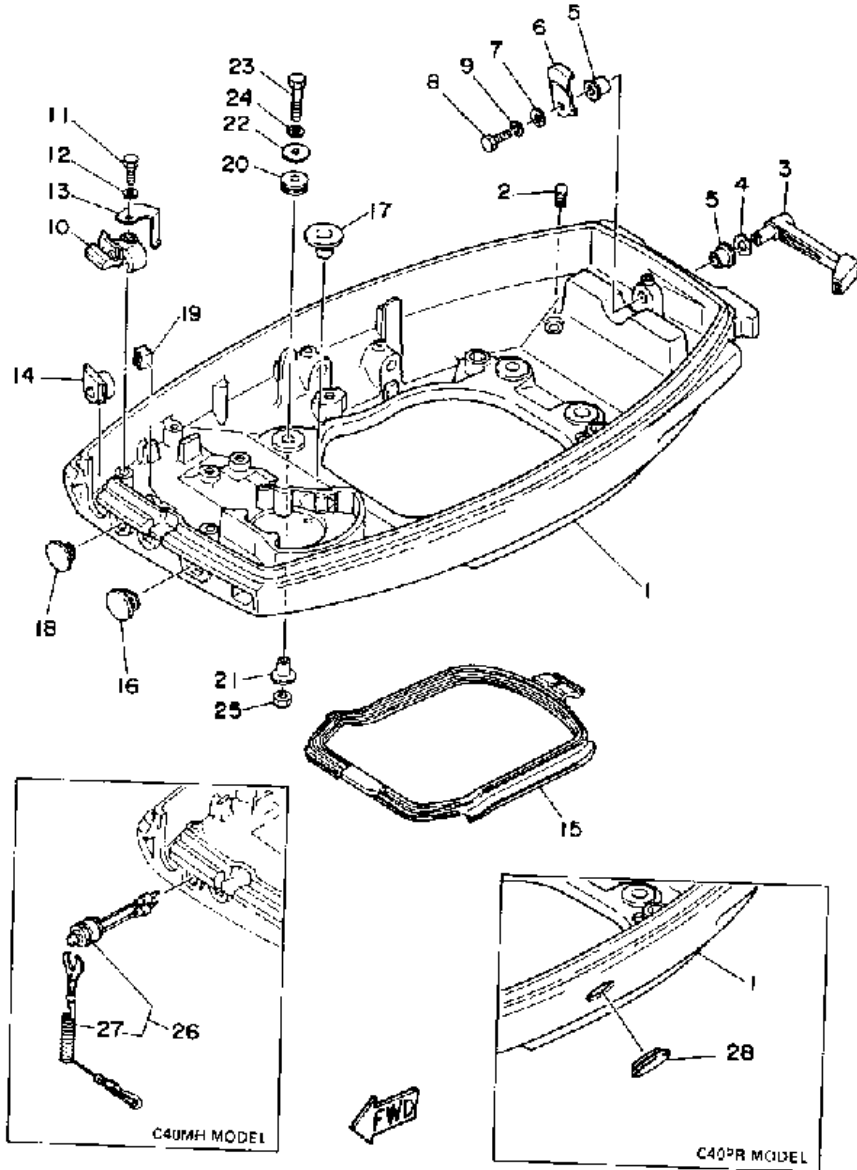
## Part Notes

C40ELRQ 1992 / TOP COWLING

PART NUMBER	NOTE TEXT
92990-06600-00 	OEM: This part number is among the Top 100 Most Popular Marine Maintenance Parts as of March 2014.

©2014 Yamaha Motor Corporation, U.S.A. All rights reserved.

C40ELRQ 1992 / BOTTOM COWLING



©2014 Yamaha Motor Corporation, U.S.A. All rights reserved.




## Part List

C40ELRQ 1992 / BOTTOM COWLING

REF - NO	PART NUMBER	PART NAME	QUANTITY	REMARKS
1	6A0-42711-02-EK	COWLING, BOTTOM	1	UR C40MH/ER
1	6R6-42711-00-EK	COWLING, BOTTOM	1	UR C40PR
2	676-24376-01-00	PIPE, JOINT 1	1	
3	676-42815-00-EK	LEVER, CLAMP	1	
4	90206-12052-00	WASHER, WAVE	1	
5	90386-12069-00	BUSH	2	
6	682-42816-00-00	LEVER, CLAMP	1	
7	90201-06M02-00	WASHER, PLATE	1	
8	97313-06010-00	BOLT, HEXAGON	1	
9	92995-06100-00	WASHER, SPRING	1	
10	6A0-42738-00-94	PLATE, FITTING	1	
11	97313-06030-00	BOLT	1	
12	92990-06600-00	WASHER, PLATE	1	
13	90465-06M15-00	CLAMP	1	C40ER/PR
14	6A0-42726-00-00	GROMMET	1	UR C40ER
14	6A0-42724-00-00	GROMMET	1	UR C40MH
14	6E9-42724-00-00	GROMMET	1	UR C40PR
15	6E9-42716-00-00	RUBBER, SEAL 1	1	
16	676-42726-00-00	GROMMET	1	
17	676-42727-00-00	GROMMET	1	
18	90480-17165-00	GROMMET	1	C40ER/PR
19	676-42724-40-00	GROMMET	1	UR C40ER/PR
19	676-26326-00-00	GROMMET	1	UR C40MH
20	90480-09M21-00	GROMMET	4	
21	90387-06M41-00	COLLAR	4	
22	90201-06416-00	WASHER, PLATE	4	
23	97313-06030-00	BOLT	4	
24	92990-06600-00	WASHER, PLATE	4	
25	95380-06600-00	NUT, HEXAGON	4	
26	6E9-82575-01-00	ENGINE STOP SWITCH ASSEMBLY	1	C40MH
27	682-82556-00-00	.LANYARD, STOP SWITCH	1	C40MH
28	6E9-42726-00-00	GROMMET	1	C40PR

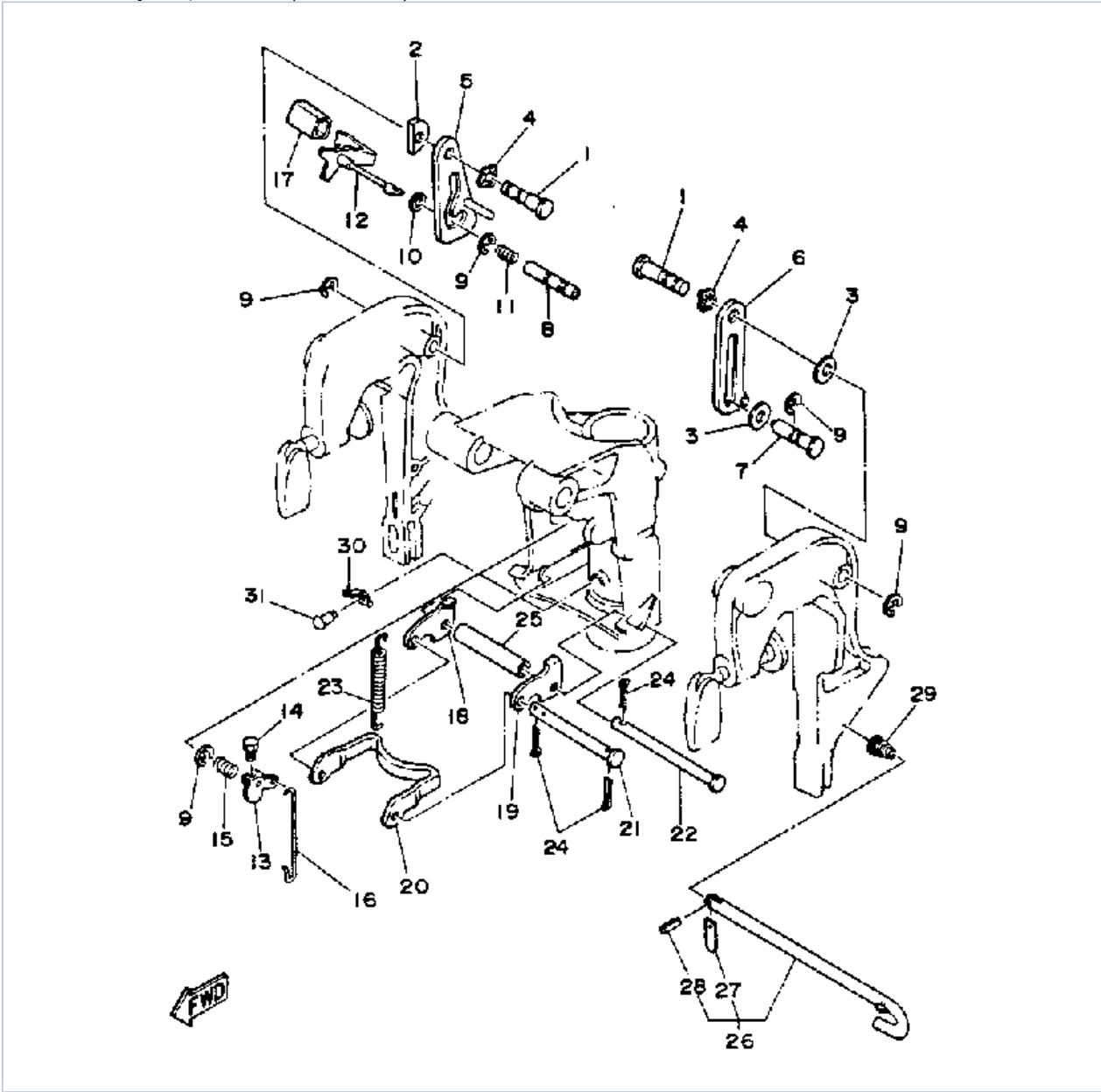
## Part Notes

C40ELRQ 1992 / BOTTOM COWLING

PART NUMBER		NOTE TEXT
92990-06600-00		OEM: This part number is among the Top 100 Most Popular Marine Maintenance Parts as of March 2014.
92990-06600-00		OEM: This part number is among the Top 100 Most Popular Marine Maintenance Parts as of March 2014.
682-82556-00-00		OEM: This part number is among the Top 100 Most Popular Marine Maintenance Parts as of March 2014.

©2014 Yamaha Motor Corporation, U.S.A. All rights reserved.

C40ELRQ 1992 / BRACKET 1 (C40MH C40ER)



©2014 Yamaha Motor Corporation, U.S.A. All rights reserved.

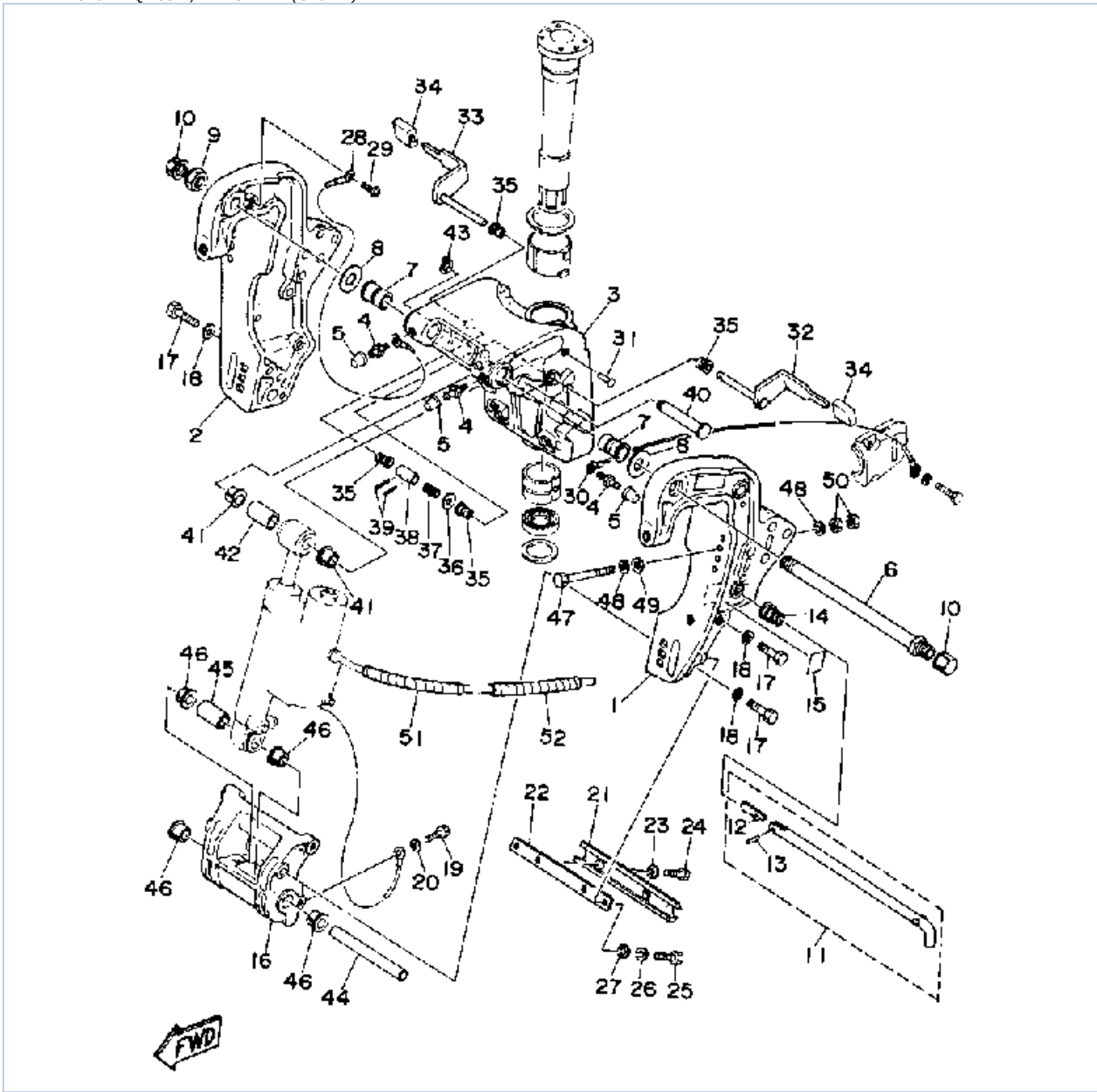
## Part List

C40ELRQ 1992 / BRACKET 1 (C40MH C40ER)

REF - NO	PART NUMBER	PART NAME	QUANTITY	REMARKS
1	676-43111-03-EK	BRACKET, CLAMP	1	
2	648-43114-01-00	PAD, TRANSOM CLAMP	2	
3	676-43116-00-00	SCREW, TRANSOM CLAMP	2	
4	663-43118-00-EK	HANDLE, TRANSOM CLPTRANSOM CLAMP	2	
5	90243-04007-00	PIN	2	
6	676-43112-04-EK	BRACKET, CLAMP	1	
7	90116-08M00-00	BOLT, STUD	1	
8	90387-08M02-00	COLLAR	1	
9	92990-08100-00	WASHER, SPRING	2	
10	95380-08600-00	NUT	2	
11	676-43311-01-EK	BRACKET, SWIVEL	1	
12	93700-06M03-00	NIPPLE, GREASE	4	
13	663-45119-00-00	CAP, GREASE NIPPLE	4	
14	648-42528-00-00	PLATE, FRICTION	1	
15	90501-18M00-00	SPRING, COMPRESSION	1	
16	676-43373-00-00	SEAL, DAMPER	1	
17	97395-08025-00	BOLT	1	
18	92990-08600-00	..WASHER, PLATE	1	
19	6J8-43131-01-00	BOLT, CLAMP BRACKET	1	
20	90386-22M15-00	BUSH	2	
21	90201-22428-00	WASHER, PLATE	2	
22	90185-22043-00	NUT, SELF-LOCKING	2	
23	6J8-43113-01-00	PLATE, CLAMP BRACKET	1	
24	6G5-43145-00-00	CAP, CLAMP BRACKET	2	
25	676-42511-01-EK	BRACKET, STEERING	1	
26	97395-08030-00	BOLT	2	
27	92990-08100-00	WASHER, SPRING	2	
28	93608-12063-00	PIN, DOWEL	2	
29	97090-08035-00	BOLT	2	
30	92990-08100-00	WASHER, SPRING	2	
31	676-42521-00-94	SHAFT, STEERING PIVOT	1	
32	90209-52M00-00	WASHER	1	
33	90201-44M01-00	WASHER, PLATE	1	
34	90386-52M02-00	BUSH	1	
35	90386-44M03-00	BUSH	1	
36	93109-44M00-00	OIL SEAL	1	
37	676-44551-00-EK	HOUSING, LOWER MOUNT RUBBER	1	
38	676-44552-00-EK	HOUSING, LOWER MOUNT RUBBER	1	
39	676-44553-00-EK	COVER, LOWER MOUNT	2	
40	679-44555-00-94	MOUNT DAMPER, LOWER SIDE	2	
41	97395-08030-00	BOLT	4	
42	92990-08100-00	WASHER, SPRING	4	
43	97395-08045-00	BOLT	4	
44	92995-08100-00	WASHER	4	
45	90101-12M01-00	BOLT	2	
46	90201-12M16-00	WASHER, PLATE	4	
47	90202-21100-00	WASHER, PLATE	2	
48	90201-13M11-00	WASHER, PLATE	2	
49	95380-12800-00	NUT, CROWN	2	
50	676-44575-00-00	DAMPER, LOWER MOUNT RUBBER	1	

51	679-44514-00-94	MOUNT DAMPER, UPPER SIDE	2	
52	90101-08M02-00	BOLT	2	
53	90201-08M08-00	WASHER, PLATE	2	
54	90201-09M00-00	WASHER, PLATE	2	
55	95780-08300-00	..NUT, FLANGE	2	
56	676-44533-00-00	DAMPER, UPPER MOUNT RUBBER	1	
57	676-44518-00-00	BRACKET COMP.	1	
58	97395-06025-00	BOLT	2	
59	95380-06600-00	NUT, HEXAGON	2	
60	676-44511-00-94	COVER, UPPER MOUNT	2	
61	676-44512-00-94	COVER, UPPER MOUNT	2	
62	97395-08050-00	BOLT	4	
63	92990-08600-00	..WASHER, PLATE	4	
64	95380-08600-00	NUT	4	
65	676-44521-00-00	SEAL	2	
66	676-44522-01-00	SEAL	2	
67	90460-42M00-00	CLAMP, HOSE	2	
68	90101-10M58-00	BOLT	4	
69	92995-10600-00	WASHER	8	
70	90201-12426-00	WASHER, PLATE	4	
71	95380-10600-00	NUT	8	

C40ELRQ 1992 / BRACKET 1 (C40PR)



©2014 Yamaha Motor Corporation, U.S.A. All rights reserved.





## Part List

C40ELRQ 1992 / BRACKET 1 (C40PR )

REF - NO	PART NUMBER	PART NAME	QUANTITY	REMARKS
1	6E9-43111-01-EK	BRACKET, CLAMP	1	
2	697-43112-03-EK	BRACKET, CLAMP	1	
3	6E9-43311-00-EK	BRACKET, SWIVEL	1	
4	93700-06M03-00	NIPPLE, GREASE	3	
5	663-45119-00-00	CAP, GREASE NIPPLE	3	
6	688-43131-03-00	BOLT, CLAMP BRACKET	1	
7	90386-22M15-00	BUSH	2	
8	90201-22M67-00	WASHER, PLATE	2	
9	90185-22043-00	NUT, SELF-LOCKING	2	
10	6G5-43145-00-00	CAP, CLAMP BRACKET	2	
11	697-43160-00-00	TILT ROD ASSEMBLY	1	
12	688-43165-00-00	.PLATE, TILT LOCK	1	
13	91690-30012-00	.PIN, SPRING	1	
14	90502-20M03-00	SPRING, CONICAL	1	
15	6E9-43155-00-00	MARK 1	1	
16	697-43128-01-EK	SPACER, CLAMP BRACKET	1	
17	97395-10045-00	BOLT	6	
18	92995-10100-00	WASHER	6	
19	97395-06010-00	BOLT	1	
20	92990-06600-00	WASHER, PLATE	1	
21	6H1-45251-02-00	ANODE	1	
22	6H1-44526-00-00	PLATE	1	
23	90201-06M31-00	.WASHER, PLATE	2	
24	97395-06012-00	BOLT	2	
25	97395-06016-00	BOLT, HEX	2	
26	92995-06100-00	WASHER, SPRING	2	
27	92990-06600-00	WASHER, PLATE	2	
28	688-82148-00-00	WIRE, LEAD 4	1	
29	98580-06012-00	SCREW, PAN HEAD	1	
30	6H5-82127-00-00	WIRE, LEAD 2	1	
31	90269-03010-00	RIVET	1	
32	688-43185-04-00	LEVER, TILT STOP	1	
33	688-43185-04-00	LEVER, TILT STOP	1	
34	663-43318-00-00	COVER	2	
35	90386-10M16-00	BUSH	4	
36	92990-10600-00	WASHER, PLATE	1	
37	90501-10M21-00	SPRING, COMPRESSION	1	
38	90387-10M38-00	COLLAR	1	
39	91490-30030-00	PIN, COTTER	2	
40	6E5-43126-02-00	PIN, UPPER SHOCK MOUNT	1	
41	90386-18M35-00	BUSH	2	
42	90386-18M21-00	BUSH	1	
43	93410-18M02-00	CIRCLIP	1	
44	688-43124-02-00	PIN, LOWER SHOCK MOUNT	1	
45	90386-18M21-00	BUSH	1	
46	90386-18M35-00	BUSH	4	
47	90101-12M65-00	BOLT	4	
48	92995-12200-00	WASHER	8	
49	90201-10426-00	WASHER, PLATE	4	
50	95380-12600-00	NUT	8	

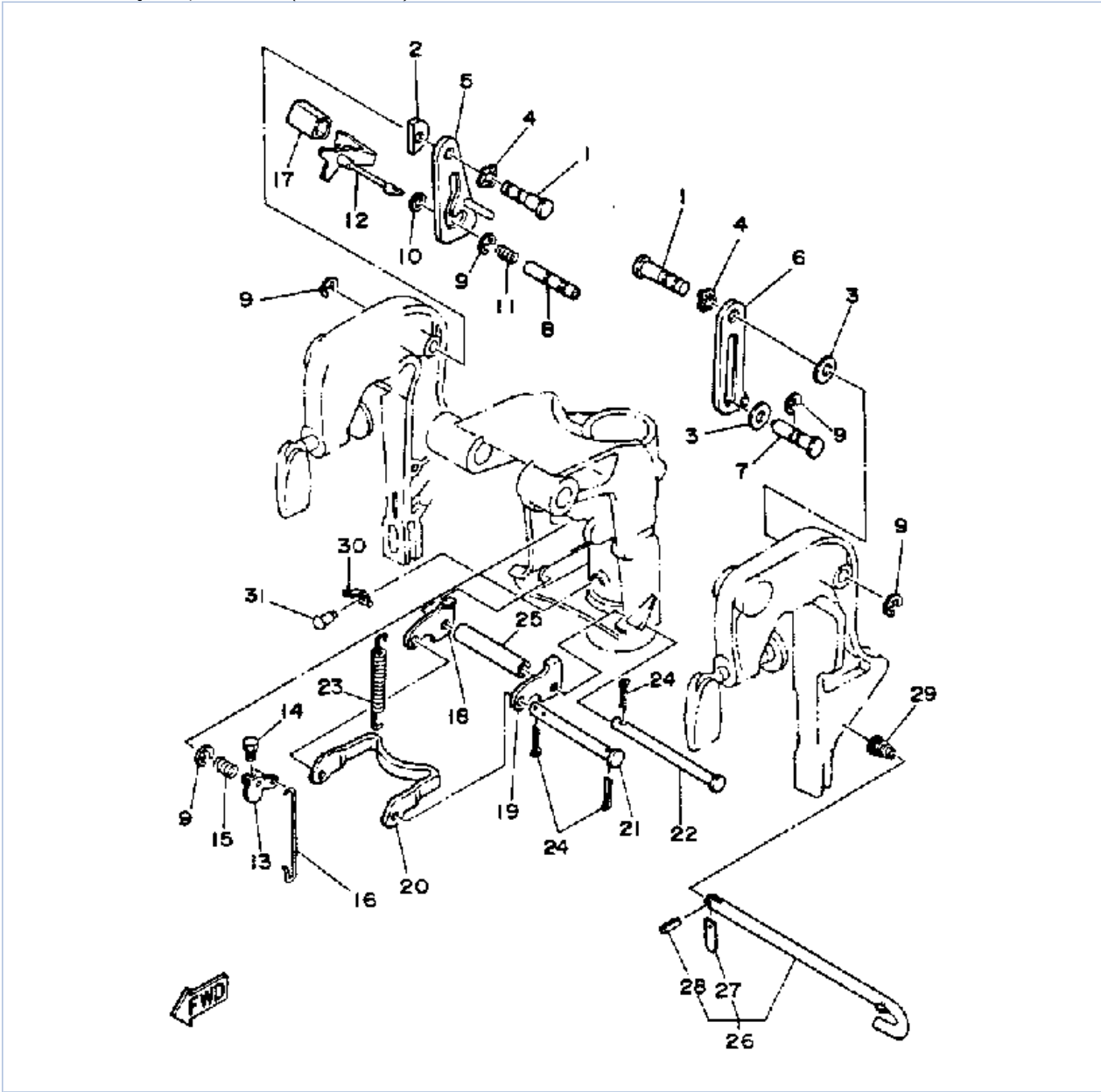
## Part Notes

C40ELRQ 1992 / BRACKET 1 (C40PR )

PART NUMBER		NOTE TEXT
92990-06600-00		OEM: This part number is among the Top 100 Most Popular Marine Maintenance Parts as of March 2014.
92990-06600-00		OEM: This part number is among the Top 100 Most Popular Marine Maintenance Parts as of March 2014.
92990-10600-00		OEM: This part number is among the Top 100 Most Popular Marine Maintenance Parts as of March 2014.

©2014 Yamaha Motor Corporation, U.S.A. All rights reserved.

C40ELRQ 1992 / BRACKET 2 (C40MH C40ER)



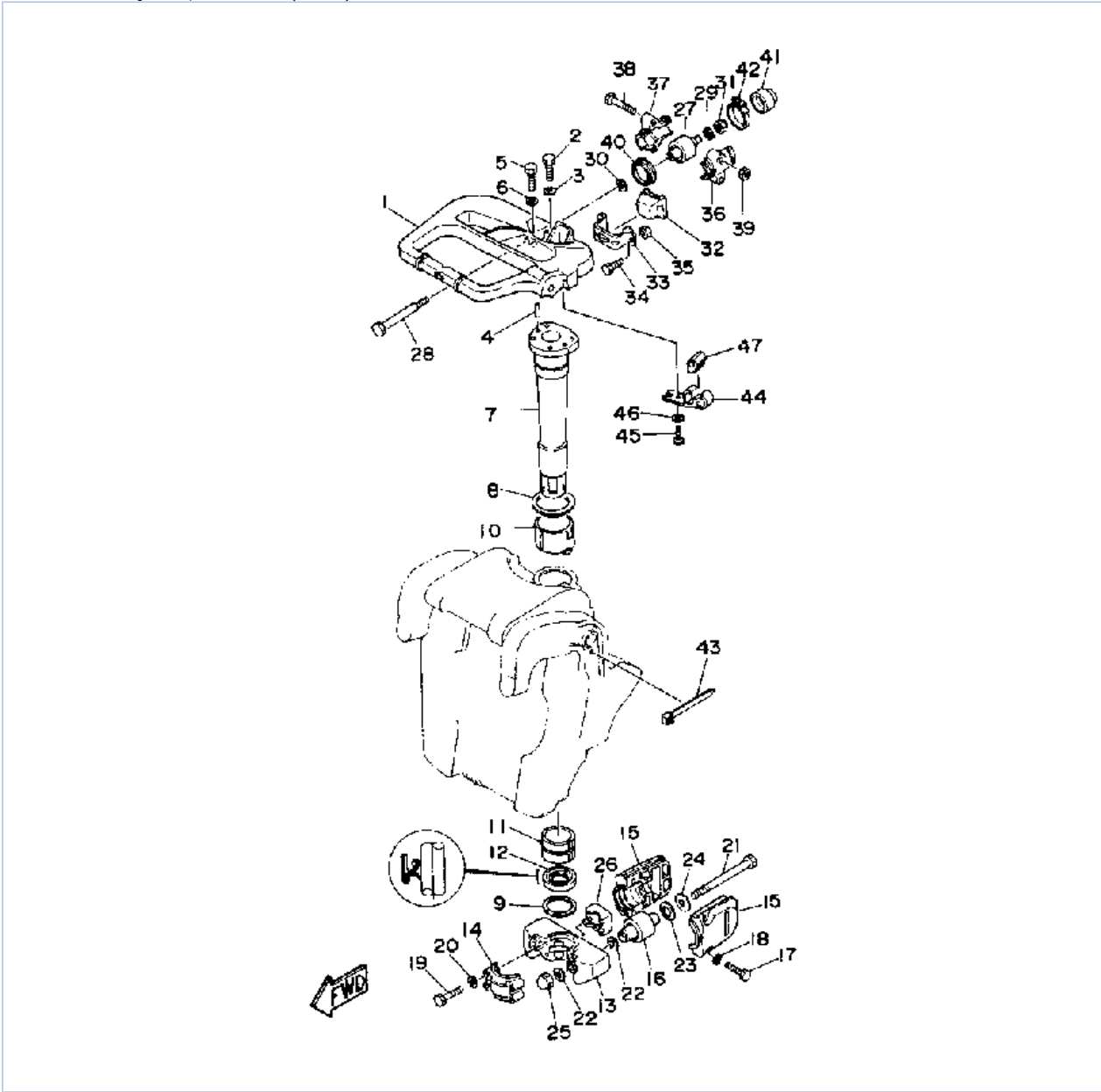
©2014 Yamaha Motor Corporation, U.S.A. All rights reserved.

## Part List

C40ELRQ 1992 / BRACKET 2 (C40MH C40ER)

REF - NO	PART NUMBER	PART NAME	QUANTITY	REMARKS
1	90249-12M27-00	PIN	2	
2	676-43132-00-00	WASHER, FRICTION	1	
3	90202-12M01-00	WASHER, PLATE	2	
4	90206-12M00-00	WASHER, WAVE	2	
5	6F5-43627-80-00	STOPPER	1	
6	6F5-43628-80-00	STOPPER	1	
7	90249-12M13-00	PIN	1	
8	676-43191-00-00	SHAFT, STOPPER	1	
9	93430-10M00-00	CIRCLIP	5	
10	90202-06M00-00	WASHER, PLATE	1	
11	90501-14M05-00	SPRING, COMPRESSION	1	
12	6F5-43630-80-00	TILT LEVER ASSEMBLY	1	
13	676-43631-00-00	LEVER, TILT	1	
14	97395-05010-00	BOLT	1	
15	90508-14M00-00	SPRING, TORSION	1	
16	676-43616-00-00	ROD, TILT LOCK	1	
17	663-43318-00-00	COVER	1	
18	676-43614-00-00	PLATE, TILT LOCK	1	
19	676-43615-00-00	PLATE, TILT LOCK	1	
20	676-43613-00-00	ARM, TILT LOCK	1	
21	90249-07M01-00	PIN	1	
22	90249-07M02-00	PIN	1	
23	90506-30M00-00	SPRING, TENSION	2	
24	91490-20015-00	PIN. COTTER	4	
25	90387-07M04-00	COLLAR	1	
26	676-43160-02-00	TILT ROD ASSY	1	
27	676-43165-00-00	.PLATE, TILT LOCK	1	
28	91690-30010-00	.PIN, SPRING	1	
29	90502-10M04-00	SPRING, CONICAL	1	
30	676-43643-00-00	SPRING	1	
31	90269-04M00-00	RIVET	1	

C40ELRQ 1992 / BRACKET 2 (C40PR)



©2014 Yamaha Motor Corporation, U.S.A. All rights reserved.

## Part List


C40ELRQ 1992 / BRACKET 2 (C40PR)

REF - NO	PART NUMBER	PART NAME	QUANTITY	REMARKS
1	6E9-42511-00-EK	BRACKET, STEERING	1	
2	97395-08030-00	BOLT	2	
3	92990-08100-00	WASHER, SPRING	2	
4	93608-12063-00	PIN, DOWEL	2	
5	97090-08035-00	BOLT	2	
6	92990-08100-00	WASHER, SPRING	2	
7	676-42521-00-94	SHAFT, STEERING PIVOT	1	
8	90209-52M00-00	WASHER	1	
9	90201-44M01-00	WASHER, PLATE	1	
10	90386-52M02-00	BUSH	1	
11	90386-44M03-00	BUSH	1	
12	93109-44M00-00	OIL SEAL	1	
13	676-44551-00-EK	HOUSING, LOWER MOUNT RUBBER	1	
14	676-44552-00-EK	HOUSING, LOWER MOUNT RUBBER	1	
15	676-44553-00-EK	COVER, LOWER MOUNT	2	
16	679-44555-00-94	MOUNT DAMPER, LOWER SIDE	2	
17	97395-08030-00	BOLT	4	
18	92990-08100-00	WASHER, SPRING	4	
19	97395-08045-00	BOLT	4	
20	92995-08100-00	WASHER	4	
21	90101-12M01-00	BOLT	2	
22	90201-12M16-00	WASHER, PLATE	4	
23	90202-21100-00	WASHER, PLATE	2	
24	90201-13M11-00	WASHER, PLATE	2	
25	95380-12800-00	NUT, CROWN	2	
26	676-44575-00-00	DAMPER, LOWER MOUNT RUBBER	1	
27	679-44514-00-94	MOUNT DAMPER, UPPER SIDE	2	
28	90101-08M02-00	BOLT	2	
29	90201-08M08-00	WASHER, PLATE	2	
30	90201-09M00-00	WASHER, PLATE	2	
31	95780-08300-00	..NUT, FLANGE	2	
32	676-44533-00-00	DAMPER, UPPER MOUNT RUBBER	1	
33	676-44518-00-00	BRACKET COMP.	1	
34	97395-06025-00	BOLT	2	
35	95380-06600-00	NUT, HEXAGON	2	
36	676-44511-00-94	COVER, UPPER MOUNT	2	
37	676-44512-00-94	COVER, UPPER MOUNT	2	
38	97395-08050-00	BOLT	4	
39	95380-08600-00	NUT	4	
40	676-44521-00-00	SEAL	2	
41	676-44522-01-00	SEAL	2	
42	90460-42M00-00	CLAMP, HOSE	2	
43	90465-11M10-00	CLAMP	1	
44	6E5-24367-01-00	CLAMP, FUEL PIPE 2	1	
45	90157-06M01-00	SCREW, PAN HEAD	1	
46	92990-06600-00	WASHER, PLATE	1	
47	6E9-82361-00-00	CLAMP, CORD	1	

## Part Notes

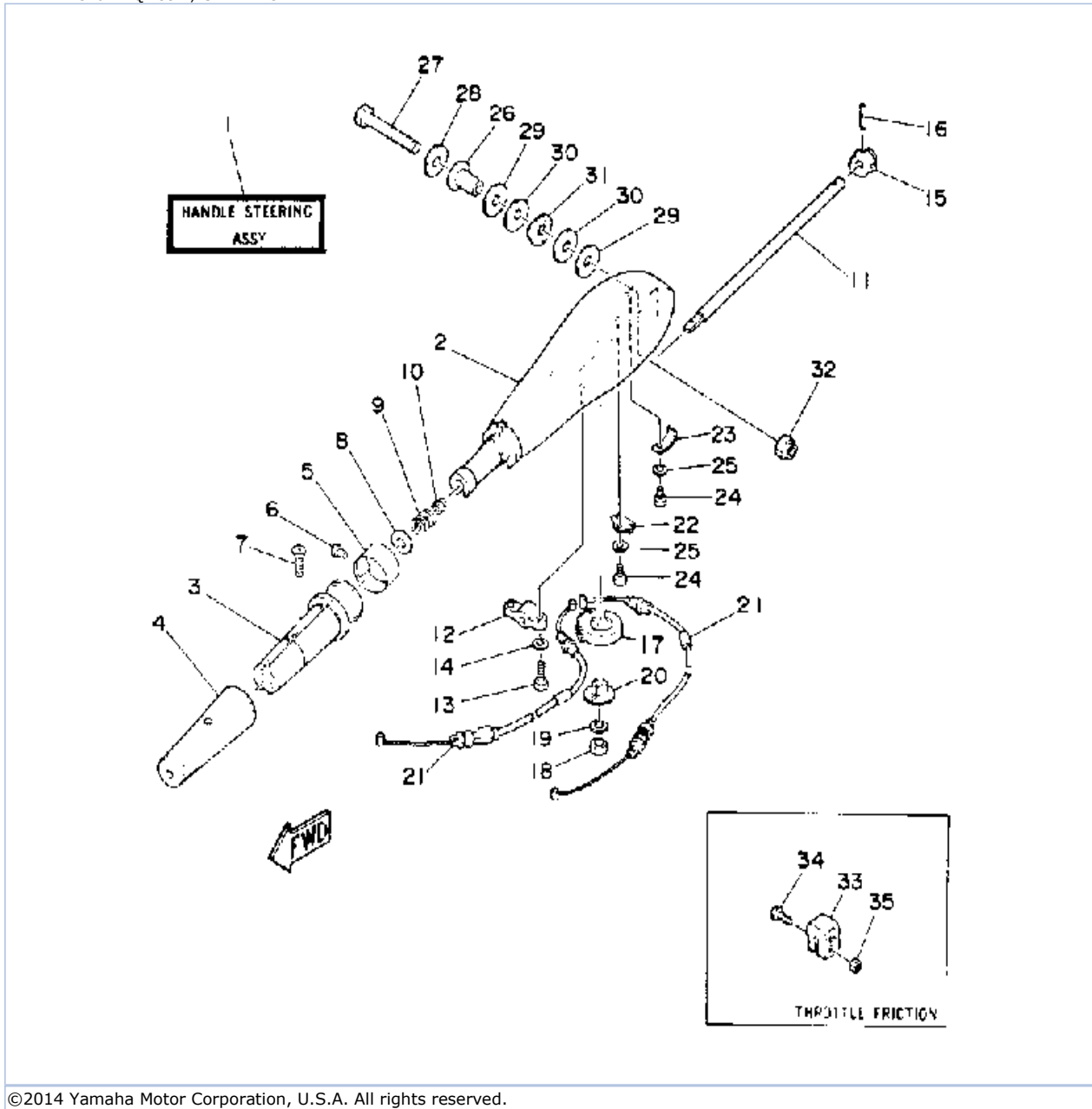
C40ELRQ 1992 / BRACKET 2 (C40PR)

---

PART NUMBER		NOTE TEXT
92990-06600-00		OEM: This part number is among the Top 100 Most Popular Marine Maintenance Parts as of March 2014.

©2014 Yamaha Motor Corporation, U.S.A. All rights reserved.

C40ELRQ 1992 / STEERING



©2014 Yamaha Motor Corporation, U.S.A. All rights reserved.





## Part List

C40ELRQ 1992 / STEERING

REF - NO	PART NUMBER	PART NAME	QUANTITY	REMARKS
1	6R6-W0084-01-EK	HANDLE STEERING ASSEMBLY (REF. #2~32) (6R6-W0084-00-EK)	1	
2	676-42111-01-EK	HANDLE, STEERING	1	
3	664-42119-00-00	GRIP, STEERING HANDLE	1	
4	6G1-42177-00-00	RUBBER, HANDLE	1	
5	6R6-42137-00-00	INDICATOR, THROTTLE	1	
6	90269-02M09-00	RIVET	1	
7	90149-05M13-00	SCREW	1	
8	92990-10600-00	WASHER, PLATE	1	
9	90501-23215-00	SPRING, COMPRESSION	1	
10	90386-08032-00	BUSH	1	
11	676-42115-00-00	SHAFT, STEERING HANDLE	1	
12	676-42159-00-00	STAY	1	
13	97395-06020-00	BOLT, HEXAGON	2	
14	92990-06600-00	WASHER, PLATE	2	
15	650-42152-00-94	GEAR	1	
16	91690-30025-00	PIN, SPRING	1	
17	676-42151-00-94	PINION	1	
18	95380-06600-00	NUT, HEXAGON	1	
19	92995-06100-00	WASHER, SPRING	1	
20	90386-08M00-00	BUSH	1	
21	6E9-26311-00-00	CABLE, THROTTLE 1	2	
22	676-26391-00-00	CLIP, CABLE	1	
23	676-26392-00-00	CLIP, CABLE 2	1	
24	97395-05010-00	BOLT	2	
25	92990-05600-00	WASHER, PLATE	2	
26	90386-12089-00	BUSH	1	
27	90101-12M37-00	BOLT	1	
28	92990-12200-00	WASHER, PLAIN	1	
29	90202-12092-00	WASHER, PLATE	2	
30	90201-12537-00	WASHER, PLATE	2	
31	90206-12054-00	WASHER, WAVE	1	
32	90185-12058-00	NUT, SELF-LOCKING	1	
33	656-42126-01-00	FRICITION, STEERING HANDLE GRIP	1	
34	97395-06020-00	BOLT, HEXAGON	1	
35	90185-06062-00	NUT, SELF-LOCKING	1	

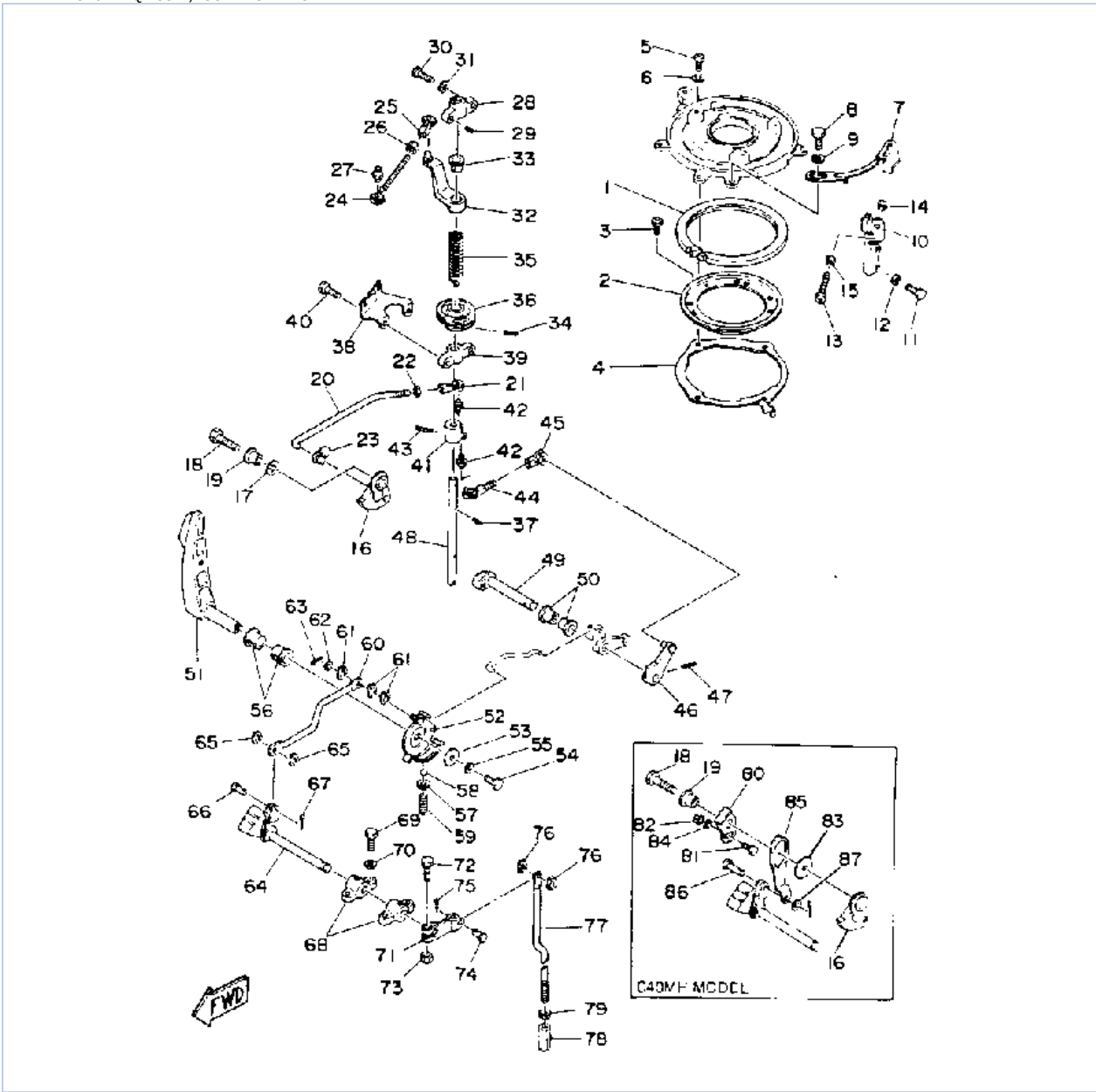
## Part Notes

C40ELRQ 1992 / STEERING

PART NUMBER	NOTE TEXT
92990-10600-00 	OEM: This part number is among the Top 100 Most Popular Marine Maintenance Parts as of March 2014.
92990-06600-00 	OEM: This part number is among the Top 100 Most Popular Marine Maintenance Parts as of March 2014.

©2014 Yamaha Motor Corporation, U.S.A. All rights reserved.

C40ELRQ 1992 / CONTROL ENGINE



©2014 Yamaha Motor Corporation, U.S.A. All rights reserved.

## Part List






C40ELRQ 1992 / CONTROL ENGINE

REF - NO	PART NUMBER	PART NAME	QUANTITY	REMARKS
1	676-41611-00-00	RETAINER, MAGNETO BASE	1	
2	689-41612-01-00	RETAINER, MAGNETO BASE	1	
3	98580-06012-00	SCREW, PAN HEAD	4	
4	676-41613-00-00	PLATE, BASE FRICTION	1	
5	98580-05012-00	.SCREW, PAN HEAD	4	
6	92990-05100-00	.WASHER, SPRING	4	
7	6E9-41615-00-00	STOPPER, MAGNETO BASE	1	
8	97313-06010-00	BOLT, HEXAGON	2	
9	92990-06600-00	WASHER, PLATE	2	
10	679-41606-00-00	STOPPER MAGNETO BASE COMP. 2	1	
11	97313-06016-00	BOLT, HEXAGON	2	
12	92995-06100-00	WASHER, SPRING	2	
13	90157-06M13-00	SCREW, PAN HEAD	1	
14	663-44194-00-00	CAP	1	
15	95380-06700-00	NUT	1	
16	6E9-41213-01-00	CAM, ACCEL.	1	
17	90206-10M04-00	WASHER, WAVE	1	C40ER/PR
18	97395-06030-00	BOLT	1	
19	90387-06M29-00	COLLAR	1	
20	6E9-41211-00-00	LINK, ACCEL.	1	
21	6H1-41237-00-00	JOINT, LINK	1	
22	95380-05600-00	NUT	1	
23	6R5-41237-00-00	JOINT, LINK	1	
24	682-41238-01-00	JOINT, LINK	1	
25	682-41237-00-00	JOINT, LINK	1	
26	95380-05600-00	NUT	1	
27	663-85518-00-00	JOINT, BALL	1	
28	676-41661-00-00	BRACKET	1	
29	91690-40010-00	PIN, SPRING	1	
30	97395-06020-00	BOLT, HEXAGON	1	
31	92990-06600-00	WASHER, PLATE	1	
32	676-41631-00-94	LEVER, MAGNETO CONTROL	1	
33	90386-10009-00	.BUSH	1	
34	91690-30018-00	PIN, SPRING	1	
35	90508-20M01-00	SPRING, TORSION	1	
36	679-41638-00-00	PULLEY	1	
37	91690-30018-00	PIN, SPRING	1	
38	676-14497-00-00	STAY, THROTTLE WIRE	1	
39	676-41662-00-00	BRACKET 2	1	
40	97395-06020-00	BOLT, HEXAGON	2	
41	6E9-41632-00-94	LEVER, MAGNETO CONTROL	1	
42	663-85518-00-00	JOINT, BALL	2	
43	91690-30018-00	PIN, SPRING	1	
44	679-41241-01-00	ROD, LINK	1	
45	6H1-41237-00-00	JOINT, LINK	1	
46	676-42154-00-94	LEVER, THROTTLE CONTROL	1	
47	91690-40022-00	.PIN, SPRING	1	
48	676-41635-00-00	SHAFT, LINK CONNECTING	1	
49	676-42153-01-94	SHAFT, THROTTLE CONTROL	1	
50	90386-10009-00	.BUSH	2	
51	6A0-44111-00-EK	HANDLE, GEAR SHIFT	1	
52	6A0-44113-00-00	CAM PLATE, HANDLE	1	
53	90201-06M02-00	WASHER, PLATE	1	

54	97395-06012-00	BOLT	1	
55	92995-06100-00	WASHER, SPRING	1	
56	90386-13M38-00	BUSH	2	
57	676-42715-00-00	BUSHING	1	
58	93505-16024-00	BALL	1	
59	90501-12274-00	SPRING, COMPRESSION	1	
60	6E9-44142-00-00	JOINT 1	1	
61	676-44188-00-00	WASHER	3	
62	92990-05600-00	WASHER, PLATE	1	
63	91490-16010-00	PIN. COTTER	1	
64	6E9-44119-01-00	SHAFT, CHANGE	1	
65	676-44188-00-00	WASHER	2	
66	91790-05014-00	PIN, CLEVIS	1	C40ER/PR
67	91490-16010-00	PIN. COTTER	1	
68	676-41662-00-00	BRACKET 2	2	
69	97313-06020-00	BOLT, HEXAGON	4	
70	92990-06600-00	WASHER, PLATE	4	
71	676-44121-01-00	LEVER, SHIFT ROD	1	
72	97313-06020-00	BOLT, HEXAGON	1	
73	95313-06700-00	NUT	1	
74	91790-05014-00	PIN, CLEVIS	1	
75	91490-16010-00	PIN. COTTER	1	
76	676-44188-00-00	WASHER	2	
77	676-44143-00-00	ROD, SHIFT	1	
78	648-44146-00-00	CONNECTOR, SHIFT ROD	1	
79	90170-07021-00	NUT	1	
80	6E9-42335-70-00	LEVER, ACCEL. CONTROL	1	C40MH
81	97313-05012-00	BOLT, HEXAGON	1	C40MH
82	95380-05600-00	NUT	1	C40MH
83	90201-06416-00	WASHER, PLATE	1	C40MH
84	92990-05600-00	WASHER, PLATE	1	C40MH
85	6E9-42343-70-00	LEVER, SHIFT CONTROL	1	C40MH
86	90240-05M06-00	PIN, CLEVIS	1	C40MH
87	92990-05100-00	.WASHER, SPRING	1	C40MH

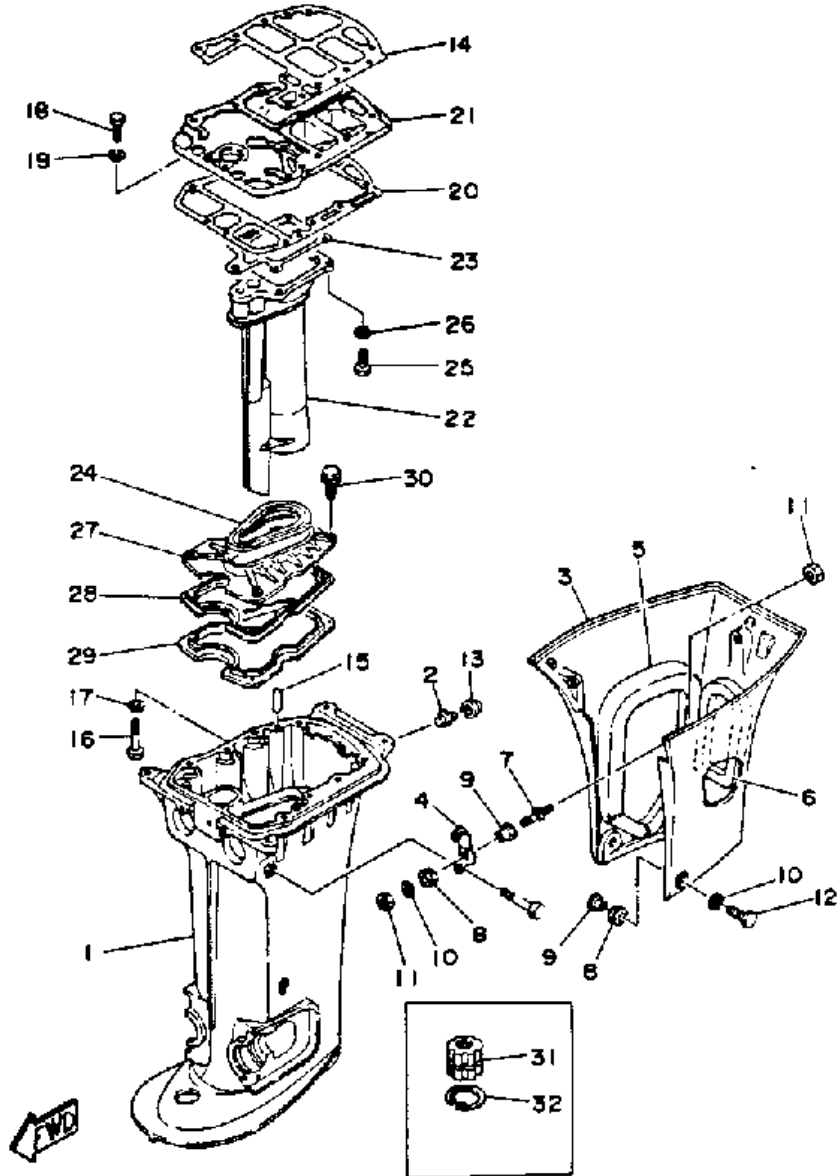
## Part Notes

C40ELRQ 1992 / CONTROL ENGINE

PART NUMBER		NOTE TEXT
92990-06600-00		OEM: This part number is among the Top 100 Most Popular Marine Maintenance Parts as of March 2014.
6H1-41237-00-00		OEM: This part number is among the Top 100 Most Popular Marine Maintenance Parts as of March 2014.
92990-06600-00		OEM: This part number is among the Top 100 Most Popular Marine Maintenance Parts as of March 2014.
6H1-41237-00-00		OEM: This part number is among the Top 100 Most Popular Marine Maintenance Parts as of March 2014.
92990-06600-00		OEM: This part number is among the Top 100 Most Popular Marine Maintenance Parts as of March 2014.

©2014 Yamaha Motor Corporation, U.S.A. All rights reserved.

C40ELRQ 1992 / UPPER CASING



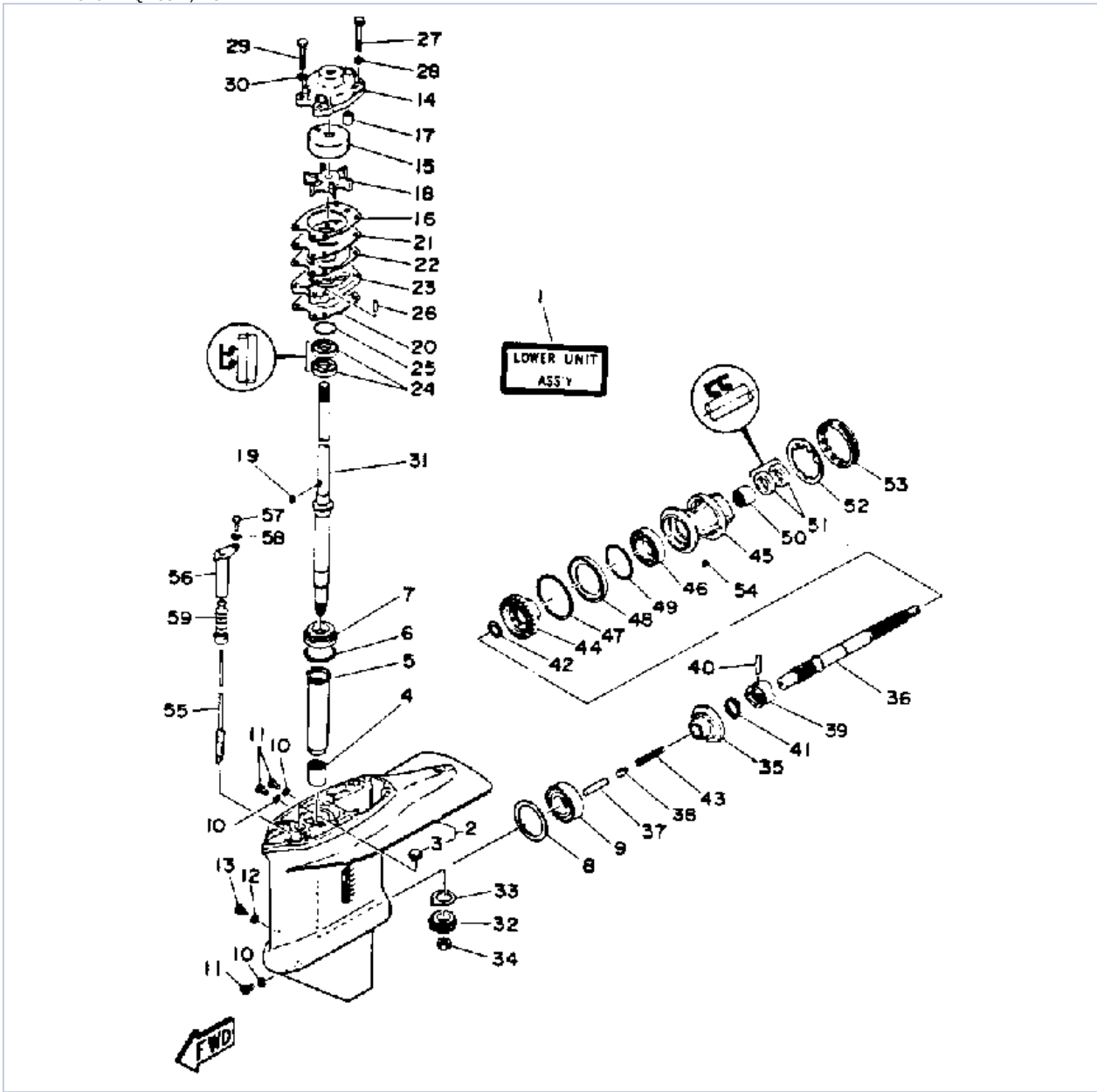
©2014 Yamaha Motor Corporation, U.S.A. All rights reserved.

## Part List

C40ELRQ 1992 / UPPER CASING

REF - NO	PART NUMBER	PART NAME	QUANTITY	REMARKS
1	6A0-45111-11-EK	CASING, UPPER	1	UR LONG
1	6A0-45111-01-EK	CASING, UPPER	1	UR SHORT
2	6A0-42761-00-00	STOPPER	1	
3	6A0-42741-00-EK	APRON	1	
4	6A0-42744-00-00	STAY	2	
5	6A0-42768-00-00	DAMPER	2	
6	6A0-42769-00-00	SEAL, RUBBER	1	
7	6A0-42742-00-00	BOLT	2	
8	90480-12M11-00	GROMMET	4	
9	6A0-42758-00-00	OLLAR	4	
10	90201-06M31-00	.WASHER, PLATE	4	
11	95380-06600-00	NUT, HEXAGON	4	
12	97395-06022-00	BOLT	2	
13	663-42662-00-00	.DAMPER	1	
14	676-45113-A0-00	GASKET, UPPER CASING	1	
15	93606-25M00-00	PIN, DOWEL	2	
16	97395-08040-00	BOLT	8	
17	92990-08100-00	WASHER, SPRING	8	
18	97395-06025-00	BOLT	3	
19	92995-06100-00	WASHER, SPRING	3	
20	676-45114-A0-00	GASKET, UPPER CASING	1	
21	676-41137-03-94	GUIDE, EXHAUST	1	
22	6E9-41131-00-5B	MANIFOLD, EXT. 1	1	
23	676-41133-A0-00	GASKET, EXHAUST MANIFOLD 1	1	
24	676-45127-00-00	SEAL	1	
25	97395-06020-00	BOLT, HEXAGON	4	
26	92995-06100-00	WASHER, SPRING	4	
27	676-41116-00-5B	PROTECTOR	1	
28	676-45128-00-00	SEAL 2	1	
29	676-45126-00-5B	PLATE, SEAL DAMPER	1	
30	90105-06M01-00	BOLT, WASHER BASED	4	
31	6A0-45318-00-00	BUSHING, DRIVE SHAFT	1	LONG
32	93420-36M01-00	CIRCLIP	1	LONG

C40ELRQ 1992 / LOWER DRIVE 1



©2014 Yamaha Motor Corporation, U.S.A. All rights reserved.

## Part List

C40ELRQ 1992 / LOWER DRIVE 1



REF - NO	PART NUMBER	PART NAME	QUANTITY	REMARKS
1	6E9-45300-01-EK	LOWER UNIT ASSEMBLY (REF. #2~59)	1	UR SHORT
1	6E9-45300-11-EK	LOWER UNIT ASSEMBLY (REF. #2~59)	1	UR LONG
2	679-W4531-01-EK	CASING, LOWER	1	
3	90338-22168-00	.PLUG	1	
4	93315-32224-00	BEARING	1	
5	679-45536-00-00	SLEEVE, DRIVE SHAFT	1	
6	663-45587-01-18	SHIM (T:0.18MM)	1	UR
6	663-45587-01-15	SHIM (T:0.15MM)	1	UR
6	663-45587-01-12	SHIM (T:0.12MM)	1	UR
6	663-45587-01-10	SHIM (T:0.10MM)	1	UR
6	663-45587-01-30	SHIM (T:0.30MM)	1	UR
6	663-45587-01-50	SHIM (T:0.50MM)	1	UR
6	663-45587-01-40	SHIM (T:0.40MM)	1	UR
7	93332-00001-00	BEARING	1	
8	663-45567-01-10	SHIM (T:0.10MM)	1	UR
8	663-45567-01-12	SHIM (T:0.12MM)	1	UR
8	663-45567-01-15	SHIM (T:0.15MM)	1	UR
8	663-45567-01-18	SHIM (T:0.18MM)	1	UR
8	663-45567-01-40	SHIM (T:0.40MM)	1	UR
8	663-45567-01-30	SHIM (T:0.30MM)	1	UR
8	663-45567-01-50	SHIM (T:0.50MM)	1	UR
9	93332-00003-00	BEARING	1	
10	90430-08020-00	.GASKET	3	
11	90340-08M04-00	PLUG, STRAIGHT SCREW	3	
12	90430-06M03-00	.GASKET	1	
13	90149-06M00-00	SCREW	1	
14	676-44311-00-00	HOUSING, WATER PUMP	1	
15	676-44322-00-00	INSERT, CARTRIDGE	1	
16	676-44315-A0-00	GASKET, WATER PUMP	1	
17	663-44366-00-00	.DAMPER, WATER SEAL 2	1	
18	6F5-44352-00-00	IMPELLER	1	
19	90280-04M00-00	KEY, WOODRUFF	1	
20	679-44316-A0-00	GASKET, WATER PUMP	1	
21	676-44323-00-00	OUTER PLATE, CARTRIDGE	1	
22	676-44324-A0-00	GASKET, CARTRIDGE	1	
23	679-44341-00-94	HOUSING, WATER PUMP	1	
24	93101-22067-00	.OIL SEAL	1	
25	93210-41042-00	O-RING	1	
26	93604-08062-00	PIN, DOWEL	2	
27	97395-08055-00	BOLT	2	
28	92990-08600-00	..WASHER, PLATE	2	
29	97395-08045-00	BOLT	2	
30	92990-08600-00	..WASHER, PLATE	2	
31	679-45501-10-00	DRIVE SHAFT COMP.	1	UR LONG
31	679-45501-00-00	DRIVE SHAFT COMP.	1	UR SHORT
32	6H9-45551-00-00	PINION	1	
33	663-45552-00-00	BEARING, PLAIN	1	
34	90170-12138-00	NUT	1	
35	679-45560-00-00	GEAR	1	
36	679-45611-01-00	SHAFT, PROPELLER	1	
37	676-45635-00-00	PLUNGER, SHIFT	1	
38	663-45634-00-00	SLIDE, SHIFT	1	



39	663-45631-01-00	CLUTCH, DOG	1	
40	90250-06023-00	PIN, STRAIGHT	1	
41	663-45633-00-00	RING, CROSS PIN	1	
42	90201-22429-00	WASHER, PLATE	1	
43	90501-16M01-00	SPRING, COMPRESSION	1	
44	679-45571-00-00	GEAR	1	
45	679-45331-00-94	HOUSING, BEARING	1	
46	93306-00702-00	BEARING	1	
47	663-45577-01-30	SHIM (T:0.30MM)	1	UR
47	663-45577-01-18	SHIM (T:0.18MM)	1	UR
47	663-45577-01-15	SHIM (T:0.15MM)	1	UR
47	663-45577-01-12	SHIM (T:0.12MM)	1	UR
47	663-45577-01-10	SHIM (T:0.10MM)	1	UR
47	663-45577-01-40	SHIM (T:0.40MM)	1	UR
47	663-45577-01-50	SHIM (T:0.50MM)	1	UR
48	663-45576-00-00	WASHER, THRUST	1	
49	93210-66M98-00	O-RING	1	
50	93317-22204-00	BEARING	1	
51	93101-22067-00	.OIL SEAL	2	
52	90214-48M03-00	WASHER, CLAW	1	
53	697-45384-00-00	NUT	1	
54	90282-04010-00	KEY, STRAIGHT	1	
55	679-44150-10-00	SHIFT CAM ASSEMBLY	1	UR LONG
55	679-44150-00-00	SHIFT CAM ASSEMBLY	1	UR SHORT
56	679-44152-00-00	BUSHING, SHIFT CAM	1	
57	97080-06018-00	BOLT	1	
58	92990-06600-00	WASHER, PLATE	1	
59	650-44147-00-00	BOOT, SHIFT ROD	1	

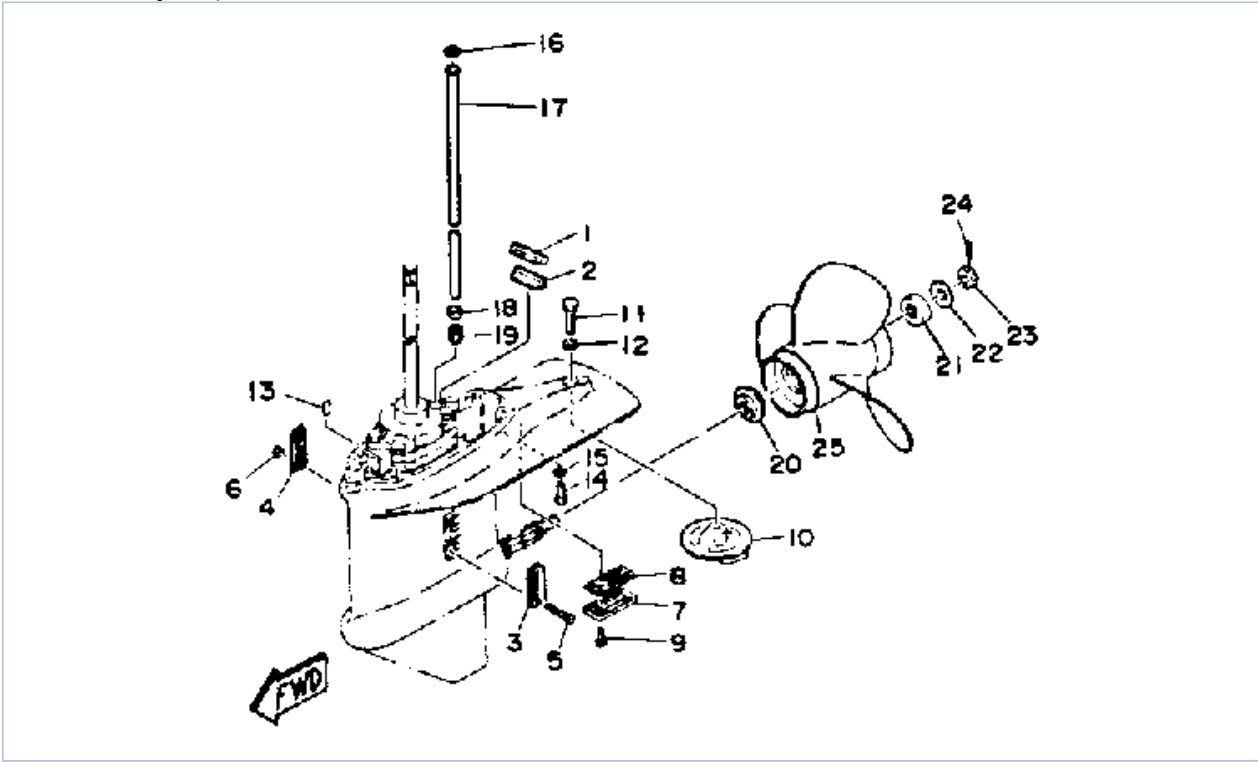
## Part Notes

C40ELRQ 1992 / LOWER DRIVE 1

PART NUMBER		NOTE TEXT
90430-08020-00		OEM: This part number is among the Top 100 Most Popular Marine Maintenance Parts as of March 2014.
92990-06600-00		OEM: This part number is among the Top 100 Most Popular Marine Maintenance Parts as of March 2014.

©2014 Yamaha Motor Corporation, U.S.A. All rights reserved.

C40ELRQ 1992 / LOWER DRIVE 2



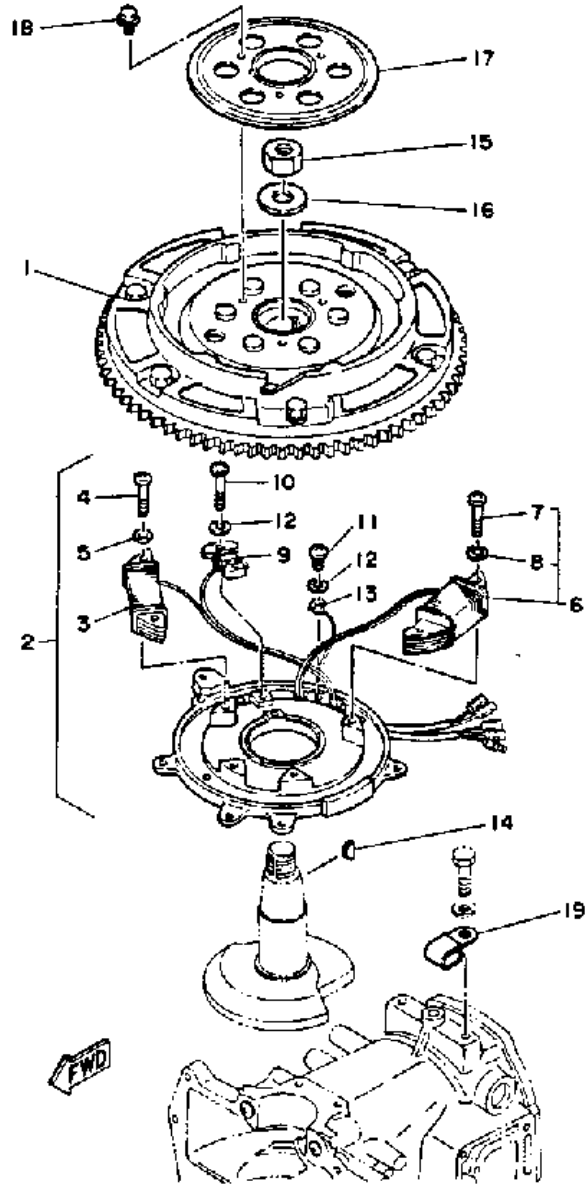
©2014 Yamaha Motor Corporation, U.S.A. All rights reserved.

## Part List

C40ELRQ 1992 / LOWER DRIVE 2

REF - NO	PART NUMBER	PART NAME	QUANTITY	REMARKS
1	663-45375-00-00	DAMPER, SEAL	1	
2	663-45376-00-94	GUIDE, SEAL DAMPER	1	
3	688-45214-02-00	COVER, WATER INLET 1	1	
4	688-45215-02-00	COVER, WATER INLET 2	1	
5	98680-05535-00	SCREW, OVAL HEAD	1	
6	90185-05002-00	NUT, NYLON	1	
7	679-45321-01-00	PLATE	1	
8	679-45315-A0-00	PACKING, LOWER CASING	1	
9	98580-06016-00	SCREW, PAN HEAD	2	
10	679-45371-00-00	TAB-TRIM	1	
11	97395-10030-00	BOLT, HEXAGON	1	
12	92990-10100-00	WASHER, SPRING	1	
13	93606-12019-00	.PIN, DOWEL	2	
14	97395-08030-00	BOLT	6	
15	92990-08100-00	WASHER, SPRING	6	
16	90202-12060-00	WASHER, PLATE	1	
17	676-44361-10-00	TUBE, WATER	1	UR LONG
17	676-44361-00-00	TUBE, WATER	1	UR SHORT
18	90430-12072-00	GASKET	1	
19	663-44367-00-00	DAMPER, WATER SEAL 3	1	
20	663-45987-02-00	SPACER 1	1	
21	670-45997-02-00	SPACER	1	
22	92990-16200-00	WASHER, PLAIN	1	
23	90171-16011-00	NUT, CASTLE	1	
24	91490-30030-00	PIN, COTTER	1	
25	663-45970-60-98	PROPELLER (3X11-3/4"X12"-G)	1	UR
25	663-45972-60-98	PROPELLER (3X12"X11"-G)	1	UR
25	663-45974-60-98	PROPELLER (3X11-1/2"X13"-G)	1	UR
25	663-45976-00-98	PROPELLER (3X10-1/4"X15"-G)	1	UR
25	663-45978-00-98	PROPELLER (3X10-1/4"X16"-G)	1	UR
25	663-45930-00-98	PROPELLER (3X10-1/4"X14"-G)	1	UR
25	663-45958-01-EL	PROPELLER (3X11-1/4"X14"-G)	1	UR
25	663-45941-01-EL	PROPELLER (3X10-3/4"X17"-G)	1	UR
25	663-45956-01-EL	PROPELLER (3X12-1/4"X9"-G)	1	UR
25	6H5-45952-00-EL	PROPELLER (3X10-3/8X13"-G)	1	UR
25	663-45949-01-EL	PROPELLER (3X10-3/4"X16"-G)	1	UR
25	6H5-45943-00-EL	PROPELLER (3X10"X15"-G)	1	UR
25	6H5-45945-00-EL	PROPELLER (3X10-5/8X12"-G)	1	UR
25	663-45947-02-EL	PROPELLER (3X11-5/8"X11"-G)	1	UR

C40ELRQ 1992 / MAGNETO



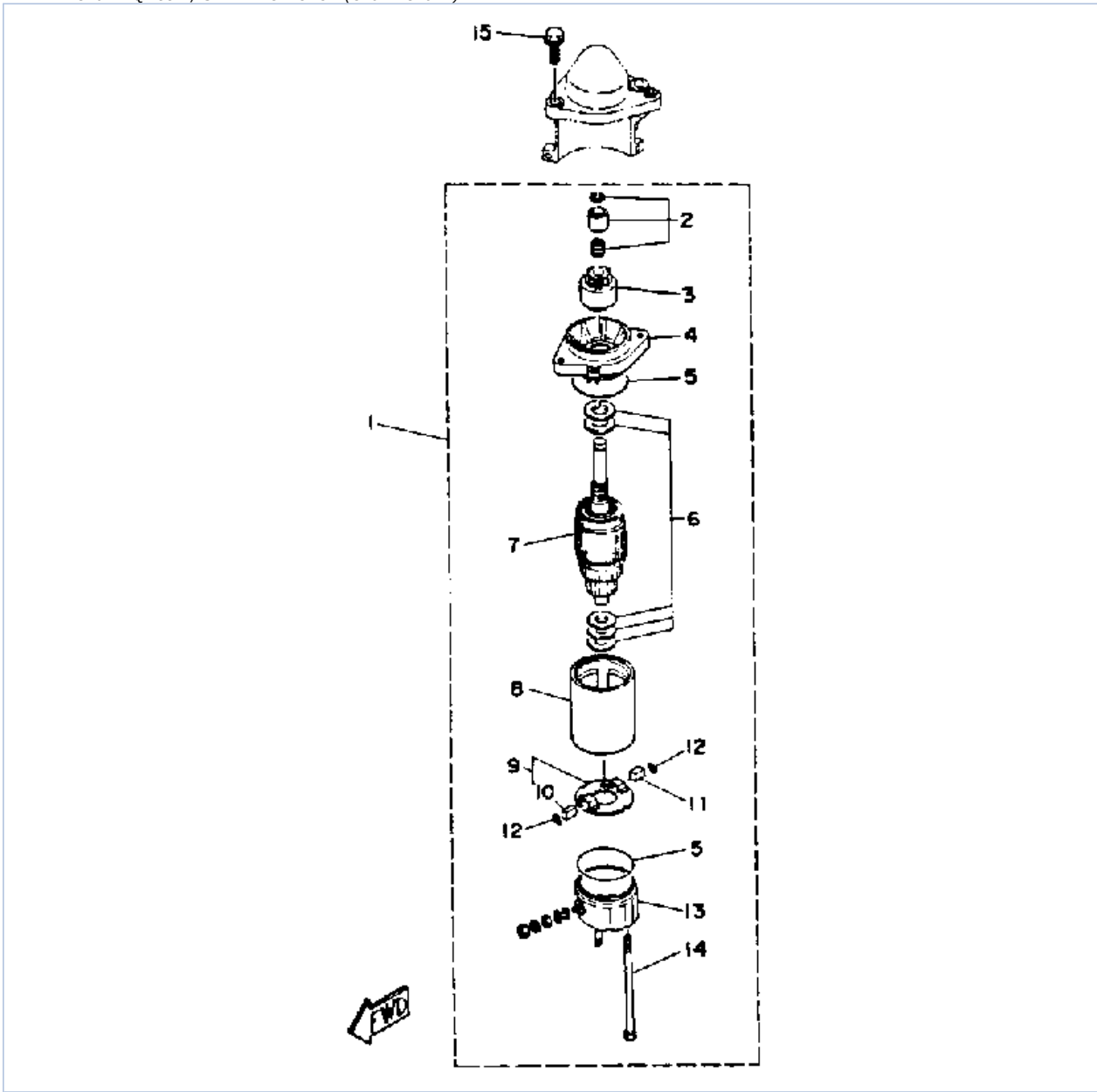
©2014 Yamaha Motor Corporation, U.S.A. All rights reserved.

## Part List

C40ELRQ 1992 / MAGNETO

REF - NO	PART NUMBER	PART NAME	QUANTITY	REMARKS
1	6A0-85550-A0-00	ROTOR ASSEMBLY	1	
2	6A0-85560-A2-00	BASE ASSEMBLY	1	
3	689-81311-40-00	.COIL, IGNITION 1	1	
4	98503-05025-00	.SCREW, PAN HEAD	2	
5	92990-05100-00	.WASHER, SPRING	2	
6	6A0-81303-A0-00	.LIGHTING COIL ASSEMBLY	1	
7	98503-05025-00	..SCREW, PAN HEAD	1	
8	92990-05100-00	..WASHER, SPRING	2	
9	689-85580-40-00	.COIL, PULSER	1	
10	98511-04025-00	.SCREW, PAN HEAD	2	
11	98511-04006-00	.SCREW, PAN HEAD (98502-04006)	1	
12	92901-04100-00	.WASHER, SPRING	3	
13	689-81315-40-00	.LEAD WIRE ASSEMBLY	1	
14	90280-05049-00	KEY, WOODRUFF	1	
15	90170-20137-00	NUT	1	
16	90201-21M18-00	WASHER, PLATE	1	
17	6A0-81362-00-00	COVER, HOLE	1	
18	90105-08M10-00	BOLT, FLANGE	3	
19	90465-08M29-00	CLAMP	1	

C40ELRQ 1992 / STARTING MOTOR (C40ER C40PR)



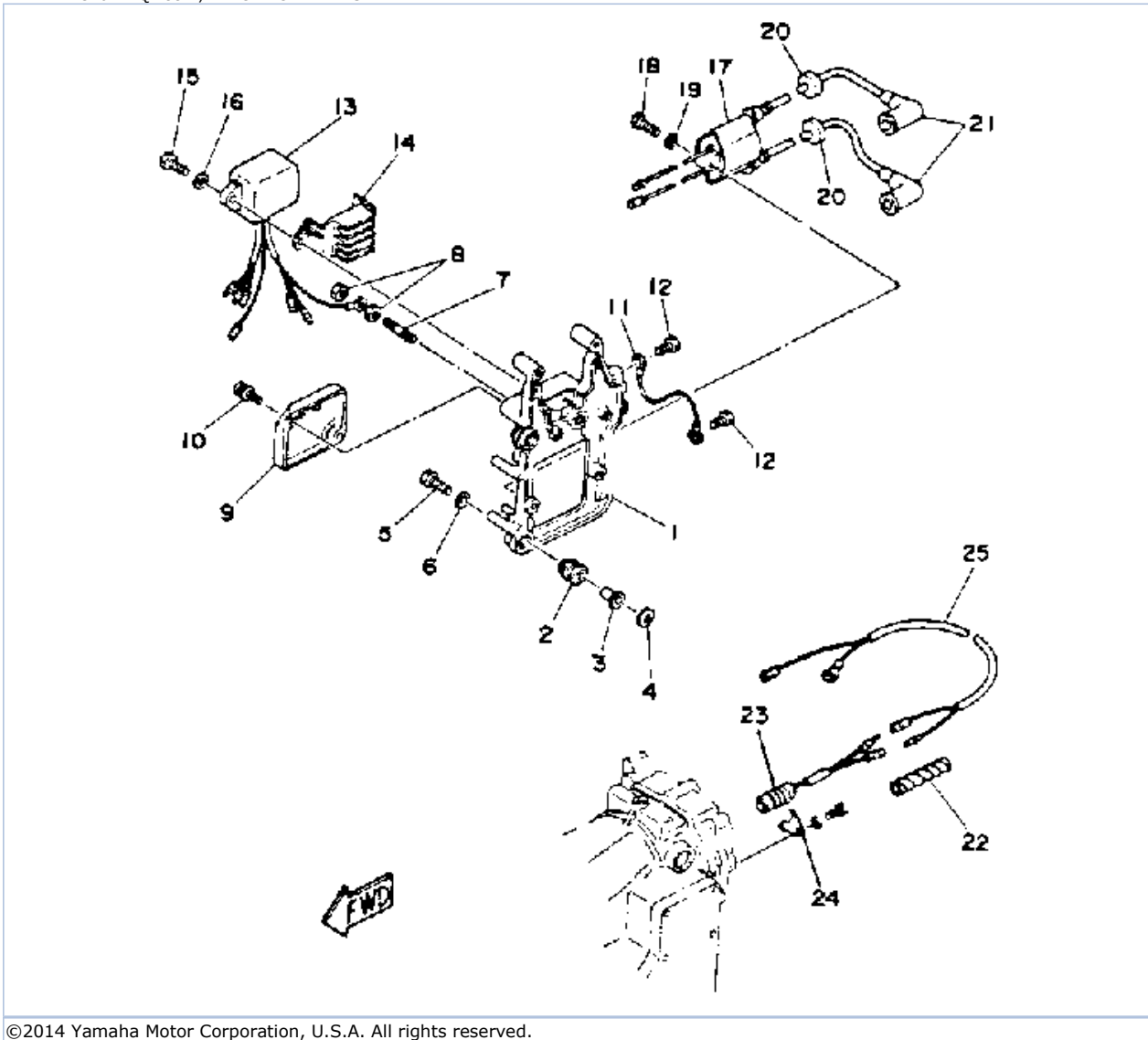
©2014 Yamaha Motor Corporation, U.S.A. All rights reserved.

## Part List

C40ELRQ 1992 / STARTING MOTOR (C40ER C40PR)

REF - NO	PART NUMBER	PART NAME	QUANTITY	REMARKS
1	689-81800-13-00	STARTING MOTOR ASSEMBLY	1	
2	689-81857-11-00	.PINION STOPPER SET	1	
3	689-81807-12-00	.GEAR ASSY, STARTING MOTOR	1	
4	689-81830-11-00	.FRONT BRACKET ASSEMBLY	1	
5	689-81847-11-00	.O-RING	2	
6	689-81809-11-00	.WASHER KIT	1	
7	689-81850-12-00	.ARMATURE ASSY	1	
8	689-81810-11-00	.STATOR ASSY	1	
9	689-81840-11-00	.BRUSH HOLDER ASSY	1	
10	689-81812-11-00	..BRUSH 2	1	
11	689-81811-11-00	.BRUSH 1	1	
12	689-81813-10-00	.SPRING, BRUSH	2	
13	689-81820-11-00	.REAR BRACKET ASSY	1	
14	689-81826-10-00	.BOLT	2	
15	90105-08M22-00	BOLT, FLANGE	2	

C40ELRQ 1992 / ELECTRICAL PARTS 1



©2014 Yamaha Motor Corporation, U.S.A. All rights reserved.






## Part List

C40ELRQ 1992 / ELECTRICAL PARTS 1

REF - NO	PART NUMBER	PART NAME	QUANTITY	REMARKS
1	6R6-85542-00-94	BRACKET	1	
2	6A0-82317-00-00	DAMPER, IGNITION COIL	3	
3	624-42542-00-00	PIPE	3	
4	90201-06M05-00	WASHER, PLATE	3	
5	97313-06030-00	BOLT	3	
6	92990-06600-00	WASHER, PLATE	3	
7	90116-06M07-00	BOLT, STUD	1	
8	95380-06600-00	NUT, HEXAGON	2	
9	6A0-81916-00-00	COVER, TERMINAL	1	
10	97985-05216-00	SCREW, WITH WASHER	2	
11	662-82519-00-00	WIRE, EARTH LEAD	1	
12	97395-06012-00	BOLT	2	
13	689-85540-20-00	C.D.I. UNIT ASSEMBLY	1	
14	6A0-85548-00-00	HOLDER	1	
15	97395-06025-00	BOLT	2	
16	92990-06600-00	WASHER, PLATE	2	
17	689-85570-20-00	IGNITION COIL ASSEMBLY	1	
18	97395-06025-00	BOLT	2	
19	92990-06600-00	WASHER, PLATE	2	
20	90480-25161-00	GROMMET	2	
21	663-82370-01-00	PLUG CAP ASSY	2	
22	90446-10M01-00	HOSE (L60)	1	C40ER/PR
23	6E9-82560-00-00	THERMOSWITCH ASSEMBLY	1	C40ER/PR
24	6E9-82588-00-00	PLATE	1	C40ER/PR
25	6R6-82531-00-00	WIRE, LEAD	1	C40ER/PR

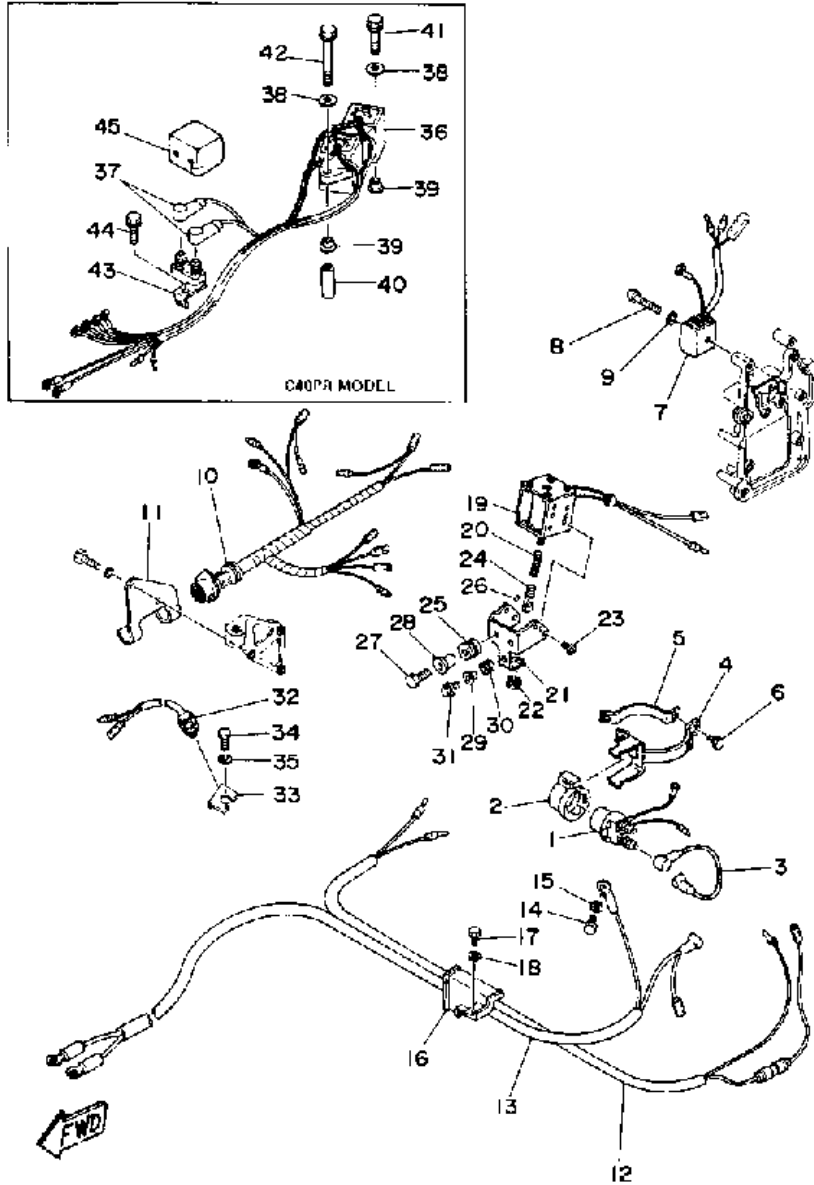
## Part Notes

C40ELRQ 1992 / ELECTRICAL PARTS 1

PART NUMBER		NOTE TEXT
92990-06600-00		OEM: This part number is among the Top 100 Most Popular Marine Maintenance Parts as of March 2014.
92990-06600-00		OEM: This part number is among the Top 100 Most Popular Marine Maintenance Parts as of March 2014.
92990-06600-00		OEM: This part number is among the Top 100 Most Popular Marine Maintenance Parts as of March 2014.

©2014 Yamaha Motor Corporation, U.S.A. All rights reserved.

C40ELRQ 1992 / ELECTRICAL PARTS 2 (C40ER C40PR)



©2014 Yamaha Motor Corporation, U.S.A. All rights reserved.


## Part List

C40ELRQ 1992 / ELECTRICAL PARTS 2 (C40ER C40PR)

REF - NO	PART NUMBER	PART NAME	QUANTITY	REMARKS
1	6G1-81941-10-00	STARTER RELAY ASSY	1	
2	6G1-81952-00-00	HOLDER, RELAY	1	
3	6E9-82117-00-00	WIRE, LEAD	1	
4	6E9-81945-01-00	PLATE, SWITCH FITTING	1	
5	6E9-81953-00-00	STAY, RELAY	1	
6	97313-06016-00	BOLT, HEXAGON	2	
7	664-81970-61-00	RECTIFIER ASSEMBLY	1	
8	98503-05025-00	SCREW, PAN HEAD	1	
9	92990-05600-00	WASHER, PLATE	1	
10	6E9-82590-20-00	WIRE HARNESS ASSEMBLY	1	UR C40PR
10	6E9-82590-11-00	WIRE HARNESS ASSEMBLY	1	UR C40ER
11	6E9-82594-00-00	CLAMP	1	UR C40PR
11	6A0-82594-01-00	CLAMP	1	UR C40ER
12	6E9-81971-00-00	WIRE, LEAD	1	
13	6E9-82105-10-00	BATTERY CABLE	1	
14	97380-08012-00	BOLT	1	
15	92990-08100-00	WASHER, SPRING	1	
16	6A0-82362-00-00	CLAMP, CORD 2	1	
17	97013-06012-00	BOLT	1	
18	92990-06600-00	WASHER, PLATE	1	
19	6E9-86111-01-00	COIL, SOLENOID	1	
20	682-86116-00-00	WIRE, PULL	1	
21	6E9-86112-00-00	STAY, SOLENOID	1	
22	90480-10155-00	GROMMET	1	
23	98580-05008-00	.SCREW, PAN HEAD	4	
24	682-86117-00-00	HOOK, WIRE PULL	1	
25	6A0-82317-00-00	DAMPER, IGNITION COIL	2	
26	93210-03261-00	O-RING	1	
27	97395-06025-00	BOLT	2	
28	624-42542-00-00	PIPE	2	
29	90387-06M43-00	COLLAR	1	
30	90480-13M24-00	GROMMET	1	
31	95895-06016-00	BOLT, FLANGE	1	
32	689-82540-01-00	NEUTRAL SWITCH ASSEMBLY	1	
33	6E9-82554-00-00	STAY, NEUTRAL SWITCH	1	
34	97313-06016-00	BOLT, HEXAGON	1	
35	92995-06100-00	WASHER, SPRING	1	
36	6E9-81950-11-00	RELAY ASSEMBLY	1	40PR
37	682-82119-01-00	COVER, LEAD WIRE	2	40PR
38	92990-06200-00	WASHER, PLAIN	2	40PR
39	90387-06M70-00	COLLAR	2	40PR
40	90387-06M08-00	COLLAR	1	40PR
41	97313-06020-00	BOLT, HEXAGON	1	40PR
42	97313-06065-00	BOLT, HEXAGON	1	40PR
43	6H5-81920-00-00	TERMINAL ASSY	1	40PR
44	97395-06012-00	BOLT	1	40PR
45	6E9-82164-00-00	CASE 2	1	40PR

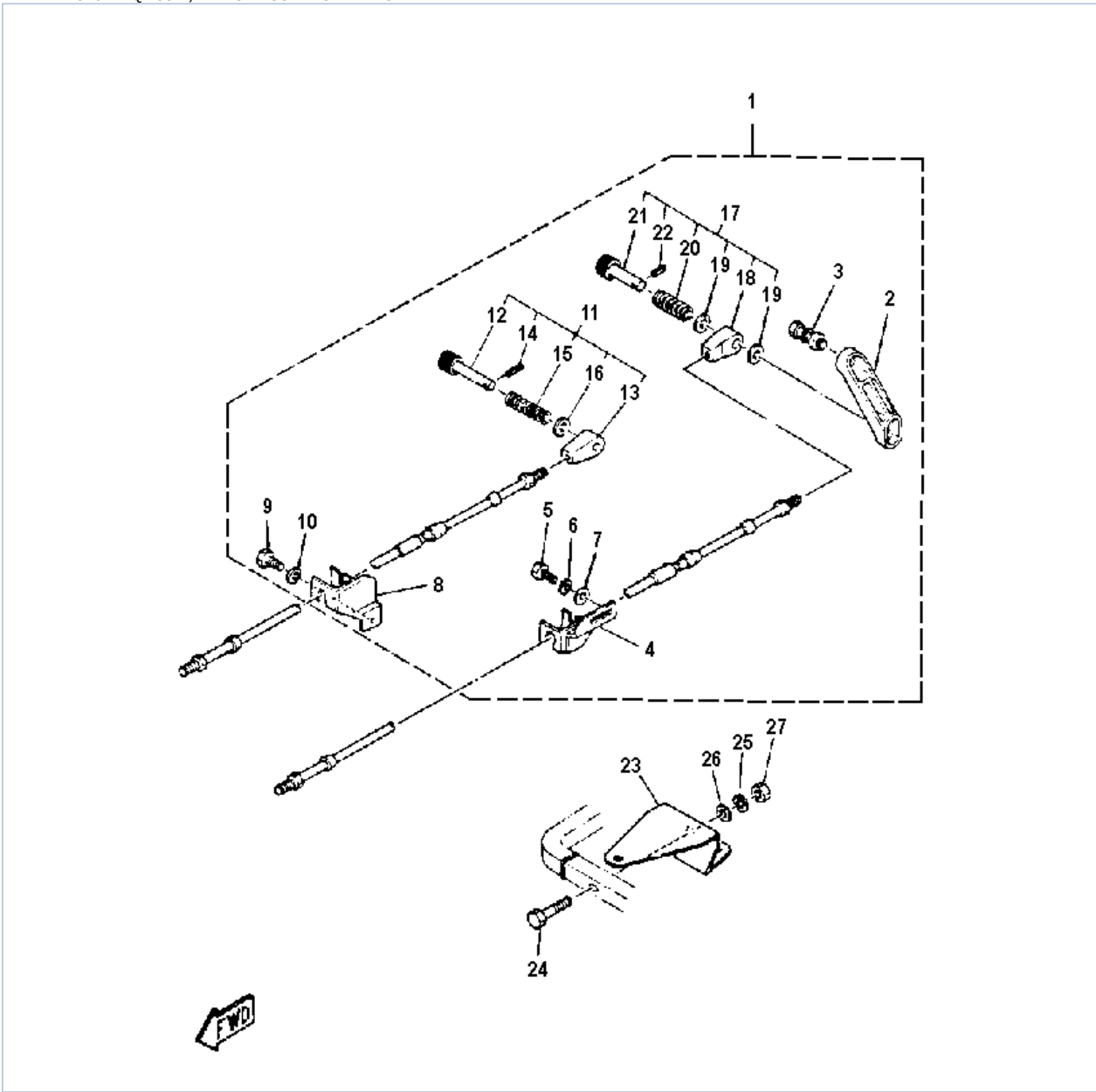
## Part Notes

C40ELRQ 1992 / ELECTRICAL PARTS 2 (C40ER C40PR)

PART NUMBER	NOTE TEXT
92990-06600-00 	OEM: This part number is among the Top 100 Most Popular Marine Maintenance Parts as of March 2014.

©2014 Yamaha Motor Corporation, U.S.A. All rights reserved.

C40ELRQ 1992 / REMOTE CONTROL ATTACHMENT



©2014 Yamaha Motor Corporation, U.S.A. All rights reserved.


## Part List

C40ELRQ 1992 / REMOTE CONTROL ATTACHMENT

REF - NO	PART NUMBER	PART NAME	QUANTITY	REMARKS
1	6R6-48501-00-00	REMOTE CONTROL ATTACHMENT ASSEMBLY	1	
2	676-48534-00-EK	.THROTTLE LEVER, CONTROL	1	
3	90119-06M58-00	.BOLT, WITH WASHER	1	
4	679-48532-00-00	.BRACKET, REMOTE CONTROL 2	1	
5	97395-06016-00	.BOLT, HEX	1	
6	92995-06100-00	.WASHER, SPRING	1	
7	92990-06200-00	.WASHER, PLAIN	1	
8	676-48531-00-00	.BRACKET, REMOTE CONTROL 1	1	
9	97395-06016-00	.BOLT, HEX	1	
10	92995-06100-00	.WASHER, SPRING	1	
11	648-48330-50-00	.CABLE END ASSY	1	
12	617-48331-91-00	..HOOK, CABLE	1	
13	648-48346-50-00	..CABLE END, REMOTE CONTROL	1	
14	91690-30012-00	..PIN, SPRING	1	
15	90501-10071-00	..SPRING, COMPRESSION	1	
16	92990-08600-00	..WASHER, PLATE	1	
17	648-48340-50-00	.CABLE END ASSY	1	
18	617-48346-90-00	..CABLE END, REMOTE CONTROL	1	
19	92990-08600-00	..WASHER, PLATE	2	
20	90501-10264-00	..SPRING, COMPRESSION	1	
21	617-48361-91-00	..HOOK, CABLE	1	
22	91690-30012-00	..PIN, SPRING	1	
23	689-48511-01-00	HOOK, STEERING	1	
24	97395-10040-00	BOLT	1	
25	92990-10100-00	WASHER, SPRING	1	
26	92990-10600-00	WASHER, PLATE	1	
27	95380-10600-00	NUT	1	

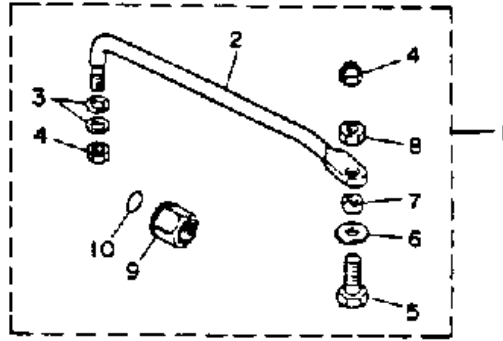
## Part Notes

C40ELRQ 1992 / REMOTE CONTROL ATTACHMENT

PART NUMBER	NOTE TEXT
92990-10600-00 	OEM: This part number is among the Top 100 Most Popular Marine Maintenance Parts as of March 2014.

©2014 Yamaha Motor Corporation, U.S.A. All rights reserved.

C40ELRQ 1992 / STEERING GUIDE ATTACHMENT



©2014 Yamaha Motor Corporation, U.S.A. All rights reserved.

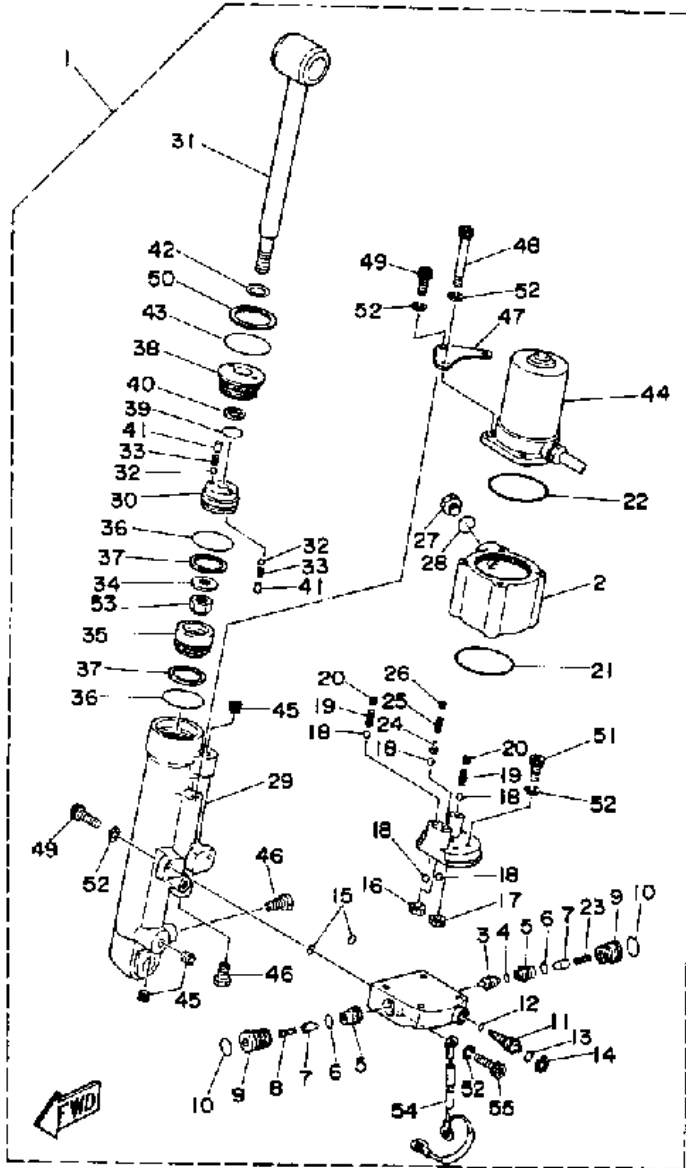
## Part List

C40ELRQ 1992 / STEERING GUIDE ATTACHMENT

REF - NO	PART NUMBER	PART NAME	QUANTITY	REMARKS
1	689-61350-02-00	STEERING GUIDE ATTACHMENT KIT	1	
2	689-61351-01-00	.ROD, STEERING LINK	1	
3	90201-10M20-00	.WASHER, PLATE	2	
4	90185-09M01-00	.NUT, SELF-LOCKING	2	
5	6E5-61355-00-00	.BOLT	1	
6	90201-10M63-00	.WASHER, PLATE	1	
7	90387-10M42-00	.COLLAR	1	
8	90170-09M03-00	.NUT	1	
9	6E5-43145-00-00	.CAP, CLAMP BRACKET	1	
10	93210-16275-00	.O-RING	1	



C40ELRQ 1992 / POWER TILT ASSEMBLY



©2014 Yamaha Motor Corporation, U.S.A. All rights reserved.

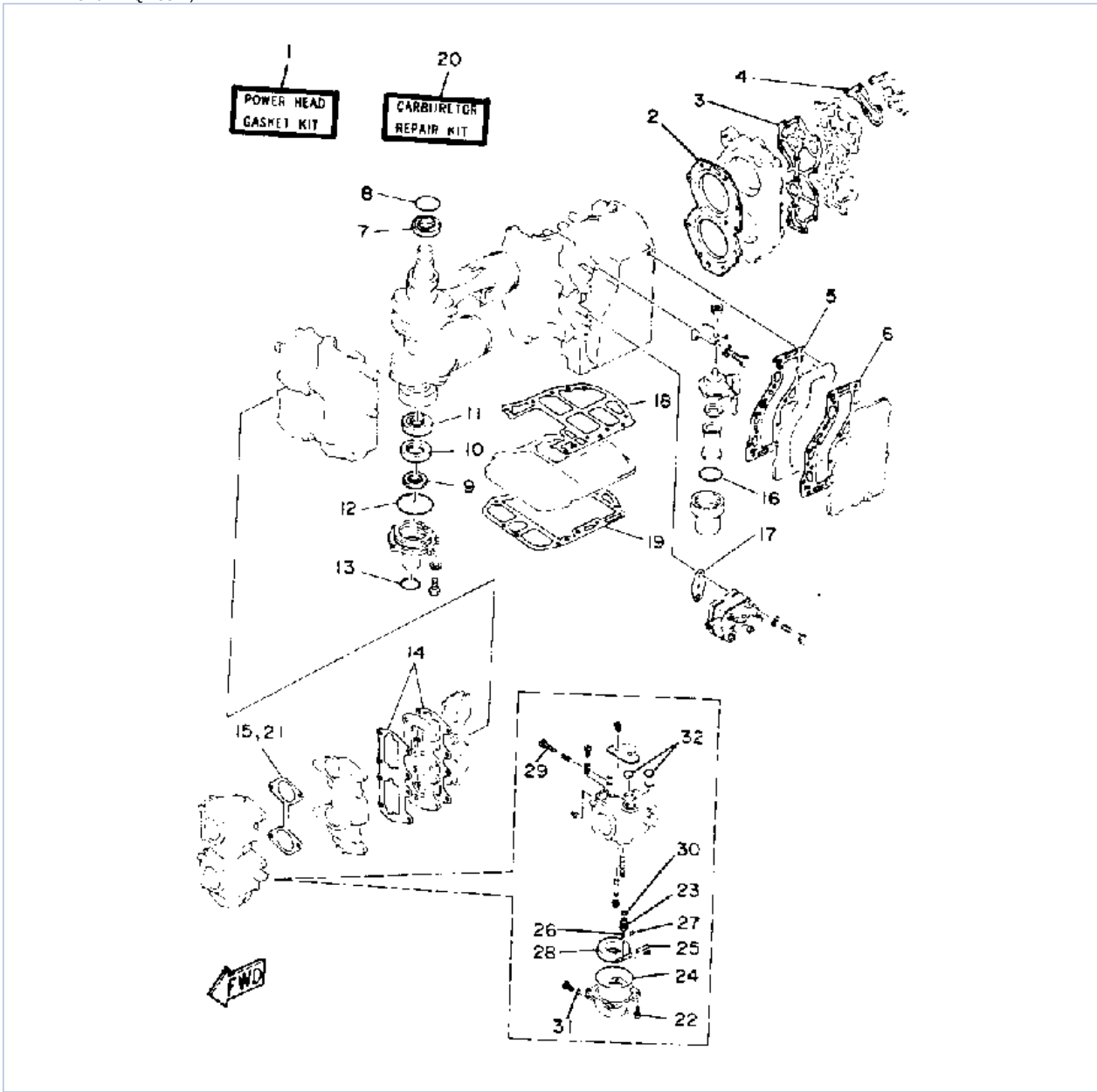
## Part List

C40ELRQ 1992 / POWER TILT ASSEMBLY

REF - NO	PART NUMBER	PART NAME	QUANTITY	REMARKS
1	6H5-43840-04-EK	POWER TILT ASSEMBLY	1	
2	6H5-43828-00-00	.BODY, RESERVOIR	1	
3	6H5-43841-00-00	.PISTON, SHUTTLE	1	
4	6H5-43861-00-00	.O-RING	1	
5	6H5-43891-00-00	.BUSHING 1	2	
6	6H5-43862-00-00	.O-RING	2	
7	6H5-43849-00-00	.PIN, VALVE SUPPORT	2	
8	6H5-43853-00-00	.SPRING, MAIN VALVE	1	
9	6H5-4382E-00-00	.ADAPTOR 2	2	
10	6H5-43863-00-00	.O-RING	2	
11	6H5-43846-02-00	.SCREW, MANUAL VALVE SEAT	1	
12	6H5-43864-00-00	.O-RING	1	
13	6H5-43865-00-00	.O-RING	1	
14	6H5-43875-00-00	.RING, SNAP	1	
15	6H5-43866-00-00	.O-RING	2	
16	6H5-43837-00-00	.GEAR, DRIVEN	1	
17	6H5-43836-00-00	.GEAR, DRIVE	1	
18	6H5-43858-10-00	.BALL	5	
19	6H5-43856-00-00	.SPRING, DOWN RELIEF	2	
20	6H5-43844-00-00	.PIN, VALVE SUPPORT	2	
21	6H5-43867-00-00	.O-RING	1	
22	6H5-43868-00-00	.O-RING	1	
23	6H5-43853-10-00	.SPRING, MAIN VALVE	1	
24	6H5-43859-00-00	.PIN, VALVE SUPPORT	6	
25	6H5-43855-01-00	.SPRING, UP RELIEF	1	
26	6H5-4386F-00-00	.RING, STRAIGHT	1	
27	6H5-43829-00-00	.PLUG, RESERVOIR	1	
28	6H5-43865-00-00	.O-RING	1	
29	6H5-43813-00-00	.CYLINDER, TILT	1	
30	6H5-4385A-00-00	.PISTON, TILT	1	
31	6H5-43801-00-00	.ROD	1	
32	6H5-43858-00-00	.BALL	5	
33	6H5-43857-00-00	.SPRING, ABSORBER VALVE	5	
34	6H5-43893-00-00	.WASHER	1	
35	6H5-43814-00-00	.PISTON, FREE	1	
36	6H5-43883-00-00	.O-RING	2	
37	6H5-43871-00-00	.RING, BACK UP	2	
38	6H5-4381E-00-00	.BRACKET	1	
39	6H5-43896-00-00	.O-RING	1	
40	6H5-43873-00-00	.RING, BACK UP	1	
41	6H5-4381A-00-00	.SHAFT	5	
42	6H5-43812-00-00	.SEAL, DUST	1	
43	6H5-43897-00-00	.O-RING	1	
44	6H5-43880-01-00	.MOTOR ASSEMBLY	1	
45	6H5-43826-00-00	.PLUG, TAPER SCREW	3	
46	6H5-43811-00-00	.SCREW, CYLINDER END	2	
47	6H5-4381F-00-00	.BRACKET	1	
48	6H5-43887-00-00	.BOLT, THROUGH	4	
49	6H5-43886-00-00	.BOLT	3	
50	6H5-43872-00-00	.RING, BACK UP	1	
51	91316-06020-00	.BOLT	4	
52	92995-06100-00	.WASHER, SPRING	12	
53	95600-12100-00	.NUT, U	1	

54	(6G1-83127-00-00)	WIRE, LEAD 2	1	
55	6H5-4388A-00-00	.BOLT	1	

C40ELRQ 1992 / REPAIR KIT 1



©2014 Yamaha Motor Corporation, U.S.A. All rights reserved.


## Part List

C40ELRQ 1992 / REPAIR KIT 1

REF - NO	PART NUMBER	PART NAME	QUANTITY	REMARKS
1	6R6-W0001-01-00	POWER HEAD GASKET KIT	1	
2	676-11181-A0-00	.GASKET, CYLINDER HEAD 1	1	
3	6E9-11193-A0-00	.GASKET, HEAD COVER 1	1	
4	6E9-12414-A0-00	.GASKET, COVER	1	
5	676-41112-A0-00	.GASKET, EXHAUST INNER COVER	1	
6	6E9-41114-A0-00	.GASKET, EXHAUST OUTER COVER	1	
7	93102-32M07-00	.OIL SEAL	1	
8	93210-42159-00	.O-RING	1	
9	93101-16M36-00	.OIL SEAL	1	
10	93101-28M19-00	.OIL SEAL	1	
11	93102-28M08-00	.OIL SEAL	1	
12	93210-62269-00	.O-RING	1	
13	93210-22M02-00	.O-RING	1	
14	676-13646-A0-00	.GASKET, MANIFOLD 2	2	
15	6E9-14198-A0-00	.GASKET	1	
16	93210-37M25-00	.O-RING	1	
17	650-24431-A0-00	.GASKET, FUEL PUMP 1	1	
18	676-45113-A0-00	.GASKET, UPPER CASING	1	
19	676-45114-A0-00	.GASKET, UPPER CASING	1	
20	6E9-W0093-02-00	CARBURETOR REPAIR KIT	1	
21	6E9-14198-A0-00	.GASKET	1	
22	97980-04114-00	.SCREW, WITH WASHER	2	
23	6H3-14590-00-00	.NEEDLE VALVE ASSEMBLY	2	
24	676-14984-00-00	.GASKET, FLOAT CHAMBER	2	
25	688-14548-00-00	.PIN, FLOAT ARM	2	
26	676-14186-00-00	.PIN, FLOAT	2	
27	663-14159-00-00	.CLIP	2	
28	676-14985-01-00	.FLOAT	2	
29	692-14923-00-00	.SCREW, PILOT	2	
30	93210-04228-00	.O-RING	2	
31	93210-04230-00	.O-RING	2	
32	688-14126-00-00	.GASKET	4	

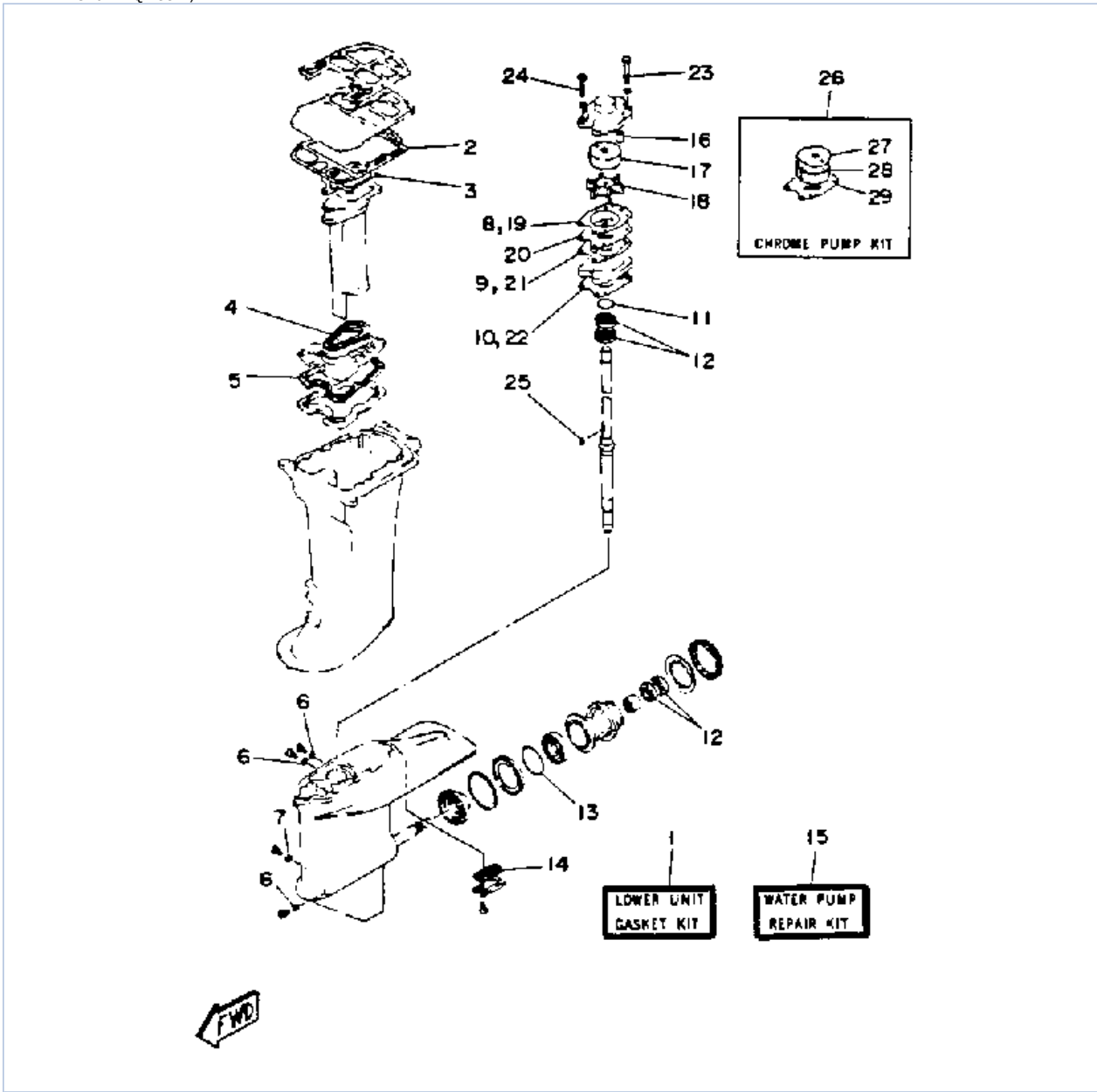
## Part Notes

C40ELRQ 1992 / REPAIR KIT 1

PART NUMBER	NOTE TEXT
650-24431-A0-00 	OEM: This part number is among the Top 100 Most Popular Marine Maintenance Parts as of March 2014.

©2014 Yamaha Motor Corporation, U.S.A. All rights reserved.

C40ELRQ 1992 / REPAIR KIT 2



©2014 Yamaha Motor Corporation, U.S.A. All rights reserved.


## Part List

C40ELRQ 1992 / REPAIR KIT 2

REF - NO	PART NUMBER	PART NAME	QUANTITY	REMARKS
1	6A0-W0001-21-00	LOWER UNIT GASKET KIT	1	
2	676-45114-A0-00	.GASKET, UPPER CASING	1	
3	676-41133-A0-00	.GASKET, EXHAUST MANIFOLD 1	1	
4	676-45127-00-00	.SEAL	1	
5	676-45128-00-00	.SEAL 2	1	
6	90430-08020-00	.GASKET	3	
7	90430-06M03-00	.GASKET	1	
8	676-44315-A0-00	.GASKET, WATER PUMP	1	
9	676-44324-A0-00	.GASKET, CARTRIDGE	1	
10	679-44316-A0-00	.GASKET, WATER PUMP	1	
11	93210-41042-00	.O-RING	1	
12	93101-22067-00	.OIL SEAL	4	
13	93210-66M98-00	.O-RING	1	
14	679-45315-A0-00	.PACKING, LOWER CASING	1	
15	679-W0078-01-00	WATER PUMP REPAIR KIT	1	
16	663-44366-00-00	.DAMPER, WATER SEAL 2	1	
17	676-44322-00-00	.INSERT, CARTRIDGE	1	
18	6F5-44352-00-00	.IMPELLER	1	
19	676-44315-A0-00	.GASKET, WATER PUMP	1	
20	676-44323-00-00	.OUTER PLATE, CARTRIDGE	1	
21	676-44324-A0-00	.GASKET, CARTRIDGE	1	
22	679-44316-A0-00	.GASKET, WATER PUMP	1	
23	97395-08055-00	.BOLT	2	
24	97395-08045-00	.BOLT	2	
25	90280-04M00-00	.KEY, WOODRUFF	1	
26	676-W0078-0A-00	CHROME PUMP KIT	1	
27	676-44321-40-00	.INNER PLATE, CARTRIDGE	1	
28	676-44322-40-00	.INSERT, CARTRIDGE	1	
29	676-44323-40-00	.OUTER PLATE, CARTRIDGE	1	

## Part Notes

C40ELRQ 1992 / REPAIR KIT 2

PART NUMBER	NOTE TEXT
90430-08020-00 	OEM: This part number is among the Top 100 Most Popular Marine Maintenance Parts as of March 2014.

©2014 Yamaha Motor Corporation, U.S.A. All rights reserved.

©2014 Yamaha Motor Corporation, U.S.A. All rights reserved.