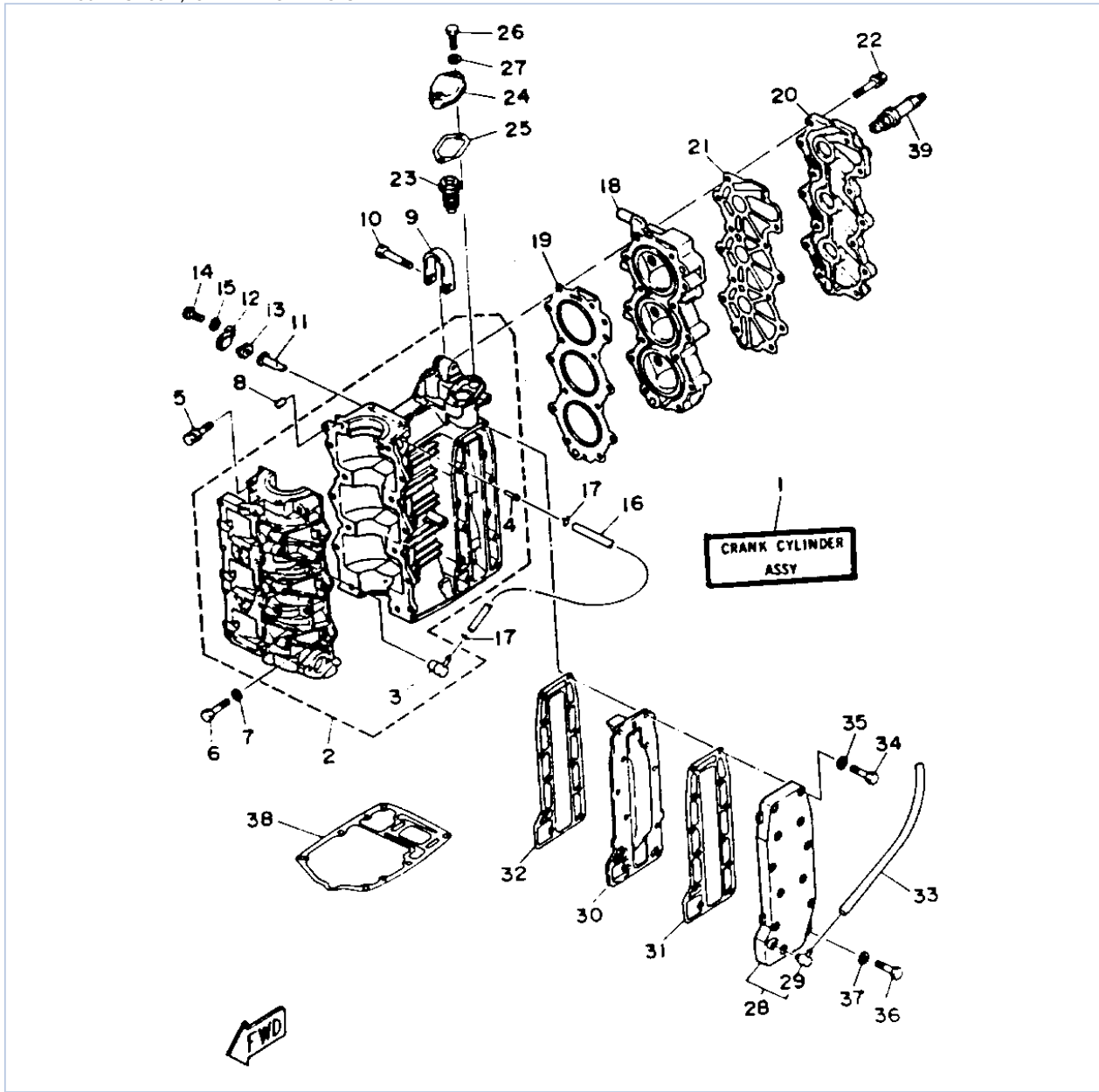


30ELHS 1994 / CYLINDER CRANKCASE



©2014 Yamaha Motor Corporation, U.S.A. All rights reserved.





## Part List

30ELHS 1994 / CYLINDER CRANKCASE

| REF<br>-<br>NO | PART<br>NUMBER  | PART NAME                       | QUANTITY | REMARKS |
|----------------|-----------------|---------------------------------|----------|---------|
| 1              | 6J8-W0090-42-EK | CRANK-CYLINDER.<br>ASSEMBLY     | 1        |         |
| 2              | 6J8-15100-11-94 | CRANKCASE ASSY                  | 1        |         |
| 3              | 650-11370-00-00 | .CHECK VALVE ASSY               | 1        |         |
| 4              | 624-14485-00-00 | .PIPE, JOINT                    | 1        |         |
| 5              | 90119-08M19-00  | BOLT, WITH WASHER               | 8        |         |
| 6              | 97313-06030-00  | BOLT                            | 6        |         |
| 7              | 92990-06600-00  | WASHER, PLATE                   | 6        |         |
| 8              | 93606-12019-00  | .PIN, DOWEL                     | 2        |         |
| 9              | 6F5-11119-00-00 | HANGER, ENGINE                  | 1        |         |
| 10             | 97313-08035-00  | BOLT                            | 1        |         |
| 11             | 6J8-11325-00-00 | ANODE                           | 2        |         |
| 12             | 6H3-11327-00-94 | COVER, ANODE                    | 2        |         |
| 13             | 6H3-11328-00-00 | GROMMET, ANODE                  | 2        |         |
| 14             | 97313-06016-00  | BOLT, HEXAGON                   | 2        |         |
| 15             | 92990-06600-00  | WASHER, PLATE                   | 2        |         |
| 16             | 90445-07M29-00  | HOSE (L135)                     | 1        |         |
| 17             | 90467-06016-00  | CLIP                            | 2        |         |
| 18             | 6J8-11111-00-94 | HEAD, CYLINDER 1                | 1        |         |
| 19             | 6J8-11181-A0-00 | GASKET, CYLINDER HEAD 1         | 1        |         |
| 20             | 6J8-11191-00-9M | COVER, CYLINDER HEAD 1          | 1        |         |
| 21             | 6J8-11193-A1-00 | .GASKET, HEAD COVER 1           | 1        |         |
| 22             | 90119-08M21-00  | BOLT, WITH WASHER               | 14       |         |
| 23             | 688-12411-10-00 | THERMOSTAT                      | 1        |         |
| 24             | 6H4-12413-00-9M | COVER, THERMOSTAT               | 1        |         |
| 25             | 6J8-12414-A0-00 | GASKET, COVER                   | 1        |         |
| 26             | 97313-06025-00  | BOLT                            | 2        |         |
| 27             | 92990-06600-00  | WASHER, PLATE                   | 2        |         |
| 28             | 6J8-41113-00-9M | OUTER COVER, EXHAUST            | 1        |         |
| 29             | 676-11372-00-00 | .NIPPLE, HOSE                   | 1        |         |
| 30             | 6J8-41111-00-9M | INNER COVER, EXHAUST            | 1        |         |
| 31             | 6J8-41114-A0-00 | .GASKET, EXHAUST OUTER<br>COVER | 1        |         |
| 32             | 6J8-41112-A0-00 | GASKET, EXHAUST INNER<br>COVER  | 1        |         |
| 33             | 6J8-1111J-00-00 | PIPE 1                          | 1        |         |
| 34             | 97013-06035-00  | BOLT                            | 11       |         |
| 35             | 92990-06600-00  | WASHER, PLATE                   | 11       |         |
| 36             | 97313-06025-00  | BOLT                            | 1        |         |
| 37             | 92990-06600-00  | WASHER, PLATE                   | 1        |         |
| 38             | 6J8-45113-A0-00 | .GASKET, UPPER CASING           | 1        |         |
| 39             | NGK-B7HS1-00-00 | PLUG, SPARK (NGK B7HS-<br>10)   | 3        |         |

## Part Notes

30ELHS 1994 / CYLINDER CRANKCASE

| PART NUMBER  | NOTE TEXT  |
|--|--|
| 92990-06600-00  | OEM: This part number is among the Top 100 Most Popular Marine Maintenance Parts as of March 2014. |
| 92990-06600-00  | OEM: This part number is among the Top 100 Most Popular Marine Maintenance Parts as of March 2014. |
| 92990-06600-00  | OEM: This part number is among the Top 100 Most Popular Marine Maintenance Parts as of March 2014. |
| 92990-06600-00  | OEM: This part number is among the Top 100 Most Popular Marine Maintenance Parts as of March 2014. |

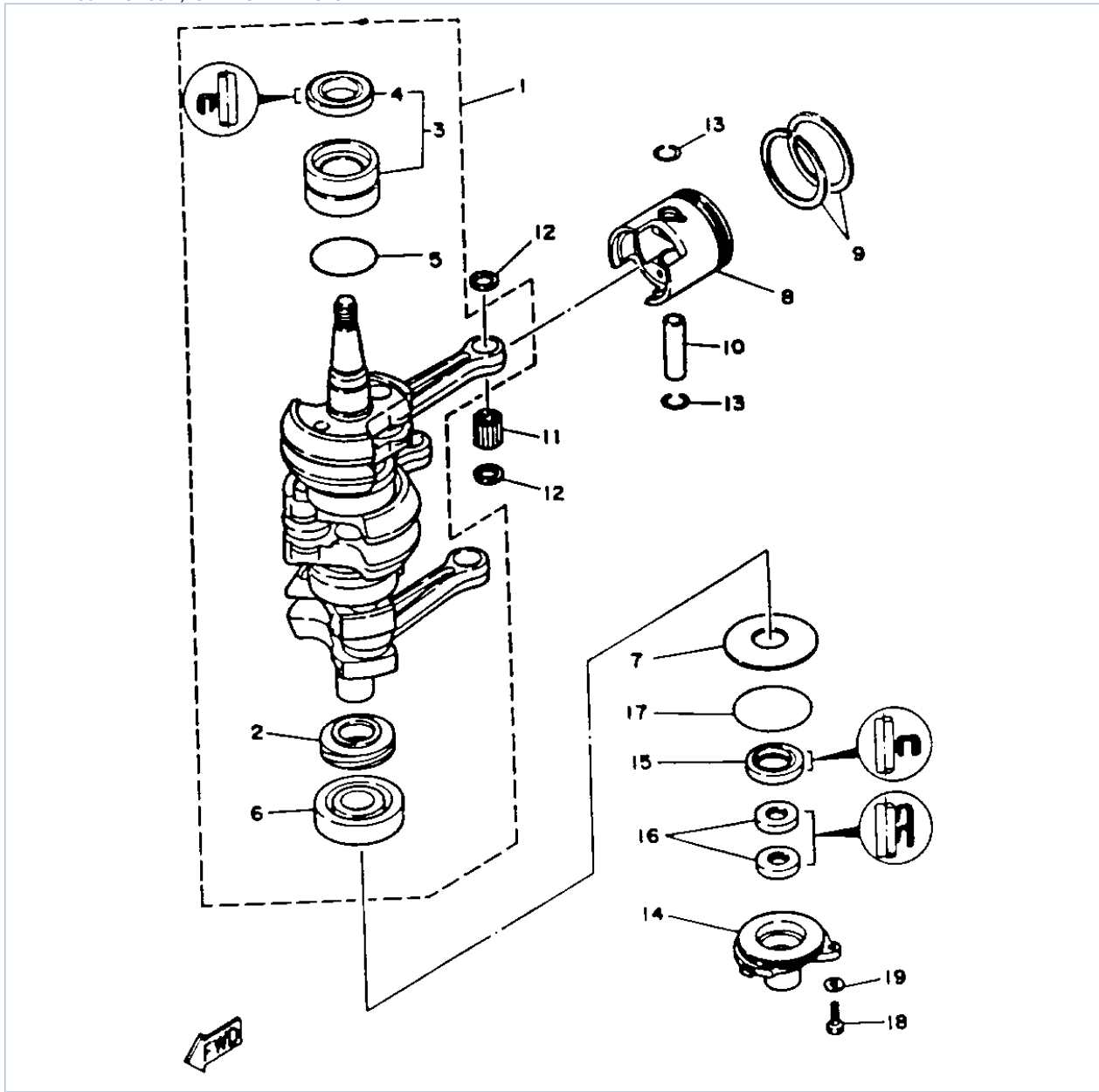
92990-06600-00



OEM: This part number is among the Top 100 Most Popular Marine Maintenance Parts as of March 2014.

©2014 Yamaha Motor Corporation, U.S.A. All rights reserved.

30ELHS 1994 / CRANKSHAFT PISTON



©2014 Yamaha Motor Corporation, U.S.A. All rights reserved.


## Part List

30ELHS 1994 / CRANKSHAFT PISTON

| REF<br>-<br>NO | PART<br>NUMBER  | PART NAME                        | QUANTITY | REMARKS |
|----------------|-----------------|----------------------------------|----------|---------|
| 1              | 6J8-11400-11-00 | CRANKSHAFT ASSY                  | 1        |         |
| 2              | 6J8-11536-00-00 | .GEAR, DRIVE                     | 1        |         |
| 3              | 93311-632U7-00  | .BEARING                         | 1        |         |
| 4              | 93102-26M27-00  | ..OIL SEAL                       | 1        |         |
| 5              | 93210-42159-00  | .O-RING                          | 1        |         |
| 6              | 93306-305U3-00  | .BEARING                         | 1        |         |
| 7              | 90201-50306-00  | WASHER, PLATE                    | 1        |         |
| 8              | 6J8-11636-02-00 | PISTON (0.50MM O.S.)             | 3        | AP      |
| 8              | 6J8-11631-02-97 | PISTON (STD)                     | 3        |         |
| 9              | 6J8-11601-01-00 | PISTON RING SET (STD)            | 3        |         |
| 9              | 6J8-11601-21-00 | PISTON RING SET (0.50MM<br>O.S.) | 3        | AP      |
| 10             | 6J8-11633-00-00 | PIN, PISTON                      | 3        |         |
| 11             | 93602-16M10-00  | PIN, DOWEL                       | 84       |         |
| 12             | 90201-16379-00  | WASHER, PLATE                    | 6        |         |
| 13             | 93450-17129-00  | CIRCLIP                          | 6        |         |
| 14             | 6J8-15396-00-5B | HOUSING, OIL SEAL                | 1        |         |
| 15             | 93101-25M28-00  | .OIL SEAL                        | 1        |         |
| 16             | 93101-16M36-00  | OIL SEAL                         | 2        |         |
| 17             | 93210-56M80-00  | .O-RING                          | 1        |         |
| 18             | 97313-06016-00  | BOLT, HEXAGON                    | 2        |         |
| 19             | 92990-06600-00  | WASHER, PLATE                    | 2        |         |

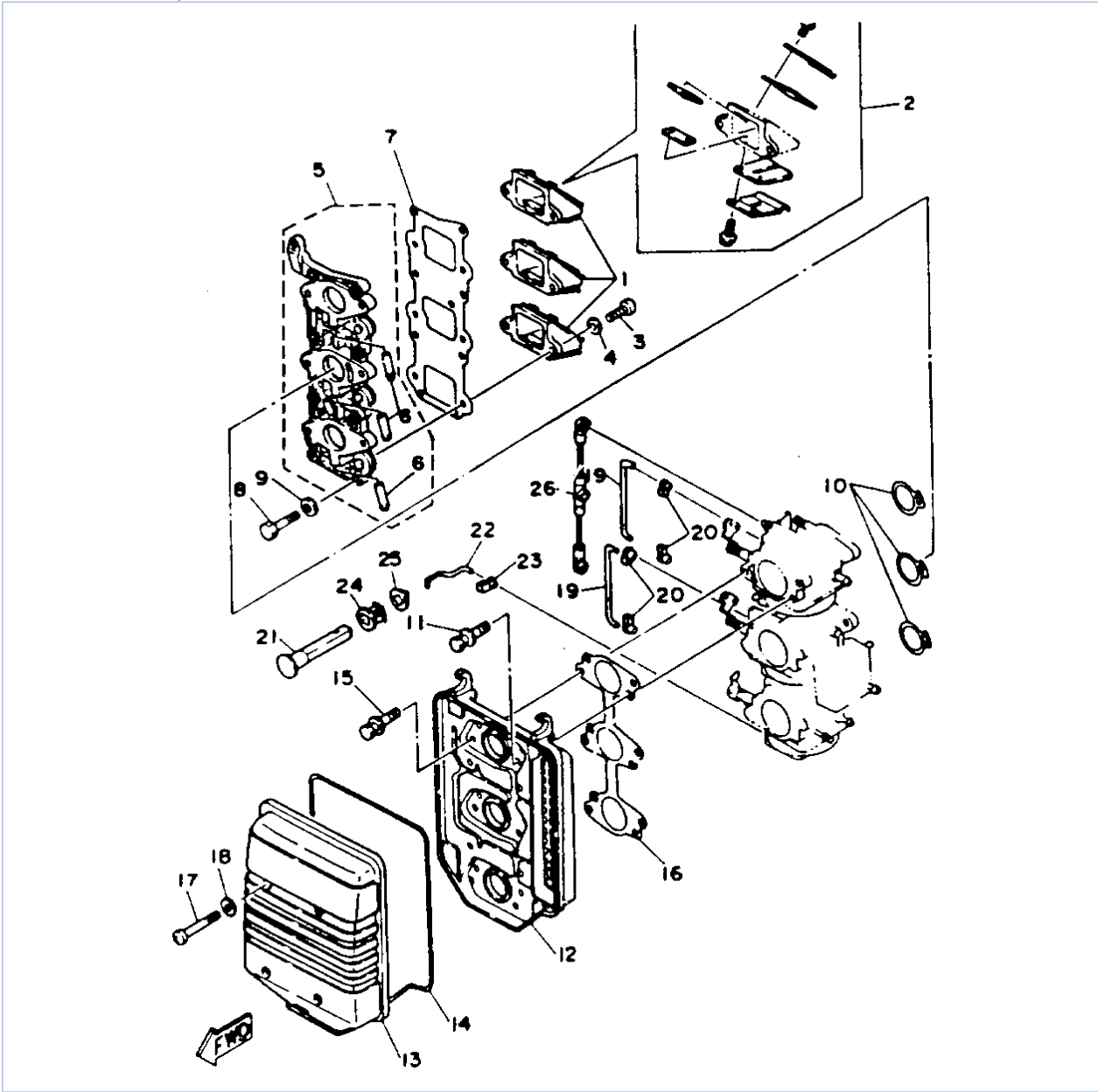
## Part Notes

30ELHS 1994 / CRANKSHAFT PISTON

| PART NUMBER  | NOTE TEXT  |
|--|--|
| 92990-06600-00  | OEM: This part number is among the Top 100 Most Popular Marine Maintenance Parts as of March 2014. |

©2014 Yamaha Motor Corporation, U.S.A. All rights reserved.

30ELHS 1994 / INTAKE



©2014 Yamaha Motor Corporation, U.S.A. All rights reserved.


## Part List

30ELHS 1994 / INTAKE

| REF<br>-<br>NO | PART<br>NUMBER  | PART NAME           | QUANTITY | REMARKS |
|----------------|-----------------|---------------------|----------|---------|
| 1              | 6J8-13610-00-00 | REED VALVE ASSY     | 3        |         |
| 2              | 6J8-W0004-00-00 | .REED SET           | 1        |         |
| 3              | 98580-05016-00  | SCREW, PAN HEAD     | 6        |         |
| 4              | 92990-05600-00  | WASHER, PLATE       | 6        |         |
| 5              | 6J8-13641-10-94 | MANIFOLD 1          | 1        |         |
| 6              | 676-14485-00-00 | .PIPE, JOINT        | 3        |         |
| 7              | 6J8-13621-00-00 | .GASKET, VALVE SEAT | 1        |         |
| 8              | 97313-06025-00  | BOLT                | 8        |         |
| 9              | 92990-06600-00  | WASHER, PLATE       | 8        |         |
| 10             | 6J8-14198-00-00 | .GASKET             | 3        |         |
| 11             | 90119-06M32-00  | BOLT, WITH WASHER   | 6        |         |
| 12             | 6J8-14417-00-00 | COVER 1             | 1        |         |
| 13             | 6J8-14418-00-00 | COVER 2             | 1        |         |
| 14             | 6J8-14476-00-00 | SEAL                | 1        |         |
| 15             | 90119-05M31-00  | BOLT, WITH WASHER   | 6        |         |
| 16             | 6J8-14483-A1-00 | GASKET              | 1        |         |
| 17             | 98580-05540-00  | SCREW, PAN HEAD     | 4        |         |
| 18             | 92990-05600-00  | WASHER, PLATE       | 4        |         |
| 19             | 6J8-41259-00-00 | ROD, CHOKE 3        | 2        |         |
| 20             | 661-41262-02-00 | JOINT, CHOKE LEVER  | 4        |         |
| 21             | 6J8-41271-01-00 | KNOB, CHOKE         | 1        |         |
| 22             | 6J8-41257-00-00 | ROD, CHOKE 2        | 1        |         |
| 23             | 6J8-41262-00-00 | JOINT, CHOKE LEVER  | 1        |         |
| 24             | 689-41273-00-00 | GROMMET             | 1        |         |
| 25             | 6J8-41274-00-00 | GROMMET 2           | 1        |         |
| 26             | 6J8-41217-00-00 | ROD, ACCEL. LEVER   | 1        |         |

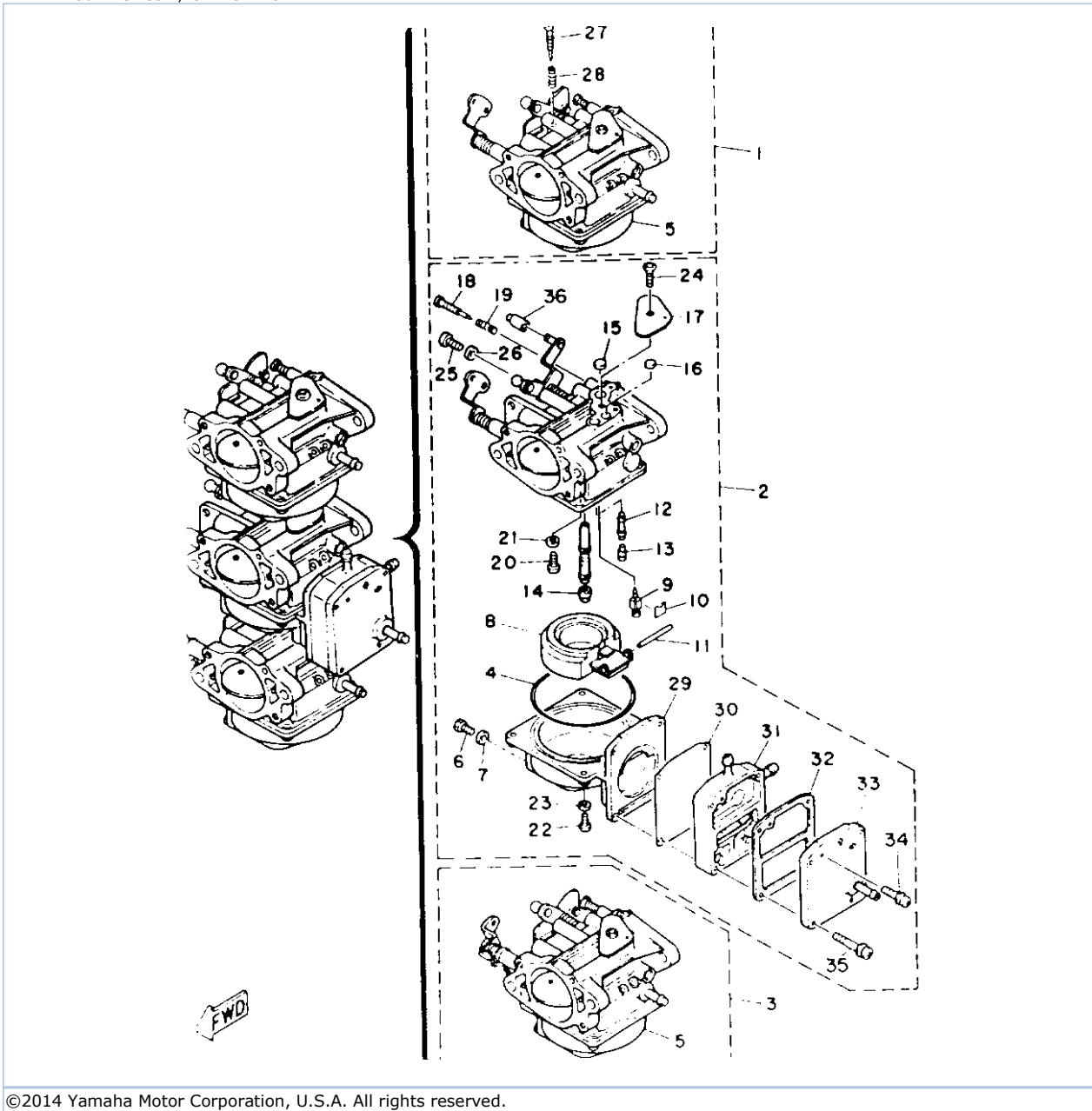
## Part Notes

30ELHS 1994 / INTAKE

| PART NUMBER  | NOTE TEXT  |
|--|--|
| 92990-06600-00  | OEM: This part number is among the Top 100 Most Popular Marine Maintenance Parts as of March 2014. |

©2014 Yamaha Motor Corporation, U.S.A. All rights reserved.

30ELHS 1994 / CARBURETOR



©2014 Yamaha Motor Corporation, U.S.A. All rights reserved.

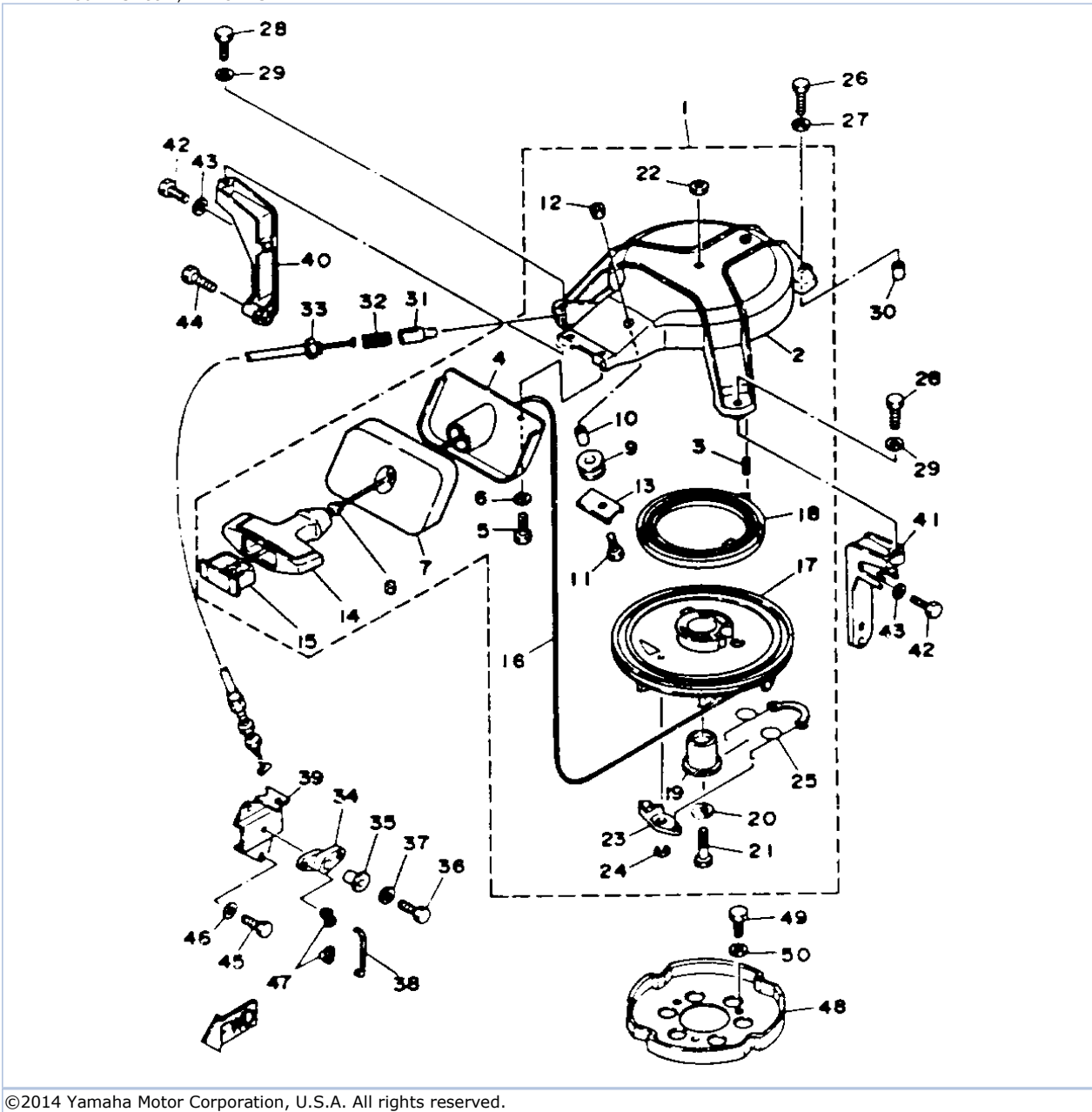


## Part List

30ELHS 1994 / CARBURETOR

| REF<br>-<br>NO | PART<br>NUMBER   | PART NAME              | QUANTITY | REMARKS |
|----------------|------------------|------------------------|----------|---------|
| 1              | 6J8-14301-11-00  | CARBURETOR ASSY 1      | 1        | UPPER   |
| 2              | 6J8-14302-01-00  | CARBURETOR ASSY 2      | 1        | CENTER  |
| 3              | 6J8-14303-01-00  | CARBURETOR ASSY 3      | 1        | LOWER   |
| 4              | 6J8-14984-00-00  | .GASKET, FLOAT CHAMBER | 3        |         |
| 5              | 6J8-14980-00-00  | .BODY, FLOAT CHAMBER   | 2        |         |
| 6              | 6E5-14383-01-00  | .SCREW, DRAIN          | 3        |         |
| 7              | 6J8-14995-00-00  | .GASKET                | 3        |         |
| 8              | 6J8-14985-00-00  | .FLOAT                 | 3        |         |
| 9              | 6E5-14546-00-00  | .VALVE, NEEDLE         | 3        |         |
| 10             | 6J8-14159-00-00  | .CLIP                  | 3        |         |
| 11             | 6J8-14548-00-00  | .PIN, FLOAT ARM        | 3        |         |
| 12             | 6J8-1492F-25-00  | .JET, AIR SLOW (#50)   | 3        |         |
| 13             | 6J8-14966-00-00  | .PLUG                  | 3        |         |
| 14             | 6J8-1492E-51-00  | .JET, MAIN (#102)      | 3        |         |
| 15             | 6J8-14126-00-00  | .PLUG                  | 3        |         |
| 16             | 6J8-14118-00-00  | .PLUG                  | 3        |         |
| 17             | 6J8-14527-01-00  | .PLATE                 | 3        |         |
| 18             | 6J8-14923-00-00  | .SCREW, PILOT          | 3        |         |
| 19             | 6J8-14555-00-00  | .SPRING                | 3        |         |
| 20             | 98580-04010-00   | .SCREW, PAN HEAD       | 3        |         |
| 21             | 92901-04100-00   | .WASHER, SPRING        | 3        |         |
| 22             | (97880-04012-00) | SCREW, PAN HEAD        | 12       |         |
| 23             | 92901-04100-00   | .WASHER, SPRING        | 12       |         |
| 24             | 98780-05008-00   | .SCREW, FLAT HEAD      | 3        |         |
| 25             | 6J8-14592-01-00  | .SCREW                 | 3        |         |
| 26             | 92990-05600-00   | .WASHER, PLATE         | 3        |         |
| 27             | 6J8-14523-00-00  | .SCREW, STOP           | 1        | UPPER   |
| 28             | 6J8-14334-00-00  | .SPRING, THROTTLE      | 1        | UPPER   |
| 29             | 6J8-14981-00-00  | .BODY, FLOAT CHAMBER   | 1        | CENTER  |
| 30             | 6J8-24471-00-00  | .DIAPHRAGM             | 1        |         |
| 31             | 6J8-24415-00-00  | .BODY 4                | 1        |         |
| 32             | 6J8-24432-00-00  | .GASKET, FUEL PUMP 2   | 1        |         |
| 33             | 6J8-24452-00-00  | .COVER                 | 1        |         |
| 34             | 97980-03122-00   | .SCREW, WITH WASHER    | 1        |         |
| 35             | 97980-04124-00   | .SCREW, WITH WASHER    | 4        |         |
| 36             | 6J8-14578-00-00  | .COLLAR                | 1        | CENTER  |

30ELHS 1994 / MANUAL STARTER









## Part List

30ELHS 1994 / MANUAL STARTER

| REF<br>-<br>NO | PART<br>NUMBER  | PART NAME                      | QUANTITY | REMARKS |
|----------------|-----------------|--------------------------------|----------|---------|
| 1              | 6J8-15710-01-00 | STARTER ASSEMBLY               | 1        |         |
| 2              | 6J8-15711-00-94 | .CASE, STARTER                 | 1        |         |
| 3              | 91690-40014-00  | .PIN, SPRING                   | 1        |         |
| 4              | 6J8-15758-00-94 | .GUIDE, ROPE (6J8-15758-00-4D) | 1        |         |
| 5              | 97395-06016-00  | .BOLT, HEX                     | 2        |         |
| 6              | 92990-06600-00  | .WASHER, PLATE                 | 2        |         |
| 7              | 6J8-15762-00-00 | .SEAL, RUBBER 2                | 1        |         |
| 8              | 6A0-15789-00-00 | .DAMPER                        | 1        |         |
| 9              | 6F5-15752-00-00 | .ROLLER, WIRE                  | 1        |         |
| 10             | 6F5-15753-00-00 | .BUSH                          | 1        |         |
| 11             | 97395-06025-00  | .BOLT                          | 1        |         |
| 12             | 95380-06600-00  | .NUT, HEXAGON                  | 1        |         |
| 13             | 6J8-15787-00-00 | .ADAPTOR                       | 1        |         |
| 14             | 689-15755-01-00 | .HANDLE, STARTER               | 1        |         |
| 15             | 6F5-15779-02-00 | .COVER                         | 1        |         |
| 16             | 90890-44373-00  | .ROPE, STARTER                 | 1        |         |
| 17             | 6J8-15714-00-00 | .DRUM, SHEAVE                  | 1        |         |
| 18             | 90510-08M04-00  | .SPRING, SPIRAL                | 1        |         |
| 19             | 677-15717-01-00 | .SHAFT, STARTER                | 1        |         |
| 20             | 90201-065F3-00  | .WASHER, PLATE                 | 1        |         |
| 21             | 97395-06025-00  | .BOLT                          | 1        |         |
| 22             | 95380-06700-00  | .NUT                           | 1        |         |
| 23             | 676-15741-03-00 | .PAWL, DRIVE                   | 1        |         |
| 24             | 93430-06M02-00  | .CIRCLIP                       | 1        |         |
| 25             | 6J8-15705-00-00 | .SPRING, DRIVE PAWL            | 1        |         |
| 26             | 97395-06035-00  | BOLT, HEXAGON                  | 1        |         |
| 27             | 92990-06600-00  | WASHER, PLATE                  | 1        |         |
| 28             | 97395-06025-00  | BOLT                           | 2        |         |
| 29             | 92990-06600-00  | WASHER, PLATE                  | 2        |         |
| 30             | 99530-10014-00  | PIN, DOWEL                     | 1        |         |
| 31             | 656-15748-00-00 | PLUNGER, STARTER STOP          | 1        |         |
| 32             | 90501-10227-00  | SPRING, COMPRESSION            | 1        |         |
| 33             | 6J8-15770-00-00 | CABLE COMP., STARTER STOP      | 1        |         |
| 34             | 6J8-15746-01-00 | ARM                            | 1        |         |
| 35             | 90387-06M29-00  | COLLAR                         | 1        |         |
| 36             | 97395-06025-00  | BOLT                           | 1        |         |
| 37             | 92990-06600-00  | WASHER, PLATE                  | 1        |         |
| 38             | 6J8-15747-00-00 | LINK                           | 1        |         |
| 39             | 6J8-15774-00-00 | STAY 4                         | 1        |         |
| 40             | 6J8-15771-00-94 | STAY 1                         | 1        |         |
| 41             | 6J8-15772-00-94 | STAY 2                         | 1        |         |
| 42             | 97313-06020-00  | BOLT, HEXAGON                  | 3        |         |
| 43             | 92990-06600-00  | WASHER, PLATE                  | 3        |         |
| 44             | 97313-06020-00  | BOLT, HEXAGON                  | 1        |         |
| 45             | 97395-06016-00  | BOLT, HEX                      | 2        |         |
| 46             | 92990-06600-00  | WASHER, PLATE                  | 2        |         |
| 47             | 661-41262-02-00 | JOINT, CHOKE LEVER             | 2        |         |
| 48             | 6J8-15723-00-00 | PULLEY, STARTER                | 1        |         |
| 49             | 97011-08016-00  | BOLT                           | 3        |         |
| 50             | 92990-08600-00  | ..WASHER, PLATE                | 3        |         |

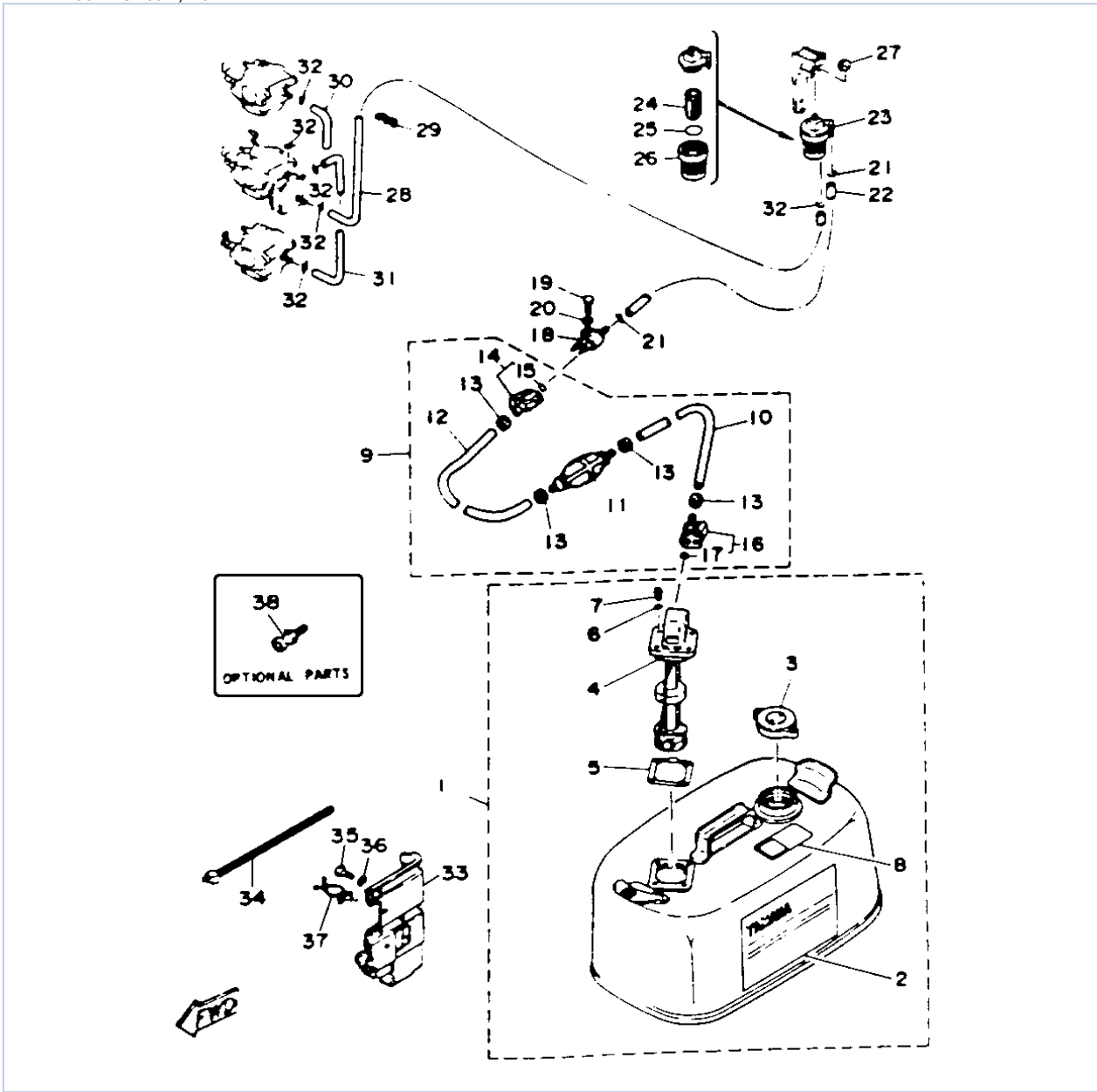
## Part Notes

30ELHS 1994 / MANUAL STARTER

| PART NUMBER    |   | NOTE TEXT  |
|----------------|---|--|
| 92990-06600-00 |  | OEM: This part number is among the Top 100 Most Popular Marine Maintenance Parts as of March 2014. |
| 92990-06600-00 |  | OEM: This part number is among the Top 100 Most Popular Marine Maintenance Parts as of March 2014. |
| 92990-06600-00 |  | OEM: This part number is among the Top 100 Most Popular Marine Maintenance Parts as of March 2014. |
| 92990-06600-00 |  | OEM: This part number is among the Top 100 Most Popular Marine Maintenance Parts as of March 2014. |
| 92990-06600-00 |  | OEM: This part number is among the Top 100 Most Popular Marine Maintenance Parts as of March 2014. |
| 92990-06600-00 |  | OEM: This part number is among the Top 100 Most Popular Marine Maintenance Parts as of March 2014. |

©2014 Yamaha Motor Corporation, U.S.A. All rights reserved.

30ELHS 1994 / FUEL TANK



©2014 Yamaha Motor Corporation, U.S.A. All rights reserved.


## Part List

30ELHS 1994 / FUEL TANK

| REF<br>-<br>NO | PART<br>NUMBER  | PART NAME               | QUANTITY | REMARKS |
|----------------|-----------------|-------------------------|----------|---------|
| 1              | 6Y1-W2420-42-24 | FUEL TANK ASSEMBLY      | 1        |         |
| 2              | 6Y1-24244-20-00 | .GRAPHIC, SIDE          | 1        |         |
| 3              | 6Y1-24610-00-00 | .CAP ASSEMBLY           | 1        |         |
| 4              | 6Y1-24260-02-00 | .FUEL METER ASSEMBLY    | 1        |         |
| 5              | 6Y1-24268-00-00 | .GASKET, FUEL METER     | 1        |         |
| 6              | 6Y1-24329-00-00 | .SEAL                   | 4        |         |
| 7              | 98586-05016-00  | .SCREW, PAN HEAD        | 4        |         |
| 8              | 6Y1-24256-50-00 | .GRAPHIC, FUEL TANK     | 1        |         |
| 9              | 6Y1-24306-51-00 | FUEL PIPE COMP. 1       | 1        |         |
| 10             | 90445-11M06-00  | .HOSE (L2050)           | 1        |         |
| 11             | 6Y1-24360-51-00 | .PRIMER PUMP ASSY       | 1        |         |
| 12             | 90445-11M05-00  | .HOSE (L850)            | 1        |         |
| 13             | 650-24351-51-00 | .BAND 1                 | 4        |         |
| 14             | 6G1-24305-01-00 | .FUEL PIPE JOINT COMP 2 | 1        |         |
| 15             | 93210-08287-00  | ..O-RING                | 1        |         |
| 16             | 6Y1-24305-02-00 | .FUEL PIPE JOINT COMP 2 | 1        |         |
| 17             | 93210-08287-00  | ..O-RING                | 1        |         |
| 18             | 6G1-24304-02-00 | FUEL PIPE JOINT COMP. 1 | 1        |         |
| 19             | 97395-06025-00  | BOLT                    | 1        |         |
| 20             | 92990-06600-00  | WASHER, PLATE           | 1        |         |
| 21             | 90467-08004-00  | CLIP                    | 2        |         |
| 22             | 90445-09M00-00  | HOSE (L180)             | 1        |         |
| 23             | 655-24560-01-00 | FILTER ASSEMBLY         | 1        |         |
| 24             | 6F5-24563-00-00 | .ELEMENT, FILTER        | 1        |         |
| 25             | 93210-37M25-00  | .O-RING                 | 1        |         |
| 26             | 655-24521-01-00 | .CUP, FILTER            | 1        |         |
| 27             | 90179-08M15-00  | NUT                     | 1        |         |
| 28             | 6E5-24312-00-00 | PIPE 2                  | 1        |         |
| 29             | 90464-09M21-00  | CLAMP                   | 1        |         |
| 30             | 688-24313-00-00 | PIPE 3                  | 1        |         |
| 31             | 6J8-24311-00-00 | PIPE, FUEL 1            | 1        |         |
| 32             | 90467-08004-00  | CLIP                    | 6        |         |
| 33             | 6J8-28170-00-00 | TOOL, HOLDER            | 1        |         |
| 34             | 6E1-42694-00-00 | BAND                    | 1        |         |
| 35             | 97395-08016-00  | BOLT                    | 2        |         |
| 36             | 92995-08600-00  | WASHER                  | 2        |         |
| 37             | 90464-12M17-00  | CLAMP                   | 6        |         |
| 38             | ABB-FLUSH-JD-00 | JET DRIVE FLUSH         | 1        | AP      |

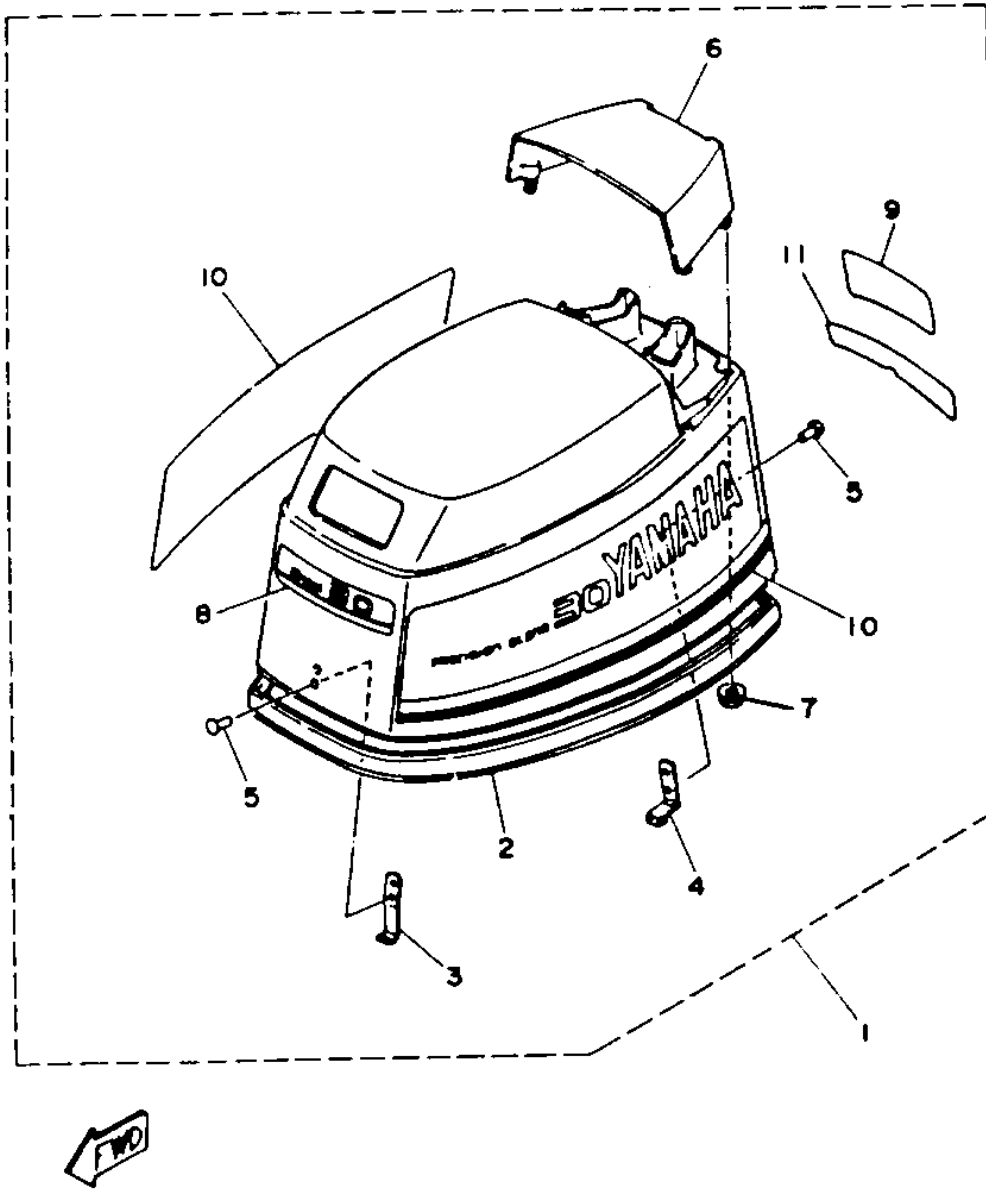
## Part Notes

30ELHS 1994 / FUEL TANK

| PART NUMBER  | NOTE TEXT  |
|--|--|
| 92990-06600-00  | OEM: This part number is among the Top 100 Most Popular Marine Maintenance Parts as of March 2014. |

©2014 Yamaha Motor Corporation, U.S.A. All rights reserved.

30ELHS 1994 / TOP COWLING



©2014 Yamaha Motor Corporation, U.S.A. All rights reserved.

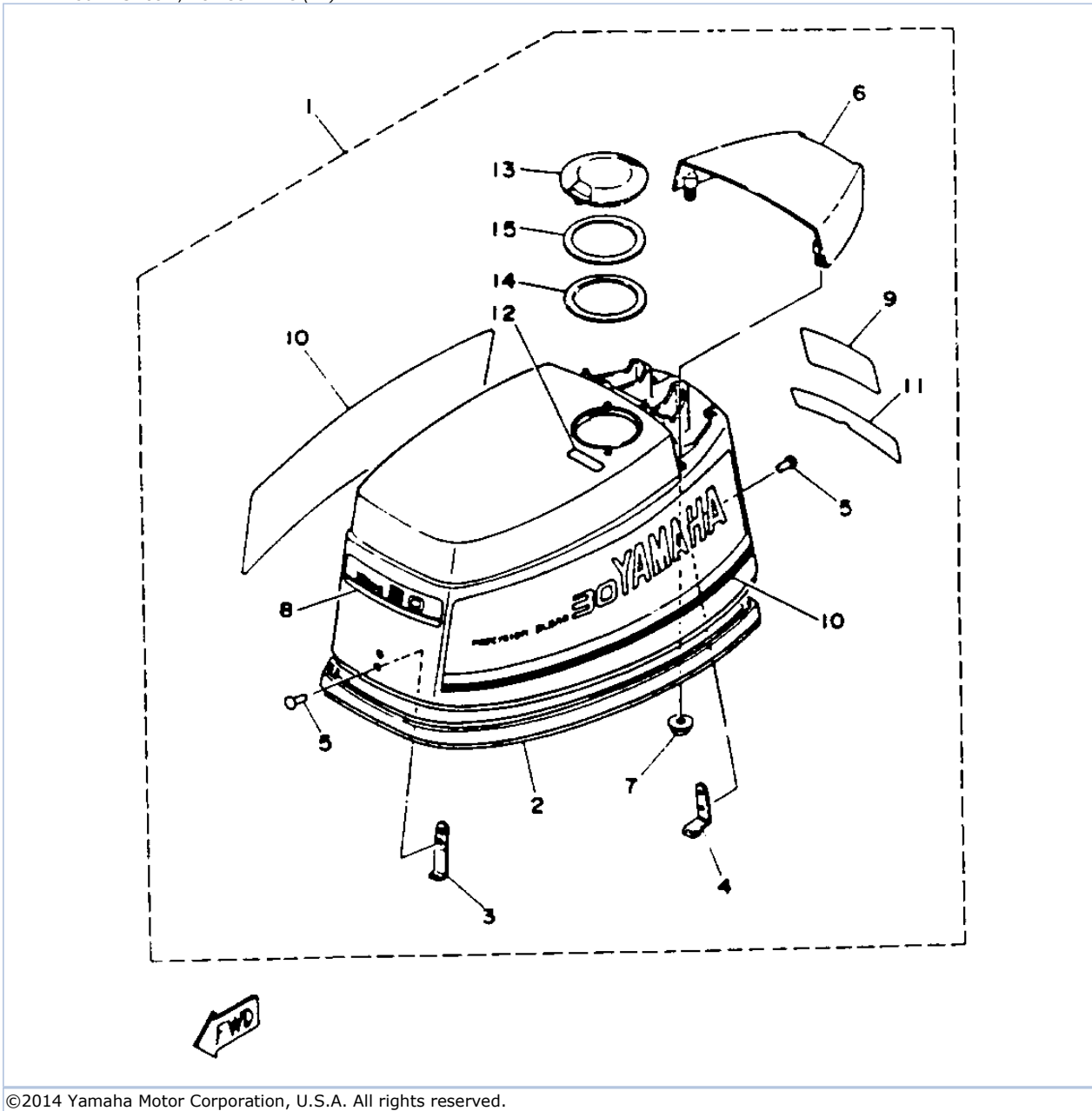
## Part List

30ELHS 1994 / TOP COWLING

| REF<br>-<br>NO | PART<br>NUMBER  | PART NAME            | QUANTITY | REMARKS |
|----------------|-----------------|----------------------|----------|---------|
| 1              | 6J8-42610-W1-EK | TOP COWLING ASSEMBLY | 1        |         |
| 2              | 6J8-42615-00-00 | .SEAL                | 1        |         |
| 3              | 6J8-42651-03-00 | .HOOK                | 1        |         |
| 4              | 6J8-42652-00-00 | .HOOK                | 1        |         |
| 5              | 90266-04M00-00  | .RIVET               | 4        |         |
| 6              | 6J8-42613-00-EK | .MOLDING, AIR DUCT   | 1        |         |
| 7              | 90179-06M24-00  | .NUT                 | 4        |         |
| 8              | 6J8-42677-01-00 | .GRAPHIC, FRONT      | 1        |         |
| 9              | 6J8-42678-01-00 | .GRAPHIC, REAR       | 1        |         |
| 10             | 6J8-W0070-41-00 | .GRAPHIC SET         | 1        |         |
| 11             | 6J8-42682-40-00 | .MARK, COWLING 2     | 1        |         |



30ELHS 1994 / TOP COWLING (ER)



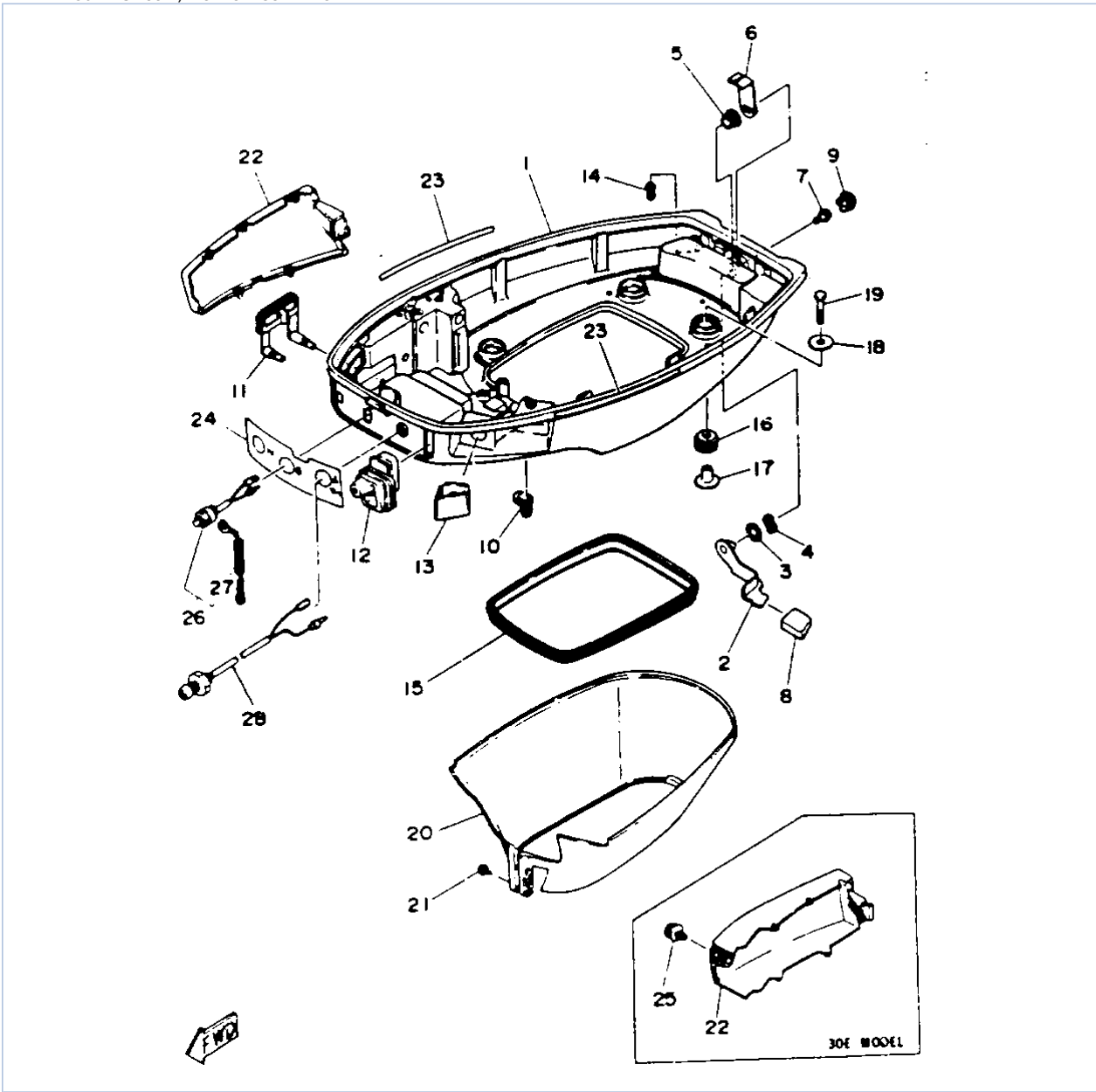
©2014 Yamaha Motor Corporation, U.S.A. All rights reserved.

## Part List

30ELHS 1994 / TOP COWLING (ER)

| REF<br>-<br>NO | PART<br>NUMBER  | PART NAME            | QUANTITY | REMARKS |
|----------------|-----------------|----------------------|----------|---------|
| 1              | 6J8-42610-41-EK | TOP COWLING ASSEMBLY | 1        |         |
| 2              | 6J8-42615-00-00 | .SEAL                | 1        |         |
| 3              | 6J8-42651-03-00 | .HOOK                | 1        |         |
| 4              | 6J8-42652-00-00 | .HOOK                | 1        |         |
| 5              | 90266-04M00-00  | .RIVET               | 4        |         |
| 6              | 6J8-42613-10-EK | .MOLDING, AIR DUCT   | 1        |         |
| 7              | 90179-06M24-00  | .NUT                 | 4        |         |
| 8              | 6J8-42677-01-00 | .GRAPHIC, FRONT      | 1        |         |
| 9              | 6J8-42678-01-00 | .GRAPHIC, REAR       | 1        |         |
| 10             | 6J8-W0070-41-00 | .GRAPHIC SET         | 1        |         |
| 11             | 6J8-42682-40-00 | .MARK, COWLING 2     | 1        |         |
| 12             | 6J8-13436-00-00 | .MARK                | 1        |         |
| 13             | 6J8-2177H-00-00 | .DISK CAP 2          | 1        |         |
| 14             | 6J8-21732-00-00 | .SEAL 1              | 1        |         |
| 15             | 6J8-21735-00-00 | .SEAL 2              | 1        |         |

30ELHS 1994 / BOTTOM COWLING



©2014 Yamaha Motor Corporation, U.S.A. All rights reserved.


## Part List

30ELHS 1994 / BOTTOM COWLING

| REF<br>-<br>NO | PART<br>NUMBER  | PART NAME  | QUANTITY | REMARKS       |
|----------------|-----------------|--|----------|---------------|
| 1              | 6J8-42711-01-EK | BOTTOM COWLING                                       | 1        |               |
| 2              | 6J8-42815-00-EK | LEVER, CLAMP 1                                       | 1        |               |
| 3              | 90202-12M25-00  | WASHER, PLATE  | 1        |               |
| 4              | 90206-12052-00  | WASHER, WAVE   | 1        |               |
| 5              | 90386-12M61-00  | BUSH   | 1        |               |
| 6              | 6J8-42816-00-00 | LEVER, CLAMP   | 1        |               |
| 7              | 95895-06012-00  | BOLT, FLANGE   | 1        |               |
| 8              | 6J8-42831-00-00 | BUSHING  | 1        |               |
| 9              | 6J8-42728-00-00 | CAP  | 1        |               |
| 10             | 6G1-42727-00-00 | GROMMET  | 1        |               |
| 11             | 6J8-42724-00-00 | GROMMET  | 1        |               |
| 12             | 6J8-42726-00-00 | GROMMET  | 1        |               |
| 13             | 6J8-42725-00-00 | GROMMET 2  | 1        |               |
| 14             | 6H3-44391-01-00 | NIPPLE, HOSE   | 1        |               |
| 15             | 6J8-42716-00-00 | RUBBER, SEAL 1                                       | 1        |               |
| 16             | 90480-09M21-00  | GROMMET  | 4        |               |
| 17             | 90387-06M41-00  | COLLAR   | 4        |               |
| 18             | 90201-06416-00  | WASHER, PLATE  | 4        |               |
| 19             | 97313-06030-00  | BOLT   | 4        |               |
| 20             | 6J8-42741-00-00 | APRON 1  | 1        |               |
| 21             | 90164-06M01-00  | SCREW, TAPPING                                       | 2        |               |
| 22             | 6J8-42723-50-00 | COVER, BOTTOM  | 1        | UR 30ER MODEL |
| 22             | 6J8-42723-00-00 | COVER, BOTTOM  | 1        | UR 30MH MODEL |
| 23             | 6J8-42735-00-00 | PROTECTOR  | 2        |               |
| 24             | 6J8-42719-20-00 | PANEL, FRONT LOWER                                   | 1        |               |
| 25             | 6J8-42846-00-00 | .SCREW   | 1        | 30ER MODEL    |
| 26             | 689-82575-03-00 | ENGINE STOP SWITCH<br>ASSEMBLY (689-82575-02-<br>00) | 1        |               |
| 27             | 682-82556-00-00 | .LANYARD, STOP SWITCH                                | 1        |               |
| 28             | 6J8-85410-00-00 | EMERGENCY SIGNAL LIGHT<br>ASSY                       | 1        |               |

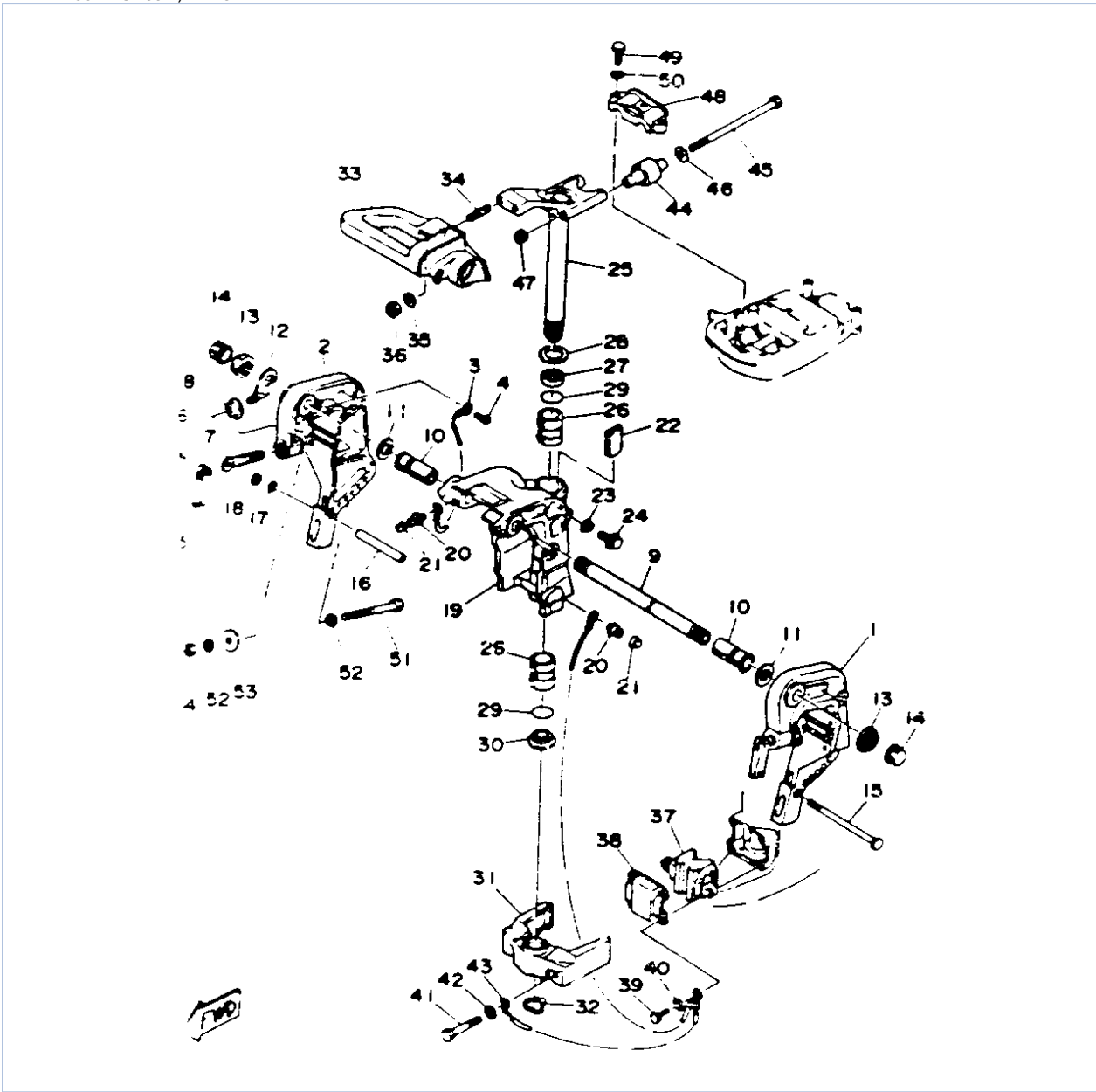
## Part Notes

30ELHS 1994 / BOTTOM COWLING

| PART NUMBER   | NOTE TEXT  |
|---|--|
| 682-82556-00-00  | OEM: This part number is among the Top 100 Most Popular Marine Maintenance Parts as of March 2014. |

©2014 Yamaha Motor Corporation, U.S.A. All rights reserved.

30ELHS 1994 / BRACKET 1



©2014 Yamaha Motor Corporation, U.S.A. All rights reserved.

## Part List

30ELHS 1994 / BRACKET 1

| REF<br>-<br>NO | PART<br>NUMBER  | PART NAME                           | QUANTITY | REMARKS  |
|----------------|-----------------|-------------------------------------|----------|----------|
| 1              | 6H4-43111-04-EK | BRACKET, CLAMP                      | 1        |          |
| 2              | 6H4-43112-04-EK | BRACKET, CLAMP                      | 1        |          |
| 3              | 6E5-82148-00-00 | WIRE, LEAD 4                        | 1        |          |
| 4              | 98580-06008-00  | SCREW, PAN HEAD                     | 1        |          |
| 5              | 616-43118-00-EJ | HANDLE, TRANSOM<br>CLPTRANSOM CLAMP | 2        |          |
| 6              | 90243-04M00-00  | PIN                                 | 2        |          |
| 7              | 90149-14M12-00  | SCREW                               | 2        |          |
| 8              | 648-43114-01-00 | PAD, TRANSOM CLAMP                  | 2        |          |
| 9              | 6J8-43131-01-00 | BOLT, CLAMP BRACKET                 | 1        |          |
| 10             | 90386-22M69-00  | BUSH                                | 2        |          |
| 11             | 90201-22428-00  | WASHER, PLATE                       | 2        |          |
| 12             | 6J8-43113-01-00 | PLATE, CLAMP BRACKET                | 1        |          |
| 13             | 90185-22043-00  | NUT, SELF-LOCKING                   | 2        |          |
| 14             | 6G5-43145-00-00 | CAP, CLAMP BRACKET                  | 2        |          |
| 15             | 90101-08339-00  | BOLT                                | 1        |          |
| 16             | 90387-08M03-00  | COLLAR                              | 1        |          |
| 17             | 92990-08600-00  | ..WASHER, PLATE                     | 1        |          |
| 18             | 95380-08600-00  | NUT                                 | 1        |          |
| 19             | 6J8-43311-04-EK | BRACKET, SWIVEL 1                   | 1        |          |
| 20             | 93700-06M03-00  | NIPPLE, GREASE                      | 3        |          |
| 21             | 663-45119-00-00 | CAP, GREASE NIPPLE                  | 3        |          |
| 22             | 6J8-42528-00-00 | PLATE, FRICTION                     | 1        |          |
| 23             | 689-43373-01-00 | SEAL, DAMPER                        | 1        |          |
| 24             | 90105-06M18-00  | BOLT, FLANGE                        | 1        |          |
| 25             | 6J8-42510-02-EK | STEERING<br>BRACKETASSEMBLY         | 1        |          |
| 26             | 90386-30M77-00  | BUSH                                | 2        |          |
| 27             | 90386-30M78-00  | BUSH                                | 1        |          |
| 28             | 90201-30M00-00  | WASHER, PLATE                       | 1        |          |
| 29             | 93210-29M94-00  | O-RING                              | 2        |          |
| 30             | 90386-30M60-00  | BUSH                                | 1        |          |
| 31             | 6H4-44551-01-EK | HOUSING, LOWER MOUNT                | 1        |          |
| 32             | 93410-28M06-00  | CIRCLIP                             | 1        |          |
| 33             | 6J8-42121-00-EK | BRACKET                             | 1        |          |
| 34             | 90116-10M28-00  | BOLT, STUD                          | 2        |          |
| 35             | 92990-10600-00  | WASHER, PLATE                       | 2        |          |
| 36             | 90185-10051-00  | NUT, SELF-LOCKING                   | 2        |          |
| 37             | 6H4-44557-00-00 | MOUNT DAMPER, LOWER<br>FRONT        | 1        | UR SHORT |
| 37             | 6H4-44557-10-00 | MOUNT DAMPER, LOWER<br>FRONT        | 1        | UR LONG  |
| 38             | 6H4-44553-01-00 | COVER, LOWER MOUNT                  | 1        |          |
| 39             | 97395-08025-00  | BOLT                                | 4        |          |
| 40             | 92990-08600-00  | ..WASHER, PLATE                     | 4        |          |
| 41             | 97395-10060-00  | BOLT                                | 2        |          |
| 42             | 92990-10600-00  | WASHER, PLATE                       | 2        |          |
| 43             | 6H4-82127-00-00 | WIRE, LEAD 2                        | 1        |          |
| 44             | 6H4-44514-00-00 | MOUNT DAMPER, UPPER<br>SIDE         | 2        |          |
| 45             | 90109-08M26-00  | BOLT                                | 2        |          |
| 46             | 90201-09425-00  | WASHER, PLATE                       | 2        |          |
| 47             | 90185-08045-00  | NUT, SELF-LOCKING                   | 2        |          |
| 48             | 6J8-44511-00-EK | COVER, UPPER MT.                    | 1        |          |
| 49             | 97090-08035-00  | BOLT                                | 3        |          |

|    |                |                |   |  |
|----|----------------|----------------|---|--|
| 50 | 92990-08100-00 | WASHER, SPRING | 3 |  |
| 51 | 90101-10M58-00 | BOLT           | 4 |  |
| 52 | 92990-10600-00 | WASHER, PLATE  | 8 |  |
| 53 | 90201-12426-00 | WASHER, PLATE  | 4 |  |
| 54 | 95380-10600-00 | NUT            | 8 |  |

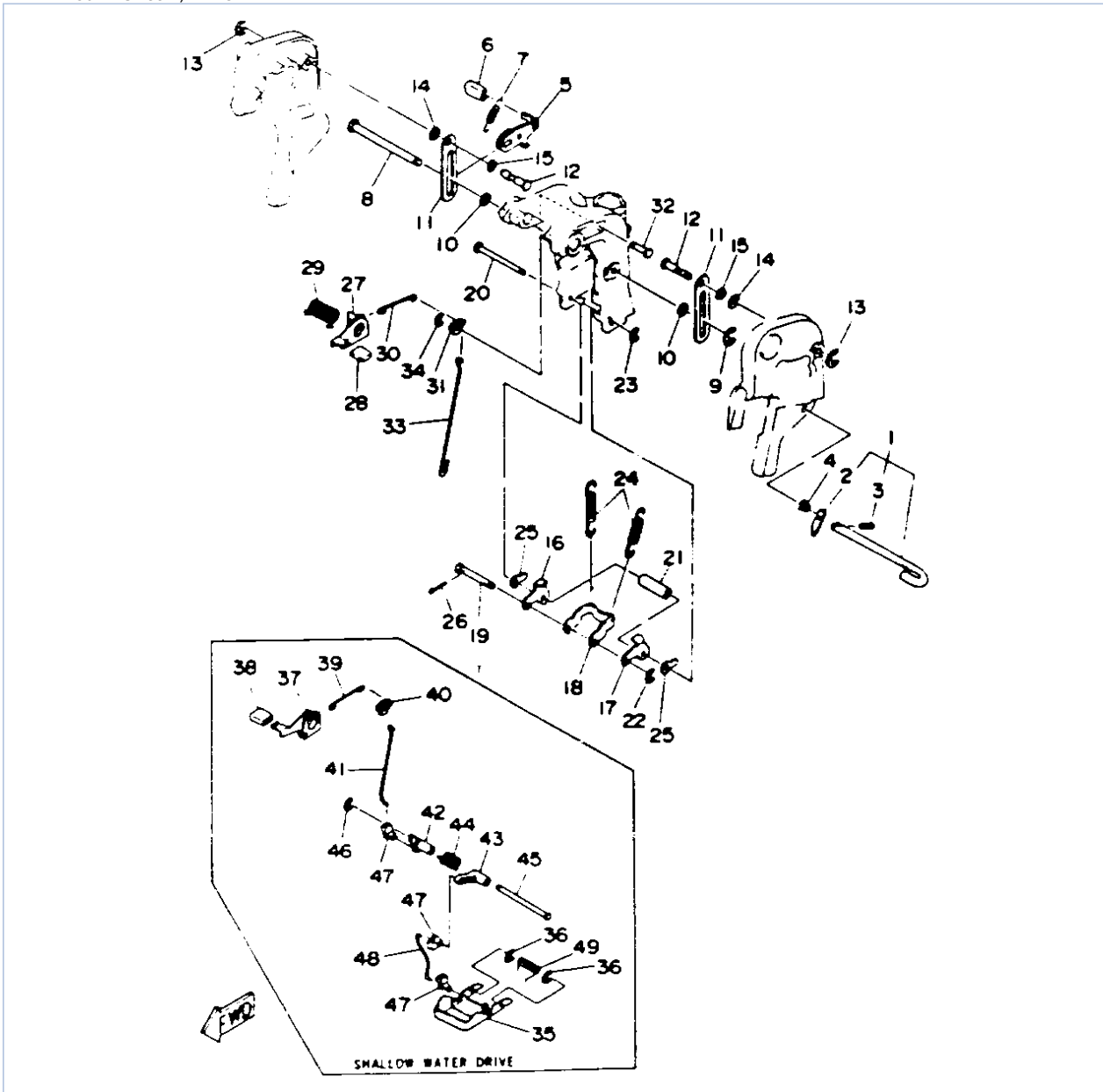
## Part Notes

30ELHS 1994 / BRACKET 1

| PART NUMBER    |   | NOTE TEXT  |
|----------------|---|--|
| 92990-10600-00 |  | OEM: This part number is among the Top 100 Most Popular Marine Maintenance Parts as of March 2014. |
| 92990-10600-00 |  | OEM: This part number is among the Top 100 Most Popular Marine Maintenance Parts as of March 2014. |
| 92990-10600-00 |  | OEM: This part number is among the Top 100 Most Popular Marine Maintenance Parts as of March 2014. |

©2014 Yamaha Motor Corporation, U.S.A. All rights reserved.

30ELHS 1994 / BRACKET 2



©2014 Yamaha Motor Corporation, U.S.A. All rights reserved.

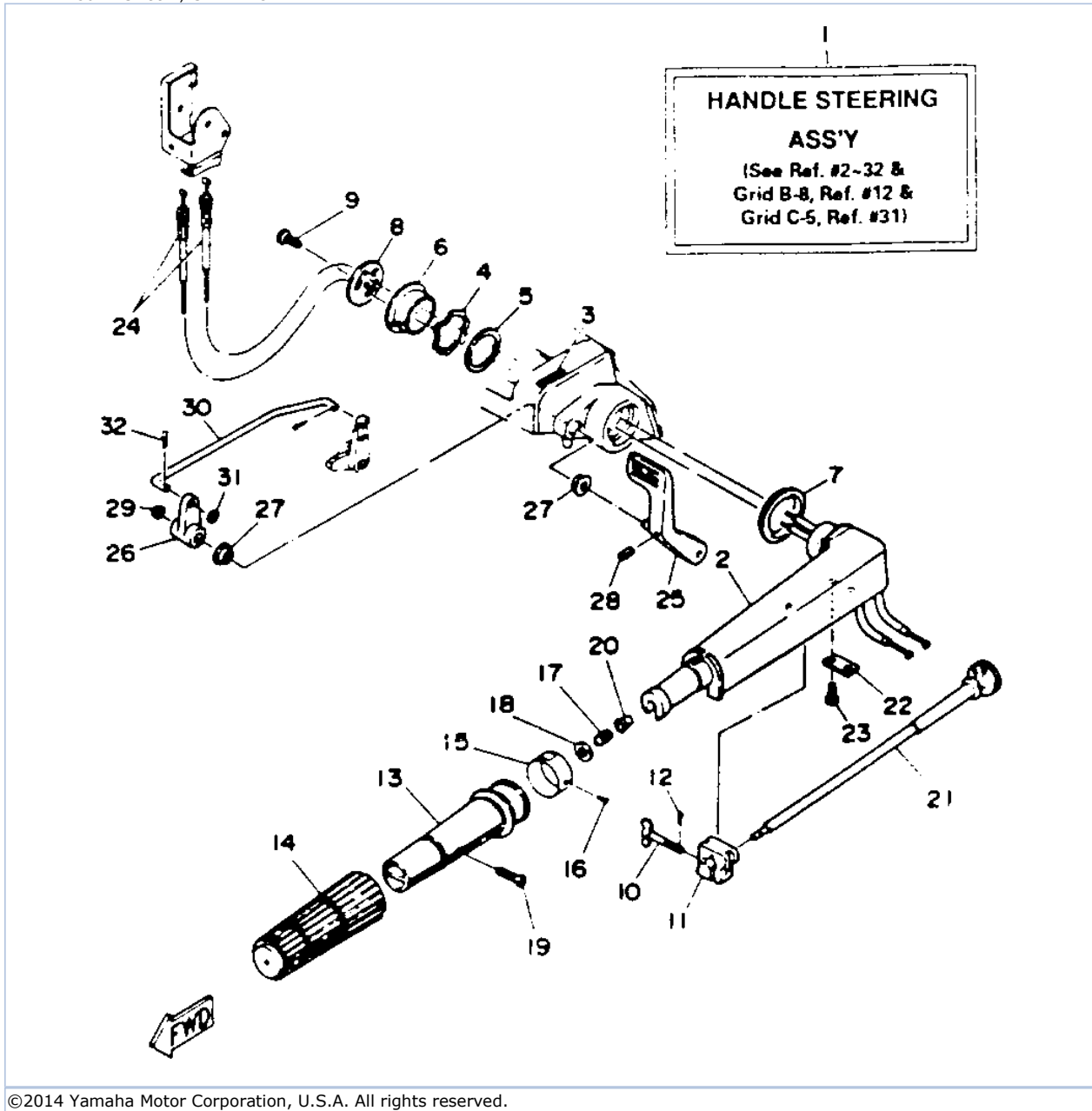


## Part List

30ELHS 1994 / BRACKET 2

| REF<br>-<br>NO | PART<br>NUMBER  | PART NAME                       | QUANTITY | REMARKS         |
|----------------|-----------------|---------------------------------|----------|-----------------|
| 1              | 6H4-43160-01-00 | TILT ROD ASSY                   | 1        |                 |
| 2              | 676-43165-00-00 | .PLATE, TILT LOCK               | 1        |                 |
| 3              | 91690-30010-00  | .PIN, SPRING                    | 1        |                 |
| 4              | 90502-10M04-00  | SPRING, CONICAL                 | 1        |                 |
| 5              | 6J8-43181-01-00 | LEVER, TILT STOP                | 1        |                 |
| 6              | 682-43318-01-00 | COVER                           | 1        |                 |
| 7              | 90506-12M25-00  | SPRING, TENSION                 | 1        |                 |
| 8              | 90249-12M28-00  | PIN                             | 1        |                 |
| 9              | 93430-10M00-00  | CIRCLIP                         | 1        |                 |
| 10             | 90202-12031-00  | WASHER, PLATE                   | 2        |                 |
| 11             | 6J8-43627-00-00 | STOPPER                         | 2        |                 |
| 12             | 90249-12M27-00  | PIN                             | 2        |                 |
| 13             | 93430-10M00-00  | CIRCLIP                         | 2        |                 |
| 14             | 90202-12031-00  | WASHER, PLATE                   | 2        |                 |
| 15             | 90206-12M16-00  | WASHER, WAVE                    | 2        |                 |
| 16             | 6J8-43614-00-00 | PLATE, TILT LOCK                | 1        |                 |
| 17             | 6J8-43615-00-00 | PLATE, TILT LOCK                | 1        |                 |
| 18             | 6J8-43613-01-00 | ARM, TILT LOCK                  | 1        |                 |
| 19             | 6H4-43659-00-00 | SHAFT, REVERSE LOCK             | 1        |                 |
| 20             | 6J8-43611-01-00 | SHAFT, TILT LOCK                | 1        |                 |
| 21             | 90387-07M64-00  | COLLAR                          | 1        | WITHOUT SHALLOW |
| 22             | 93430-06M02-00  | .CIRCLIP                        | 1        |                 |
| 23             | 99080-05600-00  | CIRCLIP                         | 1        |                 |
| 24             | 90506-32M22-00  | SPRING, TENSION                 | 2        |                 |
| 25             | 6H4-43674-00-00 | WASHER                          | 2        | WITHOUT SHALLOW |
| 26             | 91490-20015-00  | PIN. COTTER                     | 2        |                 |
| 27             | 6J8-43631-00-00 | LEVER, TILT                     | 1        |                 |
| 28             | 6J8-43633-00-00 | COVER, TILT LEVER               | 1        |                 |
| 29             | 90508-18M24-00  | SPRING, TORSION                 | 1        | UR              |
| 29             | 90508-18M23-00  | SPRING, TORSION                 | 1        | UR FOR SHALLOW  |
| 30             | 6H4-43616-00-00 | ROD, TILT LOCK                  | 1        |                 |
| 31             | 6J8-43641-00-00 | LEVER, TILT                     | 1        |                 |
| 32             | 90249-06M23-00  | PIN                             | 1        | UR              |
| 32             | 90249-06M24-00  | PIN                             | 1        | UR FOR SHALLOW  |
| 33             | 6J8-43617-00-00 | ROD, TILT LOCK                  | 1        |                 |
| 34             | 99080-05600-00  | CIRCLIP                         | 1        |                 |
| 35             | 6J8-43681-01-00 | LEVER, SHALLOW WATER<br>DRIVE 1 | 1        |                 |
| 36             | 6J8-43673-00-00 | WASHER 1                        | 2        |                 |
| 37             | 6J8-43631-10-00 | LEVER, TILT                     | 1        |                 |
| 38             | 6J8-43633-00-00 | COVER, TILT LEVER               | 1        |                 |
| 39             | 6H4-43616-00-00 | ROD, TILT LOCK                  | 1        |                 |
| 40             | 6J8-43641-00-00 | LEVER, TILT                     | 1        |                 |
| 41             | 6J8-43617-10-00 | ROD, TILT LOCK                  | 1        |                 |
| 42             | 6J8-43186-00-00 | LEVER                           | 1        |                 |
| 43             | 6J8-43187-00-00 | LEVER 2                         | 1        |                 |
| 44             | 90508-25M21-00  | SPRING, TORSION                 | 1        |                 |
| 45             | 90249-07M25-00  | PIN                             | 1        |                 |
| 46             | 99080-05600-00  | CIRCLIP                         | 1        |                 |
| 47             | 6J8-41262-00-00 | JOINT, CHOKE LEVER              | 3        |                 |
| 48             | 6J8-43616-10-00 | ROD, TILT LOCK                  | 1        |                 |
| 49             | 90508-20M22-00  | SPRING, TORSION                 | 1        |                 |

30ELHS 1994 / STEERING




## Part List

30ELHS 1994 / STEERING

| REF<br>-<br>NO | PART<br>NUMBER  | PART NAME                         | QUANTITY | REMARKS |
|----------------|-----------------|-----------------------------------|----------|---------|
| 1              | 6J8-W0084-00-EK | TILLER HANDLE ASSEMBLY            | 1        |         |
| 2              | 6G1-42111-03-EK | HANDLE, STEERING                  | 1        |         |
| 3              | 6E0-44191-11-00 | INDICATOR, SHIFT                  | 1        |         |
| 4              | 90206-35M20-00  | WASHER, WAVE                      | 1        |         |
| 5              | 90202-35M24-00  | WASHER, PLATE                     | 1        |         |
| 6              | 90386-34M40-00  | BUSH                              | 1        |         |
| 7              | 90386-43M62-00  | BUSH                              | 1        |         |
| 8              | 6G1-42131-01-00 | COVER, HANDLE STEERING            | 1        |         |
| 9              | 97395-06016-00  | BOLT, HEX                         | 1        |         |
| 10             | 6G1-42125-01-00 | BOLT, FRICTION ADJUSTING          | 1        |         |
| 11             | 6G1-42126-00-00 | FRICTION, STEERING<br>HANDLE GRIP | 1        |         |
| 12             | 91490-16010-00  | PIN. COTTER                       | 1        |         |
| 13             | 664-42119-00-00 | GRIP, STEERING HANDLE             | 1        |         |
| 14             | 6G1-42177-00-00 | RUBBER, HANDLE                    | 1        |         |
| 15             | 6J8-42137-00-00 | INDICATOR, THROTTLE               | 1        |         |
| 16             | 90269-02M09-00  | RIVET                             | 1        |         |
| 17             | 90501-23215-00  | SPRING, COMPRESSION               | 1        |         |
| 18             | 92990-10600-00  | WASHER, PLATE                     | 1        |         |
| 19             | 90149-05M13-00  | SCREW                             | 1        |         |
| 20             | 90386-08032-00  | BUSH                              | 1        |         |
| 21             | 6G1-42138-01-00 | LEVER, THROTTLE                   | 1        |         |
| 22             | 6E0-42159-02-00 | STAY                              | 1        |         |
| 23             | 97895-05012-00  | SCREW, PAN HEAD                   | 2        |         |
| 24             | 6J8-26301-00-00 | THROTTLE CABLE ASSY               | 2        |         |
| 25             | 6J8-44111-00-EK | HANDLE, GEAR SHIFT                | 1        |         |
| 26             | 6J8-44125-00-00 | LEVER, SHIFT ROD                  | 1        |         |
| 27             | 682-44132-00-00 | BUSHING                           | 2        |         |
| 28             | 91690-30318-00  | PIN, SPRING                       | 1        |         |
| 29             | 90386-06M12-00  | BUSH                              | 1        |         |
| 30             | 6J8-44124-00-00 | LINK, SHIFT ROD                   | 1        |         |
| 31             | 92990-06200-00  | WASHER, PLAIN                     | 1        |         |
| 32             | 91490-20015-00  | PIN. COTTER                       | 1        |         |

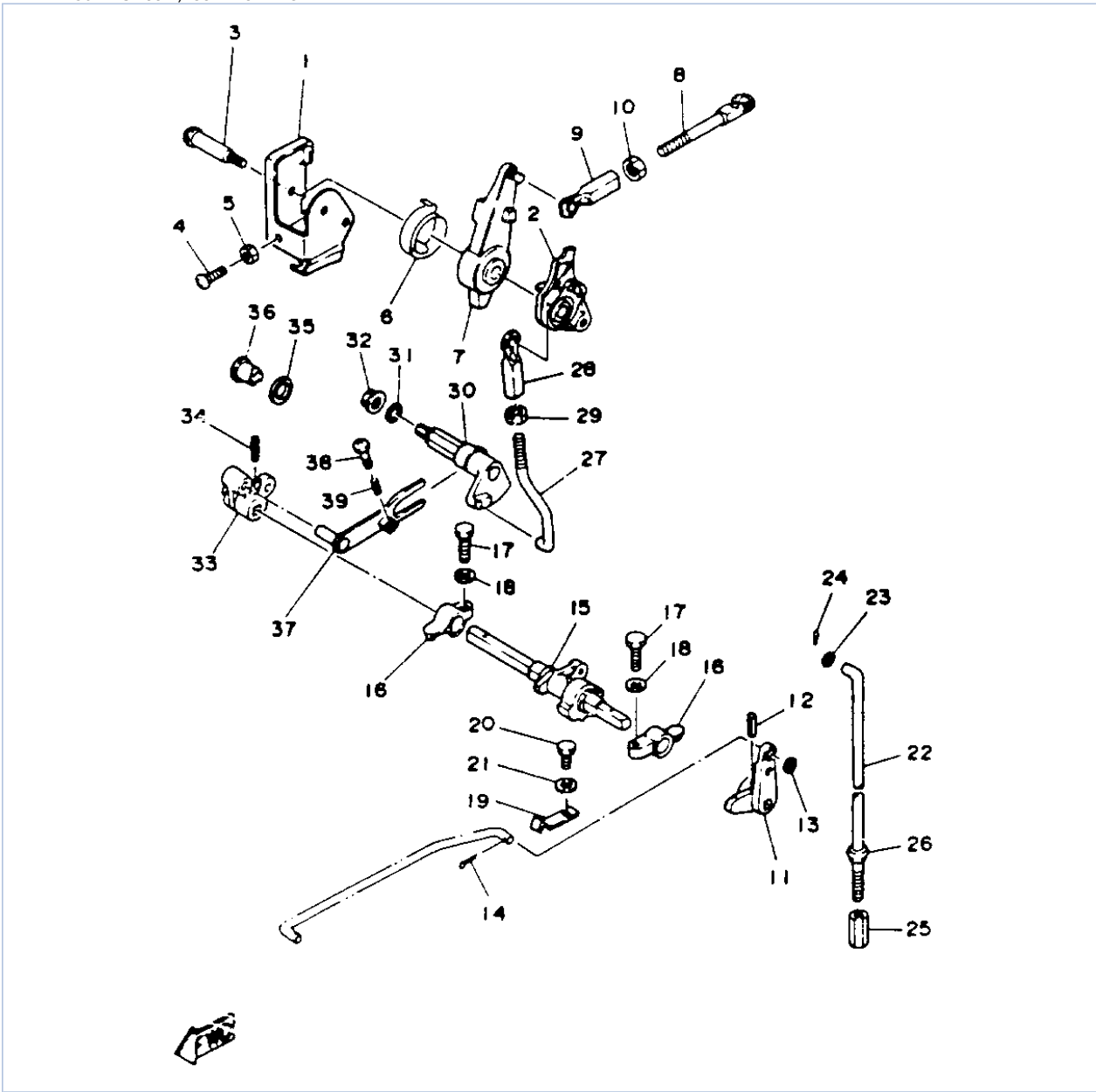
## Part Notes

30ELHS 1994 / STEERING

| PART NUMBER  | NOTE TEXT  |
|--|--|
| 92990-10600-00  | OEM: This part number is among the Top 100 Most Popular Marine Maintenance Parts as of March 2014. |

©2014 Yamaha Motor Corporation, U.S.A. All rights reserved.

30ELHS 1994 / CONTROL ENGINE



©2014 Yamaha Motor Corporation, U.S.A. All rights reserved.



## Part List

30ELHS 1994 / CONTROL ENGINE

| REF<br>-<br>NO | PART<br>NUMBER  | PART NAME               | QUANTITY | REMARKS |
|----------------|-----------------|-------------------------|----------|---------|
| 1              | 6J8-14497-00-00 | STAY, THROTTLE WIRE     | 1        |         |
| 2              | 6J8-41213-00-00 | CAM, ACCEL.             | 1        |         |
| 3              | 90109-06M28-00  | BOLT                    | 1        |         |
| 4              | 98580-06025-00  | SCREW, PAN HEAD         | 1        |         |
| 5              | 95380-06600-00  | NUT, HEXAGON            | 1        |         |
| 6              | 6J8-42167-00-00 | SPRING 1                | 1        |         |
| 7              | 6J8-41631-02-00 | LEVER, MAGNETO CONTROL  | 1        |         |
| 8              | 689-42169-01-00 | JOINT                   | 1        |         |
| 9              | 682-41237-00-00 | JOINT, LINK             | 1        |         |
| 10             | 95380-05600-00  | NUT                     | 1        |         |
| 11             | 6J8-44123-00-00 | ARM, SHIFT ROD          | 1        |         |
| 12             | 91690-30318-00  | PIN, SPRING             | 1        |         |
| 13             | 92990-06200-00  | WASHER, PLAIN           | 1        |         |
| 14             | 91490-20015-00  | PIN. COTTER             | 1        |         |
| 15             | 6J8-44121-00-00 | LEVER, SHIFT ROD        | 1        |         |
| 16             | 6G1-41662-01-94 | BRACKET 2               | 2        |         |
| 17             | 97313-06020-00  | BOLT, HEXAGON           | 2        |         |
| 18             | 92990-06600-00  | WASHER, PLATE           | 2        |         |
| 19             | 6J8-44116-00-00 | SPRING                  | 1        |         |
| 20             | 97395-06012-00  | BOLT                    | 1        |         |
| 21             | 92990-06600-00  | WASHER, PLATE           | 1        |         |
| 22             | 6J8-44143-00-00 | ROD, SHIFT              | 1        |         |
| 23             | 92990-05600-00  | WASHER, PLATE           | 1        |         |
| 24             | 91490-16010-00  | PIN. COTTER             | 1        |         |
| 25             | 90170-06015-00  | NUT                     | 1        |         |
| 26             | 689-43373-01-00 | SEAL, DAMPER            | 1        |         |
| 27             | 6J8-42192-00-00 | ROD 2                   | 1        |         |
| 28             | 682-41237-00-00 | JOINT, LINK             | 1        |         |
| 29             | 95380-05600-00  | NUT                     | 1        |         |
| 30             | 6J8-42154-01-00 | LEVER, THROTTLE CONTROL | 1        |         |
| 31             | 90202-10024-00  | WASHER, PLATE           | 1        |         |
| 32             | 95780-08300-00  | ..NUT, FLANGE           | 1        |         |
| 33             | 6J8-44142-00-00 | JOINT                   | 1        |         |
| 34             | 91690-30318-00  | PIN, SPRING             | 1        |         |
| 35             | 682-42726-00-00 | GROMMET                 | 1        |         |
| 36             | 90202-12M17-00  | WASHER, PLATE           | 1        |         |
| 37             | 6J8-41211-00-00 | LINK, ACCEL.            | 1        |         |
| 38             | 98580-04020-00  | SCREW, PAN HEAD         | 1        |         |
| 39             | 90501-08M66-00  | SPRING, COMPRESSION     | 1        |         |

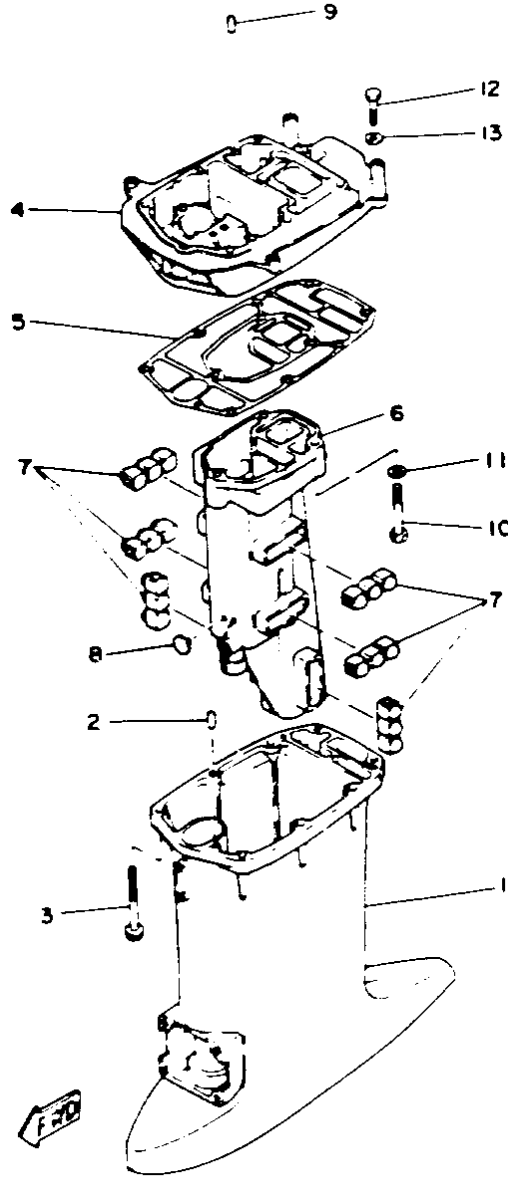
## Part Notes

30ELHS 1994 / CONTROL ENGINE

| PART NUMBER    |   | NOTE TEXT  |
|----------------|---|--|
| 92990-06600-00 |  | OEM: This part number is among the Top 100 Most Popular Marine Maintenance Parts as of March 2014. |
| 92990-06600-00 |  | OEM: This part number is among the Top 100 Most Popular Marine Maintenance Parts as of March 2014. |

©2014 Yamaha Motor Corporation, U.S.A. All rights reserved.

30ELHS 1994 / UPPER CASING



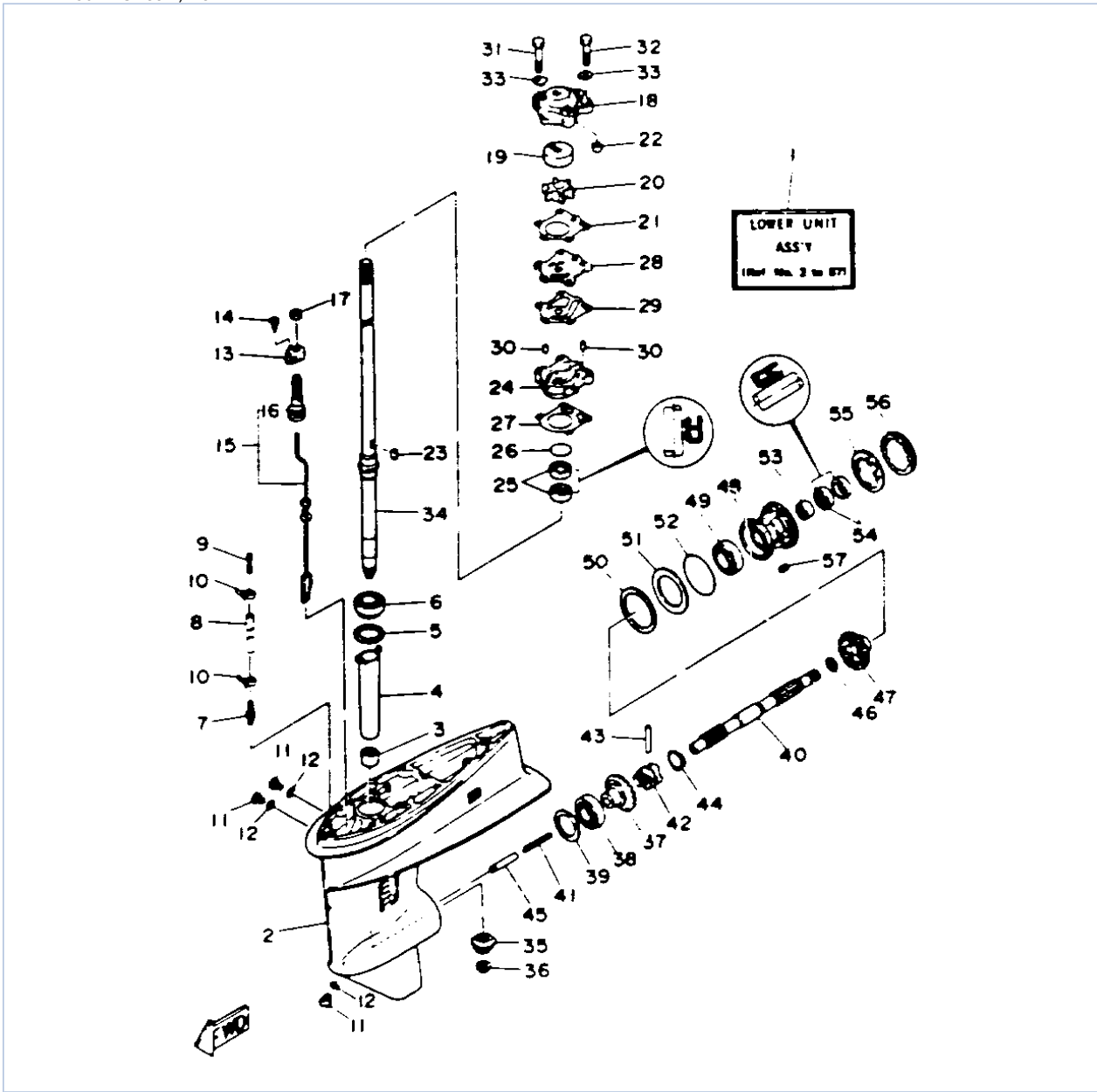
©2014 Yamaha Motor Corporation, U.S.A. All rights reserved.

## Part List

30ELHS 1994 / UPPER CASING

| REF<br>-<br>NO | PART<br>NUMBER  | PART NAME             | QUANTITY | REMARKS  |
|----------------|-----------------|-----------------------|----------|----------|
| 1              | 6J8-45111-00-EK | CASING, UPPER         | 1        | UR SHORT |
| 1              | 6J8-45111-10-EK | CASING, UPPER         | 1        | UR LONG  |
| 2              | 93606-12019-00  | .PIN, DOWEL           | 2        |          |
| 3              | 90119-08M31-00  | BOLT, WITH WASHER     | 6        |          |
| 4              | 6J8-41137-00-94 | GUIDE, EXHAUST        | 1        |          |
| 5              | 6J8-45114-A1-00 | .GASKET, UPPER CASING | 1        |          |
| 6              | 6J8-41131-00-5B | MANIFOLD, EXT. 1      | 1        |          |
| 7              | 6J8-14737-00-00 | DAMPER, MUFFLER       | 6        |          |
| 8              | 90338-07M00-00  | PLUG                  | 1        |          |
| 9              | 93606-12019-00  | .PIN, DOWEL           | 2        |          |
| 10             | 97395-08050-00  | BOLT                  | 3        |          |
| 11             | 92990-08600-00  | ..WASHER, PLATE       | 3        |          |
| 12             | 97395-08030-00  | BOLT                  | 2        |          |
| 13             | 92990-08600-00  | ..WASHER, PLATE       | 2        |          |

30ELHS 1994 / LOWER DRIVE 1



©2014 Yamaha Motor Corporation, U.S.A. All rights reserved.



## Part List



30ELHS 1994 / LOWER DRIVE 1

| REF<br>-<br>NO | PART<br>NUMBER  | PART NAME             | QUANTITY | REMARKS  |
|----------------|-----------------|-----------------------|----------|----------|
| 1              | 6J8-45300-14-EK | LOWER UNIT ASSEMBLY   | 1        | UR LONG  |
| 1              | 6J8-45300-04-EK | LOWER UNIT ASSEMBLY   | 1        | UR SHORT |
| 2              | 6J8-45301-01-EK | LOWER CASING          | 1        |          |
| 3              | 93315-220V7-00  | BEARING               | 1        |          |
| 4              | 6J8-45536-00-00 | SLEEVE, DRIVE SHAFT   | 1        |          |
| 5              | 663-45587-01-12 | SHIM (T:0.12MM)       | 1        | UR       |
| 5              | 663-45587-01-10 | SHIM (T:0.10MM)       | 1        | UR       |
| 5              | 663-45587-01-15 | SHIM (T:0.15MM)       | 1        | UR       |
| 5              | 663-45587-01-50 | SHIM (T:0.50MM)       | 1        | UR       |
| 5              | 663-45587-01-40 | SHIM (T:0.40MM)       | 1        | UR       |
| 5              | 663-45587-01-30 | SHIM (T:0.30MM)       | 1        | UR       |
| 5              | 663-45587-01-18 | SHIM (T:0.18MM)       | 1        | UR       |
| 6              | 93332-00001-00  | BEARING               | 1        |          |
| 7              | 6E5-45378-00-00 | NIPPLE, HOSE          | 1        |          |
| 8              | 90445-07ME9-00  | HOSE (L120)           | 1        | UR SHORT |
| 8              | 90445-07M31-00  | HOSE (L200)           | 1        | UR LONG  |
| 9              | 6E5-83558-00-00 | END, NIPPLE           | 1        |          |
| 10             | 90465-11M10-00  | CLAMP                 | 2        |          |
| 11             | 90340-08M04-00  | PLUG, STRAIGHT SCREW  | 3        |          |
| 12             | 90430-08020-00  | .GASKET               | 3        |          |
| 13             | 682-44176-00-00 | BRACKET               | 1        |          |
| 14             | 97780-50110-00  | SCREW, PAN HEAD       | 1        |          |
| 15             | 6J8-44150-00-00 | SHIFT CAM ASSY        | 1        | UR SHORT |
| 15             | 6J8-44150-10-00 | SHIFT CAM ASSY        | 1        | UR LONG  |
| 16             | 682-44147-00-00 | .BOOT, SHIFT ROD      | 1        |          |
| 17             | 95380-06700-00  | NUT                   | 1        |          |
| 18             | 6J8-44311-00-00 | HOUSING, WATER PUMP   | 1        |          |
| 19             | 663-44322-00-00 | .INSERT, CARTRIDGE    | 1        |          |
| 20             | 6H4-44352-02-00 | .IMPELLER             | 1        |          |
| 21             | 663-44315-A0-00 | GASKET, WATER PUMP    | 1        |          |
| 22             | 663-44366-00-00 | .DAMPER, WATER SEAL 2 | 1        |          |
| 23             | 90280-03024-00  | .KEY, WOODRUFF        | 1        |          |
| 24             | 663-44341-00-94 | HOUSING, WATER PUMP   | 1        |          |
| 25             | 93101-23070-00  | .OIL SEAL             | 2        |          |
| 26             | 93210-41042-00  | O-RING                | 1        |          |
| 27             | 663-44316-A0-00 | GASKET, WATER PUMP    | 1        |          |
| 28             | 663-44323-00-00 | OUTER PLATE, CARTIDGE | 1        |          |
| 29             | 663-44324-A0-00 | GASKET, CARTRIDGE     | 1        |          |
| 30             | 93604-08062-00  | PIN, DOWEL            | 2        |          |
| 31             | 97395-08050-00  | BOLT                  | 2        |          |
| 32             | 97395-08040-00  | BOLT                  | 2        |          |
| 33             | 90209-08M02-00  | WASHER                | 4        |          |
| 34             | 6J8-45501-00-00 | DRIVE SHAFT COMP.     | 1        | UR SHORT |
| 34             | 6J8-45501-10-00 | DRIVE SHAFT COMP.     | 1        | UR LONG  |
| 35             | 6J8-45551-00-00 | PINION                | 1        |          |
| 36             | 90179-10M14-00  | NUT                   | 1        |          |
| 37             | 6J8-45560-00-00 | GEAR                  | 1        |          |
| 38             | 93332-000V6-00  | BEARING               | 1        |          |
| 39             | 6J8-45567-01-10 | SHIM (T:0.10MM)       | 1        | UR       |
| 39             | 6J8-45567-01-12 | SHIM (T:0.12MM)       | 1        | UR       |
| 39             | 6J8-45567-01-15 | SHIM (T:0.15MM)       | 1        | UR       |
| 39             | 6J8-45567-01-18 | SHIM (T:0.18MM)       | 1        | UR       |
| 39             | 6J8-45567-01-30 | SHIM (T:0.30MM)       | 1        | UR       |

|    |                 |                     |   |    |
|----|-----------------|---------------------|---|----|
| 39 | 6J8-45567-01-40 | SHIM (T:0.40MM)     | 1 | UR |
| 39 | 6J8-45567-01-50 | SHIM (T:0.50MM)     | 1 | UR |
| 40 | 6J8-45611-00-00 | SHAFT, PROPELLER    | 1 |    |
| 41 | 90501-10065-00  | SPRING, COMPRESSION | 1 |    |
| 42 | 6J8-45631-00-00 | CLUTCH, DOG         | 1 |    |
| 43 | 90250-05010-00  | PIN, STRAIGHT       | 1 |    |
| 44 | 648-45633-00-00 | RING, CROSS PIN     | 1 |    |
| 45 | 6J8-45635-00-00 | PLUNGER, SHIFT      | 1 |    |
| 46 | 90201-20417-00  | WASHER, PLATE       | 1 |    |
| 47 | 6J8-45571-00-00 | GEAR                | 1 |    |
| 48 | 689-45331-01-94 | HOUSING, BEARING    | 1 |    |
| 49 | 93306-00612-00  | BEARING             | 1 |    |
| 50 | 664-45577-01-12 | SHIM (T:0.12MM)     | 1 | UR |
| 50 | 664-45577-01-40 | SHIM (T:0.40MM)     | 1 | UR |
| 50 | 664-45577-01-18 | SHIM (T:0.18MM)     | 1 | UR |
| 50 | 664-45577-01-15 | SHIM (T:0.15MM)     | 1 | UR |
| 50 | 664-45577-01-10 | SHIM (T:0.10MM)     | 1 | UR |
| 50 | 664-45577-01-50 | SHIM (T:0.50MM)     | 1 | UR |
| 50 | 664-45577-01-30 | SHIM (T:0.30MM)     | 1 | UR |
| 51 | 664-45576-00-00 | WASHER, THRUST      | 1 |    |
| 52 | 93210-60MA3-00  | .O-RING             | 1 |    |
| 53 | 93315-22004-00  | BEARING             | 1 |    |
| 54 | 93101-20M07-00  | .OIL SEAL           | 2 |    |
| 55 | 90214-45M02-00  | WASHER, CLAW        | 1 |    |
| 56 | 664-45384-00-00 | NUT                 | 1 |    |
| 57 | 90282-04010-00  | KEY, STRAIGHT       | 1 |    |

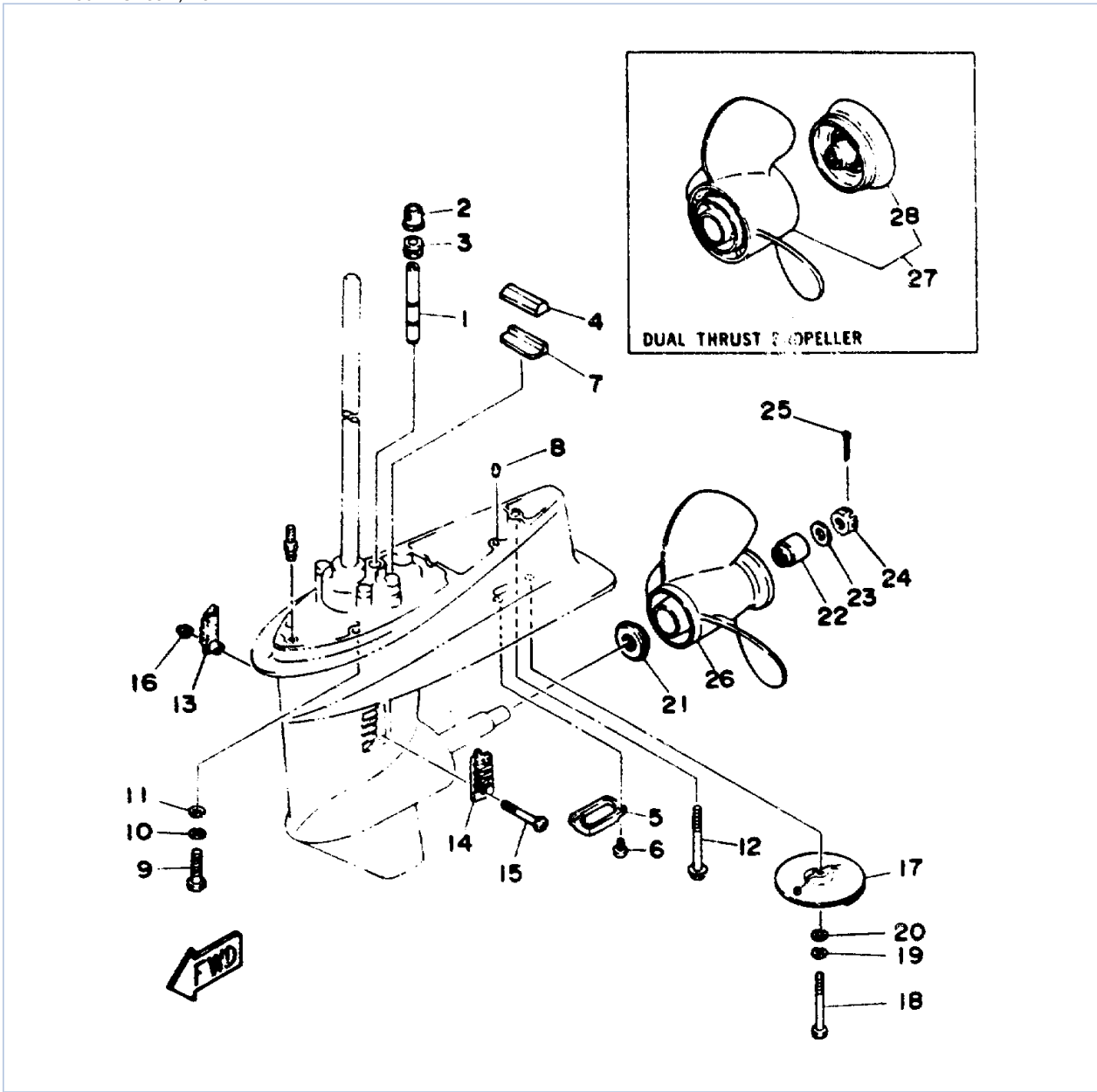
## Part Notes

30ELHS 1994 / LOWER DRIVE 1

| PART NUMBER     |   | NOTE TEXT  |
|-----------------|---|--|
| 90430-08020-00  |  | OEM: This part number is among the Top 100 Most Popular Marine Maintenance Parts as of March 2014. |
| 6H4-44352-02-00 |  | OEM: This part number is among the Top 100 Most Popular Marine Maintenance Parts as of March 2014. |

©2014 Yamaha Motor Corporation, U.S.A. All rights reserved.

30ELHS 1994 / LOWER DRIVE 2



©2014 Yamaha Motor Corporation, U.S.A. All rights reserved.


## Part List

30ELHS 1994 / LOWER DRIVE 2

| REF - NO | PART NUMBER     | PART NAME                      | QUANTITY | REMARKS         |
|----------|-----------------|--------------------------------|----------|-----------------|
| 1        | 6J8-44361-00-00 | TUBE, WATER                    | 1        | UR SHORT        |
| 1        | 6J8-44361-10-00 | TUBE, WATER                    | 1        | UR LONG         |
| 2        | 6J8-44366-00-00 | DAMPER, WATER SEAL             | 1        |                 |
| 3        | 663-44367-00-00 | DAMPER, WATER SEAL 3           | 1        |                 |
| 4        | 688-45375-00-00 | DAMPER, SEAL                   | 1        |                 |
| 5        | 6J8-45224-10-00 | COVER, WATER INLET 3           | 1        |                 |
| 6        | 98580-06012-00  | SCREW, PAN HEAD                | 2        |                 |
| 7        | 663-45376-00-94 | GUIDE, SEAL DAMPER             | 1        |                 |
| 8        | 93606-12019-00  | .PIN, DOWEL                    | 2        |                 |
| 9        | 97395-10040-00  | BOLT                           | 4        |                 |
| 10       | 92990-10100-00  | WASHER, SPRING                 | 4        |                 |
| 11       | 92990-10600-00  | WASHER, PLATE                  | 4        |                 |
| 12       | 90119-08M92-00  | BOLT, WITH WASHER              | 1        |                 |
| 13       | 689-45214-01-00 | COVER, WATER INLET             | 1        |                 |
| 14       | 6J8-45215-00-00 | COVER, WATER INLET             | 1        |                 |
| 15       | 98680-05525-00  | SCREW.OVAL HEAD                | 1        |                 |
| 16       | 90185-05002-00  | NUT, NYLON                     | 1        |                 |
| 17       | 664-45371-01-00 | TAB-TRIM                       | 1        |                 |
| 18       | 97395-08020-00  | BOLT, HEXAGON                  | 1        |                 |
| 19       | 92990-08100-00  | WASHER, SPRING                 | 1        |                 |
| 20       | 92990-08600-00  | ..WASHER, PLATE                | 1        |                 |
| 21       | 6L2-45987-01-00 | SPACER 1                       | 1        |                 |
| 22       | 689-45997-00-00 | SPACER 2                       | 1        |                 |
| 23       | 92990-14200-00  | WASHER, PLAIN                  | 1        |                 |
| 24       | 90171-14013-00  | NUT, CASTLE                    | 1        |                 |
| 25       | 91490-30030-00  | PIN, COTTER                    | 1        |                 |
| 26       | 664-45970-00-98 | PROPELLER (3X9-1/8"X13"-F)     | 1        | UR STAINLESS PR |
| 26       | 664-45954-00-EL | PROPELLER (3X9-7/8"X12"-F)     | 1        | UR              |
| 26       | 664-45952-00-EL | PROPELLER (3X9-7/8"X14"-F)     | 1        | UR              |
| 26       | 664-45949-02-EL | PROPELLER (3X9-7/8"X13"-F)     | 1        | UR              |
| 26       | 664-45947-01-EL | PROPELLER (3X9-7/8"X11-1/4"-F) | 1        | UR              |
| 26       | 664-45945-00-EL | PROPELLER (3X9-7/8"X10-1/2"-F) | 1        | UR              |
| 26       | 664-45941-01-EL | PROPELLER (3X9-7/8"X9"-F)      | 1        | UR              |
| 26       | 664-45943-01-EL | PROPELLER (3X9-7/8"X8"-F)      | 1        | UR              |
| 27       | 6J8-W4591-00-EL | PROPELLER (3X10-5/8X8-1/4-F)   | 1        | UR              |
| 28       | 6J8-45986-10-98 | .RING, DEFLECTOR               | 1        | LOW GLOSS BLACK |

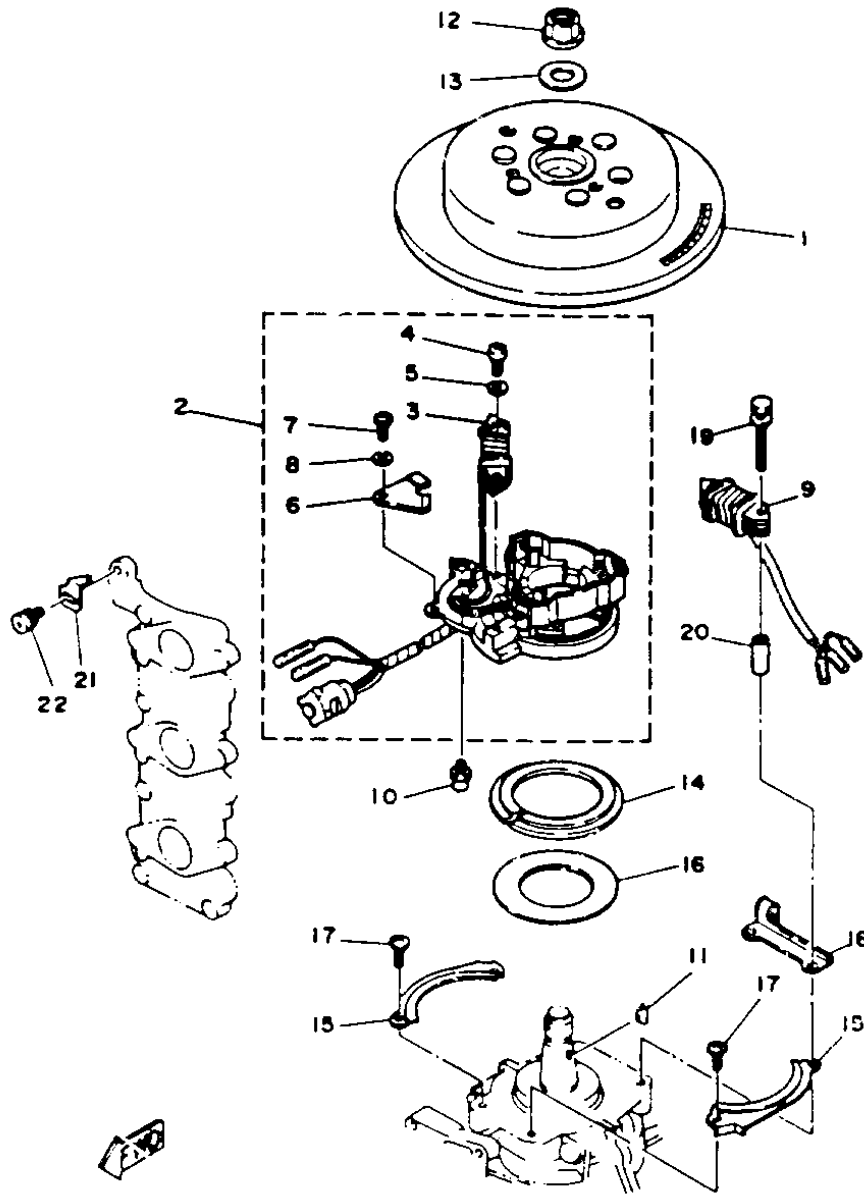
## Part Notes

30ELHS 1994 / LOWER DRIVE 2

| PART NUMBER  | NOTE TEXT  |
|--|--|
| 92990-10600-00  | OEM: This part number is among the Top 100 Most Popular Marine Maintenance Parts as of March 2014. |

©2014 Yamaha Motor Corporation, U.S.A. All rights reserved.

30ELHS 1994 / GENERATOR



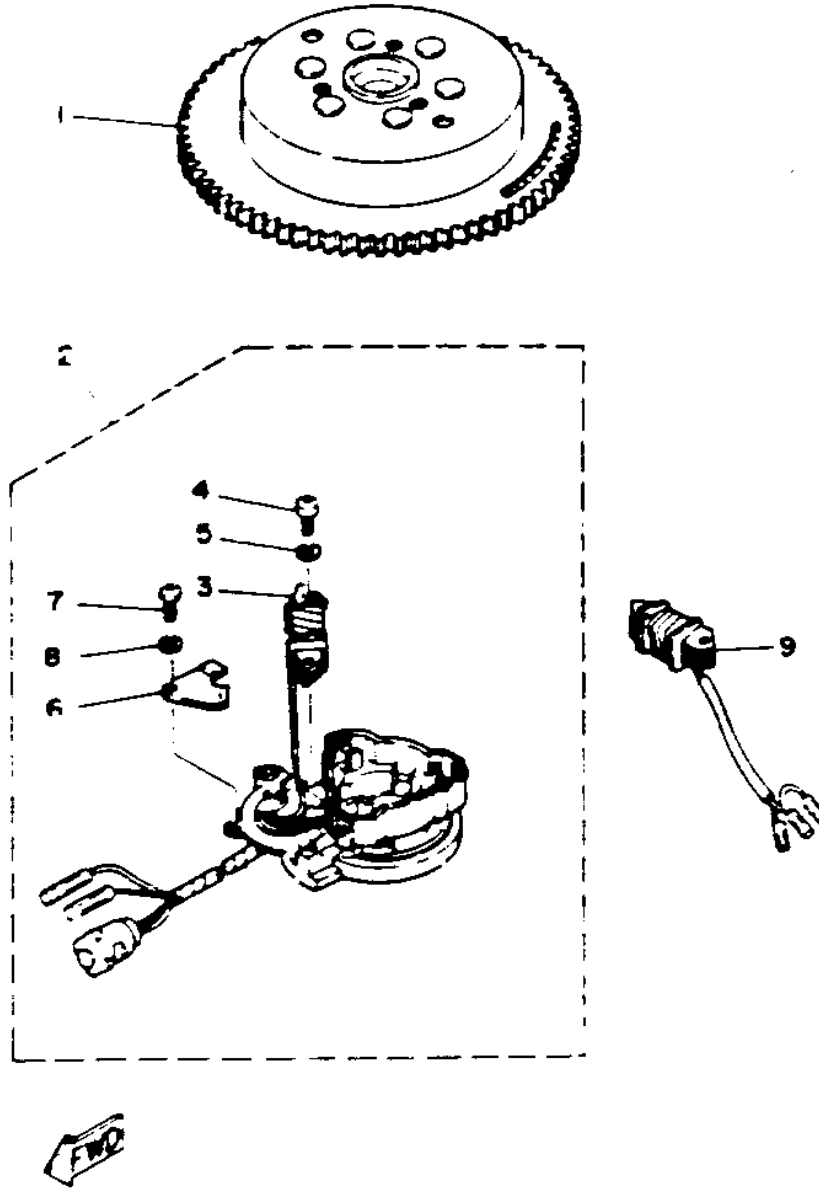
©2014 Yamaha Motor Corporation, U.S.A. All rights reserved.

## Part List

30ELHS 1994 / GENERATOR

| REF<br>-<br>NO | PART<br>NUMBER  | PART NAME              | QUANTITY | REMARKS        |
|----------------|-----------------|------------------------|----------|----------------|
| 1              | 6J8-85550-F0-00 | ROTOR ASSEMBLY         | 1        |                |
| 2              | 6H4-85510-F0-00 | STATOR ASSEMBLY        | 1        | MHR MODEL ONLY |
| 3              | 6H4-85520-00-00 | .COIL, CHARGE          | 1        | MHR MODEL ONLY |
| 4              | 98580-06020-00  | .SCREW, PAN HEAD       | 2        |                |
| 5              | 92995-06100-00  | .WASHER, SPRING        | 2        |                |
| 6              | 6H4-85548-00-00 | .HOLDER                | 1        |                |
| 7              | 98580-05010-00  | .SCREW, PAN HEAD       | 1        |                |
| 8              | 92990-05100-00  | .WASHER, SPRING        | 1        |                |
| 9              | 6H4-85533-A0-00 | COIL, LIGHTING         | 1        |                |
| 10             | 663-85518-00-00 | JOINT, BALL            | 1        |                |
| 11             | 90280-16053-00  | KEY, WOODRUFF          | 1        |                |
| 12             | 90179-16M05-00  | NUT                    | 1        |                |
| 13             | 90201-16M44-00  | WASHER, PLATE          | 1        |                |
| 14             | 6H4-41611-10-00 | RETAINER, MAGNETO BASE | 1        |                |
| 15             | 6J8-41615-00-00 | STOPPER, MAGNETO BASE  | 2        |                |
| 16             | 6J8-41618-00-00 | WASHER, MAGNETO        | 1        |                |
| 17             | 98580-06012-00  | SCREW, PAN HEAD        | 2        |                |
| 18             | 6J8-85548-00-00 | HOLDER                 | 1        |                |
| 19             | 90101-06M00-00  | BOLT                   | 2        |                |
| 20             | 90387-06M76-00  | COLLAR                 | 2        |                |
| 21             | 6J8-81332-00-00 | PLATE, TIMING          | 1        |                |
| 22             | 97985-05210-00  | SCREW, WITH WASHER     | 1        |                |

30ELHS 1994 / GENERATOR (ER)



©2014 Yamaha Motor Corporation, U.S.A. All rights reserved.

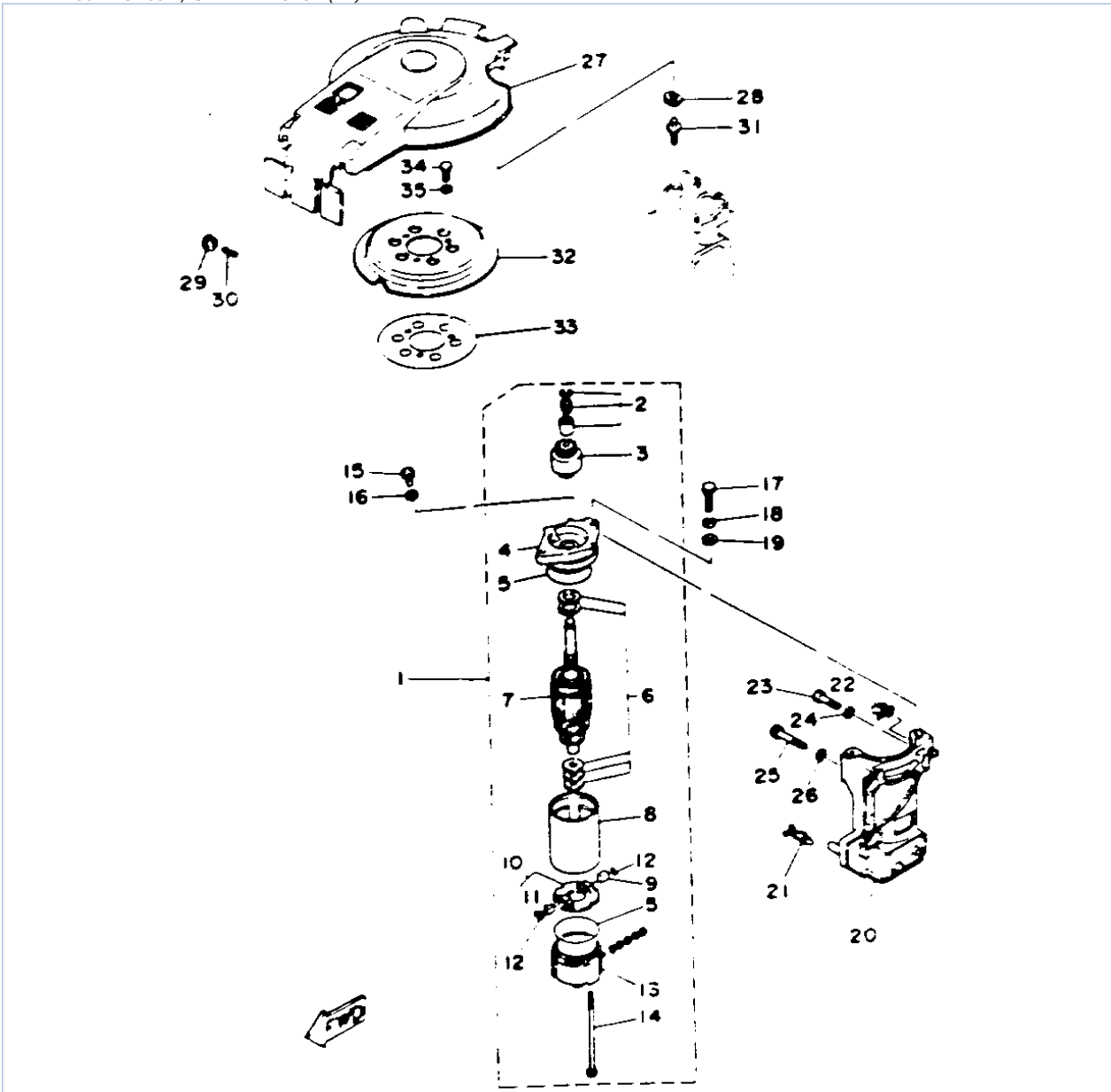
## Part List

30ELHS 1994 / GENERATOR (ER)

| REF<br>-<br>NO | PART<br>NUMBER  | PART NAME        | QUANTITY | REMARKS |
|----------------|-----------------|------------------|----------|---------|
| 1              | 6J8-85550-A0-00 | ROTOR ASSEMBLY   | 1        |         |
| 2              | 6J8-85510-A0-00 | STATOR ASSEMBLY  | 1        |         |
| 3              | 6J8-85520-00-00 | .COIL, CHARGE    | 1        |         |
| 4              | 98580-06020-00  | .SCREW, PAN HEAD | 2        |         |
| 5              | 92995-06100-00  | .WASHER, SPRING  | 2        |         |
| 6              | 6H4-85548-00-00 | .HOLDER          | 1        |         |
| 7              | 98580-05010-00  | .SCREW, PAN HEAD | 1        |         |
| 8              | 92990-05100-00  | .WASHER, SPRING  | 1        |         |
| 9              | 6H4-85533-A0-00 | COIL, LIGHTING   | 1        |         |



30ELHS 1994 / STARTER MOTOR (ER)



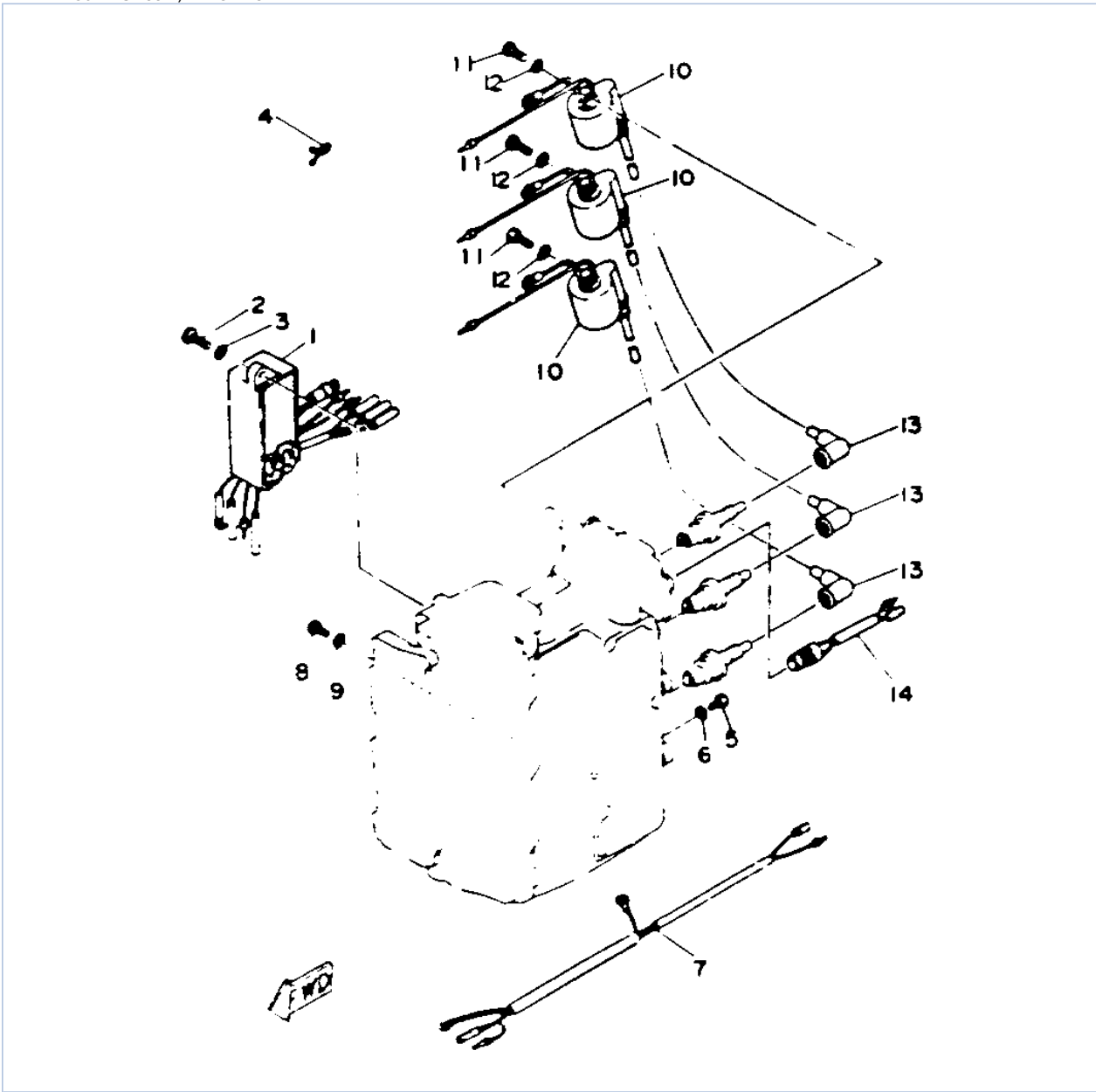
©2014 Yamaha Motor Corporation, U.S.A. All rights reserved.

## Part List

30ELHS 1994 / STARTER MOTOR (ER)

| REF<br>-<br>NO | PART<br>NUMBER  | PART NAME                     | QUANTITY | REMARKS |
|----------------|-----------------|-------------------------------|----------|---------|
| 1              | 6J4-81800-01-00 | STARTING MOTOR<br>ASSEMBLY    | 1        |         |
| 2              | 689-81857-11-00 | .PINION STOPPER SET           | 1        |         |
| 3              | 689-81807-12-00 | .GEAR ASSY, STARTING<br>MOTOR | 1        |         |
| 4              | 6F5-81830-11-00 | .FRONT BRACKET ASSY           | 1        |         |
| 5              | 689-81847-11-00 | .O-RING                       | 2        |         |
| 6              | 689-81809-11-00 | .WASHER KIT                   | 1        |         |
| 7              | 689-81850-12-00 | .ARMATURE ASSY                | 1        |         |
| 8              | 689-81810-11-00 | .STATOR ASSY                  | 1        |         |
| 9              | 689-81811-11-00 | .BRUSH 1                      | 1        |         |
| 10             | 689-81840-11-00 | .BRUSH HOLDER ASSY            | 1        |         |
| 11             | 689-81812-11-00 | ..BRUSH 2                     | 1        |         |
| 12             | 689-81813-10-00 | .SPRING, BRUSH                | 2        |         |
| 13             | 689-81820-11-00 | .REAR BRACKET ASSY            | 1        |         |
| 14             | 689-81826-10-00 | .BOLT                         | 2        |         |
| 15             | 97313-08016-00  | BOLT, HEXAGON                 | 1        |         |
| 16             | 92990-08600-00  | ..WASHER, PLATE               | 1        |         |
| 17             | 97313-08030-00  | BOLT                          | 2        |         |
| 18             | 92990-08100-00  | WASHER, SPRING                | 2        |         |
| 19             | 92990-08600-00  | ..WASHER, PLATE               | 2        |         |
| 20             | 6J8-81822-00-94 | BRACKET, STARTING MOTOR       | 1        |         |
| 21             | 90464-12M09-00  | CLAMP                         | 2        |         |
| 22             | 90464-03M15-00  | .CLAMP                        | 1        |         |
| 23             | 97313-08035-00  | BOLT                          | 2        |         |
| 24             | 92990-08600-00  | ..WASHER, PLATE               | 2        |         |
| 25             | 97313-08055-00  | BOLT, HEXAGON                 | 1        |         |
| 26             | 92990-08600-00  | ..WASHER, PLATE               | 1        |         |
| 27             | 6J8-81337-10-00 | COVER, FLYWHEEL               | 1        |         |
| 28             | 90480-14M17-00  | GROMMET                       | 1        |         |
| 29             | 90480-10M16-00  | .GROMMET                      | 2        |         |
| 30             | 91690-50022-00  | PIN, SPRING                   | 2        |         |
| 31             | 6J8-81338-00-00 | STAY                          | 1        |         |
| 32             | 6J8-15723-E1-00 | PULLEY, STARTER               | 1        |         |
| 33             | 6J8-81365-A0-00 | GASKET, HOLE COVER            | 1        |         |
| 34             | 97011-08016-00  | BOLT                          | 3        |         |
| 35             | 92990-08600-00  | ..WASHER, PLATE               | 3        |         |

30ELHS 1994 / ELECTRICAL 1



©2014 Yamaha Motor Corporation, U.S.A. All rights reserved.




## Part List

30ELHS 1994 / ELECTRICAL 1

| REF<br>-<br>NO | PART<br>NUMBER  | PART NAME              | QUANTITY | REMARKS |
|----------------|-----------------|------------------------|----------|---------|
| 1              | 6J8-85540-H0-00 | C.D.I. UNIT ASSEMBLY   | 1        |         |
| 2              | 97313-06025-00  | BOLT                   | 2        |         |
| 3              | 92990-06600-00  | WASHER, PLATE          | 2        |         |
| 4              | 90464-16039-00  | CLAMP                  | 1        |         |
| 5              | 97395-06012-00  | BOLT                   | 1        |         |
| 6              | 92990-06600-00  | WASHER, PLATE          | 1        |         |
| 7              | 6J8-82531-00-00 | WIRE, LEAD             | 1        |         |
| 8              | 97395-06012-00  | BOLT                   | 1        |         |
| 9              | 92990-06600-00  | WASHER, PLATE          | 1        |         |
| 10             | 6H4-85570-20-00 | IGNITION COIL ASSEMBLY | 3        |         |
| 11             | 97395-06020-00  | BOLT, HEXAGON          | 6        |         |
| 12             | 92995-06100-00  | WASHER, SPRING         | 6        |         |
| 13             | 663-82370-01-00 | PLUG CAP ASSY          | 3        |         |
| 14             | 689-82560-00-00 | THERMO SWITCH ASSEMBLY | 1        |         |

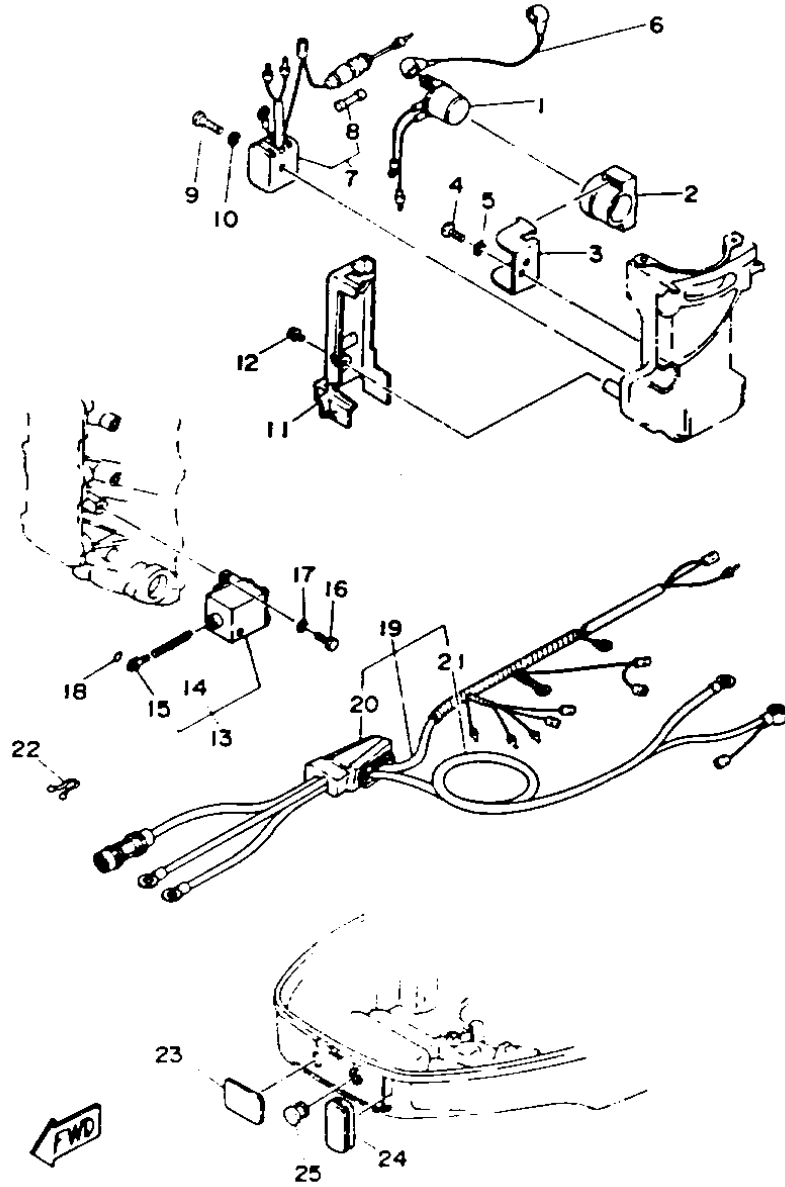
## Part Notes

30ELHS 1994 / ELECTRICAL 1

| PART NUMBER    |  | NOTE TEXT  |
|----------------|--|--|
| 92990-06600-00 |   | OEM: This part number is among the Top 100 Most Popular Marine Maintenance Parts as of March 2014. |
| 92990-06600-00 |   | OEM: This part number is among the Top 100 Most Popular Marine Maintenance Parts as of March 2014. |
| 92990-06600-00 |  | OEM: This part number is among the Top 100 Most Popular Marine Maintenance Parts as of March 2014. |

©2014 Yamaha Motor Corporation, U.S.A. All rights reserved.

30ELHS 1994 / ELECTRIC PARTS (ER)



©2014 Yamaha Motor Corporation, U.S.A. All rights reserved.



## Part List

30ELHS 1994 / ELECTRIC PARTS (ER)

| REF<br>-<br>NO | PART<br>NUMBER  | PART NAME             | QUANTITY | REMARKS |
|----------------|-----------------|-----------------------|----------|---------|
| 1              | 6G1-81941-10-00 | STARTER RELAY ASSY    | 1        |         |
| 2              | 6G1-81952-00-00 | HOLDER, RELAY         | 1        |         |
| 3              | 6J8-81945-00-00 | PLATE, SWITCH FITTING | 1        |         |
| 4              | 97313-06016-00  | BOLT, HEXAGON         | 1        |         |
| 5              | 92990-06600-00  | WASHER, PLATE         | 1        |         |
| 6              | 6F5-82117-00-00 | WIRE, LEAD            | 1        |         |
| 7              | 6G1-81970-61-00 | RECTIFIER ASSY        | 1        |         |
| 8              | 6G1-82151-00-00 | .FUZE (10A)           | 1        |         |
| 9              | 98503-05025-00  | SCREW, PAN HEAD       | 1        |         |
| 10             | 92990-05600-00  | WASHER, PLATE         | 1        |         |
| 11             | 6J8-81916-00-00 | COVER, TERMINAL       | 1        |         |
| 12             | 97985-05210-00  | SCREW, WITH WASHER    | 2        |         |
| 13             | 6J8-86110-00-00 | SOLENOID              | 1        |         |
| 14             | 6J8-86116-00-00 | .WIRE PULL            | 1        |         |
| 15             | 682-86117-00-00 | .HOOK, WIRE PULL      | 1        |         |
| 16             | 97313-06016-00  | BOLT, HEXAGON         | 2        |         |
| 17             | 92990-06600-00  | WASHER, PLATE         | 2        |         |
| 18             | 93210-03261-00  | O-RING                | 1        |         |
| 19             | 6J8-82580-00-00 | WIRE HARNESS ASSY 2   | 1        |         |
| 20             | 6J8-42724-50-00 | .GROMMET              | 1        |         |
| 21             | 689-82105-12-00 | .BATTERY CABLE        | 1        |         |
| 22             | 90464-05M16-00  | CLAMP                 | 1        |         |
| 23             | 6J8-42726-20-00 | GROMMET               | 1        |         |
| 24             | 6J8-42726-10-00 | GROMMET               | 1        |         |
| 25             | 6H4-42725-00-00 | GROMMET               | 1        |         |

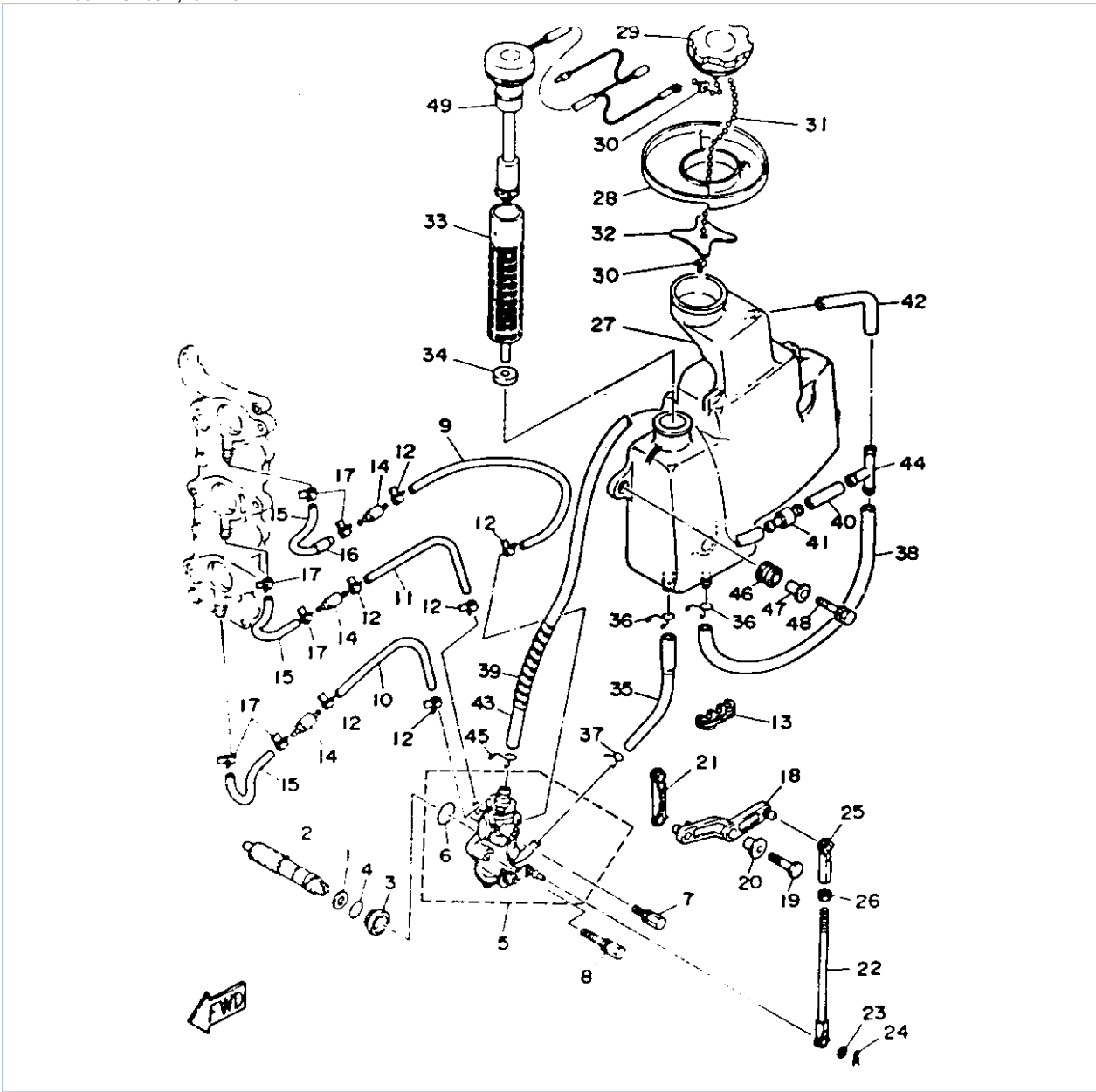
## Part Notes

30ELHS 1994 / ELECTRIC PARTS (ER)

| PART NUMBER  | NOTE TEXT  |
|--|--|
| 92990-06600-00  | OEM: This part number is among the Top 100 Most Popular Marine Maintenance Parts as of March 2014. |
| 92990-06600-00  | OEM: This part number is among the Top 100 Most Popular Marine Maintenance Parts as of March 2014. |

©2014 Yamaha Motor Corporation, U.S.A. All rights reserved.

30ELHS 1994 / OIL PUMP



©2014 Yamaha Motor Corporation, U.S.A. All rights reserved.

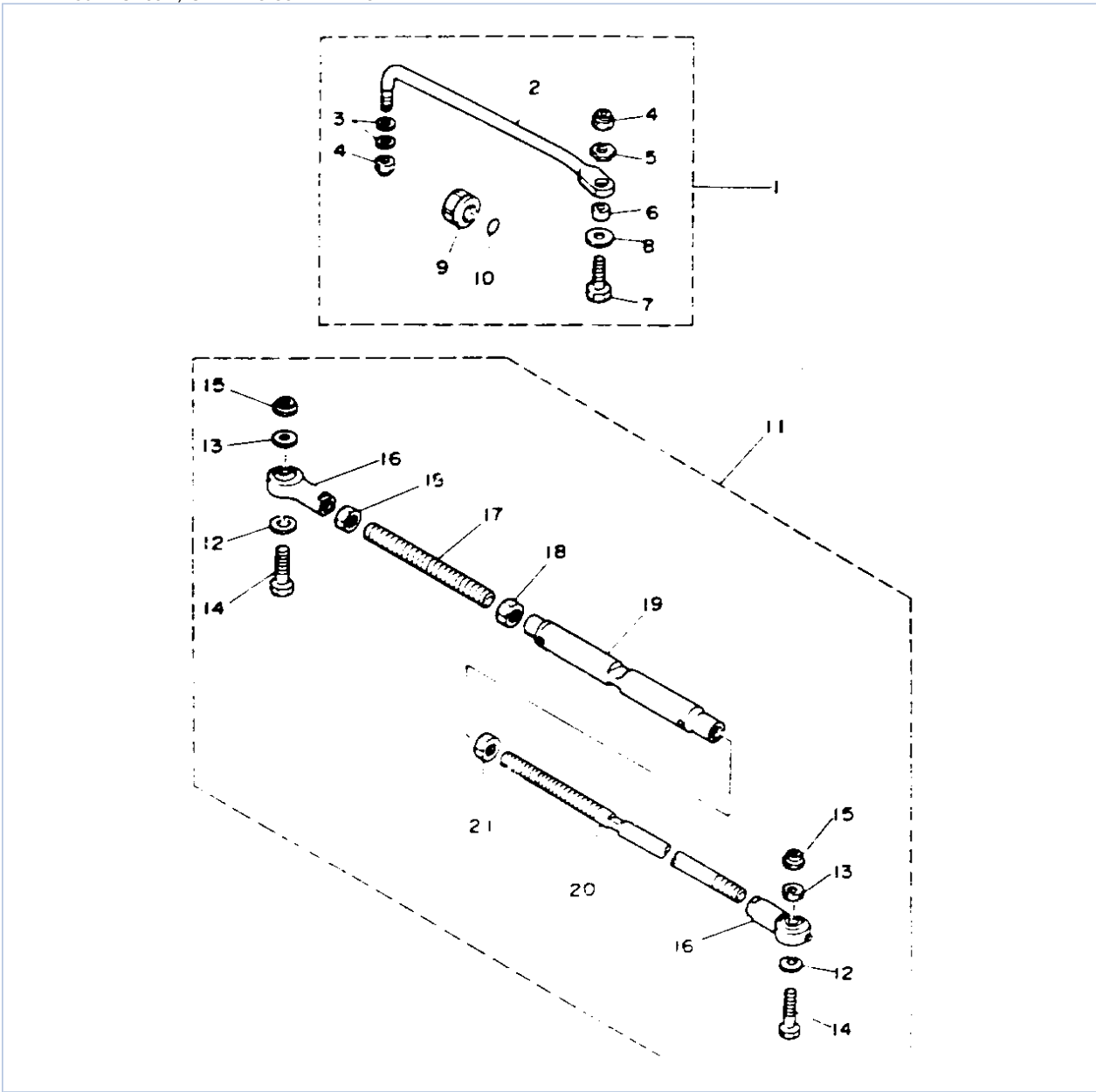
## Part List

30ELHS 1994 / OIL PUMP

| REF<br>-<br>NO | PART<br>NUMBER  | PART NAME               | QUANTITY | REMARKS       |
|----------------|-----------------|-------------------------|----------|---------------|
| 1              | 90201-08M93-00  | WASHER, PLATE           | 1        |               |
| 2              | 6J8-11537-00-00 | GEAR, DRIVEN            | 1        |               |
| 3              | 6J8-13117-00-00 | COLLAR, DISTANCE        | 1        |               |
| 4              | 93210-13595-00  | O-RING                  | 1        |               |
| 5              | 6J8-13200-01-00 | OIL INJECTION PUMP ASSY | 1        |               |
| 6              | 93210-19M82-00  | .O-RING                 | 1        |               |
| 7              | 90109-05M32-00  | BOLT                    | 1        |               |
| 8              | 90109-05M33-00  | BOLT                    | 1        |               |
| 9              | 90445-07M08-00  | HOSE (L220)             | 1        |               |
| 10             | 90445-07M32-00  | HOSE (L120)             | 1        |               |
| 11             | 90445-07M32-00  | HOSE (L120)             | 1        |               |
| 12             | 90468-07M02-00  | CLIP                    | 6        |               |
| 13             | 90464-07M05-00  | CLAMP                   | 1        |               |
| 14             | 6E9-13183-70-00 | VALVE, CHECK            | 3        |               |
| 15             | 90445-07M04-00  | HOSE (L50)              | 3        |               |
| 16             | 90445-11M08-00  | HOSE (L10)              | 1        |               |
| 17             | 90468-07M02-00  | CLIP                    | 6        |               |
| 18             | 6J8-13155-00-00 | LEVER, CONTROL          | 1        |               |
| 19             | 97313-06025-00  | BOLT                    | 1        |               |
| 20             | 90387-06M60-00  | COLLAR                  | 1        |               |
| 21             | 6J8-41238-00-00 | JOINT, LINK             | 1        |               |
| 22             | 6J8-41237-00-00 | JOINT, LINK             | 1        |               |
| 23             | 90202-05088-00  | WASHER, PLATE           | 1        |               |
| 24             | 90468-05M03-00  | CLIP                    | 1        |               |
| 25             | 682-41237-00-00 | JOINT, LINK             | 1        |               |
| 26             | 95380-05700-00  | NUT                     | 1        |               |
| 27             | 6J8-21707-01-00 | OIL TANK COMP.          | 1        | UR 30ER MODEL |
| 27             | 6J8-21707-11-00 | OIL TANK COMP.          | 1        | UR 30MH MODEL |
| 28             | 6J8-2173M-00-00 | SEAL 3                  | 1        | 30ER MODEL    |
| 29             | 6H4-21770-00-00 | OIL TANK CAP ASSY       | 1        |               |
| 30             | 6H1-21757-00-00 | WASHER, SPECIAL 1       | 2        |               |
| 31             | 6H1-24633-00-00 | CHAIN, BALL             | 1        |               |
| 32             | 6J8-21758-00-00 | WASHER, SPECIAL 2       | 1        |               |
| 33             | 6J8-13411-00-00 | STRAINER, OIL           | 1        |               |
| 34             | 6J8-13414-00-00 | GASKET, STRAINER COVER  | 1        |               |
| 35             | 6J8-13416-00-00 | PIPE, OIL 1             | 1        |               |
| 36             | 90467-11M08-00  | CLIP                    | 2        |               |
| 37             | 90467-08004-00  | CLIP                    | 1        |               |
| 38             | 90445-11M03-00  | HOSE (L330)             | 1        |               |
| 39             | 90446-10M01-00  | HOSE (L60)              | 1        |               |
| 40             | 90445-11M07-00  | HOSE (L30)              | 1        |               |
| 41             | 6J8-21744-00-00 | BREATHER                | 1        |               |
| 42             | 90445-11M02-00  | HOSE (L100)             | 1        |               |
| 43             | 90445-11M04-00  | HOSE (L400)             | 1        |               |
| 44             | 6E5-24378-00-00 | PIPE, JOINT 3           | 1        |               |
| 45             | 90467-10M04-00  | CLIP                    | 1        |               |
| 46             | 6A0-82317-00-00 | DAMPER, IGNITION COIL   | 3        |               |
| 47             | 624-42542-00-00 | PIPE                    | 3        |               |
| 48             | 90119-06M65-00  | BOLT, WITH WASHER       | 3        |               |
| 49             | 6J8-85720-01-00 | OIL LEVEL GAUGE ASSY    | 1        |               |



30ELHS 1994 / STEERING GUIDE ATTACHMENT



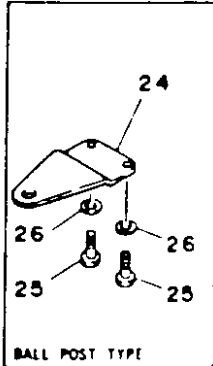
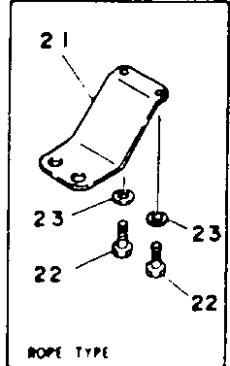
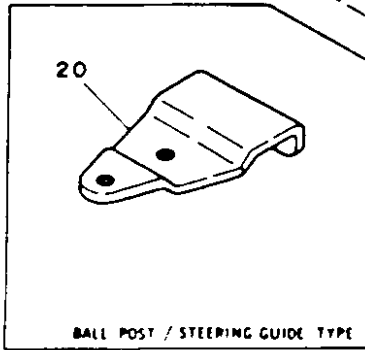
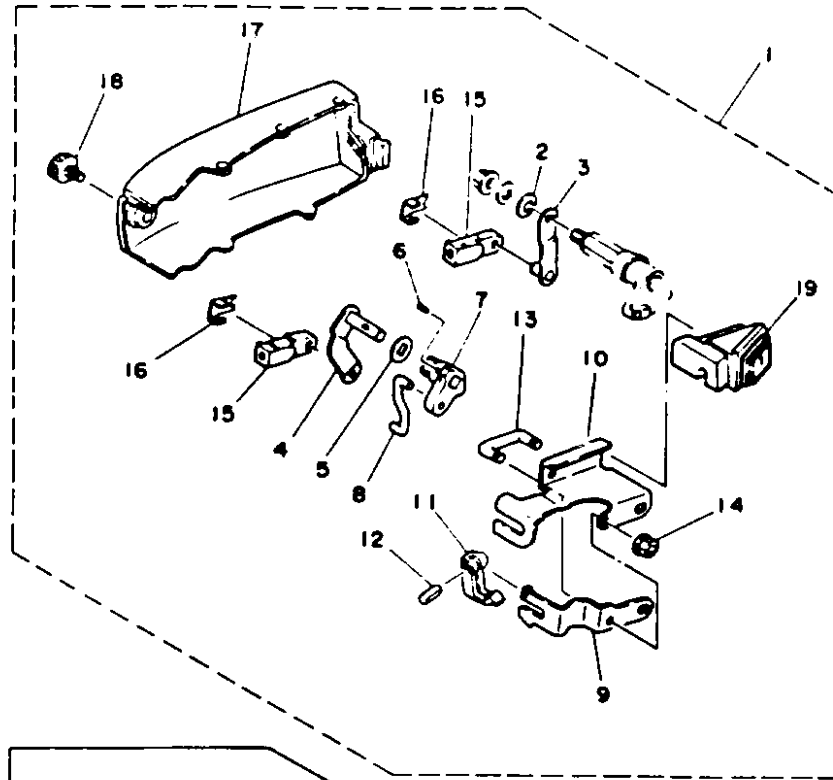
©2014 Yamaha Motor Corporation, U.S.A. All rights reserved.

## Part List

30ELHS 1994 / STEERING GUIDE ATTACHMENT

| REF<br>-<br>NO | PART<br>NUMBER  | PART NAME                        | QUANTITY | REMARKS |
|----------------|-----------------|----------------------------------|----------|---------|
| 1              | 689-61350-02-00 | STEERING GUIDE<br>ATTACHMENT KIT | 1        |         |
| 2              | 689-61351-01-00 | .ROD, STEERING LINK              | 1        |         |
| 3              | 90201-10M20-00  | .WASHER, PLATE                   | 2        |         |
| 4              | 90185-09M01-00  | .NUT, SELF-LOCKING               | 2        |         |
| 5              | 90170-09M03-00  | .NUT                             | 1        |         |
| 6              | 90387-10M42-00  | .COLLAR                          | 1        |         |
| 7              | 6E5-61355-00-00 | .BOLT                            | 1        |         |
| 8              | 90201-10M63-00  | .WASHER, PLATE                   | 1        |         |
| 9              | 6E5-43145-00-00 | .CAP, CLAMP BRACKET              | 1        |         |
| 10             | 93210-16275-00  | .O-RING                          | 1        |         |
| 11             | 688-61301-01-00 | TIE BAR KIT (L:430-630MM)        | 1        |         |
| 12             | 90201-10M76-00  | .WASHER, PLATE                   | 2        |         |
| 13             | 90170-09M05-00  | .NUT                             | 2        |         |
| 14             | 90101-09M70-00  | .BOLT                            | 2        |         |
| 15             | 90185-09M01-00  | .NUT, SELF-LOCKING               | 2        |         |
| 16             | 6E5-61303-00-00 | .STEERING AXLE COMP              | 2        |         |
| 17             | 6E5-61315-00-00 | .TIE BAR                         | 1        |         |
| 18             | 95380-14700-00  | .NUT                             | 2        |         |
| 19             | 6E5-61313-00-00 | .ADJUSTER                        | 1        |         |
| 20             | 688-61311-11-00 | .TIE BAR                         | 1        |         |
| 21             | 90170-14M06-00  | .NUT                             | 1        |         |

30ELHS 1994 / REMOTE CONTROL ATTACHMENT



©2014 Yamaha Motor Corporation, U.S.A. All rights reserved.



## Part List

30ELHS 1994 / REMOTE CONTROL ATTACHMENT

| REF<br>-<br>NO | PART<br>NUMBER  | PART NAME                     | QUANTITY | REMARKS        |
|----------------|-----------------|-------------------------------|----------|----------------|
| 1              | 6J8-48501-02-EK | ATTACHMENT ASSEMBLY           | 1        |                |
| 2              | 92990-08100-00  | .WASHER, SPRING               | 1        |                |
| 3              | 6J8-48534-00-00 | .THROTTLE LEVER, CONTROL      | 1        |                |
| 4              | 6J8-48544-01-00 | .LEVER, SHIFTCONTROL          | 1        |                |
| 5              | 6J8-44177-00-00 | .WASHER                       | 1        |                |
| 6              | 91690-30316-00  | .PIN, SPRING                  | 1        |                |
| 7              | 6J8-44173-02-00 | .LEVER, SHIFT CONTROL         | 1        |                |
| 8              | 6J8-42169-01-00 | .JOINT                        | 1        |                |
| 9              | 6J8-48531-00-00 | .BRACKET, REMOTE<br>CONTROL 1 | 1        |                |
| 10             | 6J8-48532-00-00 | .BRACKET, REMOTE<br>CONTROL 2 | 1        |                |
| 11             | 682-48538-50-00 | .CLAMP, CABLE 1               | 1        |                |
| 12             | 91690-30012-00  | .PIN, SPRING                  | 1        |                |
| 13             | 90109-06M29-00  | .BOLT                         | 1        |                |
| 14             | 90179-06M24-00  | .NUT                          | 2        |                |
| 15             | 6G8-26363-00-00 | .END, WIRE 1                  | 2        |                |
| 16             | 6G8-26364-00-00 | .END, CABLE                   | 2        |                |
| 17             | 6J8-42723-50-00 | .COVER, BOTTOM                | 1        |                |
| 18             | 6J8-42846-00-00 | .SCREW                        | 1        |                |
| 19             | 6J8-42724-10-00 | .GROMMET                      | 1        |                |
| 20             | 6J8-48511-51-EK | HOOK STEERING                 | 1        | STEERING GUIDE |
| 21             | 6G8-48511-00-00 | HOOK STEERING                 | 1        | ROPE TYPE      |
| 22             | 97395-06016-00  | BOLT, HEX                     | 2        |                |
| 23             | 92990-06600-00  | WASHER, PLATE                 | 2        |                |
| 24             | 6G8-48511-10-00 | HOOK, STEERING                | 1        | BALL POST TYPE |
| 25             | 97395-06016-00  | BOLT, HEX                     | 2        |                |
| 26             | 92990-06600-00  | WASHER, PLATE                 | 2        |                |

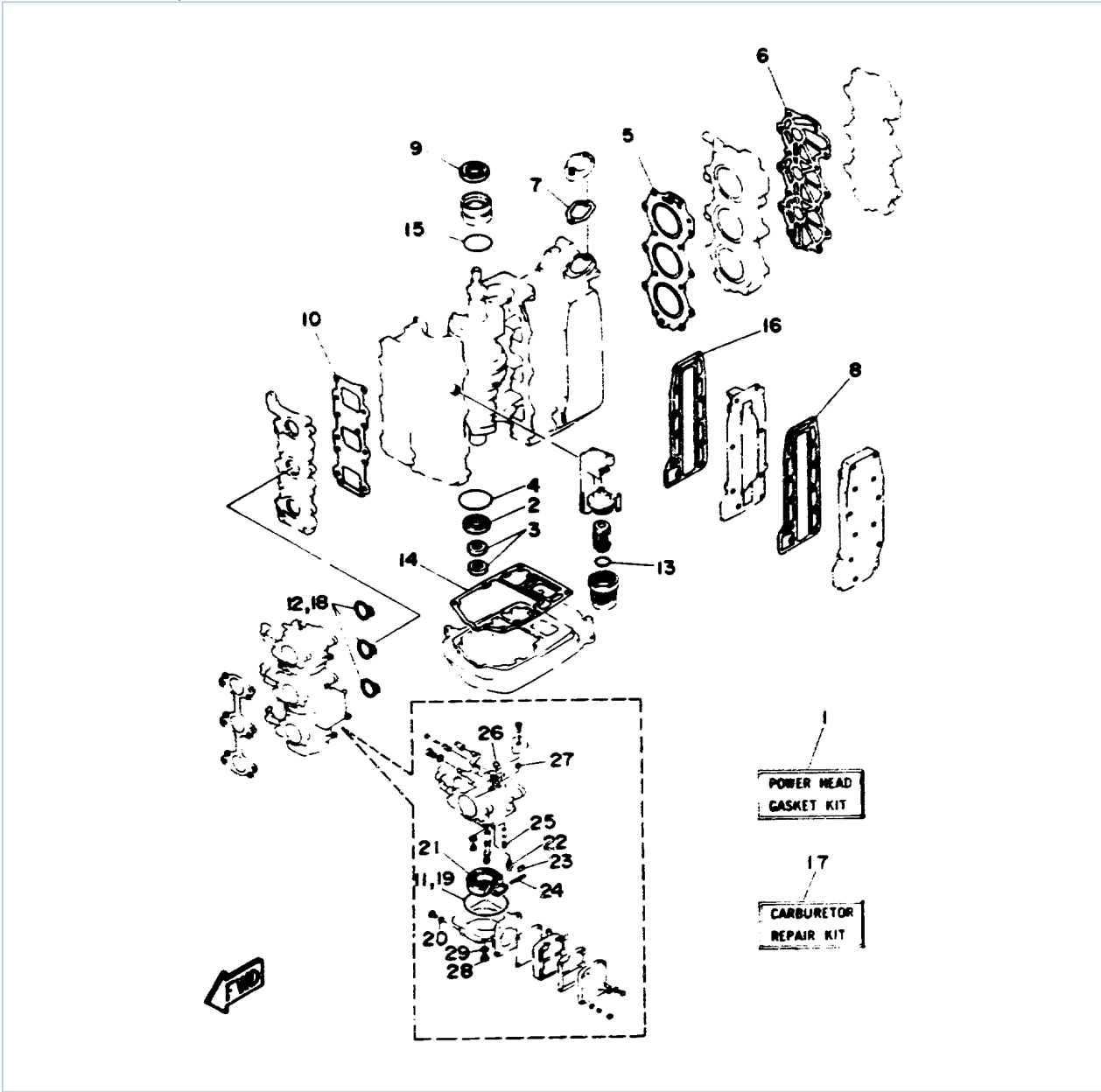
## Part Notes

30ELHS 1994 / REMOTE CONTROL ATTACHMENT

| PART NUMBER    |   | NOTE TEXT  |
|----------------|---|--|
| 92990-06600-00 |  | OEM: This part number is among the Top 100 Most Popular Marine Maintenance Parts as of March 2014. |
| 92990-06600-00 |  | OEM: This part number is among the Top 100 Most Popular Marine Maintenance Parts as of March 2014. |

©2014 Yamaha Motor Corporation, U.S.A. All rights reserved.

30ELHS 1994 / REPAIR KIT 1



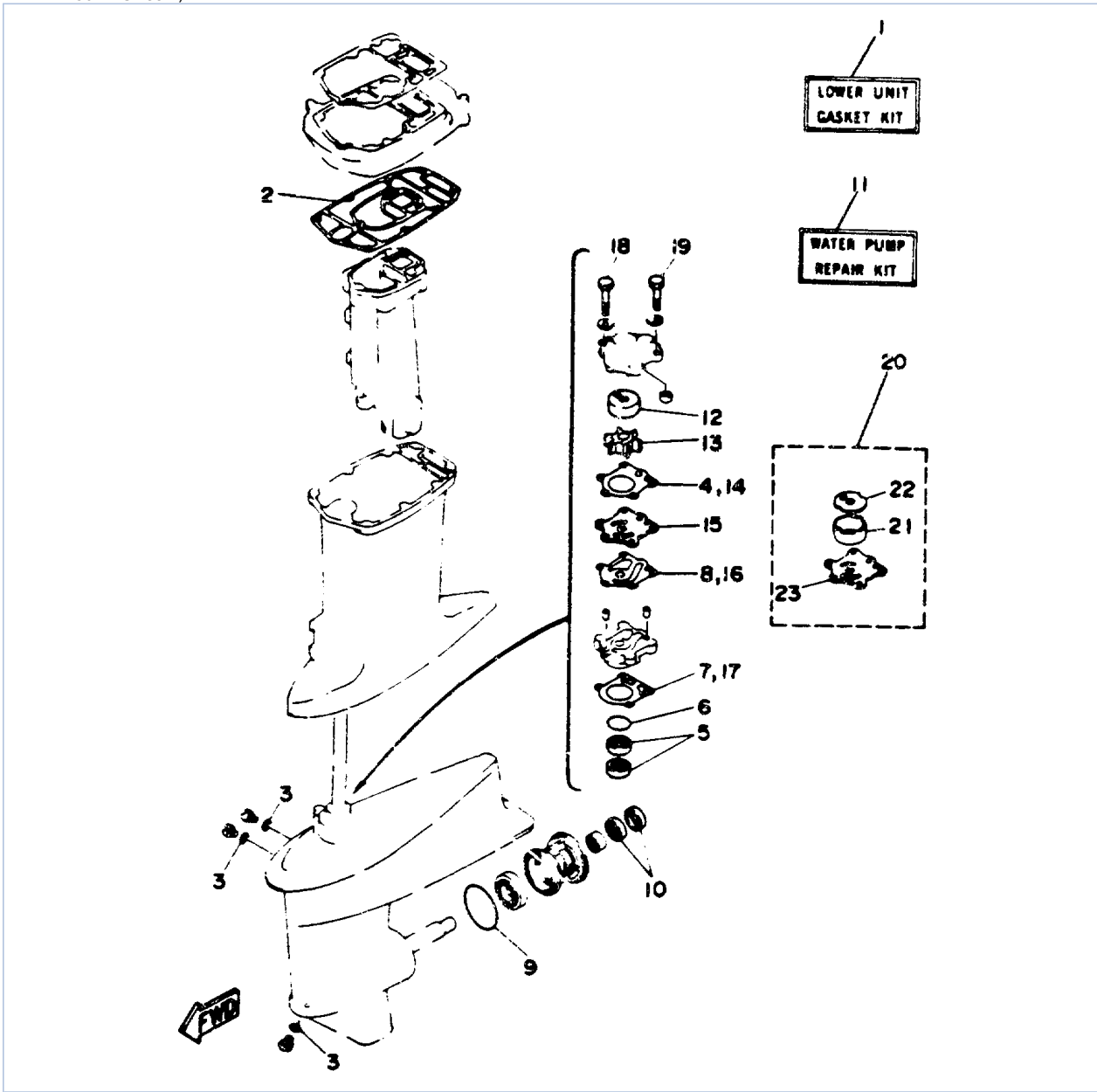
©2014 Yamaha Motor Corporation, U.S.A. All rights reserved.

## Part List

30ELHS 1994 / REPAIR KIT 1

| REF<br>-<br>NO | PART<br>NUMBER  | PART NAME                       | QUANTITY | REMARKS |
|----------------|-----------------|---------------------------------|----------|---------|
| 1              | 6J8-W0001-01-00 | POWERHEAD GASKET KIT            | 1        |         |
| 2              | 93101-25M28-00  | .OIL SEAL                       | 1        |         |
| 3              | 93101-16M36-00  | .OIL SEAL                       | 2        |         |
| 4              | 93210-56M80-00  | .O-RING                         | 1        |         |
| 5              | 6J8-11181-A0-00 | .GASKET, CYLINDER HEAD 1        | 1        |         |
| 6              | 6J8-11193-A1-00 | .GASKET, HEAD COVER 1           | 1        |         |
| 7              | 6J8-12414-A0-00 | .GASKET, COVER                  | 1        |         |
| 8              | 6J8-41114-A0-00 | .GASKET, EXHAUST OUTER<br>COVER | 1        |         |
| 9              | 93102-26M27-00  | .OIL SEAL                       | 1        |         |
| 10             | 6J8-13621-00-00 | .GASKET, VALVE SEAT             | 1        |         |
| 11             | 6J8-14984-00-00 | .GASKET, FLOAT CHAMBER          | 3        |         |
| 12             | 6J8-14198-00-00 | .GASKET                         | 3        |         |
| 13             | 93210-37M25-00  | .O-RING                         | 1        |         |
| 14             | 6J8-45113-A0-00 | .GASKET, UPPER CASING           | 1        |         |
| 15             | 93210-42159-00  | .O-RING                         | 1        |         |
| 16             | 6J8-41112-A0-00 | .GASKET, EXHAUST INNER<br>COVER | 1        |         |
| 17             | 6J8-W0093-00-00 | CARBURETOR REPAIR KIT           | 1        |         |
| 18             | 6J8-14198-00-00 | .GASKET                         | 3        |         |
| 19             | 6J8-14984-00-00 | .GASKET, FLOAT CHAMBER          | 3        |         |
| 20             | 6J8-14995-00-00 | .GASKET                         | 3        |         |
| 21             | 6J8-14985-00-00 | .FLOAT                          | 3        |         |
| 22             | 6E5-14546-00-00 | .VALVE, NEEDLE                  | 3        |         |
| 23             | 6J8-14159-00-00 | .CLIP                           | 3        |         |
| 24             | 6J8-14548-00-00 | .PIN, FLOAT ARM                 | 3        |         |
| 25             | 6J8-14966-00-00 | .PLUG                           | 3        |         |
| 26             | 6J8-14126-00-00 | .PLUG                           | 3        |         |
| 27             | 6J8-14118-00-00 | .PLUG                           | 3        |         |
| 28             | 98511-04012-00  | .SCREW, PAN HEAD                | 1        |         |
| 29             | 92901-04100-00  | .WASHER, SPRING                 | 3        |         |

30ELHS 1994 / REPAIR KIT 2



©2014 Yamaha Motor Corporation, U.S.A. All rights reserved.



## Part List

30ELHS 1994 / REPAIR KIT 2

| REF<br>-<br>NO | PART<br>NUMBER  | PART NAME               | QUANTITY | REMARKS |
|----------------|-----------------|-------------------------|----------|---------|
| 1              | 6J8-W0001-22-00 | LOWER UNIT GASKET KIT   | 1        |         |
| 2              | 6J8-45114-A1-00 | .GASKET, UPPER CASING   | 1        |         |
| 3              | 90430-08020-00  | .GASKET                 | 2        |         |
| 4              | 663-44315-A0-00 | .GASKET, WATER PUMP     | 1        |         |
| 5              | 93101-23070-00  | .OIL SEAL               | 2        |         |
| 6              | 93210-41042-00  | .O-RING                 | 1        |         |
| 7              | 663-44316-A0-00 | .GASKET, WATER PUMP     | 1        |         |
| 8              | 663-44324-A0-00 | .GASKET, CARTRIDGE      | 1        |         |
| 9              | 93210-60MA3-00  | .O-RING                 | 1        |         |
| 10             | 93101-20M07-00  | .OIL SEAL               | 2        |         |
| 11             | 6J8-W0078-01-00 | WATER PUMP REPAIR KIT   | 1        |         |
| 12             | 663-44322-00-00 | .INSERT, CARTRIDGE      | 1        |         |
| 13             | 6H4-44352-02-00 | .IMPELLER               | 1        |         |
| 14             | 663-44315-A0-00 | .GASKET, WATER PUMP     | 1        |         |
| 15             | 663-44323-00-00 | .OUTER PLATE, CARTRIDGE | 1        |         |
| 16             | 663-44324-A0-00 | .GASKET, CARTRIDGE      | 1        |         |
| 17             | 663-44316-A0-00 | .GASKET, WATER PUMP     | 1        |         |
| 18             | 97395-08050-00  | .BOLT                   | 2        |         |
| 19             | 97395-08040-00  | .BOLT                   | 2        |         |
| 20             | 6H4-W0078-0A-00 | CHROME PUMP KIT         | 1        |         |
| 21             | 670-44322-01-00 | .INSERT, CARTRIDGE      | 1        |         |
| 22             | 670-44321-00-00 | .INNER PLATE, CARTRIDGE | 1        |         |
| 23             | 670-44323-00-00 | .OUTER PLATE, CARTRIDGE | 1        |         |

## Part Notes

30ELHS 1994 / REPAIR KIT 2

| PART NUMBER     |   | NOTE TEXT  |
|-----------------|---|--|
| 90430-08020-00  |  | OEM: This part number is among the Top 100 Most Popular Marine Maintenance Parts as of March 2014. |
| 6H4-44352-02-00 |  | OEM: This part number is among the Top 100 Most Popular Marine Maintenance Parts as of March 2014. |

©2014 Yamaha Motor Corporation, U.S.A. All rights reserved.

©2014 Yamaha Motor Corporation, U.S.A. All rights reserved.