

30ELHS 1994 / CYLINDER CRANKCASE



©2014 Yamaha Motor Corporation, U.S.A. All rights reserved.





Part List

30ELHS 1994 / CYLINDER CRANKCASE

| REF - NO | PART NUMBER | PART NAME | QUANTITY | REMARKS |
|----------|-----------------|------------------------------|----------|---------|
| 1 | 6J8-W0090-42-EK | CRANK-CYLINDER ASSEMBLY | 1 | |
| 2 | 6J8-15100-11-94 | CRANKCASE ASSY | 1 | |
| 3 | 650-11370-00-00 | .CHECK VALVE ASSY | 1 | |
| 4 | 624-14485-00-00 | .PIPE, JOINT | 1 | |
| 5 | 90119-08M19-00 | BOLT, WITH WASHER | 8 | |
| 6 | 97313-06030-00 | BOLT | 6 | |
| 7 | 92990-06600-00 | WASHER, PLATE | 6 | |
| 8 | 93606-12019-00 | .PIN, DOWEL | 2 | |
| 9 | 6F5-11119-00-00 | HANGER, ENGINE | 1 | |
| 10 | 97313-08035-00 | BOLT | 1 | |
| 11 | 6J8-11325-00-00 | ANODE | 2 | |
| 12 | 6H3-11327-00-94 | COVER, ANODE | 2 | |
| 13 | 6H3-11328-00-00 | GROMMET, ANODE | 2 | |
| 14 | 97313-06016-00 | BOLT, HEXAGON | 2 | |
| 15 | 92990-06600-00 | WASHER, PLATE | 2 | |
| 16 | 90445-07M29-00 | HOSE (L135) | 1 | |
| 17 | 90467-06016-00 | CLIP | 2 | |
| 18 | 6J8-11111-00-94 | HEAD, CYLINDER 1 | 1 | |
| 19 | 6J8-11181-A0-00 | GASKET, CYLINDER HEAD 1 | 1 | |
| 20 | 6J8-11191-00-9M | COVER, CYLINDER HEAD 1 | 1 | |
| 21 | 6J8-11193-A1-00 | .GASKET, HEAD COVER 1 | 1 | |
| 22 | 90119-08M21-00 | BOLT, WITH WASHER | 14 | |
| 23 | 688-12411-10-00 | THERMOSTAT | 1 | |
| 24 | 6H4-12413-00-9M | COVER, THERMOSTAT | 1 | |
| 25 | 6J8-12414-A0-00 | GASKET, COVER | 1 | |
| 26 | 97313-06025-00 | BOLT | 2 | |
| 27 | 92990-06600-00 | WASHER, PLATE | 2 | |
| 28 | 6J8-41113-00-9M | OUTER COVER, EXHAUST | 1 | |
| 29 | 676-11372-00-00 | .NIPPLE, HOSE | 1 | |
| 30 | 6J8-41111-00-9M | INNER COVER, EXHAUST | 1 | |
| 31 | 6J8-41114-A0-00 | .GASKET, EXHAUST OUTER COVER | 1 | |
| 32 | 6J8-41112-A0-00 | GASKET, EXHAUST INNER COVER | 1 | |
| 33 | 6J8-1111J-00-00 | PIPE 1 | 1 | |
| 34 | 97013-06035-00 | BOLT | 11 | |
| 35 | 92990-06600-00 | WASHER, PLATE | 11 | |
| 36 | 97313-06025-00 | BOLT | 1 | |
| 37 | 92990-06600-00 | WASHER, PLATE | 1 | |
| 38 | 6J8-45113-A0-00 | .GASKET, UPPER CASING | 1 | |
| 39 | NGK-B7HS1-00-00 | PLUG, SPARK (NGK B7HS-10) | 3 | |

Part Notes

30ELHS 1994 / CYLINDER CRANKCASE

| PART NUMBER | NOTE TEXT |
|--|--|
| 92990-06600-00  | OEM: This part number is among the Top 100 Most Popular Marine Maintenance Parts as of March 2014. |
| 92990-06600-00  | OEM: This part number is among the Top 100 Most Popular Marine Maintenance Parts as of March 2014. |
| 92990-06600-00  | OEM: This part number is among the Top 100 Most Popular Marine Maintenance Parts as of March 2014. |
| 92990-06600-00  | OEM: This part number is among the Top 100 Most Popular Marine Maintenance Parts as of March 2014. |

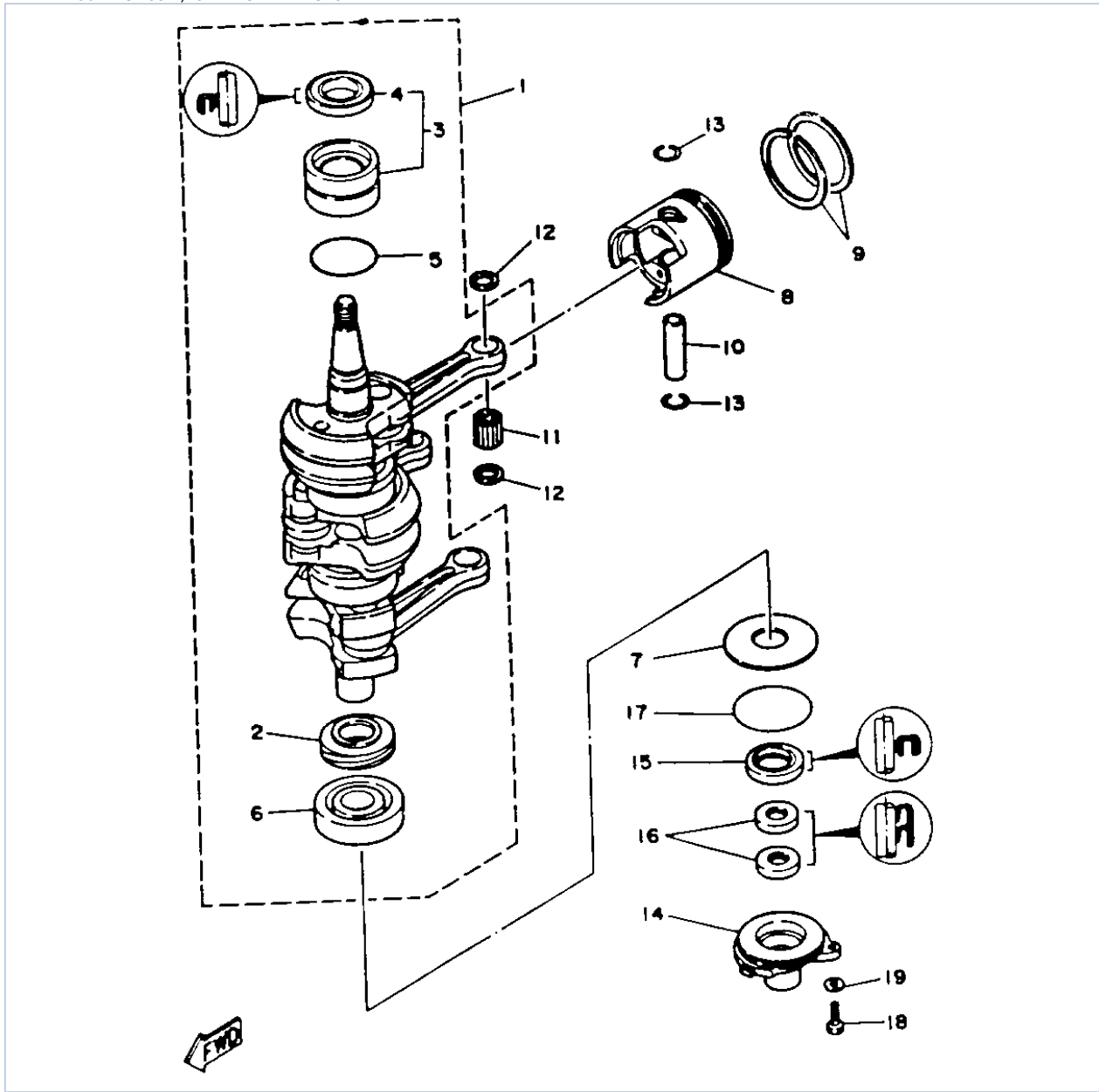
92990-06600-00



OEM: This part number is among the Top 100 Most Popular Marine Maintenance Parts as of March 2014.

©2014 Yamaha Motor Corporation, U.S.A. All rights reserved.

30ELHS 1994 / CRANKSHAFT PISTON



©2014 Yamaha Motor Corporation, U.S.A. All rights reserved.


Part List

30ELHS 1994 / CRANKSHAFT PISTON

| REF - NO | PART NUMBER | PART NAME | QUANTITY | REMARKS |
|----------------|-----------------|----------------------------------|----------|---------|
| 1 | 6J8-11400-11-00 | CRANKSHAFT ASSY | 1 | |
| 2 | 6J8-11536-00-00 | .GEAR, DRIVE | 1 | |
| 3 | 93311-632U7-00 | .BEARING | 1 | |
| 4 | 93102-26M27-00 | ..OIL SEAL | 1 | |
| 5 | 93210-42159-00 | .O-RING | 1 | |
| 6 | 93306-305U3-00 | .BEARING | 1 | |
| 7 | 90201-50306-00 | WASHER, PLATE | 1 | |
| 8 | 6J8-11636-02-00 | PISTON (0.50MM O.S.) | 3 | AP |
| 8 | 6J8-11631-02-97 | PISTON (STD) | 3 | |
| 9 | 6J8-11601-01-00 | PISTON RING SET (STD) | 3 | |
| 9 | 6J8-11601-21-00 | PISTON RING SET (0.50MM O.S.) | 3 | AP |
| 10 | 6J8-11633-00-00 | PIN, PISTON | 3 | |
| 11 | 93602-16M10-00 | PIN, DOWEL | 84 | |
| 12 | 90201-16379-00 | WASHER, PLATE | 6 | |
| 13 | 93450-17129-00 | CIRCLIP | 6 | |
| 14 | 6J8-15396-00-5B | HOUSING, OIL SEAL | 1 | |
| 15 | 93101-25M28-00 | .OIL SEAL | 1 | |
| 16 | 93101-16M36-00 | OIL SEAL | 2 | |
| 17 | 93210-56M80-00 | .O-RING | 1 | |
| 18 | 97313-06016-00 | BOLT, HEXAGON | 2 | |
| 19 | 92990-06600-00 | WASHER, PLATE | 2 | |

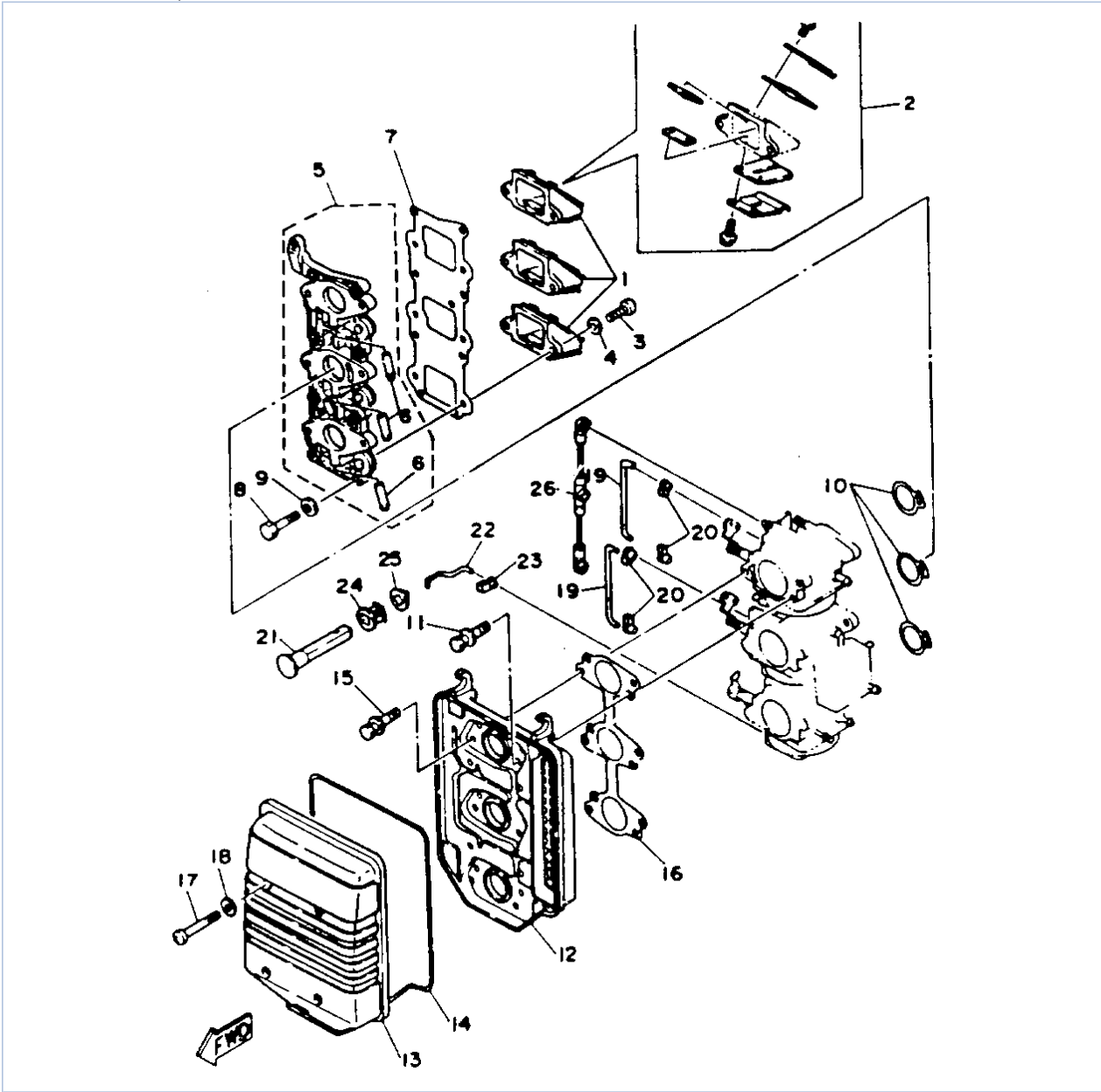
Part Notes

30ELHS 1994 / CRANKSHAFT PISTON

| PART NUMBER | NOTE TEXT |
|--|--|
| 92990-06600-00  | OEM: This part number is among the Top 100 Most Popular Marine Maintenance Parts as of March 2014. |

©2014 Yamaha Motor Corporation, U.S.A. All rights reserved.

30ELHS 1994 / INTAKE



©2014 Yamaha Motor Corporation, U.S.A. All rights reserved.

Part List

30ELHS 1994 / INTAKE

| REF - NO | PART NUMBER | PART NAME | QUANTITY | REMARKS |
|----------------|-----------------|---------------------|----------|---------|
| 1 | 6J8-13610-00-00 | REED VALVE ASSY | 3 | |
| 2 | 6J8-W0004-00-00 | .REED SET | 1 | |
| 3 | 98580-05016-00 | SCREW, PAN HEAD | 6 | |
| 4 | 92990-05600-00 | WASHER, PLATE | 6 | |
| 5 | 6J8-13641-10-94 | MANIFOLD 1 | 1 | |
| 6 | 676-14485-00-00 | .PIPE, JOINT | 3 | |
| 7 | 6J8-13621-00-00 | .GASKET, VALVE SEAT | 1 | |
| 8 | 97313-06025-00 | BOLT | 8 | |
| 9 | 92990-06600-00 | WASHER, PLATE | 8 | |
| 10 | 6J8-14198-00-00 | .GASKET | 3 | |
| 11 | 90119-06M32-00 | BOLT, WITH WASHER | 6 | |
| 12 | 6J8-14417-00-00 | COVER 1 | 1 | |
| 13 | 6J8-14418-00-00 | COVER 2 | 1 | |
| 14 | 6J8-14476-00-00 | SEAL | 1 | |
| 15 | 90119-05M31-00 | BOLT, WITH WASHER | 6 | |
| 16 | 6J8-14483-A1-00 | GASKET | 1 | |
| 17 | 98580-05540-00 | SCREW, PAN HEAD | 4 | |
| 18 | 92990-05600-00 | WASHER, PLATE | 4 | |
| 19 | 6J8-41259-00-00 | ROD, CHOKE 3 | 2 | |
| 20 | 661-41262-02-00 | JOINT, CHOKE LEVER | 4 | |
| 21 | 6J8-41271-01-00 | KNOB, CHOKE | 1 | |
| 22 | 6J8-41257-00-00 | ROD, CHOKE 2 | 1 | |
| 23 | 6J8-41262-00-00 | JOINT, CHOKE LEVER | 1 | |
| 24 | 689-41273-00-00 | GROMMET | 1 | |
| 25 | 6J8-41274-00-00 | GROMMET 2 | 1 | |
| 26 | 6J8-41217-00-00 | ROD, ACCEL. LEVER | 1 | |

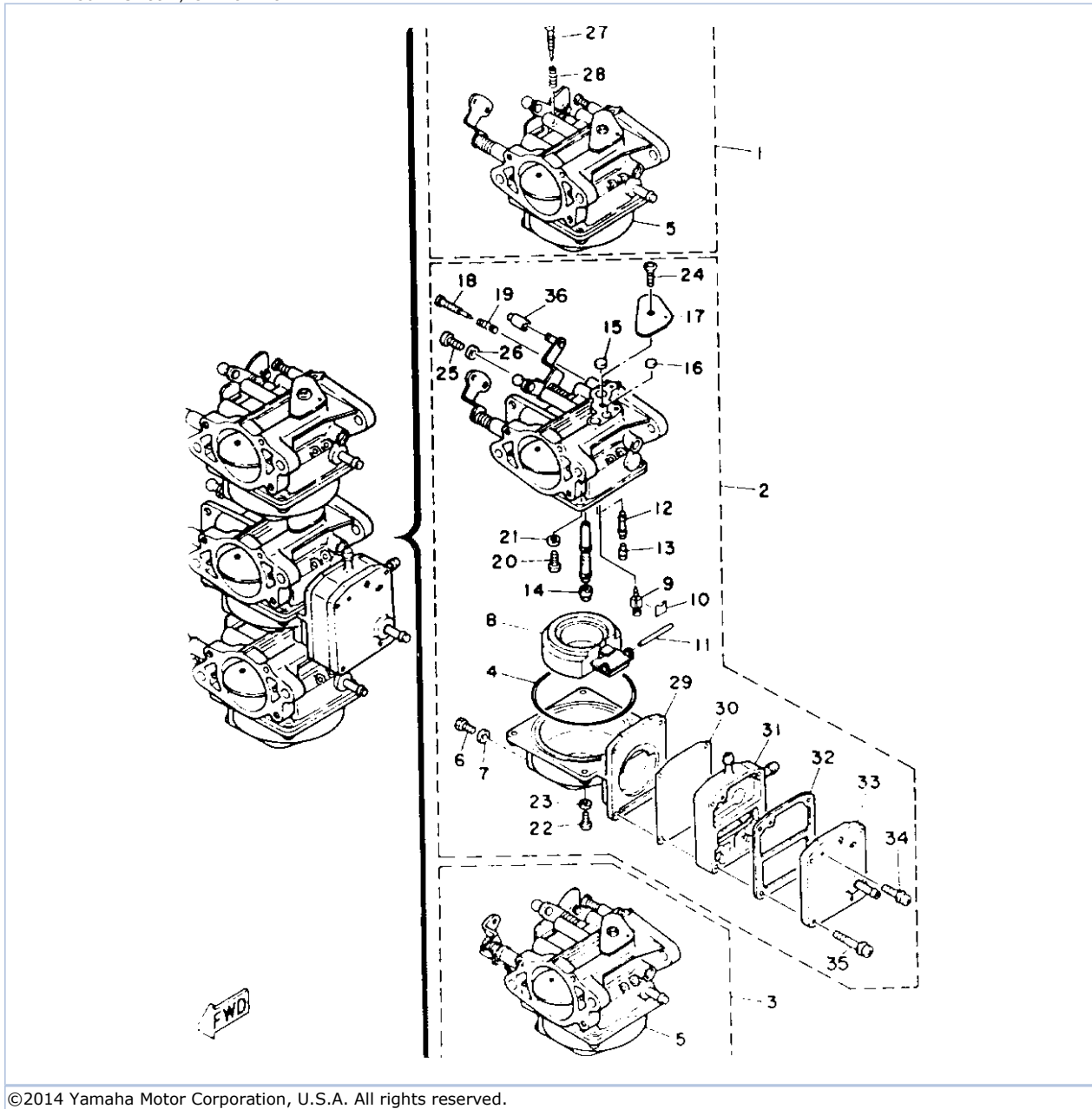
Part Notes

30ELHS 1994 / INTAKE

| PART NUMBER | NOTE TEXT |
|--|--|
| 92990-06600-00  | OEM: This part number is among the Top 100 Most Popular Marine Maintenance Parts as of March 2014. |

©2014 Yamaha Motor Corporation, U.S.A. All rights reserved.

30ELHS 1994 / CARBURETOR



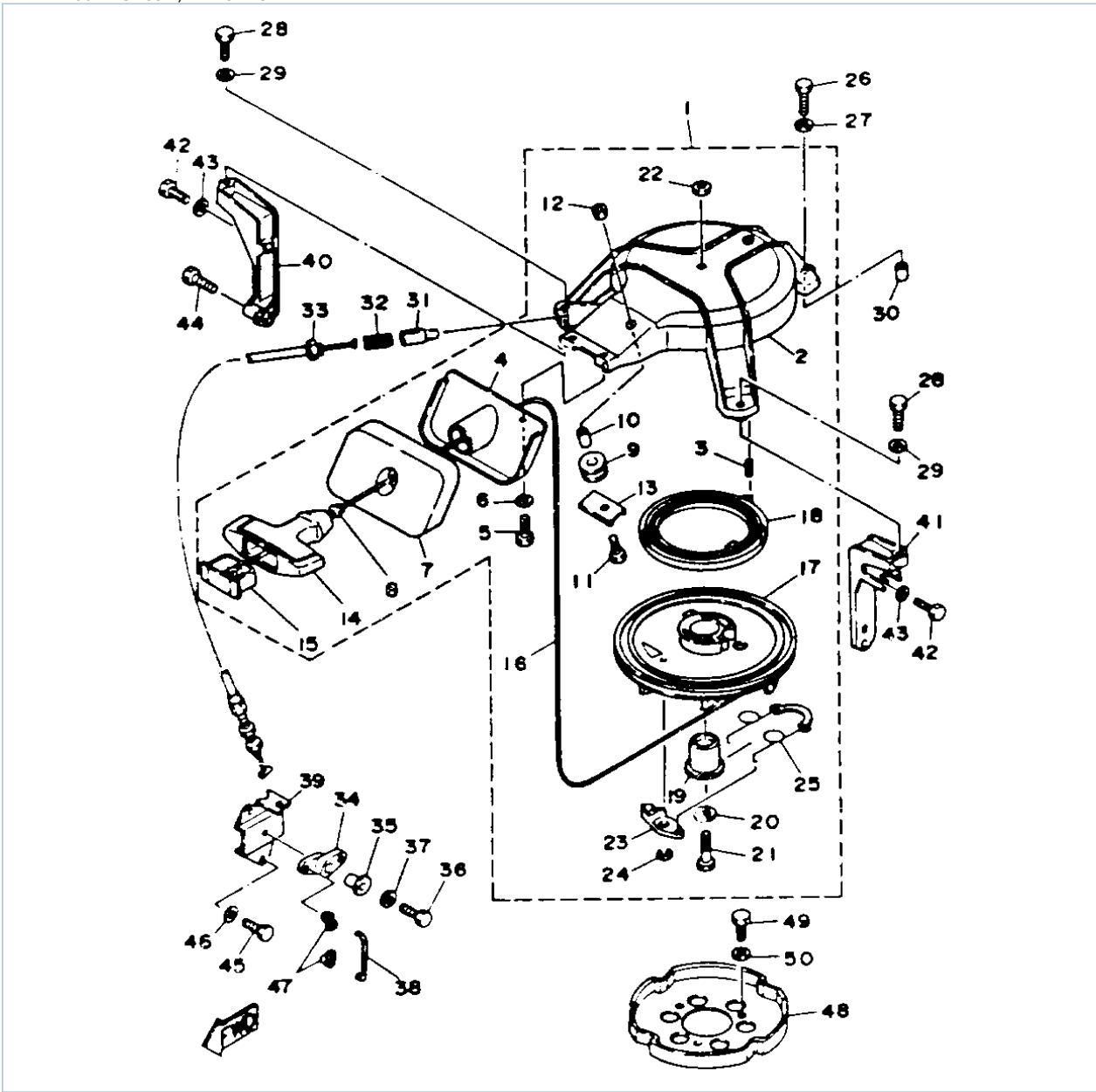
©2014 Yamaha Motor Corporation, U.S.A. All rights reserved.

Part List

30ELHS 1994 / CARBURETOR

| REF - NO | PART NUMBER | PART NAME | QUANTITY | REMARKS |
|----------------|------------------|------------------------|----------|---------|
| 1 | 6J8-14301-11-00 | CARBURETOR ASSY 1 | 1 | UPPER |
| 2 | 6J8-14302-01-00 | CARBURETOR ASSY 2 | 1 | CENTER |
| 3 | 6J8-14303-01-00 | CARBURETOR ASSY 3 | 1 | LOWER |
| 4 | 6J8-14984-00-00 | .GASKET, FLOAT CHAMBER | 3 | |
| 5 | 6J8-14980-00-00 | .BODY, FLOAT CHAMBER | 2 | |
| 6 | 6E5-14383-01-00 | .SCREW, DRAIN | 3 | |
| 7 | 6J8-14995-00-00 | .GASKET | 3 | |
| 8 | 6J8-14985-00-00 | .FLOAT | 3 | |
| 9 | 6E5-14546-00-00 | .VALVE, NEEDLE | 3 | |
| 10 | 6J8-14159-00-00 | .CLIP | 3 | |
| 11 | 6J8-14548-00-00 | .PIN, FLOAT ARM | 3 | |
| 12 | 6J8-1492F-25-00 | .JET, AIR SLOW (#50) | 3 | |
| 13 | 6J8-14966-00-00 | .PLUG | 3 | |
| 14 | 6J8-1492E-51-00 | .JET, MAIN (#102) | 3 | |
| 15 | 6J8-14126-00-00 | .PLUG | 3 | |
| 16 | 6J8-14118-00-00 | .PLUG | 3 | |
| 17 | 6J8-14527-01-00 | .PLATE | 3 | |
| 18 | 6J8-14923-00-00 | .SCREW, PILOT | 3 | |
| 19 | 6J8-14555-00-00 | .SPRING | 3 | |
| 20 | 98580-04010-00 | .SCREW, PAN HEAD | 3 | |
| 21 | 92901-04100-00 | .WASHER, SPRING | 3 | |
| 22 | (97880-04012-00) | SCREW, PAN HEAD | 12 | |
| 23 | 92901-04100-00 | .WASHER, SPRING | 12 | |
| 24 | 98780-05008-00 | .SCREW, FLAT HEAD | 3 | |
| 25 | 6J8-14592-01-00 | .SCREW | 3 | |
| 26 | 92990-05600-00 | .WASHER, PLATE | 3 | |
| 27 | 6J8-14523-00-00 | .SCREW, STOP | 1 | UPPER |
| 28 | 6J8-14334-00-00 | .SPRING, THROTTLE | 1 | UPPER |
| 29 | 6J8-14981-00-00 | .BODY, FLOAT CHAMBER | 1 | CENTER |
| 30 | 6J8-24471-00-00 | .DIAPHRAGM | 1 | |
| 31 | 6J8-24415-00-00 | .BODY 4 | 1 | |
| 32 | 6J8-24432-00-00 | .GASKET, FUEL PUMP 2 | 1 | |
| 33 | 6J8-24452-00-00 | .COVER | 1 | |
| 34 | 97980-03122-00 | .SCREW, WITH WASHER | 1 | |
| 35 | 97980-04124-00 | .SCREW, WITH WASHER | 4 | |
| 36 | 6J8-14578-00-00 | .COLLAR | 1 | CENTER |

30ELHS 1994 / MANUAL STARTER



©2014 Yamaha Motor Corporation, U.S.A. All rights reserved.







Part List

30ELHS 1994 / MANUAL STARTER

| REF - NO | PART NUMBER | PART NAME | QUANTITY | REMARKS |
|----------------|-----------------|--------------------------------|----------|---------|
| 1 | 6J8-15710-01-00 | STARTER ASSEMBLY | 1 | |
| 2 | 6J8-15711-00-94 | .CASE, STARTER | 1 | |
| 3 | 91690-40014-00 | .PIN, SPRING | 1 | |
| 4 | 6J8-15758-00-94 | .GUIDE, ROPE (6J8-15758-00-4D) | 1 | |
| 5 | 97395-06016-00 | .BOLT, HEX | 2 | |
| 6 | 92990-06600-00 | .WASHER, PLATE | 2 | |
| 7 | 6J8-15762-00-00 | .SEAL, RUBBER 2 | 1 | |
| 8 | 6A0-15789-00-00 | .DAMPER | 1 | |
| 9 | 6F5-15752-00-00 | .ROLLER, WIRE | 1 | |
| 10 | 6F5-15753-00-00 | .BUSH | 1 | |
| 11 | 97395-06025-00 | .BOLT | 1 | |
| 12 | 95380-06600-00 | .NUT, HEXAGON | 1 | |
| 13 | 6J8-15787-00-00 | .ADAPTOR | 1 | |
| 14 | 689-15755-01-00 | .HANDLE, STARTER | 1 | |
| 15 | 6F5-15779-02-00 | .COVER | 1 | |
| 16 | 90890-44373-00 | .ROPE, STARTER | 1 | |
| 17 | 6J8-15714-00-00 | .DRUM, SHEAVE | 1 | |
| 18 | 90510-08M04-00 | .SPRING, SPIRAL | 1 | |
| 19 | 677-15717-01-00 | .SHAFT, STARTER | 1 | |
| 20 | 90201-065F3-00 | .WASHER, PLATE | 1 | |
| 21 | 97395-06025-00 | .BOLT | 1 | |
| 22 | 95380-06700-00 | .NUT | 1 | |
| 23 | 676-15741-03-00 | .PAWL, DRIVE | 1 | |
| 24 | 93430-06M02-00 | .CIRCLIP | 1 | |
| 25 | 6J8-15705-00-00 | .SPRING, DRIVE PAWL | 1 | |
| 26 | 97395-06035-00 | BOLT, HEXAGON | 1 | |
| 27 | 92990-06600-00 | WASHER, PLATE | 1 | |
| 28 | 97395-06025-00 | BOLT | 2 | |
| 29 | 92990-06600-00 | WASHER, PLATE | 2 | |
| 30 | 99530-10014-00 | PIN, DOWEL | 1 | |
| 31 | 656-15748-00-00 | PLUNGER, STARTER STOP | 1 | |
| 32 | 90501-10227-00 | SPRING, COMPRESSION | 1 | |
| 33 | 6J8-15770-00-00 | CABLE COMP., STARTER STOP | 1 | |
| 34 | 6J8-15746-01-00 | ARM | 1 | |
| 35 | 90387-06M29-00 | COLLAR | 1 | |
| 36 | 97395-06025-00 | BOLT | 1 | |
| 37 | 92990-06600-00 | WASHER, PLATE | 1 | |
| 38 | 6J8-15747-00-00 | LINK | 1 | |
| 39 | 6J8-15774-00-00 | STAY 4 | 1 | |
| 40 | 6J8-15771-00-94 | STAY 1 | 1 | |
| 41 | 6J8-15772-00-94 | STAY 2 | 1 | |
| 42 | 97313-06020-00 | BOLT, HEXAGON | 3 | |
| 43 | 92990-06600-00 | WASHER, PLATE | 3 | |
| 44 | 97313-06020-00 | BOLT, HEXAGON | 1 | |
| 45 | 97395-06016-00 | BOLT, HEX | 2 | |
| 46 | 92990-06600-00 | WASHER, PLATE | 2 | |
| 47 | 661-41262-02-00 | JOINT, CHOKE LEVER | 2 | |
| 48 | 6J8-15723-00-00 | PULLEY, STARTER | 1 | |
| 49 | 97011-08016-00 | BOLT | 3 | |
| 50 | 92990-08600-00 | ..WASHER, PLATE | 3 | |

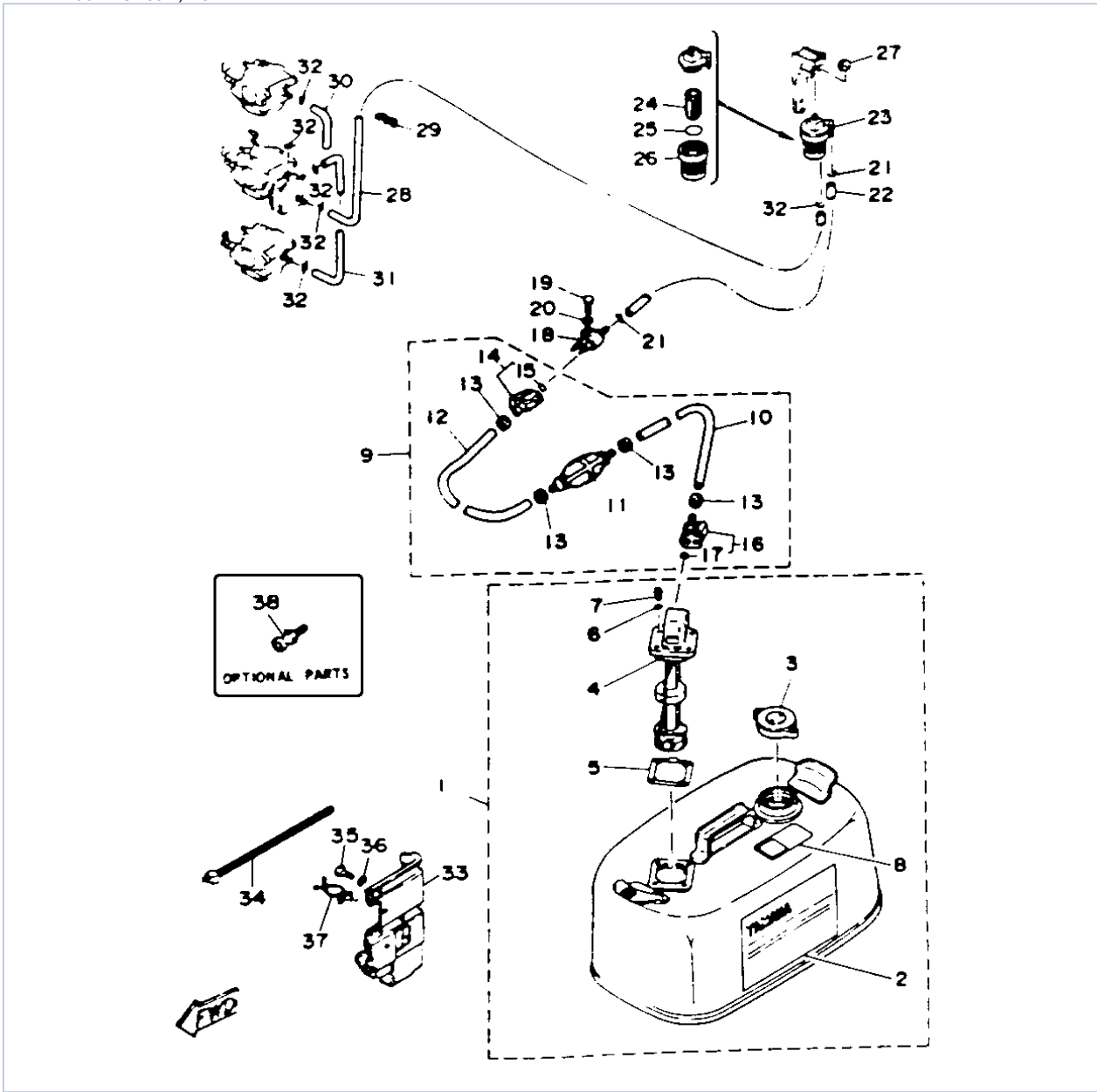
Part Notes

30ELHS 1994 / MANUAL STARTER

| PART NUMBER | | NOTE TEXT |
|----------------|---|--|
| 92990-06600-00 |  | OEM: This part number is among the Top 100 Most Popular Marine Maintenance Parts as of March 2014. |
| 92990-06600-00 |  | OEM: This part number is among the Top 100 Most Popular Marine Maintenance Parts as of March 2014. |
| 92990-06600-00 |  | OEM: This part number is among the Top 100 Most Popular Marine Maintenance Parts as of March 2014. |
| 92990-06600-00 |  | OEM: This part number is among the Top 100 Most Popular Marine Maintenance Parts as of March 2014. |
| 92990-06600-00 |  | OEM: This part number is among the Top 100 Most Popular Marine Maintenance Parts as of March 2014. |
| 92990-06600-00 |  | OEM: This part number is among the Top 100 Most Popular Marine Maintenance Parts as of March 2014. |

©2014 Yamaha Motor Corporation, U.S.A. All rights reserved.

30ELHS 1994 / FUEL TANK



©2014 Yamaha Motor Corporation, U.S.A. All rights reserved.


Part List

30ELHS 1994 / FUEL TANK

| REF - NO | PART NUMBER | PART NAME | QUANTITY | REMARKS |
|----------------|-----------------|-------------------------|----------|---------|
| 1 | 6Y1-W2420-42-24 | FUEL TANK ASSEMBLY | 1 | |
| 2 | 6Y1-24244-20-00 | .GRAPHIC, SIDE | 1 | |
| 3 | 6Y1-24610-00-00 | .CAP ASSEMBLY | 1 | |
| 4 | 6Y1-24260-02-00 | .FUEL METER ASSEMBLY | 1 | |
| 5 | 6Y1-24268-00-00 | .GASKET, FUEL METER | 1 | |
| 6 | 6Y1-24329-00-00 | .SEAL | 4 | |
| 7 | 98586-05016-00 | .SCREW, PAN HEAD | 4 | |
| 8 | 6Y1-24256-50-00 | .GRAPHIC, FUEL TANK | 1 | |
| 9 | 6Y1-24306-51-00 | FUEL PIPE COMP. 1 | 1 | |
| 10 | 90445-11M06-00 | .HOSE (L2050) | 1 | |
| 11 | 6Y1-24360-51-00 | .PRIMER PUMP ASSY | 1 | |
| 12 | 90445-11M05-00 | .HOSE (L850) | 1 | |
| 13 | 650-24351-51-00 | .BAND 1 | 4 | |
| 14 | 6G1-24305-01-00 | .FUEL PIPE JOINT COMP 2 | 1 | |
| 15 | 93210-08287-00 | ..O-RING | 1 | |
| 16 | 6Y1-24305-02-00 | .FUEL PIPE JOINT COMP 2 | 1 | |
| 17 | 93210-08287-00 | ..O-RING | 1 | |
| 18 | 6G1-24304-02-00 | FUEL PIPE JOINT COMP. 1 | 1 | |
| 19 | 97395-06025-00 | BOLT | 1 | |
| 20 | 92990-06600-00 | WASHER, PLATE | 1 | |
| 21 | 90467-08004-00 | CLIP | 2 | |
| 22 | 90445-09M00-00 | HOSE (L180) | 1 | |
| 23 | 655-24560-01-00 | FILTER ASSEMBLY | 1 | |
| 24 | 6F5-24563-00-00 | .ELEMENT, FILTER | 1 | |
| 25 | 93210-37M25-00 | .O-RING | 1 | |
| 26 | 655-24521-01-00 | .CUP, FILTER | 1 | |
| 27 | 90179-08M15-00 | NUT | 1 | |
| 28 | 6E5-24312-00-00 | PIPE 2 | 1 | |
| 29 | 90464-09M21-00 | CLAMP | 1 | |
| 30 | 688-24313-00-00 | PIPE 3 | 1 | |
| 31 | 6J8-24311-00-00 | PIPE, FUEL 1 | 1 | |
| 32 | 90467-08004-00 | CLIP | 6 | |
| 33 | 6J8-28170-00-00 | TOOL, HOLDER | 1 | |
| 34 | 6E1-42694-00-00 | BAND | 1 | |
| 35 | 97395-08016-00 | BOLT | 2 | |
| 36 | 92995-08600-00 | WASHER | 2 | |
| 37 | 90464-12M17-00 | CLAMP | 6 | |
| 38 | ABB-FLUSH-JD-00 | JET DRIVE FLUSH | 1 | AP |

Part Notes

30ELHS 1994 / FUEL TANK

| PART NUMBER | NOTE TEXT |
|--|--|
| 92990-06600-00  | OEM: This part number is among the Top 100 Most Popular Marine Maintenance Parts as of March 2014. |

©2014 Yamaha Motor Corporation, U.S.A. All rights reserved.

30ELHS 1994 / TOP COWLING



©2014 Yamaha Motor Corporation, U.S.A. All rights reserved.

Part List

30ELHS 1994 / TOP COWLING

| REF - NO | PART NUMBER | PART NAME | QUANTITY | REMARKS |
|----------------|-----------------|----------------------|----------|---------|
| 1 | 6J8-42610-W1-EK | TOP COWLING ASSEMBLY | 1 | |
| 2 | 6J8-42615-00-00 | .SEAL | 1 | |
| 3 | 6J8-42651-03-00 | .HOOK | 1 | |
| 4 | 6J8-42652-00-00 | .HOOK | 1 | |
| 5 | 90266-04M00-00 | .RIVET | 4 | |
| 6 | 6J8-42613-00-EK | .MOLDING, AIR DUCT | 1 | |
| 7 | 90179-06M24-00 | .NUT | 4 | |
| 8 | 6J8-42677-01-00 | .GRAPHIC, FRONT | 1 | |
| 9 | 6J8-42678-01-00 | .GRAPHIC, REAR | 1 | |
| 10 | 6J8-W0070-41-00 | .GRAPHIC SET | 1 | |
| 11 | 6J8-42682-40-00 | .MARK, COWLING 2 | 1 | |

30ELHS 1994 / TOP COWLING (ER)



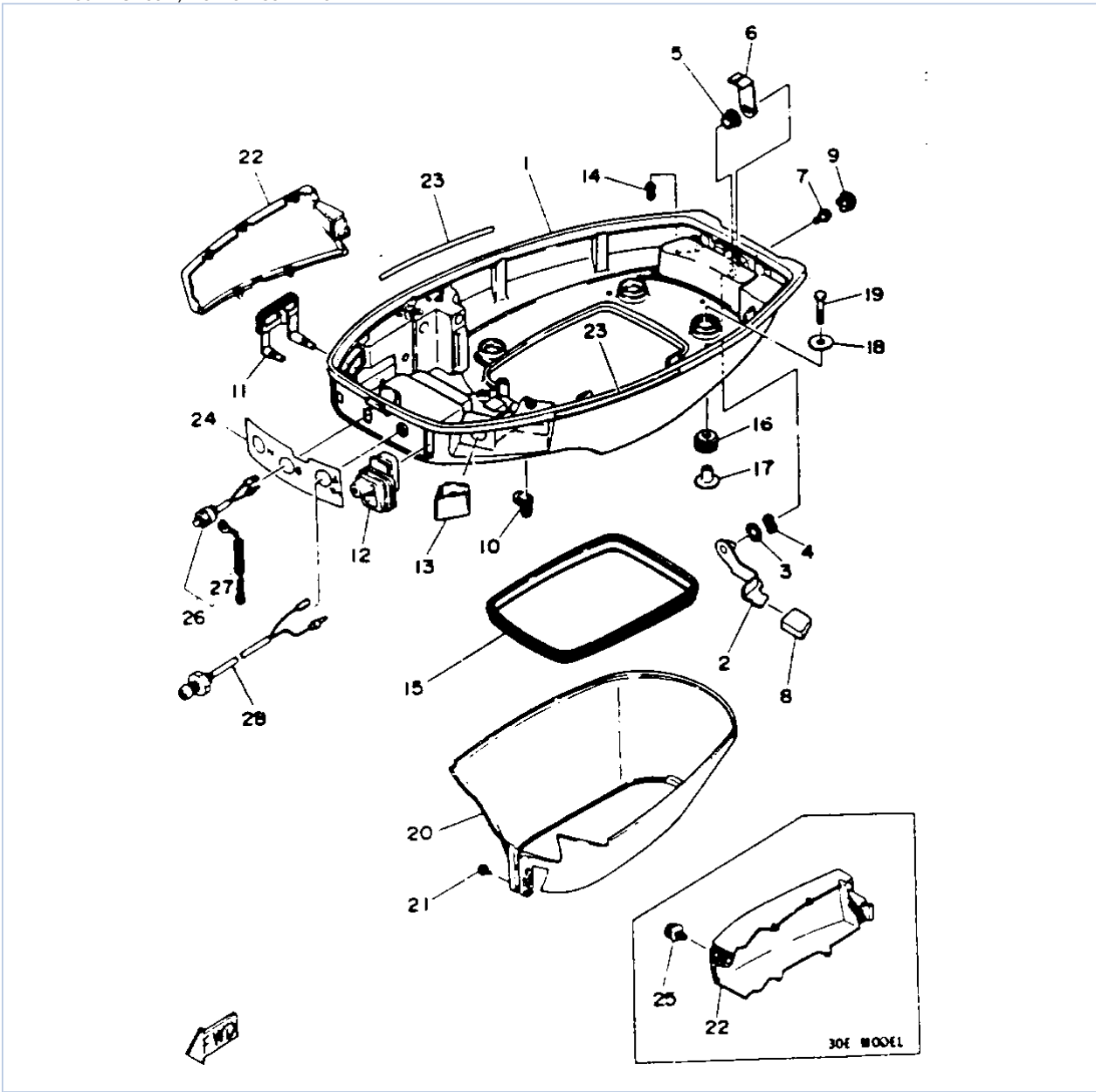
©2014 Yamaha Motor Corporation, U.S.A. All rights reserved.

Part List

30ELHS 1994 / TOP COWLING (ER)

| REF - NO | PART NUMBER | PART NAME | QUANTITY | REMARKS |
|----------------|-----------------|----------------------|----------|---------|
| 1 | 6J8-42610-41-EK | TOP COWLING ASSEMBLY | 1 | |
| 2 | 6J8-42615-00-00 | .SEAL | 1 | |
| 3 | 6J8-42651-03-00 | .HOOK | 1 | |
| 4 | 6J8-42652-00-00 | .HOOK | 1 | |
| 5 | 90266-04M00-00 | .RIVET | 4 | |
| 6 | 6J8-42613-10-EK | .MOLDING, AIR DUCT | 1 | |
| 7 | 90179-06M24-00 | .NUT | 4 | |
| 8 | 6J8-42677-01-00 | .GRAPHIC, FRONT | 1 | |
| 9 | 6J8-42678-01-00 | .GRAPHIC, REAR | 1 | |
| 10 | 6J8-W0070-41-00 | .GRAPHIC SET | 1 | |
| 11 | 6J8-42682-40-00 | .MARK, COWLING 2 | 1 | |
| 12 | 6J8-13436-00-00 | .MARK | 1 | |
| 13 | 6J8-2177H-00-00 | .DISK CAP 2 | 1 | |
| 14 | 6J8-21732-00-00 | .SEAL 1 | 1 | |
| 15 | 6J8-21735-00-00 | .SEAL 2 | 1 | |

30ELHS 1994 / BOTTOM COWLING



©2014 Yamaha Motor Corporation, U.S.A. All rights reserved.


Part List

30ELHS 1994 / BOTTOM COWLING

| REF - NO | PART NUMBER | PART NAME | QUANTITY | REMARKS |
|----------------|-----------------|--|----------|---------------|
| 1 | 6J8-42711-01-EK | BOTTOM COWLING | 1 | |
| 2 | 6J8-42815-00-EK | LEVER, CLAMP 1 | 1 | |
| 3 | 90202-12M25-00 | WASHER, PLATE | 1 | |
| 4 | 90206-12052-00 | WASHER, WAVE | 1 | |
| 5 | 90386-12M61-00 | BUSH | 1 | |
| 6 | 6J8-42816-00-00 | LEVER, CLAMP | 1 | |
| 7 | 95895-06012-00 | BOLT, FLANGE | 1 | |
| 8 | 6J8-42831-00-00 | BUSHING | 1 | |
| 9 | 6J8-42728-00-00 | CAP | 1 | |
| 10 | 6G1-42727-00-00 | GROMMET | 1 | |
| 11 | 6J8-42724-00-00 | GROMMET | 1 | |
| 12 | 6J8-42726-00-00 | GROMMET | 1 | |
| 13 | 6J8-42725-00-00 | GROMMET 2 | 1 | |
| 14 | 6H3-44391-01-00 | NIPPLE, HOSE | 1 | |
| 15 | 6J8-42716-00-00 | RUBBER, SEAL 1 | 1 | |
| 16 | 90480-09M21-00 | GROMMET | 4 | |
| 17 | 90387-06M41-00 | COLLAR | 4 | |
| 18 | 90201-06416-00 | WASHER, PLATE | 4 | |
| 19 | 97313-06030-00 | BOLT | 4 | |
| 20 | 6J8-42741-00-00 | APRON 1 | 1 | |
| 21 | 90164-06M01-00 | SCREW, TAPPING | 2 | |
| 22 | 6J8-42723-50-00 | COVER, BOTTOM | 1 | UR 30ER MODEL |
| 22 | 6J8-42723-00-00 | COVER, BOTTOM | 1 | UR 30MH MODEL |
| 23 | 6J8-42735-00-00 | PROTECTOR | 2 | |
| 24 | 6J8-42719-20-00 | PANEL, FRONT LOWER | 1 | |
| 25 | 6J8-42846-00-00 | .SCREW | 1 | 30ER MODEL |
| 26 | 689-82575-03-00 | ENGINE STOP SWITCH ASSEMBLY (689-82575-02- 00) | 1 | |
| 27 | 682-82556-00-00 | .LANYARD, STOP SWITCH | 1 | |
| 28 | 6J8-85410-00-00 | EMERGENCY SIGNAL LIGHT ASSY | 1 | |

Part Notes

30ELHS 1994 / BOTTOM COWLING

| PART NUMBER | NOTE TEXT |
|---|--|
| 682-82556-00-00  | OEM: This part number is among the Top 100 Most Popular Marine Maintenance Parts as of March 2014. |

©2014 Yamaha Motor Corporation, U.S.A. All rights reserved.

30ELHS 1994 / BRACKET 1



©2014 Yamaha Motor Corporation, U.S.A. All rights reserved.

Part List


30ELHS 1994 / BRACKET 1

| REF - NO | PART NUMBER | PART NAME | QUANTITY | REMARKS |
|----------------|-----------------|-------------------------------------|----------|----------|
| 1 | 6H4-43111-04-EK | BRACKET, CLAMP | 1 | |
| 2 | 6H4-43112-04-EK | BRACKET, CLAMP | 1 | |
| 3 | 6E5-82148-00-00 | WIRE, LEAD 4 | 1 | |
| 4 | 98580-06008-00 | SCREW, PAN HEAD | 1 | |
| 5 | 616-43118-00-EJ | HANDLE, TRANSOM CLPTRANSOM CLAMP | 2 | |
| 6 | 90243-04M00-00 | PIN | 2 | |
| 7 | 90149-14M12-00 | SCREW | 2 | |
| 8 | 648-43114-01-00 | PAD, TRANSOM CLAMP | 2 | |
| 9 | 6J8-43131-01-00 | BOLT, CLAMP BRACKET | 1 | |
| 10 | 90386-22M69-00 | BUSH | 2 | |
| 11 | 90201-22428-00 | WASHER, PLATE | 2 | |
| 12 | 6J8-43113-01-00 | PLATE, CLAMP BRACKET | 1 | |
| 13 | 90185-22043-00 | NUT, SELF-LOCKING | 2 | |
| 14 | 6G5-43145-00-00 | CAP, CLAMP BRACKET | 2 | |
| 15 | 90101-08339-00 | BOLT | 1 | |
| 16 | 90387-08M03-00 | COLLAR | 1 | |
| 17 | 92990-08600-00 | ..WASHER, PLATE | 1 | |
| 18 | 95380-08600-00 | NUT | 1 | |
| 19 | 6J8-43311-04-EK | BRACKET, SWIVEL 1 | 1 | |
| 20 | 93700-06M03-00 | NIPPLE, GREASE | 3 | |
| 21 | 663-45119-00-00 | CAP, GREASE NIPPLE | 3 | |
| 22 | 6J8-42528-00-00 | PLATE, FRICTION | 1 | |
| 23 | 689-43373-01-00 | SEAL, DAMPER | 1 | |
| 24 | 90105-06M18-00 | BOLT, FLANGE | 1 | |
| 25 | 6J8-42510-02-EK | STEERING BRACKETASSEMBLY | 1 | |
| 26 | 90386-30M77-00 | BUSH | 2 | |
| 27 | 90386-30M78-00 | BUSH | 1 | |
| 28 | 90201-30M00-00 | WASHER, PLATE | 1 | |
| 29 | 93210-29M94-00 | O-RING | 2 | |
| 30 | 90386-30M60-00 | BUSH | 1 | |
| 31 | 6H4-44551-01-EK | HOUSING, LOWER MOUNT | 1 | |
| 32 | 93410-28M06-00 | CIRCLIP | 1 | |
| 33 | 6J8-42121-00-EK | BRACKET | 1 | |
| 34 | 90116-10M28-00 | BOLT, STUD | 2 | |
| 35 | 92990-10600-00 | WASHER, PLATE | 2 | |
| 36 | 90185-10051-00 | NUT, SELF-LOCKING | 2 | |
| 37 | 6H4-44557-00-00 | MOUNT DAMPER, LOWER FRONT | 1 | UR SHORT |
| 37 | 6H4-44557-10-00 | MOUNT DAMPER, LOWER FRONT | 1 | UR LONG |
| 38 | 6H4-44553-01-00 | COVER, LOWER MOUNT | 1 | |
| 39 | 97395-08025-00 | BOLT | 4 | |
| 40 | 92990-08600-00 | ..WASHER, PLATE | 4 | |
| 41 | 97395-10060-00 | BOLT | 2 | |
| 42 | 92990-10600-00 | WASHER, PLATE | 2 | |
| 43 | 6H4-82127-00-00 | WIRE, LEAD 2 | 1 | |
| 44 | 6H4-44514-00-00 | MOUNT DAMPER, UPPER SIDE | 2 | |
| 45 | 90109-08M26-00 | BOLT | 2 | |
| 46 | 90201-09425-00 | WASHER, PLATE | 2 | |
| 47 | 90185-08045-00 | NUT, SELF-LOCKING | 2 | |
| 48 | 6J8-44511-00-EK | COVER, UPPER MT. | 1 | |
| 49 | 97090-08035-00 | BOLT | 3 | |

| | | | | |
|----|----------------|----------------|---|--|
| 50 | 92990-08100-00 | WASHER, SPRING | 3 | |
| 51 | 90101-10M58-00 | BOLT | 4 | |
| 52 | 92990-10600-00 | WASHER, PLATE | 8 | |
| 53 | 90201-12426-00 | WASHER, PLATE | 4 | |
| 54 | 95380-10600-00 | NUT | 8 | |

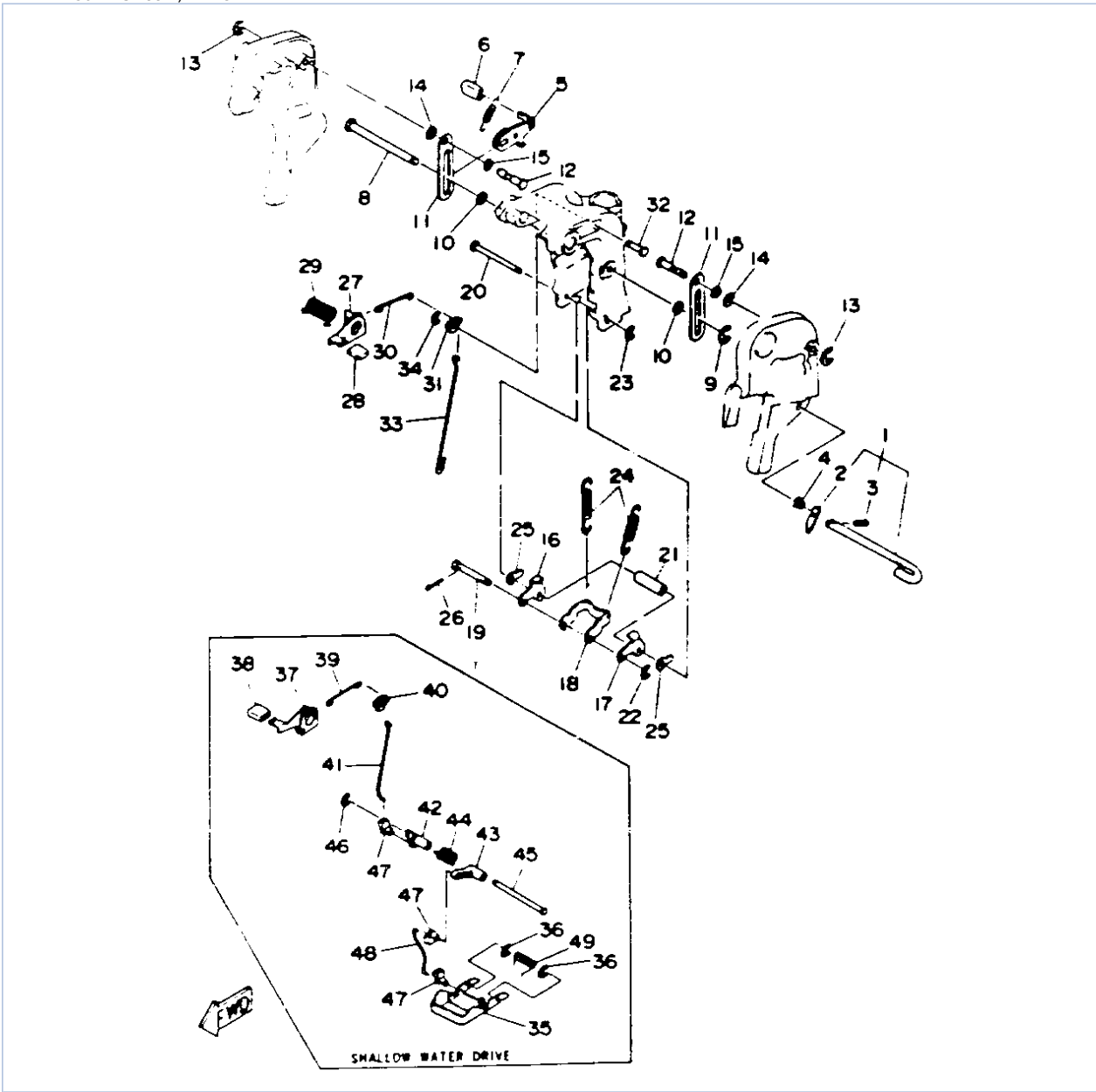
Part Notes

30ELHS 1994 / BRACKET 1

| PART NUMBER | | NOTE TEXT |
|----------------|---|--|
| 92990-10600-00 |  | OEM: This part number is among the Top 100 Most Popular Marine Maintenance Parts as of March 2014. |
| 92990-10600-00 |  | OEM: This part number is among the Top 100 Most Popular Marine Maintenance Parts as of March 2014. |
| 92990-10600-00 |  | OEM: This part number is among the Top 100 Most Popular Marine Maintenance Parts as of March 2014. |

©2014 Yamaha Motor Corporation, U.S.A. All rights reserved.

30ELHS 1994 / BRACKET 2



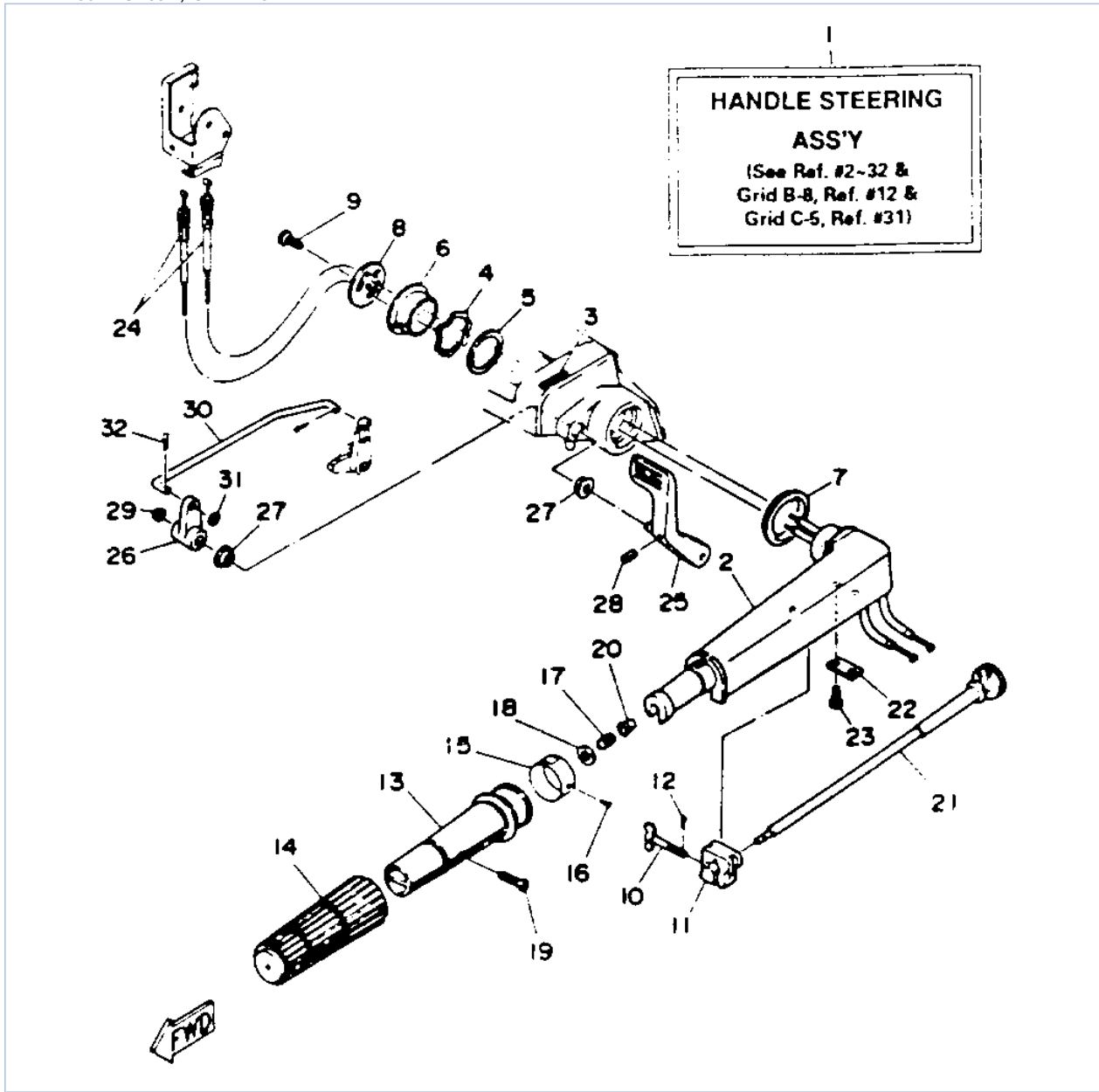
©2014 Yamaha Motor Corporation, U.S.A. All rights reserved.

Part List

30ELHS 1994 / BRACKET 2

| REF - NO | PART NUMBER | PART NAME | QUANTITY | REMARKS |
|----------------|-----------------|---------------------------------|----------|-----------------|
| 1 | 6H4-43160-01-00 | TILT ROD ASSY | 1 | |
| 2 | 676-43165-00-00 | .PLATE, TILT LOCK | 1 | |
| 3 | 91690-30010-00 | .PIN, SPRING | 1 | |
| 4 | 90502-10M04-00 | SPRING, CONICAL | 1 | |
| 5 | 6J8-43181-01-00 | LEVER, TILT STOP | 1 | |
| 6 | 682-43318-01-00 | COVER | 1 | |
| 7 | 90506-12M25-00 | SPRING, TENSION | 1 | |
| 8 | 90249-12M28-00 | PIN | 1 | |
| 9 | 93430-10M00-00 | CIRCLIP | 1 | |
| 10 | 90202-12031-00 | WASHER, PLATE | 2 | |
| 11 | 6J8-43627-00-00 | STOPPER | 2 | |
| 12 | 90249-12M27-00 | PIN | 2 | |
| 13 | 93430-10M00-00 | CIRCLIP | 2 | |
| 14 | 90202-12031-00 | WASHER, PLATE | 2 | |
| 15 | 90206-12M16-00 | WASHER, WAVE | 2 | |
| 16 | 6J8-43614-00-00 | PLATE, TILT LOCK | 1 | |
| 17 | 6J8-43615-00-00 | PLATE, TILT LOCK | 1 | |
| 18 | 6J8-43613-01-00 | ARM, TILT LOCK | 1 | |
| 19 | 6H4-43659-00-00 | SHAFT, REVERSE LOCK | 1 | |
| 20 | 6J8-43611-01-00 | SHAFT, TILT LOCK | 1 | |
| 21 | 90387-07M64-00 | COLLAR | 1 | WITHOUT SHALLOW |
| 22 | 93430-06M02-00 | .CIRCLIP | 1 | |
| 23 | 99080-05600-00 | CIRCLIP | 1 | |
| 24 | 90506-32M22-00 | SPRING, TENSION | 2 | |
| 25 | 6H4-43674-00-00 | WASHER | 2 | WITHOUT SHALLOW |
| 26 | 91490-20015-00 | PIN. COTTER | 2 | |
| 27 | 6J8-43631-00-00 | LEVER, TILT | 1 | |
| 28 | 6J8-43633-00-00 | COVER, TILT LEVER | 1 | |
| 29 | 90508-18M24-00 | SPRING, TORSION | 1 | UR |
| 29 | 90508-18M23-00 | SPRING, TORSION | 1 | UR FOR SHALLOW |
| 30 | 6H4-43616-00-00 | ROD, TILT LOCK | 1 | |
| 31 | 6J8-43641-00-00 | LEVER, TILT | 1 | |
| 32 | 90249-06M23-00 | PIN | 1 | UR |
| 32 | 90249-06M24-00 | PIN | 1 | UR FOR SHALLOW |
| 33 | 6J8-43617-00-00 | ROD, TILT LOCK | 1 | |
| 34 | 99080-05600-00 | CIRCLIP | 1 | |
| 35 | 6J8-43681-01-00 | LEVER, SHALLOW WATER DRIVE 1 | 1 | |
| 36 | 6J8-43673-00-00 | WASHER 1 | 2 | |
| 37 | 6J8-43631-10-00 | LEVER, TILT | 1 | |
| 38 | 6J8-43633-00-00 | COVER, TILT LEVER | 1 | |
| 39 | 6H4-43616-00-00 | ROD, TILT LOCK | 1 | |
| 40 | 6J8-43641-00-00 | LEVER, TILT | 1 | |
| 41 | 6J8-43617-10-00 | ROD, TILT LOCK | 1 | |
| 42 | 6J8-43186-00-00 | LEVER | 1 | |
| 43 | 6J8-43187-00-00 | LEVER 2 | 1 | |
| 44 | 90508-25M21-00 | SPRING, TORSION | 1 | |
| 45 | 90249-07M25-00 | PIN | 1 | |
| 46 | 99080-05600-00 | CIRCLIP | 1 | |
| 47 | 6J8-41262-00-00 | JOINT, CHOKE LEVER | 3 | |
| 48 | 6J8-43616-10-00 | ROD, TILT LOCK | 1 | |
| 49 | 90508-20M22-00 | SPRING, TORSION | 1 | |

30ELHS 1994 / STEERING



©2014 Yamaha Motor Corporation, U.S.A. All rights reserved.


Part List

30ELHS 1994 / STEERING

| REF - NO | PART NUMBER | PART NAME | QUANTITY | REMARKS |
|----------|-----------------|--------------------------------|----------|---------|
| 1 | 6J8-W0084-00-EK | TILLER HANDLE ASSEMBLY | 1 | |
| 2 | 6G1-42111-03-EK | HANDLE, STEERING | 1 | |
| 3 | 6E0-44191-11-00 | INDICATOR, SHIFT | 1 | |
| 4 | 90206-35M20-00 | WASHER, WAVE | 1 | |
| 5 | 90202-35M24-00 | WASHER, PLATE | 1 | |
| 6 | 90386-34M40-00 | BUSH | 1 | |
| 7 | 90386-43M62-00 | BUSH | 1 | |
| 8 | 6G1-42131-01-00 | COVER, HANDLE STEERING | 1 | |
| 9 | 97395-06016-00 | BOLT, HEX | 1 | |
| 10 | 6G1-42125-01-00 | BOLT, FRICTION ADJUSTING | 1 | |
| 11 | 6G1-42126-00-00 | FRICTION, STEERING HANDLE GRIP | 1 | |
| 12 | 91490-16010-00 | PIN. COTTER | 1 | |
| 13 | 664-42119-00-00 | GRIP, STEERING HANDLE | 1 | |
| 14 | 6G1-42177-00-00 | RUBBER, HANDLE | 1 | |
| 15 | 6J8-42137-00-00 | INDICATOR, THROTTLE | 1 | |
| 16 | 90269-02M09-00 | RIVET | 1 | |
| 17 | 90501-23215-00 | SPRING, COMPRESSION | 1 | |
| 18 | 92990-10600-00 | WASHER, PLATE | 1 | |
| 19 | 90149-05M13-00 | SCREW | 1 | |
| 20 | 90386-08032-00 | BUSH | 1 | |
| 21 | 6G1-42138-01-00 | LEVER, THROTTLE | 1 | |
| 22 | 6E0-42159-02-00 | STAY | 1 | |
| 23 | 97895-05012-00 | SCREW, PAN HEAD | 2 | |
| 24 | 6J8-26301-00-00 | THROTTLE CABLE ASSY | 2 | |
| 25 | 6J8-44111-00-EK | HANDLE, GEAR SHIFT | 1 | |
| 26 | 6J8-44125-00-00 | LEVER, SHIFT ROD | 1 | |
| 27 | 682-44132-00-00 | BUSHING | 2 | |
| 28 | 91690-30318-00 | PIN, SPRING | 1 | |
| 29 | 90386-06M12-00 | BUSH | 1 | |
| 30 | 6J8-44124-00-00 | LINK, SHIFT ROD | 1 | |
| 31 | 92990-06200-00 | WASHER, PLAIN | 1 | |
| 32 | 91490-20015-00 | PIN. COTTER | 1 | |

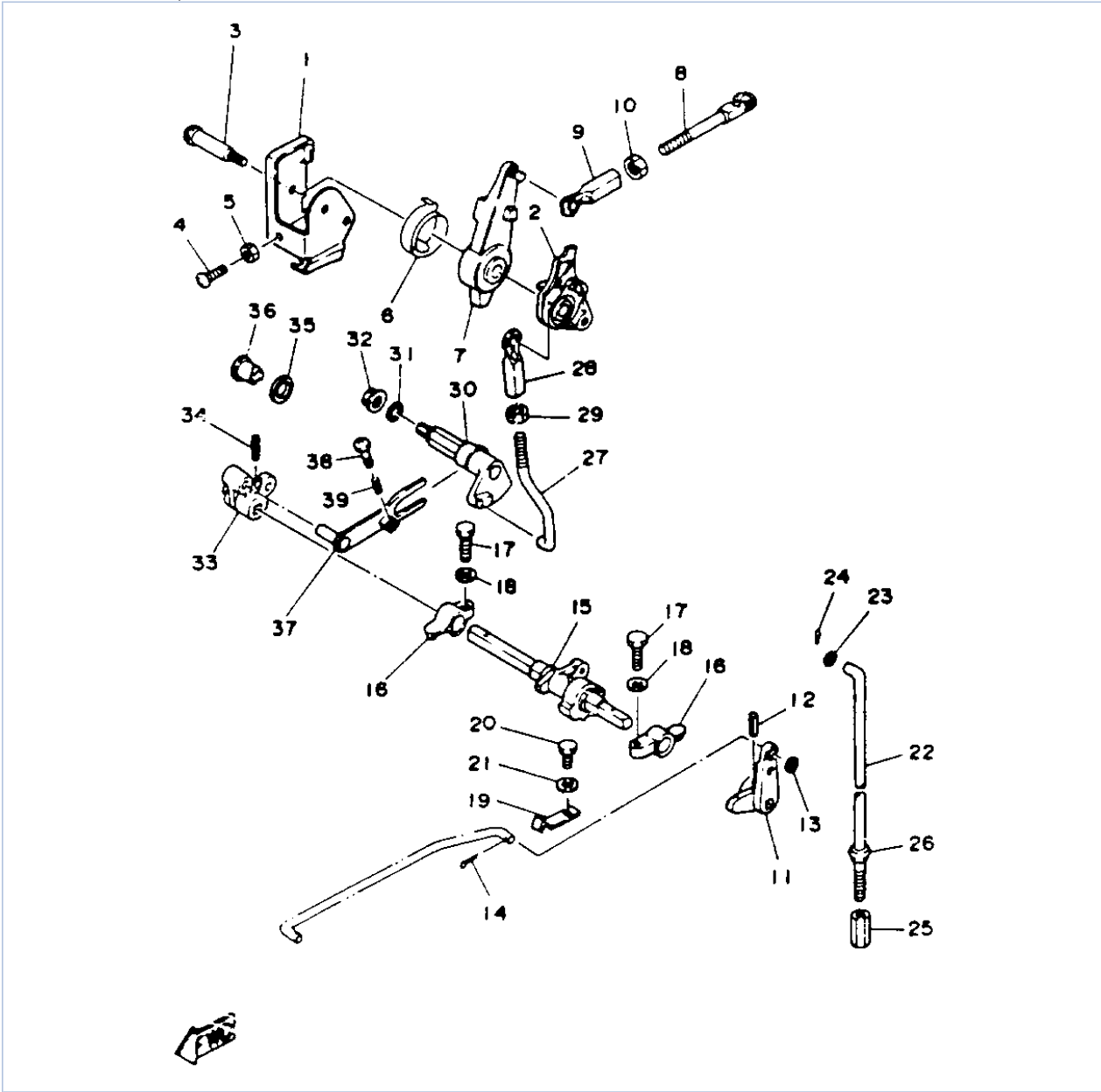
Part Notes

30ELHS 1994 / STEERING

| PART NUMBER | NOTE TEXT |
|--|--|
| 92990-10600-00  | OEM: This part number is among the Top 100 Most Popular Marine Maintenance Parts as of March 2014. |

©2014 Yamaha Motor Corporation, U.S.A. All rights reserved.

30ELHS 1994 / CONTROL ENGINE



©2014 Yamaha Motor Corporation, U.S.A. All rights reserved.



Part List

30ELHS 1994 / CONTROL ENGINE

| REF - NO | PART NUMBER | PART NAME | QUANTITY | REMARKS |
|----------------|-----------------|-------------------------|----------|---------|
| 1 | 6J8-14497-00-00 | STAY, THROTTLE WIRE | 1 | |
| 2 | 6J8-41213-00-00 | CAM, ACCEL. | 1 | |
| 3 | 90109-06M28-00 | BOLT | 1 | |
| 4 | 98580-06025-00 | SCREW, PAN HEAD | 1 | |
| 5 | 95380-06600-00 | NUT, HEXAGON | 1 | |
| 6 | 6J8-42167-00-00 | SPRING 1 | 1 | |
| 7 | 6J8-41631-02-00 | LEVER, MAGNETO CONTROL | 1 | |
| 8 | 689-42169-01-00 | JOINT | 1 | |
| 9 | 682-41237-00-00 | JOINT, LINK | 1 | |
| 10 | 95380-05600-00 | NUT | 1 | |
| 11 | 6J8-44123-00-00 | ARM, SHIFT ROD | 1 | |
| 12 | 91690-30318-00 | PIN, SPRING | 1 | |
| 13 | 92990-06200-00 | WASHER, PLAIN | 1 | |
| 14 | 91490-20015-00 | PIN. COTTER | 1 | |
| 15 | 6J8-44121-00-00 | LEVER, SHIFT ROD | 1 | |
| 16 | 6G1-41662-01-94 | BRACKET 2 | 2 | |
| 17 | 97313-06020-00 | BOLT, HEXAGON | 2 | |
| 18 | 92990-06600-00 | WASHER, PLATE | 2 | |
| 19 | 6J8-44116-00-00 | SPRING | 1 | |
| 20 | 97395-06012-00 | BOLT | 1 | |
| 21 | 92990-06600-00 | WASHER, PLATE | 1 | |
| 22 | 6J8-44143-00-00 | ROD, SHIFT | 1 | |
| 23 | 92990-05600-00 | WASHER, PLATE | 1 | |
| 24 | 91490-16010-00 | PIN. COTTER | 1 | |
| 25 | 90170-06015-00 | NUT | 1 | |
| 26 | 689-43373-01-00 | SEAL, DAMPER | 1 | |
| 27 | 6J8-42192-00-00 | ROD 2 | 1 | |
| 28 | 682-41237-00-00 | JOINT, LINK | 1 | |
| 29 | 95380-05600-00 | NUT | 1 | |
| 30 | 6J8-42154-01-00 | LEVER, THROTTLE CONTROL | 1 | |
| 31 | 90202-10024-00 | WASHER, PLATE | 1 | |
| 32 | 95780-08300-00 | ..NUT, FLANGE | 1 | |
| 33 | 6J8-44142-00-00 | JOINT | 1 | |
| 34 | 91690-30318-00 | PIN, SPRING | 1 | |
| 35 | 682-42726-00-00 | GROMMET | 1 | |
| 36 | 90202-12M17-00 | WASHER, PLATE | 1 | |
| 37 | 6J8-41211-00-00 | LINK, ACCEL. | 1 | |
| 38 | 98580-04020-00 | SCREW, PAN HEAD | 1 | |
| 39 | 90501-08M66-00 | SPRING, COMPRESSION | 1 | |

Part Notes

30ELHS 1994 / CONTROL ENGINE

| PART NUMBER | | NOTE TEXT |
|----------------|---|--|
| 92990-06600-00 |  | OEM: This part number is among the Top 100 Most Popular Marine Maintenance Parts as of March 2014. |
| 92990-06600-00 |  | OEM: This part number is among the Top 100 Most Popular Marine Maintenance Parts as of March 2014. |

©2014 Yamaha Motor Corporation, U.S.A. All rights reserved.

30ELHS 1994 / UPPER CASING



©2014 Yamaha Motor Corporation, U.S.A. All rights reserved.

Part List

30ELHS 1994 / UPPER CASING

| REF - NO | PART NUMBER | PART NAME | QUANTITY | REMARKS |
|----------------|-----------------|-----------------------|----------|----------|
| 1 | 6J8-45111-00-EK | CASING, UPPER | 1 | UR SHORT |
| 1 | 6J8-45111-10-EK | CASING, UPPER | 1 | UR LONG |
| 2 | 93606-12019-00 | .PIN, DOWEL | 2 | |
| 3 | 90119-08M31-00 | BOLT, WITH WASHER | 6 | |
| 4 | 6J8-41137-00-94 | GUIDE, EXHAUST | 1 | |
| 5 | 6J8-45114-A1-00 | .GASKET, UPPER CASING | 1 | |
| 6 | 6J8-41131-00-5B | MANIFOLD, EXT. 1 | 1 | |
| 7 | 6J8-14737-00-00 | DAMPER, MUFFLER | 6 | |
| 8 | 90338-07M00-00 | PLUG | 1 | |
| 9 | 93606-12019-00 | .PIN, DOWEL | 2 | |
| 10 | 97395-08050-00 | BOLT | 3 | |
| 11 | 92990-08600-00 | ..WASHER, PLATE | 3 | |
| 12 | 97395-08030-00 | BOLT | 2 | |
| 13 | 92990-08600-00 | ..WASHER, PLATE | 2 | |

30ELHS 1994 / LOWER DRIVE 1



©2014 Yamaha Motor Corporation, U.S.A. All rights reserved.

Part List



30ELHS 1994 / LOWER DRIVE 1

| REF - NO | PART NUMBER | PART NAME | QUANTITY | REMARKS |
|----------------|-----------------|-----------------------|----------|----------|
| 1 | 6J8-45300-14-EK | LOWER UNIT ASSEMBLY | 1 | UR LONG |
| 1 | 6J8-45300-04-EK | LOWER UNIT ASSEMBLY | 1 | UR SHORT |
| 2 | 6J8-45301-01-EK | LOWER CASING | 1 | |
| 3 | 93315-220V7-00 | BEARING | 1 | |
| 4 | 6J8-45536-00-00 | SLEEVE, DRIVE SHAFT | 1 | |
| 5 | 663-45587-01-12 | SHIM (T:0.12MM) | 1 | UR |
| 5 | 663-45587-01-10 | SHIM (T:0.10MM) | 1 | UR |
| 5 | 663-45587-01-15 | SHIM (T:0.15MM) | 1 | UR |
| 5 | 663-45587-01-50 | SHIM (T:0.50MM) | 1 | UR |
| 5 | 663-45587-01-40 | SHIM (T:0.40MM) | 1 | UR |
| 5 | 663-45587-01-30 | SHIM (T:0.30MM) | 1 | UR |
| 5 | 663-45587-01-18 | SHIM (T:0.18MM) | 1 | UR |
| 6 | 93332-00001-00 | BEARING | 1 | |
| 7 | 6E5-45378-00-00 | NIPPLE, HOSE | 1 | |
| 8 | 90445-07ME9-00 | HOSE (L120) | 1 | UR SHORT |
| 8 | 90445-07M31-00 | HOSE (L200) | 1 | UR LONG |
| 9 | 6E5-83558-00-00 | END, NIPPLE | 1 | |
| 10 | 90465-11M10-00 | CLAMP | 2 | |
| 11 | 90340-08M04-00 | PLUG, STRAIGHT SCREW | 3 | |
| 12 | 90430-08020-00 | .GASKET | 3 | |
| 13 | 682-44176-00-00 | BRACKET | 1 | |
| 14 | 97780-50110-00 | SCREW, PAN HEAD | 1 | |
| 15 | 6J8-44150-00-00 | SHIFT CAM ASSY | 1 | UR SHORT |
| 15 | 6J8-44150-10-00 | SHIFT CAM ASSY | 1 | UR LONG |
| 16 | 682-44147-00-00 | .BOOT, SHIFT ROD | 1 | |
| 17 | 95380-06700-00 | NUT | 1 | |
| 18 | 6J8-44311-00-00 | HOUSING, WATER PUMP | 1 | |
| 19 | 663-44322-00-00 | .INSERT, CARTRIDGE | 1 | |
| 20 | 6H4-44352-02-00 | .IMPELLER | 1 | |
| 21 | 663-44315-A0-00 | GASKET, WATER PUMP | 1 | |
| 22 | 663-44366-00-00 | .DAMPER, WATER SEAL 2 | 1 | |
| 23 | 90280-03024-00 | .KEY, WOODRUFF | 1 | |
| 24 | 663-44341-00-94 | HOUSING, WATER PUMP | 1 | |
| 25 | 93101-23070-00 | .OIL SEAL | 2 | |
| 26 | 93210-41042-00 | O-RING | 1 | |
| 27 | 663-44316-A0-00 | GASKET, WATER PUMP | 1 | |
| 28 | 663-44323-00-00 | OUTER PLATE, CARTIDGE | 1 | |
| 29 | 663-44324-A0-00 | GASKET, CARTRIDGE | 1 | |
| 30 | 93604-08062-00 | PIN, DOWEL | 2 | |
| 31 | 97395-08050-00 | BOLT | 2 | |
| 32 | 97395-08040-00 | BOLT | 2 | |
| 33 | 90209-08M02-00 | WASHER | 4 | |
| 34 | 6J8-45501-00-00 | DRIVE SHAFT COMP. | 1 | UR SHORT |
| 34 | 6J8-45501-10-00 | DRIVE SHAFT COMP. | 1 | UR LONG |
| 35 | 6J8-45551-00-00 | PINION | 1 | |
| 36 | 90179-10M14-00 | NUT | 1 | |
| 37 | 6J8-45560-00-00 | GEAR | 1 | |
| 38 | 93332-000V6-00 | BEARING | 1 | |
| 39 | 6J8-45567-01-10 | SHIM (T:0.10MM) | 1 | UR |
| 39 | 6J8-45567-01-12 | SHIM (T:0.12MM) | 1 | UR |
| 39 | 6J8-45567-01-15 | SHIM (T:0.15MM) | 1 | UR |
| 39 | 6J8-45567-01-18 | SHIM (T:0.18MM) | 1 | UR |
| 39 | 6J8-45567-01-30 | SHIM (T:0.30MM) | 1 | UR |

| | | | | |
|----|-----------------|---------------------|---|----|
| 39 | 6J8-45567-01-40 | SHIM (T:0.40MM) | 1 | UR |
| 39 | 6J8-45567-01-50 | SHIM (T:0.50MM) | 1 | UR |
| 40 | 6J8-45611-00-00 | SHAFT, PROPELLER | 1 | |
| 41 | 90501-10065-00 | SPRING, COMPRESSION | 1 | |
| 42 | 6J8-45631-00-00 | CLUTCH, DOG | 1 | |
| 43 | 90250-05010-00 | PIN, STRAIGHT | 1 | |
| 44 | 648-45633-00-00 | RING, CROSS PIN | 1 | |
| 45 | 6J8-45635-00-00 | PLUNGER, SHIFT | 1 | |
| 46 | 90201-20417-00 | WASHER, PLATE | 1 | |
| 47 | 6J8-45571-00-00 | GEAR | 1 | |
| 48 | 689-45331-01-94 | HOUSING, BEARING | 1 | |
| 49 | 93306-00612-00 | BEARING | 1 | |
| 50 | 664-45577-01-12 | SHIM (T:0.12MM) | 1 | UR |
| 50 | 664-45577-01-40 | SHIM (T:0.40MM) | 1 | UR |
| 50 | 664-45577-01-18 | SHIM (T:0.18MM) | 1 | UR |
| 50 | 664-45577-01-15 | SHIM (T:0.15MM) | 1 | UR |
| 50 | 664-45577-01-10 | SHIM (T:0.10MM) | 1 | UR |
| 50 | 664-45577-01-50 | SHIM (T:0.50MM) | 1 | UR |
| 50 | 664-45577-01-30 | SHIM (T:0.30MM) | 1 | UR |
| 51 | 664-45576-00-00 | WASHER, THRUST | 1 | |
| 52 | 93210-60MA3-00 | .O-RING | 1 | |
| 53 | 93315-22004-00 | BEARING | 1 | |
| 54 | 93101-20M07-00 | .OIL SEAL | 2 | |
| 55 | 90214-45M02-00 | WASHER, CLAW | 1 | |
| 56 | 664-45384-00-00 | NUT | 1 | |
| 57 | 90282-04010-00 | KEY, STRAIGHT | 1 | |

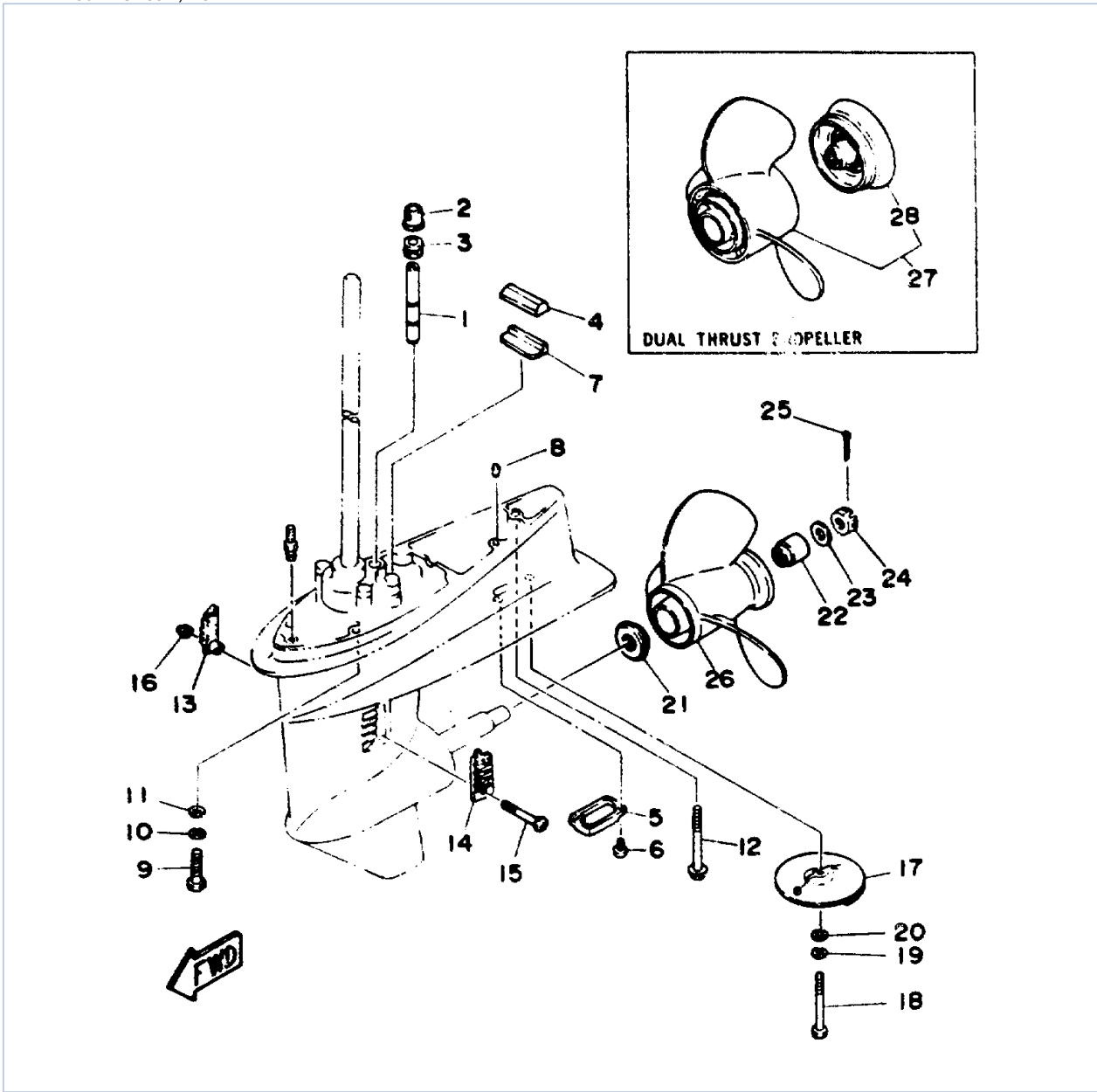
Part Notes

30ELHS 1994 / LOWER DRIVE 1

| PART NUMBER | | NOTE TEXT |
|-----------------|---|--|
| 90430-08020-00 |  | OEM: This part number is among the Top 100 Most Popular Marine Maintenance Parts as of March 2014. |
| 6H4-44352-02-00 |  | OEM: This part number is among the Top 100 Most Popular Marine Maintenance Parts as of March 2014. |

©2014 Yamaha Motor Corporation, U.S.A. All rights reserved.

30ELHS 1994 / LOWER DRIVE 2



©2014 Yamaha Motor Corporation, U.S.A. All rights reserved.


Part List

30ELHS 1994 / LOWER DRIVE 2

| REF - NO | PART NUMBER | PART NAME | QUANTITY | REMARKS |
|----------|-----------------|--------------------------------|----------|-----------------|
| 1 | 6J8-44361-00-00 | TUBE, WATER | 1 | UR SHORT |
| 1 | 6J8-44361-10-00 | TUBE, WATER | 1 | UR LONG |
| 2 | 6J8-44366-00-00 | DAMPER, WATER SEAL | 1 | |
| 3 | 663-44367-00-00 | DAMPER, WATER SEAL 3 | 1 | |
| 4 | 688-45375-00-00 | DAMPER, SEAL | 1 | |
| 5 | 6J8-45224-10-00 | COVER, WATER INLET 3 | 1 | |
| 6 | 98580-06012-00 | SCREW, PAN HEAD | 2 | |
| 7 | 663-45376-00-94 | GUIDE, SEAL DAMPER | 1 | |
| 8 | 93606-12019-00 | .PIN, DOWEL | 2 | |
| 9 | 97395-10040-00 | BOLT | 4 | |
| 10 | 92990-10100-00 | WASHER, SPRING | 4 | |
| 11 | 92990-10600-00 | WASHER, PLATE | 4 | |
| 12 | 90119-08M92-00 | BOLT, WITH WASHER | 1 | |
| 13 | 689-45214-01-00 | COVER, WATER INLET | 1 | |
| 14 | 6J8-45215-00-00 | COVER, WATER INLET | 1 | |
| 15 | 98680-05525-00 | SCREW.OVAL HEAD | 1 | |
| 16 | 90185-05002-00 | NUT, NYLON | 1 | |
| 17 | 664-45371-01-00 | TAB-TRIM | 1 | |
| 18 | 97395-08020-00 | BOLT, HEXAGON | 1 | |
| 19 | 92990-08100-00 | WASHER, SPRING | 1 | |
| 20 | 92990-08600-00 | ..WASHER, PLATE | 1 | |
| 21 | 6L2-45987-01-00 | SPACER 1 | 1 | |
| 22 | 689-45997-00-00 | SPACER 2 | 1 | |
| 23 | 92990-14200-00 | WASHER, PLAIN | 1 | |
| 24 | 90171-14013-00 | NUT, CASTLE | 1 | |
| 25 | 91490-30030-00 | PIN, COTTER | 1 | |
| 26 | 664-45970-00-98 | PROPELLER (3X9-1/8"X13"-F) | 1 | UR STAINLESS PR |
| 26 | 664-45954-00-EL | PROPELLER (3X9-7/8"X12"-F) | 1 | UR |
| 26 | 664-45952-00-EL | PROPELLER (3X9-7/8"X14"-F) | 1 | UR |
| 26 | 664-45949-02-EL | PROPELLER (3X9-7/8"X13"-F) | 1 | UR |
| 26 | 664-45947-01-EL | PROPELLER (3X9-7/8"X11-1/4"-F) | 1 | UR |
| 26 | 664-45945-00-EL | PROPELLER (3X9-7/8"X10-1/2"-F) | 1 | UR |
| 26 | 664-45941-01-EL | PROPELLER (3X9-7/8"X9"-F) | 1 | UR |
| 26 | 664-45943-01-EL | PROPELLER (3X9-7/8"X8"-F) | 1 | UR |
| 27 | 6J8-W4591-00-EL | PROPELLER (3X10-5/8X8-1/4-F) | 1 | UR |
| 28 | 6J8-45986-10-98 | .RING, DEFLECTOR | 1 | LOW GLOSS BLACK |

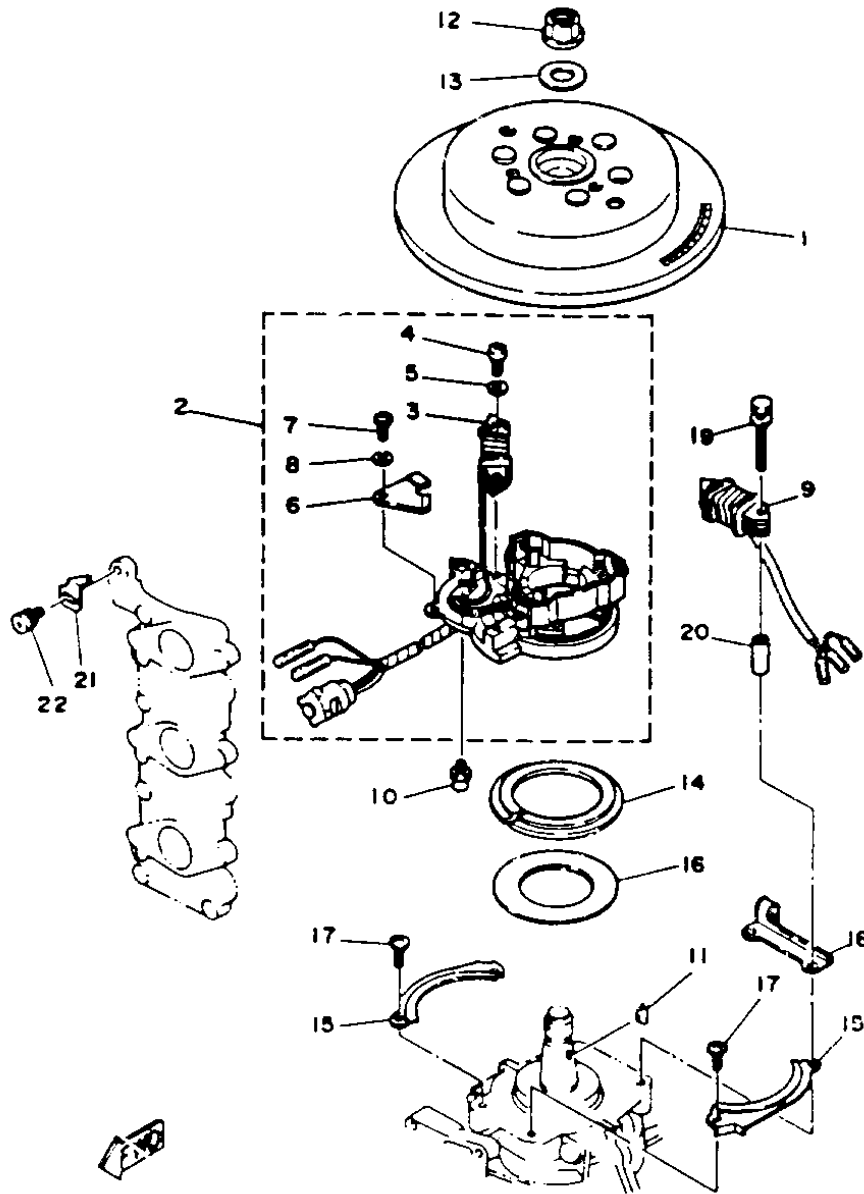
Part Notes

30ELHS 1994 / LOWER DRIVE 2

| PART NUMBER | NOTE TEXT |
|--|--|
| 92990-10600-00  | OEM: This part number is among the Top 100 Most Popular Marine Maintenance Parts as of March 2014. |

©2014 Yamaha Motor Corporation, U.S.A. All rights reserved.

30ELHS 1994 / GENERATOR



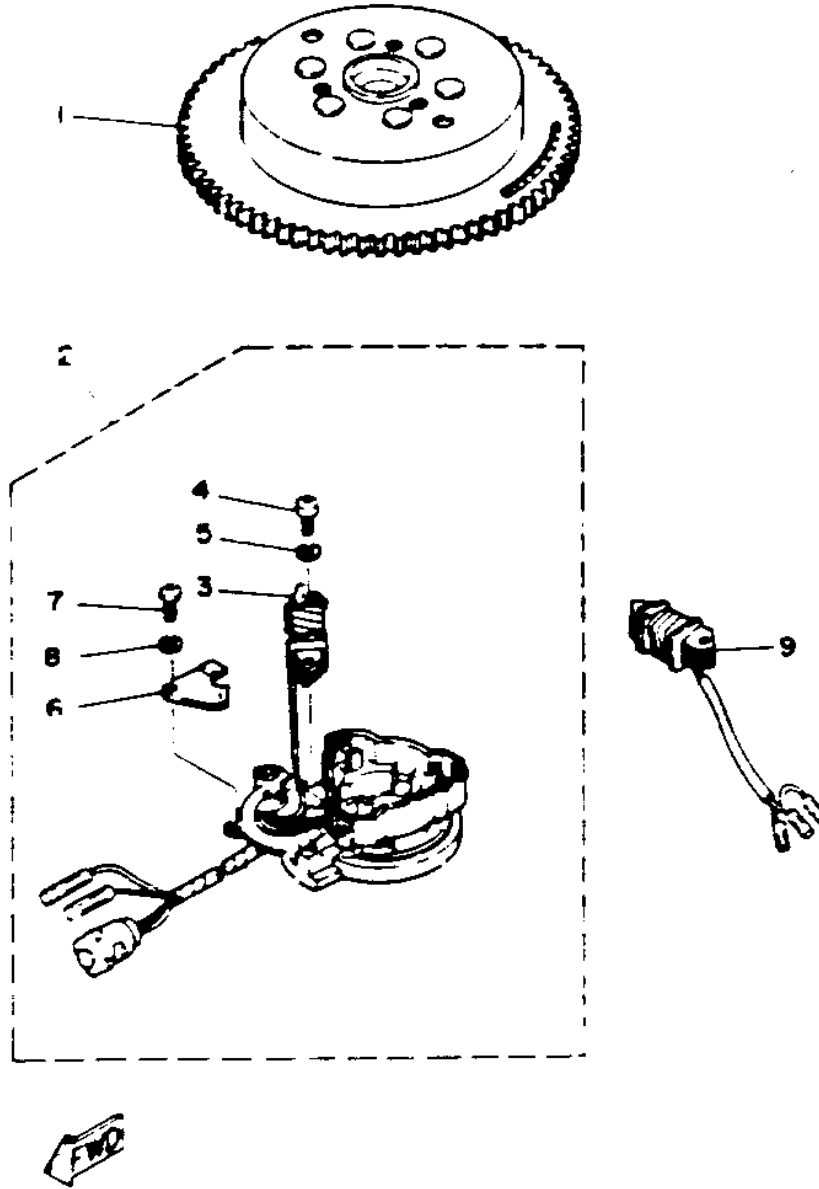
©2014 Yamaha Motor Corporation, U.S.A. All rights reserved.

Part List

30ELHS 1994 / GENERATOR

| REF - NO | PART NUMBER | PART NAME | QUANTITY | REMARKS |
|----------------|-----------------|------------------------|----------|----------------|
| 1 | 6J8-85550-F0-00 | ROTOR ASSEMBLY | 1 | |
| 2 | 6H4-85510-F0-00 | STATOR ASSEMBLY | 1 | MHR MODEL ONLY |
| 3 | 6H4-85520-00-00 | .COIL, CHARGE | 1 | MHR MODEL ONLY |
| 4 | 98580-06020-00 | .SCREW, PAN HEAD | 2 | |
| 5 | 92995-06100-00 | .WASHER, SPRING | 2 | |
| 6 | 6H4-85548-00-00 | .HOLDER | 1 | |
| 7 | 98580-05010-00 | .SCREW, PAN HEAD | 1 | |
| 8 | 92990-05100-00 | .WASHER, SPRING | 1 | |
| 9 | 6H4-85533-A0-00 | COIL, LIGHTING | 1 | |
| 10 | 663-85518-00-00 | JOINT, BALL | 1 | |
| 11 | 90280-16053-00 | KEY, WOODRUFF | 1 | |
| 12 | 90179-16M05-00 | NUT | 1 | |
| 13 | 90201-16M44-00 | WASHER, PLATE | 1 | |
| 14 | 6H4-41611-10-00 | RETAINER, MAGNETO BASE | 1 | |
| 15 | 6J8-41615-00-00 | STOPPER, MAGNETO BASE | 2 | |
| 16 | 6J8-41618-00-00 | WASHER, MAGNETO | 1 | |
| 17 | 98580-06012-00 | SCREW, PAN HEAD | 2 | |
| 18 | 6J8-85548-00-00 | HOLDER | 1 | |
| 19 | 90101-06M00-00 | BOLT | 2 | |
| 20 | 90387-06M76-00 | COLLAR | 2 | |
| 21 | 6J8-81332-00-00 | PLATE, TIMING | 1 | |
| 22 | 97985-05210-00 | SCREW, WITH WASHER | 1 | |

30ELHS 1994 / GENERATOR (ER)



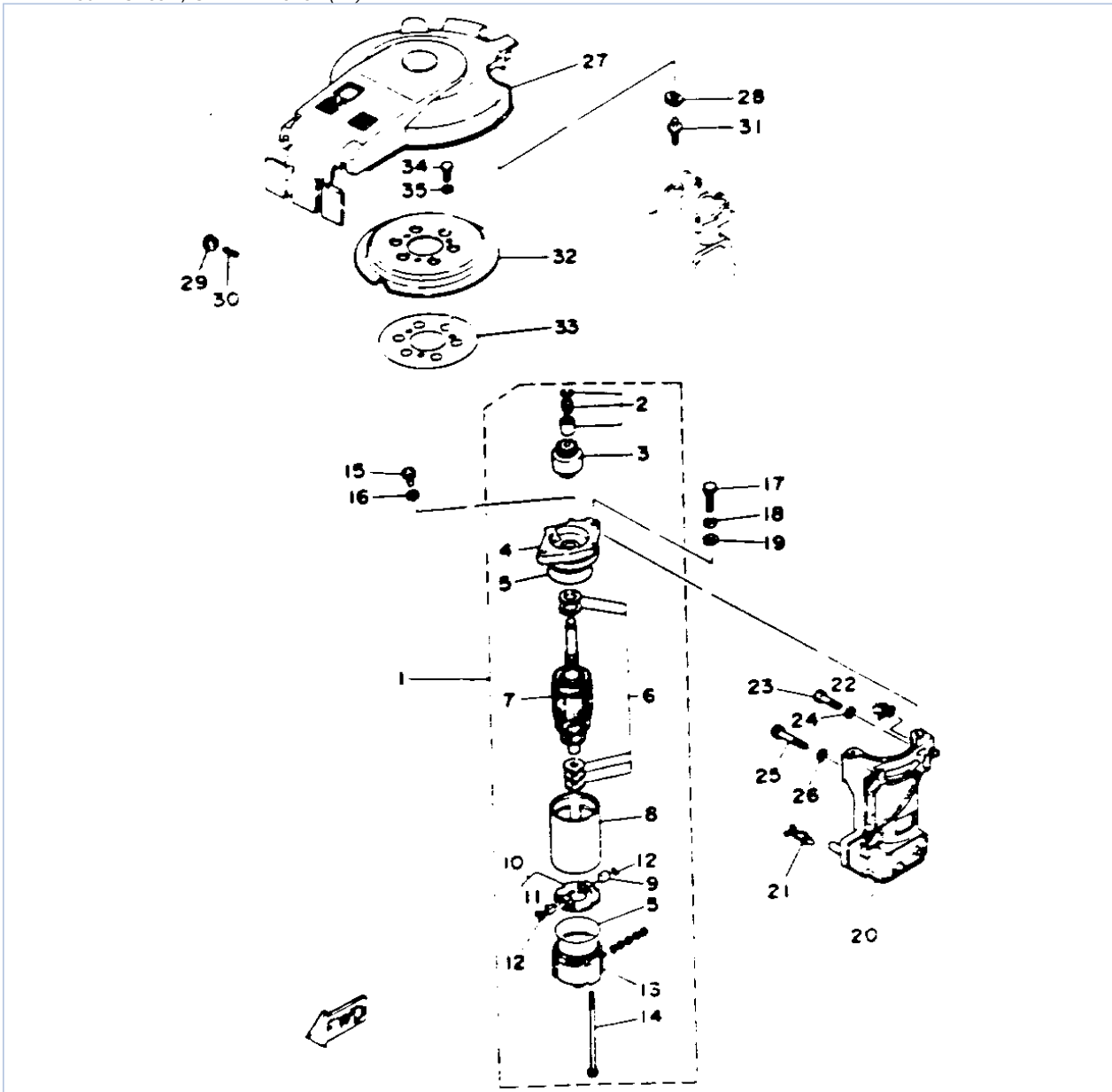
©2014 Yamaha Motor Corporation, U.S.A. All rights reserved.

Part List

30ELHS 1994 / GENERATOR (ER)

| REF - NO | PART NUMBER | PART NAME | QUANTITY | REMARKS |
|----------------|-----------------|------------------|----------|---------|
| 1 | 6J8-85550-A0-00 | ROTOR ASSEMBLY | 1 | |
| 2 | 6J8-85510-A0-00 | STATOR ASSEMBLY | 1 | |
| 3 | 6J8-85520-00-00 | .COIL, CHARGE | 1 | |
| 4 | 98580-06020-00 | .SCREW, PAN HEAD | 2 | |
| 5 | 92995-06100-00 | .WASHER, SPRING | 2 | |
| 6 | 6H4-85548-00-00 | .HOLDER | 1 | |
| 7 | 98580-05010-00 | .SCREW, PAN HEAD | 1 | |
| 8 | 92990-05100-00 | .WASHER, SPRING | 1 | |
| 9 | 6H4-85533-A0-00 | COIL, LIGHTING | 1 | |

30ELHS 1994 / STARTER MOTOR (ER)



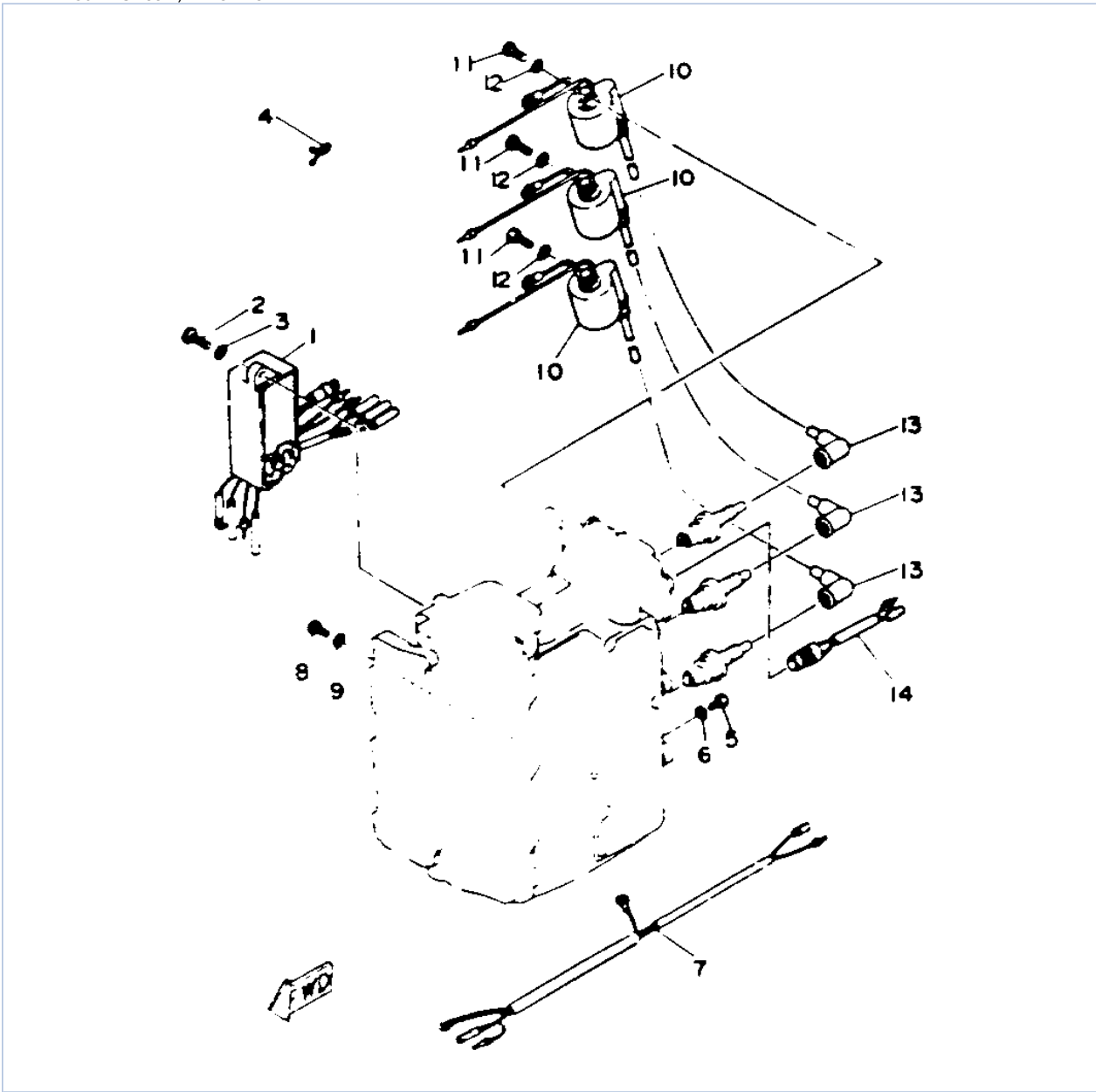
©2014 Yamaha Motor Corporation, U.S.A. All rights reserved.

Part List

30ELHS 1994 / STARTER MOTOR (ER)

| REF - NO | PART NUMBER | PART NAME | QUANTITY | REMARKS |
|----------------|-----------------|-------------------------------|----------|---------|
| 1 | 6J4-81800-01-00 | STARTING MOTOR ASSEMBLY | 1 | |
| 2 | 689-81857-11-00 | .PINION STOPPER SET | 1 | |
| 3 | 689-81807-12-00 | .GEAR ASSY, STARTING MOTOR | 1 | |
| 4 | 6F5-81830-11-00 | .FRONT BRACKET ASSY | 1 | |
| 5 | 689-81847-11-00 | .O-RING | 2 | |
| 6 | 689-81809-11-00 | .WASHER KIT | 1 | |
| 7 | 689-81850-12-00 | .ARMATURE ASSY | 1 | |
| 8 | 689-81810-11-00 | .STATOR ASSY | 1 | |
| 9 | 689-81811-11-00 | .BRUSH 1 | 1 | |
| 10 | 689-81840-11-00 | .BRUSH HOLDER ASSY | 1 | |
| 11 | 689-81812-11-00 | ..BRUSH 2 | 1 | |
| 12 | 689-81813-10-00 | .SPRING, BRUSH | 2 | |
| 13 | 689-81820-11-00 | .REAR BRACKET ASSY | 1 | |
| 14 | 689-81826-10-00 | .BOLT | 2 | |
| 15 | 97313-08016-00 | BOLT, HEXAGON | 1 | |
| 16 | 92990-08600-00 | ..WASHER, PLATE | 1 | |
| 17 | 97313-08030-00 | BOLT | 2 | |
| 18 | 92990-08100-00 | WASHER, SPRING | 2 | |
| 19 | 92990-08600-00 | ..WASHER, PLATE | 2 | |
| 20 | 6J8-81822-00-94 | BRACKET, STARTING MOTOR | 1 | |
| 21 | 90464-12M09-00 | CLAMP | 2 | |
| 22 | 90464-03M15-00 | .CLAMP | 1 | |
| 23 | 97313-08035-00 | BOLT | 2 | |
| 24 | 92990-08600-00 | ..WASHER, PLATE | 2 | |
| 25 | 97313-08055-00 | BOLT, HEXAGON | 1 | |
| 26 | 92990-08600-00 | ..WASHER, PLATE | 1 | |
| 27 | 6J8-81337-10-00 | COVER, FLYWHEEL | 1 | |
| 28 | 90480-14M17-00 | GROMMET | 1 | |
| 29 | 90480-10M16-00 | .GROMMET | 2 | |
| 30 | 91690-50022-00 | PIN, SPRING | 2 | |
| 31 | 6J8-81338-00-00 | STAY | 1 | |
| 32 | 6J8-15723-E1-00 | PULLEY, STARTER | 1 | |
| 33 | 6J8-81365-A0-00 | GASKET, HOLE COVER | 1 | |
| 34 | 97011-08016-00 | BOLT | 3 | |
| 35 | 92990-08600-00 | ..WASHER, PLATE | 3 | |

30ELHS 1994 / ELECTRICAL 1



©2014 Yamaha Motor Corporation, U.S.A. All rights reserved.




Part List

30ELHS 1994 / ELECTRICAL 1

| REF - NO | PART NUMBER | PART NAME | QUANTITY | REMARKS |
|----------------|-----------------|------------------------|----------|---------|
| 1 | 6J8-85540-H0-00 | C.D.I. UNIT ASSEMBLY | 1 | |
| 2 | 97313-06025-00 | BOLT | 2 | |
| 3 | 92990-06600-00 | WASHER, PLATE | 2 | |
| 4 | 90464-16039-00 | CLAMP | 1 | |
| 5 | 97395-06012-00 | BOLT | 1 | |
| 6 | 92990-06600-00 | WASHER, PLATE | 1 | |
| 7 | 6J8-82531-00-00 | WIRE, LEAD | 1 | |
| 8 | 97395-06012-00 | BOLT | 1 | |
| 9 | 92990-06600-00 | WASHER, PLATE | 1 | |
| 10 | 6H4-85570-20-00 | IGNITION COIL ASSEMBLY | 3 | |
| 11 | 97395-06020-00 | BOLT, HEXAGON | 6 | |
| 12 | 92995-06100-00 | WASHER, SPRING | 6 | |
| 13 | 663-82370-01-00 | PLUG CAP ASSY | 3 | |
| 14 | 689-82560-00-00 | THERMO SWITCH ASSEMBLY | 1 | |

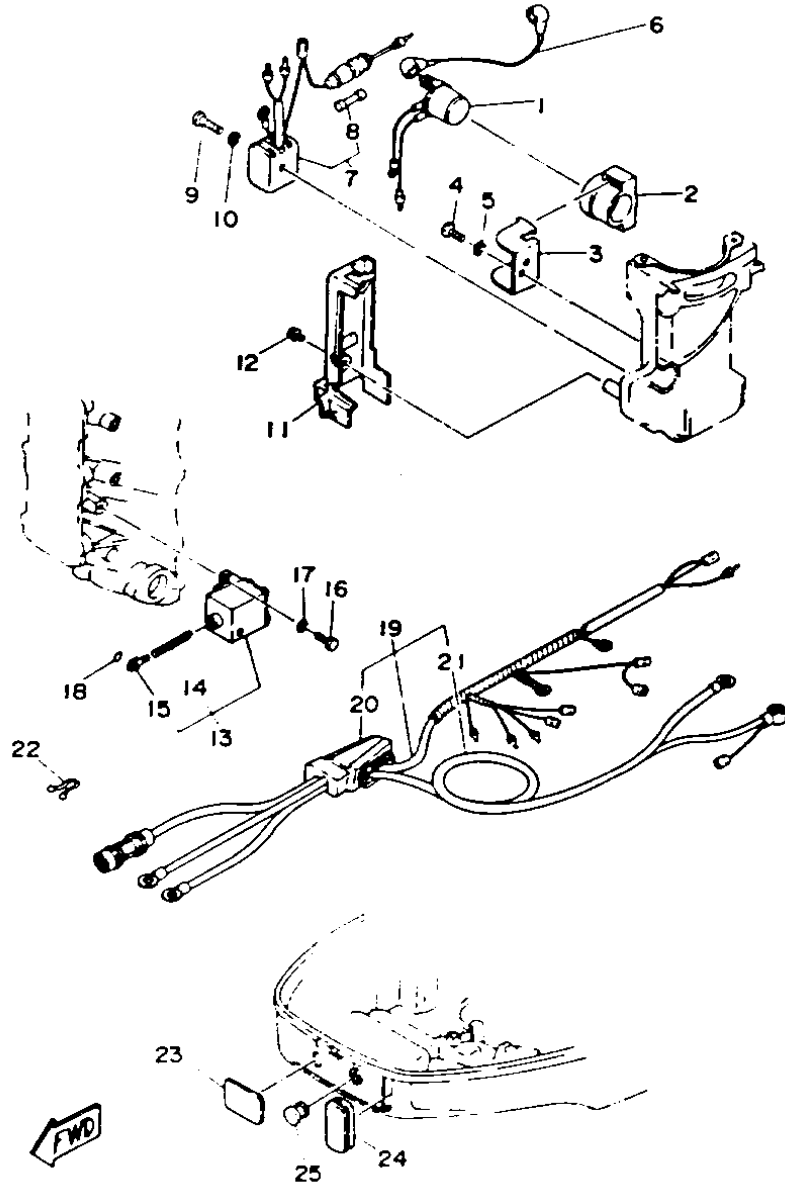
Part Notes

30ELHS 1994 / ELECTRICAL 1

| PART NUMBER | | NOTE TEXT |
|----------------|--|--|
| 92990-06600-00 |  | OEM: This part number is among the Top 100 Most Popular Marine Maintenance Parts as of March 2014. |
| 92990-06600-00 |  | OEM: This part number is among the Top 100 Most Popular Marine Maintenance Parts as of March 2014. |
| 92990-06600-00 |  | OEM: This part number is among the Top 100 Most Popular Marine Maintenance Parts as of March 2014. |

©2014 Yamaha Motor Corporation, U.S.A. All rights reserved.

30ELHS 1994 / ELECTRIC PARTS (ER)



©2014 Yamaha Motor Corporation, U.S.A. All rights reserved.



Part List

30ELHS 1994 / ELECTRIC PARTS (ER)

| REF - NO | PART NUMBER | PART NAME | QUANTITY | REMARKS |
|----------------|-----------------|-----------------------|----------|---------|
| 1 | 6G1-81941-10-00 | STARTER RELAY ASSY | 1 | |
| 2 | 6G1-81952-00-00 | HOLDER, RELAY | 1 | |
| 3 | 6J8-81945-00-00 | PLATE, SWITCH FITTING | 1 | |
| 4 | 97313-06016-00 | BOLT, HEXAGON | 1 | |
| 5 | 92990-06600-00 | WASHER, PLATE | 1 | |
| 6 | 6F5-82117-00-00 | WIRE, LEAD | 1 | |
| 7 | 6G1-81970-61-00 | RECTIFIER ASSY | 1 | |
| 8 | 6G1-82151-00-00 | .FUSE (10A) | 1 | |
| 9 | 98503-05025-00 | SCREW, PAN HEAD | 1 | |
| 10 | 92990-05600-00 | WASHER, PLATE | 1 | |
| 11 | 6J8-81916-00-00 | COVER, TERMINAL | 1 | |
| 12 | 97985-05210-00 | SCREW, WITH WASHER | 2 | |
| 13 | 6J8-86110-00-00 | SOLENOID | 1 | |
| 14 | 6J8-86116-00-00 | .WIRE PULL | 1 | |
| 15 | 682-86117-00-00 | .HOOK, WIRE PULL | 1 | |
| 16 | 97313-06016-00 | BOLT, HEXAGON | 2 | |
| 17 | 92990-06600-00 | WASHER, PLATE | 2 | |
| 18 | 93210-03261-00 | O-RING | 1 | |
| 19 | 6J8-82580-00-00 | WIRE HARNESS ASSY 2 | 1 | |
| 20 | 6J8-42724-50-00 | .GROMMET | 1 | |
| 21 | 689-82105-12-00 | .BATTERY CABLE | 1 | |
| 22 | 90464-05M16-00 | CLAMP | 1 | |
| 23 | 6J8-42726-20-00 | GROMMET | 1 | |
| 24 | 6J8-42726-10-00 | GROMMET | 1 | |
| 25 | 6H4-42725-00-00 | GROMMET | 1 | |

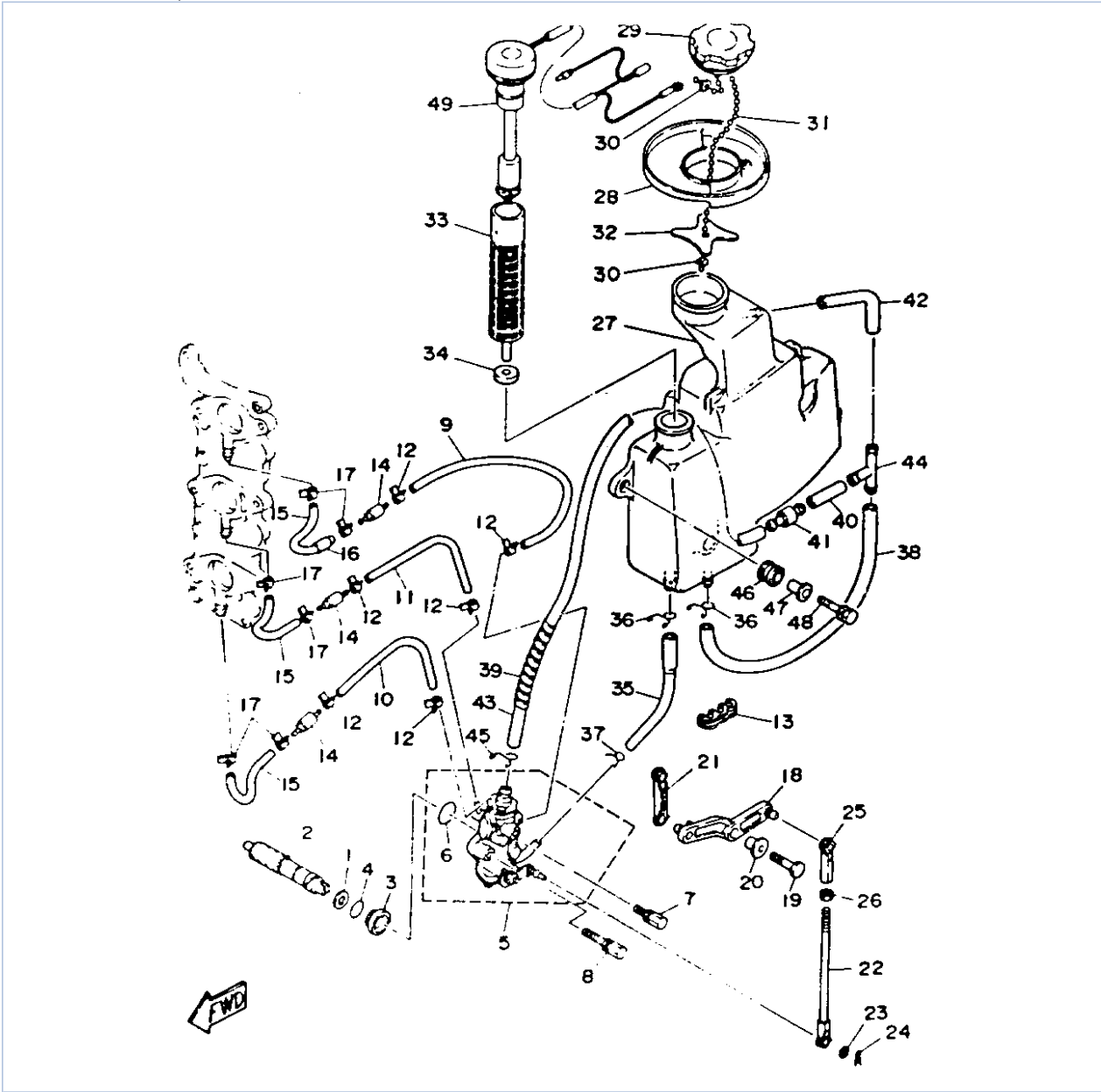
Part Notes

30ELHS 1994 / ELECTRIC PARTS (ER)

| PART NUMBER | NOTE TEXT |
|--|--|
| 92990-06600-00  | OEM: This part number is among the Top 100 Most Popular Marine Maintenance Parts as of March 2014. |
| 92990-06600-00  | OEM: This part number is among the Top 100 Most Popular Marine Maintenance Parts as of March 2014. |

©2014 Yamaha Motor Corporation, U.S.A. All rights reserved.

30ELHS 1994 / OIL PUMP



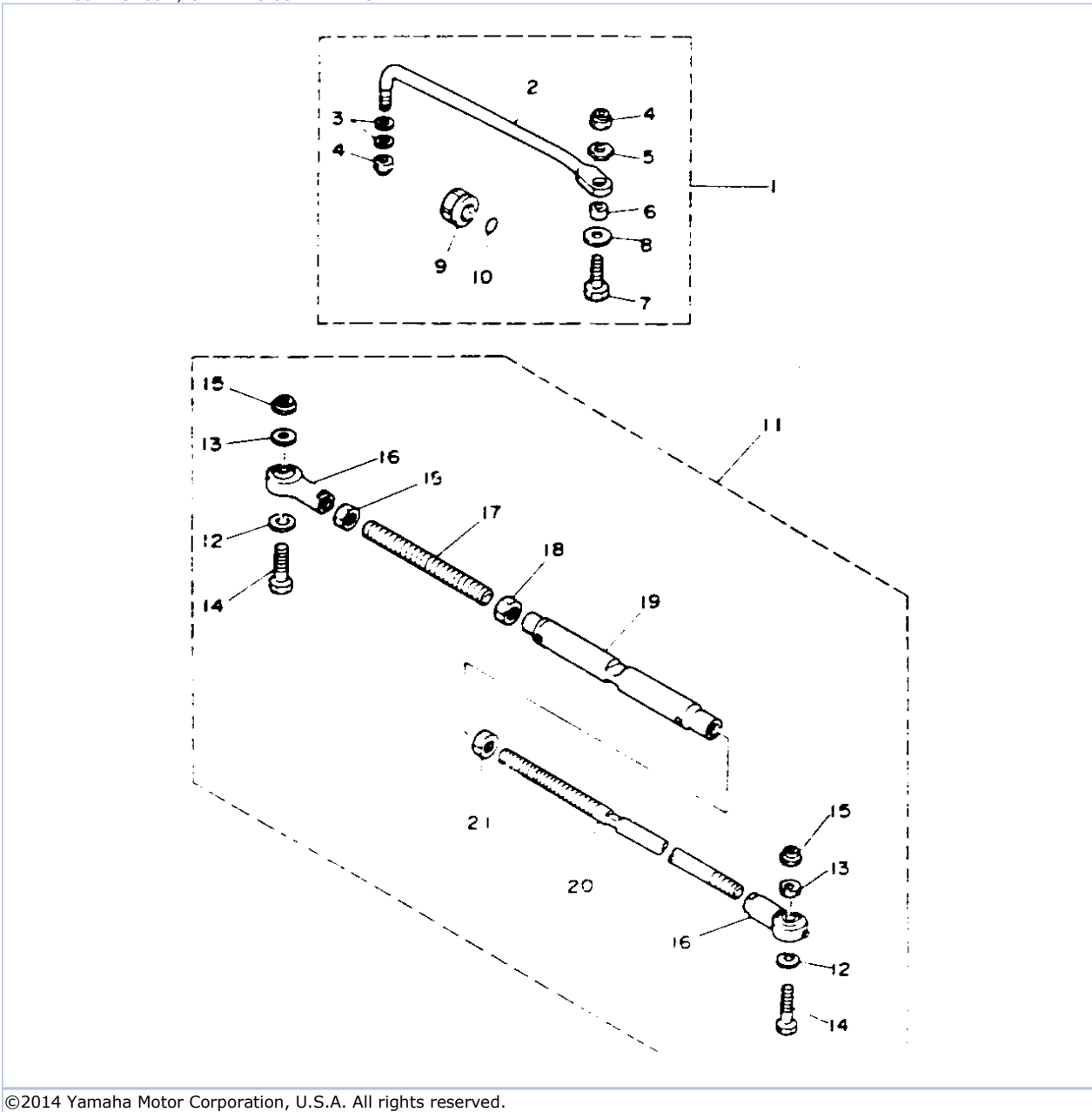
©2014 Yamaha Motor Corporation, U.S.A. All rights reserved.

Part List

30ELHS 1994 / OIL PUMP

| REF - NO | PART NUMBER | PART NAME | QUANTITY | REMARKS |
|----------------|-----------------|-------------------------|----------|---------------|
| 1 | 90201-08M93-00 | WASHER, PLATE | 1 | |
| 2 | 6J8-11537-00-00 | GEAR, DRIVEN | 1 | |
| 3 | 6J8-13117-00-00 | COLLAR, DISTANCE | 1 | |
| 4 | 93210-13595-00 | O-RING | 1 | |
| 5 | 6J8-13200-01-00 | OIL INJECTION PUMP ASSY | 1 | |
| 6 | 93210-19M82-00 | .O-RING | 1 | |
| 7 | 90109-05M32-00 | BOLT | 1 | |
| 8 | 90109-05M33-00 | BOLT | 1 | |
| 9 | 90445-07M08-00 | HOSE (L220) | 1 | |
| 10 | 90445-07M32-00 | HOSE (L120) | 1 | |
| 11 | 90445-07M32-00 | HOSE (L120) | 1 | |
| 12 | 90468-07M02-00 | CLIP | 6 | |
| 13 | 90464-07M05-00 | CLAMP | 1 | |
| 14 | 6E9-13183-70-00 | VALVE, CHECK | 3 | |
| 15 | 90445-07M04-00 | HOSE (L50) | 3 | |
| 16 | 90445-11M08-00 | HOSE (L10) | 1 | |
| 17 | 90468-07M02-00 | CLIP | 6 | |
| 18 | 6J8-13155-00-00 | LEVER, CONTROL | 1 | |
| 19 | 97313-06025-00 | BOLT | 1 | |
| 20 | 90387-06M60-00 | COLLAR | 1 | |
| 21 | 6J8-41238-00-00 | JOINT, LINK | 1 | |
| 22 | 6J8-41237-00-00 | JOINT, LINK | 1 | |
| 23 | 90202-05088-00 | WASHER, PLATE | 1 | |
| 24 | 90468-05M03-00 | CLIP | 1 | |
| 25 | 682-41237-00-00 | JOINT, LINK | 1 | |
| 26 | 95380-05700-00 | NUT | 1 | |
| 27 | 6J8-21707-01-00 | OIL TANK COMP. | 1 | UR 30ER MODEL |
| 27 | 6J8-21707-11-00 | OIL TANK COMP. | 1 | UR 30MH MODEL |
| 28 | 6J8-2173M-00-00 | SEAL 3 | 1 | 30ER MODEL |
| 29 | 6H4-21770-00-00 | OIL TANK CAP ASSY | 1 | |
| 30 | 6H1-21757-00-00 | WASHER, SPECIAL 1 | 2 | |
| 31 | 6H1-24633-00-00 | CHAIN, BALL | 1 | |
| 32 | 6J8-21758-00-00 | WASHER, SPECIAL 2 | 1 | |
| 33 | 6J8-13411-00-00 | STRAINER, OIL | 1 | |
| 34 | 6J8-13414-00-00 | GASKET, STRAINER COVER | 1 | |
| 35 | 6J8-13416-00-00 | PIPE, OIL 1 | 1 | |
| 36 | 90467-11M08-00 | CLIP | 2 | |
| 37 | 90467-08004-00 | CLIP | 1 | |
| 38 | 90445-11M03-00 | HOSE (L330) | 1 | |
| 39 | 90446-10M01-00 | HOSE (L60) | 1 | |
| 40 | 90445-11M07-00 | HOSE (L30) | 1 | |
| 41 | 6J8-21744-00-00 | BREATHER | 1 | |
| 42 | 90445-11M02-00 | HOSE (L100) | 1 | |
| 43 | 90445-11M04-00 | HOSE (L400) | 1 | |
| 44 | 6E5-24378-00-00 | PIPE, JOINT 3 | 1 | |
| 45 | 90467-10M04-00 | CLIP | 1 | |
| 46 | 6A0-82317-00-00 | DAMPER, IGNITION COIL | 3 | |
| 47 | 624-42542-00-00 | PIPE | 3 | |
| 48 | 90119-06M65-00 | BOLT, WITH WASHER | 3 | |
| 49 | 6J8-85720-01-00 | OIL LEVEL GAUGE ASSY | 1 | |

30ELHS 1994 / STEERING GUIDE ATTACHMENT



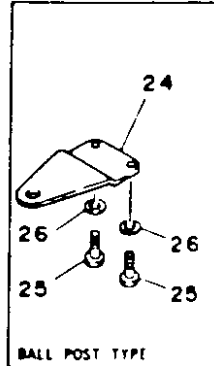
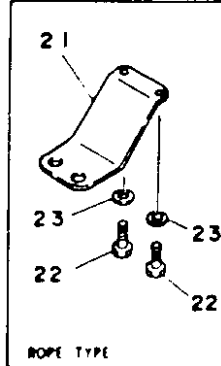
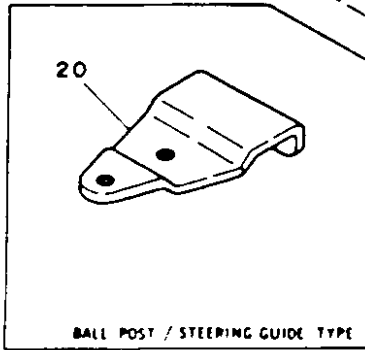
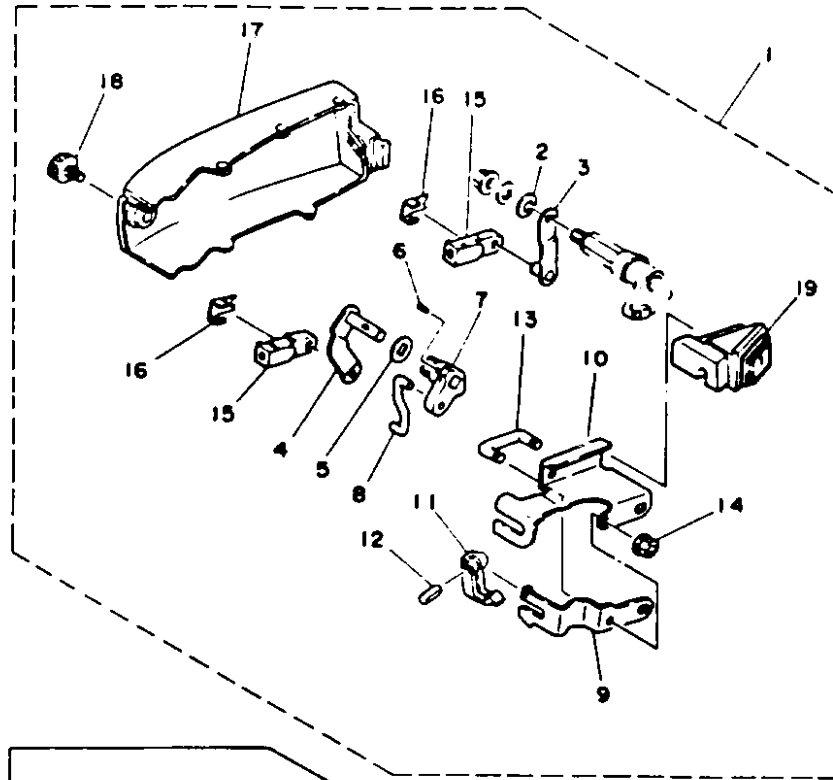
©2014 Yamaha Motor Corporation, U.S.A. All rights reserved.

Part List

30ELHS 1994 / STEERING GUIDE ATTACHMENT

| REF - NO | PART NUMBER | PART NAME | QUANTITY | REMARKS |
|----------------|-----------------|----------------------------------|----------|---------|
| 1 | 689-61350-02-00 | STEERING GUIDE ATTACHMENT KIT | 1 | |
| 2 | 689-61351-01-00 | .ROD, STEERING LINK | 1 | |
| 3 | 90201-10M20-00 | .WASHER, PLATE | 2 | |
| 4 | 90185-09M01-00 | .NUT, SELF-LOCKING | 2 | |
| 5 | 90170-09M03-00 | .NUT | 1 | |
| 6 | 90387-10M42-00 | .COLLAR | 1 | |
| 7 | 6E5-61355-00-00 | .BOLT | 1 | |
| 8 | 90201-10M63-00 | .WASHER, PLATE | 1 | |
| 9 | 6E5-43145-00-00 | .CAP, CLAMP BRACKET | 1 | |
| 10 | 93210-16275-00 | .O-RING | 1 | |
| 11 | 688-61301-01-00 | TIE BAR KIT (L:430-630MM) | 1 | |
| 12 | 90201-10M76-00 | .WASHER, PLATE | 2 | |
| 13 | 90170-09M05-00 | .NUT | 2 | |
| 14 | 90101-09M70-00 | .BOLT | 2 | |
| 15 | 90185-09M01-00 | .NUT, SELF-LOCKING | 2 | |
| 16 | 6E5-61303-00-00 | .STEERING AXLE COMP | 2 | |
| 17 | 6E5-61315-00-00 | .TIE BAR | 1 | |
| 18 | 95380-14700-00 | .NUT | 2 | |
| 19 | 6E5-61313-00-00 | .ADJUSTER | 1 | |
| 20 | 688-61311-11-00 | .TIE BAR | 1 | |
| 21 | 90170-14M06-00 | .NUT | 1 | |

30ELHS 1994 / REMOTE CONTROL ATTACHMENT



©2014 Yamaha Motor Corporation, U.S.A. All rights reserved.



Part List

30ELHS 1994 / REMOTE CONTROL ATTACHMENT

| REF - NO | PART NUMBER | PART NAME | QUANTITY | REMARKS |
|----------------|-----------------|-------------------------------|----------|----------------|
| 1 | 6J8-48501-02-EK | ATTACHMENT ASSEMBLY | 1 | |
| 2 | 92990-08100-00 | .WASHER, SPRING | 1 | |
| 3 | 6J8-48534-00-00 | .THROTTLE LEVER, CONTROL | 1 | |
| 4 | 6J8-48544-01-00 | .LEVER, SHIFTCONTROL | 1 | |
| 5 | 6J8-44177-00-00 | .WASHER | 1 | |
| 6 | 91690-30316-00 | .PIN, SPRING | 1 | |
| 7 | 6J8-44173-02-00 | .LEVER, SHIFT CONTROL | 1 | |
| 8 | 6J8-42169-01-00 | .JOINT | 1 | |
| 9 | 6J8-48531-00-00 | .BRACKET, REMOTE CONTROL 1 | 1 | |
| 10 | 6J8-48532-00-00 | .BRACKET, REMOTE CONTROL 2 | 1 | |
| 11 | 682-48538-50-00 | .CLAMP, CABLE 1 | 1 | |
| 12 | 91690-30012-00 | .PIN, SPRING | 1 | |
| 13 | 90109-06M29-00 | .BOLT | 1 | |
| 14 | 90179-06M24-00 | .NUT | 2 | |
| 15 | 6G8-26363-00-00 | .END, WIRE 1 | 2 | |
| 16 | 6G8-26364-00-00 | .END, CABLE | 2 | |
| 17 | 6J8-42723-50-00 | .COVER, BOTTOM | 1 | |
| 18 | 6J8-42846-00-00 | .SCREW | 1 | |
| 19 | 6J8-42724-10-00 | .GROMMET | 1 | |
| 20 | 6J8-48511-51-EK | HOOK STEERING | 1 | STEERING GUIDE |
| 21 | 6G8-48511-00-00 | HOOK STEERING | 1 | ROPE TYPE |
| 22 | 97395-06016-00 | BOLT, HEX | 2 | |
| 23 | 92990-06600-00 | WASHER, PLATE | 2 | |
| 24 | 6G8-48511-10-00 | HOOK, STEERING | 1 | BALL POST TYPE |
| 25 | 97395-06016-00 | BOLT, HEX | 2 | |
| 26 | 92990-06600-00 | WASHER, PLATE | 2 | |

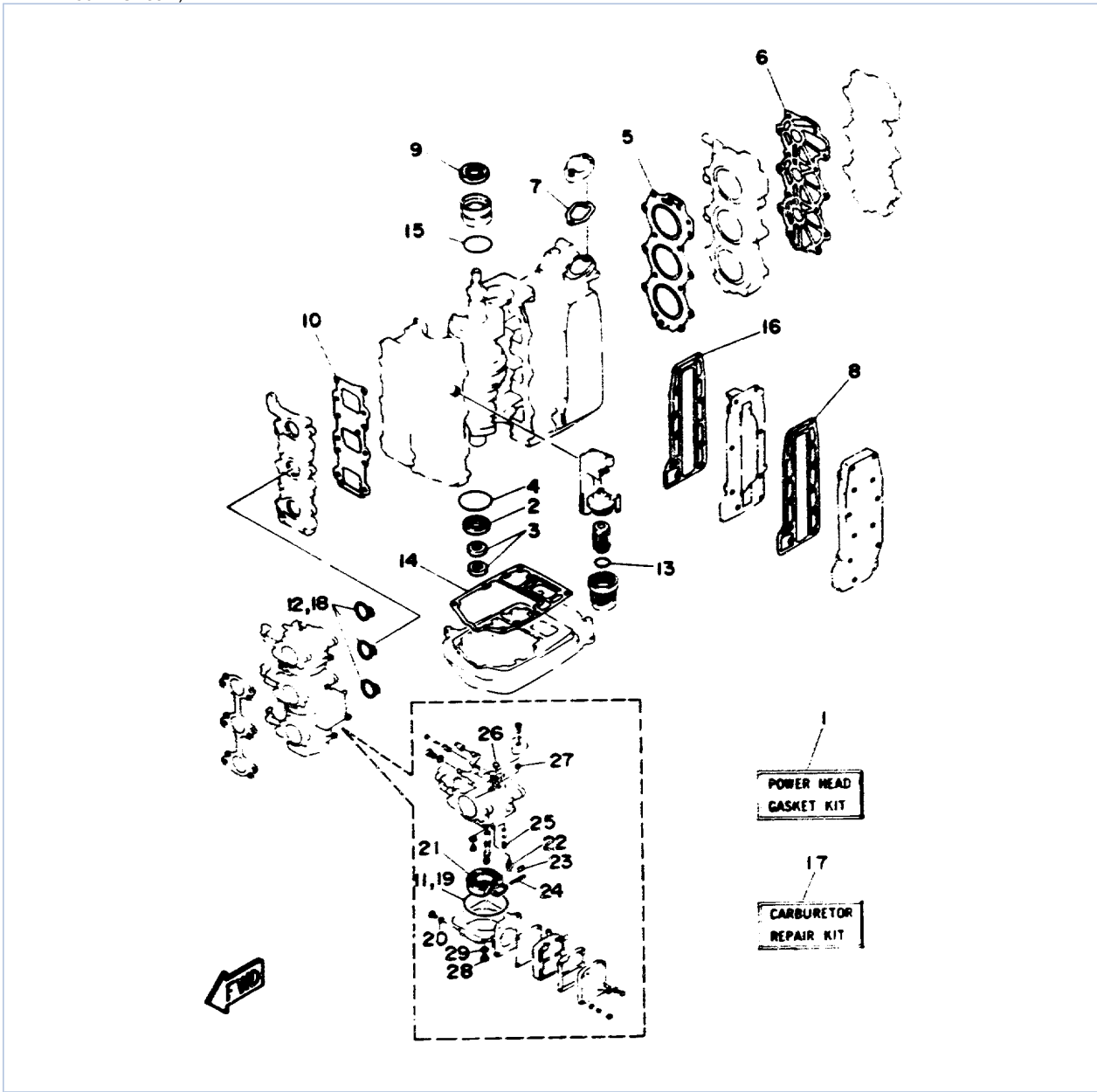
Part Notes

30ELHS 1994 / REMOTE CONTROL ATTACHMENT

| PART NUMBER | | NOTE TEXT |
|----------------|---|--|
| 92990-06600-00 |  | OEM: This part number is among the Top 100 Most Popular Marine Maintenance Parts as of March 2014. |
| 92990-06600-00 |  | OEM: This part number is among the Top 100 Most Popular Marine Maintenance Parts as of March 2014. |

©2014 Yamaha Motor Corporation, U.S.A. All rights reserved.

30ELHS 1994 / REPAIR KIT 1



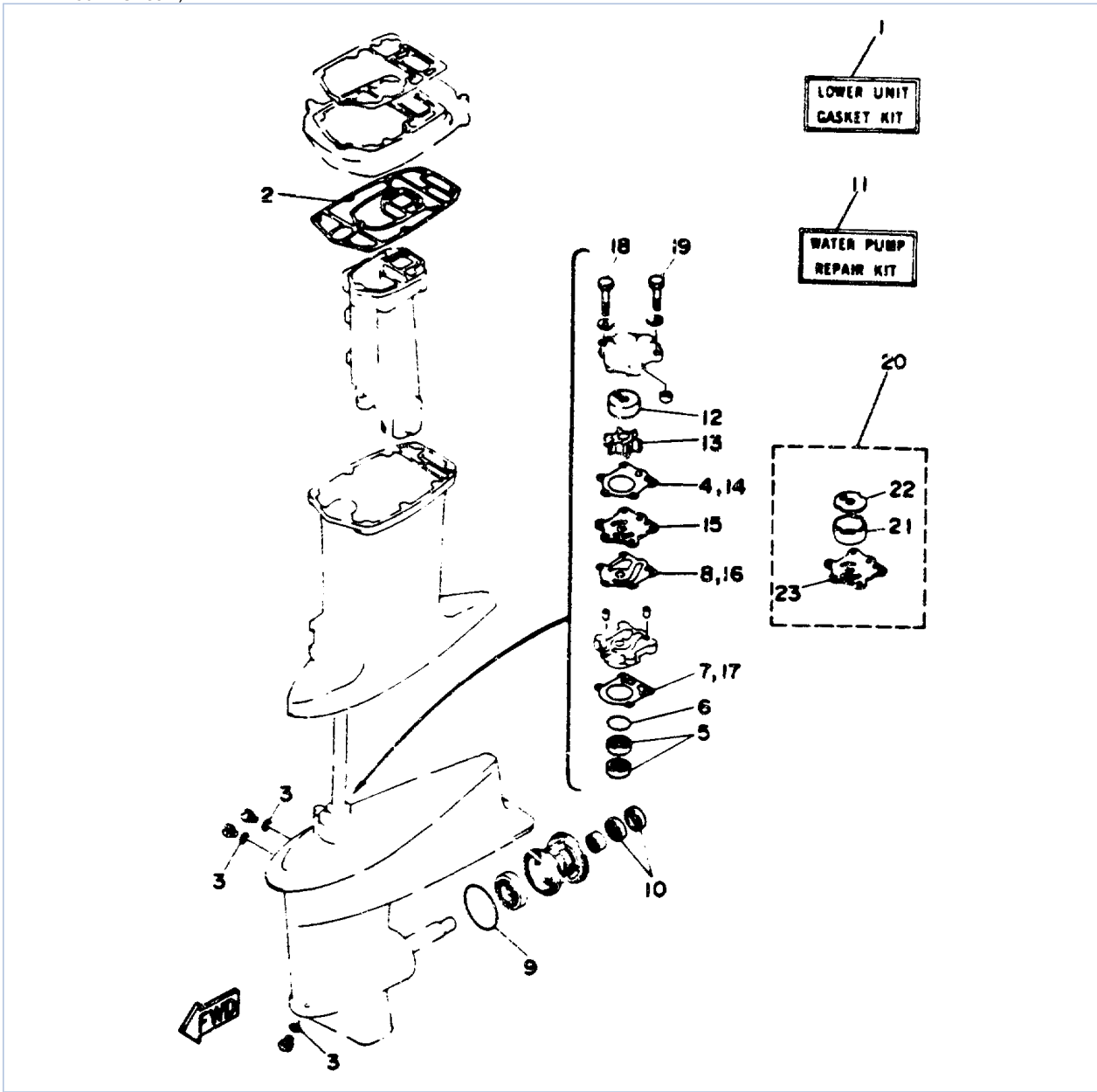
©2014 Yamaha Motor Corporation, U.S.A. All rights reserved.

Part List

30ELHS 1994 / REPAIR KIT 1

| REF - NO | PART NUMBER | PART NAME | QUANTITY | REMARKS |
|----------------|-----------------|---------------------------------|----------|---------|
| 1 | 6J8-W0001-01-00 | POWERHEAD GASKET KIT | 1 | |
| 2 | 93101-25M28-00 | .OIL SEAL | 1 | |
| 3 | 93101-16M36-00 | .OIL SEAL | 2 | |
| 4 | 93210-56M80-00 | .O-RING | 1 | |
| 5 | 6J8-11181-A0-00 | .GASKET, CYLINDER HEAD 1 | 1 | |
| 6 | 6J8-11193-A1-00 | .GASKET, HEAD COVER 1 | 1 | |
| 7 | 6J8-12414-A0-00 | .GASKET, COVER | 1 | |
| 8 | 6J8-41114-A0-00 | .GASKET, EXHAUST OUTER COVER | 1 | |
| 9 | 93102-26M27-00 | .OIL SEAL | 1 | |
| 10 | 6J8-13621-00-00 | .GASKET, VALVE SEAT | 1 | |
| 11 | 6J8-14984-00-00 | .GASKET, FLOAT CHAMBER | 3 | |
| 12 | 6J8-14198-00-00 | .GASKET | 3 | |
| 13 | 93210-37M25-00 | .O-RING | 1 | |
| 14 | 6J8-45113-A0-00 | .GASKET, UPPER CASING | 1 | |
| 15 | 93210-42159-00 | .O-RING | 1 | |
| 16 | 6J8-41112-A0-00 | .GASKET, EXHAUST INNER COVER | 1 | |
| 17 | 6J8-W0093-00-00 | CARBURETOR REPAIR KIT | 1 | |
| 18 | 6J8-14198-00-00 | .GASKET | 3 | |
| 19 | 6J8-14984-00-00 | .GASKET, FLOAT CHAMBER | 3 | |
| 20 | 6J8-14995-00-00 | .GASKET | 3 | |
| 21 | 6J8-14985-00-00 | .FLOAT | 3 | |
| 22 | 6E5-14546-00-00 | .VALVE, NEEDLE | 3 | |
| 23 | 6J8-14159-00-00 | .CLIP | 3 | |
| 24 | 6J8-14548-00-00 | .PIN, FLOAT ARM | 3 | |
| 25 | 6J8-14966-00-00 | .PLUG | 3 | |
| 26 | 6J8-14126-00-00 | .PLUG | 3 | |
| 27 | 6J8-14118-00-00 | .PLUG | 3 | |
| 28 | 98511-04012-00 | .SCREW, PAN HEAD | 1 | |
| 29 | 92901-04100-00 | .WASHER, SPRING | 3 | |

30ELHS 1994 / REPAIR KIT 2



©2014 Yamaha Motor Corporation, U.S.A. All rights reserved.



Part List

30ELHS 1994 / REPAIR KIT 2

| REF - NO | PART NUMBER | PART NAME | QUANTITY | REMARKS |
|----------------|-----------------|-------------------------|----------|---------|
| 1 | 6J8-W0001-22-00 | LOWER UNIT GASKET KIT | 1 | |
| 2 | 6J8-45114-A1-00 | .GASKET, UPPER CASING | 1 | |
| 3 | 90430-08020-00 | .GASKET | 2 | |
| 4 | 663-44315-A0-00 | .GASKET, WATER PUMP | 1 | |
| 5 | 93101-23070-00 | .OIL SEAL | 2 | |
| 6 | 93210-41042-00 | .O-RING | 1 | |
| 7 | 663-44316-A0-00 | .GASKET, WATER PUMP | 1 | |
| 8 | 663-44324-A0-00 | .GASKET, CARTRIDGE | 1 | |
| 9 | 93210-60MA3-00 | .O-RING | 1 | |
| 10 | 93101-20M07-00 | .OIL SEAL | 2 | |
| 11 | 6J8-W0078-01-00 | WATER PUMP REPAIR KIT | 1 | |
| 12 | 663-44322-00-00 | .INSERT, CARTRIDGE | 1 | |
| 13 | 6H4-44352-02-00 | .IMPELLER | 1 | |
| 14 | 663-44315-A0-00 | .GASKET, WATER PUMP | 1 | |
| 15 | 663-44323-00-00 | .OUTER PLATE, CARTRIDGE | 1 | |
| 16 | 663-44324-A0-00 | .GASKET, CARTRIDGE | 1 | |
| 17 | 663-44316-A0-00 | .GASKET, WATER PUMP | 1 | |
| 18 | 97395-08050-00 | .BOLT | 2 | |
| 19 | 97395-08040-00 | .BOLT | 2 | |
| 20 | 6H4-W0078-0A-00 | CHROME PUMP KIT | 1 | |
| 21 | 670-44322-01-00 | .INSERT, CARTRIDGE | 1 | |
| 22 | 670-44321-00-00 | .INNER PLATE, CARTRIDGE | 1 | |
| 23 | 670-44323-00-00 | .OUTER PLATE, CARTRIDGE | 1 | |

Part Notes

30ELHS 1994 / REPAIR KIT 2

| PART NUMBER | | NOTE TEXT |
|-----------------|---|--|
| 90430-08020-00 |  | OEM: This part number is among the Top 100 Most Popular Marine Maintenance Parts as of March 2014. |
| 6H4-44352-02-00 |  | OEM: This part number is among the Top 100 Most Popular Marine Maintenance Parts as of March 2014. |

©2014 Yamaha Motor Corporation, U.S.A. All rights reserved.

©2014 Yamaha Motor Corporation, U.S.A. All rights reserved.