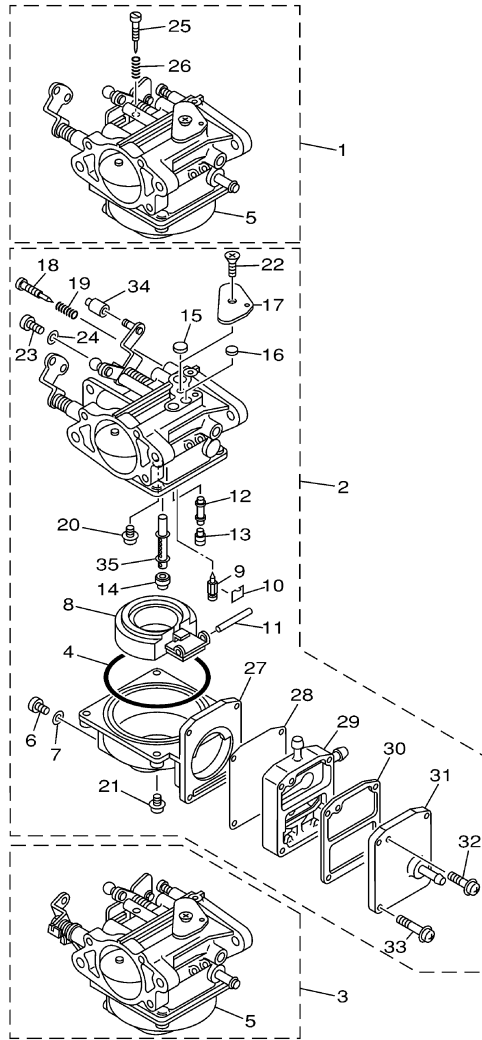


30MLHZ 2001 / CARBURETOR



FWD  
6J80010-9050

©2014 Yamaha Motor Corporation, U.S.A. All rights reserved.

## Part List

30MLHZ 2001 / CARBURETOR

| REF - NO | PART NUMBER     | PART NAME              | QUANTITY | REMARKS                           |
|----------|-----------------|------------------------|----------|-----------------------------------|
| 1        | 6K9-14301-01-00 | CARBURETOR ASSY 1      | 1        | UR 25,NON OIL INJECTION MODEL (M) |
| 1        | 6J8-14301-11-00 | CARBURETOR ASSY 1      | 1        | UR 30                             |
| 2        | 6J8-14302-01-00 | CARBURETOR ASSY 2      | 1        | UR 30                             |
| 3        | 6J8-14303-01-00 | CARBURETOR ASSY 3      | 1        | UR 30                             |
| 4        | 6J8-14984-00-00 | .GASKET, FLOAT CHAMBER | 3        |                                   |
| 5        | 6J8-14980-00-00 | .BODY, FLOAT CHAMBER   | 2        | 2,3                               |
| 6        | 6J8-14991-00-00 | .SCREW                 | 3        |                                   |
| 7        | 6J8-14995-00-00 | .GASKET                | 3        |                                   |
| 8        | 6J8-14985-00-00 | .FLOAT                 | 3        |                                   |
| 9        | 6J8-14546-00-00 | .VALVE, NEEDLE         | 3        |                                   |
| 10       | 6J8-14159-00-00 | .CLIP                  | 3        |                                   |
| 11       | 6J8-14548-00-00 | .PIN, FLOAT ARM        | 3        |                                   |
| 12       | 6J8-1492F-25-00 | .JET, AIR SLOW (#50)   | 3        | UR 30                             |
| 13       | 6J8-14966-00-00 | .PLUG                  | 3        |                                   |
| 14       | 6J8-1492E-51-00 | .JET, MAIN (#102)      | 3        | UR 30                             |
| 15       | 6J8-14126-00-00 | .PLUG                  | 3        |                                   |
| 16       | 6J8-14118-00-00 | .PLUG                  | 3        |                                   |
| 17       | 6J8-14527-01-00 | .PLATE                 | 3        |                                   |
| 18       | 6J8-14923-00-00 | .SCREW, PILOT          | 3        |                                   |
| 19       | 6J8-14555-00-00 | .SPRING                | 3        |                                   |
| 20       | 97980-04110-00  | .SCREW, WITH WASHER    | 3        |                                   |
| 21       | 97980-04112-00  | .SCREW, WITH WASHER    | 12       |                                   |
| 22       | 98780-05008-00  | .SCREW, FLAT HEAD      | 3        |                                   |
| 23       | 6J8-14592-01-00 | .SCREW                 | 3        |                                   |
| 24       | 92990-05600-00  | .WASHER, PLATE         | 3        |                                   |
| 25       | 6J8-14523-00-00 | .SCREW, STOP           | 1        | 1                                 |
| 26       | 6J8-14334-00-00 | .SPRING, THROTTLE      | 1        | 1                                 |
| 27       | 6J8-14981-00-00 | .BODY, FLOAT CHAMBER   | 1        | 2                                 |
| 28       | 6J8-24471-00-00 | .DIAPHRAGM             | 1        | 2                                 |
| 29       | 6J8-24415-00-00 | .BODY 4                | 1        | 2                                 |
| 30       | 6J8-24432-00-00 | .GASKET, FUEL PUMP 2   | 1        | 2                                 |
| 31       | 6J8-24452-00-00 | .COVER                 | 1        | 2                                 |
| 32       | 97980-03122-00  | .SCREW, WITH WASHER    | 1        | 2                                 |
| 33       | 97980-04124-00  | .SCREW, WITH WASHER    | 4        | 2                                 |
| 34       | 6J8-14578-00-00 | .COLLAR                | 1        | 2                                 |
| 35       | 6J8-1492A-00-00 | .NOZZLE, MAIN          | 3        |                                   |

## Dealer Information

|                     |               |
|---------------------|---------------|
| <b>Dealer Name:</b> | <b>Phone:</b> |
|---------------------|---------------|

©2014 Yamaha Motor Corporation, U.S.A. All rights reserved.