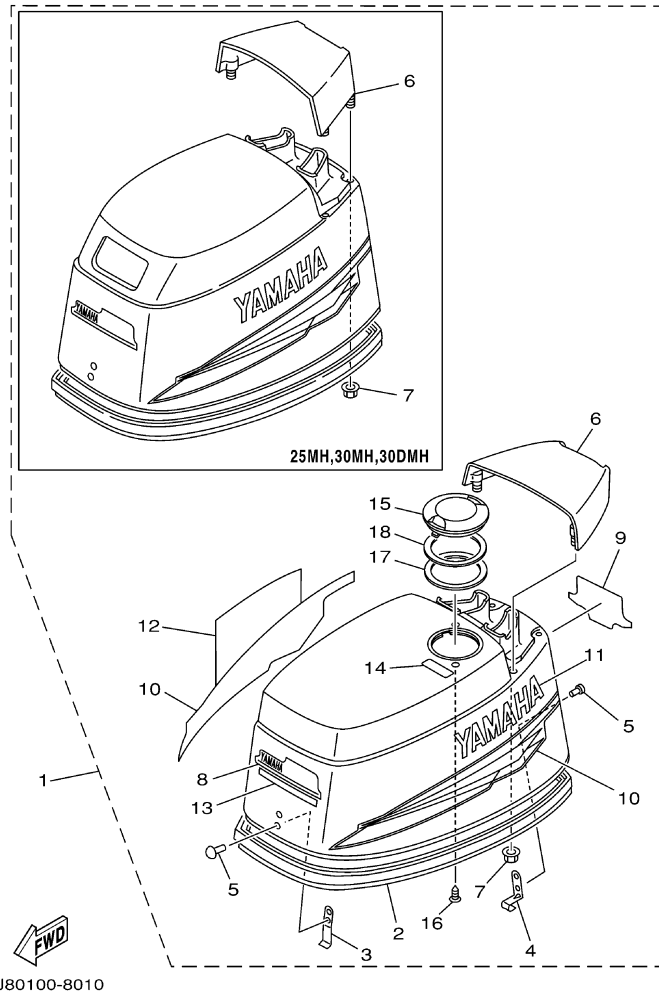


30MLHZ 2001 / TOP COWLING



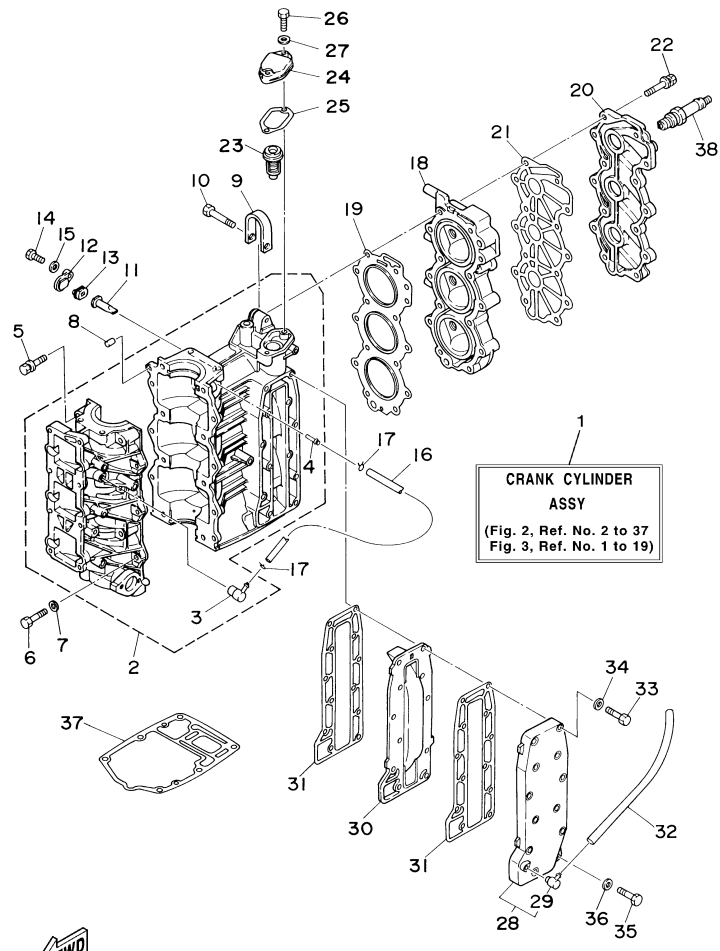
©2014 Yamaha Motor Corporation, U.S.A. All rights reserved.

Part List

30MLHZ 2001 / TOP COWLING

REF - NO	PART NUMBER	PART NAME	QUANTITY	REMARKS
1	6J8-42610-43-4D	TOP COWLING ASSY	1	UR 30ER/EH (E)
1	6K9-42610-11-4D	TOP COWLING ASSY	1	UR 25MH NON OIL INJECTION MOD (M)
1	6J8-42610-24-4D	TOP COWLING ASSY	1	UR 30MH (M)
2	6J8-42615-00-00	.SEAL	1	
3	6J8-42651-03-00	.HOOK	1	
4	6J8-42652-00-00	.HOOK	1	
5	90266-04M00-00	.RIVET	4	
6	6J8-42613-00-4D	.MOLDING, AIR DUCT	1	UR MH (M)
6	6J8-42613-10-4D	.MOLDING, AIR DUCT	1	UR ER/EH (E)
7	90179-06M24-00	.NUT	4	
8	6J8-42677-10-00	.GRAPHIC, FRONT	1	UR 30
9	6J8-42678-10-00	.GRAPHIC, REAR	1	UR 30
10	6J8-W0070-14-00	.GRAPHIC SET	1	
11	6J8-42681-11-00	.MARK, COWLING	1	
12	6J8-42682-12-00	.MARK, COWLING	1	
13	6J8-42683-20-00	.MARK, COWLING	1	30
14	6J8-13436-40-00	.MARK	1	ER/EH (E)
15	6J8-2177H-00-00	.DISK CAP 2	1	ER/EH (E)
16	90161-03M01-00	.SCREW, TAPPING	2	ER/EH (E)
17	6J8-21732-00-00	.SEAL 1	1	ER/EH (E)
18	6J8-21735-00-00	.SEAL 2	1	ER/EH (E)

30MLHZ 2001 / CYLINDER CRANKCASE



**CRANK CYLINDER
ASSY**
(Fig. 2, Ref. No. 2 to 37
Fig. 3, Ref. No. 1 to 19)



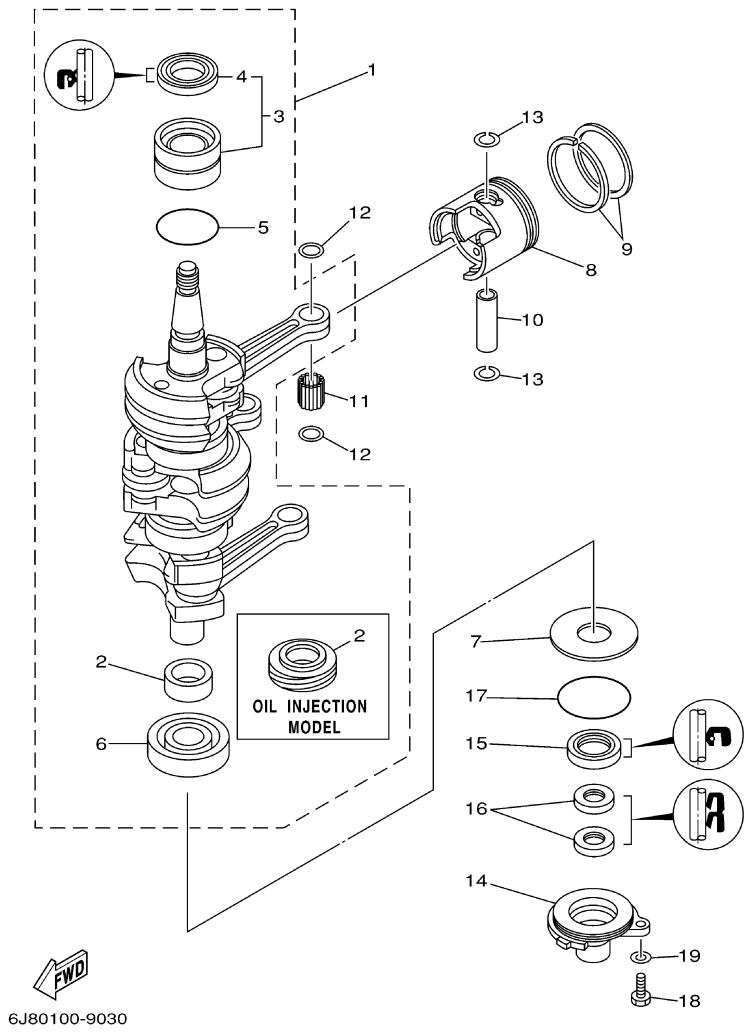
6J80100-4020

Part List

30MLHZ 2001 / CYLINDER CRANKCASE

REF - NO	PART NUMBER	PART NAME	QUANTITY	REMARKS
1	6J8-W0090-05-4D	CRANK CYLINDER ASSY	1	UR NON OIL INJECTION MODEL (M)
1	6J8-W0090-42-4D	CRANK CYLINDER ASSY	1	UR
2	6J8-15100-01-94	CRANKCASE ASSY	1	UR NON OIL INJECTION MODEL (M)
2	6J8-15100-11-94	CRANKCASE ASSY	1	UR
3	650-11370-00-00	.CHECK VALVE ASSY	1	
4	624-14485-00-00	.PIPE, JOINT	1	
5	90119-08M19-00	BOLT, WITH WASHER	8	
6	97013-06030-00	BOLT	6	
7	92903-06600-00	WASHER, PLATE	6	
8	93606-12019-00	.PIN, DOWEL	2	
9	6F5-11119-00-00	HANGER, ENGINE	1	
10	97013-08035-00	BOLT	1	
11	6J8-11325-00-00	ANODE	2	
12	6H3-11327-00-94	COVER, ANODE	2	
13	6H3-11328-00-00	GROMMET, ANODE	2	
14	97013-06016-00	BOLT	2	
15	92903-06600-00	WASHER, PLATE	2	
16	90445-07M29-00	HOSE (L135)	1	
17	90467-06016-00	CLIP	2	
18	6J8-11111-00-94	HEAD, CYLINDER 1	1	
19	6J8-11181-A1-00	.GASKET, CYLINDER HEAD 1	1	
20	6J8-11191-00-9M	COVER, CYLINDER HEAD 1	1	
21	6J8-11193-A1-00	.GASKET, HEAD COVER 1	1	
22	90119-08M21-00	BOLT, WITH WASHER	14	UR 30
23	688-12411-10-00	THERMOSTAT	1	
24	6H4-12413-00-9M	COVER, THERMOSTAT	1	
25	6J8-12414-A0-00	GASKET, COVER	1	
26	97013-06025-00	BOLT	2	
27	92903-06600-00	WASHER, PLATE	2	
28	6J8-41113-00-9M	OUTER COVER, EXHAUST	1	
29	676-11372-00-00	.NIPPLE, HOSE	1	
30	6J8-41111-00-9M	INNER COVER, EXHAUST	1	
31	6J8-41114-A0-00	.GASKET, EXHAUST OUTER COVER	2	
32	6J8-1111J-00-00	PIPE 1	1	
33	97013-06035-00	BOLT	11	
34	92903-06600-00	WASHER, PLATE	11	
35	97013-06025-00	BOLT	1	
36	92903-06600-00	WASHER, PLATE	1	
37	6J8-45113-A0-00	.GASKET, UPPER CASING	1	
38	NGK-B7HS1-00-00	PLUG, SPARK (NGK B7HS- 10)	3	

30MLHZ 2001 / CRANKSHAFT PISTON



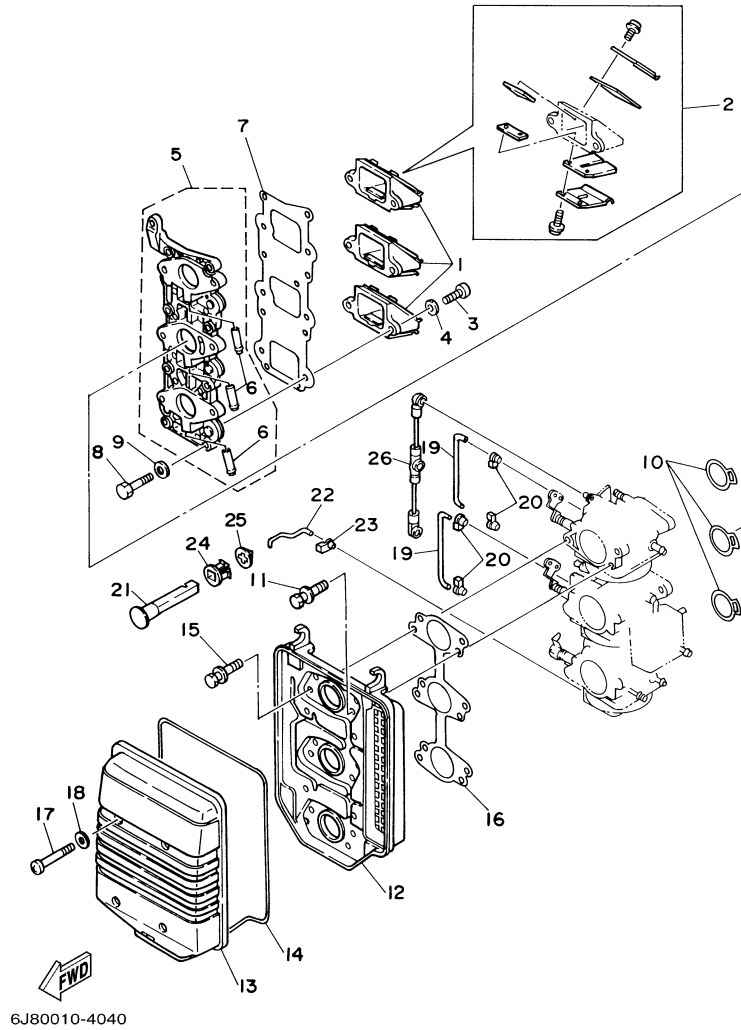
©2014 Yamaha Motor Corporation, U.S.A. All rights reserved.

Part List

30MLHZ 2001 / CRANKSHAFT PISTON

REF - NO	PART NUMBER	PART NAME	QUANTITY	REMARKS
1	6J8-11400-01-00	CRANKSHAFT ASSY	1	UR NON OIL INJECTION MODEL (M)
1	6J8-11400-11-00	CRANKSHAFT ASSY	1	UR
2	6J8-11445-00-00	.SPACER	1	UR NON OIL INJECTION MODEL (M)
2	6J8-11536-00-00	.GEAR, DRIVE	1	UR
3	93311-632U7-00	.BEARING	1	
4	93102-26M27-00	..OIL SEAL	1	
5	93210-42159-00	.O-RING	1	
6	93306-305U3-00	.BEARING	1	
7	90201-50306-00	WASHER, PLATE	1	
8	6J8-11631-02-97	PISTON (STD)	3	
8	6J8-11635-02-00	PISTON (0.25MM O/S)	3	AP
8	6J8-11636-02-00	PISTON (0.50MM O.S.)	3	AP
9	6J8-11601-01-00	PISTON RING SET (STD)	3	
9	6J8-11601-11-00	PISTON RING SET (0.25MM O/S)	3	AP
9	6J8-11601-21-00	PISTON RING SET (0.50MM O.S.)	3	AP
10	6J8-11633-00-00	PIN, PISTON	3	
11	93602-16M10-00	PIN, DOWEL	84	
12	90201-16379-00	WASHER, PLATE	6	
13	93450-17129-00	CIRCLIP	6	
14	6J8-15396-00-5B	HOUSING, OIL SEAL	1	
15	93101-25M28-00	.OIL SEAL	1	
16	93104-16M04-00	.OIL SEAL	2	
17	93210-56M80-00	.O-RING	1	
18	97013-06016-00	BOLT	2	
19	92903-06600-00	WASHER, PLATE	2	

30MLHZ 2001 / INTAKE



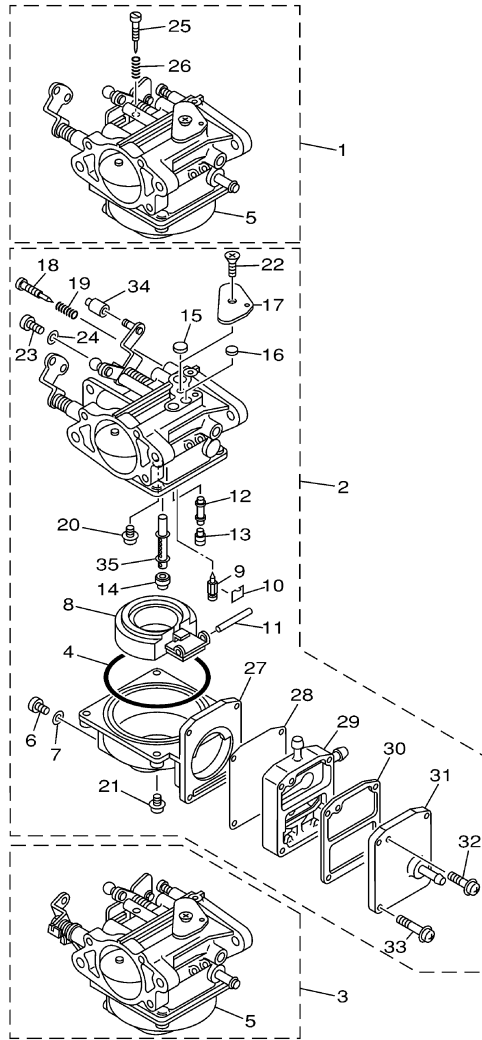
©2014 Yamaha Motor Corporation, U.S.A. All rights reserved.

Part List

30MLHZ 2001 / INTAKE

REF - NO	PART NUMBER	PART NAME	QUANTITY	REMARKS
1	6J8-13610-00-00	REED VALVE ASSY	3	
2	6J8-W0004-00-00	.REED SET	1	
3	97880-05016-00	SCREW, PAN HEAD	6	
4	92990-05600-00	WASHER, PLATE	6	
5	6J8-13641-00-94	MANIFOLD 1	1	UR NON OIL INJECTION MODEL (M)
5	6J8-13641-10-94	MANIFOLD 1	1	UR
6	676-14485-00-00	.PIPE, JOINT	3	
7	6J8-13621-00-00	.GASKET, VALVE SEAT	1	
8	97013-06025-00	BOLT	8	
9	92903-06600-00	WASHER, PLATE	8	
10	6J8-14198-00-00	.GASKET	3	
11	90119-06M32-00	BOLT, WITH WASHER	6	
12	6J8-14417-00-00	COVER 1	1	
13	6J8-14418-00-00	COVER 2	1	
14	6J8-14476-00-00	SEAL	1	
15	90119-05M31-00	BOLT, WITH WASHER	6	
16	6J8-14483-A1-00	GASKET	1	
17	97880-05040-00	SCREW, PAN HEAD	4	
18	92990-05600-00	WASHER, PLATE	4	
19	6J8-41259-00-00	ROD, CHOKE 3	2	
20	661-41262-02-00	JOINT, CHOKE LEVER	4	
21	6J8-41271-01-00	KNOB, CHOKE	1	
22	6J8-41257-00-00	ROD, CHOKE 2	1	
23	6J8-41262-00-00	JOINT, CHOKE LEVER	1	
24	689-41273-00-00	GROMMET	1	
25	6J8-41274-00-00	GROMMET 2	1	
26	6J8-41217-00-00	ROD, ACCEL. LEVER	1	

30MLHZ 2001 / CARBURETOR



6J80010-9050

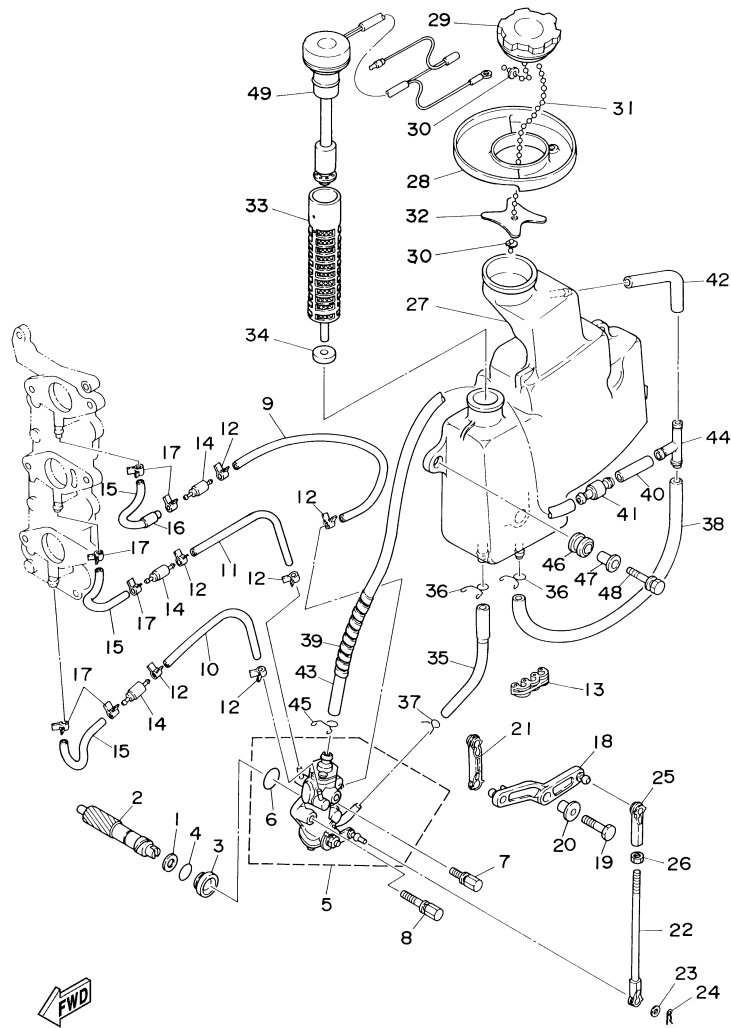
©2014 Yamaha Motor Corporation, U.S.A. All rights reserved.

Part List

30MLHZ 2001 / CARBURETOR

REF - NO	PART NUMBER	PART NAME	QUANTITY	REMARKS
1	6K9-14301-01-00	CARBURETOR ASSY 1	1	UR 25,NON OIL INJECTION MODEL (M)
1	6J8-14301-11-00	CARBURETOR ASSY 1	1	UR 30
2	6J8-14302-01-00	CARBURETOR ASSY 2	1	UR 30
3	6J8-14303-01-00	CARBURETOR ASSY 3	1	UR 30
4	6J8-14984-00-00	.GASKET, FLOAT CHAMBER	3	
5	6J8-14980-00-00	.BODY, FLOAT CHAMBER	2	2,3
6	6J8-14991-00-00	.SCREW	3	
7	6J8-14995-00-00	.GASKET	3	
8	6J8-14985-00-00	.FLOAT	3	
9	6J8-14546-00-00	.VALVE, NEEDLE	3	
10	6J8-14159-00-00	.CLIP	3	
11	6J8-14548-00-00	.PIN, FLOAT ARM	3	
12	6J8-1492F-25-00	.JET, AIR SLOW (#50)	3	UR 30
13	6J8-14966-00-00	.PLUG	3	
14	6J8-1492E-51-00	.JET, MAIN (#102)	3	UR 30
15	6J8-14126-00-00	.PLUG	3	
16	6J8-14118-00-00	.PLUG	3	
17	6J8-14527-01-00	.PLATE	3	
18	6J8-14923-00-00	.SCREW, PILOT	3	
19	6J8-14555-00-00	.SPRING	3	
20	97980-04110-00	.SCREW, WITH WASHER	3	
21	97980-04112-00	.SCREW, WITH WASHER	12	
22	98780-05008-00	.SCREW, FLAT HEAD	3	
23	6J8-14592-01-00	.SCREW	3	
24	92990-05600-00	.WASHER, PLATE	3	
25	6J8-14523-00-00	.SCREW, STOP	1	1
26	6J8-14334-00-00	.SPRING, THROTTLE	1	1
27	6J8-14981-00-00	.BODY, FLOAT CHAMBER	1	2
28	6J8-24471-00-00	.DIAPHRAGM	1	2
29	6J8-24415-00-00	.BODY 4	1	2
30	6J8-24432-00-00	.GASKET, FUEL PUMP 2	1	2
31	6J8-24452-00-00	.COVER	1	2
32	97980-03122-00	.SCREW, WITH WASHER	1	2
33	97980-04124-00	.SCREW, WITH WASHER	4	2
34	6J8-14578-00-00	.COLLAR	1	2
35	6J8-1492A-00-00	.NOZZLE, MAIN	3	

30MLHZ 2001 / OIL PUMP EXCEPT 25MH



6J80010-4060

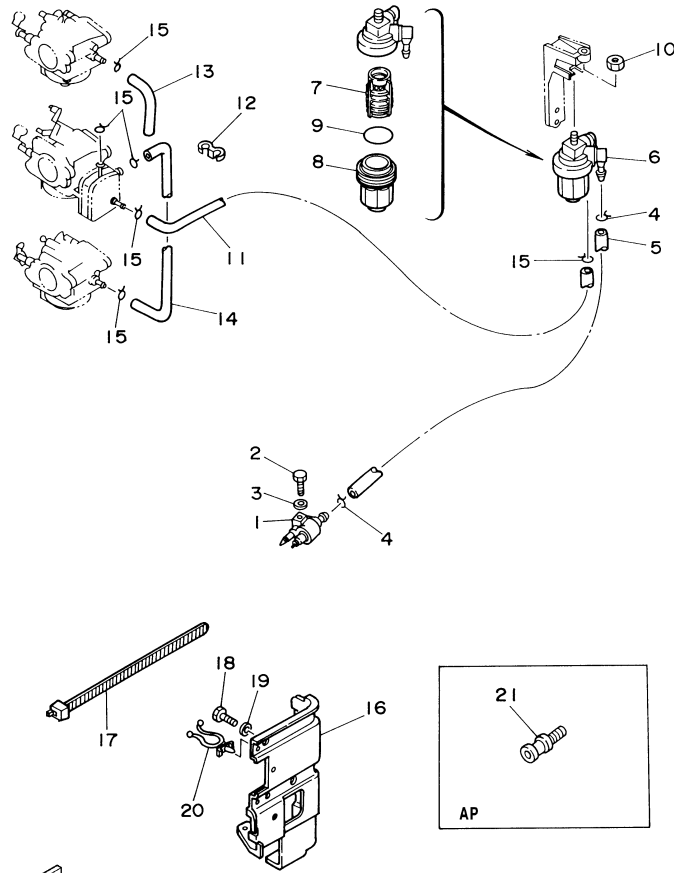
©2014 Yamaha Motor Corporation, U.S.A. All rights reserved.

Part List

30MLHZ 2001 / OIL PUMP EXCEPT 25MH

REF - NO	PART NUMBER	PART NAME	QUANTITY	REMARKS
1	90201-08M93-00	WASHER, PLATE	1	
2	6J8-11537-00-00	GEAR, DRIVEN	1	
3	6J8-13117-00-00	COLLAR, DISTANCE	1	
4	93210-13M04-00	O-RING	1	
5	6J8-13200-01-00	OIL INJECTION PUMP ASSY	1	
6	93210-19M82-00	.O-RING	1	
7	90109-05M32-00	BOLT	1	
8	90109-05M33-00	BOLT	1	
9	90445-07M08-00	HOSE (L220)	1	
10	90445-07M32-00	HOSE (L120)	1	
11	90445-07M32-00	HOSE (L120)	1	
12	90468-07M02-00	CLIP	6	
13	90464-07M05-00	CLAMP	1	
14	6E9-13183-70-00	VALVE, CHECK	3	
15	90445-07M04-00	HOSE (L50)	3	
16	90445-11M08-00	HOSE (L10)	1	
17	90468-07M02-00	CLIP	6	
18	6J8-13155-00-00	LEVER, CONTROL	1	
19	97095-06025-00	BOLT	1	
20	90387-06M60-00	COLLAR	1	
21	6J8-41238-00-00	JOINT, LINK	1	
22	6J8-41237-00-00	JOINT, LINK	1	
23	90202-05088-00	WASHER, PLATE	1	
24	90468-05M03-00	CLIP	1	
25	682-41237-00-00	JOINT, LINK	1	
26	95380-05700-00	NUT	1	
27	6J8-21707-11-00	OIL TANK COMP.	1	UR MH (M)
27	6J8-21707-01-00	OIL TANK COMP.	1	UR ER/EH (E)
28	6J8-2173M-00-00	SEAL 3	1	ER/EH (E)
29	6H4-21770-00-00	OIL TANK CAP ASSY	1	
30	6H1-21757-00-00	WASHER, SPECIAL 1	2	
31	6H1-24633-00-00	CHAIN, BALL	1	
32	6J8-21758-00-00	WASHER, SPECIAL 2	1	
33	6J8-13411-00-00	STRAINER, OIL	1	
34	6J8-13414-00-00	GASKET, STRAINER COVER	1	
35	6J8-13416-00-00	PIPE, OIL 1	1	
36	90467-11M08-00	CLIP	2	
37	90467-08004-00	CLIP	1	
38	90445-11M03-00	HOSE (L330)	1	
39	90446-10M01-00	HOSE (L60)	1	
40	90445-11M07-00	HOSE (L30)	1	
41	6J8-21744-00-00	BREATHER	1	
42	90445-11M02-00	HOSE (L100)	1	
43	90445-11M04-00	HOSE (L400)	1	
44	6E5-24378-00-00	PIPE, JOINT 3	1	
45	90467-10M04-00	CLIP	1	
46	6A0-82317-00-00	DAMPER, IGNITION COIL	3	
47	624-42542-00-00	PIPE	3	
48	90119-06M65-00	BOLT, WITH WASHER	3	
49	6J8-85720-01-00	OIL LEVEL GAUGE ASSY	1	

30MLHZ 2001 / FUEL



6J80100-4070

©2014 Yamaha Motor Corporation, U.S.A. All rights reserved.

Part List

30MLHZ 2001 / FUEL

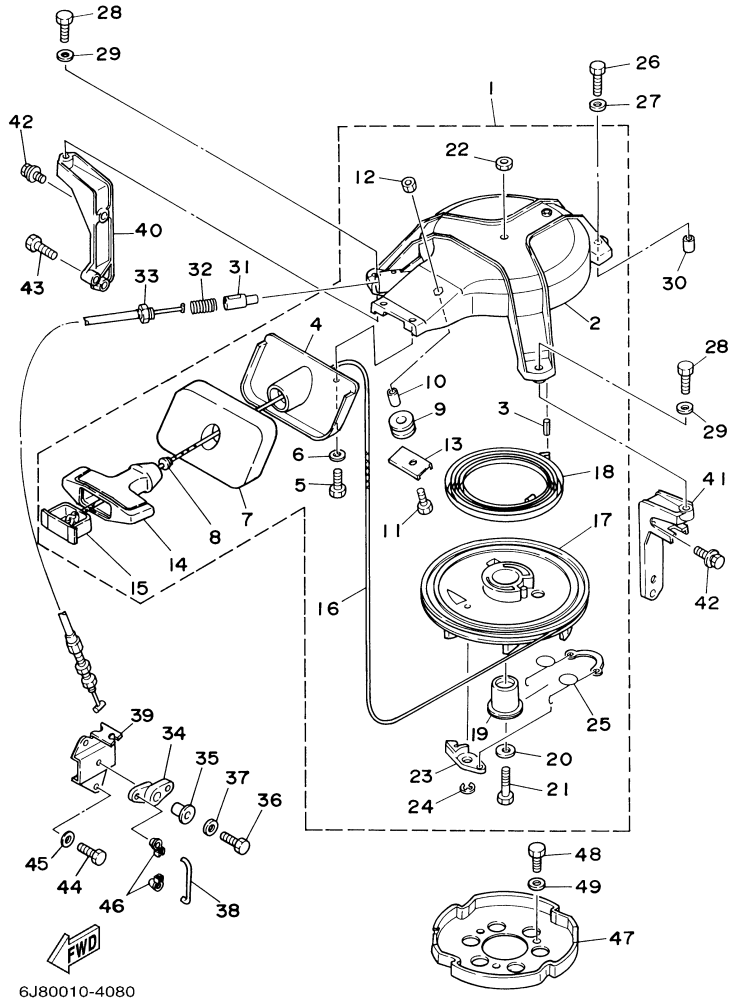
REF - NO	PART NUMBER	PART NAME	QUANTITY	REMARKS
1	6G1-24304-02-00	FUEL PIPE JOINT COMP. 1	1	
2	97095-06025-00	BOLT	1	
3	92995-06600-00	WASHER	1	
4	90467-08004-00	CLIP	2	
5	90445-09M00-00	HOSE (L180)	1	
6	61N-24560-00-00	FILTER ASSY	1	
7	61N-24563-00-00	.ELEMENT, FILTER	1	
8	61N-24521-00-00	.CUP, FILTER	1	
9	93210-32738-00	.O-RING	1	
10	90179-08M15-00	NUT	1	
11	6E5-24312-00-00	PIPE 2	1	
12	90464-09M21-00	CLAMP	1	
13	688-24313-00-00	PIPE 3	1	
14	6J8-24311-00-00	PIPE, FUEL 1	1	
15	90467-08004-00	CLIP	6	
16	6J8-28170-00-00	TOOL, HOLDER	1	MH (M)
17	6G1-2811G-00-00	BAND	1	MH (M)
18	97095-08016-00	BOLT	2	MH (M)
19	92995-08600-00	WASHER	2	MH (M)
20	90464-12M17-00	CLAMP	6	MH (M)
21	6E0-28193-00-94	PLUG, WATER CHECK	1	AP D:12.5MM

Part List

30MLHZ 2001 / FUEL 2

REF - NO	PART NUMBER	PART NAME	QUANTITY	REMARKS
1	6Y1-24306-53-00	FUEL PIPE COMP. 1	1	AP
2	90445-11M06-00	.HOSE (L2050)	1	
3	6Y1-24360-52-00	.PRIMER PUMP ASSY	1	
4	90445-11M05-00	.HOSE (L850)	1	
5	650-24351-51-00	.BAND 1	4	
6	6G1-24305-03-00	.FUEL PIPE JOINT COMP 2	1	
7	93210-08287-00	..O-RING	1	
8	6Y1-24305-04-00	.FUEL PIPE JOINT COMP 2	1	
9	93210-08287-00	..O-RING	1	

30MLHZ 2001 / STARTER



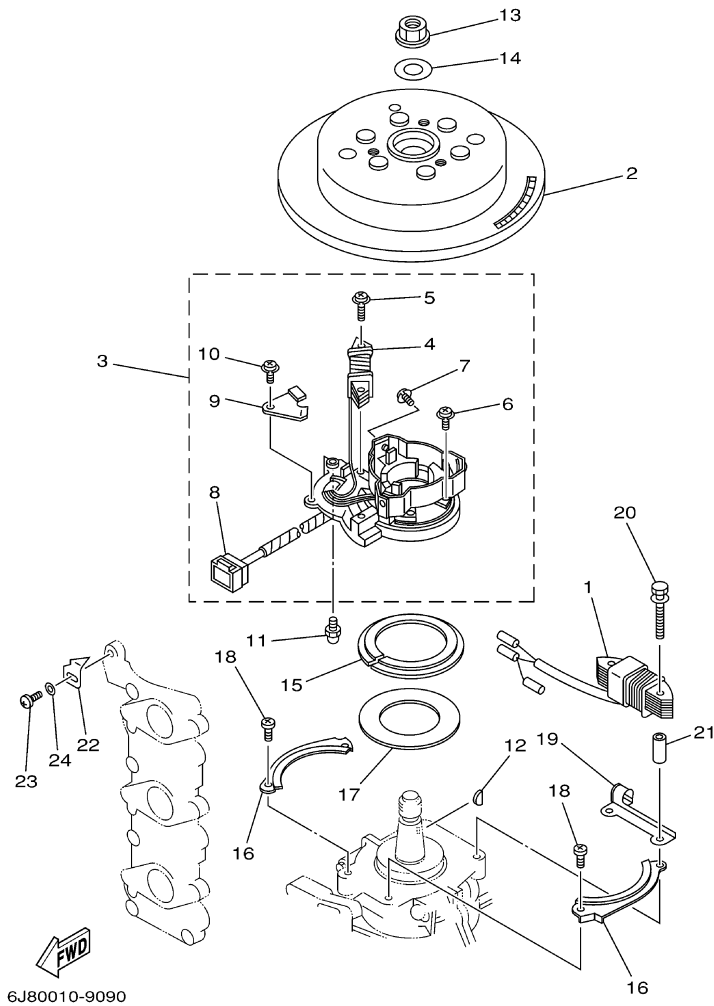
©2014 Yamaha Motor Corporation, U.S.A. All rights reserved.

Part List

30MLHZ 2001 / STARTER

REF - NO	PART NUMBER	PART NAME	QUANTITY	REMARKS
1	6J8-15710-02-4D	STARTER ASSY	1	MH (M)
2	6J8-15711-00-94	.CASE, STARTER	1	(M)
3	91690-40014-00	.PIN, SPRING	1	(M)
4	6J8-15758-01-94	.GUIDE, ROPE	1	(M)
5	97095-06016-00	.BOLT	2	(M)
6	92995-06600-00	.WASHER	2	(M)
7	6J8-15762-00-00	.SEAL, RUBBER 2	1	(M)
8	6A0-15789-00-00	.DAMPER	1	(M)
9	6F5-15752-00-00	.ROLLER, WIRE	1	(M)
10	6F5-15753-00-00	.BUSH	1	(M)
11	97095-06025-00	.BOLT	1	(M)
12	95380-06600-00	.NUT, HEXAGON	1	(M)
13	6J8-15787-00-00	.ADAPTOR	1	(M)
14	689-15755-01-00	.HANDLE, STARTER	1	(M)
15	6F5-15779-02-00	.COVER	1	(M)
16	90580-50M01-00	.ROPE, STARTER	1	(M)
17	6J8-15714-00-00	.DRUM, SHEAVE	1	(M)
18	90510-08M04-00	.SPRING, SPIRAL	1	(M)
19	677-15717-01-00	.SHAFT, STARTER	1	(M)
20	90201-06060-00	.WASHER, PLATE	1	(M)
21	97095-06025-00	.BOLT	1	(M)
22	95380-06700-00	.NUT	1	(M)
23	676-15741-03-00	.PAWL, DRIVE	1	(M)
24	93430-06M02-00	.CIRCLIP	1	(M)
25	6J8-15705-00-00	.SPRING, DRIVE PAWL	1	(M)
26	97095-06035-00	BOLT	1	MH (M)
27	92995-06600-00	WASHER	1	MH (M)
28	97095-06025-00	BOLT	2	MH (M)
29	92995-06600-00	WASHER	2	MH (M)
30	99530-10014-00	PIN, DOWEL	1	MH (M)
31	656-15748-00-00	PLUNGER, STARTER STOP	1	MH (M)
32	90501-10227-00	SPRING, COMPRESSION	1	MH (M)
33	6J8-15770-00-00	CABLE COMP., STARTER STOP	1	MH (M)
34	6J8-15746-01-00	ARM	1	MH (M)
35	90387-06M29-00	COLLAR	1	MH (M)
36	97095-06025-00	BOLT	1	MH (M)
37	92995-06600-00	WASHER	1	MH (M)
38	6J8-15747-00-00	LINK	1	MH (M)
39	6J8-15774-00-00	STAY 4	1	MH (M)
40	6J8-15771-00-94	STAY 1	1	
41	6J8-15772-00-94	STAY 2	1	
42	97513-06520-00	BOLT, WITH WASHER	3	
43	97013-06020-00	BOLT	1	
44	97095-06016-00	BOLT	2	MH (M)
45	92995-06600-00	WASHER	2	MH (M)
46	661-41262-02-00	JOINT, CHOKE LEVER	2	MH (M)
47	6J8-15723-00-00	PULLEY, STARTER	1	MH (M)
48	97013-08014-00	BOLT	3	MH (M)
49	92903-08600-00	WASHER, PLATE	3	MH (M)

30MLHZ 2001 / GENERATOR



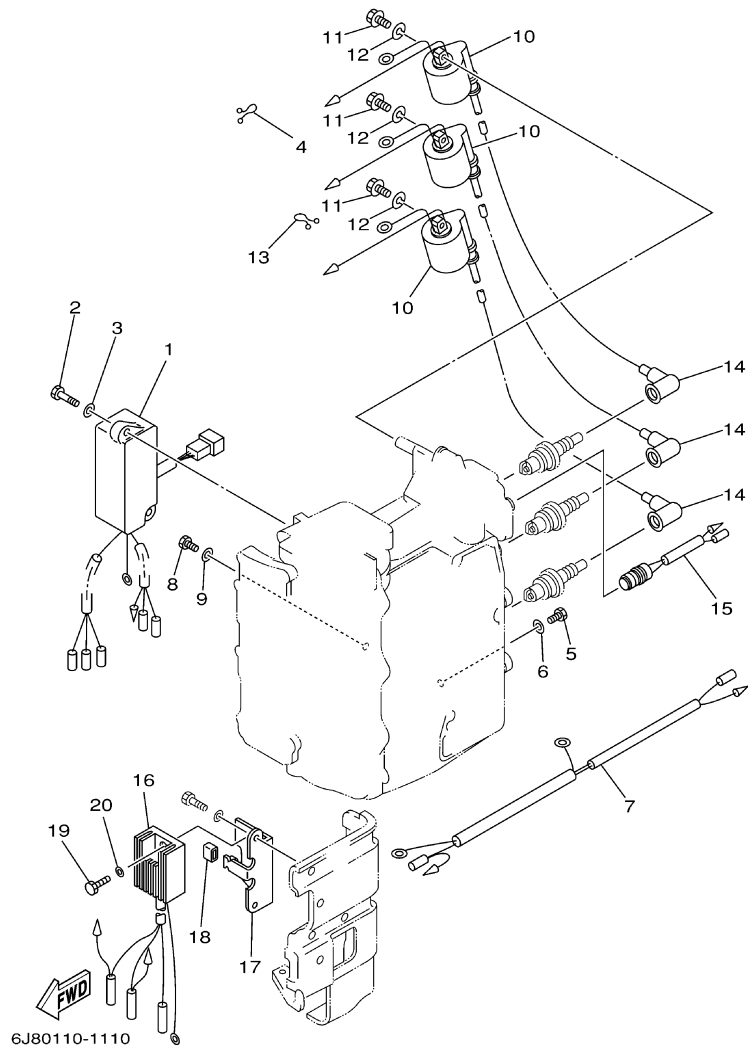
©2014 Yamaha Motor Corporation, U.S.A. All rights reserved.

Part List

30MLHZ 2001 / GENERATOR

REF - NO	PART NUMBER	PART NAME	QUANTITY	REMARKS
1	6H4-85533-A1-00	COIL, LIGHTING	1	
2	6J8-85550-F1-00	ROTOR ASSY	1	UR MH (M)
2	6J8-85550-A1-00	ROTOR ASSY	1	UR ER/EH (E)
3	6J8-85510-A1-00	STATOR ASSY	1	UR ER/EH (E)
3	6H4-85510-F1-00	STATOR ASSY	1	UR MH (M)
4	6J8-85520-01-00	.COIL, CHARGE	1	UR ER/EH (E)
4	6H4-85520-01-00	.COIL, CHARGE	1	UR MH (M)
5	97902-06120-00	.SCREW, WITH WASHER	2	
6	97902-04112-00	.SCREW, WITH WASHER	6	
7	97902-04106-00	.SCREW, WITH WASHER	3	
8	9E471-09205-00	.CONNECTOR (6P,M)	1	
9	6H4-85548-00-00	.HOLDER	1	
10	97902-05408-00	.SCREW, WITH WASHER	1	
11	663-85518-00-00	JOINT, BALL	1	
12	90280-05013-00	KEY, WOODRUFF	1	
13	90179-16M05-00	NUT	1	
14	90201-16M44-00	WASHER, PLATE	1	
15	6H4-41611-10-00	RETAINER, MAGNETO BASE	1	
16	6J8-41615-00-00	STOPPER, MAGNETO BASE	2	
17	6J8-41618-00-00	WASHER, MAGNETO	1	
18	97880-06012-00	SCREW, PAN HEAD	2	
19	6J8-85548-00-00	HOLDER	1	
20	90101-06M00-00	BOLT	2	
21	90387-06M81-00	COLLAR	2	
22	6J8-81332-00-00	PLATE, TIMING	1	
23	97885-05010-00	.SCREW, PAN HEAD	1	
24	92995-05600-00	WASHER	1	

30MLHZ 2001 / ELECTRICAL 1



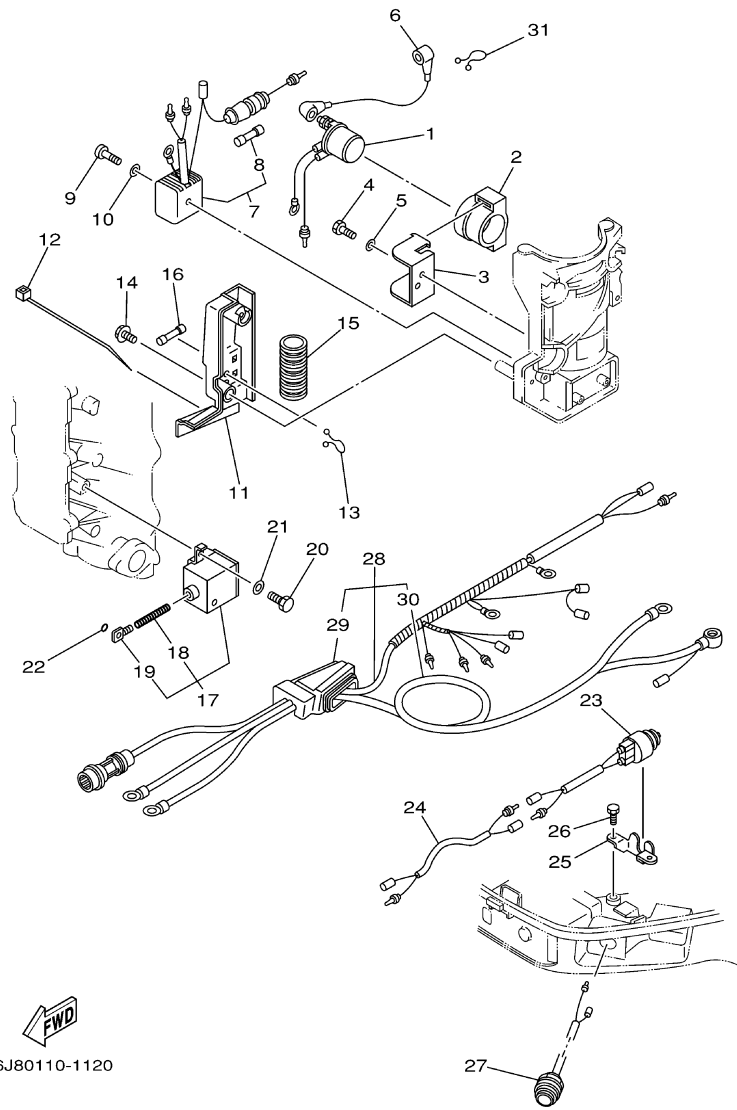
©2014 Yamaha Motor Corporation, U.S.A. All rights reserved.

Part List

30MLHZ 2001 / ELECTRICAL 1

REF - NO	PART NUMBER	PART NAME	QUANTITY	REMARKS
1	6J8-85540-H2-00	C.D.I. UNIT ASSY	1	
2	97095-06025-00	BOLT	2	
3	92995-06600-00	WASHER	2	
4	90464-15M11-00	CLAMP	1	MH (M)
5	97095-06012-00	BOLT	1	
6	92995-06600-00	WASHER	1	
7	6J8-82531-00-00	WIRE, LEAD	1	
8	97095-06012-00	BOLT	1	
9	92995-06600-00	WASHER	1	
10	6J8-85570-21-00	IGNITION COIL ASSY	3	
11	97095-06020-00	BOLT	6	
12	92995-06100-00	WASHER, SPRING	6	
13	90464-05M16-00	CLAMP	1	ER/EH (E)
14	663-82370-01-00	PLUG CAP ASSY	3	
15	689-82560-00-00	THERMO SWITCH ASSEMBLY	1	
16	6J8-81960-00-00	RECTIFIER & REGULATOR ASSY	1	MH (M)
17	6J8-81975-00-00	PLATE, RECTIFIER FITTING	1	MH (M)
18	689-44194-00-00	CAP	1	MH (M)
19	97095-06012-00	BOLT	1	MH (M)
20	92995-06600-00	WASHER	1	MH (M)

30MLHZ 2001 / ELECTRICAL 2



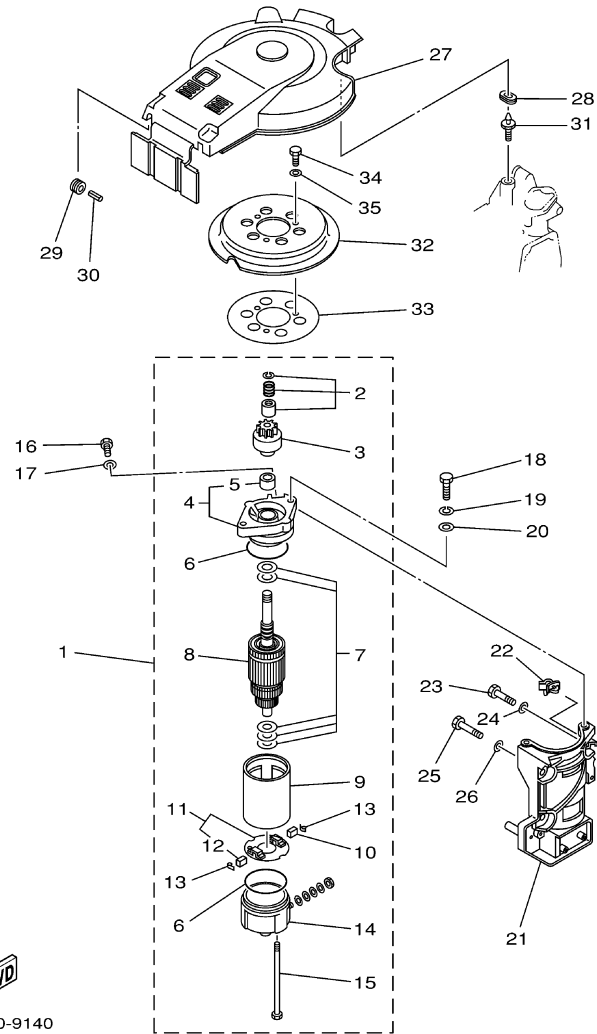
©2014 Yamaha Motor Corporation, U.S.A. All rights reserved.

Part List

30MLHZ 2001 / ELECTRICAL 2

REF - NO	PART NUMBER	PART NAME	QUANTITY	REMARKS
1	6G1-81941-10-00	STARTER RELAY ASSY	1	ER/EH (E)
2	6G1-81952-00-00	HOLDER, RELAY	1	ER/EH (E)
3	6J8-81945-00-00	PLATE, SWITCH FITTING	1	ER/EH (E)
4	97013-06016-00	BOLT	1	ER/EH (E)
5	92903-06600-00	WASHER, PLATE	1	ER/EH (E)
6	6F5-82117-00-00	WIRE, LEAD	1	ER/EH (E)
7	6G1-81970-61-00	RECTIFIER ASSY	1	ER/EH (E)
8	6G1-82151-00-00	.FUSE (10A)	1	ER/EH (E)
9	97880-05025-00	SCREW, PAN HEAD	1	ER/EH (E)
10	92990-05600-00	WASHER, PLATE	1	ER/EH (E)
11	6J8-81916-10-00	COVER, TERMINAL	1	ER/EH (E)
12	90465-13M18-00	CLAMP	1	ER/EH (E)
13	90465-18147-00	CLAMP	1	ER/EH (E)
14	90159-05M26-00	SCREW, WITH WASHER	2	ER/EH (E)
15	6E9-83557-70-00	TUBE	1	ER/EH (E)
16	6H3-82151-00-00	FUSE	1	ER/EH (E)
17	6J8-86110-00-00	SOLENOID	1	ER (E)
18	6J8-86116-00-00	.WIRE PULL	1	ER (E)
19	682-86117-00-00	.HOOK, WIRE PULL	1	ER (E)
20	97013-06016-00	BOLT	2	ER (E)
21	92903-06600-00	WASHER, PLATE	2	ER (E)
22	93210-03261-00	O-RING	1	ER (E)
23	6H3-82540-00-00	NEUTRAL SWITCH ASSY	1	EH (E)
24	6H4-82553-00-00	EXTENSION, WIRE LEAD	1	EH (E)
25	6J8-82554-00-00	STAY, NEUTRAL SWITCH	1	EH (E)
26	97013-06012-00	BOLT	2	EH (E)
27	689-81870-00-00	STARTING SWITCH ASSY	1	EH (E)
28	6J8-82105-00-00	BATTERY CABLE	1	UR EH (E)
28	6J8-82580-00-00	WIRE HARNESS ASSY 2	1	UR ER (E)
29	6J8-42724-40-00	.GROMMET	1	UR EH (E)
29	6J8-42724-50-00	.GROMMET	1	UR ER (E)
30	689-82105-13-00	.BATTERY CABLE	1	(E)
31	90464-15M11-00	CLAMP	1	(E)

30MLHZ 2001 / STARTING MOTOR FOR ER EH



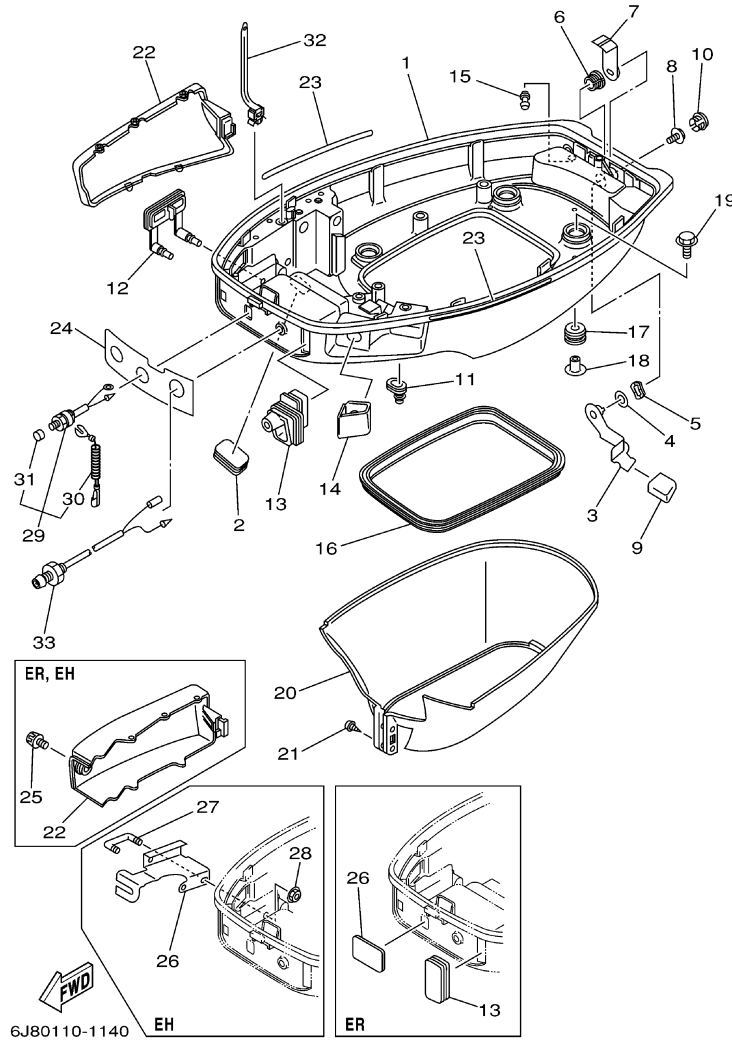

6J80010-9140

Part List

30MLHZ 2001 / STARTING MOTOR FOR ER EH

REF - NO	PART NUMBER	PART NAME	QUANTITY	REMARKS
1	6F5-81800-11-00	STARTING MOTOR ASSY	1	(E)
2	689-81857-11-00	.PINION STOPPER SET	1	(E)
3	689-81807-12-00	.GEAR ASSY, STARTING MOTOR	1	(E)
4	6F5-81830-11-00	.FRONT BRACKET ASSY	1	(E)
5	689-81831-00-00	..METAL, FRONT	1	(E)
6	689-81847-11-00	.O-RING	2	(E)
7	689-81809-11-00	.WASHER KIT	1	(E)
8	689-81850-12-00	.ARMATURE ASSY	1	(E)
9	689-81810-11-00	.STATOR ASSY	1	(E)
10	689-81811-11-00	.BRUSH 1	1	(E)
11	689-81840-11-00	.BRUSH HOLDER ASSY	1	(E)
12	689-81812-11-00	..BRUSH 2	1	(E)
13	689-81813-10-00	.SPRING, BRUSH	2	(E)
14	689-81820-11-00	.REAR BRACKET ASSY	1	(E)
15	689-81826-10-00	.BOLT	2	(E)
16	97013-08016-00	BOLT	1	(E)
17	92903-08600-00	WASHER, PLATE	1	(E)
18	97013-08030-00	BOLT	2	(E)
19	92903-08100-00	WASHER, SPRING	2	(E)
20	92903-08600-00	WASHER, PLATE	2	(E)
21	6J8-81822-01-94	BRACKET, STARTING MOTOR	1	(E)
22	90464-03M15-00	.CLAMP	1	(E)
23	97013-08035-00	BOLT	2	(E)
24	92903-08600-00	WASHER, PLATE	2	(E)
25	97013-08055-00	BOLT	1	(E)
26	92903-08600-00	WASHER, PLATE	1	(E)
27	6J8-81337-10-00	COVER, FLYWHEEL	1	(E)
28	90480-14M17-00	GROMMET	1	(E)
29	90480-10M16-00	.GROMMET	2	(E)
30	91690-50022-00	PIN, SPRING	2	(E)
31	6J8-81338-00-00	STAY	1	(E)
32	6J8-15723-E1-00	PULLEY, STARTER	1	(E)
33	6J8-81365-A0-00	GASKET, HOLE COVER	1	(E)
34	97013-08014-00	BOLT	3	(E)
35	92903-08600-00	WASHER, PLATE	3	(E)

30MLHZ 2001 / BOTTOM COWLING



©2014 Yamaha Motor Corporation, U.S.A. All rights reserved.


Part List

30MLHZ 2001 / BOTTOM COWLING

REF - NO	PART NUMBER	PART NAME	QUANTITY	REMARKS
1	6J8-42711-03-4D	COWLING, BOTTOM	1	
2	6H4-42726-00-00	GROMMET	1	
3	6J8-42815-00-4D	LEVER, CLAMP	1	
4	90202-12M25-00	WASHER, PLATE	1	
5	90206-12052-00	WASHER, WAVE	1	
6	90386-12M61-00	BUSH	1	
7	6J8-42816-00-00	LEVER, CLAMP	1	
8	95895-06012-00	BOLT, FLANGE	1	
9	6J8-42831-00-00	BUSHING	1	
10	6J8-42728-01-00	CAP	1	
11	6G1-42727-00-00	GROMMET	1	
12	6J8-42724-00-00	GROMMET	1	(M)
13	6J8-42726-10-00	GROMMET	1	UR ER (E)
13	6J8-42726-00-00	GROMMET	1	UR MH/EH
14	6J8-42725-01-00	GROMMET	1	MH/ER
15	6H3-44391-01-00	NIPPLE, HOSE	1	
16	6J8-42716-00-00	RUBBER, SEAL 1	1	
17	90480-09M21-00	GROMMET	4	
18	90387-06M41-00	COLLAR	4	
19	90119-06M61-00	BOLT, WITH WASHER	4	
20	6J8-42741-01-00	APRON	1	
21	90164-06M01-00	SCREW, TAPPING	2	
22	6J8-42723-51-00	.COVER, BOTTOM	1	UR ER/EH (E)
22	6J8-42723-01-00	COVER, BOTTOM	1	UR MH (M)
23	6J8-42735-00-00	PROTECTOR	2	
24	6J8-42719-10-00	PANEL, FRONT LOWER	1	UR NON OIL INJECTION MODEL (M)
24	6J8-42719-20-00	PANEL, FRONT LOWER	1	UR
25	6J8-42846-00-00	.SCREW	1	ER/EH (E)
26	6J8-48532-00-00	.BRACKET, REMOTE CONTROL 2	1	UR EH (E)
26	6J8-42726-20-00	GROMMET	1	UR ER (E)
27	90109-06M29-00	.BOLT	1	EH (E)
28	90179-06M24-00	NUT	2	EH (E)
29	689-82575-04-00	ENGINE STOP SWITCH ASSY	1	MH/EH
30	682-82556-00-00	.LANYARD, STOP SWITCH	1	
31	689-8257Y-00-00	.CAP	1	
32	90465-13M76-00	CLAMP	1	ER/EH (E)
33	6J8-85410-00-00	EMERGENCY SIGNAL LIGHT ASSY	1	

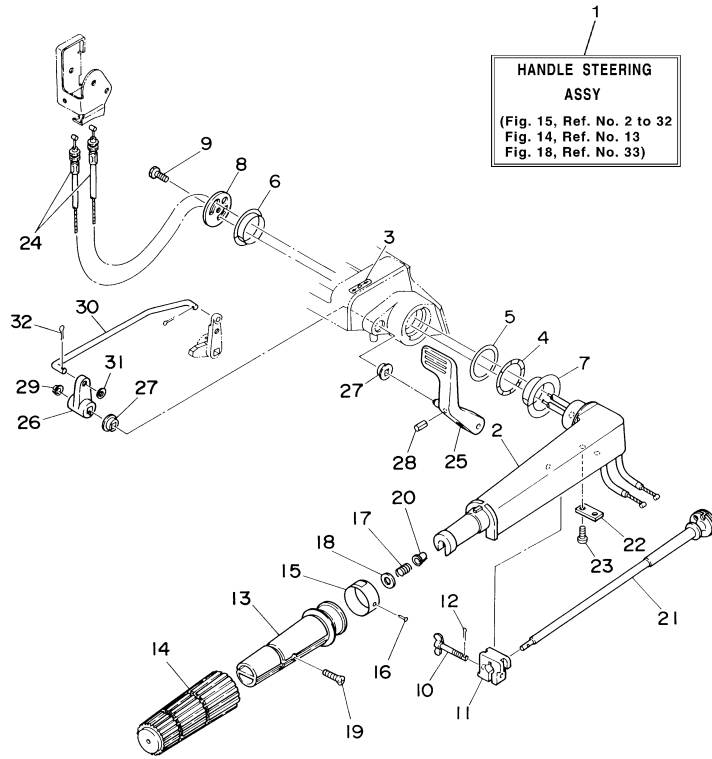
Part Notes

30MLHZ 2001 / BOTTOM COWLING

PART NUMBER	NOTE TEXT
682-82556-00-00 	OEM: This part number is among the Top 100 Most Popular Marine Maintenance Parts as of March 2014.

©2014 Yamaha Motor Corporation, U.S.A. All rights reserved.

30MLHZ 2001 / STEERING FOR MH EH



6J80110-4150

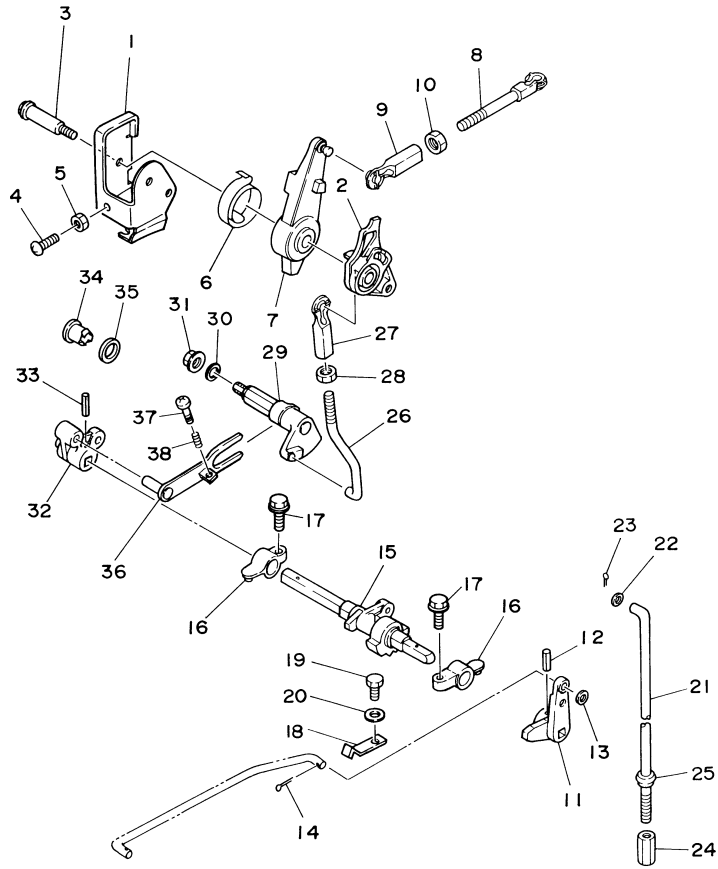
©2014 Yamaha Motor Corporation, U.S.A. All rights reserved.

Part List

30MLHZ 2001 / STEERING FOR MH EH

REF - NO	PART NUMBER	PART NAME	QUANTITY	REMARKS
1	6J8-W0084-10-4D	HANDLE STEERING ASSY	1	
2	6G1-42111-11-4D	HANDLE, STEERING	1	
3	6E0-44191-11-00	INDICATOR, SHIFT	1	
4	90206-36M21-00	WASHER, WAVE	1	
5	90202-36M55-00	WASHER, PLATE	1	
6	90386-33M96-00	BUSH	1	
7	90386-34M97-00	BUSH	1	
8	6G1-42131-01-00	COVER, HANDLE STEERING	1	
9	97095-06020-00	BOLT	1	
10	6G1-42125-01-00	BOLT, FRICTION ADJUSTING	1	
11	6G1-42126-00-00	FRICTION, STEERING HANDLE GRIP	1	
12	91490-16010-00	PIN. COTTER	1	
13	664-42119-00-00	GRIP, STEERING HANDLE	1	
14	6F6-42177-A0-00	RUBBER, HANDLE	1	
15	6J8-42137-00-00	INDICATOR, THROTTLE	1	
16	90269-02M09-00	RIVET	1	
17	90501-23215-00	SPRING, COMPRESSION	1	
18	92903-10600-00	WASHER, PLATE	1	
19	90149-05M13-00	SCREW	1	
20	90386-08032-00	BUSH	1	
21	6G1-42138-01-00	LEVER, THROTTLE	1	
22	6E0-42159-02-00	STAY	1	
23	97885-05012-00	SCREW, PAN HEAD	2	
24	6J8-26301-00-00	THROTTLE CABLE ASSY	2	
25	6J8-44111-01-4D	HANDLE, GEAR SHIFT	1	
26	6J8-44125-00-00	LEVER, SHIFT ROD	1	
27	682-44132-00-00	BUSHING	2	
28	90254-03M04-00	.PIN, SPRING	1	
29	90386-06M12-00	BUSH	1	
30	6J8-44124-00-00	LINK, SHIFT ROD	1	
31	92990-06200-00	WASHER, PLAIN	1	
32	91490-20012-00	PIN. COTTER	1	

30MLHZ 2001 / CONTROL



6J80100-4180

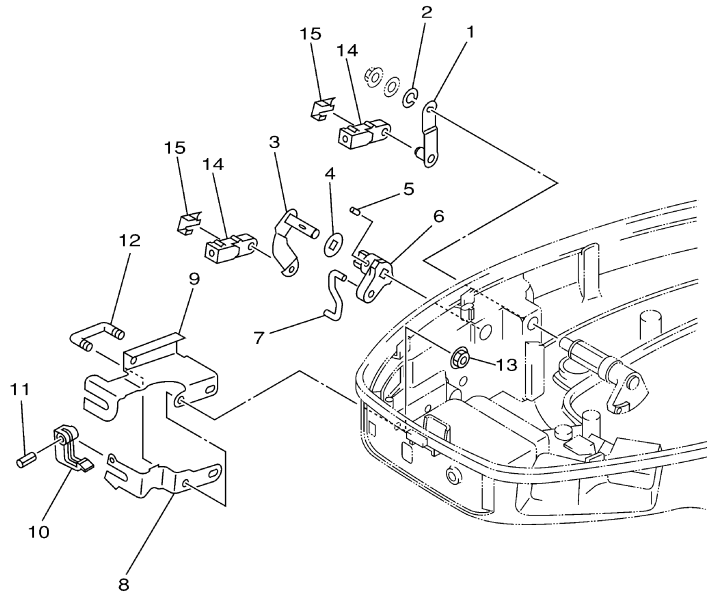
©2014 Yamaha Motor Corporation, U.S.A. All rights reserved.

Part List

30MLHZ 2001 / CONTROL

REF - NO	PART NUMBER	PART NAME	QUANTITY	REMARKS
1	6J8-14497-00-00	STAY, THROTTLE WIRE	1	
2	6J8-41213-00-00	CAM, ACCEL.	1	
3	90109-06M28-00	BOLT	1	
4	97880-06025-00	SCREW, PAN HEAD	1	
5	95303-06600-00	.NUT	1	
6	6J8-42167-00-00	SPRING 1	1	
7	6J8-41631-02-00	LEVER, MAGNETO CONTROL	1	
8	689-42169-01-00	JOINT	1	
9	682-41237-00-00	JOINT, LINK	1	
10	95380-05600-00	NUT	1	
11	6J8-44123-00-00	ARM, SHIFT ROD	1	
12	90254-03M04-00	.PIN, SPRING	1	
13	92990-06200-00	WASHER, PLAIN	1	MH/EH
14	91490-20012-00	PIN. COTTER	1	MH/EH
15	6J8-44121-00-00	LEVER, SHIFT ROD	1	
16	6G1-41662-01-94	BRACKET 2	2	
17	97513-06520-00	BOLT, WITH WASHER	2	
18	6J8-44116-00-00	SPRING	1	
19	97095-06012-00	BOLT	1	
20	92995-06600-00	WASHER	1	
21	6J8-44143-00-00	ROD, SHIFT	1	
22	92990-05600-00	WASHER, PLATE	1	
23	91490-16010-00	PIN. COTTER	1	
24	90170-06015-00	NUT	1	
25	689-43373-01-00	SEAL, DAMPER	1	
26	6J8-42192-00-00	ROD 2	1	
27	682-41237-00-00	JOINT, LINK	1	
28	95380-05600-00	NUT	1	
29	6J8-42154-01-00	LEVER, THROTTLE CONTROL	1	
30	90202-10024-00	WASHER, PLATE	1	
31	95780-08300-00	..NUT, FLANGE	1	
32	6J8-44142-00-00	JOINT	1	
33	90254-03M04-00	.PIN, SPRING	1	
34	682-42726-00-00	GROMMET	1	MH/EH
35	90202-12M17-00	WASHER, PLATE	1	MH/EH
36	6J8-41211-00-00	LINK, ACCEL.	1	MH/EH
37	97880-04020-00	SCREW, PAN HEAD	1	MH/EH
38	90501-08M66-00	SPRING, COMPRESSION	1	MH/EH

30MLHZ 2001 / CONTROL 2 FOR ER



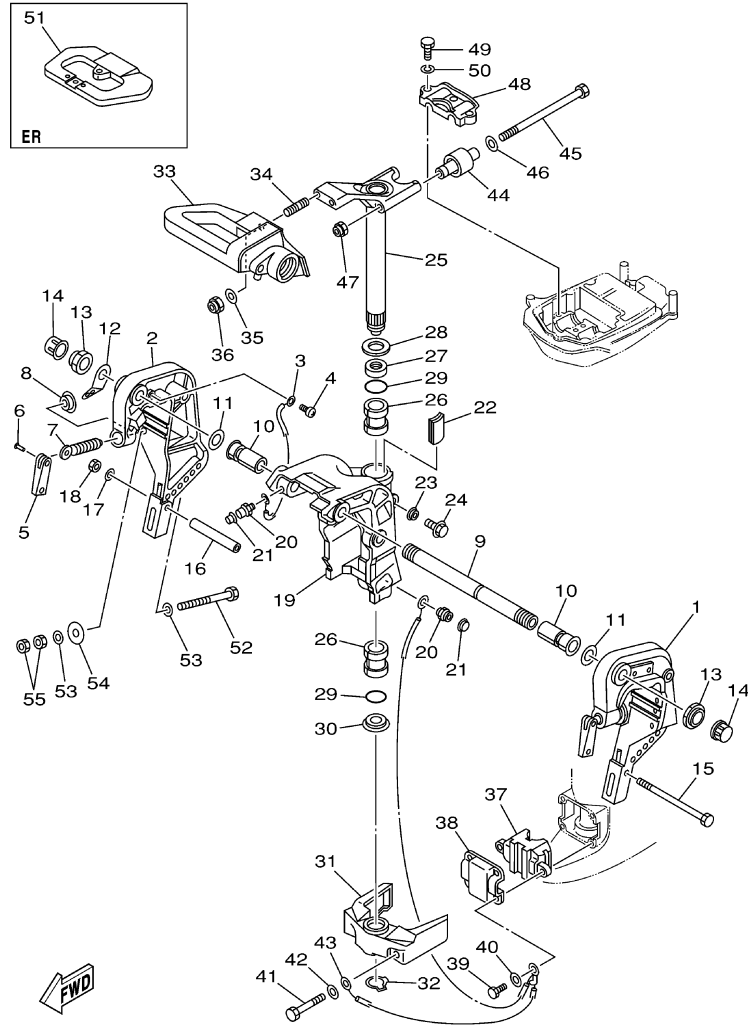
©2014 Yamaha Motor Corporation, U.S.A. All rights reserved.

Part List

30MLHZ 2001 / CONTROL 2 FOR ER

REF - NO	PART NUMBER	PART NAME	QUANTITY	REMARKS
1	6J8-48534-00-00	.THROTTLE LEVER, CONTROL	1	(E)
2	92990-08100-00	WASHER, SPRING	1	(E)
3	6J8-48544-01-00	.LEVER, SHIFTCONTROL	1	(E)
4	6J8-44177-00-00	.WASHER	1	(E)
5	90254-03M03-00	.PIN, SPRING	1	(E)
6	6J8-44173-02-00	.LEVER, SHIFT CONTROL	1	(E)
7	6J8-42169-01-00	.JOINT	1	(E)
8	6J8-48531-00-00	.BRACKET, REMOTE CONTROL 1	1	(E)
9	6J8-48532-00-00	.BRACKET, REMOTE CONTROL 2	1	(E)
10	682-48538-50-00	.CLAMP, CABLE 1	1	(E)
11	91690-30012-00	.PIN, SPRING	1	(E)
12	90109-06M29-00	.BOLT	1	(E)
13	90179-06M24-00	NUT	2	(E)
14	6G8-26363-00-00	.END, WIRE 1	2	(E)
15	6G8-26364-00-00	.END, CABLE	2	(E)

30MLHZ 2001 / BRACKET 1



©2014 Yamaha Motor Corporation, U.S.A. All rights reserved.

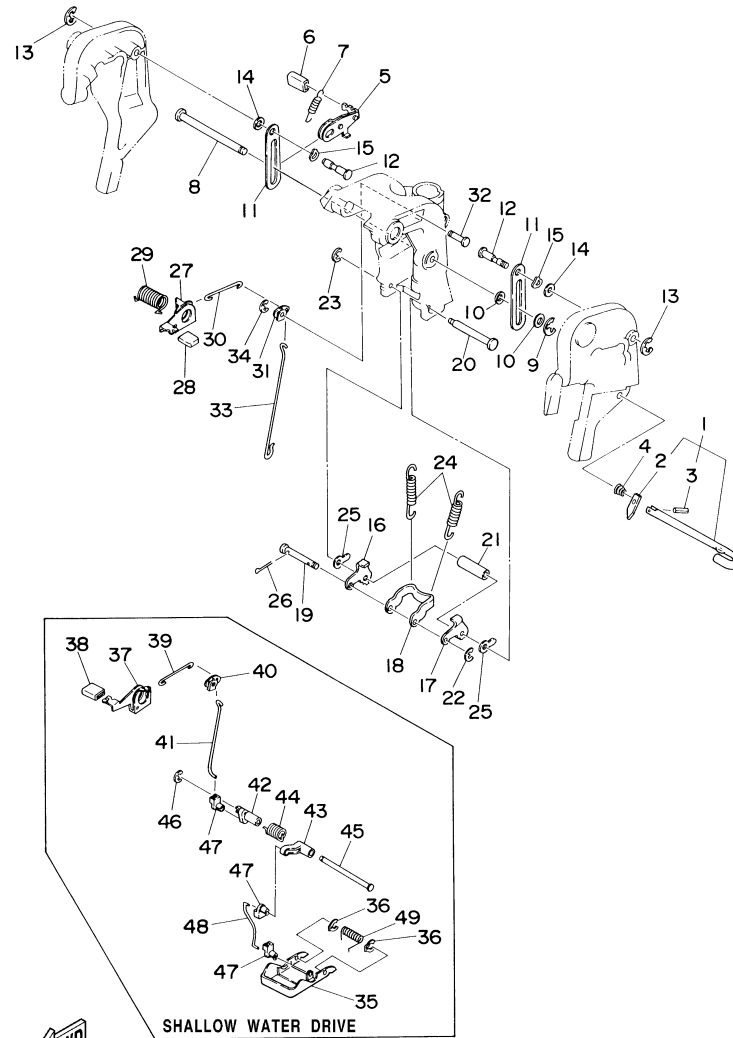
Part List

30MLHZ 2001 / BRACKET 1

REF - NO	PART NUMBER	PART NAME	QUANTITY	REMARKS
1	6H4-43111-05-4D	BRACKET, CLAMP	1	
2	6H4-43112-04-4D	BRACKET, CLAMP	1	
3	6E5-82148-00-00	WIRE, LEAD 4	1	
4	97885-06008-00	SCREW, PAN HEAD	1	
5	6E0-43118-01-00	HANDLE, TRANSOM CLAMP	2	
6	90243-04M01-00	PIN	2	
7	90149-14M12-00	SCREW	2	
8	648-43114-01-00	PAD, TRANSOM CLAMP	2	
9	6J8-43131-01-00	BOLT, CLAMP BRACKET	1	
10	90386-22M69-00	BUSH	2	
11	90201-22M03-00	WASHER, PLATE	2	
12	6J8-43113-01-00	PLATE, CLAMP BRACKET	1	
13	90185-22043-00	NUT, SELF-LOCKING	2	
14	6G5-43145-00-00	CAP, CLAMP BRACKET	2	
15	90101-08339-00	BOLT	1	
16	90387-08M03-00	COLLAR	1	
17	92995-08600-00	WASHER	1	
18	95380-08600-00	NUT	1	
19	6J8-43311-04-4D	BRACKET, SWIVEL 1	1	
20	93700-06M03-00	NIPPLE, GREASE	3	
21	663-45119-00-00	CAP, GREASE NIPPLE	3	AP
22	6J8-42528-00-00	PLATE, FRICTION	1	
23	689-43373-01-00	SEAL, DAMPER	1	
24	90105-06M18-00	BOLT, FLANGE	1	
25	6J8-42510-02-4D	STEERING BRACKET ASSY	1	
26	90386-30M77-00	BUSH	2	
27	90386-30M78-00	BUSH	1	
28	90201-30M00-00	WASHER, PLATE	1	
29	93210-29M94-00	O-RING	2	
30	90386-30M60-00	BUSH	1	
31	6H4-44551-02-4D	HOUSING, LOWER MOUNT RUBBER	1	
32	93410-28M06-00	CIRCLIP	1	
33	6J8-42121-02-4D	BRACKET	1	
34	90116-10M28-00	BOLT, STUD	2	
35	92995-10600-00	WASHER	2	
36	90185-10051-00	NUT, SELF-LOCKING	2	
37	6H4-44557-10-00	MOUNT DAMPER, LOWER FRONT	1	UR L
37	6H4-44557-00-00	MOUNT DAMPER, LOWER FRONT	1	UR S (M)
38	6H4-44553-01-00	COVER, LOWER MOUNT	1	
39	97095-08025-00	BOLT	4	
40	92995-08600-00	WASHER	4	
41	97095-10060-00	BOLT	2	
42	92995-10600-00	WASHER	2	
43	6H4-82127-00-00	WIRE, LEAD 2	1	
44	6H4-44514-00-00	MOUNT DAMPER, UPPER SIDE	2	
45	90109-08M26-00	BOLT	2	
46	90201-09425-00	WASHER, PLATE	2	
47	90185-08045-00	NUT, SELF-LOCKING	2	
48	6J8-44511-00-4D	COVER, UPPER MOUNT	1	
49	97075-08035-00	BOLT	3	
50	92995-08100-00	WASHER	3	

51	6J8-48511-51-4D	HOOK, STEERING	1	ER (E)
52	90101-10M58-00	BOLT	4	ER/EH (E)
53	92995-10600-00	WASHER	8	ER/EH (E)
54	90201-12426-00	WASHER, PLATE	4	ER/EH (E)
55	95380-10600-00	NUT	8	ER/EH (E)

30MLHZ 2001 / BRACKET 2



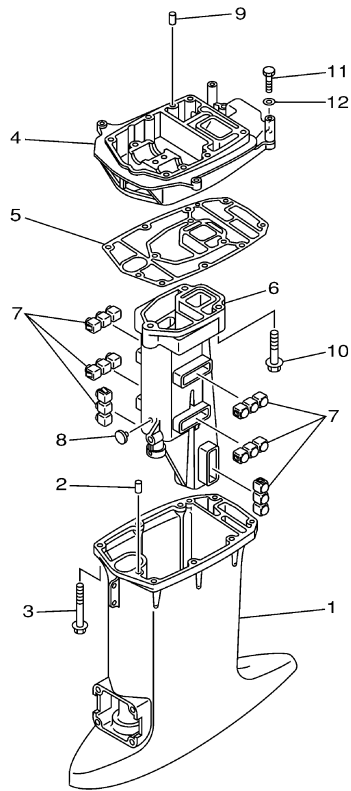
6J80010-4200

Part List

30MLHZ 2001 / BRACKET 2

REF - NO	PART NUMBER	PART NAME	QUANTITY	REMARKS
1	6H4-43160-01-00	TILT ROD ASSY	1	
2	676-43165-00-00	.PLATE, TILT LOCK	1	
3	91690-30010-00	.PIN, SPRING	1	
4	90502-10M04-00	SPRING, CONICAL	1	
5	6J8-43181-01-00	LEVER, TILT STOP	1	
6	682-43318-01-00	COVER	1	
7	90506-12M25-00	SPRING, TENSION	1	
8	90249-12M28-00	PIN	1	
9	93430-10M00-00	CIRCLIP	1	
10	90202-12031-00	WASHER, PLATE	2	
11	6J8-43627-00-00	STOPPER	2	
12	90249-12M27-00	PIN	2	
13	93430-10M00-00	CIRCLIP	2	
14	90202-12031-00	WASHER, PLATE	2	
15	90206-12M16-00	WASHER, WAVE	2	
16	6J8-43614-00-00	PLATE, TILT LOCK	1	
17	6J8-43615-00-00	PLATE, TILT LOCK	1	
18	6J8-43613-01-00	ARM, TILT LOCK	1	
19	6H4-43659-00-00	SHAFT, REVERSE LOCK	1	
20	6J8-43611-01-00	SHAFT, TILT LOCK	1	
21	90387-07M64-00	COLLAR	1	
22	93430-06M02-00	.CIRCLIP	1	
23	93430-05027-00	CIRCLIP	1	
24	90506-32M22-00	SPRING, TENSION	2	
25	6H4-43674-00-00	WASHER	2	ER WITHOUT SHALLOW WATER DRIVE (E)
26	91490-20010-00	PIN. COTTER	2	
27	6J8-43631-00-00	LEVER, TILT	1	
28	6J8-43633-00-00	COVER, TILT LEVER	1	
29	90508-18M23-00	SPRING, TORSION	1	UR FOR SHALLOW WATER DRIVE
29	90508-18M24-00	SPRING, TORSION	1	UR ER (E)
30	6H4-43616-00-00	ROD, TILT LOCK	1	
31	6J8-43641-00-00	LEVER, TILT	1	
32	90249-06M24-00	PIN	1	UR FOR SHALLOW WATER DRIVE
32	90249-06M23-00	PIN	1	UR ER (E)
33	6J8-43617-00-00	ROD, TILT LOCK	1	
34	93430-05027-00	CIRCLIP	1	
35	6J8-43681-01-00	LEVER, SHALLOW WATER DRIVE 1	1	
36	6J8-43673-00-00	WASHER 1	2	
37	6J8-43631-10-00	LEVER, TILT	1	
38	6J8-43633-00-00	COVER, TILT LEVER	1	
39	6H4-43616-00-00	ROD, TILT LOCK	1	
40	6J8-43641-00-00	LEVER, TILT	1	
41	6J8-43617-10-00	ROD, TILT LOCK	1	
42	6J8-43186-00-00	LEVER	1	
43	6J8-43187-00-00	LEVER 2	1	
44	90508-25M21-00	SPRING, TORSION	1	
45	90249-07M25-00	PIN	1	
46	93430-05027-00	CIRCLIP	1	
47	6J8-41262-00-00	JOINT, CHOKE LEVER	3	
48	6J8-43616-10-00	ROD, TILT LOCK	1	
49	90508-20M22-00	SPRING, TORSION	1	

30MLHZ 2001 / UPPER CASING



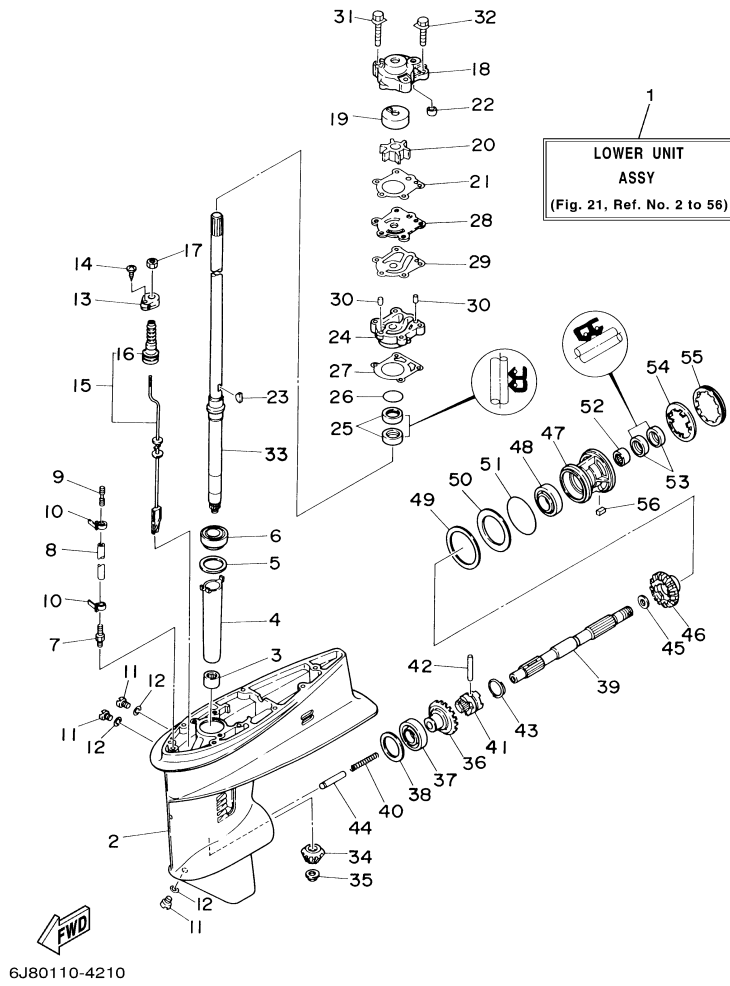
6J80100-9250

Part List

30MLHZ 2001 / UPPER CASING

REF - NO	PART NUMBER	PART NAME	QUANTITY	REMARKS
1	6J8-45111-11-4D	CASING, UPPER	1	UR L
1	6J8-45111-01-4D	CASING, UPPER	1	UR S (M)
2	93606-12019-00	.PIN, DOWEL	2	
3	90119-08M31-00	BOLT, WITH WASHER	6	
4	6J8-41137-01-94	GUIDE, EXHAUST	1	
5	6J8-45114-A1-00	.GASKET, UPPER CASING	1	
6	6J8-41131-00-5B	MANIFOLD, EXT. 1	1	UR 30
7	6J8-14737-00-00	DAMPER, MUFFLER	6	
8	90338-07M00-00	PLUG	1	
9	93606-12019-00	.PIN, DOWEL	2	
10	97575-08550-00	BOLT, WITH WASHER	3	
11	97075-08030-00	BOLT	2	
12	92995-08600-00	WASHER	2	

30MLHZ 2001 / LOWER CASING DRIVE 1



©2014 Yamaha Motor Corporation, U.S.A. All rights reserved.

Part List



30MLHZ 2001 / LOWER CASING DRIVE 1

REF - NO	PART NUMBER	PART NAME	QUANTITY	REMARKS
1	6J8-45300-14-4D	LOWER UNIT ASSY	1	UR L
1	6J8-45300-04-4D	LOWER UNIT ASSY	1	UR S (M)
2	6J8-45301-02-4D	CASING, LOWER	1	
3	93315-220V7-00	BEARING	1	
4	6J8-45536-00-00	SLEEVE, DRIVE SHAFT	1	
5	663-45587-01-10	SHIM (T:0.10MM)	1	UR
5	663-45587-01-12	SHIM (T:0.12MM)	1	UR
5	663-45587-01-15	SHIM (T:0.15MM)	1	UR
5	663-45587-01-50	SHIM (T:0.50MM)	1	UR
5	663-45587-01-30	SHIM (T:0.30MM)	1	UR
5	663-45587-01-40	SHIM (T:0.40MM)	1	UR
5	663-45587-01-18	SHIM (T:0.18MM)	1	UR
6	93332-00001-00	BEARING	1	
7	6E5-45378-00-00	NIPPLE, HOSE	1	
8	90445-07M31-00	HOSE (L200)	1	UR L
8	90445-07ME9-00	HOSE (L120)	1	UR S (M)
9	6E5-83558-00-00	END, NIPPLE	1	
10	90465-11M10-00	CLAMP	2	
11	90340-08M04-00	PLUG, STRAIGHT SCREW	3	
12	90430-08020-00	.GASKET	3	
13	682-44176-00-00	BRACKET	1	
14	97780-50510-00	SCREW, TAPPING	1	
15	6J8-44150-10-00	SHIFT CAM ASSY	1	UR L
15	6J8-44150-00-00	SHIFT CAM ASSY	1	UR S (M)
16	682-44147-00-00	.BOOT, SHIFT ROD	1	
17	95380-06700-00	NUT	1	
18	6J8-44311-00-00	HOUSING, WATER PUMP	1	
19	663-44322-00-00	.INSERT, CARTRIDGE	1	
20	6H4-44352-02-00	.IMPELLER	1	
21	663-44315-A0-00	GASKET, WATER PUMP	1	
22	663-44366-00-00	.DAMPER, WATER SEAL 2	1	
23	90280-03024-00	.KEY, WOODRUFF	1	
24	663-44341-00-94	HOUSING, WATER PUMP	1	
25	93101-23070-00	.OIL SEAL	2	
26	93210-41042-00	O-RING	1	
27	663-44316-A0-00	GASKET, WATER PUMP	1	
28	663-44323-00-00	OUTER PLATE, CARTIDGE	1	
29	663-44324-A0-00	GASKET, CARTRIDGE	1	
30	93604-08062-00	PIN, DOWEL	2	
31	90119-08M13-00	.BOLT, WITH WASHER	2	
32	90119-08M34-00	BOLT, WITH WASHER	2	
33	6J8-45501-10-00	DRIVE SHAFT COMP.	1	UR L
33	6J8-45501-00-00	DRIVE SHAFT COMP.	1	UR S (M)
34	6J8-45551-00-00	PINION	1	
35	90179-10M14-00	NUT	1	
36	6J8-45560-00-00	GEAR	1	
37	93332-000V6-00	BEARING	1	
38	6J8-45567-01-10	SHIM (T:0.10MM)	1	UR
38	6J8-45567-01-12	SHIM (T:0.12MM)	1	UR
38	6J8-45567-01-15	SHIM (T:0.15MM)	1	UR
38	6J8-45567-01-50	SHIM (T:0.50MM)	1	UR
38	6J8-45567-01-30	SHIM (T:0.30MM)	1	UR
38	6J8-45567-01-40	SHIM (T:0.40MM)	1	UR

38	6J8-45567-01-18	SHIM (T:0.18MM)	1	UR
39	6J8-45611-00-00	SHAFT, PROPELLER	1	
40	90501-10065-00	SPRING, COMPRESSION	1	
41	6J8-45631-00-00	CLUTCH, DOG	1	
42	90250-05010-00	PIN, STRAIGHT	1	
43	648-45633-00-00	RING, CROSS PIN	1	
44	6J8-45635-00-00	PLUNGER, SHIFT	1	
45	90201-20417-00	WASHER, PLATE	1	
46	6J8-45571-00-00	GEAR	1	
47	689-45331-01-94	HOUSING, BEARING	1	
48	93306-00612-00	BEARING	1	
49	664-45577-01-12	SHIM (T:0.12MM)	1	UR
49	664-45577-01-30	SHIM (T:0.30MM)	1	UR
49	664-45577-01-50	SHIM (T:0.50MM)	1	UR
49	664-45577-01-40	SHIM (T:0.40MM)	1	UR
49	664-45577-01-15	SHIM (T:0.15MM)	1	UR
49	664-45577-01-18	SHIM (T:0.18MM)	1	UR
49	664-45577-01-10	SHIM (T:0.10MM)	1	UR
50	664-45576-00-00	WASHER, THRUST	1	
51	93210-60MA3-00	.O-RING	1	
52	93315-22004-00	BEARING	1	
53	93101-20M07-00	.OIL SEAL	2	
54	90214-45M02-00	WASHER, CLAW	1	
55	664-45384-00-00	NUT	1	
56	90282-04010-00	KEY, STRAIGHT	1	

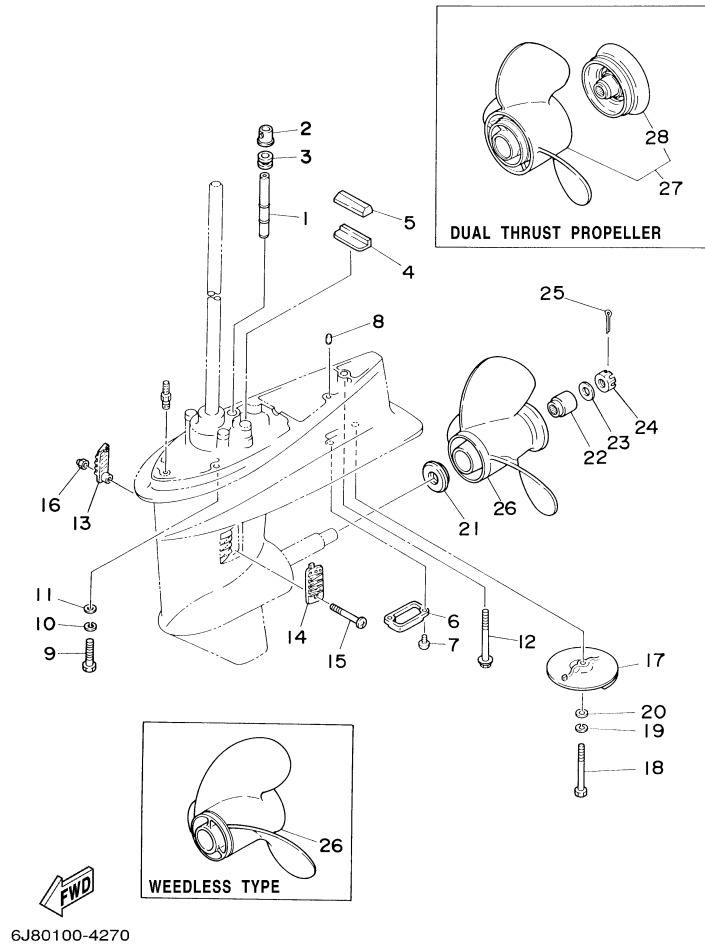
Part Notes

30MLHZ 2001 / LOWER CASING DRIVE 1

PART NUMBER		NOTE TEXT
90430-08020-00		OEM: This part number is among the Top 100 Most Popular Marine Maintenance Parts as of March 2014.
6H4-44352-02-00		OEM: This part number is among the Top 100 Most Popular Marine Maintenance Parts as of March 2014.

©2014 Yamaha Motor Corporation, U.S.A. All rights reserved.

30MLHZ 2001 / LOWER CASING DRIVE 2



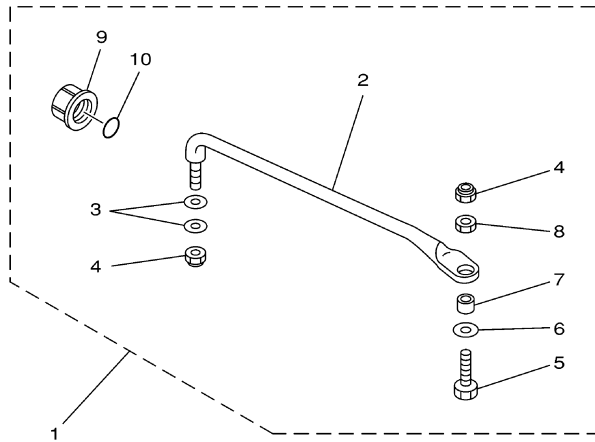
©2014 Yamaha Motor Corporation, U.S.A. All rights reserved.

Part List

30MLHZ 2001 / LOWER CASING DRIVE 2

REF - NO	PART NUMBER	PART NAME	QUANTITY	REMARKS
1	6J8-44361-10-00	TUBE, WATER	1	UR L
1	6J8-44361-00-00	TUBE, WATER	1	UR S (M)
2	6J8-44366-00-00	DAMPER, WATER SEAL	1	
3	663-44367-00-00	DAMPER, WATER SEAL 3	1	
4	663-45376-00-94	GUIDE, SEAL DAMPER	1	
5	688-45375-00-00	DAMPER, SEAL	1	
6	6J8-45224-10-00	COVER, WATER INLET 3	1	
7	97880-06012-00	SCREW, PAN HEAD	2	
8	93606-12019-00	.PIN, DOWEL	2	
9	97075-10040-00	BOLT	4	
10	92995-10100-00	WASHER	4	
11	92995-10600-00	WASHER	4	
12	90119-08M92-00	BOLT, WITH WASHER	1	
13	689-45214-01-00	COVER, WATER INLET	1	
14	6J8-45215-00-00	COVER, WATER INLET	1	
15	90152-05M04-00	SCREW, COUNTERSUNK	1	
16	90185-05002-00	NUT, NYLON	1	
17	664-45371-01-00	TAB-TRIM	1	
18	97075-08020-00	BOLT	1	
19	92995-08100-00	WASHER	1	
20	92995-08600-00	WASHER	1	
21	6L2-45987-01-00	SPACER 1	1	
22	689-45997-00-00	SPACER 2	1	
23	92990-14200-00	WASHER, PLAIN	1	
24	90171-14013-00	NUT, CASTLE	1	
25	91490-30022-00	PIN. COTTER	1	
26	664-45941-01-EL	PROPELLER (3X9-7/8"X9"-F)	1	UR
26	664-45943-01-EL	PROPELLER (3X9-7/8"X8"-F)	1	UR
26	664-45945-00-EL	PROPELLER (3X9-7/8"X10-1/2"-F)	1	UR
26	664-45970-00-98	PROPELLER (3X9-1/8"X13"-F)	1	UR STAINLESS STEEL, WEEDLESS
26	664-45949-02-EL	PROPELLER (3X9-7/8"X13"-F)	1	UR
26	664-45952-00-EL	PROPELLER (3X9-7/8"X14"-F)	1	UR
26	664-45954-00-EL	PROPELLER (3X9-7/8"X12"-F)	1	UR
26	664-45947-01-EL	PROPELLER (3X9-7/8"X11-1/4"-F)	1	UR
27	6J8-W4591-00-EL	PROPELLER (3X10-5/8X8-1/4-F)	1	UR DUAL THRUST PROPELLER
28	6J8-45986-10-98	.RING, DEFLECTOR	1	

30MLHZ 2001 / STEERING GUIDE



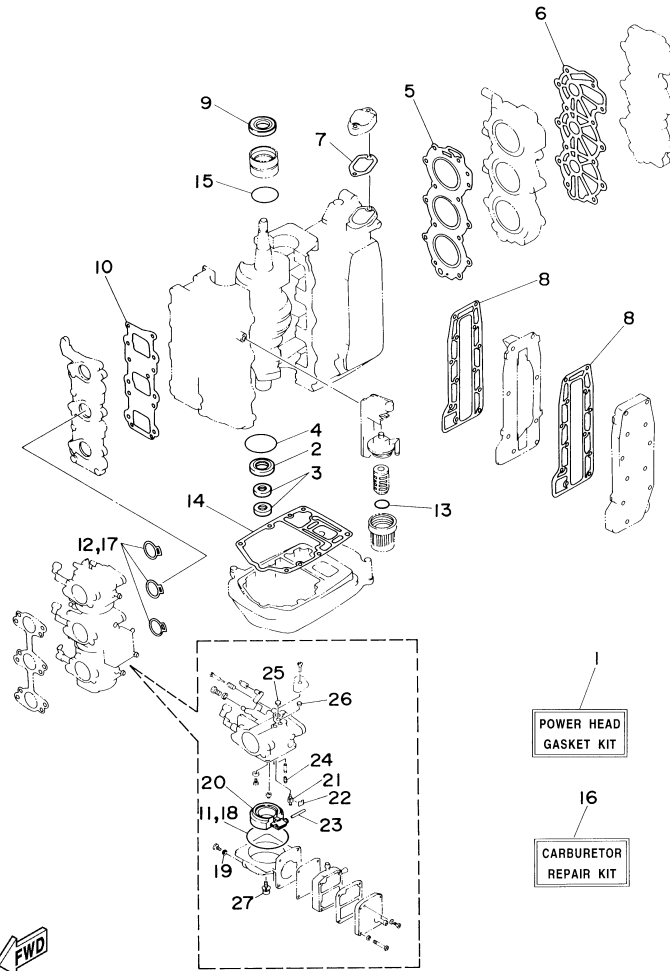
6J80ACC-0030

Part List

30MLHZ 2001 / STEERING GUIDE

REF - NO	PART NUMBER	PART NAME	QUANTITY	REMARKS
1	689-61350-02-00	STEERING GUIDE ATTACHMENT KIT	1	AP ER (E)
2	689-61351-01-00	.ROD, STEERING LINK	1	(E)
3	90201-10M20-00	.WASHER, PLATE	2	(E)
4	90185-09M01-00	.NUT, SELF-LOCKING	2	(E)
5	90101-09M66-00	.BOLT	1	(E)
6	90201-10M63-00	.WASHER, PLATE	1	(E)
7	90387-10M42-00	.COLLAR	1	(E)
8	90170-09M03-00	.NUT	1	(E)
9	6E5-43145-00-00	.CAP, CLAMP BRACKET	1	(E)
10	93210-16275-00	.O-RING	1	(E)

30MLHZ 2001 / REPAIR KIT 1



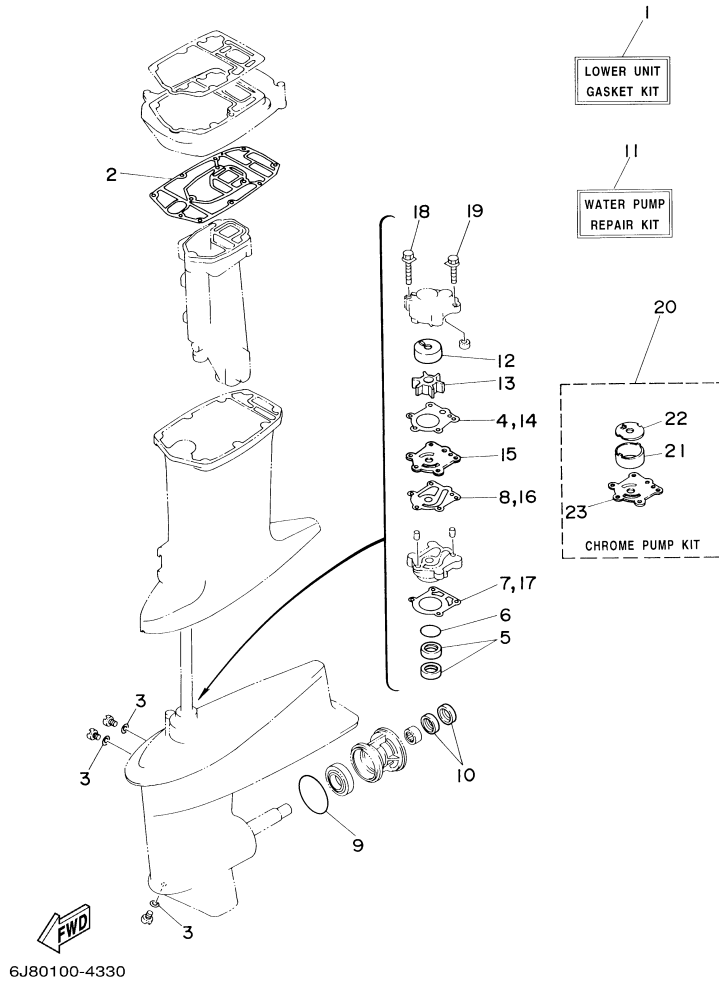
6J80100-4320

Part List

30MLHZ 2001 / REPAIR KIT 1

REF - NO	PART NUMBER	PART NAME	QUANTITY	REMARKS
1	6J8-W0001-03-00	POWER HEAD GASKET KIT	1	
2	93101-25M28-00	.OIL SEAL	1	
3	93104-16M04-00	.OIL SEAL	2	
4	93210-56M80-00	.O-RING	1	
5	6J8-11181-A1-00	.GASKET, CYLINDER HEAD 1	1	
6	6J8-11193-A1-00	.GASKET, HEAD COVER 1	1	
7	6J8-12414-A0-00	.GASKET, COVER	1	
8	6J8-41114-A0-00	.GASKET, EXHAUST OUTER COVER	2	
9	93102-26M27-00	.OIL SEAL	1	
10	6J8-13621-00-00	.GASKET, VALVE SEAT	1	
11	6J8-14984-00-00	.GASKET, FLOAT CHAMBER	3	
12	6J8-14198-00-00	.GASKET	3	
13	93210-32738-00	.O-RING	1	
14	6J8-45113-A0-00	.GASKET, UPPER CASING	1	
15	93210-42159-00	.O-RING	1	
16	6J8-W0093-00-00	CARBURETOR REPAIR KIT	1	
17	6J8-14198-00-00	.GASKET	3	
18	6J8-14984-00-00	.GASKET, FLOAT CHAMBER	3	
19	6J8-14995-00-00	.GASKET	3	
20	6J8-14985-00-00	.FLOAT	3	
21	6J8-14546-00-00	.VALVE, NEEDLE	3	
22	6J8-14159-00-00	.CLIP	3	
23	6J8-14548-00-00	.PIN, FLOAT ARM	3	
24	6J8-14966-00-00	.PLUG	3	
25	6J8-14126-00-00	.PLUG	3	
26	6J8-14118-00-00	.PLUG	3	
27	97980-04112-00	.SCREW, WITH WASHER	3	

30MLHZ 2001 / REPAIR KIT 2



©2014 Yamaha Motor Corporation, U.S.A. All rights reserved.



Part List

30MLHZ 2001 / REPAIR KIT 2

REF - NO	PART NUMBER	PART NAME	QUANTITY	REMARKS
1	6J8-W0001-C2-00	LOWER UNIT GASKET KIT	1	
2	6J8-45114-A1-00	.GASKET, UPPER CASING	1	
3	90430-08020-00	.GASKET	2	
4	663-44315-A0-00	.GASKET, WATER PUMP	1	
5	93101-23070-00	.OIL SEAL	2	
6	93210-41042-00	.O-RING	1	
7	663-44316-A0-00	.GASKET, WATER PUMP	1	
8	663-44324-A0-00	.GASKET, CARTRIDGE	1	
9	93210-60MA3-00	.O-RING	1	
10	93101-20M07-00	.OIL SEAL	2	
11	6J8-W0078-A2-00	WATER PUMP REPAIR KIT	1	
12	663-44322-00-00	.INSERT, CARTRIDGE	1	
13	6H4-44352-02-00	.IMPELLER	1	
14	663-44315-A0-00	.GASKET, WATER PUMP	1	
15	663-44323-00-00	.OUTER PLATE, CARTRIDGE	1	
16	663-44324-A0-00	.GASKET, CARTRIDGE	1	
17	663-44316-A0-00	.GASKET, WATER PUMP	1	
18	90119-08M13-00	.BOLT, WITH WASHER	2	
19	90119-08M34-00	.BOLT, WITH WASHER	2	
20	6H4-W0078-0A-00	CHROME PUMP KIT	1	
21	670-44322-01-00	.INSERT, CARTRIDGE	1	
22	670-44321-00-00	.INNER PLATE, CARTRIDGE	1	
23	670-44323-00-00	.OUTER PLATE, CARTRIDGE	1	

Part Notes

30MLHZ 2001 / REPAIR KIT 2

PART NUMBER		NOTE TEXT
90430-08020-00		OEM: This part number is among the Top 100 Most Popular Marine Maintenance Parts as of March 2014.
6H4-44352-02-00		OEM: This part number is among the Top 100 Most Popular Marine Maintenance Parts as of March 2014.

©2014 Yamaha Motor Corporation, U.S.A. All rights reserved.

30MLHZ 2001 / MODELS IN THIS CATALOG

25MHZ3 (6K9)

Engine Serial No. 25MSH3Z: 6K9S-201906 and following

30MSHZ (6J8)

Engine Serial No. 30MSHZ : 6J8S-110929 and following

30MLHZ (6J8)

Engine Serial No. 30MLHZ : 6J8L-409559 and following

30ELRZ (6J8)

Engine Serial No. 30ELRZ : 6J8L-462998 and following

30ELHZ (6J8)

Engine Serial No. 30ELHZ : 6J8L-761205 and following

**ALL THESE MODELS USE THIS SAME PARTS CATALOG.
BE SURE TO ORDER ONLY THOSE PARTS APPLICABLE
TO THE DESIRED MODEL.**

©2014 Yamaha Motor Corporation, U.S.A. All rights reserved.

©2014 Yamaha Motor Corporation, U.S.A. All rights reserved.