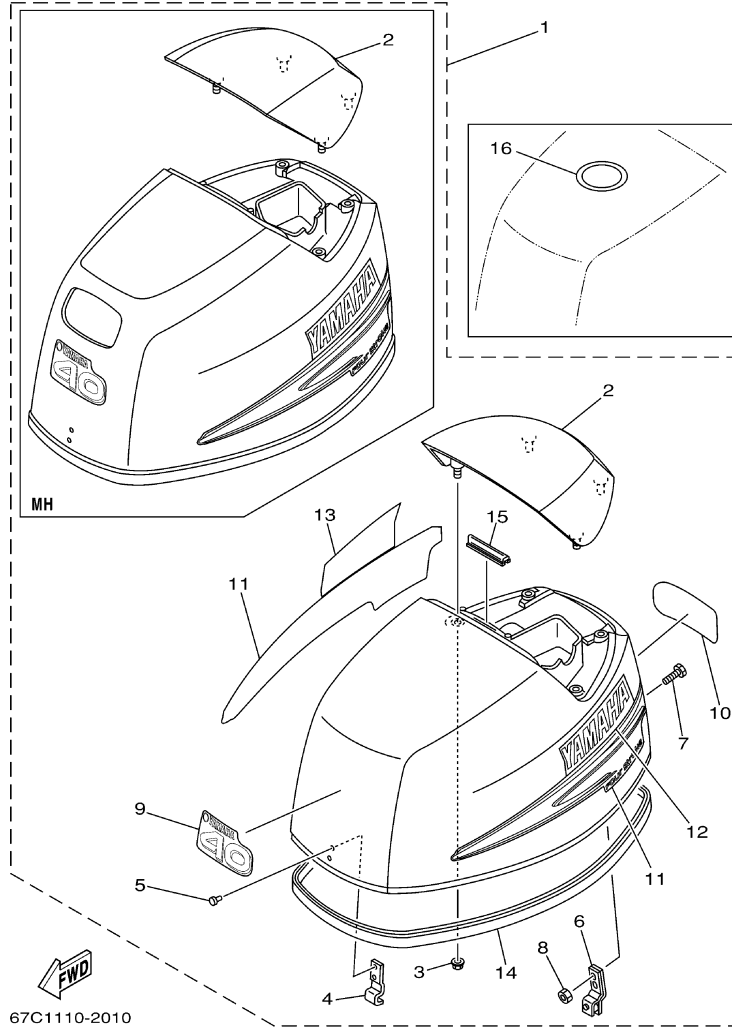


F30TLRB 2003 / TOP COWLING



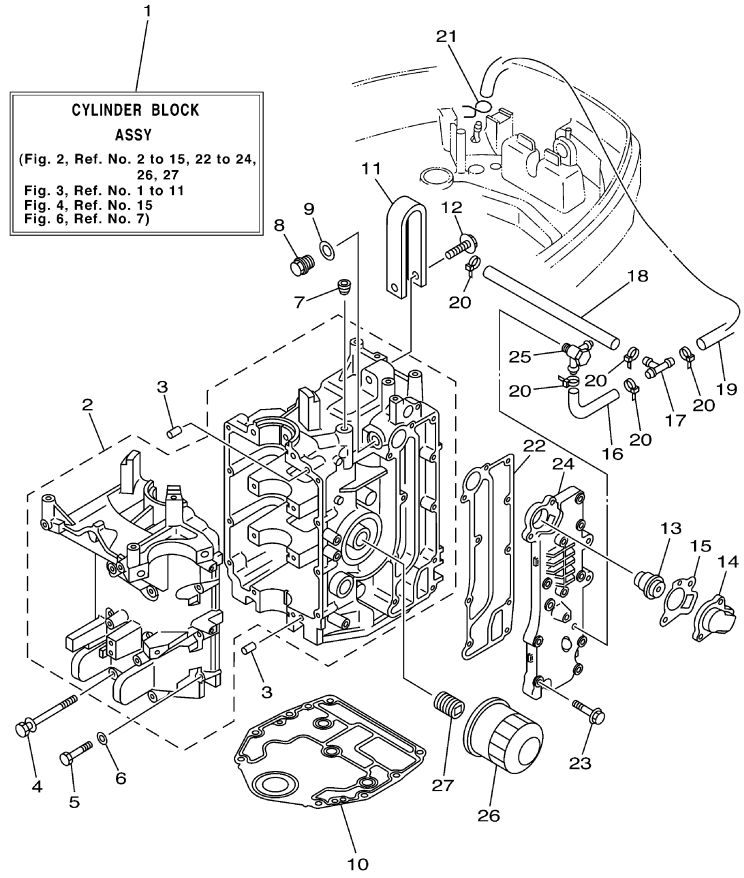
©2014 Yamaha Motor Corporation, U.S.A. All rights reserved.

Part List

F30TLRB 2003 / TOP COWLING

REF - NO	PART NUMBER	PART NAME	QUANTITY	REMARKS
1	69H-42610-20-4D	TOP COWLING ASSY	1	UR F30TR
2	67C-42613-10-4D	.MOLDING, AIR DUCT	1	UR MH/MJH
2	67C-42613-00-4D	.MOLDING, AIR DUCT	1	UR ER/EJR/TR
3	90179-06M24-00	.NUT	4	
4	62Y-42651-00-00	.HOOK	1	
5	90266-06M02-00	.RIVET	2	
6	67C-42652-00-00	.HOOK	1	
7	90109-06MA4-00	.BOLT	2	
8	95380-06700-00	.NUT	2	
9	69H-42677-10-00	.GRAPHIC, FRONT	1	UR F30
10	69H-42678-10-00	.GRAPHIC, REAR	1	UR F30
11	67C-W0070-10-00	.GRAPHIC SET	1	
12	67C-42681-10-00	.MARK, COWLING	1	
13	67C-42682-10-00	.MARK, COWLING	1	
14	67C-42615-00-00	.SEAL	1	
15	61N-42628-00-00	.SEAL	1	
16	67F-13434-02-00	LABEL, CAUTION	1	

F30TLRB 2003 / CYLINDER CRANKCASE 1




67C2110-3020


Part List

F30TLRB 2003 / CYLINDER CRANKCASE 1

REF - NO	PART NUMBER	PART NAME	QUANTITY	REMARKS
1	67C-W009B-02-1S	CYLINDER BLOCK ASSY	1	
2	67C-15100-01-94	CRANKCASE ASSY	1	
3	99530-08012-00	PIN, DOWEL	2	
4	90119-08M01-00	BOLT, WITH WASHER	8	
5	97013-06035-00	BOLT	8	
6	92903-06600-00	WASHER, PLATE	8	
7	90344-51M01-00	PLUG, TAPER SCREW	1	
8	90340-14M06-00	PLUG, STRAIGHT SCREW	1	
9	90430-14115-00	.GASKET	1	
10	67C-11351-00-00	.GASKET, CYLINDER	1	
11	65W-11119-00-00	HANGER, ENGINE	1	
12	90105-08M87-00	BOLT, FLANGE	1	
13	6G8-12411-02-00	THERMOSTAT	1	
14	6H3-12413-00-1S	COVER, THERMOSTAT	1	
15	62Y-12414-00-00	.GASKET, COVER	1	
16	90445-09068-00	HOSE (L110)	1	
17	688-24378-00-00	PIPE, JOINT 3	1	
18	90445-09095-00	HOSE (L215)	1	
19	90445-09105-00	HOSE (L300)	1	
20	90465-11M10-00	CLAMP	5	
21	90467-08004-00	CLIP	1	
22	67C-41114-10-00	.GASKET, EXHAUST OUTER COVER	1	
23	90119-06MA5-00	BOLT, WITH WASHER	10	
24	67C-41113-01-1S	OUTER COVER, EXHAUST	1	
25	62Y-11372-01-00	NIPPLE, HOSE	1	FOR FLUSHING KIT
26	5GH-13440-00-00	ELEMENT ASSY, OIL CLEANER	1	
27	90401-20M00-00	BOLT, UNION	1	

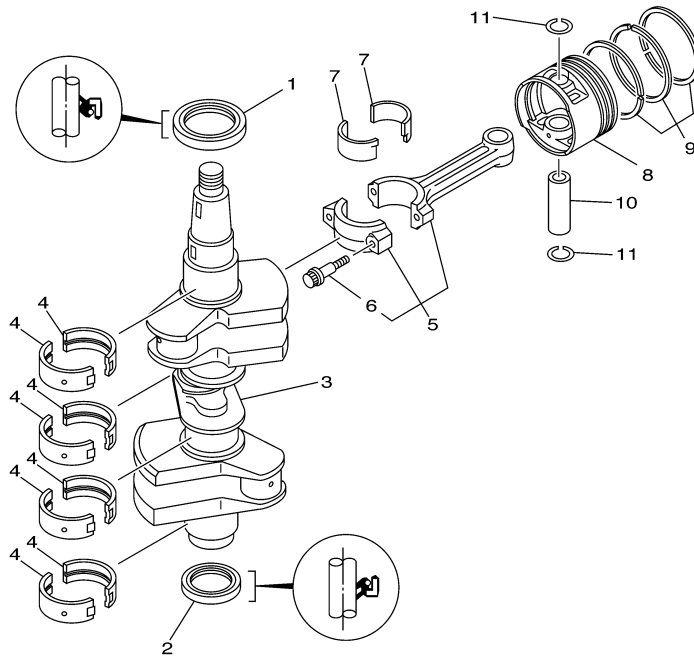
Part Notes

F30TLRB 2003 / CYLINDER CRANKCASE 1

PART NUMBER	NOTE TEXT
62Y-12414-00-00 	OEM: This part number is among the Top 100 Most Popular Marine Maintenance Parts as of March 2014.

©2014 Yamaha Motor Corporation, U.S.A. All rights reserved.

F30TLRB 2003 / CRANKSHAFT PISTON



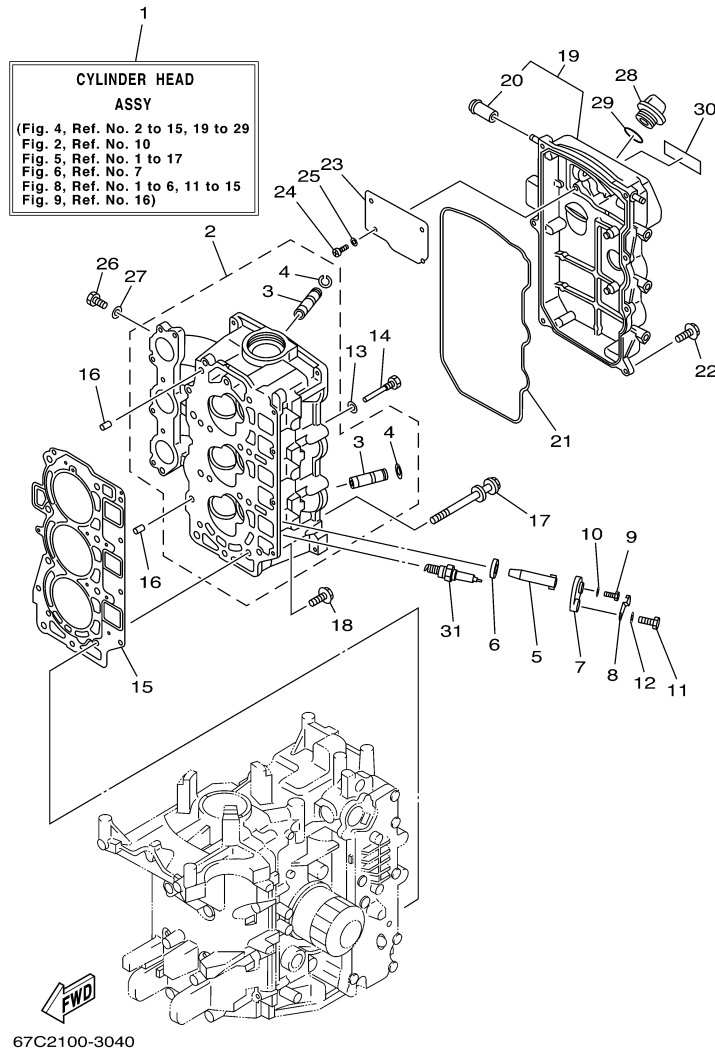
67C0010-0031

Part List

F30TLRB 2003 / CRANKSHAFT PISTON

REF - NO	PART NUMBER	PART NAME	QUANTITY	REMARKS
1	93102-43M42-00	.OIL SEAL	1	
2	93102-35M47-00	.OIL SEAL	1	
3	67C-11411-00-00	CRANKSHAFT	1	
4	62Y-11416-00-00	PLANE BEARING, CRANKSHAFT 1	8	UR BROWN
4	62Y-11416-20-00	PLANE BEARING, CRANKSHAFT 1	8	UR BLUE
4	62Y-11416-10-00	PLANE BEARING, CRANKSHAFT 1	8	UR BLACK
5	67C-11650-00-00	CONNECTING ROD ASSY	3	
6	62Y-11654-00-00	.BOLT, CONNECTING ROD	2	
7	62Y-11656-00-00	PLANE BEARING, CONNECTING ROD	6	UR BROWN
7	62Y-11656-20-00	PLANE BEARING, CONNECTING ROD	6	UR BLUE
7	62Y-11656-10-00	PLANE BEARING, CONNECTING ROD	6	UR BLACK
8	65W-11631-00-96	PISTON (STD)	3	
8	65W-11636-00-00	PISTON (0.50MM O/S)	3	AP
8	65W-11635-00-00	PISTON (0.25MM O/S)	3	AP
9	67C-11603-00-00	PISTON RING SET (STD)	3	
9	67C-11604-00-00	PISTON RING SET (0.25MM O/S)	3	AP
9	67C-11605-00-00	PISTON RING SET (0.50MM O/S)	3	AP
10	62Y-11633-00-00	PIN, PISTON	3	
11	93450-17129-00	CIRCLIP	6	

F30TLRB 2003 / CYLINDER CRANKCASE 2



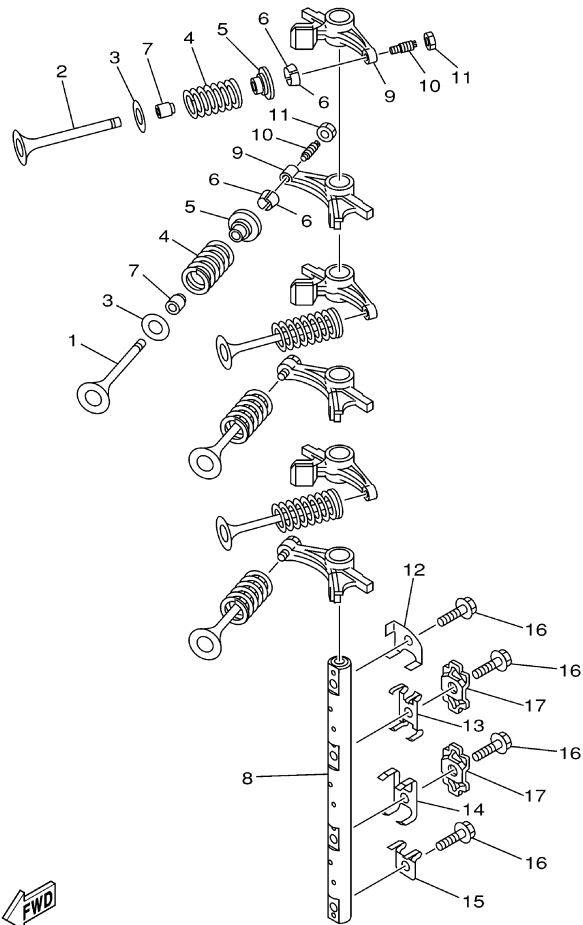
©2014 Yamaha Motor Corporation, U.S.A. All rights reserved.

Part List

F30TLRB 2003 / CYLINDER CRANKCASE 2

REF - NO	PART NUMBER	PART NAME	QUANTITY	REMARKS
1	67C-W009A-01-1S	CYLINDER HEAD COMPLETE	1	
2	67C-11111-03-1S	HEAD, CYLINDER 1	1	
3	62Y-11133-10-00	.GUIDE, VALVE 1	6	
4	93450-09M01-00	.CIRCLIP	6	
5	62Y-11325-00-00	ANODE	3	
6	66M-11328-00-00	GROMMET, ANODE	3	
7	66M-11327-00-94	COVER, ANODE	3	
8	66M-12535-00-00	PLATE	3	
9	97095-05012-00	BOLT	3	
10	92995-05600-00	WASHER	3	
11	97095-06020-00	BOLT	3	
12	92995-06600-00	WASHER	3	
13	90430-06014-00	.GASKET	1	
14	90109-06M65-00	BOLT	1	
15	67C-11181-01-00	.GASKET, CYLINDER HEAD 1	1	
16	99530-08012-00	PIN, DOWEL	2	
17	90119-09M00-00	BOLT, WITH WASHER	8	
18	90119-06MA3-00	BOLT, WITH WASHER	4	
19	67C-11191-00-1S	COVER, CYLINDER HEAD 1	1	
20	62Y-14485-00-00	.PIPE, JOINT	1	
21	67C-11356-00-00	.SEAL, CYLINDER 2	1	
22	97595-06520-00	BOLT, WITH WASHER	7	
23	67C-11168-00-00	COVER, BREATHER	1	
24	98507-04010-00	SCREW, PAN HEAD	4	
25	92907-04600-00	WASHER	4	
26	97095-06010-00	BOLT	3	
27	90430-06014-00	.GASKET	3	
28	6G8-15363-00-00	PLUG, OIL	1	
29	93210-24M79-00	.O-RING	1	
30	62Y-12138-40-00	MARK, CAUTION	1	
31	NGK-DPR6E-A9-00	PLUG, SPARK (NGK DPR6EA-9)	3	

F30TLRB 2003 / VALVE



67C1010-2050

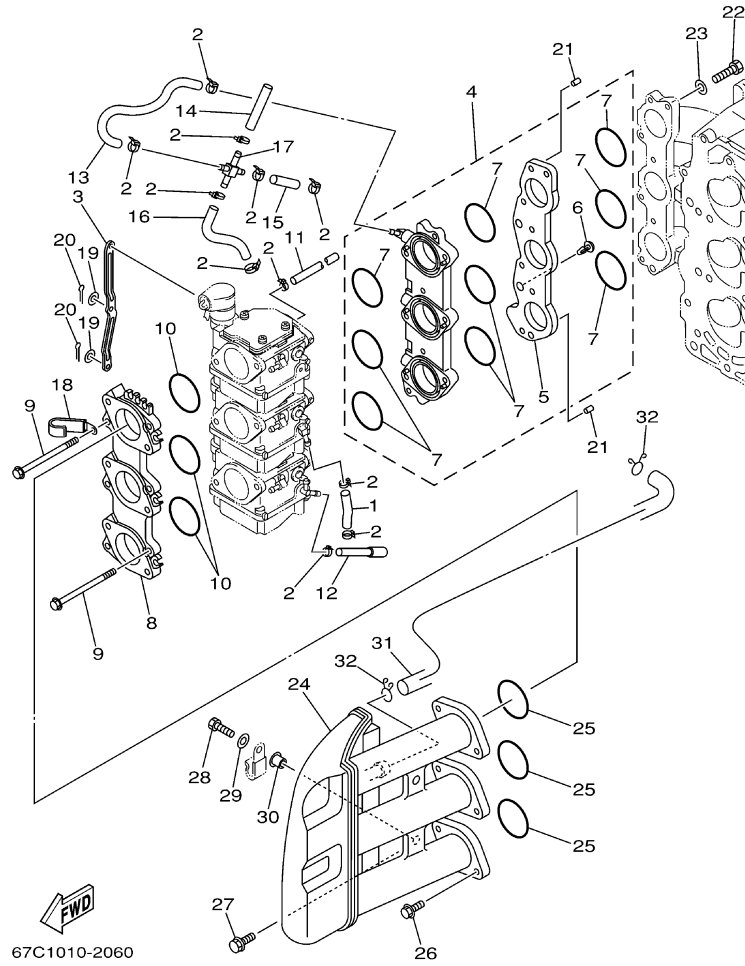
©2014 Yamaha Motor Corporation, U.S.A. All rights reserved.

Part List

F30TLRB 2003 / VALVE

REF - NO	PART NUMBER	PART NAME	QUANTITY	REMARKS
1	67C-12111-00-00	VALVE, INTAKE	3	
2	62Y-12121-00-00	VALVE, EXHAUST	3	
3	62Y-12116-00-00	SEAT, VALVE SPRING	6	
4	51Y-12114-00-00	SPRING, VALVE OUTER	6	
5	30X-12117-00-00	RETAINER, VALVE SPRING	6	
6	30X-12118-00-00	LOCK, VALVE SPRING RETAINER	12	
7	51Y-12119-00-00	SEAL, VALVE STEM	6	
8	67C-12146-00-00	SHAFT, ROCKER	1	
9	65W-12151-00-00	ARM, VALVE ROCKER	6	
10	62Y-12159-00-00	SCREW, VALVE ADJUSTING	6	
11	62Y-12158-00-00	NUT, LOCK	6	
12	64J-12238-00-00	PLATE, BOLT STOPPER	1	UR MH
12	62Y-12238-00-00	PLATE, BOLT STOPPER	1	UR ER/TR
13	64J-12279-00-00	PLATE	1	UR MH
13	62Y-12279-00-00	PLATE	1	UR ER/TR
14	62Y-12216-00-00	SPRING	1	
15	67C-12113-00-00	SPRING, VALVE INNER	1	
16	90109-08M63-00	BOLT	4	
17	62Y-12231-00-00	GUIDE, STOPPER 1	2	

F30TLRB 2003 / INTAKE



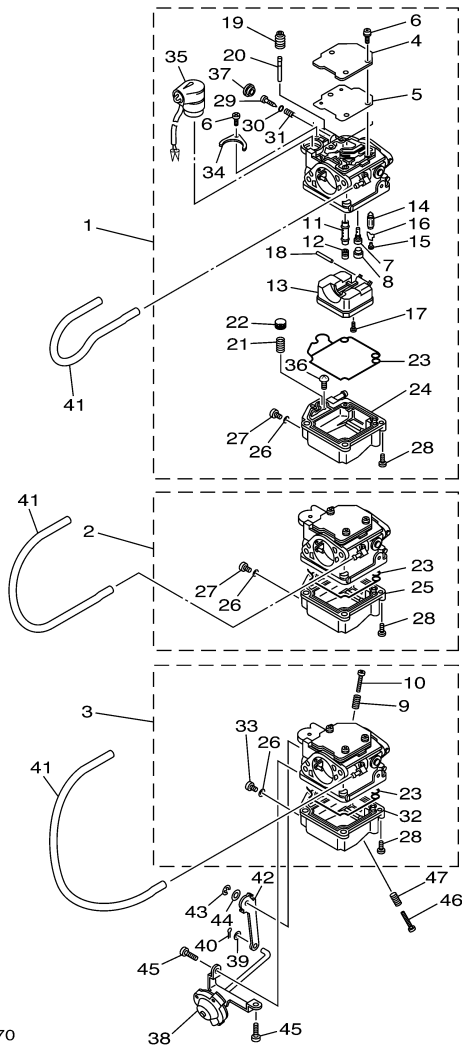
©2014 Yamaha Motor Corporation, U.S.A. All rights reserved.

Part List

F30TLRB 2003 / INTAKE

REF - NO	PART NUMBER	PART NAME	QUANTITY	REMARKS
1	90445-09M34-00	HOSE	1	
2	90465-11M10-00	CLAMP	11	
3	67C-14585-00-00	LINK, ACCEL.	1	
4	67C-13589-00-00	CARBURETOR JOINT COMP.	1	
5	67C-14271-00-00	.INSULATOR	1	
6	90338-04M17-00	.PLUG	2	
7	67C-14561-00-00	.O-RING	9	
8	67C-14243-01-94	PLATE	1	
9	97595-06590-00	BOLT, WITH WASHER	6	
10	67C-14562-00-00	.O-RING	3	
11	67C-13971-00-00	PIPE, FUEL 1	1	
12	67C-13972-00-00	PIPE, FUEL 2	1	
13	67C-13973-00-00	PIPE, FUEL 3	1	
14	67C-13974-00-00	PIPE, FUEL 4	1	
15	67C-13975-00-00	PIPE, FUEL 5	1	
16	67C-13976-00-00	PIPE, FUEL 6	1	
17	67C-14318-00-00	PIPE, JOINT 4	1	
18	67C-14255-00-00	CLAMP	1	
19	92990-04600-00	WASHER, PLATE	2	
20	91490-06012-00	PIN. COTTER	2	
21	93608-16M16-00	PIN, DOWEL	2	
22	97095-06025-00	BOLT	6	
23	92995-06600-00	WASHER	6	
24	67C-14440-00-00	SILENCER ASSY, INTAKE	1	
25	93210-34MJ6-00	.O-RING	3	
26	90119-06M82-00	BOLT, WITH WASHER	5	
27	90119-06M86-00	BOLT, WITH WASHER	1	
28	97095-06020-00	BOLT	2	
29	92995-06600-00	WASHER	2	
30	90387-06M70-00	COLLAR	2	
31	67C-15373-00-00	PIPE, BREATHER	1	
32	90467-15M14-00	CLIP	2	

F30TLRB 2003 / CARBURETOR



67C2100-3070


Part List

F30TLRB 2003 / CARBURETOR

REF - NO	PART NUMBER	PART NAME	QUANTITY	REMARKS
1	69H-14901-12-00	CARBURETOR ASSY 1	1	UR F30
2	69H-14902-12-00	CARBURETOR ASSY 2	1	UR F30
3	69H-14903-12-00	CARBURETOR ASSY 3	1	UR F30
4	65W-14572-00-00	.PLATE	3	
5	65W-14126-10-00	.GASKET	3	
6	97803-04010-00	.SCREW, PAN HEAD	13	
7	67C-14948-00-00	.JET (#40)	3	UR F30
8	679-14966-00-00	.RUBBER CAP	3	
9	90501-10326-00	.SPRING, COMPRESSION	1	#3
10	63V-14523-00-00	.SCREW, STOP	1	#3
11	69H-14947-00-00	.JET, NEEDLE	3	UR F30
12	69H-14943-22-00	.JET, MAIN (#88)	3	UR F30
13	63V-14985-00-00	.FLOAT	3	
14	6G1-14546-01-00	.VALVE, NEEDLE	3	
15	676-14186-00-00	.PIN, FLOAT	3	
16	663-14159-00-00	.CLIP	3	
17	98580-04008-00	.SCREW, PAN HEAD	3	
18	6H4-14548-00-00	.PIN, FLOAT ARM	3	
19	65W-14373-00-00	.COVER, PLUNGER CAP	3	
20	67C-14379-00-00	.ROD, STARTER	3	UR F30
21	65W-14335-00-00	.SPRING, PLUNGER	3	
22	67C-14371-00-00	.PLUNGER, STARTER	3	
23	65W-14384-00-00	.GASKET, FLOAT CHAMBER	3	
24	69H-14980-00-00	.BODY, FLOAT CHAMBER	1	UR F30-#1
25	69H-14981-00-00	.BODY, FLOAT CHAMBER	1	UR F30-#2
26	65W-14398-00-00	.GASKET	3	
27	65W-14992-00-00	.SCREW, DRAIN	2	#1,2
28	97980-04114-00	.SCREW, WITH WASHER	12	
29	67C-14923-00-00	.SCREW, PILOT	3	
30	67C-14397-00-00	.O-RING	3	
31	67C-14555-00-00	.SPRING	3	
32	69H-14982-00-00	.BODY, FLOAT CHAMBER	1	UR F30-#3
33	67C-14992-00-00	.SCREW, DRAIN	1	#3
34	65W-14346-00-00	.PLATE	1	
35	67C-14380-00-00	.PRIME STARTER ASSY	1	
36	67C-14567-00-00	.SCREW	3	
37	67C-1432A-00-00	.PLUG	1	UR F30
38	67C-14369-00-00	DIAPHRAGM ASSY 2	1	
39	92990-04600-00	WASHER, PLATE	1	
40	91490-06012-00	PIN. COTTER	1	
41	67C-13974-00-00	PIPE, FUEL 4	3	
42	67C-14974-00-00	LEVER, CONNECT	1	
43	67C-14356-00-00	CLIP	1	
44	67C-14398-00-00	WASHER	1	
45	67C-14325-00-00	SCREW, PAN HEAD	2	
46	67C-14245-00-00	SCREW, STOP	1	
47	67C-14242-00-00	SPRING	1	

Part Notes

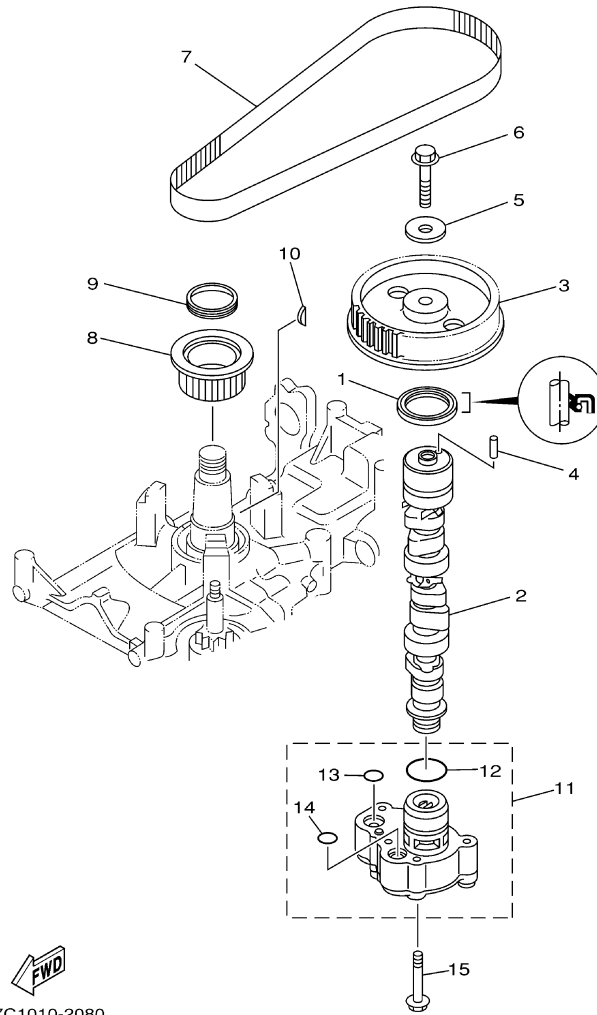
F30TLRB 2003 / CARBURETOR

PART NUMBER	NOTE TEXT
67C-14380-	 OEM: The O-Ring for sealing this part to the carburetor body is not shown separately. The Part Number for the O-Ring is 93210-17001-00.

00-00

©2014 Yamaha Motor Corporation, U.S.A. All rights reserved.

F30TLRB 2003 / OIL PUMP



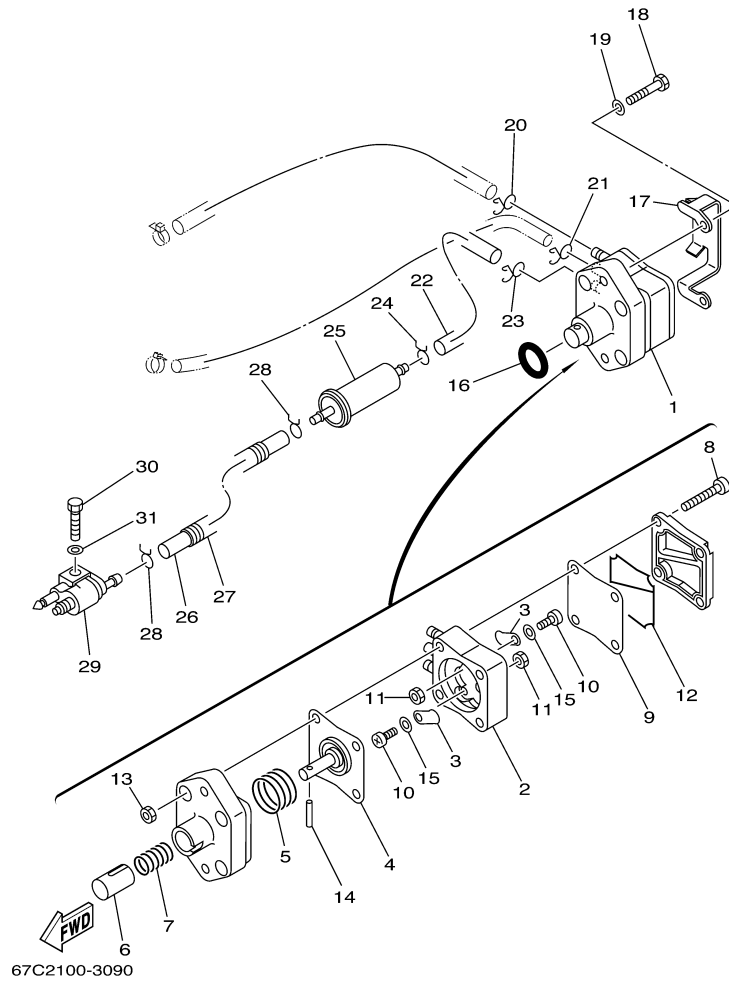
 67C1010-2080

Part List

F30TLRB 2003 / OIL PUMP

REF - NO	PART NUMBER	PART NAME	QUANTITY	REMARKS
1	93102-37M40-00	.OIL SEAL	1	
2	67C-12170-11-00	CAMSHAFT ASSY 1	1	UR MH
2	67C-12171-00-00	CAMSHAFT 1	1	UR ER/TR
3	67C-11537-01-00	GEAR, DRIVEN	1	
4	93605-14143-00	PIN, DOWEL	1	
5	90201-10M06-00	WASHER, PLATE	1	
6	95895-10040-00	BOLT, FLANGE	1	
7	65W-46241-00-00	V-BELT	1	
8	65W-11536-10-00	GEAR, DRIVE	1	
9	65W-11476-00-00	SPRING	1	
10	90280-04M06-00	KEY, WOODRUFF	1	
11	69W-13300-00-00	OIL PUMP ASSY	1	
12	93210-33MH2-00	.O-RING	1	
13	93210-12MG9-00	.O-RING	1	
14	93210-14515-00	.O-RING	1	
15	90119-06025-00	BOLT, WITH WASHER	4	

F30TLRB 2003 / FUEL 1



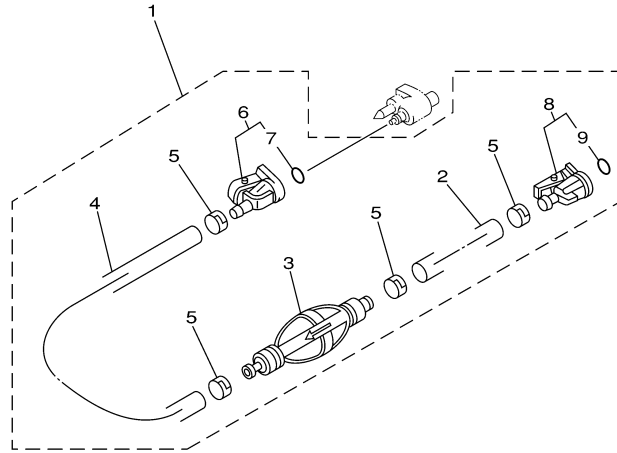
©2014 Yamaha Motor Corporation, U.S.A. All rights reserved.

Part List

F30TLRB 2003 / FUEL 1

REF - NO	PART NUMBER	PART NAME	QUANTITY	REMARKS
1	62Y-24410-03-00	FUEL PUMP ASSY	1	
2	62Y-24413-01-00	.BODY 2	1	
3	62Y-24421-01-00	.VALVE, CHECK	2	
4	62Y-24411-02-00	.DIAPHRAGM	1	
5	62Y-24423-00-00	.SPRING, DIAPHRAGM	1	
6	62Y-13131-01-00	.PLUNGER	1	
7	62Y-24454-00-00	.SPRING	1	
8	62Y-24444-01-00	.SCREW	4	
9	62Y-24471-00-00	.DIAPHRAGM	1	
10	6A0-14325-00-00	.SCREW, PAN HEAD	2	
11	95380-03600-00	.NUT	2	
12	62Y-24452-00-00	.PACKING	1	
13	95380-05600-00	.NUT	4	
14	62Y-24374-01-00	.PIN	1	
15	62Y-24422-00-00	.PLATE	2	
16	93210-24M79-00	.O-RING	1	
17	65W-24474-00-00	COVER	1	
18	97095-06030-00	BOLT	2	
19	92995-06600-00	WASHER	2	
20	90467-10M04-00	CLIP	1	
21	90467-09M17-00	CLIP	1	
22	90445-10MG6-00	HOSE (L180)	1	
23	90467-10M04-00	CLIP	1	
24	90467-09M03-00	CLIP	1	
25	65W-24251-00-00	STRAINER 1	1	
26	90445-10MH8-00	HOSE (L430)	1	
27	90446-14M12-00	HOSE	1	
28	90467-09M03-00	CLIP	2	
29	6G1-24304-02-00	FUEL PIPE JOINT COMP. 1	1	
30	97095-06025-00	BOLT	1	
31	92995-06600-00	WASHER	1	

F30TLRB 2003 / FUEL 2



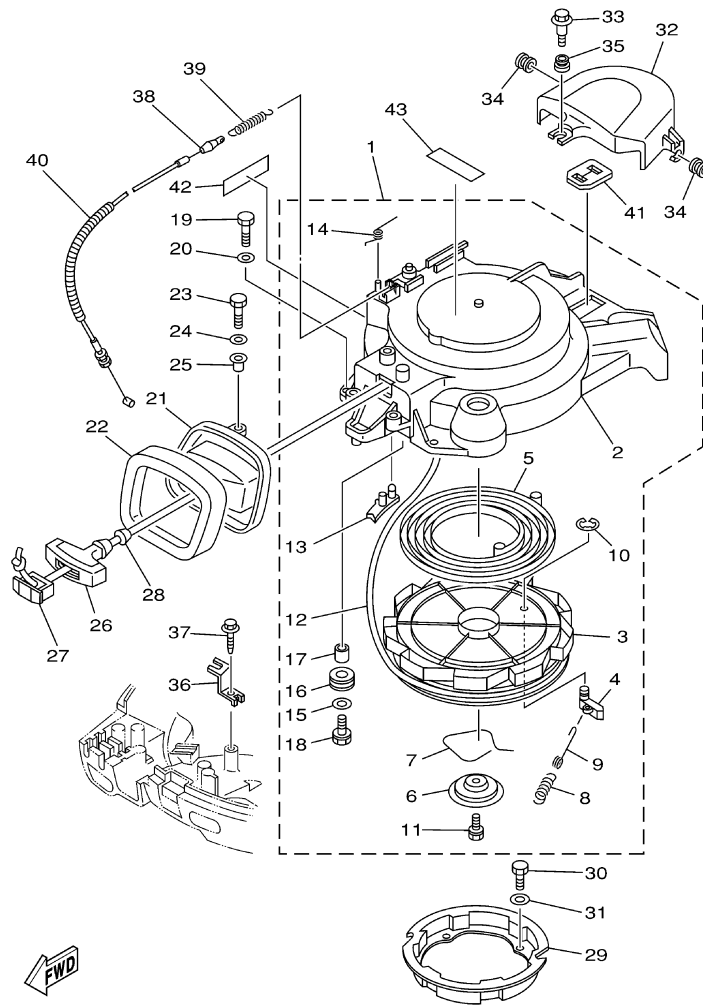
67C0100-0100

Part List

F30TLRB 2003 / FUEL 2

REF - NO	PART NUMBER	PART NAME	QUANTITY	REMARKS
1	6Y1-24306-53-00	FUEL PIPE COMP. 1	1	AP
2	90445-11M06-00	.HOSE (L2050)	1	
3	6Y1-24360-52-00	.PRIMER PUMP ASSY	1	
4	90445-11M05-00	.HOSE (L850)	1	
5	650-24351-51-00	.BAND 1	4	
6	6G1-24305-03-00	.FUEL PIPE JOINT COMP 2	1	
7	93210-08287-00	..O-RING	1	
8	6Y1-24305-04-00	.FUEL PIPE JOINT COMP 2	1	
9	93210-08287-00	..O-RING	1	

F30TLRB 2003 / STARTER



67C1110-2110

*12: CUT FROM 50M ROLLS, PART NO. 90890-44374. CUT TO 1.8M LENGTH.


Part List

F30TLRB 2003 / STARTER

REF - NO	PART NUMBER	PART NAME	QUANTITY	REMARKS
1	67C-15710-00-00	STARTER ASSY	1	MH
2	67C-15711-00-00	.CASE, STARTER	1	
3	66T-15714-00-00	.DRUM, SHEAVE	1	
4	63V-15741-00-00	.PAWL, DRIVE	1	
5	66T-15713-00-00	.SPRING, STARTER	1	
6	66T-15716-00-00	.PLATE, DRIVE	1	
7	66T-15705-00-00	.SPRING, DRIVE PAWL	1	
8	66T-15767-00-00	.SPRING	1	
9	66T-15784-00-00	.SPRING, RETURN	1	
10	63V-15744-00-00	.CIRCLIP	1	
11	63V-15768-00-00	.BOLT	1	
12	90890-44374-00	STARTER, ROPE 50M O/M	1	UNAVAILABLE - OBTAIN LOCALLY - CUT TO 1.8M
13	66T-15794-00-00	.STOPPER	1	
14	66T-15734-00-00	.SPRING, RETURN	1	
15	6F5-15791-00-00	.WASHER, LOCK	1	
16	6F5-15752-00-00	.ROLLER, WIRE	1	
17	6F5-15753-00-00	.BUSH	1	
18	97523-06425-00	.BOLT, WITH WASHER	1	
19	97095-06025-00	BOLT	4	MH
20	92995-06600-00	WASHER	4	MH
21	67C-15758-00-00	GUIDE, ROPE	1	MH
22	67C-15762-00-00	SEAL, RUBBER 2	1	MH
23	97095-06025-00	BOLT	3	MH
24	92995-06600-00	WASHER	3	MH
25	90387-06M89-00	COLLAR	3	MH
26	689-15755-01-00	.HANDLE, STARTER	1	MH
27	6F5-15779-02-00	.COVER	1	MH
28	6A0-15789-00-00	.DAMPER	1	MH
29	67C-15723-00-00	PULLEY, STARTER	1	MH
30	97095-06010-00	BOLT	4	MH
31	92995-06600-00	WASHER	4	MH
32	67C-46297-00-00	COVER, DUST	1	MH
33	90109-06MA1-00	BOLT	1	MH
34	90480-10M16-00	.GROMMET	2	MH
35	90480-12072-00	GROMMET	1	MH
36	66M-15774-00-00	STAY 4	1	MH
37	90109-06M86-00	BOLT	1	MH
38	67C-15770-00-00	CABLE COMP., STARTER STOP	1	MH
39	66T-15731-00-00	.SPRING, RETURN	1	MH
40	90446-10M86-00	HOSE (L140)	1	MH
41	65W-81639-10-00	PLATE, ARMATURE FITTING	1	MH
42	62Y-13437-41-00	MARK, CAUTION	1	MH
43	6A1-83625-41-00	MARK 5	1	MH

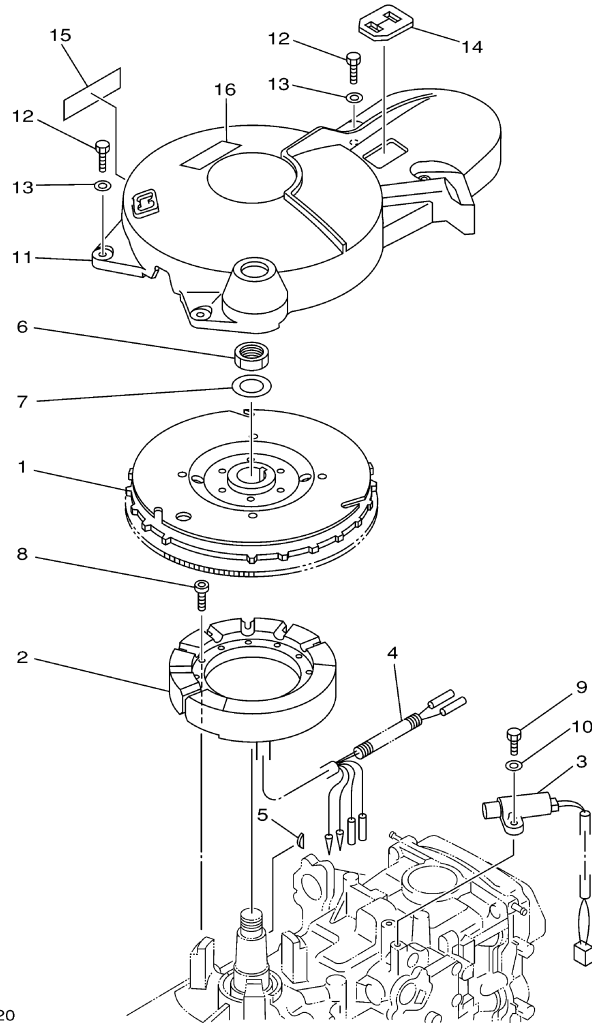
Part Notes

F30TLRB 2003 / STARTER

PART NUMBER	NOTE TEXT
90480-12072-00 	OEM: GROMMET used on F115TLR and F/LF115TXR 0410 Production and Earlier

©2014 Yamaha Motor Corporation, U.S.A. All rights reserved.

F30TLRB 2003 / GENERATOR




67C1110-2120

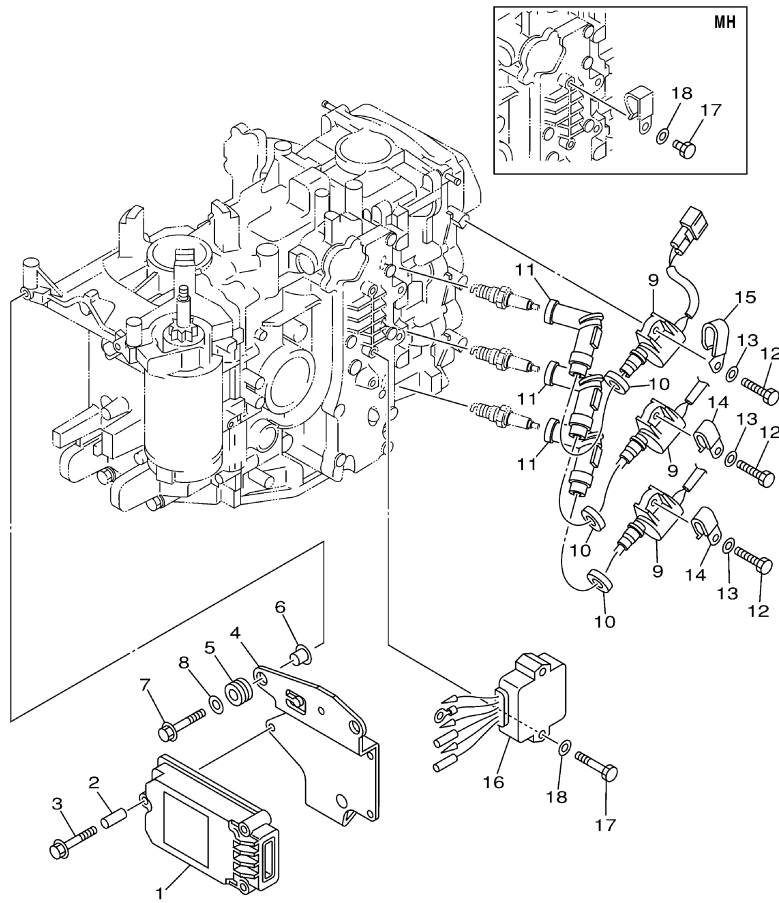
©2014 Yamaha Motor Corporation, U.S.A. All rights reserved.

Part List

F30TLRB 2003 / GENERATOR

REF - NO	PART NUMBER	PART NAME	QUANTITY	REMARKS
1	65W-85550-01-00	ROTOR ASSY	1	
2	65W-85510-10-00	STATOR ASSY	1	
3	65W-85580-00-00	COIL, PULSER	1	
4	90446-10M82-00	HOSE	1	
5	65W-11545-00-00	KEY, WOODRUFF	1	
6	90170-20137-00	NUT	1	
7	90201-21M18-00	WASHER, PLATE	1	
8	91380-05030-00	BOLT	3	
9	97095-05016-00	.BOLT	2	
10	92995-05600-00	WASHER	2	
11	67C-81337-00-00	COVER, FLYWHEEL	1	
12	97095-06025-00	BOLT	4	
13	92995-06600-00	WASHER	4	
14	65W-81639-10-00	PLATE, ARMATURE FITTING	1	ER/TR
15	62Y-13437-41-00	MARK, CAUTION	1	ER/TR
16	6A1-83625-41-00	MARK 5	1	ER/TR

F30TLRB 2003 / ELECTRICAL 1



67C0110-1130

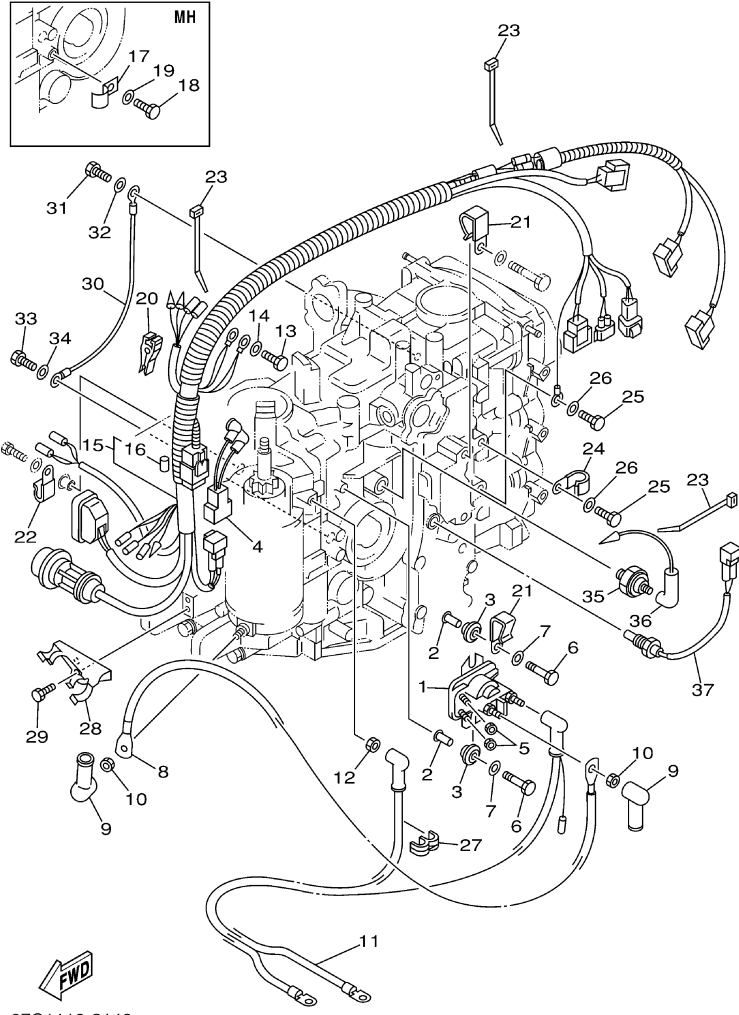
©2014 Yamaha Motor Corporation, U.S.A. All rights reserved.

Part List

F30TLRB 2003 / ELECTRICAL 1

REF - NO	PART NUMBER	PART NAME	QUANTITY	REMARKS
1	67C-85540-01-00	C.D.I. UNIT ASSY	1	
2	65W-86129-00-00	COLLAR	3	
3	65W-8252V-00-00	SCREW, SPECIAL	3	
4	67C-85542-00-00	BRACKET	1	
5	65W-85547-00-00	DAMPER	3	
6	65W-86129-10-00	COLLAR	3	
7	67C-8252V-00-00	BOLT, FLANGE (M6X25)	3	
8	67C-85554-00-00	WASHER, ROTOR	3	
9	67C-85570-00-00	IGNITION COIL ASSY	3	
10	90480-25161-00	GROMMET	3	
11	6G8-82370-30-00	PLUG CAP ASSY	3	
12	97095-06020-00	BOLT	3	
13	92995-06600-00	WASHER	3	
14	90465-06M90-00	CLAMP	2	
15	90465-06M88-00	CLAMP	1	
16	65W-81960-00-00	RECTIFIER & REGULATOR ASSY	1	ER/TR
17	97095-06040-00	.BOLT	2	UR ER/TR
17	97095-06012-00	BOLT	1	UR MH
18	92995-06600-00	WASHER	2	UR ER/TR
18	92995-06600-00	WASHER	1	UR MH

F30TLRB 2003 / ELECTRICAL 2



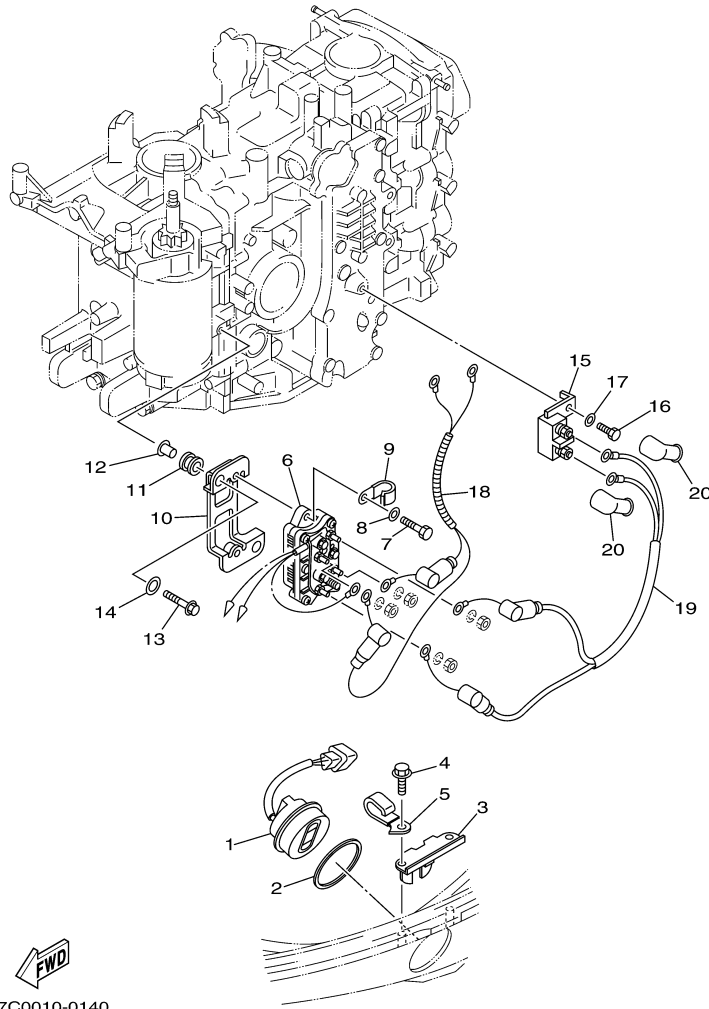
©2014 Yamaha Motor Corporation, U.S.A. All rights reserved.

Part List

F30TLRB 2003 / ELECTRICAL 2

REF - NO	PART NUMBER	PART NAME	QUANTITY	REMARKS
1	65W-81941-00-00	STARTER RELAY ASSY	1	ER/TR
2	65W-8191C-00-00	COLLAR	2	ER/TR
3	65W-81922-00-00	GROMMET	2	ER/TR
4	67C-82509-00-00	WIRE, SUB LEAD	1	ER/TR
5	65W-8182A-00-00	NUT	2	ER/TR
6	97095-06030-00	BOLT	2	ER/TR
7	92995-06600-00	WASHER	2	ER/TR
8	65W-82117-00-00	WIRE, LEAD	1	ER/TR
9	6G5-82119-10-00	COVER, LEAD WIRE	2	ER/TR
10	65W-8182B-00-00	NUT, SPECIAL	2	ER/TR
11	67C-82105-U0-00	BATTERY CABLE	1	ER/TR
12	65W-8182B-00-00	NUT, SPECIAL	1	ER/TR
13	97095-06012-00	BOLT	1	ER/TR
14	92995-06600-00	WASHER	1	ER/TR
15	67C-82590-20-00	WIRE HARNESS ASSY	1	UR TR
15	67C-82590-10-00	WIRE HARNESS ASSY	1	UR ER
15	67C-82590-00-00	WIRE HARNESS ASSY	1	UR MH
16	67F-82151-00-00	.FUSE (20A)	2	ER/EJR/TR
17	90465-08M63-00	CLAMP	1	MH
18	97095-06012-00	BOLT	1	MH
19	92995-06600-00	WASHER	1	MH
20	67F-2812A-00-00	.PULLER, FUSE	1	ER/TR
21	90465-05M87-00	CLAMP	2	
22	90465-06M90-00	CLAMP	1	
23	90465-13M18-00	CLAMP	3	
24	90465-08M75-00	CLAMP	1	
25	97095-06012-00	BOLT	3	
26	92995-06600-00	WASHER	3	
27	90464-10M57-00	CLAMP	1	ER/TR
28	67C-82594-00-00	CLAMP	1	ER/TR
29	97095-05012-00	BOLT	2	ER/TR
30	67C-82519-00-00	WIRE, EARTH LEAD	1	
31	97095-08012-00	BOLT	1	
32	92995-08600-00	WASHER	1	
33	97095-06012-00	BOLT	1	
34	92995-06600-00	WASHER	1	
35	65W-82504-00-00	OIL PRESSURE SWITCH ASSY	1	
36	65W-82127-00-00	WIRE, LEAD 2	1	
37	67C-85790-00-00	THERMOSENSOR ASSY	1	

F30TLRB 2003 / ELECTRICAL 3



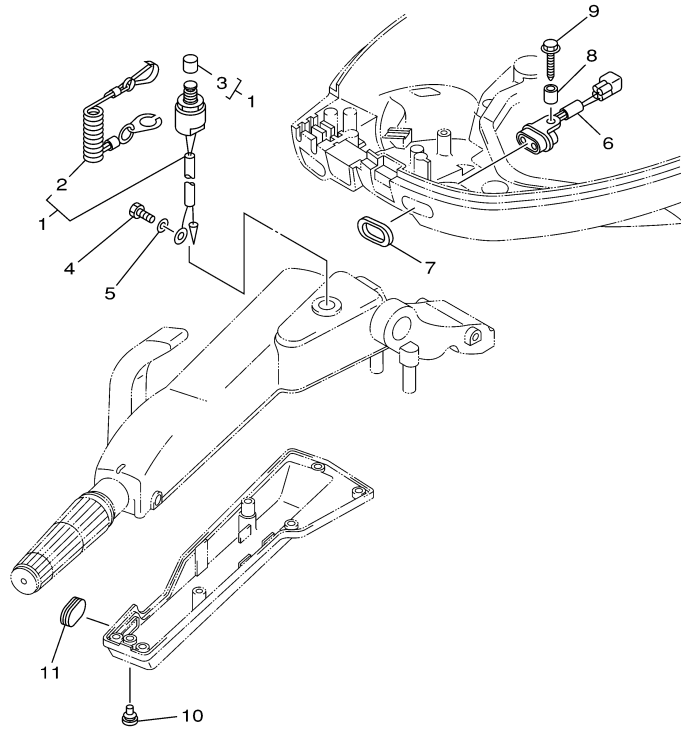
67C0010-0140

Part List

F30TLRB 2003 / ELECTRICAL 3

REF - NO	PART NUMBER	PART NAME	QUANTITY	REMARKS
1	63D-82563-10-00	TRIM & TILT SWITCH ASSY	1	TR
2	6E5-82587-00-00	GASKET	1	TR
3	62Y-83614-00-00	BRACKET	1	TR
4	90109-06M86-00	BOLT	2	TR
5	90465-06M88-00	CLAMP	1	TR
6	6H1-81950-00-00	RELAY ASSY	1	TR
7	97095-06020-00	BOLT	2	TR
8	92995-06600-00	WASHER	2	TR
9	90465-08M75-00	CLAMP	1	TR
10	67C-81948-00-00	BRACKET	1	TR
11	6A0-82317-00-00	DAMPER, IGNITION COIL	2	TR
12	624-42542-00-00	PIPE	2	TR
13	95895-06030-00	BOLT, FLANGE	2	TR
14	90201-12M16-00	WASHER, PLATE	2	TR
15	6H5-81920-00-00	TERMINAL ASSY	1	TR
16	97095-06012-00	BOLT	1	TR
17	92995-06600-00	WASHER	1	TR
18	67C-81949-00-00	WIRE, LEAD	1	TR
19	67C-81949-10-00	WIRE, LEAD	1	TR
20	6G5-82119-00-00	COVER, LEAD WIRE	2	TR

F30TLRB 2003 / ELECTRICAL 4




67C0100-0160


Part List

F30TLRB 2003 / ELECTRICAL 4

REF - NO	PART NUMBER	PART NAME	QUANTITY	REMARKS
1	6K5-82575-03-00	ENGINE STOP SWITCH ASSY	1	MH
2	682-82556-00-00	.LANYARD, STOP SWITCH	1	
3	689-8257Y-00-00	.CAP	1	
4	97095-06012-00	BOLT	1	MH
5	92995-06600-00	WASHER	1	MH
6	62Y-84301-00-00	PILOT LIGHT ASSY 1	1	MH
7	6H4-83589-00-00	GASKET	1	MH
8	90387-06M87-00	COLLAR	1	MH
9	90109-06MA2-00	BOLT	1	MH
10	90480-06M19-00	GROMMET	2	MH
11	67C-42726-00-00	GROMMET	1	MH

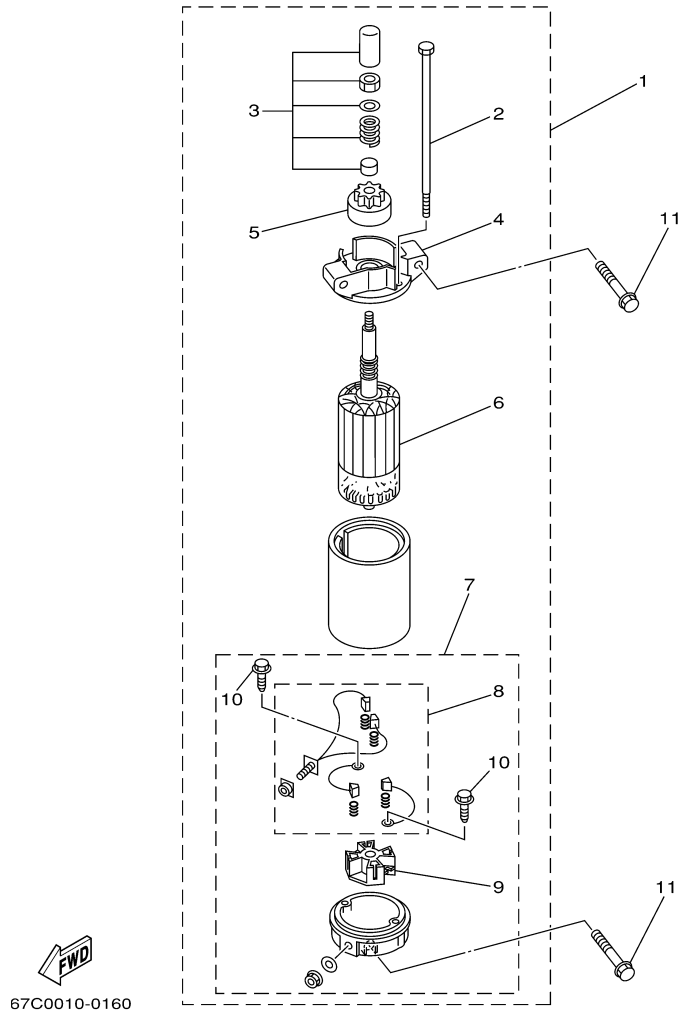
Part Notes

F30TLRB 2003 / ELECTRICAL 4

PART NUMBER	NOTE TEXT
682-82556-00-00 	OEM: This part number is among the Top 100 Most Popular Marine Maintenance Parts as of March 2014.

©2014 Yamaha Motor Corporation, U.S.A. All rights reserved.

F30TLRB 2003 / STARTING MOTOR



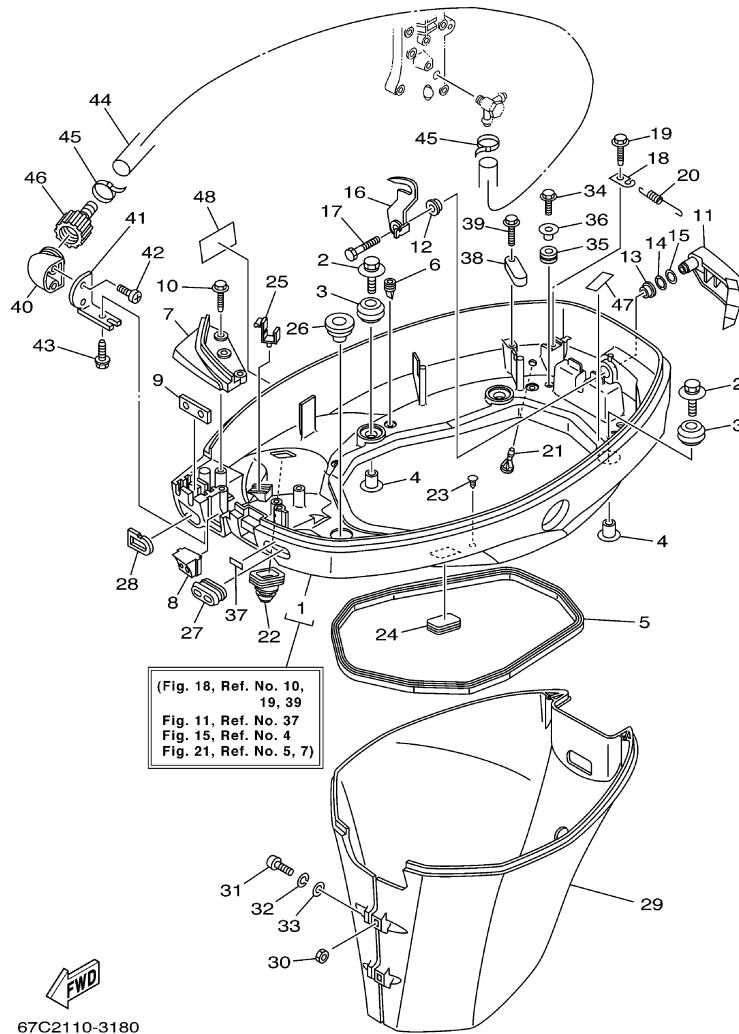
©2014 Yamaha Motor Corporation, U.S.A. All rights reserved.

Part List

F30TLRB 2003 / STARTING MOTOR

REF - NO	PART NUMBER	PART NAME	QUANTITY	REMARKS
1	67C-81800-00-00	STARTING MOTOR ASSY	1	ER/TR
2	67C-81826-00-00	.BOLT	2	
3	65W-81857-01-00	.RETAINER	1	
4	65W-81830-00-00	.FRONT BRACKET ASSY	1	
5	65W-81807-00-00	.GEAR ASSY, STARTING MOTOR	1	
6	67C-81850-00-00	.ARMATURE ASSY	1	
7	65W-81820-00-00	.REAR BRACKET ASSY	1	
8	65W-81801-00-00	..BRUSH SET	1	
9	65W-81840-00-00	..BRUSH HOLDER ASSY	1	
10	65W-81825-00-00	..SCREW	2	
11	90119-08M39-00	BOLT, WITH WASHER	3	ER/TR

F30TLRB 2003 / BOTTOM COWLING



©2014 Yamaha Motor Corporation, U.S.A. All rights reserved.


Part List

F30TLRB 2003 / BOTTOM COWLING

REF - NO	PART NUMBER	PART NAME	QUANTITY	REMARKS
1	67C-42710-02-4D	BOTTOM COWLING ASSY	1	UR MH/ER WITH TAPPING BOLT
1	67C-42710-12-4D	BOTTOM COWLING ASSY	1	UR TR WITH TAPPING BOLT
2	90119-06M08-00	BOLT, WITH WASHER	4	
3	90480-09M12-00	GROMMET	4	
4	90387-06060-00	COLLAR	4	
5	62Y-42716-00-00	RUBBER, SEAL 1	1	
6	65W-42717-00-00	RUBBER, SEAL 2	4	
7	67C-42738-00-4D	PLATE, FITTING	1	
8	62Y-42725-00-00	GROMMET	1	UR ER
8	67C-42725-00-00	GROMMET	1	UR MH
8	62Y-42725-30-00	GROMMET	1	UR TR
9	62Y-42727-00-00	GROMMET	1	
10	90109-06M81-00	BOLT	3	
11	67C-42815-00-4D	LEVER, CLAMP	1	
12	90386-12M37-00	BUSH	1	
13	90386-12MA2-00	BUSH	1	
14	90206-12052-00	WASHER, WAVE	1	
15	90201-12M07-00	WASHER, PLATE	1	
16	67C-42816-01-00	LEVER, CLAMP	1	
17	97095-06012-00	BOLT	1	
18	66T-43144-00-00	HOOK, SPRING	1	
19	90109-06M86-00	BOLT	1	
20	90506-18M40-00	SPRING, TENSION	1	
21	6H3-44391-01-00	NIPPLE, HOSE	1	
22	65W-42724-10-00	GROMMET	1	UR MH/ER
22	6H1-42726-20-00	GROMMET	1	UR TR
23	90338-07004-00	PLUG	1	
24	6H4-42726-00-00	GROMMET	1	
25	90464-09M13-00	CLAMP	1	
26	676-42727-00-00	GROMMET	1	
27	6H3-42727-00-00	GROMMET	1	
28	61N-24329-00-00	SEAL	1	
29	67C-42741-10-4D	APRON	1	UR L
29	67C-42741-00-4D	APRON	1	UR S
30	95380-06600-00	NUT, HEXAGON	2	
31	97880-06025-00	SCREW, PAN HEAD	2	
32	92990-06100-00	..WASHER, SPRING	2	
33	92990-06600-00	WASHER, PLATE	2	
34	90109-06M80-00	.BOLT	2	
35	90480-13M24-00	GROMMET	2	
36	90387-06M43-00	COLLAR	2	
37	67C-85415-00-00	MARK, SIGNAL LAMP	1	MH
38	6E5-82588-00-00	PLATE	1	
39	90109-06M81-00	BOLT	1	
40	68T-12572-00-00	ADAPTER	1	FLUSHING KIT
41	69W-12535-00-00	PLATE	1	FLUSHING KIT
42	90167-06002-00	SCREW, TAPPING	2	FLUSHING KIT
43	90109-06M80-00	.BOLT	1	FLUSHING KIT
44	67C-24312-00-00	PIPE 2	1	FLUSHING KIT
45	90465-11M10-00	CLAMP	2	FLUSHING KIT
46	6R3-12580-00-00	JOINT ASSY	1	FLUSHING KIT
47	62Y-82377-00-00	LABEL	1	
48	62Y-13444-40-00	MARK	1	

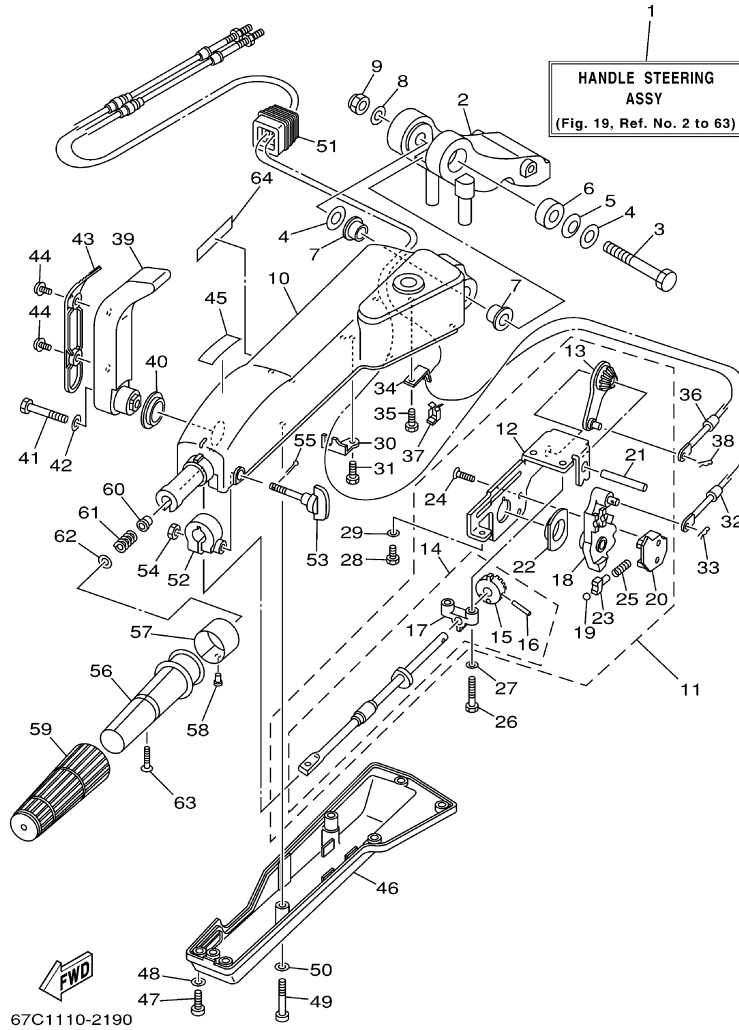
Part Notes

F30TLRB 2003 / BOTTOM COWLING

PART NUMBER		NOTE TEXT
92990-06600-00		OEM: This part number is among the Top 100 Most Popular Marine Maintenance Parts as of March 2014.

©2014 Yamaha Motor Corporation, U.S.A. All rights reserved.

F30TLRB 2003 / STEERING MH



©2014 Yamaha Motor Corporation, U.S.A. All rights reserved.

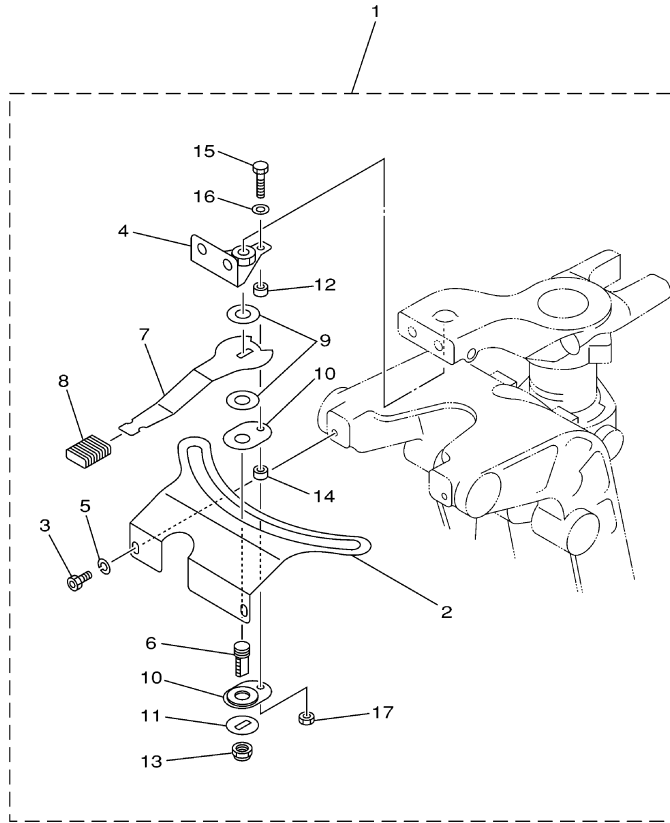
Part List

F30TLRB 2003 / STEERING MH

REF - NO	PART NUMBER	PART NAME	QUANTITY	REMARKS
1	69W-W0084-01-4D	HANDLE STEERING ASSY	1	
2	63D-42121-20-4D	BRACKET	1	
3	90101-12M09-00	BOLT	1	
4	92990-12200-00	WASHER, PLAIN	2	
5	90206-12M22-00	WASHER, WAVE	1	
6	90387-12M02-00	COLLAR	1	
7	90386-12M93-00	BUSH	2	
8	92990-12600-00	WASHER, PLATE	1	
9	90185-12M12-00	NUT, SELF-LOCKING	1	
10	67G-42111-00-4D	HANDLE, STEERING	1	
11	69W-44100-00-00	SHIFT LINK ASSY	1	
12	67C-44104-00-00	.PLATE COMP	1	
13	69W-48261-00-00	.ARM, THROTTLE	1	
14	69W-42115-00-00	.SHAFT, STEERING HANDLE	1	
15	650-42152-00-94	..GEAR	1	
16	91690-30025-00	..PIN, SPRING	1	
17	67G-42159-00-00	..STAY	1	
18	67C-44113-00-00	.CAM PLATE, HANDLE	1	
19	63D-48236-00-00	.ROLLER, DETENT	1	
20	67C-48119-00-00	.COVER	1	
21	67G-42153-00-00	.SHAFT, THROTTLE CONTROL	1	
22	67G-44132-00-00	.BUSHING	1	
23	63D-48237-00-00	.ADAPTER	1	
24	98785-05014-00	.SCREW, FLAT HEAD	2	
25	63D-48238-00-00	.SPRING, DETENT	1	
26	97095-06030-00	BOLT	2	
27	92995-06600-00	WASHER	2	
28	97095-06014-00	BOLT	1	
29	92995-06600-00	WASHER	1	
30	67G-48531-00-00	BRACEKT, REMOTE CONTROL 1	1	
31	97095-06014-00	BOLT	1	
32	67C-48321-00-00	CABLE	1	
33	90468-10005-00	CLIP	1	
34	69W-48538-00-00	CLAMP, CABLE 1	1	
35	97095-06014-00	BOLT	1	
36	69W-26301-00-00	THROTTLE CABLE ASSY	1	
37	63D-48538-00-00	CLAMP, CABLE 1	1	
38	90468-10005-00	CLIP	1	
39	67G-44159-00-4D	HANDLE, GEAR SHIFT	1	
40	90386-26MA3-00	BUSH	1	
41	97095-08040-00	BOLT	1	
42	92995-08600-00	WASHER	1	
43	67G-44173-00-00	LEVER, SHIFT CONTROL	1	
44	90159-06M18-00	SCREW, WITH WASHER	2	
45	6G8-44191-00-00	INDICATOR, SHIFT	1	
46	67G-42131-00-00	COVER, HANDLE STEERING	1	
47	97885-06016-00	SCREW, PAN HEAD	5	
48	92995-06600-00	WASHER	5	
49	97885-06040-00	SCREW, PAN HEAD	2	
50	92995-06600-00	WASHER	2	
51	63D-42725-00-00	GROMMET	1	
52	63D-42126-00-00	FRICTION, STEERING HANDLE GRIP	1	
53	63D-48154-00-00	KNOB, THROTTLE	1	

54	95380-06600-00	NUT, HEXAGON	1	
55	91490-20010-00	PIN. COTTER	1	
56	69W-42119-00-00	GRIP, STEERING HANDLE	1	
57	6J0-42137-00-00	INDICATOR, THROTTLE	1	
58	90269-02M09-00	RIVET	1	
59	6G1-42177-00-00	RUBBER, HANDLE	1	
60	90386-08032-00	BUSH	1	
61	90501-23215-00	SPRING, COMPRESSION	1	
62	92903-10600-00	WASHER, PLATE	1	
63	90149-05M13-00	SCREW	1	
64	6E0-83627-41-00	LABEL, CAUTION 7	1	

F30TLRB 2003 / STEERING FRICTION



67C1010-2190

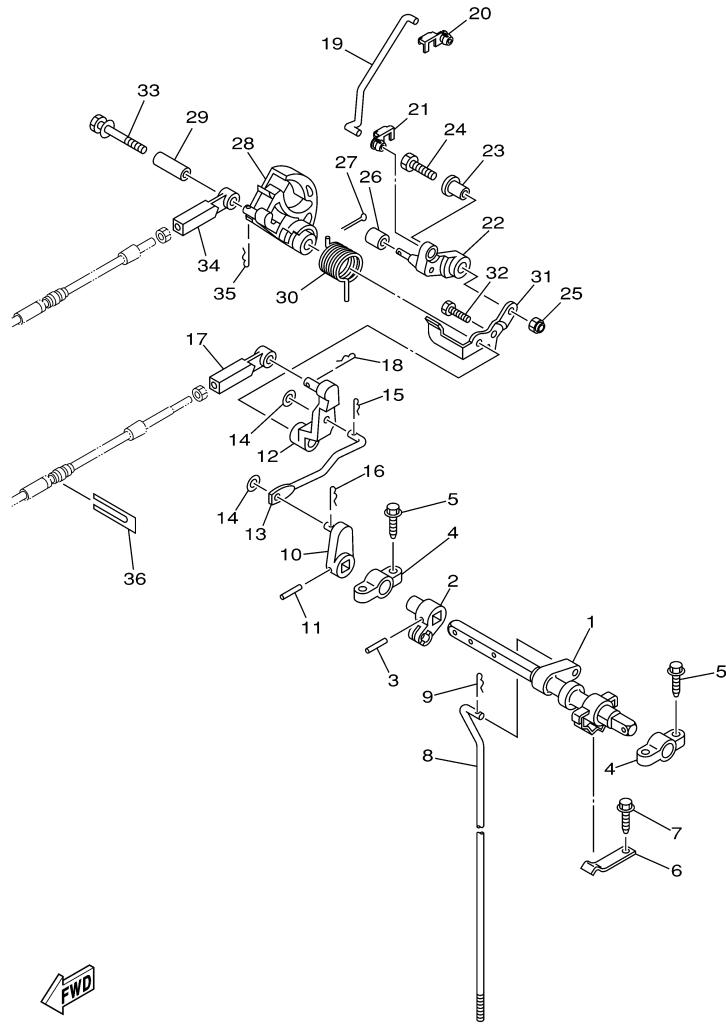
©2014 Yamaha Motor Corporation, U.S.A. All rights reserved.

Part List

F30TLRB 2003 / STEERING FRICTION

REF - NO	PART NUMBER	PART NAME	QUANTITY	REMARKS
1	67C-42508-01-00	STEERING FRICTION ASSEMBLY	1	MH
2	67C-42527-01-00	.PLATE, FRICTION	1	
3	90109-06M88-00	.BOLT	2	
4	67C-42525-00-00	.PLATE, FRICTION	1	
5	92990-06100-00	.WASHER, SPRING	2	
6	67C-42562-00-00	.SHAFT, STEERING LOCK	1	
7	67C-42561-00-00	.KNOB, STEERING LOCK	1	
8	689-43633-00-00	.COVER, TILT LEVER	1	
9	90202-10M56-00	.WASHER, PLATE	2	
10	65W-42528-00-00	.PLATE, FRICTION	2	
11	90209-10M26-00	.WASHER	1	
12	90387-05M05-00	.COLLAR	1	
13	90185-10M14-00	.NUT, SELF-LOCKING	1	
14	90387-05M11-00	.COLLAR	1	
15	97095-05020-00	.BOLT	1	
16	92995-05600-00	.WASHER	1	
17	95380-05600-00	.NUT	1	

F30TLRB 2003 / CONTROL




67C0100-0210

©2014 Yamaha Motor Corporation, U.S.A. All rights reserved.





Part List

F30TLRB 2003 / CONTROL

REF - NO	PART NUMBER	PART NAME	QUANTITY	REMARKS
1	67C-44121-00-00	LEVER, SHIFT ROD	1	
2	66M-44122-00-00	BUSHING, SHIFT ROD LEVER	1	
3	90254-03M05-00	PIN, SPRING	1	
4	6F5-41662-00-00	BRACKET 2	2	
5	90109-06M81-00	BOLT	4	
6	67C-44116-00-00	SPRING	1	
7	90109-06M86-00	BOLT	1	
8	67C-44143-10-00	ROD, SHIFT	1	UR L
8	67C-44143-00-00	ROD, SHIFT	1	UR S
9	90468-18008-00	CLIP	1	
10	65W-44142-00-00	.JOINT	1	
11	90254-03M05-00	PIN, SPRING	1	
12	67C-44125-00-00	LEVER, SHIFT ROD	1	
13	67C-44192-00-00	LINK, SHIFT ROD	1	
14	90201-05M06-00	.WASHER, PLATE	2	
15	90468-10005-00	CLIP	1	
16	90468-18008-00	CLIP	1	
17	67C-48344-00-00	CABLE END, REMOTE CONTROL	1	
18	90468-18008-00	CLIP	1	
19	67C-41241-00-00	ROD, LINK	1	
20	6E9-41237-00-00	JOINT, LINK	1	
21	6F5-41237-00-00	JOINT, LINK	1	
22	67C-41212-00-00	ARM, ACCEL.	1	
23	90387-06M29-00	COLLAR	1	
24	97095-06025-00	BOLT	1	
25	95780-06300-00	NUT, FLANGE	1	
26	62Y-42171-00-00	BUSHING	1	
27	91490-12010-00	PIN. COTTER	1	
28	67C-41213-20-00	CAM, ACCEL.	1	
29	90387-06M88-00	COLLAR	1	
30	90508-20M44-00	SPRING, TORSION	1	
31	67C-44117-00-00	BRACKET	1	
32	97095-06014-00	BOLT	1	
33	90119-06M91-00	BOLT, WITH WASHER	1	
34	67C-48344-00-00	CABLE END, REMOTE CONTROL	1	
35	90468-18008-00	CLIP	1	
36	62Y-48538-00-00	CLAMP, CABLE 1	1	

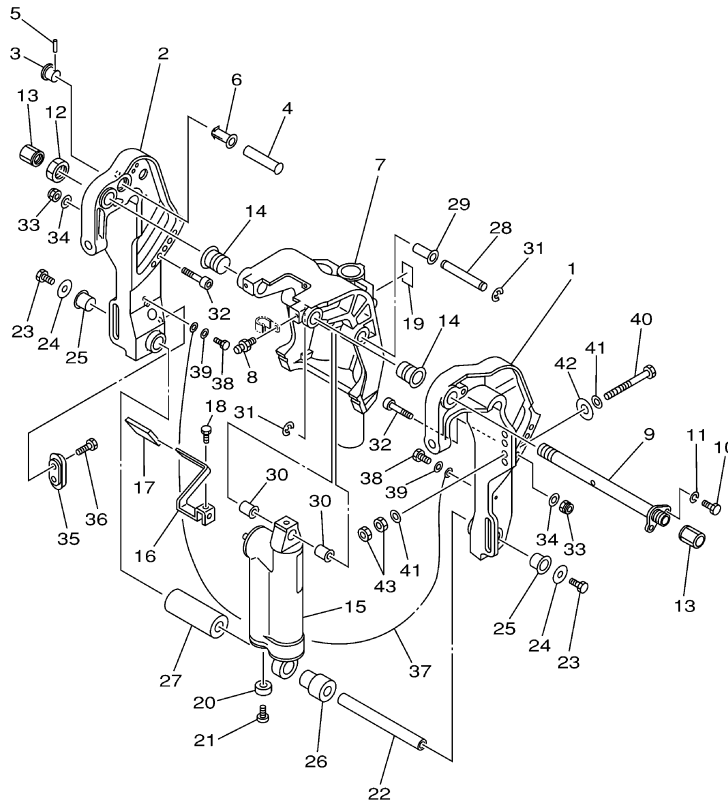
Part Notes

F30TLRB 2003 / CONTROL

PART NUMBER		NOTE TEXT
90468-18008-00		OEM: This part number is among the Top 100 Most Popular Marine Maintenance Parts as of March 2014.
90468-18008-00		OEM: This part number is among the Top 100 Most Popular Marine Maintenance Parts as of March 2014.
90468-18008-00		OEM: This part number is among the Top 100 Most Popular Marine Maintenance Parts as of March 2014.
90468-18008-00		OEM: This part number is among the Top 100 Most Popular Marine Maintenance Parts as of March 2014.

©2014 Yamaha Motor Corporation, U.S.A. All rights reserved.

F30TLRB 2003 / BRACKET 1 MH ER



67C0010-1221


Part List

F30TLRB 2003 / BRACKET 1 MH ER

REF - NO	PART NUMBER	PART NAME	QUANTITY	REMARKS
1	67C-43111-10-4D	BRACKET, CLAMP 1	1	
2	67C-43112-10-4D	BRACKET, CLAMP 2	1	
3	65W-43192-00-00	KNOB, STOPPER	1	
4	65W-43191-00-00	SHAFT, STOPPER	1	
5	91690-30018-00	PIN, SPRING	1	
6	90386-14MA1-00	BUSH	1	
7	67C-43311-10-4D	BRACKET, SWIVEL 1	1	UR L
7	67C-43311-00-4D	BRACKET, SWIVEL 1	1	UR S
8	93700-06M03-00	NIPPLE, GREASE	3	UR ER
8	93700-06M03-00	NIPPLE, GREASE	1	UR MH
9	6K9-43131-01-00	BOLT, CLAMP BRACKET	1	
10	97095-08020-00	BOLT	1	
11	92995-08100-00	WASHER	1	
12	90185-22M11-00	NUT, SELF-LOCKING	1	
13	6G5-43145-01-00	CAP, CLAMP BRACKET	2	
14	90386-22MA4-00	BUSH	2	
15	67C-43170-10-4D	SHOCK ABSORBER ASSY	1	UR L
15	67C-43170-00-4D	SHOCK ABSORBER ASSY	1	UR S
16	67C-43631-00-00	LEVER, TILT	1	
17	682-43318-01-00	COVER	1	
18	97095-06010-00	BOLT	1	
19	63D-43691-00-00	INDICATOR, TILT	1	
20	663-45251-00-00	ANODE	1	
21	98680-06525-00	SCREW, OVAL HEAD	1	
22	90249-18M35-00	PIN	1	
23	97080-08016-00	BOLT	2	
24	90201-08M00-00	WASHER, PLATE	2	
25	90386-18M44-00	BUSH	2	
26	90386-18MA5-00	BUSH	1	
27	90387-18M03-00	COLLAR	1	
28	90249-12M38-00	PIN	1	
29	90381-12M10-00	BUSH, SOLID	1	
30	90381-12M11-00	BUSH, SOLID	2	
31	93430-10M00-00	CIRCLIP	2	
32	90110-10M02-00	BOLT, HEXAGON SOCKET HEAD	2	
33	90185-10M13-00	NUT, SELF-LOCKING	2	
34	92995-10600-00	WASHER	2	
35	65W-45251-00-00	ANODE	1	
36	90101-06020-00	BOLT	2	
37	67C-82127-20-00	WIRE, LEAD 2	1	
38	97095-06014-00	BOLT	2	
39	92995-06600-00	WASHER	2	
40	90101-12M65-00	BOLT	4	
41	92995-12200-00	WASHER	8	
42	90201-12426-00	WASHER, PLATE	4	
43	95380-12600-00	NUT	8	

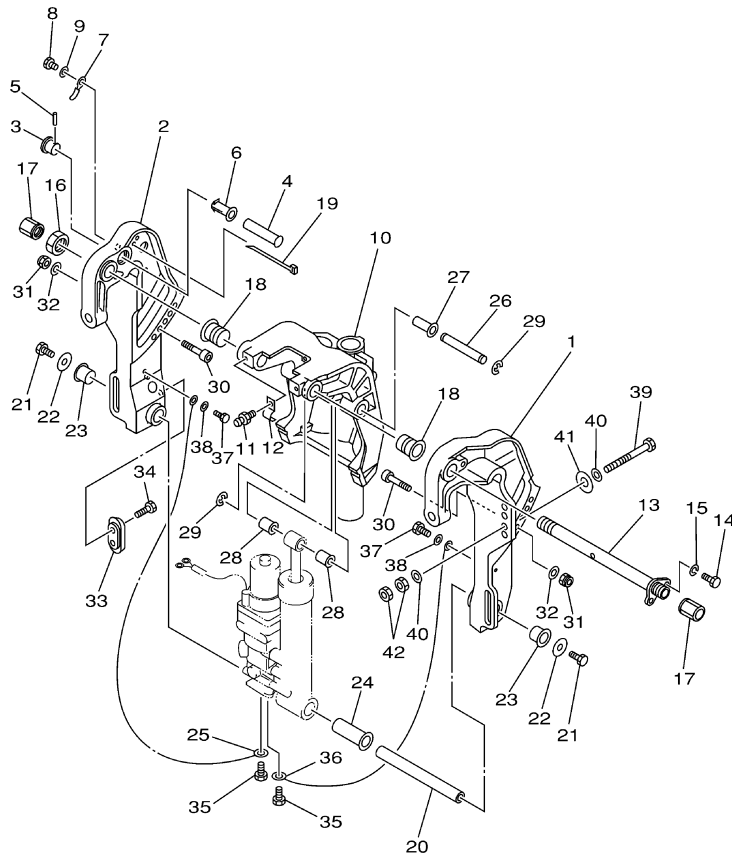
Part Notes

F30TLRB 2003 / BRACKET 1 MH ER

PART NUMBER	NOTE TEXT
65W-45251-00-00 	OEM: This part number is among the Top 100 Most Popular Marine Maintenance Parts as of March 2014.

©2014 Yamaha Motor Corporation, U.S.A. All rights reserved.

F30TLRB 2003 / BRACKET 2 TR



67C0010-1231

©2014 Yamaha Motor Corporation, U.S.A. All rights reserved.


Part List

F30TLRB 2003 / BRACKET 2 TR

REF - NO	PART NUMBER	PART NAME	QUANTITY	REMARKS
1	67C-43111-10-4D	BRACKET, CLAMP 1	1	
2	67C-43112-10-4D	BRACKET, CLAMP 2	1	
3	65W-43192-00-00	KNOB, STOPPER	1	
4	65W-43191-00-00	SHAFT, STOPPER	1	
5	91690-30018-00	PIN, SPRING	1	
6	90386-14MA1-00	BUSH	1	
7	90465-10M77-00	CLAMP	1	
8	97095-06014-00	BOLT	1	
9	92995-06600-00	WASHER	1	
10	67C-43311-10-4D	BRACKET, SWIVEL 1	1	L
11	93700-06M03-00	NIPPLE, GREASE	3	
12	90465-08M63-00	CLAMP	1	
13	6K9-43131-01-00	BOLT, CLAMP BRACKET	1	
14	97095-08020-00	BOLT	1	
15	92995-08100-00	WASHER	1	
16	90185-22M11-00	NUT, SELF-LOCKING	1	
17	6G5-43145-01-00	CAP, CLAMP BRACKET	2	
18	90386-22MA4-00	BUSH	2	
19	90465-13M11-00	CLAMP	2	
20	90249-18M35-00	PIN	1	
21	97080-08016-00	BOLT	2	
22	90201-08M00-00	WASHER, PLATE	2	
23	90386-18M44-00	BUSH	2	
24	90386-18MA0-00	BUSH	1	
25	6H1-82148-00-00	WIRE, LEAD 4	1	
26	90249-12M38-00	PIN	1	
27	90381-12M10-00	BUSH, SOLID	1	
28	90381-12M11-00	BUSH, SOLID	2	
29	93430-10M00-00	CIRCLIP	2	
30	90110-10M02-00	BOLT, HEXAGON SOCKET HEAD	2	
31	90185-10M13-00	NUT, SELF-LOCKING	2	
32	92995-10600-00	WASHER	2	
33	65W-45251-00-00	ANODE	1	
34	90101-06020-00	BOLT	2	
35	97085-06010-00	BOLT	2	
36	6U0-82127-00-00	WIRE, LEAD 2	1	
37	97095-06014-00	BOLT	2	
38	92995-06600-00	WASHER	2	
39	90101-12M65-00	BOLT	4	
40	92995-12200-00	WASHER	8	
41	90201-12426-00	WASHER, PLATE	4	
42	95380-12600-00	NUT	8	

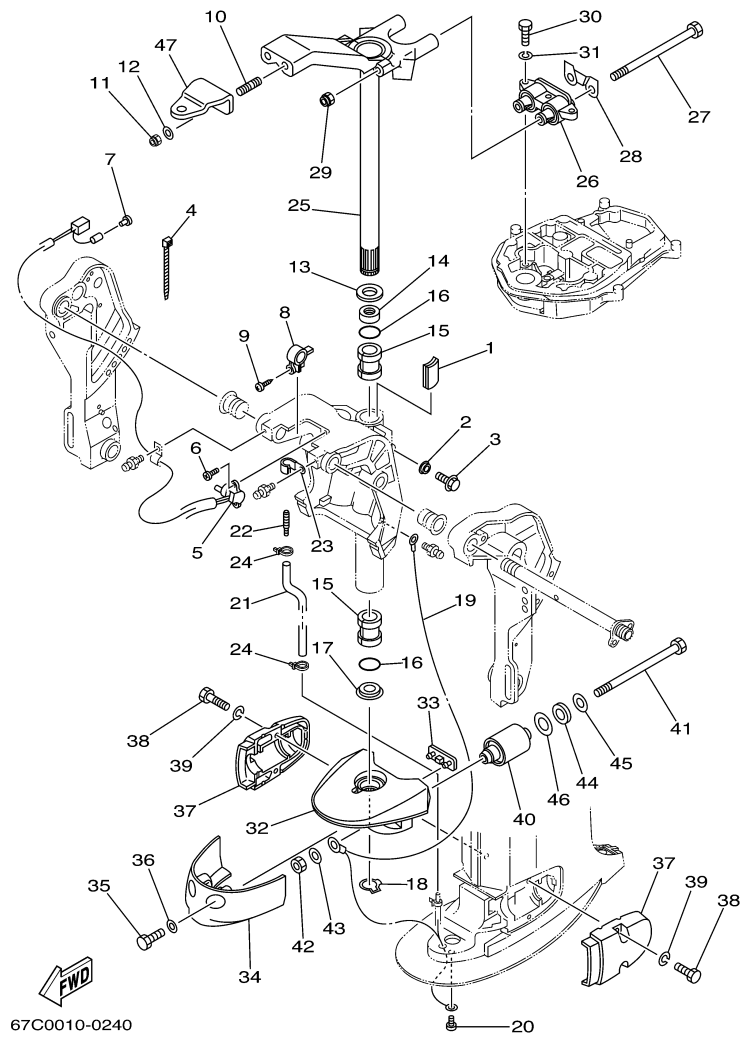
Part Notes

F30TLRB 2003 / BRACKET 2 TR

PART NUMBER	NOTE TEXT
65W-45251-00-00 	OEM: This part number is among the Top 100 Most Popular Marine Maintenance Parts as of March 2014.

©2014 Yamaha Motor Corporation, U.S.A. All rights reserved.

F30TLRB 2003 / BRACKET 3



©2014 Yamaha Motor Corporation, U.S.A. All rights reserved.

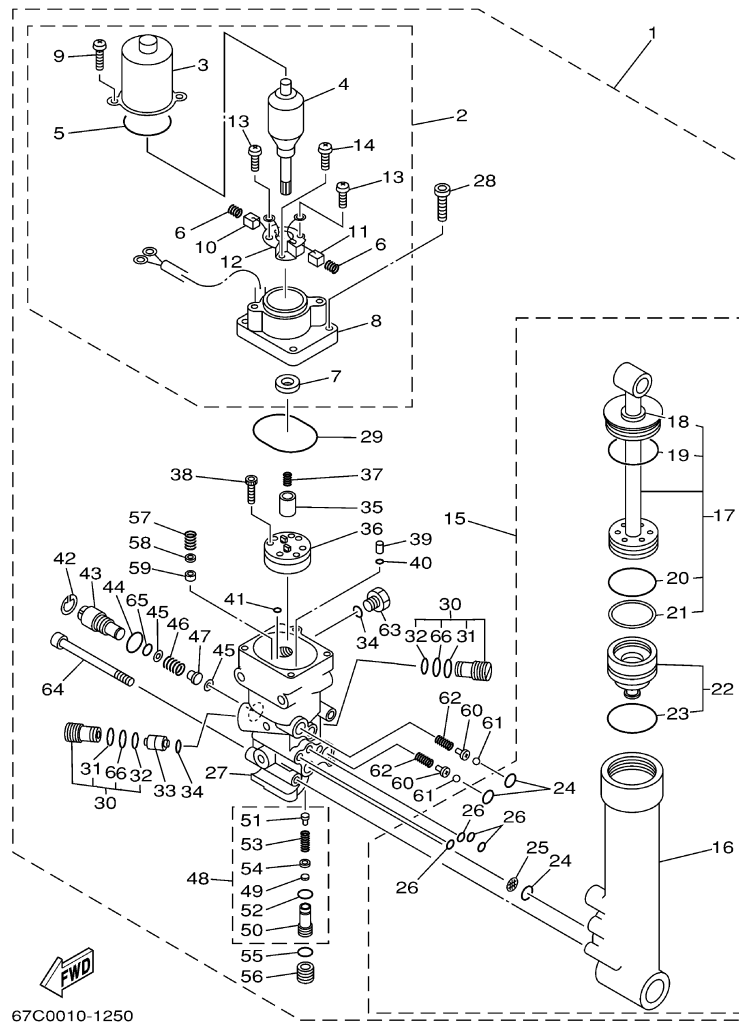
Part List

F30TLRB 2003 / BRACKET 3

REF - NO	PART NUMBER	PART NAME	QUANTITY	REMARKS
1	6J8-42528-00-00	PLATE, FRICTION	1	
2	689-43373-01-00	SEAL, DAMPER	1	
3	90105-06M18-00	BOLT, FLANGE	1	
4	90465-11M10-00	CLAMP	4	TR
5	64E-83672-02-00	TRIM SENDER	1	TR
6	97885-06016-00	SCREW, PAN HEAD	2	TR
7	703-82119-00-00	COVER, LEAD WIRE	1	TR
8	6K9-43139-01-00	CAM, TRIM SENDER	1	TR
9	97780-60525-00	SCREW, TAPPING	1	TR
10	90116-10M28-00	BOLT, STUD	2	
11	90185-10051-00	NUT, SELF-LOCKING	2	
12	92995-10600-00	WASHER	2	
13	90201-30M00-00	WASHER, PLATE	1	
14	90386-30M78-00	BUSH	1	
15	90386-30M77-00	BUSH	2	
16	93210-29M94-00	O-RING	2	
17	90386-30M60-00	BUSH	1	
18	93410-28M06-00	CIRCLIP	1	
19	67C-82127-10-00	WIRE, LEAD 2	1	UR L
19	67C-82127-00-00	WIRE, LEAD 2	1	UR S
20	97885-06008-00	SCREW, PAN HEAD	1	
21	90445-07M53-00	HOSE (L700)	1	UR L
21	90445-07MF1-00	HOSE (L570)	1	UR S
22	6E5-83558-00-00	END, NIPPLE	1	
23	90465-08M07-00	CLAMP	1	
24	90465-11M10-00	CLAMP	2	
25	67C-42510-10-4D	STEERING BRACKET ASSY	1	UR L
25	67C-42510-00-4D	STEERING BRACKET ASSY	1	UR S
26	67C-44514-10-4D	MOUNT DAMPER, UPPER SIDE	1	UR L
26	67C-44514-00-4D	MOUNT DAMPER, UPPER SIDE	1	UR S
27	90101-08M15-00	BOLT	2	
28	66T-44526-30-00	PLATE	1	
29	90185-08045-00	NUT, SELF-LOCKING	2	
30	97075-08030-00	BOLT	3	
31	92995-08100-00	WASHER	3	
32	67C-44551-01-4D	HOUSING, LOWER MOUNT RUBBER	1	UR S
32	67C-44551-10-4D	HOUSING, LOWER MOUNT RUBBER 1	1	UR L
33	67C-44575-00-00	DAMPER, LOWER MOUNT RUBBER	1	
34	67C-44553-00-4D	COVER, LOWER MOUNT	1	L
35	97095-08020-00	BOLT	2	L
36	92995-08600-00	WASHER	2	L
37	67C-44552-01-4D	HOUSING, LOWER MOUNT RUBBER	2	
38	97075-08030-00	BOLT	4	
39	92995-08100-00	WASHER	4	
40	67C-44555-11-94	MOUNT DAMPER, LOWER SIDE	2	UR L
40	67C-44555-21-94	MOUNT DAMPER, LOWER SIDE	2	UR S
41	90109-12MA3-00	BOLT	2	
42	95380-12700-00	NUT	2	
43	90201-12M16-00	WASHER, PLATE	4	

44	90202-21100-00	WASHER, PLATE	2	
45	90201-13M19-00	WASHER, PLATE	2	
46	90201-22M05-00	WASHER, PLATE	2	
47	65W-48511-00-00	HOOK, STEERING	1	ER/TR

F30TLRB 2003 / POWER TRIM TILT ASSY



©2014 Yamaha Motor Corporation, U.S.A. All rights reserved.

Part List



F30TLRB 2003 / POWER TRIM TILT ASSY

REF - NO	PART NUMBER	PART NAME	QUANTITY	REMARKS
1	67C-43800-00-4D	POWER TRIM & TILT ASSY	1	TR
2	67C-43880-00-00	..MOTOR ASSY	1	
3	65W-43804-00-00	..STATOR ASSY	1	
4	65W-43805-00-00	..ARMATURE ASSY	1	
5	65W-43869-00-00	..O-RING	1	
6	65W-4386K-00-00	..SPRING, BRUSH	2	
7	65W-43882-00-00	..OIL SEAL	1	
8	67C-43881-00-00	..FRAME, END	1	
9	65W-43887-00-00	..BOLT	2	
10	65W-43892-00-00	..BRUSH 2	1	
11	65W-43891-00-00	..BRUSH 1	1	
12	65W-4380F-00-00	..PLATE, BRUSH HOLDER	1	
13	65W-43879-00-00	..SCREW, WITH WASHER	2	
14	65W-4388E-00-00	..BOLT	1	
15	67C-43840-00-00	..POWER TILT ASSY	1	
16	65W-4380K-00-00	..CYLINDER, TILT SUB ASSY	1	
17	67C-43810-00-00	..TILT PISTON SUB ASSY	1	
18	65W-43812-00-00	...SEAL, DUST	1	
19	65W-43865-00-00	...O-RING	1	
20	6H1-43861-10-00	...O-RING	1	
21	65W-43871-00-00	...RING, BACK UP	1	
22	65W-4381B-00-00	..FREE PISTON SUB ASSY	1	
23	6H1-43861-10-00	...O-RING	1	
24	93210-11368-00	..O-RING	3	
25	6H1-43816-00-00	..FILTER 1	1	
26	93210-064A5-00	..O-RING	4	
27	67C-4380L-00-00	..HOUSING, TRIM & TILT SUB ASSY	1	
28	65W-43888-00-00	..BOLT, SOCKET	4	
29	93210-50768-00	..O-RING	1	
30	6T4-43802-03-00	..VALVE SUB ASSY	2	
31	6H1-43866-00-00	..O-RING	1	
32	6H1-43867-00-00	..O-RING	1	
33	62X-43841-00-00	..PISTON, SHUTTLE	1	
34	93210-09165-00	..O-RING	3	
35	65W-43831-00-00	..CONNECTOR, SHAFT	1	
36	65W-43830-00-00	..GEAR PUMP ASSY	1	
37	6T4-43853-00-00	..SPRING, MAIN VALVE	1	
38	91318-04025-00	..BOLT	4	
39	65W-43817-00-00	..FILTER 2	2	
40	65W-43861-00-00	..O-RING	2	
41	65W-43862-00-00	..O-RING	2	
42	6H1-43875-00-00	..RING, SNAP	1	
43	6H1-43845-00-00	..SCREW, MANUAL RELEASE	1	
44	93210-18397-00	..O-RING	1	
45	6H1-43847-00-00	..SEAT, MANUAL VALVE	2	
46	65W-43854-00-00	..SPRING, MANUAL RELEASE	1	
47	65W-4382A-00-00	..ADAPTOR 1	1	
48	CS2-43803-81-00	..CASE VALVE COMP	1	
49	6H1-4384G-11-00	..SEAL, RELIEF VALVE	1	
50	CS2-43851-80-00	..SEAT, RELIEF VALVE	1	
51	67F-43843-00-00	..SCREW, VALVE LOCK	1	
52	93210-10M74-00	..O-RING	1	
53	6H1-43856-10-00	..SPRING, DOWN RELIEF	1	

54	6H1-43844-10-00	..PIN, VALVE SUPPORT	1	
55	93210-11073-00	.O-RING	1	
56	65W-43843-00-00	.SCREW, VALVE LOCK	1	
57	6H1-43856-10-00	.SPRING, DOWN RELIEF	1	
58	6H1-43844-10-00	.PIN, VALVE SUPPORT	1	
59	6H1-4384F-10-00	.SEAL, MAIN VALVE	1	
60	65W-4386A-00-00	.PIN, ABSORBER VALVE	2	
61	93501-08001-00	.BALL	2	
62	65W-43853-00-00	.SPRING, MAIN VALVE	2	
63	6H1-43829-00-00	.PLUG, RESERVOIR	1	
64	62X-43878-00-00	.BOLT, SOCKET	3	
65	93210-10M74-00	.O-RING	1	
66	93210-10M74-00	..O-RING	1	

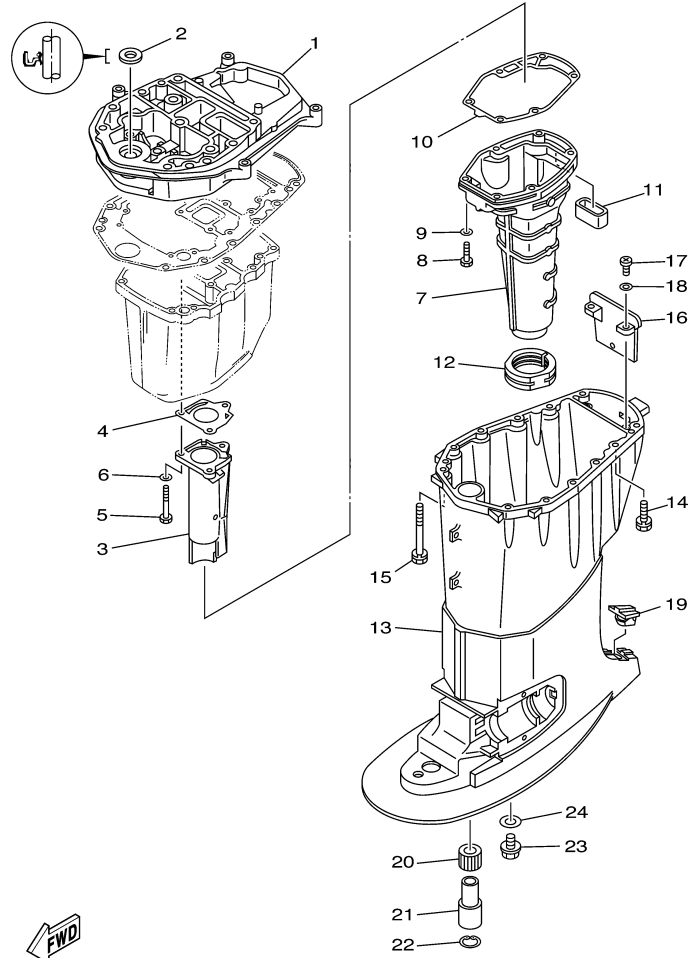
Part Notes

F30TLRB 2003 / POWER TRIM TILT ASSY

PART NUMBER		NOTE TEXT
6H1-43861-10-00		OEM: This part number is among the Top 100 Most Popular Marine Maintenance Parts as of March 2014.
6H1-43861-10-00		OEM: This part number is among the Top 100 Most Popular Marine Maintenance Parts as of March 2014.

©2014 Yamaha Motor Corporation, U.S.A. All rights reserved.

F30TLRB 2003 / UPPER CASING



67C2100-3260


Part List

F30TLRB 2003 / UPPER CASING

REF - NO	PART NUMBER	PART NAME	QUANTITY	REMARKS
1	67C-41137-01-94	GUIDE, EXHAUST	1	
2	93110-16004-00	.OIL SEAL	1	
3	67C-41131-00-5B	MANIFOLD, EXT. 1	1	
4	67C-41133-00-00	.GASKET, EXHAUST MANIFOLD 1	1	
5	97075-06050-00	BOLT	3	
6	92995-06600-00	WASHER	3	
7	67C-14711-12-5B	MUFFLER 1	1	UR L
7	67C-14711-00-5B	MUFFLER 1	1	UR S
8	97075-06025-00	BOLT	6	
9	92995-06600-00	WASHER	6	
10	62Y-41134-01-00	.GASKET, EXHAUST MANIFOLD	1	
11	62Y-45127-00-00	.SEAL	1	
12	67C-45123-00-00	.GASKET, MUFFLER	1	
13	67C-45111-21-4D	CASING, UPPER	1	UR L
13	67C-45111-00-4D	CASING, UPPER	1	UR S
14	90119-08M79-00	BOLT, WITH WASHER	4	
15	90119-08M82-00	BOLT, WITH WASHER	8	
16	67C-45151-00-00	COVER, UPPER CASING	1	
17	97880-05016-00	SCREW, PAN HEAD	2	
18	92990-05600-00	WASHER, PLATE	2	
19	63D-45155-00-00	CAP	1	UR S
19	6H3-45155-00-00	CAP	1	UR L
20	679-45318-00-00	BUSHING, DRIVE SHAFT	1	L
21	90387-23002-00	COLLAR	1	L
22	93420-36M01-00	CIRCLIP	1	L
23	90340-14M06-00	PLUG, STRAIGHT SCREW	1	L
24	90430-14M09-00	.GASKET	1	L

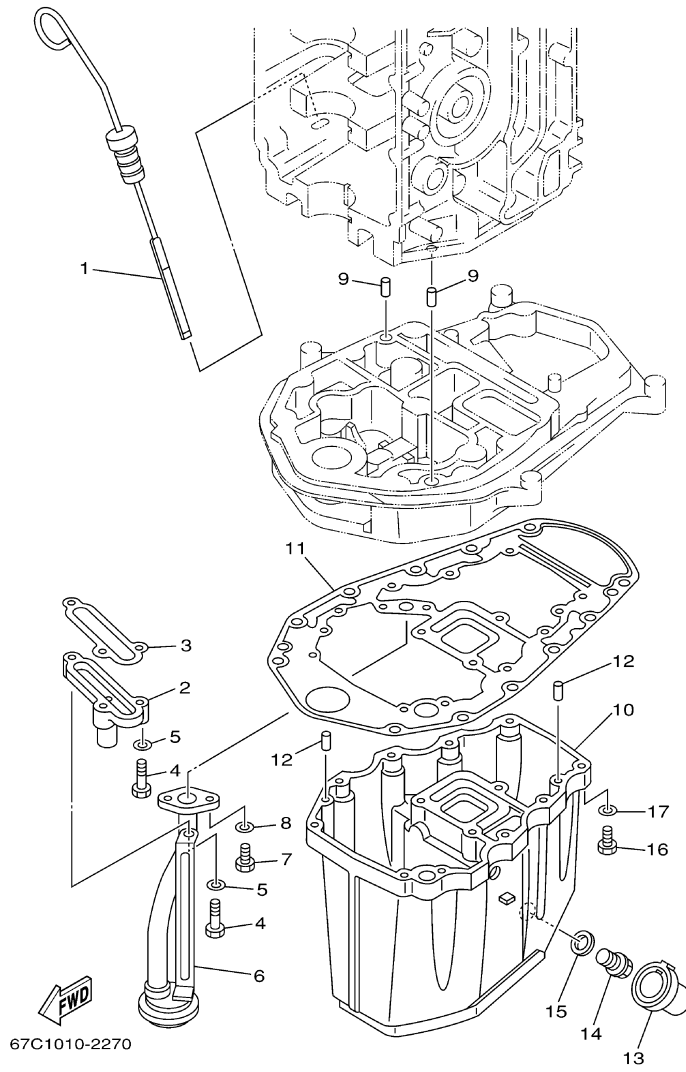
Part Notes

F30TLRB 2003 / UPPER CASING

PART NUMBER	NOTE TEXT
90430-14M09-00 	OEM: This part number is among the Top 100 Most Popular Marine Maintenance Parts as of March 2014.

©2014 Yamaha Motor Corporation, U.S.A. All rights reserved.

F30TLRB 2003 / OIL PAN



©2014 Yamaha Motor Corporation, U.S.A. All rights reserved.


Part List

F30TLRB 2003 / OIL PAN

REF - NO	PART NUMBER	PART NAME	QUANTITY	REMARKS
1	67C-15362-00-00	PLUG, OIL LEVEL	1	
2	62Y-11575-00-00	RELIEF VALVE ASSY	1	
3	62Y-13475-00-00	.GASKET	1	
4	97013-06025-00	BOLT	3	
5	92903-06600-00	WASHER, PLATE	3	
6	62Y-13411-00-00	STRAINER, OIL	1	
7	97013-06016-00	BOLT	2	
8	92903-06600-00	WASHER, PLATE	2	
9	93608-12M05-00	PIN, DOWEL	2	
10	62Y-15311-02-5B	OIL PAN	1	
11	69W-15312-00-00	.GASKET, OIL PAN	1	
12	93606-12019-00	.PIN, DOWEL	4	
13	67C-15316-00-00	DAMPER 1	1	UR L
13	67C-15316-10-00	DAMPER 1	1	UR S
14	90340-14M06-00	PLUG, STRAIGHT SCREW	1	
15	90430-14M09-00	.GASKET	1	
16	97075-06025-00	BOLT	10	
17	92995-06600-00	WASHER	10	

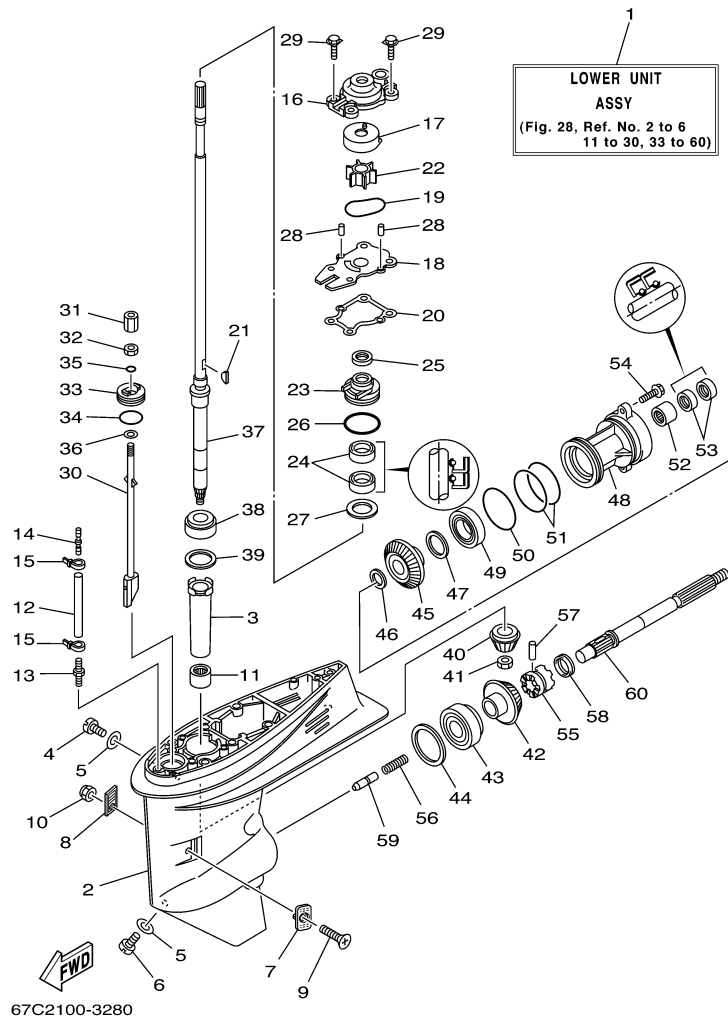
Part Notes

F30TLRB 2003 / OIL PAN

PART NUMBER	NOTE TEXT
90430-14M09-00 	OEM: This part number is among the Top 100 Most Popular Marine Maintenance Parts as of March 2014.

©2014 Yamaha Motor Corporation, U.S.A. All rights reserved.

F30TLRB 2003 / LOWER CASING DRIVE 1



©2014 Yamaha Motor Corporation, U.S.A. All rights reserved.

Part List




F30TLRB 2003 / LOWER CASING DRIVE 1

REF - NO	PART NUMBER	PART NAME	QUANTITY	REMARKS
1	67C-45300-11-4D	LOWER UNIT ASSY	1	UR L
1	67C-45300-01-4D	LOWER UNIT ASSY	1	UR S
2	67C-45301-00-4D	CASING, LOWER	1	
3	6H4-45536-00-00	SLEEVE, DRIVE SHAFT	1	
4	90340-08002-00	PLUG, STRAIGHT SCREW	1	
5	90430-08020-00	.GASKET	2	
6	688-45341-10-00	PLUG, DRAIN	1	
7	63D-45214-00-00	COVER, WATER INLET 1	1	
8	63D-45215-00-00	COVER, WATER INLET 2	1	
9	90142-05M06-00	SCREW, COUNTERSUNK	1	
10	95380-05600-00	NUT	1	
11	93315-32224-00	BEARING	1	
12	90445-07ME8-00	HOSE (L80)	1	
13	6E5-45378-00-00	NIPPLE, HOSE	1	
14	6E5-83558-10-00	END, NIPPLE	1	
15	90465-11M10-00	CLAMP	2	
16	66T-44311-00-00	HOUSING, WATER PUMP	1	
17	63D-44322-00-00	.INSERT, CARTRIDGE	1	
18	66T-44323-00-00	.OUTER PLATE, CARTRIDGE	1	
19	93210-59MG7-00	.O-RING	1	
20	63D-44316-00-00	.GASKET, WATER PUMP	1	
21	90280-03M03-00	.KEY, WOODRUFF	1	
22	6H4-44352-02-00	.IMPELLER	1	
23	63D-44341-00-00	HOUSING, WATER PUMP	1	
24	93101-22M60-00	.OIL SEAL	2	
25	66T-45344-01-00	COVER, OIL SEAL	1	
26	93210-48MG8-00	O-RING	1	
27	90201-27M00-00	WASHER, PLATE	1	
28	93604-08062-00	PIN, DOWEL	2	
29	90119-08M15-00	.BOLT, WITH WASHER	4	
30	67C-44150-10-00	SHIFT CAM ASSY	1	
31	67C-44146-00-00	CONNECTOR, SHIFT ROD	1	
32	95380-06700-00	NUT	1	
33	66T-45321-00-00	PLATE	1	
34	93210-33MG4-00	.O-RING	1	
35	93210-06ME6-00	.O-RING	1	
36	92990-06600-00	WASHER, PLATE	1	
37	67C-45501-10-00	DRIVE SHAFT COMP.	1	UR L
37	67C-45501-00-00	DRIVE SHAFT COMP.	1	UR S
38	93332-00001-00	BEARING	1	
39	663-45587-01-10	SHIM (T:0.10MM)	1	UR
39	663-45587-01-12	SHIM (T:0.12MM)	1	UR
39	663-45587-01-15	SHIM (T:0.15MM)	1	UR
39	663-45587-01-50	SHIM (T:0.50MM)	1	UR
39	663-45587-01-30	SHIM (T:0.30MM)	1	UR
39	663-45587-01-40	SHIM (T:0.40MM)	1	UR
39	663-45587-01-18	SHIM (T:0.18MM)	1	UR
40	66T-45551-00-00	PINION (13T)	1	
41	90170-12138-00	NUT	1	
42	66T-45560-01-00	GEAR 1 (26T)	1	
43	93332-00003-00	BEARING	1	
44	663-45567-01-10	SHIM (T:0.10MM)	1	UR
44	663-45567-01-12	SHIM (T:0.12MM)	1	UR
44	663-45567-01-15	SHIM (T:0.15MM)	1	UR

44	663-45567-01-50	SHIM (T:0.50MM)	1	UR
44	663-45567-01-30	SHIM (T:0.30MM)	1	UR
44	663-45567-01-40	SHIM (T:0.40MM)	1	UR
44	663-45567-01-18	SHIM (T:0.18MM)	1	UR
45	66T-45571-00-00	GEAR 2 (26T)	1	
46	90201-22429-00	WASHER, PLATE	1	
47	63D-45577-00-10	SHIM (T:0.10MM)	1	UR
47	63D-45577-00-12	SHIM (T:0.12MM)	1	UR
47	63D-45577-00-15	SHIM (T:0.15MM)	1	UR
47	63D-45577-00-50	SHIM (T:0.50MM)	1	UR
47	63D-45577-00-30	SHIM (T:0.30MM)	1	UR
47	63D-45577-00-40	SHIM (T:0.40MM)	1	UR
47	63D-45577-00-18	SHIM (T:0.18MM)	1	UR
48	63D-45361-02-4D	CAP, LOWER CASING	1	
49	93306-001U1-00	BEARING	1	
50	93210-69MG6-00	.O-RING	1	
51	93210-74MG5-00	.O-RING	2	
52	93317-22204-00	BEARING	1	
53	93101-22M00-00	.OIL SEAL	2	
54	90105-08M61-00	BOLT, FLANGE	2	
55	66T-45631-00-00	CLUTCH, DOG	1	
56	90501-18M01-00	SPRING, COMPRESSION	1	
57	90250-06023-00	PIN, STRAIGHT	1	
58	67C-45633-00-00	RING, CROSS PIN	1	
59	66T-45635-00-00	PLUNGER, SHIFT	1	
60	66T-45611-00-00	SHAFT, PROPELLER	1	

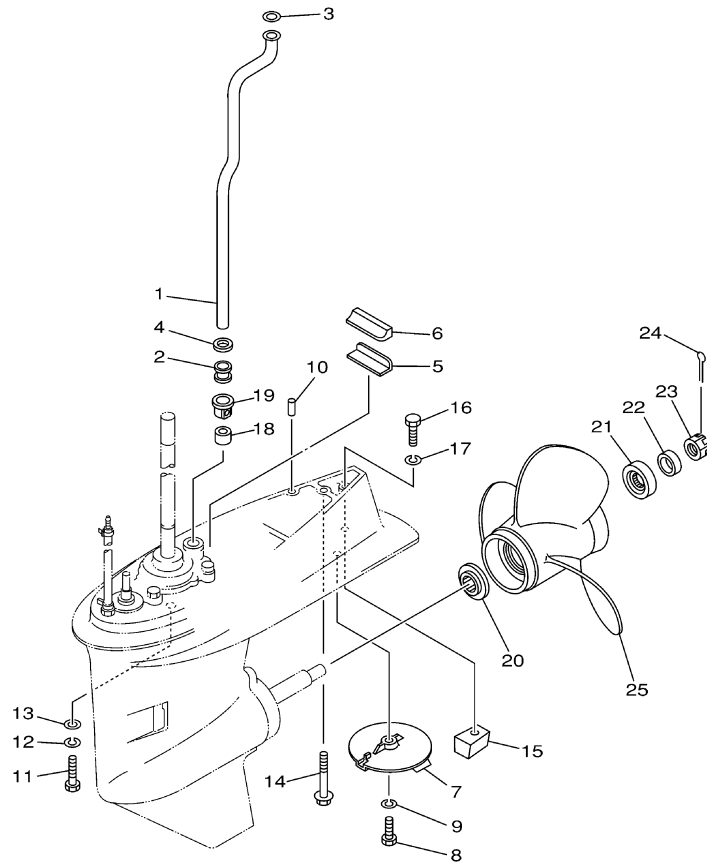
Part Notes

F30TLRB 2003 / LOWER CASING DRIVE 1

PART NUMBER		NOTE TEXT
90430-08020-00		OEM: This part number is among the Top 100 Most Popular Marine Maintenance Parts as of March 2014.
6H4-44352-02-00		OEM: This part number is among the Top 100 Most Popular Marine Maintenance Parts as of March 2014.
92990-06600-00		OEM: This part number is among the Top 100 Most Popular Marine Maintenance Parts as of March 2014.

©2014 Yamaha Motor Corporation, U.S.A. All rights reserved.

F30TLRB 2003 / LOWER CASING DRIVE 2




67C0010-0290

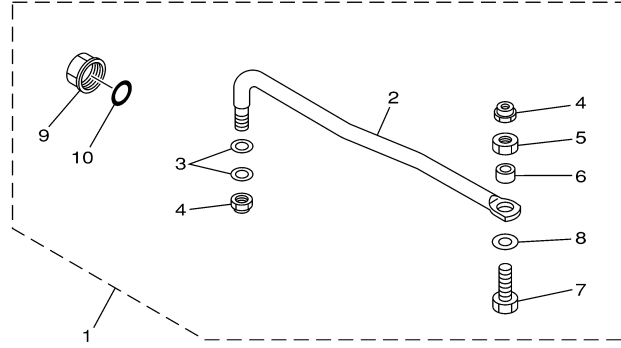
Part List

F30TLRB 2003 / LOWER CASING DRIVE 2

REF - NO	PART NUMBER	PART NAME	QUANTITY	REMARKS
1	67C-44361-00-00	TUBE, WATER 1	1	UR S
1	62Y-44361-00-00	TUBE, WATER 1	1	UR L
2	663-44367-00-00	DAMPER, WATER SEAL 3	1	
3	90202-12060-00	WASHER, PLATE	1	
4	90430-12072-00	GASKET	1	
5	663-45376-00-94	GUIDE, SEAL DAMPER	1	
6	63D-45375-00-00	DAMPER, SEAL	1	
7	67C-45371-00-00	TAB-TRIM	1	
8	97095-08025-00	BOLT	1	
9	92995-08100-00	WASHER	1	
10	93606-12019-00	.PIN, DOWEL	2	
11	97075-10040-00	BOLT	4	
12	92995-10100-00	WASHER	4	
13	92995-10600-00	WASHER	4	
14	90119-08M44-00	BOLT, WITH WASHER	1	
15	67C-45251-00-00	ANODE	1	
16	97095-08035-00	BOLT	1	
17	92995-08100-00	WASHER	1	
18	663-44366-00-00	.DAMPER, WATER SEAL 2	1	
19	63D-44312-00-00	.COVER, WATER PUMP HOUSING	1	
20	663-45987-02-00	SPACER 1	1	
21	66T-45997-00-00	SPACER 2	1	
22	90389-22M01-00	BUSH	1	
23	90171-16011-00	NUT, CASTLE	1	
24	91490-30025-00	PIN. COTTER	1	
25	663-45941-01-EL	PROPELLER (3X10-3/4"X17"-G)	1	UR
25	69W-45947-00-EL	PROPELLER (3X11-5/8"X11"-G)	1	UR
25	6H5-45945-00-EL	PROPELLER (3X10-5/8X12"-G)	1	UR WITH LIP CUP
25	663-45949-01-EL	PROPELLER (3X10-3/4"X16"-G)	1	UR
25	6H5-45952-00-EL	PROPELLER (3X10-3/8X13"-G)	1	UR WITH LIP CUP
25	663-45956-01-EL	PROPELLER (3X12-1/4"X9"-G)	1	UR
25	6H5-45958-00-EL	PROPELLER (3X10-1/4"X14"-G)	1	UR WITH LIP CUP
25	663-45970-60-98	PROPELLER (3X11-3/4"X12"-G)	1	UR
25	663-45972-60-98	PROPELLER (3X12"X11"-G)	1	UR
25	663-45974-60-98	PROPELLER (3X11-1/2"X13"-G)	1	UR
25	663-45976-00-98	PROPELLER (3X10-1/4"X15"-G)	1	UR
25	663-45978-00-98	PROPELLER (3X10-1/4"X16"-G)	1	UR
25	663-45930-00-98	PROPELLER (3X10-1/4"X14"-G)	1	UR
25	663-45958-01-EL	PROPELLER (3X11-1/4"X14"-G)	1	UR
25	663-45974-02-98	PROPELLER (3X10-5/8"X13"-G)	1	UR
25	663-45952-02-EL	PROPELLER (3X11-3/8"X12"-G)	1	UR
25	697-45970-00-98	PROPELLER (3X11-1/4"X14"-G)	1	UR
25	69W-45945-00-EL	PROPELLER (3X11-1/8"X13"-G)	1	UR

25	6H5-45943-00-EL	G) PROPELLER (3X10"X15"-G)	1	UR WITH LIP CUP
----	-----------------	-------------------------------	---	-----------------

F30TLRB 2003 / STEERING GUIDE



65W0010-8210

Part List

F30TLRB 2003 / STEERING GUIDE

REF - NO	PART NUMBER	PART NAME	QUANTITY	REMARKS
1	65W-61350-00-00	STEERING GUIDE ATTACHMENT KIT	1	AP ER/TR
2	65W-61351-00-00	.ROD, STEERING LINK	1	
3	90201-10M20-00	.WASHER, PLATE	2	
4	90185-09M01-00	.NUT, SELF-LOCKING	2	
5	90170-09M03-00	.NUT	1	
6	90387-10M42-00	.COLLAR	1	
7	90101-09M01-00	.BOLT	1	
8	90201-10M63-00	.WASHER, PLATE	1	
9	6E5-43145-01-00	.CAP, CLAMP BRACKET	1	
10	93210-16275-00	.O-RING	1	


Part List

F30TLRB 2003 / REPAIR KIT 1

REF - NO	PART NUMBER	PART NAME	QUANTITY	REMARKS
1	67C-W0001-01-00	POWER HEAD GASKET KIT	1	
2	90430-14115-00	.GASKET	1	
3	67C-11351-00-00	.GASKET, CYLINDER	1	
4	62Y-12414-00-00	.GASKET, COVER	1	
5	67C-41114-10-00	.GASKET, EXHAUST OUTER COVER	1	
6	93102-43M42-00	.OIL SEAL	1	
7	93102-35M47-00	.OIL SEAL	1	
8	90430-06014-00	.GASKET	4	
9	67C-11181-01-00	.GASKET, CYLINDER HEAD 1	1	
10	67C-11356-00-00	.SEAL, CYLINDER 2	1	
11	93210-24M79-00	.O-RING	2	
12	67C-14561-00-00	.O-RING	9	
13	67C-14562-00-00	.O-RING	3	
14	93210-34MJ6-00	.O-RING	3	
15	93102-37M40-00	.OIL SEAL	1	
16	90280-04M06-00	.KEY, WOODRUFF	1	
17	93210-33MH2-00	.O-RING	1	
18	93210-12MG9-00	.O-RING	1	
19	93210-14515-00	.O-RING	1	

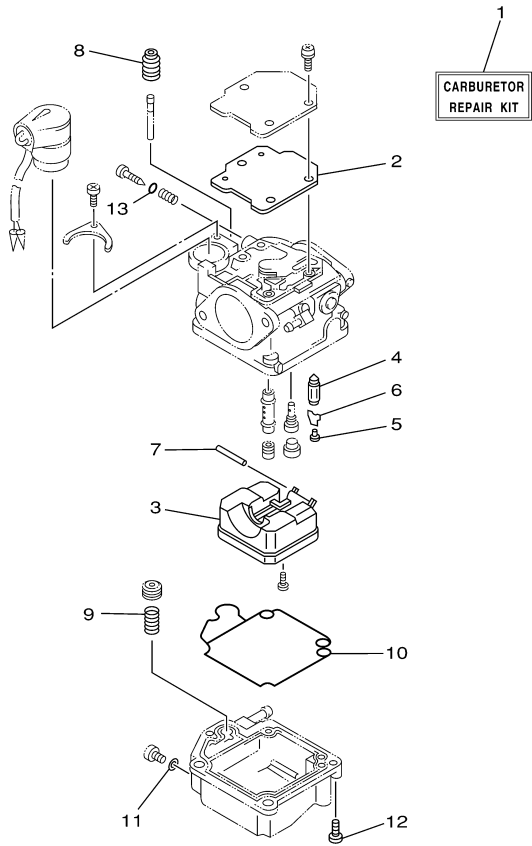
Part Notes

F30TLRB 2003 / REPAIR KIT 1

PART NUMBER	NOTE TEXT
62Y-12414-00-00 	OEM: This part number is among the Top 100 Most Popular Marine Maintenance Parts as of March 2014.

©2014 Yamaha Motor Corporation, U.S.A. All rights reserved.

F30TLRB 2003 / REPAIR KIT 2



67C0100-0360

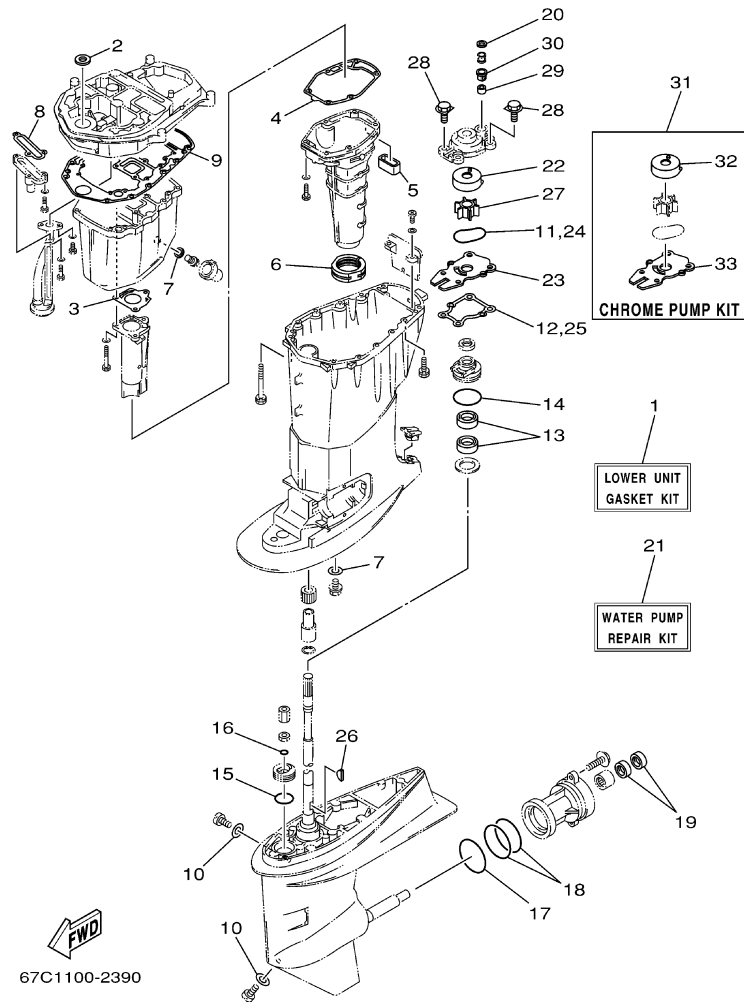
©2014 Yamaha Motor Corporation, U.S.A. All rights reserved.

Part List

F30TLRB 2003 / REPAIR KIT 2

REF - NO	PART NUMBER	PART NAME	QUANTITY	REMARKS
1	67C-W0093-00-00	CARBURETOR REPAIR KIT	1	
2	65W-14126-10-00	.GASKET	1	
3	63V-14985-00-00	.FLOAT	1	
4	6G1-14546-01-00	.VALVE, NEEDLE	1	
5	676-14186-00-00	.PIN, FLOAT	1	
6	663-14159-00-00	.CLIP	1	
7	6H4-14548-00-00	.PIN, FLOAT ARM	1	
8	65W-14373-00-00	.COVER, PLUNGER CAP	1	
9	65W-14335-00-00	.SPRING, PLUNGER	1	
10	65W-14384-00-00	.GASKET, FLOAT CHAMBER	1	
11	65W-14398-00-00	.GASKET	1	
12	97980-04114-00	.SCREW, WITH WASHER	4	
13	67C-14397-00-00	.O-RING	1	

F30TLRB 2003 / REPAIR KIT 3



©2014 Yamaha Motor Corporation, U.S.A. All rights reserved.




Part List

F30TLRB 2003 / REPAIR KIT 3

REF - NO	PART NUMBER	PART NAME	QUANTITY	REMARKS
1	67C-W0001-22-00	LOWER UNIT GASKET KIT	1	
2	93110-16004-00	.OIL SEAL	1	
3	67C-41133-00-00	.GASKET, EXHAUST MANIFOLD 1	1	
4	62Y-41134-01-00	.GASKET, EXHAUST MANIFOLD	1	
5	62Y-45127-00-00	.SEAL	1	
6	67C-45123-00-00	.GASKET, MUFFLER	1	
7	90430-14M09-00	.GASKET	2	
8	62Y-13475-00-00	.GASKET	1	
9	69W-15312-00-00	.GASKET, OIL PAN	1	
10	90430-08020-00	.GASKET	2	
11	93210-59MG7-00	.O-RING	1	
12	63D-44316-00-00	.GASKET, WATER PUMP	1	
13	93101-22M60-00	.OIL SEAL	2	
14	93210-48MG8-00	.O-RING	1	
15	93210-33MG4-00	.O-RING	1	
16	93210-06ME6-00	.O-RING	1	
17	93210-69MG6-00	.O-RING	1	
18	93210-74MG5-00	.O-RING	2	
19	93101-22M00-00	.OIL SEAL	2	
20	90430-12072-00	.GASKET	1	
21	66T-W0078-00-00	WATER PUMP REPAIR KIT	1	
22	63D-44322-00-00	.INSERT, CARTRIDGE	1	
23	66T-44323-00-00	.OUTER PLATE, CARTRIDGE	1	
24	93210-59MG7-00	.O-RING	1	
25	63D-44316-00-00	.GASKET, WATER PUMP	1	
26	90280-03M03-00	.KEY, WOODRUFF	1	
27	6H4-44352-02-00	.IMPELLER	1	
28	90119-08M15-00	.BOLT, WITH WASHER	4	
29	663-44366-00-00	.DAMPER, WATER SEAL 2	1	
30	63D-44312-00-00	.COVER, WATER PUMP HOUSING	1	
31	66T-W0078-0A-00	CHROME PUMP KIT	1	
32	63D-44322-40-00	.INSERT, CARTRIDGE	1	
33	66T-44323-40-00	.OUTER PLATE, CARTRIDGE	1	

Part Notes

F30TLRB 2003 / REPAIR KIT 3

PART NUMBER		NOTE TEXT
90430-14M09-00		OEM: This part number is among the Top 100 Most Popular Marine Maintenance Parts as of March 2014.
90430-08020-00		OEM: This part number is among the Top 100 Most Popular Marine Maintenance Parts as of March 2014.
6H4-44352-02-00		OEM: This part number is among the Top 100 Most Popular Marine Maintenance Parts as of March 2014.

©2014 Yamaha Motor Corporation, U.S.A. All rights reserved.

F30TLRB 2003 / MODELS IN THIS CATALOG

F30TLRB (69H3)	Engine Serial No. (F30TLRB): 69HL-1000039 and following
F40TLRB (67C2)	Engine Serial No. (F40TLRB): 67CL-1000086 and following
F40MSHB(67C2)	Engine Serial No. (F40MSHB): 67CS-1002171 and following
F40MLHB (67C2)	Engine Serial No. (F40MLHB): 67CL-1000224 and following
F40ESRB (67C2)	Engine Serial No. (F40ESRB): 67CS-1000224 and following
F40MJHB (67C2)	Engine Serial No. (F40MJHB): 67CS-1000655 and following
F40EJRB (67C2)	Engine Serial No. (F40EJRB): 67CS-1001413 and following

**ALL THESE MODELS USE THIS SAME PARTS CATALOG.
BE SURE TO ORDER ONLY THOSE PARTS APPLICABLE
TO THE DESIRED MODEL.**

©2014 Yamaha Motor Corporation, U.S.A. All rights reserved.