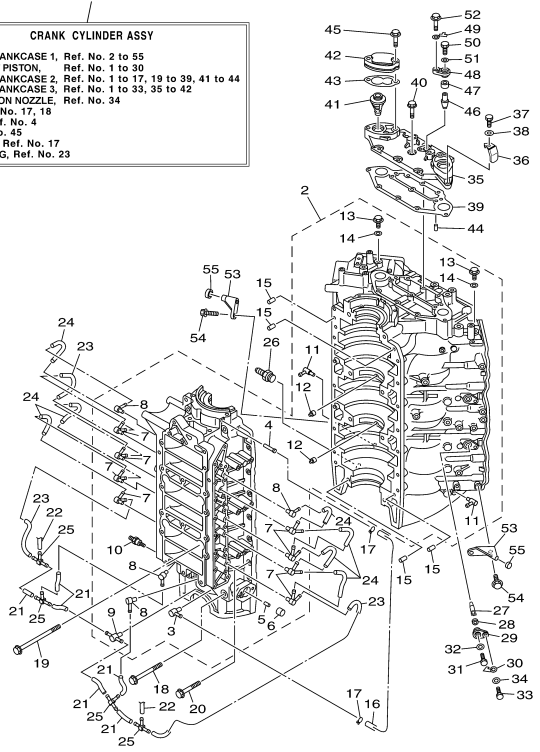


## Part List

LZ300TXRD 2005 / TOP COWLING

| REF<br>-<br>NO | PART<br>NUMBER  | PART NAME             | QUANTITY | REMARKS |
|----------------|-----------------|-----------------------|----------|---------|
| 1              | 6D0-42610-00-8D | TOP COWLING ASSY      | 1        |         |
| 2              | 68F-42647-01-94 | .HOLDER, CLAMP BAND   | 2        |         |
| 3              | 68F-42648-01-94 | .HOLDER, CLAMP BAND   | 1        |         |
| 4              | 92990-06100-00  | .WASHER, SPRING       | 6        |         |
| 5              | 95380-06600-00  | .NUT, HEXAGON         | 6        |         |
| 6              | 68F-42663-00-00 | .DAMPER               | 3        |         |
| 7              | 60V-42651-01-00 | .HOOK                 | 2        |         |
| 8              | 60V-42652-00-00 | .HOOK                 | 1        |         |
| 9              | 97095-06016-00  | .BOLT                 | 6        |         |
| 10             | 92995-06600-00  | .WASHER               | 6        |         |
| 11             | 60V-42613-00-8D | .MOLDING, AIR DUCT    | 1        |         |
| 12             | 60V-42621-00-00 | .MLDG, TOP            | 1        |         |
| 13             | 97780-50616-00  | .SCREW, TAPPING       | 3        |         |
| 14             | 60V-42664-00-00 | .DAMPER               | 3        |         |
| 15             | 90445-11M33-00  | .HOSE (L440)          | 1        |         |
| 16             | 60V-42687-00-00 | .EMBLEM, REAR         | 1        |         |
| 17             | 90462-08018-00  | .CLAMP                | 1        |         |
| 18             | 97780-50612-00  | .SCREW, TAPPING       | 1        |         |
| 19             | 90179-06M24-00  | .NUT                  | 6        |         |
| 20             | 60V-42662-00-00 | .DAMPER               | 2        |         |
| 21             | 6D0-42677-00-00 | .GRAPHIC, FRONT       | 1        |         |
| 22             | 60V-W0070-00-00 | .GRAPHIC SET          | 1        |         |
| 23             | 60V-42681-00-00 | .MARK, COWLING        | 1        |         |
| 24             | 60V-42682-00-00 | .MARK, COWLING        | 1        |         |
| 25             | 6D0-42678-00-00 | .GRAPHIC, REAR        | 1        |         |
| 26             | 67F-13448-00-00 | .CAP                  | 3        |         |
| 27             | 60V-42626-00-00 | .LOUVER, 1            | 1        |         |
| 28             | 60V-42626-10-00 | .LOUVER, 1            | 2        |         |
| 29             | 90160-05005-00  | .SCREW, ROUND TAPPING | 6        |         |
| 30             | 60V-42637-00-00 | .DAMPER, FORM         | 1        |         |
| 31             | 60V-42637-10-00 | .DAMPER, FORM         | 1        |         |
| 32             | 68F-13434-00-00 | LABEL, CAUTION        | 1        |         |

1  
**CRANK CYLINDER ASSY**  
 CYLINDER CRANKCASE 1, Ref. No. 2 to 55  
 CRANKSHAFT PISTON, Ref. No. 1 to 30  
 CYLINDER CRANKCASE 2, Ref. No. 1 to 17, 19 to 39, 41 to 44  
 CYLINDER CRANKCASE 3, Ref. No. 1 to 33, 35 to 42  
 FUEL INJECTION NOZZLE, Ref. No. 34  
 INTAKE, Ref. No. 17, 18  
 OIL PUMP, Ref. No. 4  
 FUEL, Ref. No. 45  
 GENERATOR, Ref. No. 17  
 UPPER CASING, Ref. No. 23



FWD  
 6D02110-D020


## Part List

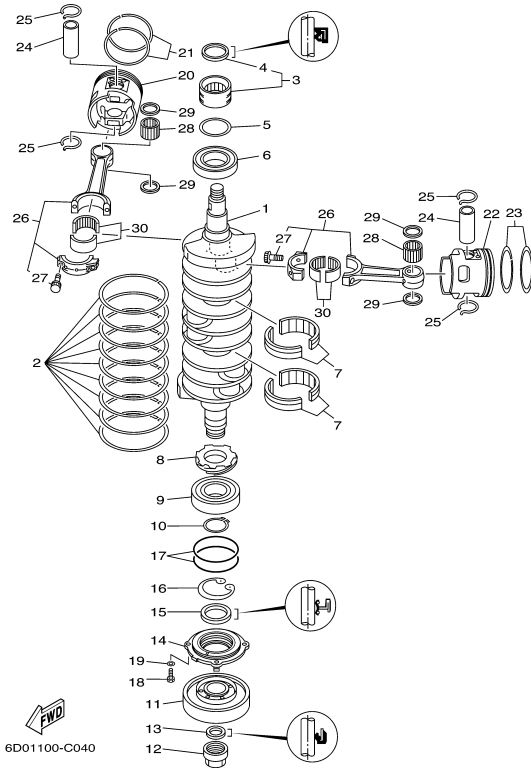
LZ300TXRD 2005 / CYLINDER CRANKCASE 1

| REF - NO | PART NUMBER     | PART NAME                  | QUANTITY | REMARKS |
|----------|-----------------|----------------------------|----------|---------|
| 1        | 6C9-W0090-11-1S | CRANK CYLINDER ASSY        | 1        |         |
| 2        | 6D0-15100-01-1S | CRANKCASE ASSY             | 1        |         |
| 3        | 6E5-11372-01-00 | .NIPPLE, HOSE              | 1        |         |
| 4        | 624-14485-00-00 | .PIPE, JOINT               | 1        |         |
| 5        | 90384-06M07-00  | .BUSH, BIMETAL FORMED      | 1        |         |
| 6        | 90383-16M01-00  | .BUSH, FORMED              | 1        |         |
| 7        | 60V-11370-00-00 | .CHECK VALVE ASSY          | 8        |         |
| 8        | 650-11370-01-00 | .CHECK VALVE ASSY          | 4        |         |
| 9        | 60V-11370-10-00 | .CHECK VALVE ASSY          | 1        |         |
| 10       | 90116-08012-00  | .BOLT, STUD                | 1        |         |
| 11       | 6D0-11372-00-00 | .NIPPLE, HOSE              | 2        |         |
| 12       | 663-11518-01-00 | .LOCK, BEARING             | 2        |         |
| 13       | 90340-14M00-00  | .PLUG, STRAIGHT SCREW      | 2        |         |
| 14       | 90430-14115-00  | .GASKET                    | 2        |         |
| 15       | 93608-12063-00  | PIN, DOWEL                 | 4        |         |
| 16       | 90445-07M10-00  | HOSE (L510)                | 1        |         |
| 17       | 90468-07M02-00  | CLIP                       | 2        |         |
| 18       | 90119-10022-00  | BOLT, WITH WASHER          | 4        |         |
| 19       | 90119-10021-00  | BOLT, WITH WASHER          | 4        |         |
| 20       | 90119-06089-00  | BOLT, WITH WASHER          | 14       |         |
| 21       | 90445-07M03-00  | .HOSE (L34)                | 6        |         |
| 22       | 90445-07016-00  | .HOSE (L60)                | 2        |         |
| 23       | 90445-07M29-00  | HOSE (L135)                | 3        |         |
| 24       | 90445-07MA6-00  | HOSE (L90)                 | 7        |         |
| 25       | 6E0-24378-00-00 | PIPE, JOINT 3              | 4        |         |
| 26       | 6G5-12581-00-00 | JOINT, HOSE 1              | 1        |         |
| 27       | 60V-11325-01-00 | ANODE                      | 3        |         |
| 28       | 66M-11328-00-00 | GROMMET, ANODE             | 3        |         |
| 29       | 66M-11327-00-94 | COVER, ANODE               | 3        |         |
| 30       | 66M-12535-00-00 | PLATE                      | 3        |         |
| 31       | 97095-05012-00  | BOLT                       | 3        |         |
| 32       | 92995-05600-00  | WASHER                     | 3        |         |
| 33       | 97013-06020-00  | BOLT                       | 3        |         |
| 34       | 92903-06600-00  | WASHER, PLATE              | 3        |         |
| 35       | 60V-11371-00-94 | COVER                      | 1        |         |
| 36       | 60V-24135-00-00 | CLAMP 1                    | 1        |         |
| 37       | 97013-05012-00  | BOLT                       | 1        |         |
| 38       | 92903-05600-00  | WASHER, PLATE              | 1        |         |
| 39       | 60V-11381-00-00 | .GASKET 1                  | 1        |         |
| 40       | 90119-06MA2-00  | BOLT, WITH WASHER          | 7        |         |
| 41       | 60V-12411-00-00 | THERMOSTAT                 | 2        |         |
| 42       | 60V-12413-00-1S | COVER, THERMOSTAT          | 2        |         |
| 43       | 60V-12414-A0-00 | .GASKET, COVER             | 2        |         |
| 44       | 99480-06012-00  | PIN                        | 2        |         |
| 45       | 90119-06055-00  | BOLT, WITH WASHER          | 4        |         |
| 46       | 66M-11325-00-00 | ANODE                      | 1        |         |
| 47       | 66M-11328-00-00 | GROMMET, ANODE             | 1        |         |
| 48       | 66M-11327-00-94 | COVER, ANODE               | 1        |         |
| 49       | 66M-12535-00-00 | PLATE                      | 1        |         |
| 50       | 97095-05012-00  | BOLT                       | 1        |         |
| 51       | 92995-05600-00  | WASHER                     | 1        |         |
| 52       | 90119-06MA2-00  | BOLT, WITH WASHER          | 1        |         |
| 53       | 6E5-42761-00-1S | STOPPER                    | 2        |         |
| 54       | 90119-06MA2-00  | BOLT, WITH WASHER          | 4        |         |
| 55       | 68F-44533-00-00 | DAMPER, UPPER MOUNT RUBBER | 2        |         |

## Part Notes

LZ300TXRD 2005 / CYLINDER CRANKCASE 1

| PART NUMBER   | NOTE TEXT   |
|---|---|
| 60V-12411-00-00  | OEM: This part number is among the Top 100 Most Popular Marine Maintenance Parts as of February 2013. |




## Part List

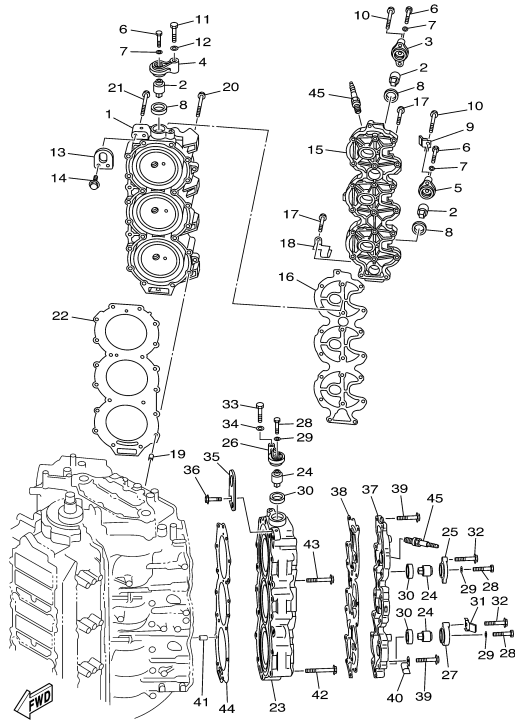
LZ300TXRD 2005 / CRANKSHAFT PISTON

| REF - NO | PART NUMBER     | PART NAME                    | QUANTITY | REMARKS |
|----------|-----------------|------------------------------|----------|---------|
| 1        | 6D0-11411-00-00 | CRANKSHAFT                   | 1        |         |
| 2        | 61A-11447-00-00 | SEAL, CRANK                  | 9        |         |
| 3        | 93311-940V0-00  | BEARING                      | 1        |         |
| 4        | 93102-40M38-00  | .OIL SEAL                    | 1        |         |
| 5        | 60V-11479-00-00 | .GASKET                      | 1        |         |
| 6        | 93306-209U1-00  | BEARING                      | 1        |         |
| 7        | 93310-959U0-00  | BEARING                      | 2        |         |
| 8        | 61A-11536-00-00 | GEAR, DRIVE                  | 1        |         |
| 9        | 93306-308U0-00  | BEARING                      | 1        |         |
| 10       | 93410-40M03-00  | CIRCLIP                      | 1        |         |
| 11       | 61A-11586-01-00 | PULLEY, CRANKSHAFT BALANCE   | 1        |         |
| 12       | 60V-11555-00-00 | NUT, CRANKSHAFT 1            | 1        |         |
| 13       | 93104-22M07-00  | .OIL SEAL                    | 1        |         |
| 14       | 6D0-15359-00-94 | HOUSING, OIL SEAL            | 1        |         |
| 15       | 93103-40011-00  | .OIL SEAL                    | 1        |         |
| 16       | 93420-61M07-00  | CIRCLIP                      | 1        |         |
| 17       | 93210-85M32-00  | O-RING                       | 2        |         |
| 18       | 97095-06020-00  | BOLT                         | 4        |         |
| 19       | 92995-06100-00  | WASHER, SPRING               | 4        |         |
| 20       | 6D0-11631-01-85 | PISTON (STD)                 | 3        |         |
| 20       | 6D0-11636-01-00 | PISTON (0.50MM O/S)          | 3        | AP      |
| 20       | 6D0-11635-01-00 | PISTON (0.25MM O/S)          | 3        | AP      |
| 21       | 6D0-11603-00-00 | PISTON RING SET (STD)        | 3        |         |
| 21       | 6D0-11605-00-00 | PISTON RING SET (0.50MM O/S) | 3        | AP      |
| 21       | 6D0-11604-00-00 | PISTON RING SET (0.25MM O/S) | 3        | AP      |
| 22       | 6D0-11642-01-85 | PISTON 2 (STD)               | 3        |         |
| 22       | 6D0-11646-01-00 | PISTON 2 (0.50MM O/S)        | 3        | AP      |
| 22       | 6D0-11645-01-00 | PISTON 2 (0.25MM O/S)        | 3        | AP      |
| 23       | 6D0-11603-00-00 | PISTON RING SET (STD)        | 3        |         |
| 23       | 6D0-11605-00-00 | PISTON RING SET (0.50MM O/S) | 3        | AP      |
| 23       | 6D0-11604-00-00 | PISTON RING SET (0.25MM O/S) | 3        | AP      |
| 24       | 6D0-11633-00-00 | PIN, PISTON                  | 6        |         |
| 25       | 60X-11634-00-00 | CLIP, PISTON PIN             | 12       |         |
| 26       | 6D0-11650-00-00 | CONNECTING ROD ASSY          | 6        |         |
| 27       | 90109-09001-00  | .BOLT                        | 2        |         |
| 28       | 93310-32657-00  | BEARING                      | 6        |         |
| 29       | 90201-26M03-00  | WASHER, PLATE                | 12       |         |
| 30       | 93310-84106-00  | BEARING                      | 6        |         |

## Part Notes

LZ300TXRD 2005 / CRANKSHAFT PISTON

| PART NUMBER  | NOTE TEXT   |
|--|---|
| 92995-06100-00  | OEM: This part number is among the Top 100 Most Popular Marine Maintenance Parts as of February 2013. |



6D01100-C050



## Part List

LZ300TXRD 2005 / CYLINDER CRANKCASE 2

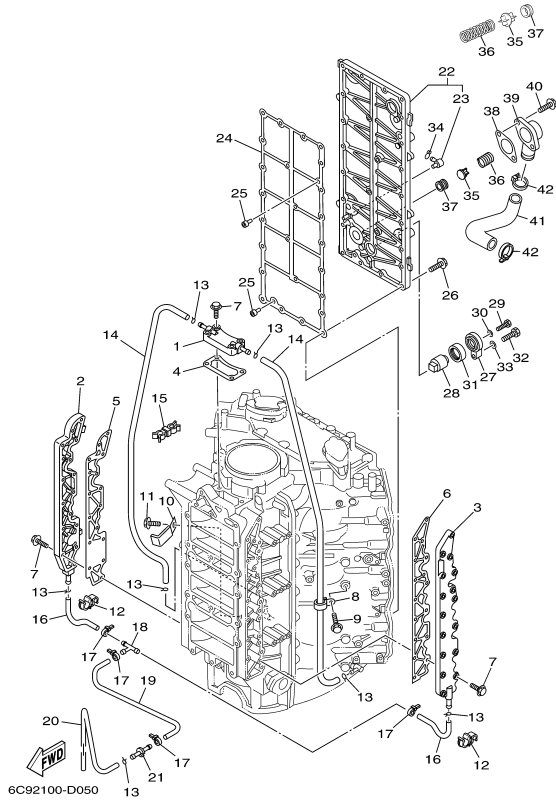
| REF - NO | PART NUMBER     | PART NAME                 | QUANTITY | REMARKS |
|----------|-----------------|---------------------------|----------|---------|
| 1        | 6D0-11111-00-1S | HEAD, CYLINDER 1          | 1        |         |
| 2        | 67F-11325-00-00 | TAB, TRIM                 | 3        |         |
| 3        | 67F-11327-00-94 | COVER, ANODE              | 1        |         |
| 4        | 69J-11327-00-94 | COVER, ANODE              | 1        |         |
| 5        | 60V-11327-00-94 | COVER, ANODE              | 1        |         |
| 6        | 97075-06020-00  | BOLT                      | 3        |         |
| 7        | 92995-06600-00  | WASHER                    | 3        |         |
| 8        | 67F-11328-00-00 | .GROMMET, ANODE           | 3        |         |
| 9        | 60V-12535-00-00 | PLATE                     | 1        |         |
| 10       | 97575-08550-00  | BOLT, WITH WASHER         | 3        |         |
| 11       | 97075-08035-00  | BOLT                      | 1        |         |
| 12       | 92995-08600-00  | WASHER                    | 1        |         |
| 13       | 68F-11119-00-00 | HANGER, ENGINE            | 1        |         |
| 14       | 90119-06MA2-00  | BOLT, WITH WASHER         | 2        |         |
| 15       | 60V-11191-00-1S | COVER, CYLINDER HEAD 1    | 1        |         |
| 16       | 60V-11193-00-00 | .GASKET, HEAD COVER 1     | 1        |         |
| 17       | 90119-06MA4-00  | BOLT, WITH WASHER         | 18       |         |
| 18       | 68F-83919-00-00 | CLAMP, HARNESS            | 1        |         |
| 19       | 99590-10114-00  | PIN, DOWEL                | 2        |         |
| 20       | 90119-08MA5-00  | BOLT, WITH WASHER         | 18       |         |
| 21       | 90119-08MA8-00  | BOLT, WITH WASHER         | 2        |         |
| 22       | 6D0-11181-00-00 | .GASKET, CYLINDER HEAD 1  | 1        |         |
| 23       | 6D0-11121-00-1S | HEAD, CYLINDER 2          | 1        |         |
| 24       | 67F-11325-00-00 | TAB, TRIM                 | 3        |         |
| 25       | 67F-11327-00-94 | COVER, ANODE              | 1        |         |
| 26       | 69J-11327-00-94 | COVER, ANODE              | 1        |         |
| 27       | 60V-11327-00-94 | COVER, ANODE              | 1        |         |
| 28       | 97075-06020-00  | BOLT                      | 3        |         |
| 29       | 92995-06600-00  | WASHER                    | 3        |         |
| 30       | 67F-11328-00-00 | .GROMMET, ANODE           | 3        |         |
| 31       | 60V-12535-00-00 | PLATE                     | 1        |         |
| 32       | 97575-08550-00  | BOLT, WITH WASHER         | 3        |         |
| 33       | 97075-08035-00  | BOLT                      | 1        |         |
| 34       | 92995-08600-00  | WASHER                    | 1        |         |
| 35       | 69J-1111E-00-00 | HANGER, ENGINE 2          | 1        |         |
| 36       | 90119-06MA2-00  | BOLT, WITH WASHER         | 2        |         |
| 37       | 60V-11192-00-1S | COVER, CYLINDER HEAD 2    | 1        |         |
| 38       | 60V-11193-00-00 | .GASKET, HEAD COVER 1     | 1        |         |
| 39       | 90119-06MA4-00  | BOLT, WITH WASHER         | 18       |         |
| 40       | 68F-83919-00-00 | CLAMP, HARNESS            | 1        |         |
| 41       | 99590-10114-00  | PIN, DOWEL                | 2        |         |
| 42       | 90119-08MA5-00  | BOLT, WITH WASHER         | 18       |         |
| 43       | 90119-08MA8-00  | BOLT, WITH WASHER         | 2        |         |
| 44       | 6D0-11181-00-00 | .GASKET, CYLINDER HEAD 1  | 1        |         |
| 45       | 94702-00405-00  | PLUG, SPARK (NGK BKR6EKU) | 6        |         |

## Part Notes

LZ300TXRD 2005 / CYLINDER CRANKCASE 2

| PART NUMBER   | NOTE TEXT   |
|---|---|
| 67F-11328-00-00  | OEM: This part number is among the Top 100 Most Popular Marine Maintenance Parts as of February 2013. |
| 67F-11328-00-00  | OEM: This part number is among the Top 100 Most Popular Marine Maintenance Parts as of February 2013. |







## Part List

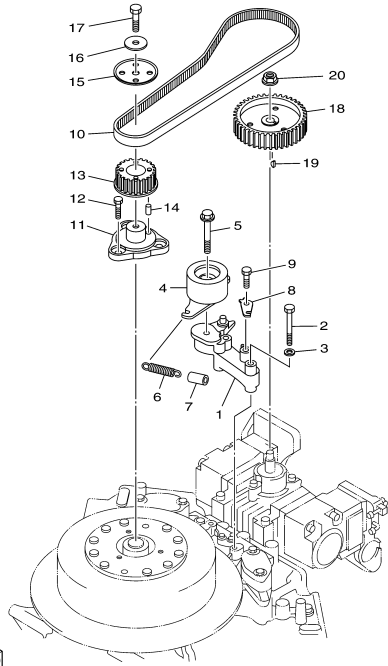
LZ300TXRD 2005 / CYLINDER CRANKCASE 3

| REF - NO | PART NUMBER     | PART NAME                    | QUANTITY | REMARKS |
|----------|-----------------|------------------------------|----------|---------|
| 1        | 6D0-15411-00-1S | COVER, CRANKCASE 1           | 1        |         |
| 2        | 6D0-15421-00-1S | COVER, CRANKCASE 2           | 1        |         |
| 3        | 6D0-15431-00-1S | COVER, CRANKCASE 3           | 1        |         |
| 4        | 6D0-15451-00-00 | .GASKET, CRANKCASE COVER 1   | 1        |         |
| 5        | 6D0-15461-00-00 | .GASKET, CRANKCASE COVER 2   | 1        |         |
| 6        | 6D0-15462-00-00 | .GASKET, CRANKCASE COVER 3   | 1        |         |
| 7        | 90119-06MA3-00  | BOLT, WITH WASHER            | 36       |         |
| 8        | 90465-06M88-00  | CLAMP                        | 1        |         |
| 9        | 97595-06510-00  | BOLT, WITH WASHER            | 1        |         |
| 10       | 90465-08M23-00  | CLAMP                        | 1        |         |
| 11       | 97595-06510-00  | BOLT, WITH WASHER            | 1        |         |
| 12       | 90464-09018-00  | CLAMP                        | 2        |         |
| 13       | 90467-08M18-00  | CLIP                         | 7        |         |
| 14       | 90445-09M30-00  | HOSE (L630)                  | 2        |         |
| 15       | 90464-07008-00  | CLAMP                        | 1        |         |
| 16       | 90445-09068-00  | HOSE (L110)                  | 2        |         |
| 17       | 90465-11M10-00  | CLAMP                        | 4        |         |
| 18       | 688-24378-00-00 | PIPE, JOINT 3                | 1        |         |
| 19       | 90445-09221-00  | HOSE (L205)                  | 1        |         |
| 20       | 90445-09022-00  | HOSE (L530)                  | 1        |         |
| 21       | 8H8-24376-00-00 | PIPE, JOINT 1                | 1        |         |
| 22       | 60V-41113-00-94 | OUTER COVER, EXHAUST         | 1        |         |
| 23       | 676-11372-00-00 | .NIPPLE, HOSE                | 1        |         |
| 24       | 60V-41112-00-00 | .GASKET, EXHAUST INNER COVER | 1        |         |
| 25       | 60V-41267-00-00 | BUSHING, JOINT               | 2        |         |
| 26       | 90119-06MA3-00  | BOLT, WITH WASHER            | 25       |         |
| 27       | 60V-11327-00-94 | COVER, ANODE                 | 1        |         |
| 28       | 67F-11325-00-00 | TAB, TRIM                    | 1        |         |
| 29       | 97075-06020-00  | BOLT                         | 1        |         |
| 30       | 92995-06600-00  | WASHER                       | 1        |         |
| 31       | 67F-11328-00-00 | .GROMMET, ANODE              | 1        |         |
| 32       | 97075-08030-00  | BOLT                         | 1        |         |
| 33       | 92995-08600-00  | WASHER                       | 1        |         |
| 34       | 90467-08004-00  | CLIP                         | 1        |         |
| 35       | 60H-12416-00-00 | VALVE, PRESSURE CONTROL      | 1        |         |
| 36       | 90501-16M11-00  | SPRING, COMPRESSION          | 1        |         |
| 37       | 90480-20M05-00  | GROMMET                      | 1        |         |
| 38       | 60V-11382-A0-00 | .GASKET 2                    | 1        |         |
| 39       | 6G5-11372-00-1S | COVER, BYPASS 2              | 1        |         |
| 40       | 90119-06MA2-00  | BOLT, WITH WASHER            | 2        |         |
| 41       | 61A-12576-00-00 | HOSE 1                       | 1        |         |
| 42       | 90465-13M18-00  | CLAMP                        | 2        |         |

## Part Notes

LZ300TXRD 2005 / CYLINDER CRANKCASE 3

| PART NUMBER   | NOTE TEXT   |
|---|---|
| 67F-11328-00-00  | OEM: This part number is among the Top 100 Most Popular Marine Maintenance Parts as of February 2013. |
| 90480-20M05-00   | OEM: This part number is among the Top 100 Most Popular Marine Maintenance Parts as of February 2013. |

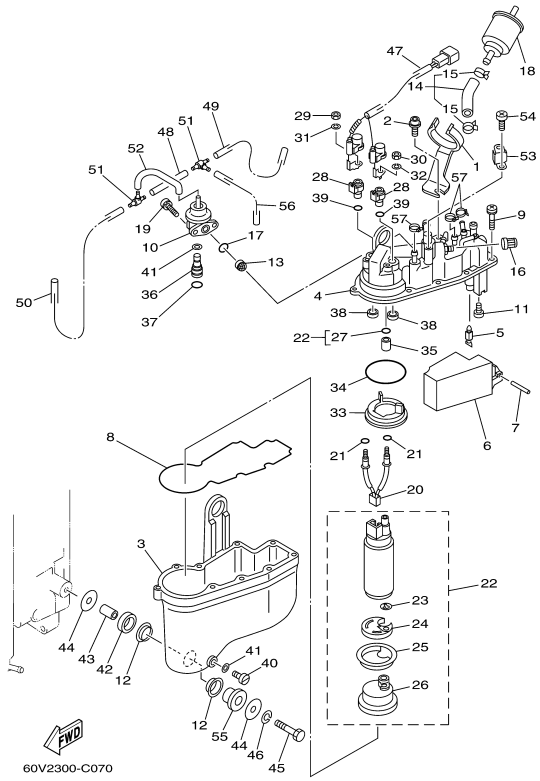


60V2100-C060

## Part List

LZ300TXRD 2005 / FUEL PUMP DRIVE GEAR

| REF<br>-<br>NO | PART<br>NUMBER  | PART NAME           | QUANTITY | REMARKS |
|----------------|-----------------|---------------------|----------|---------|
| 1              | 60V-11598-00-94 | BRACKET, TENSIONER  | 1        |         |
| 2              | 97013-08055-00  | BOLT                | 2        |         |
| 3              | 92903-08600-00  | WASHER, PLATE       | 2        |         |
| 4              | 60V-11590-00-00 | TENSIONER ASSY      | 1        |         |
| 5              | 90119-10M72-00  | BOLT, WITH WASHER   | 1        |         |
| 6              | 6D0-12113-00-00 | SPRING, VALVE INNER | 1        |         |
| 7              | 90445-15002-00  | HOSE (L30)          | 1        |         |
| 8              | 60V-11595-00-00 | PLATE, VALVE        | 1        |         |
| 9              | 97013-08012-00  | BOLT                | 1        |         |
| 10             | 60V-46241-00-00 | V-BELT              | 1        |         |
| 11             | 68F-11579-01-94 | COUPLING, FLYWHEEL  | 1        |         |
| 12             | 97013-08012-00  | BOLT                | 3        |         |
| 13             | 68F-11536-00-94 | GEAR, DRIVE         | 1        |         |
| 14             | 93605-10108-00  | PIN, DOWEL          | 1        |         |
| 15             | 60V-11557-00-00 | WASHER 1            | 1        |         |
| 16             | 90201-08M00-00  | WASHER, PLATE       | 1        |         |
| 17             | 97095-08025-00  | BOLT                | 1        |         |
| 18             | 68F-11537-00-94 | GEAR, DRIVEN        | 1        |         |
| 19             | 90280-03M01-00  | KEY, WOODRUFF       | 1        |         |
| 20             | 95707-08600-00  | NUT, FLANGE         | 1        |         |






## Part List

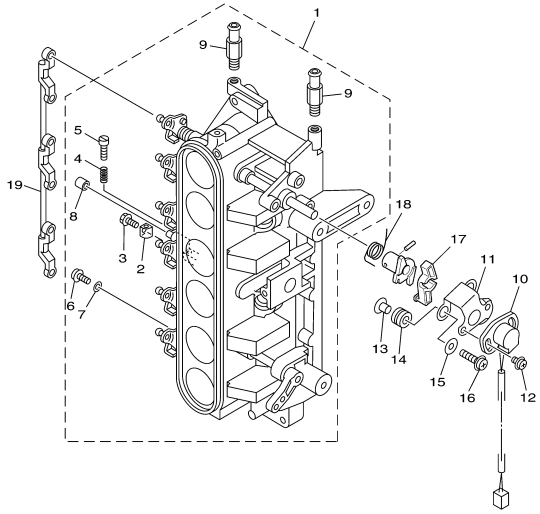
LZ300TXRD 2005 / VAPOR SEPARATOR 1

| REF - NO | PART NUMBER     | PART NAME              | QUANTITY | REMARKS |
|----------|-----------------|------------------------|----------|---------|
| 1        | 60V-24216-00-00 | STAY                   | 1        |         |
| 2        | 60D-24473-00-00 | SCREW                  | 1        |         |
| 3        | 60V-14980-00-00 | BODY, FLOAT CHAMBER    | 1        |         |
| 4        | 60V-14182-01-00 | COVER, FLOAT CHAMBER   | 1        |         |
| 5        | 65L-14546-00-00 | VALVE, NEEDLE          | 1        |         |
| 6        | 66K-14985-00-00 | FLOAT                  | 1        |         |
| 7        | 66K-14548-01-00 | PIN, FLOAT ARM         | 1        |         |
| 8        | 66K-14984-00-00 | GASKET, FLOAT CHAMBER  | 1        |         |
| 9        | 65L-14125-00-00 | SCREW                  | 10       |         |
| 10       | 68F-13906-00-00 | REGULATOR, PRESSURE    | 1        |         |
| 11       | 66K-14325-01-00 | SCREW, PAN HEAD        | 2        |         |
| 12       | 60V-14163-00-00 | SPACER                 | 6        |         |
| 13       | 65L-13905-00-00 | FILTER COMP            | 1        |         |
| 14       | 68F-13971-00-00 | PIPE, FUEL 1           | 1        |         |
| 15       | 65L-24387-00-00 | .CLIP                  | 2        |         |
| 16       | 65L-14966-00-00 | CAP                    | 1        |         |
| 17       | 65L-24486-00-00 | O-RING                 | 1        |         |
| 18       | 60V-24251-00-00 | STRAINER 1             | 1        |         |
| 19       | 66K-14245-00-00 | SCREW, GUIDE           | 2        |         |
| 20       | 68F-82509-00-00 | WIRE, SUB LEAD         | 1        |         |
| 21       | 65L-14227-00-00 | O-RING                 | 2        |         |
| 22       | 60V-13907-00-00 | FUEL PUMP COMP.        | 1        |         |
| 23       | 65L-14159-00-00 | .CLIP                  | 1        |         |
| 24       | 68F-13781-00-00 | .DAMPER, PUMP          | 1        |         |
| 25       | 68F-13844-00-00 | .PLATE 2               | 1        |         |
| 26       | 68F-13915-00-00 | .FILTER                | 1        |         |
| 27       | 65L-1416A-00-00 | .O-RING                | 1        |         |
| 28       | 66K-14271-00-00 | INSULATOR              | 2        |         |
| 29       | 65L-8182A-00-00 | NUT                    | 1        |         |
| 30       | 65L-8182K-00-00 | NUT                    | 1        |         |
| 31       | 65L-8182E-00-00 | WASHER                 | 1        |         |
| 32       | 65L-8182F-00-00 | WASHER                 | 1        |         |
| 33       | 68F-13843-00-00 | PLATE 1                | 1        |         |
| 34       | 65L-14147-00-00 | O-RING                 | 1        |         |
| 35       | 68F-14274-00-00 | CONNECTOR              | 1        |         |
| 36       | 66K-24376-00-00 | PIPE, JOINT 1          | 1        |         |
| 37       | 66K-24489-00-00 | O-RING                 | 1        |         |
| 38       | 68F-14271-00-00 | INSULATOR              | 2        |         |
| 39       | 65L-14397-00-00 | O-RING                 | 2        |         |
| 40       | 65L-14992-00-00 | SCREW, DRAIN           | 1        |         |
| 41       | 65L-14997-00-00 | SEAL                   | 2        |         |
| 42       | 60V-24375-01-00 | GROMMET                | 3        |         |
| 43       | 60V-24397-01-00 | COLLAR                 | 3        |         |
| 44       | 66K-24579-00-00 | WASHER 2               | 6        |         |
| 45       | 65L-24592-00-00 | BOLT                   | 3        |         |
| 46       | 65L-24169-00-00 | WASHER, LOCK           | 3        |         |
| 47       | 60V-82507-00-00 | WIRE, LEAD             | 1        |         |
| 48       | 66K-13542-00-00 | HOSE, VACUUM SENSING 1 | 1        |         |
| 49       | 66K-13544-00-00 | HOSE, VACUUM SENSING 2 | 1        |         |
| 50       | 66K-13532-00-00 | HOSE, VACUUM SENSING 3 | 1        |         |
| 51       | 65L-24461-00-00 | PIPE, JOINT            | 2        |         |
| 52       | 66K-13533-00-00 | HOSE, VACUUM SENSING 4 | 1        |         |
| 53       | 65L-13898-00-00 | HOLDER                 | 1        |         |
| 54       | 65L-14565-00-00 | SCREW                  | 1        |         |
| 55       | 60V-24339-01-00 | GROMMET                | 3        |         |
| 56       | 60V-13534-00-00 | HOSE, VACUUM SENSING 5 | 1        |         |
| 57       | 90465-11M10-00  | CLAMP                  | 3        |         |

## Part Notes

LZ300TXRD 2005 / VAPOR SEPARATOR 1

| PART NUMBER     | NOTE TEXT   |
|-----------------|---|
| 66K-14984-00-00 |  OEM: This part number is among the Top 100 Most Popular Marine Maintenance Parts as of February 2013.   |
| 60V-24251-00-00 |  OEM: When replacing this filter, a special Oetiker clamp is required. The part number is 65L-24387-00-00. Worm-Type hose clamps should NOT be used in this application. |
| 68F-13915-00-00 |  OEM: This part number is among the Top 100 Most Popular Marine Maintenance Parts as of February 2013.   |



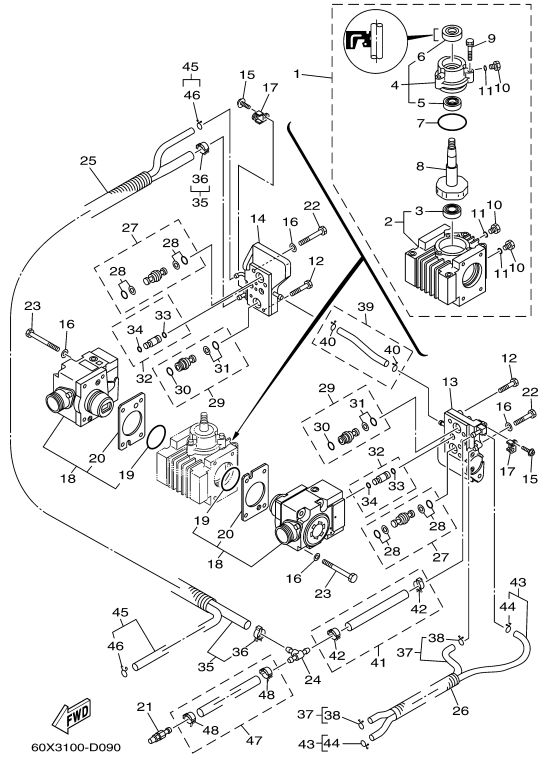
60V1010-3080  
Rev. 4-12-2012

## Part List

LZ300TXRD 2005 / VAPOR SEPARATOR 2

| REF<br>-<br>NO | PART<br>NUMBER  | PART NAME              | QUANTITY | REMARKS |
|----------------|-----------------|------------------------|----------|---------|
| 1              | 6D0-13751-00-00 | BODY, THROTTLE 1       | 1        |         |
| 2              | 65L-14527-00-00 | .PLATE                 | 1        |         |
| 3              | 65L-14565-00-00 | .SCREW                 | 1        |         |
| 4              | 65L-14334-00-00 | .SPRING, AIR ADJUSTING | 1        |         |
| 5              | 65L-14523-00-00 | .SCREW, STOP           | 1        |         |
| 6              | 6K5-14592-00-00 | .SCREW                 | 6        |         |
| 7              | 90201-05552-00  | .WASHER, PLATE         | 6        |         |
| 8              | 65L-14578-00-00 | .COLLAR                | 1        |         |
| 9              | 68F-13568-00-00 | .STUD                  | 2        |         |
| 10             | 61A-85885-00-00 | THROTTLE SENSOR ASSY   | 1        |         |
| 11             | 6K7-85886-01-00 | BRACKET                | 1        |         |
| 12             | 97985-05212-00  | SCREW, WITH WASHER     | 2        |         |
| 13             | 90387-05M00-00  | COLLAR                 | 3        |         |
| 14             | 60V-85516-00-00 | SPACER                 | 3        |         |
| 15             | 60V-14596-00-00 | WASHER                 | 3        |         |
| 16             | 97985-05330-00  | SCREW, WITH WASHER     | 3        |         |
| 17             | 65L-14573-00-00 | LEVER                  | 1        |         |
| 18             | 65L-14579-00-00 | SPRING                 | 1        |         |
| 19             | 65L-41217-00-00 | ROD, ACCEL. LEVER      | 1        |         |







Part List

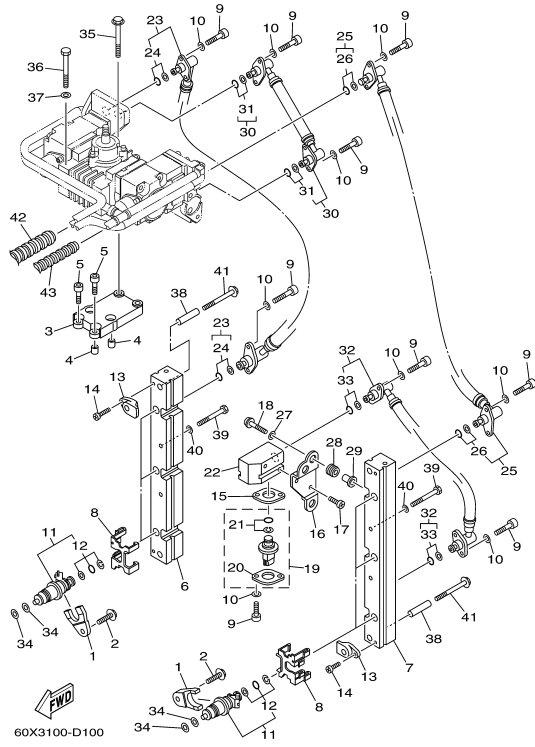
LZ300TXRD 2005 / FUEL INJECTION PUMP

| REF - NO | PART NUMBER     | PART NAME               | QUANTITY | REMARKS |
|----------|-----------------|-------------------------|----------|---------|
| 1        | 60V-12170-00-00 | CAMSHAFT ASSY 1         | 1        |         |
| 2        | 60V-12424-00-00 | .PLATE, CARTRIDGE INNER | 1        |         |
| 3        | 93306-00001-00  | .BEARING                | 1        |         |
| 4        | 68F-12173-00-00 | .CAP, CAMSHAFT 1        | 1        |         |
| 5        | 93306-001U0-00  | .BEARING                | 1        |         |
| 6        | 68F-12223-00-00 | .SEAL                   | 1        |         |
| 7        | 68F-12439-00-00 | .O-RING                 | 1        |         |
| 8        | 60V-12171-00-00 | .CAMSHAFT 1             | 1        |         |
| 9        | 68F-12228-00-00 | .BOLT                   | 3        |         |
| 10       | 68F-13455-00-00 | .PLUG                   | 3        |         |
| 11       | 68F-13473-00-00 | .O-RING                 | 3        |         |
| 12       | 68F-12228-00-00 | BOLT                    | 4        |         |
| 13       | 60V-13993-00-00 | COVER, CONTROL RACK     | 1        |         |
| 14       | 60W-13993-00-00 | COVER, CONTROL RACK     | 1        |         |
| 15       | 65L-14565-00-00 | SCREW                   | 2        |         |
| 16       | 68F-24579-00-00 | WASHER 2                | 12       |         |
| 17       | 60V-13854-00-00 | PLATE 4                 | 2        |         |
| 18       | 60V-13910-00-00 | FUEL PUMP ASSY          | 2        |         |
| 19       | 60V-14005-00-00 | .RING, SEAL             | 1        |         |
| 20       | 60V-14126-00-00 | .GASKET                 | 1        |         |
| 21       | 68F-24300-00-00 | FUEL PIPE JOINT         | 1        |         |
| 22       | 60V-24178-00-00 | BOLT 3                  | 4        |         |
| 23       | 60V-24176-00-00 | BOLT 1                  | 8        |         |
| 24       | 60V-24378-00-00 | PIPE, JOINT 3           | 1        |         |
| 25       | 60V-24864-00-00 | TUBE                    | 1        |         |
| 26       | 60V-2510T-00-00 | TUBE                    | 1        |         |
| 27       | 68F-13815-10-00 | JOINT 1                 | 2        |         |
| 28       | 68F-2466A-00-00 | .PACKING KIT            | 2        |         |
| 29       | 68F-13816-10-00 | JOINT 2                 | 2        |         |
| 30       | 68F-24486-00-00 | .O-RING                 | 1        |         |
| 31       | 68F-2466A-00-00 | .PACKING KIT            | 1        |         |
| 32       | 60V-13505-00-00 | JOINT COMP.             | 4        |         |
| 33       | 68F-13473-00-00 | .O-RING                 | 1        |         |
| 34       | 60V-13473-00-00 | .O-RING                 | 1        |         |
| 35       | 60V-14148-00-00 | PIPE                    | 1        |         |
| 36       | 65L-24387-00-00 | .CLIP                   | 2        |         |
| 37       | 60V-24312-00-00 | PIPE 2                  | 1        |         |
| 38       | 68F-24356-00-00 | .CLIP, PIPE 1           | 2        |         |
| 39       | 60V-24313-00-00 | PIPE 3                  | 1        |         |
| 40       | 68F-24356-00-00 | .CLIP, PIPE 1           | 2        |         |
| 41       | 60V-14149-00-00 | PIPE                    | 1        |         |
| 42       | 65L-24387-00-00 | .CLIP                   | 2        |         |
| 43       | 60V-24314-00-00 | PIPE 4                  | 1        |         |
| 44       | 68F-24356-00-00 | .CLIP, PIPE 1           | 2        |         |
| 45       | 60V-24315-00-00 | PIPE 5                  | 1        |         |
| 46       | 68F-24356-00-00 | .CLIP, PIPE 1           | 2        |         |
| 47       | 60V-13972-00-00 | PIPE, FUEL 2            | 1        |         |
| 48       | 65L-24387-00-00 | .CLIP                   | 2        |         |

Part Notes

LZ300TXRD 2005 / FUEL INJECTION PUMP

| PART NUMBER   | NOTE TEXT  |
|---|--|
| 68F-2466A-00-00  | OEM: The contents of this packing kit have changed. The kit now has only 2 parts, instead of 3 parts, for each side of the joint. A total of 4 parts are in each kit, 2 rubber o-rings and two fiber washers. The fiber washer g |
| 68F-2466A-00-00  | OEM: The contents of this packing kit have changed. The kit now has only 2 parts, instead of 3 parts, for each side of the joint. A total of 4 parts are in each kit, 2 rubber o-rings and two fiber washers. The fiber washer g |








Part List

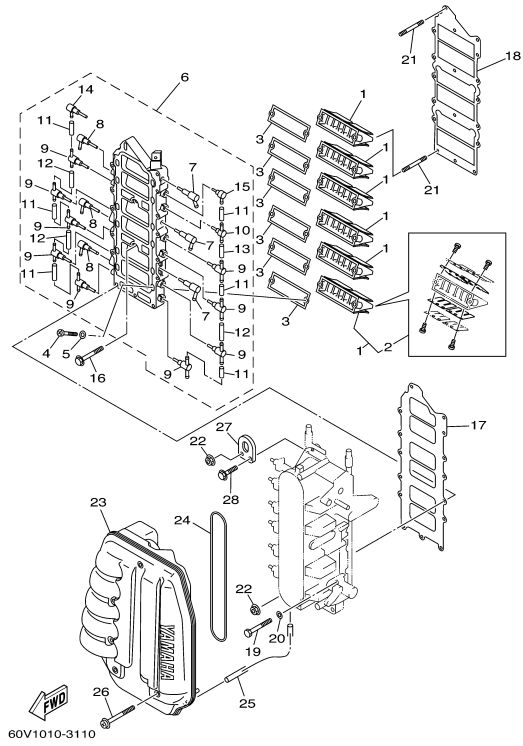
LZ300TXRD 2005 / FUEL INJECTION NOZZLE

| REF - NO | PART NUMBER     | PART NAME                 | QUANTITY | REMARKS |
|----------|-----------------|---------------------------|----------|---------|
| 1        | 68F-13767-00-00 | CAP, INJECTOR             | 6        |         |
| 2        | 90119-08M60-00  | BOLT, WITH WASHER         | 6        |         |
| 3        | 60V-13782-00-00 | STAY                      | 1        |         |
| 4        | 90387-08M31-00  | COLLAR                    | 2        |         |
| 5        | 90110-08M04-00  | BOLT, HEXAGON SOCKET HEAD | 4        |         |
| 6        | 60V-13161-00-00 | PIPE, DELIVERY 1          | 1        |         |
| 7        | 60V-13171-00-00 | PIPE, DELIVERY 2          | 1        |         |
| 8        | 60V-13898-00-00 | HOLDER                    | 6        |         |
| 9        | 68F-24551-00-00 | BOLT, JOINT               | 18       |         |
| 10       | 68F-24576-00-00 | WASHER                    | 18       |         |
| 11       | 60V-13761-00-00 | INJECTOR                  | 6        |         |
| 12       | 68F-1410B-00-00 | .PACKING KIT              | 1        |         |
| 13       | 60V-14264-00-00 | COLLAR                    | 4        |         |
| 14       | 65L-14565-00-00 | SCREW                     | 4        |         |
| 15       | 60V-82389-00-00 | PLATE 2                   | 1        |         |
| 16       | 60V-82398-00-00 | PLATE 3                   | 1        |         |
| 17       | 60V-81545-00-00 | SCREW 1                   | 2        |         |
| 18       | 60V-81546-00-00 | SCREW 2                   | 3        |         |
| 19       | 60V-82380-00-00 | SENSOR, PRESSURE          | 1        |         |
| 20       | 68F-82388-00-00 | .PLATE                    | 1        |         |
| 21       | 68F-82384-00-00 | .PACKING KIT              | 1        |         |
| 22       | 60V-13938-00-00 | PIPE                      | 1        |         |
| 23       | 60V-13973-10-00 | PIPE, FUEL 3              | 1        |         |
| 24       | 68F-2466A-00-00 | .PACKING KIT              | 2        |         |
| 25       | 60V-13974-10-00 | PIPE, FUEL 4              | 1        |         |
| 26       | 68F-2466A-00-00 | .PACKING KIT              | 2        |         |
| 27       | 65L-14596-00-00 | WASHER                    | 3        |         |
| 28       | 90480-10M23-00  | GROMMET                   | 3        |         |
| 29       | 90387-05M00-00  | COLLAR                    | 3        |         |
| 30       | 60V-13975-10-00 | PIPE, FUEL 5              | 1        |         |
| 31       | 68F-2466A-00-00 | .PACKING KIT              | 2        |         |
| 32       | 60V-13976-10-00 | PIPE, FUEL 6              | 1        |         |
| 33       | 68F-2466A-00-00 | .PACKING KIT              | 2        |         |
| 34       | 68F-13764-00-00 | GASKET (T=2.2)            | 12       |         |
| 35       | 97513-08570-00  | BOLT, WITH WASHER         | 2        |         |
| 36       | 97013-08090-00  | BOLT                      | 2        |         |
| 37       | 92903-08600-00  | WASHER, PLATE             | 2        |         |
| 38       | 60V-13716-00-00 | COLLAR                    | 4        |         |
| 39       | 97013-08055-00  | BOLT                      | 4        |         |
| 40       | 92903-08600-00  | WASHER, PLATE             | 4        |         |
| 41       | 97513-08570-00  | BOLT, WITH WASHER         | 4        |         |
| 42       | 90447-22004-00  | HOSE, WITH SPRING (L200)  | 1        |         |
| 43       | 90447-15001-00  | HOSE, WITH SPRING (L205)  | 1        |         |

Part Notes

LZ300TXRD 2005 / FUEL INJECTION NOZZLE

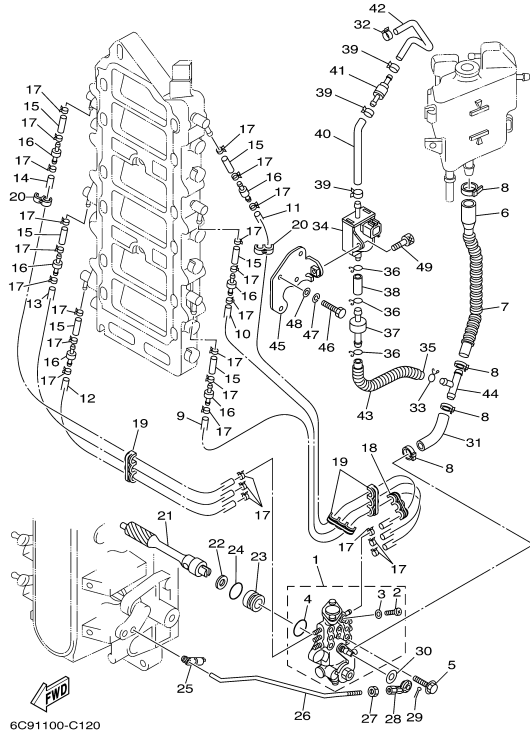
| PART NUMBER     | NOTE TEXT  |
|-----------------|--|
| 68F-2466A-00-00 |  OEM: The contents of this packing kit have changed. The kit now has only 2 parts, instead of 3 parts, for each side of the joint. A total of 4 parts are in each kit, 2 rubber o-rings and two fiber washers. The fiber washer g |
| 68F-2466A-00-00 |  OEM: The contents of this packing kit have changed. The kit now has only 2 parts, instead of 3 parts, for each side of the joint. A total of 4 parts are in each kit, 2 rubber o-rings and two fiber washers. The fiber washer g |
| 68F-2466A-00-00 |  OEM: The contents of this packing kit have changed. The kit now has only 2 parts, instead of 3 parts, for each side of the joint. A total of 4 parts are in each kit, 2 rubber o-rings and two fiber washers. The fiber washer g |
| 68F-2466A-00-00 |  OEM: The contents of this packing kit have changed. The kit now has only 2 parts, instead of 3 parts, for each side of the joint. A total of 4 parts are in each kit, 2 rubber o-rings and two fiber washers. The fiber washer g |
| 68F-13764-00-00 |  OEM: This part number is among the Top 100 Most Popular Marine Maintenance Parts as of February 2013.  |



## Part List

LZ300TXRD 2005 / INTAKE

| REF<br>-<br>NO | PART<br>NUMBER  | PART NAME             | QUANTITY | REMARKS |
|----------------|-----------------|-----------------------|----------|---------|
| 1              | 6D0-13610-00-00 | REED VALVE ASSY       | 6        |         |
| 2              | 60V-W0004-00-00 | .REED SET             | 1        |         |
| 3              | 60V-13621-A0-00 | .GASKET, VALVE SEAT   | 6        |         |
| 4              | 97880-05016-00  | SCREW, PAN HEAD       | 12       |         |
| 5              | 92990-05600-00  | WASHER, PLATE         | 12       |         |
| 6              | 60V-13624-00-1S | PLATE, REED VALVE     | 1        |         |
| 7              | 60V-13552-00-00 | .NOZZLE               | 3        |         |
| 8              | 60V-13572-00-00 | .NOZZLE               | 3        |         |
| 9              | 60V-11379-00-00 | .VALVE, CHECK         | 9        |         |
| 10             | 6F6-11370-01-00 | .CHECK VALVE ASSY     | 1        |         |
| 11             | 90445-07M03-00  | .HOSE (L34)           | 6        |         |
| 12             | 90445-07016-00  | .HOSE (L60)           | 3        |         |
| 13             | 90445-07015-00  | .HOSE (L65)           | 1        |         |
| 14             | 60V-11369-00-00 | .VALVE, CHECK         | 1        |         |
| 15             | 650-11370-01-00 | .CHECK VALVE ASSY     | 1        |         |
| 16             | 90105-06028-00  | BOLT, FLANGE          | 2        |         |
| 17             | 60V-13646-00-00 | .GASKET, MANIFOLD 2   | 1        |         |
| 18             | 60V-13645-00-00 | .GASKET, MANIFOLD 1   | 1        |         |
| 19             | 97013-06060-00  | BOLT                  | 12       |         |
| 20             | 92903-06600-00  | WASHER, PLATE         | 12       |         |
| 21             | 95670-06660-00  | BOLT, STUD            | 2        |         |
| 22             | 90179-06M24-00  | NUT                   | 2        |         |
| 23             | 60V-14440-00-00 | SILENCER ASSY, INTAKE | 1        |         |
| 24             | 60V-14476-00-00 | .SEAL                 | 1        |         |
| 25             | 90445-07M44-00  | HOSE (L250)           | 1        |         |
| 26             | 90159-06M16-00  | SCREW, WITH WASHER    | 6        |         |
| 27             | 68F-11119-00-00 | HANGER, ENGINE        | 1        |         |
| 28             | 90119-06MA2-00  | BOLT, WITH WASHER     | 1        |         |



6C91100-C120





## Part List

LZ300TXRD 2005 / OIL PUMP

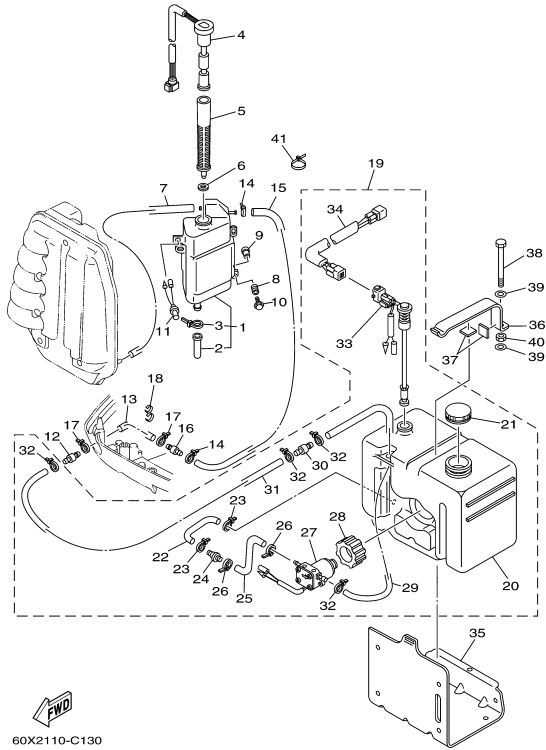
| REF - NO | PART NUMBER     | PART NAME                 | QUANTITY | REMARKS |
|----------|-----------------|---------------------------|----------|---------|
| 1        | 6D0-13200-02-00 | OIL INJECTION PUMP ASSY   | 1        |         |
| 2        | 6R3-13471-00-00 | .PLUG, DRAIN              | 1        |         |
| 3        | 6L2-13475-00-00 | .GASKET                   | 1        |         |
| 4        | 93210-19M82-00  | .O-RING                   | 1        |         |
| 5        | 90109-06M40-00  | BOLT                      | 2        |         |
| 6        | 6G5-13416-00-00 | PIPE, OIL 1               | 1        |         |
| 7        | 90446-17M48-00  | HOSE (L200)               | 1        |         |
| 8        | 90465-11M10-00  | CLAMP                     | 4        |         |
| 9        | 90446-07M35-00  | HOSE (L260)               | 1        |         |
| 10       | 90445-07M96-00  | HOSE (L310)               | 1        |         |
| 11       | 90446-07M48-00  | HOSE (L450)               | 1        |         |
| 12       | 90445-07M44-00  | HOSE (L250)               | 1        |         |
| 13       | 90445-07M46-00  | HOSE (L360)               | 1        |         |
| 14       | 90445-07M10-00  | HOSE (L510)               | 1        |         |
| 15       | 90445-07M04-00  | HOSE (L50)                | 6        |         |
| 16       | 6R3-13183-10-00 | VALVE, CHECK              | 6        |         |
| 17       | 90468-07M02-00  | CLIP                      | 24       |         |
| 18       | 90464-07M05-00  | CLAMP                     | 1        |         |
| 19       | 90464-07M05-00  | CLAMP                     | 3        |         |
| 20       | 90464-07M20-00  | CLAMP                     | 2        |         |
| 21       | 61A-11537-00-00 | GEAR, DRIVEN              | 1        |         |
| 22       | 90201-09M01-00  | WASHER, PLATE             | 1        |         |
| 23       | 61A-13117-00-00 | COLLAR, DISTANCE          | 1        |         |
| 24       | 93210-18M49-00  | .O-RING                   | 1        |         |
| 25       | 6R5-41237-00-00 | JOINT, LINK               | 1        |         |
| 26       | 65L-41241-10-00 | ROD, LINK                 | 1        |         |
| 27       | 95380-05600-00  | NUT                       | 1        |         |
| 28       | 6H1-41237-00-00 | JOINT, LINK               | 1        |         |
| 29       | 91490-12012-00  | PIN, COTTER               | 1        |         |
| 30       | 90202-05088-00  | WASHER, PLATE             | 1        |         |
| 31       | 60V-24319-00-00 | PIPE, OIL                 | 1        |         |
| 32       | 90468-07M02-00  | CLIP                      | 1        |         |
| 33       | 90467-08M18-00  | CLIP                      | 1        |         |
| 34       | 68F-13100-00-00 | SOLENOID PUMP ASSY        | 1        |         |
| 35       | 68F-13418-00-00 | HOSE 4                    | 1        |         |
| 36       | 68F-13184-00-00 | SPRING, OIL PIPE          | 3        |         |
| 37       | 68F-13440-00-00 | FILTER ASSY               | 1        |         |
| 38       | 68F-1316F-00-00 | HOSE 1                    | 1        |         |
| 39       | 68F-13133-00-00 | CLIP                      | 3        |         |
| 40       | 68F-1316G-00-00 | HOSE 2                    | 1        |         |
| 41       | 68F-1316A-00-00 | CHECK VALVE ASSY          | 1        |         |
| 42       | 68F-13416-00-00 | HOSE 3                    | 1        |         |
| 43       | 90448-08001-00  | HOSE, WITH UNION          | 1        |         |
| 44       | 68F-14485-00-00 | PIPE, JOINT               | 1        |         |
| 45       | 60V-1319K-00-00 | PLATE                     | 1        |         |
| 46       | 97095-06020-00  | BOLT                      | 2        |         |
| 47       | 92995-06100-00  | WASHER, SPRING            | 2        |         |
| 48       | 92995-06600-00  | WASHER                    | 2        |         |
| 49       | 90110-06M06-00  | BOLT, HEXAGON SOCKET HEAD | 1        |         |

## Part Notes

LZ300TXRD 2005 / OIL PUMP

| PART NUMBER   | NOTE TEXT   |
|---|---|
| 6H1-41237-00-00  | OEM: This part number is among the Top 100 Most Popular Marine Maintenance Parts as of February 2013. |
| 92995-06100-00   | OEM: This part number is among the Top 100 Most Popular Marine Maintenance Parts as of February 2013. |







## Part List

LZ300TXRD 2005 / OIL TANK

| REF - NO | PART NUMBER     | PART NAME              | QUANTITY | REMARKS |
|----------|-----------------|------------------------|----------|---------|
| 1        | 61A-21750-00-00 | OIL TANK ASSY          | 1        |         |
| 2        | 6E5-13448-00-00 | .CAP                   | 1        |         |
| 3        | 90465-13M11-00  | .CLAMP                 | 1        |         |
| 4        | 61A-85730-01-00 | OIL LEVEL GAUGE ASSY   | 1        |         |
| 5        | 61A-13411-00-00 | STRAINER, OIL          | 1        |         |
| 6        | 6E5-13414-00-00 | GASKET, STRAINER COVER | 1        |         |
| 7        | 90445-05M07-00  | HOSE (L700)            | 1        |         |
| 8        | 6A0-82317-00-00 | DAMPER, IGNITION COIL  | 3        |         |
| 9        | 624-42542-00-00 | PIPE                   | 3        |         |
| 10       | 90119-06M65-00  | BOLT, WITH WASHER      | 3        |         |
| 11       | 6R3-8259E-00-00 | SWITCH ASSY            | 1        |         |
| 12       | 6E5-24379-00-00 | PIPE, JOINT 4          | 1        |         |
| 13       | 90445-12M04-00  | HOSE (L1900)           | 1        |         |
| 14       | 90465-11M10-00  | CLAMP                  | 2        |         |
| 15       | 6E5-24323-00-00 | PIPE 12                | 1        |         |
| 16       | 6E5-24379-00-00 | PIPE, JOINT 4          | 1        |         |
| 17       | 90465-11M10-00  | CLAMP                  | 2        |         |
| 18       | 90464-13M34-00  | CLAMP                  | 1        |         |
| 19       | 61A-21708-20-00 | SUB OIL TANK ASSY      | 1        | AP      |
| 20       | 6E5-21733-20-00 | .SUB TANK, OIL (105L)  | 1        |         |
| 21       | 6E5-21770-03-00 | .OIL TANK CAP ASSY     | 1        |         |
| 22       | 6E5-24322-00-00 | .PIPE 11               | 1        |         |
| 23       | 90465-11M10-00  | .CLAMP                 | 2        |         |
| 24       | 646-24251-02-00 | .STRAINER 1            | 1        |         |
| 25       | 6E5-24319-01-00 | .PIPE, OIL             | 1        |         |
| 26       | 90465-11M10-00  | .CLAMP                 | 2        |         |
| 27       | 6E5-81900-01-00 | .OIL FEED PUMP ASSY    | 1        |         |
| 28       | 6E5-81922-00-00 | .GROMMET               | 1        |         |
| 29       | 6E5-24321-01-00 | .PIPE 10               | 1        |         |
| 30       | 6E5-24379-00-00 | .PIPE, JOINT 4         | 1        |         |
| 31       | 90445-11M26-00  | .HOSE (L6500)          | 1        |         |
| 32       | 90465-11M10-00  | .CLAMP                 | 4        |         |
| 33       | 6E5-85720-05-00 | .OIL LEVEL GAUGE ASSY  | 1        |         |
| 34       | 6R3-85721-80-00 | .WIRE, LEAD (L=80M)    | 1        |         |
| 35       | 6E5-21734-01-33 | HOLDER, OIL SUB TANK   | 1        | AP      |
| 36       | 6E5-21798-01-33 | BRACKET, DAMPER        | 1        | AP      |
| 37       | 6E5-21746-00-00 | DAMPER                 | 2        | AP      |
| 38       | 97080-06100-00  | BOLT                   | 1        | AP      |
| 39       | 92990-06600-00  | WASHER, PLATE          | 2        | AP      |
| 40       | 95380-06600-00  | NUT, HEXAGON           | 1        | AP      |
| 41       | 90465-13M11-00  | CLAMP                  | 2        | AP      |

## Part Notes

LZ300TXRD 2005 / OIL TANK

| PART NUMBER   | NOTE TEXT   |
|---|---|
| 646-24251-02-00  | OEM: This part number is among the Top 100 Most Popular Marine Maintenance Parts as of February 2013. |
| 92990-06600-00   | OEM: This part number is among the Top 100 Most Popular Marine Maintenance Parts as of February 2013. |







## Part List

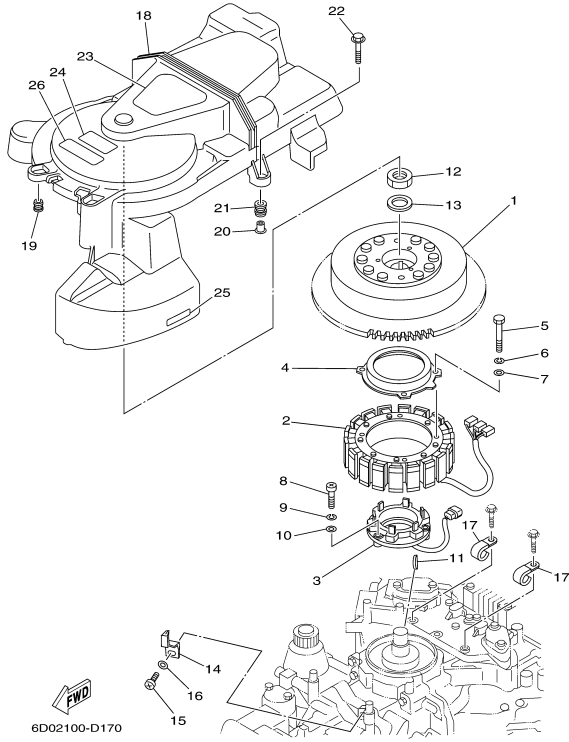
LZ300TXRD 2005 / FUEL

| REF - NO | PART NUMBER     | PART NAME                 | QUANTITY | REMARKS |
|----------|-----------------|---------------------------|----------|---------|
| 1        | 61A-24313-00-00 | PIPE 3                    | 1        |         |
| 2        | 90447-13008-00  | TUBE                      | 1        |         |
| 3        | 90464-13M34-00  | CLAMP                     | 1        |         |
| 4        | 90445-13M17-00  | HOSE (L2700)              | 1        |         |
| 5        | 6R3-24377-00-00 | PIPE, JOINT 2             | 1        |         |
| 6        | 6R3-24377-10-00 | PIPE, JOINT 2             | 1        |         |
| 7        | 6E5-82594-00-00 | CLAMP                     | 1        |         |
| 8        | 90465-11M10-00  | CLAMP                     | 4        |         |
| 9        | 68F-24560-10-00 | FILTER ASSY               | 1        |         |
| 10       | 68F-24562-10-00 | .CUP, FILTER              | 1        |         |
| 11       | 68F-24519-10-00 | ..CLIP                    | 1        |         |
| 12       | 68F-24469-10-00 | ..FLOAT, WATER LEVEL      | 1        |         |
| 13       | 65L-24531-01-00 | .NUT                      | 1        |         |
| 14       | 61A-24564-00-00 | .O-RING                   | 1        |         |
| 15       | 68F-24563-10-00 | .ELEMENT, FILTER          | 1        |         |
| 16       | 65L-24564-00-00 | .O-RING                   | 1        |         |
| 17       | 60H-24558-00-00 | HOLDER, FILTER            | 1        |         |
| 18       | 97595-06416-00  | BOLT, WITH WASHER         | 1        |         |
| 19       | 90201-06068-00  | WASHER, PLATE             | 1        |         |
| 20       | 68F-24566-00-00 | BRACKET, FILTER           | 1        |         |
| 21       | 97595-06514-00  | .BOLT, WITH WASHER        | 1        |         |
| 22       | 90387-06M60-00  | COLLAR                    | 2        |         |
| 23       | 90480-10M23-00  | GROMMET                   | 2        |         |
| 24       | 90119-06M88-00  | BOLT, WITH WASHER         | 2        |         |
| 25       | 68F-24311-00-00 | PIPE, FUEL 1              | 1        |         |
| 26       | 90465-11M10-00  | CLAMP                     | 6        |         |
| 27       | 6E5-24378-00-00 | PIPE, JOINT 3             | 1        |         |
| 28       | 6G5-24315-00-00 | PIPE 5                    | 1        |         |
| 29       | 90447-19004-00  | HOSE, WITH SPRING (L=130) | 1        |         |
| 30       | 6E5-24315-00-00 | PIPE 5                    | 1        |         |
| 31       | 6E5-24410-04-00 | FUEL PUMP ASSY            | 2        |         |
| 32       | 6E5-24444-01-00 | .SCREW                    | 3        |         |
| 33       | 6E5-24413-01-00 | .BODY 2                   | 1        |         |
| 34       | 6E5-24471-01-00 | .DIAPHRAGM                | 1        |         |
| 35       | 6E5-24435-01-00 | .GASKET, BODY 2           | 1        |         |
| 36       | 6E5-24411-01-00 | .DIAPHRAGM                | 1        |         |
| 37       | 648-24424-00-00 | .SEAT, SPRING             | 1        |         |
| 38       | 6E5-24423-00-00 | .SPRING, DIAPHRAGM        | 1        |         |
| 39       | 6E5-24412-11-00 | .BODY 1                   | 1        |         |
| 40       | 6A0-24421-01-00 | ..VALVE, CHECK            | 4        |         |
| 41       | 6A0-14325-00-00 | ..SCREW, PAN HEAD         | 4        |         |
| 42       | 95380-03600-00  | ..NUT                     | 4        |         |
| 43       | 6E5-24492-00-00 | .BUSH, FUEL PUMP          | 2        |         |
| 44       | 6E5-24486-00-00 | .O-RING                   | 2        |         |
| 45       | 650-24431-A0-00 | GASKET, FUEL PUMP 1       | 2        |         |
| 46       | 90110-06126-00  | BOLT, HEXAGON SOCKET HEAD | 4        |         |
| 47       | 92995-06600-00  | WASHER                    | 4        |         |
| 48       | 6G5-24316-10-00 | PIPE 6                    | 1        |         |
| 49       | 6E5-24313-00-00 | PIPE 3                    | 1        |         |
| 50       | 90465-11M10-00  | CLAMP                     | 6        |         |
| 51       | 6E5-24378-00-00 | PIPE, JOINT 3             | 1        |         |
| 52       | 90447-15002-00  | TUBE                      | 1        |         |
| 53       | 90446-15M07-00  | HOSE (L60)                | 1        |         |
| 54       | 90445-13M12-00  | HOSE (L235)               | 1        |         |
| 55       | 90447-13008-00  | TUBE                      | 1        |         |
| 56       | 61H-2819R-31-00 | TAG, WARNING              | 1        |         |

## Part Notes

LZ300TXRD 2005 / FUEL

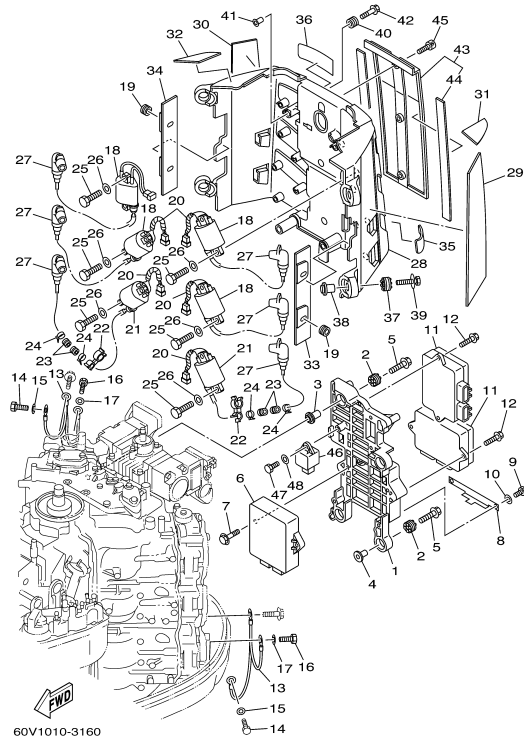
| PART NUMBER   | NOTE TEXT   |
|---|---|
| 61A-24564-00-00  | OEM: This part number is among the Top 100 Most Popular Marine Maintenance Parts as of February 2013. |
| 68F-24563-10-00  | OEM: This part number is among the Top 100 Most Popular Marine Maintenance Parts as of February 2013. |
| 65L-24564-00-00  | OEM: This part number is among the Top 100 Most Popular Marine Maintenance Parts as of February 2013. |
| 650-24431-A0-00  | OEM: This part number is among the Top 100 Most Popular Marine Maintenance Parts as of February 2013. |



## Part List

LZ300TXRD 2005 / GENERATOR

| REF<br>-<br>NO | PART<br>NUMBER  | PART NAME             | QUANTITY | REMARKS |
|----------------|-----------------|-----------------------|----------|---------|
| 1              | 60V-81450-00-00 | ROTOR ASSY            | 1        |         |
| 2              | 60V-81410-02-00 | STATOR ASSY           | 1        |         |
| 3              | 60V-85580-00-00 | COIL, PULSER          | 1        |         |
| 4              | 61A-83721-00-00 | COVER                 | 1        |         |
| 5              | 97013-06035-00  | BOLT                  | 4        |         |
| 6              | 92903-06100-00  | WASHER, SPRING        | 4        |         |
| 7              | 92903-06600-00  | WASHER, PLATE         | 4        |         |
| 8              | 97885-05030-00  | SCREW, PAN HEAD       | 3        |         |
| 9              | 92995-05100-00  | WASHER                | 3        |         |
| 10             | 92995-05600-00  | WASHER                | 3        |         |
| 11             | 90280-05015-00  | KEY, WOODRUFF         | 1        |         |
| 12             | 90170-24M22-00  | NUT                   | 1        |         |
| 13             | 90201-25M02-00  | WASHER, PLATE         | 1        |         |
| 14             | 60V-81332-00-00 | PLATE, TIMING         | 1        |         |
| 15             | 97885-06010-00  | SCREW, PAN HEAD       | 1        |         |
| 16             | 92995-06600-00  | WASHER                | 1        |         |
| 17             | 90465-06M86-00  | CLAMP                 | 2        |         |
| 18             | 60V-81337-00-00 | COVER, FLYWHEEL       | 1        |         |
| 19             | 663-82317-01-00 | DAMPER, IGNITION COIL | 2        |         |
| 20             | 624-42542-00-00 | PIPE                  | 2        |         |
| 21             | 6A0-82317-00-00 | DAMPER, IGNITION COIL | 2        |         |
| 22             | 95895-06030-00  | BOLT, FLANGE          | 2        |         |
| 23             | 60V-14488-00-00 | LABEL, CAUTION        | 1        |         |
| 24             | 6A1-83625-41-00 | MARK 5                | 1        |         |
| 25             | 6E5-85711-40-00 | MARK, CAUTION         | 1        |         |
| 26             | 6K1-83623-41-00 | MARK 3                | 1        | LZ300   |



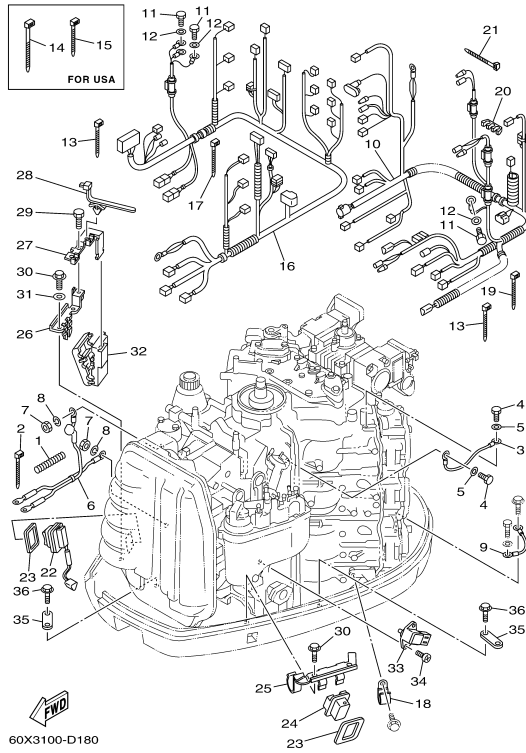
60V1010-3160

## Part List

LZ300TXRD 2005 / ELECTRICAL 1

| REF<br>-<br>NO | PART<br>NUMBER  | PART NAME                   | QUANTITY | REMARKS |
|----------------|-----------------|-----------------------------|----------|---------|
| 1              | 60V-85542-01-94 | BRACKET                     | 1        |         |
| 2              | 60V-85564-00-00 | GROMMET                     | 4        |         |
| 3              | 68F-86129-00-00 | COLLAR                      | 2        |         |
| 4              | 68F-86129-10-00 | COLLAR                      | 2        |         |
| 5              | 68F-85119-00-00 | BOLT                        | 4        |         |
| 6              | 6D0-8591A-11-00 | ENGINE CONTROL UNIT<br>ASSY | 1        |         |
| 7              | 90119-06MA3-00  | BOLT, WITH WASHER           | 2        |         |
| 8              | 60V-85548-00-00 | HOLDER                      | 1        |         |
| 9              | 97013-06014-00  | BOLT                        | 2        |         |
| 10             | 92903-06600-00  | WASHER, PLATE               | 2        |         |
| 11             | 60V-85918-00-00 | DRIVER, INJECTOR ASSY       | 2        |         |
| 12             | 90119-06MA2-00  | BOLT, WITH WASHER           | 4        |         |
| 13             | 6E5-82519-00-00 | WIRE, EARTH LEAD            | 2        |         |
| 14             | 97095-06012-00  | BOLT                        | 2        |         |
| 15             | 92995-06600-00  | WASHER                      | 2        |         |
| 16             | 97095-06012-00  | BOLT                        | 2        |         |
| 17             | 92995-06600-00  | WASHER                      | 2        |         |
| 18             | 60V-82310-00-00 | IGNITION COIL ASSY          | 4        |         |
| 19             | 90480-25161-00  | GROMMET                     | 4        |         |
| 20             | 90446-10M01-00  | HOSE (L60)                  | 5        |         |
| 21             | 60V-82310-10-00 | IGNITION COIL ASSY          | 2        |         |
| 22             | 90464-18003-00  | CLAMP                       | 2        |         |
| 23             | 90480-22M15-00  | GROMMET                     | 4        |         |
| 24             | 90465-11M10-00  | CLAMP                       | 4        |         |
| 25             | 97013-05020-00  | BOLT                        | 12       |         |
| 26             | 92903-05600-00  | WASHER, PLATE               | 12       |         |
| 27             | 68F-82370-01-00 | PLUG CAP ASSY               | 6        |         |
| 28             | 60V-82314-01-00 | COVER, IGNITION COIL        | 1        |         |
| 29             | 60V-24198-00-00 | SEAT, RUBBER                | 1        |         |
| 30             | 60V-24198-10-00 | SEAT, RUBBER                | 1        |         |
| 31             | 60V-8818D-00-00 | SEAT 1                      | 1        |         |
| 32             | 60V-8818D-10-00 | SEAT 1                      | 1        |         |
| 33             | 60V-23116-00-00 | SEAT 2                      | 1        |         |
| 34             | 60V-23116-10-00 | SEAT 2                      | 1        |         |
| 35             | 60V-2318U-00-00 | PLATE, SEAT                 | 3        |         |
| 36             | 60V-2318U-10-00 | PLATE, SEAT                 | 3        |         |
| 37             | 68F-85516-01-00 | SPACER                      | 4        |         |
| 38             | 68F-86129-10-00 | COLLAR                      | 4        |         |
| 39             | 68F-85119-00-00 | BOLT                        | 4        |         |
| 40             | 6A0-82317-00-00 | DAMPER, IGNITION COIL       | 4        |         |
| 41             | 624-42542-00-00 | PIPE                        | 4        |         |
| 42             | 90119-06M65-00  | BOLT, WITH WASHER           | 4        |         |
| 43             | 60V-8252U-01-00 | COVER                       | 1        |         |
| 44             | 60V-23115-00-00 | .SEAT 1                     | 2        |         |
| 45             | 90111-06034-00  | BOLT,HEX. SOCKET BUTTON     | 3        |         |
| 46             | 68V-81950-00-00 | .RELAY ASSY                 | 1        |         |
| 47             | 97095-06016-00  | BOLT                        | 1        |         |
| 48             | 92995-06600-00  | WASHER                      | 1        |         |






Part List

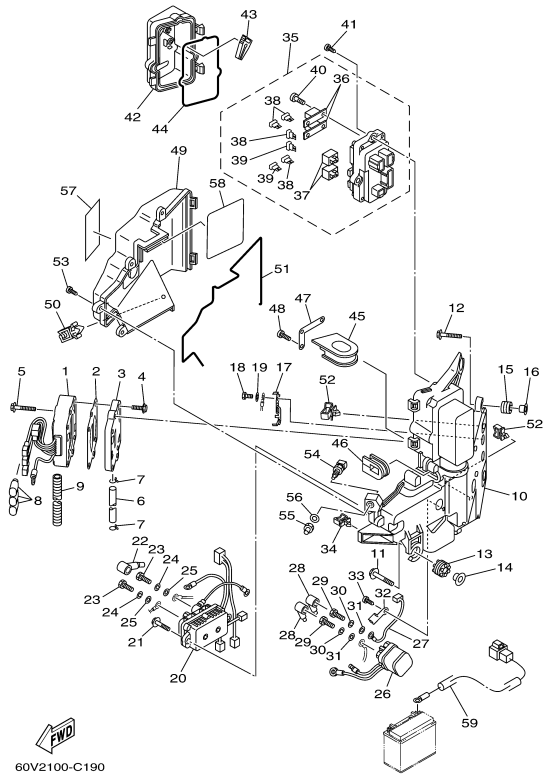
LZ300TXRD 2005 / ELECTRICAL 2

| REF - NO | PART NUMBER     | PART NAME               | QUANTITY | REMARKS                     |
|----------|-----------------|-------------------------|----------|-----------------------------|
| 1        | 90447-07011-00  | TUBE                    | 1        |                             |
| 2        | 90465-11M10-00  | CLAMP                   | 1        |                             |
| 3        | 61A-81949-00-00 | WIRE, LEAD              | 1        |                             |
| 4        | 97095-06012-00  | BOLT                    | 2        |                             |
| 5        | 92995-06600-00  | WASHER                  | 2        |                             |
| 6        | 60V-82105-00-00 | WIRE HARNESS            | 1        |                             |
| 7        | 95333-08600-00  | NUT                     | 2        |                             |
| 8        | 92903-08100-00  | WASHER, SPRING          | 2        |                             |
| 9        | 6D0-82531-00-00 | WIRE, LEAD              | 1        |                             |
| 10       | 60V-82590-51-00 | WIRE HARNESS ASSY       | 1        |                             |
| 11       | 97095-06012-00  | BOLT                    | 4        |                             |
| 12       | 92995-06600-00  | WASHER                  | 4        |                             |
| 13       | 90465-11M52-00  | CLAMP                   | 2        |                             |
| 14       | 90465-13M18-00  | CLAMP                   | 1        |                             |
| 15       | 90465-11M10-00  | CLAMP                   | 2        |                             |
| 16       | 6D0-8259M-20-00 | WIRE HARNESS ASSY 2     | 1        | WATER INTR KIT INSTALLATION |
| 16       | 60V-8259M-20-00 | WIRE HARNESS ASSY 2     | 1        |                             |
| 17       | 90465-11M52-00  | CLAMP                   | 2        |                             |
| 18       | 90465-05M87-00  | CLAMP                   | 1        |                             |
| 19       | 90465-11M10-00  | CLAMP                   | 1        |                             |
| 20       | 90464-11008-00  | CLAMP                   | 1        |                             |
| 21       | 90465-11M10-00  | CLAMP                   | 1        |                             |
| 22       | 69J-82563-00-00 | TRIM & TILT SWITCH ASSY | 1        |                             |
| 23       | 69J-82587-00-00 | GASKET                  | 2        |                             |
| 24       | 69J-42723-00-00 | COVER, BOTTOM           | 1        |                             |
| 25       | 60V-83614-20-00 | BRACKET                 | 1        |                             |
| 26       | 60V-83614-10-00 | BRACKET                 | 1        |                             |
| 27       | 60V-83635-10-00 | BRACKET                 | 1        |                             |
| 28       | 90464-20213-00  | CLAMP                   | 2        |                             |
| 29       | 97095-06014-00  | BOLT                    | 1        |                             |
| 30       | 90109-06M86-00  | BOLT                    | 4        |                             |
| 31       | 60V-83618-00-00 | PLATE                   | 1        |                             |
| 32       | 68F-83634-00-00 | GROMMET                 | 1        |                             |
| 33       | 67H-82380-00-00 | SENSOR, PRESSURE        | 1        |                             |
| 34       | 98580-06520-00  | SCREW, PAN HEAD         | 2        |                             |
| 35       | 6E5-82588-00-00 | PLATE                   | 2        |                             |
| 36       | 95895-06020-00  | BOLT, FLANGE            | 2        |                             |

Part Notes

LZ300TXRD 2005 / ELECTRICAL 2

| PART NUMBER     | NOTE TEXT  |
|-----------------|--|
| 60V-8259M-20-00 |  OEM: All Z300 and LZ300 models which call for this part number and have had the water-intrusion kit added per technical bulletin O2005-006 (not applicable to VZ300 models) will require p/n 6D0-8259M-20-00 instead |



FWD  
60V2100-C190



Part List

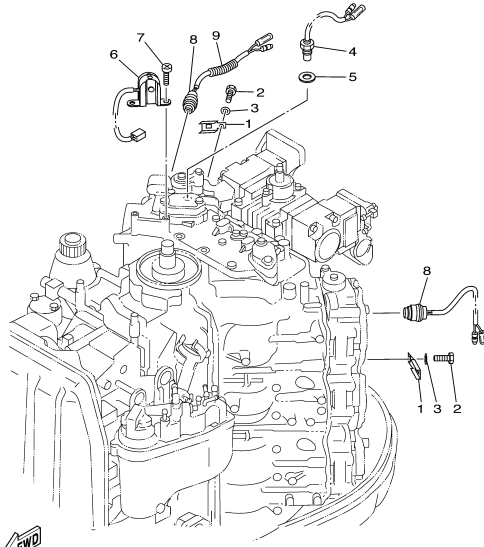
LZ300TXRD 2005 / ELECTRICAL 3

| REF - NO | PART NUMBER     | PART NAME                   | QUANTITY | REMARKS |
|----------|-----------------|-----------------------------|----------|---------|
| 1        | 60V-81960-01-00 | RECTIFIER & REGULATOR ASSY  | 1        |         |
| 2        | 60V-81975-A0-00 | PLATE, RECTIFIER FITTING    | 1        |         |
| 3        | 60V-81972-00-1S | COVER, RECTIFIER            | 1        |         |
| 4        | 90119-06MA3-00  | BOLT, WITH WASHER           | 4        |         |
| 5        | 90119-06MA4-00  | BOLT, WITH WASHER           | 2        |         |
| 6        | 90445-09M25-00  | HOSE (L600)                 | 2        |         |
| 7        | 90467-08M18-00  | CLIP                        | 2        |         |
| 8        | 6L2-82599-01-00 | COVER, CONNECTER            | 3        |         |
| 9        | 90447-10004-00  | TUBE                        | 1        |         |
| 10       | 60V-81948-00-00 | BRACKET                     | 1        |         |
| 11       | 68F-85119-00-00 | BOLT                        | 3        |         |
| 12       | 90119-06M65-00  | BOLT, WITH WASHER           | 1        |         |
| 13       | 68F-85516-01-00 | SPACER                      | 3        |         |
| 14       | 68F-86129-00-00 | COLLAR                      | 3        |         |
| 15       | 6A0-82317-00-00 | DAMPER, IGNITION COIL       | 1        |         |
| 16       | 624-42542-00-00 | PIPE                        | 1        |         |
| 17       | 60V-87149-00-00 | CONNECTOR                   | 1        |         |
| 18       | 97095-06012-00  | BOLT                        | 2        |         |
| 19       | 92995-06600-00  | WASHER                      | 2        |         |
| 20       | 60V-81950-00-00 | RELAY ASSY                  | 1        |         |
| 21       | 90119-06MA4-00  | BOLT, WITH WASHER           | 2        |         |
| 22       | 682-82119-01-00 | COVER, LEAD WIRE            | 1        |         |
| 23       | 97095-06010-00  | BOLT                        | 2        |         |
| 24       | 92995-06100-00  | WASHER, SPRING              | 2        |         |
| 25       | 92995-06600-00  | WASHER                      | 2        |         |
| 26       | 68V-8194A-00-00 | RELAY                       | 1        |         |
| 27       | 68F-82117-00-00 | WIRE, LEAD                  | 1        |         |
| 28       | 682-82119-01-00 | COVER, LEAD WIRE            | 2        |         |
| 29       | 97095-06010-00  | BOLT                        | 2        |         |
| 30       | 92995-06100-00  | WASHER, SPRING              | 2        |         |
| 31       | 92995-06600-00  | WASHER                      | 2        |         |
| 32       | 68V-81953-00-00 | STAY, RELAY                 | 1        |         |
| 33       | 97780-60620-00  | SCREW, TAPPING              | 1        |         |
| 34       | 90464-23199-00  | CLAMP                       | 2        |         |
| 35       | 60V-82170-01-00 | FUSE BOX ASSY               | 1        |         |
| 36       | 6P2-82151-00-00 | .FUSE (60A)                 | 2        |         |
| 37       | 68F-8195A-00-00 | .RELAY ASSY                 | 2        |         |
| 38       | 67F-82151-00-00 | .FUSE (20A)                 | 4        |         |
| 39       | 67F-82151-10-00 | .FUSE (30A)                 | 2        |         |
| 40       | 68F-82846-00-00 | .SCREW, PAN HEAD (M5)       | 4        |         |
| 41       | 97780-50620-00  | SCREW, TAPPING              | 3        |         |
| 42       | 60V-85544-00-00 | CASE                        | 1        |         |
| 43       | 67F-2812A-00-00 | PULLER, FUSE                | 1        |         |
| 44       | 60V-82157-00-00 | DAMPER                      | 1        |         |
| 45       | 60V-81336-00-00 | GROMMET                     | 1        |         |
| 46       | 60V-81336-10-00 | GROMMET                     | 1        |         |
| 47       | 60V-81128-00-00 | CLAMP                       | 1        |         |
| 48       | 97780-50620-00  | SCREW, TAPPING              | 3        |         |
| 49       | 60V-81942-10-00 | COVER                       | 1        |         |
| 50       | 90464-08004-00  | CLAMP                       | 1        |         |
| 51       | 60V-82176-00-00 | DAMPER                      | 1        |         |
| 52       | 90464-23199-00  | CLAMP                       | 2        |         |
| 53       | 90169-05M00-00  | SCREW, TRUSS HEAD TAPPING   | 4        |         |
| 54       | 65L-85886-00-00 | THERMOSENSOR                | 1        |         |
| 55       | 60V-85553-00-00 | NUT, ROTOR                  | 1        |         |
| 56       | 90201-12M34-00  | .WASHER, PLATE              | 1        |         |
| 57       | 60V-81919-01-00 | GRAPHIC, REGULATOR          | 1        |         |
| 58       | 60V-81919-10-00 | GRAPHIC, REGULATOR          | 1        |         |
| 59       | 69J-81949-00-00 | WIRE, LEAD (ISOLATOR CABLE) | 1        | AP      |

Part Notes

LZ300TXRD 2005 / ELECTRICAL 3

| PART NUMBER  | NOTE TEXT   |
|--|---|
| 92995-06100-00  | OEM: This part number is among the Top 100 Most Popular Marine Maintenance Parts as of February 2013. |
| 92995-06100-00  | OEM: This part number is among the Top 100 Most Popular Marine Maintenance Parts as of February 2013. |



60V1010-3190


## Part List

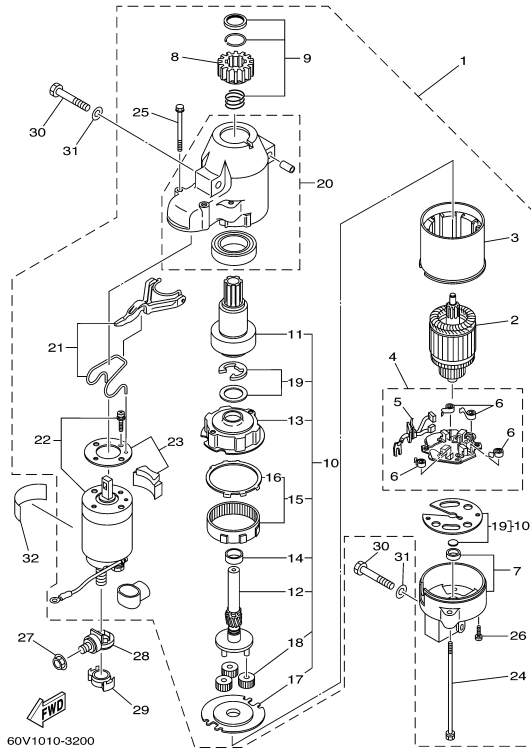
LZ300TXRD 2005 / ELECTRICAL 4

| REF<br>-<br>NO | PART<br>NUMBER  | PART NAME             | QUANTITY | REMARKS |
|----------------|-----------------|-----------------------|----------|---------|
| 1              | 60V-82588-00-00 | PLATE                 | 3        |         |
| 2              | 97095-06012-00  | BOLT                  | 3        |         |
| 3              | 92995-06600-00  | WASHER                | 3        |         |
| 4              | 61A-85790-00-00 | THERMOSENSOR ASSY     | 1        |         |
| 5              | 92990-10600-00  | WASHER, PLATE         | 1        |         |
| 6              | 61A-85895-00-00 | CRANK POSITION SENDER | 1        |         |
| 7              | 97885-05012-00  | SCREW, PAN HEAD       | 2        |         |
| 8              | 688-82560-10-00 | THERMO SWITCH ASSY    | 2        |         |
| 9              | 90446-10M87-00  | HOSE (L75)            | 1        |         |

## Part Notes

LZ300TXRD 2005 / ELECTRICAL 4

| PART NUMBER  | NOTE TEXT   |
|--|---|
| 92990-10600-00  | OEM: This part number is among the Top 100 Most Popular Marine Maintenance Parts as of February 2013. |

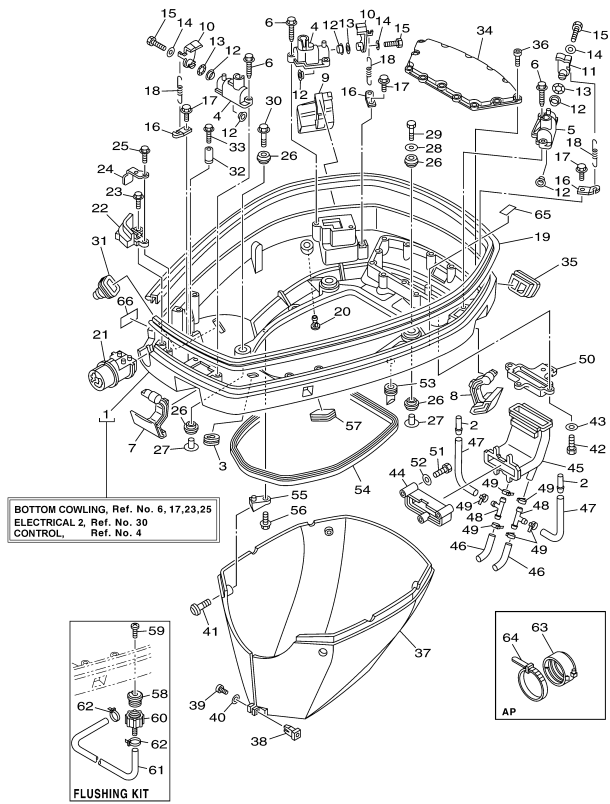


## Part List

LZ300TXRD 2005 / STARTING MOTOR

| REF<br>-<br>NO | PART<br>NUMBER  | PART NAME                     | QUANTITY | REMARKS |
|----------------|-----------------|-------------------------------|----------|---------|
| 1              | 6C9-81800-00-00 | STARTING MOTOR ASSY           | 1        |         |
| 2              | 67F-81850-00-00 | .ARMATURE ASSY                | 1        |         |
| 3              | 67F-81810-00-00 | .STATOR ASSY                  | 1        |         |
| 4              | 69J-81840-00-00 | .BRUSH HOLDER ASSY            | 1        |         |
| 5              | 69J-81801-00-00 | ..BRUSH SET                   | 1        |         |
| 6              | 67F-81813-00-00 | ..SPRING, BRUSH               | 4        |         |
| 7              | 68F-81820-00-00 | .REAR BRACKET ASSY            | 1        |         |
| 8              | 67F-81808-00-00 | .PINION ASSY                  | 1        |         |
| 9              | 67F-81857-00-00 | .PINION STOPPER SET           | 1        |         |
| 10             | 67F-81807-00-00 | .GEAR ASSY, STARTING<br>MOTOR | 1        |         |
| 11             | 67F-81832-00-00 | ..CLUTCH, OVER RUN            | 1        |         |
| 12             | 67F-81836-00-00 | ..SHAFT, PINION               | 1        |         |
| 13             | 67F-81821-00-00 | ..BRACKET, CENTER 1           | 1        |         |
| 14             | 67F-81841-00-00 | ..BEARING                     | 1        |         |
| 15             | 67F-81891-00-00 | ..GEAR, RING                  | 1        |         |
| 16             | 67F-8183R-00-00 | ...GASKET                     | 1        |         |
| 17             | 67F-81830-00-00 | ..BRACKET, CENTER 2           | 1        |         |
| 18             | 60V-8183T-00-00 | ..GEAR, IDLER                 | 3        |         |
| 19             | 67F-81809-00-00 | ..WASHER KIT                  | 1        |         |
| 20             | 60X-81842-00-00 | .COVER                        | 1        |         |
| 21             | 69J-81839-00-00 | .LEVER ASSY                   | 1        |         |
| 22             | 6C9-81941-00-00 | .STARTER RELAY ASSY           | 1        |         |
| 23             | 69J-81869-00-00 | .COVER, DUST                  | 1        |         |
| 24             | 6K7-81826-10-00 | .BOLT                         | 2        |         |
| 25             | 69J-81828-00-00 | .SCREW 2                      | 2        |         |
| 26             | 67F-81846-00-00 | .SCREW                        | 2        |         |
| 27             | 90179-08003-00  | NUT                           | 1        |         |
| 28             | 60V-81925-00-00 | TERMINAL                      | 1        |         |
| 29             | 68F-82582-00-00 | COVER, WIRE HARNESS           | 1        |         |
| 30             | 97013-08045-00  | BOLT                          | 3        |         |
| 31             | 92903-08600-00  | WASHER, PLATE                 | 3        |         |
| 32             | 67F-83627-01-00 | LABEL, CAUTION 7              | 1        |         |



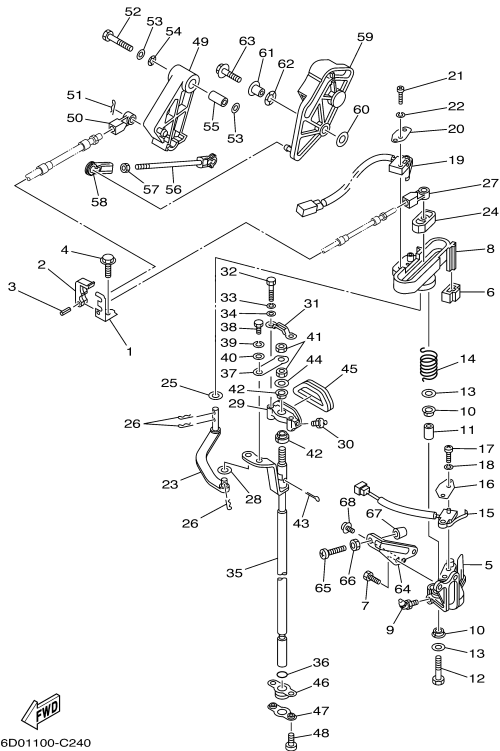


6D02110-D210

## Part List

LZ300TXRD 2005 / BOTTOM COWLING

| REF - NO | PART NUMBER     | PART NAME                 | QUANTITY | REMARKS      |
|----------|-----------------|---------------------------|----------|--------------|
| 1        | 60V-42710-00-8D | BOTTOM COWLING ASSY       | 1        |              |
| 2        | 6E5-24377-00-00 | PIPE, JOINT 2             | 2        |              |
| 3        | 6D0-42727-00-00 | GROMMET                   | 1        |              |
| 4        | 68F-42828-00-94 | PLATE, CLAMP              | 2        |              |
| 5        | 68F-42828-10-94 | PLATE, CLAMP              | 1        |              |
| 6        | 90109-06M82-00  | BOLT                      | 6        |              |
| 7        | 60V-42815-00-8D | LEVER, CLAMP              | 1        |              |
| 8        | 60V-42816-00-8D | LEVER, CLAMP              | 1        |              |
| 9        | 60V-42817-00-8D | LEVER, CLAMP              | 1        |              |
| 10       | 68F-42818-01-00 | LEVER, CLAMP              | 2        |              |
| 11       | 6D8-42818-00-00 | LEVER, CLAMP              | 1        |              |
| 12       | 90386-15M73-00  | BUSH                      | 6        |              |
| 13       | 90206-15M18-00  | WASHER, WAVE              | 3        |              |
| 14       | 90201-06068-00  | WASHER, PLATE             | 3        |              |
| 15       | 97095-06016-00  | BOLT                      | 3        |              |
| 16       | 64D-43144-00-00 | HOOK, SPRING              | 3        |              |
| 17       | 90109-06M80-00  | .BOLT                     | 3        |              |
| 18       | 90506-16M34-00  | SPRING, TENSION           | 3        |              |
| 19       | 60V-42615-00-00 | SEAL                      | 1        |              |
| 20       | 6E5-44391-00-00 | NIPPLE, HOSE              | 1        |              |
| 21       | 60V-42725-00-00 | GROMMET                   | 1        |              |
| 22       | 60V-42738-00-8D | PLATE, FITTING            | 1        |              |
| 23       | 90109-06M81-00  | BOLT                      | 2        |              |
| 24       | 64D-42738-10-5B | PLATE, FITTING            | 1        |              |
| 25       | 90109-06M81-00  | BOLT                      | 1        |              |
| 26       | 90480-22M81-00  | GROMMET                   | 8        |              |
| 27       | 90387-08M37-00  | COLLAR                    | 4        |              |
| 28       | 90201-08M54-00  | WASHER, PLATE             | 1        |              |
| 29       | 97075-08035-00  | BOLT                      | 1        |              |
| 30       | 90119-08M22-00  | BOLT, WITH WASHER         | 3        |              |
| 31       | 688-42726-10-00 | GROMMET                   | 1        |              |
| 32       | 6E5-82588-00-00 | PLATE                     | 1        |              |
| 33       | 95895-06020-00  | BOLT, FLANGE              | 1        |              |
| 34       | 6D0-42723-00-5B | COVER, BOTTOM             | 1        |              |
| 35       | 60V-42718-00-00 | RUBBER, SEAL 3            | 1        |              |
| 36       | 90110-06038-00  | BOLT, HEXAGON SOCKET HEAD | 13       |              |
| 37       | 60V-42741-00-8D | APRON                     | 1        |              |
| 38       | 60V-42756-00-00 | STAY, CLAMP               | 1        |              |
| 39       | 97880-04016-00  | SCREW, PAN HEAD           | 1        |              |
| 40       | 92990-04600-00  | WASHER, PLATE             | 1        |              |
| 41       | 90111-06034-00  | BOLT, HEX. SOCKET BUTTON  | 4        |              |
| 42       | 97095-06020-00  | BOLT                      | 4        |              |
| 43       | 92995-06600-00  | WASHER                    | 4        |              |
| 44       | 60V-12581-00-00 | JOINT, HOSE 1             | 1        |              |
| 45       | 60V-12576-00-00 | HOSE 1                    | 1        |              |
| 46       | 60V-12578-00-00 | HOSE 3                    | 2        |              |
| 47       | 60V-12588-00-00 | HOSE 5                    | 2        |              |
| 48       | 6E5-24378-00-00 | PIPE, JOINT 3             | 2        |              |
| 49       | 90465-11M10-00  | CLAMP                     | 6        |              |
| 50       | 60V-42771-00-00 | APRON                     | 1        |              |
| 51       | 97075-08055-00  | BOLT                      | 3        |              |
| 52       | 92995-08600-00  | WASHER                    | 3        |              |
| 53       | 61A-42717-00-00 | RUBBER, SEAL 2            | 4        |              |
| 54       | 61A-42716-00-00 | RUBBER, SEAL 1            | 1        |              |
| 55       | 60V-42774-00-00 | STAY, APRON 1             | 4        |              |
| 56       | 95895-06016-00  | BOLT, FLANGE              | 4        |              |
| 57       | 6H4-42726-00-00 | GROMMET                   | 1        |              |
| 58       | 6R3-12572-00-00 | .ADAPTER                  | 1        | FLUSHING KIT |
| 59       | 90169-05M00-00  | SCREW, TRUSS HEAD TAPPING | 1        | FLUSHING KIT |
| 60       | 6R3-12580-00-00 | JOINT ASSY                | 1        | FLUSHING KIT |
| 61       | 90445-11M36-00  | HOSE (L: 620)             | 1        | FLUSHING KIT |
| 62       | 90465-11M10-00  | CLAMP                     | 2        | FLUSHING KIT |
| 63       | 68F-42753-00-00 | FASTNER                   | 1        | AP           |
| 64       | 90464-20258-00  | CLAMP                     | 1        | AP           |
| 65       | 68H-42791-01-00 | MARK 1                    | 1        |              |
| 66       | 60V-2415E-40-00 | LABEL, CAUTION            | 1        |              |






Part List

LZ300TXRD 2005 / CONTROL

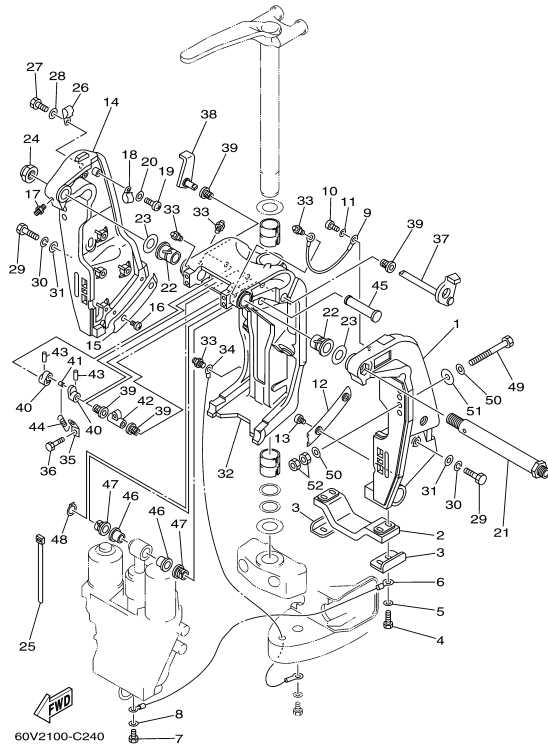
| REF - NO | PART NUMBER     | PART NAME                 | QUANTITY | REMARKS |
|----------|-----------------|---------------------------|----------|---------|
| 1        | 60V-48531-10-00 | BRACKET, REMOTE CONTROL 1 | 1        |         |
| 2        | 663-48538-00-00 | CLAMP, CABLE 1            | 1        |         |
| 3        | 91690-30010-00  | PIN, SPRING               | 1        |         |
| 4        | 90109-06M80-00  | .BOLT                     | 1        |         |
| 5        | 60V-44117-00-1S | BRACKET                   | 1        |         |
| 6        | 60V-44194-00-00 | CAP                       | 1        |         |
| 7        | 97095-06020-00  | BOLT                      | 2        |         |
| 8        | 60V-44176-00-1S | BRACKET                   | 1        |         |
| 9        | 93700-06M01-00  | NIPPLE, GREASE            | 1        |         |
| 10       | 90386-12069-00  | BUSH                      | 2        |         |
| 11       | 90387-08M09-00  | COLLAR                    | 1        |         |
| 12       | 97095-08035-00  | BOLT                      | 1        |         |
| 13       | 92995-08200-00  | WASHER                    | 2        |         |
| 14       | 90508-20M31-00  | SPRING, TORSION           | 1        |         |
| 15       | 61A-8259F-00-00 | SWITCH ASSY               | 1        |         |
| 16       | 61A-82588-01-00 | PLATE                     | 1        |         |
| 17       | 97885-04016-00  | SCREW, PAN HEAD           | 2        |         |
| 18       | 92995-04100-00  | WASHER                    | 2        |         |
| 19       | 60V-8259F-00-00 | SWITCH ASSY               | 1        |         |
| 20       | 61A-82588-01-00 | PLATE                     | 1        |         |
| 21       | 97885-04016-00  | SCREW, PAN HEAD           | 2        |         |
| 22       | 92995-04100-00  | WASHER                    | 2        |         |
| 23       | 61A-44121-00-00 | LEVER, SHIFT ROD          | 1        |         |
| 24       | 68J-44122-01-00 | BUSHING, SHIFT ROD LEVER  | 1        |         |
| 25       | 90202-08M20-00  | WASHER, PLATE             | 1        |         |
| 26       | 90468-18008-00  | CLIP                      | 3        |         |
| 27       | 6E5-48344-00-00 | CABLE END, REMOTE CONTROL | 1        |         |
| 28       | 90202-06007-00  | WASHER, PLATE             | 1        |         |
| 29       | 61A-44118-00-8D | BRACKET                   | 1        |         |
| 30       | 93700-06M03-00  | NIPPLE, GREASE            | 1        |         |
| 31       | 61A-44116-00-00 | SPRING                    | 1        |         |
| 32       | 97095-06030-00  | BOLT                      | 2        |         |
| 33       | 92995-06100-00  | WASHER, SPRING            | 2        |         |
| 34       | 92995-06600-00  | WASHER                    | 2        |         |
| 35       | 61A-44120-32-00 | HANDLE GEAR SHIFT ASSY    | 1        | UR U    |
| 35       | 61A-44120-22-00 | HANDLE GEAR SHIFT ASSY    | 1        | UR X    |
| 36       | 93210-09165-00  | O-RING                    | 1        |         |
| 37       | 61A-44112-00-00 | STAY, HANDLE GEAR SHIFT   | 1        |         |
| 38       | 97013-06012-00  | BOLT                      | 1        |         |
| 39       | 92903-06100-00  | WASHER, SPRING            | 1        |         |
| 40       | 92903-06600-00  | WASHER, PLATE             | 1        |         |
| 41       | 95313-08600-00  | NUT                       | 2        |         |
| 42       | 90386-90M90-00  | BUSH                      | 2        |         |
| 43       | 91490-20012-00  | PIN. COTTER               | 1        |         |
| 44       | 90201-09M02-00  | WASHER, PLATE             | 1        |         |
| 45       | 61A-15315-00-00 | SEAL, CRANKCASE           | 1        |         |
| 46       | 61A-42724-00-00 | GROMMET                   | 1        |         |
| 47       | 61A-44138-00-00 | WASHER                    | 1        |         |
| 48       | 97885-06008-00  | SCREW, PAN HEAD           | 2        |         |
| 49       | 65L-41632-01-00 | LEVER, MAGNETO CONTROL    | 1        |         |
| 50       | 6E5-48344-00-00 | CABLE END, REMOTE CONTROL | 1        |         |
| 51       | 90468-18008-00  | CLIP                      | 1        |         |
| 52       | 97013-08045-00  | BOLT                      | 1        |         |
| 53       | 92990-08200-00  | WASHER, PLAIN             | 2        |         |
| 54       | 90206-12M00-00  | WASHER, WAVE              | 1        |         |
| 55       | 90387-08M16-00  | COLLAR                    | 1        |         |
| 56       | 61A-41237-00-00 | JOINT, LINK               | 1        |         |
| 57       | 95380-05600-00  | NUT                       | 1        |         |
| 58       | 6H4-41237-00-00 | JOINT, LINK               | 1        |         |
| 59       | 6D0-41230-00-00 | CAM ACCELERATOR COMP      | 1        |         |
| 60       | 90201-06M31-00  | WASHER, PLATE             | 1        |         |
| 61       | 90387-06M29-00  | COLLAR                    | 1        |         |
| 62       | 90206-10M04-00  | WASHER, WAVE              | 1        |         |
| 63       | 90119-06MA4-00  | BOLT, WITH WASHER         | 1        |         |
| 64       | 69L-42744-00-00 | STAY                      | 1        |         |
| 65       | 90157-06006-00  | SCREW, PAN HEAD           | 1        |         |
| 66       | 95380-06600-00  | NUT, HEXAGON              | 1        |         |
| 67       | 688-44194-00-00 | CAP                       | 1        |         |
| 68       | 90159-05M25-00  | .SCREW, WITH WASHER       | 1        |         |

Part Notes

LZ300TXRD 2005 / CONTROL

| PART NUMBER  | NOTE TEXT   |
|--|---|
| 90468-18008-00  | OEM: This part number is among the Top 100 Most Popular Marine Maintenance Parts as of February 2013. |
| 93700-06M03-00  | OEM: This part number is among the Top 100 Most Popular Marine Maintenance Parts as of February 2013. |
| 92995-06100-00  | OEM: This part number is among the Top 100 Most Popular Marine Maintenance Parts as of February 2013. |
| 90468-18008-00   | OEM: This part number is among the Top 100 Most Popular Marine Maintenance Parts as of February 2013. |








## Part List

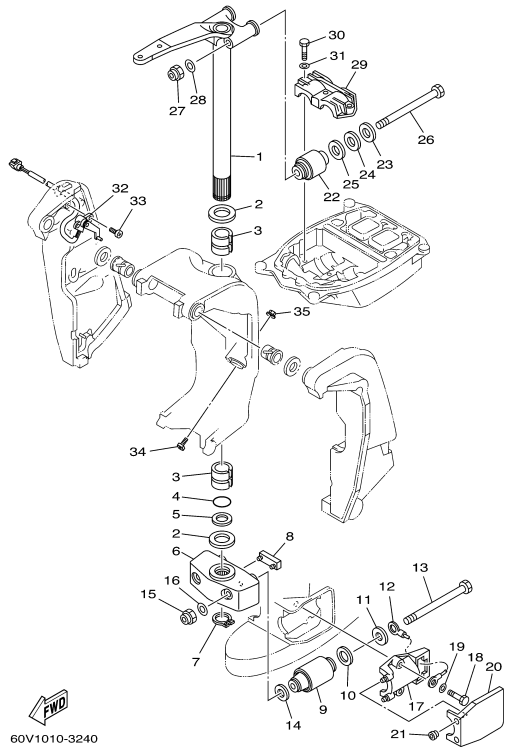
LZ300TXRD 2005 / BRACKET 1

| REF - NO | PART NUMBER     | PART NAME              | QUANTITY | REMARKS |
|----------|-----------------|------------------------|----------|---------|
| 1        | 69J-43111-01-8D | BRACKET, CLAMP 1       | 1        |         |
| 2        | 6G5-45251-02-00 | ANODE                  | 1        |         |
| 3        | 6G5-44526-00-00 | PLATE                  | 2        |         |
| 4        | 97095-06025-00  | BOLT                   | 4        |         |
| 5        | 92995-06600-00  | WASHER                 | 4        |         |
| 6        | 6H1-82148-00-00 | WIRE, LEAD 4           | 1        |         |
| 7        | 97095-06010-00  | BOLT                   | 1        |         |
| 8        | 92995-06600-00  | WASHER                 | 1        |         |
| 9        | 6E5-82148-00-00 | WIRE, LEAD 4           | 1        |         |
| 10       | 97885-06012-00  | SCREW, PAN HEAD        | 1        |         |
| 11       | 92995-06600-00  | WASHER                 | 1        |         |
| 12       | 61A-43132-00-00 | WASHER, FRICTION       | 1        |         |
| 13       | 97885-06010-00  | SCREW, PAN HEAD        | 2        |         |
| 14       | 69J-43112-01-8D | BRACKET, CLAMP 2       | 1        |         |
| 15       | 61A-43133-00-00 | WASHER, FRICTION       | 1        |         |
| 16       | 97885-06010-00  | SCREW, PAN HEAD        | 2        |         |
| 17       | 93700-06M03-00  | NIPPLE, GREASE         | 1        |         |
| 18       | 90465-08M83-00  | CLAMP                  | 1        |         |
| 19       | 97885-06012-00  | SCREW, PAN HEAD        | 1        |         |
| 20       | 92995-06600-00  | WASHER                 | 1        |         |
| 21       | 6R3-43131-00-00 | BOLT, CLAMP BRACKET    | 1        |         |
| 22       | 90386-25M31-00  | BUSH                   | 2        |         |
| 23       | 90201-26M59-00  | WASHER, PLATE          | 2        |         |
| 24       | 90185-22M11-00  | NUT, SELF-LOCKING      | 1        |         |
| 25       | 90465-11M10-00  | CLAMP                  | 4        |         |
| 26       | 90465-08M83-00  | CLAMP                  | 1        |         |
| 27       | 97095-06014-00  | BOLT                   | 1        |         |
| 28       | 92995-06600-00  | WASHER                 | 1        |         |
| 29       | 97095-10045-00  | BOLT                   | 8        |         |
| 30       | 92995-10100-00  | WASHER                 | 8        |         |
| 31       | 92995-10600-00  | WASHER                 | 8        |         |
| 32       | 61A-43311-31-8D | BRACKET, SWIVEL 1      | 1        | UR U    |
| 32       | 61A-43311-21-8D | BRACKET, SWIVEL 1      | 1        | UR X    |
| 33       | 93700-06M03-00  | NIPPLE, GREASE         | 5        |         |
| 34       | 61A-82147-30-00 | WIRE, LEAD 4           | 1        | UR U    |
| 34       | 61A-82147-20-00 | WIRE, LEAD 4           | 1        | UR X    |
| 35       | 6G5-43144-00-00 | HOOK, SPRING           | 1        |         |
| 36       | 97095-06010-00  | BOLT                   | 1        |         |
| 37       | 61A-43181-01-00 | LEVER, TILT STOP 1     | 1        |         |
| 38       | 6G5-43185-02-00 | LEVER, TILT STOP 2     | 1        |         |
| 39       | 90386-10M16-00  | BUSH                   | 4        |         |
| 40       | 6G5-43148-00-00 | COLLAR, DISTANCE       | 2        |         |
| 41       | 90249-06M19-00  | PIN                    | 1        |         |
| 42       | 90387-10M02-00  | COLLAR                 | 1        |         |
| 43       | 91690-30020-00  | PIN, SPRING            | 2        |         |
| 44       | 90506-16003-00  | SPRING, TENSION        | 1        |         |
| 45       | 6E5-43126-02-00 | PIN, UPPER SHOCK MOUNT | 1        |         |
| 46       | 90386-18M63-00  | BUSH                   | 2        |         |
| 47       | 90386-18M14-00  | BUSH                   | 2        |         |
| 48       | 93410-18M02-00  | CIRCLIP                | 1        |         |
| 49       | 90101-12M77-00  | BOLT (L:150MM)         | 2        | UR      |
| 49       | 90101-12M05-00  | BOLT (L:130MM)         | 4        | UR      |
| 50       | 90201-13M01-00  | WASHER, PLATE          | 8        |         |
| 51       | 90201-12M05-00  | WASHER, PLATE          | 4        |         |
| 52       | 95380-12600-00  | NUT                    | 8        |         |

## Part Notes

LZ300TXRD 2005 / BRACKET 1

| PART NUMBER   | NOTE TEXT   |
|---|---|
| 6G5-45251-02-00  | OEM: This part number is among the Top 100 Most Popular Marine Maintenance Parts as of February 2013. |
| 93700-06M03-00   | OEM: This part number is among the Top 100 Most Popular Marine Maintenance Parts as of February 2013. |
| 93700-06M03-00   | OEM: This part number is among the Top 100 Most Popular Marine Maintenance Parts as of February 2013. |

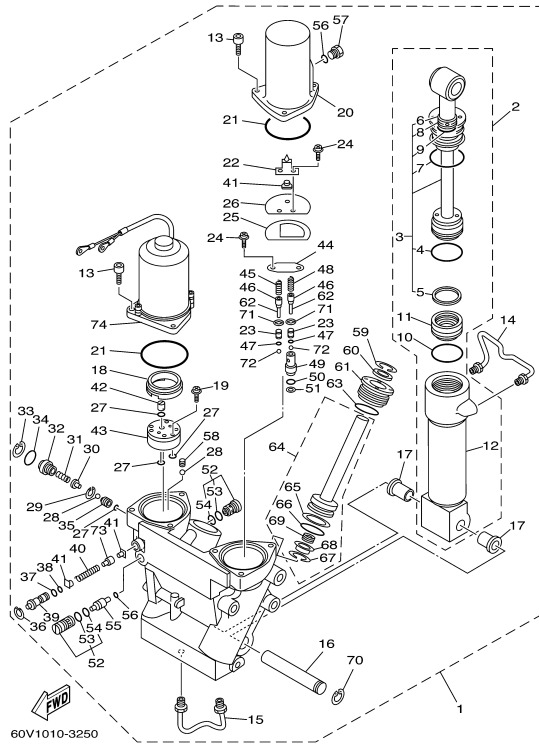




## Part List

LZ300TXRD 2005 / BRACKET 2

| REF<br>-<br>NO | PART<br>NUMBER  | PART NAME                      | QUANTITY | REMARKS |
|----------------|-----------------|--------------------------------|----------|---------|
| 1              | 60V-42510-30-8D | STEERING BRACKET ASSY          | 1        | UR U    |
| 1              | 60V-42510-20-8D | STEERING BRACKET ASSY          | 1        | UR X    |
| 2              | 90201-40M00-00  | WASHER, PLATE                  | 2        |         |
| 3              | 90386-39M89-00  | BUSH                           | 2        |         |
| 4              | 93210-35321-00  | O-RING                         | 1        |         |
| 5              | 90202-40M47-00  | WASHER, PLATE                  | 1        |         |
| 6              | 61A-44551-01-8D | HOUSING, LOWER MOUNT<br>RUBBER | 1        |         |
| 7              | 93410-37M04-00  | CIRCLIP                        | 1        |         |
| 8              | 61A-44575-00-00 | DAMPER, LOWER MOUNT<br>RUBBER  | 1        |         |
| 9              | 60V-44555-00-94 | MOUNT DAMPER, LOWER<br>SIDE    | 2        |         |
| 10             | 90202-32M19-00  | WASHER, PLATE                  | 2        |         |
| 11             | 90201-16M55-00  | WASHER, PLATE                  | 2        |         |
| 12             | 6E5-82149-00-00 | WIRE, LEAD 3                   | 1        |         |
| 13             | 90109-14005-00  | BOLT                           | 2        |         |
| 14             | 90201-15M58-00  | WASHER, PLATE                  | 2        |         |
| 15             | 95380-14800-00  | NUT                            | 2        |         |
| 16             | 92995-14600-00  | WASHER                         | 2        |         |
| 17             | 61A-44552-01-94 | HOUSING, LOWER MOUNT<br>RUBBER | 2        |         |
| 18             | 97095-10045-00  | BOLT                           | 4        |         |
| 19             | 92995-10600-00  | WASHER                         | 4        |         |
| 20             | 61A-44553-00-8D | COVER, LOWER MOUNT             | 2        |         |
| 21             | 6A0-15789-00-00 | .DAMPER                        | 4        |         |
| 22             | 60V-44514-00-94 | MOUNT DAMPER, UPPER<br>SIDE    | 2        |         |
| 23             | 90201-16M01-00  | WASHER, PLATE                  | 2        |         |
| 24             | 90202-28M46-00  | WASHER, PLATE                  | 2        |         |
| 25             | 90201-28M01-00  | WASHER, PLATE                  | 2        |         |
| 26             | 90109-14003-00  | BOLT                           | 2        |         |
| 27             | 90185-14M00-00  | NUT, SELF-LOCKING              | 2        |         |
| 28             | 92995-14600-00  | WASHER                         | 2        |         |
| 29             | 61A-44511-00-94 | COVER, UPPER MOUNT             | 1        |         |
| 30             | 97095-10045-00  | BOLT                           | 3        |         |
| 31             | 92995-10600-00  | WASHER                         | 3        |         |
| 32             | 69J-83672-10-00 | TRIM SENDER                    | 1        |         |
| 33             | 97885-06016-00  | SCREW, PAN HEAD                | 2        |         |
| 34             | 61A-43376-00-00 | BOLT, THRUST RECEIVER          | 2        |         |
| 35             | 95780-10300-00  | NUT, FLANGE                    | 2        |         |




## Part List

LZ300TXRD 2005 / POWER TRIM TILT ASSY 1

| REF - NO | PART NUMBER     | PART NAME                    | QUANTITY | REMARKS                           |
|----------|-----------------|------------------------------|----------|-----------------------------------|
| 1        | 60V-43800-00-4D | POWER TRIM & TILT ASSY       | 1        |                                   |
| 2        | 61A-43840-01-00 | .POWER TILT ASSY             | 1        |                                   |
| 3        | 61A-43810-00-00 | ..TILT PISTON SUB ASSY       | 1        |                                   |
| 4        | 61A-43861-00-00 | ...O-RING                    | 1        |                                   |
| 5        | 61A-43871-00-00 | ...RING, BACK UP             | 1        |                                   |
| 6        | 93106-19N50-00  | ...OIL SEAL                  | 1        |                                   |
| 7        | 6H1-43861-00-00 | ...O-RING                    | 1        |                                   |
| 8        | 6H1-43872-00-00 | ...RING, BACK UP             | 1        |                                   |
| 9        | 61A-4389H-00-00 | ...O-RING                    | 1        |                                   |
| 10       | 61A-43861-00-00 | ..O-RING                     | 1        |                                   |
| 11       | 6H1-43814-00-00 | ..PISTON, FREE               | 1        |                                   |
| 12       | 61A-43813-01-00 | ..CYLINDER, TILT             | 1        |                                   |
| 13       | 69J-43888-00-00 | .BOLT, SOCKET                | 6        |                                   |
| 14       | 61A-43835-01-00 | .PIPE                        | 1        |                                   |
| 15       | 61A-43833-01-00 | .PIPE                        | 1        |                                   |
| 16       | 61A-43818-00-00 | .PIN, LOWER SHOCK MOUNT      | 1        |                                   |
| 17       | 90386-18M14-00  | .BUSH                        | 2        |                                   |
| 18       | 6H1-43817-00-00 | .FILTER 2                    | 1        |                                   |
| 19       | 97607-04230-00  | .SCREW, WITH WASHER          | 3        |                                   |
| 20       | 69J-43828-00-00 | .BODY, RESERVOIR             | 1        |                                   |
| 21       | 6H1-43869-00-00 | .O-RING                      | 2        |                                   |
| 22       | 61A-4384L-00-00 | .SPRING, TRIM DOWN           | 1        |                                   |
| 23       | 6T4-43851-00-00 | .SEAT, RELIEF VALVE          | 2        |                                   |
| 24       | 97607-05210-00  | .SCREW, WITH WASHER          | 4        |                                   |
| 25       | 61A-4384K-00-00 | .PLATE, TRIM DOWN            | 1        |                                   |
| 26       | 61A-4384J-00-00 | .SEAL, TRIM DOWN             | 1        |                                   |
| 27       | 93210-064A5-00  | .O-RING                      | 4        |                                   |
| 28       | 93505-32038-00  | .BALL                        | 2        |                                   |
| 29       | 61A-43875-00-00 | .RING, SNAP                  | 1        |                                   |
| 30       | 61A-43848-00-00 | .ROD, MANUAL RELEASE         | 1        |                                   |
| 31       | 61A-43854-00-00 | .SPRING, MANUAL RELEASE      | 1        |                                   |
| 32       | 61A-43845-00-00 | .SCREW, MANUAL RELEASE       | 1        |                                   |
| 33       | 6H1-43875-00-00 | .RING, SNAP                  | 1        |                                   |
| 34       | 93210-18397-00  | .O-RING                      | 1        |                                   |
| 35       | 61A-43847-00-00 | .SEAT, MANUAL VALVE          | 1        |                                   |
| 36       | 6T4-43876-00-00 | .RING, SNAP                  | 1        |                                   |
| 37       | 93210-07003-00  | .O-RING                      | 1        |                                   |
| 38       | 93210-06001-00  | .O-RING                      | 1        |                                   |
| 39       | 6T4-43849-00-00 | .PIN, VALVE SUPPORT          | 1        |                                   |
| 40       | 61A-4385H-00-00 | .SPRING, SEAL                | 1        |                                   |
| 41       | 61A-4384F-00-00 | .SEAL, MAIN VALVE            | 3        |                                   |
| 42       | 6H1-43831-00-00 | .CONNECTOR, SHAFT            | 1        |                                   |
| 43       | 6T4-43830-00-00 | .GEAR PUMP ASSY              | 1        |                                   |
| 44       | 61A-4382K-00-00 | .CAP, RELIEF VALVE           | 1        |                                   |
| 45       | 6H1-43856-10-00 | .SPRING, DOWN RELIEF         | 1        |                                   |
| 46       | 6T4-43844-00-00 | .PIN, VALVE SUPPORT          | 2        |                                   |
| 47       | 6T4-4384G-00-00 | .SEAL, RELIEF VALVE          | 2        |                                   |
| 48       | 6T4-43855-00-00 | .SPRING, UP RELIEF           | 1        |                                   |
| 49       | 6T4-43895-00-00 | .SEAT, RELIEF VALVE          | 1        |                                   |
| 50       | 93210-10M74-00  | .O-RING                      | 1        |                                   |
| 51       | 6H1-43816-00-00 | .FILTER 1                    | 1        |                                   |
| 52       | 6T4-43802-03-00 | .VALVE SUB ASSY              | 2        |                                   |
| 53       | 6H1-43866-00-00 | ..O-RING                     | 1        |                                   |
| 54       | 6H1-43867-00-00 | ..O-RING                     | 1        |                                   |
| 55       | 6T4-43841-00-00 | .PISTON, SHUTTLE             | 1        |                                   |
| 56       | 93210-09165-00  | .O-RING                      | 2        |                                   |
| 57       | 6H1-43829-00-00 | .PLUG, RESERVOIR             | 1        |                                   |
| 58       | 61A-43878-00-00 | .BOLT, SOCKET                | 1        |                                   |
| 59       | 6T4-43875-01-00 | .RING, SNAP                  | 2        |                                   |
| 60       | 61A-43822-00-00 | .SEAL, TRIM DUST             | 2        |                                   |
| 61       | 61A-43821-00-00 | .SCREW, TRIM CYLINDER<br>END | 2        |                                   |
| 62       | 91609-10014-00  | .PIN, SPRING                 | 2        |                                   |
| 63       | 61A-43861-00-00 | .O-RING                      | 2        |                                   |
| 64       | 61A-43820-10-00 | .TRIM PISTON SUB ASSY        | 2        |                                   |
| 65       | 61A-43874-00-00 | ..RING, BACK UP              | 1        |                                   |
| 66       | 61A-43864-00-00 | ..O-RING                     | 1        |                                   |
| 67       | 61A-43875-10-00 | ..RING, SNAP                 | 1        |                                   |
| 68       | 61A-4383H-11-00 | ..HOSE, OIL 5                | 1        |                                   |
| 69       | 61A-4384H-10-00 | ..SPRING                     | 1        |                                   |
| 70       | 61A-43876-00-00 | .RING, SNAP                  | 1        |                                   |
| 71       | 6T4-43893-00-00 | .WASHER                      | 2        |                                   |
| 72       | 93501-08001-00  | .BALL                        | 2        |                                   |
| 73       | 61A-4382A-00-00 | .ADAPTOR 1                   | 1        |                                   |
| 74       | 69J-43880-00-00 | .MOTOR ASSY                  | 1        | REFER TO POWER TRIM & TILT ASSY 2 |

## Part Notes

LZ300TXRD 2005 / POWER TRIM TILT ASSY 1

| PART NUMBER   | NOTE TEXT   |
|---|---|
| 6T4-43875-01-00  | OEM: This part number is among the Top 100 Most Popular Marine Maintenance Parts as of February 2013. |
| 61A-43822-00-00   | OEM: This part number is among the Top 100 Most Popular Marine Maintenance Parts as of February 2013. |

61A-43821-00-00



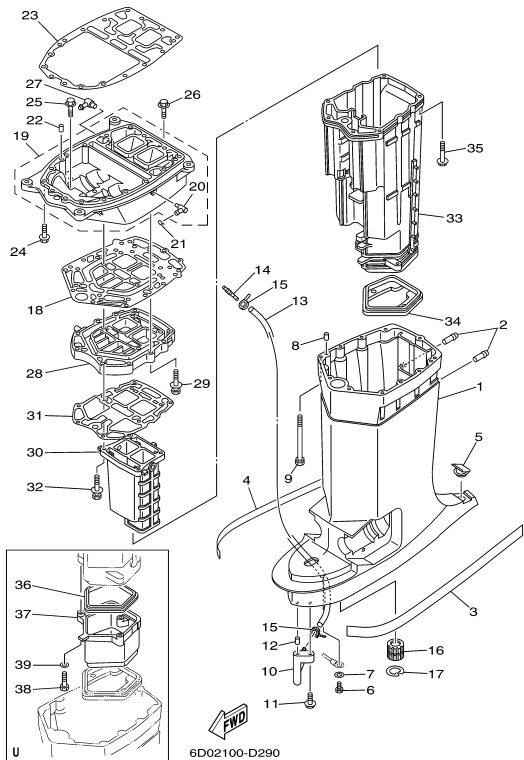
OEM: This part number is among the Top 100 Most Popular Marine Maintenance Parts as of February 2013.



## Part List

LZ300TXRD 2005 / POWER TRIM TILT ASSY 2

| REF<br>-<br>NO | PART<br>NUMBER  | PART NAME      | QUANTITY | REMARKS |
|----------------|-----------------|----------------|----------|---------|
| 1              | 69J-43880-00-00 | MOTOR ASSY     | 1        |         |
| 2              | 90206-14N50-00  | .WASHER, WAVE  | 1        |         |
| 3              | 93399-999T6-00  | .BEARING       | 2        |         |
| 4              | 69J-43805-00-00 | .ARMATURE ASSY | 1        |         |
| 5              | 69J-43804-00-00 | .STATOR ASSY   | 1        |         |
| 6              | 69J-43861-00-00 | .O-RING        | 1        |         |
| 7              | 69J-43886-00-00 | .BOLT          | 2        |         |
| 8              | 69J-43882-00-00 | .OIL SEAL      | 1        |         |
| 9              | 69J-43891-00-00 | .BRUSH 1       | 4        |         |
| 10             | 69J-4386K-00-00 | .SPRING, BRUSH | 4        |         |
| 11             | 69J-43881-00-00 | .FRAME, END    | 1        |         |



6D02100-D290

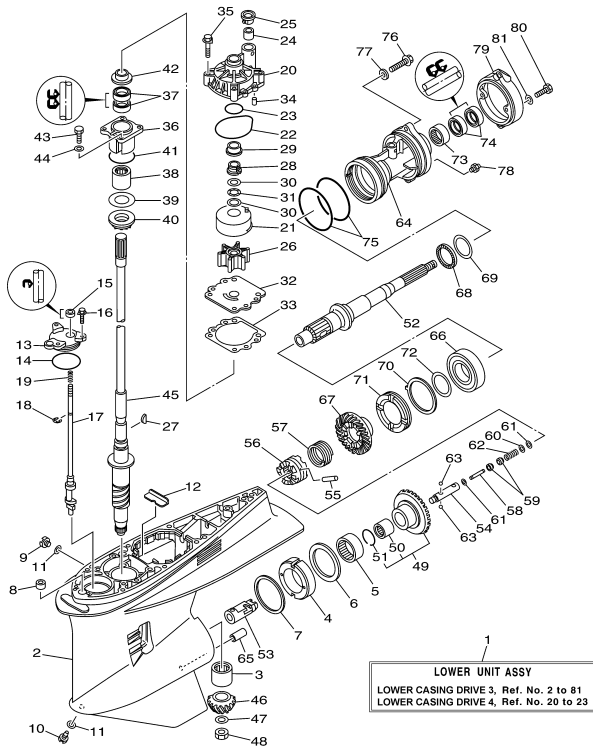
## Part List

LZ300TXRD 2005 / UPPER CASING

| REF<br>-<br>NO | PART<br>NUMBER  | PART NAME                    | QUANTITY | REMARKS |
|----------------|-----------------|------------------------------|----------|---------|
| 1              | 6D0-45111-30-8D | CASING, UPPER                | 1        | UR U    |
| 1              | 6D0-45111-20-8D | CASING, UPPER                | 1        | UR X    |
| 2              | 6E5-24377-00-00 | PIPE, JOINT 2                | 2        |         |
| 3              | 61A-42791-50-00 | MARK 1                       | 1        |         |
| 4              | 61A-42792-50-00 | MARK                         | 1        |         |
| 5              | 61A-45155-00-00 | CAP                          | 1        |         |
| 6              | 97095-06010-00  | BOLT                         | 1        |         |
| 7              | 92995-06600-00  | WASHER                       | 1        |         |
| 8              | 93608-12M05-00  | PIN, DOWEL                   | 2        |         |
| 9              | 90119-08052-00  | BOLT, WITH WASHER            | 8        |         |
| 10             | 61A-45378-00-00 | NIPPLE, HOSE                 | 1        |         |
| 11             | 90119-06M17-00  | BOLT, WITH WASHER            | 1        |         |
| 12             | 93606-12019-00  | PIN, DOWEL                   | 1        |         |
| 13             | 90445-07M21-00  | HOSE (L1160)                 | 1        | UR U    |
| 13             | 90445-07MF0-00  | HOSE (L1030)                 | 1        | UR X    |
| 14             | 6E5-83558-00-00 | END, NIPPLE                  | 1        |         |
| 15             | 90465-11M10-00  | CLAMP                        | 2        |         |
| 16             | 6E5-45318-00-00 | BUSHING, DRIVE SHAFT         | 1        |         |
| 17             | 93420-36M01-00  | CIRCLIP                      | 1        |         |
| 18             | 60V-45114-00-00 | .GASKET, UPPER CASING        | 1        |         |
| 19             | 6D0-41137-01-94 | GUIDE, EXHAUST               | 1        |         |
| 20             | 676-11372-00-00 | .NIPPLE, HOSE                | 1        |         |
| 21             | 90467-08M18-00  | CLIP                         | 1        |         |
| 22             | 93608-12M05-00  | PIN, DOWEL                   | 2        |         |
| 23             | 60V-45113-01-00 | .GASKET, UPPER CASING        | 1        |         |
| 24             | 90119-08079-00  | BOLT, WITH WASHER            | 4        |         |
| 25             | 90119-08072-00  | BOLT, WITH WASHER            | 4        |         |
| 26             | 90119-08060-00  | BOLT, WITH WASHER            | 1        |         |
| 27             | 6H1-11372-00-00 | .NIPPLE, HOSE                | 1        |         |
| 28             | 6D0-41131-01-5B | MANIFOLD, EXT. 1             | 1        |         |
| 29             | 90119-08056-00  | BOLT, WITH WASHER            | 4        |         |
| 30             | 6D0-41132-00-5B | MANIFOLD, EXHAUST            | 1        |         |
| 31             | 61A-41134-A0-00 | .GASKET, EXHAUST<br>MANIFOLD | 1        |         |
| 32             | 90119-08059-00  | BOLT, WITH WASHER            | 4        |         |
| 33             | 6D0-14711-20-5B | MUFFLER 1                    | 1        | UR X    |
| 33             | 60V-14711-20-5B | MUFFLER 1                    | 1        | UR U    |
| 34             | 6D0-45123-00-00 | .GASKET, MUFFLER             | 1        |         |
| 35             | 90119-08059-00  | BOLT, WITH WASHER            | 6        |         |
| 36             | 61A-45123-01-00 | GASKET, MUFFLER              | 1        | U       |
| 37             | 6D0-14721-30-5B | MUFFLER 2                    | 1        | U       |
| 38             | 97095-06035-00  | BOLT                         | 3        | U       |
| 39             | 92995-06600-00  | WASHER                       | 3        | U       |



COUNTER ROTATION



## Part List






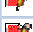
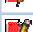

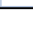
LZ300TXRD 2005 / LOWER CASING DRIVE 3

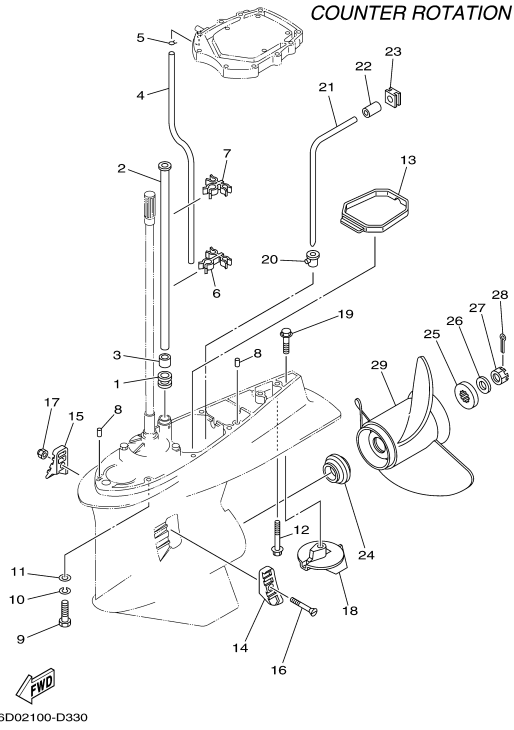
| REF - NO | PART NUMBER     | PART NAME                 | QUANTITY | REMARKS |
|----------|-----------------|---------------------------|----------|---------|
| 1        | 6D1-45300-30-8D | LOWER UNIT ASSY           | 1        | UR U    |
| 1        | 6D1-45300-20-8D | LOWER UNIT ASSY           | 1        | UR X    |
| 2        | 6D0-45301-00-8D | CASING, LOWER             | 1        |         |
| 3        | 93311-83280-00  | BEARING                   | 1        |         |
| 4        | 61B-45538-01-00 | SPACER 1                  | 1        |         |
| 5        | 93315-660W3-00  | BEARING                   | 1        |         |
| 6        | 93341-670V0-00  | BEARING                   | 1        |         |
| 7        | 61A-45567-00-00 | SHIM (T:0.10MM)           | 1        | UR      |
| 7        | 61A-45567-10-00 | SHIM (T:0.12MM)           | 1        | UR      |
| 7        | 61A-45567-20-00 | SHIM (T:0.15MM)           | 1        | UR      |
| 7        | 61A-45567-60-00 | SHIM (T:0.50MM)           | 1        | UR      |
| 7        | 61A-45567-40-00 | SHIM (T:0.30MM)           | 1        | UR      |
| 7        | 61A-45567-50-00 | SHIM (T:0.40MM)           | 1        | UR      |
| 7        | 61A-45567-30-00 | SHIM (T:0.18MM)           | 1        | UR      |
| 8        | 663-44366-00-00 | DAMPER, WATER SEAL 2      | 1        |         |
| 9        | 90340-08002-00  | PLUG, STRAIGHT SCREW      | 1        |         |
| 10       | 688-45341-10-00 | PLUG, DRAIN               | 1        |         |
| 11       | 90430-08020-00  | .GASKET                   | 2        |         |
| 12       | 61A-45376-00-94 | GUIDE, SEAL DAMPER        | 1        |         |
| 13       | 61A-45321-01-00 | PLATE                     | 1        |         |
| 14       | 93210-64488-00  | O-RING                    | 1        |         |
| 15       | 93106-09014-00  | .OIL SEAL                 | 1        |         |
| 16       | 90119-06M10-00  | BOLT, WITH WASHER         | 3        |         |
| 17       | 60W-44150-00-00 | SHIFT CAM ASSY            | 1        |         |
| 18       | 99001-08600-00  | CIRCLIP                   | 1        |         |
| 19       | 90501-11M10-00  | SPRING, COMPRESSION       | 1        |         |
| 20       | 61A-44311-01-00 | HOUSING, WATER PUMP       | 1        |         |
| 21       | 61A-44322-02-00 | .INSERT, CARTRIDGE        | 1        |         |
| 22       | 93210-86M38-00  | .O-RING                   | 1        |         |
| 23       | 93210-37160-00  | .O-RING                   | 1        |         |
| 24       | 6E5-44365-00-00 | DAMPER, WATER SEAL 1      | 1        |         |
| 25       | 6E5-44312-00-00 | COVER, WATER PUMP HOUSING | 1        |         |
| 26       | 6E5-44352-01-00 | .IMPELLER                 | 1        |         |
| 27       | 90280-04M05-00  | .KEY, WOODRUFF            | 1        |         |
| 28       | 61A-45538-00-00 | SPACER 1                  | 1        |         |
| 29       | 61A-45527-00-00 | COLLAR, DRIVE SHAFT       | 1        |         |
| 30       | 90201-22M01-00  | WASHER, PLATE             | 2        |         |
| 31       | 90206-22M19-00  | WASHER, WAVE              | 1        |         |
| 32       | 6G5-44323-00-00 | .OUTER PLATE, CARTRIDGE   | 1        |         |
| 33       | 6E5-44315-A0-00 | .GASKET, WATER PUMP       | 1        |         |
| 34       | 93606-12019-00  | PIN, DOWEL                | 2        |         |
| 35       | 90119-08M14-00  | .BOLT, WITH WASHER        | 4        |         |
| 36       | 61A-45331-00-94 | HOUSING, BEARING          | 1        |         |
| 37       | 93101-28M16-00  | .OIL SEAL                 | 2        |         |
| 38       | 93317-330U2-00  | BEARING                   | 1        |         |
| 39       | 61A-45587-00-00 | SHIM (T:0.10MM)           | 1        | UR      |
| 39       | 61A-45587-10-00 | SHIM (T:0.12MM)           | 1        | UR      |
| 39       | 61A-45587-20-00 | SHIM (T:0.15MM)           | 1        | UR      |
| 39       | 61A-45587-60-00 | SHIM (T:0.50MM)           | 1        | UR      |
| 39       | 61A-45587-40-00 | SHIM (T:0.30MM)           | 1        | UR      |
| 39       | 61A-45587-50-00 | SHIM (T:0.40MM)           | 1        | UR      |
| 39       | 61A-45587-30-00 | SHIM (T:0.18MM)           | 1        | UR      |
| 40       | 93341-930U9-00  | BEARING                   | 1        |         |
| 41       | 93210-55M14-00  | .O-RING                   | 1        |         |
| 42       | 6E5-45344-00-00 | COVER, OIL SEAL           | 1        |         |
| 43       | 97095-08025-00  | BOLT                      | 4        |         |
| 44       | 92995-08600-00  | WASHER                    | 4        |         |
| 45       | 60V-45501-30-00 | DRIVE SHAFT COMP.         | 1        | UR U    |
| 45       | 60V-45501-20-00 | DRIVE SHAFT COMP.         | 1        | UR X    |
| 46       | 60X-45551-00-00 | PINION (16T)              | 1        |         |
| 47       | 90201-16M00-00  | WASHER, PLATE             | 1        |         |
| 48       | 90170-16M19-00  | NUT                       | 1        |         |
| 49       | 6D1-45560-00-00 | GEAR 1 (28T)              | 1        |         |
| 50       | 93317-62891-00  | .BEARING                  | 1        |         |
| 51       | 93450-37097-00  | .CIRCLIP                  | 1        |         |
| 52       | 69K-45611-00-00 | SHAFT, PROPELLER          | 1        |         |
| 53       | 61B-45641-01-00 | SHIFTER                   | 1        |         |
| 54       | 61A-45634-01-00 | SLIDE, SHIFT              | 1        |         |
| 55       | 61A-45632-00-00 | PIN, CROSS                | 1        |         |
| 56       | 60V-45631-00-00 | CLUTCH, DOG               | 1        |         |
| 57       | 61A-45633-00-00 | RING, CROSS PIN           | 1        |         |
| 58       | 6H1-45668-00-00 | SHAFT, FREE 1             | 1        |         |
| 59       | 61A-45635-00-00 | PLUNGER, SHIFT            | 2        |         |
| 60       | 90201-02M00-00  | WASHER, PLATE             | 1        |         |
| 61       | 90183-02M03-00  | NUT, SPRING               | 2        |         |
| 62       | 90501-10M77-00  | SPRING, COMPRESSION       | 1        |         |
| 63       | 93501-04011-00  | BALL                      | 2        |         |
| 64       | 6D1-45332-00-94 | HOUSING, BEARING          | 1        |         |
| 65       | 99590-10114-00  | PIN, DOWEL                | 1        |         |
| 66       | 93332-00048-00  | BEARING                   | 1        |         |
| 67       | 6D1-45571-00-00 | GEAR 2 (28T)              | 1        |         |

|    |                 |                   |   |    |
|----|-----------------|-------------------|---|----|
| 68 | 93341-440U5-00  | BEARING           | 1 |    |
| 69 | 6K1-45578-01-00 | SHIM (T:0.10MM)   | 1 | UR |
| 69 | 6K1-45578-10-00 | SHIM (T:0.12MM)   | 1 | UR |
| 69 | 6K1-45578-20-00 | SHIM (T:0.15MM)   | 1 | UR |
| 69 | 6K1-45578-60-00 | SHIM (T:0.50MM)   | 1 | UR |
| 69 | 6K1-45578-40-00 | SHIM (T:0.30MM)   | 1 | UR |
| 69 | 6K1-45578-50-00 | SHIM (T:0.40MM)   | 1 | UR |
| 69 | 6K1-45578-30-00 | SHIM (T:0.18MM)   | 1 | UR |
| 70 | 61B-45383-00-00 | WASHER, CLAW      | 1 |    |
| 71 | 69K-45384-00-00 | NUT               | 1 |    |
| 72 | 69K-45577-00-00 | SHIM (T:0.10MM)   | 1 | UR |
| 72 | 69K-45577-10-00 | SHIM (T:0.12MM)   | 1 | UR |
| 72 | 69K-45577-20-00 | SHIM (T:0.15MM)   | 1 | UR |
| 72 | 69K-45577-60-00 | SHIM (T:0.50MM)   | 1 | UR |
| 72 | 69K-45577-40-00 | SHIM (T:0.30MM)   | 1 | UR |
| 72 | 69K-45577-50-00 | SHIM (T:0.40MM)   | 1 | UR |
| 72 | 69K-45577-30-00 | SHIM (T:0.18MM)   | 1 | UR |
| 73 | 93315-43064-00  | BEARING           | 1 |    |
| 74 | 93101-30002-00  | .OIL SEAL         | 2 |    |
| 75 | 93211-04384-00  | .O-RING           | 2 |    |
| 76 | 90105-08049-00  | BOLT, FLANGE      | 2 |    |
| 77 | 90201-08023-00  | WASHER, PLATE     | 2 |    |
| 78 | 93700-09M00-00  | NIPPLE, GREASE    | 1 |    |
| 79 | 6D0-45361-00-8D | CAP, LOWER CASING | 1 |    |
| 80 | 97095-08020-00  | BOLT              | 2 |    |
| 81 | 92995-08600-00  | WASHER            | 2 |    |

## Part Notes

LZ300TXRD 2005 / LOWER CASING DRIVE 3

| PART NUMBER     |   | NOTE TEXT   |
|-----------------|---|---|
| 90430-08020-00  |    | OEM: This part number is among the Top 100 Most Popular Marine Maintenance Parts as of February 2013. |
| 93106-09014-00  |    | OEM: This part number is among the Top 100 Most Popular Marine Maintenance Parts as of February 2013. |
| 61A-44311-01-00 |    | OEM: This part number is among the Top 100 Most Popular Marine Maintenance Parts as of February 2013. |
| 93210-86M38-00  |    | OEM: This part number is among the Top 100 Most Popular Marine Maintenance Parts as of February 2013. |
| 6E5-44352-01-00 |    | OEM: This part number is among the Top 100 Most Popular Marine Maintenance Parts as of February 2013. |
| 61A-45538-00-00 |    | OEM: This part number is among the Top 100 Most Popular Marine Maintenance Parts as of February 2013. |
| 61A-45527-00-00 |  | OEM: This part number is among the Top 100 Most Popular Marine Maintenance Parts as of February 2013. |
| 90201-22M01-00  |  | OEM: This part number is among the Top 100 Most Popular Marine Maintenance Parts as of February 2013. |
| 93101-28M16-00  |  | OEM: This part number is among the Top 100 Most Popular Marine Maintenance Parts as of February 2013. |





## Part List

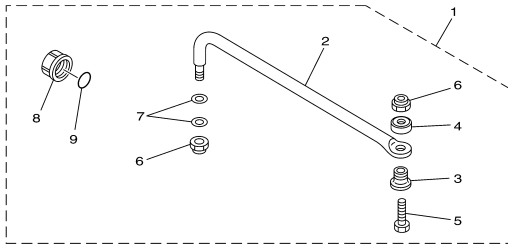
LZ300TXRD 2005 / LOWER CASING DRIVE 4

| REF - NO | PART NUMBER     | PART NAME                            | QUANTITY | REMARKS |
|----------|-----------------|--------------------------------------|----------|---------|
| 1        | 6E5-44366-00-00 | DAMPER, WATER SEAL 2                 | 1        |         |
| 2        | 61A-44361-30-00 | TUBE, WATER                          | 1        | UR U    |
| 2        | 61A-44361-20-00 | TUBE, WATER                          | 1        | UR X    |
| 3        | 6E5-44365-00-00 | DAMPER, WATER SEAL 1                 | 1        |         |
| 4        | 90445-09024-00  | HOSE (L485)                          | 1        | UR U    |
| 4        | 90445-09111-00  | HOSE (L430)                          | 1        | UR X    |
| 5        | 90467-08M10-00  | CLIP                                 | 1        |         |
| 6        | 90464-15006-00  | CLAMP                                | 1        |         |
| 7        | 90464-15005-00  | CLAMP                                | 1        |         |
| 8        | 93608-12M05-00  | PIN, DOWEL                           | 2        |         |
| 9        | 97095-10045-00  | BOLT                                 | 7        |         |
| 10       | 92995-10100-00  | WASHER                               | 7        |         |
| 11       | 92995-10600-00  | WASHER                               | 7        |         |
| 12       | 90119-10MA2-00  | BOLT, WITH WASHER                    | 1        |         |
| 13       | 6D0-45375-00-00 | DAMPER, SEAL                         | 1        |         |
| 14       | 61A-45214-10-00 | COVER, WATER INLET 1                 | 1        |         |
| 15       | 61A-45215-10-00 | COVER, WATER INLET 2                 | 1        |         |
| 16       | 90152-05003-00  | SCREW, COUNTERSUNK                   | 1        |         |
| 17       | 90185-05002-00  | NUT, NYLON                           | 1        |         |
| 18       | 69L-45371-00-00 | TAB-TRIM                             | 1        |         |
| 19       | 90105-10M00-00  | BOLT, FLANGE                         | 1        |         |
| 20       | 6D0-44367-00-00 | DAMPER, WATER SEAL 3                 | 1        |         |
| 21       | 6D0-44362-00-00 | TUBE, WATER                          | 1        |         |
| 22       | 6D0-44365-00-00 | DAMPER, WATER SEAL 1                 | 1        |         |
| 23       | 6D0-44366-00-00 | DAMPER, WATER SEAL 2                 | 1        |         |
| 24       | 69J-45987-00-00 | SPACER 1                             | 1        |         |
| 25       | 688-45997-01-00 | SPACER 2                             | 1        |         |
| 26       | 92990-18200-00  | WASHER                               | 1        |         |
| 27       | 90171-18M04-00  | NUT, CASTLE                          | 1        |         |
| 28       | 91490-40030-00  | PIN, COTTER                          | 1        |         |
| 29       | 6K1-45972-01-98 | PROPELLER (3X13-3/4"X21"-ML)         | 1        | UR      |
| 29       | 6K1-45970-01-98 | PROPELLER (3X15-1/4"X15"-ML)         | 1        | UR      |
| 29       | 61B-45974-00-98 | PROPELLER (3X14-1/2"X19"-TL)         | 1        | UR      |
| 29       | 61B-45978-00-98 | PROPELLER (3X15"X17"-TL)             | 1        | UR      |
| 29       | 61B-45972-00-98 | PROPELLER (3X14-1/2"X21"-TL)         | 1        | UR      |
| 29       | 6K1-45974-02-98 | PROPELLER (3X13-3/4"X19"-ML1)        | 1        | UR      |
| 29       | 6D1-45972-00-00 | PROPELLER (3X15"X21"-TL)             | 1        | UR      |
| 29       | 6R1-45976-A0-00 | PROPELLER (3X15-1/4"X15"-ML)         | 1        | UR      |
| 29       | 6R1-45978-A0-00 | PROPELLER (3X15-1/4"X17"-ML)         | 1        | UR      |
| 29       | 6R1-45970-A0-00 | PROPELLER, SS (3 X 15-1/4" X 19"-ML) | 1        | UR      |
| 29       | 6R1-45972-A0-00 | PROPELLER (3X14-7/8"X21"-ML)         | 1        | UR      |
| 29       | 6R1-45974-A0-00 | PROPELLER (3X14-1/2"X23"-ML)         | 1        | UR      |
| 29       | 6D1-45970-00-00 | PROPELLER (3X15-1/4"X19"-TL)         | 1        | UR      |
| 29       | 6K1-45978-02-98 | PROPELLER (3X13-3/4"X17"-ML1)        | 1        | UR      |

## Part Notes

LZ300TXRD 2005 / LOWER CASING DRIVE 4

| PART NUMBER  | NOTE TEXT   |
|--|---|
| 90105-10M00-00  | OEM: This part number is among the Top 100 Most Popular Marine Maintenance Parts as of February 2013. |
| 91490-40030-00  | OEM: This part number is among the Top 100 Most Popular Marine Maintenance Parts as of February 2013. |

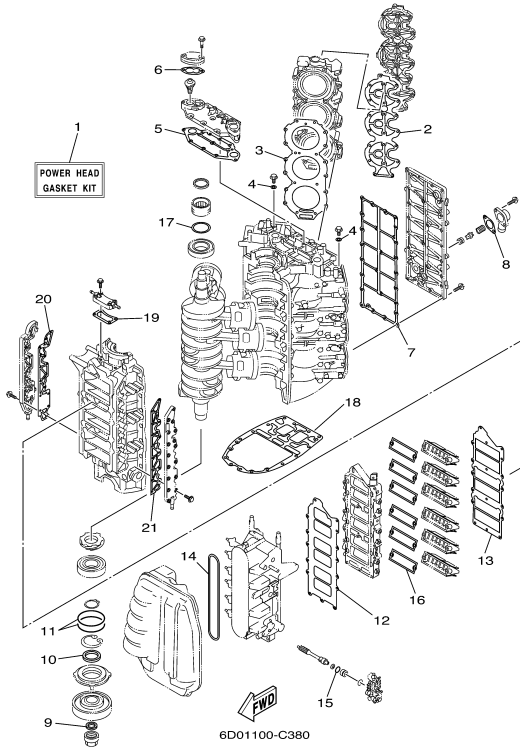


60V2100-C330

## Part List

LZ300TXRD 2005 / STEERING GUIDE

| REF<br>-<br>NO | PART<br>NUMBER  | PART NAME                        | QUANTITY | REMARKS |
|----------------|-----------------|----------------------------------|----------|---------|
| 1              | 6E5-61350-02-00 | STEERING GUIDE<br>ATTACHMENT KIT | 1        | AP Z300 |
| 2              | 6E5-61351-01-00 | .ROD, STEERING LINK              | 1        |         |
| 3              | 90387-10M61-00  | .COLLAR                          | 1        |         |
| 4              | 90560-12M01-00  | .SPACER                          | 1        |         |
| 5              | 6E5-61355-00-00 | .BOLT                            | 1        |         |
| 6              | 90185-09M01-00  | .NUT, SELF-LOCKING               | 2        |         |
| 7              | 90201-10M20-00  | .WASHER, PLATE                   | 2        |         |
| 8              | 6E5-43145-01-00 | .CAP, CLAMP BRACKET              | 1        |         |
| 9              | 93210-16275-00  | .O-RING                          | 1        |         |

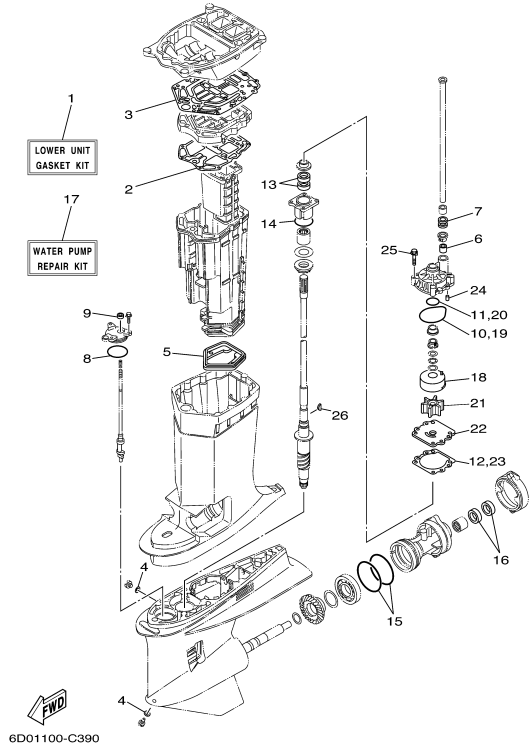




## Part List

LZ300TXRD 2005 / REPAIR KIT 1

| REF<br>-<br>NO | PART<br>NUMBER  | PART NAME                       | QUANTITY | REMARKS |
|----------------|-----------------|---------------------------------|----------|---------|
| 1              | 6D0-W0001-00-00 | POWER HEAD GASKET KIT           | 1        |         |
| 2              | 60V-11193-00-00 | .GASKET, HEAD COVER 1           | 2        |         |
| 3              | 6D0-11181-00-00 | .GASKET, CYLINDER HEAD 1        | 2        |         |
| 4              | 90430-14115-00  | .GASKET                         | 2        |         |
| 5              | 60V-11381-00-00 | .GASKET 1                       | 1        |         |
| 6              | 60V-12414-A0-00 | .GASKET, COVER                  | 2        |         |
| 7              | 60V-41112-00-00 | .GASKET, EXHAUST INNER<br>COVER | 1        |         |
| 8              | 60V-11382-A0-00 | .GASKET 2                       | 1        |         |
| 9              | 93104-22M07-00  | .OIL SEAL                       | 1        |         |
| 10             | 93103-40011-00  | .OIL SEAL                       | 1        |         |
| 11             | 93210-85M32-00  | .O-RING                         | 2        |         |
| 12             | 60V-13646-00-00 | .GASKET, MANIFOLD 2             | 1        |         |
| 13             | 60V-13645-00-00 | .GASKET, MANIFOLD 1             | 1        |         |
| 14             | 60V-14476-00-00 | .SEAL                           | 1        |         |
| 15             | 93210-18MA9-00  | .O-RING                         | 1        |         |
| 16             | 60V-13621-A0-00 | .GASKET, VALVE SEAT             | 6        |         |
| 17             | 60V-11479-00-00 | .GASKET                         | 1        |         |
| 18             | 60V-45113-01-00 | .GASKET, UPPER CASING           | 1        |         |
| 19             | 6D0-15451-00-00 | .GASKET, CRANKCASE<br>COVER 1   | 1        |         |
| 20             | 6D0-15461-00-00 | .GASKET, CRANKCASE<br>COVER 2   | 1        |         |
| 21             | 6D0-15462-00-00 | .GASKET, CRANKCASE<br>COVER 3   | 1        |         |










Part List

LZ300TXRD 2005 / REPAIR KIT 2

| REF - NO | PART NUMBER     | PART NAME                 | QUANTITY | REMARKS |
|----------|-----------------|---------------------------|----------|---------|
| 1        | 6D0-W0001-20-00 | LOWER UNIT GASKET KIT     | 1        |         |
| 2        | 61A-41134-A0-00 | .GASKET, EXHAUST MANIFOLD | 1        |         |
| 3        | 60V-45114-00-00 | .GASKET, UPPER CASING     | 1        |         |
| 4        | 90430-08020-00  | .GASKET                   | 2        |         |
| 5        | 6D0-45123-00-00 | .GASKET, MUFFLER          | 1        |         |
| 6        | 6E5-44365-00-00 | .DAMPER, WATER SEAL 1     | 1        |         |
| 7        | 6E5-44366-00-00 | .DAMPER, WATER SEAL 2     | 1        |         |
| 8        | 93210-64488-00  | .O-RING                   | 1        |         |
| 9        | 93106-09014-00  | .OIL SEAL                 | 1        |         |
| 10       | 93210-86M38-00  | .O-RING                   | 1        |         |
| 11       | 93210-37160-00  | .O-RING                   | 1        |         |
| 12       | 6E5-44315-A0-00 | .GASKET, WATER PUMP       | 1        |         |
| 13       | 93101-28M16-00  | .OIL SEAL                 | 2        |         |
| 14       | 93210-55M14-00  | .O-RING                   | 1        |         |
| 15       | 93211-04384-00  | .O-RING                   | 2        |         |
| 16       | 93101-30002-00  | .OIL SEAL                 | 2        |         |
| 17       | 61A-W0078-A3-00 | WATER PUMP REPAIR KIT     | 1        |         |
| 18       | 61A-44322-02-00 | .INSERT, CARTRIDGE        | 1        |         |
| 19       | 93210-86M38-00  | .O-RING                   | 1        |         |
| 20       | 93210-37160-00  | .O-RING                   | 1        |         |
| 21       | 6E5-44352-01-00 | .IMPELLER                 | 1        |         |
| 22       | 6G5-44323-00-00 | .OUTER PLATE, CARTRIDGE   | 1        |         |
| 23       | 6E5-44315-A0-00 | .GASKET, WATER PUMP       | 1        |         |
| 24       | 93606-12019-00  | .PIN, DOWEL               | 2        |         |
| 25       | 90119-08M14-00  | .BOLT, WITH WASHER        | 4        |         |
| 26       | 90280-04M05-00  | .KEY, WOODRUFF            | 1        |         |

Part Notes

LZ300TXRD 2005 / REPAIR KIT 2

| PART NUMBER   | NOTE TEXT   |
|---|---|
| 90430-08020-00     | OEM: This part number is among the Top 100 Most Popular Marine Maintenance Parts as of February 2013. |
| 93106-09014-00     | OEM: This part number is among the Top 100 Most Popular Marine Maintenance Parts as of February 2013. |
| 93210-86M38-00    | OEM: This part number is among the Top 100 Most Popular Marine Maintenance Parts as of February 2013. |
| 93101-28M16-00   | OEM: This part number is among the Top 100 Most Popular Marine Maintenance Parts as of February 2013. |
| 61A-W0078-A3-00  | OEM: This part number is among the Top 100 Most Popular Marine Maintenance Parts as of February 2013. |
| 93210-86M38-00   | OEM: This part number is among the Top 100 Most Popular Marine Maintenance Parts as of February 2013. |
| 6E5-44352-01-00  | OEM: This part number is among the Top 100 Most Popular Marine Maintenance Parts as of February 2013. |

**Z300TXRD (6D02)**

Engine Serial No.(Z300TXRD): 6D0X-1001678 and following

**Z300TURD (6D02)**

Engine Serial No.(Z300TURD): TBA and following

**LZ300TXRD (6D12)**

Engine Serial No.(LZ300TXRD): 6D1X-1000811 and following

**LZ300TURD (6D12)**

Engine Serial No.(LZ300TURD): 6D1U-1000836 and following

**ALL THESE MODELS USE THIS SAME PARTS CATALOG.  
BE SURE TO ORDER ONLY THOSE PARTS APPLICABLE  
TO THE DESIRED MODEL.**

