




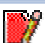




# Part List

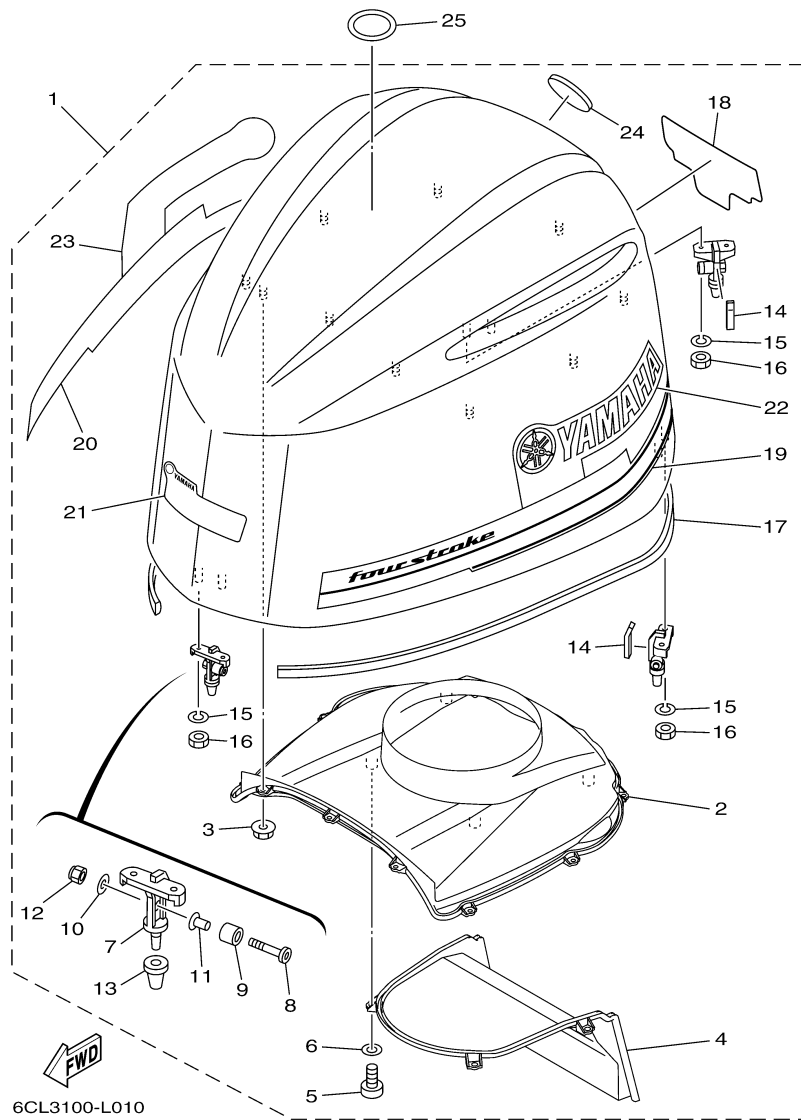
LF300XCA\_0112 / SCHEDULED SERVICE PARTS

| REF - NO | PART NUMBER     | PART NAME                  | QUANTITY | REMARKS                        |
|----------|-----------------|----------------------------|----------|--------------------------------|
| 1        | 6P3-24564-00-00 | .GASKET                    | 1        | FUEL 1 (REF 11)                |
| 2        | 63P-24563-01-00 | ELEMENT, FILTER            | 1        | FUEL 1 (REF 12)                |
| 3        | 6CB-13016-00-00 | .O-RING                    | 1        | FUEL INJECTION PUMP 1 (REF 5)  |
| 4        | 6CB-24501-01-00 | .FILTER, FUEL              | 1        | FUEL INJECTION PUMP 1 (REF 3)  |
| 5        | 63P-13915-00-00 | FILTER                     | 1        | FUEL INJECTION PUMP 1 (REF 20) |
| 6        | 6CB-14984-00-00 | GASKET, FLOAT CHAMBER      | 1        | FUEL INJECTION PUMP 1 (REF 27) |
| 7        | N26-13440-00-00 | ELEMENT ASSY, OIL CLEANER  | 1        | CYLINDER CRANKCASE 1 (REF 36)  |
| 8        | 90430-14M09-00  | .GASKET                    | 1        | OIL PAN (REF 5)                |
| 9        | 6CE-12411-00-00 | THERMOSTAT                 | 2        | CYLINDER CRANKCASE 1 (REF 21)  |
| 10       | 68T-11325-00-00 | ANODE                      | 2        | CYLINDER CRANKCASE 1 (REF 32)  |
| 11       | 6AW-1132P-00-00 | ANODE 5                    | 4        | CYLINDER CRANKCASE 1 (REF 30)  |
| 12       | 6AW-1132N-01-00 | ANODE 4                    | 2        | CYLINDER CRANKCASE 1 (REF 34)  |
| 13       | 6G5-45251-02-00 | ANODE                      | 1        | BRACKET 1 (REF 3)              |
| 14       | 63P-11325-01-00 | ANODE                      | 2        | CYLINDER CRANKCASE 1 (REF 19)  |
| 15       | 67F-11325-01-00 | .ANODE                     | 8        | CYLINDER CRANKCASE 2 (REF 20)  |
| 16       | LFR-6A110-00-00 | PLUG, SPARK (NGK LFR6A-11) | 6        | CYLINDER CRANKCASE 2 (REF 46)  |
| 17       | 90430-08020-00  | .GASKET                    | 2        | LOWER CASING DRIVE 3 (REF 6)   |
| 18       | 61A-45371-00-00 | TAB, TRIM                  | 1        | LOWER CASING DRIVE 4 (REF 18)  |

# Part Notes

LF300XCA\_0112 / SCHEDULED SERVICE PARTS

| PART NUMBER     |   | NOTE TEXT   |
|-----------------|---|---|
| 6P3-24564-00-00 |  | OEM: This part number is among the Top 100 Most Popular Marine Maintenance Parts as of February 2013. |
| 63P-13915-00-00 |  | OEM: This part number is among the Top 100 Most Popular Marine Maintenance Parts as of February 2013. |
| N26-13440-00-00 |  | OEM: This part number is among the Top 100 Most Popular Marine Maintenance Parts as of February 2013. |
| 90430-14M09-00  |  | OEM: This part number is among the Top 100 Most Popular Marine Maintenance Parts as of February 2013. |
| 6G5-45251-02-00 |  | OEM: This part number is among the Top 100 Most Popular Marine Maintenance Parts as of February 2013. |
| LFR-6A110-00-00 |  | OEM: This part number is among the Top 100 Most Popular Marine Maintenance Parts as of February 2013. |
| 90430-08020-00  |  | OEM: This part number is among the Top 100 Most Popular Marine Maintenance Parts as of February 2013. |
| 61A-45371-00-00 |  | OEM: This part number is among the Top 100 Most Popular Marine Maintenance Parts as of February 2013. |



6CL3100-L010


# Part List

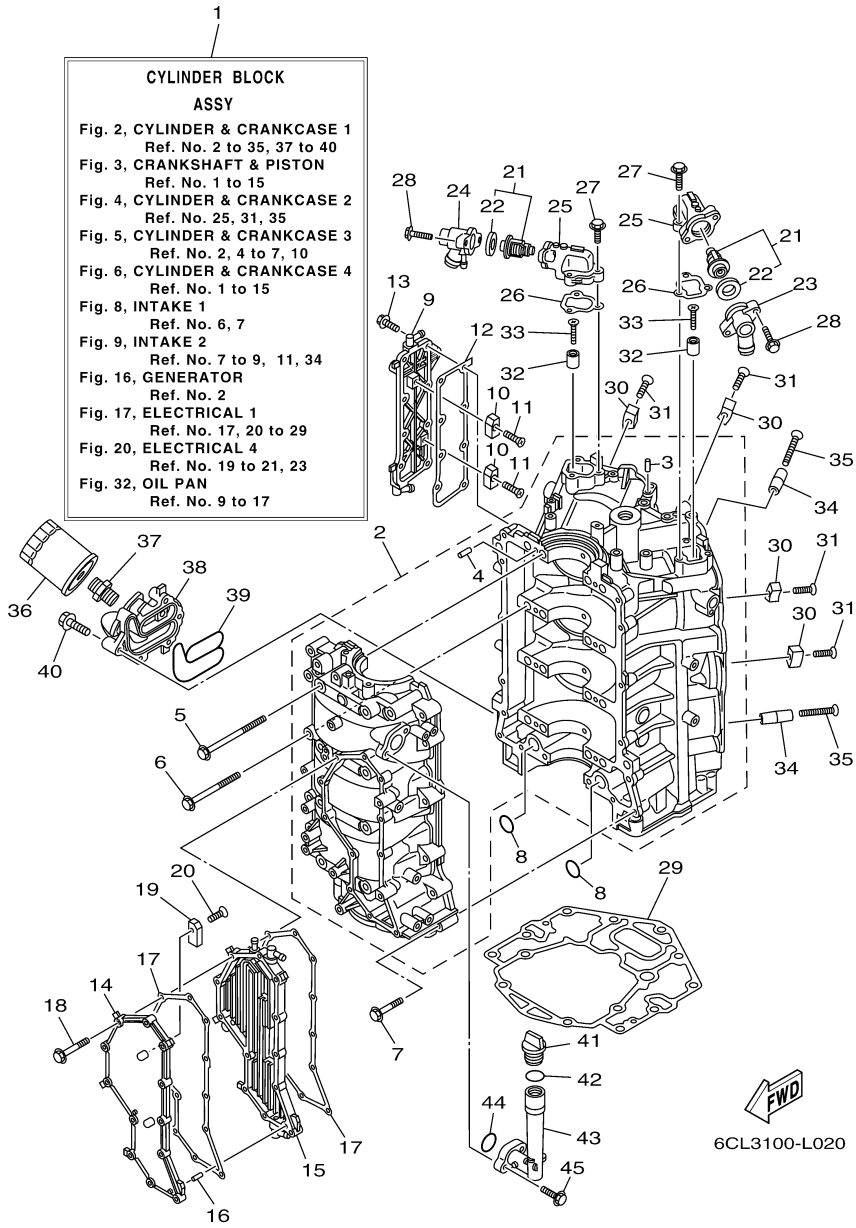
LF300XCA\_0112 / TOP COWLING

| REF - NO | PART NUMBER     | PART NAME               | QUANTITY | REMARKS |
|----------|-----------------|-------------------------|----------|---------|
| 1        | 6CE-42610-00-00 | TOP COWLING ASSY        | 1        |         |
| 2        | 6CE-42613-00-00 | .MOLDING, AIR DUCT      | 1        |         |
| 3        | 90179-06M28-00  | .NUT                    | 10       |         |
| 4        | 6CE-42635-00-00 | .DUCT, WATER SEPARATOR  | 1        |         |
| 5        | 97780-60516-00  | .SCREW, TAPPING         | 4        |         |
| 6        | 92990-06200-00  | .WASHER, PLAIN          | 4        |         |
| 7        | 6CB-42647-00-00 | .HOLDER, CLAMP BAND     | 3        |         |
| 8        | 90111-08078-00  | .BOLT,HEX SOCKET BUTTON | 3        |         |
| 9        | 90387-10094-00  | .COLLAR                 | 3        |         |
| 10       | 92990-08600-00  | .WASHER, PLATE          | 3        |         |
| 11       | 90387-08M45-00  | .COLLAR                 | 3        |         |
| 12       | 95780-08300-00  | .NUT, FLANGE            | 3        |         |
| 13       | 6AW-42663-00-00 | .DAMPER                 | 3        |         |
| 14       | 6CB-42134-00-00 | .COVER                  | 2        |         |
| 15       | 92990-06100-00  | .WASHER, SPRING         | 6        |         |
| 16       | 95380-06600-00  | .NUT, HEXAGON           | 6        |         |
| 17       | 6CB-42628-00-00 | .SEAL                   | 1        |         |
| 18       | 6CE-42678-00-00 | .GRAPHIC, REAR          | 1        |         |
| 19       | 6CE-42675-01-00 | .GRAPHIC, SIDE 1        | 1        |         |
| 20       | 6CE-42676-01-00 | .GRAPHIC, SIDE 2        | 1        |         |
| 21       | 6CE-42677-00-00 | .GRAPHIC, FRONT         | 1        |         |
| 22       | 6CE-42681-01-00 | .MARK, COWLING          | 1        |         |
| 23       | 6CE-42682-01-00 | .MARK, COWLING          | 1        |         |
| 24       | 6AW-42697-10-00 | .TUNING FORK MARK       | 1        |         |
| 25       | 67F-13434-20-00 | LABEL, CAUTION          | 1        |         |

# Part Notes

LF300XCA\_0112 / TOP COWLING

| PART NUMBER  | NOTE TEXT   |
|--|---|
| 92990-06200-00  | OEM: This part number is among the Top 100 Most Popular Marine Maintenance Parts as of February 2013. |




## Part List

LF300XCA\_0112 / CYLINDER CRANKCASE 1

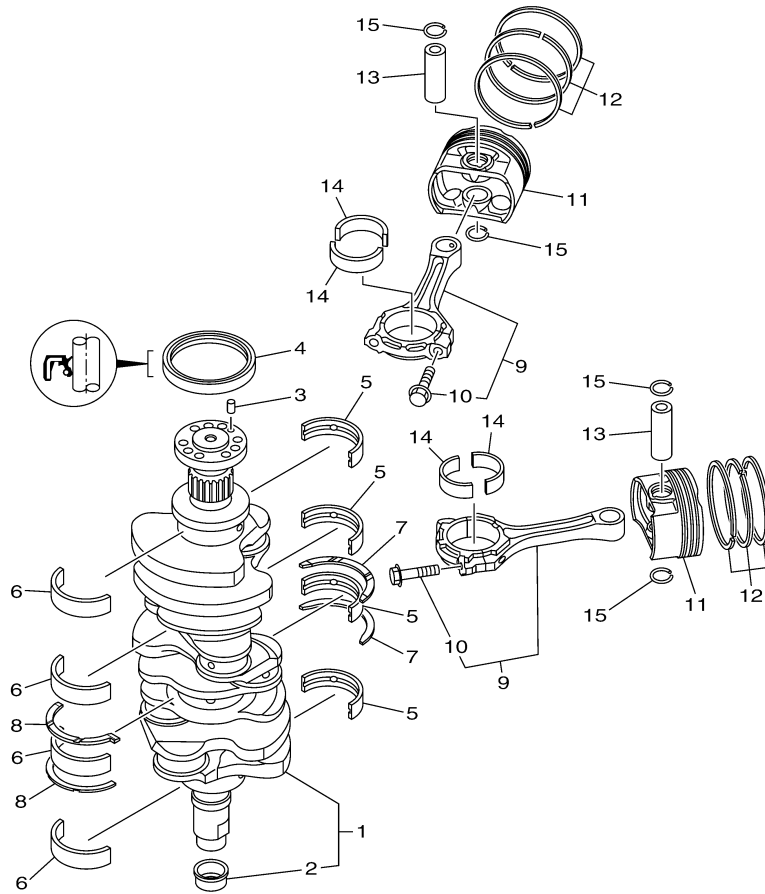
| REF - NO | PART NUMBER     | PART NAME                  | QUANTITY | REMARKS |
|----------|-----------------|----------------------------|----------|---------|
| 1        | 6CE-W009B-04-9S | CYLINDER BLOCK ASSY        | 1        |         |
| 2        | 6CE-15100-10-00 | CRANKCASE ASSY             | 1        |         |
| 3        | 93606-12019-00  | .PIN, DOWEL                | 3        |         |
| 4        | 93606-12019-00  | .PIN, DOWEL                | 8        |         |
| 5        | 6CB-15187-00-00 | BOLT                       | 8        |         |
| 6        | 6CB-15481-00-00 | BOLT 1                     | 8        |         |
| 7        | 90105-08175-00  | BOLT, FLANGE               | 16       |         |
| 8        | 93210-26658-00  | .O-RING                    | 2        |         |
| 9        | 6CE-1131C-00-9S | COVER, JOINT               | 1        |         |
| 10       | 63P-11325-01-00 | ANODE                      | 2        |         |
| 11       | 90151-06M02-00  | SCREW, COUNTERSUNK         | 2        |         |
| 12       | 6CB-1131B-00-00 | .GASKET, COVER             | 1        |         |
| 13       | 90105-06M07-00  | .BOLT, FLANGE              | 8        |         |
| 14       | 6CE-15411-00-9S | COVER, CRANKCASE 1         | 1        |         |
| 15       | 6CE-15421-10-9S | COVER, CRANKCASE 2         | 1        |         |
| 16       | 91690-40010-00  | PIN, SPRING                | 1        |         |
| 17       | 6CB-15451-00-00 | .GASKET, CRANKCASE COVER 1 | 2        |         |
| 18       | 90105-06151-00  | BOLT, FLANGE               | 12       |         |
| 19       | 63P-11325-01-00 | ANODE                      | 2        |         |
| 20       | 90151-06M02-00  | SCREW, COUNTERSUNK         | 2        |         |
| 21       | 6CE-12411-00-00 | THERMOSTAT                 | 2        |         |
| 22       | 67F-12412-00-00 | .SEAL, THERMOSTAT          | 1        |         |
| 23       | 6CE-12413-10-9S | COVER, THERMOSTAT          | 1        |         |
| 24       | 6CE-12413-00-9S | COVER, THERMOSTAT          | 1        |         |
| 25       | 6CB-12422-10-9S | COVER, HOUSING             | 2        |         |
| 26       | 6CB-12427-10-00 | .GASKET, HOUSING COVER 1   | 2        |         |
| 27       | 95027-06025-00  | BOLT, FLANGE               | 6        |         |
| 28       | 90105-06037-00  | BOLT, FLANGE               | 4        |         |
| 29       | 6CB-11351-00-00 | .GASKET, CYLINDER          | 1        |         |
| 30       | 6AW-1132P-00-00 | ANODE 5                    | 4        |         |
| 31       | 98780-06530-00  | SCREW, FLAT HEAD           | 4        |         |
| 32       | 68T-11325-00-00 | ANODE                      | 2        |         |
| 33       | 90151-05M05-00  | SCREW, COUNTERSUNK         | 2        |         |
| 34       | 6AW-1132N-01-00 | ANODE 4                    | 2        |         |
| 35       | 98780-06550-00  | SCREW, FLAT HEAD           | 2        |         |
| 36       | N26-13440-00-00 | ELEMENT ASSY, OIL CLEANER  | 1        |         |
| 37       | 90401-19001-00  | BOLT, UNION                | 1        |         |
| 38       | 6CE-13446-10-9S | CONNECTOR                  | 1        |         |
| 39       | 6CB-13477-00-00 | .GASKET                    | 1        |         |
| 40       | 90105-06151-00  | BOLT, FLANGE               | 5        |         |
| 41       | 6G8-15363-00-00 | PLUG, OIL                  | 1        |         |
| 42       | 93210-24M79-00  | .O-RING                    | 1        |         |
| 43       | 6CB-15319-00-00 | JOINT                      | 1        |         |
| 44       | 93210-27370-00  | O-RING                     | 1        |         |
| 45       | 90105-06037-00  | BOLT, FLANGE               | 2        |         |

## Part Notes

LF300XCA\_0112 / CYLINDER CRANKCASE 1

| PART NUMBER   | NOTE TEXT   |
|---|---|
| N26-13440-00-00  | OEM: This part number is among the Top 100 Most Popular Marine Maintenance Parts as of February 2013. |





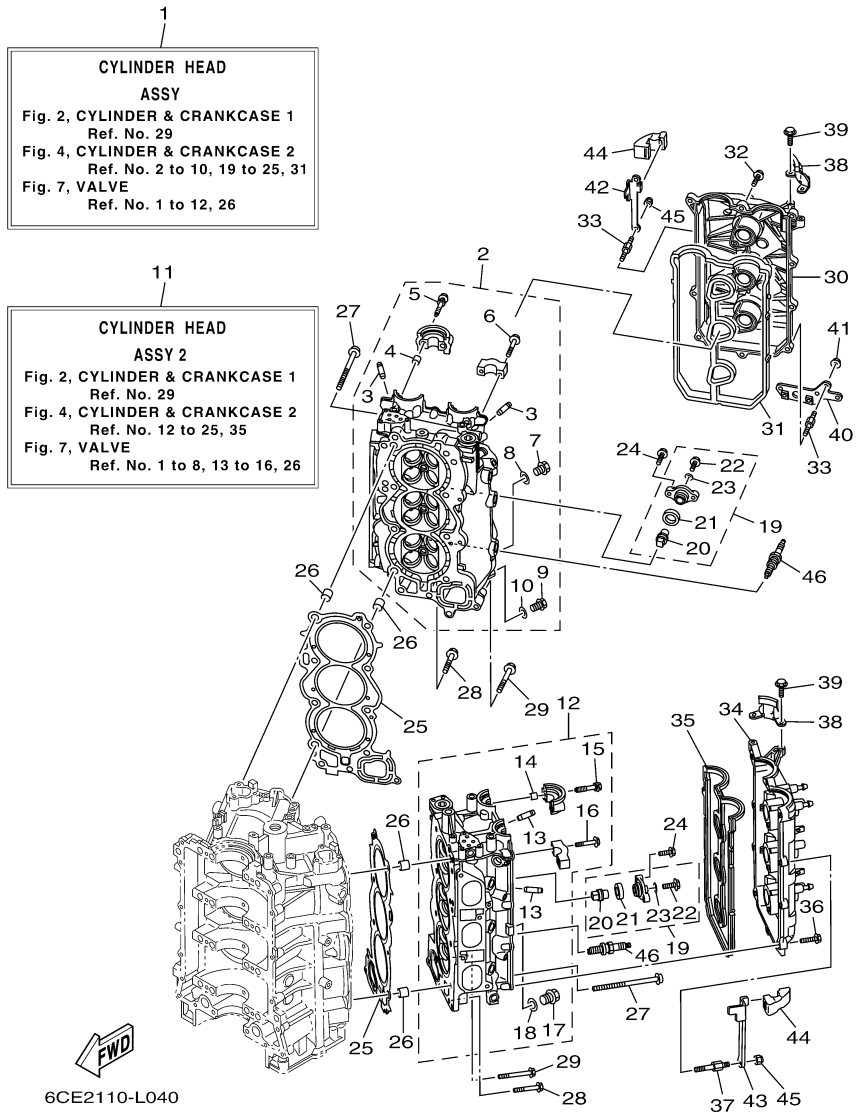
6CB3110-L030



## Part List

LF300XCA\_0112 / CRANKSHAFT PISTON

| REF<br>-<br>NO | PART<br>NUMBER  | PART NAME                        | QUANTITY | REMARKS   |
|----------------|-----------------|----------------------------------|----------|-----------|
| 1              | 6CB-11410-00-00 | CRANKSHAFT                       | 1        |           |
| 2              | 6CB-11478-00-00 | .COLLAR                          | 1        |           |
| 3              | 93606-12019-00  | PIN, DOWEL                       | 1        |           |
| 4              | 93102-85008-00  | .OIL SEAL                        | 1        |           |
| 5              | 6CB-11416-00-00 | PLANE BEARING,<br>CRANKSHAFT 1   | 4        | UR PURPLE |
| 5              | 6CB-11416-10-00 | PLANE BEARING,<br>CRANKSHAFT 1   | 4        | UR YELLOW |
| 5              | 6CB-11416-40-00 | PLANE BEARING,<br>CRANKSHAFT 1   | 4        | UR BROWN  |
| 5              | 6CB-11416-30-00 | PLANE BEARING,<br>CRANKSHAFT 1   | 4        | UR GREEN  |
| 5              | 6CB-11416-20-00 | PLANE BEARING,<br>CRANKSHAFT 1   | 4        | UR RED    |
| 6              | 6CB-11417-00-00 | PLANE BEARING,<br>CRANKSHAFT 2   | 4        | UR PURPLE |
| 6              | 6CB-11417-10-00 | PLANE BEARING,<br>CRANKSHAFT 2   | 4        | UR YELLOW |
| 6              | 6CB-11417-40-00 | PLANE BEARING,<br>CRANKSHAFT 2   | 4        | UR BROWN  |
| 6              | 6CB-11417-30-00 | PLANE BEARING,<br>CRANKSHAFT 2   | 4        | UR GREEN  |
| 6              | 6CB-11417-20-00 | PLANE BEARING,<br>CRANKSHAFT 2   | 4        | UR RED    |
| 7              | 6CB-11426-01-00 | BEARING, THRUST 1                | 2        |           |
| 8              | 6CB-11427-00-00 | BEARING, THRUST 2                | 2        |           |
| 9              | 6CB-W1165-00-00 | CONNECTING ROD ASSY              | 6        |           |
| 10             | 6CB-11654-00-00 | .BOLT, CONNECTING ROD            | 2        |           |
| 11             | 6CE-11631-00-00 | PISTON (STD)                     | 6        |           |
| 12             | 6CB-11603-00-00 | PISTON RING SET (STD)            | 6        |           |
| 13             | 6CB-11633-00-00 | PIN, PISTON                      | 6        |           |
| 14             | 6CB-11656-00-00 | PLANE BEARING,<br>CONNECTING ROD | 12       | UR YELLOW |
| 14             | 6CB-11656-20-00 | PLANE BEARING,<br>CONNECTING ROD | 12       | UR BLUE   |
| 14             | 6CB-11656-10-00 | PLANE BEARING,<br>CONNECTING ROD | 12       | UR GREEN  |
| 15             | K0F-A3233-00-00 | RING,HOLE SNAP                   | 12       |           |



## Part List


LF300XCA\_0112 / CYLINDER CRANKCASE 2

| REF - NO | PART NUMBER     | PART NAME                  | QUANTITY | REMARKS |
|----------|-----------------|----------------------------|----------|---------|
| 1        | 6CE-W009A-00-9S | CYLINDER HEAD COMPLETE     | 1        |         |
| 2        | 6CE-11110-00-9S | CYLINDER HEAD ASSY         | 1        |         |
| 3        | 6S5-11133-10-00 | .GUIDE, VALVE 1            | 12       |         |
| 4        | 91809-08006-00  | .PIN, DOWEL                | 4        |         |
| 5        | 90119-07001-00  | .BOLT, WITH WASHER         | 4        |         |
| 6        | 90119-07234-00  | .BOLT, WITH WASHER         | 12       |         |
| 7        | 90340-18M09-00  | .PLUG, STRAIGHT SCREW      | 1        |         |
| 8        | 90430-18130-00  | .GASKET                    | 1        |         |
| 9        | 90340-14M06-00  | .PLUG, STRAIGHT SCREW      | 1        |         |
| 10       | 90430-14115-00  | .GASKET                    | 1        |         |
| 11       | 6CE-W009C-00-9S | CYLINDER HEAD 2 COMPLETE   | 1        |         |
| 12       | 6CE-11120-00-9S | CYLINDER HEAD ASSY 2       | 1        |         |
| 13       | 6S5-11133-10-00 | .GUIDE, VALVE 1            | 12       |         |
| 14       | 91809-08006-00  | .PIN, DOWEL                | 4        |         |
| 15       | 90119-07001-00  | .BOLT, WITH WASHER         | 4        |         |
| 16       | 90119-07234-00  | .BOLT, WITH WASHER         | 12       |         |
| 17       | 90340-18M09-00  | .PLUG, STRAIGHT SCREW      | 1        |         |
| 18       | 90430-18130-00  | .GASKET                    | 1        |         |
| 19       | 67F-11301-00-00 | ANODE COVER ASSY           | 8        |         |
| 20       | 67F-11325-01-00 | .ANODE                     | 1        |         |
| 21       | 67F-11328-00-00 | .GROMMET, ANODE            | 1        |         |
| 22       | 90105-06M07-00  | .BOLT, FLANGE              | 1        |         |
| 23       | 90430-06M03-00  | .GASKET                    | 1        |         |
| 24       | 95885-08025-00  | BOLT, FLANGE               | 16       |         |
| 25       | 6CB-11181-00-00 | .GASKET, CYLINDER HEAD 1   | 2        |         |
| 26       | 90387-11005-00  | COLLAR                     | 4        |         |
| 27       | 90155-11002-00  | SCREW, FLAT FILLISTER      | 16       |         |
| 28       | 90105-08175-00  | BOLT, FLANGE               | 4        |         |
| 29       | 90105-08220-00  | BOLT, FLANGE               | 2        |         |
| 30       | 6CB-11191-02-00 | COVER, CYLINDER HEAD 1     | 1        |         |
| 31       | 6CB-11193-00-00 | .GASKET, HEAD COVER 1      | 1        |         |
| 32       | 95895-06030-00  | BOLT, FLANGE               | 9        |         |
| 33       | 90109-06277-00  | BOLT                       | 4        |         |
| 34       | 6CB-11192-02-00 | COVER, CYLINDER HEAD 2     | 1        |         |
| 35       | 6CB-11194-00-00 | .GASKET, HEAD COVER 2      | 1        |         |
| 36       | 95895-06030-00  | BOLT, FLANGE               | 11       |         |
| 37       | 90109-06277-00  | BOLT                       | 2        |         |
| 38       | 6AW-15142-00-00 | GUIDE 1                    | 2        |         |
| 39       | 95885-06014-00  | BOLT, FLANGE               | 4        |         |
| 40       | 6CB-2134V-00-00 | BRACKET                    | 1        |         |
| 41       | 90179-06M28-00  | NUT                        | 2        |         |
| 42       | 6CB-11998-00-00 | BRACKET 1                  | 1        |         |
| 43       | 6CB-11999-00-00 | BRACKET 2                  | 1        |         |
| 44       | 6CB-42662-00-00 | DAMPER                     | 2        |         |
| 45       | 90185-06M07-00  | NUT, SELF-LOCKING          | 4        |         |
| 46       | LFR-6A110-00-00 | PLUG, SPARK (NGK LFR6A-11) | 6        |         |

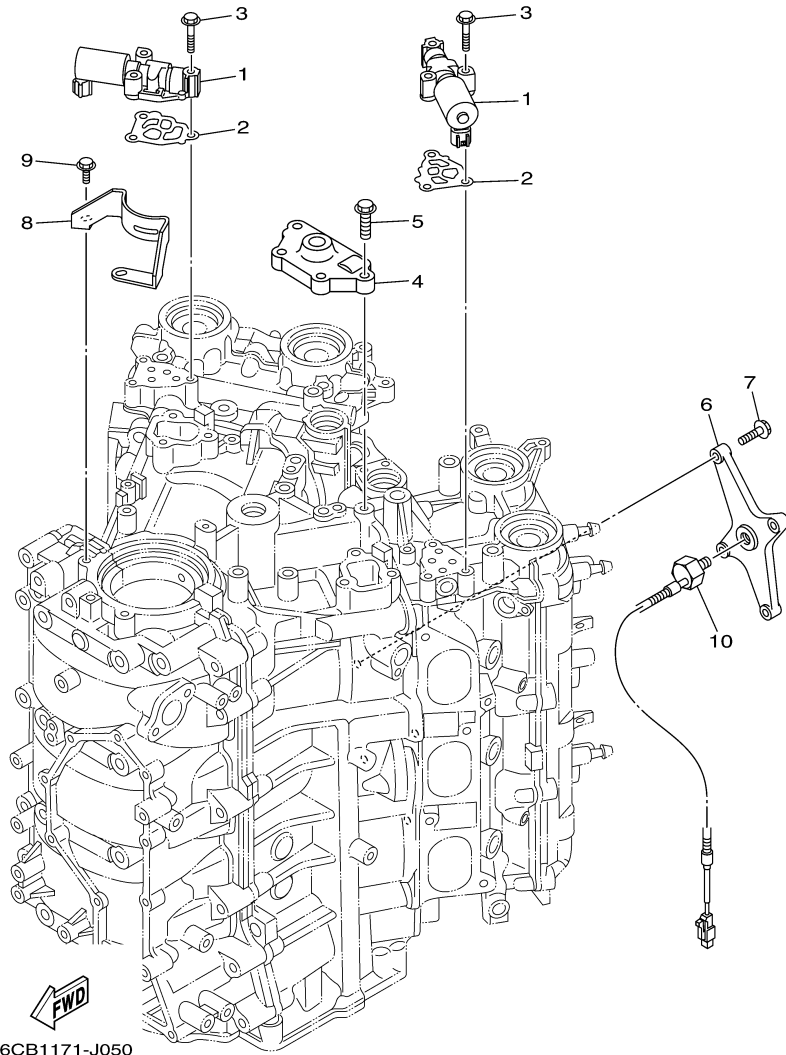
## Part Notes

LF300XCA\_0112 / CYLINDER CRANKCASE 2

| PART NUMBER     | NOTE TEXT   |
|-----------------|---|
| 67F-11328-00-00 | OEM: This part number is among the Top 100 Most Popular Marine Maintenance Parts as of February 2013. |

|                 |   |   |
|-----------------|---|---|
| LFR-6A110-00-00 |  | OEM: This part number is among the Top 100 Most Popular Marine Maintenance Parts as of February 2013. |
|-----------------|---|---|

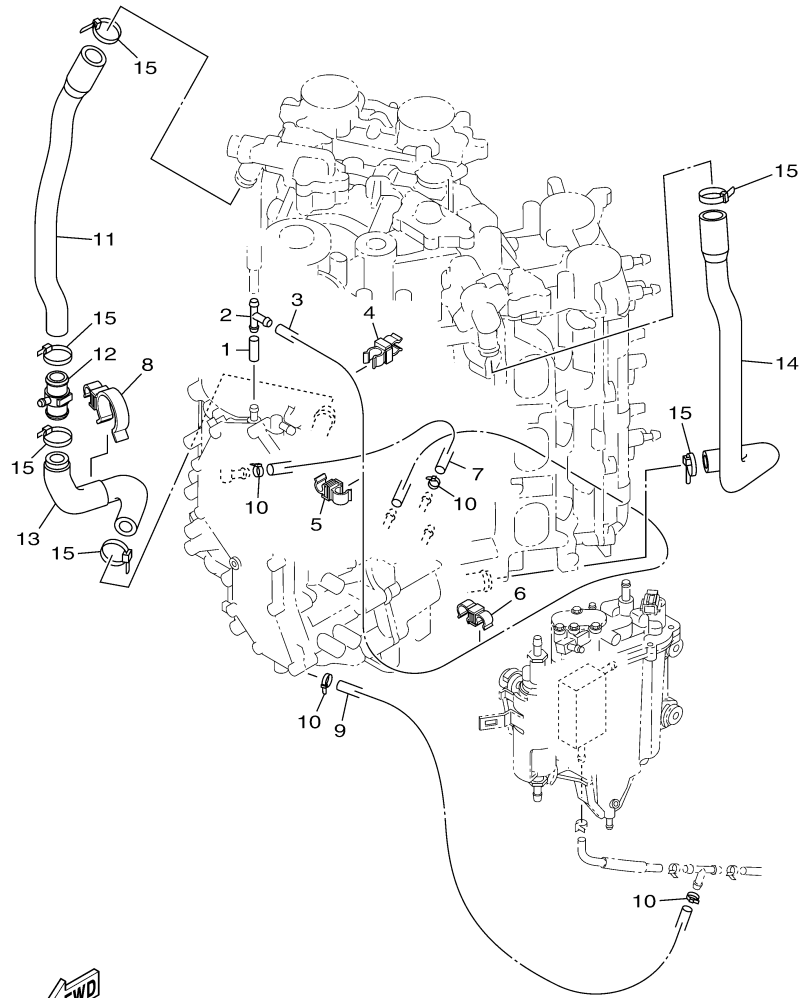




# Part List

LF300XCA\_0112 / CYLINDER CRANKCASE 3

| <b>REF<br/>-<br/>NO</b> | <b>PART<br/>NUMBER</b> | <b>PART NAME</b>    | <b>QUANTITY</b> | <b>REMARKS</b> |
|-------------------------|------------------------|---------------------|-----------------|----------------|
| 1                       | 6CB-86120-00-00        | SOLENOID VALVE ASSY | 2               |                |
| 2                       | 6CB-1242F-00-00        | .GASKET, FILTER     | 2               |                |
| 3                       | 90105-06035-00         | BOLT, FLANGE        | 6               |                |
| 4                       | 6CB-15544-00-00        | STAY 1              | 1               |                |
| 5                       | 90105-08178-00         | BOLT, FLANGE        | 4               |                |
| 6                       | 6CB-1135A-00-00        | BRACKET             | 1               |                |
| 7                       | 90105-06037-00         | BOLT, FLANGE        | 4               |                |
| 8                       | 6CB-15142-00-00        | GUIDE 1             | 1               |                |
| 9                       | 95885-06014-00         | BOLT, FLANGE        | 2               |                |
| 10                      | 6P2-85780-00-00        | SENSOR, KNOCK       | 1               |                |



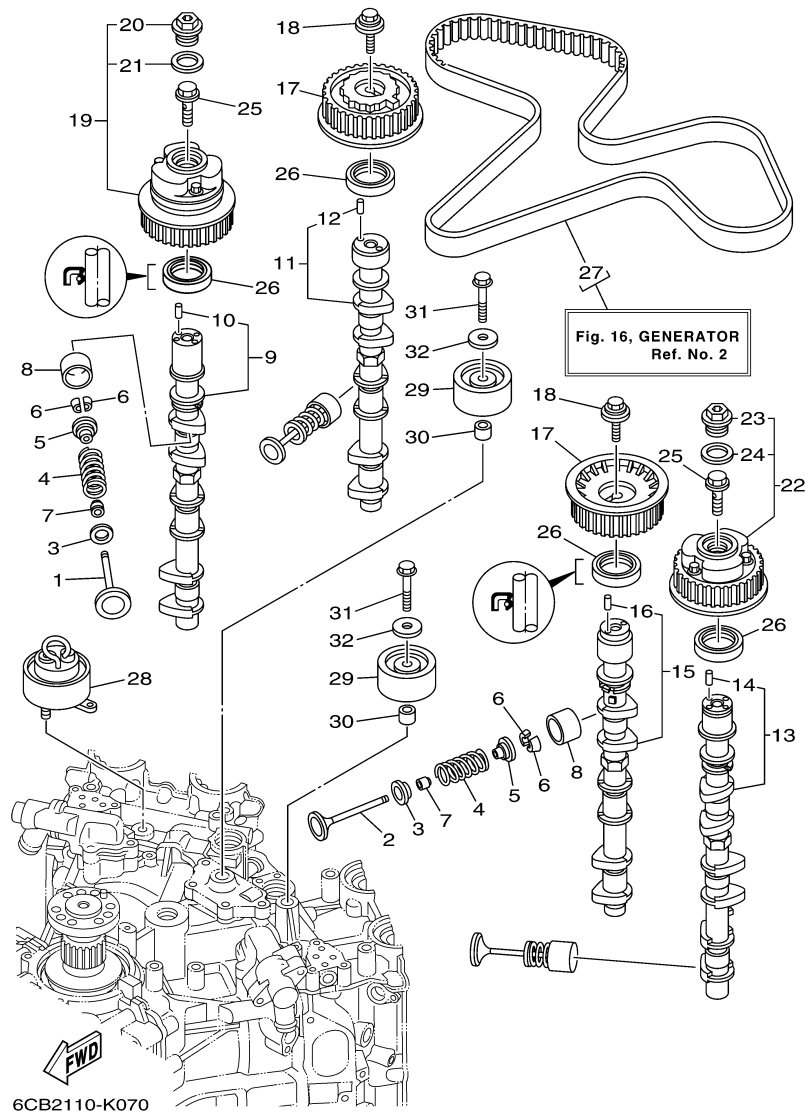
6CE2110-L060

## Part List

LF300XCA\_0112 / CYLINDER CRANKCASE 4

| REF<br>-<br>NO | PART<br>NUMBER  | PART NAME     | QUANTITY | REMARKS |
|----------------|-----------------|---------------|----------|---------|
| 1              | 90445-09220-00  | HOSE (L30)    | 1        |         |
| 2              | 688-24378-00-00 | PIPE, JOINT 3 | 1        |         |
| 3              | 6CB-12576-10-00 | HOSE 1        | 1        |         |
| 4              | 90464-10M59-00  | CLAMP         | 1        |         |
| 5              | 90464-09013-00  | CLAMP         | 1        |         |
| 6              | 90464-12010-00  | CLAMP         | 1        |         |
| 7              | 6CB-12577-00-00 | HOSE 2        | 1        |         |
| 8              | 90464-26002-00  | CLAMP         | 1        |         |
| 9              | 90445-096H2-00  | HOSE (L280)   | 1        |         |
| 10             | 90465-11M10-00  | CLAMP         | 4        |         |
| 11             | 6CE-1244G-00-00 | HOSE, 4       | 1        |         |
| 12             | 6CE-24378-00-00 | PIPE, JOINT 3 | 1        |         |
| 13             | 6CE-1244H-00-00 | HOSE 5        | 1        |         |
| 14             | 6CB-1243E-00-00 | HOSE 2        | 1        |         |
| 15             | 90465-11M59-00  | CLAMP         | 6        |         |



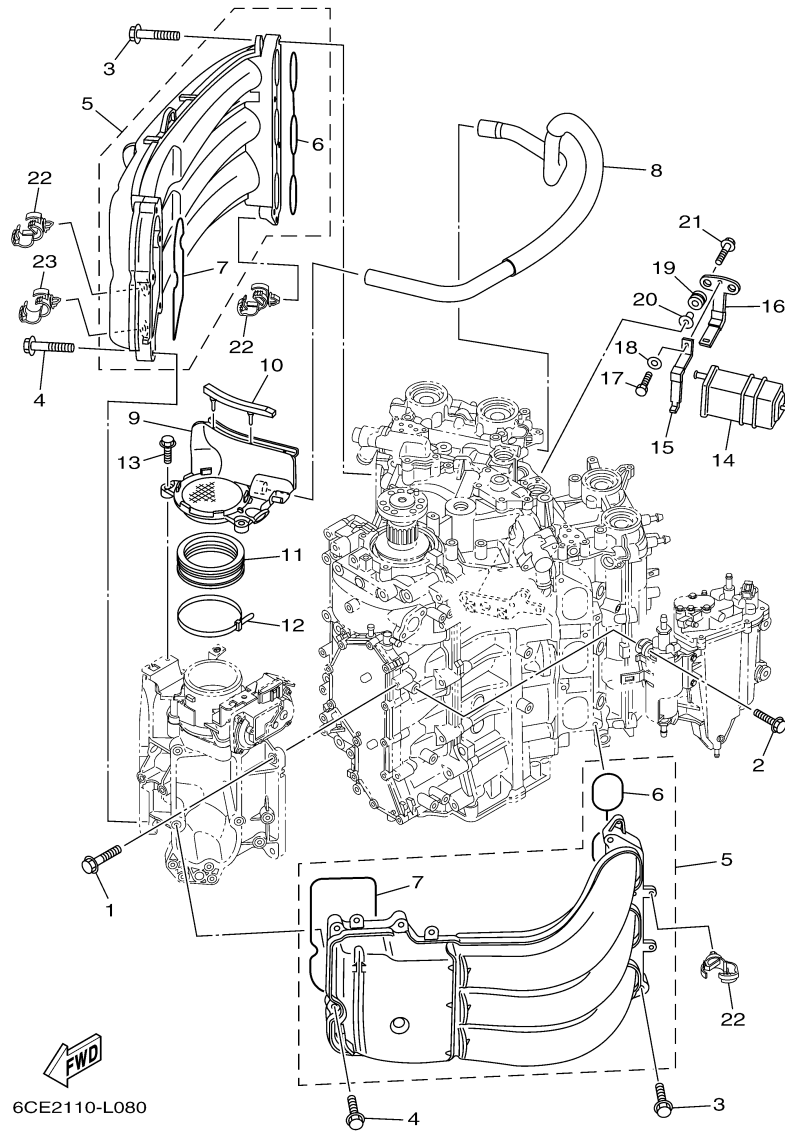


## Part List

LF300XCA\_0112 / VALVE

| REF - NO | PART NUMBER     | PART NAME                      | QUANTITY | REMARKS |
|----------|-----------------|--------------------------------|----------|---------|
| 1        | 6CB-12111-00-00 | VALVE, INTAKE                  | 12       |         |
| 2        | 6CB-12121-00-00 | VALVE, EXHAUST                 | 12       |         |
| 3        | K0F-A3743-00-00 | SEAT, VALVE SPRING             | 24       |         |
| 4        | 6CB-12113-00-00 | SPRING, VALVE INNER            | 24       |         |
| 5        | K0F-A3741-00-00 | RETAINER, VALVE SPRING         | 24       |         |
| 6        | K0F-A3742-00-00 | LOCK, VALVE SPRING<br>RETAINER | 48       |         |
| 7        | 51Y-12119-00-00 | SEAL, VALVE STEM               | 24       |         |
| 8        | K0F-A3751-00-00 | LIFTER, VALVE (3.000)          | 24       | UR      |
| 8        | K0F-A3753-70-00 | LIFTER, VALVE (3.725)          | 24       | UR      |
| 8        | K0F-A3751-20-00 | LIFTER, VALVE (3.050)          | 24       | UR      |
| 8        | K0F-A3751-30-00 | LIFTER, VALVE (3.075)          | 24       | UR      |
| 8        | K0F-A3751-40-00 | LIFTER, VALVE (3.100)          | 24       | UR      |
| 8        | K0F-A3751-50-00 | LIFTER, VALVE (3.122)          | 24       | UR      |
| 8        | K0F-A3751-60-00 | LIFTER, VALVE (3.142)          | 24       | UR      |
| 8        | K0F-A3751-70-00 | LIFTER, VALVE (3.162)          | 24       | UR      |
| 8        | K0F-A3751-80-00 | LIFTER, VALVE (3.182)          | 24       | UR      |
| 8        | K0F-A3751-90-00 | LIFTER, VALVE (3.202)          | 24       | UR      |
| 8        | K0F-A3751-A0-00 | LIFTER, VALVE (3.222)          | 24       | UR      |
| 8        | K0F-A3751-B0-00 | LIFTER, VALVE (3.242)          | 24       | UR      |
| 8        | K0F-A3751-C0-00 | LIFTER, VALVE (3.262)          | 24       | UR      |
| 8        | K0F-A3751-D0-00 | LIFTER, VALVE (3.282)          | 24       | UR      |
| 8        | K0F-A3751-E0-00 | LIFTER, VALVE (3.302)          | 24       | UR      |
| 8        | K0F-A3751-F0-00 | LIFTER, VALVE (3.322)          | 24       | UR      |
| 8        | K0F-A3751-G0-00 | LIFTER, VALVE (3.342)          | 24       | UR      |
| 8        | K0F-A3751-H0-00 | LIFTER, VALVE (3.362)          | 24       | UR      |
| 8        | K0F-A3751-J0-00 | LIFTER, VALVE ((3.382)         | 24       | UR      |
| 8        | K0F-A3751-K0-00 | LIFTER, VALVE (3.402)          | 24       | UR      |
| 8        | K0F-A3751-L0-00 | LIFTER, VALVE (3.422)          | 24       | UR      |
| 8        | K0F-A3751-M0-00 | LIFTER, VALVE (3.442)          | 24       | UR      |
| 8        | K0F-A3751-N0-00 | LIFTER, VALVE (3.462)          | 24       | UR      |
| 8        | K0F-A3751-P0-00 | LIFTER, VALVE (3.482)          | 24       | UR      |
| 8        | K0F-A3751-R0-00 | LIFTER, VALVE (3.502)          | 24       | UR      |
| 8        | K0F-A3751-S0-00 | LIFTER, VALVE (3.522)          | 24       | UR      |
| 8        | K0F-A3751-T0-00 | LIFTER, VALVE (3.542)          | 24       | UR      |
| 8        | K0F-A3753-00-00 | LIFTER, VALVE (3.562)          | 24       | UR      |
| 8        | K0F-A3753-10-00 | LIFTER, VALVE (3.582)          | 24       | UR      |
| 8        | K0F-A3753-20-00 | LIFTER, VALVE (3.602)          | 24       | UR      |
| 8        | K0F-A3753-30-00 | LIFTER, VALVE (3.625)          | 24       | UR      |
| 8        | K0F-A3753-40-00 | LIFTER, VALVE (3.650)          | 24       | UR      |
| 8        | K0F-A3753-50-00 | LIFTER, VALVE (3.675)          | 24       | UR      |
| 8        | K0F-A3753-60-00 | LIFTER, VALVE (3.700)          | 24       | UR      |
| 8        | K0F-A3751-10-00 | LIFTER, VALVE (3.025)          | 24       | UR      |
| 9        | 6CB-12171-00-00 | CAMSHAFT 1                     | 1        |         |
| 10       | 93605-10108-00  | .PIN, DOWEL                    | 1        |         |
| 11       | 6CB-12181-00-00 | CAMSHAFT 2                     | 1        |         |
| 12       | 93605-10108-00  | .PIN, DOWEL                    | 1        |         |
| 13       | 6CB-12172-00-00 | CAMSHAFT 3                     | 1        |         |
| 14       | 93605-10108-00  | .PIN, DOWEL                    | 1        |         |
| 15       | 6CB-12182-00-00 | CAMSHAFT 4                     | 1        |         |
| 16       | 93605-10108-00  | .PIN, DOWEL                    | 1        |         |
| 17       | 6CB-11567-00-00 | GEAR, DRIVEN 2                 | 2        |         |
| 18       | 90119-10050-00  | BOLT, WITH WASHER              | 2        |         |

|    |                 |                         |   |  |
|----|-----------------|-------------------------|---|--|
| 19 | 6CB-12645-01-00 | PULLEY ASSY 1           | 1 |  |
| 20 | 6P2-12623-00-00 | .BOLT                   | 1 |  |
| 21 | 6P2-12663-00-00 | .GASKET                 | 1 |  |
| 22 | 6CB-1264A-01-00 | PULLEY ASSY 2           | 1 |  |
| 23 | 6P2-12623-00-00 | .BOLT                   | 1 |  |
| 24 | 6P2-12663-00-00 | .GASKET                 | 1 |  |
| 25 | 6P2-12615-00-00 | BOLT                    | 2 |  |
| 26 | 93102-38008-00  | .OIL SEAL               | 4 |  |
| 27 | 6CB-W4624-00-00 | BELT (WITH ROTOR BOLTS) | 1 |  |
| 28 | 6CB-11590-01-00 | TENSIONER ASSY          | 1 |  |
| 29 | 6CB-15512-00-00 | GEAR, IDLER 1           | 2 |  |
| 30 | 99530-14016-00  | PIN, DOWEL              | 2 |  |
| 31 | 90119-10M07-00  | BOLT, WITH WASHER       | 2 |  |
| 32 | 90201-10M01-00  | WASHER, PLATE           | 2 |  |

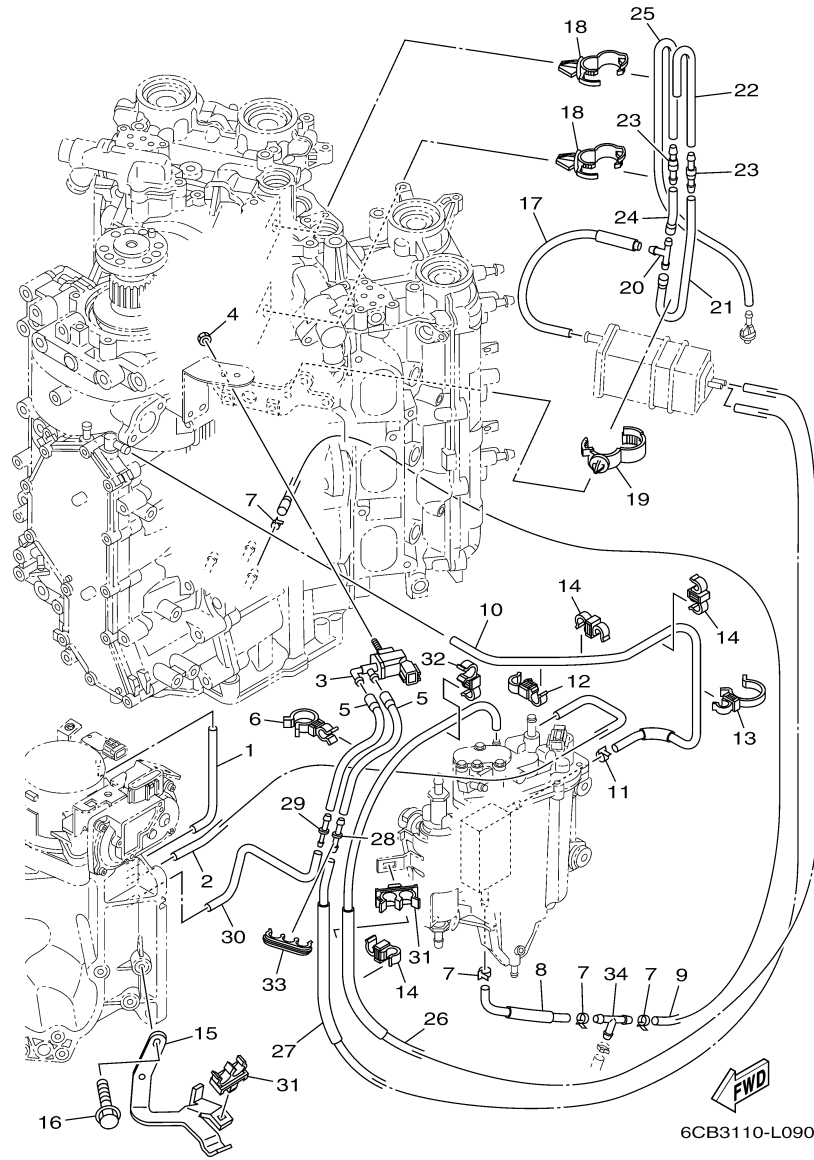


6CE2110-L080

## Part List

LF300XCA\_0112 / INTAKE 1

| REF<br>-<br>NO | PART<br>NUMBER  | PART NAME             | QUANTITY | REMARKS              |
|----------------|-----------------|-----------------------|----------|----------------------|
| 1              | 95875-08030-00  | BOLT, FLANGE          | 4        |                      |
| 2              | 90119-06M24-00  | BOLT, WITH WASHER     | 4        |                      |
| 3              | 90119-08020-00  | BOLT, WITH WASHER     | 8        |                      |
| 4              | 90105-06035-00  | BOLT, FLANGE          | 10       |                      |
| 5              | 6CE-13641-00-00 | MANIFOLD, INTAKE 1    | 2        |                      |
| 6              | 6CB-13645-00-00 | .GASKET, MANIFOLD 1   | 1        | NOTE: 1 PER MANIFOLD |
| 7              | 6CB-13646-00-00 | .GASKET, MANIFOLD 2   | 1        | NOTE: 1 PER MANIFOLD |
| 8              | 6CB-15373-00-00 | PIPE, BREATHER        | 1        |                      |
| 9              | 6CB-14440-01-00 | SILENCER ASSY, INTAKE | 1        |                      |
| 10             | 6CB-85547-00-00 | DAMPER                | 1        |                      |
| 11             | 6AW-1441J-00-00 | PIPE, SILENCER        | 1        |                      |
| 12             | 90464-99004-00  | CLAMP                 | 1        |                      |
| 13             | 95895-06020-00  | BOLT, FLANGE          | 2        |                      |
| 14             | 69J-24170-00-00 | CANISTER ASSY         | 1        |                      |
| 15             | 69J-2419A-01-00 | HOLDER                | 1        |                      |
| 16             | 69J-2134X-00-00 | BRACKET, CANISTER     | 1        |                      |
| 17             | 97095-06016-00  | BOLT                  | 1        |                      |
| 18             | 92995-06600-00  | WASHER                | 1        |                      |
| 19             | 90480-10M23-00  | GROMMET               | 2        |                      |
| 20             | 90387-06M60-00  | COLLAR                | 2        |                      |
| 21             | 90119-06M17-00  | BOLT, WITH WASHER     | 2        |                      |
| 22             | 90464-13249-00  | CLAMP                 | 8        |                      |
| 23             | 90464-20181-00  | CLAMP                 | 1        |                      |

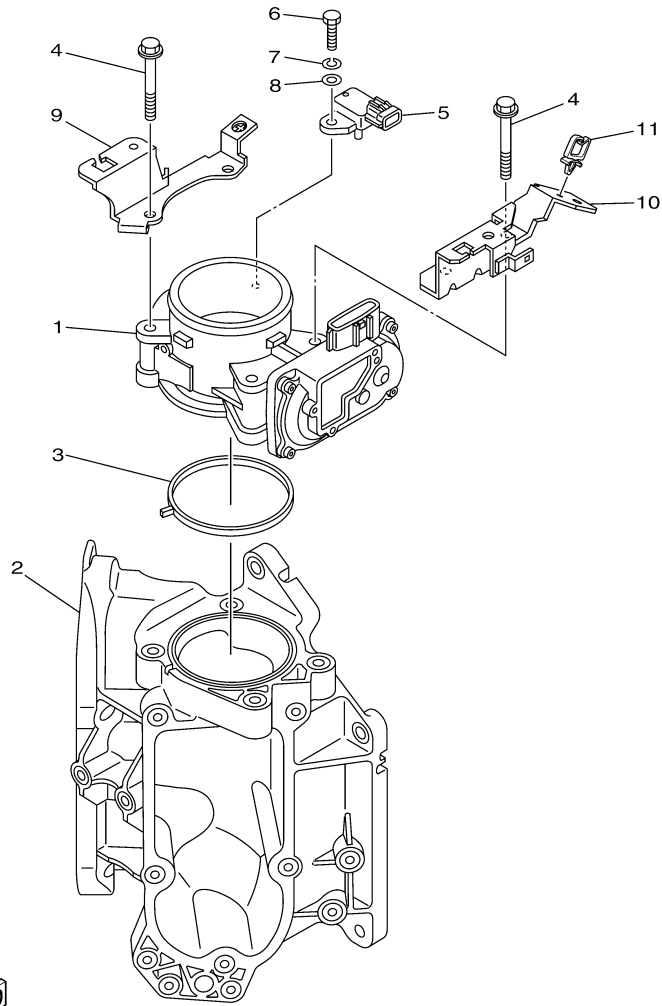


6CB3110-L090

## Part List

LF300XCA\_0112 / INTAKE 2

| REF<br>-<br>NO | PART<br>NUMBER  | PART NAME              | QUANTITY | REMARKS |
|----------------|-----------------|------------------------|----------|---------|
| 1              | 6CB-13533-00-00 | HOSE, VACUUM SENSING 4 | 1        |         |
| 2              | 6CB-13532-00-00 | HOSE, VACUUM SENSING 3 | 1        |         |
| 3              | 6C5-86120-00-00 | SOLENOID VALVE ASSY    | 1        |         |
| 4              | 95380-06600-00  | NUT, HEXAGON           | 1        |         |
| 5              | 6CB-2416A-00-00 | HOSE                   | 2        |         |
| 6              | 90464-23001-00  | CLAMP                  | 2        |         |
| 7              | 90465-11M10-00  | CLAMP                  | 4        |         |
| 8              | 6CE-12482-10-00 | PIPE 2                 | 1        |         |
| 9              | 90445-097F7-00  | HOSE (L780)            | 1        |         |
| 10             | 6CB-12484-00-00 | PIPE 4                 | 1        |         |
| 11             | 90465-11M10-00  | CLAMP                  | 1        |         |
| 12             | 90464-12010-00  | CLAMP                  | 1        |         |
| 13             | 90464-26002-00  | CLAMP                  | 1        |         |
| 14             | 90464-09013-00  | CLAMP                  | 3        |         |
| 15             | 6CB-13782-00-00 | STAY                   | 1        |         |
| 16             | 95895-06016-00  | BOLT, FLANGE           | 2        |         |
| 17             | 6CB-13545-00-00 | HOSE 1                 | 1        |         |
| 18             | 90464-20181-00  | CLAMP                  | 2        |         |
| 19             | 90464-07209-00  | CLAMP                  | 1        |         |
| 20             | 688-24378-00-00 | PIPE, JOINT 3          | 1        |         |
| 21             | 6CB-13546-00-00 | HOSE 2                 | 1        |         |
| 22             | 6CB-13547-00-00 | HOSE 3                 | 1        |         |
| 23             | 6E5-21744-00-00 | BREATHER               | 2        |         |
| 24             | 6CB-13548-00-00 | HOSE, AIR 4            | 1        |         |
| 25             | 6CB-12483-00-00 | PIPE 3                 | 1        |         |
| 26             | 6CB-1475A-00-00 | PIPE 1                 | 1        |         |
| 27             | 6CB-1475F-00-00 | PIPE 3                 | 1        |         |
| 28             | 6G8-24376-00-00 | PIPE, JOINT 1          | 1        |         |
| 29             | 6CB-14989-00-00 | ORIFICE, AIR VENT      | 1        |         |
| 30             | 6CB-1475G-00-00 | PIPE 4                 | 1        |         |
| 31             | 90464-11012-00  | CLAMP                  | 2        |         |
| 32             | 90464-12010-00  | CLAMP                  | 1        |         |
| 33             | 90464-10011-00  | CLAMP                  | 1        |         |
| 34             | 688-24378-00-00 | PIPE, JOINT 3          | 1        |         |



  
6CB3110-L100




## Part List

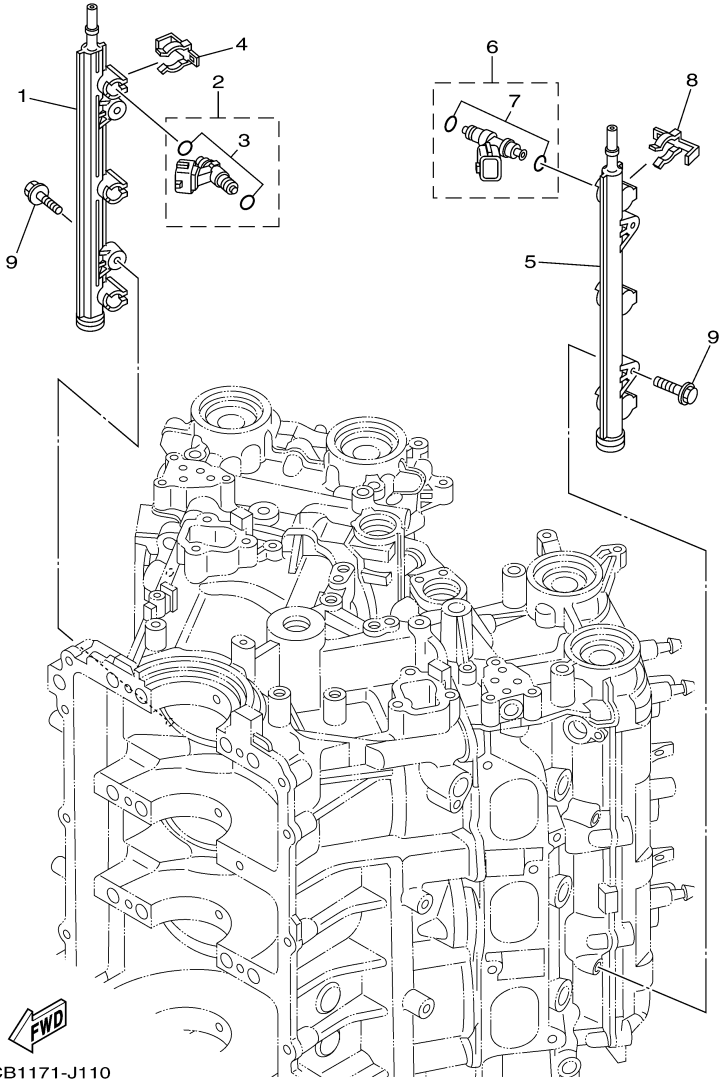
LF300XCA\_0112 / THROTTLE BODY ASSY 1

| REF - NO | PART NUMBER     | PART NAME         | QUANTITY | REMARKS |
|----------|-----------------|-------------------|----------|---------|
| 1        | 6CB-13751-00-00 | BODY, THROTTLE 1  | 1        |         |
| 2        | 6CB-13711-00-00 | MIXING BODY       | 1        |         |
| 3        | 6CB-13556-00-00 | .GASKET, MANIFOLD | 1        |         |
| 4        | 95875-08060-00  | BOLT, FLANGE      | 4        |         |
| 5        | 6P2-82380-00-00 | SENSOR, PRESSURE  | 1        |         |
| 6        | 97075-06020-00  | BOLT              | 1        |         |
| 7        | 92995-06100-00  | WASHER, SPRING    | 1        |         |
| 8        | 92995-06600-00  | WASHER            | 1        |         |
| 9        | 6CB-13898-00-00 | HOLDER            | 1        |         |
| 10       | 6CB-13898-10-00 | HOLDER            | 1        |         |
| 11       | 90464-08004-00  | CLAMP             | 1        |         |

## Part Notes

LF300XCA\_0112 / THROTTLE BODY ASSY 1

| PART NUMBER  | NOTE TEXT   |
|--|---|
| 92995-06100-00  | OEM: This part number is among the Top 100 Most Popular Marine Maintenance Parts as of February 2013. |

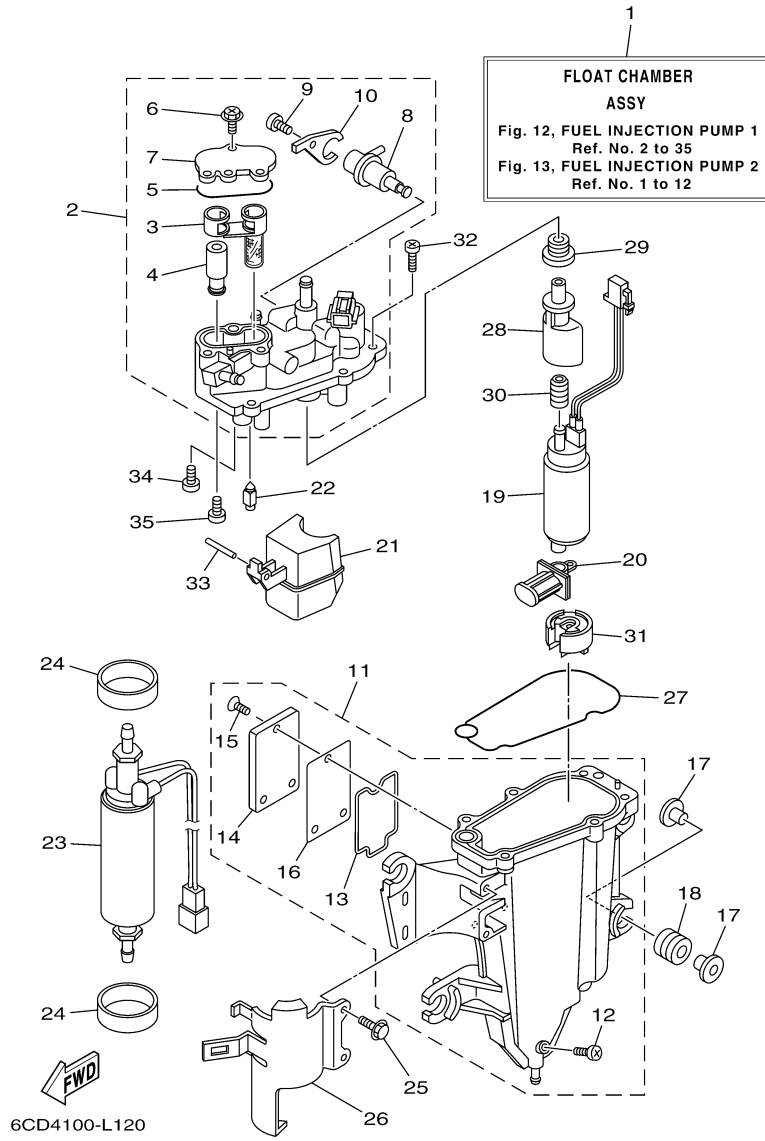


6CB1171-J110

# Part List

LF300XCA\_0112 / THROTTLE BODY ASSY 2

| REF<br>-<br>NO | PART<br>NUMBER  | PART NAME        | QUANTITY | REMARKS |
|----------------|-----------------|------------------|----------|---------|
| 1              | 6CB-13161-00-00 | PIPE, DELIVERY 1 | 1        |         |
| 2              | 6AW-13761-00-00 | INJECTOR         | 3        |         |
| 3              | 6AW-1410B-00-00 | .PACKING KIT     | 1        |         |
| 4              | 6CB-13577-00-00 | CLIP             | 3        |         |
| 5              | 6CB-13171-00-00 | PIPE, DELIVERY 2 | 1        |         |
| 6              | 6AW-13761-00-00 | INJECTOR         | 3        |         |
| 7              | 6AW-1410B-00-00 | .PACKING KIT     | 1        |         |
| 8              | 6CB-13577-00-00 | CLIP             | 3        |         |
| 9              | 90105-06M08-00  | BOLT, FLANGE     | 4        |         |




# Part List

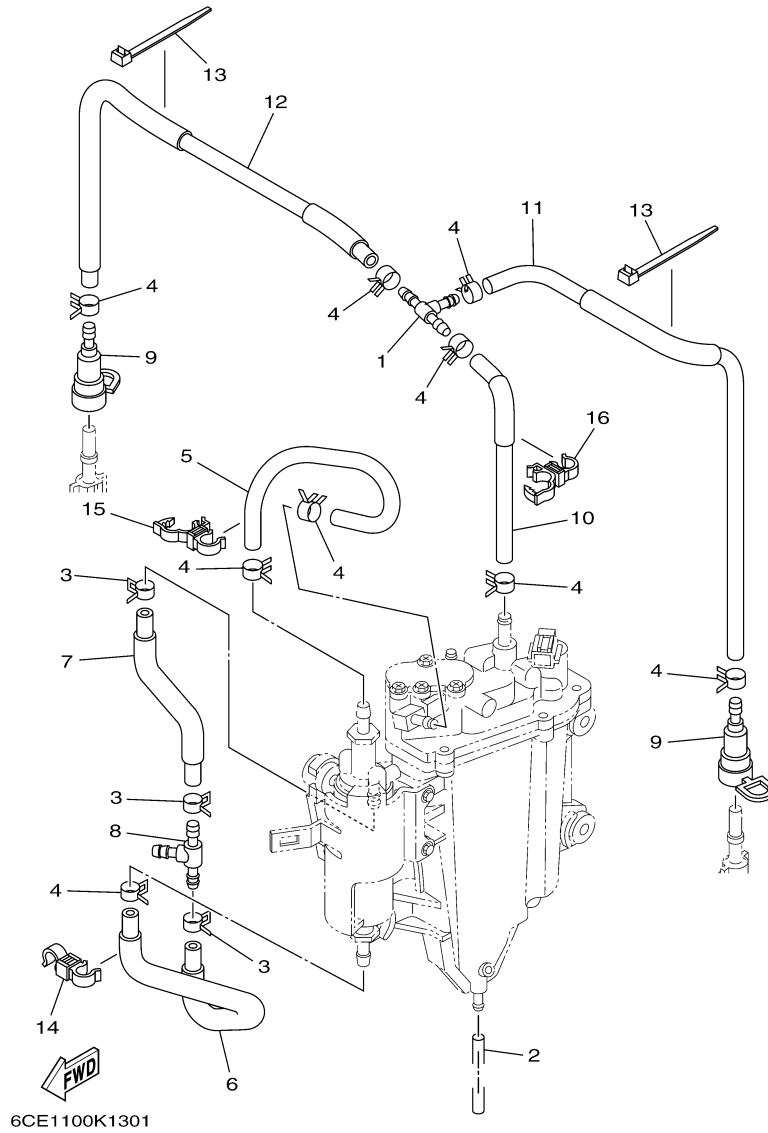
LF300XCA\_0112 / FUEL INJECTION PUMP 1

| REF - NO | PART NUMBER     | PART NAME             | QUANTITY | REMARKS |
|----------|-----------------|-----------------------|----------|---------|
| 1        | 6CB-14180-03-00 | FLOAT CHAMBER ASSY    | 1        |         |
| 2        | 6CB-14182-01-00 | COVER, FLOAT CHAMBER  | 1        |         |
| 3        | 6CB-24501-01-00 | .FILTER, FUEL         | 1        |         |
| 4        | 6CB-24460-00-00 | .RELIEF VALVE ASSY    | 1        |         |
| 5        | 6CB-13016-00-00 | .O-RING               | 1        |         |
| 6        | 6CB-14216-00-00 | .SCREW                | 3        |         |
| 7        | 6CB-24217-00-00 | .COVER                | 1        |         |
| 8        | 6CB-13906-01-00 | .REGULATOR, PRESSURE  | 1        |         |
| 9        | 6CB-14564-00-00 | .SCREW                | 1        |         |
| 10       | 6CB-14146-00-00 | .PLATE                | 1        |         |
| 11       | 6CB-14181-01-00 | BODY, FLOAT CHAMBER 1 | 1        |         |
| 12       | 6P2-14191-00-00 | .PLUG, DRAIN          | 1        |         |
| 13       | 6CB-14239-00-00 | .SEAL                 | 1        |         |
| 14       | 6CB-24452-10-00 | .COVER                | 1        |         |
| 15       | 6CB-14429-01-00 | .SCREW                | 3        |         |
| 16       | 6CB-24482-00-00 | .GASKET 1             | 1        |         |
| 17       | 69J-13716-00-00 | COLLAR                | 8        |         |
| 18       | 6CB-13593-00-00 | DAMPER                | 4        |         |
| 19       | 6CB-13907-10-00 | FUEL PUMP COMP.       | 1        |         |
| 20       | 63P-13915-00-00 | FILTER                | 1        |         |
| 21       | 6CB-14985-00-00 | FLOAT                 | 1        |         |
| 22       | 6CB-14546-00-00 | VALVE, NEEDLE         | 1        |         |
| 23       | 6CB-24410-00-00 | FUEL PUMP ASSY        | 1        |         |
| 24       | 6CB-24492-00-00 | BUSH, FUEL PUMP       | 2        |         |
| 25       | 6CB-24592-00-00 | BOLT                  | 2        |         |
| 26       | 6CB-24491-00-00 | BRACKET, FUEL PUMP    | 1        |         |
| 27       | 6CB-14984-00-00 | GASKET, FLOAT CHAMBER | 1        |         |
| 28       | 6AW-13132-00-00 | JOINT                 | 1        |         |
| 29       | 6CB-1447B-00-00 | BUSH 1                | 1        |         |
| 30       | 6AW-13781-00-00 | DAMPER, PUMP          | 1        |         |
| 31       | 6AW-13784-00-00 | COVER, PUMP           | 1        |         |
| 32       | 63P-14567-00-00 | SCREW                 | 6        |         |
| 33       | 6P2-14386-00-00 | PIN, FLOAT            | 1        |         |
| 34       | 4SV-24453-00-00 | SCREW                 | 1        |         |
| 35       | 98507-04008-00  | .SCREW, PAN HEAD      | 1        |         |

# Part Notes

LF300XCA\_0112 / FUEL INJECTION PUMP 1

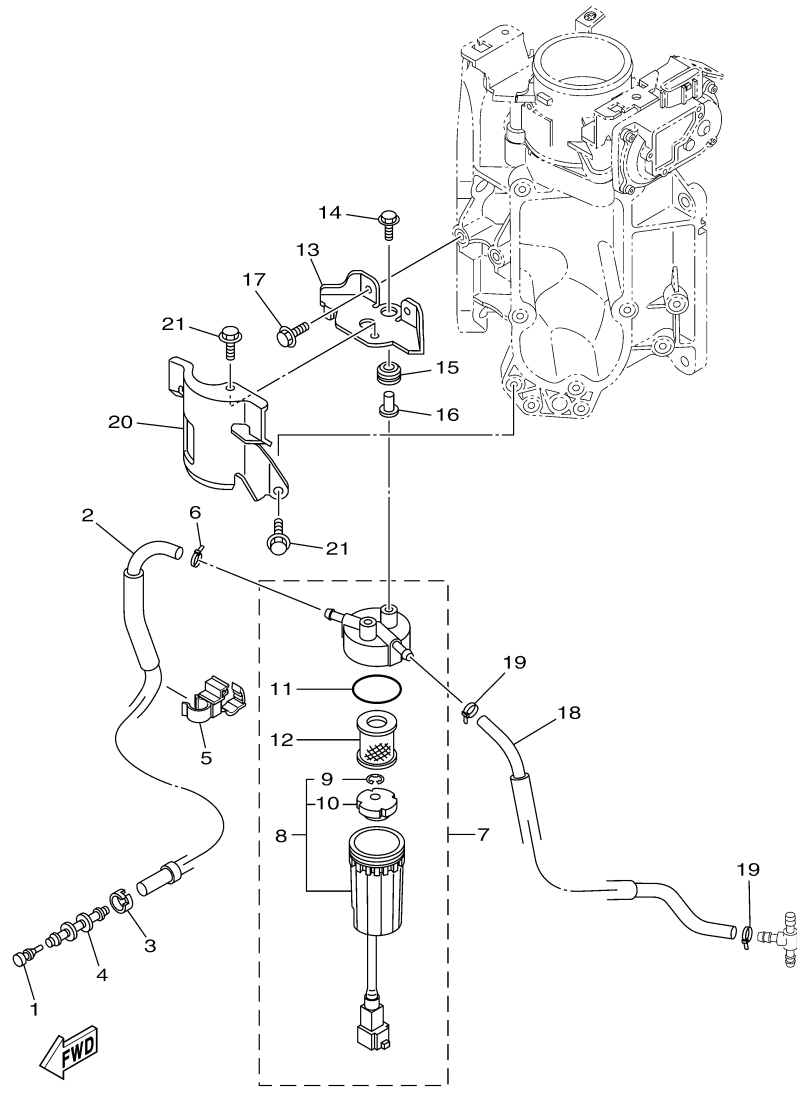
| PART NUMBER   | NOTE TEXT   |
|---|---|
| 63P-13915-00-00  | OEM: This part number is among the Top 100 Most Popular Marine Maintenance Parts as of February 2013. |



## Part List

LF300XCA\_0112 / FUEL INJECTION PUMP 2

| REF<br>-<br>NO | PART<br>NUMBER  | PART NAME       | QUANTITY | REMARKS          |
|----------------|-----------------|-----------------|----------|------------------|
| 1              | 6CB-24461-00-00 | PIPE, JOINT     | 1        |                  |
| 2              | 6P2-14149-00-00 | PIPE            | 1        |                  |
| 3              | 69J-14137-00-00 | CLIP            | 3        |                  |
| 4              | 68V-13577-00-00 | CLIP            | 9        |                  |
| 5              | 6CB-24324-00-00 | PIPE 13         | 1        |                  |
| 6              | 6CB-24317-00-00 | PIPE 7          | 1        |                  |
| 7              | 6CB-24323-00-00 | PIPE 12         | 1        |                  |
| 8              | 6E5-24378-00-00 | PIPE, JOINT 3   | 1        |                  |
| 9              | 60E-24300-01-00 | FUEL PIPE JOINT | 2        |                  |
| 10             | 6CB-13971-01-00 | PIPE, FUEL 1    | 1        |                  |
| 11             | 6CB-13974-01-00 | PIPE, FUEL 4    | 1        | UR 6CF:1002601 - |
| 11             | 6CB-13974-00-00 | PIPE, FUEL 4    | 1        |                  |
| 12             | 6CB-13972-00-00 | PIPE, FUEL 2    | 1        |                  |
| 13             | 90465-14M66-00  | CLAMP           | 2        | UR 6CF:1002601 - |
| 13             | 90465-14M66-00  | CLAMP           | 1        |                  |
| 14             | 90464-12009-00  | CLAMP           | 1        |                  |
| 15             | 90464-12012-00  | CLAMP           | 1        |                  |
| 16             | 90464-12012-00  | CLAMP           | 1        |                  |



6CE2110-L140




## Part List

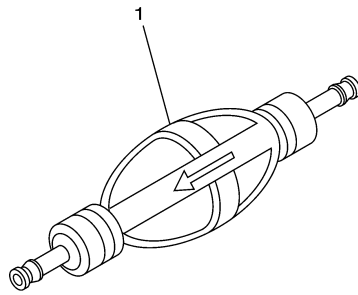
LF300XCA\_0112 / FUEL 1

| REF - NO | PART NUMBER     | PART NAME            | QUANTITY | REMARKS |
|----------|-----------------|----------------------|----------|---------|
| 1        | 689-85547-00-00 | DAMPER               | 1        |         |
| 2        | 6CB-24314-11-00 | PIPE 4               | 1        |         |
| 3        | 6E5-24351-51-00 | BAND 1               | 1        |         |
| 4        | 6AW-24377-01-00 | PIPE, JOINT 2        | 1        |         |
| 5        | 90464-12012-00  | CLAMP                | 1        |         |
| 6        | 90465-11M10-00  | CLAMP                | 1        |         |
| 7        | 6P3-24560-22-00 | FILTER ASSY          | 1        |         |
| 8        | 6P3-24562-21-00 | .CUP, FILTER         | 1        |         |
| 9        | 6P3-24519-00-00 | ..CLIP               | 1        |         |
| 10       | 6P3-24469-00-00 | ..FLOAT, WATER LEVEL | 1        |         |
| 11       | 6P3-24564-00-00 | .GASKET              | 1        |         |
| 12       | 6P3-24563-01-00 | .ELEMENT, FILTER     | 1        |         |
| 13       | 6CB-24566-00-00 | BRACKET, FILTER      | 1        |         |
| 14       | 90119-06M17-00  | BOLT, WITH WASHER    | 2        |         |
| 15       | 90480-10M23-00  | GROMMET              | 2        |         |
| 16       | 90387-06M60-00  | COLLAR               | 2        |         |
| 17       | 95895-06016-00  | BOLT, FLANGE         | 2        |         |
| 18       | 6CB-24313-10-00 | PIPE 3               | 1        |         |
| 19       | 90465-11M10-00  | CLAMP                | 2        |         |
| 20       | 6CB-24596-01-00 | COVER                | 1        |         |
| 21       | 95895-06014-00  | BOLT, FLANGE         | 2        |         |

## Part Notes

LF300XCA\_0112 / FUEL 1

| PART NUMBER   | NOTE TEXT   |
|---|---|
| 6P3-24564-00-00  | OEM: This part number is among the Top 100 Most Popular Marine Maintenance Parts as of February 2013. |

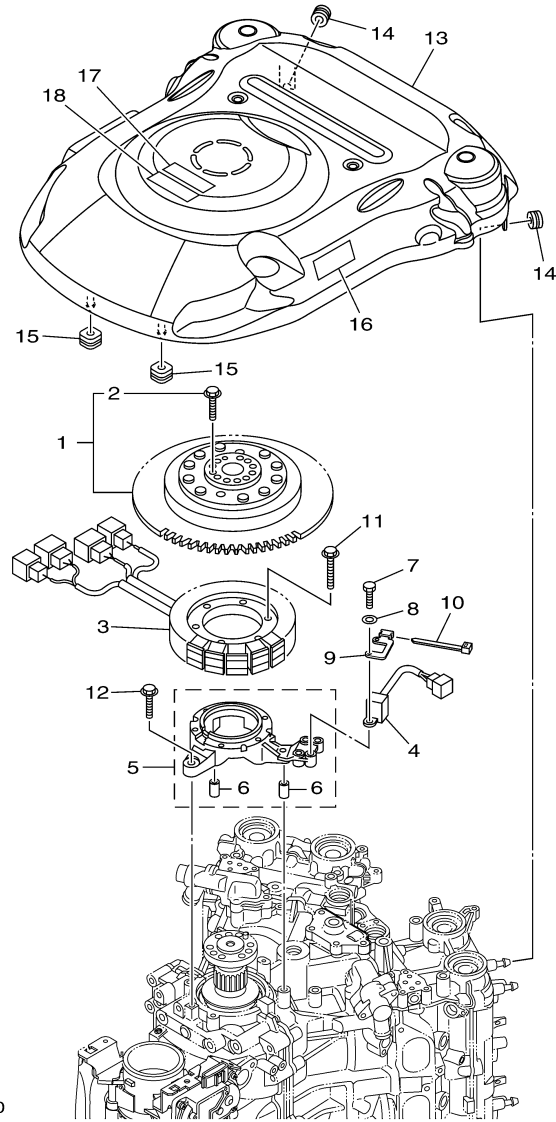


68V9110-J110

# Part List

LF300XCA\_0112 / FUEL 2

| REF<br>-<br>NO | PART<br>NUMBER  | PART NAME        | QUANTITY | REMARKS |
|----------------|-----------------|------------------|----------|---------|
| 1              | 6AW-24360-01-00 | PRIMER PUMP ASSY | 1        | AP      |




# Part List

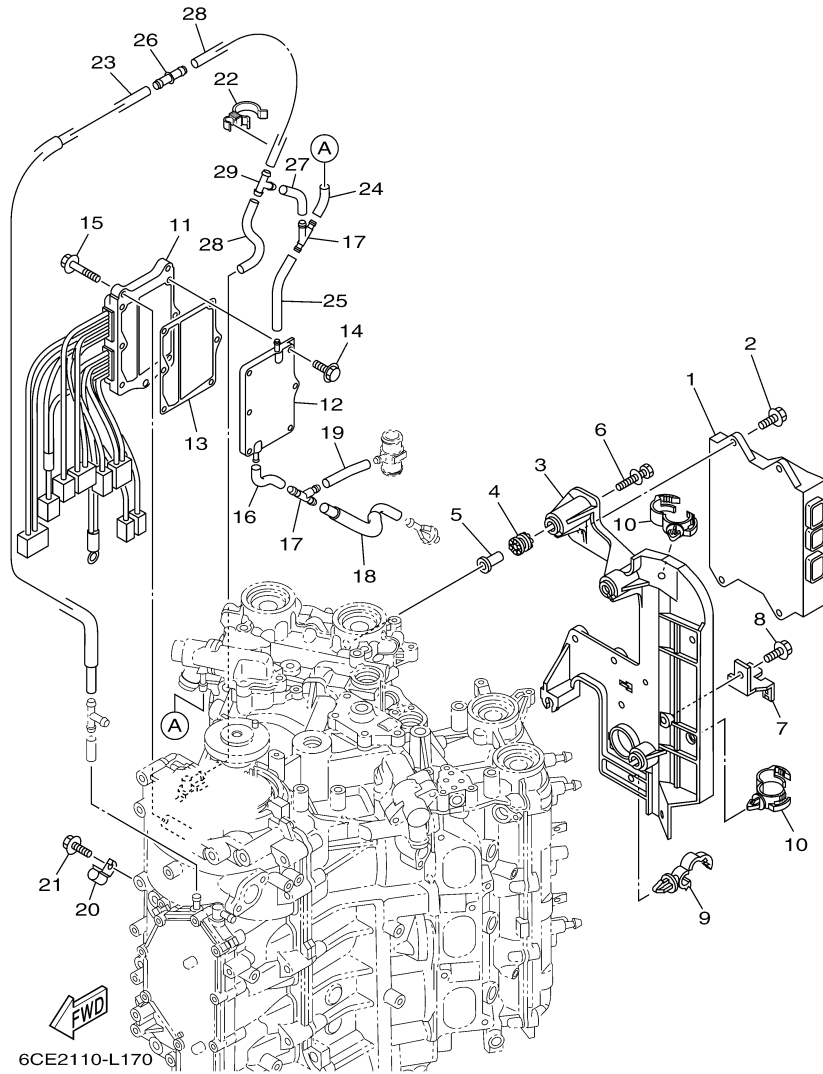
LF300XCA\_0112 / GENERATOR

| REF - NO | PART NUMBER     | PART NAME                  | QUANTITY | REMARKS |
|----------|-----------------|----------------------------|----------|---------|
| 1        | 6CE-W8145-01-00 | ROTOR ASSY WITH BOLTS      | 1        |         |
| 2        | 6AW-W9011-00-00 | .BOLT SET (FOR ROTOR ASSY) | 1        |         |
| 3        | 6CE-81410-00-00 | STATOR ASSY                | 1        |         |
| 4        | 6CB-85580-00-00 | COIL, PULSER               | 1        |         |
| 5        | 6CB-85561-00-00 | BASE, MAGNETO              | 1        |         |
| 6        | 99530-08012-00  | .PIN, DOWEL                | 2        |         |
| 7        | 97095-05020-00  | .BOLT                      | 2        |         |
| 8        | 92995-05600-00  | WASHER                     | 2        |         |
| 9        | 6CE-85592-00-00 | STAY, PULSER               | 1        |         |
| 10       | 90465-11M10-00  | CLAMP                      | 1        |         |
| 11       | 95022-06035-00  | BOLT, FLANGE               | 6        |         |
| 12       | 95895-06030-00  | BOLT, FLANGE               | 4        |         |
| 13       | 6CB-81337-00-00 | COVER, FLYWHEEL            | 1        |         |
| 14       | 90480-12314-00  | GROMMET                    | 2        |         |
| 15       | 6CB-85516-00-00 | SPACER                     | 2        |         |
| 16       | 6CE-13437-50-00 | MARK, CAUTION              | 1        |         |
| 17       | 6AH-81994-40-00 | LABEL, SAFETY              | 1        |         |
| 18       | 6AH-81994-50-00 | LABEL, SAFETY              | 1        |         |

# Part Notes

LF300XCA\_0112 / GENERATOR

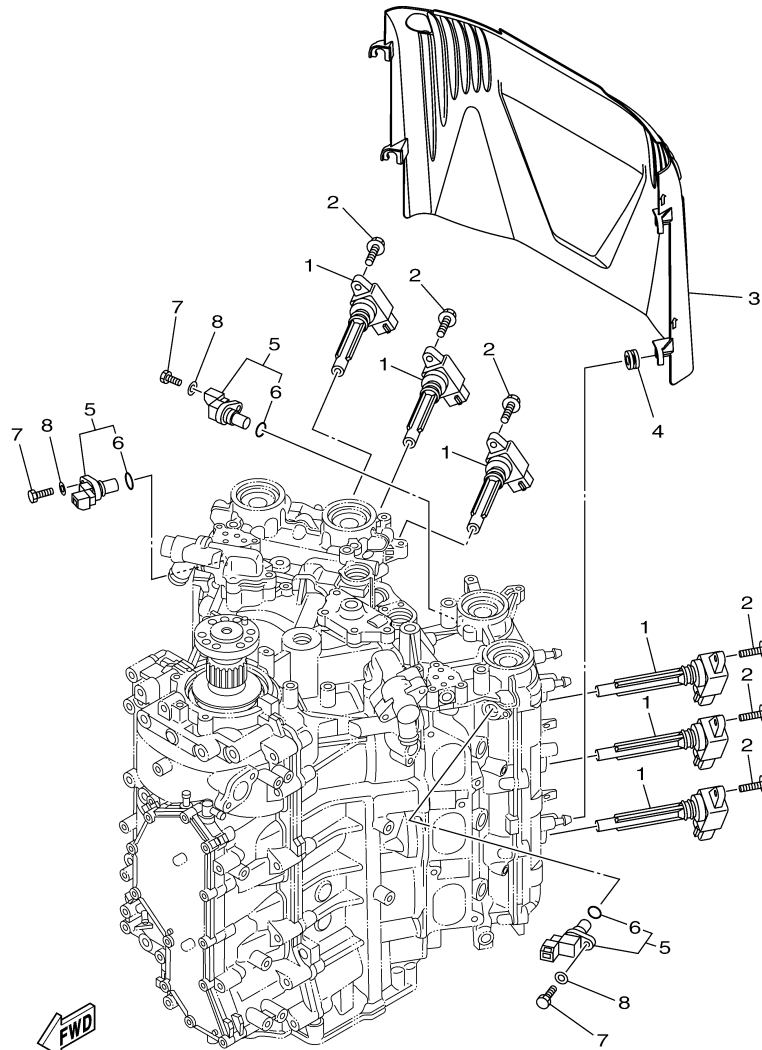
| PART NUMBER  | NOTE TEXT   |
|--|---|
| 90480-12314-00  | OEM: See Remarks Column: GROMMET used on F115TLR and F/LF115TXR 0510 Production and Later |



## Part List

LF300XCA\_0112 / ELECTRICAL 1

| REF<br>-<br>NO | PART<br>NUMBER  | PART NAME                     | QUANTITY | REMARKS |
|----------------|-----------------|-------------------------------|----------|---------|
| 1              | 6CE-8591A-01-00 | ENGINE CONTROL UNIT<br>ASSY   | 1        |         |
| 2              | 95895-06020-00  | BOLT, FLANGE                  | 4        |         |
| 3              | 6CB-82316-01-00 | BRACKET, IGNITION COIL        | 1        |         |
| 4              | 64J-85516-00-00 | SPACER                        | 4        |         |
| 5              | 69M-42758-01-00 | COLLAR                        | 4        |         |
| 6              | 90119-06M56-00  | BOLT, WITH WASHER             | 4        |         |
| 7              | 6BR-81845-00-00 | PLATE                         | 1        |         |
| 8              | 95895-06012-00  | BOLT, FLANGE                  | 1        |         |
| 9              | 90464-13249-00  | CLAMP                         | 1        |         |
| 10             | 90464-20181-00  | CLAMP                         | 2        |         |
| 11             | 6CE-81960-00-00 | RECTIFIER & REGULATOR<br>ASSY | 1        |         |
| 12             | 6CE-81972-00-9S | COVER, RECTIFIER              | 1        |         |
| 13             | 6CE-81975-00-00 | PLATE, RECTIFIER FITTING      | 1        |         |
| 14             | 90119-06MA3-00  | BOLT, WITH WASHER             | 6        |         |
| 15             | 95895-06025-00  | BOLT, FLANGE                  | 3        |         |
| 16             | 6CE-1248A-00-00 | PIPE 8                        | 1        |         |
| 17             | 6CE-24377-00-00 | PIPE, JOINT 2                 | 2        |         |
| 18             | 6CE-12483-00-00 | PIPE 3                        | 1        |         |
| 19             | 90445-107A5-00  | HOSE (L30)                    | 1        |         |
| 20             | 90462-06013-00  | CLAMP                         | 1        |         |
| 21             | 95023-06012-00  | BOLT                          | 1        |         |
| 22             | 90464-26002-00  | CLAMP                         | 1        |         |
| 23             | 6CE-12481-10-00 | PIPE 1                        | 1        |         |
| 24             | 6CE-14872-00-00 | PIPE 2                        | 1        |         |
| 25             | 6CE-12485-00-00 | PIPE 5                        | 1        |         |
| 26             | 6CE-24376-00-00 | PIPE, JOINT 1                 | 1        |         |
| 27             | 6CE-14872-00-00 | PIPE 2                        | 1        |         |
| 28             | 90445-09068-00  | HOSE (L110)                   | 2        |         |
| 29             | 688-24378-00-00 | PIPE, JOINT 3                 | 1        |         |



6CB2110-K180




## Part List

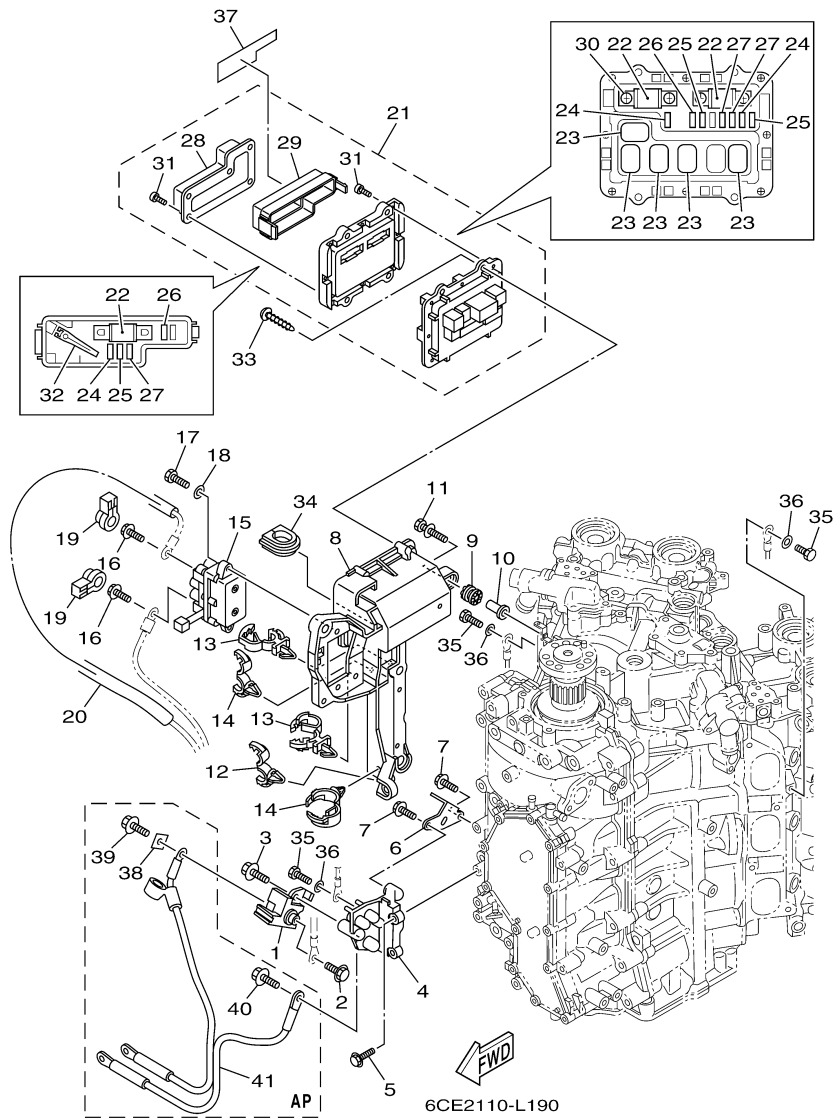
LF300XCA\_0112 / ELECTRICAL 2

| REF<br>-<br>NO | PART<br>NUMBER  | PART NAME            | QUANTITY | REMARKS |
|----------------|-----------------|----------------------|----------|---------|
| 1              | 6CB-82310-00-00 | IGNITION COIL ASSY   | 6        |         |
| 2              | 95895-06025-00  | BOLT, FLANGE         | 6        |         |
| 3              | 6CB-82314-00-00 | COVER, IGNITION COIL | 1        |         |
| 4              | 90480-12314-00  | GROMMET              | 4        |         |
| 5              | 6P2-85896-00-00 | SENSOR, CAM POSITION | 3        |         |
| 6              | 6P2-85075-00-00 | .O-RING              | 1        |         |
| 7              | 97095-06020-00  | BOLT                 | 3        |         |
| 8              | 92995-06600-00  | WASHER               | 3        |         |

## Part Notes

LF300XCA\_0112 / ELECTRICAL 2

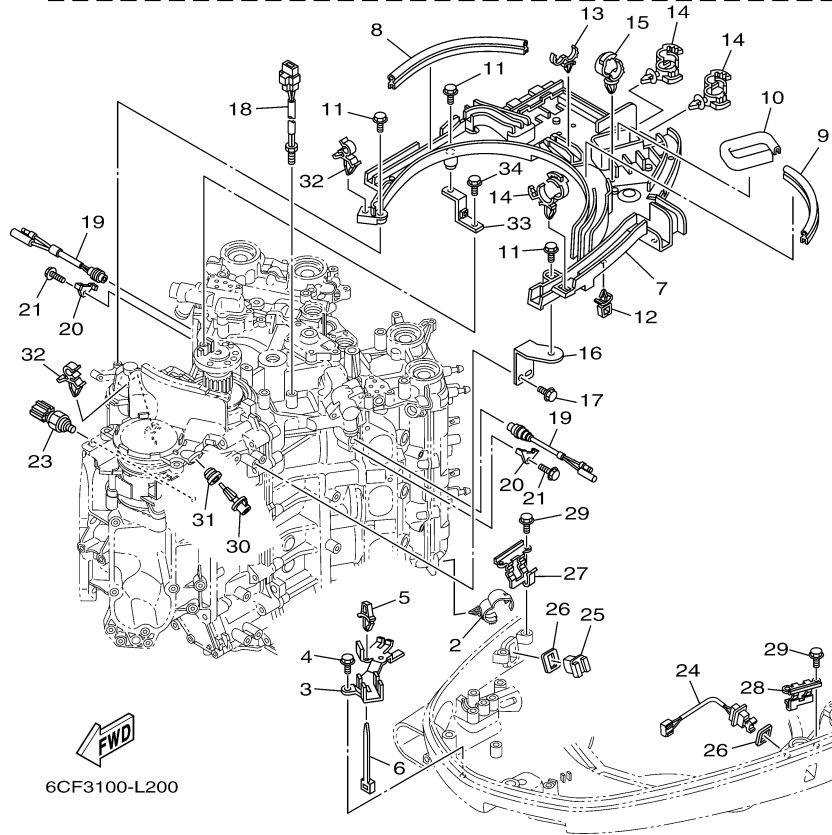
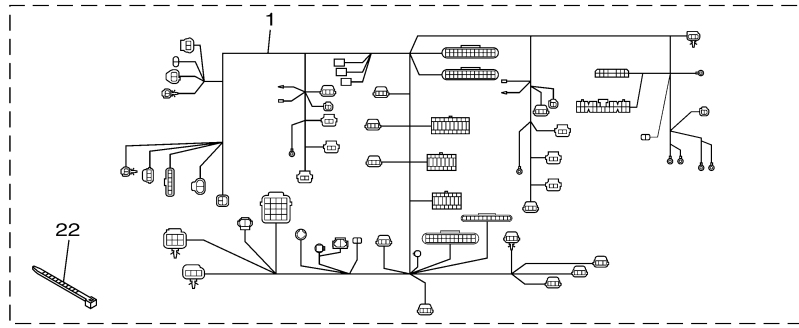
| PART NUMBER  | NOTE TEXT   |
|--|---|
| 90480-12314-00  | OEM: See Remarks Column: GROMMET used on F115TLR and F/LF115TXR 0510 Production and Later |



## Part List

LF300XCA\_0112 / ELECTRICAL 3

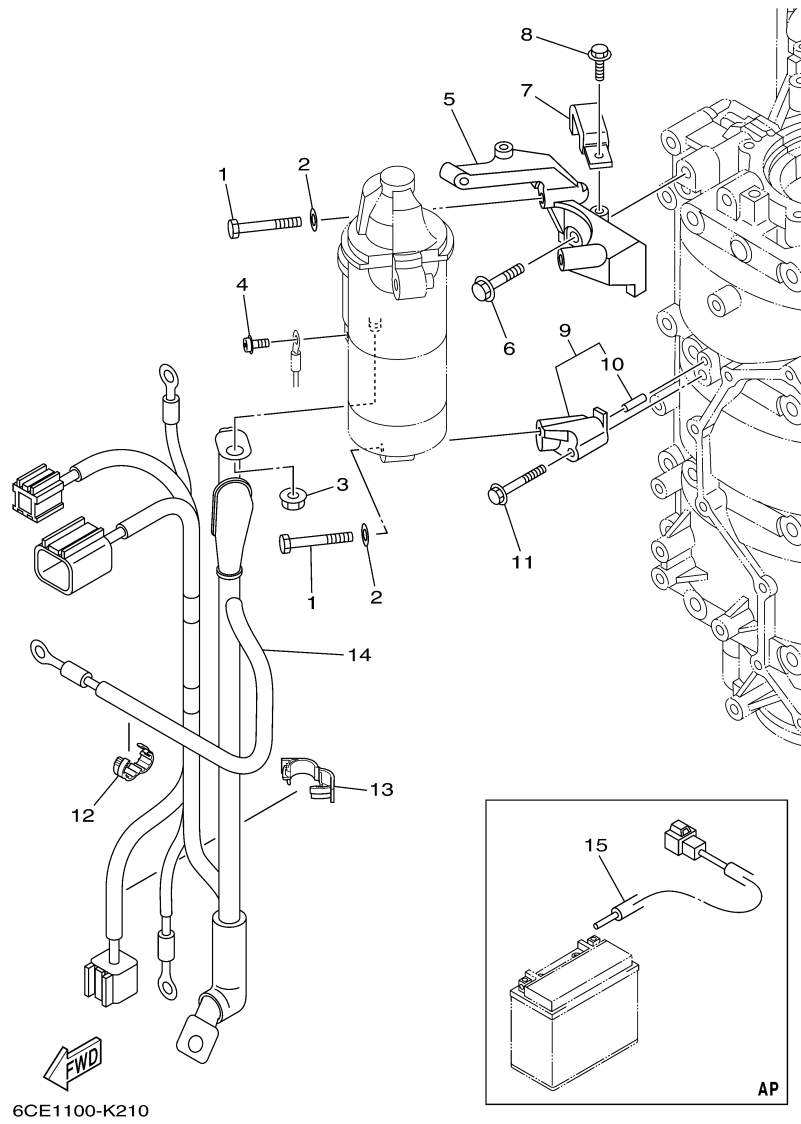
| REF<br>-<br>NO | PART<br>NUMBER  | PART NAME             | QUANTITY | REMARKS |
|----------------|-----------------|-----------------------|----------|---------|
| 1              | 6P2-81925-01-00 | TERMINAL              | 1        |         |
| 2              | 95895-08016-00  | BOLT, FLANGE          | 1        |         |
| 3              | 95814-08020-00  | BOLT, FLANGE          | 1        |         |
| 4              | 6CB-81929-00-00 | BRACKET, TERMINAL     | 1        |         |
| 5              | 95895-06020-00  | BOLT, FLANGE          | 2        |         |
| 6              | 6CE-82588-00-00 | PLATE                 | 1        |         |
| 7              | 95895-06016-00  | BOLT, FLANGE          | 2        |         |
| 8              | 6CB-81948-01-00 | BRACKET               | 1        |         |
| 9              | 64J-85516-00-00 | SPACER                | 5        |         |
| 10             | 69M-42758-01-00 | COLLAR                | 5        |         |
| 11             | 90119-06M56-00  | BOLT, WITH WASHER     | 5        |         |
| 12             | 90464-13249-00  | CLAMP                 | 1        |         |
| 13             | 90464-12183-00  | CLAMP                 | 2        |         |
| 14             | 90464-20181-00  | CLAMP                 | 2        |         |
| 15             | 6AW-81950-00-00 | RELAY ASSY            | 1        |         |
| 16             | 97595-06610-00  | BOLT, WITH WASHER     | 2        |         |
| 17             | 97013-06020-00  | BOLT                  | 2        |         |
| 18             | 92903-06600-00  | WASHER, PLATE         | 2        |         |
| 19             | 6P2-8183X-00-00 | CAP, TERMINAL         | 2        |         |
| 20             | 90446-15003-00  | HOSE (L100)           | 1        |         |
| 21             | 6CE-82170-00-00 | FUSE BOX ASSY         | 1        |         |
| 22             | 6CE-82151-00-00 | .FUSE (100A)          | 3        |         |
| 23             | 68F-8195A-00-00 | .RELAY ASSY           | 5        |         |
| 24             | 67F-82151-40-00 | .FUSE (10A)           | 3        |         |
| 25             | 67F-82151-50-00 | .FUSE (15A)           | 3        |         |
| 26             | 67F-82151-00-00 | .FUSE (20A)           | 2        |         |
| 27             | 67F-82151-10-00 | .FUSE (30A)           | 3        |         |
| 28             | 6CB-81639-00-00 | .COVER                | 1        |         |
| 29             | 6CB-85544-00-00 | .CASE                 | 1        |         |
| 30             | 68F-82846-00-00 | .SCREW, PAN HEAD (M5) | 4        |         |
| 31             | 6P2-82113-00-00 | .SCREW                | 13       |         |
| 32             | 67F-2812A-00-00 | .PULLER, FUSE         | 1        |         |
| 33             | 97780-50620-00  | SCREW, TAPPING        | 4        |         |
| 34             | 6P2-81336-00-00 | GROMMET               | 1        |         |
| 35             | 97095-06016-00  | BOLT                  | 5        |         |
| 36             | 92995-06600-00  | WASHER                | 5        |         |
| 37             | 6CE-81919-20-00 | GRAPHIC, REGULATOR    | 1        |         |
| 38             | 6CB-81923-00-00 | WASHER                | 1        | AP      |
| 39             | 95895-08016-00  | BOLT, FLANGE          | 1        | AP      |
| 40             | 95895-08016-00  | BOLT, FLANGE          | 1        | AP      |
| 41             | 6CB-82105-00-00 | WIRE HARNESS          | 1        | AP      |



## Part List

LF300XCA\_0112 / ELECTRICAL 4

| REF<br>-<br>NO | PART<br>NUMBER  | PART NAME               | QUANTITY | REMARKS          |
|----------------|-----------------|-------------------------|----------|------------------|
| 1              | 6CE-82590-10-00 | WIRE HARNESS ASSY       | 1        | FOR TILT LIMIT   |
| 2              | 90464-20181-00  | CLAMP                   | 4        |                  |
| 3              | 6CB-82594-00-00 | CLAMP                   | 1        |                  |
| 4              | 95895-06012-00  | BOLT, FLANGE            | 2        |                  |
| 5              | 90464-06001-00  | CLAMP                   | 1        |                  |
| 6              | 90465-13M24-00  | CLAMP                   | 1        |                  |
| 7              | 6CB-82589-01-00 | PROTECTOR, WIRE HARNESS | 1        | UR 6CF:1002601 - |
| 7              | 6CB-82589-00-00 | PROTECTOR, WIRE HARNESS | 1        |                  |
| 8              | 6BG-42617-00-00 | DAMPER, FORM            | 1        |                  |
| 9              | 6CB-42617-00-00 | DAMPER, FORM            | 1        |                  |
| 10             | 6CB-42629-00-00 | SEAL                    | 1        |                  |
| 11             | 95895-06020-00  | BOLT, FLANGE            | 5        |                  |
| 12             | 90464-11121-00  | CLAMP                   | 1        |                  |
| 13             | 90464-18246-00  | CLAMP                   | 1        |                  |
| 14             | 90464-12183-00  | CLAMP                   | 4        |                  |
| 15             | 90464-20181-00  | CLAMP                   | 2        |                  |
| 16             | 6CB-82388-00-00 | PLATE                   | 1        |                  |
| 17             | 95895-06016-00  | BOLT, FLANGE            | 2        |                  |
| 18             | 6CB-85790-00-00 | THERMOSENSOR ASSY       | 1        |                  |
| 19             | 6P2-82560-01-00 | THERMO SWITCH ASSY      | 2        |                  |
| 20             | 6E9-82588-00-00 | PLATE                   | 2        |                  |
| 21             | 95895-06012-00  | BOLT, FLANGE            | 2        |                  |
| 22             | 90465-14M66-00  | CLAMP                   | 1        |                  |
| 23             | 6AW-83651-00-00 | SENDER, OIL PRESSURE    | 1        |                  |
| 24             | 6BR-82563-00-00 | TRIM & TILT SWITCH ASSY | 1        |                  |
| 25             | 69J-42723-01-00 | COVER, BOTTOM           | 1        |                  |
| 26             | 69J-82587-00-00 | GASKET                  | 2        |                  |
| 27             | 63P-83614-01-00 | BRACKET                 | 1        |                  |
| 28             | 63P-83614-01-00 | BRACKET                 | 1        |                  |
| 29             | 95895-06012-00  | BOLT, FLANGE            | 4        |                  |
| 30             | 63P-85886-00-00 | SENSOR, AIR TEMPERATURE | 1        |                  |
| 31             | 63P-14435-00-00 | GROMMET                 | 1        |                  |
| 32             | 90464-09129-00  | CLAMP                   | 2        |                  |
| 33             | 6CB-81952-00-00 | HOLDER, RELAY           | 1        |                  |
| 34             | 95895-06016-00  | BOLT, FLANGE            | 1        |                  |

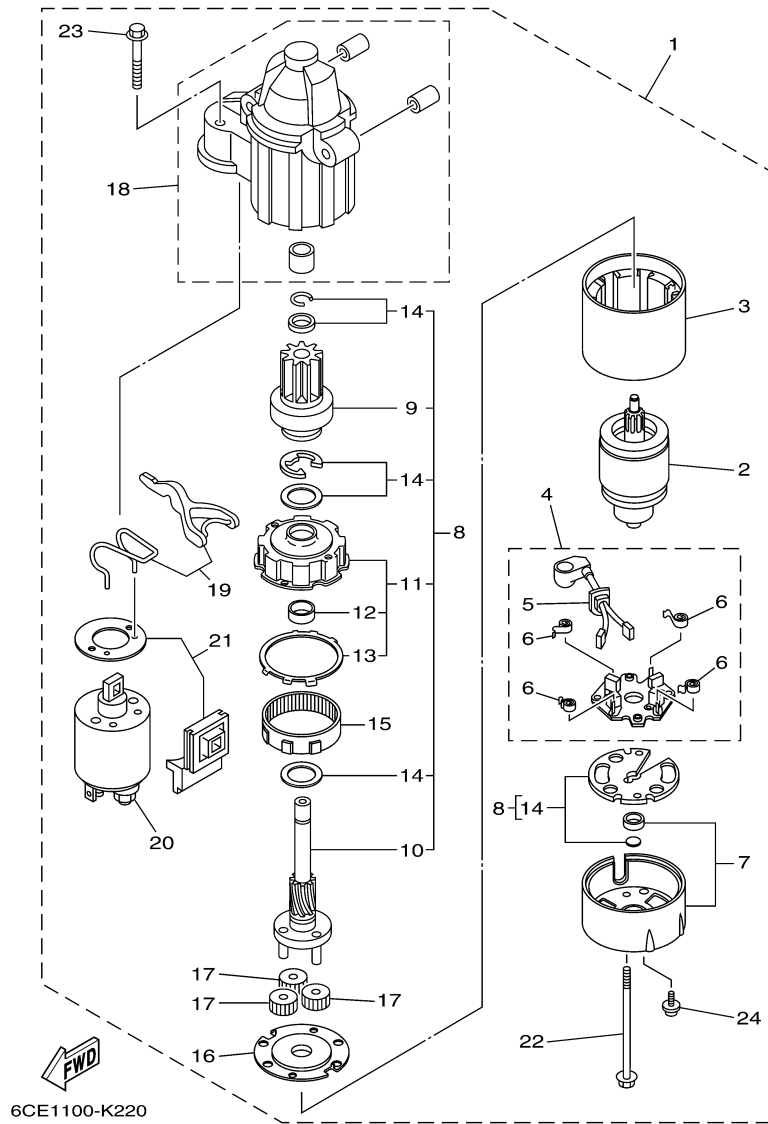


6CE1100-K210

## Part List

LF300XCA\_0112 / ELECTRICAL 5

| REF<br>-<br>NO | PART<br>NUMBER  | PART NAME                      | QUANTITY | REMARKS |
|----------------|-----------------|--------------------------------|----------|---------|
| 1              | 97013-08045-00  | BOLT                           | 3        |         |
| 2              | 92903-08600-00  | WASHER, PLATE                  | 3        |         |
| 3              | 90179-08003-00  | NUT                            | 1        |         |
| 4              | 90159-04005-00  | SCREW, WITH WASHER             | 1        |         |
| 5              | 6CB-81822-01-00 | BRACKET, STARTING MOTOR        | 1        |         |
| 6              | 90105-08M87-00  | BOLT, FLANGE                   | 2        |         |
| 7              | 6CB-81443-00-00 | CLAMP, LEAD 1                  | 1        |         |
| 8              | 95895-06016-00  | BOLT, FLANGE                   | 1        |         |
| 9              | 6CB-81823-00-00 | STAY, STARTING MOTOR           | 1        |         |
| 10             | 93606-12019-00  | .PIN, DOWEL                    | 1        |         |
| 11             | 90105-06151-00  | BOLT, FLANGE                   | 1        |         |
| 12             | 90464-13227-00  | CLAMP                          | 1        |         |
| 13             | 90464-18004-00  | CLAMP                          | 1        |         |
| 14             | 6CE-8259M-00-00 | WIRE HARNESS ASSY 2            | 1        |         |
| 15             | 6CE-81949-00-00 | WIRE, LEAD (ISOLATOR<br>CABLE) | 1        | AP      |

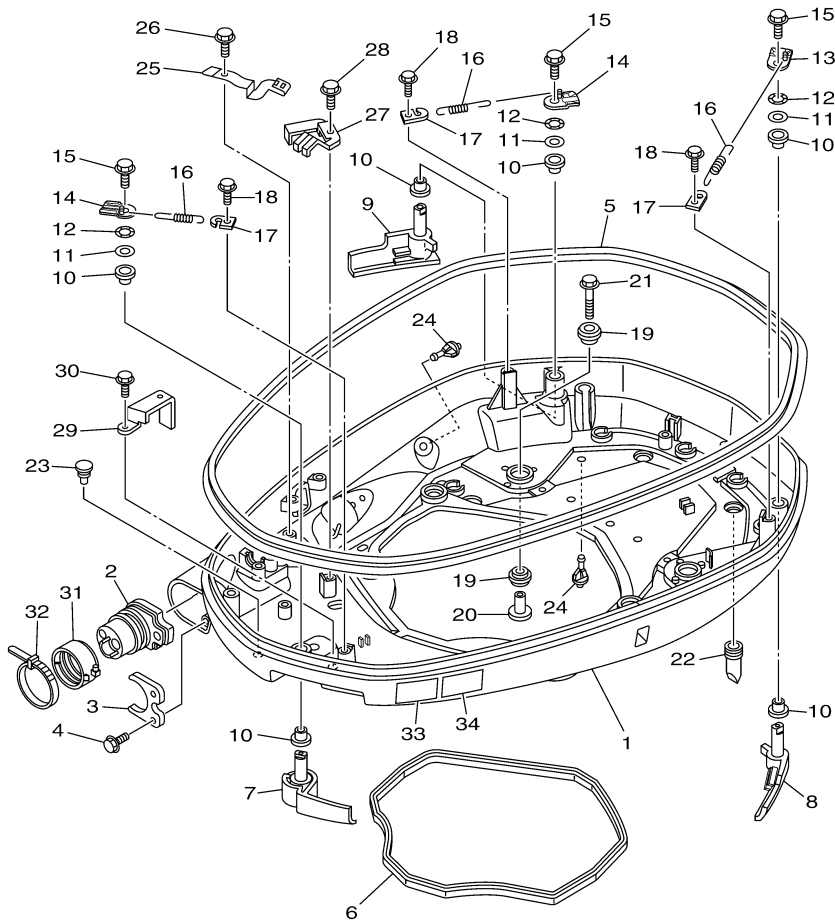




## Part List

LF300XCA\_0112 / STARTING MOTOR

| REF<br>-<br>NO | PART<br>NUMBER  | PART NAME                     | QUANTITY | REMARKS           |
|----------------|-----------------|-------------------------------|----------|-------------------|
| 1              | 6CE-81800-00-00 | STARTING MOTOR ASSY           | 1        |                   |
| 2              | 6CE-81850-00-00 | .ARMATURE ASSY                | 1        |                   |
| 3              | 6CE-81810-00-00 | .STATOR ASSY                  | 1        |                   |
| 4              | 6CE-81840-00-00 | .BRUSH HOLDER ASSY            | 1        |                   |
| 5              | 6CE-81801-00-00 | ..BRUSH SET                   | 1        |                   |
| 6              | 67F-81813-00-00 | ..SPRING, BRUSH               | 4        |                   |
| 7              | 6CE-81820-00-00 | .REAR BRACKET ASSY            | 1        |                   |
| 8              | 6CE-81807-00-00 | .GEAR ASSY, STARTING<br>MOTOR | 1        |                   |
| 9              | 6CB-81832-00-00 | ..CLUTCH, OVER RUN            | 1        |                   |
| 10             | 6CB-81836-00-00 | ..SHAFT, PINION               | 1        |                   |
| 11             | 6CE-81821-00-00 | ..BRACKET, CENTER 1           | 1        |                   |
| 12             | 67F-81841-00-00 | ...BEARING                    | 1        |                   |
| 13             | 67F-8183R-00-00 | ...GASKET                     | 1        |                   |
| 14             | 6CB-81809-00-00 | ..WASHER KIT                  | 1        |                   |
| 15             | 67F-81891-00-00 | .GEAR, RING                   | 1        | WITH 67F-8183R-00 |
| 16             | 6CE-81830-00-00 | .BRACKET, CENTER 2            | 1        |                   |
| 17             | 60V-8183T-00-00 | .GEAR, IDLER                  | 3        |                   |
| 18             | 6CE-81842-00-00 | .COVER                        | 1        |                   |
| 19             | 6CE-81839-00-00 | .LEVER ASSY                   | 1        |                   |
| 20             | 6C5-81941-00-00 | .STARTER RELAY ASSY           | 1        |                   |
| 21             | 6CE-81869-00-00 | .COVER, DUST                  | 1        |                   |
| 22             | 6CB-81826-00-00 | .BOLT                         | 2        |                   |
| 23             | 69J-81828-00-00 | .SCREW 2                      | 2        |                   |
| 24             | 67F-81846-00-00 | .SCREW                        | 2        |                   |

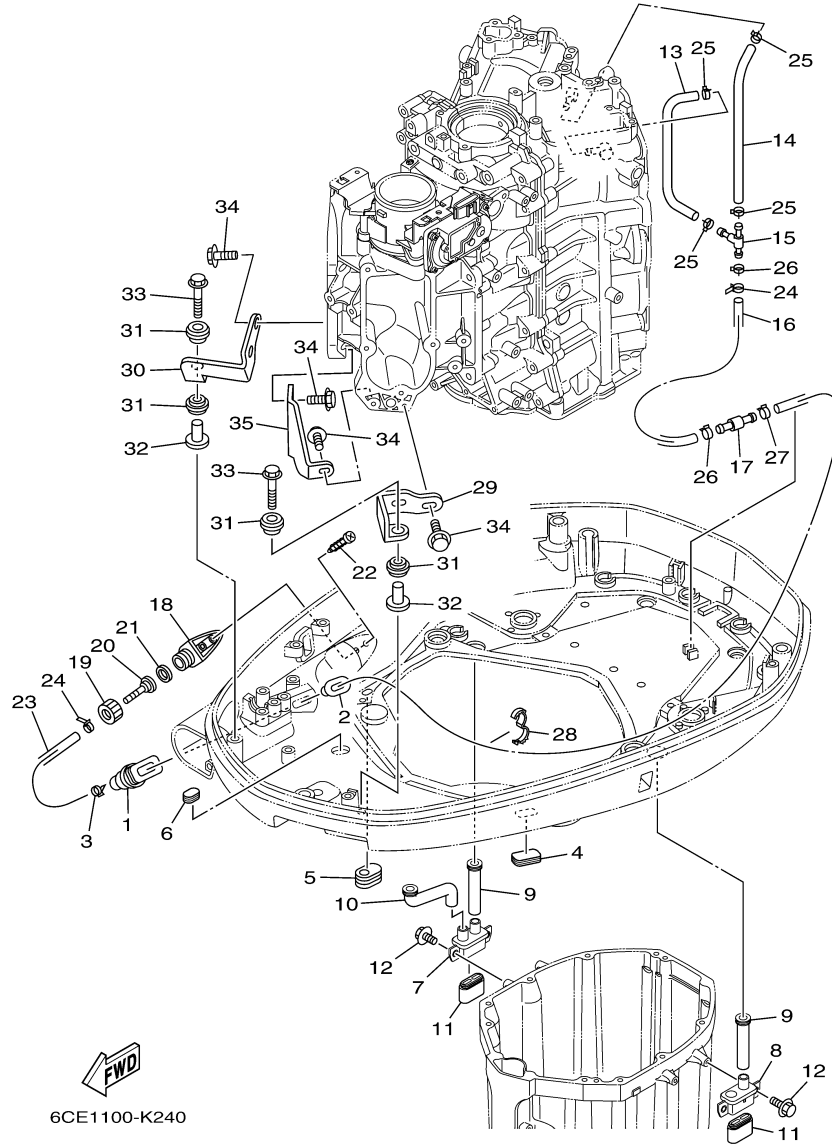


  
6CL3100-L230

## Part List

LF300XCA\_0112 / BOTTOM COWLING 1

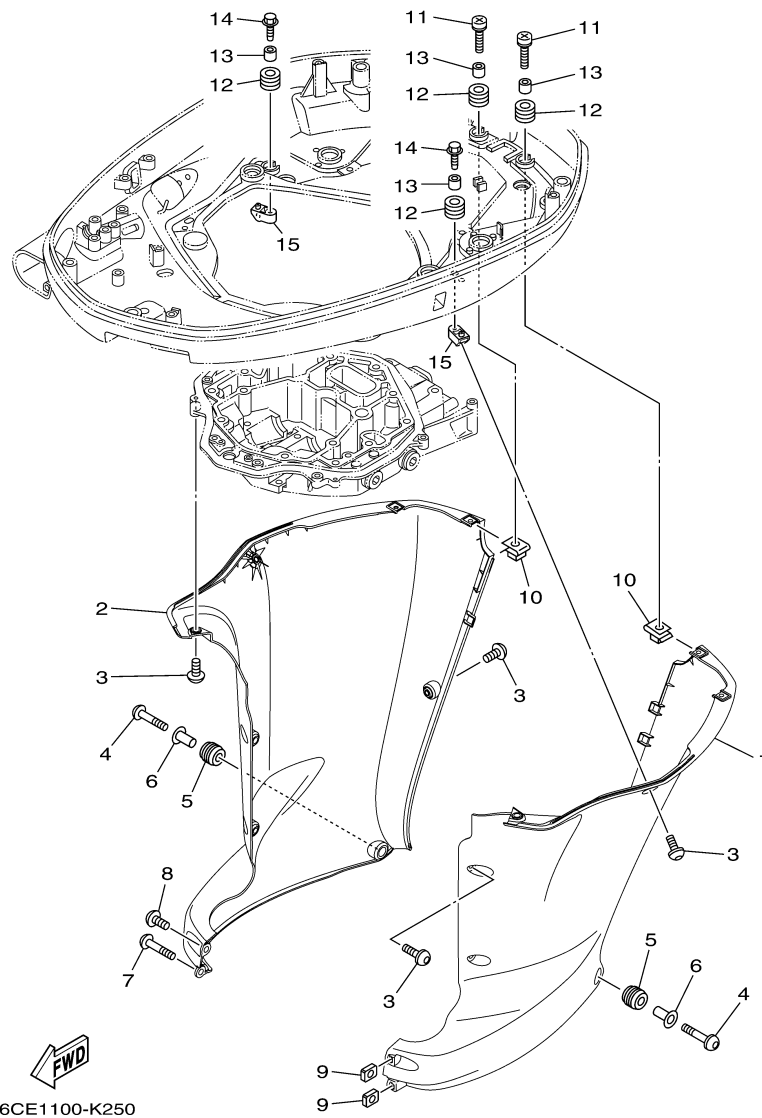
| REF<br>-<br>NO | PART<br>NUMBER  | PART NAME                | QUANTITY | REMARKS |
|----------------|-----------------|--------------------------|----------|---------|
| 1              | 6CB-42711-01-8D | COWLING, BOTTOM 1        | 1        |         |
| 2              | 6CE-42725-01-00 | GROMMET                  | 1        |         |
| 3              | 6CB-42761-00-00 | STOPPER                  | 1        |         |
| 4              | 95895-06014-00  | BOLT, FLANGE             | 2        |         |
| 5              | 6CB-42615-00-00 | SEAL                     | 1        |         |
| 6              | 6CB-42716-00-00 | RUBBER, SEAL 1           | 1        |         |
| 7              | 6CB-42815-01-8D | LEVER, CLAMP             | 1        |         |
| 8              | 6CB-42816-01-8D | LEVER, CLAMP             | 1        |         |
| 9              | 6CB-42817-01-8D | LEVER, CLAMP             | 1        |         |
| 10             | 90386-15M73-00  | BUSH                     | 6        |         |
| 11             | 90201-156J2-00  | WASHER, PLATE            | 3        |         |
| 12             | 90206-15M18-00  | WASHER, WAVE             | 3        |         |
| 13             | 6CB-42818-00-00 | LEVER, CLAMP             | 1        |         |
| 14             | 6CB-42819-00-00 | LEVER, CLAMP             | 2        |         |
| 15             | 95880-08012-00  | BOLT, FLANGE             | 3        |         |
| 16             | 90506-22001-00  | SPRING, TENSION          | 3        |         |
| 17             | 66T-43144-00-00 | HOOK, SPRING             | 3        |         |
| 18             | 95895-06012-00  | BOLT, FLANGE             | 3        |         |
| 19             | 90480-22M81-00  | GROMMET                  | 12       |         |
| 20             | 90387-08M37-00  | COLLAR                   | 6        |         |
| 21             | 90119-08M22-00  | BOLT, WITH WASHER        | 6        |         |
| 22             | 6D0-42717-00-00 | RUBBER, SEAL 2           | 2        |         |
| 23             | 6H4-42748-00-00 | GROMMET                  | 1        |         |
| 24             | 6P2-44391-00-00 | NIPPLE, HOSE             | 2        |         |
| 25             | 6CB-42743-00-00 | BRACKET                  | 1        |         |
| 26             | 95895-06012-00  | BOLT, FLANGE             | 1        |         |
| 27             | 6CB-42766-00-00 | BRACKET 2                | 1        |         |
| 28             | 95895-06012-00  | BOLT, FLANGE             | 1        |         |
| 29             | 6CB-42756-00-00 | STAY, CLAMP              | 1        |         |
| 30             | 95895-06012-00  | BOLT, FLANGE             | 1        |         |
| 31             | 68F-42753-00-00 | FASTNER                  | 1        | AP      |
| 32             | 90464-20258-00  | CLAMP                    | 1        | AP      |
| 33             | 6AH-42794-40-00 | LABEL, WARNING (GENERAL) | 1        |         |
| 34             | 6AH-42794-50-00 | LABEL, WARNING (GENERAL) | 1        |         |



## Part List

LF300XCA\_0112 / BOTTOM COWLING 2

| REF<br>-<br>NO | PART<br>NUMBER  | PART NAME          | QUANTITY | REMARKS |
|----------------|-----------------|--------------------|----------|---------|
| 1              | 6H1-42726-21-00 | GROMMET            | 1        |         |
| 2              | 6BG-42384-00-00 | SEAL, CAP          | 1        |         |
| 3              | 90465-11M10-00  | CLAMP              | 2        |         |
| 4              | 6H4-42726-00-00 | GROMMET            | 1        |         |
| 5              | 61A-42727-00-00 | GROMMET            | 1        |         |
| 6              | 64G-42727-00-00 | GROMMET            | 1        |         |
| 7              | 6CE-42733-00-00 | BOX, DRAIN         | 1        |         |
| 8              | 6CE-42734-00-00 | BOX, DRAIN 2       | 1        |         |
| 9              | 6CE-42786-00-00 | HOSE, DRAIN 1      | 2        |         |
| 10             | 6CE-42787-00-00 | HOSE, DRAIN 2      | 1        |         |
| 11             | 69J-42717-00-00 | RUBBER, SEAL 2     | 2        |         |
| 12             | 95895-06016-00  | BOLT, FLANGE       | 4        |         |
| 13             | 6CB-24315-00-00 | PIPE 5             | 1        |         |
| 14             | 90445-14021-00  | HOSE (L185)        | 1        |         |
| 15             | 6AW-42169-00-00 | JOINT              | 1        |         |
| 16             | 90445-16015-00  | HOSE (L300)        | 1        |         |
| 17             | 6AW-42785-00-00 | PIPE               | 1        |         |
| 18             | 6AW-12572-00-00 | ADAPTER            | 1        |         |
| 19             | 6R3-12581-00-00 | JOINT, HOSE 1      | 1        |         |
| 20             | 6AW-12582-00-00 | JOINT, HOSE 2      | 1        |         |
| 21             | 6R3-12583-00-00 | GASKET, HOSE JOINT | 1        |         |
| 22             | 97780-60520-00  | SCREW, TAPPING     | 2        |         |
| 23             | 90445-14019-00  | HOSE (L1460)       | 1        |         |
| 24             | 90465-11M10-00  | CLAMP              | 2        |         |
| 25             | 90467-130A5-00  | CLIP               | 4        |         |
| 26             | 90467-140A8-00  | CLIP               | 2        |         |
| 27             | 90467-140A9-00  | CLIP               | 1        |         |
| 28             | 90464-16001-00  | CLAMP              | 1        |         |
| 29             | 6CB-42643-00-00 | PLATE, CLAMP       | 1        |         |
| 30             | 6CB-42644-00-00 | PLATE, CLAMP 2     | 1        |         |
| 31             | 90480-14029-00  | GROMMET            | 4        |         |
| 32             | 90387-06M03-00  | COLLAR             | 2        |         |
| 33             | 90119-06M61-00  | BOLT, WITH WASHER  | 2        |         |
| 34             | 90105-06039-00  | BOLT, FLANGE       | 6        |         |
| 35             | 6CB-42744-00-00 | STAY               | 1        |         |




# Part List

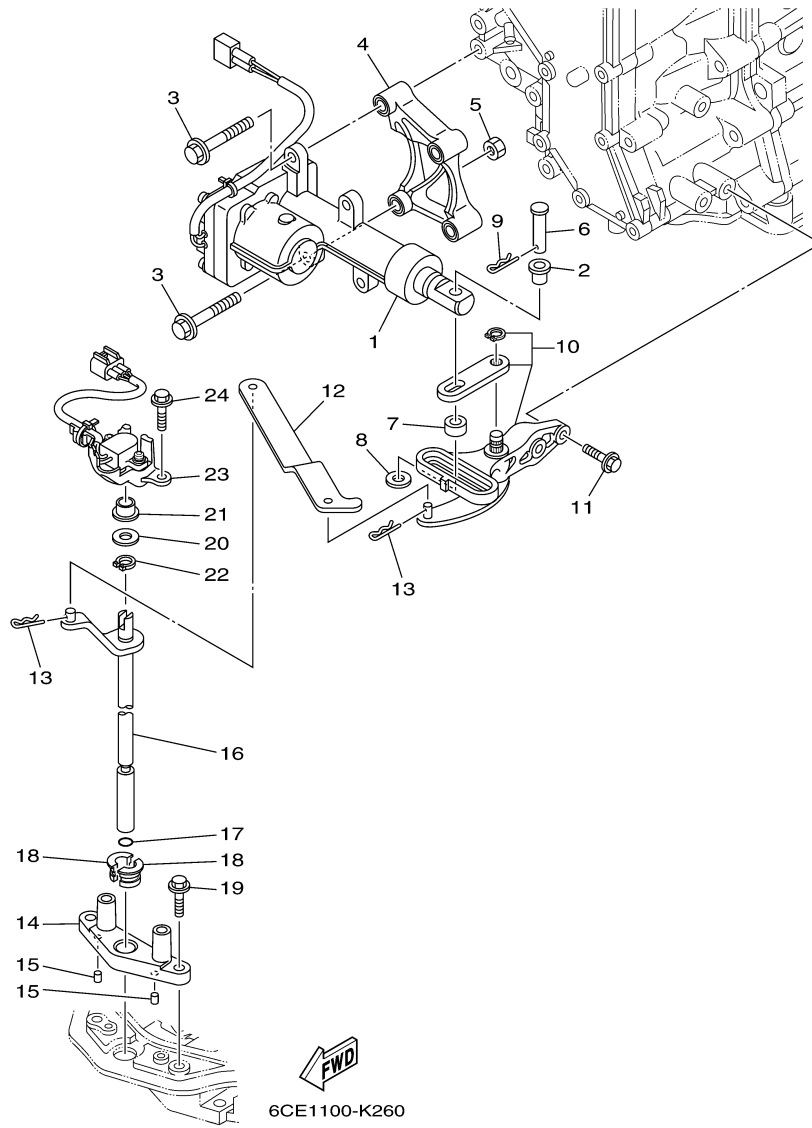
LF300XCA\_0112 / BOTTOM COWLING 3

| REF - NO | PART NUMBER     | PART NAME               | QUANTITY | REMARKS |
|----------|-----------------|-------------------------|----------|---------|
| 1        | 6CE-42741-01-8D | APRON                   | 1        |         |
| 2        | 6CE-42771-01-8D | APRON                   | 1        |         |
| 3        | 90111-06111-00  | BOLT,HEX. SOCKET BUTTON | 10       |         |
| 4        | 90111-06113-00  | BOLT,HEX. SOCKET BUTTON | 2        |         |
| 5        | 90480-16009-00  | GROMMET                 | 2        |         |
| 6        | 90387-07028-00  | COLLAR                  | 2        |         |
| 7        | 90111-06113-00  | BOLT,HEX. SOCKET BUTTON | 1        |         |
| 8        | 90111-06111-00  | BOLT,HEX. SOCKET BUTTON | 1        |         |
| 9        | 90173-06001-00  | NUT, SQUARE             | 2        |         |
| 10       | 90183-061A6-00  | NUT, SPRING             | 4        |         |
| 11       | 90159-06053-00  | SCREW, WITH WASHER      | 4        |         |
| 12       | 90480-13M24-00  | GROMMET                 | 6        |         |
| 13       | 90387-06M43-00  | COLLAR                  | 6        |         |
| 14       | 90109-06M80-00  | .BOLT                   | 2        |         |
| 15       | 6CE-42774-00-00 | STAY, APRON 1           | 2        |         |

# Part Notes

LF300XCA\_0112 / BOTTOM COWLING 3

| PART NUMBER  | NOTE TEXT   |
|--|---|
| 90173-06001-00  | OEM: This part number is among the Top 100 Most Popular Marine Maintenance Parts as of February 2013. |







# Part List

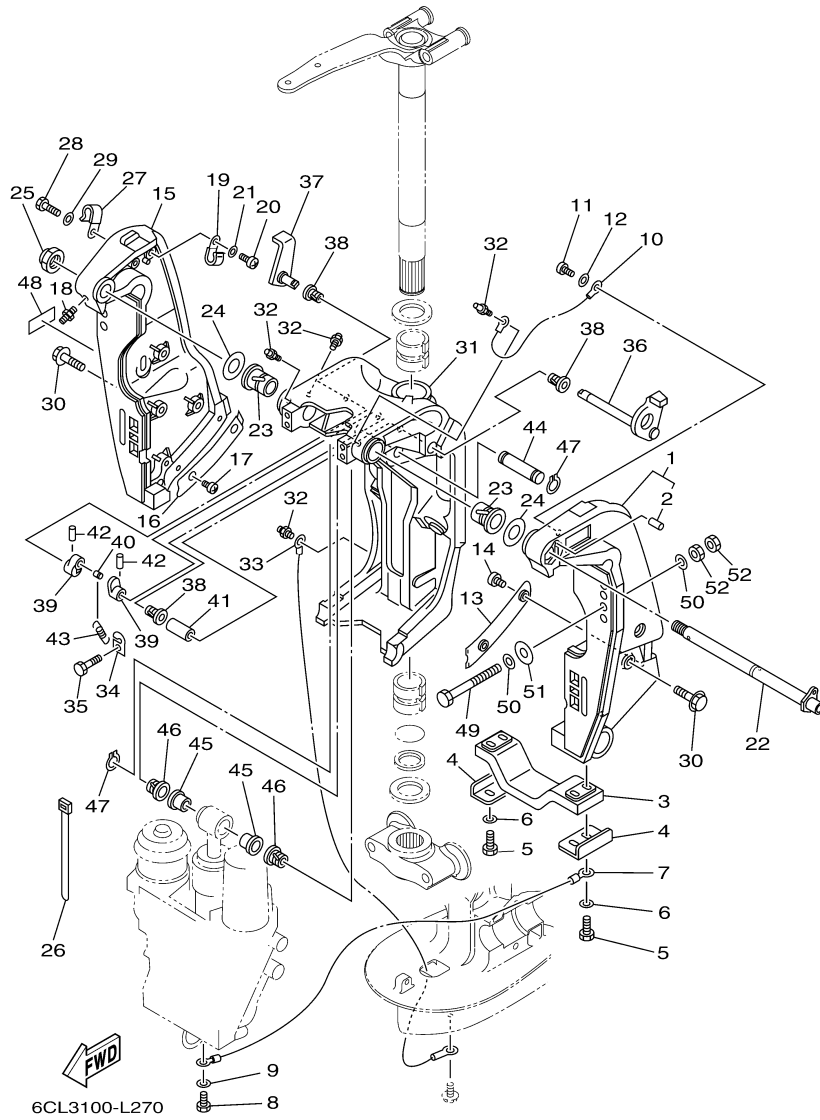
LF300XCA\_0112 / CONTROL

| REF - NO | PART NUMBER     | PART NAME                | QUANTITY | REMARKS  |
|----------|-----------------|--------------------------|----------|----------|
| 1        | 6CE-4820A-01-00 | ACTUATOR UNIT            | 1        |          |
| 2        | 90386-08008-00  | BUSH                     | 1        |          |
| 3        | 97575-08555-00  | BOLT, WITH WASHER        | 4        |          |
| 4        | 6CE-44142-10-00 | JOINT                    | 1        |          |
| 5        | 95380-08600-00  | NUT                      | 1        |          |
| 6        | 6CE-42195-00-00 | PIN, JOINT 1             | 1        |          |
| 7        | 6CE-44122-00-00 | BUSHING, SHIFT ROD LEVER | 1        |          |
| 8        | 90201-08M09-00  | WASHER, PLATE            | 1        |          |
| 9        | 90468-18008-00  | CLIP                     | 1        |          |
| 10       | 6CE-44100-00-00 | SHIFT LINK ASSY          | 1        |          |
| 11       | 97575-06525-00  | BOLT, WITH WASHER        | 2        |          |
| 12       | 6CE-44121-00-00 | LEVER, SHIFT ROD         | 1        |          |
| 13       | 90468-18008-00  | CLIP                     | 2        |          |
| 14       | 6CE-44118-00-94 | BRACKET                  | 1        |          |
| 15       | 93604-07M13-00  | PIN, DOWEL               | 2        |          |
| 16       | 6CE-44120-00-00 | HANDLE GEAR SHIFT ASSY   | 1        | X(25.3") |
| 17       | 93210-09165-00  | O-RING                   | 1        |          |
| 18       | 90386-11001-00  | BUSH                     | 2        |          |
| 19       | 95875-06025-00  | BOLT, FLANGE             | 2        |          |
| 20       | 90201-11008-00  | WASHER, PLATE            | 1        |          |
| 21       | 90386-10001-00  | BUSH                     | 1        |          |
| 22       | 93410-10082-00  | CIRCLIP                  | 1        |          |
| 23       | 6CE-68303-00-00 | SENSOR ASSY              | 1        |          |
| 24       | 95875-06025-00  | BOLT, FLANGE             | 2        |          |

# Part Notes

LF300XCA\_0112 / CONTROL

| PART NUMBER    |   | NOTE TEXT   |
|----------------|---|---|
| 90468-18008-00 |  | OEM: This part number is among the Top 100 Most Popular Marine Maintenance Parts as of February 2013. |
| 90468-18008-00 |  | OEM: This part number is among the Top 100 Most Popular Marine Maintenance Parts as of February 2013. |






## Part List

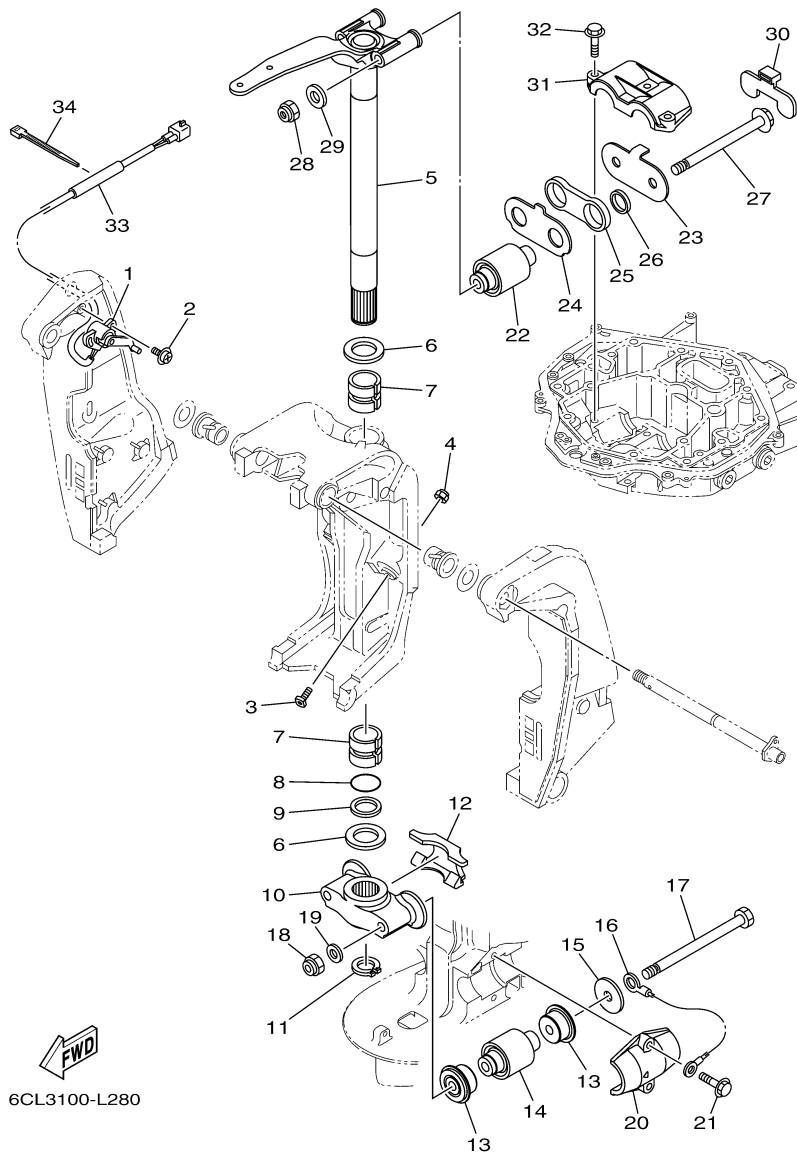
LF300XCA\_0112 / BRACKET 1

| REF - NO | PART NUMBER     | PART NAME              | QUANTITY | REMARKS        |
|----------|-----------------|------------------------|----------|----------------|
| 1        | 69J-43111-10-8D | BRACKET, CLAMP 1       | 1        | FOR TILT LIMIT |
| 2        | 93606-19002-00  | .PIN, DOWEL            | 1        |                |
| 3        | 6G5-45251-02-00 | ANODE                  | 1        |                |
| 4        | 6G5-44526-00-00 | PLATE                  | 2        |                |
| 5        | 97095-06025-00  | BOLT                   | 4        |                |
| 6        | 92995-06600-00  | WASHER                 | 4        |                |
| 7        | 6H1-82148-00-00 | WIRE, LEAD 4           | 1        |                |
| 8        | 97095-06010-00  | BOLT                   | 1        |                |
| 9        | 92995-06600-00  | WASHER                 | 1        |                |
| 10       | 6E5-82148-00-00 | WIRE, LEAD 4           | 1        |                |
| 11       | 97885-06012-00  | SCREW, PAN HEAD        | 1        |                |
| 12       | 92995-06600-00  | WASHER                 | 1        |                |
| 13       | 61A-43132-00-00 | WASHER, FRICTION       | 1        |                |
| 14       | 97885-06010-00  | SCREW, PAN HEAD        | 2        |                |
| 15       | 69J-43112-01-8D | BRACKET, CLAMP 2       | 1        |                |
| 16       | 61A-43133-00-00 | WASHER,FRICTION        | 1        |                |
| 17       | 97885-06010-00  | SCREW, PAN HEAD        | 2        |                |
| 18       | 93700-06M03-00  | NIPPLE, GREASE         | 1        |                |
| 19       | 90465-08M83-00  | CLAMP                  | 1        |                |
| 20       | 97885-06012-00  | SCREW, PAN HEAD        | 1        |                |
| 21       | 92995-06600-00  | WASHER                 | 1        |                |
| 22       | 6R3-43131-30-00 | BOLT, CLAMP BRACKET    | 1        | FOR TILT LIMIT |
| 23       | 90386-25M31-00  | BUSH                   | 2        |                |
| 24       | 90201-26M59-00  | WASHER, PLATE          | 2        |                |
| 25       | 90185-22M11-00  | NUT, SELF-LOCKING      | 1        |                |
| 26       | 90465-11M10-00  | CLAMP                  | 4        |                |
| 27       | 90465-08M83-00  | CLAMP                  | 1        |                |
| 28       | 97095-06014-00  | BOLT                   | 1        |                |
| 29       | 92995-06600-00  | WASHER                 | 1        |                |
| 30       | 90119-10024-00  | BOLT, WITH WASHER      | 8        |                |
| 31       | 61A-43311-40-8D | BRACKET, SWIVEL 1      | 1        |                |
| 32       | 93700-06M03-00  | NIPPLE, GREASE         | 5        |                |
| 33       | 69J-82147-00-00 | WIRE, LEAD 5           | 1        |                |
| 34       | 6G5-43144-00-00 | HOOK, SPRING           | 1        |                |
| 35       | 97095-06010-00  | BOLT                   | 1        |                |
| 36       | 61A-43181-01-00 | LEVER, TILT STOP 1     | 1        |                |
| 37       | 6G5-43185-02-00 | LEVER, TILT STOP 2     | 1        |                |
| 38       | 90386-10M16-00  | BUSH                   | 3        |                |
| 39       | 6G5-43148-00-00 | COLLAR, DISTANCE       | 2        |                |
| 40       | 90249-06M19-00  | PIN                    | 1        |                |
| 41       | 90387-10M05-00  | COLLAR                 | 1        |                |
| 42       | 91690-30020-00  | PIN, SPRING            | 2        |                |
| 43       | 90506-16003-00  | SPRING, TENSION        | 1        |                |
| 44       | 6E5-43126-10-00 | PIN, UPPER SHOCK MOUNT | 1        |                |
| 45       | 90386-18M63-00  | BUSH                   | 2        |                |
| 46       | 90386-18M14-00  | BUSH                   | 2        |                |
| 47       | 93410-18M05-00  | CIRCLIP                | 2        |                |
| 48       | 63V-82377-50-00 | LABEL (SPARK,IGNITION) | 1        |                |
| 49       | 90101-12M77-00  | BOLT (L:150MM)         | 2        | UR             |
| 49       | 90101-12M05-00  | BOLT (L:130MM)         | 4        | UR             |
| 50       | 90201-13M01-00  | WASHER, PLATE          | 8        |                |
| 51       | 90201-12426-00  | WASHER, PLATE          | 4        |                |

## Part Notes

LF300XCA\_0112 / BRACKET 1

| PART NUMBER     |   | NOTE TEXT   |
|-----------------|---|---|
| 6G5-45251-02-00 |  | OEM: This part number is among the Top 100 Most Popular Marine Maintenance Parts as of February 2013. |
| 93700-06M03-00  |  | OEM: This part number is among the Top 100 Most Popular Marine Maintenance Parts as of February 2013. |
| 93700-06M03-00  |  | OEM: This part number is among the Top 100 Most Popular Marine Maintenance Parts as of February 2013. |

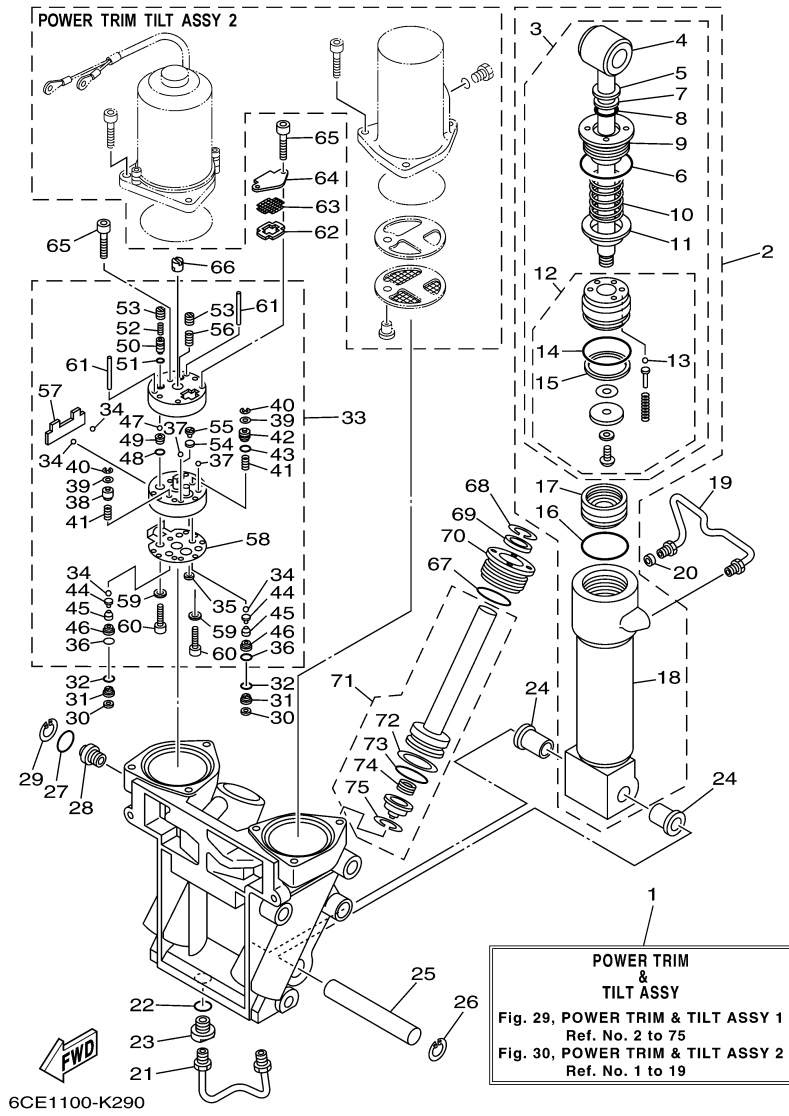


6CL3100-L280

## Part List

LF300XCA\_0112 / BRACKET 2

| REF<br>-<br>NO | PART<br>NUMBER  | PART NAME                        | QUANTITY | REMARKS |
|----------------|-----------------|----------------------------------|----------|---------|
| 1              | 69J-83672-11-00 | TRIM SENDER                      | 1        |         |
| 2              | 97985-06216-00  | SCREW, WITH WASHER               | 2        |         |
| 3              | 61A-43376-00-00 | BOLT, THRUST RECEIVER            | 2        |         |
| 4              | 95780-10300-00  | NUT, FLANGE                      | 2        |         |
| 5              | 6CE-42510-00-8D | STEERING BRACKET ASSY            | 1        |         |
| 6              | 90201-40M00-00  | WASHER, PLATE                    | 2        |         |
| 7              | 90386-39M89-00  | BUSH                             | 2        |         |
| 8              | 93210-35321-00  | O-RING                           | 1        |         |
| 9              | 90202-40M47-00  | WASHER, PLATE                    | 1        |         |
| 10             | 6CE-44551-00-CA | HOUSING, LOWER MOUNT<br>RUBBER 1 | 1        |         |
| 11             | 93410-37M04-00  | CIRCLIP                          | 1        |         |
| 12             | 6CE-44574-00-00 | STOPPER, LOWER MOUNT<br>RUBBER   | 1        |         |
| 13             | 6CE-44575-00-94 | DAMPER, LOWER MOUNT<br>RUBBER    | 4        |         |
| 14             | 6CE-44555-00-94 | MOUNT DAMPER, LOWER<br>SIDE      | 2        |         |
| 15             | 90201-16032-00  | WASHER, PLATE                    | 2        |         |
| 16             | 6AW-82149-00-00 | WIRE, LEAD 3                     | 1        |         |
| 17             | 90101-14004-00  | BOLT                             | 2        |         |
| 18             | 90185-14M00-00  | NUT, SELF-LOCKING                | 2        |         |
| 19             | 92995-14600-00  | WASHER                           | 2        |         |
| 20             | 6CE-44552-00-CA | HOUSING, LOWER MOUNT<br>RUBBER 2 | 2        |         |
| 21             | 90119-10024-00  | BOLT, WITH WASHER                | 4        |         |
| 22             | 6CE-44514-00-94 | MOUNT DAMPER, UPPER<br>SIDE      | 2        |         |
| 23             | 6CE-44526-00-00 | PLATE                            | 1        |         |
| 24             | 6CE-44536-00-00 | PLATE 2                          | 1        |         |
| 25             | 6CE-44532-00-00 | STOPPER, UPPER MOUNT             | 1        |         |
| 26             | 90387-28013-00  | COLLAR                           | 2        |         |
| 27             | 90105-14005-00  | BOLT, FLANGE                     | 2        |         |
| 28             | 90185-14M00-00  | NUT, SELF-LOCKING                | 2        |         |
| 29             | 92995-14600-00  | WASHER                           | 2        |         |
| 30             | 6CE-44533-00-00 | DAMPER, UPPER MOUNT<br>RUBBER    | 1        |         |
| 31             | 6CE-44511-00-94 | COVER, UPPER MOUNT               | 1        |         |
| 32             | 90119-10024-00  | BOLT, WITH WASHER                | 3        |         |
| 33             | 90446-15003-00  | HOSE (L100)                      | 1        |         |
| 34             | 90465-11M10-00  | CLAMP                            | 1        |         |



## Part List

LF300XCA\_0112 / POWER TRIM TILT ASSY 1




| REF<br>-<br>NO | PART<br>NUMBER  | PART NAME               | QUANTITY | REMARKS |
|----------------|-----------------|-------------------------|----------|---------|
| 1              | 69J-43800-04-8D | POWER TRIM & TILT ASSY  | 1        |         |
| 2              | 6CE-43840-00-00 | POWER TILT ASSY         | 1        |         |
| 3              | 6CE-43810-00-00 | .TILT PISTON SUB ASSY   | 1        |         |
| 4              | 69J-43801-01-00 | ..ROD                   | 1        |         |
| 5              | 93106-19N50-00  | ..OIL SEAL              | 1        |         |
| 6              | 6H1-43861-00-00 | ..O-RING                | 1        |         |
| 7              | 6H1-43872-00-00 | ..RING, BACK UP         | 1        |         |
| 8              | 61A-4389H-01-00 | ..O-RING                | 1        |         |
| 9              | 61A-43811-00-00 | ..SCREW, CYLINDER END   | 1        |         |
| 10             | 69J-4384H-00-00 | ..SPRING                | 1        |         |
| 11             | 69J-4382E-00-00 | ..ADAPTOR 2             | 1        |         |
| 12             | 6CE-4380P-00-00 | ..PISTON SUB ASSY       | 1        |         |
| 13             | 93505-32038-00  | ...BALL                 | 5        |         |
| 14             | 61A-43861-00-00 | ...O-RING               | 1        |         |
| 15             | 61A-43871-00-00 | ...RING, BACK UP        | 1        |         |
| 16             | 61A-43861-00-00 | .O-RING                 | 1        |         |
| 17             | 6H1-43814-00-00 | .PISTON, FREE           | 1        |         |
| 18             | 61A-43813-01-00 | .CYLINDER, TILT         | 1        |         |
| 19             | 61A-43835-01-00 | PIPE                    | 1        |         |
| 20             | 69J-4388J-00-00 | PLUG 2                  | 1        |         |
| 21             | 69J-43833-00-00 | PIPE                    | 1        |         |
| 22             | 93210-17239-00  | O-RING                  | 1        |         |
| 23             | 69J-4388E-01-00 | BOLT ,SCREW             | 1        |         |
| 24             | 90386-18M14-00  | BUSH                    | 2        |         |
| 25             | 61A-43818-00-00 | PIN, LOWER SHOCK MOUNT  | 1        |         |
| 26             | 61A-43876-00-00 | RING, SNAP              | 1        |         |
| 27             | 6D8-43863-00-00 | O-RING                  | 1        |         |
| 28             | 69J-43845-00-00 | SCREW, MANUAL RELEASE   | 1        |         |
| 29             | 6H1-43875-00-00 | RING, SNAP              | 1        |         |
| 30             | 69J-4381C-00-00 | .FILTER 3               | 2        |         |
| 31             | 69J-43899-01-00 | PLATE STOPPER           | 2        |         |
| 32             | 69J-4389J-00-00 | .O-RING                 | 2        |         |
| 33             | 69J-43830-01-00 | GEAR PUMP ASSY          | 1        |         |
| 34             | 93505-32038-00  | .BALL                   | 4        |         |
| 35             | 69J-4381C-00-00 | .FILTER 3               | 1        |         |
| 36             | 69J-4389J-00-00 | .O-RING                 | 2        |         |
| 37             | 93503-16003-00  | .BALL                   | 2        |         |
| 38             | 6CJ-4384M-00-00 | .PISTON, SHUTTLE 2      | 1        |         |
| 39             | 69A-4384F-00-00 | .SEAL, MAIN VALVE       | 2        |         |
| 40             | 99002-03600-00  | .CLIP                   | 2        |         |
| 41             | 69J-43894-00-00 | .SPRING, SHUTTLE RETURN | 2        |         |
| 42             | 6CJ-43841-00-00 | .PISTON, SHUTTLE        | 1        |         |
| 43             | 6H1-43883-00-00 | .O-RING                 | 1        |         |
| 44             | 60V-4386A-00-00 | .PIN, ABSORBER VALVE    | 2        |         |
| 45             | 69J-43853-00-00 | .SPRING, MAIN VALVE     | 2        |         |
| 46             | 6CJ-43893-00-00 | .WASHER                 | 2        |         |
| 47             | 93501-08001-00  | .BALL                   | 2        |         |
| 48             | 93210-08391-00  | .O-RING                 | 1        |         |
| 49             | 69J-43851-00-00 | .SEAT, RELIEF VALVE     | 1        |         |
| 50             | 6CJ-43844-00-00 | .PIN, VALVE SUPPORT     | 1        |         |
| 51             | 93210-064A5-00  | .O-RING                 | 1        |         |
| 52             | 69J-43855-00-00 | .SPRING, UP RELIEF      | 1        |         |

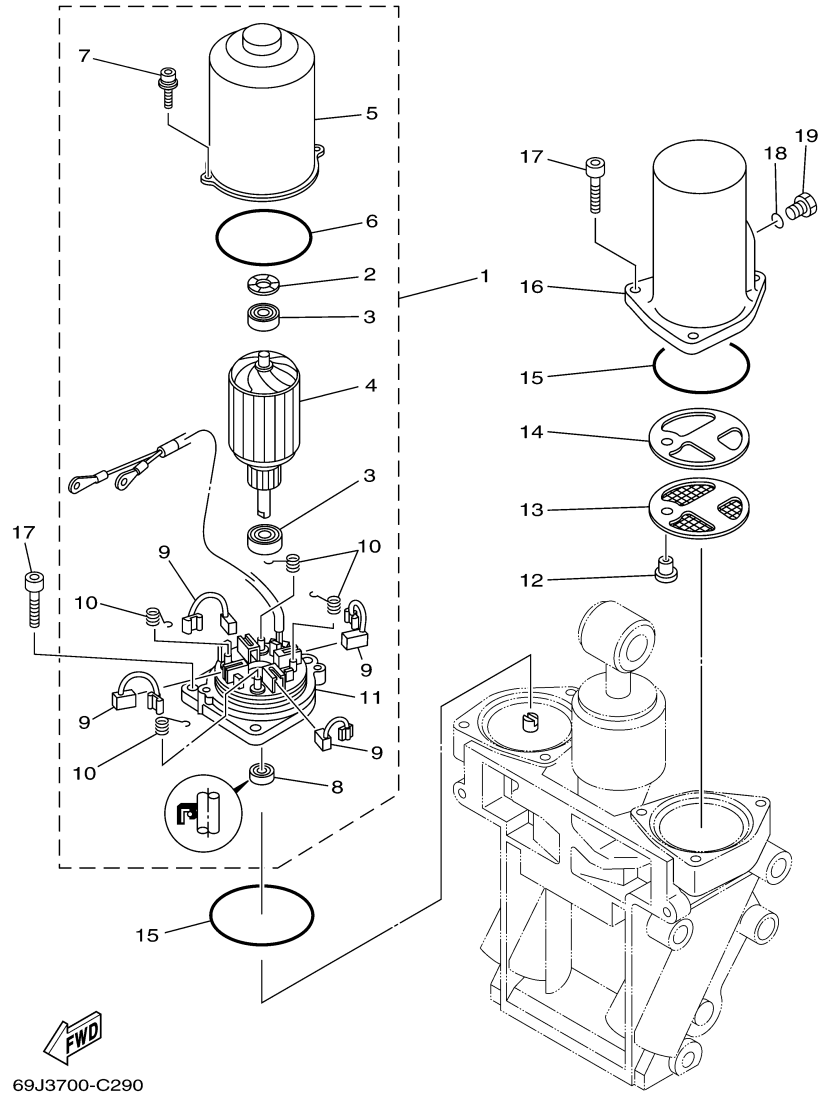


|    |                 |                          |   |  |
|----|-----------------|--------------------------|---|--|
| 53 | 6CJ-43843-00-00 | .SCREW, VALVE LOCK       | 2 |  |
| 54 | 6H1-4384G-11-00 | .SEAL, RELIEF VALVE      | 1 |  |
| 55 | 6H1-43844-10-00 | .PIN, VALVE SUPPORT      | 1 |  |
| 56 | 6H1-43856-10-00 | .SPRING, DOWN RELIEF     | 1 |  |
| 57 | 69J-43854-00-00 | .SPRING, MANUAL RELEASE  | 1 |  |
| 58 | 69J-4384G-00-00 | .SEAL, RELIEF VALVE      | 1 |  |
| 59 | CS3-4387G-00-00 | .WASHER                  | 2 |  |
| 60 | 91318-05025-00  | .BOLT                    | 2 |  |
| 61 | 93604-35236-00  | .PIN, DOWEL              | 2 |  |
| 62 | 69J-43871-00-00 | RING, BACK UP            | 1 |  |
| 63 | 69J-43816-00-00 | FILTER 1                 | 1 |  |
| 64 | 69J-4381J-00-00 | PLATE                    | 1 |  |
| 65 | 91318-05040-00  | BOLT                     | 3 |  |
| 66 | 69J-43831-00-00 | CONNECTOR, SHAFT         | 1 |  |
| 67 | 61A-43861-00-00 | O-RING                   | 2 |  |
| 68 | 6T4-43875-01-00 | RING, SNAP               | 2 |  |
| 69 | 61A-43822-00-00 | SEAL, TRIM DUST          | 2 |  |
| 70 | 61A-43821-00-00 | SCREW, TRIM CYLINDER END | 2 |  |
| 71 | 69J-43820-00-00 | TRIM PISTON SUB ASSY     | 2 |  |
| 72 | 61A-43874-00-00 | .RING, BACK UP           | 1 |  |
| 73 | 61A-43864-00-00 | .O-RING                  | 1 |  |
| 74 | 61A-4384H-10-00 | .SPRING                  | 1 |  |
| 75 | 61A-43875-10-00 | .RING, SNAP              | 1 |  |

## Part Notes

LF300XCA\_0112 / POWER TRIM TILT ASSY 1

| PART NUMBER     |   | NOTE TEXT   |
|-----------------|---|---|
| 6T4-43875-01-00 |   | OEM: This part number is among the Top 100 Most Popular Marine Maintenance Parts as of February 2013. |
| 61A-43822-00-00 |  | OEM: This part number is among the Top 100 Most Popular Marine Maintenance Parts as of February 2013. |
| 61A-43821-00-00 |  | OEM: This part number is among the Top 100 Most Popular Marine Maintenance Parts as of February 2013. |

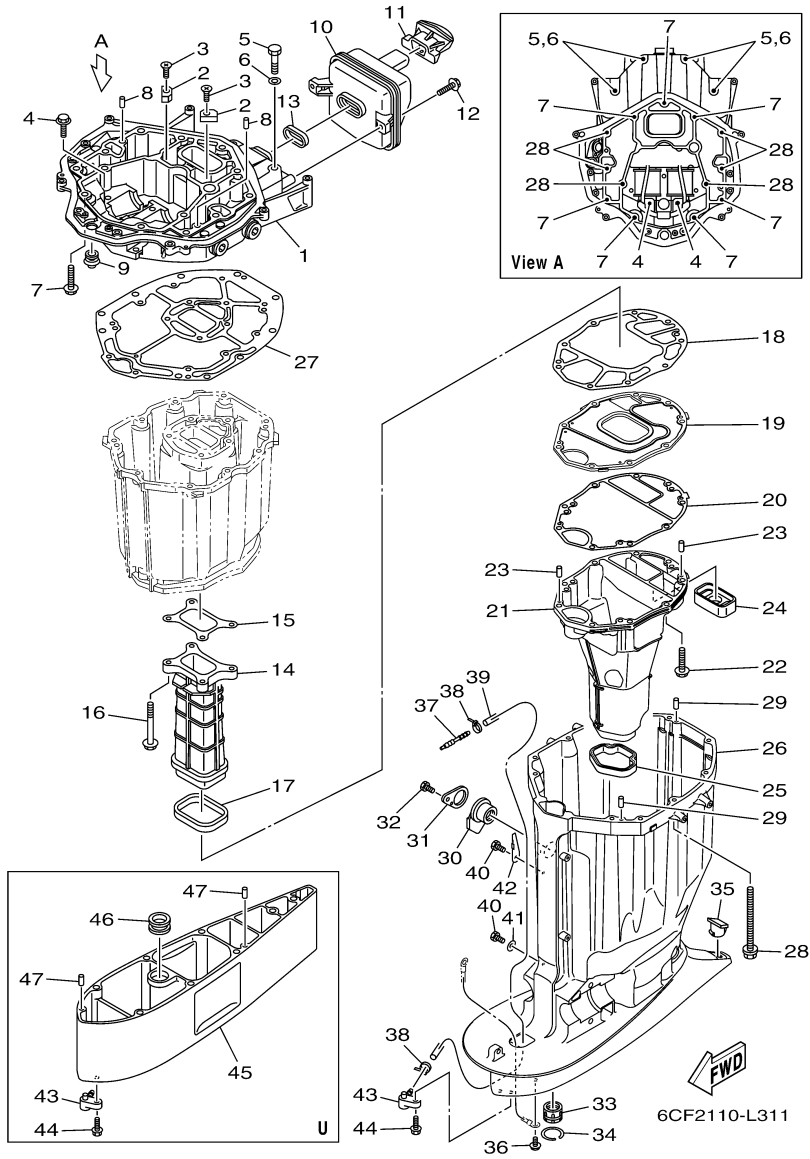


  
69J3700-C290

## Part List

LF300XCA\_0112 / POWER TRIM TILT ASSY 2

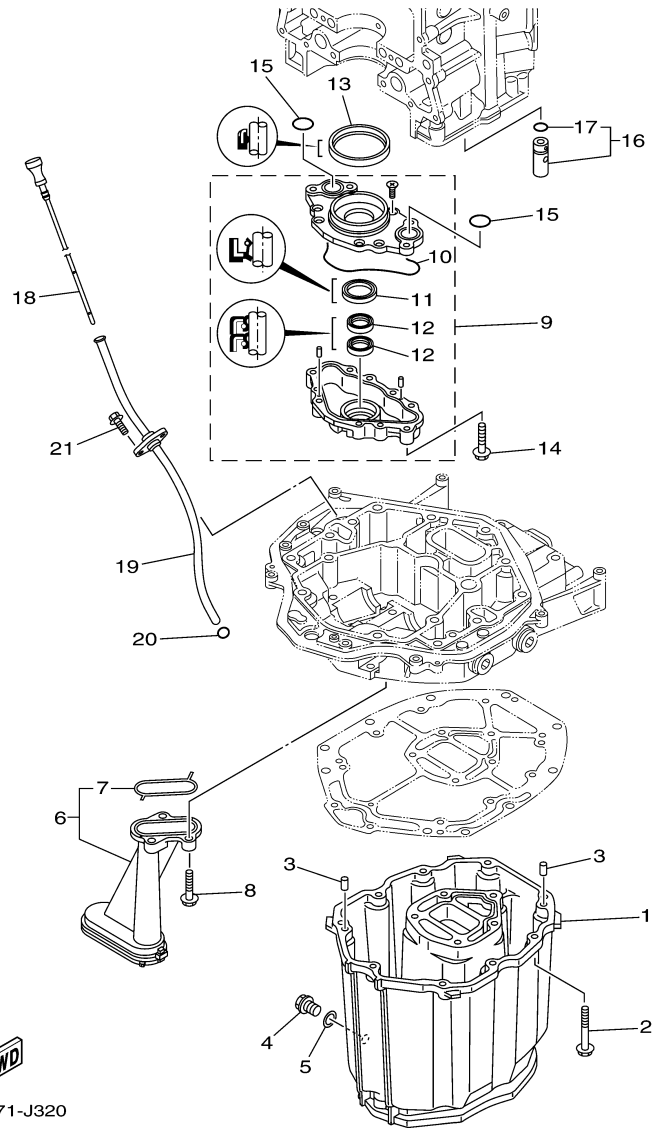
| REF<br>-<br>NO | PART<br>NUMBER  | PART NAME       | QUANTITY | REMARKS |
|----------------|-----------------|-----------------|----------|---------|
| 1              | 69J-43880-01-00 | MOTOR ASSY      | 1        |         |
| 2              | 90206-14N50-00  | .WASHER, WAVE   | 1        |         |
| 3              | 93399-999T6-00  | .BEARING        | 2        |         |
| 4              | 69J-43805-00-00 | .ARMATURE ASSY  | 1        |         |
| 5              | 69J-43804-00-00 | .STATOR ASSY    | 1        |         |
| 6              | 69J-43861-00-00 | .O-RING         | 1        |         |
| 7              | 69J-43886-00-00 | .BOLT           | 2        |         |
| 8              | 69J-43882-00-00 | .OIL SEAL       | 1        |         |
| 9              | 69J-43891-00-00 | .BRUSH 1        | 4        |         |
| 10             | 69J-4386K-00-00 | .SPRING, BRUSH  | 4        |         |
| 11             | 69J-43881-01-00 | .FRAME, END     | 1        |         |
| 12             | 69J-4388H-00-00 | PLUG            | 1        |         |
| 13             | 69J-43817-00-00 | FILTER 2        | 1        |         |
| 14             | 69J-4388F-00-00 | SPACER          | 1        |         |
| 15             | 6H1-43869-00-00 | O-RING          | 2        |         |
| 16             | 69J-43828-00-00 | BODY, RESERVOIR | 1        |         |
| 17             | 69J-43888-00-00 | BOLT, SOCKET    | 6        |         |
| 18             | 93210-09165-00  | O-RING          | 1        |         |
| 19             | 6H1-43829-00-00 | PLUG, RESERVOIR | 1        |         |



## Part List

LF300XCA\_0112 / UPPER CASING

| REF<br>-<br>NO | PART<br>NUMBER  | PART NAME                      | QUANTITY | REMARKS         |
|----------------|-----------------|--------------------------------|----------|-----------------|
| 1              | 6CE-41137-00-CA | GUIDE, EXHAUST                 | 1        |                 |
| 2              | 63P-11325-11-00 | .ANODE                         | 2        |                 |
| 3              | 90151-06M02-00  | SCREW, COUNTERSUNK             | 2        |                 |
| 4              | 90119-08102-00  | BOLT, WITH WASHER              | 2        |                 |
| 5              | 97075-10045-00  | BOLT                           | 4        |                 |
| 6              | 92995-10600-00  | WASHER                         | 4        |                 |
| 7              | 97575-10535-00  | BOLT, WITH WASHER              | 7        |                 |
| 8              | 93608-16M16-00  | PIN, DOWEL                     | 2        |                 |
| 9              | 6E5-42724-00-00 | GROMMET                        | 1        |                 |
| 10             | 6CB-14750-00-00 | SILENCER ASSY                  | 1        | UR 6CF:1002887- |
| 11             | 6CB-42769-01-00 | SEAL, RUBBER                   | 1        | UR 6CF:1002887- |
| 12             | 95875-06020-00  | BOLT, FLANGE                   | 2        |                 |
| 13             | 6CB-14755-00-00 | .GASKET, SILENCER              | 1        |                 |
| 14             | 6CB-41132-00-9S | MANIFOLD, EXHAUST              | 1        |                 |
| 15             | 6CB-41134-00-00 | .GASKET, EXHAUST<br>MANIFOLD   | 1        |                 |
| 16             | 97575-08560-00  | BOLT, WITH WASHER              | 4        |                 |
| 17             | 6CB-41138-00-00 | .SEAL, EXT. 1                  | 1        |                 |
| 18             | 6CB-41135-00-00 | .GASKET, EXHAUST<br>MANIFOLD   | 1        |                 |
| 19             | 6CE-45181-00-9S | PLATE                          | 1        |                 |
| 20             | 6CE-41136-00-00 | .GASKET, EXHAUST<br>MANIFOLD 4 | 1        |                 |
| 21             | 6CE-14711-00-9S | MUFFLER 1                      | 1        |                 |
| 22             | 97575-08535-00  | BOLT, WITH WASHER              | 9        |                 |
| 23             | 93606-19M23-00  | PIN, DOWEL                     | 2        |                 |
| 24             | 6CE-45127-00-00 | .SEAL                          | 1        |                 |
| 25             | 6CE-45123-00-00 | .GASKET, MUFFLER               | 1        |                 |
| 26             | 6CE-45111-00-8D | CASING, UPPER                  | 1        |                 |
| 27             | 6CB-45113-00-00 | .GASKET, UPPER CASING          | 1        |                 |
| 28             | 90119-10007-00  | BOLT, WITH WASHER              | 6        |                 |
| 29             | 93608-16M16-00  | PIN, DOWEL                     | 2        |                 |
| 30             | 6BB-15316-00-00 | DAMPER 1                       | 1        |                 |
| 31             | 6BB-45152-01-00 | COVER, UPPER CASING 2          | 1        |                 |
| 32             | 97095-06014-00  | BOLT                           | 1        |                 |
| 33             | 69J-45318-01-00 | BUSHING, DRIVE SHAFT           | 1        |                 |
| 34             | 93420-36M01-00  | CIRCLIP                        | 1        |                 |
| 35             | 61A-45155-00-00 | CAP                            | 1        |                 |
| 36             | 95895-06010-00  | BOLT, FLANGE                   | 1        |                 |
| 37             | 6E5-83558-00-00 | END, NIPPLE                    | 1        |                 |
| 38             | 90465-11M10-00  | CLAMP                          | 2        |                 |
| 39             | 90445-07032-00  | HOSE (L1920)                   | 1        | X(25.3")        |
| 40             | 97095-06010-00  | BOLT                           | 2        |                 |
| 41             | 90201-06M02-00  | WASHER, PLATE                  | 1        |                 |
| 42             | 90462-10061-00  | CLAMP                          | 1        |                 |
| 43             | 63P-45379-00-00 | NIPPLE, HOSE                   | 1        |                 |
| 44             | 90119-06M18-00  | BOLT, WITH WASHER              | 1        |                 |



  
6CB1171-J320


## Part List

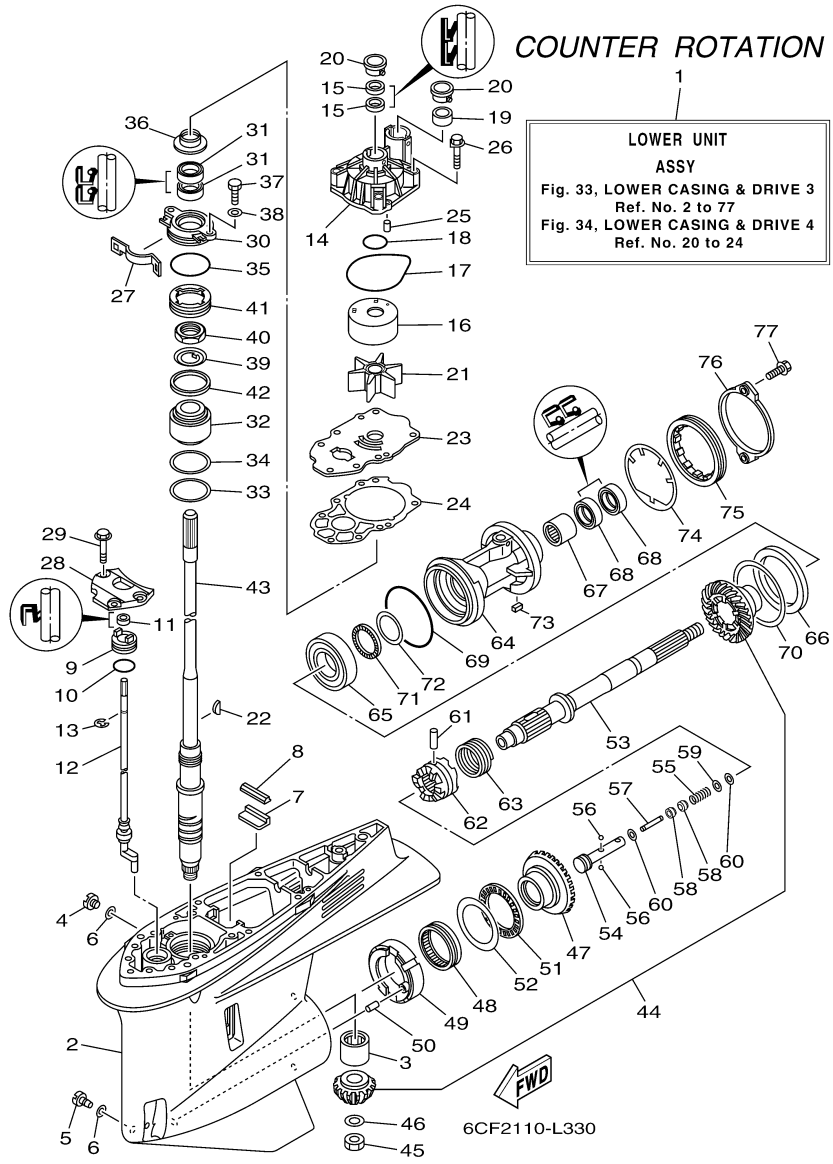
LF300XCA\_0112 / OIL PAN

| REF - NO | PART NUMBER     | PART NAME            | QUANTITY | REMARKS |
|----------|-----------------|----------------------|----------|---------|
| 1        | 6CB-15311-00-CA | OIL PAN              | 1        |         |
| 2        | 97575-08535-00  | BOLT, WITH WASHER    | 10       |         |
| 3        | 93608-16M16-00  | PIN, DOWEL           | 2        |         |
| 4        | 90340-14M06-00  | PLUG, STRAIGHT SCREW | 1        |         |
| 5        | 90430-14M09-00  | .GASKET              | 1        |         |
| 6        | 6CB-13411-00-00 | STRAINER, OIL        | 1        |         |
| 7        | 6AW-13415-00-00 | .SEAL, OIL STRAINER  | 1        |         |
| 8        | 95812-06025-00  | BOLT, FLANGE         | 3        |         |
| 9        | 6CB-13300-00-00 | OIL PUMP ASSY        | 1        |         |
| 10       | 6CB-13329-00-00 | .GASKET, PUMP COVER  | 1        |         |
| 11       | 6AW-13119-00-00 | .OIL SEAL            | 1        |         |
| 12       | 69J-13631-00-00 | .OIL SEAL            | 2        |         |
| 13       | 6CB-11355-00-00 | .SEAL, CYLINDER 1    | 1        |         |
| 14       | 95875-06040-00  | BOLT, FLANGE         | 4        |         |
| 15       | 93210-26658-00  | .O-RING              | 2        |         |
| 16       | 6CB-13490-00-00 | RELIEF VALVE ASSY    | 1        |         |
| 17       | 6CB-13473-00-00 | .O-RING              | 1        |         |
| 18       | 6CB-15362-00-00 | PLUG, OIL LEVEL      | 1        |         |
| 19       | 6CB-15377-00-00 | GUIDE, INLET         | 1        |         |
| 20       | 93210-19MJ3-00  | .O-RING              | 1        |         |
| 21       | 95875-06016-00  | BOLT, FLANGE         | 2        |         |

## Part Notes

LF300XCA\_0112 / OIL PAN

| PART NUMBER  | NOTE TEXT   |
|--|---|
| 90430-14M09-00  | OEM: This part number is among the Top 100 Most Popular Marine Maintenance Parts as of February 2013. |





## Part List



LF300XCA\_0112 / LOWER CASING DRIVE 3


| REF - NO | PART NUMBER     | PART NAME                 | QUANTITY | REMARKS  |
|----------|-----------------|---------------------------|----------|----------|
| 1        | 6CF-45300-00-8D | LOWER UNIT ASSY           | 1        | X(25.3") |
| 2        | 6CE-45301-00-8D | CASING, LOWER             | 1        |          |
| 3        | 93311-83280-00  | BEARING                   | 1        |          |
| 4        | 90340-08002-00  | PLUG, STRAIGHT SCREW      | 1        |          |
| 5        | 688-45341-10-00 | PLUG, DRAIN               | 1        |          |
| 6        | 90430-08020-00  | .GASKET                   | 2        |          |
| 7        | 663-45376-00-00 | GUIDE, SEAL DAMPER        | 1        |          |
| 8        | 6CE-45375-00-00 | DAMPER, SEAL              | 1        |          |
| 9        | 65N-45321-00-00 | PLATE                     | 1        |          |
| 10       | 93210-33M49-00  | .O-RING                   | 1        |          |
| 11       | 93106-09014-00  | .OIL SEAL                 | 1        |          |
| 12       | 6CF-44150-00-00 | SHIFT CAM ASSY            | 1        |          |
| 13       | 99001-08600-00  | CIRCLIP                   | 1        |          |
| 14       | 6CE-44311-00-00 | HOUSING, WATER PUMP       | 1        |          |
| 15       | 93104-22M07-00  | .OIL SEAL                 | 2        |          |
| 16       | 6AW-44322-00-00 | .INSERT, CARTRIDGE        | 1        |          |
| 17       | 93210-94003-00  | .O-RING                   | 1        |          |
| 18       | 93210-37160-00  | .O-RING                   | 1        |          |
| 19       | 6AW-44365-00-00 | .DAMPER, WATER SEAL 1     | 1        |          |
| 20       | 6AW-44312-00-00 | COVER, WATER PUMP HOUSING | 2        |          |
| 21       | 6CE-44352-00-00 | .IMPELLER                 | 1        |          |
| 22       | 90280-04002-00  | .KEY, WOODRUFF            | 1        |          |
| 23       | 6CE-44323-00-00 | .OUTER PLATE, CARTRIDGE   | 1        |          |
| 24       | 6CE-44315-00-00 | .GASKET, WATER PUMP       | 1        |          |
| 25       | 93606-12019-00  | PIN, DOWEL                | 2        |          |
| 26       | 90119-08M14-00  | .BOLT, WITH WASHER        | 4        |          |
| 27       | 6AW-45723-00-00 | PLATE, SEAL               | 1        |          |
| 28       | 6CB-44312-00-00 | COVER, WATER PUMP HOUSING | 1        |          |
| 29       | 90119-08M32-00  | BOLT, WITH WASHER         | 3        |          |
| 30       | 6CE-45335-00-9S | HOUSING, OIL SEAL         | 1        |          |
| 31       | 93101-28M16-00  | .OIL SEAL                 | 2        |          |
| 32       | 93399-99966-00  | BEARING                   | 1        |          |
| 33       | 90201-62008-00  | WASHER, PLATE             | 1        |          |
| 34       | 6CE-45587-00-00 | SHIM (T:0.10MM)           | 1        | UR       |
| 34       | 6CE-45587-10-00 | SHIM (T:0.12MM)           | 1        | UR       |
| 34       | 6CE-45587-20-00 | SHIM (T:0.15MM)           | 1        | UR       |
| 34       | 6CE-45587-60-00 | SHIM (T:0.50MM)           | 1        | UR       |
| 34       | 6CE-45587-40-00 | SHIM (T:0.30MM)           | 1        | UR       |
| 34       | 6CE-45587-50-00 | SHIM (T:0.40MM)           | 1        | UR       |
| 34       | 6CE-45587-30-00 | SHIM (T:0.18MM)           | 1        | UR       |
| 35       | 93210-64488-00  | O-RING                    | 1        |          |
| 36       | 6AW-45344-00-00 | COVER, OIL SEAL           | 1        |          |
| 37       | 97095-08020-00  | BOLT                      | 2        |          |
| 38       | 92995-08600-00  | WASHER                    | 2        |          |
| 39       | 90214-30003-00  | WASHER, CLAW              | 1        |          |
| 40       | 90170-30M18-00  | NUT                       | 1        |          |
| 41       | 6CE-45244-00-00 | NUT                       | 1        |          |
| 42       | 6CE-45539-00-00 | SPACER 2                  | 1        |          |
| 43       | 6CE-45501-00-00 | DRIVE SHAFT COMP.         | 1        | X(25.3") |
| 44       | 6CF-45550-00-00 | GEAR SET                  | 1        |          |
| 45       | 90170-16M19-00  | NUT                       | 1        |          |

|    |                 |                     |   |    |
|----|-----------------|---------------------|---|----|
| 46 | 90201-16M00-00  | WASHER, PLATE       | 1 |    |
| 47 | 6CF-45560-00-00 | GEAR 1 (21T)        | 1 |    |
| 48 | 93311-85894-00  | BEARING             | 1 |    |
| 49 | 6CB-45824-00-00 | ADAPTER             | 1 |    |
| 50 | 93608-16M16-00  | PIN, DOWEL          | 1 |    |
| 51 | 93340-67011-00  | BEARING             | 1 |    |
| 52 | 6CB-45567-00-00 | SHIM (T:2.00MM)     | 1 | UR |
| 52 | 6CB-45567-10-00 | SHIM (T:2.03MM)     | 1 | UR |
| 52 | 6CB-45567-50-00 | SHIM (T:2.15MM)     | 1 | UR |
| 52 | 6CB-45567-30-00 | SHIM (T:2.09MM)     | 1 | UR |
| 52 | 6CB-45567-40-00 | SHIM (T:2.12MM)     | 1 | UR |
| 52 | 6CB-45567-20-00 | SHIM (T:2.06MM)     | 1 | UR |
| 53 | 6CF-45611-00-00 | SHAFT, PROPELLER    | 1 |    |
| 54 | 6CB-45634-00-00 | SLIDE, SHIFT        | 1 |    |
| 55 | 90501-10M77-00  | SPRING, COMPRESSION | 1 |    |
| 56 | 93501-04011-00  | BALL                | 2 |    |
| 57 | 6H1-45668-00-00 | SHAFT, FREE 1       | 1 |    |
| 58 | 61A-45635-00-00 | PLUNGER, SHIFT      | 2 |    |
| 59 | 90201-02M00-00  | WASHER, PLATE       | 1 |    |
| 60 | 90183-02M03-00  | NUT, SPRING         | 2 |    |
| 61 | 90250-08M07-00  | PIN, STRAIGHT       | 1 |    |
| 62 | 6CE-45631-00-00 | CLUTCH, DOG         | 1 |    |
| 63 | 6E5-45633-01-00 | RING, CROSS PIN     | 1 |    |
| 64 | 6CF-45332-00-CA | HOUSING, BEARING    | 1 |    |
| 65 | 93332-00048-00  | BEARING             | 1 |    |
| 66 | 6CF-45576-00-00 | WASHER, THRUST 2    | 1 |    |
| 67 | 93315-43061-00  | BEARING             | 1 |    |
| 68 | 93101-30M17-00  | .OIL SEAL           | 2 |    |
| 69 | 93211-02001-00  | .O-RING             | 1 |    |
| 70 | 6CB-45577-00-00 | SHIM (T:0.10MM)     | 1 | UR |
| 70 | 6CB-45577-10-00 | SHIM (T:0.12MM)     | 1 | UR |
| 70 | 6CB-45577-20-00 | SHIM (T:0.15MM)     | 1 | UR |
| 70 | 6CB-45577-60-00 | SHIM (T:0.50MM)     | 1 | UR |
| 70 | 6CB-45577-40-00 | SHIM (T:0.30MM)     | 1 | UR |
| 70 | 6CB-45577-50-00 | SHIM (T:0.40MM)     | 1 | UR |
| 70 | 6CB-45577-30-00 | SHIM (T:0.18MM)     | 1 | UR |
| 71 | 93341-440U5-00  | BEARING             | 1 |    |
| 72 | 6K1-45578-01-00 | SHIM (T:0.10MM)     | 1 | UR |
| 72 | 6K1-45578-10-00 | SHIM (T:0.12MM)     | 1 | UR |
| 72 | 6K1-45578-20-00 | SHIM (T:0.15MM)     | 1 | UR |
| 72 | 6K1-45578-60-00 | SHIM (T:0.50MM)     | 1 | UR |
| 72 | 6K1-45578-40-00 | SHIM (T:0.30MM)     | 1 | UR |
| 72 | 6K1-45578-50-00 | SHIM (T:0.40MM)     | 1 | UR |
| 72 | 6K1-45578-30-00 | SHIM (T:0.18MM)     | 1 | UR |
| 73 | 90282-05008-00  | KEY, STRAIGHT       | 1 |    |
| 74 | 6CB-45383-00-00 | WASHER, CLAW        | 1 |    |
| 75 | 6CB-45384-00-00 | NUT                 | 1 |    |
| 76 | 6CE-45361-10-00 | CAP, LOWER CASING   | 1 |    |
| 77 | 90105-08M61-00  | BOLT, FLANGE        | 2 |    |

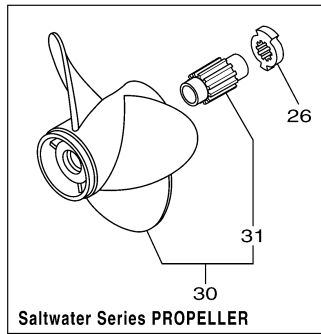
## Part Notes

LF300XCA\_0112 / LOWER CASING DRIVE 3

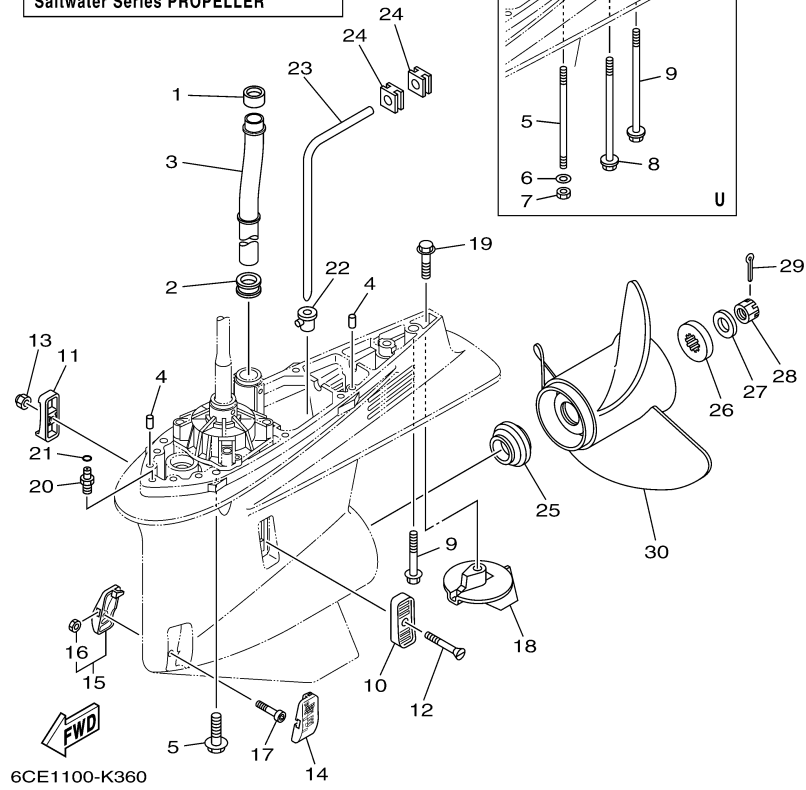
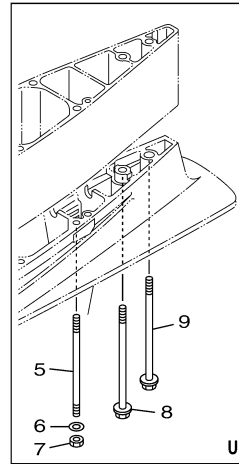
| PART NUMBER    |   | NOTE TEXT   |
|----------------|---|---|
| 90430-08020-00 |  | OEM: This part number is among the Top 100 Most Popular Marine Maintenance Parts as of February 2013. |
| 93106-09014-00 |  | OEM: This part number is among the Top 100 Most Popular Marine Maintenance Parts as of February 2013. |
| 93101-28M16-00 |   | OEM: This part number is among the Top 100 Most Popular Marine Maintenance Parts as of February 2013. |

|                |   |   |
|----------------|---|---|
| 93101-30M17-00 |  | OEM: This part number is among the Top 100 Most Popular Marine Maintenance Parts as of February 2013. |
|----------------|---|---|





### COUNTER ROTATION





# Part List

LF300XCA\_0112 / LOWER CASING DRIVE 4

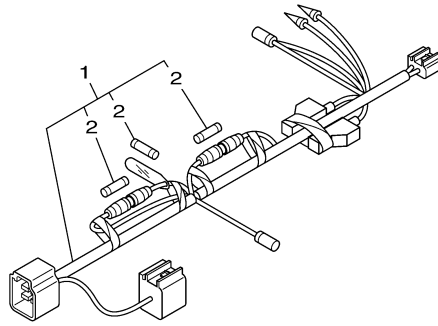
| REF - NO | PART NUMBER     | PART NAME                    | QUANTITY | REMARKS          |
|----------|-----------------|------------------------------|----------|------------------|
| 1        | 6AW-44365-00-00 | .DAMPER, WATER SEAL 1        | 1        |                  |
| 2        | 6AW-44366-00-00 | DAMPER, WATER SEAL 2         | 1        |                  |
| 3        | 6CE-44361-00-00 | TUBE, WATER 1                | 1        | X(25.3")         |
| 4        | 93608-16M16-00  | PIN, DOWEL                   | 2        |                  |
| 5        | 90119-10038-00  | BOLT, WITH WASHER            | 7        | X(25.3")         |
| 9        | 97575-10570-00  | BOLT, WITH WASHER            | 1        | X(25.3")         |
| 10       | 6P2-45214-00-00 | COVER, WATER INLET 1         | 1        |                  |
| 11       | 6P2-45215-00-00 | COVER, WATER INLET 2         | 1        |                  |
| 12       | 90152-05M08-00  | SCREW, COUNTERSUNK           | 1        |                  |
| 13       | 90185-05002-00  | NUT, NYLON                   | 1        |                  |
| 14       | 6CE-45224-00-00 | COVER, WATER INLET 3         | 1        |                  |
| 15       | 6CE-45225-00-00 | COVER, WATER INLET 4         | 1        |                  |
| 16       | 90185-05002-00  | .NUT, NYLON                  | 1        |                  |
| 17       | 90110-05039-00  | BOLT, HEXAGON SOCKET HEAD    | 1        |                  |
| 18       | 61A-45371-00-00 | TAB, TRIM                    | 1        |                  |
| 19       | 90105-10M00-00  | BOLT, FLANGE                 | 1        |                  |
| 20       | 63P-45378-00-00 | NIPPLE, HOSE                 | 1        |                  |
| 21       | 93210-07003-00  | .O-RING                      | 1        |                  |
| 22       | 6D0-44367-00-00 | DAMPER, WATER SEAL 3         | 1        |                  |
| 23       | 6D0-44362-01-00 | TUBE, WATER 2                | 1        |                  |
| 24       | 6D0-44366-00-00 | DAMPER, WATER SEAL 2         | 2        |                  |
| 25       | 69J-45987-00-00 | SPACER 1                     | 1        |                  |
| 26       | 6CE-45997-00-00 | SPACER 2                     | 1        | UR FOR 6CF PROP. |
| 26       | 688-45997-01-00 | SPACER 2                     | 1        | UR FOR 6D1 PROP. |
| 27       | 92990-18200-00  | WASHER                       | 1        |                  |
| 28       | 90171-18M04-00  | NUT, CASTLE                  | 1        |                  |
| 29       | 91490-40030-00  | PIN. COTTER                  | 1        |                  |
| 30       | 6D1-45970-00-00 | PROPELLER (3X15-1/4"X19"-TL) | 1        | UR SWS PROP.     |
| 30       | 6CF-45930-00-00 | PROPELLER (3X15-3/4"X13"-TL) | 1        | UR SWS PROP.     |
| 30       | 6CF-45970-00-00 | PROPELLER (3X15-1/4"X19"-TL) | 1        | UR SWS PROP.     |
| 30       | 6CF-45972-00-00 | PROPELLER (3X15"X21"-TL)     | 1        | UR SWS PROP.     |
| 30       | 6CF-45B74-00-00 | PROPELLER (4X15"X23"-TL)     | 1        | UR SWS SH4 PROP. |
| 30       | 6CF-45976-00-00 | PROPELLER (3X15-3/4"X15"-TL) | 1        | UR SWS PROP.     |
| 30       | 6CF-45978-00-00 | PROPELLER (3X15-1/2"X17"-TL) | 1        | UR SWS PROP.     |
| 30       | 6CF-45B70-00-00 | PROPELLER (4X15"X21"-TL)     | 1        | UR SWS SH4 PROP. |
| 30       | 6CF-45B72-00-00 | PROPELLER (4X15"X22"-TL)     | 1        | UR SWS SH4 PROP. |
| 30       | 6CF-45974-00-00 | PROPELLER (3X14-3/4"X23"-TL) | 1        | UR SWS PROP.     |
| 31       | 6CE-45C81-00-00 | .DAMPER RUBBER, PROPELLER 1  | 1        | FOR 6CF PROP.    |

# Part Notes

LF300XCA\_0112 / LOWER CASING DRIVE 4

| PART NUMBER   | NOTE TEXT   |
|---|---|
| 61A-45371-00-00  | OEM: This part number is among the Top 100 Most Popular Marine Maintenance Parts as of February 2013. |
| 90105-10M00-00   | OEM: This part number is among the Top 100 Most Popular Marine Maintenance Parts as of February 2013. |
| 91490-40030-00  | OEM: This part number is among the Top 100 Most Popular Marine Maintenance Parts as of February 2013. |





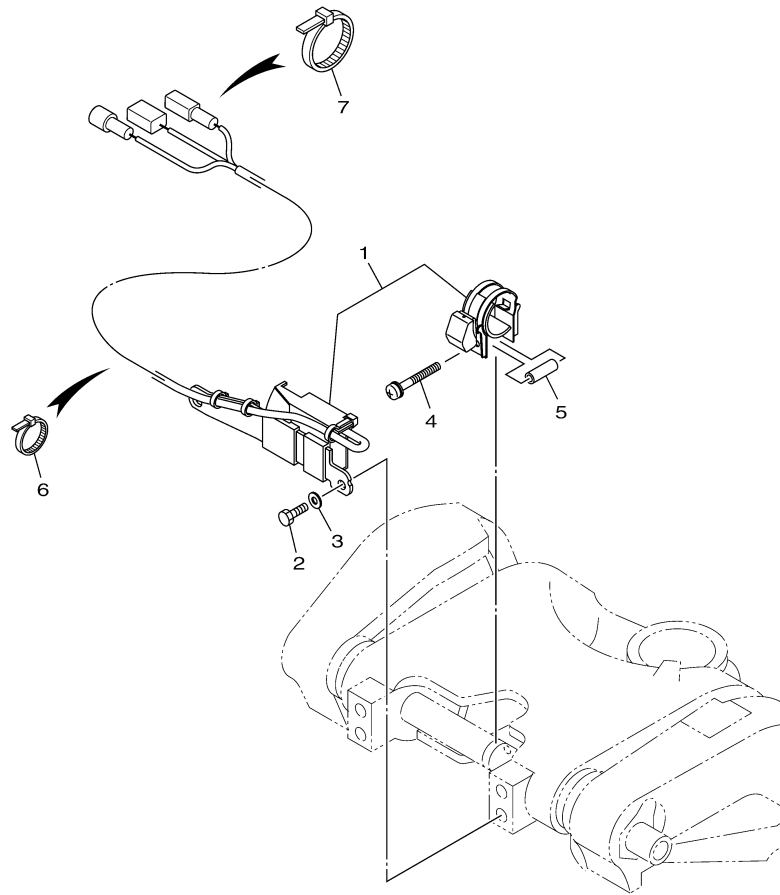
6AX4110-K350

# Part List

LF300XCA\_0112 / OPTIONAL PARTS 1

| <b>REF<br/>-<br/>NO</b> | <b>PART<br/>NUMBER</b> | <b>PART NAME</b> | <b>QUANTITY</b> | <b>REMARKS</b> |
|-------------------------|------------------------|------------------|-----------------|----------------|
| 1                       | 6Y8-81315-00-00        | LEAD WIRE ASSY   | 1               |                |
| 2                       | 6TA-82151-00-00        | .FUSE(5A)        | 3               |                |



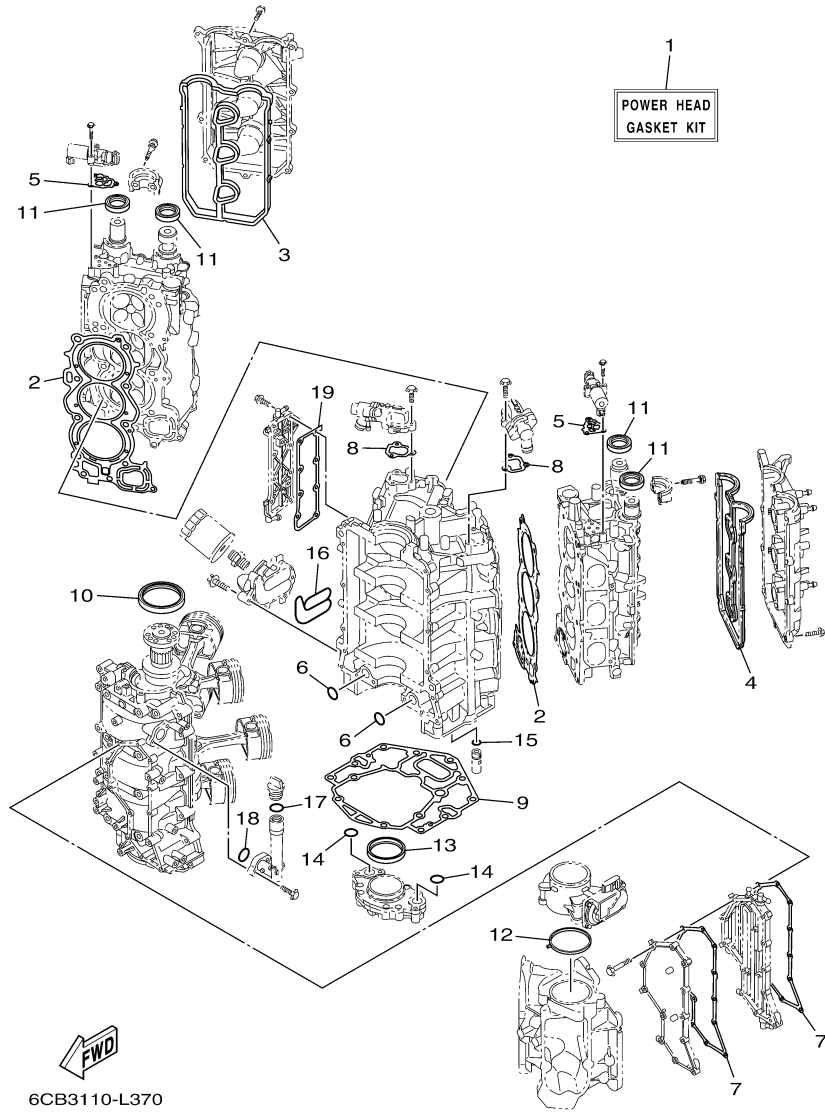


6CL3100-L370

# Part List

LF300XCA\_0112 / OPTIONAL PARTS 2

| <b>REF<br/>-<br/>NO</b> | <b>PART<br/>NUMBER</b> | <b>PART NAME</b>       | <b>QUANTITY</b> | <b>REMARKS</b> |
|-------------------------|------------------------|------------------------|-----------------|----------------|
| 1                       | 6CE-825E0-00-00        | TILT LIMIT SWITCH ASSY | 1               |                |
| 2                       | 97095-06016-00         | BOLT                   | 2               |                |
| 3                       | 92995-06600-00         | WASHER                 | 2               |                |
| 4                       | 90159-05059-00         | SCREW, WITH WASHER     | 1               |                |
| 5                       | 90387-05004-00         | COLLAR                 | 1               |                |
| 6                       | 90465-11M10-00         | CLAMP                  | 8               |                |
| 7                       | 90465-13M18-00         | CLAMP                  | 1               |                |

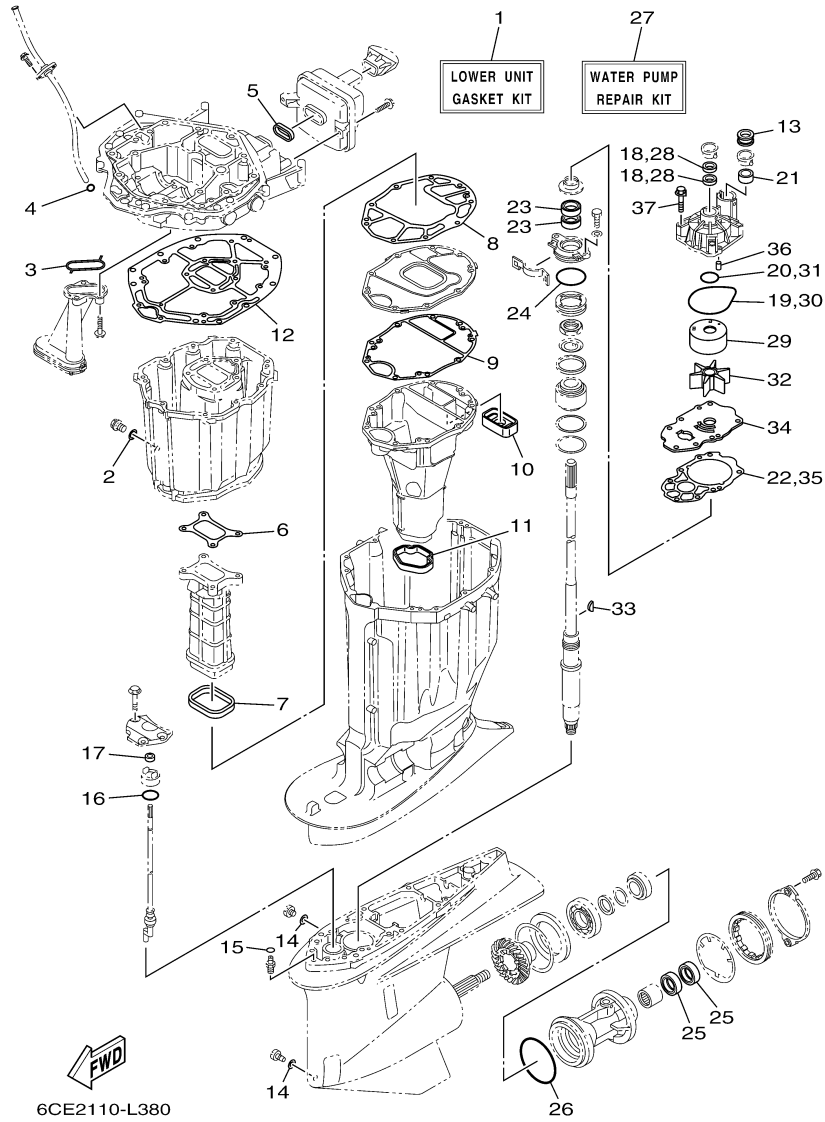


  
6CB3110-L370

## Part List

LF300XCA\_0112 / REPAIR KIT 1

| REF<br>-<br>NO | PART<br>NUMBER  | PART NAME                     | QUANTITY | REMARKS |
|----------------|-----------------|-------------------------------|----------|---------|
| 1              | 6CB-W0001-02-00 | POWER HEAD GASKET KIT         | 1        |         |
| 2              | 6CB-11181-00-00 | .GASKET, CYLINDER HEAD 1      | 2        |         |
| 3              | 6CB-11193-00-00 | .GASKET, HEAD COVER 1         | 1        |         |
| 4              | 6CB-11194-00-00 | .GASKET, HEAD COVER 2         | 1        |         |
| 5              | 6CB-1242F-00-00 | .GASKET, FILTER               | 2        |         |
| 6              | 93210-26658-00  | .O-RING                       | 2        |         |
| 7              | 6CB-15451-00-00 | .GASKET, CRANKCASE<br>COVER 1 | 2        |         |
| 8              | 6CB-12427-10-00 | .GASKET, HOUSING COVER 1      | 2        |         |
| 9              | 6CB-11351-00-00 | .GASKET, CYLINDER             | 1        |         |
| 10             | 93102-85008-00  | .OIL SEAL                     | 1        |         |
| 11             | 93102-38008-00  | .OIL SEAL                     | 4        |         |
| 12             | 6CB-13556-00-00 | .GASKET, MANIFOLD             | 1        |         |
| 13             | 6CB-11355-00-00 | .SEAL, CYLINDER 1             | 1        |         |
| 14             | 93210-26658-00  | .O-RING                       | 2        |         |
| 15             | 6CB-13473-00-00 | .O-RING                       | 1        |         |
| 16             | 6CB-13477-00-00 | .GASKET                       | 1        |         |
| 17             | 93210-24M79-00  | .O-RING                       | 1        |         |
| 18             | 93210-27370-00  | .O-RING                       | 1        |         |
| 19             | 6CB-1131B-00-00 | .GASKET, COVER                | 1        |         |








# Part List

LF300XCA\_0112 / REPAIR KIT 2

| REF - NO | PART NUMBER     | PART NAME                   | QUANTITY | REMARKS |
|----------|-----------------|-----------------------------|----------|---------|
| 1        | 6CE-W0001-20-00 | LOWER UNIT GASKET KIT       | 1        |         |
| 2        | 90430-14M09-00  | .GASKET                     | 1        |         |
| 3        | 6AW-13415-00-00 | .SEAL, OIL STRAINER         | 1        |         |
| 4        | 93210-19MJ3-00  | .O-RING                     | 1        |         |
| 5        | 6CB-14755-00-00 | .GASKET, SILENCER           | 1        |         |
| 6        | 6CB-41134-00-00 | .GASKET, EXHAUST MANIFOLD   | 1        |         |
| 7        | 6CB-41138-00-00 | .SEAL, EXT 1                | 1        |         |
| 8        | 6CB-41135-00-00 | .GASKET, EXHAUST MANIFOLD   | 1        |         |
| 9        | 6CE-41136-00-00 | .GASKET, EXHAUST MANIFOLD 4 | 1        |         |
| 10       | 6CE-45127-00-00 | .SEAL                       | 1        |         |
| 11       | 6CE-45123-00-00 | .GASKET, MUFFLER            | 1        |         |
| 12       | 6CB-45113-00-00 | .GASKET, UPPER CASING       | 1        |         |
| 13       | 6AW-44366-00-00 | .DAMPER, WATER SEAL 2       | 1        |         |
| 14       | 90430-08020-00  | .GASKET                     | 2        |         |
| 15       | 93210-07003-00  | .O-RING                     | 1        |         |
| 16       | 93210-33M49-00  | .O-RING                     | 1        |         |
| 17       | 93106-09014-00  | .OIL SEAL                   | 1        |         |
| 18       | 93104-22M07-00  | .OIL SEAL                   | 2        |         |
| 19       | 93210-94003-00  | .O-RING                     | 1        |         |
| 20       | 93210-37160-00  | .O-RING                     | 1        |         |
| 21       | 6AW-44365-00-00 | .DAMPER, WATER SEAL 1       | 1        |         |
| 22       | 6CE-44315-00-00 | .GASKET, WATER PUMP         | 1        |         |
| 23       | 93101-28M16-00  | .OIL SEAL                   | 2        |         |
| 24       | 93210-64488-00  | .O-RING                     | 1        |         |
| 25       | 93101-30M17-00  | .OIL SEAL                   | 2        |         |
| 26       | 93211-02001-00  | .O-RING                     | 1        |         |
| 27       | 6CE-W0078-00-00 | WATER PUMP REPAIR KIT       | 1        |         |
| 28       | 93104-22M07-00  | .OIL SEAL                   | 2        |         |
| 29       | 6AW-44322-00-00 | .INSERT, CARTRIDGE          | 1        |         |
| 30       | 93210-94003-00  | .O-RING                     | 1        |         |
| 31       | 93210-37160-00  | .O-RING                     | 1        |         |
| 32       | 6CE-44352-00-00 | .IMPELLER                   | 1        |         |
| 33       | 90280-04002-00  | .KEY, WOODRUFF              | 1        |         |
| 34       | 6CE-44323-00-00 | .OUTER PLATE, CARTRIDGE     | 1        |         |
| 35       | 6CE-44315-00-00 | .GASKET, WATER PUMP         | 1        |         |
| 36       | 93606-12019-00  | .PIN, DOWEL                 | 2        |         |
| 37       | 90119-08M14-00  | .BOLT, WITH WASHER          | 4        |         |

# Part Notes

LF300XCA\_0112 / REPAIR KIT 2

| PART NUMBER    |   | NOTE TEXT   |
|----------------|---|---|
| 90430-14M09-00 |  | OEM: This part number is among the Top 100 Most Popular Marine Maintenance Parts as of February 2013. |
| 90430-08020-00 |  | OEM: This part number is among the Top 100 Most Popular Marine Maintenance Parts as of February 2013. |
| 93106-09014-00 |  | OEM: This part number is among the Top 100 Most Popular Marine Maintenance Parts as of February 2013. |
| 93101-28M16-00 |  | OEM: This part number is among the Top 100 Most Popular Marine Maintenance Parts as of February 2013. |
| 93101-30M17-00 |  | OEM: This part number is among the Top 100 Most Popular Marine Maintenance Parts as of February 2013. |

