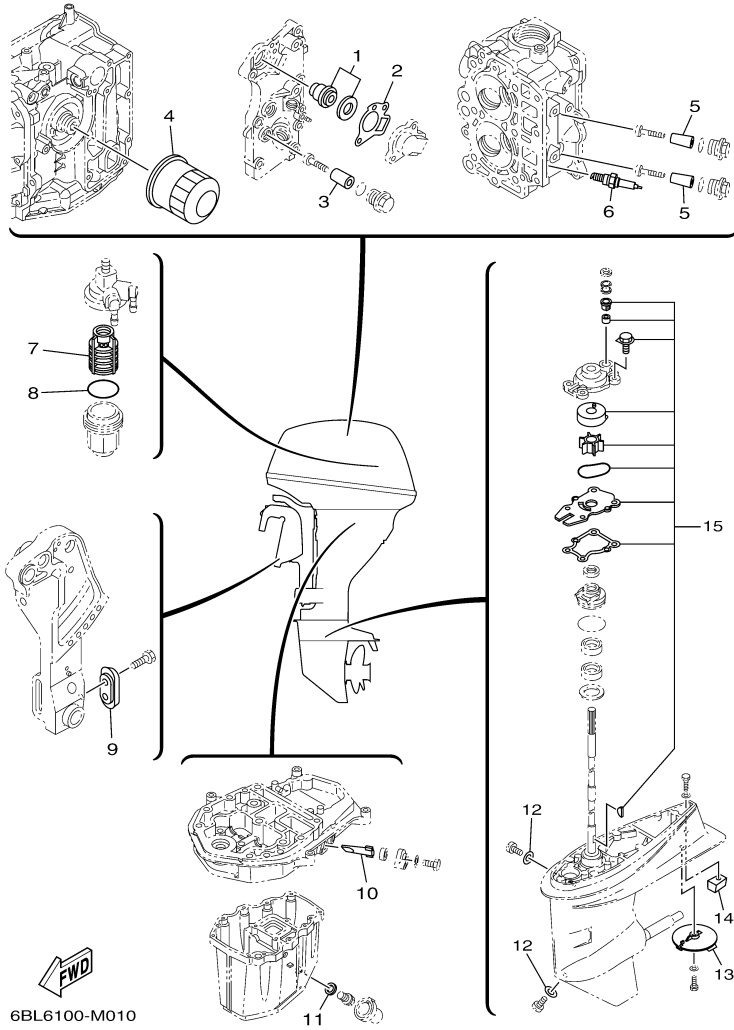


T25LA 0113 / SCHEDULED SERVICE PARTS



©2014 Yamaha Motor Corporation, U.S.A. All rights reserved.






Part List

T25LA 0113 / SCHEDULED SERVICE PARTS

| REF - NO | PART NUMBER | PART NAME | QUANTITY | REMARKS |
|----------|-----------------|---------------------------|----------|---------|
| 1 | 6G8-12411-03-00 | THERMOSTAT | 1 | |
| 2 | 62Y-12414-00-00 | .GASKET, COVER | 1 | |
| 3 | 6G8-11325-00-00 | ANODE | 1 | |
| 4 | 5GH-13440-50-00 | ELEMENT ASSY, OIL CLEANER | 1 | |
| 5 | 6BL-11325-00-00 | ANODE | 2 | |
| 6 | DPR-6EB90-00-00 | PLUG, SPARK (NGK DPR6EB) | 2 | |
| 7 | 61N-24563-10-00 | .ELEMENT, FILTER | 1 | |
| 8 | 93210-32738-00 | .O-RING | 1 | |
| 9 | 65W-45251-00-00 | ANODE | 1 | |
| 10 | 62Y-11325-00-00 | ANODE | 1 | |
| 11 | 90430-14M09-00 | .GASKET | 1 | |
| 12 | 90430-08020-00 | .GASKET | 2 | |
| 13 | 67C-45371-00-00 | TAB-TRIM | 1 | |
| 14 | 67C-45251-00-00 | ANODE | 1 | |
| 15 | 66T-W0078-00-00 | WATER PUMP REPAIR KIT | 1 | |

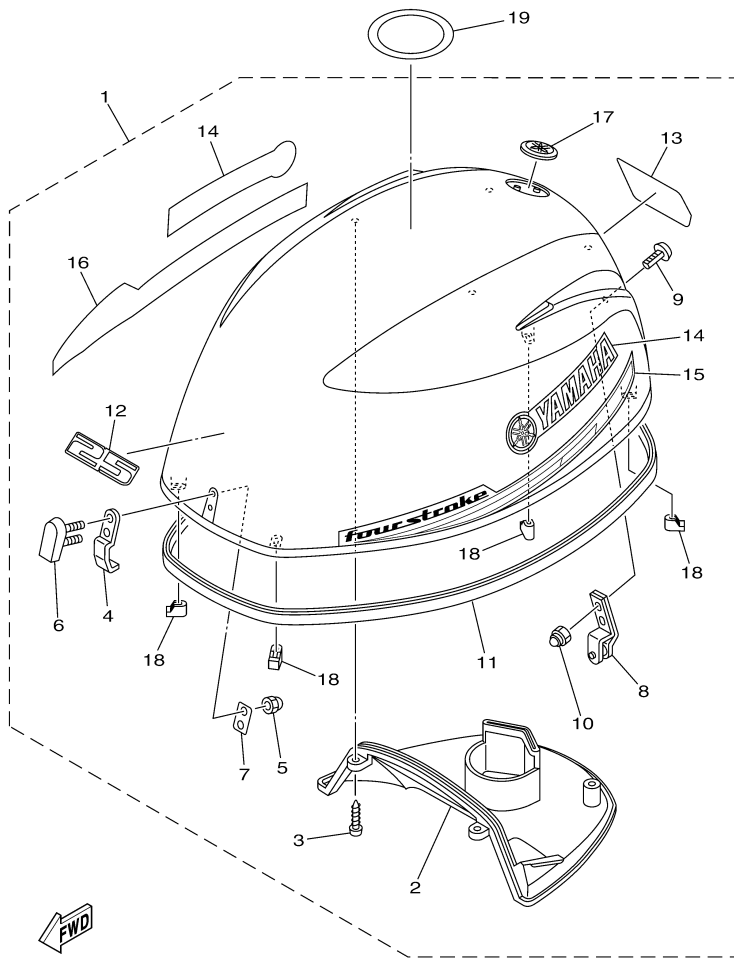
Part Notes

T25LA 0113 / SCHEDULED SERVICE PARTS

| PART NUMBER | | NOTE TEXT |
|-----------------|---|--|
| 62Y-12414-00-00 |  | OEM: This part number is among the Top 100 Most Popular Marine Maintenance Parts as of March 2014. |
| 61N-24563-10-00 |  | OEM: This part number is among the Top 100 Most Popular Marine Maintenance Parts as of March 2014. |
| 65W-45251-00-00 |  | OEM: This part number is among the Top 100 Most Popular Marine Maintenance Parts as of March 2014. |
| 90430-14M09-00 |  | OEM: This part number is among the Top 100 Most Popular Marine Maintenance Parts as of March 2014. |
| 90430-08020-00 |  | OEM: This part number is among the Top 100 Most Popular Marine Maintenance Parts as of March 2014. |

©2014 Yamaha Motor Corporation, U.S.A. All rights reserved.

T25LA 0113 / TOP COWLING



6BL5110-L010

Part List

T25LA 0113 / TOP COWLING

| REF - NO | PART NUMBER | PART NAME | QUANTITY | REMARKS |
|----------------|-----------------|---------------------|----------|---------|
| 1 | 6BL-42610-21-00 | TOP COWLING ASSY | 1 | |
| 2 | 6BL-42613-00-00 | .MOLDING, AIR DUCT | 1 | |
| 3 | 90167-05017-00 | .SCREW, TAPPING | 4 | |
| 4 | 6BL-42651-00-00 | .HOOK | 1 | |
| 5 | 95380-05800-00 | .NUT | 2 | |
| 6 | 6BG-42851-00-00 | .COVER, CLAMP | 1 | |
| 7 | 6BG-42649-00-00 | .HOLDER, CLAMP BAND | 1 | |
| 8 | 6BL-42652-00-00 | .HOOK | 1 | |
| 9 | 90109-06047-00 | .BOLT | 2 | |
| 10 | 90185-06M05-00 | .NUT, SELF-LOCKING | 2 | |
| 11 | 6CJ-42615-00-00 | .SEAL | 1 | |
| 12 | 6BP-42677-10-00 | .GRAPHIC, FRONT | 1 | |
| 13 | 6BL-42678-10-00 | .GRAPHIC, REAR | 1 | |
| 14 | 6BP-42681-00-00 | .MARK, COWLING | 2 | |
| 15 | 6BP-42675-10-00 | .GRAPHIC, SIDE 1 | 1 | |
| 16 | 6BP-42676-10-00 | .GRAPHIC, SIDE 2 | 1 | |
| 17 | 6AH-42697-10-00 | .TUNING FORK MARK | 1 | |
| 18 | 6BG-42662-00-00 | .DAMPER | 4 | |
| 19 | 67F-13434-20-00 | LABEL, CAUTION | 1 | |


Part List

T25LA 0113 / CYLINDER CRANKCASE 1

| REF - NO | PART NUMBER | PART NAME | QUANTITY | REMARKS |
|----------|-----------------|------------------------------|----------|---------|
| 1 | 6BL-W009B-01-1S | CYLINDER BLOCK ASSY | 1 | |
| 2 | 6BL-15100-02-00 | CRANKCASE ASSY | 1 | |
| 3 | 93606-12019-00 | .PIN, DOWEL | 3 | |
| 4 | 90119-08M01-00 | BOLT, WITH WASHER | 6 | |
| 5 | 97013-06025-00 | BOLT | 7 | |
| 6 | 92903-06600-00 | WASHER, PLATE | 7 | |
| 7 | 90344-51003-00 | PLUG, TAPER SCREW | 1 | |
| 8 | 6BG-11351-00-00 | .GASKET, CYLINDER | 1 | |
| 9 | 6BL-15121-00-1S | CRANKCASE 2 | 1 | |
| 10 | 6BL-15663-00-00 | .SEAL | 1 | |
| 11 | 97013-06025-00 | BOLT | 6 | |
| 12 | 92903-06600-00 | WASHER, PLATE | 6 | |
| 13 | 62Y-11119-00-00 | HANGER, ENGINE | 1 | |
| 14 | 97095-06020-00 | BOLT | 2 | |
| 15 | 92995-06600-00 | WASHER | 2 | |
| 16 | 6BL-41113-00-1S | OUTER COVER, EXHAUST | 1 | |
| 17 | 676-11372-00-00 | .NIPPLE, HOSE | 1 | |
| 18 | 93604-10M03-00 | PIN, DOWEL | 2 | |
| 19 | 90445-09057-00 | HOSE (L43) | 1 | |
| 20 | 688-24378-00-00 | PIPE, JOINT 3 | 1 | |
| 21 | 90445-09251-00 | HOSE (L350) | 1 | |
| 22 | 90445-09104-00 | HOSE (L300) | 1 | |
| 23 | 6G8-12411-03-00 | THERMOSTAT | 1 | |
| 24 | 688-12412-00-00 | .SEAL, THERMOSTAT | 1 | |
| 25 | 6C5-12413-00-9S | COVER, THERMOSTAT | 1 | |
| 26 | 62Y-12414-00-00 | .GASKET, COVER | 1 | |
| 27 | 6BL-41114-00-00 | .GASKET, EXHAUST OUTER COVER | 1 | |
| 28 | 90119-06MA5-00 | BOLT, WITH WASHER | 8 | |
| 29 | 6G8-11325-00-00 | ANODE | 1 | |
| 30 | 97880-05025-00 | SCREW, PAN HEAD | 1 | |
| 31 | 6G8-11197-01-00 | PLUG, BLIND | 1 | |
| 32 | 93210-13M63-00 | .O-RING | 1 | |
| 33 | 90340-18M09-00 | PLUG, STRAIGHT SCREW | 1 | |
| 34 | 90430-18130-00 | .GASKET | 1 | |
| 35 | 90340-14M06-00 | PLUG, STRAIGHT SCREW | 2 | |
| 36 | 90430-14115-00 | .GASKET | 2 | |
| 37 | 5GH-13440-50-00 | ELEMENT ASSY, OIL CLEANER | 1 | |
| 38 | 6C5-12858-00-00 | BOLT, UNION | 1 | |

Part Notes

T25LA 0113 / CYLINDER CRANKCASE 1

| PART NUMBER | NOTE TEXT |
|---|--|
| 62Y-12414-00-00  | OEM: This part number is among the Top 100 Most Popular Marine Maintenance Parts as of March 2014. |

©2014 Yamaha Motor Corporation, U.S.A. All rights reserved.

T25LA 0113 / CRANKSHAFT PISTON



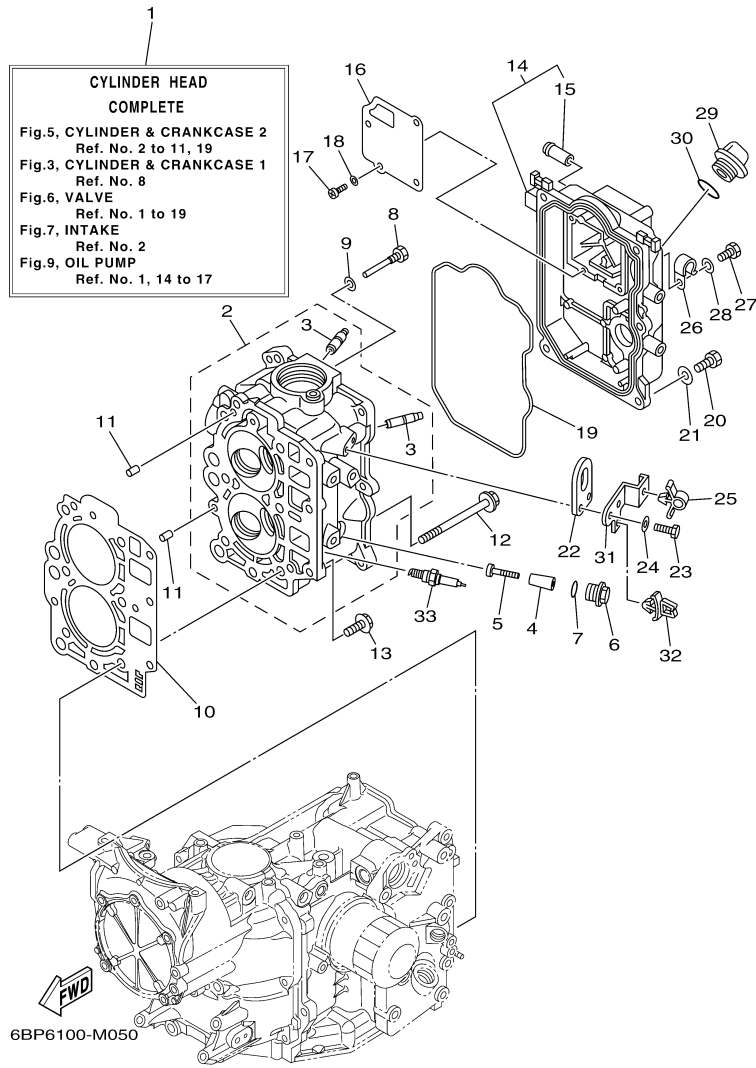
6BP1100-H030

Part List

T25LA 0113 / CRANKSHAFT PISTON

| REF - NO | PART NUMBER | PART NAME | QUANTITY | REMARKS |
|----------------|-----------------|----------------------------------|----------|----------|
| 1 | 6BL-11411-00-00 | CRANKSHAFT | 1 | |
| 2 | 6BG-11416-30-00 | PLANE BEARING, CRANKSHAFT 1 | 6 | UR GREEN |
| 2 | 6BG-11416-20-00 | PLANE BEARING, CRANKSHAFT 1 | 6 | UR PINK |
| 2 | 6BG-11416-10-00 | PLANE BEARING, CRANKSHAFT 1 | 6 | UR RED |
| 3 | 6C5-11650-00-00 | CONNECTING ROD ASSY | 2 | |
| 4 | 6C5-11654-00-00 | .BOLT, CONNECTING ROD | 2 | |
| 5 | 6CJ-11656-10-00 | PLANE BEARING, CONNECTING ROD | 4 | UR RED |
| 5 | 6CJ-11656-30-00 | PLANE BEARING, CONNECTING ROD | 4 | UR GREEN |
| 5 | 6CJ-11656-20-00 | PLANE BEARING, CONNECTING ROD | 4 | UR PINK |
| 6 | 69W-11631-01-97 | PISTON (STD) | 2 | |
| 6 | 69W-11636-01-00 | PISTON (0.50MM O/S) | 2 | AP |
| 6 | 69W-11635-01-00 | PISTON (0.25MM O/S) | 2 | AP |
| 7 | 67C-11605-00-00 | PISTON RING SET (0.50MM O/S) | 2 | AP |
| 7 | 67C-11604-00-00 | PISTON RING SET (0.25MM O/S) | 2 | AP |
| 7 | 67C-11603-00-00 | PISTON RING SET (STD) | 2 | |
| 8 | 62Y-11633-00-00 | PIN, PISTON | 2 | |
| 9 | 93450-17129-00 | CIRCLIP | 4 | |
| 10 | 6BL-11665-00-00 | CONNECTING ROD ASSY 3 | 1 | |
| 11 | 6BL-11642-00-00 | PISTON 2 (STD) | 1 | |
| 12 | 90170-20137-00 | NUT | 1 | |
| 13 | 93102-43M42-00 | .OIL SEAL | 1 | |
| 14 | 93101-35002-00 | .OIL SEAL | 1 | |

T25LA 0113 / CYLINDER CRANKCASE 2



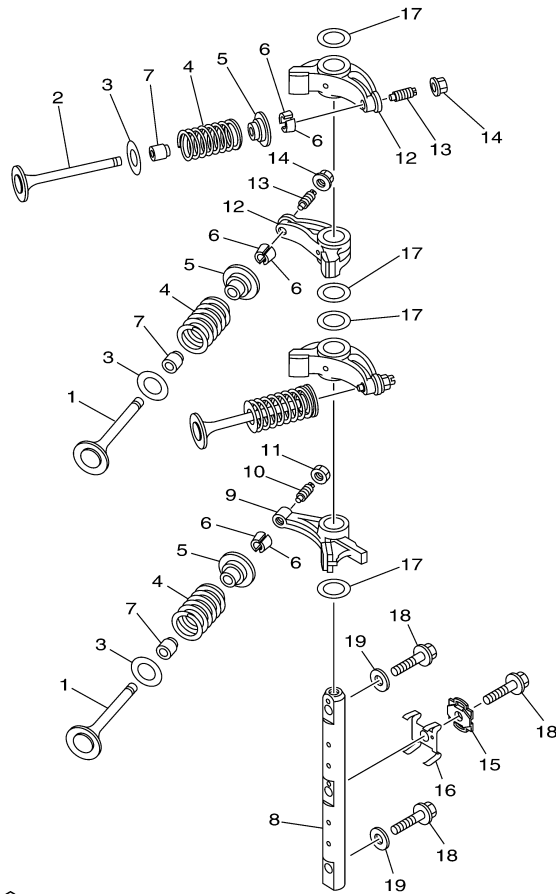
©2014 Yamaha Motor Corporation, U.S.A. All rights reserved.

Part List

T25LA 0113 / CYLINDER CRANKCASE 2

| REF - NO | PART NUMBER | PART NAME | QUANTITY | REMARKS |
|----------------|-----------------|--------------------------|----------|---------|
| 1 | 6BL-W009A-01-1S | CYLINDER HEAD COMPLETE | 1 | |
| 2 | 6BL-11111-10-1S | HEAD, CYLINDER 1 | 1 | |
| 3 | 62Y-11133-30-00 | .GUIDE, VALVE 1 | 4 | |
| 4 | 6BL-11325-00-00 | ANODE | 2 | |
| 5 | 98980-05035-00 | SCREW, BIND | 2 | |
| 6 | 6G8-11197-01-00 | PLUG, BLIND | 2 | |
| 7 | 93210-13M63-00 | .O-RING | 2 | |
| 8 | 90109-06M65-00 | BOLT | 1 | |
| 9 | 90430-06014-00 | .GASKET | 1 | |
| 10 | 6BL-11181-00-00 | .GASKET, CYLINDER HEAD 1 | 1 | |
| 11 | 93606-12019-00 | .PIN, DOWEL | 2 | |
| 12 | 90105-09009-00 | BOLT, FLANGE | 6 | |
| 13 | 90119-06MA3-00 | BOLT, WITH WASHER | 3 | |
| 14 | 6BL-11191-00-1S | COVER, CYLINDER HEAD 1 | 1 | |
| 15 | 62Y-14485-00-00 | .PIPE, JOINT | 1 | |
| 16 | 6BG-11168-00-00 | COVER, BREATHER | 1 | |
| 17 | 98507-04010-00 | SCREW, PAN HEAD | 4 | |
| 18 | 92907-04600-00 | WASHER | 4 | |
| 19 | 6BL-11356-00-00 | .SEAL, CYLINDER 2 | 1 | |
| 20 | 97095-06020-00 | BOLT | 5 | |
| 21 | 92995-06600-00 | WASHER | 5 | |
| 22 | 62Y-11119-00-00 | HANGER, ENGINE | 1 | |
| 23 | 97095-06020-00 | BOLT | 2 | |
| 24 | 92995-06600-00 | WASHER | 2 | |
| 25 | 90464-09023-00 | CLAMP | 1 | |
| 26 | 90465-08M83-00 | CLAMP | 1 | |
| 27 | 97095-06012-00 | BOLT | 1 | |
| 28 | 92995-06600-00 | WASHER | 1 | |
| 29 | 6G8-15363-00-00 | PLUG, OIL | 1 | |
| 30 | 93210-24M79-00 | .O-RING | 1 | |
| 31 | 6BL-82398-00-00 | PLATE 3 | 1 | |
| 32 | 90464-06001-00 | CLAMP | 1 | |
| 33 | DPR-6EB90-00-00 | PLUG, SPARK (NGK DPR6EB) | 2 | |

T25LA 0113 / VALVE



6BP1100-H050

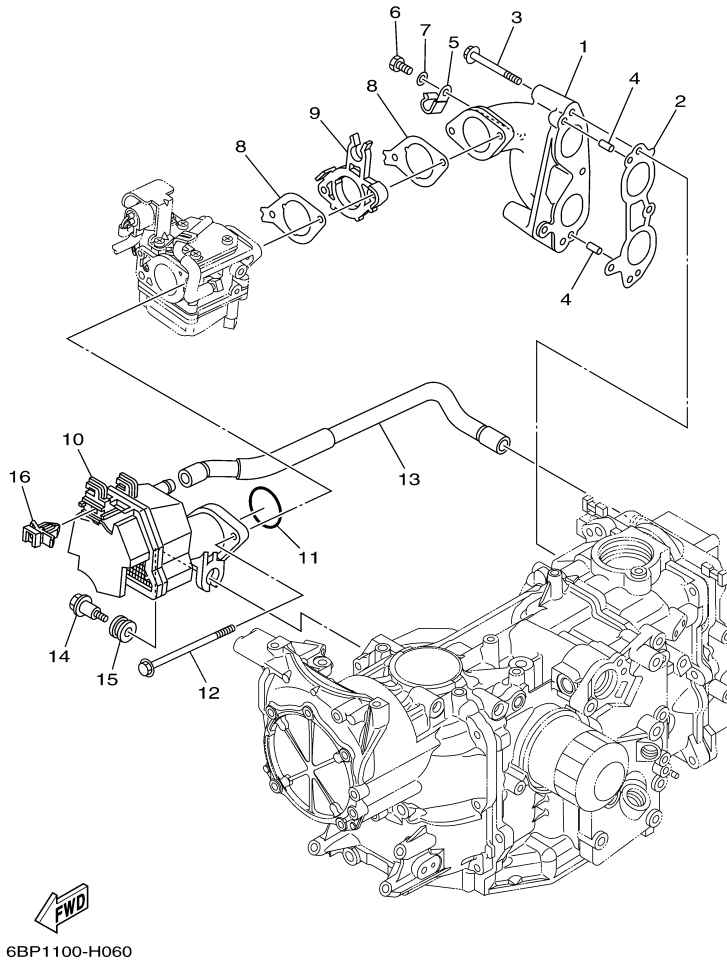
©2014 Yamaha Motor Corporation, U.S.A. All rights reserved.

Part List

T25LA 0113 / VALVE

| REF - NO | PART NUMBER | PART NAME | QUANTITY | REMARKS |
|----------------|-----------------|--------------------------------|----------|---------|
| 1 | 69W-12111-00-00 | VALVE, INTAKE | 2 | |
| 2 | 69W-12121-10-00 | VALVE, EXHAUST | 2 | |
| 3 | 62Y-12116-00-00 | SEAT, VALVE SPRING | 4 | |
| 4 | 51Y-12114-00-00 | SPRING, VALVE OUTER | 4 | |
| 5 | 30X-12117-00-00 | RETAINER, VALVE SPRING | 4 | |
| 6 | 30X-12118-00-00 | LOCK, VALVE SPRING RETAINER | 8 | |
| 7 | 51Y-12119-00-00 | SEAL, VALVE STEM | 4 | |
| 8 | 6BL-12146-00-00 | SHAFT, ROCKER | 1 | |
| 9 | 62Y-12151-00-00 | ARM, VALVE ROCKER | 1 | |
| 10 | 64J-12159-00-00 | SCREW, VALVE ADJUSTING | 1 | |
| 11 | 62Y-12158-00-00 | NUT, LOCK | 1 | |
| 12 | 6C5-12151-00-00 | ARM, VALVE ROCKER | 3 | |
| 13 | 6C5-12159-00-00 | SCREW, VALVE ADJUSTING | 3 | |
| 14 | 6C5-12158-00-00 | NUT, LOCK | 3 | |
| 15 | 6BL-12231-00-00 | GUIDE, STOPPER 1 | 1 | |
| 16 | 6BL-12233-00-00 | PLATE, GUIDE STOPPER 1 | 1 | |
| 17 | 90201-16014-00 | WASHER, PLATE | 4 | |
| 18 | 90105-08060-00 | BOLT, FLANGE | 3 | |
| 19 | 92990-08200-00 | WASHER, PLAIN | 2 | |

T25LA 0113 / INTAKE



©2014 Yamaha Motor Corporation, U.S.A. All rights reserved.

Part List

T25LA 0113 / INTAKE

| REF - NO | PART NUMBER | PART NAME | QUANTITY | REMARKS |
|----------------|-----------------|-----------------------|----------|---------|
| 1 | 6BL-13641-00-94 | MANIFOLD, INTAKE 1 | 1 | |
| 2 | 6BL-13645-00-00 | .GASKET, MANIFOLD 1 | 1 | |
| 3 | 97595-06555-00 | BOLT, WITH WASHER | 4 | |
| 4 | 91690-50014-00 | PIN, SPRING | 2 | |
| 5 | 90465-08M83-00 | CLAMP | 1 | |
| 6 | 97095-06016-00 | BOLT | 1 | |
| 7 | 92995-06600-00 | WASHER | 1 | |
| 8 | 6BL-13646-00-00 | .GASKET, MANIFOLD 2 | 2 | |
| 9 | 6BL-14271-00-00 | INSULATOR | 1 | |
| 10 | 6BL-14440-00-00 | SILENCER ASSY, INTAKE | 1 | |
| 11 | 93210-39ME4-00 | .O-RING | 1 | |
| 12 | 95895-06100-00 | BOLT, FLANGE | 2 | |
| 13 | 6BL-15373-00-00 | PIPE, BREATHER | 1 | |
| 14 | 90109-06MA1-00 | BOLT | 1 | |
| 15 | 90480-16616-00 | GROMMET | 1 | |
| 16 | 90464-09M47-00 | CLAMP | 1 | |

T25LA 0113 / CARBURETOR



©2014 Yamaha Motor Corporation, U.S.A. All rights reserved.


Part List

T25LA 0113 / CARBURETOR

| REF - NO | PART NUMBER | PART NAME | QUANTITY | REMARKS |
|----------------|-----------------|------------------------|----------|---------|
| 1 | 6BL-14301-00-00 | CARBURETOR ASSY 1 | 1 | |
| 2 | 98580-04006-00 | .SCREW, PAN HEAD | 1 | |
| 3 | 65W-14572-00-00 | .PLATE | 1 | |
| 4 | 65W-14126-10-00 | .GASKET | 1 | |
| 5 | 97803-04010-00 | .SCREW, PAN HEAD | 4 | |
| 6 | 676-14948-05-00 | .JET (#45) | 1 | |
| 7 | 679-14966-00-00 | .RUBBER CAP | 1 | |
| 8 | 90501-10326-00 | .SPRING, COMPRESSION | 1 | |
| 9 | 63V-14523-00-00 | .SCREW, STOP | 1 | |
| 10 | 65W-14947-90-00 | .JET, NEEDLE | 1 | |
| 11 | 65W-14943-79-00 | .JET, MAIN (#108) | 1 | |
| 12 | 63V-14985-00-00 | .FLOAT | 1 | |
| 13 | 6AH-14546-00-00 | .VALVE, NEEDLE | 1 | |
| 14 | 663-14159-00-00 | .CLIP | 1 | |
| 15 | 98580-04008-00 | .SCREW, PAN HEAD | 1 | |
| 16 | 6H4-14548-00-00 | .PIN, FLOAT ARM | 1 | |
| 17 | 65W-14373-02-00 | .COVER, PLUNGER CAP | 1 | |
| 18 | 65W-1439G-00-00 | .CLIP 1 | 1 | |
| 19 | 65W-14379-00-00 | .ROD, STARTER | 1 | |
| 20 | 67C-14923-00-00 | .SCREW, PILOT | 1 | |
| 21 | 67C-14397-00-00 | .O-RING | 1 | |
| 22 | 67C-14555-00-00 | .SPRING | 1 | |
| 23 | 65W-14335-00-00 | .SPRING, PLUNGER | 1 | |
| 24 | 65W-14371-00-00 | .PLUNGER, STARTER | 1 | |
| 25 | 65W-14384-00-00 | .GASKET, FLOAT CHAMBER | 1 | |
| 26 | 65W-14980-20-00 | .BODY, FLOAT CHAMBER | 1 | |
| 27 | 65W-14398-00-00 | .GASKET | 1 | |
| 28 | 65W-14992-00-00 | .SCREW, DRAIN | 1 | |
| 29 | 97980-04114-00 | .SCREW, WITH WASHER | 4 | |
| 30 | 6BL-14380-00-00 | .PRIME STARTER ASSY | 1 | |
| 31 | 65W-14346-00-00 | .PLATE | 1 | |
| 32 | 67C-14567-00-00 | .SCREW | 1 | |
| 33 | 67F-14255-00-00 | .PLATE | 1 | |
| 34 | 65W-14807-00-00 | .HOSE COMP | 1 | |
| 35 | 6BL-14346-00-00 | .PLATE | 1 | |
| 36 | 97980-04108-00 | .SCREW, WITH WASHER | 2 | |
| 37 | 67C-1432A-00-00 | .PLUG | 1 | |

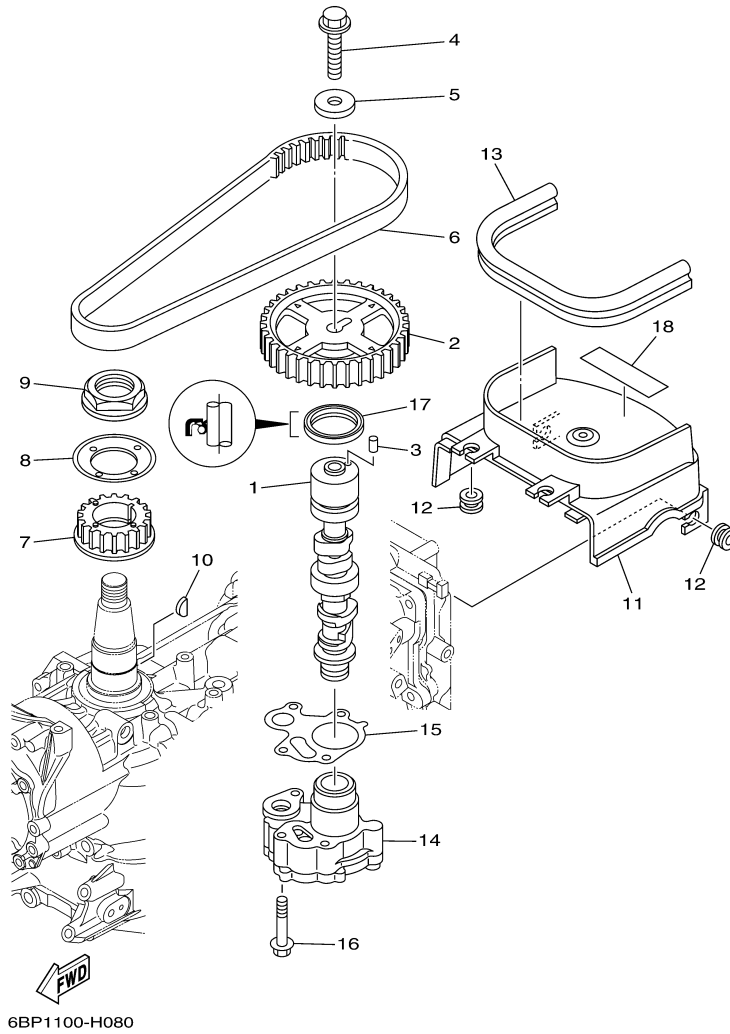
Part Notes

T25LA 0113 / CARBURETOR

| PART NUMBER | NOTE TEXT |
|-----------------|---|
| 6BL-14380-00-00 |  OEM: The O-Ring for sealing this part to the carburetor body is not shown separately. The Part Number for the O-Ring is 93210-17001-00. |

©2014 Yamaha Motor Corporation, U.S.A. All rights reserved.

T25LA 0113 / OIL PUMP



©2014 Yamaha Motor Corporation, U.S.A. All rights reserved.


Part List

T25LA 0113 / OIL PUMP

| REF - NO | PART NUMBER | PART NAME | QUANTITY | REMARKS |
|----------------|-----------------|---------------------|----------|---------|
| 1 | 6BL-12171-00-00 | CAMSHAFT 1 | 1 | |
| 2 | 6C5-11537-00-00 | GEAR, DRIVEN | 1 | |
| 3 | 93605-17002-00 | PIN, DOWEL | 1 | |
| 4 | 95817-10035-00 | BOLT, FLANGE | 1 | |
| 5 | 90201-10144-00 | WASHER, PLATE | 1 | |
| 6 | 6C5-46241-00-00 | BELT | 1 | |
| 7 | 6C5-11536-00-00 | GEAR, DRIVE | 1 | |
| 8 | 62Y-11557-00-00 | WASHER 1 | 1 | |
| 9 | 90179-35001-00 | NUT | 1 | |
| 10 | 90280-03M01-00 | .KEY, WOODRUFF | 1 | |
| 11 | 6BL-46297-00-00 | COVER, DUST | 1 | |
| 12 | 90480-12314-00 | GROMMET | 4 | |
| 13 | 6BL-42617-00-00 | DAMPER, FORM | 1 | |
| 14 | 6BL-13300-00-00 | OIL PUMP ASSY | 1 | |
| 15 | 6C5-13329-00-00 | .GASKET, PUMP COVER | 1 | |
| 16 | 90119-06025-00 | BOLT, WITH WASHER | 4 | |
| 17 | 93102-37M40-00 | .OIL SEAL | 1 | |
| 18 | 6BP-13437-50-00 | MARK, CAUTION | 1 | |

Part Notes

T25LA 0113 / OIL PUMP

| PART NUMBER | NOTE TEXT |
|---|---|
| 90480-12314-00  | OEM: GROMMET used on F115TLR and F/LF115TXR 0510 Production and Later |

©2014 Yamaha Motor Corporation, U.S.A. All rights reserved.


Part List

T25LA 0113 / FUEL

| REF - NO | PART NUMBER | PART NAME | QUANTITY | REMARKS |
|----------------|-----------------|-------------------------|----------|---------|
| 1 | 62Y-24410-04-00 | FUEL PUMP ASSY | 1 | |
| 2 | 62Y-24415-01-00 | .BODY 4 | 1 | |
| 3 | 62Y-24411-02-00 | .DIAPHRAGM | 1 | |
| 4 | 62Y-24423-00-00 | .SPRING, DIAPHRAGM | 1 | |
| 5 | 62Y-13131-01-00 | .PLUNGER | 1 | |
| 6 | 62Y-24454-00-00 | .SPRING | 1 | |
| 7 | 62Y-24444-01-00 | .SCREW | 4 | |
| 8 | 6C5-24471-00-00 | .DIAPHRAGM | 1 | |
| 9 | 95380-05600-00 | .NUT | 4 | |
| 10 | 62Y-24374-01-00 | .PIN | 1 | |
| 11 | 6C5-24414-00-00 | .BODY 3 | 1 | |
| 12 | 93210-24M79-00 | .O-RING | 1 | |
| 13 | 90109-06266-00 | BOLT | 2 | |
| 14 | 61N-24560-10-00 | FILTER ASSY | 1 | |
| 15 | 61N-24521-00-00 | .CUP, FILTER | 1 | |
| 16 | 61N-24563-10-00 | .ELEMENT, FILTER | 1 | |
| 17 | 93210-32738-00 | .O-RING | 1 | |
| 18 | 6D5-24566-00-00 | BRACKET, FILTER | 1 | |
| 19 | 95895-08016-00 | BOLT, FLANGE | 1 | |
| 20 | 95380-08600-00 | NUT | 1 | |
| 21 | 6BL-24481-00-00 | PLUG | 1 | |
| 22 | 90465-11M10-00 | CLAMP | 1 | |
| 23 | 6BL-24311-10-00 | PIPE, FUEL 1 | 1 | |
| 24 | 90445-10050-00 | HOSE (L150) | 1 | |
| 25 | 90445-10053-00 | HOSE (L350) | 1 | |
| 26 | 90464-11009-00 | CLAMP | 1 | |
| 27 | 90467-09M17-00 | CLIP | 4 | |
| 28 | 90467-10M04-00 | CLIP | 2 | |
| 29 | 90464-11009-00 | CLAMP | 1 | |
| 30 | 90446-15003-00 | HOSE (L100) | 2 | |
| 31 | 90464-13227-00 | CLAMP | 4 | |
| 32 | 6YL-24304-01-00 | FUEL PIPE JOINT COMP. 1 | 1 | |
| 33 | 97095-06025-00 | BOLT | 1 | |
| 34 | 92995-06600-00 | WASHER | 1 | |
| 35 | 61N-24329-00-00 | SEAL | 1 | |

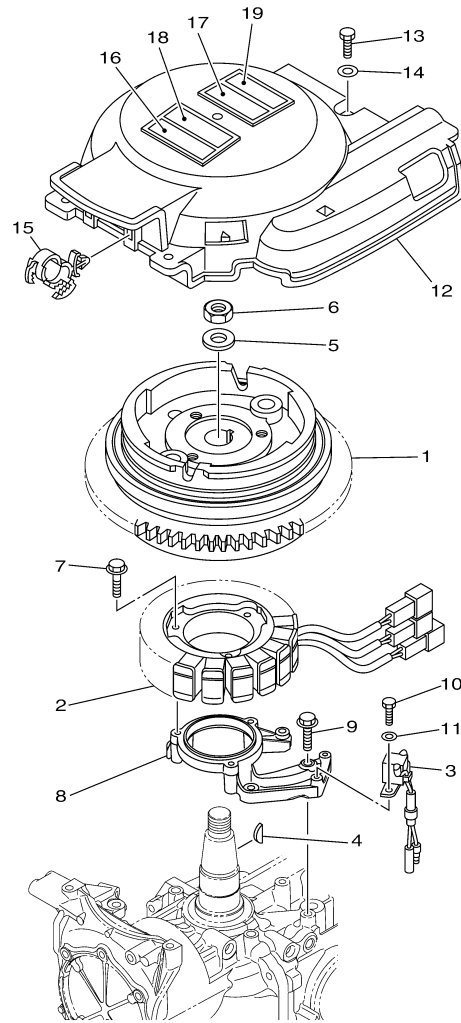
Part Notes

T25LA 0113 / FUEL

| PART NUMBER | NOTE TEXT |
|---|--|
| 61N-24563-10-00  | OEM: This part number is among the Top 100 Most Popular Marine Maintenance Parts as of March 2014. |

©2014 Yamaha Motor Corporation, U.S.A. All rights reserved.

T25LA 0113 / GENERATOR



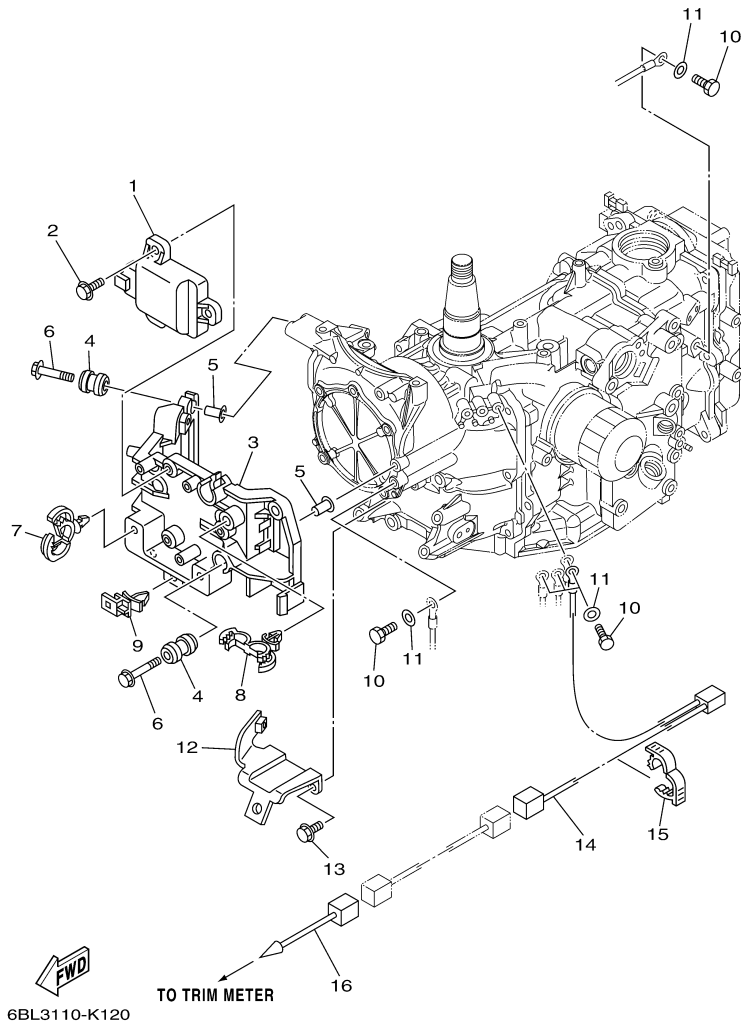
©2014 Yamaha Motor Corporation, U.S.A. All rights reserved.

Part List

T25LA 0113 / GENERATOR

| REF - NO | PART NUMBER | PART NAME | QUANTITY | REMARKS |
|----------------|-----------------|-----------------|----------|---------|
| 1 | 6BL-85550-00-00 | ROTOR ASSY | 1 | |
| 2 | 6BL-85510-00-00 | STATOR ASSY | 1 | |
| 3 | 6AH-85580-00-00 | COIL, PULSER | 1 | |
| 4 | 6H4-11545-00-00 | KEY, WOODRUFF | 1 | |
| 5 | 90201-21M18-00 | WASHER, PLATE | 1 | |
| 6 | 90170-20137-00 | NUT | 1 | |
| 7 | 95023-06030-00 | BOLT | 3 | |
| 8 | 6BG-85561-00-94 | BASE, MAGNETO | 1 | |
| 9 | 95023-06025-00 | BOLT | 4 | |
| 10 | 97095-05016-00 | .BOLT | 2 | |
| 11 | 92995-05600-00 | WASHER | 2 | |
| 12 | 6BL-81337-00-00 | COVER, FLYWHEEL | 1 | |
| 13 | 97095-06020-00 | BOLT | 3 | |
| 14 | 92995-06600-00 | WASHER | 3 | |
| 15 | 90464-12183-00 | CLAMP | 2 | |
| 16 | 6AH-81994-40-00 | LABEL, SAFETY | 1 | |
| 17 | 6AH-81995-40-00 | LABEL, WARNING | 1 | |
| 18 | 6AH-81994-50-00 | LABEL, SAFETY | 1 | |
| 19 | 6AH-81995-50-00 | LABEL, WARNING | 1 | |

T25LA 0113 / ELECTRICAL 1



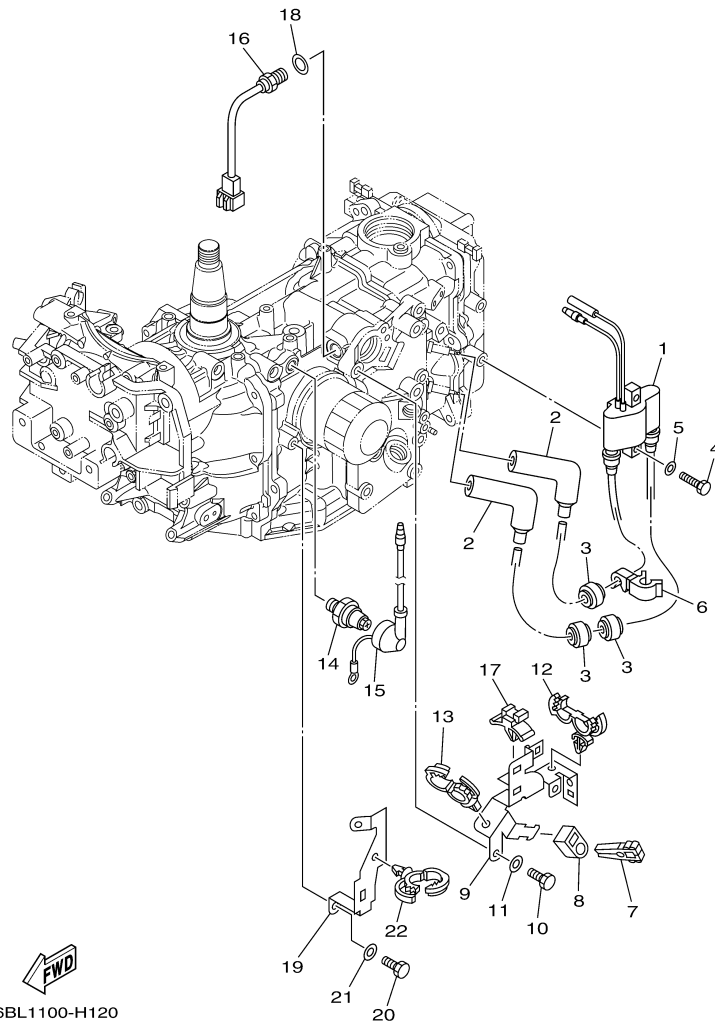
©2014 Yamaha Motor Corporation, U.S.A. All rights reserved.

Part List

T25LA 0113 / ELECTRICAL 1

| REF - NO | PART NUMBER | PART NAME | QUANTITY | REMARKS |
|----------------|-----------------|-----------------------|----------|---------|
| 1 | 6BL-85540-00-00 | C.D.I. UNIT ASSY | 1 | |
| 2 | 97575-06520-00 | BOLT, WITH WASHER | 3 | |
| 3 | 6BL-81948-00-00 | BRACKET | 1 | |
| 4 | 6A0-82317-00-00 | DAMPER, IGNITION COIL | 4 | |
| 5 | 90387-06119-00 | COLLAR | 4 | |
| 6 | 95895-06030-00 | BOLT, FLANGE | 4 | |
| 7 | 90464-12183-00 | CLAMP | 2 | |
| 8 | 90464-18246-00 | CLAMP | 2 | |
| 9 | 90464-12002-00 | .CLAMP | 1 | |
| 10 | 97095-06016-00 | BOLT | 5 | |
| 11 | 92995-06600-00 | WASHER | 5 | |
| 12 | 6BL-82554-00-00 | STAY, NEUTRAL SWITCH | 1 | |
| 13 | 95895-06014-00 | BOLT, FLANGE | 2 | |
| 14 | 6BL-82553-00-00 | EXTENSION, WIRE LEAD | 1 | |
| 15 | 90464-18004-00 | CLAMP | 1 | |
| 16 | 6BL-8350U-00-00 | WIRE, LEAD | 1 | AP |

T25LA 0113 / ELECTRICAL 2



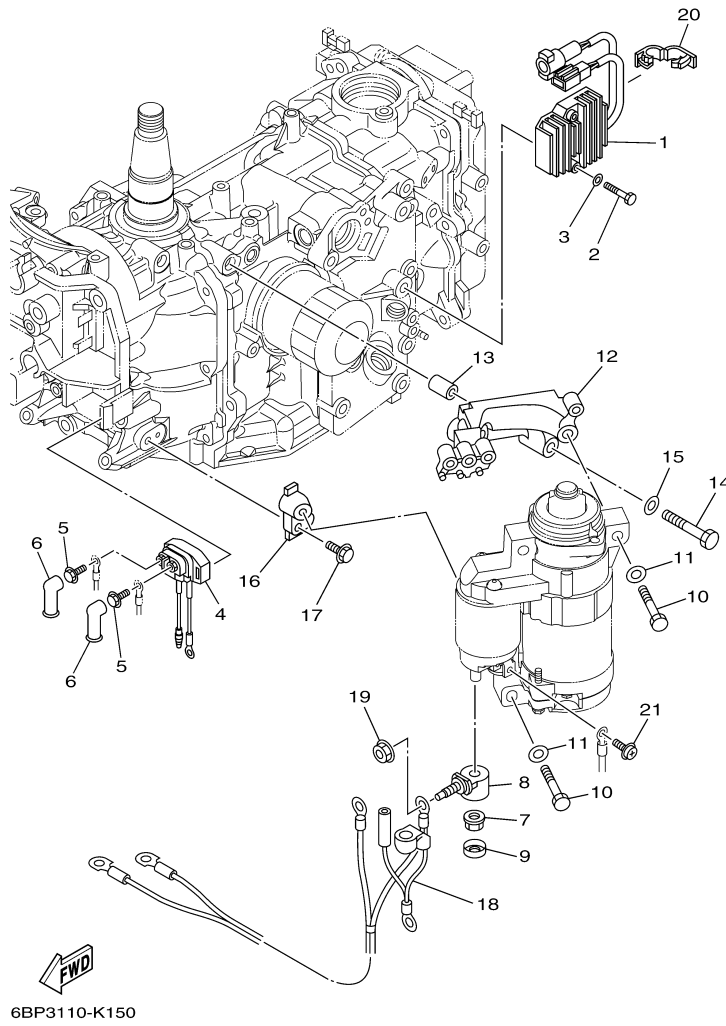
©2014 Yamaha Motor Corporation, U.S.A. All rights reserved.

Part List

T25LA 0113 / ELECTRICAL 2

| REF - NO | PART NUMBER | PART NAME | QUANTITY | REMARKS |
|----------------|-----------------|--------------------------|----------|---------|
| 1 | 6F5-85570-13-00 | IGNITION COIL ASSY | 1 | |
| 2 | 6AH-82370-00-00 | PLUG CAP ASSY | 2 | |
| 3 | 90480-25003-00 | GROMMET | 3 | |
| 4 | 97095-06025-00 | BOLT | 2 | |
| 5 | 92995-06600-00 | WASHER | 2 | |
| 6 | 90464-09018-00 | CLAMP | 1 | |
| 7 | 67F-2812A-00-00 | .PULLER, FUSE | 1 | |
| 8 | 67C-82155-00-00 | BAND | 1 | |
| 9 | 6BL-8339X-00-00 | CLAMP, CORD | 1 | |
| 10 | 97095-06016-00 | BOLT | 2 | |
| 11 | 92995-06600-00 | WASHER | 2 | |
| 12 | 90464-18246-00 | CLAMP | 1 | |
| 13 | 90464-20181-00 | CLAMP | 1 | |
| 14 | 64J-82504-00-00 | OIL PRESSURE SWITCH ASSY | 1 | |
| 15 | 68V-81315-00-00 | LEAD WIRE ASSY | 1 | |
| 16 | 6CJ-85790-00-00 | THERMOSENSOR ASSY | 1 | |
| 17 | 90464-09M47-00 | CLAMP | 1 | |
| 18 | 90430-14115-00 | .GASKET | 1 | |
| 19 | 6BL-82389-00-00 | PLATE 2 | 1 | |
| 20 | 97095-06016-00 | BOLT | 2 | |
| 21 | 92995-06600-00 | WASHER | 2 | |
| 22 | 90464-20181-00 | CLAMP | 1 | |

T25LA 0113 / ELECTRICAL 3



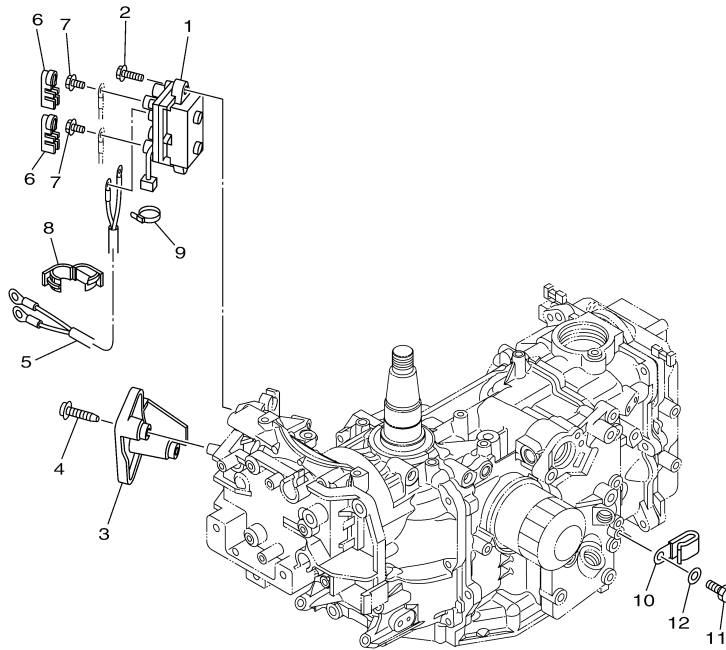
©2014 Yamaha Motor Corporation, U.S.A. All rights reserved.

Part List

T25LA 0113 / ELECTRICAL 3

| REF - NO | PART NUMBER | PART NAME | QUANTITY | REMARKS |
|----------------|-----------------|-------------------------------|----------|---------|
| 1 | 6BL-81960-00-00 | RECTIFIER & REGULATOR ASSY | 1 | |
| 2 | 97095-06040-00 | .BOLT | 2 | |
| 3 | 92995-06600-00 | WASHER | 2 | |
| 4 | 68T-81940-00-00 | STARTER RELAY ASSY | 1 | |
| 5 | 97595-06610-00 | BOLT, WITH WASHER | 2 | |
| 6 | 6G5-82119-10-00 | COVER, LEAD WIRE | 2 | |
| 7 | 6BL-8182A-00-00 | NUT | 1 | |
| 8 | 6BL-81925-00-00 | TERMINAL | 1 | |
| 9 | 6BL-8183X-00-00 | CAP, TERMINAL | 1 | |
| 10 | 97013-08045-00 | BOLT | 3 | |
| 11 | 92903-08600-00 | WASHER, PLATE | 3 | |
| 12 | 6BL-81822-00-00 | BRACKET, STARTING MOTOR | 1 | |
| 13 | 99590-10114-00 | .PIN, DOWEL | 2 | |
| 14 | 97013-08045-00 | BOLT | 2 | |
| 15 | 92903-08600-00 | WASHER, PLATE | 2 | |
| 16 | 6BL-81823-00-00 | STAY, STARTING MOTOR | 1 | |
| 17 | 97575-06520-00 | BOLT, WITH WASHER | 1 | |
| 18 | 6BL-82105-U0-00 | BATTERY CABLE | 1 | |
| 19 | 90179-08003-00 | NUT | 1 | |
| 20 | 90464-18004-00 | CLAMP | 1 | |
| 21 | 90159-05M12-00 | SCREW, WITH WASHER | 1 | |

T25LA 0113 / ELECTRICAL 4



6BP3110-K160

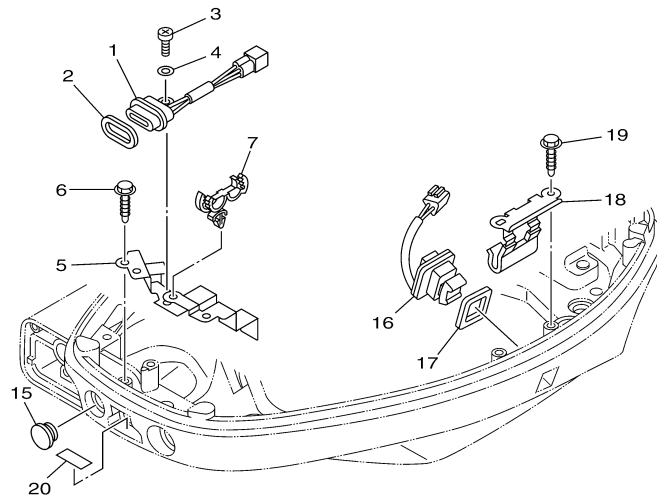
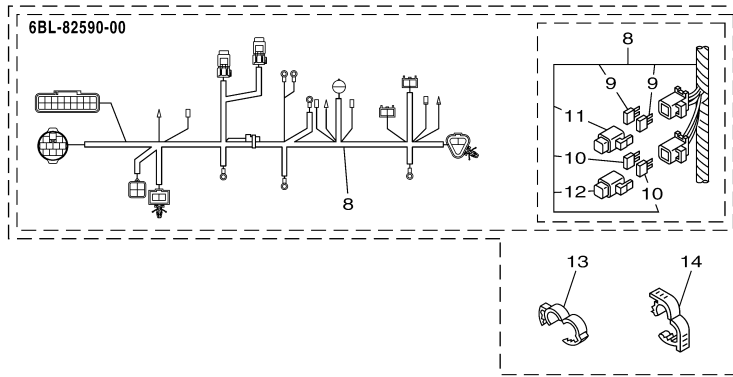
©2014 Yamaha Motor Corporation, U.S.A. All rights reserved.

Part List

T25LA 0113 / ELECTRICAL 4

| REF - NO | PART NUMBER | PART NAME | QUANTITY | REMARKS |
|----------------|-----------------|-------------------|----------|---------|
| 1 | 63P-81950-00-00 | RELAY ASSY | 1 | |
| 2 | 97575-06520-00 | BOLT, WITH WASHER | 2 | |
| 3 | 6BL-81942-00-00 | COVER | 1 | |
| 4 | 90167-05009-00 | SCREW, TAPPING | 2 | |
| 5 | 6BL-81949-00-00 | WIRE, LEAD | 1 | |
| 6 | 6P2-8183X-00-00 | CAP, TERMINAL | 2 | |
| 7 | 97595-06610-00 | BOLT, WITH WASHER | 2 | |
| 8 | 90464-18004-00 | CLAMP | 1 | |
| 9 | 90465-11M10-00 | CLAMP | 2 | |
| 10 | 90465-06M90-00 | CLAMP | 1 | |
| 11 | 97095-06016-00 | BOLT | 1 | |
| 12 | 92995-06600-00 | WASHER | 1 | |

T25LA 0113 / ELECTRICAL 5



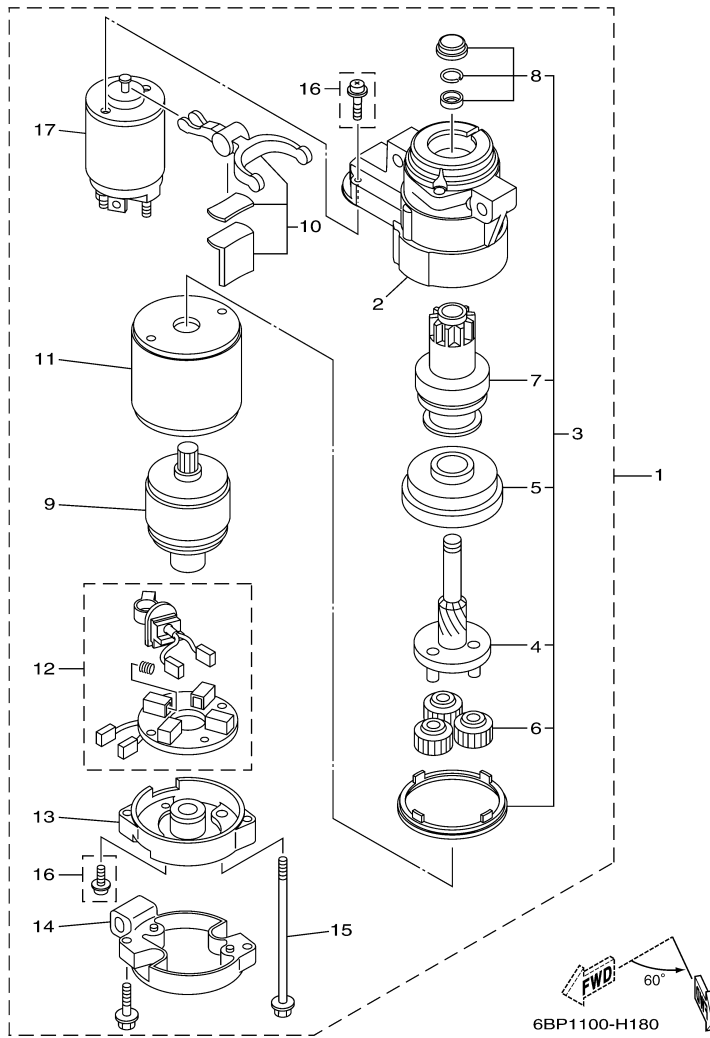
6BL1100-H150

Part List

T25LA 0113 / ELECTRICAL 5

| REF - NO | PART NUMBER | PART NAME | QUANTITY | REMARKS |
|----------------|-----------------|-------------------------|----------|---------|
| 1 | 62Y-84301-00-00 | PILOT LIGHT ASSY 1 | 1 | |
| 2 | 6H4-83589-00-00 | GASKET | 1 | |
| 3 | 97885-06012-00 | SCREW, PAN HEAD | 1 | |
| 4 | 92995-06600-00 | WASHER | 1 | |
| 5 | 6BL-82388-00-00 | PLATE | 1 | |
| 6 | 90109-06M86-00 | BOLT | 2 | |
| 7 | 90464-18246-00 | CLAMP | 1 | |
| 8 | 6BL-82590-00-00 | WIRE HARNESS ASSY | 1 | |
| 9 | 67F-82151-00-00 | .FUSE (20A) | 2 | |
| 10 | 67F-82151-10-00 | .FUSE (30A) | 2 | |
| 11 | 67F-8215B-10-00 | .CAP (YELLOW) | 1 | |
| 12 | 67F-8215B-20-00 | .CAP (GREEN) | 1 | |
| 13 | 90464-16001-00 | CLAMP | 1 | |
| 14 | 90464-18004-00 | CLAMP | 1 | |
| 15 | 6G1-42725-00-00 | GROMMET | 1 | |
| 16 | 69J-82563-00-00 | TRIM & TILT SWITCH ASSY | 1 | |
| 17 | 69J-82587-00-00 | GASKET | 1 | |
| 18 | 63P-83614-01-00 | BRACKET | 1 | |
| 19 | 90109-06M86-00 | BOLT | 2 | |
| 20 | 67C-85415-00-00 | MARK, SIGNAL LAMP | 1 | |

T25LA 0113 / STARTING MOTOR



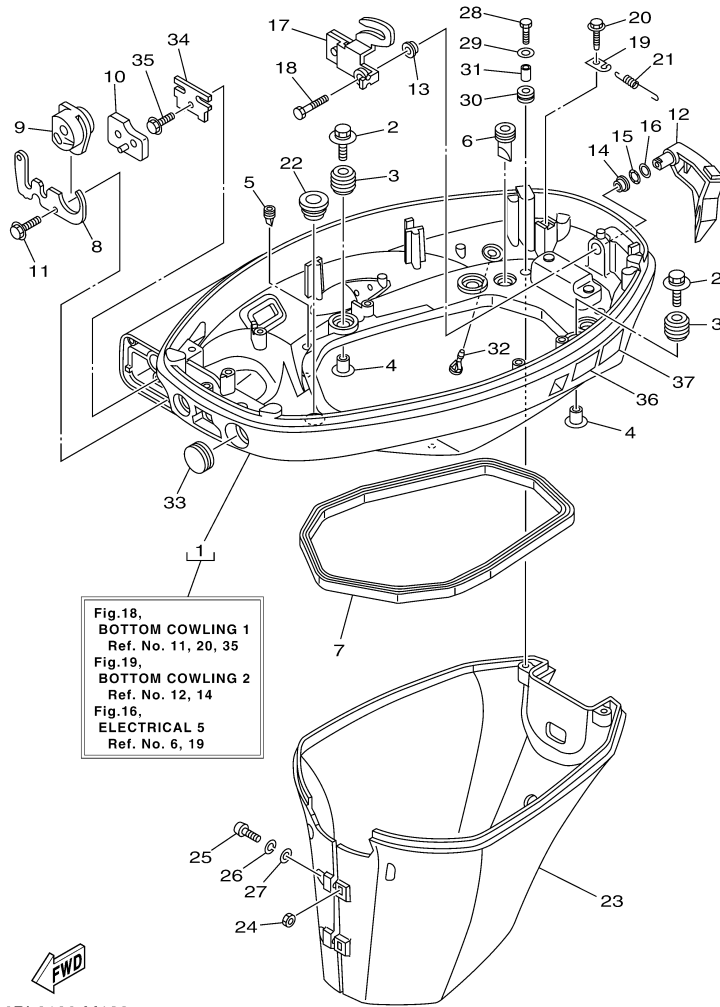
©2014 Yamaha Motor Corporation, U.S.A. All rights reserved.

Part List

T25LA 0113 / STARTING MOTOR

| REF - NO | PART NUMBER | PART NAME | QUANTITY | REMARKS |
|----------------|-----------------|-------------------------------|----------|---------|
| 1 | 6BG-81800-00-00 | STARTING MOTOR ASSY | 1 | |
| 2 | 6BG-81830-00-00 | .FRONT BRACKET ASSY | 1 | |
| 3 | 6BG-81807-00-00 | .GEAR ASSY, STARTING MOTOR | 1 | |
| 4 | 6BG-81836-00-00 | ..SPRING, LEVER | 1 | |
| 5 | 6BG-81891-00-00 | ..GEAR, RING | 1 | |
| 6 | 6AW-8183T-00-00 | ..GEAR, IDLER | 3 | |
| 7 | 6BG-81832-00-00 | ..CLUTCH, OVER RUN | 1 | |
| 8 | 6BG-81857-00-00 | ..RETAINER | 1 | |
| 9 | 6BG-81850-00-00 | .ARMATURE ASSY | 1 | |
| 10 | 6BG-81839-00-00 | .LEVER ASSY | 1 | |
| 11 | 6BG-81810-00-00 | .STATOR ASSY | 1 | |
| 12 | 6BG-81840-00-00 | .BRUSH HOLDER ASSY | 1 | |
| 13 | 6BG-81820-00-00 | .REAR BRACKET ASSY | 1 | |
| 14 | 6BG-8182J-00-00 | .BRACKET COMPLETE | 1 | |
| 15 | 6BG-81826-00-00 | .BOLT | 2 | |
| 16 | 6BG-81846-00-00 | .SCREW SET | 1 | |
| 17 | 6BG-81941-00-00 | .STARTER RELAY ASSY | 1 | |

T25LA 0113 / BOTTOM COWLING 1



6BL6100-M180


Part List

T25LA 0113 / BOTTOM COWLING 1

| REF - NO | PART NUMBER | PART NAME | QUANTITY | REMARKS |
|----------|-----------------|--------------------------|----------|---------|
| 1 | 6BP-42710-00-4D | BOTTOM COWLING ASSY | 1 | |
| 2 | 90119-06M61-00 | BOLT, WITH WASHER | 4 | |
| 3 | 6BG-42748-00-00 | GROMMET | 4 | |
| 4 | 90387-06M69-00 | COLLAR | 4 | |
| 5 | 65W-42717-00-00 | RUBBER, SEAL 2 | 2 | |
| 6 | 61A-42717-00-00 | RUBBER, SEAL 2 | 2 | |
| 7 | 62Y-42716-00-00 | RUBBER, SEAL 1 | 1 | |
| 8 | 6BL-42761-00-00 | .STOPPER | 1 | |
| 9 | 6BL-42725-01-00 | GROMMET | 1 | |
| 10 | 6BL-42727-00-00 | .GROMMET | 1 | |
| 11 | 90109-06M86-00 | BOLT | 2 | |
| 12 | 6BL-42815-00-4D | LEVER, CLAMP | 1 | |
| 13 | 90386-12M37-00 | BUSH | 1 | |
| 14 | 90386-12MA2-00 | BUSH | 1 | |
| 15 | 90206-12052-00 | WASHER, WAVE | 1 | |
| 16 | 90201-12M07-00 | WASHER, PLATE | 1 | |
| 17 | 6BG-42816-00-00 | LEVER, CLAMP | 1 | |
| 18 | 97095-06012-00 | BOLT | 1 | |
| 19 | 66T-43144-00-00 | HOOK, SPRING | 1 | |
| 20 | 90109-06M86-00 | BOLT | 1 | |
| 21 | 90506-18023-00 | SPRING, TENSION | 1 | |
| 22 | 68U-42727-00-00 | GROMMET | 1 | |
| 23 | 6BG-42741-10-4D | APRON | 1 | |
| 24 | 95380-06600-00 | NUT, HEXAGON | 2 | |
| 25 | 97880-06025-00 | SCREW, PAN HEAD | 2 | |
| 26 | 92990-06100-00 | .WASHER, SPRING | 2 | |
| 27 | 92990-06600-00 | WASHER, PLATE | 2 | |
| 28 | 97095-06014-00 | BOLT | 2 | |
| 29 | 92995-06600-00 | WASHER | 2 | |
| 30 | 90480-13M24-00 | GROMMET | 2 | |
| 31 | 90387-06M43-00 | COLLAR | 2 | |
| 32 | 6BL-44391-00-00 | NIPPLE, HOSE | 1 | |
| 33 | 65W-42726-10-00 | .GROMMET | 1 | |
| 34 | 6BL-48538-00-00 | .CLAMP, CABLE 1 | 1 | |
| 35 | 90109-06M86-00 | BOLT | 1 | |
| 36 | 6AH-42794-40-00 | LABEL, WARNING (GENERAL) | 1 | |
| 37 | 6AH-42794-50-00 | LABEL, WARNING (GENERAL) | 1 | |

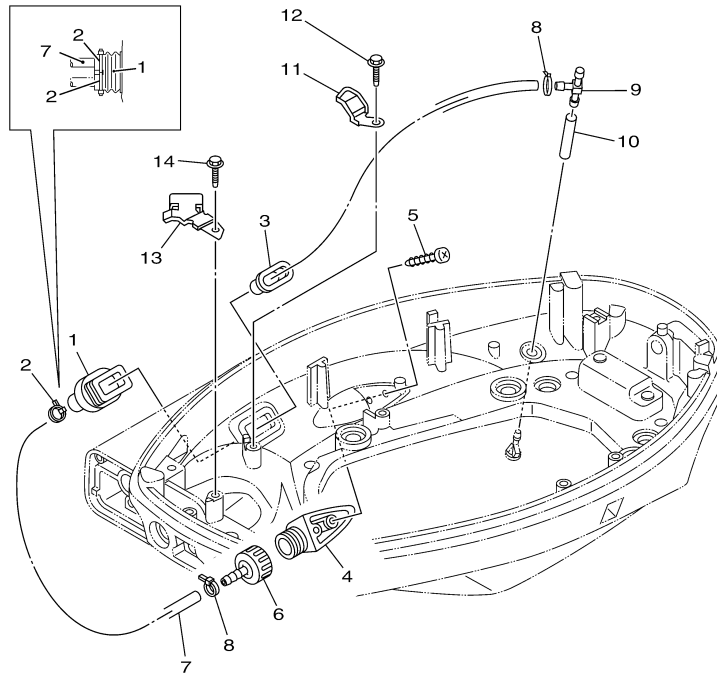
Part Notes

T25LA 0113 / BOTTOM COWLING 1

| PART NUMBER | NOTE TEXT |
|--|--|
| 92990-06600-00  | OEM: This part number is among the Top 100 Most Popular Marine Maintenance Parts as of March 2014. |

©2014 Yamaha Motor Corporation, U.S.A. All rights reserved.

T25LA 0113 / BOTTOM COWLING 2



6BL1100-H180

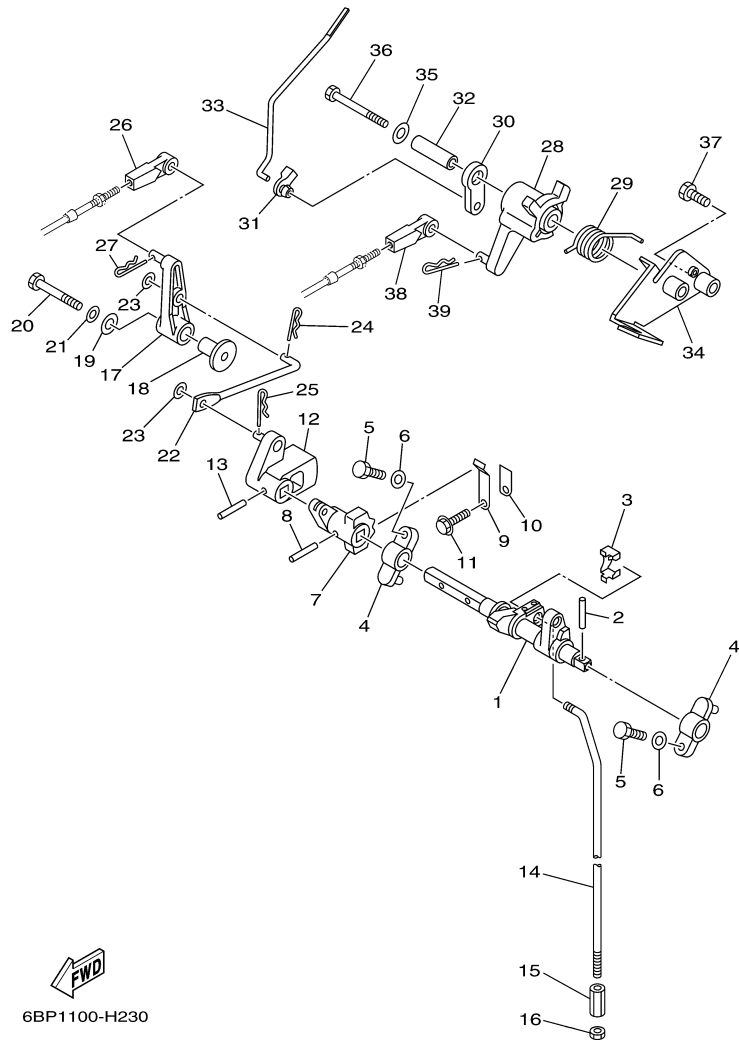
©2014 Yamaha Motor Corporation, U.S.A. All rights reserved.

Part List

T25LA 0113 / BOTTOM COWLING 2

| REF - NO | PART NUMBER | PART NAME | QUANTITY | REMARKS |
|----------------|-----------------|----------------|----------|---------|
| 1 | 6H1-42726-21-00 | GROMMET | 1 | |
| 2 | 90465-11M10-00 | CLAMP | 2 | |
| 3 | 6BG-42384-00-00 | SEAL, CAP | 1 | |
| 4 | 6AW-12572-00-00 | ADAPTER | 1 | |
| 5 | 97780-60520-00 | SCREW, TAPPING | 2 | |
| 6 | 6R3-12580-00-00 | JOINT ASSY | 1 | |
| 7 | 90445-11153-00 | HOSE (L460) | 1 | |
| 8 | 90465-11M10-00 | CLAMP | 2 | |
| 9 | 6C5-24378-00-00 | PIPE, JOINT 3 | 1 | |
| 10 | 90445-09057-00 | HOSE (L43) | 1 | |
| 11 | 6BL-24396-00-00 | PLATE | 1 | |
| 12 | 90109-06M86-00 | BOLT | 1 | |
| 13 | 6BL-24364-00-00 | STAY | 1 | |
| 14 | 90109-06M86-00 | BOLT | 1 | |

T25LA 0113 / CONTROL



FWD
6BP1100-H230

©2014 Yamaha Motor Corporation, U.S.A. All rights reserved.



Part List

T25LA 0113 / CONTROL

| REF - NO | PART NUMBER | PART NAME | QUANTITY | REMARKS |
|----------------|-----------------|----------------------------|----------|---------|
| 1 | 6BL-44121-00-00 | LEVER, SHIFT ROD | 1 | |
| 2 | 90254-03M05-00 | PIN, SPRING | 1 | |
| 3 | 6AH-26364-00-00 | END, CABLE 2 | 1 | |
| 4 | 6G1-41662-01-94 | BRACKET 2 | 2 | |
| 5 | 97095-06020-00 | BOLT | 2 | |
| 6 | 92995-06600-00 | WASHER | 2 | |
| 7 | 6BL-44173-00-00 | LEVER, SHIFT CONTROL | 1 | |
| 8 | 90254-03M05-00 | PIN, SPRING | 1 | |
| 9 | 65W-44116-00-00 | SPRING | 1 | |
| 10 | 66R-44114-00-00 | STOPPER | 1 | |
| 11 | 95895-06014-00 | BOLT, FLANGE | 1 | |
| 12 | 6BL-44142-00-00 | JOINT | 1 | |
| 13 | 90254-03M05-00 | PIN, SPRING | 1 | |
| 14 | 6BL-44143-00-00 | ROD, SHIFT | 1 | |
| 15 | 67C-44146-00-00 | CONNECTOR, SHIFT ROD | 1 | |
| 16 | 95380-06700-00 | NUT | 1 | |
| 17 | 6BL-44125-00-00 | .LEVER, SHIFT ROD | 1 | |
| 18 | 90387-06M86-00 | .COLLAR | 1 | |
| 19 | 90201-06M31-00 | .WASHER, PLATE | 1 | |
| 20 | 97095-06035-00 | BOLT | 1 | |
| 21 | 92995-06600-00 | WASHER | 1 | |
| 22 | 6BL-44192-00-00 | .LINK, SHIFT ROD | 1 | |
| 23 | 90201-05M06-00 | .WASHER, PLATE | 2 | |
| 24 | 90468-10005-00 | CLIP | 1 | |
| 25 | 90468-18001-00 | CLIP | 1 | |
| 26 | 663-48344-00-00 | .CABLE END, REMOTE CONTROL | 1 | |
| 27 | 90468-18008-00 | CLIP | 1 | |
| 28 | 6BL-41638-00-00 | .PULLEY | 1 | |
| 29 | 90508-20040-00 | .SPRING, TORSION | 1 | |
| 30 | 65W-41283-00-00 | .LEVER, FREE ACCEL. | 1 | |
| 31 | 6J8-41262-00-00 | JOINT, CHOKE LEVER | 1 | |
| 32 | 90387-06139-00 | .COLLAR | 1 | |
| 33 | 6BL-41211-00-00 | .LINK, ACCEL. | 1 | |
| 34 | 6BL-14571-10-00 | .BRACKET, THROTTLE | 1 | |
| 35 | 90201-06M31-00 | .WASHER, PLATE | 1 | |
| 36 | 97095-06065-00 | .BOLT | 1 | |
| 37 | 97095-06025-00 | BOLT | 1 | |
| 38 | 663-48344-00-00 | .CABLE END, REMOTE CONTROL | 1 | |
| 39 | 90468-18008-00 | CLIP | 1 | |

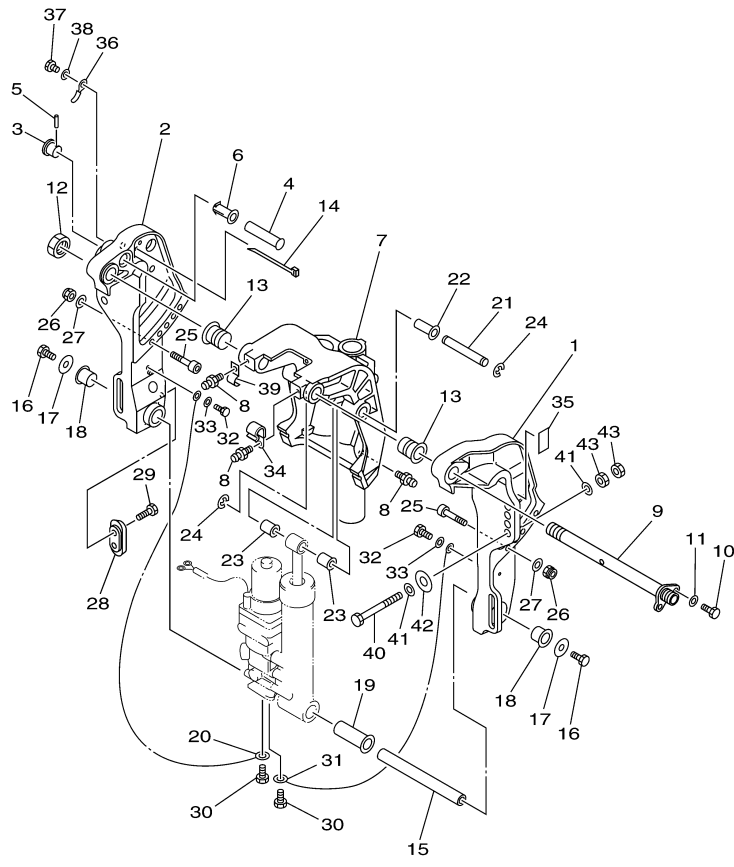
Part Notes

T25LA 0113 / CONTROL

| PART NUMBER | | NOTE TEXT |
|----------------|---|--|
| 90468-18008-00 |  | OEM: This part number is among the Top 100 Most Popular Marine Maintenance Parts as of March 2014. |
| 90468-18008-00 |  | OEM: This part number is among the Top 100 Most Popular Marine Maintenance Parts as of March 2014. |

©2014 Yamaha Motor Corporation, U.S.A. All rights reserved.

T25LA 0113 / BRACKET 1



6BL3100-K200

©2014 Yamaha Motor Corporation, U.S.A. All rights reserved.


Part List

T25LA 0113 / BRACKET 1

| REF - NO | PART NUMBER | PART NAME | QUANTITY | REMARKS |
|----------|-----------------|---------------------------|----------|---------|
| 1 | 6K9-43111-10-4D | BRACKET, CLAMP 1 | 1 | |
| 2 | 6BG-43112-10-4D | BRACKET, CLAMP 2 | 1 | |
| 3 | 65W-43192-00-00 | KNOB, STOPPER | 1 | |
| 4 | 65W-43191-00-00 | SHAFT, STOPPER | 1 | |
| 5 | 91690-30018-00 | PIN, SPRING | 1 | |
| 6 | 90386-14MA1-00 | BUSH | 1 | |
| 7 | 6BG-43311-10-4D | BRACKET, SWIVEL 1 | 1 | |
| 8 | 93700-06M03-00 | NIPPLE, GREASE | 3 | |
| 9 | 6K9-43131-01-00 | BOLT, CLAMP BRACKET | 1 | |
| 10 | 97095-08020-00 | BOLT | 1 | |
| 11 | 92995-08600-00 | WASHER | 1 | |
| 12 | 90185-22M11-00 | NUT, SELF-LOCKING | 1 | |
| 13 | 90386-22MA4-00 | BUSH | 2 | |
| 14 | 90465-13M11-00 | CLAMP | 2 | |
| 15 | 90249-18M35-00 | PIN | 1 | |
| 16 | 97080-08016-00 | BOLT | 2 | |
| 17 | 90201-08M00-00 | WASHER, PLATE | 2 | |
| 18 | 90386-18M44-00 | BUSH | 2 | |
| 19 | 90386-18MA0-00 | BUSH | 1 | |
| 20 | 6H1-82148-00-00 | WIRE, LEAD 4 | 1 | |
| 21 | 90249-12M38-00 | PIN | 1 | |
| 22 | 90381-12M10-00 | BUSH, SOLID | 1 | |
| 23 | 90381-12M11-00 | BUSH, SOLID | 2 | |
| 24 | 99080-10600-00 | CIRCLIP | 2 | |
| 25 | 90110-10M02-00 | BOLT, HEXAGON SOCKET HEAD | 2 | |
| 26 | 90185-10M13-00 | NUT, SELF-LOCKING | 2 | |
| 27 | 92995-10600-00 | WASHER | 2 | |
| 28 | 65W-45251-00-00 | ANODE | 1 | |
| 29 | 90101-06020-00 | BOLT | 2 | |
| 30 | 97085-06010-00 | BOLT | 2 | |
| 31 | 6U0-82127-00-00 | WIRE, LEAD 2 | 1 | |
| 32 | 97095-06014-00 | BOLT | 2 | |
| 33 | 92995-06600-00 | WASHER | 2 | |
| 34 | 90465-08M07-00 | CLAMP | 1 | |
| 35 | 63V-82377-50-00 | LABEL (SPARK,IGNITION) | 1 | |
| 36 | 90465-10M77-00 | CLAMP | 1 | |
| 37 | 97095-06014-00 | BOLT | 1 | |
| 38 | 92995-06600-00 | WASHER | 1 | |
| 39 | 90465-08M63-00 | CLAMP | 1 | |
| 40 | 90101-12M65-00 | BOLT | 4 | |
| 41 | 90201-12062-00 | WASHER, PLATE | 8 | |
| 42 | 90201-12426-00 | WASHER, PLATE | 4 | |
| 43 | 95380-12600-00 | NUT | 8 | |

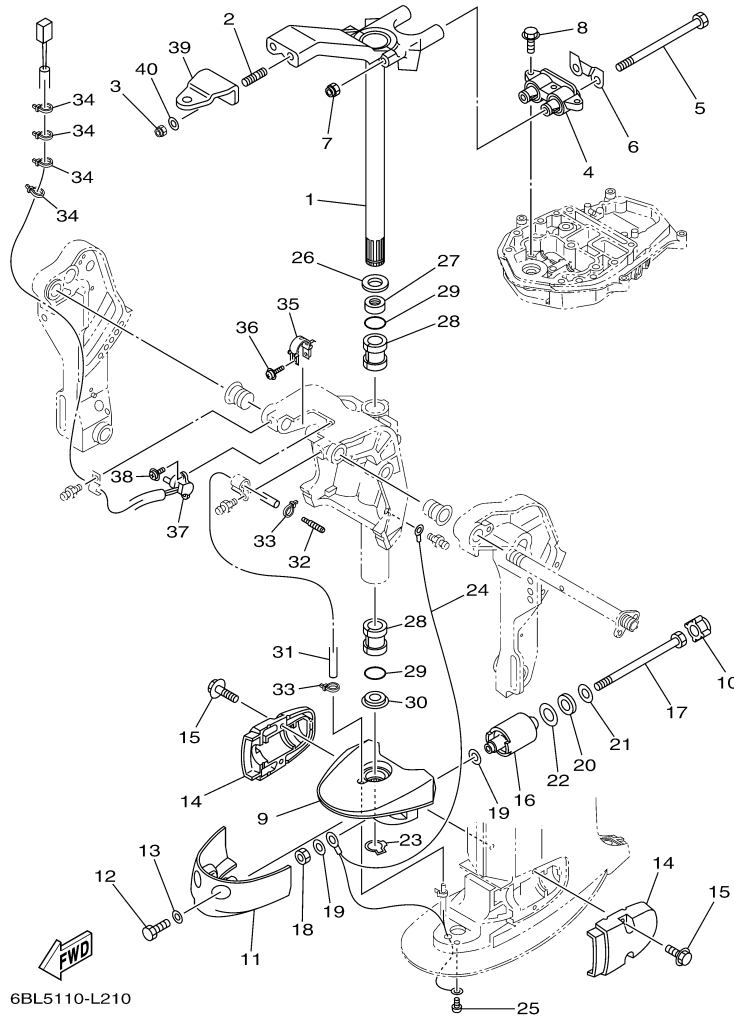
Part Notes

T25LA 0113 / BRACKET 1

| PART NUMBER | NOTE TEXT |
|---|--|
| 65W-45251-00-00  | OEM: This part number is among the Top 100 Most Popular Marine Maintenance Parts as of March 2014. |

©2014 Yamaha Motor Corporation, U.S.A. All rights reserved.

T25LA 0113 / BRACKET 2



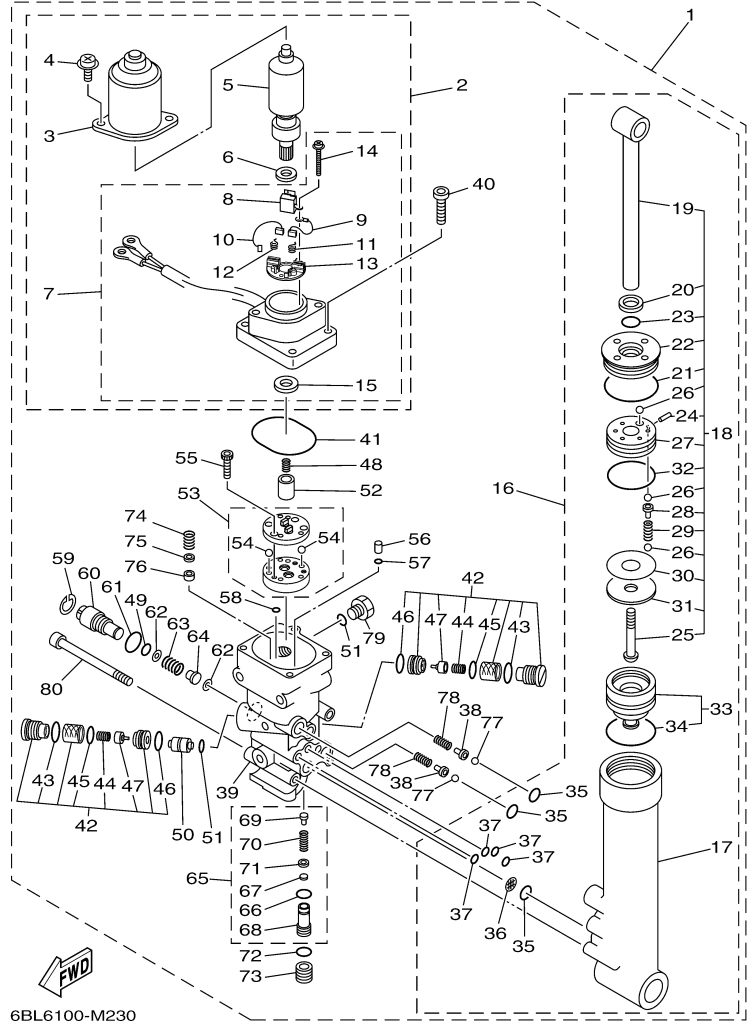
©2014 Yamaha Motor Corporation, U.S.A. All rights reserved.

Part List

T25LA 0113 / BRACKET 2

| REF - NO | PART NUMBER | PART NAME | QUANTITY | REMARKS |
|----------|-----------------|-------------------------------|----------|----------|
| 1 | 6BG-42510-10-4D | STEERING BRACKET ASSY | 1 | |
| 2 | 90116-10M28-00 | BOLT, STUD | 2 | |
| 3 | 90185-10051-00 | NUT, SELF-LOCKING | 2 | |
| 4 | 67C-44514-10-94 | MOUNT DAMPER, UPPER SIDE | 1 | |
| 5 | 90101-08M15-00 | BOLT | 2 | |
| 6 | 66T-44526-30-00 | PLATE | 1 | |
| 7 | 90185-08045-00 | NUT, SELF-LOCKING | 2 | |
| 8 | 97575-08530-00 | BOLT, WITH WASHER | 3 | |
| 9 | 67C-44551-10-4D | HOUSING, LOWER MOUNT RUBBER 1 | 1 | |
| 10 | 69W-44575-00-00 | DAMPER, LOWER MOUNT RUBBER | 2 | |
| 11 | 67C-44553-00-4D | COVER, LOWER MOUNT | 1 | |
| 12 | 97095-08020-00 | BOLT | 2 | |
| 13 | 92995-08600-00 | WASHER | 2 | |
| 14 | 6C5-44552-00-4D | HOUSING, LOWER MOUNT RUBBER 2 | 2 | |
| 15 | 97575-08530-00 | BOLT, WITH WASHER | 4 | |
| 16 | 68U-44555-11-00 | MOUNT DAMPER, LOWER SIDE | 2 | L(20.8") |
| 17 | 90109-12MA3-00 | BOLT | 2 | |
| 18 | 95380-12700-00 | NUT | 2 | |
| 19 | 90201-12M16-00 | WASHER, PLATE | 4 | |
| 20 | 90202-21100-00 | WASHER, PLATE | 2 | |
| 21 | 90201-13M19-00 | WASHER, PLATE | 2 | |
| 22 | 90201-22M05-00 | WASHER, PLATE | 2 | |
| 23 | 93410-28M06-00 | CIRCLIP | 1 | |
| 24 | 67C-82127-10-00 | WIRE, LEAD 2 | 1 | |
| 25 | 97885-06008-00 | SCREW, PAN HEAD | 1 | |
| 26 | 90201-30M00-00 | WASHER, PLATE | 1 | |
| 27 | 90386-30M78-00 | BUSH | 1 | |
| 28 | 90386-30M77-00 | BUSH | 2 | |
| 29 | 93210-29M94-00 | O-RING | 2 | |
| 30 | 90386-30M60-00 | BUSH | 1 | |
| 31 | 90445-07M53-00 | HOSE (L700) | 1 | |
| 32 | 6E5-83558-00-00 | END, NIPPLE | 1 | |
| 33 | 90465-11M10-00 | CLAMP | 2 | |
| 34 | 90465-11M10-00 | CLAMP | 4 | |
| 35 | 6K9-43139-10-00 | CAM, TRIM SENDER | 1 | |
| 36 | 90159-05059-00 | SCREW, WITH WASHER | 1 | |
| 37 | 67H-83672-01-00 | TRIM SENDER | 1 | |
| 38 | 97985-06216-00 | SCREW, WITH WASHER | 2 | |
| 39 | 65W-48511-01-00 | HOOK, STEERING | 1 | |
| 40 | 90201-10049-00 | WASHER, PLATE | 2 | |

T25LA 0113 / POWER TRIM TILT ASSY



©2014 Yamaha Motor Corporation, U.S.A. All rights reserved.

Part List


T25LA 0113 / POWER TRIM TILT ASSY

| REF - NO | PART NUMBER | PART NAME | QUANTITY | REMARKS |
|----------|-----------------|--------------------------------|----------|---------|
| 1 | 67C-43800-10-8D | POWER TRIM & TILT ASSY | 1 | |
| 2 | 67C-43880-01-00 | .MOTOR ASSY | 1 | |
| 3 | 65W-43804-01-00 | ..STATOR ASSY | 1 | |
| 4 | 65W-43887-01-00 | ..BOLT | 2 | |
| 5 | 65W-43805-01-00 | ..ARMATURE ASSY | 1 | |
| 6 | 65W-4387G-00-00 | ..WASHER | 1 | |
| 7 | 67C-43881-01-00 | ..FRAME, END | 1 | |
| 8 | 65W-82181-00-00 | ...CIRCUIT BREAKER COMP | 1 | |
| 9 | 65W-43892-01-00 | ...BRUSH 2 | 1 | |
| 10 | 65W-43891-01-00 | ...BRUSH 1 | 1 | |
| 11 | 65W-4386K-01-00 | ...SPRING, BRUSH | 1 | |
| 12 | 65W-4386L-00-00 | ...SPRING, BRUSH 2 | 1 | |
| 13 | 65W-4380F-01-00 | ...PLATE, BRUSH HOLDER | 1 | |
| 14 | 65W-43879-01-00 | ...SCREW, WITH WASHER | 2 | |
| 15 | 65W-43882-01-00 | ...OIL SEAL | 1 | |
| 16 | 67C-43840-01-00 | .POWER TILT ASSY | 1 | |
| 17 | 65W-4380K-00-00 | ..CYLINDER, TILT SUB ASSY | 1 | |
| 18 | 67C-43810-01-00 | ..TILT PISTON SUB ASSY | 1 | |
| 19 | 65W-43801-01-00 | ...ROD | 1 | |
| 20 | 65W-43812-00-00 | ...SEAL, DUST | 1 | |
| 21 | 65W-43865-00-00 | ...O-RING | 1 | |
| 22 | 65W-43811-01-00 | ...SCREW, CYLINDER END | 1 | |
| 23 | 67C-43867-00-00 | ...O-RING | 1 | |
| 24 | 91609-16012-00 | ...PIN, SPRING | 1 | |
| 25 | 67C-43886-00-00 | ...BOLT | 1 | |
| 26 | 93505-32038-00 | ...BALL | 11 | |
| 27 | 65W-4385A-01-00 | ...PISTON, TILT | 1 | |
| 28 | 65W-4386A-00-00 | ...PIN, ABSORBER VALVE | 5 | |
| 29 | 67C-43857-00-00 | ...SPRING, ABSORBER VALVE | 5 | |
| 30 | 15A-22442-00-00 | ...SHIM | 1 | UN |
| 31 | 90201-10038-00 | ...WASHER, PLATE | 1 | |
| 32 | 6H1-43862-00-00 | ...O-RING | 1 | |
| 33 | 65W-4381B-00-00 | ..FREE PISTON SUB ASSY | 1 | |
| 34 | 6H1-43861-10-00 | ...O-RING | 1 | |
| 35 | 93210-11368-00 | ..O-RING | 3 | |
| 36 | 69J-4381C-00-00 | ..FILTER 3 | 1 | |
| 37 | 93210-064A5-00 | ..O-RING | 4 | |
| 38 | 65W-4386A-00-00 | .PIN, ABSORBER VALVE | 2 | |
| 39 | 67C-4380L-01-00 | .HOUSING, TRIM & TILT SUB ASSY | 1 | |
| 40 | 91380-06020-00 | .BOLT | 4 | |
| 41 | 93210-50768-00 | .O-RING | 1 | |
| 42 | 6T4-43802-03-00 | .VALVE SUB ASSY | 2 | |
| 43 | 6H1-43866-01-00 | ..O-RING | 1 | |
| 44 | 6T4-43853-00-00 | ..SPRING, MAIN VALVE | 1 | |
| 45 | 93210-10M74-00 | ..O-RING | 1 | |
| 46 | 93210-12N52-00 | ..O-RING | 1 | |
| 47 | 6T4-43808-00-00 | ..SEAT VALVE COMP 1 | 1 | |
| 48 | 6T4-43853-00-00 | .SPRING, MAIN VALVE | 1 | |
| 49 | 93210-10M74-00 | .O-RING | 1 | |
| 50 | 62X-43841-00-00 | .PISTON, SHUTTLE | 1 | |
| 51 | 93210-09165-00 | .O-RING | 2 | |
| 52 | 65W-43831-00-00 | .CONNECTOR, SHAFT | 1 | |
| 53 | 65W-43830-00-00 | .GEAR PUMP ASSY | 1 | |

| | | | | |
|----|-----------------|-------------------------|---|--|
| 54 | 93505-32038-00 | ..BALL | 2 | |
| 55 | 91318-04025-00 | .BOLT | 4 | |
| 56 | 65W-43817-00-00 | .FILTER 2 | 2 | |
| 57 | 93210-04N50-00 | .O-RING | 2 | |
| 58 | 93210-04N51-00 | .O-RING | 2 | |
| 59 | 6H1-43875-00-00 | .RING, SNAP | 1 | |
| 60 | 6H1-43845-00-00 | .SCREW, MANUAL RELEASE | 1 | |
| 61 | 6D8-43863-00-00 | .O-RING | 1 | |
| 62 | 6H1-43847-00-00 | .SEAT, MANUAL VALVE | 2 | |
| 63 | 65W-43854-00-00 | .SPRING, MANUAL RELEASE | 1 | |
| 64 | 65W-4382A-00-00 | .ADAPTOR 1 | 1 | |
| 65 | CS2-43803-81-00 | .CASE VALVE COMP | 1 | |
| 66 | 93210-10M74-00 | ..O-RING | 1 | |
| 67 | 6H1-4384G-11-00 | ..SEAL, RELIEF VALVE | 1 | |
| 68 | 67C-43851-00-00 | ..SEAT, RELIEF VALVE | 1 | |
| 69 | 67F-43843-00-00 | ..SCREW, VALVE LOCK | 1 | |
| 70 | 6H1-43856-10-00 | ..SPRING, DOWN RELIEF | 1 | |
| 71 | 6H1-43844-10-00 | ..PIN, VALVE SUPPORT | 1 | |
| 72 | 93210-11073-00 | .O-RING | 1 | |
| 73 | 65W-43843-00-00 | .SCREW, VALVE LOCK | 1 | |
| 74 | 6H1-43856-10-00 | .SPRING, DOWN RELIEF | 1 | |
| 75 | 6H1-43844-10-00 | .PIN, VALVE SUPPORT | 1 | |
| 76 | 6H1-4384F-10-00 | .SEAL, MAIN VALVE | 1 | |
| 77 | 93501-08001-00 | .BALL | 2 | |
| 78 | 65W-43853-00-00 | .SPRING, MAIN VALVE | 2 | |
| 79 | 6H1-43829-00-00 | .PLUG, RESERVOIR | 1 | |
| 80 | 62X-43878-01-00 | .BOLT, SOCKET | 3 | |

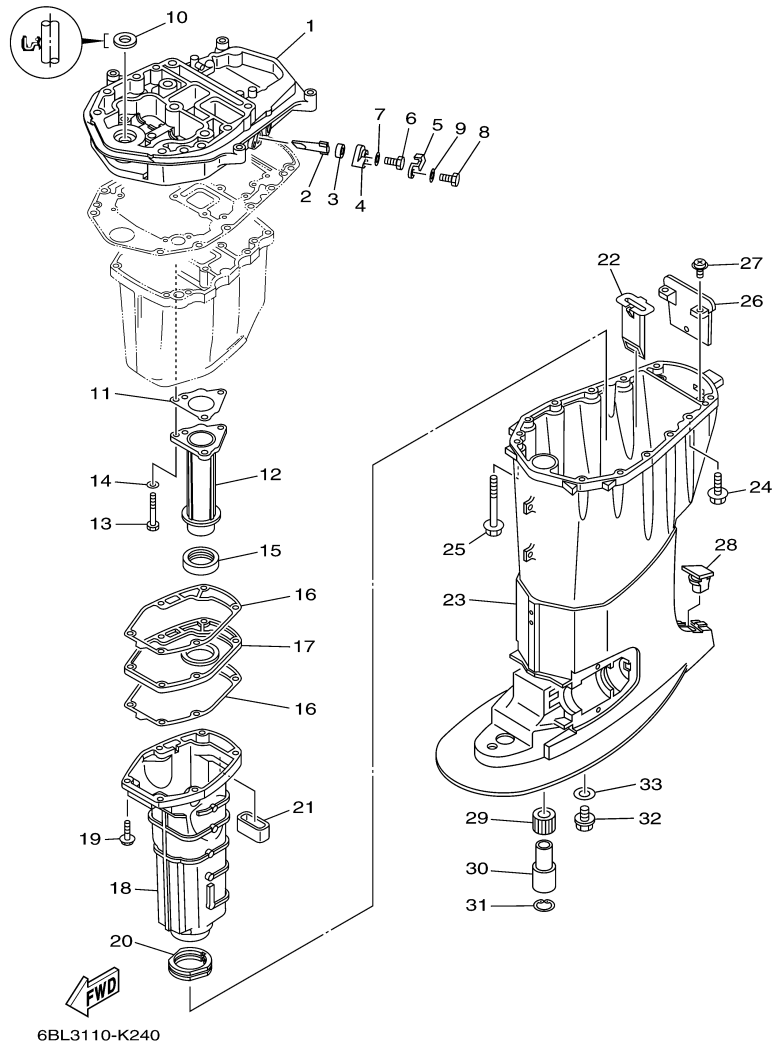
Part Notes

T25LA 0113 / POWER TRIM TILT ASSY

| PART NUMBER | | NOTE TEXT |
|-----------------|---|--|
| 6H1-43861-10-00 |  | OEM: This part number is among the Top 100 Most Popular Marine Maintenance Parts as of March 2014. |

©2014 Yamaha Motor Corporation, U.S.A. All rights reserved.

T25LA 0113 / UPPER CASING



©2014 Yamaha Motor Corporation, U.S.A. All rights reserved.


Part List

T25LA 0113 / UPPER CASING

| REF - NO | PART NUMBER | PART NAME | QUANTITY | REMARKS |
|----------|-----------------|-----------------------------|----------|---------|
| 1 | 67C-41137-13-CA | GUIDE, EXHAUST | 1 | |
| 2 | 62Y-11325-00-00 | ANODE | 1 | |
| 3 | 66M-11328-00-00 | GROMMET, ANODE | 1 | |
| 4 | 66M-11327-00-94 | COVER, ANODE | 1 | |
| 5 | 66M-12535-00-00 | PLATE | 1 | |
| 6 | 97095-05012-00 | BOLT | 1 | |
| 7 | 92995-05600-00 | WASHER | 1 | |
| 8 | 97013-06020-00 | BOLT | 1 | |
| 9 | 92903-06600-00 | WASHER, PLATE | 1 | |
| 10 | 93110-16004-00 | .OIL SEAL | 1 | |
| 11 | 64J-41133-10-00 | .GASKET, EXHAUST MANIFOLD 1 | 1 | |
| 12 | 6BG-41131-00-CA | MANIFOLD, EXT. 1 | 1 | |
| 13 | 97075-06050-00 | BOLT | 3 | |
| 14 | 92995-06600-00 | WASHER | 3 | |
| 15 | 64J-46132-10-00 | .GASKET 1 | 1 | |
| 16 | 6BG-41134-00-00 | .GASKET, EXHAUST MANIFOLD | 2 | |
| 17 | 6BG-45181-00-CA | PLATE | 1 | |
| 18 | 69W-14711-00-CA | MUFFLER 1 | 1 | |
| 19 | 97575-06525-00 | BOLT, WITH WASHER | 6 | |
| 20 | 67C-45123-00-00 | .GASKET, MUFFLER | 1 | |
| 21 | 62Y-45127-00-00 | .SEAL | 1 | |
| 22 | 64J-77123-00-00 | GUIDE 1 | 1 | |
| 23 | 6BG-45111-10-4D | CASING, UPPER | 1 | |
| 24 | 97575-08530-00 | BOLT, WITH WASHER | 4 | |
| 25 | 90119-08132-00 | BOLT, WITH WASHER | 8 | |
| 26 | 67C-45151-00-00 | COVER, UPPER CASING | 1 | |
| 27 | 97980-05216-00 | SCREW, WITH WASHER | 2 | |
| 28 | 6C5-45155-00-00 | CAP | 1 | |
| 29 | 679-45318-00-00 | BUSHING, DRIVE SHAFT | 1 | |
| 30 | 90387-23002-00 | COLLAR | 1 | |
| 31 | 93420-36M01-00 | CIRCLIP | 1 | |
| 32 | 90340-14M06-00 | PLUG, STRAIGHT SCREW | 1 | |
| 33 | 90430-14M09-00 | .GASKET | 1 | |

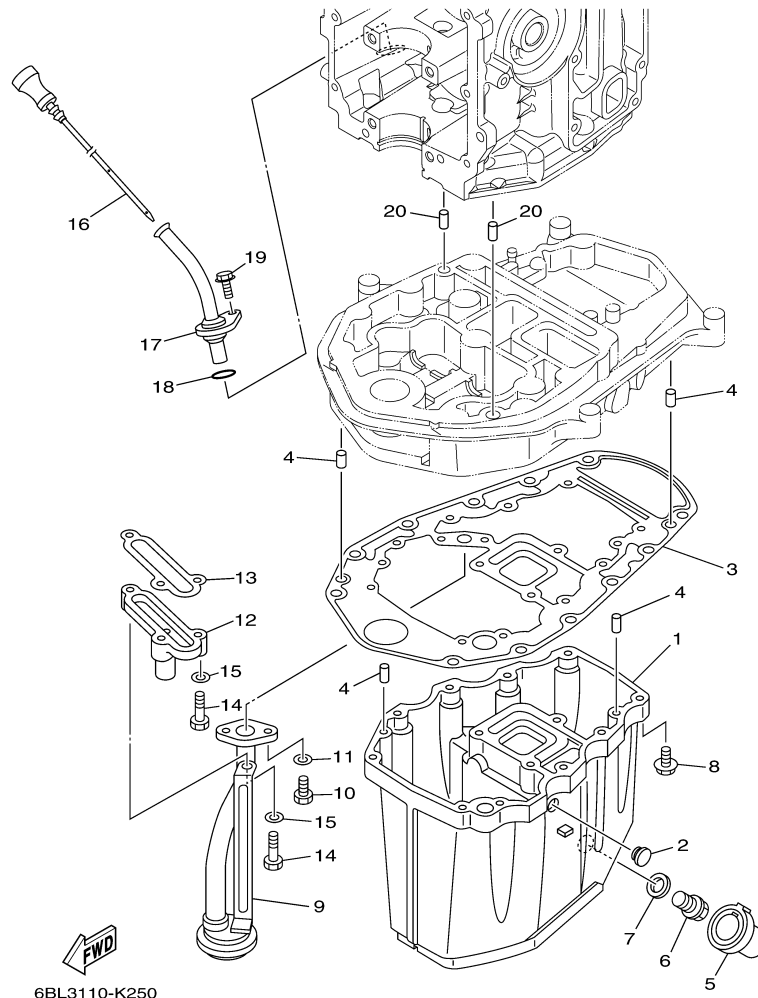
Part Notes

T25LA 0113 / UPPER CASING

| PART NUMBER | NOTE TEXT |
|--|--|
| 90430-14M09-00  | OEM: This part number is among the Top 100 Most Popular Marine Maintenance Parts as of March 2014. |

©2014 Yamaha Motor Corporation, U.S.A. All rights reserved.

T25LA 0113 / OIL PAN



©2014 Yamaha Motor Corporation, U.S.A. All rights reserved.


Part List

T25LA 0113 / OIL PAN

| REF - NO | PART NUMBER | PART NAME | QUANTITY | REMARKS |
|----------------|-----------------|----------------------|----------|---------|
| 1 | 6BG-15311-00-CA | OIL PAN | 1 | |
| 2 | 90480-12M25-00 | GROMMET | 1 | |
| 3 | 69W-15312-00-00 | .GASKET, OIL PAN | 1 | |
| 4 | 93606-12019-00 | .PIN, DOWEL | 4 | |
| 5 | 67C-15316-00-00 | DAMPER 1 | 1 | |
| 6 | 90340-14M06-00 | PLUG, STRAIGHT SCREW | 1 | |
| 7 | 90430-14M09-00 | .GASKET | 1 | |
| 8 | 97575-06525-00 | BOLT, WITH WASHER | 10 | |
| 9 | 62Y-13411-00-00 | STRAINER, OIL | 1 | |
| 10 | 97013-06016-00 | BOLT | 2 | |
| 11 | 92903-06600-00 | WASHER, PLATE | 2 | |
| 12 | 6BG-11576-00-94 | BODY, RELIEF | 1 | |
| 13 | 62Y-13475-00-00 | .GASKET | 1 | |
| 14 | 97013-06025-00 | BOLT | 3 | |
| 15 | 92903-06600-00 | WASHER, PLATE | 3 | |
| 16 | 6BL-15362-00-00 | PLUG, OIL LEVEL | 1 | |
| 17 | 6BL-15377-00-00 | GUIDE, INLET | 1 | |
| 18 | 93210-19MJ3-00 | .O-RING | 1 | |
| 19 | 95895-06016-00 | BOLT, FLANGE | 1 | |
| 20 | 93608-12M05-00 | PIN, DOWEL | 2 | |

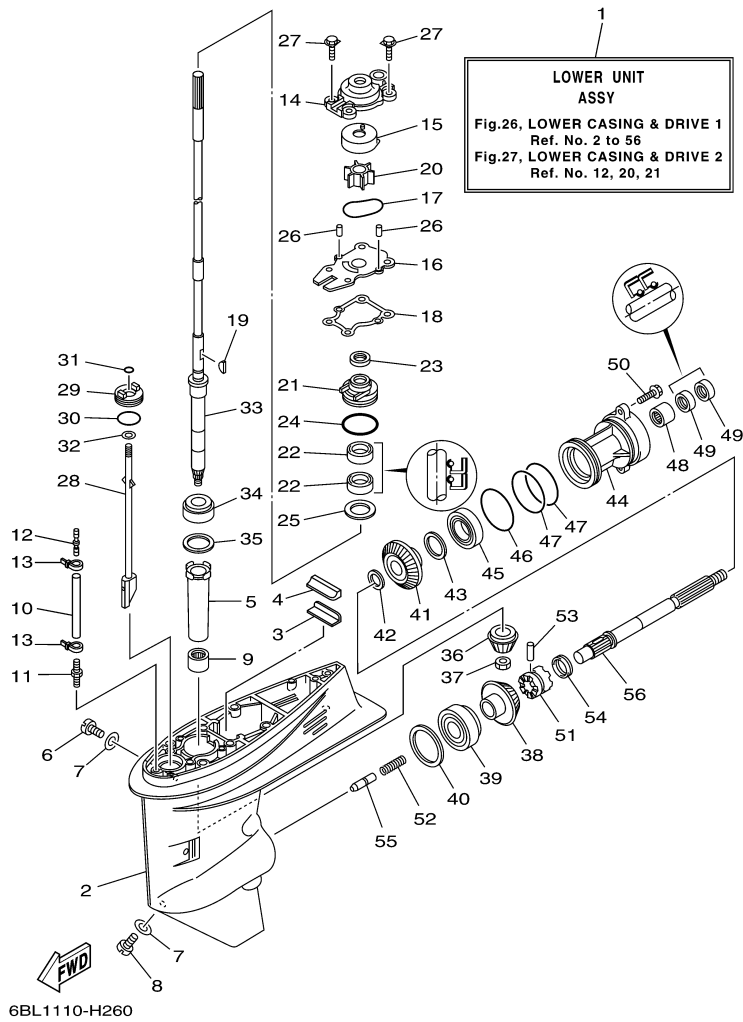
Part Notes

T25LA 0113 / OIL PAN

| PART NUMBER | NOTE TEXT |
|--|--|
| 90430-14M09-00  | OEM: This part number is among the Top 100 Most Popular Marine Maintenance Parts as of March 2014. |

©2014 Yamaha Motor Corporation, U.S.A. All rights reserved.

T25LA 0113 / LOWER CASING DRIVE 1



©2014 Yamaha Motor Corporation, U.S.A. All rights reserved.

Part List




T25LA 0113 / LOWER CASING DRIVE 1

| REF - NO | PART NUMBER | PART NAME | QUANTITY | REMARKS |
|----------|-----------------|-------------------------|----------|----------|
| 1 | 6BL-45300-11-4D | LOWER UNIT ASSY | 1 | L(20.8") |
| 2 | 67C-45301-00-4D | CASING, LOWER | 1 | |
| 3 | 663-45376-00-00 | GUIDE, SEAL DAMPER | 1 | |
| 4 | 63D-45375-00-00 | DAMPER, SEAL | 1 | |
| 5 | 6H4-45536-00-00 | SLEEVE, DRIVE SHAFT | 1 | |
| 6 | 90340-08002-00 | PLUG, STRAIGHT SCREW | 1 | |
| 7 | 90430-08020-00 | .GASKET | 2 | |
| 8 | 688-45341-10-00 | PLUG, DRAIN | 1 | |
| 9 | 93315-32224-00 | BEARING | 1 | |
| 10 | 90445-07ME8-00 | HOSE (L80) | 1 | L(20.8") |
| 11 | 6E5-45378-00-00 | NIPPLE, HOSE | 1 | |
| 12 | 6E5-83558-10-00 | END, NIPPLE | 1 | |
| 13 | 90465-11M10-00 | CLAMP | 2 | |
| 14 | 6BL-44311-00-00 | HOUSING, WATER PUMP | 1 | |
| 15 | 63D-44322-00-00 | .INSERT, CARTRIDGE | 1 | |
| 16 | 66T-44323-00-00 | .OUTER PLATE, CARTRIDGE | 1 | |
| 17 | 93210-59MG7-00 | .O-RING | 1 | |
| 18 | 63D-44316-00-00 | .GASKET, WATER PUMP | 1 | |
| 19 | 90280-03M03-00 | .KEY, WOODRUFF | 1 | |
| 20 | 6H4-44352-02-00 | .IMPELLER | 1 | |
| 21 | 6BG-44341-00-00 | HOUSING, WATER PUMP | 1 | |
| 22 | 93101-22M60-00 | .OIL SEAL | 2 | |
| 23 | 66T-45344-01-00 | COVER, OIL SEAL | 1 | |
| 24 | 93210-48001-00 | .O-RING | 1 | |
| 25 | 90201-27M00-00 | WASHER, PLATE | 1 | |
| 26 | 93604-08062-00 | PIN, DOWEL | 2 | |
| 27 | 90119-08M15-00 | .BOLT, WITH WASHER | 4 | |
| 28 | 67C-44150-10-00 | SHIFT CAM ASSY | 1 | L(20.8") |
| 29 | 68U-45321-00-00 | PLATE | 1 | |
| 30 | 93210-33MG4-00 | .O-RING | 1 | |
| 31 | 93210-06ME6-00 | .O-RING | 1 | |
| 32 | 92990-06600-00 | WASHER, PLATE | 1 | |
| 33 | 6BL-45501-10-00 | DRIVE SHAFT COMP. | 1 | L(20.8") |
| 34 | 93332-00001-00 | BEARING | 1 | |
| 35 | 663-45587-01-00 | SHIM (T:0.10MM) | 1 | UR |
| 35 | 663-45587-10-00 | SHIM (T:0.12MM) | 1 | UR |
| 35 | 663-45587-20-00 | SHIM (T:0.15MM) | 1 | UR |
| 35 | 663-45587-30-00 | SHIM (T:0.18MM) | 1 | UR |
| 35 | 663-45587-40-00 | SHIM (T:0.30MM) | 1 | UR |
| 35 | 663-45587-50-00 | SHIM (T:0.40MM) | 1 | UR |
| 35 | 663-45587-60-00 | SHIM (T:0.50MM) | 1 | UR |
| 36 | 68U-45551-00-00 | PINION (12T) | 1 | |
| 37 | 90179-10M38-00 | NUT | 1 | |
| 38 | 68U-45560-00-00 | GEAR 1 (29T) | 1 | |
| 39 | 93332-00003-00 | BEARING | 1 | |
| 40 | 663-45567-01-00 | SHIM (T:0.10MM) | 1 | UR |
| 40 | 663-45567-10-00 | SHIM (T:0.12MM) | 1 | UR |
| 40 | 663-45567-20-00 | SHIM (T:0.15MM) | 1 | UR |
| 40 | 663-45567-30-00 | SHIM (T:0.18MM) | 1 | UR |
| 40 | 663-45567-40-00 | SHIM (T:0.30MM) | 1 | UR |
| 40 | 663-45567-50-00 | SHIM (T:0.40MM) | 1 | UR |
| 40 | 663-45567-60-00 | SHIM (T:0.50MM) | 1 | UR |
| 41 | 68U-45571-00-00 | GEAR 2 (29T) | 1 | |
| 42 | 90201-22429-00 | WASHER, PLATE | 1 | |

| | | | | |
|----|-----------------|---------------------|---|----|
| 43 | 63D-45577-00-00 | SHIM (T:0.10MM) | 1 | UR |
| 43 | 63D-45577-10-00 | SHIM (T:0.12MM) | 1 | UR |
| 43 | 63D-45577-20-00 | SHIM (T:0.15MM) | 1 | UR |
| 43 | 63D-45577-30-00 | SHIM (T:0.18MM) | 1 | UR |
| 43 | 63D-45577-40-00 | SHIM (T:0.30MM) | 1 | UR |
| 43 | 63D-45577-50-00 | SHIM (T:0.40MM) | 1 | UR |
| 43 | 63D-45577-60-00 | SHIM (T:0.50MM) | 1 | UR |
| 44 | 63D-45361-02-4D | CAP, LOWER CASING | 1 | |
| 45 | 93306-001U1-00 | BEARING | 1 | |
| 46 | 93210-69MG6-00 | .O-RING | 1 | |
| 47 | 93210-74MG5-00 | .O-RING | 2 | |
| 48 | 93317-22204-00 | BEARING | 1 | |
| 49 | 93101-22M00-00 | .OIL SEAL | 2 | |
| 50 | 90105-08M61-00 | BOLT, FLANGE | 2 | |
| 51 | 68U-45631-00-00 | CLUTCH, DOG | 1 | |
| 52 | 90501-15M01-00 | SPRING, COMPRESSION | 1 | |
| 53 | 90250-06023-00 | PIN, STRAIGHT | 1 | |
| 54 | 67C-45633-00-00 | RING, CROSS PIN | 1 | |
| 55 | 66T-45635-00-00 | PLUNGER, SHIFT | 1 | |
| 56 | 66T-45611-00-00 | SHAFT, PROPELLER | 1 | |

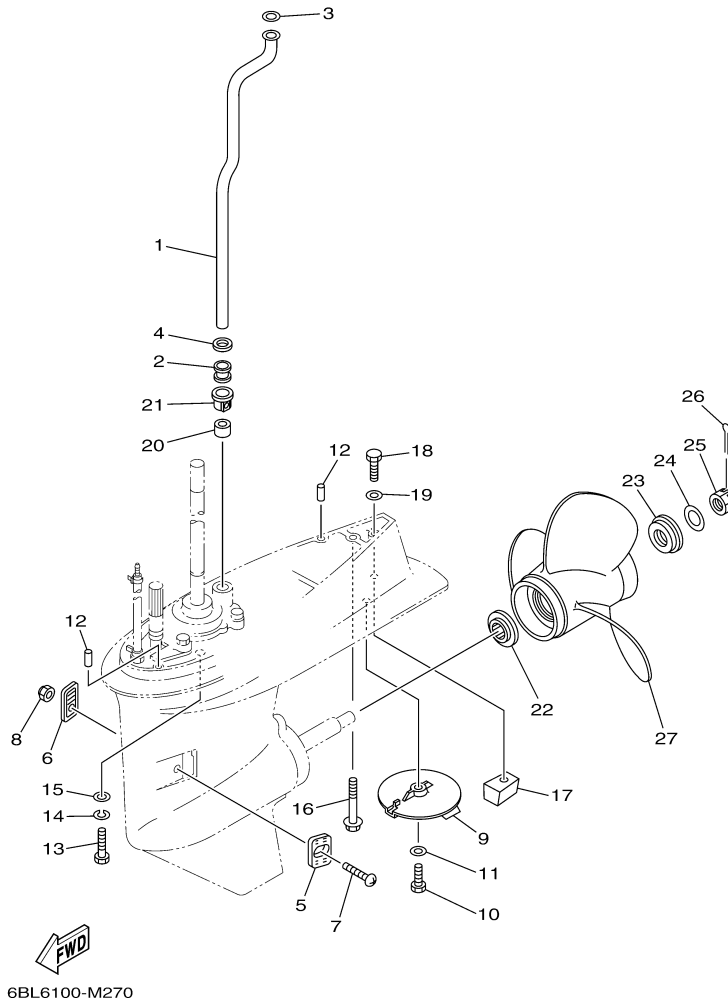
Part Notes

T25LA 0113 / LOWER CASING DRIVE 1

| PART NUMBER | | NOTE TEXT |
|-----------------|--|--|
| 90430-08020-00 |  | OEM: This part number is among the Top 100 Most Popular Marine Maintenance Parts as of March 2014. |
| 6H4-44352-02-00 |  | OEM: This part number is among the Top 100 Most Popular Marine Maintenance Parts as of March 2014. |
| 92990-06600-00 |  | OEM: This part number is among the Top 100 Most Popular Marine Maintenance Parts as of March 2014. |

©2014 Yamaha Motor Corporation, U.S.A. All rights reserved.

T25LA 0113 / LOWER CASING DRIVE 2



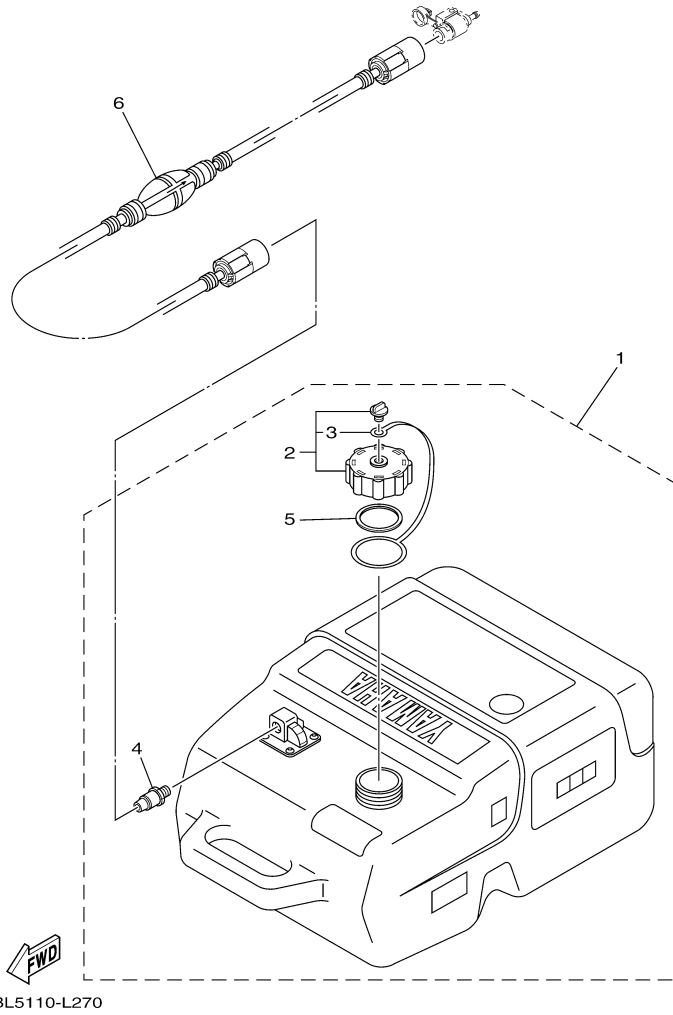
©2014 Yamaha Motor Corporation, U.S.A. All rights reserved.

Part List

T25LA 0113 / LOWER CASING DRIVE 2

| REF - NO | PART NUMBER | PART NAME | QUANTITY | REMARKS |
|----------------|-----------------|----------------------------|----------|----------|
| 1 | 62Y-44361-00-00 | TUBE, WATER 1 | 1 | L(20.8") |
| 2 | 663-44367-00-00 | DAMPER, WATER SEAL 3 | 1 | |
| 3 | 90202-12060-00 | WASHER, PLATE | 1 | |
| 4 | 90430-12072-00 | GASKET | 1 | |
| 5 | 63D-45214-00-00 | COVER, WATER INLET 1 | 1 | |
| 6 | 63D-45215-00-00 | COVER, WATER INLET 2 | 1 | |
| 7 | 90152-05010-00 | SCREW, COUNTERSUNK | 1 | |
| 8 | 95380-05600-00 | NUT | 1 | |
| 9 | 67C-45371-00-00 | TAB-TRIM | 1 | |
| 10 | 97095-08025-00 | BOLT | 1 | |
| 11 | 92995-08600-00 | WASHER | 1 | |
| 12 | 93606-12019-00 | .PIN, DOWEL | 2 | |
| 13 | 97075-10040-00 | BOLT | 4 | L(20.8") |
| 14 | 92995-10100-00 | WASHER | 4 | L(20.8") |
| 15 | 92995-10600-00 | WASHER | 4 | L(20.8") |
| 16 | 97575-08565-00 | BOLT, WITH WASHER | 1 | L(20.8") |
| 17 | 67C-45251-00-00 | ANODE | 1 | |
| 18 | 97095-08035-00 | BOLT | 1 | |
| 19 | 92995-08600-00 | WASHER | 1 | |
| 20 | 663-44366-00-00 | .DAMPER, WATER SEAL 2 | 1 | |
| 21 | 63D-44312-00-00 | .COVER, WATER PUMP HOUSING | 1 | |
| 22 | 663-45987-02-00 | SPACER 1 | 1 | |
| 23 | 68U-45997-00-00 | SPACER 2 | 1 | |
| 24 | 92990-16200-00 | WASHER, PLAIN | 1 | |
| 25 | 90171-16011-00 | NUT, CASTLE | 1 | |
| 26 | 91490-30025-00 | PIN. COTTER | 1 | |
| 27 | 68U-45941-00-00 | PROPELLER (3X12-1/4"X9"-G) | 1 | |

T25LA 0113 / FUEL TANK



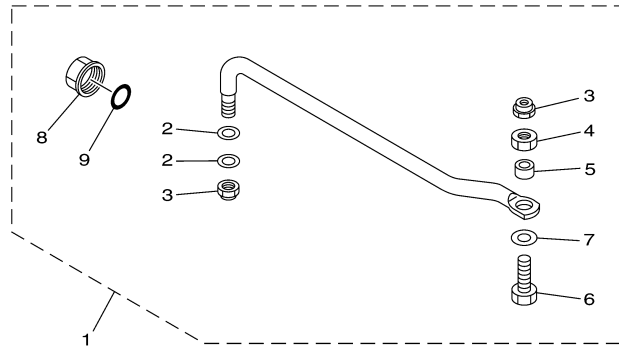
©2014 Yamaha Motor Corporation, U.S.A. All rights reserved.

Part List

T25LA 0113 / FUEL TANK

| REF - NO | PART NUMBER | PART NAME | QUANTITY | REMARKS |
|----------------|-----------------|----------------------|----------|---------|
| 1 | 6YK-24201-42-00 | FUEL TANK ASSY (25L) | 1 | AP |
| 2 | 6YL-24610-10-00 | .CAP ASSY | 1 | |
| 3 | 6YL-24641-10-00 | ..GASKET, CAP 1 | 1 | |
| 4 | 6YL-24377-01-00 | .PIPE, JOINT 2 | 1 | |
| 5 | 6YL-24629-00-00 | .RING | 1 | |
| 6 | 6YK-24306-73-00 | FUEL PIPE COMP. 1 | 1 | AP |

T25LA 0113 / STEERING GUIDE



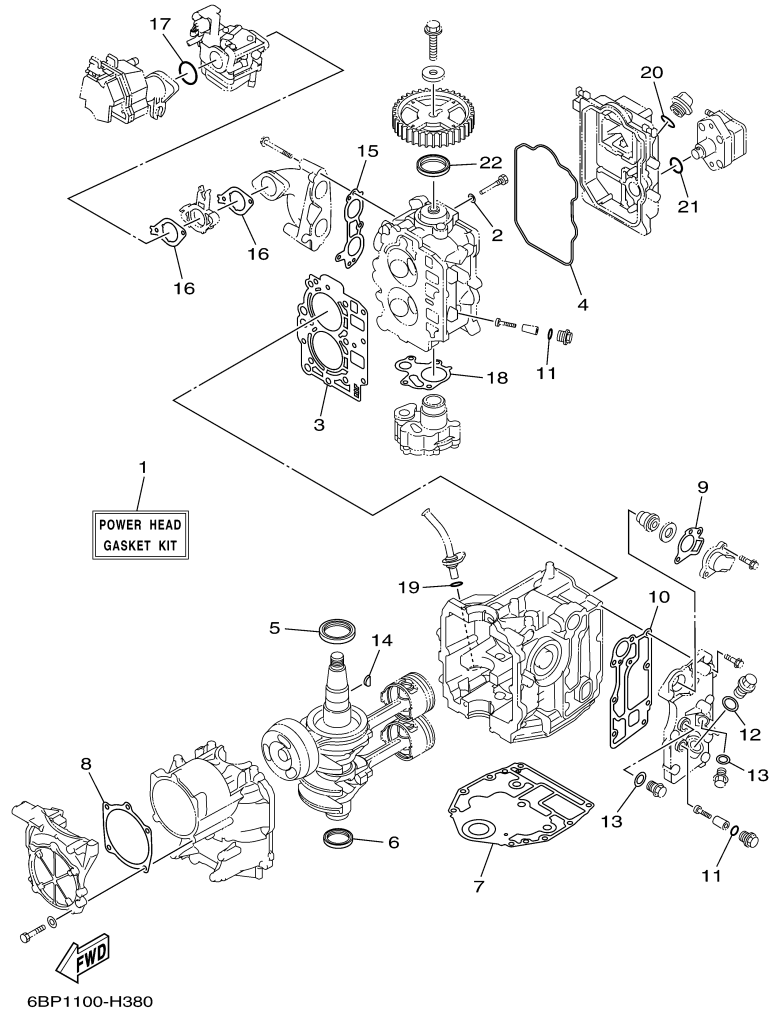
6BG1100-H340

Part List

T25LA 0113 / STEERING GUIDE

| REF - NO | PART NUMBER | PART NAME | QUANTITY | REMARKS |
|----------------|-----------------|----------------------------------|----------|---------|
| 1 | 6BG-61350-00-00 | STEERING GUIDE ATTACHMENT KIT | 1 | AP |
| 2 | 90201-10M20-00 | .WASHER, PLATE | 2 | |
| 3 | 90185-09M01-00 | .NUT, SELF-LOCKING | 2 | |
| 4 | 90170-09M03-00 | .NUT | 1 | |
| 5 | 90387-10M42-00 | .COLLAR | 1 | |
| 6 | 90101-09M01-00 | .BOLT | 1 | |
| 7 | 90201-10M63-00 | .WASHER, PLATE | 1 | |
| 8 | 6E5-43145-01-00 | .CAP, CLAMP BRACKET | 1 | |
| 9 | 93210-16275-00 | .O-RING | 1 | |

T25LA 0113 / REPAIR KIT 1



©2014 Yamaha Motor Corporation, U.S.A. All rights reserved.


Part List

T25LA 0113 / REPAIR KIT 1

| REF - NO | PART NUMBER | PART NAME | QUANTITY | REMARKS |
|----------|-----------------|------------------------------|----------|---------|
| 1 | 6BL-W0001-00-00 | POWER HEAD GASKET KIT | 1 | |
| 2 | 90430-06014-00 | .GASKET | 1 | |
| 3 | 6BL-11181-00-00 | .GASKET, CYLINDER HEAD 1 | 1 | |
| 4 | 6BL-11356-00-00 | .SEAL, CYLINDER 2 | 1 | |
| 5 | 93102-43M42-00 | .OIL SEAL | 1 | |
| 6 | 93101-35002-00 | .OIL SEAL | 1 | |
| 7 | 6BG-11351-00-00 | .GASKET, CYLINDER | 1 | |
| 8 | 6BL-15663-00-00 | .SEAL | 1 | |
| 9 | 62Y-12414-00-00 | .GASKET, COVER | 1 | |
| 10 | 6BL-41114-00-00 | .GASKET, EXHAUST OUTER COVER | 1 | |
| 11 | 93210-13M63-00 | .O-RING | 3 | |
| 12 | 90430-18130-00 | .GASKET | 1 | |
| 13 | 90430-14115-00 | .GASKET | 2 | |
| 14 | 90280-03M01-00 | .KEY, WOODRUFF | 1 | |
| 15 | 6BL-13645-00-00 | .GASKET, MANIFOLD 1 | 1 | |
| 16 | 6BL-13646-00-00 | .GASKET, MANIFOLD 2 | 2 | |
| 17 | 93210-39ME4-00 | .O-RING | 1 | |
| 18 | 6C5-13329-00-00 | .GASKET, PUMP COVER | 1 | |
| 19 | 93210-19MJ3-00 | .O-RING | 1 | |
| 20 | 93210-24M79-00 | .O-RING | 1 | |
| 21 | 93210-24M79-00 | .O-RING | 1 | |
| 22 | 93102-37M40-00 | .OIL SEAL | 1 | |

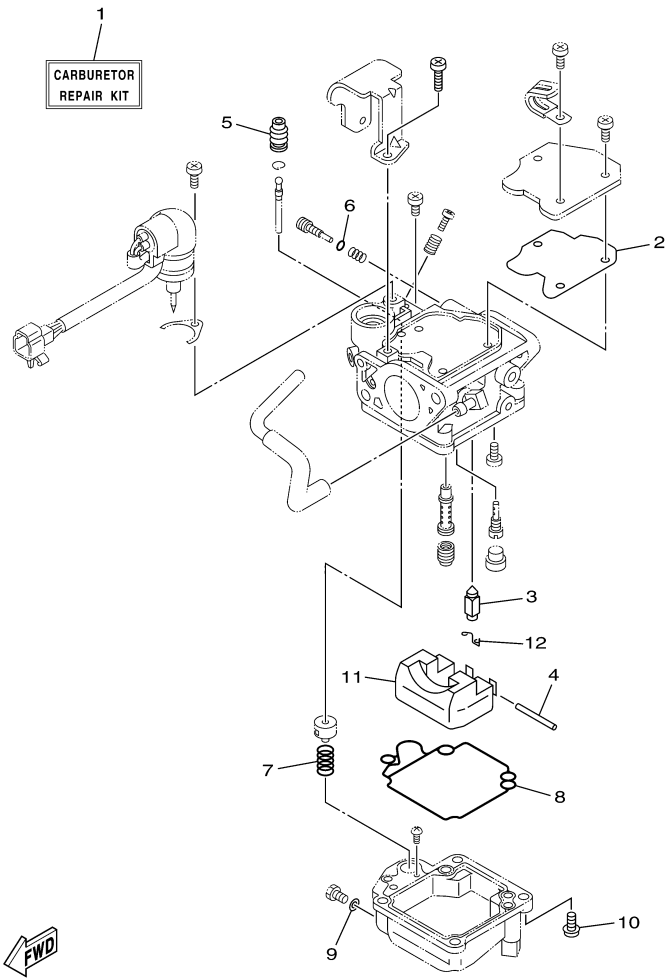
Part Notes

T25LA 0113 / REPAIR KIT 1

| PART NUMBER | NOTE TEXT |
|---|--|
| 62Y-12414-00-00  | OEM: This part number is among the Top 100 Most Popular Marine Maintenance Parts as of March 2014. |

©2014 Yamaha Motor Corporation, U.S.A. All rights reserved.

T25LA 0113 / REPAIR KIT 2



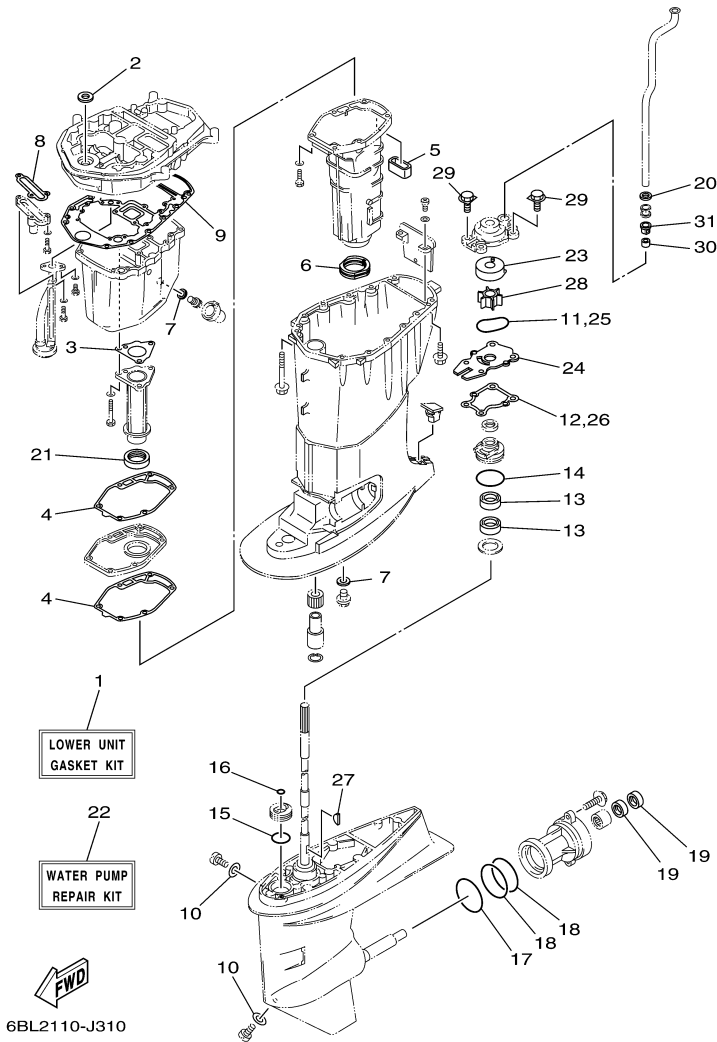
©2014 Yamaha Motor Corporation, U.S.A. All rights reserved.

Part List

T25LA 0113 / REPAIR KIT 2

| REF - NO | PART NUMBER | PART NAME | QUANTITY | REMARKS |
|----------------|-----------------|------------------------|----------|---------|
| 1 | 6BL-W0093-00-00 | CARBURETOR REPAIR KIT | 1 | |
| 2 | 65W-14126-10-00 | .GASKET | 1 | |
| 3 | 6AH-14546-00-00 | .VALVE, NEEDLE | 1 | |
| 4 | 6H4-14548-00-00 | .PIN, FLOAT ARM | 1 | |
| 5 | 65W-14373-02-00 | .COVER, PLUNGER CAP | 1 | |
| 6 | 67C-14397-00-00 | .O-RING | 1 | |
| 7 | 65W-14335-00-00 | .SPRING, PLUNGER | 1 | |
| 8 | 65W-14384-00-00 | .GASKET, FLOAT CHAMBER | 1 | |
| 9 | 65W-14398-00-00 | .GASKET | 1 | |
| 10 | 97980-04114-00 | .SCREW, WITH WASHER | 4 | |
| 11 | 63V-14985-00-00 | .FLOAT | 1 | |
| 12 | 663-14159-00-00 | .CLIP | 1 | |

T25LA 0113 / REPAIR KIT 3



©2014 Yamaha Motor Corporation, U.S.A. All rights reserved.




Part List

T25LA 0113 / REPAIR KIT 3

| REF - NO | PART NUMBER | PART NAME | QUANTITY | REMARKS |
|----------|-----------------|-----------------------------|----------|---------|
| 1 | 6BL-W0001-21-00 | LOWER UNIT GASKET KIT | 1 | |
| 2 | 93110-16004-00 | .OIL SEAL | 1 | |
| 3 | 64J-41133-10-00 | .GASKET, EXHAUST MANIFOLD 1 | 1 | |
| 4 | 6BG-41134-00-00 | .GASKET, EXHAUST MANIFOLD | 2 | |
| 5 | 62Y-45127-00-00 | .SEAL | 1 | |
| 6 | 67C-45123-00-00 | .GASKET, MUFFLER | 1 | |
| 7 | 90430-14M09-00 | .GASKET | 2 | |
| 8 | 62Y-13475-00-00 | .GASKET | 1 | |
| 9 | 69W-15312-00-00 | .GASKET, OIL PAN | 1 | |
| 10 | 90430-08020-00 | .GASKET | 2 | |
| 11 | 93210-59MG7-00 | .O-RING | 1 | |
| 12 | 63D-44316-00-00 | .GASKET, WATER PUMP | 1 | |
| 13 | 93101-22M60-00 | .OIL SEAL | 2 | |
| 14 | 93210-48001-00 | .O-RING | 1 | |
| 15 | 93210-33MG4-00 | .O-RING | 1 | |
| 16 | 93210-06ME6-00 | .O-RING | 1 | |
| 17 | 93210-69MG6-00 | .O-RING | 1 | |
| 18 | 93210-74MG5-00 | .O-RING | 2 | |
| 19 | 93101-22M00-00 | .OIL SEAL | 2 | |
| 20 | 90430-12072-00 | .GASKET | 1 | |
| 21 | 64J-46132-10-00 | .GASKET 1 | 1 | |
| 22 | 66T-W0078-00-00 | WATER PUMP REPAIR KIT | 1 | |
| 23 | 63D-44322-00-00 | .INSERT, CARTRIDGE | 1 | |
| 24 | 66T-44323-00-00 | .OUTER PLATE, CARTRIDGE | 1 | |
| 25 | 93210-59MG7-00 | .O-RING | 1 | |
| 26 | 63D-44316-00-00 | .GASKET, WATER PUMP | 1 | |
| 27 | 90280-03M03-00 | .KEY, WOODRUFF | 1 | |
| 28 | 6H4-44352-02-00 | .IMPELLER | 1 | |
| 29 | 90119-08M15-00 | .BOLT, WITH WASHER | 4 | |
| 30 | 663-44366-00-00 | .DAMPER, WATER SEAL 2 | 1 | |
| 31 | 63D-44312-00-00 | .COVER, WATER PUMP HOUSING | 1 | |

Part Notes

T25LA 0113 / REPAIR KIT 3

| PART NUMBER | | NOTE TEXT |
|-----------------|---|--|
| 90430-14M09-00 |  | OEM: This part number is among the Top 100 Most Popular Marine Maintenance Parts as of March 2014. |
| 90430-08020-00 |  | OEM: This part number is among the Top 100 Most Popular Marine Maintenance Parts as of March 2014. |
| 6H4-44352-02-00 |  | OEM: This part number is among the Top 100 Most Popular Marine Maintenance Parts as of March 2014. |

©2014 Yamaha Motor Corporation, U.S.A. All rights reserved.

©2014 Yamaha Motor Corporation, U.S.A. All rights reserved.