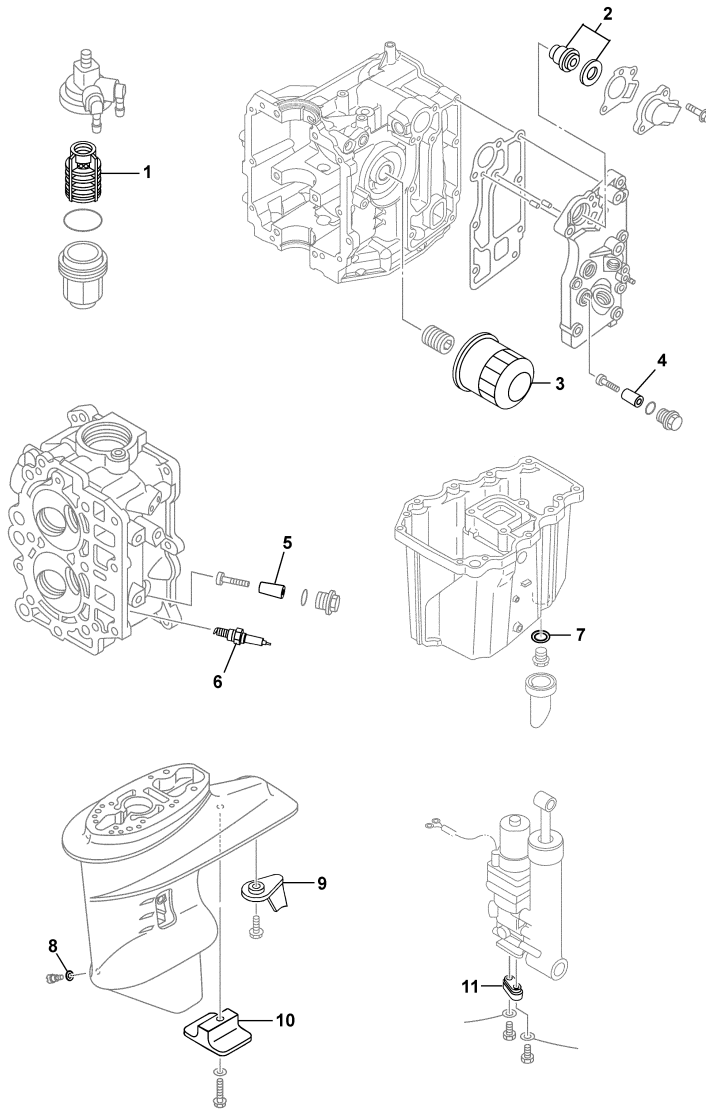


F25SEA 0410 / SCHEDULED SERVICE PARTS



©2014 Yamaha Motor Corporation, U.S.A. All rights reserved.




## Part List

F25SEA 0410 / SCHEDULED SERVICE PARTS

REF - NO	PART NUMBER	PART NAME	QUANTITY	REMARKS
1	61N-24563-00-00	ELEMENT, FILTER	1	FUEL 1 (REF #14)
2	6G8-12411-03-00	THERMOSTAT	1	CYLINDER CRANKCASE 1 (REF #23)
3	5GH-13440-20-00	ELEMENT ASSY, OIL CLEANER	1	CYLINDER CRANKCASE 1 (REF #37)
4	6G8-11325-00-00	ANODE	1	CYLINDER CRANKCASE 1 (REF #29)
5	6BL-11325-00-00	ANODE	2	CYLINDER CRANKCASE 2 (REF #4)
6	DPR-6EB90-00-00	PLUG, SPARK (NGK DPR6EB)	2	CYLINDER CRANKCASE 2 (REF #33)
7	90430-14M09-00	.GASKET	1	OIL PAN (REF #6)
8	90430-08020-00	.GASKET	1	LOWER CASING DRIVE 1 (REF # 34)
9	61N-45371-00-00	TAB-TRIM	1	LOWER CASING DRIVE 2 (REF #7)
10	61N-45251-01-00	ANODE	1	LOWER CASING DRIVE 1 (REF #30)
11	65W-45251-00-00	ANODE	1	BRACKET 1 (REF #18)

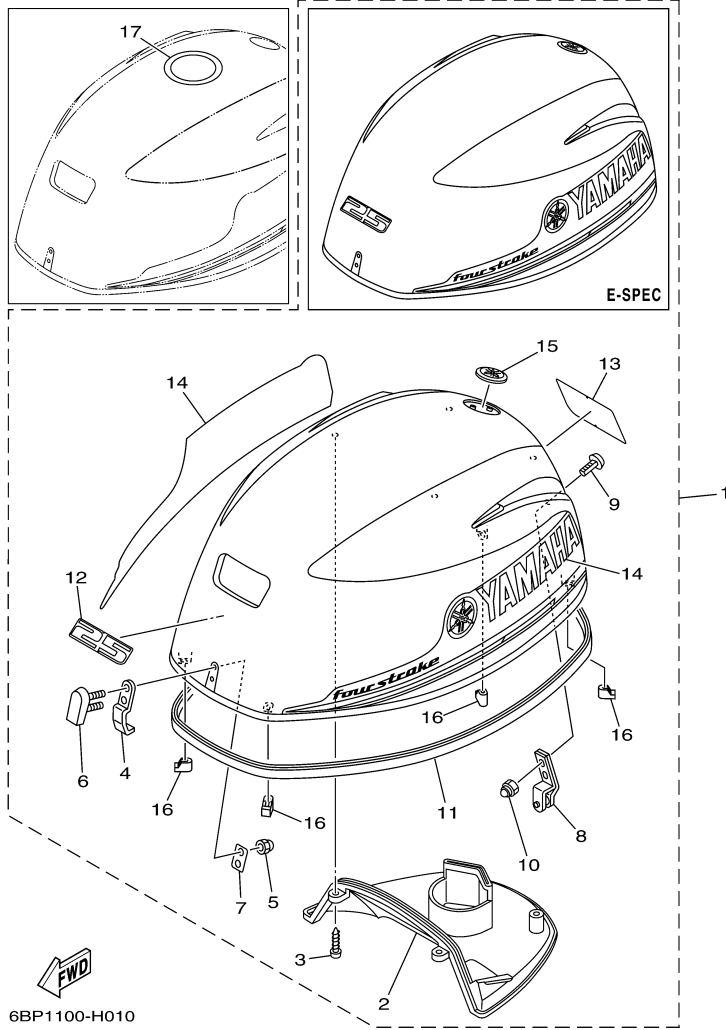
## Part Notes

F25SEA 0410 / SCHEDULED SERVICE PARTS

PART NUMBER		NOTE TEXT
90430-14M09-00		OEM: This part number is among the Top 100 Most Popular Marine Maintenance Parts as of March 2014.
90430-08020-00		OEM: This part number is among the Top 100 Most Popular Marine Maintenance Parts as of March 2014.
65W-45251-00-00		OEM: This part number is among the Top 100 Most Popular Marine Maintenance Parts as of March 2014.

©2014 Yamaha Motor Corporation, U.S.A. All rights reserved.

F25SEA 0410 / TOP COWLING



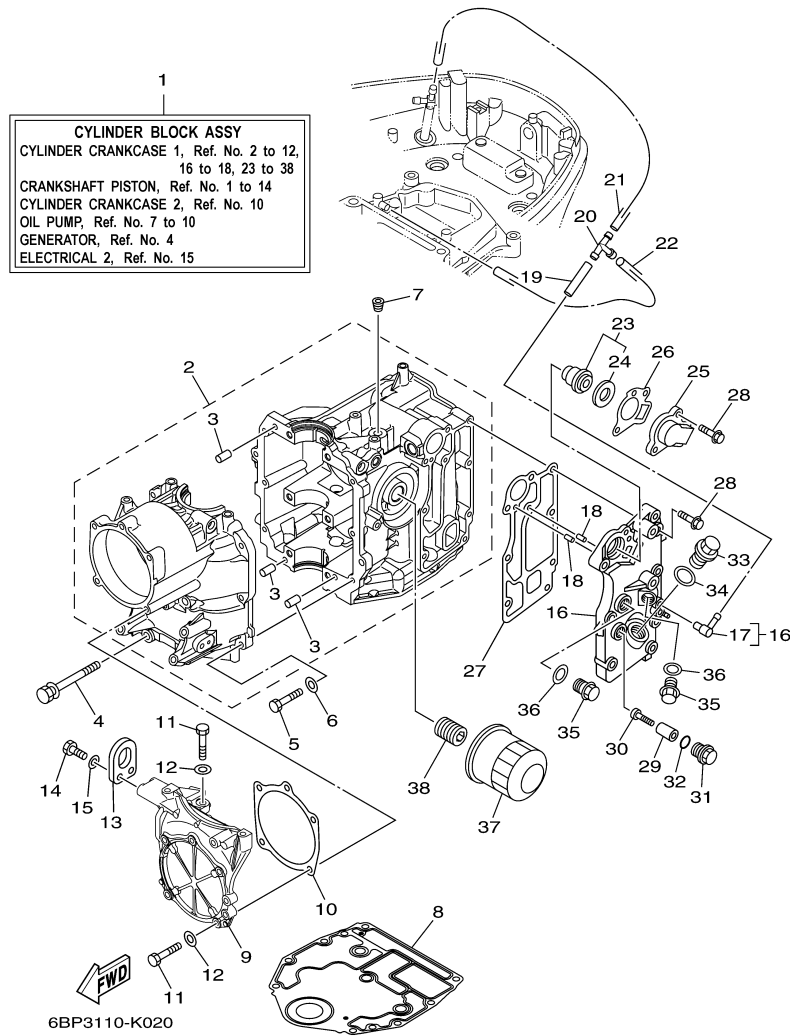
©2014 Yamaha Motor Corporation, U.S.A. All rights reserved.

## Part List

F25SEA 0410 / TOP COWLING

REF - NO	PART NUMBER	PART NAME	QUANTITY	REMARKS
1	6BP-42610-10-00	TOP COWLING ASSY	1	
2	6BL-42613-00-00	.MOLDING, AIR DUCT	1	
3	97780-50616-00	.SCREW, TAPPING	4	
4	6BL-42651-00-00	.HOOK	1	
5	95380-05800-00	.NUT	2	
6	6BG-42851-00-00	.COVER, CLAMP	1	
7	6BG-42649-00-00	.HOLDER, CLAMP BAND	1	
8	6BL-42652-00-00	.HOOK	1	
9	90109-06047-00	.BOLT	2	
10	90185-06M05-00	.NUT, SELF-LOCKING	2	
11	6CJ-42615-00-00	.SEAL	1	
12	6BP-42677-00-00	.GRAPHIC, FRONT	1	
13	6BP-42678-00-00	.GRAPHIC, REAR	1	
14	6BP-W0070-00-00	.GRAPHIC SET	1	
15	6AH-42697-01-00	.TUNING FORK MARK	1	
16	6BG-42662-00-00	.DAMPER	4	
17	67F-13434-20-00	LABEL, CAUTION	1	

F25SEA 0410 / CYLINDER CRANKCASE 1



©2014 Yamaha Motor Corporation, U.S.A. All rights reserved.

## Part List

F25SEA 0410 / CYLINDER CRANKCASE 1

REF - NO	PART NUMBER	PART NAME	QUANTITY	REMARKS
1	6BL-W009B-00-1S	CYLINDER BLOCK ASSY	1	
2	6BL-15100-01-00	CRANKCASE ASSY	1	
3	93606-12019-00	.PIN, DOWEL	3	
4	90119-08M01-00	BOLT, WITH WASHER	6	
5	97013-06025-00	BOLT	7	
6	92903-06600-00	WASHER, PLATE	7	
7	90344-51003-00	PLUG, TAPER SCREW	1	
8	6BG-11351-00-00	.GASKET, CYLINDER	1	
9	6BL-15121-00-1S	CRANKCASE 2	1	
10	6BL-15663-00-00	.SEAL	1	
11	97013-06025-00	BOLT	6	
12	92903-06600-00	WASHER, PLATE	6	
13	62Y-11119-00-00	HANGER, ENGINE	1	
14	97095-06020-00	BOLT	2	
15	92995-06600-00	WASHER	2	
16	6BL-41113-00-1S	OUTER COVER, EXHAUST	1	
17	676-11372-00-00	.NIPPLE, HOSE	1	
18	93604-10M03-00	PIN, DOWEL	2	
19	90445-09057-00	HOSE (L43)	1	
20	688-24378-00-00	PIPE, JOINT 3	1	
21	90445-09251-00	HOSE (L350)	1	
22	90445-09104-00	HOSE (L300)	1	
23	6G8-12411-03-00	THERMOSTAT	1	
24	688-12412-00-00	.SEAL, THERMOSTAT	1	
25	6C5-12413-00-9S	COVER, THERMOSTAT	1	
26	62Y-12414-00-00	.GASKET, COVER	1	
27	6BL-41114-00-00	.GASKET, EXHAUST OUTER COVER	1	
28	90119-06MA5-00	BOLT, WITH WASHER	8	
29	6G8-11325-00-00	ANODE	1	
30	97880-05025-00	SCREW, PAN HEAD	1	
31	6G8-11197-01-00	PLUG, BLIND	1	
32	93210-13M63-00	.O-RING	1	
33	90340-18M09-00	PLUG, STRAIGHT SCREW	1	
34	90430-18130-00	.GASKET	1	
35	90340-14M06-00	PLUG, STRAIGHT SCREW	2	
36	90430-14115-00	.GASKET	2	
37	5GH-13440-20-00	ELEMENT ASSY, OIL CLEANER	1	
38	6C5-12858-00-00	BOLT, UNION	1	

## Part Notes

F25SEA 0410 / CYLINDER CRANKCASE 1

PART NUMBER	NOTE TEXT
62Y-12414-00-00 	OEM: This part number is among the Top 100 Most Popular Marine Maintenance Parts as of March 2014.

©2014 Yamaha Motor Corporation, U.S.A. All rights reserved.

F25SEA 0410 / CRANKSHAFT PISTON



6BP1100-H030

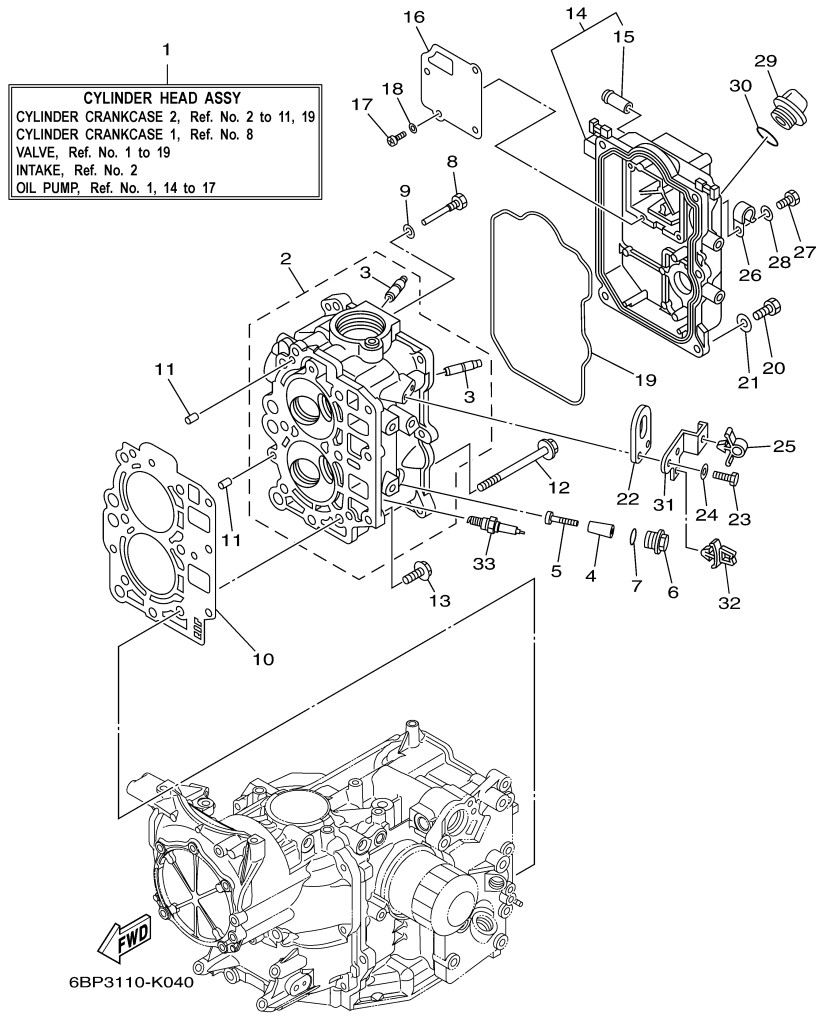
## Part List

F25SEA 0410 / CRANKSHAFT PISTON

REF - NO	PART NUMBER	PART NAME	QUANTITY	REMARKS
1	6BL-11411-00-00	CRANKSHAFT	1	
2	6BG-11416-10-00	PLANE BEARING, CRANKSHAFT 1	6	UR RED
2	6BG-11416-30-00	PLANE BEARING, CRANKSHAFT 1	6	UR GREEN
2	6BG-11416-20-00	PLANE BEARING, CRANKSHAFT 1	6	UR PINK
3	6C5-11650-00-00	CONNECTING ROD ASSY	2	
4	6C5-11654-00-00	.BOLT, CONNECTING ROD	2	
5	6CJ-11656-20-00	PLANE BEARING, CONNECTING ROD	4	UR PINK
5	6CJ-11656-10-00	PLANE BEARING, CONNECTING ROD	4	UR RED
5	6CJ-11656-30-00	PLANE BEARING, CONNECTING ROD	4	UR GREEN
6	69W-11631-01-97	PISTON (STD)	2	
6	69W-11636-01-00	PISTON (0.50MM O/S)	2	AP
6	69W-11635-01-00	PISTON (0.25MM O/S)	2	AP
7	67C-11603-00-00	PISTON RING SET (STD)	2	
7	67C-11604-00-00	PISTON RING SET (0.25MM O/S)	2	AP
7	67C-11605-00-00	PISTON RING SET (0.50MM O/S)	2	AP
8	62Y-11633-00-00	PIN, PISTON	2	
9	93450-17129-00	CIRCLIP	4	
10	6BL-11665-00-00	CONNECTING ROD ASSY 3	1	
11	6BL-11642-00-00	PISTON 2 (STD)	1	
12	90170-20137-00	NUT	1	
13	93102-43M42-00	.OIL SEAL	1	
14	93101-35002-00	.OIL SEAL	1	



F25SEA 0410 / CYLINDER CRANKCASE 2



©2014 Yamaha Motor Corporation, U.S.A. All rights reserved.

## Part List

F25SEA 0410 / CYLINDER CRANKCASE 2

REF - NO	PART NUMBER	PART NAME	QUANTITY	REMARKS
1	6BL-W009A-00-1S	CYLINDER HEAD COMPLETE	1	
2	6BL-11111-00-1S	HEAD, CYLINDER 1	1	
3	62Y-11133-30-00	.GUIDE, VALVE 1	4	
4	6BL-11325-00-00	ANODE	2	
5	98980-05035-00	SCREW, BIND	2	
6	6G8-11197-01-00	PLUG, BLIND	2	
7	93210-13M63-00	.O-RING	2	
8	90109-06M65-00	BOLT	1	
9	90430-06014-00	.GASKET	1	
10	6BL-11181-00-00	.GASKET, CYLINDER HEAD 1	1	
11	93606-12019-00	.PIN, DOWEL	2	
12	90105-09005-00	BOLT, FLANGE	6	
13	90119-06MA3-00	BOLT, WITH WASHER	3	
14	6BL-11191-00-1S	COVER, CYLINDER HEAD 1	1	
15	62Y-14485-00-00	.PIPE, JOINT	1	
16	6BG-11168-00-00	COVER, BREATHER	1	
17	98507-04010-00	SCREW, PAN HEAD	4	
18	92907-04600-00	WASHER	4	
19	6BL-11356-00-00	.SEAL, CYLINDER 2	1	
20	97095-06020-00	BOLT	5	
21	92995-06600-00	WASHER	5	
22	62Y-11119-00-00	HANGER, ENGINE	1	
23	97095-06020-00	BOLT	2	
24	92995-06600-00	WASHER	2	
25	90464-09023-00	CLAMP	1	
26	90465-08M83-00	CLAMP	1	
27	97095-06012-00	BOLT	1	
28	92995-06600-00	WASHER	1	
29	6G8-15363-00-00	PLUG, OIL	1	
30	93210-24M79-00	.O-RING	1	
31	6BL-82398-00-00	PLATE 3	1	
32	90464-06001-00	CLAMP	1	
33	DPR-6EB90-00-00	PLUG, SPARK (NGK DPR6EB)	2	

F25SEA 0410 / VALVE



6BP1100-H050

©2014 Yamaha Motor Corporation, U.S.A. All rights reserved.

## Part List

F25SEA 0410 / VALVE

REF - NO	PART NUMBER	PART NAME	QUANTITY	REMARKS
1	69W-12111-00-00	VALVE, INTAKE	2	
2	69W-12121-00-00	VALVE, EXHAUST	2	
3	62Y-12116-00-00	SEAT, VALVE SPRING	4	
4	51Y-12114-00-00	SPRING, VALVE OUTER	4	
5	30X-12117-00-00	RETAINER, VALVE SPRING	4	
6	30X-12118-00-00	LOCK, VALVE SPRING RETAINER	8	
7	51Y-12119-00-00	SEAL, VALVE STEM	4	
8	6BL-12146-00-00	SHAFT, ROCKER	1	
9	62Y-12151-00-00	ARM, VALVE ROCKER	1	
10	64J-12159-00-00	SCREW, VALVE ADJUSTING	1	
11	62Y-12158-00-00	NUT, LOCK	1	
12	6C5-12151-00-00	ARM, VALVE ROCKER	3	
13	6C5-12159-00-00	SCREW, VALVE ADJUSTING	3	
14	6C5-12158-00-00	NUT, LOCK	3	
15	6BL-12231-00-00	GUIDE, STOPPER 1	1	
16	6BL-12233-00-00	PLATE, GUIDE STOPPER 1	1	
17	90201-16014-00	WASHER, PLATE	4	
18	90105-08060-00	BOLT, FLANGE	3	
19	92990-08200-00	WASHER, PLAIN	2	

F25SEA 0410 / INTAKE



6BP1100-H060

©2014 Yamaha Motor Corporation, U.S.A. All rights reserved.

## Part List

F25SEA 0410 / INTAKE

REF - NO	PART NUMBER	PART NAME	QUANTITY	REMARKS
1	6BL-13641-00-94	MANIFOLD, INTAKE 1	1	
2	6BL-13645-00-00	.GASKET, MANIFOLD 1	1	
3	97595-06555-00	BOLT, WITH WASHER	4	
4	91690-50014-00	PIN, SPRING	2	
5	90465-08M83-00	CLAMP	1	
6	97095-06016-00	BOLT	1	
7	92995-06600-00	WASHER	1	
8	6BL-13646-00-00	.GASKET, MANIFOLD 2	2	
9	6BL-14271-00-00	INSULATOR	1	
10	6BL-14440-00-00	SILENCER ASSY, INTAKE	1	
11	93210-39ME4-00	.O-RING	1	
12	95895-06100-00	BOLT, FLANGE	2	
13	6BL-15373-00-00	PIPE, BREATHER	1	
14	90109-06MA1-00	BOLT	1	
15	90480-16616-00	GROMMET	1	
16	90464-09M47-00	CLAMP	1	

F25SEA 0410 / CARBURETOR



©2014 Yamaha Motor Corporation, U.S.A. All rights reserved.

## Part List

F25SEA 0410 / CARBURETOR

REF - NO	PART NUMBER	PART NAME	QUANTITY	REMARKS
1	6BL-14301-00-00	CARBURETOR ASSY 1	1	
2	98580-04006-00	.SCREW, PAN HEAD	1	
3	65W-14572-00-00	.PLATE	1	
4	65W-14126-10-00	.GASKET	1	
5	97803-04010-00	.SCREW, PAN HEAD	4	
6	676-14948-05-00	.JET (#45)	1	
7	679-14966-00-00	.RUBBER CAP	1	
8	90501-10326-00	.SPRING, COMPRESSION	1	
9	63V-14523-00-00	.SCREW, STOP	1	
10	65W-14947-90-00	.JET, NEEDLE	1	
11	65W-14943-79-00	.JET, MAIN (#108)	1	
12	63V-14985-00-00	.FLOAT	1	
13	6AH-14546-00-00	.VALVE, NEEDLE	1	
14	663-14159-00-00	.CLIP	1	
15	98580-04008-00	.SCREW, PAN HEAD	1	
16	6H4-14548-00-00	.PIN, FLOAT ARM	1	
17	65W-14373-02-00	.COVER, PLUNGER CAP	1	
18	65W-1439G-00-00	.CLIP 1	1	
19	65W-14379-00-00	.ROD, STARTER	1	
20	67C-14923-00-00	.SCREW, PILOT	1	
21	67C-14397-00-00	.O-RING	1	
22	67C-14555-00-00	.SPRING	1	
23	65W-14335-00-00	.SPRING, PLUNGER	1	
24	65W-14371-00-00	.PLUNGER, STARTER	1	
25	65W-14384-00-00	.GASKET, FLOAT CHAMBER	1	
26	65W-14980-20-00	.BODY, FLOAT CHAMBER	1	
27	65W-14398-00-00	.GASKET	1	
28	65W-14992-00-00	.SCREW, DRAIN	1	
29	97980-04114-00	.SCREW, WITH WASHER	4	
30	6BL-14380-00-00	.PRIME STARTER ASSY	1	
31	65W-14346-00-00	.PLATE	1	
32	67C-14567-00-00	.SCREW	1	
33	67F-14255-00-00	.PLATE	1	
34	65W-14807-00-00	.HOSE COMP	1	
35	6BL-14346-00-00	.PLATE	1	
36	97980-04108-00	.SCREW, WITH WASHER	2	
37	67C-1432A-10-00	.PLUG	1	

## Part Notes

F25SEA 0410 / CARBURETOR

PART NUMBER	NOTE TEXT
6BL-14380-00-00	 OEM: The O-Ring for sealing this part to the carburetor body is not shown separately. The Part Number for the O-Ring is 93210-17001-00.

©2014 Yamaha Motor Corporation, U.S.A. All rights reserved.



F25SEA 0410 / OIL PUMP



©2014 Yamaha Motor Corporation, U.S.A. All rights reserved.

## Part List

F25SEA 0410 / OIL PUMP

REF - NO	PART NUMBER	PART NAME	QUANTITY	REMARKS
1	6BL-12171-00-00	CAMSHAFT 1	1	
2	6C5-11537-00-00	GEAR, DRIVEN	1	
3	93605-17002-00	PIN, DOWEL	1	
4	95817-10035-00	BOLT, FLANGE	1	
5	90201-10144-00	WASHER, PLATE	1	
6	6C5-46241-00-00	BELT	1	
7	6C5-11536-00-00	GEAR, DRIVE	1	
8	62Y-11557-00-00	WASHER 1	1	
9	90179-35001-00	NUT	1	
10	90280-03M01-00	.KEY, WOODRUFF	1	
11	6BL-46297-00-00	COVER, DUST	1	
12	90480-12314-00	GROMMET	4	
13	6BL-42617-00-00	DAMPER, FORM	1	
14	6BL-13300-00-00	OIL PUMP ASSY	1	
15	6C5-13329-00-00	.GASKET, PUMP COVER	1	
16	90119-06025-00	BOLT, WITH WASHER	4	
17	93102-37M40-00	.OIL SEAL	1	
18	6BP-13437-40-00	MARK, CAUTION	1	

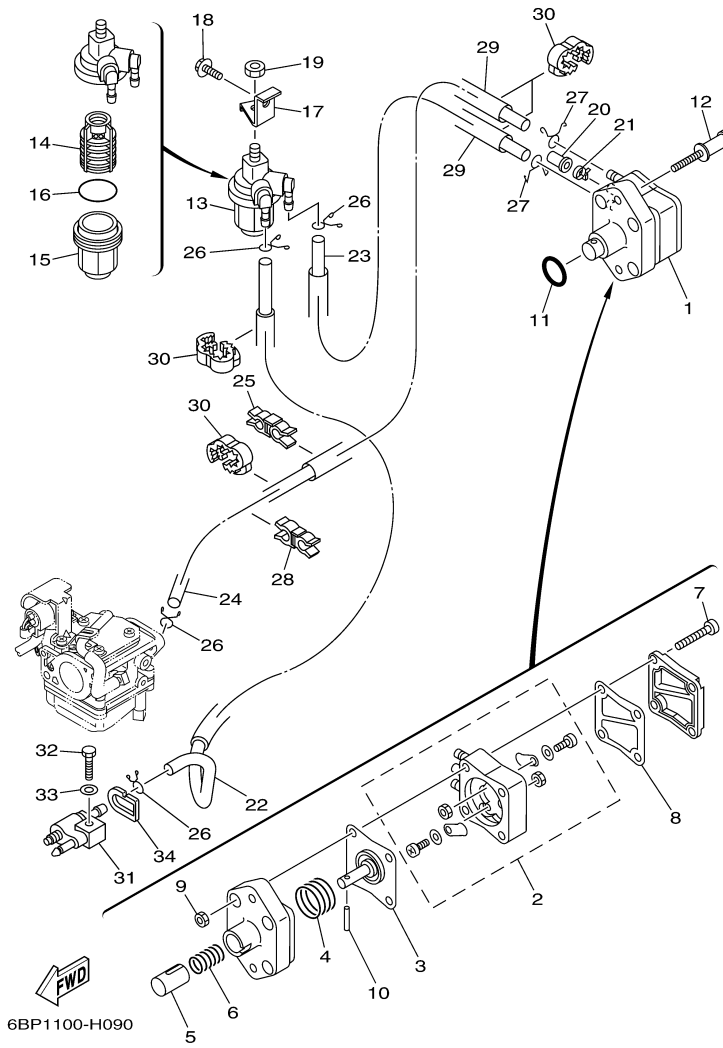
## Part Notes

F25SEA 0410 / OIL PUMP

PART NUMBER	NOTE TEXT
90480-12314-00 	OEM: GROMMET used on F115TLR and F/LF115TXR 0510 Production and Later

©2014 Yamaha Motor Corporation, U.S.A. All rights reserved.

F25SEA 0410 / FUEL 1



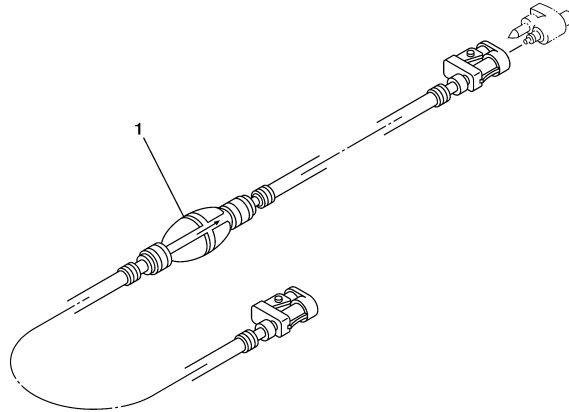
©2014 Yamaha Motor Corporation, U.S.A. All rights reserved.

## Part List

F25SEA 0410 / FUEL 1

REF - NO	PART NUMBER	PART NAME	QUANTITY	REMARKS
1	62Y-24410-04-00	FUEL PUMP ASSY	1	
2	62Y-24415-01-00	.BODY 4	1	
3	62Y-24411-02-00	.DIAPHRAGM	1	
4	62Y-24423-00-00	.SPRING, DIAPHRAGM	1	
5	62Y-13131-01-00	.PLUNGER	1	
6	62Y-24454-00-00	.SPRING	1	
7	62Y-24444-01-00	.SCREW	4	
8	6C5-24471-00-00	.DIAPHRAGM	1	
9	95380-05600-00	.NUT	4	
10	62Y-24374-01-00	.PIN	1	
11	93210-24M79-00	.O-RING	1	
12	90109-06266-00	BOLT	2	
13	61N-24560-00-00	FILTER ASSY	1	
14	61N-24563-00-00	.ELEMENT, FILTER	1	
15	61N-24521-00-00	.CUP, FILTER	1	
16	93210-32738-00	.O-RING	1	
17	6D5-24566-00-00	BRACKET, FILTER	1	
18	95895-08016-00	BOLT, FLANGE	1	
19	95380-08600-00	NUT	1	
20	6BL-24481-00-00	PLUG	1	
21	90465-11M10-00	CLAMP	1	
22	6BL-24311-00-00	PIPE, FUEL 1	1	
23	90445-10M20-00	HOSE (L150)	1	
24	90445-10MG7-00	HOSE (L350)	1	
25	90464-10M59-00	CLAMP	1	
26	90467-09M17-00	CLIP	4	
27	90467-10M04-00	CLIP	2	
28	90464-11009-00	CLAMP	1	
29	90446-15003-00	HOSE (L100)	2	
30	90464-13227-00	CLAMP	4	
31	6G1-24304-02-00	FUEL PIPE JOINT COMP. 1	1	
32	97095-06025-00	BOLT	1	
33	92995-06600-00	WASHER	1	
34	61N-24329-00-00	SEAL	1	

F25SEA 0410 / FUEL 2



6BP1110-H100

©2014 Yamaha Motor Corporation, U.S.A. All rights reserved.

## Part List

F25SEA 0410 / FUEL 2

REF - NO	PART NUMBER	PART NAME	QUANTITY	REMARKS
1	6YK-24306-60-00	FUEL PIPE COMP. 1	1	AP

F25SEA 0410 / STARTER



©2014 Yamaha Motor Corporation, U.S.A. All rights reserved.

F25SEA 0410 / GENERATOR



©2014 Yamaha Motor Corporation, U.S.A. All rights reserved.

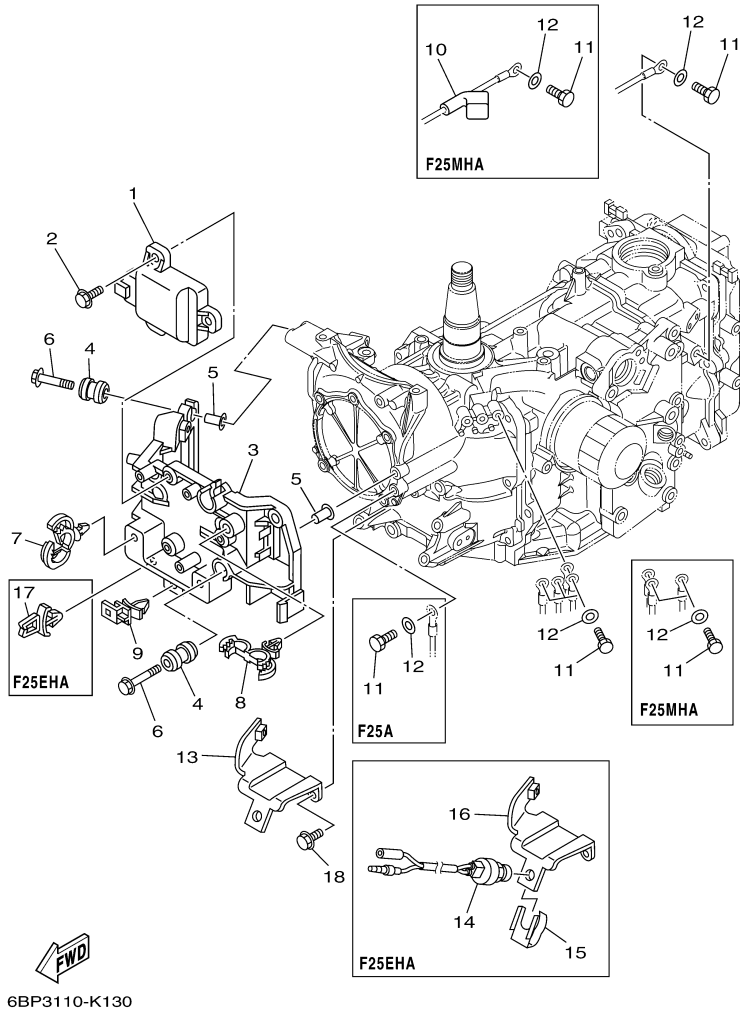


## Part List

F25SEA 0410 / GENERATOR

REF - NO	PART NUMBER	PART NAME	QUANTITY	REMARKS
1	6BL-85550-00-00	ROTOR ASSY	1	
2	6BL-85510-00-00	STATOR ASSY	1	
3	6AH-85580-00-00	COIL, PULSER	1	
4	6H4-11545-00-00	KEY, WOODRUFF	1	
5	90201-21M18-00	WASHER, PLATE	1	
6	90170-20137-00	NUT	1	
7	95023-06030-00	BOLT	3	
8	6BG-85561-00-94	BASE, MAGNETO	1	
9	95023-06025-00	BOLT	4	
10	97095-05016-00	.BOLT	2	
11	92995-05600-00	WASHER	2	
12	6BL-81337-00-00	COVER, FLYWHEEL	1	
13	97095-06020-00	BOLT	3	
14	92995-06600-00	WASHER	3	
15	90464-12183-00	CLAMP	2	
16	6AH-81994-40-00	LABEL, SAFETY	1	
17	6AH-81995-40-00	LABEL, WARNING	1	
18	6AG-81996-00-00	MARK	1	

F25SEA 0410 / ELECTRICAL 1



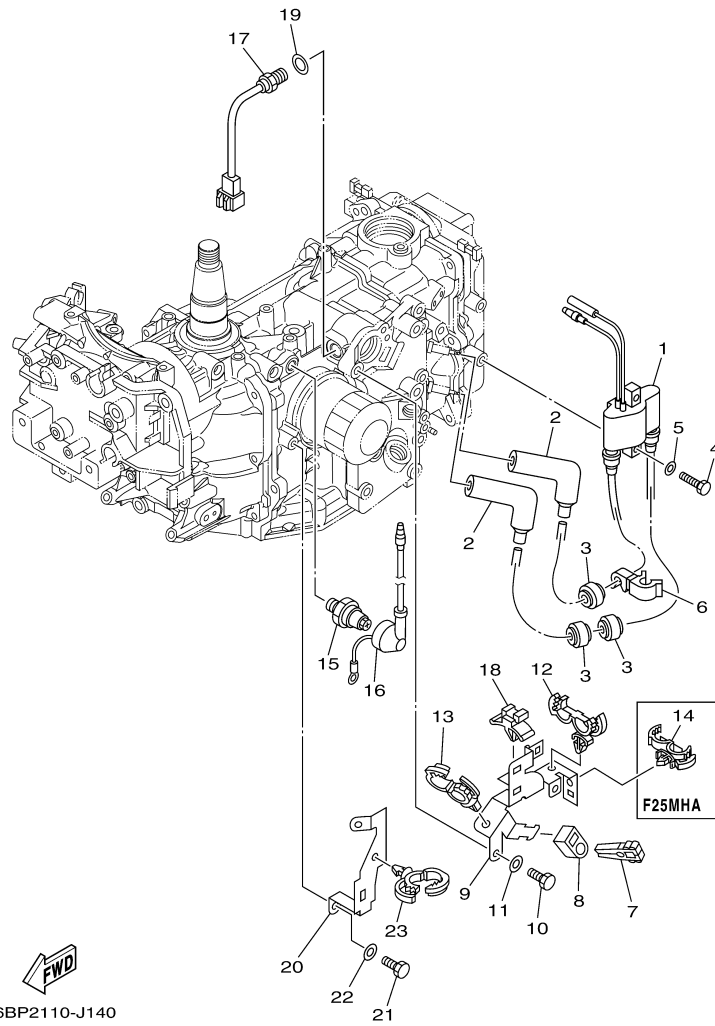
©2014 Yamaha Motor Corporation, U.S.A. All rights reserved.

## Part List

F25SEA 0410 / ELECTRICAL 1

REF - NO	PART NUMBER	PART NAME	QUANTITY	REMARKS
1	6BL-85540-00-00	C.D.I. UNIT ASSY	1	
2	97575-06520-00	BOLT, WITH WASHER	3	
3	6BL-81948-00-00	BRACKET	1	
4	6A0-82317-00-00	DAMPER, IGNITION COIL	4	
5	90387-06119-00	COLLAR	4	
6	95895-06030-00	BOLT, FLANGE	4	
7	90464-13249-00	CLAMP	2	
8	90464-18246-00	CLAMP	2	
9	90464-12002-00	.CLAMP	1	
11	97095-06016-00	BOLT	4	
12	92995-06600-00	WASHER	4	
13	6BL-82554-00-00	STAY, NEUTRAL SWITCH	1	
18	95895-06014-00	BOLT, FLANGE	2	

F25SEA 0410 / ELECTRICAL 2



©2014 Yamaha Motor Corporation, U.S.A. All rights reserved.

## Part List

F25SEA 0410 / ELECTRICAL 2

REF - NO	PART NUMBER	PART NAME	QUANTITY	REMARKS
1	6F5-85570-13-00	IGNITION COIL ASSY	1	
2	6AH-82370-00-00	PLUG CAP ASSY	2	
3	90480-25003-00	GROMMET	3	
4	97095-06025-00	BOLT	2	
5	92995-06600-00	WASHER	2	
6	90464-09018-00	CLAMP	1	
7	67F-2812A-00-00	.PULLER, FUSE	1	
8	67C-82155-00-00	BAND	1	
9	6BL-8339X-00-00	CLAMP, CORD	1	
10	97095-06016-00	BOLT	2	
11	92995-06600-00	WASHER	2	
12	90464-18246-00	CLAMP	1	
13	90464-20181-00	CLAMP	1	
15	64J-82504-00-00	OIL PRESSURE SWITCH ASSY	1	
16	68V-81315-00-00	LEAD WIRE ASSY	1	
17	6CJ-85790-00-00	THERMOSENSOR ASSY	1	
18	90464-09M47-00	CLAMP	1	
19	90430-14115-00	.GASKET	1	
20	6BL-82389-00-00	PLATE 2	1	
21	97095-06016-00	BOLT	2	
22	92995-06600-00	WASHER	2	
23	90464-20181-00	CLAMP	1	

F25SEA 0410 / ELECTRICAL 3



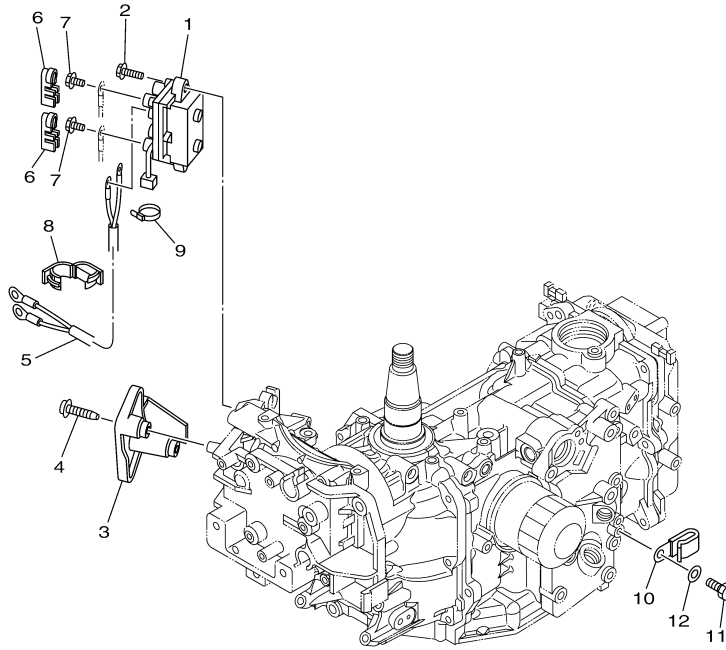
©2014 Yamaha Motor Corporation, U.S.A. All rights reserved.

## Part List

F25SEA 0410 / ELECTRICAL 3

REF - NO	PART NUMBER	PART NAME	QUANTITY	REMARKS
1	6BL-81960-00-00	RECTIFIER & REGULATOR ASSY	1	
2	97095-06040-00	.BOLT	2	
3	92995-06600-00	WASHER	2	
4	68T-81940-00-00	STARTER RELAY ASSY	1	
5	97595-06610-00	BOLT, WITH WASHER	2	
6	6G5-82119-10-00	COVER, LEAD WIRE	2	
7	6BL-8182A-00-00	NUT	1	
8	6BL-81925-00-00	TERMINAL	1	
9	6BL-8183X-00-00	CAP, TERMINAL	1	
10	97013-08045-00	BOLT	3	
11	92903-08600-00	WASHER, PLATE	3	
12	6BL-81822-00-00	BRACKET, STARTING MOTOR	1	
13	99590-10114-00	.PIN, DOWEL	2	
14	97013-08045-00	BOLT	2	
15	92903-08600-00	WASHER, PLATE	2	
16	6BL-81823-00-00	STAY, STARTING MOTOR	1	
17	97575-06520-00	BOLT, WITH WASHER	1	
18	6BL-82105-00-00	BATTERY CABLE	1	
19	90179-08003-00	NUT	1	
20	90464-18001-00	CLAMP	1	
21	90159-05M12-00	SCREW, WITH WASHER	1	

F25SEA 0410 / ELECTRICAL 4

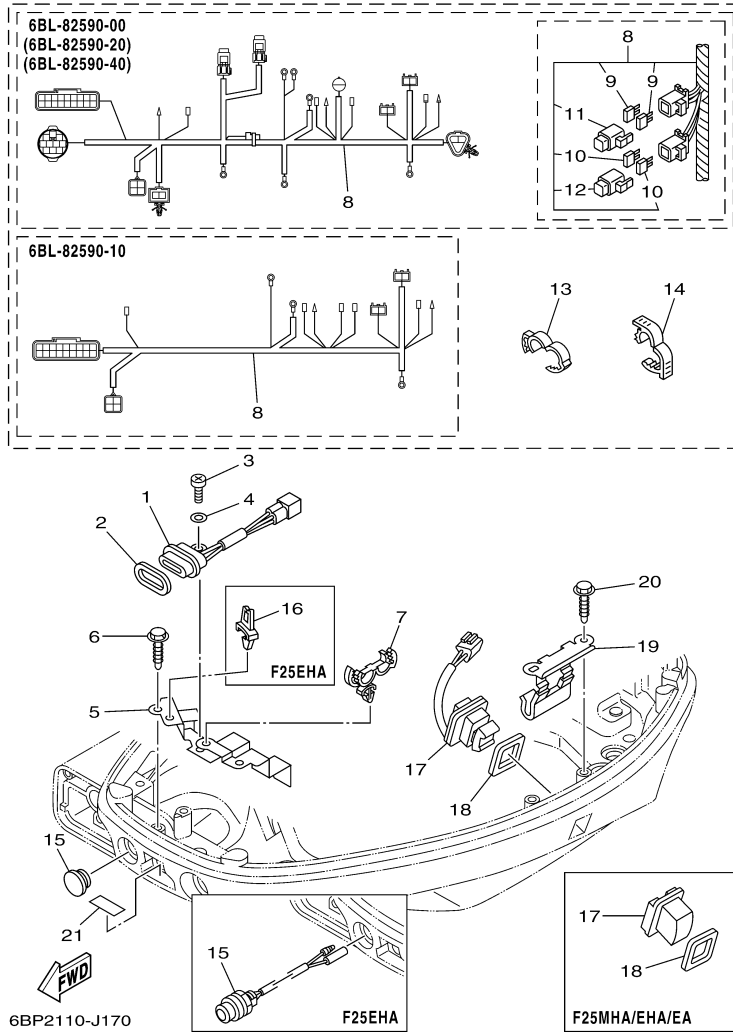


6BP3110-K160

©2014 Yamaha Motor Corporation, U.S.A. All rights reserved.



F25SEA 0410 / ELECTRICAL 5



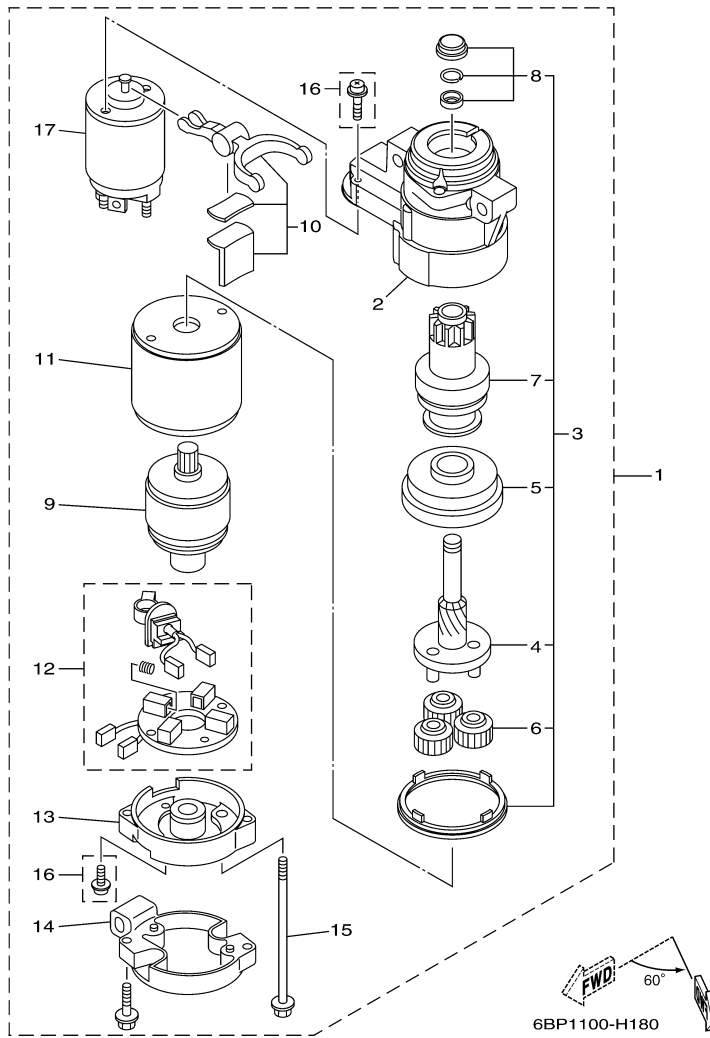
©2014 Yamaha Motor Corporation, U.S.A. All rights reserved.

## Part List

F25SEA 0410 / ELECTRICAL 5

REF - NO	PART NUMBER	PART NAME	QUANTITY	REMARKS
1	62Y-84301-00-00	PILOT LIGHT ASSY 1	1	
2	6H4-83589-00-00	GASKET	1	
3	97885-06012-00	SCREW, PAN HEAD	1	
4	92995-06600-00	WASHER	1	
5	6BL-82388-00-00	PLATE	1	
6	90109-06M86-00	BOLT	2	
7	90464-18246-00	CLAMP	1	
8	6BL-82590-20-00	WIRE HARNESS ASSY	1	
9	67F-82151-00-00	.FUSE (20A)	2	
10	67F-82151-10-00	.FUSE (30A)	2	
11	67F-8215B-10-00	.CAP (YELLOW)	1	
12	67F-8215B-20-00	.CAP (GREEN)	1	
13	90464-18001-00	CLAMP	1	
14	90464-18001-00	CLAMP	1	
15	6G1-42725-00-00	GROMMET	1	
17	69J-42723-00-8D	COVER, BOTTOM	1	
18	69J-82587-00-00	GASKET	1	
19	63P-83614-01-00	BRACKET	1	
20	90109-06M86-00	BOLT	2	
21	67C-85415-00-00	MARK, SIGNAL LAMP	1	

F25SEA 0410 / STARTING MOTOR



©2014 Yamaha Motor Corporation, U.S.A. All rights reserved.

## Part List

F25SEA 0410 / STARTING MOTOR

REF - NO	PART NUMBER	PART NAME	QUANTITY	REMARKS
1	6BG-81800-00-00	STARTING MOTOR ASSY	1	
2	6BG-81830-00-00	.FRONT BRACKET ASSY	1	
3	6BG-81807-00-00	.GEAR ASSY, STARTING MOTOR	1	
4	6BG-81836-00-00	..SPRING, LEVER	1	
5	6BG-81891-00-00	..GEAR, RING	1	
6	6AW-8183T-00-00	..GEAR, IDLER	3	
7	6BG-81832-00-00	..CLUTCH, OVER RUN	1	
8	6BG-81857-00-00	..RETAINER	1	
9	6BG-81850-00-00	.ARMATURE ASSY	1	
10	6BG-81839-00-00	.LEVER ASSY	1	
11	6BG-81810-00-00	.STATOR ASSY	1	
12	6BG-81840-00-00	.BRUSH HOLDER ASSY	1	
13	6BG-81820-00-00	.REAR BRACKET ASSY	1	
14	6BG-8182J-00-00	.BRACKET COMPLETE	1	
15	6BG-81826-00-00	.BOLT	2	
16	6BG-81846-00-00	.SCREW SET	1	
17	6BG-81941-00-00	.STARTER RELAY ASSY	1	

F25SEA 0410 / BOTTOM COWLING 1



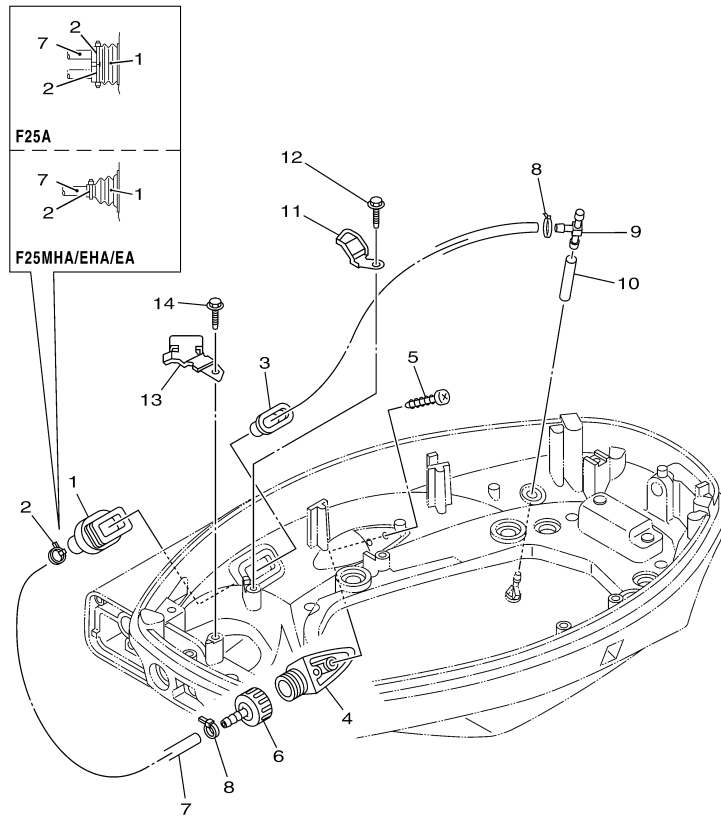
©2014 Yamaha Motor Corporation, U.S.A. All rights reserved.

## Part List

F25SEA 0410 / BOTTOM COWLING 1

REF - NO	PART NUMBER	PART NAME	QUANTITY	REMARKS
1	6BP-42710-00-4D	BOTTOM COWLING ASSY	1	
2	90119-06M61-00	BOLT, WITH WASHER	4	
3	6BG-42748-00-00	GROMMET	4	
4	90387-06060-00	COLLAR	4	
5	65W-42717-00-00	RUBBER, SEAL 2	2	
6	61A-42717-00-00	RUBBER, SEAL 2	2	
7	62Y-42716-00-00	RUBBER, SEAL 1	1	
8	6BL-42761-00-00	.STOPPER	1	
9	6BL-42725-01-00	GROMMET	1	
11	6BL-42727-00-00	.GROMMET	1	
12	90109-06M86-00	BOLT	2	
13	6BL-42815-00-4D	LEVER, CLAMP	1	
14	90386-12M37-00	BUSH	1	
15	90386-12MA2-00	BUSH	1	
16	90206-12052-00	WASHER, WAVE	1	
17	90201-12M07-00	WASHER, PLATE	1	
18	6BG-42816-00-00	LEVER, CLAMP	1	
19	97095-06012-00	BOLT	1	
20	66T-43144-00-00	HOOK, SPRING	1	
21	90109-06M86-00	BOLT	1	
22	90506-18023-00	SPRING, TENSION	1	
23	68U-42727-00-00	GROMMET	1	
24	6BP-42741-00-00	APRON	1	
25	60V-42756-00-00	STAY, CLAMP	1	
26	97980-04245-00	SCREW, WITH WASHER	1	
27	90109-06M86-00	BOLT	2	
28	97095-06014-00	BOLT	2	
29	92995-06600-00	WASHER	2	
30	90480-13M24-00	GROMMET	2	
31	90387-06M43-00	COLLAR	2	
33	6BL-44391-00-00	NIPPLE, HOSE	1	
34	65W-42726-10-00	.GROMMET	1	
35	6BL-48538-00-00	.CLAMP, CABLE 1	1	
36	90109-06M86-00	BOLT	1	
37	6C5-82377-00-00	LABEL	1	
38	6AH-42794-40-00	LABEL, WARNING (GENERAL)	1	

F25SEA 0410 / BOTTOM COWLING 2



6BP2110-J200

©2014 Yamaha Motor Corporation, U.S.A. All rights reserved.

## Part List

F25SEA 0410 / BOTTOM COWLING 2

REF - NO	PART NUMBER	PART NAME	QUANTITY	REMARKS
1	6BG-42724-00-00	GROMMET	1	
2	90465-11M10-00	CLAMP	1	
3	6BG-42384-00-00	SEAL, CAP	1	
4	6AW-12572-00-00	ADAPTER	1	
5	97780-60520-00	SCREW, TAPPING	2	
6	6R3-12580-00-00	JOINT ASSY	1	
7	90445-11153-00	HOSE (L460)	1	
8	90465-11M10-00	CLAMP	2	
9	6C5-24378-00-00	PIPE, JOINT 3	1	
10	90445-09057-00	HOSE (L43)	1	
11	6BL-24396-00-00	PLATE	1	
12	90109-06M86-00	BOLT	1	
13	6BL-24364-00-00	STAY	1	
14	90109-06M86-00	BOLT	1	



F25SEA 0410 / STEERING



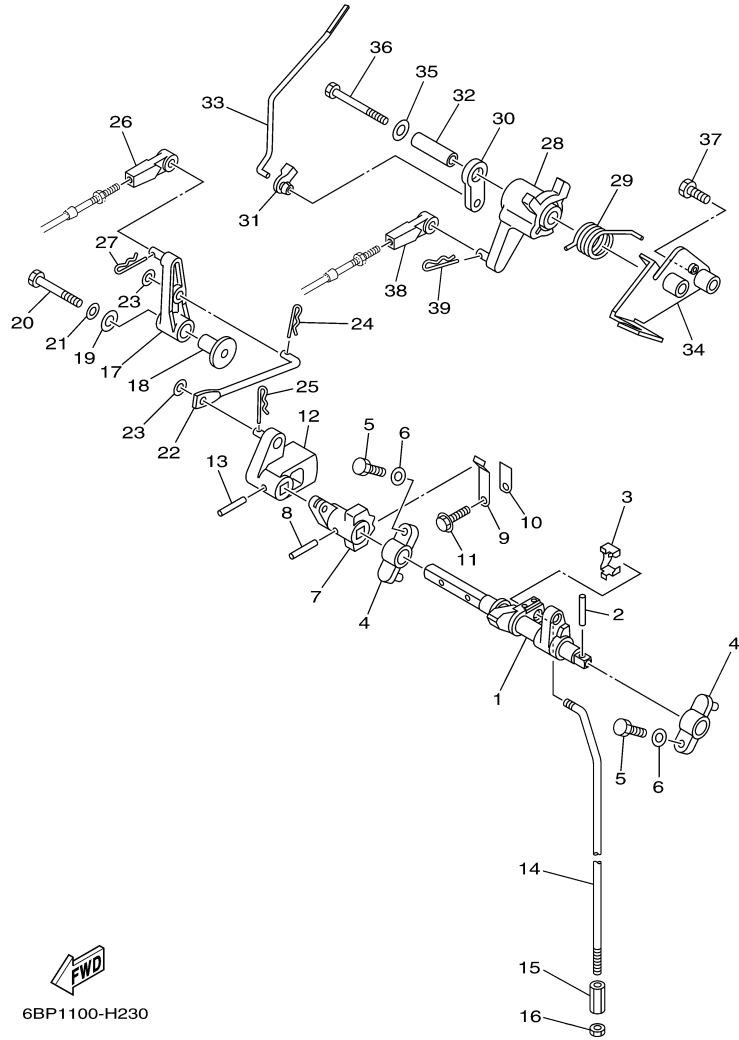
©2014 Yamaha Motor Corporation, U.S.A. All rights reserved.

F25SEA 0410 / STEERING FRICTION



65W1010-2180

F25SEA 0410 / CONTROL 1



©2014 Yamaha Motor Corporation, U.S.A. All rights reserved.



## Part List

F25SEA 0410 / CONTROL 1

REF - NO	PART NUMBER	PART NAME	QUANTITY	REMARKS
1	6BL-44121-00-00	LEVER, SHIFT ROD	1	
2	90254-03M05-00	PIN, SPRING	1	
3	6AH-26364-00-00	END, CABLE 2	1	
4	6G1-41662-01-94	BRACKET 2	2	
5	97095-06020-00	BOLT	2	
6	92995-06600-00	WASHER	2	
7	6BL-44173-00-00	LEVER, SHIFT CONTROL	1	
8	90254-03M05-00	PIN, SPRING	1	
9	65W-44116-00-00	SPRING	1	
10	66R-44114-00-00	STOPPER	1	
11	95895-06014-00	BOLT, FLANGE	1	
12	6BL-44142-00-00	JOINT	1	
13	90254-03M05-00	PIN, SPRING	1	
14	6BP-44143-00-00	ROD, SHIFT	1	S(16.6")
15	90170-06015-00	NUT	1	
16	95380-06700-00	NUT	1	
17	6BL-44125-00-00	.LEVER, SHIFT ROD	1	
18	90387-06M86-00	.COLLAR	1	
19	90201-06M31-00	.WASHER, PLATE	1	
20	97095-06035-00	BOLT	1	
21	92995-06600-00	WASHER	1	
22	6BL-44192-00-00	.LINK, SHIFT ROD	1	
23	90201-05M06-00	.WASHER, PLATE	2	
24	90468-10005-00	CLIP	1	
25	90468-18001-00	CLIP	1	
26	663-48344-00-00	.CABLE END, REMOTE CONTROL	1	
27	90468-18008-00	CLIP	1	
28	6BL-41638-00-00	.PULLEY	1	
29	90508-20040-00	.SPRING, TORSION	1	
30	65W-41283-00-00	.LEVER, FREE ACCEL.	1	
31	6J8-41262-00-00	JOINT, CHOKE LEVER	1	
32	90387-06139-00	.COLLAR	1	
33	6BL-41211-00-00	.LINK, ACCEL.	1	
34	6BL-14571-10-00	.BRACKET, THROTTLE	1	
35	90201-06M31-00	.WASHER, PLATE	1	
36	97095-06065-00	.BOLT	1	
37	97095-06025-00	BOLT	1	
38	663-48344-00-00	.CABLE END, REMOTE CONTROL	1	
39	90468-18008-00	CLIP	1	

## Part Notes

F25SEA 0410 / CONTROL 1

PART NUMBER		NOTE TEXT
90468-18008-00		OEM: This part number is among the Top 100 Most Popular Marine Maintenance Parts as of March 2014.
90468-18008-00		OEM: This part number is among the Top 100 Most Popular Marine Maintenance Parts as of March 2014.

©2014 Yamaha Motor Corporation, U.S.A. All rights reserved.

F25SEA 0410 / CONTROL 2



  
6BP1100-H240

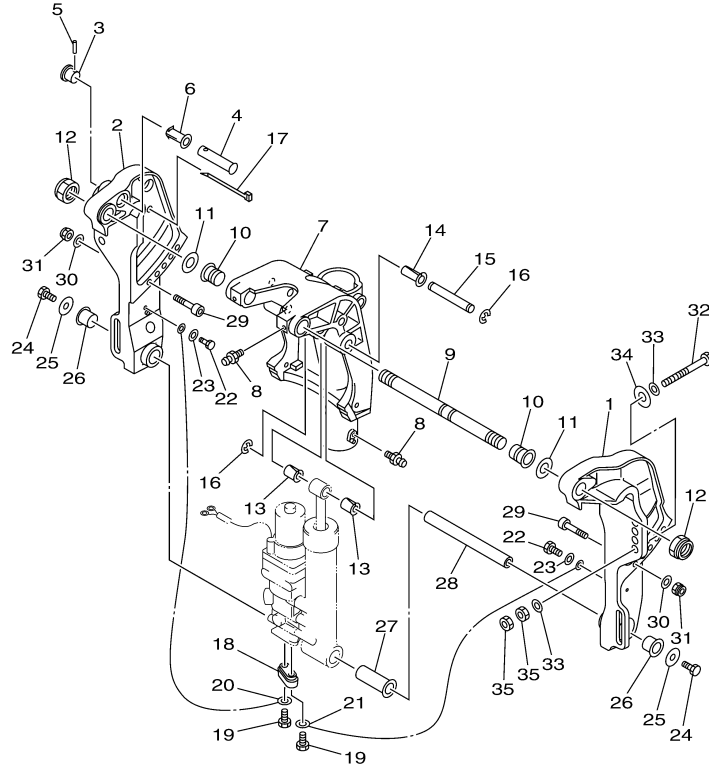
©2014 Yamaha Motor Corporation, U.S.A. All rights reserved.

F25SEA 0410 / REMO CON ATTACHMENT



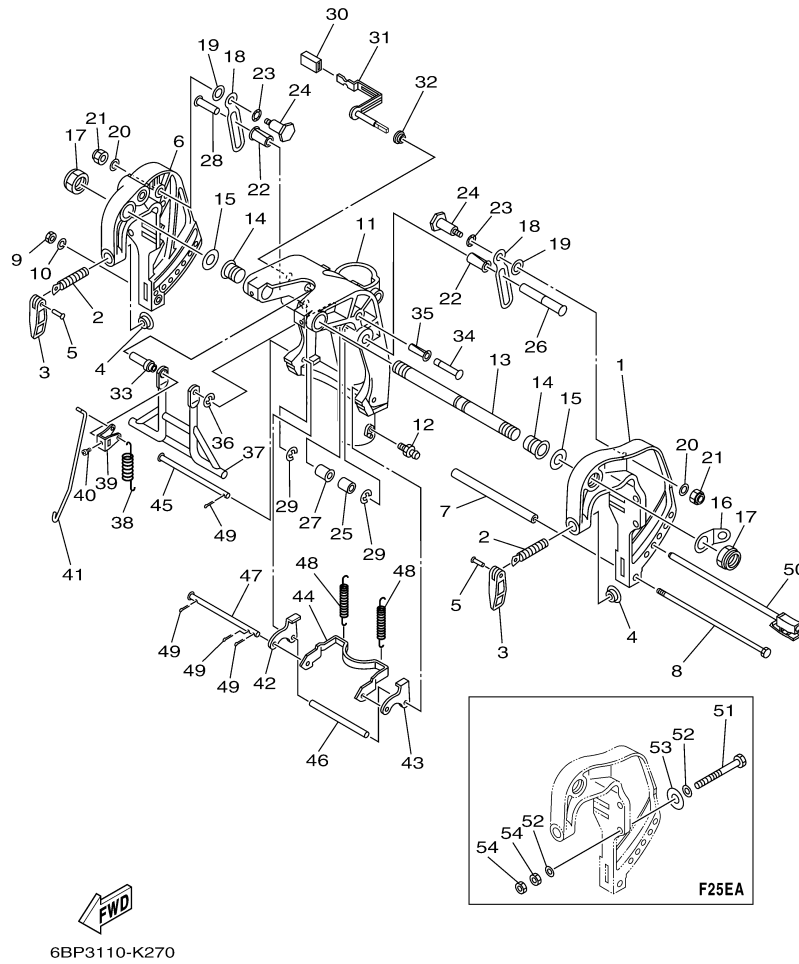
©2014 Yamaha Motor Corporation, U.S.A. All rights reserved.

F25SEA 0410 / BRACKET 1



6BP3110-K260

F25SEA 0410 / BRACKET 2



©2014 Yamaha Motor Corporation, U.S.A. All rights reserved.



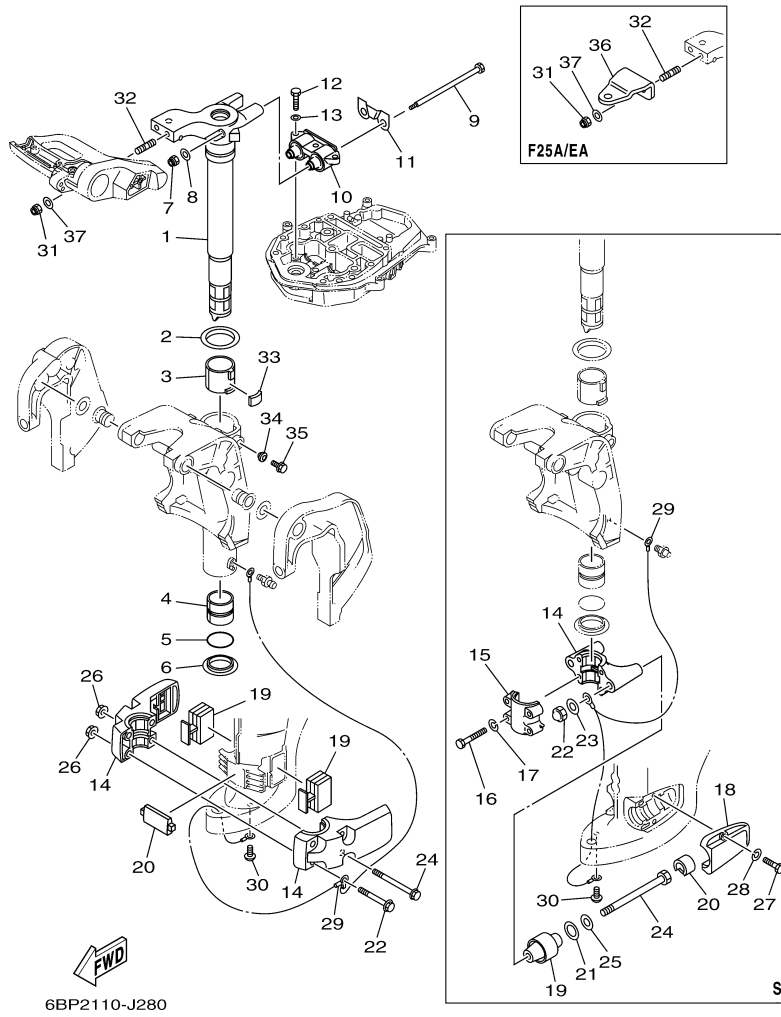
## Part List

F25SEA 0410 / BRACKET 2

REF - NO	PART NUMBER	PART NAME	QUANTITY	REMARKS
1	66T-43111-01-4D	BRACKET, CLAMP 1	1	
2	90149-14M12-00	SCREW	2	
3	663-43118-01-4D	HANDLE, TRANSOM CLAMP	2	
4	648-43114-01-00	PAD, TRANSOM CLAMP	2	
5	90243-04007-00	PIN	2	
6	66T-43112-01-4D	BRACKET, CLAMP 2	1	
7	90387-08M29-00	COLLAR	1	
8	90101-08M76-00	BOLT	1	
9	95380-08600-00	NUT	1	
10	92990-08100-00	WASHER, SPRING	1	
11	65W-43311-00-4D	BRACKET, SWIVEL 1	1	S(16.6")
12	93700-06M03-00	NIPPLE, GREASE	3	
13	63D-43131-01-00	BOLT, CLAMP BRACKET	1	
14	90386-22M15-00	BUSH	2	
15	90201-22M03-00	WASHER, PLATE	2	
16	6J8-43113-01-00	PLATE, CLAMP BRACKET	1	
17	90185-22043-00	NUT, SELF-LOCKING	2	
18	66T-43627-00-00	STOPPER	2	
19	90202-12031-00	WASHER, PLATE	2	
20	90201-08M07-00	WASHER, PLATE	2	
21	90185-08057-00	NUT, SELF-LOCKING	2	
22	90386-12M98-00	BUSH	2	
23	90206-12M00-00	WASHER, WAVE	2	
24	90109-08M90-00	BOLT	2	
25	90387-12M04-00	COLLAR	1	
26	90249-12M39-00	PIN	1	
27	90386-12MA0-00	BUSH	1	
28	90249-12M34-00	PIN	1	
29	99080-10600-00	CIRCLIP	2	
30	682-43318-01-00	COVER	1	
31	65W-43630-11-00	TILT LEVER ASSY	1	
32	90386-07MA2-00	BUSH	1	
33	90387-07M05-00	COLLAR	1	
34	90249-10M31-00	PIN	1	
35	90386-10M99-00	BUSH	1	
36	99080-08600-00	CIRCLIP	1	
37	66T-43350-02-00	RECEIVER ASSY	1	
38	90506-20M37-00	SPRING, TENSION	1	
39	66T-43631-11-00	LEVER, TILT	1	
40	90157-05014-00	SCREW, PAN HEAD	1	
41	65W-43616-00-00	ROD, TILT LOCK	1	
42	65W-43614-01-00	PLATE, TILT LOCK	1	
43	65W-43615-01-00	PLATE, TILT LOCK	1	
44	65W-43613-00-00	ARM, TILT LOCK	1	
45	90249-07M32-00	PIN	1	
46	90387-07M29-00	COLLAR	1	
47	90249-07M33-00	PIN	1	
48	90506-30M00-00	SPRING, TENSION	2	
49	91490-20012-00	PIN. COTTER	4	
50	65W-43160-00-00	TILT ROD ASSY	1	
51	90101-10M58-00	BOLT	4	
52	92995-10600-00	WASHER	8	
53	90201-12426-00	WASHER, PLATE	4	
54	95380-10600-00	NUT	8	



F25SEA 0410 / BRACKET 3



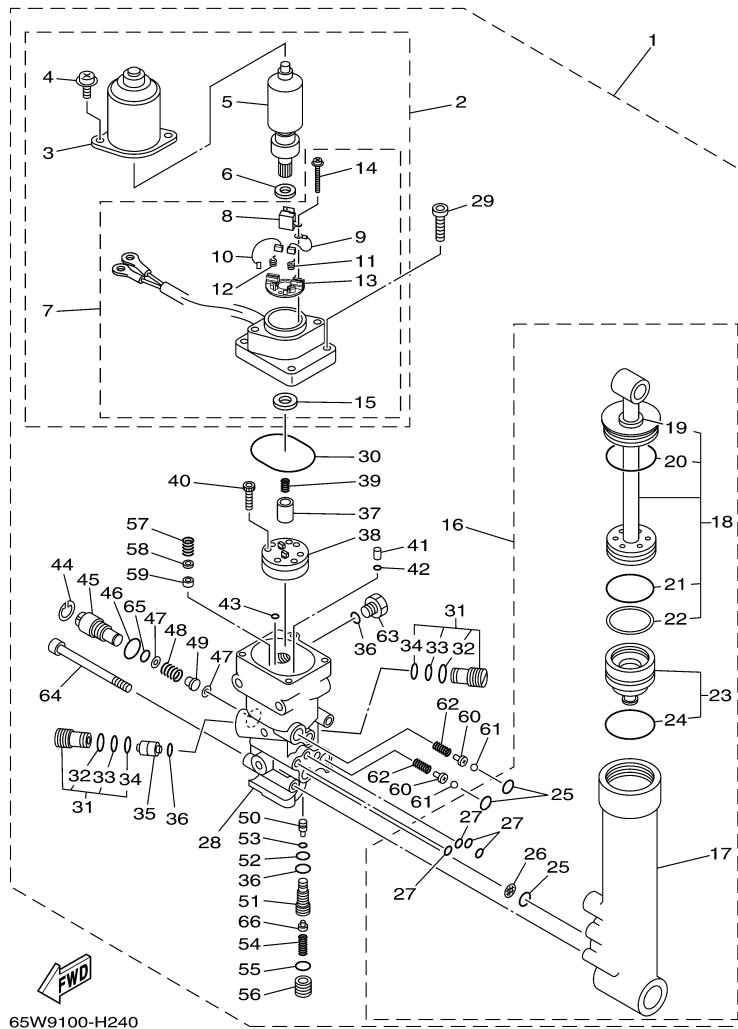
©2014 Yamaha Motor Corporation, U.S.A. All rights reserved.

## Part List

F25SEA 0410 / BRACKET 3

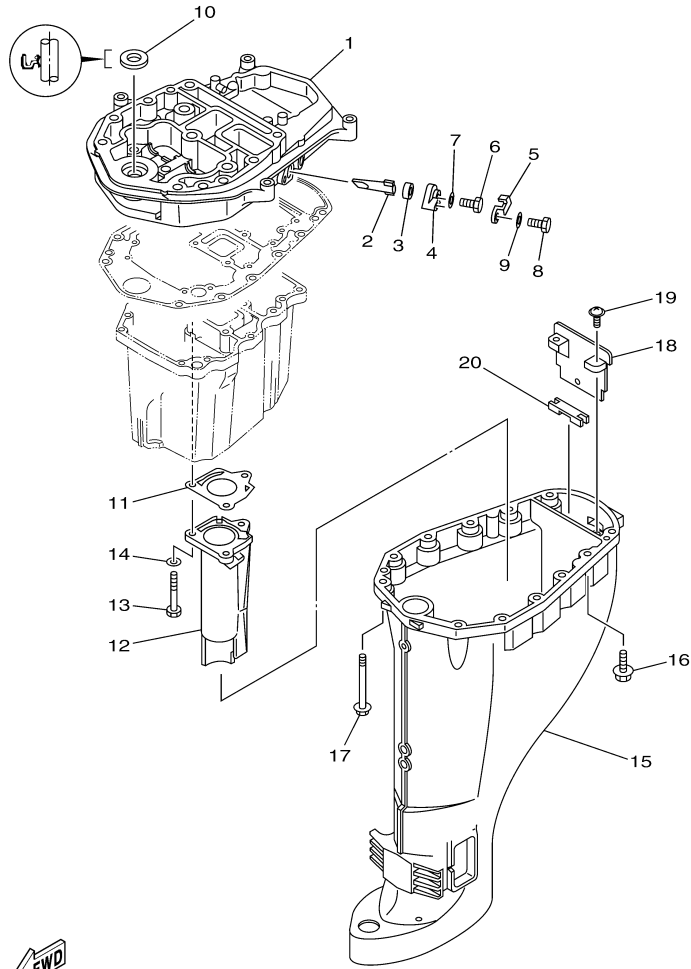
REF - NO	PART NUMBER	PART NAME	QUANTITY	REMARKS
1	65W-42511-01-4D	BRACKET, STEERING	1	S(16.6")
2	90209-52M00-00	WASHER	1	
3	90386-52M02-00	BUSH	1	
4	90386-44M03-00	BUSH	1	
5	93210-43MJ0-00	O-RING	1	
6	90386-44M99-00	BUSH	1	
7	90185-08045-00	NUT, SELF-LOCKING	2	
8	92995-08200-00	WASHER	2	
9	90101-08M86-00	BOLT	2	
10	67C-44514-20-94	MOUNT DAMPER, UPPER SIDE	1	
11	66T-44526-30-00	PLATE	1	
12	97075-08030-00	BOLT	3	
13	92995-08600-00	WASHER	3	
14	6BP-44551-00-4D	HOUSING, LOWER MOUNT RUBBER 1	1	S(16.6")
15	6BP-44552-00-4D	HOUSING, LOWER MOUNT RUBBER 2	1	S(16.6")
16	97095-08045-00	.BOLT	4	S(16.6")
17	92995-08100-00	WASHER	4	S(16.6")
18	63D-44552-01-4D	HOUSING, LOWER MOUNT RUBBER 2	2	S(16.6")
19	6BP-44555-00-00	MOUNT DAMPER, LOWER SIDE	2	S(16.6")
20	64J-44575-00-00	DAMPER, LOWER MOUNT RUBBER	2	S(16.6")
21	90202-25M04-00	WASHER, PLATE	2	S(16.6")
22	95380-12800-00	NUT, CROWN	2	S(16.6")
23	90201-12M16-00	WASHER, PLATE	2	S(16.6")
24	90109-12MA3-00	BOLT	2	S(16.6")
25	90201-13M19-00	WASHER, PLATE	2	S(16.6")
27	97075-08030-00	BOLT	4	S(16.6")
28	92995-08100-00	WASHER	4	S(16.6")
29	63D-82127-00-00	WIRE, LEAD 2	1	S(16.6")
30	97885-06008-00	SCREW, PAN HEAD	1	
31	90185-10051-00	NUT, SELF-LOCKING	2	
32	90116-10M70-00	BOLT, STUD	2	
33	648-42528-00-00	PLATE, FRICTION	1	
34	65W-43373-00-00	SEAL, DAMPER	1	
35	90105-08M76-00	BOLT, FLANGE	1	
36	65W-48511-00-00	HOOK, STEERING	1	
37	90201-10120-00	.WASHER, PLATE	2	

F25SEA 0410 / POWER TRIM TILT ASSY



©2014 Yamaha Motor Corporation, U.S.A. All rights reserved.

F25SEA 0410 / UPPER CASING



6BP3110-K300

## Part List

F25SEA 0410 / UPPER CASING

REF - NO	PART NUMBER	PART NAME	QUANTITY	REMARKS
1	67C-41137-13-CA	GUIDE, EXHAUST	1	
2	62Y-11325-00-00	ANODE	1	
3	66M-11328-00-00	GROMMET, ANODE	1	
4	66M-11327-00-94	COVER, ANODE	1	
5	66M-12535-00-00	PLATE	1	
6	97095-05012-00	BOLT	1	
7	92995-05600-00	WASHER	1	
8	97013-06020-00	BOLT	1	
9	92903-06600-00	WASHER, PLATE	1	
10	93110-16004-00	.OIL SEAL	1	
11	67C-41133-00-00	.GASKET, EXHAUST MANIFOLD 1	1	
12	68U-41131-00-5B	MANIFOLD, EXT. 1	1	
13	97075-06050-00	BOLT	3	
14	92995-06600-00	WASHER	3	
15	6BP-45111-00-4D	CASING, UPPER	1	S(16.6")
16	90119-08102-00	BOLT, WITH WASHER	4	
17	90119-08132-00	BOLT, WITH WASHER	8	
18	65W-45151-00-00	COVER, UPPER CASING	1	
19	97980-05216-00	SCREW, WITH WASHER	2	
20	65W-45128-00-00	.SEAL 2	1	

F25SEA 0410 / OIL PAN



©2014 Yamaha Motor Corporation, U.S.A. All rights reserved.




## Part List

F25SEA 0410 / OIL PAN

REF - NO	PART NUMBER	PART NAME	QUANTITY	REMARKS
1	65W-15311-03-5B	OIL PAN	1	
2	69W-15312-00-00	.GASKET, OIL PAN	1	
3	93606-12019-00	.PIN, DOWEL	4	
4	65W-15316-00-00	DAMPER 1	1	
5	90340-14M06-00	PLUG, STRAIGHT SCREW	1	
6	90430-14M09-00	.GASKET	1	
7	97575-06525-00	BOLT, WITH WASHER	10	
8	65W-13411-00-00	STRAINER, OIL	1	
9	97013-06016-00	BOLT	2	
10	92903-06600-00	WASHER, PLATE	2	
11	6BG-11576-00-94	BODY, RELIEF	1	
12	62Y-13475-00-00	.GASKET	1	
13	97013-06025-00	BOLT	3	
14	92903-06600-00	WASHER, PLATE	3	
15	6BL-15362-00-00	PLUG, OIL LEVEL	1	
16	6BL-15377-00-00	GUIDE, INLET	1	
17	93210-19MJ3-00	.O-RING	1	
18	95895-06016-00	BOLT, FLANGE	1	
19	93608-12M05-00	PIN, DOWEL	2	

## Part Notes

F25SEA 0410 / OIL PAN

PART NUMBER	NOTE TEXT
90430-14M09-00 	OEM: This part number is among the Top 100 Most Popular Marine Maintenance Parts as of March 2014.

©2014 Yamaha Motor Corporation, U.S.A. All rights reserved.

F25SEA 0410 / LOWER CASING DRIVE 1



©2014 Yamaha Motor Corporation, U.S.A. All rights reserved.

## Part List




F25SEA 0410 / LOWER CASING DRIVE 1

REF - NO	PART NUMBER	PART NAME	QUANTITY	REMARKS
1	65W-45300-01-4D	LOWER UNIT ASSY	1	S(16.6")
2	61N-45311-02-4D	CASING, LOWER	1	
3	93332-000W5-00	BEARING	1	
4	61N-45587-00-00	SHIM (T:0.7MM)	1	UR
4	61N-45587-10-00	SHIM (T:1.0MM)	1	UR
4	61N-45587-20-00	SHIM (T:1.1MM)	1	UR
4	61N-45587-70-00	SHIM (T:1.6MM)	1	UR
4	61N-45587-40-00	SHIM (T:1.3MM)	1	UR
4	61N-45587-50-00	SHIM (T:1.4MM)	1	UR
4	61N-45587-60-00	SHIM (T:1.5MM)	1	UR
4	61N-45587-30-00	SHIM (T:1.2MM)	1	UR
5	61N-45536-00-00	SLEEVE, DRIVE SHAFT	1	
6	93315-220V7-00	BEARING	1	
7	61N-44362-00-00	TUBE, WATER 2	1	S(16.6")
8	93210-22164-00	.O-RING	1	S(16.6")
9	93210-26130-00	.O-RING	1	S(16.6")
11	61N-44311-01-00	.HOUSING, WATER PUMP	1	
12	6L2-44367-00-00	.DAMPER, WATER SEAL 3	1	
13	61N-44322-01-00	.INSERT, CARTRIDGE	1	
14	6H4-44352-02-00	.IMPELLER	1	
15	93210-45161-00	.O-RING	1	
16	61N-44323-00-00	.OUTER PLATE, CARTRIDGE	1	
17	97095-06040-00	.BOLT	4	
18	92995-06600-00	WASHER	4	
19	65W-44176-00-00	BRACKET	1	
20	93210-06ME6-00	.O-RING	1	
21	97095-06025-00	BOLT	2	
22	92995-06600-00	WASHER	2	
23	65W-45331-00-5B	HOUSING, BEARING	1	
24	93604-10M03-00	PIN, DOWEL	3	
25	61N-45127-00-00	SEAL	1	
26	61N-45315-00-00	.PACKING, LOWER CASING	1	
27	93101-22067-00	.OIL SEAL	2	
28	90340-08002-00	PLUG, STRAIGHT SCREW	1	
29	90430-08020-00	.GASKET	1	
30	61N-45251-01-00	ANODE	1	
31	95895-06035-00	BOLT, FLANGE	1	
32	92990-06300-00	WASHER, INTERNAL TOOTH	1	
33	688-45341-10-00	PLUG, DRAIN	1	
34	90430-08020-00	.GASKET	1	
35	61N-45510-00-00	DRIVE SHAFT ASSY	1	S(16.6")
36	90280-03024-00	.KEY, WOODRUFF	1	
37	61N-45551-00-00	PINION (13T)	1	
38	90179-10M14-00	NUT	1	
39	93332-00005-00	BEARING	1	
40	6L2-45567-00-00	SHIM (T:1.0MM)	1	UR
40	6L2-45567-10-00	SHIM (T:1.1MM)	1	UR
40	6L2-45567-40-00	SHIM (T:1.4MM)	1	UR
40	6L2-45567-30-00	SHIM (T:1.3MM)	1	UR
40	6L2-45567-20-00	SHIM (T:1.2MM)	1	UR
41	61N-45560-10-00	GEAR 1 (27T)	1	
42	65W-45611-00-00	SHAFT, PROPELLER	1	
43	648-45635-00-00	PLUNGER, SHIFT	1	
44	664-45631-02-00	CLUTCH, DOG	1	

45	90250-05010-00	PIN, STRAIGHT	1	
46	648-45633-00-00	RING, CROSS PIN	1	
47	90501-10065-00	SPRING, COMPRESSION	1	
48	90201-20417-00	WASHER, PLATE	1	
49	61N-45571-00-00	GEAR 2 (27T)	1	
50	6L2-45577-00-00	SHIM (T:1.0MM)	1	UR
50	6L2-45577-30-00	SHIM (T:1.3MM)	1	UR
50	6L2-45577-20-00	SHIM (T:1.2MM)	1	UR
50	6L2-45577-10-00	SHIM (T:1.1MM)	1	UR
51	61N-45361-01-4D	CAP, LOWER CASING	1	
52	93306-00612-00	BEARING	1	
53	93210-64ME7-00	.O-RING	1	
54	93315-22004-00	BEARING	1	
55	93101-20M07-00	.OIL SEAL	2	
56	93210-65M50-00	.O-RING	2	
57	97575-06520-00	BOLT, WITH WASHER	2	
58	65W-44150-01-00	SHIFT CAM ASSY	1	S(16.6")

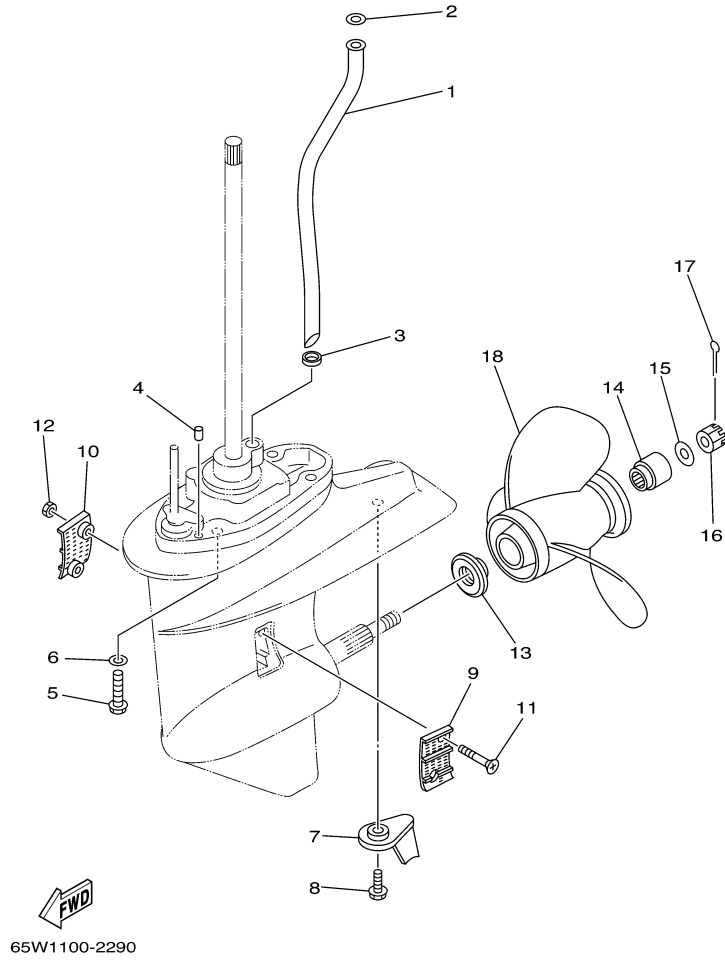
Part Notes

F25SEA 0410 / LOWER CASING DRIVE 1

PART NUMBER		NOTE TEXT
6H4-44352-02-00		OEM: This part number is among the Top 100 Most Popular Marine Maintenance Parts as of March 2014.
90430-08020-00		OEM: This part number is among the Top 100 Most Popular Marine Maintenance Parts as of March 2014.
90430-08020-00		OEM: This part number is among the Top 100 Most Popular Marine Maintenance Parts as of March 2014.

©2014 Yamaha Motor Corporation, U.S.A. All rights reserved.

F25SEA 0410 / LOWER CASING DRIVE 2



©2014 Yamaha Motor Corporation, U.S.A. All rights reserved.

## Part List

F25SEA 0410 / LOWER CASING DRIVE 2

REF - NO	PART NUMBER	PART NAME	QUANTITY	REMARKS
1	65W-44361-02-00	TUBE, WATER 1	1	S(16.6")
2	90202-12060-00	WASHER, PLATE	1	
3	90430-10002-00	.GASKET	1	
4	93606-11M24-00	PIN, DOWEL	2	
5	90105-10M12-00	BOLT, FLANGE	4	
6	92995-10600-00	WASHER	4	
7	61N-45371-00-00	TAB-TRIM	1	
8	90119-06M48-00	BOLT, WITH WASHER	1	
9	6L2-45214-00-00	COVER, WATER INLET 1	1	
10	6L2-45215-00-00	COVER, WATER INLET 2	1	
11	90151-05M05-00	SCREW, COUNTERSUNK	2	
12	90185-05002-00	NUT, NYLON	2	
13	6L2-45987-01-00	SPACER 1	1	
14	689-45997-00-00	SPACER 2	1	
15	92990-14200-00	WASHER, PLAIN	1	
16	90171-14013-00	NUT, CASTLE	1	
17	91490-30022-00	PIN. COTTER	1	
18	664-45941-01-EL	PROPELLER (3X9-7/8"X9"-F)	1	UR
18	664-45943-01-EL	PROPELLER (3X9-7/8"X8"-F)	1	UR
18	664-45945-00-EL	PROPELLER (3X9-7/8"X10-1/2"-F)	1	UR
18	664-45947-01-EL	PROPELLER (3X9-7/8"X11-1/4"-F)	1	UR
18	664-45954-01-EL	PROPELLER (3X9-7/8"X12"-F)	1	UR
18	664-45952-00-EL	PROPELLER (3X9-7/8"X14"-F)	1	UR
18	664-45970-00-98	PROPELLER (3X9-1/8"X13"-F)	1	UR
18	664-45972-00-98	PROPELLER (3X9-1/8"X12"-F)	1	UR
18	664-45949-02-EL	PROPELLER (3X9-7/8"X13"-F)	1	UR

F25SEA 0410 / STEERING GUIDE



6BG1100-H340

## Part List

F25SEA 0410 / STEERING GUIDE

REF - NO	PART NUMBER	PART NAME	QUANTITY	REMARKS
1	6BG-61350-00-00	STEERING GUIDE ATTACHMENT KIT	1	AP
2	90201-10M20-00	.WASHER, PLATE	2	
3	90185-09M01-00	.NUT, SELF-LOCKING	2	
4	90170-09M03-00	.NUT	1	
5	90387-10M42-00	.COLLAR	1	
6	90101-09M01-00	.BOLT	1	
7	90201-10M63-00	.WASHER, PLATE	1	
8	6E5-43145-01-00	.CAP, CLAMP BRACKET	1	
9	93210-16275-00	.O-RING	1	



F25SEA 0410 / REPAIR KIT 1



©2014 Yamaha Motor Corporation, U.S.A. All rights reserved.

## Part List

F25SEA 0410 / REPAIR KIT 1

REF - NO	PART NUMBER	PART NAME	QUANTITY	REMARKS
1	6BL-W0001-00-00	POWER HEAD GASKET KIT	1	
2	90430-06014-00	.GASKET	1	
3	6BL-11181-00-00	.GASKET, CYLINDER HEAD 1	1	
4	6BL-11356-00-00	.SEAL, CYLINDER 2	1	
5	93102-43M42-00	.OIL SEAL	1	
6	93101-35002-00	.OIL SEAL	1	
7	6BG-11351-00-00	.GASKET, CYLINDER	1	
8	6BL-15663-00-00	.SEAL	1	
9	62Y-12414-00-00	.GASKET, COVER	1	
10	6BL-41114-00-00	.GASKET, EXHAUST OUTER COVER	1	
11	93210-13M63-00	.O-RING	3	
12	90430-18130-00	.GASKET	1	
13	90430-14115-00	.GASKET	2	
14	90280-03M01-00	.KEY, WOODRUFF	1	
15	6BL-13645-00-00	.GASKET, MANIFOLD 1	1	
16	6BL-13646-00-00	.GASKET, MANIFOLD 2	2	
17	93210-39ME4-00	.O-RING	1	
18	6C5-13329-00-00	.GASKET, PUMP COVER	1	
19	93210-19MJ3-00	.O-RING	1	
20	93210-24M79-00	.O-RING	1	
21	93210-24M79-00	.O-RING	1	
22	93102-37M40-00	.OIL SEAL	1	

## Part Notes

F25SEA 0410 / REPAIR KIT 1

PART NUMBER	NOTE TEXT
62Y-12414-00-00 	OEM: This part number is among the Top 100 Most Popular Marine Maintenance Parts as of March 2014.

©2014 Yamaha Motor Corporation, U.S.A. All rights reserved.

F25SEA 0410 / REPAIR KIT 2



6BP1100-H390

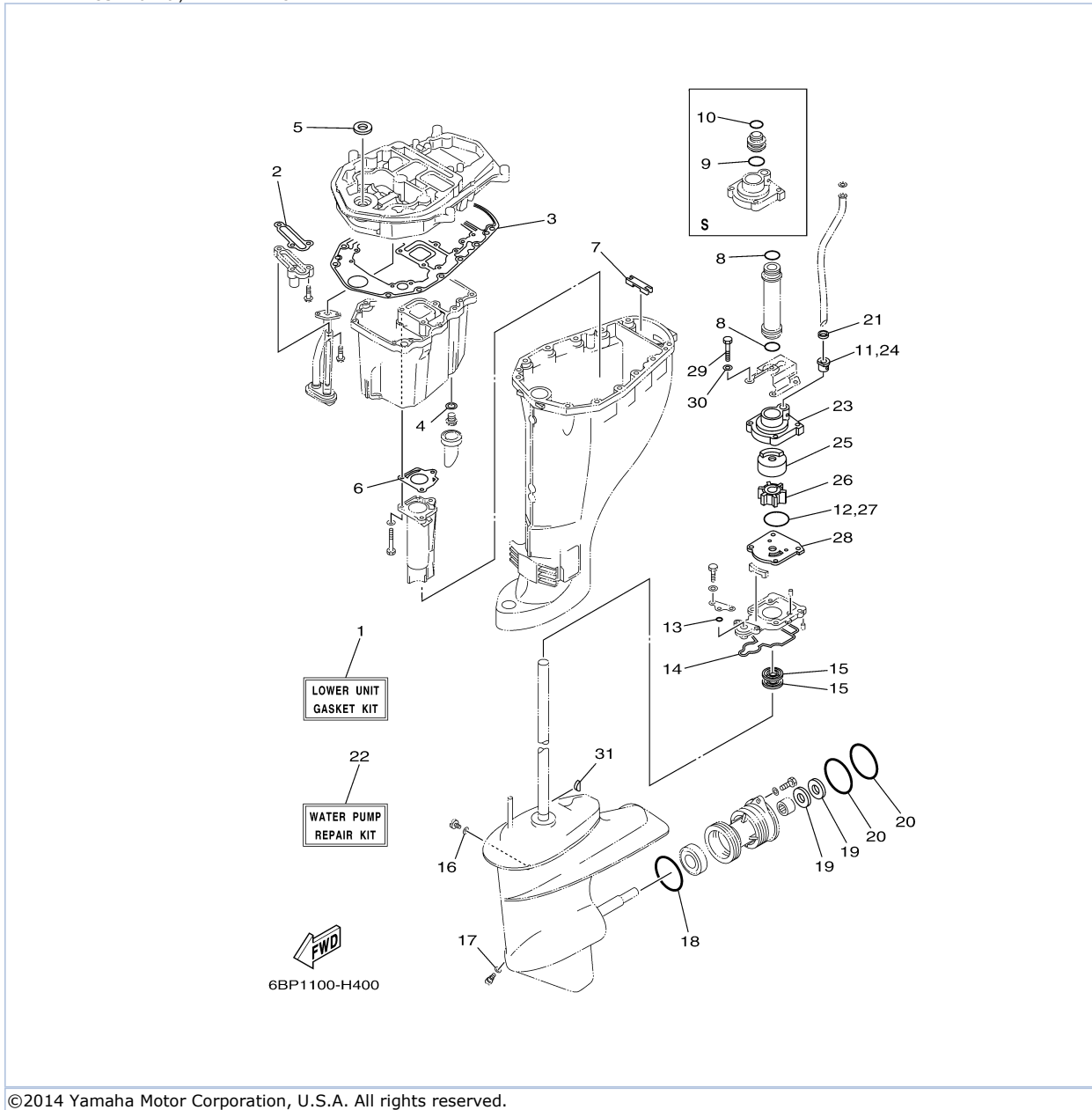
©2014 Yamaha Motor Corporation, U.S.A. All rights reserved.

## Part List

F25SEA 0410 / REPAIR KIT 2

REF - NO	PART NUMBER	PART NAME	QUANTITY	REMARKS
1	6BL-W0093-00-00	CARBURETOR REPAIR KIT	1	
2	65W-14126-10-00	.GASKET	1	
3	6AH-14546-00-00	.VALVE, NEEDLE	1	
4	6H4-14548-00-00	.PIN, FLOAT ARM	1	
5	65W-14373-02-00	.COVER, PLUNGER CAP	1	
6	67C-14397-00-00	.O-RING	1	
7	65W-14335-00-00	.SPRING, PLUNGER	1	
8	65W-14384-00-00	.GASKET, FLOAT CHAMBER	1	
9	65W-14398-00-00	.GASKET	1	
10	97980-04114-00	.SCREW, WITH WASHER	4	
11	63V-14985-00-00	.FLOAT	1	
12	663-14159-00-00	.CLIP	1	

F25SEA 0410 / REPAIR KIT 3



©2014 Yamaha Motor Corporation, U.S.A. All rights reserved.

## Part List

F25SEA 0410 / REPAIR KIT 3

REF - NO	PART NUMBER	PART NAME	QUANTITY	REMARKS
1	65W-W0001-23-00	LOWER UNIT GASKET KIT	1	
2	62Y-13475-00-00	.GASKET	1	
3	69W-15312-00-00	.GASKET, OIL PAN	1	
4	90430-14M09-00	.GASKET	1	
5	93110-16004-00	.OIL SEAL	1	
6	67C-41133-00-00	.GASKET, EXHAUST MANIFOLD 1	1	
7	65W-45128-00-00	.SEAL 2	1	
8	93210-26130-00	.O-RING	2	L(21.6")
9	93210-26130-00	.O-RING	1	S(16.6")
10	93210-22164-00	.O-RING	1	S(16.6")
11	6L2-44367-00-00	.DAMPER, WATER SEAL 3	1	
12	93210-45161-00	.O-RING	1	
13	93210-06ME6-00	.O-RING	1	
14	61N-45315-00-00	.PACKING, LOWER CASING	1	
15	93101-22067-00	.OIL SEAL	2	
16	90430-08020-00	.GASKET	1	
17	90430-08020-00	.GASKET	1	
18	93210-64ME7-00	.O-RING	1	
19	93101-20M07-00	.OIL SEAL	2	
20	93210-65M50-00	.O-RING	2	
21	90430-10002-00	.GASKET	1	
22	61N-W0078-11-00	WATER PUMP REPAIR KIT	1	
23	61N-44311-01-00	.HOUSING, WATER PUMP	1	
24	6L2-44367-00-00	.DAMPER, WATER SEAL 3	1	
25	61N-44322-01-00	.INSERT, CARTRIDGE	1	
26	6H4-44352-02-00	.IMPELLER	1	
27	93210-45161-00	.O-RING	1	
28	61N-44323-00-00	.OUTER PLATE, CARTRIDGE	1	
29	97095-06040-00	.BOLT	4	
30	92995-06600-00	.WASHER	4	
31	90280-03024-00	.KEY, WOODRUFF	1	

## Part Notes

F25SEA 0410 / REPAIR KIT 3

PART NUMBER		NOTE TEXT
90430-14M09-00		OEM: This part number is among the Top 100 Most Popular Marine Maintenance Parts as of March 2014.
90430-08020-00		OEM: This part number is among the Top 100 Most Popular Marine Maintenance Parts as of March 2014.
90430-08020-00		OEM: This part number is among the Top 100 Most Popular Marine Maintenance Parts as of March 2014.
6H4-44352-02-00		OEM: This part number is among the Top 100 Most Popular Marine Maintenance Parts as of March 2014.

©2014 Yamaha Motor Corporation, U.S.A. All rights reserved.

©2014 Yamaha Motor Corporation, U.S.A. All rights reserved.