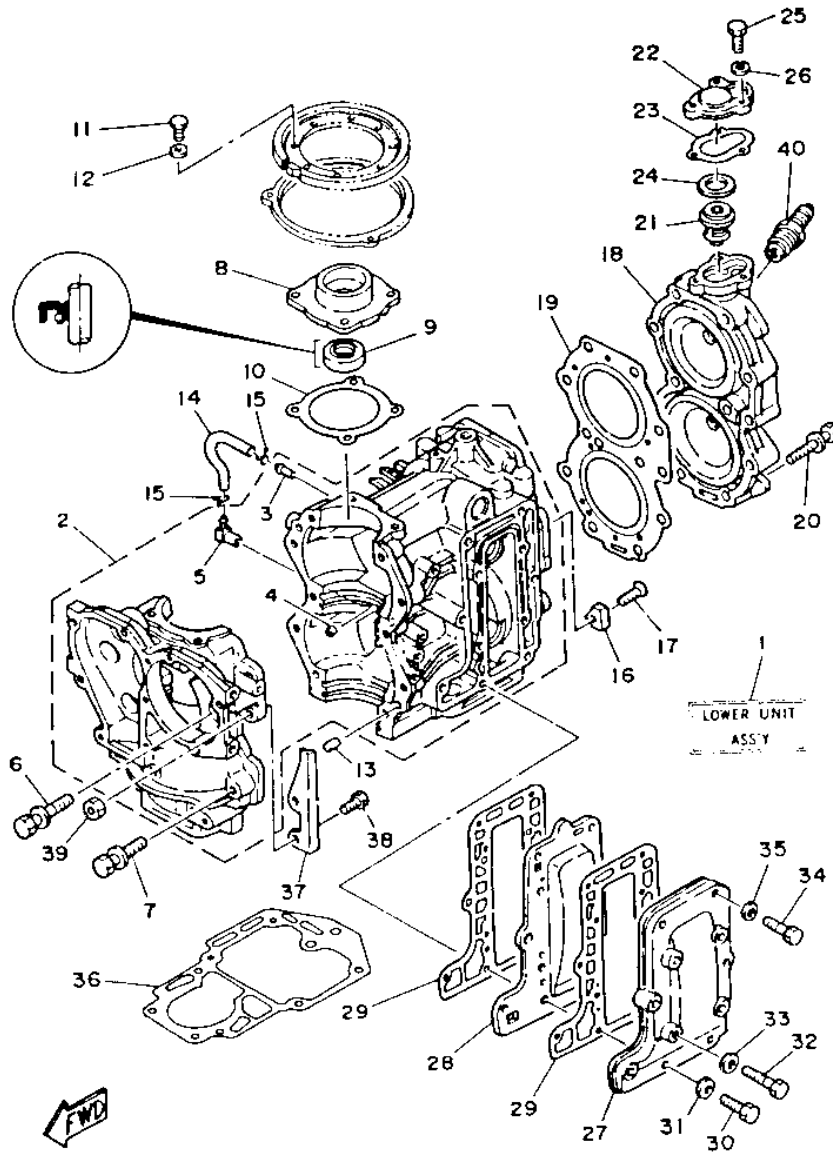


CV25ELD 1990 / CYLINDER CRANKCASE



©2014 Yamaha Motor Corporation, U.S.A. All rights reserved.





Part List

CV25ELD 1990 / CYLINDER CRANKCASE

| REF - NO | PART NUMBER | PART NAME | QUANTITY | REMARKS |
|----------|-----------------|--|----------|---------|
| 1 | 695-W0090-83-EJ | CRANK-CYLINDER.ASSEMBLY. (REF.#2~39 & GRIDS A-7, 8 REF#1~27) | 1 | |
| 2 | 695-15100-02-94 | CRANKCASE ASSEMBLY | 1 | |
| 3 | 624-14485-00-00 | .PIPE, JOINT | 1 | |
| 4 | 624-11379-00-00 | .VALVE, CHECK | 1 | |
| 5 | 650-11370-00-00 | .CHECK VALVE ASSY | 1 | |
| 6 | 90119-08M18-00 | BOLT, WITH WASHER | 2 | |
| 7 | 90119-08M20-00 | BOLT, WITH WASHER | 8 | |
| 8 | 664-15359-01-94 | HOUSING, OIL SEAL | 1 | |
| 9 | 93102-23096-00 | OIL SEAL | 1 | |
| 10 | 664-15369-00-00 | GASKET, O/SL HSNG | 1 | |
| 11 | 97313-06020-00 | BOLT, HEXAGON | 4 | |
| 12 | 92990-06600-00 | WASHER, PLATE | 4 | |
| 13 | 93606-12019-00 | .PIN, DOWEL | 2 | |
| 14 | 90445-07260-00 | HOSE (L276) | 1 | |
| 15 | 90467-06016-00 | CLIP | 2 | |
| 16 | 689-11325-00-00 | ANODE | 1 | |
| 17 | 98702-06020-00 | SCREW, FLAT HEAD | 1 | |
| 18 | 695-11111-01-94 | HEAD, CYLINDER 1 | 1 | |
| 19 | 695-11181-A0-00 | GASKET, CYLINDER HEAD 1 | 1 | |
| 20 | 90119-08M18-00 | BOLT, WITH WASHER | 11 | |
| 21 | 6F5-12411-02-00 | THERMOSTAT | 1 | |
| 22 | 655-12413-01-9M | COVER, THERMOSTAT | 1 | |
| 23 | 655-12414-00-00 | GASKET, COVER | 1 | |
| 24 | 90201-21567-00 | WASHER, PLATE | 1 | |
| 25 | 97313-06020-00 | BOLT, HEXAGON | 3 | |
| 26 | 92995-06100-00 | WASHER, SPRING | 3 | |
| 27 | 664-41113-00-94 | OUTER COVER, EXHAUST | 1 | |
| 28 | 664-41111-00-00 | INNER COVER, EXHAUST | 1 | |
| 29 | 664-41114-A0-00 | GASKET, EXHAUST OUTER COVER | 2 | |
| 30 | 97395-06025-00 | BOLT | 1 | |
| 31 | 92990-06600-00 | WASHER, PLATE | 1 | |
| 32 | 97395-06030-00 | BOLT | 6 | |
| 33 | 92990-06600-00 | WASHER, PLATE | 6 | |
| 34 | 97395-06035-00 | BOLT, HEXAGON | 4 | |
| 35 | 92990-06600-00 | WASHER, PLATE | 4 | |
| 36 | 6K8-45113-A0-00 | GASKET, UPPER CASIN | 1 | |
| 37 | 695-41616-00-00 | STOPPER, MAGNETO BASE | 1 | |
| 38 | 97313-06020-00 | BOLT, HEXAGON | 2 | |
| 39 | 95380-06600-00 | NUT, HEXAGON | 2 | |
| 40 | NGK-B7HS0-00-00 | NGK SPARK PLUG B7HS | 2 | |

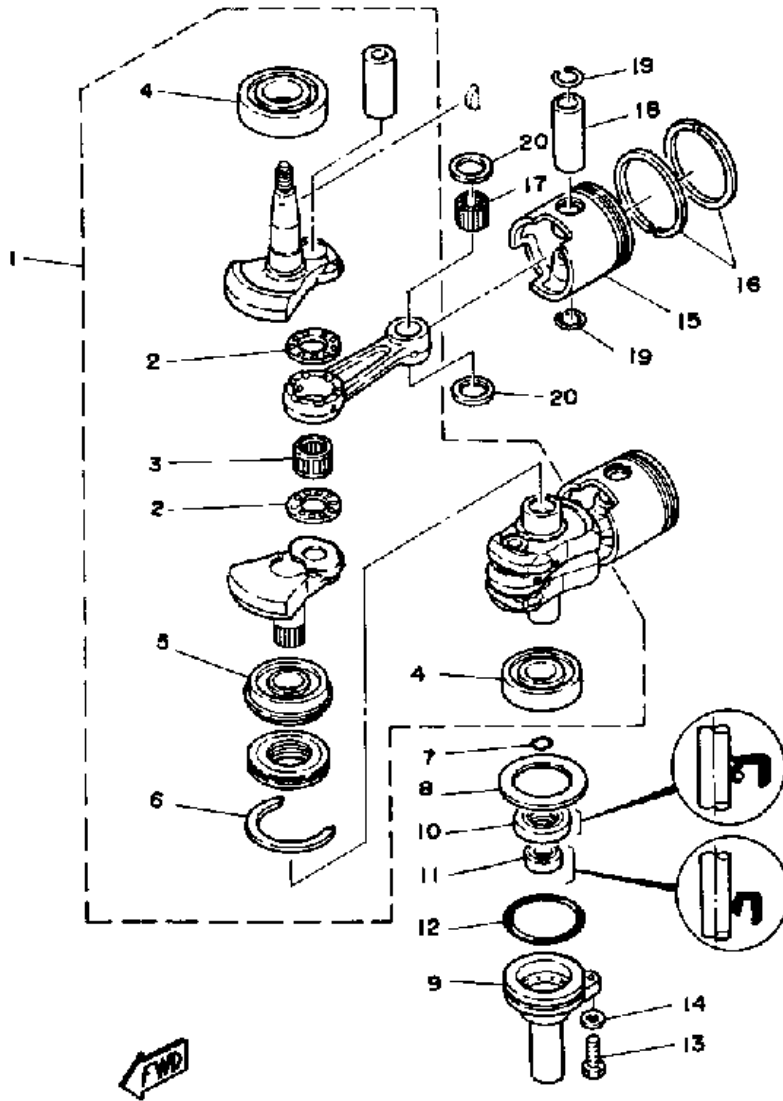
Part Notes

CV25ELD 1990 / CYLINDER CRANKCASE

| PART NUMBER | | NOTE TEXT |
|----------------|---|--|
| 92990-06600-00 |  | OEM: This part number is among the Top 100 Most Popular Marine Maintenance Parts as of March 2014. |
| 92990-06600-00 |  | OEM: This part number is among the Top 100 Most Popular Marine Maintenance Parts as of March 2014. |
| 92990-06600-00 |  | OEM: This part number is among the Top 100 Most Popular Marine Maintenance Parts as of March 2014. |
| 92990-06600-00 |  | OEM: This part number is among the Top 100 Most Popular Marine Maintenance Parts as of March 2014. |

©2014 Yamaha Motor Corporation, U.S.A. All rights reserved.

CV25ELD 1990 / CRANKSHAFT PISTON



©2014 Yamaha Motor Corporation, U.S.A. All rights reserved.



Part List

CV25ELD 1990 / CRANKSHAFT PISTON

| REF - NO | PART NUMBER | PART NAME | QUANTITY | REMARKS |
|----------|-----------------|------------------------------|----------|---------|
| 1 | 695-11400-00-00 | CRANKSHAFT ASSEMBLY | 1 | |
| 2 | 90209-22248-00 | .WASHER, SPECIAL SHAPE | 4 | |
| 3 | 93310-522W0-00 | .BEARING, CYLINDRICAL | 2 | |
| 4 | 93306-305U3-00 | .BEARING | 2 | |
| 5 | 93390-00009-00 | .BEARING | 1 | |
| 6 | 93440-62057-00 | .CIRCLIP, OUTER | 1 | |
| 7 | 93210-16275-00 | .O-RING | 1 | |
| 8 | 90201-50306-00 | WASHER, PLATE | 1 | |
| 9 | 689-15396-01-5B | HOUSING, OIL SEAL | 1 | |
| 10 | 93101-25M35-00 | OIL SEAL | 1 | |
| 11 | 93101-16M36-00 | OIL SEAL | 1 | |
| 12 | 93210-57M09-00 | .O-RING | 1 | |
| 13 | 97395-06022-00 | BOLT | 1 | |
| 14 | 92990-06600-00 | WASHER, PLATE | 1 | |
| 15 | 664-11636-80-00 | PISTON (0.50MM O/S) | 2 | AP |
| 15 | 664-11631-80-97 | PISTON (STD) | 2 | |
| 16 | 664-11610-80-00 | PISTON RING SET (STD) | 2 | |
| 16 | 664-11610-50-00 | PISTON RING SET (0.50MM O/S) | 2 | AP |
| 17 | 93602-20M02-00 | PIN, DOWEL | 62 | |
| 18 | 648-11633-00-00 | PIN, PISTON | 2 | |
| 19 | 93450-20026-00 | CIRCLIP | 4 | |
| 20 | 90201-18522-00 | WASHER, PLATE | 4 | |

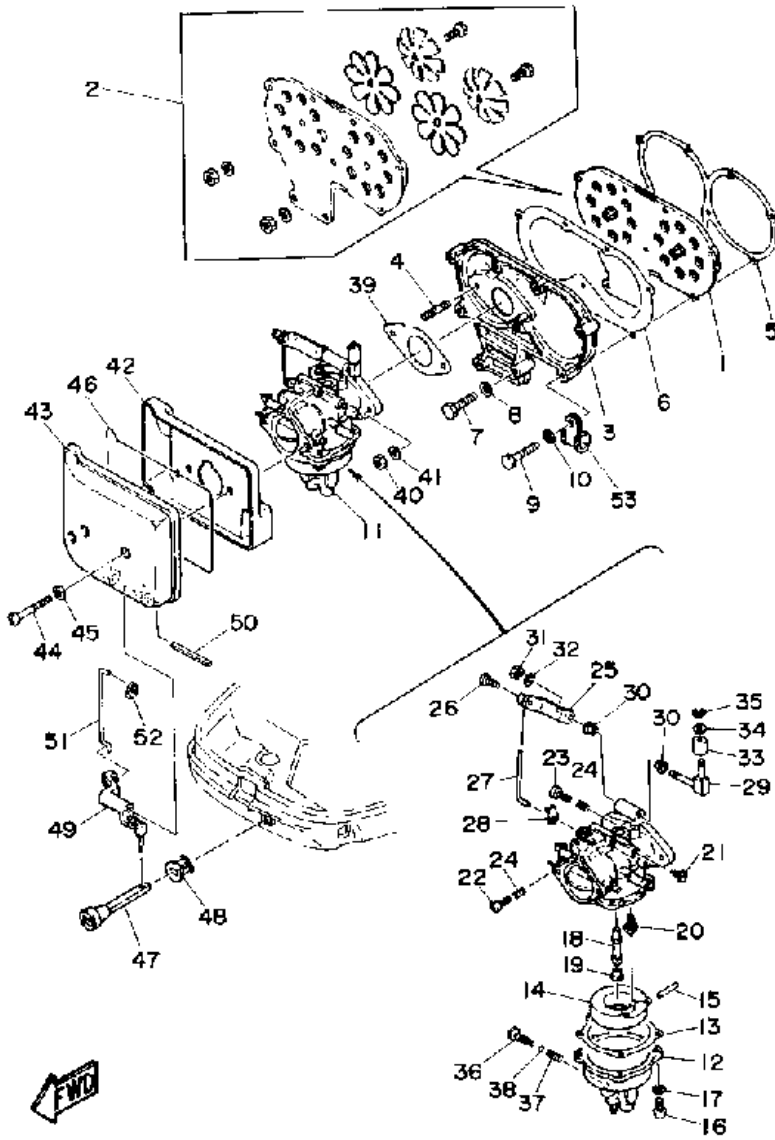
Part Notes

CV25ELD 1990 / CRANKSHAFT PISTON

| PART NUMBER | NOTE TEXT |
|--|--|
| 92990-06600-00  | OEM: This part number is among the Top 100 Most Popular Marine Maintenance Parts as of March 2014. |
| 93602-20M02-00  | OEM: This part number is among the Top 100 Most Popular Marine Maintenance Parts as of March 2014. |

©2014 Yamaha Motor Corporation, U.S.A. All rights reserved.

CV25ELD 1990 / INTAKE CARBURETOR



©2014 Yamaha Motor Corporation, U.S.A. All rights reserved.


Part List



CV25ELD 1990 / INTAKE CARBURETOR

| REF - NO | PART NUMBER | PART NAME | QUANTITY | REMARKS |
|----------|-----------------|--------------------------------|----------|---------|
| 1 | 689-13610-01-00 | REED VALVE ASSEMBLY | 1 | |
| 2 | 689-W0004-00-00 | .REED SET | 1 | |
| 3 | 648-13641-01-94 | MANIFOLD 1 | 1 | |
| 4 | 90116-06M30-00 | BOLT, STUD | 2 | |
| 5 | 648-13621-00-00 | GASKET, VALVE SEAT | 1 | |
| 6 | 648-13645-00-00 | GASKET, MANIFOLD 1 | 1 | |
| 7 | 97313-06025-00 | BOLT | 2 | |
| 8 | 92990-06600-00 | WASHER, PLATE | 2 | |
| 9 | 97013-06035-00 | BOLT | 7 | |
| 10 | 92990-06600-00 | WASHER, PLATE | 7 | |
| 11 | 695-14301-01-00 | CARBURETOR ASSEMBLY 1 | 1 | |
| 12 | 664-14381-01-00 | .BODY, FLOAT CHAMBER | 1 | |
| 13 | 648-14384-01-00 | .GASKET, FLOAT CHAMBER | 1 | |
| 14 | 648-14385-00-00 | .FLOAT | 1 | |
| 15 | 648-14386-00-00 | .PIN, FLOAT | 1 | |
| 16 | 6K8-14125-00-00 | .SCREW, PAN HEAD (98580-04012) | 4 | |
| 17 | 92901-04100-00 | .WASHER, SPRING | 4 | |
| 18 | 648-14341-00-00 | .NOZZLE, MAIN | 1 | |
| 19 | 648-14343-73-00 | .JET, MAIN (#145) | 1 | |
| 20 | 61K-14390-00-00 | .NEEDLE VALVE ASSEMBLY | 1 | |
| 21 | 648-14342-30-00 | .JET, PILOT (# 60) | 1 | |
| 22 | 98503-04014-00 | .SCREW, PAN HEAD | 1 | |
| 23 | 647-14323-00-00 | .SCREW, AIR ADJUSTING | 1 | |
| 24 | 648-14334-00-00 | .SPRING, AIR ADJUSTING | 2 | |
| 25 | 648-41210-01-00 | .ACCEL ARM ASSEMBLY | 1 | |
| 26 | 650-14327-00-00 | .SCREW | 1 | |
| 27 | 656-41241-00-00 | .ROD, LINK | 1 | |
| 28 | 661-41262-02-00 | .JOINT, CHOKE LEVER | 1 | |
| 29 | 648-W4121-00-00 | .SHEAVE SHAFT, ACCEL LINK | 1 | |
| 30 | 90386-05002-00 | .BUSH | 2 | |
| 31 | 95303-05700-00 | .NUT | 1 | |
| 32 | 92990-05100-00 | .WASHER, SPRING | 1 | |
| 33 | 664-41231-00-00 | .COLLAR, GUIDE PIN | 1 | |
| 34 | 92990-05200-00 | .WASHER, PLAIN | 1 | |
| 35 | 93430-04031-00 | .CIRCLIP | 1 | |
| 36 | 646-14394-00-00 | .VALVE, DRAIN | 1 | |
| 37 | 646-14223-01-00 | .SPRING, DRAIN VALVE | 1 | |
| 38 | 646-14397-00-00 | .O-RING | 1 | |
| 39 | 648-14198-00-00 | GASKET | 1 | |
| 40 | 95380-06600-00 | NUT, HEXAGON | 2 | |
| 41 | 92990-06600-00 | WASHER, PLATE | 2 | |
| 42 | 695-14417-00-00 | COVER 1 | 1 | |
| 43 | 695-14418-01-00 | COVER 2 | 1 | |
| 44 | 98580-05530-00 | SCREW, PAN HEAD | 2 | |
| 45 | 92990-05600-00 | WASHER, PLATE | 2 | |
| 46 | 695-14476-00-00 | SEAL | 1 | |
| 47 | 682-41271-00-00 | KNOB, CHOKE | 1 | |
| 48 | 689-41273-00-00 | GROMMET | 1 | |
| 49 | 689-41252-01-00 | LEVER, CHOKE 1 | 1 | |
| 50 | 91690-40048-00 | PIN, SPRING | 1 | |
| 51 | 695-41256-00-00 | ROD, CHOKE 1 | 1 | |
| 52 | 661-41262-02-00 | JOINT, CHOKE LEVER | 1 | |
| 53 | 90461-06M01-00 | CLAMP | 1 | |

Part Notes

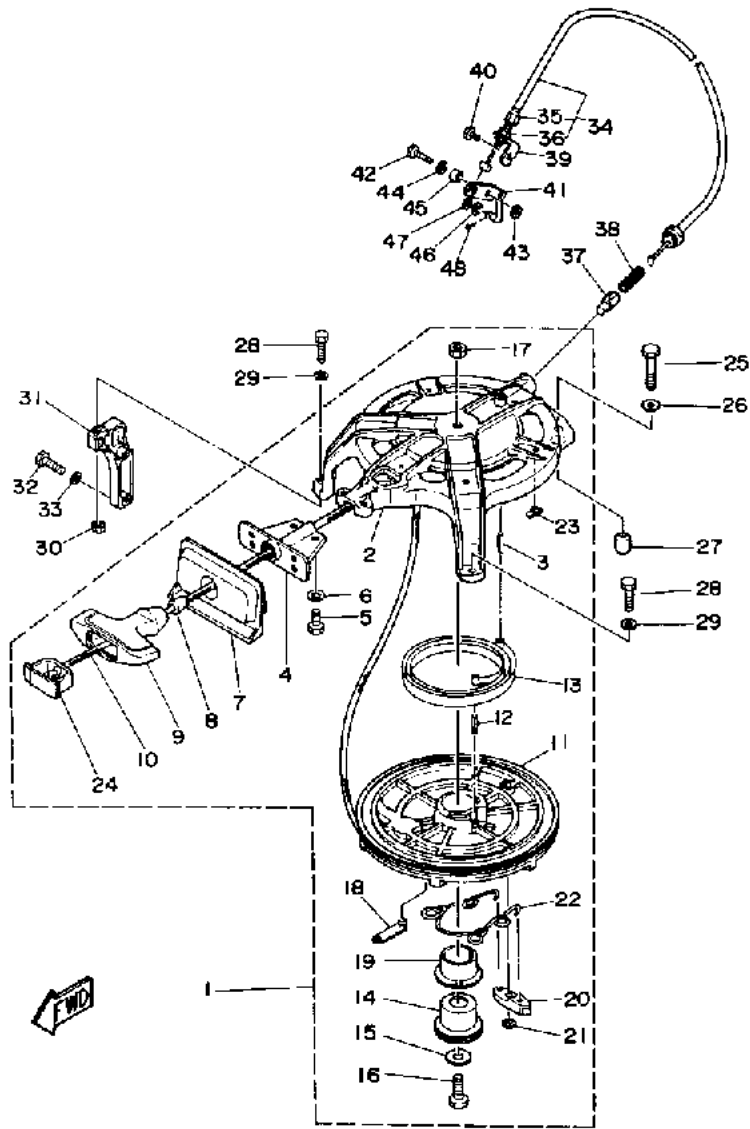
CV25ELD 1990 / INTAKE CARBURETOR

| PART NUMBER | NOTE TEXT |
|--|--|
| 92990-06600-00  | OEM: This part number is among the Top 100 Most Popular Marine Maintenance Parts as of March 2014. |

| | | |
|----------------|---|--|
| 92990-06600-00 |  | OEM: This part number is among the Top 100 Most Popular Marine Maintenance Parts as of March 2014. |
| 92990-06600-00 |  | OEM: This part number is among the Top 100 Most Popular Marine Maintenance Parts as of March 2014. |

©2014 Yamaha Motor Corporation, U.S.A. All rights reserved.

CV25ELD 1990 / MANUAL STARTER



©2014 Yamaha Motor Corporation, U.S.A. All rights reserved.





Part List

CV25ELD 1990 / MANUAL STARTER

| REF - NO | PART NUMBER | PART NAME | QUANTITY | REMARKS |
|----------|-----------------|---------------------------|----------|---------|
| 1 | 689-15710-03-00 | STARTER ASSEMBLY | 1 | |
| 2 | 676-15711-00-94 | .CASE, STARTER | 1 | |
| 3 | 91690-40020-00 | .PIN, SPRING | 2 | |
| 4 | 689-15758-01-94 | .GUIDE, ROPE | 1 | |
| 5 | 97395-06016-00 | .BOLT, HEX | 2 | |
| 6 | 92990-06600-00 | .WASHER, PLATE | 2 | |
| 7 | 689-15762-01-00 | .SEAL, RUBBER 2 | 1 | |
| 8 | 689-15789-00-00 | .DAMPER | 1 | |
| 9 | 689-15755-01-00 | .HANDLE, STARTER | 1 | |
| 10 | 90580-50M01-00 | .ROPE, STARTER | 1 | |
| 11 | 676-15714-00-94 | .DRUM, SHEAVE | 1 | |
| 12 | 91690-40020-00 | .PIN, SPRING | 1 | |
| 13 | 90510-09M00-00 | .SPRING, SPIRAL | 1 | |
| 14 | 676-15717-00-00 | .SHAFT, STARTER | 1 | |
| 15 | 90201-08309-00 | .WASHER, PLATE | 1 | |
| 16 | 97013-08025-00 | .BOLT | 1 | |
| 17 | 95333-08600-00 | .NUT | 1 | |
| 18 | 676-15799-01-00 | .CLIP | 1 | |
| 19 | 90386-35M01-00 | .BUSH | 1 | |
| 20 | 676-15741-03-00 | .PAWL, DRIVE | 1 | |
| 21 | 93430-06M02-00 | .CIRCLIP | 1 | |
| 22 | 676-15705-00-00 | .SPRING, DRIVE PAWL | 1 | |
| 23 | 676-15773-00-00 | .STAY 3 | 6 | |
| 24 | 6F5-15779-02-00 | .COVER | 1 | |
| 25 | 97090-08035-00 | BOLT | 1 | |
| 26 | 92990-08600-00 | .WASHER, PLATE | 1 | |
| 27 | 99510-12016-00 | PIN, DOWEL | 1 | |
| 28 | 97395-06030-00 | BOLT | 2 | |
| 29 | 92990-06600-00 | WASHER, PLATE | 2 | |
| 30 | 95380-06600-00 | NUT, HEXAGON | 1 | |
| 31 | 6H7-15771-01-94 | STAY 1 | 1 | |
| 32 | 97313-06025-00 | BOLT | 2 | |
| 33 | 92990-06600-00 | WASHER, PLATE | 2 | |
| 34 | 656-15770-00-00 | CABLE COMP., STARTER STOP | 1 | |
| 35 | 90123-06049-00 | .BOLT | 1 | |
| 36 | 95380-06600-00 | .NUT, HEXAGON | 2 | |
| 37 | 656-15748-00-00 | PLUNGER, STARTER STOP | 1 | |
| 38 | 90501-10227-00 | SPRING, COMPRESSION | 1 | |
| 39 | 656-15774-00-00 | STAY 4 | 1 | |
| 40 | 97313-06010-00 | BOLT, HEXAGON | 1 | |
| 41 | 656-15749-00-00 | LINK, STARTER STOP | 1 | |
| 42 | 97313-06020-00 | BOLT, HEXAGON | 1 | |
| 43 | 92990-06600-00 | WASHER, PLATE | 1 | |
| 44 | 90206-08010-00 | WASHER, WAVE | 1 | |
| 45 | 90387-06568-00 | COLLAR | 1 | |
| 46 | 90206-05005-00 | WASHER, WAVE | 1 | |
| 47 | 92990-05600-00 | WASHER, PLATE | 1 | |
| 48 | 91490-16010-00 | PIN. COTTER | 1 | |

Part Notes

CV25ELD 1990 / MANUAL STARTER

| PART NUMBER | NOTE TEXT |
|--|--|
| 92990-06600-00  | OEM: This part number is among the Top 100 Most Popular Marine Maintenance Parts as of March 2014. |
| 92990-06600-00  | OEM: This part number is among the Top 100 Most Popular Marine Maintenance Parts as of March 2014. |
| 92990-06600-00  | OEM: This part number is among the Top 100 Most Popular Marine Maintenance Parts as of March 2014. |
| 92990-06600-00  | OEM: This part number is among the Top 100 Most Popular Marine Maintenance Parts as of March 2014. |

©2014 Yamaha Motor Corporation, U.S.A. All rights reserved.




Part List

CV25ELD 1990 / FUEL TANK

| REF - NO | PART NUMBER | PART NAME | QUANTITY | REMARKS |
|----------------|-----------------|-------------------------|----------|---------|
| 1 | 6Y1-W2420-42-24 | FUEL TANK ASSEMBLY | 1 | |
| 2 | 6Y1-24244-20-00 | .GRAPHIC, SIDE | 1 | |
| 3 | 6Y1-24610-00-00 | .CAP ASSEMBLY | 1 | |
| 4 | 6Y1-24260-02-00 | .FUEL METER ASSEMBLY | 1 | |
| 5 | 6Y1-24268-00-00 | .GASKET, FUEL METER | 1 | |
| 6 | 6Y1-24329-00-00 | .SEAL | 4 | |
| 7 | 98586-05016-00 | .SCREW, PAN HEAD | 4 | |
| 8 | 6Y1-24255-40-00 | .GRAPHIC, FUEL TNK 8 | 1 | |
| 9 | 6Y1-24306-51-00 | FUEL PIPE COMP. 1 | 1 | |
| 10 | 90445-11M06-00 | .HOSE (L2050) | 1 | |
| 11 | 6Y1-24360-51-00 | .PRIMER PUMP ASSY | 1 | |
| 12 | 90445-11M05-00 | .HOSE (L850) | 1 | |
| 13 | 650-24351-51-00 | .BAND 1 | 4 | |
| 14 | 6G1-24305-01-00 | .FUEL PIPE JOINT COMP 2 | 1 | |
| 15 | 93210-08287-00 | ..O-RING | 1 | |
| 16 | 6Y1-24305-02-00 | .FUEL PIPE JOINT COMP 2 | 1 | |
| 17 | 93210-08287-00 | ..O-RING | 1 | |
| 18 | 6G1-24304-02-00 | FUEL PIPE JOINT COMP. 1 | 1 | |
| 19 | 97395-06020-00 | BOLT, HEXAGON | 1 | |
| 20 | 92990-06600-00 | WASHER, PLATE | 1 | |
| 21 | 90445-09M25-00 | HOSE (L600) | 1 | |
| 22 | 90467-08004-00 | CLIP | 2 | |
| 23 | 655-24560-01-00 | FILTER ASSEMBLY | 1 | |
| 24 | 6F5-24563-00-00 | .ELEMENT, FILTER | 1 | |
| 25 | 93210-37M25-00 | .O-RING | 1 | |
| 26 | 655-24521-01-00 | .CUP, FILTER | 1 | |
| 27 | 648-24566-01-00 | BRACKET, FILTER | 1 | |
| 28 | 97013-06012-00 | BOLT | 1 | |
| 29 | 95380-08600-00 | NUT | 1 | |
| 30 | 664-24311-00-00 | PIPE, FUEL 1 | 1 | |
| 31 | 90467-08004-00 | CLIP | 2 | |
| 32 | 6A0-24410-05-00 | FUEL PUMP ASSEMBLY | 1 | |
| 33 | 648-24411-00-00 | .DIAPHRAGM | 1 | |
| 34 | 648-24424-00-00 | .SEAT, SPRING | 1 | |
| 35 | 648-24423-00-00 | .SPRING, DIAPHRAGM | 1 | |
| 36 | 648-24434-01-00 | .GASKET, BODY | 1 | |
| 37 | 6A0-24421-01-00 | .VALVE, CHECK | 2 | |
| 38 | 6A0-14325-00-00 | .SCREW, PAN HEAD | 2 | |
| 39 | 95380-03600-00 | .NUT | 2 | |
| 40 | 648-24435-02-00 | .GASKET, BODY 2 | 1 | |
| 41 | 663-24411-00-00 | .DIAPHRAGM | 1 | |
| 42 | 648-24413-01-00 | .BODY 2 | 1 | |
| 43 | 98580-05530-00 | .SCREW, PAN HEAD | 3 | |
| 44 | 92990-05100-00 | .WASHER, SPRING | 3 | |
| 45 | 650-24431-A0-00 | GASKET, FUEL PUMP 1 | 1 | |
| 46 | 97395-06040-00 | BOLT | 2 | |
| 47 | 92990-06600-00 | WASHER, PLATE | 2 | |
| 48 | 648-24312-01-00 | PIPE 2 | 1 | |
| 49 | 90467-08004-00 | CLIP | 2 | |
| 50 | ABB-FLUSH-JD-00 | JET DRIVE FLUSH | 1 | AP |

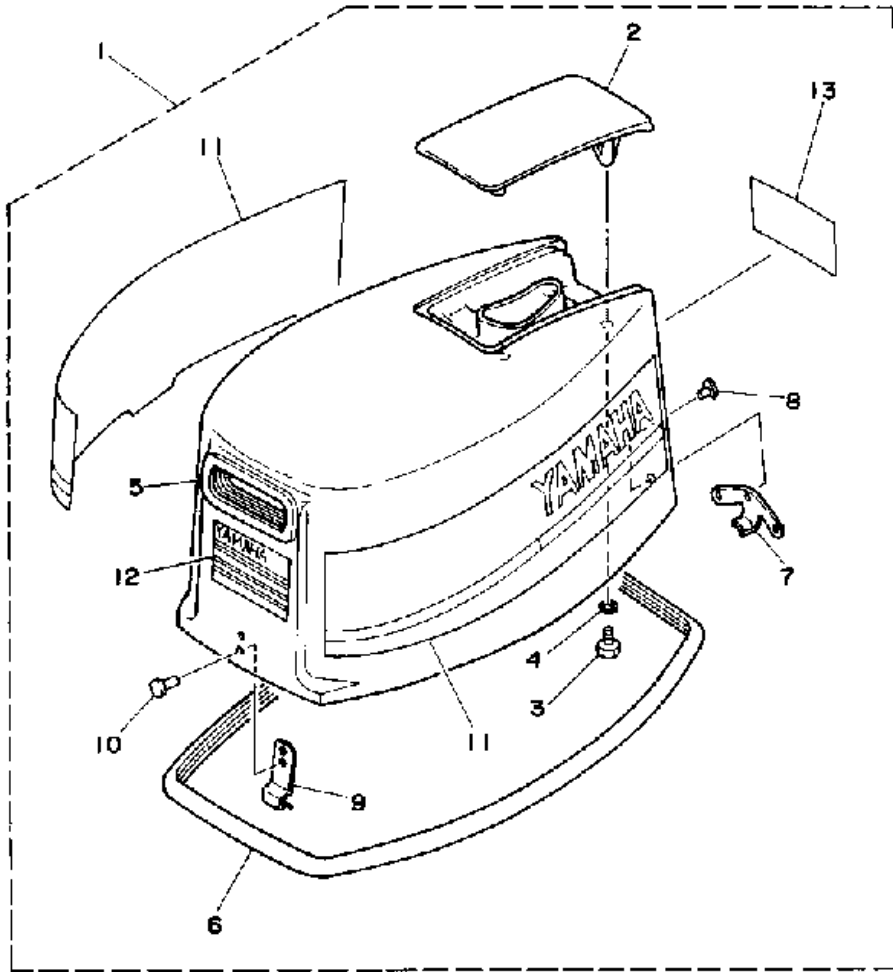
Part Notes

CV25ELD 1990 / FUEL TANK

| PART NUMBER | NOTE TEXT |
|---|--|
| 92990-06600-00  | OEM: This part number is among the Top 100 Most Popular Marine Maintenance Parts as of March 2014. |
| 650-24431-A0-00  | OEM: This part number is among the Top 100 Most Popular Marine Maintenance Parts as of March 2014. |
| 92990-06600-00  | OEM: This part number is among the Top 100 Most Popular Marine Maintenance Parts as of March 2014. |

©2014 Yamaha Motor Corporation, U.S.A. All rights reserved.

CV25ELD 1990 / TOP COWLING



©2014 Yamaha Motor Corporation, U.S.A. All rights reserved.


Part List

CV25ELD 1990 / TOP COWLING

| REF - NO | PART NUMBER | PART NAME | QUANTITY | REMARKS |
|----------------|-----------------|----------------------|----------|---------|
| 1 | 695-42610-L1-EJ | TOP COWLING ASSEMBLY | 1 | |
| 2 | 689-42613-00-EJ | .MOLDING, AIR DUCT | 1 | |
| 3 | 97395-06012-00 | .BOLT | 4 | |
| 4 | 92990-06600-00 | .WASHER, PLATE | 4 | |
| 5 | 689-15761-00-00 | .SEAL, RUBBER 1 | 1 | |
| 6 | 6G0-42615-00-00 | .SEAL | 1 | |
| 7 | 689-42647-00-00 | .HOLDER, CLAMP BAND | 1 | |
| 8 | 90266-04M01-00 | .RIVET | 3 | |
| 9 | 6G0-42651-02-00 | .HOOK | 1 | |
| 10 | 90266-04M00-00 | .RIVET | 2 | |
| 11 | 689-W0070-23-00 | .GRAPHIC SET | 1 | |
| 12 | 689-42677-01-00 | .GRAPHIC, FRONT | 1 | |
| 13 | 695-42678-L0-00 | .GRAPHIC, REAR | 1 | |

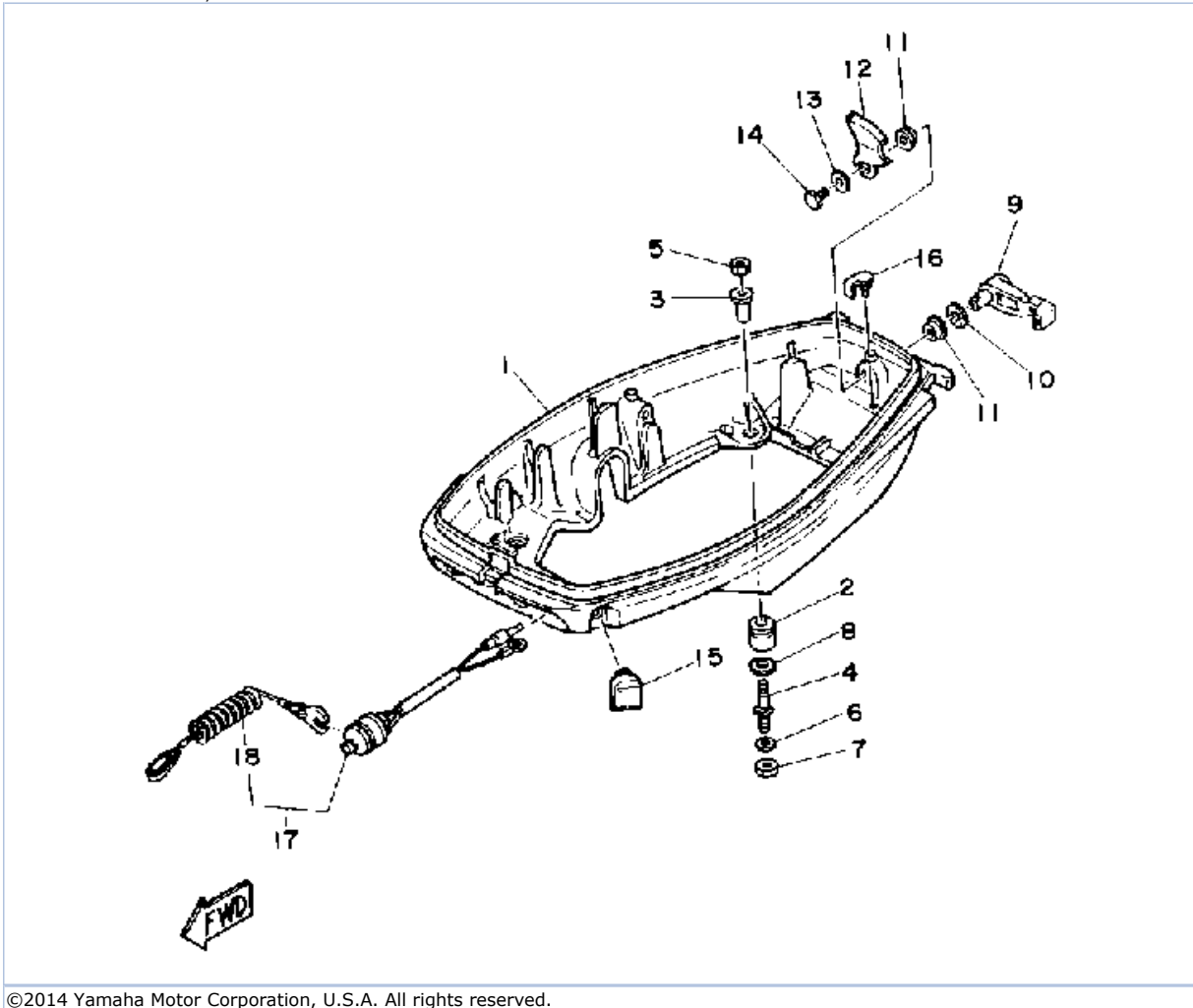
Part Notes

CV25ELD 1990 / TOP COWLING

| PART NUMBER | NOTE TEXT |
|--|--|
| 92990-06600-00  | OEM: This part number is among the Top 100 Most Popular Marine Maintenance Parts as of March 2014. |

©2014 Yamaha Motor Corporation, U.S.A. All rights reserved.

CV25ELD 1990 / BOTTOM COWLING



©2014 Yamaha Motor Corporation, U.S.A. All rights reserved.


Part List

CV25ELD 1990 / BOTTOM COWLING

| REF - NO | PART NUMBER | PART NAME | QUANTITY | REMARKS |
|----------------|-----------------|--|----------|---------|
| 1 | 689-42711-01-EJ | BOTTOM COWLING | 1 | |
| 2 | 90480-15M06-00 | .GROMMET | 4 | |
| 3 | 90387-08M25-00 | COLLAR | 4 | |
| 4 | 6G0-42796-00-00 | BOLT 1 | 4 | |
| 5 | 95380-08700-00 | NUT | 4 | |
| 6 | 92990-08600-00 | ..WASHER, PLATE | 4 | |
| 7 | 95380-08700-00 | NUT | 4 | |
| 8 | 90201-08M87-00 | WASHER, PLATE | 4 | |
| 9 | 689-42815-00-00 | LEVER, CLAMP | 1 | |
| 10 | 90206-12052-00 | WASHER, WAVE | 1 | |
| 11 | 90386-12069-00 | BUSH | 2 | |
| 12 | 689-42816-00-00 | LEVER, CLAMP | 1 | |
| 13 | 90201-06M02-00 | WASHER, PLATE | 1 | |
| 14 | 97313-06010-00 | BOLT, HEXAGON | 1 | |
| 15 | 689-42725-00-00 | GROMMET | 1 | |
| 16 | 647-42523-00-00 | SPACER, FRICTION | 1 | |
| 17 | 689-82575-03-00 | ENGINE STOP SWITCH ASSEMBLY (689-82575-02- 00) | 1 | |
| 18 | 682-82556-00-00 | .LANYARD, STOP SWITCH | 1 | |

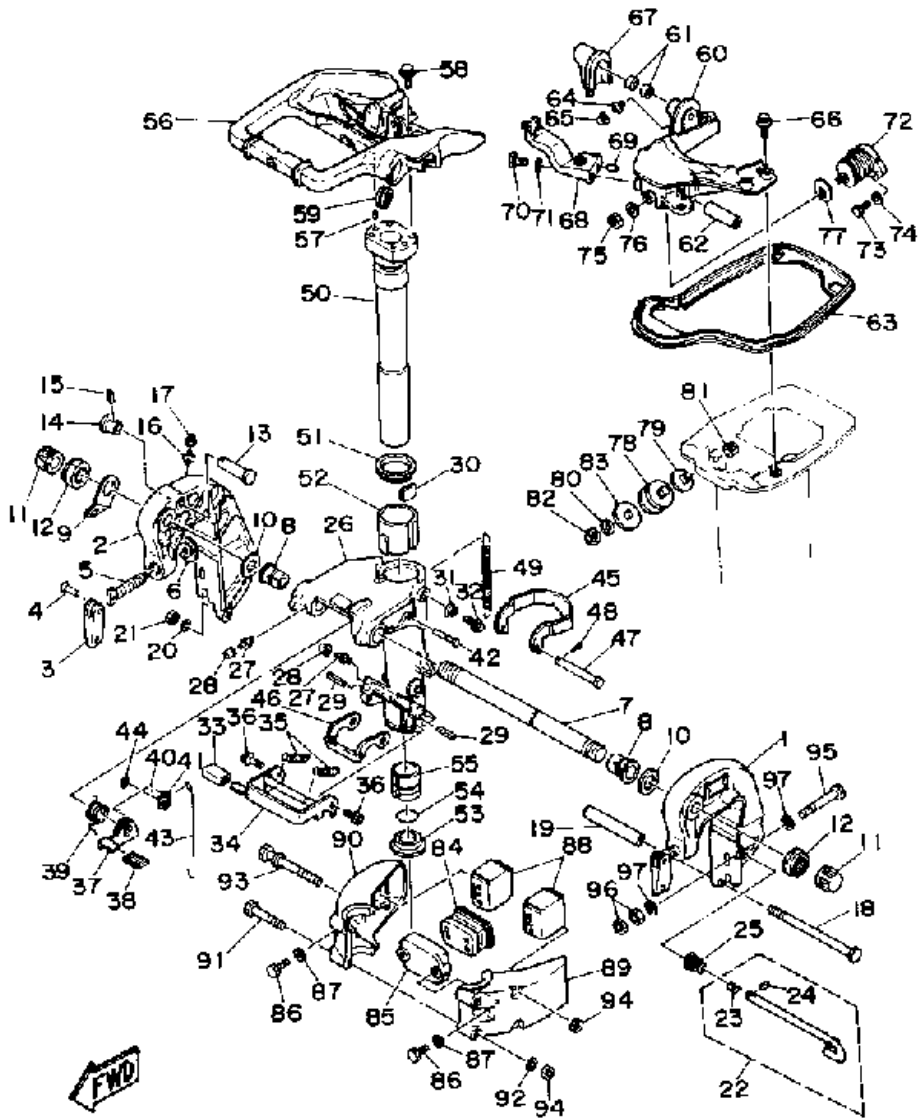
Part Notes

CV25ELD 1990 / BOTTOM COWLING

| PART NUMBER | NOTE TEXT |
|---|--|
| 682-82556-00-00  | OEM: This part number is among the Top 100 Most Popular Marine Maintenance Parts as of March 2014. |

©2014 Yamaha Motor Corporation, U.S.A. All rights reserved.

CV25ELD 1990 / BRACKET 1



©2014 Yamaha Motor Corporation, U.S.A. All rights reserved.

Part List



CV25ELD 1990 / BRACKET 1

| REF - NO | PART NUMBER | PART NAME | QUANTITY | REMARKS |
|----------------|-----------------|-------------------------------------|----------|---------|
| 1 | 689-43111-02-EJ | BRACKET, CLAMP | 1 | |
| 2 | 689-43112-02-EJ | BRACKET, CLAMP | 1 | |
| 3 | 616-43118-00-EJ | HANDLE, TRANSOM CLPTRANSOM CLAMP | 2 | |
| 4 | 90243-04M00-00 | PIN | 2 | |
| 5 | 90149-14030-00 | SCREW, SPECL SHAPE | 2 | |
| 6 | 648-43114-01-00 | PAD, TRANSOM CLAMP | 2 | |
| 7 | 6J8-43131-01-00 | BOLT, CLAMP BRACKET | 1 | |
| 8 | 90386-22M67-00 | BUSH | 2 | |
| 9 | 6J8-43113-01-00 | PLATE, CLAMP BRACKET | 1 | |
| 10 | 90201-22428-00 | WASHER, PLATE | 2 | |
| 11 | 6G5-43145-00-00 | CAP, CLAMP BRACKET | 2 | |
| 12 | 90185-22043-00 | NUT, SELF-LOCKING | 2 | |
| 13 | 689-43191-00-00 | SHAFT, STOPPER | 1 | |
| 14 | 689-43192-01-00 | KNOB, STOPPER | 1 | |
| 15 | 91690-30016-00 | PIN, SPRING | 1 | |
| 16 | 93700-06M03-00 | NIPPLE, GREASE | 1 | |
| 17 | 663-45119-00-00 | CAP, GREASE NIPPLE | 1 | |
| 18 | 90101-08339-00 | BOLT | 1 | |
| 19 | 90387-08M03-00 | COLLAR | 1 | |
| 20 | 92990-08600-00 | ..WASHER, PLATE | 1 | |
| 21 | 95380-08600-00 | NUT | 1 | |
| 22 | 689-43160-00-00 | TILT ROD ASSY | 1 | |
| 23 | 689-43165-00-00 | .PLATE, TILT LOCK | 1 | |
| 24 | 91690-30008-00 | .PIN, SPRING | 1 | |
| 25 | 90502-10M07-00 | SPRING, CONICAL | 1 | |
| 26 | 689-43311-03-EJ | BRACKET, SWIVEL 1 | 1 | |
| 27 | 93700-06M03-00 | NIPPLE, GREASE | 3 | |
| 28 | 663-45119-00-00 | CAP, GREASE NIPPLE | 3 | |
| 29 | 91690-40035-00 | PIN, SPRING | 2 | |
| 30 | 648-42528-00-00 | PLATE, FRICTION | 1 | |
| 31 | 689-43373-01-00 | SEAL, DAMPER | 1 | |
| 32 | 90105-06M18-00 | BOLT, FLANGE | 1 | |
| 33 | 682-43318-01-00 | COVER | 1 | |
| 34 | 689-43681-01-00 | LEVER, SHALLOW WATER DRIVE | 1 | |
| 35 | 90506-16M17-00 | SPRING, TENSION | 2 | |
| 36 | 90109-06M18-00 | BOLT | 2 | |
| 37 | 689-43631-00-00 | LEVER, TILT | 1 | |
| 38 | 689-43633-00-00 | .COVER, TILT LEVER | 1 | |
| 39 | 689-43643-00-00 | SPRING | 1 | |
| 40 | 689-43616-00-00 | ROD, TILT LOCK | 1 | |
| 41 | 648-43642-00-00 | LEVER, TILT 1 | 1 | |
| 42 | 90249-06M22-00 | PIN | 1 | |
| 43 | 648-43617-00-00 | ROD, TILT LOCK | 1 | |
| 44 | 99080-05600-00 | CIRCLIP | 1 | |
| 45 | 689-43614-00-00 | PLATE, TILT LOCK | 1 | |
| 46 | 648-43615-00-00 | PLATE, TILT LOCK | 1 | |
| 47 | 90240-05046-00 | PIN, CLEVIS | 1 | |
| 48 | 91490-16010-00 | PIN. COTTER | 1 | |
| 49 | 90506-30M27-00 | SPRING, TENSION | 1 | |
| 50 | 689-42521-00-94 | SHAFT, STEERING PIVOT | 1 | |
| 51 | 90209-47016-00 | WASHER | 1 | |
| 52 | 90386-47M22-00 | BUSH | 1 | |
| 53 | 90386-38022-00 | BUSH | 1 | |
| 54 | 93210-37M67-00 | O-RING | 1 | |
| 55 | 90386-38090-00 | BUSH | 1 | |
| 56 | 689-42511-00-EJ | BRACKET, STEERING | 1 | |
| 57 | 93608-12063-00 | PIN, DOWEL | 2 | |
| 58 | 90105-06M07-00 | .BOLT, FLANGE | 4 | |
| 59 | 90480-29045-00 | GROMMET | 1 | |

| | | | | |
|----|-----------------|---------------------------------|---|--|
| 60 | 648-44518-00-94 | BRACKET COMP. | 1 | |
| 61 | 90380-12012-00 | BUSH, SOLID | 2 | |
| 62 | 90387-10M39-00 | COLLAR | 2 | |
| 63 | 689-42716-00-00 | RUBBER, SEAL 1 | 1 | |
| 64 | 93700-06M03-00 | NIPPLE, GREASE | 1 | |
| 65 | 663-45119-00-00 | CAP, GREASE NIPPLE | 1 | |
| 66 | 90105-06M08-00 | BOLT, FLANGE | 4 | |
| 67 | 689-42718-00-00 | RUBBER, SEAL 3 | 1 | |
| 68 | 648-44519-00-94 | BRACKET | 1 | |
| 69 | 93606-12019-00 | .PIN, DOWEL | 1 | |
| 70 | 97080-06018-00 | BOLT | 1 | |
| 71 | 92990-06600-00 | WASHER, PLATE | 1 | |
| 72 | 689-44516-00-00 | MOUNT DAMPER, UPPER FRONT | 1 | |
| 73 | 97395-06020-00 | BOLT, HEXAGON | 2 | |
| 74 | 92990-06600-00 | WASHER, PLATE | 2 | |
| 75 | 95380-10600-00 | NUT | 1 | |
| 76 | 92990-10200-00 | WASHER, PLAIN | 1 | |
| 77 | 648-44591-A0-00 | GASKET | 1 | |
| 78 | 664-44514-00-94 | MOUNT DAMPER, UPPER SIDE | 2 | |
| 79 | 648-44591-A0-00 | GASKET | 2 | |
| 80 | 92990-10200-00 | WASHER, PLAIN | 2 | |
| 81 | 95380-10600-00 | NUT | 2 | |
| 82 | 95380-10800-00 | NUT | 2 | |
| 83 | 664-44591-00-00 | GASKET, MOUNT DAMPR | 2 | |
| 84 | 689-44557-00-00 | MOUNT DAMPER, LOWER FRONT | 1 | |
| 85 | 689-44553-00-94 | COVER, LOWER MOUNT | 1 | |
| 86 | 97395-08025-00 | BOLT | 2 | |
| 87 | 92990-08600-00 | ..WASHER, PLATE | 2 | |
| 88 | 689-44555-00-00 | MOUNT DAMPER, LOWER SIDE | 2 | |
| 89 | 689-44551-00-EJ | HOUSING, LWR, MOUNTMOUNT RUBBER | 1 | |
| 90 | 689-44552-00-EJ | HOUSING, LWR.MNT.MOUNT RUBBER | 1 | |
| 91 | 97395-08065-00 | BOLT | 2 | |
| 92 | 92990-08600-00 | ..WASHER, PLATE | 2 | |
| 93 | 90119-08M03-00 | BOLT, WITH WASHER | 2 | |
| 94 | 95380-08600-00 | NUT | 4 | |
| 95 | 97395-08070-00 | BOLT | 2 | |
| 96 | 95380-08600-00 | NUT | 4 | |
| 97 | 92995-08600-00 | WASHER | 4 | |

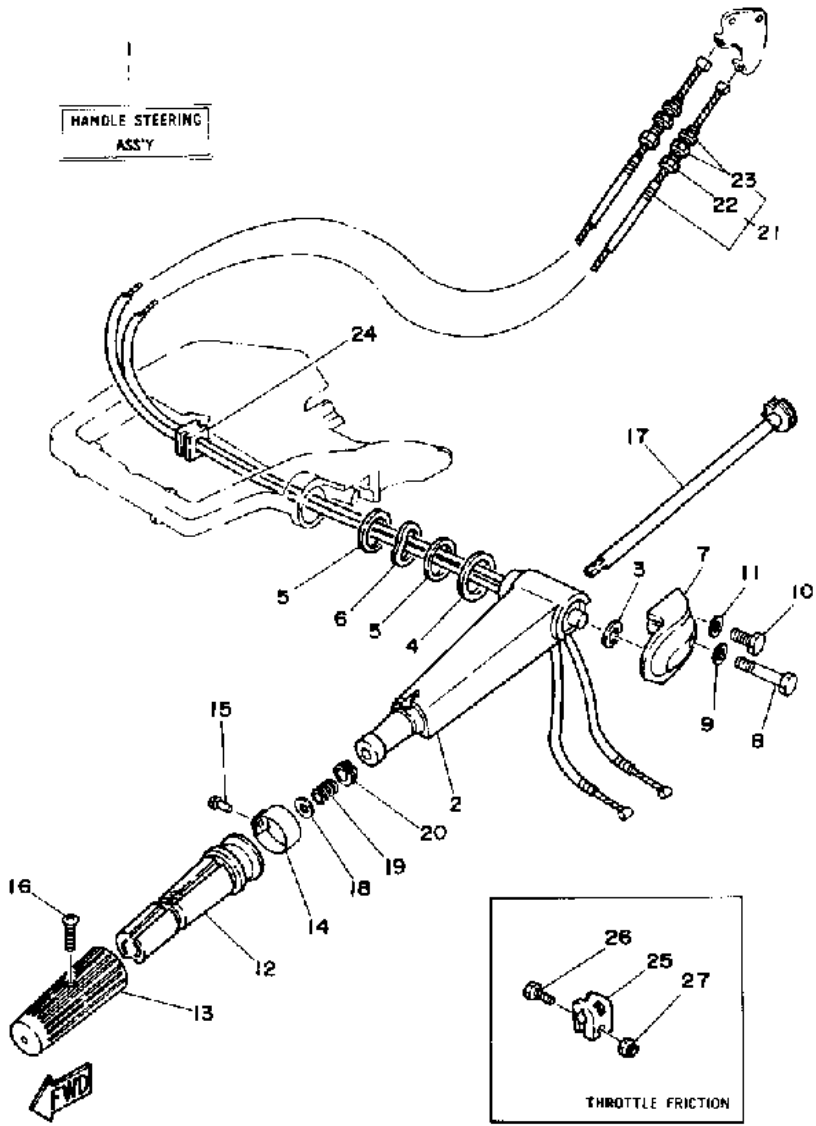
Part Notes

CV25ELD 1990 / BRACKET 1

| PART NUMBER | | NOTE TEXT |
|----------------|---|--|
| 92990-06600-00 |  | OEM: This part number is among the Top 100 Most Popular Marine Maintenance Parts as of March 2014. |
| 92990-06600-00 |  | OEM: This part number is among the Top 100 Most Popular Marine Maintenance Parts as of March 2014. |

©2014 Yamaha Motor Corporation, U.S.A. All rights reserved.

CV25ELD 1990 / STEERING



©2014 Yamaha Motor Corporation, U.S.A. All rights reserved.




Part List

CV25ELD 1990 / STEERING

| REF - NO | PART NUMBER | PART NAME | QUANTITY | REMARKS |
|----------------|-----------------|------------------------------------|----------|---------|
| 1 | 695-W0084-10-EJ | TILLER HANDLE KIT (REF. #2~24) | 1 | |
| 2 | 694-42111-00-EJ | HANDLE, STEERING | 1 | |
| 3 | 90560-14076-00 | SPACER | 1 | |
| 4 | 90202-34043-00 | WASHER, PLATE | 1 | |
| 5 | 90201-28M00-00 | WASHER, PLATE | 2 | |
| 6 | 90206-28M07-00 | WASHER, WAVE | 1 | |
| 7 | 689-42112-00-EJ | STEERING HANDLE 2 | 1 | |
| 8 | 97395-06050-00 | BOLT | 1 | |
| 9 | 92990-06600-00 | WASHER, PLATE | 1 | |
| 10 | 97395-06020-00 | BOLT, HEXAGON | 1 | |
| 11 | 92990-06600-00 | WASHER, PLATE | 1 | |
| 12 | 664-42119-00-00 | GRIP, STEERING HANDLE | 1 | |
| 13 | 6G1-42177-00-00 | RUBBER, HANDLE | 1 | |
| 14 | 695-42137-20-00 | INDICATOR, THROTTLE | 1 | |
| 15 | 90269-02M09-00 | RIVET | 1 | |
| 16 | 90149-05M13-00 | SCREW | 1 | |
| 17 | 689-42138-00-00 | LEVER, THROTTLE | 1 | |
| 18 | 92990-10600-00 | WASHER, PLATE | 1 | |
| 19 | 90501-23215-00 | SPRING, COMPRESSION | 1 | |
| 20 | 90386-08032-00 | BUSH | 1 | |
| 21 | 689-26311-03-00 | CABLE, THROTTLE 1 | 2 | |
| 22 | 90123-06M00-00 | .BOLT | 1 | |
| 23 | 90170-06183-00 | .NUT | 2 | |
| 24 | 90480-12156-00 | GROMMET | 1 | |
| 25 | 656-42126-01-00 | FRICITION, STEERING HANDLE GRIP | 1 | |
| 26 | 97395-06020-00 | BOLT, HEXAGON | 1 | |
| 27 | 90185-06062-00 | NUT, SELF-LOCKING | 1 | |

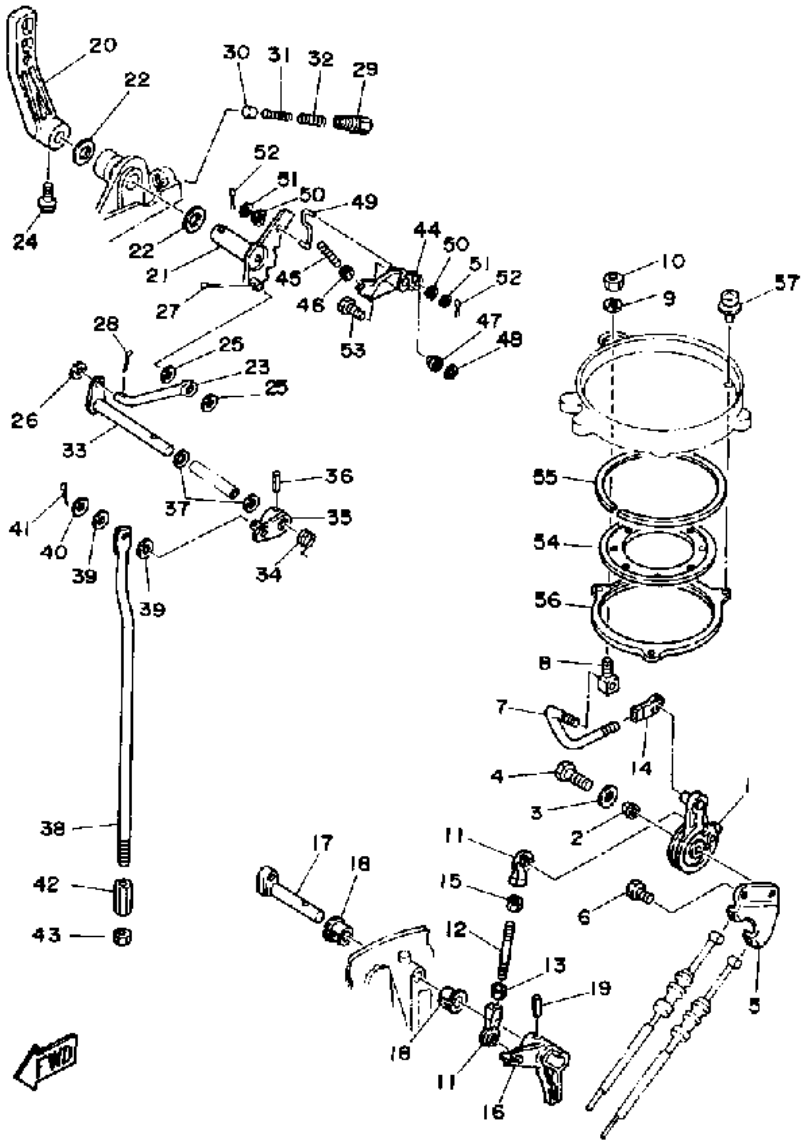
Part Notes

CV25ELD 1990 / STEERING

| PART NUMBER | | NOTE TEXT |
|----------------|---|--|
| 92990-06600-00 |  | OEM: This part number is among the Top 100 Most Popular Marine Maintenance Parts as of March 2014. |
| 92990-06600-00 |  | OEM: This part number is among the Top 100 Most Popular Marine Maintenance Parts as of March 2014. |
| 92990-10600-00 |  | OEM: This part number is among the Top 100 Most Popular Marine Maintenance Parts as of March 2014. |

©2014 Yamaha Motor Corporation, U.S.A. All rights reserved.

CV25ELD 1990 / CONTROL ENGINE



©2014 Yamaha Motor Corporation, U.S.A. All rights reserved.



Part List

CV25ELD 1990 / CONTROL ENGINE

| REF - NO | PART NUMBER | PART NAME | QUANTITY | REMARKS |
|----------|-----------------|-------------------------|----------|---------------|
| 1 | 664-41631-00-94 | LEVER, MAGNETO CONTROL | 1 | |
| 2 | 90387-06M02-00 | COLLAR | 1 | |
| 3 | 90387-06298-00 | COLLAR | 1 | |
| 4 | 97313-06025-00 | BOLT | 1 | |
| 5 | 664-14497-00-00 | STAY, THROTTLE WIRE | 1 | |
| 6 | 97013-06012-00 | BOLT | 1 | |
| 7 | 664-41636-00-00 | ROD, MAGNETO CONTROL | 1 | |
| 8 | 648-41635-00-00 | SHAFT, LINK CONNECTING | 1 | |
| 9 | 90201-05556-00 | WASHER, PLATE | 1 | |
| 10 | 95380-05600-00 | NUT | 1 | |
| 11 | 6H1-41237-00-00 | JOINT, LINK | 2 | |
| 12 | 90116-05220-00 | BOLT, STUD | 1 | |
| 13 | 95380-05600-00 | NUT | 1 | |
| 14 | 6H1-41237-00-00 | JOINT, LINK | 1 | |
| 15 | 95380-05600-00 | NUT | 1 | |
| 16 | 695-42154-71-94 | LEVER, THROTTLE CONTROL | 1 | UR 25EM MODEL |
| 16 | 695-42154-00-94 | LEVER, THROTTLE CONTROL | 1 | UR 25E MODEL |
| 17 | 656-42153-00-94 | SHAFT, THROTTLE CONTROL | 1 | |
| 18 | 90386-10009-00 | .BUSH | 2 | |
| 19 | 91690-40018-00 | .PIN, SPRING | 1 | |
| 20 | 689-44111-00-EJ | HANDLE, GEAR SHIFT | 1 | |
| 21 | 664-44113-01-00 | CAM PLATE, HANDLE | 1 | |
| 22 | 90202-12031-00 | WASHER, PLATE | 2 | |
| 23 | 664-44142-00-00 | JOINT | 1 | |
| 24 | 90105-06M07-00 | .BOLT, FLANGE | 1 | |
| 25 | 90202-06007-00 | WASHER, PLATE | 2 | |
| 26 | 92990-05600-00 | WASHER, PLATE | 1 | |
| 27 | 91490-16010-00 | PIN. COTTER | 1 | |
| 28 | 91490-12012-00 | PIN. COTTER | 1 | |
| 29 | 664-42715-00-00 | BUSHING | 1 | |
| 30 | 664-44167-00-00 | PLUNGER, SHIFT CAM | 1 | |
| 31 | 90501-14M07-00 | SPRING, COMPRESSION | 1 | |
| 32 | 90501-09M08-00 | SPRING, COMPRESSION | 1 | |
| 33 | 689-44121-01-00 | LEVER, SHIFT ROD | 1 | |
| 34 | 90508-14M13-00 | SPRING, TORSION | 1 | |
| 35 | 689-44125-00-00 | LEVER, SHIFT ROD | 1 | |
| 36 | 91690-40016-00 | PIN, SPRING | 1 | |
| 37 | 90202-10024-00 | WASHER, PLATE | 2 | |
| 38 | 6G0-44143-00-00 | ROD, SHIFT | 1 | |
| 39 | 90202-06007-00 | WASHER, PLATE | 2 | |
| 40 | 92990-05600-00 | WASHER, PLATE | 1 | |
| 41 | 91490-20015-00 | PIN. COTTER | 1 | |
| 42 | 648-44146-00-00 | CONNECTOR, SHIFT ROD | 1 | |
| 43 | 90170-07021-00 | NUT | 1 | |
| 44 | 695-15746-71-94 | ARM | 1 | |
| 45 | 90113-05M04-00 | BOLT, SET | 1 | |
| 46 | 95380-05600-00 | NUT | 1 | |
| 47 | 90387-06M02-00 | COLLAR | 1 | |
| 48 | 90387-06298-00 | COLLAR | 1 | |
| 49 | 689-15747-70-00 | LINK | 1 | |
| 50 | 90206-05005-00 | WASHER, WAVE | 1 | |
| 51 | 92990-05600-00 | WASHER, PLATE | 2 | |
| 52 | 91490-16010-00 | PIN. COTTER | 1 | |
| 53 | 97313-06020-00 | BOLT, HEXAGON | 1 | |
| 54 | 695-41612-00-00 | RETAINER, MAGNETO BASE | 1 | |
| 55 | 695-41613-00-00 | PLATE, BASE FRICTION | 1 | |
| 56 | 695-41611-00-94 | RETAINER, MAGNETO BASE | 1 | |
| 57 | 97985-05210-00 | SCREW, WITH WASHER | 3 | |

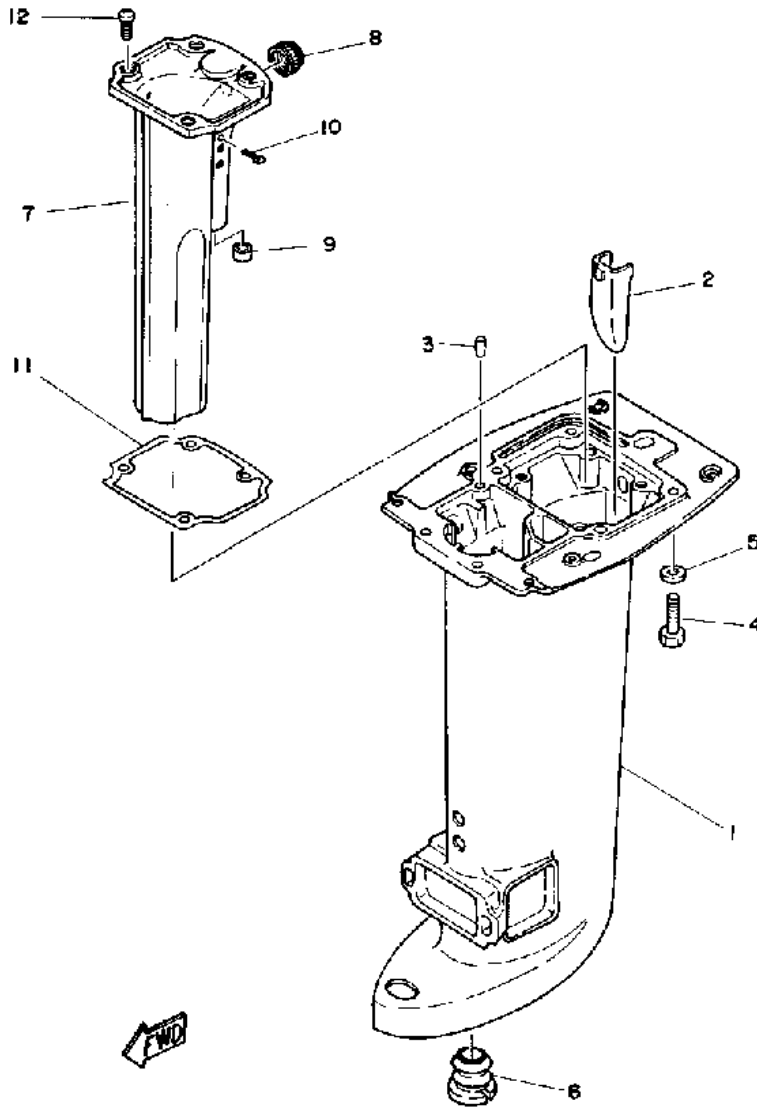
Part Notes

CV25ELD 1990 / CONTROL ENGINE

| PART NUMBER | | NOTE TEXT |
|-----------------|---|--|
| 6H1-41237-00-00 |  | OEM: This part number is among the Top 100 Most Popular Marine Maintenance Parts as of March 2014. |
| 6H1-41237-00-00 |  | OEM: This part number is among the Top 100 Most Popular Marine Maintenance Parts as of March 2014. |

©2014 Yamaha Motor Corporation, U.S.A. All rights reserved.

CV25ELD 1990 / UPPER CASING



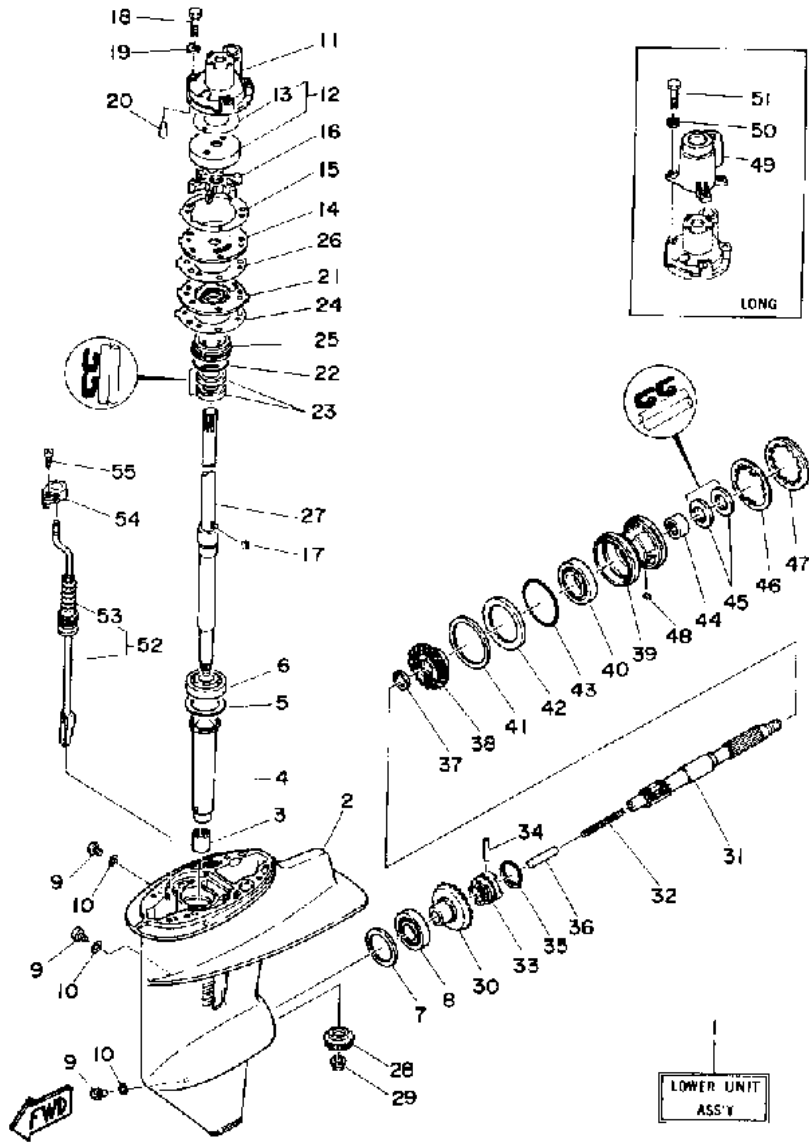
©2014 Yamaha Motor Corporation, U.S.A. All rights reserved.

Part List

CV25ELD 1990 / UPPER CASING

| REF - NO | PART NUMBER | PART NAME | QUANTITY | REMARKS |
|----------------|-----------------|-------------------------------|----------|---------|
| 1 | 61N-W4511-11-EJ | CASING, UPPER | 1 | LONG |
| 2 | 689-41132-10-94 | MANIFOLD, EXHAUST | 1 | LONG |
| 3 | 93606-12019-00 | .PIN, DOWEL | 2 | |
| 4 | 97395-08030-00 | BOLT | 6 | |
| 5 | 92990-08600-00 | ..WASHER, PLATE | 6 | |
| 6 | 689-45127-00-00 | SEAL | 1 | |
| 7 | 664-41131-01-94 | MANIFOLD, EXT. 1 | 1 | |
| 8 | 664-41133-00-00 | GASKET, EXHAUST MANIFOLD 1 | 1 | |
| 9 | 664-41135-00-00 | GASKET, EXHAUST MANIFOLD | 1 | |
| 10 | 91490-30030-00 | PIN, COTTER | 1 | |
| 11 | 664-41134-00-00 | GASKET, EXH.MANI.2 | 1 | |
| 12 | 98580-06016-00 | SCREW, PAN HEAD | 4 | |

CV25ELD 1990 / LOWER DRIVE 1



©2014 Yamaha Motor Corporation, U.S.A. All rights reserved.

Part List



CV25ELD 1990 / LOWER DRIVE 1

| REF - NO | PART NUMBER | PART NAME | QUANTITY | REMARKS |
|----------|-----------------|-------------------------|----------|---------|
| 1 | 689-45300-16-EJ | LOWER UNIT ASSEMBLY | 0 | |
| 2 | 689-45311-03-EJ | CASING, LOWER | 1 | |
| 3 | 93315-017U4-00 | BEARING, CYLINDRICAL | 1 | |
| 4 | 689-45536-00-00 | SLEEVE, DRIVE SHAFT | 1 | |
| 5 | 664-45587-01-15 | SHIM (T:0.15MM) | 1 | UR |
| 5 | 664-45587-01-10 | SHIM (T:0.10MM) | 1 | UR |
| 5 | 664-45587-01-50 | SHIM (T:0.50MM) | 1 | UR |
| 5 | 664-45587-01-30 | SHIM (T:0.30MM) | 1 | UR |
| 5 | 664-45587-01-12 | SHIM (T:0.12MM) | 1 | UR |
| 5 | 664-45587-01-18 | SHIM (T:0.18MM) | 1 | UR |
| 5 | 664-45587-01-40 | SHIM (T:0.40MM) | 1 | UR |
| 6 | 93332-000U4-00 | BEARING | 1 | |
| 7 | 664-45567-01-30 | SHIM (T0.30MM) | 1 | UR |
| 7 | 664-45567-01-50 | SHIM (T:0.50MM) | 1 | UR |
| 7 | 664-45567-01-12 | SHIM (T:0.12MM) | 1 | UR |
| 7 | 664-45567-01-10 | SHIM (T:0.10MM) | 1 | UR |
| 7 | 664-45567-01-15 | SHIM (T:0.15MM) | 1 | UR |
| 7 | 664-45567-01-18 | SHIM (T:0.18MM) | 1 | UR |
| 7 | 664-45567-01-40 | SHIM (T:0.40MM) | 1 | UR |
| 8 | 93332-00005-00 | BEARING | 1 | |
| 9 | 90340-08M04-00 | PLUG, STRAIGHT SCREW | 3 | |
| 10 | 90430-08020-00 | .GASKET | 3 | |
| 11 | 689-44311-03-00 | HOUSING, WATER PUMP | 1 | |
| 12 | 689-W4432-02-00 | INSERT CARTRIDGE COMP | 1 | |
| 13 | 689-44367-01-00 | .DAMPER, WATER SEAL | 1 | |
| 14 | 689-44323-03-00 | OUTER PLATE, CARTRIDGE | 1 | |
| 15 | 689-44324-A0-00 | GASKET, CARTRIDGE | 1 | |
| 16 | 689-44352-02-00 | IMPELLER | 1 | |
| 17 | 664-44338-00-00 | .KEY, WOODRUFF | 1 | |
| 18 | 90101-06M56-00 | BOLT | 3 | |
| 19 | 90209-06M04-00 | WASHER | 3 | |
| 20 | 93604-10M03-00 | PIN, DOWEL | 2 | |
| 21 | 689-44325-02-5B | PROTECTOR, OIL SEAL | 1 | |
| 22 | 93210-40M10-00 | O-RING | 1 | |
| 23 | 93101-22067-00 | .OIL SEAL | 2 | |
| 24 | 689-44315-01-00 | GASKET, WATER PUMP | 1 | |
| 25 | 689-45344-00-94 | COVER, OIL SEAL | 1 | |
| 26 | 689-44316-00-00 | GASKET, WATER PUMP PUMP | 1 | |
| 27 | 689-45501-10-00 | DRIVE SHAFT COMP. | 1 | LONG |
| 28 | 689-45551-00-00 | PINION | 1 | |
| 29 | 90179-09M02-00 | NUT | 1 | |
| 30 | 689-45560-00-00 | GEAR | 1 | |
| 31 | 689-45611-01-00 | SHAFT, PROPELLER | 1 | |
| 32 | 90501-10065-00 | SPRING, COMPRESSION | 1 | |
| 33 | 664-45631-00-00 | CLUTCH, DOG | 1 | |
| 34 | 90250-05010-00 | PIN, STRAIGHT | 1 | |
| 35 | 648-45633-00-00 | RING, CROSS PIN | 1 | |
| 36 | 648-45635-00-00 | PLUNGER, SHIFT | 1 | |
| 37 | 90201-20417-00 | WASHER, PLATE | 1 | |
| 38 | 689-45571-00-00 | GEAR | 1 | |
| 39 | 689-45331-01-94 | HOUSING, BEARING | 1 | |
| 40 | 93306-00612-00 | BEARING | 1 | |
| 41 | 664-45577-01-18 | SHIM (T:0.18MM) | 1 | UR |
| 41 | 664-45577-01-15 | SHIM (T:0.15MM) | 1 | UR |
| 41 | 664-45577-01-10 | SHIM (T:0.10MM) | 1 | UR |
| 41 | 664-45577-01-50 | SHIM (T:0.50MM) | 1 | UR |
| 41 | 664-45577-01-30 | SHIM (T:0.30MM) | 1 | UR |
| 41 | 664-45577-01-40 | SHIM (T:0.40MM) | 1 | UR |
| 41 | 664-45577-01-12 | SHIM (T:0.12MM) | 1 | UR |
| 42 | 664-45576-00-00 | WASHER, THRUST | 1 | UN |

| | | | | |
|----|-----------------|---------------------------|---|------|
| 43 | 93210-60MA3-00 | .O-RING | 1 | |
| 44 | 93315-22004-00 | BEARING | 1 | |
| 45 | 93101-20M07-00 | .OIL SEAL | 2 | |
| 46 | 90214-45M02-00 | WASHER, CLAW | 1 | |
| 47 | 664-45384-00-00 | NUT | 1 | |
| 48 | 90282-04010-00 | KEY, STRAIGHT | 1 | |
| 49 | 689-44312-00-5B | COVER, WATER PUMP HOUSING | 1 | LONG |
| 50 | 92990-06600-00 | WASHER, PLATE | 3 | LONG |
| 51 | 97395-06035-00 | BOLT, HEXAGON | 3 | LONG |
| 52 | 695-44150-10-00 | SHIFT CAM ASSEMBLY | 1 | LONG |
| 53 | 664-44147-00-00 | .BOOT, SHIFT ROD | 1 | |
| 54 | 689-44176-01-00 | BRACKET | 1 | |
| 55 | 97780-50110-00 | SCREW, PAN HEAD | 1 | |

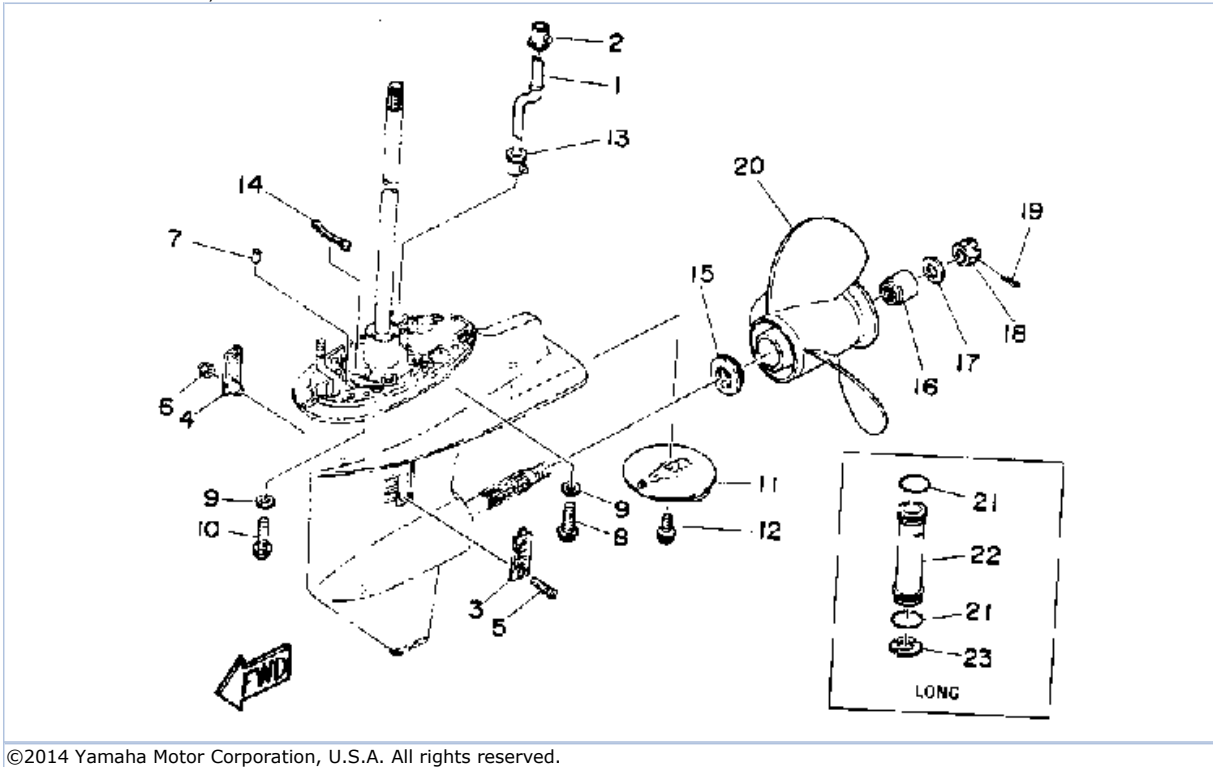
Part Notes

CV25ELD 1990 / LOWER DRIVE 1

| PART NUMBER | | NOTE TEXT |
|----------------|---|--|
| 90430-08020-00 |  | OEM: This part number is among the Top 100 Most Popular Marine Maintenance Parts as of March 2014. |
| 92990-06600-00 |  | OEM: This part number is among the Top 100 Most Popular Marine Maintenance Parts as of March 2014. |

©2014 Yamaha Motor Corporation, U.S.A. All rights reserved.

CV25ELD 1990 / LOWER DRIVE 2



©2014 Yamaha Motor Corporation, U.S.A. All rights reserved.


Part List

CV25ELD 1990 / LOWER DRIVE 2

| REF - NO | PART NUMBER | PART NAME | QUANTITY | REMARKS |
|----------|-----------------|--------------------------------|----------|---------|
| 1 | 689-44361-10-00 | TUBE, WATER | 1 | LONG |
| 2 | 689-44366-00-00 | DAMPER, WATER SEAL | 1 | |
| 3 | 689-45214-01-00 | COVER, WATER INLET | 1 | |
| 4 | 689-45215-01-00 | COVER, WATER INLET | 1 | |
| 5 | 98680-05525-00 | SCREW.OVAL HEAD | 1 | |
| 6 | 90185-05002-00 | NUT, NYLON | 1 | |
| 7 | 93606-12019-00 | .PIN, DOWEL | 2 | |
| 8 | 90105-10059-00 | BOLT, WASHER BASED | 2 | |
| 9 | 92990-10600-00 | WASHER, PLATE | 4 | |
| 10 | 90105-10M12-00 | BOLT, FLANGE | 2 | |
| 11 | 664-45371-01-00 | TAB-TRIM | 1 | |
| 12 | 90105-08M02-00 | BOLT, FLANGE | 1 | |
| 13 | 626-44365-01-00 | DAMPER, WATER SEAL | 1 | |
| 14 | 689-44314-00-00 | SPACER | 1 | |
| 15 | 664-45987-01-00 | SPACER | 1 | |
| 16 | 689-45997-00-00 | SPACER 2 | 1 | |
| 17 | 92990-14200-00 | WASHER, PLAIN | 1 | |
| 18 | 90171-14013-00 | NUT, CASTLE | 1 | |
| 19 | 91490-30030-00 | PIN, COTTER | 1 | |
| 20 | 664-45952-00-EL | PROPELLER (3X9-7/8"X14"-F) | 1 | UR |
| 20 | 664-45945-00-EL | PROPELLER (3X9-7/8"X10-1/2"-F) | 1 | UR |
| 20 | 664-45941-01-EL | PROPELLER (3X9-7/8"X9"-F) | 1 | UR |
| 20 | 664-45943-01-EL | PROPELLER (3X9-7/8"X8"-F) | 1 | UR |
| 20 | 664-45947-01-EL | PROPELLER (3X9-7/8"X11-1/4"-F) | 1 | UR |
| 20 | 664-45949-02-EL | PROPELLER (3X9-7/8"X13"-F) | 1 | UR |
| 21 | 93210-26240-00 | .O-RING | 2 | LONG |
| 22 | 689-44362-00-94 | TUBE, WATER | 1 | LONG |
| 23 | 689-44328-03-00 | PLATE | 1 | LONG |

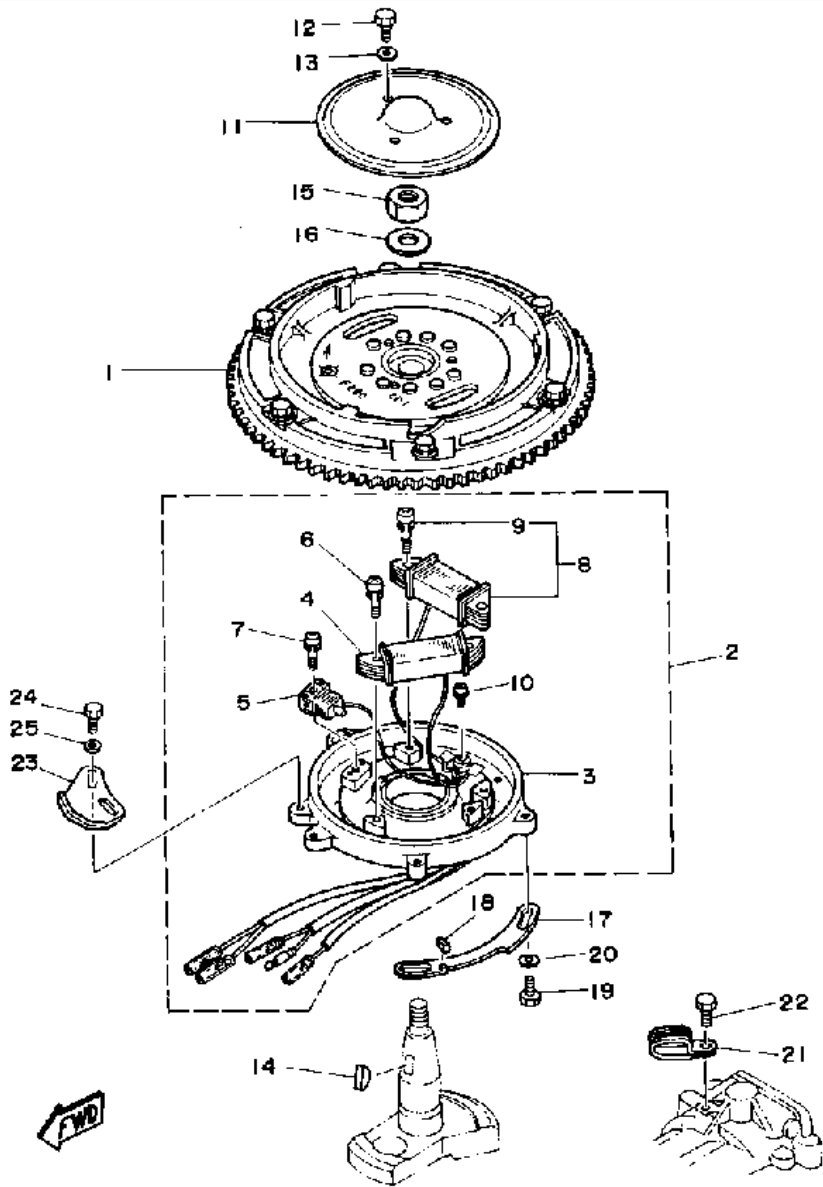
Part Notes

CV25ELD 1990 / LOWER DRIVE 2

| PART NUMBER | NOTE TEXT |
|--|--|
| 92990-10600-00  | OEM: This part number is among the Top 100 Most Popular Marine Maintenance Parts as of March 2014. |

©2014 Yamaha Motor Corporation, U.S.A. All rights reserved.

CV25ELD 1990 / MAGNETO



©2014 Yamaha Motor Corporation, U.S.A. All rights reserved.



Part List

CV25ELD 1990 / MAGNETO

| REF - NO | PART NUMBER | PART NAME | QUANTITY | REMARKS |
|----------------|-----------------|-------------------------------|----------|---------|
| 1 | 695-85550-40-00 | ROTOR ASSEMBLY | 1 | |
| 2 | 695-85560-A0-00 | BASE ASSEMBLY | 1 | |
| 3 | 695-85561-70-00 | .BASE, MAGNETO | 1 | |
| 4 | 695-85207-00-0 | .UNAVAILABLE IN PRICE BOOK | 1 | |
| 5 | 695-85580-70-00 | .COIL, PULSER | 1 | |
| 6 | 90159-05039-00 | .SCREW, W/WASHER | 2 | |
| 7 | 90159-05038-00 | .SCREW, WITH WASHER | 1 | |
| 8 | 695-81303-A0-00 | .LIGHTING COIL ASSEMBLY | 1 | |
| 9 | 90159-05040-00 | ..SCREW, WITH WASHER | 2 | |
| 10 | 90159-04035-00 | .SCREW, WITH WASHER | 1 | |
| 11 | 648-81362-00-00 | COVER, HOLE | 1 | |
| 12 | 97013-06012-00 | BOLT | 3 | |
| 13 | 92990-06600-00 | WASHER, PLATE | 3 | |
| 14 | 90280-16053-00 | KEY, WOODRUFF | 1 | |
| 15 | 90179-12M04-00 | NUT | 1 | |
| 16 | 90201-13M42-00 | WASHER, PLATE | 1 | |
| 17 | 695-41615-00-00 | STOPPER, MAGNETO BASE | 1 | |
| 18 | 695-44194-00-00 | CAP | 1 | |
| 19 | 97013-06012-00 | BOLT | 2 | |
| 20 | 92990-06600-00 | WASHER, PLATE | 2 | |
| 21 | 90461-06M01-00 | CLAMP | 1 | |
| 22 | 97313-06010-00 | BOLT, HEXAGON | 1 | |
| 23 | 695-41213-00-94 | CAM, ACCEL. | 1 | |
| 24 | 97395-05012-00 | .BOLT | 2 | |
| 25 | 92990-05600-00 | WASHER, PLATE | 2 | |

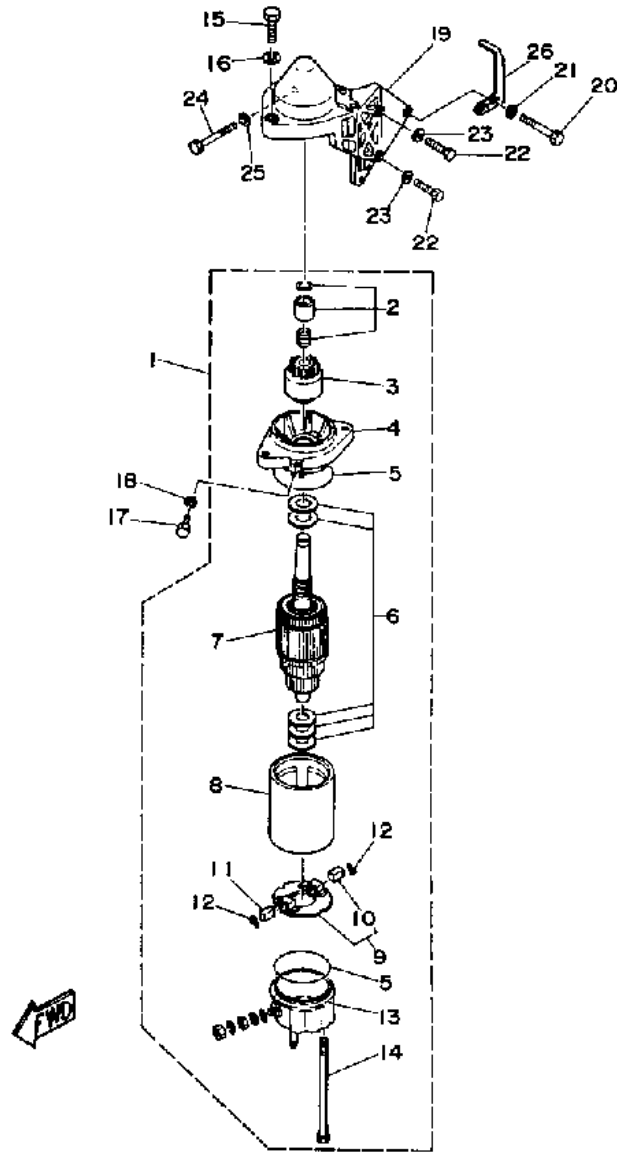
Part Notes

CV25ELD 1990 / MAGNETO

| PART NUMBER | | NOTE TEXT |
|----------------|---|--|
| 92990-06600-00 |  | OEM: This part number is among the Top 100 Most Popular Marine Maintenance Parts as of March 2014. |
| 92990-06600-00 |  | OEM: This part number is among the Top 100 Most Popular Marine Maintenance Parts as of March 2014. |

©2014 Yamaha Motor Corporation, U.S.A. All rights reserved.

CV25ELD 1990 / STARTING MOTOR



©2014 Yamaha Motor Corporation, U.S.A. All rights reserved.




Part List

CV25ELD 1990 / STARTING MOTOR

| REF - NO | PART NUMBER | PART NAME | QUANTITY | REMARKS |
|----------------|-----------------|-------------------------------|----------|---------|
| 1 | 689-81800-13-00 | STARTING MOTOR ASSEMBLY | 1 | |
| 2 | 689-81857-11-00 | .PINION STOPPER SET | 1 | |
| 3 | 689-81807-12-00 | .GEAR ASSY, STARTING MOTOR | 1 | |
| 4 | 689-81830-11-00 | .FRONT BRACKET ASSEMBLY | 1 | |
| 5 | 689-81844-11-00 | .GASKET | 2 | |
| 6 | 689-81809-11-00 | .WASHER KIT | 1 | |
| 7 | 689-81850-12-00 | .ARMATURE ASSY | 1 | |
| 8 | 689-81810-11-00 | .STATOR ASSY | 1 | |
| 9 | 689-81840-11-00 | .BRUSH HOLDER ASSY | 1 | |
| 10 | 689-81812-11-00 | .BRUSH 2 | 1 | |
| 11 | 689-81811-11-00 | .BRUSH 1 | 1 | |
| 12 | 689-81813-10-00 | .SPRING, BRUSH | 2 | |
| 13 | 689-81820-11-00 | .REAR BRACKET ASSY | 1 | |
| 14 | 689-81826-10-00 | .BOLT | 2 | |
| 15 | 97313-08030-00 | BOLT | 2 | |
| 16 | 92990-08600-00 | ..WASHER, PLATE | 2 | |
| 17 | 97313-08012-00 | BOLT, HEXAGON | 1 | |
| 18 | 92990-08600-00 | ..WASHER, PLATE | 1 | |
| 19 | 695-15772-40-94 | STAY 2 | 1 | |
| 20 | 97313-06045-00 | BOLT, HEXAGON | 1 | |
| 21 | 92990-06600-00 | WASHER, PLATE | 1 | |
| 22 | 97313-06030-00 | BOLT | 2 | |
| 23 | 92990-06600-00 | WASHER, PLATE | 2 | |
| 24 | 97313-06050-00 | BOLT | 1 | |
| 25 | 92990-06600-00 | WASHER, PLATE | 1 | |
| 26 | 689-81332-01-00 | PLATE, TIMING | 1 | |

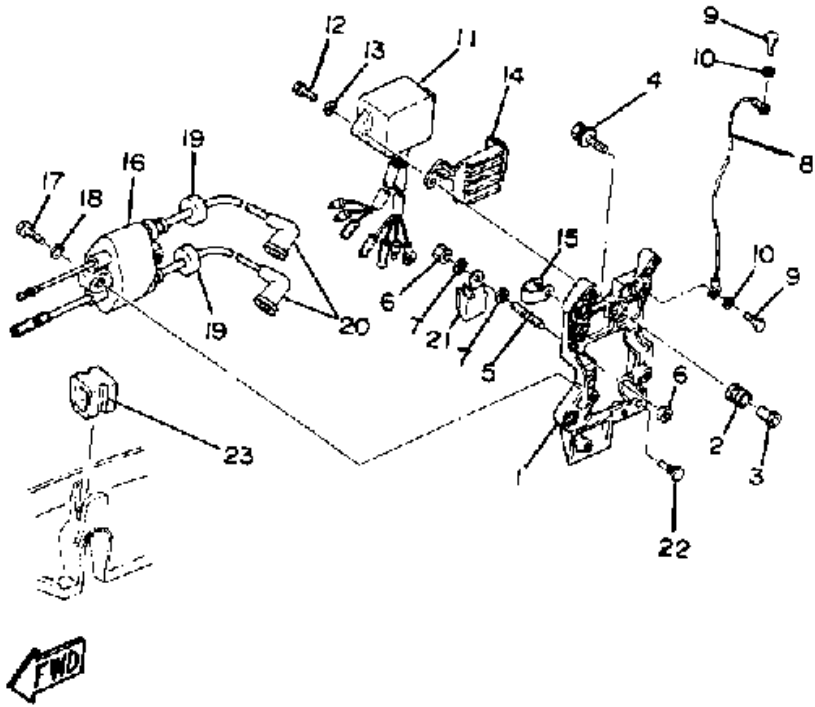
Part Notes

CV25ELD 1990 / STARTING MOTOR

| PART NUMBER | | NOTE TEXT |
|----------------|---|--|
| 92990-06600-00 |  | OEM: This part number is among the Top 100 Most Popular Marine Maintenance Parts as of March 2014. |
| 92990-06600-00 |  | OEM: This part number is among the Top 100 Most Popular Marine Maintenance Parts as of March 2014. |
| 92990-06600-00 |  | OEM: This part number is among the Top 100 Most Popular Marine Maintenance Parts as of March 2014. |

©2014 Yamaha Motor Corporation, U.S.A. All rights reserved.

CV25ELD 1990 / ELECTRICAL 1



©2014 Yamaha Motor Corporation, U.S.A. All rights reserved.



Part List

CV25ELD 1990 / ELECTRICAL 1

| REF - NO | PART NUMBER | PART NAME | QUANTITY | REMARKS |
|----------------|-----------------|------------------------|----------|---------|
| 1 | 695-85542-00-94 | BRACKET | 1 | |
| 2 | 6A0-82317-00-00 | DAMPER, IGNITION COIL | 3 | |
| 3 | 624-42542-00-00 | PIPE | 3 | |
| 4 | 90119-06M63-00 | BOLT, WITH WASHER | 3 | |
| 5 | 90116-06M07-00 | BOLT, STUD | 1 | |
| 6 | 95380-06600-00 | NUT, HEXAGON | 2 | |
| 7 | 92995-06100-00 | WASHER, SPRING | 2 | |
| 8 | 689-82519-00-00 | WIRE, EARTH LEAD | 1 | |
| 9 | 97013-06012-00 | BOLT | 2 | |
| 10 | 92995-06100-00 | WASHER, SPRING | 2 | |
| 11 | 695-85540-11-00 | C.D.I. UNIT ASSEMBLY | 1 | |
| 12 | 97313-06025-00 | BOLT | 2 | |
| 13 | 92990-06600-00 | WASHER, PLATE | 2 | |
| 14 | 689-85548-01-00 | HOLDER | 1 | |
| 15 | 90464-12M00-00 | CLAMP | 1 | |
| 16 | 6E7-85570-19-00 | IGNITION COIL ASSEMBLY | 1 | |
| 17 | 97313-06025-00 | BOLT | 2 | |
| 18 | 92990-06600-00 | WASHER, PLATE | 2 | |
| 19 | 90480-25161-00 | GROMMET | 2 | |
| 20 | 663-82370-01-00 | PLUG CAP ASSY | 2 | |
| 21 | 90465-08M13-00 | CLAMP | 1 | |
| 22 | 689-85547-00-00 | DAMPER | 1 | |
| 23 | 90480-17M08-00 | GROMMET | 1 | |

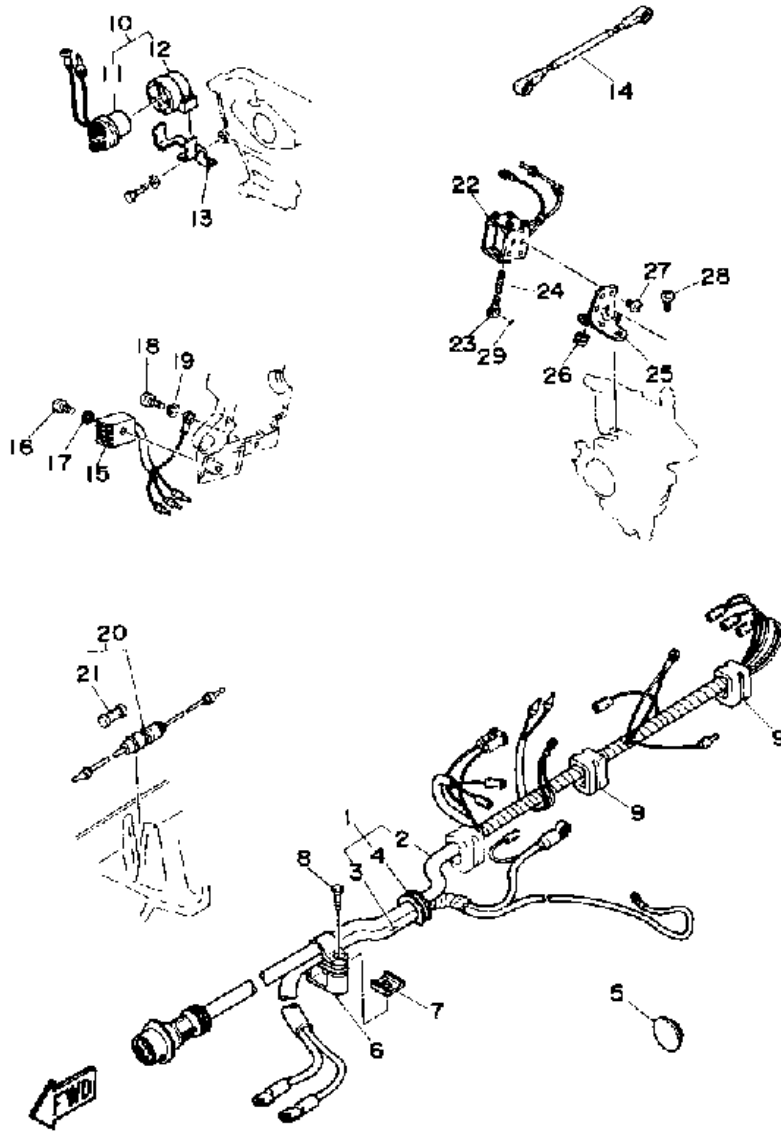
Part Notes

CV25ELD 1990 / ELECTRICAL 1

| PART NUMBER | NOTE TEXT |
|--|--|
| 92990-06600-00  | OEM: This part number is among the Top 100 Most Popular Marine Maintenance Parts as of March 2014. |
| 92990-06600-00  | OEM: This part number is among the Top 100 Most Popular Marine Maintenance Parts as of March 2014. |

©2014 Yamaha Motor Corporation, U.S.A. All rights reserved.

CV25ELD 1990 / ELECTRICAL 2 (C25E)



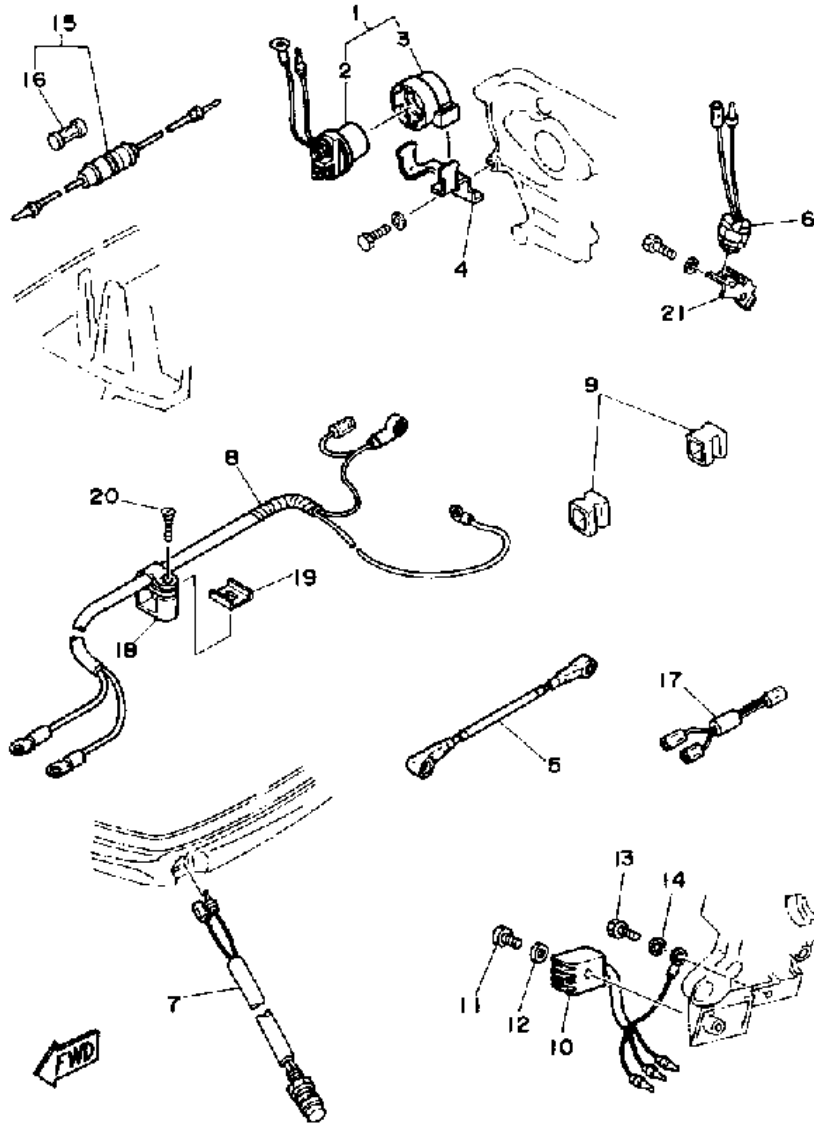
©2014 Yamaha Motor Corporation, U.S.A. All rights reserved.

Part List

CV25ELD 1990 / ELECTRICAL 2 (C25E)

| REF - NO | PART NUMBER | PART NAME | QUANTITY | REMARKS |
|----------------|-----------------|-------------------------|----------|---------|
| 1 | 695-82580-14-00 | WIRE HARNESS ASSEMBLY 2 | 1 | |
| 2 | 689-82590-11-00 | .WIRE HARNESS ASSEMBLY | 1 | |
| 3 | 695-82105-12-00 | .BATTERY CABLE | 1 | |
| 4 | 689-42724-50-00 | .GROMMET | 1 | |
| 5 | 90480-17165-00 | GROMMET | 1 | |
| 6 | 689-82594-10-00 | CLAMP | 1 | |
| 7 | 682-42525-00-00 | PLATE, FRICTION 1 | 1 | |
| 8 | 90161-06M03-00 | SCREW, TAPPING | 1 | |
| 9 | 90480-17M08-00 | GROMMET | 2 | |
| 10 | 6G1-81940-00-00 | STARTER RELAY ASSEMBLY | 1 | |
| 11 | 6G1-81941-10-00 | .STARTER RELAY ASSY | 1 | |
| 12 | 6G1-81952-00-00 | .HOLDER, RELAY | 1 | |
| 13 | 695-81945-00-00 | PLATE, SWITCH FITTING | 1 | |
| 14 | 695-82531-02-00 | WIRE, LEAD | 1 | |
| 15 | 664-81970-61-00 | RECTIFIER ASSEMBLY | 1 | |
| 16 | 98503-05025-00 | SCREW, PAN HEAD | 1 | |
| 17 | 92990-05600-00 | WASHER, PLATE | 1 | |
| 18 | 97013-06012-00 | BOLT | 1 | |
| 19 | 92995-06100-00 | WASHER, SPRING | 1 | |
| 20 | 682-82150-10-00 | FUSE HOLDER ASSEMBLY | 1 | |
| 21 | 682-82151-00-00 | .FUSE (12V-20A) | 1 | |
| 22 | 689-86111-01-00 | COIL, SOLENOID | 1 | |
| 23 | 682-86117-00-00 | HOOK, WIRE PULL | 1 | |
| 24 | 682-86116-00-00 | WIRE, PULL | 1 | |
| 25 | 689-86112-04-00 | STAY, SOLENOID | 1 | |
| 26 | 90480-10155-00 | GROMMET | 1 | |
| 27 | 98580-04006-00 | .SCREW, PAN HEAD | 4 | |
| 28 | 98580-05012-00 | .SCREW, PAN HEAD | 2 | |
| 29 | 93210-03261-00 | O-RING | 1 | |

CV25ELD 1990 / ELECTRICAL 3 (C25EM)



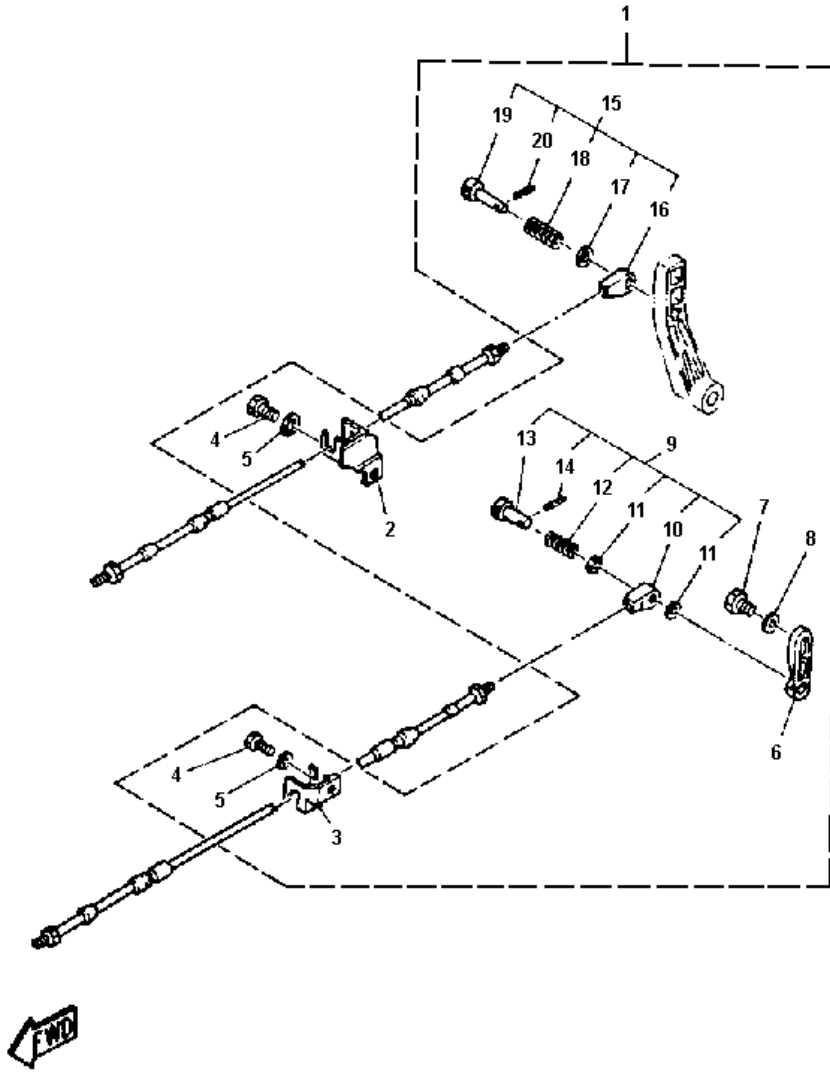
©2014 Yamaha Motor Corporation, U.S.A. All rights reserved.

Part List

CV25ELD 1990 / ELECTRICAL 3 (C25EM)

| REF - NO | PART NUMBER | PART NAME | QUANTITY | REMARKS |
|----------------|-----------------|-----------------------------|----------|---------|
| 1 | 6G1-81940-00-00 | STARTER RELAY ASSEMBLY | 1 | |
| 2 | 6G1-81941-10-00 | .STARTER RELAY ASSY | 1 | |
| 3 | 6G1-81952-00-00 | .HOLDER, RELAY | 1 | |
| 4 | 695-81945-00-00 | PLATE, SWITCH FITTING | 1 | |
| 5 | 695-82531-02-00 | WIRE, LEAD | 1 | |
| 6 | 689-82540-01-00 | NEUTRAL SWITCH ASSEMBLY | 1 | |
| 7 | 689-81870-00-00 | STARTING SWITCH ASSY | 1 | |
| 8 | 695-82105-12-00 | BATTERY CABLE | 1 | |
| 9 | 90480-17M08-00 | GROMMET | 2 | |
| 10 | 664-81970-61-00 | RECTIFIER ASSEMBLY | 1 | |
| 11 | 98503-05025-00 | SCREW, PAN HEAD | 1 | |
| 12 | 92990-05600-00 | WASHER, PLATE | 1 | |
| 13 | 97013-06012-00 | BOLT | 1 | |
| 14 | 92995-06100-00 | WASHER, SPRING | 1 | |
| 15 | 682-82150-10-00 | FUSE HOLDER ASSEMBLY | 1 | |
| 16 | 682-82151-00-00 | .FUSE (12V-20A) | 1 | |
| 17 | 694-82509-00-00 | WIRE, SUB-LEAD | 1 | |
| 18 | 689-82594-00-00 | CLAMP | 1 | |
| 19 | 682-42525-00-00 | PLATE, FRICTION 1 | 1 | |
| 20 | 90161-06M03-00 | SCREW, TAPPING | 1 | |
| 21 | 656-15774-41-00 | STAY 4 (FOR NEUTRAL SWITCH) | 1 | |

CV25ELD 1990 / REMOTE CONTROL ATTACHMENT



©2014 Yamaha Motor Corporation, U.S.A. All rights reserved.



Part List

CV25ELD 1990 / REMOTE CONTROL ATTACHMENT

| REF - NO | PART NUMBER | PART NAME | QUANTITY | REMARKS |
|----------------|-----------------|---------------------------------|----------|---------|
| 1 | 689-48501-40-00 | ATTACHMENT ASSY | 1 | |
| 2 | 689-48531-50-00 | .BRACKET, REMOTE CONTROL 1 | 1 | |
| 3 | 689-48532-50-00 | .BRACKET, REMOTE CONTROL 2 | 1 | |
| 4 | 97395-06016-00 | .BOLT, HEX | 2 | |
| 5 | 92990-06600-00 | .WASHER, PLATE | 2 | |
| 6 | 648-48534-50-EJ | .THROTTLE LEVER, CON CONTROL | 1 | |
| 7 | 97395-06012-00 | .BOLT | 1 | |
| 8 | 92990-06600-00 | .WASHER, PLATE | 1 | |
| 9 | 648-48340-50-00 | .CABLE END ASSY | 1 | |
| 10 | 617-48346-90-00 | ..CABLE END, REMOTE CONTROL | 1 | |
| 11 | 92990-08200-00 | ..WASHER, PLAIN | 2 | |
| 12 | 90501-10264-00 | ..SPRING, COMPRESSION | 1 | |
| 13 | 617-48361-91-00 | ..HOOK, CABLE | 1 | |
| 14 | 91690-30012-00 | ..PIN, SPRING | 1 | |
| 15 | 648-48330-50-00 | .CABLE END ASSY | 1 | |
| 16 | 648-48346-50-00 | ..CABLE END, REMOTE CONTROL | 1 | |
| 17 | 92990-08200-00 | ..WASHER, PLAIN | 1 | |
| 18 | 90501-10071-00 | ..SPRING, COMPRESSION | 1 | |
| 19 | 617-48331-91-00 | ..HOOK, CABLE | 1 | |
| 20 | 91690-30012-00 | ..PIN, SPRING | 1 | |

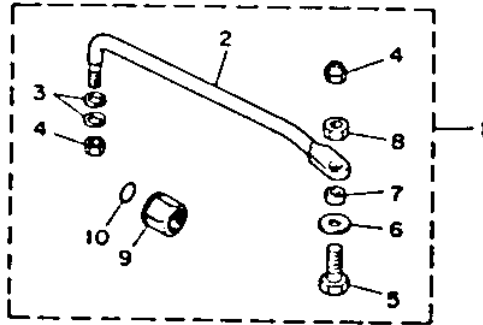
Part Notes

CV25ELD 1990 / REMOTE CONTROL ATTACHMENT

| PART NUMBER | | NOTE TEXT |
|----------------|---|--|
| 92990-06600-00 |  | OEM: This part number is among the Top 100 Most Popular Marine Maintenance Parts as of March 2014. |
| 92990-06600-00 |  | OEM: This part number is among the Top 100 Most Popular Marine Maintenance Parts as of March 2014. |

©2014 Yamaha Motor Corporation, U.S.A. All rights reserved.

CV25ELD 1990 / STEERING GUIDE ATTACHMENT

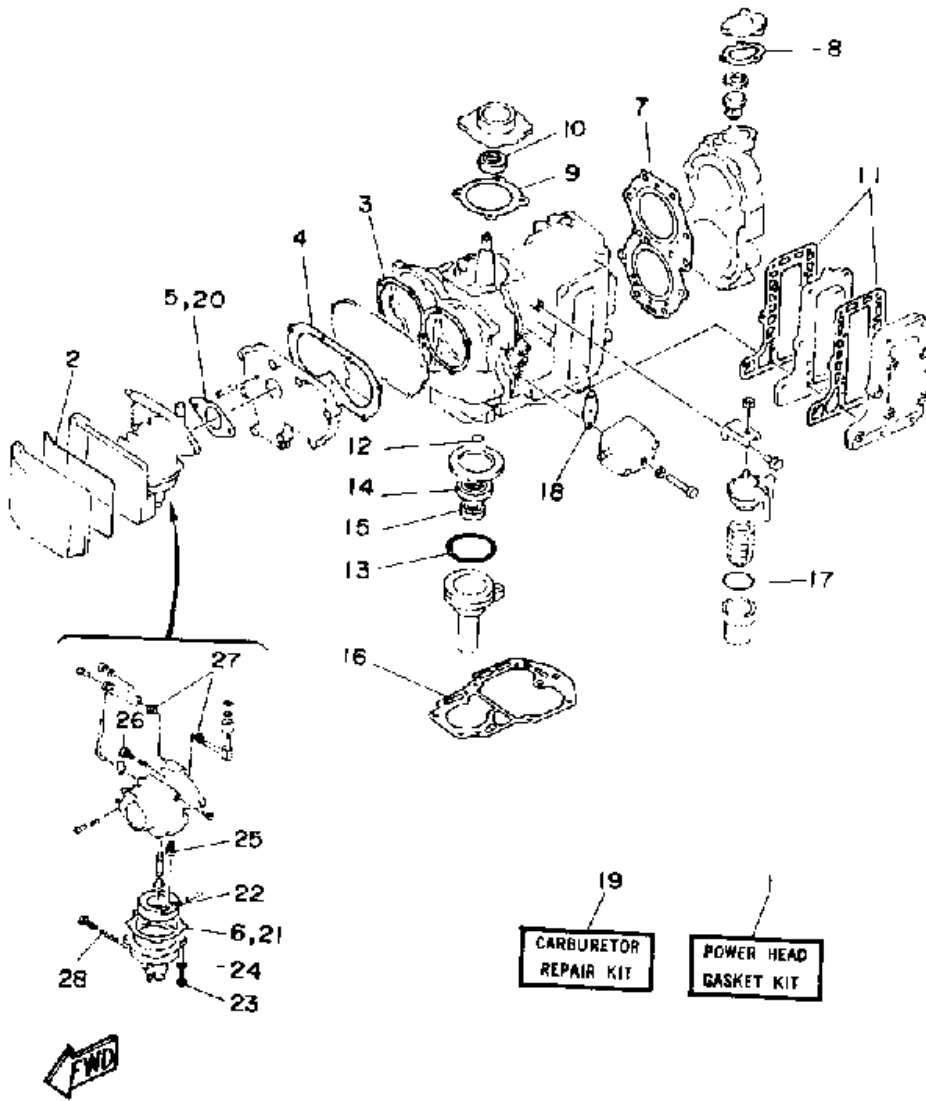


Part List

CV25ELD 1990 / STEERING GUIDE ATTACHMENT

| REF - NO | PART NUMBER | PART NAME | QUANTITY | REMARKS |
|----------------|-----------------|----------------------------------|----------|---------|
| 1 | 689-61350-02-00 | STEERING GUIDE ATTACHMENT KIT | 1 | |
| 2 | 689-61351-01-00 | .ROD, STEERING LINK | 1 | |
| 3 | 90201-10M20-00 | .WASHER, PLATE | 2 | |
| 4 | 90185-09M01-00 | .NUT, SELF-LOCKING | 2 | |
| 5 | 6E5-61355-00-00 | .BOLT | 1 | |
| 6 | 90201-10M63-00 | .WASHER, PLATE | 1 | |
| 7 | 90387-10M42-00 | .COLLAR | 1 | |
| 8 | 90170-09M03-00 | .NUT | 1 | |
| 9 | 6E5-43145-00-00 | .CAP, CLAMP BRACKET | 1 | |
| 10 | 93210-16275-00 | .O-RING | 1 | |

CV25ELD 1990 / REPAIR KIT 1



©2014 Yamaha Motor Corporation, U.S.A. All rights reserved.


Part List

CV25ELD 1990 / REPAIR KIT 1

| REF - NO | PART NUMBER | PART NAME | QUANTITY | REMARKS |
|----------|-----------------|--------------------------------|----------|---------|
| 1 | 695-W0001-02-00 | GASKET KIT | 1 | |
| 2 | 695-14476-00-00 | .SEAL | 1 | |
| 3 | 648-13621-00-00 | .GASKET, VALVE SEAT | 1 | |
| 4 | 648-13645-00-00 | .GASKET, MANIFOLD 1 | 1 | |
| 5 | 648-14198-00-00 | .GASKET | 1 | |
| 6 | 648-14384-01-00 | .GASKET, FLOAT CHAMBER | 1 | |
| 7 | 695-11181-A0-00 | .GASKET, CYLINDER HEAD 1 | 1 | |
| 8 | 655-12414-00-00 | .GASKET, COVER | 1 | |
| 9 | 664-15369-00-00 | .GASKET, O/SL HSNG | 1 | |
| 10 | 93102-23096-00 | .OIL SEAL | 1 | |
| 11 | 664-41114-A0-00 | .GASKET, EXHAUST OUTER COVER | 2 | |
| 12 | 93210-16275-00 | .O-RING | 1 | |
| 13 | 93210-57M09-00 | .O-RING | 1 | |
| 14 | 93101-25M35-00 | .OIL SEAL | 1 | |
| 15 | 93101-16M36-00 | .OIL SEAL | 1 | |
| 16 | 6K8-45113-A0-00 | .GASKET, UPPER CASIN | 1 | |
| 17 | 93210-37M25-00 | .O-RING | 1 | |
| 18 | 650-24431-A0-00 | .GASKET, FUEL PUMP 1 | 1 | |
| 19 | 689-W0093-02-00 | CARBURETOR REPAIR KIT | 1 | |
| 20 | 648-14198-00-00 | .GASKET | 1 | |
| 21 | 648-14384-01-00 | .GASKET, FLOAT CHAMBER | 1 | |
| 22 | 648-14385-00-00 | .FLOAT | 1 | |
| 23 | 6K8-14125-00-00 | .SCREW, PAN HEAD (98580-04012) | 1 | |
| 24 | 92990-04100-00 | .WASHER, SPRING | 1 | |
| 25 | 61K-14390-00-00 | .NEEDLE VALVE ASSEMBLY | 1 | |
| 26 | 647-14323-00-00 | .SCREW, AIR ADJUSTING | 1 | |
| 27 | 90386-05002-00 | .BUSH | 2 | |
| 28 | 646-14397-00-00 | .O-RING | 1 | |

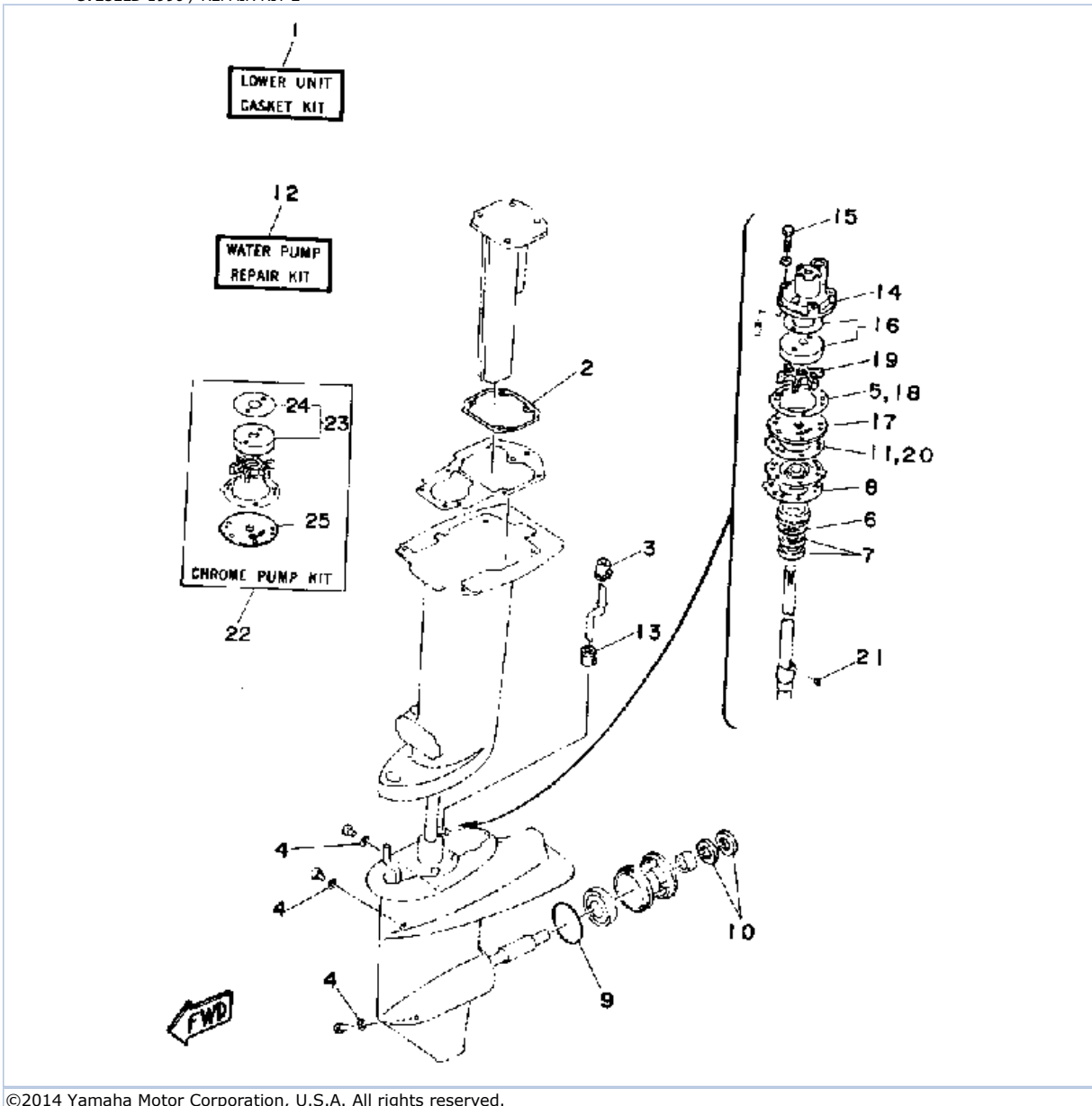
Part Notes

CV25ELD 1990 / REPAIR KIT 1

| PART NUMBER | NOTE TEXT |
|---|--|
| 650-24431-A0-00  | OEM: This part number is among the Top 100 Most Popular Marine Maintenance Parts as of March 2014. |

©2014 Yamaha Motor Corporation, U.S.A. All rights reserved.

CV25ELD 1990 / REPAIR KIT 2



©2014 Yamaha Motor Corporation, U.S.A. All rights reserved.


Part List

CV25ELD 1990 / REPAIR KIT 2

| REF - NO | PART NUMBER | PART NAME | QUANTITY | REMARKS |
|----------|-----------------|--------------------------|----------|---------|
| 1 | 689-W0001-22-00 | LOWER UNIT GASKET KIT | 1 | |
| 2 | 664-41134-00-00 | .GASKET, EXHMANI2 | 1 | |
| 3 | 689-44366-00-00 | .DAMPER, WATER SEAL | 1 | |
| 4 | 90430-08020-00 | .GASKET | 3 | |
| 5 | 689-44324-A0-00 | .GASKET, CARTRIDGE | 1 | |
| 6 | 93210-40M10-00 | .O-RING | 1 | |
| 7 | 93101-22067-00 | .OIL SEAL | 2 | |
| 8 | 689-44315-01-00 | .GASKET, WATER PUMP | 1 | |
| 9 | 93210-60MA3-00 | .O-RING | 1 | |
| 10 | 93101-20M07-00 | .OIL SEAL | 2 | |
| 11 | 689-44316-00-00 | .GASKET, WATER PUMP PUMP | 1 | |
| 12 | 689-W0078-06-00 | WATER PUMP REPAIR KIT | 1 | |
| 13 | 626-44365-01-00 | .DAMPER, WATER SEAL | 1 | |
| 14 | 689-44311-03-00 | .HOUSING, WATER PUMP | 1 | |
| 15 | 90101-06M56-00 | .BOLT | 3 | |
| 16 | 689-W4432-02-00 | .INSERT CARTRIDGE COMP | 1 | |
| 17 | 689-44323-03-00 | .OUTER PLATE, CARTRIDGE | 1 | |
| 18 | 689-44324-A0-00 | .GASKET, CARTRIDGE | 1 | |
| 19 | 689-44352-02-00 | .IMPELLER | 1 | |
| 20 | 689-44316-00-00 | .GASKET, WATER PUMP PUMP | 1 | |
| 21 | 664-44338-00-00 | .KEY, WOODRUFF | 1 | |
| 22 | 689-W0078-3A-00 | CHROME PUMP KIT | 1 | |
| 23 | 689-W4432-61-00 | .INSERT CARTRIDGE COMP | 1 | |
| 24 | 689-44367-01-00 | ..DAMPER, WATER SEAL | 1 | |
| 25 | 689-44323-43-00 | .OUTER PLATE, CARTRIDGE | 1 | |

Part Notes

CV25ELD 1990 / REPAIR KIT 2

| PART NUMBER | NOTE TEXT |
|--|--|
| 90430-08020-00  | OEM: This part number is among the Top 100 Most Popular Marine Maintenance Parts as of March 2014. |

©2014 Yamaha Motor Corporation, U.S.A. All rights reserved.

©2014 Yamaha Motor Corporation, U.S.A. All rights reserved.