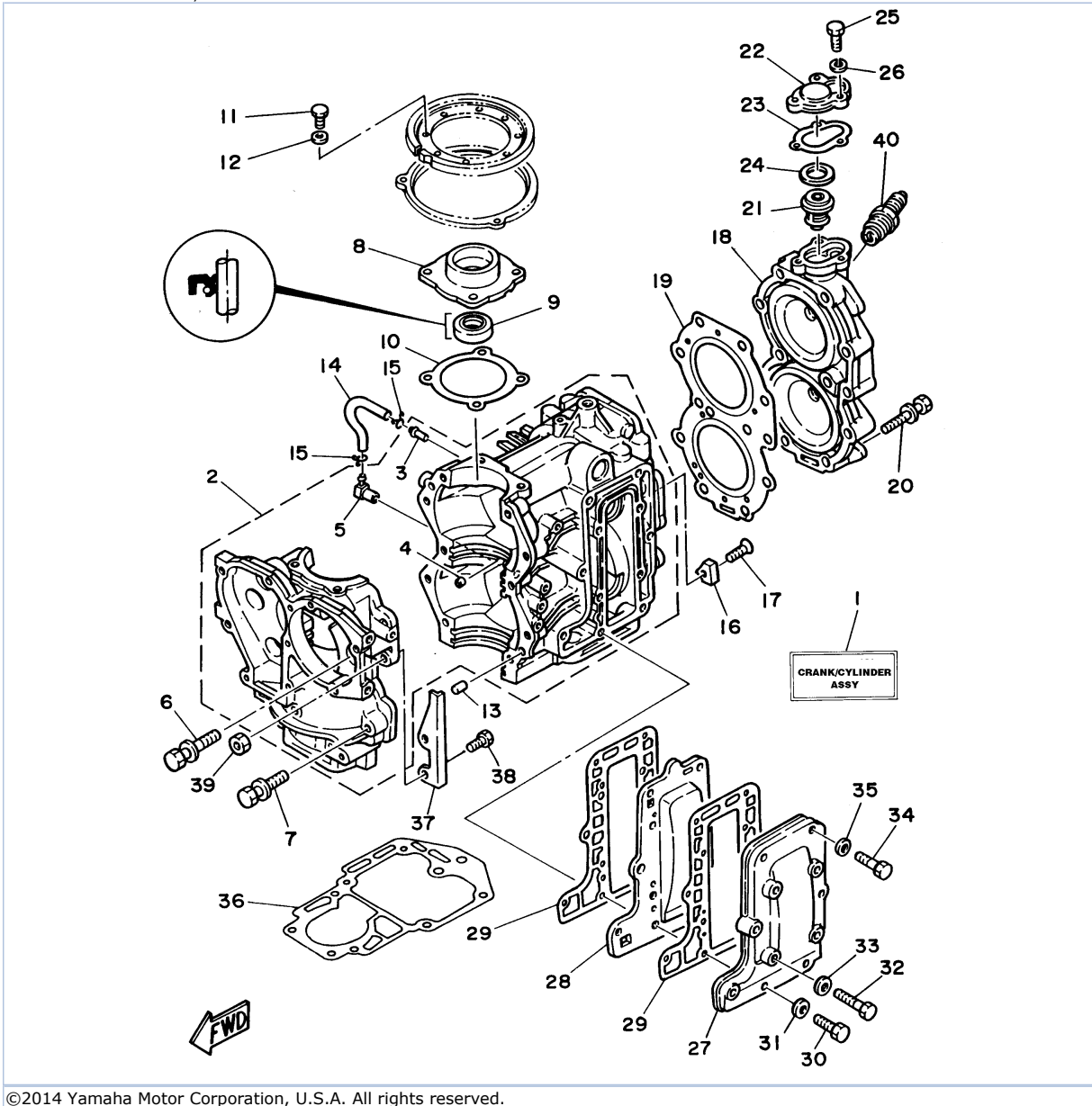


C25MSHU 1996 / CYLINDER CRANKCASE



©2014 Yamaha Motor Corporation, U.S.A. All rights reserved.





Part List

C25MSHU 1996 / CYLINDER CRANKCASE

REF - NO	PART NUMBER	PART NAME	QUANTITY	REMARKS
1	695-W0090-84-4D	CRANK CYLINDER ASSEMBLY (REF. #2~39; CRANKSHAFT-PISTO)	1	
2	695-15100-02-94	CRANKCASE ASSEMBLY	1	
3	624-14485-00-00	.PIPE, JOINT	1	
4	624-11379-00-00	.VALVE, CHECK	1	
5	650-11370-00-00	.CHECK VALVE ASSY	1	
6	90119-08M18-00	BOLT, WITH WASHER	2	
7	90119-08M20-00	BOLT, WITH WASHER	8	
8	664-15359-01-94	HOUSING, OIL SEAL	1	
9	93102-23096-00	OIL SEAL	1	
10	664-15369-A0-00	GASKET, OIL SEAL HOUSING	1	
11	97095-06020-00	BOLT	4	
12	92995-06100-00	WASHER, SPRING	4	
13	93606-12019-00	.PIN, DOWEL	2	
14	90445-07260-00	HOSE (L276)	1	
15	90467-06016-00	CLIP	2	
16	689-11325-00-00	ANODE	1	
17	98780-06020-00	SCREW, FLAT HEAD	1	
18	695-11111-01-94	HEAD, CYLINDER 1	1	
19	695-11181-A0-00	GASKET, CYLINDER HEAD 1	1	
20	90119-08M18-00	BOLT, WITH WASHER	11	
21	6F5-12411-02-00	THERMOSTAT	1	
22	655-12413-01-9M	COVER, THERMOSTAT	1	
23	655-12414-A1-00	GASKET, COVER	1	
24	90201-21567-00	WASHER, PLATE	1	
25	97095-06020-00	BOLT	3	
26	92990-06600-00	WASHER, PLATE	3	
27	664-41113-00-94	OUTER COVER, EXHAUST	1	
28	664-41111-00-00	INNER COVER, EXHAUST	1	
29	664-41114-A0-00	GASKET, EXHAUST OUTER COVER	2	
30	97095-06025-00	BOLT	1	
31	92990-06600-00	WASHER, PLATE	1	
32	97095-06030-00	BOLT	6	
33	92990-06600-00	WASHER, PLATE	6	
34	97014-06035-00	BOLT, HEXAGON	4	
35	92990-06600-00	WASHER, PLATE	4	
36	689-45113-A1-00	GASKET, UPPER CASING	1	
37	695-41616-00-00	STOPPER, MAGNETO BASE	1	
38	97095-06020-00	BOLT	2	
39	95380-06600-00	NUT, HEXAGON	2	
40	NGK-B7HS0-00-00	NGK SPARK PLUG B7HS	2	

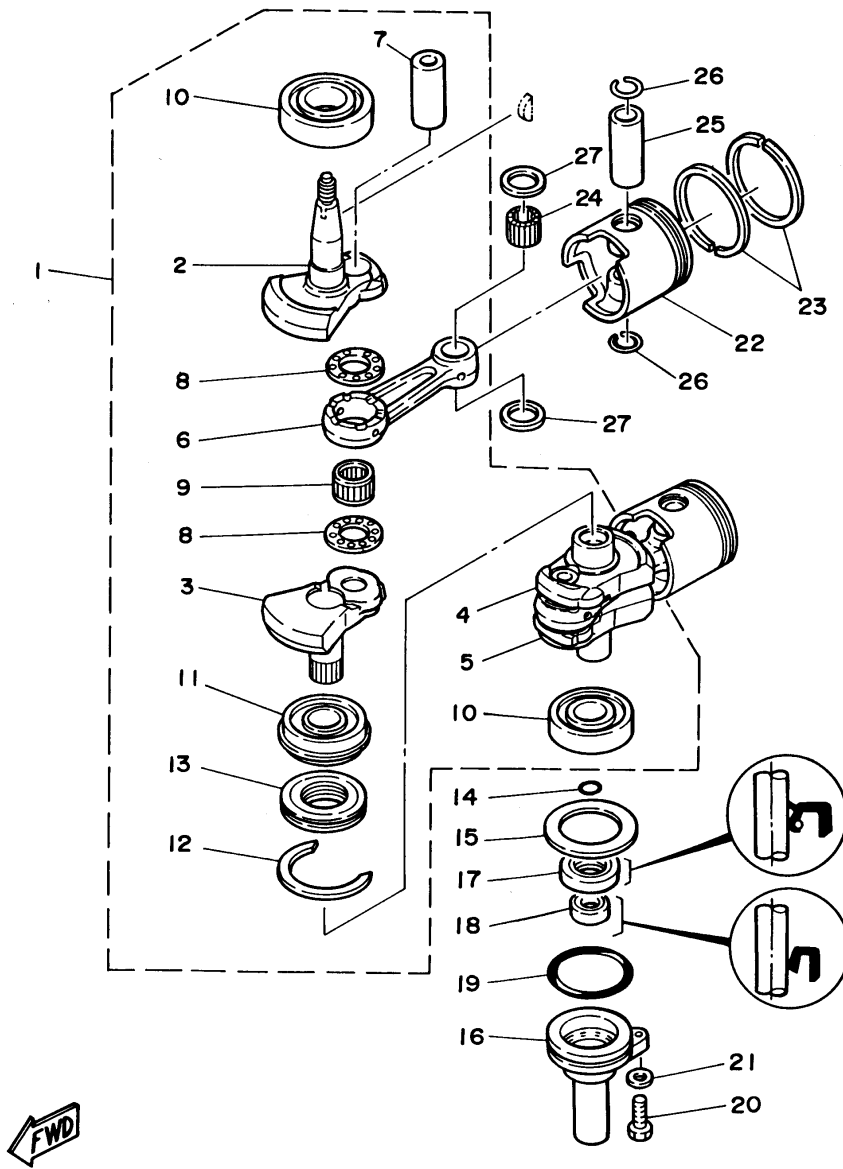
Part Notes

C25MSHU 1996 / CYLINDER CRANKCASE

PART NUMBER		NOTE TEXT
92990-06600-00		OEM: This part number is among the Top 100 Most Popular Marine Maintenance Parts as of March 2014.
92990-06600-00		OEM: This part number is among the Top 100 Most Popular Marine Maintenance Parts as of March 2014.
92990-06600-00		OEM: This part number is among the Top 100 Most Popular Marine Maintenance Parts as of March 2014.
92990-06600-00		OEM: This part number is among the Top 100 Most Popular Marine Maintenance Parts as of March 2014.

©2014 Yamaha Motor Corporation, U.S.A. All rights reserved.

C25MSHU 1996 / CRANKSHAFT PISTON



©2014 Yamaha Motor Corporation, U.S.A. All rights reserved.



Part List

C25MSHU 1996 / CRANKSHAFT PISTON

REF - NO	PART NUMBER	PART NAME	QUANTITY	REMARKS
1	695-11400-00-00	CRANKSHAFT ASSEMBLY	1	
2	695-11412-00-00	.CRANK 1	1	
3	6G0-11422-00-00	.CRANK 2	1	
4	6G0-11432-00-00	.CRANK 3	1	
5	695-11442-00-00	.CRANK 4	1	
6	648-11651-04-00	.ROD, CONNECTING	2	
7	648-11681-00-00	.PIN, CRANK 1	2	
8	90209-22248-00	.WASHER, SPECIAL SHAPE	4	
9	93310-522W0-00	.BEARING, CYLINDRICAL	2	
10	93306-305U3-00	.BEARING	2	
11	93390-00009-00	.BEARING	1	
12	93440-62057-00	.CIRCLIP, OUTER	1	
13	656-11515-00-00	.SEAL, LABYRINTH 1	1	
14	93210-16275-00	.O-RING	1	
15	90201-50306-00	WASHER, PLATE	1	
16	689-15396-01-5B	HOUSING, OIL SEAL	1	
17	93101-25M35-00	OIL SEAL	1	
18	93101-16M36-00	OIL SEAL	1	
19	93210-57M09-00	.O-RING	1	
20	97395-06022-00	BOLT	1	
21	92990-06600-00	WASHER, PLATE	1	
22	664-11631-80-96	PISTON (STD)	2	
22	664-11636-80-00	PISTON (0.50MM O/S)	2	AP
23	664-11610-50-00	PISTON RING SET (0.50MM O/S)	2	AP
23	664-11610-80-00	PISTON RING SET (STD)	2	
24	93602-20M02-00	PIN, DOWEL	62	
25	648-11633-00-00	PIN, PISTON	2	
26	93450-20026-00	CIRCLIP	4	
27	90201-18522-00	WASHER, PLATE	4	

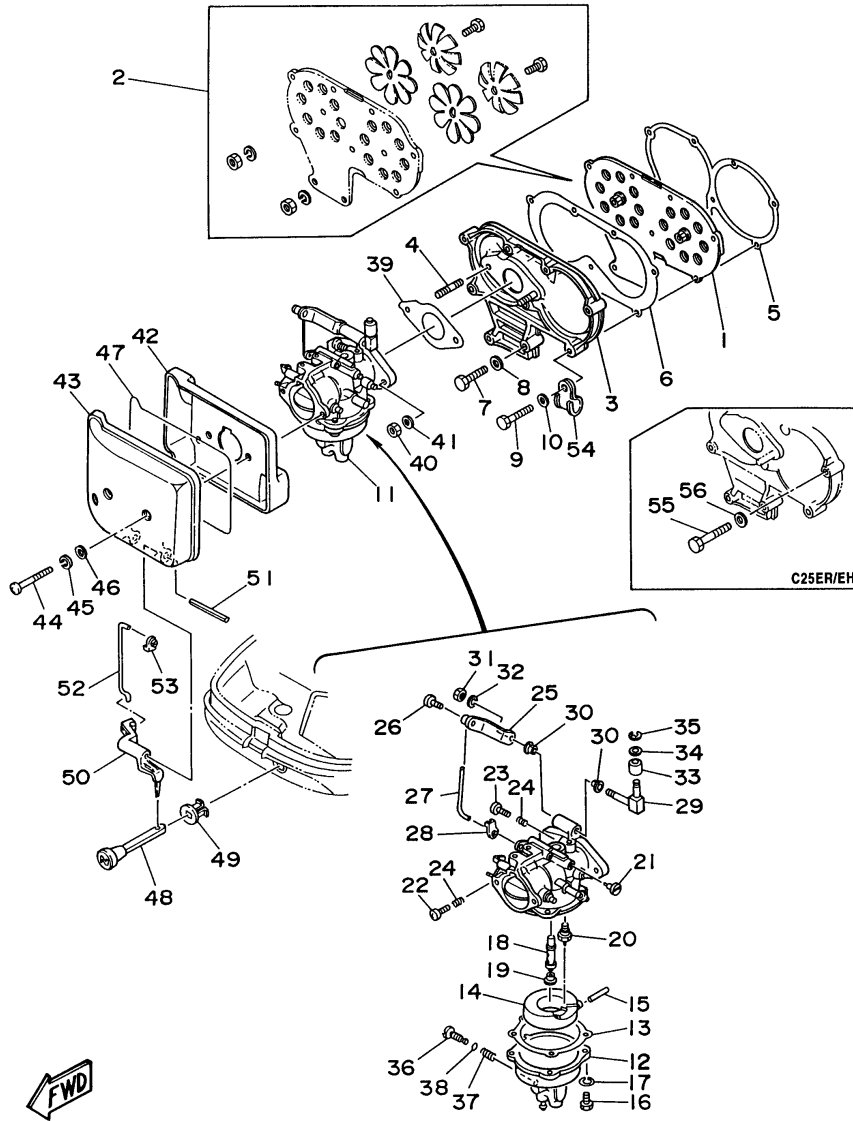
Part Notes

C25MSHU 1996 / CRANKSHAFT PISTON

PART NUMBER		NOTE TEXT
92990-06600-00		OEM: This part number is among the Top 100 Most Popular Marine Maintenance Parts as of March 2014.
93602-20M02-00		OEM: This part number is among the Top 100 Most Popular Marine Maintenance Parts as of March 2014.

©2014 Yamaha Motor Corporation, U.S.A. All rights reserved.

C25MSHU 1996 / INTAKE



©2014 Yamaha Motor Corporation, U.S.A. All rights reserved.





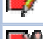
Part List

C25MSHU 1996 / INTAKE

REF - NO	PART NUMBER	PART NAME	QUANTITY	REMARKS
1	689-13610-01-00	REED VALVE ASSEMBLY	1	
2	689-W0004-00-00	.REED SET	1	
3	648-13641-01-94	MANIFOLD 1	1	
4	90116-06M30-00	BOLT, STUD	2	
5	648-13621-A1-00	GASKET, VALVE SEAT	1	
6	648-13645-A0-00	GASKET, MANIFOLD 1	1	
7	97095-06025-00	BOLT	2	
8	92990-06600-00	WASHER, PLATE	2	
9	97014-06035-00	BOLT, HEXAGON	7	UR C25MH
9	97014-06035-00	BOLT, HEXAGON	6	UR C25ER/EH
10	92990-06600-00	WASHER, PLATE	7	UR C25MH
10	92990-06600-00	WASHER, PLATE	6	UR C25ER/EH
11	695-14301-02-00	CARBURETOR ASSEMBLY 1	1	
12	664-14381-01-00	.BODY, FLOAT CHAMBER	1	
13	648-14384-01-00	.GASKET, FLOAT CHAMBER	1	
14	648-14385-00-00	.FLOAT	1	
15	648-14386-00-00	.PIN, FLOAT	1	
16	98517-04012-00	.SCREW, PAN HEAD	4	
17	92990-04100-00	.WASHER, SPRING	4	
18	648-14341-00-00	.NOZZLE, MAIN	1	
19	689-14343-73-00	.JET, MAIN (#146)	1	
20	61K-14390-00-00	.NEEDLE VALVE ASSEMBLY	1	
21	648-14342-30-00	.JET, PILOT (# 60)	1	
22	98580-04014-00	.SCREW, PAN HEAD	1	
23	647-14323-00-00	.SCREW, AIR ADJUSTING	1	
24	648-14334-00-00	.SPRING, AIR ADJUSTING	2	
25	648-41210-01-00	.ACCEL ARM ASSEMBLY	1	
26	664-14327-01-00	.SCREW	1	
27	656-41241-00-00	.ROD, LINK	1	
28	661-41262-02-00	.JOINT, CHOKE LEVER	1	
29	648-W4121-00-00	.SHEAVE SHAFT, ACCEL LINK	1	
30	90386-05002-00	.BUSH	2	
31	95380-05700-00	.NUT	1	
32	92990-05100-00	.WASHER, SPRING	1	
33	664-41231-00-00	.COLLAR, GUIDE PIN	1	
34	92990-05200-00	.WASHER, PLAIN	1	
35	93430-04031-00	.CIRCLIP	1	
36	646-14394-00-00	.VALVE, DRAIN	1	
37	646-14223-01-00	.SPRING, DRAIN VALVE	1	
38	646-14397-00-00	.O-RING	1	
39	648-14198-A0-00	GASKET	1	
40	95380-06600-00	NUT, HEXAGON	2	
41	92990-06600-00	WASHER, PLATE	2	
42	695-14417-00-00	COVER 1	1	
43	695-14418-01-00	COVER 2	1	
44	98580-05530-00	SCREW, PAN HEAD	2	
45	92990-05100-00	.WASHER, SPRING	2	
46	92990-05600-00	WASHER, PLATE	2	
47	695-14476-00-00	SEAL	1	
48	682-41271-00-00	KNOB, CHOKE	1	
49	689-41273-00-00	GROMMET	1	
50	689-41252-01-00	LEVER, CHOKE 1	1	
51	91690-40048-00	PIN, SPRING	1	
52	695-41256-00-00	ROD, CHOKE 1	1	
53	661-41262-02-00	JOINT, CHOKE LEVER	1	
54	90461-06M01-00	CLAMP	1	
55	97313-06050-00	BOLT	1	C25ER/EH
56	92990-06600-00	WASHER, PLATE	1	C25ER/EH

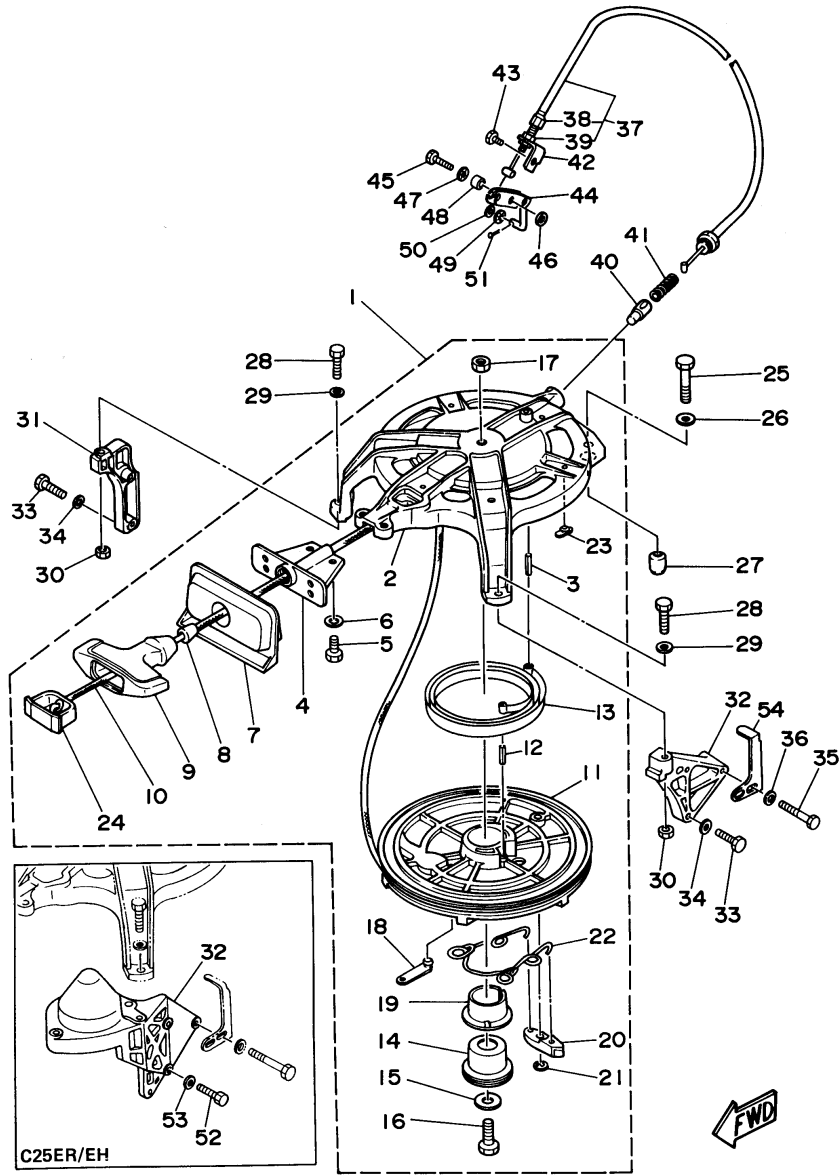
Part Notes

C25MSHU 1996 / INTAKE

PART NUMBER		NOTE TEXT
92990-06600-00		OEM: This part number is among the Top 100 Most Popular Marine Maintenance Parts as of March 2014.
92990-06600-00		OEM: This part number is among the Top 100 Most Popular Marine Maintenance Parts as of March 2014.
92990-06600-00		OEM: This part number is among the Top 100 Most Popular Marine Maintenance Parts as of March 2014.
92990-06600-00		OEM: This part number is among the Top 100 Most Popular Marine Maintenance Parts as of March 2014.
92990-06600-00		OEM: This part number is among the Top 100 Most Popular Marine Maintenance Parts as of March 2014.

©2014 Yamaha Motor Corporation, U.S.A. All rights reserved.

C25MSHU 1996 / STARTER



©2014 Yamaha Motor Corporation, U.S.A. All rights reserved.








Part List

C25MSHU 1996 / STARTER

REF - NO	PART NUMBER	PART NAME	QUANTITY	REMARKS
1	689-15710-03-00	STARTER ASSEMBLY	1	
2	676-15711-01-94	.CASE, STARTER	1	
3	91690-40020-00	.PIN, SPRING	2	
4	689-15758-01-94	.GUIDE, ROPE	1	
5	97095-06016-00	.BOLT	2	
6	92990-06600-00	.WASHER, PLATE	2	
7	689-15762-01-00	.SEAL, RUBBER 2	1	
8	689-15789-00-00	.DAMPER	1	
9	689-15755-01-00	.HANDLE, STARTER	1	
10	90580-50M01-00	.ROPE, STARTER	1	
11	676-15714-00-94	.DRUM, SHEAVE	1	
12	91690-40020-00	.PIN, SPRING	1	
13	90510-09M00-00	.SPRING, SPIRAL	1	
14	676-15717-00-00	.SHAFT, STARTER	1	
15	90201-08309-00	.WASHER, PLATE	1	
16	97013-08025-00	.BOLT	1	
17	95333-08600-00	.NUT	1	
18	676-15799-01-00	.CLIP	1	
19	90386-35M01-00	.BUSH	1	
20	676-15741-03-00	.PAWL, DRIVE	1	
21	93430-06M02-00	.CIRCLIP	1	
22	676-15705-00-00	.SPRING, DRIVE PAWL	1	
23	676-15773-00-00	.STAY 3	6	
24	6F5-15779-02-00	.COVER	1	
25	97090-08035-00	BOLT	1	
26	92990-08600-00	.WASHER, PLATE	1	
27	99510-12016-00	PIN, DOWEL	1	
28	97095-06030-00	BOLT	2	
29	92990-06600-00	WASHER, PLATE	2	
30	95380-06600-00	NUT, HEXAGON	2	UR C25MH
30	95380-06600-00	NUT, HEXAGON	1	UR C25ER/EH
31	6H7-15771-01-94	STAY 1	1	
32	656-15772-00-94	STAY 2	1	UR C25MH
32	695-15772-40-94	STAY 2	1	UR C25ER/EH
33	97095-06025-00	BOLT	2	UR C25ER/EH
33	97095-06025-00	BOLT	4	UR C25MH
34	92990-06600-00	WASHER, PLATE	4	UR C25MH
34	92990-06600-00	WASHER, PLATE	2	UR C25ER/EH
35	97313-06045-00	BOLT, HEXAGON	1	
36	92990-06600-00	WASHER, PLATE	1	
37	656-15770-00-00	CABLE COMP., STARTER STOP	1	
38	90123-06M00-00	.BOLT	1	
39	95380-06600-00	.NUT, HEXAGON	2	
40	656-15748-00-00	PLUNGER, STARTER STOP	1	
41	90501-10227-00	SPRING, COMPRESSION	1	
42	656-15774-41-00	STAY 4 (FOR NEUTRAL SWITCH)	1	UR C25EH
42	656-15774-00-00	STAY 4	1	UR C25ER/MH
43	97095-06010-00	BOLT	1	
44	656-15749-00-00	LINK, STARTER STOP	1	
45	97095-06020-00	BOLT	1	
46	92990-06600-00	WASHER, PLATE	1	
47	90206-08010-00	WASHER, WAVE	1	
48	90387-06568-00	COLLAR	1	
49	90206-05005-00	WASHER, WAVE	1	
50	92990-05600-00	WASHER, PLATE	1	
51	91490-16010-00	PIN. COTTER	1	
52	97095-06030-00	BOLT	2	C25ER/EH
53	92990-06600-00	WASHER, PLATE	2	C25ER/EH
54	689-81332-01-00	PLATE, TIMING	1	

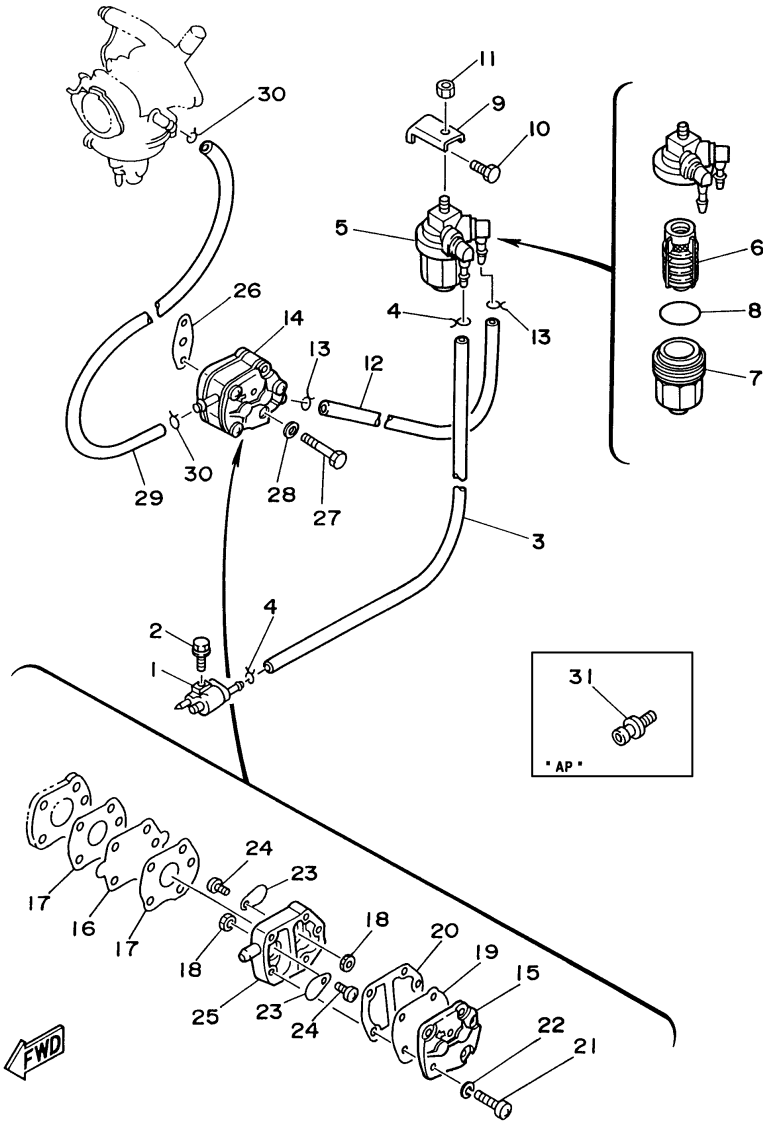
Part Notes

C25MSHU 1996 / STARTER

PART NUMBER		NOTE TEXT
92990-06600-00		OEM: This part number is among the Top 100 Most Popular Marine Maintenance Parts as of March 2014.
92990-06600-00		OEM: This part number is among the Top 100 Most Popular Marine Maintenance Parts as of March 2014.
92990-06600-00		OEM: This part number is among the Top 100 Most Popular Marine Maintenance Parts as of March 2014.
92990-06600-00		OEM: This part number is among the Top 100 Most Popular Marine Maintenance Parts as of March 2014.
92990-06600-00		OEM: This part number is among the Top 100 Most Popular Marine Maintenance Parts as of March 2014.
92990-06600-00		OEM: This part number is among the Top 100 Most Popular Marine Maintenance Parts as of March 2014.
92990-06600-00		OEM: This part number is among the Top 100 Most Popular Marine Maintenance Parts as of March 2014.

©2014 Yamaha Motor Corporation, U.S.A. All rights reserved.

C25MSHU 1996 / FUEL



©2014 Yamaha Motor Corporation, U.S.A. All rights reserved.



Part List

C25MSHU 1996 / FUEL

REF - NO	PART NUMBER	PART NAME	QUANTITY	REMARKS
1	6G1-24304-02-00	FUEL PIPE JOINT COMP. 1	1	
2	97595-06520-00	BOLT, WITH WASHER	1	
3	90445-09M25-00	HOSE (L600)	1	
4	90467-08004-00	CLIP	2	
5	61N-24560-00-00	FILTER ASSY	1	
6	61N-24563-00-00	.ELEMENT, FILTER	1	
7	61N-24521-00-00	.CUP, FILTER	1	
8	93210-32738-00	.O-RING	1	
9	648-24566-01-00	BRACKET, FILTER	1	
10	97095-06012-00	BOLT	1	
11	95380-08600-00	NUT	1	
12	664-24311-00-00	PIPE, FUEL 1	1	
13	90467-08004-00	CLIP	2	
14	692-24410-05-00	FUEL PUMP ASSEMBLY	1	
15	648-24413-01-00	.BODY 2	1	
16	692-24411-00-00	.DIAPHRAGM	1	
17	648-24434-01-00	.GASKET, BODY	2	
18	95380-03600-00	.NUT	2	
19	663-24411-00-00	.DIAPHRAGM	1	
20	648-24435-02-00	.GASKET, BODY 2	1	
21	98580-05530-00	.SCREW, PAN HEAD	3	
22	92990-05100-00	.WASHER, SPRING	3	
23	6A0-24421-01-00	.VALVE, CHECK	2	
24	6A0-14325-00-00	.SCREW, PAN HEAD	2	
25	6A0-24412-02-00	.BODY 1	1	
26	650-24431-A0-00	GASKET, FUEL PUMP 1	1	
27	97095-06040-00	.BOLT	2	
28	92990-06600-00	WASHER, PLATE	2	
29	648-24312-01-00	PIPE 2	1	
30	90467-08004-00	CLIP	2	
31	6E0-28193-00-94	PLUG, WATER CHECK	1	AP D:12.5

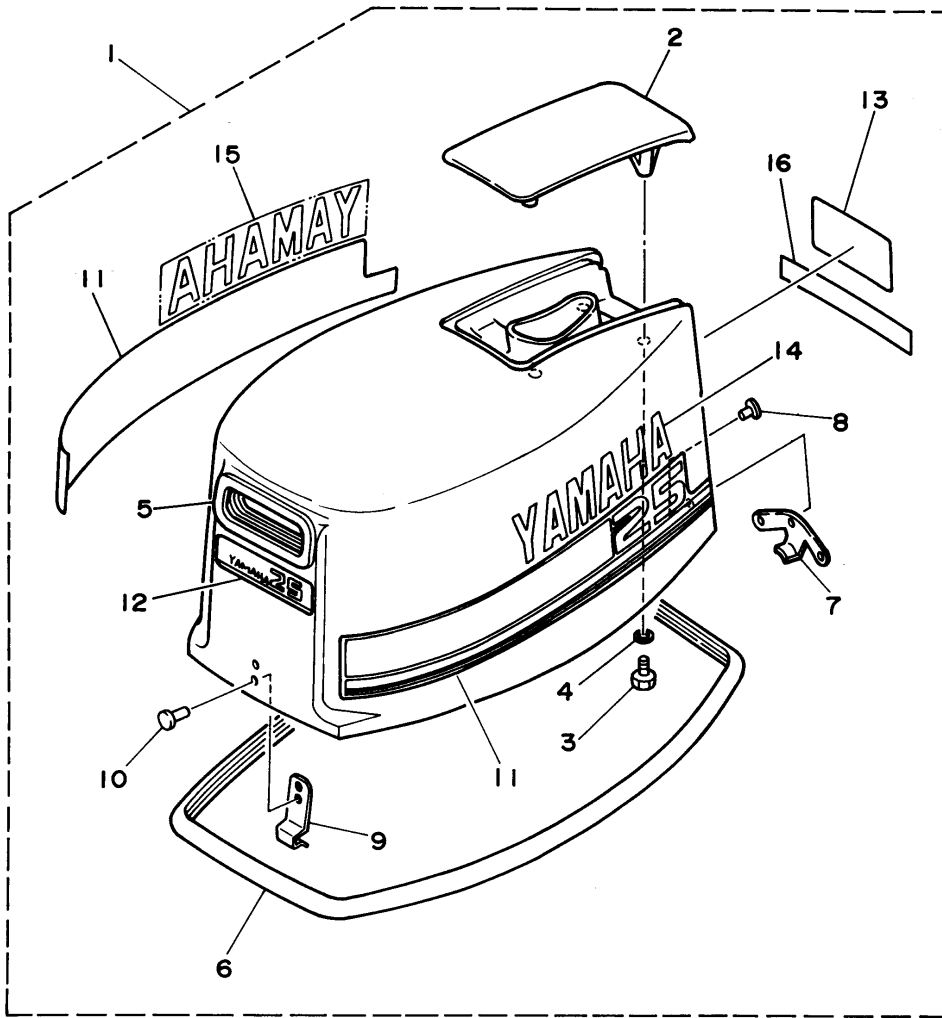
Part Notes

C25MSHU 1996 / FUEL

PART NUMBER		NOTE TEXT
650-24431-A0-00		OEM: This part number is among the Top 100 Most Popular Marine Maintenance Parts as of March 2014.
92990-06600-00		OEM: This part number is among the Top 100 Most Popular Marine Maintenance Parts as of March 2014.

©2014 Yamaha Motor Corporation, U.S.A. All rights reserved.

C25MSHU 1996 / TOP COWLING



©2014 Yamaha Motor Corporation, U.S.A. All rights reserved.


Part List

C25MSHU 1996 / TOP COWLING

REF - NO	PART NUMBER	PART NAME	QUANTITY	REMARKS
1	695-42610-14-4D	TOP COWLING ASSEMBLY	1	
2	689-42613-00-4D	.MOLDING, AIR DUCT	1	
3	97095-06012-00	.BOLT	4	
4	92990-06600-00	.WASHER, PLATE	4	
5	689-15761-00-00	.SEAL, RUBBER 1	1	
6	6G0-42615-00-00	.SEAL	1	
7	689-42647-00-00	.HOLDER, CLAMP BAND	1	
8	90266-04M01-00	.RIVET	3	
9	6G0-42651-02-00	.HOOK	1	
10	90266-04M04-00	.RIVET	2	
11	695-W0070-11-00	.GRAPHIC SET	1	
12	695-42677-10-00	.GRAPHIC, FRONT	1	
13	695-42678-11-00	.GRAPHIC, REAR	1	
14	695-42681-10-00	.MARK, COWLING (YAMAHA)	1	
15	695-42682-11-00	.MARK, COWLING (YAMAHA)	1	
16	695-4267A-10-00	.GRAPHIC, REAR 2	1	

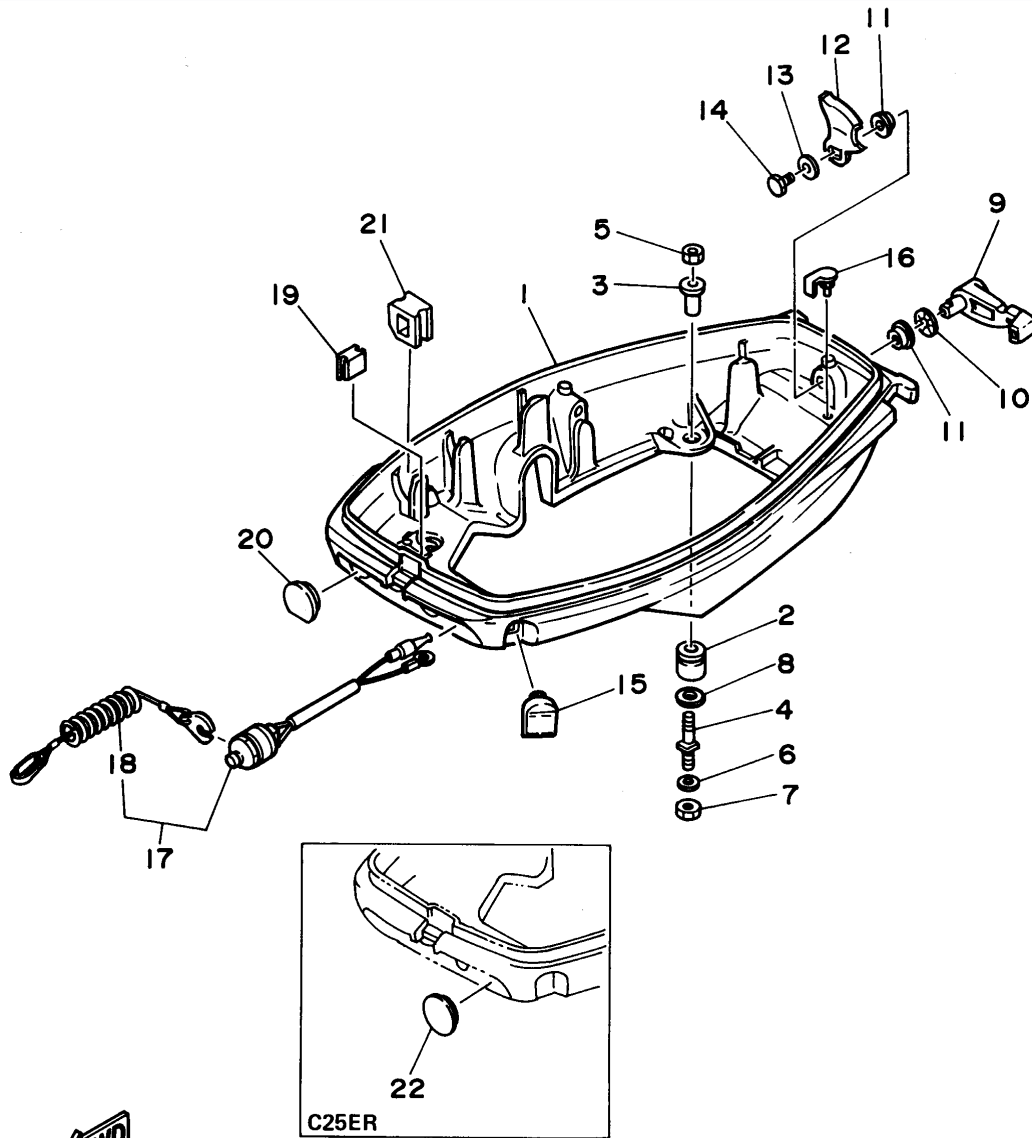
Part Notes

C25MSHU 1996 / TOP COWLING

PART NUMBER	NOTE TEXT
92990-06600-00 	OEM: This part number is among the Top 100 Most Popular Marine Maintenance Parts as of March 2014.

©2014 Yamaha Motor Corporation, U.S.A. All rights reserved.

C25MSHU 1996 / BOTTOM COWLING



©2014 Yamaha Motor Corporation, U.S.A. All rights reserved.


Part List

C25MSHU 1996 / BOTTOM COWLING

REF - NO	PART NUMBER	PART NAME	QUANTITY	REMARKS
1	689-42711-02-4D	COWLING, BOTTOM	1	
2	90480-15M06-00	.GROMMET	4	
3	90387-08M25-00	COLLAR	4	
4	6G0-42796-00-00	BOLT 1	4	
5	95380-08700-00	NUT	4	
6	92990-08600-00	..WASHER, PLATE	4	
7	95380-08700-00	NUT	4	
8	90201-08M87-00	WASHER, PLATE	4	
9	689-42815-00-00	LEVER, CLAMP	1	
10	90206-12052-00	WASHER, WAVE	1	
11	90386-12069-00	BUSH	2	
12	689-42816-00-00	LEVER, CLAMP	1	
13	90201-06M02-00	WASHER, PLATE	1	
14	97095-06010-00	BOLT	1	
15	689-42725-00-00	GROMMET	1	C25ER/MH
16	647-42523-00-00	SPACER, FRICTION	1	
17	689-82575-04-00	ENGINE STOP SWITCH ASSY	1	C25MH/EH
18	682-82556-00-00	.LANYARD, STOP SWITCH	1	C25MH/EH
19	676-42724-40-00	GROMMET	1	C25ER
20	689-42724-40-00	GROMMET	1	UR C25EH
20	682-42724-00-00	GROMMET	1	UR C25MH
21	90480-17M08-00	GROMMET	1	
22	90480-17165-00	GROMMET	1	C25ER

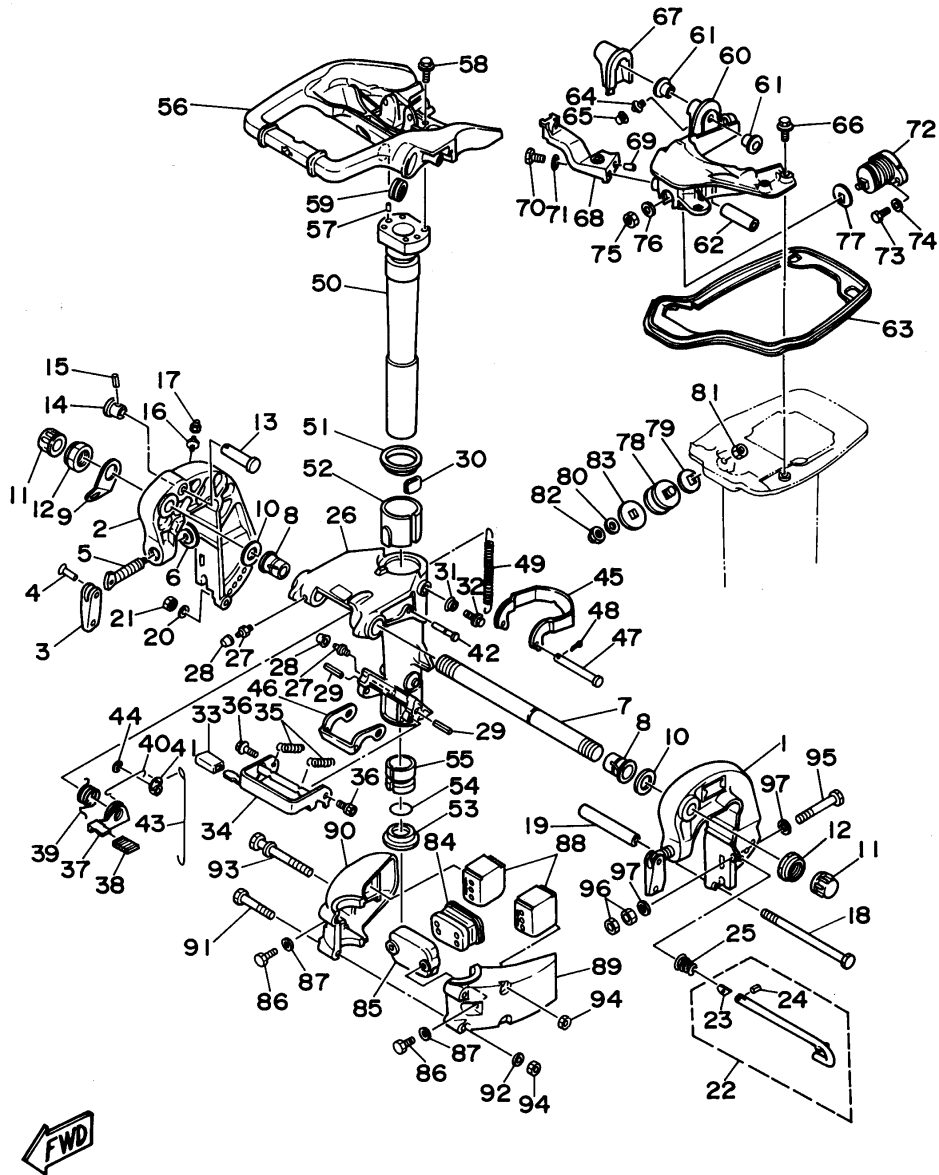
Part Notes

C25MSHU 1996 / BOTTOM COWLING

PART NUMBER	NOTE TEXT
682-82556-00-00 	OEM: This part number is among the Top 100 Most Popular Marine Maintenance Parts as of March 2014.

©2014 Yamaha Motor Corporation, U.S.A. All rights reserved.

C25MSHU 1996 / BRACKET 1



©2014 Yamaha Motor Corporation, U.S.A. All rights reserved.

Part List



C25MSHU 1996 / BRACKET 1

REF - NO	PART NUMBER	PART NAME	QUANTITY	REMARKS
1	689-43111-03-4D	BRACKET, CLAMP	1	
2	689-43112-02-4D	BRACKET, CLAMP	1	
3	616-43118-00-4D	HANDLE, TRANSOM CLAMP	2	
4	90243-04M00-00	PIN	2	
5	6E7-43116-00-00	SCREW, TRANSOM CLAMP	2	
6	648-43114-01-00	PAD, TRANSOM CLAMP	2	
7	6J8-43131-01-00	BOLT, CLAMP BRACKET	1	
8	90386-22M67-00	BUSH	2	
9	6J8-43113-01-00	PLATE, CLAMP BRACKET	1	
10	90201-22M03-00	WASHER, PLATE	2	
11	6G5-43145-00-00	CAP, CLAMP BRACKET	2	
12	90185-22M11-00	NUT, SELF-LOCKING	2	
13	689-43191-00-00	SHAFT, STOPPER	1	
14	689-43192-01-00	KNOB, STOPPER	1	
15	91690-30016-00	PIN, SPRING	1	
16	93700-06M03-00	NIPPLE, GREASE	1	
17	663-45119-00-00	CAP, GREASE NIPPLE	1	AP
18	90101-08339-00	BOLT	1	
19	90387-08M03-00	COLLAR	1	
20	92990-08600-00	..WASHER, PLATE	1	
21	95380-08600-00	NUT	1	
22	689-43160-00-00	TILT ROD ASSY	1	
23	689-43165-00-00	.PLATE, TILT LOCK	1	
24	91690-30008-00	.PIN, SPRING	1	
25	90502-10M07-00	SPRING, CONICAL	1	
26	689-43311-03-4D	BRACKET, SWIVEL	1	
27	93700-06M03-00	NIPPLE, GREASE	3	
28	663-45119-00-00	CAP, GREASE NIPPLE	3	AP
29	91690-40035-00	PIN, SPRING	2	
30	648-42528-00-00	PLATE, FRICTION	1	
31	689-43373-01-00	SEAL, DAMPER	1	
32	90105-06M18-00	BOLT, FLANGE	1	
33	682-43318-01-00	COVER	1	
34	689-43681-01-00	LEVER, SHALLOW WATER DRIVE	1	
35	90506-16M17-00	SPRING, TENSION	2	
36	90109-06M18-00	BOLT	2	
37	689-43631-00-00	LEVER, TILT	1	
38	689-43633-00-00	.COVER, TILT LEVER	1	
39	689-43643-00-00	SPRING	1	
40	689-43616-00-00	ROD, TILT LOCK	1	
41	648-43642-00-00	LEVER, TILT 1	1	
42	90249-06M22-00	PIN	1	
43	648-43617-00-00	ROD, TILT LOCK	1	
44	99080-05600-00	CIRCLIP	1	
45	689-43614-00-00	PLATE, TILT LOCK	1	
46	648-43615-00-00	PLATE, TILT LOCK	1	
47	90240-05046-00	PIN, CLEVIS	1	
48	91490-16010-00	PIN. COTTER	1	
49	90506-30M27-00	SPRING, TENSION	1	
50	689-42521-00-94	SHAFT, STEERING PIVOT	1	
51	90209-47016-00	WASHER	1	
52	90386-47M22-00	BUSH	1	
53	90386-38022-00	BUSH	1	
54	93210-37M67-00	O-RING	1	
55	90386-38090-00	BUSH	1	
56	689-42511-00-4D	BRACKET, STEERING	1	
57	93608-12063-00	PIN, DOWEL	2	
58	90105-06M07-00	.BOLT, FLANGE	4	
59	90480-29045-00	GROMMET	1	C25EM/MH

60	648-44518-01-94	BRACKET COMP.	1	
61	90381-12M01-00	BUSH, SOLID	2	
62	90387-10M39-00	COLLAR	2	
63	689-42716-00-00	RUBBER, SEAL 1	1	
64	93700-06M03-00	NIPPLE, GREASE	1	
65	663-45119-00-00	CAP, GREASE NIPPLE	1	AP
66	90105-06M08-00	BOLT, FLANGE	4	
67	689-42718-00-00	RUBBER, SEAL 3	1	
68	648-44519-00-94	BRACKET	1	
69	93606-12019-00	.PIN, DOWEL	1	
70	97095-06018-00	.BOLT	1	
71	92990-06600-00	WASHER, PLATE	1	
72	689-44516-00-00	MOUNT DAMPER, UPPER FRONT	1	
73	97095-06020-00	BOLT	2	
74	92990-06600-00	WASHER, PLATE	2	
75	95380-10600-00	NUT	1	
76	92990-10200-00	WASHER, PLAIN	1	
77	648-44591-A0-00	GASKET	1	
78	664-44514-00-94	MOUNT DAMPER, UPPER SIDE	2	
79	648-44591-A0-00	GASKET	2	
80	92990-10200-00	WASHER, PLAIN	2	
81	95380-10600-00	NUT	2	
82	95380-10800-00	NUT	2	
83	664-44591-A0-00	GASKET	2	
84	689-44557-00-00	MOUNT DAMPER, LOWER FRONT	1	
85	689-44553-00-94	COVER, LOWER MOUNT	1	
86	97395-08025-00	BOLT	2	
87	92990-08600-00	..WASHER, PLATE	2	
88	689-44555-00-00	MOUNT DAMPER, LOWER SIDE	2	
89	689-44551-00-4D	HOUSING, LOWER MOUNT RUBBER	1	
90	689-44552-00-4D	HOUSING, LOWER MOUNT RUBBER	1	
91	97395-08065-00	BOLT	2	
92	92990-08600-00	..WASHER, PLATE	2	
93	90119-08M03-00	BOLT, WITH WASHER	2	
94	95380-08600-00	NUT	4	
95	97095-08070-00	BOLT	2	
96	95380-08600-00	NUT	4	
97	92990-08600-00	..WASHER, PLATE	4	

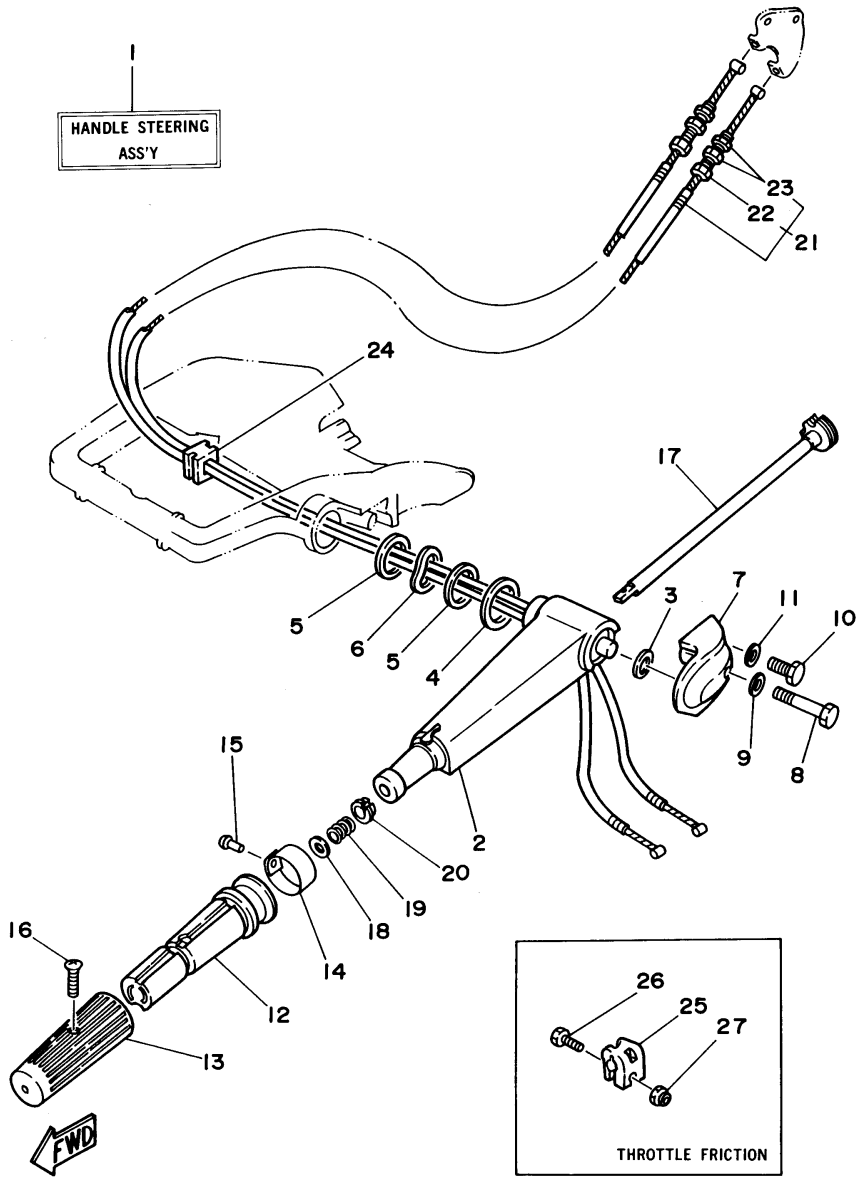
Part Notes

C25MSHU 1996 / BRACKET 1

PART NUMBER		NOTE TEXT
92990-06600-00		OEM: This part number is among the Top 100 Most Popular Marine Maintenance Parts as of March 2014.
92990-06600-00		OEM: This part number is among the Top 100 Most Popular Marine Maintenance Parts as of March 2014.

©2014 Yamaha Motor Corporation, U.S.A. All rights reserved.

C25MSHU 1996 / STEERING (EH MH)



©2014 Yamaha Motor Corporation, U.S.A. All rights reserved.




Part List

C25MSHU 1996 / STEERING (EH MH)

REF - NO	PART NUMBER	PART NAME	QUANTITY	REMARKS
1	695-W0084-10-4D	HANDLE STEERING ASSEMBLY (REF. # 2~24)	1	
2	689-42111-00-4D	HANDLE, STEERING	1	
3	90560-14076-00	SPACER	1	
4	90202-34043-00	WASHER, PLATE	1	
5	90201-28M00-00	WASHER, PLATE	2	
6	90206-28M07-00	WASHER, WAVE	1	
7	689-42112-00-4D	HANDLE, STEERING	1	
8	97595-06550-00	BOLT, WITH WASHER	1	
9	92990-06600-00	WASHER, PLATE	1	
10	97095-06020-00	BOLT	1	
11	92990-06600-00	WASHER, PLATE	1	
12	664-42119-00-00	GRIP, STEERING HANDLE	1	
13	6G1-42177-00-00	RUBBER, HANDLE	1	
14	695-42137-20-00	INDICATOR, THROTTLE	1	
15	90269-02M09-00	RIVET	1	
16	90149-05M13-00	SCREW	1	
17	689-42138-00-00	LEVER, THROTTLE	1	
18	92990-10600-00	WASHER, PLATE	1	
19	90501-23215-00	SPRING, COMPRESSION	1	
20	90386-08032-00	BUSH	1	
21	689-26311-03-00	CABLE, THROTTLE 1	2	
22	90123-06M00-00	.BOLT	1	
23	90170-06183-00	.NUT	2	
24	90480-12156-00	GROMMET	1	
25	656-42126-01-00	FRICITION, STEERING HANDLE GRIP	1	
26	97595-06520-00	BOLT, WITH WASHER	1	
27	90185-06062-00	NUT, SELF-LOCKING	1	

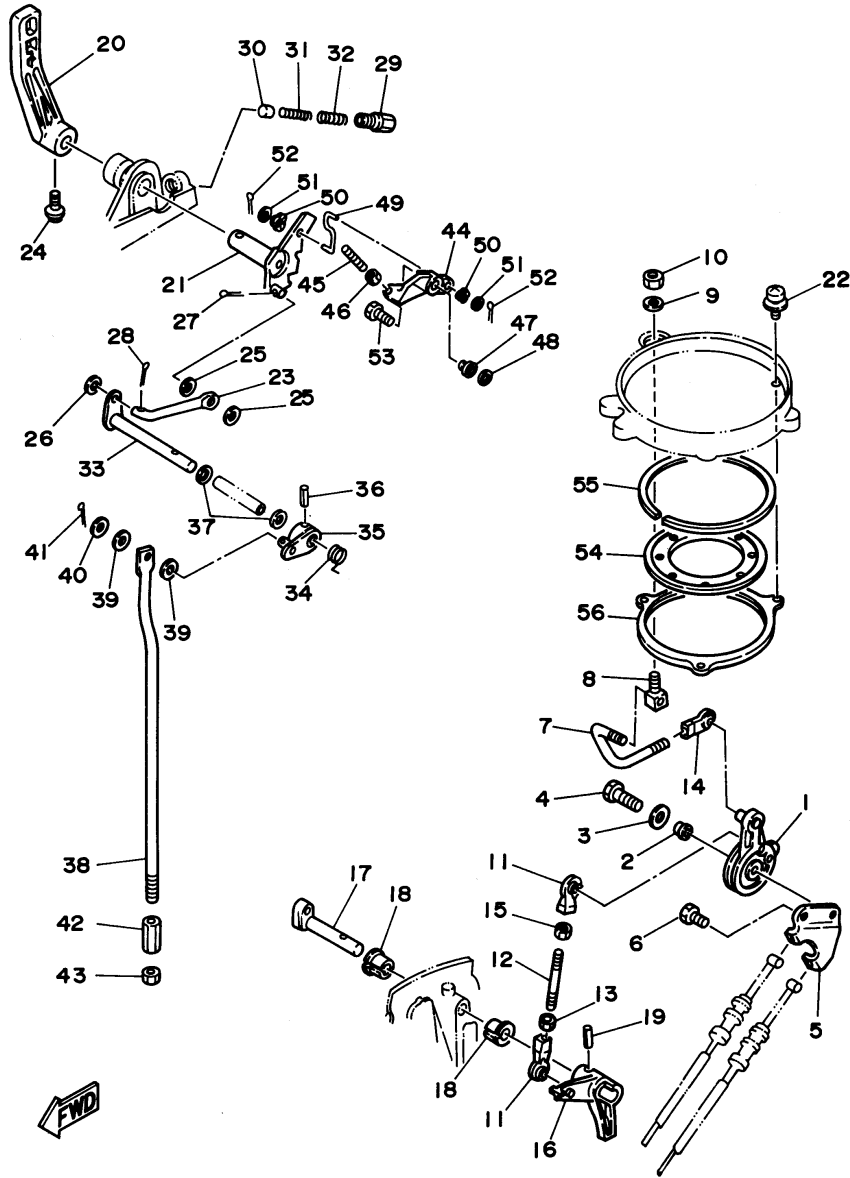
Part Notes

C25MSHU 1996 / STEERING (EH MH)

PART NUMBER		NOTE TEXT
92990-06600-00		OEM: This part number is among the Top 100 Most Popular Marine Maintenance Parts as of March 2014.
92990-06600-00		OEM: This part number is among the Top 100 Most Popular Marine Maintenance Parts as of March 2014.
92990-10600-00		OEM: This part number is among the Top 100 Most Popular Marine Maintenance Parts as of March 2014.

©2014 Yamaha Motor Corporation, U.S.A. All rights reserved.

C25MSHU 1996 / CONTROL



©2014 Yamaha Motor Corporation, U.S.A. All rights reserved.



Part List

C25MSHU 1996 / CONTROL

REF - NO	PART NUMBER	PART NAME	QUANTITY	REMARKS
1	664-41631-00-94	LEVER, MAGNETO CONTROL	1	
2	90387-06M02-00	COLLAR	1	
3	90387-06298-00	COLLAR	1	
4	97095-06025-00	BOLT	1	
5	664-14497-00-00	STAY, THROTTLE WIRE	1	
6	97095-06012-00	BOLT	1	
7	664-41636-00-00	ROD, MAGNETO CONTROL	1	
8	648-41635-00-00	SHAFT, LINK CONNECTING	1	
9	90201-05556-00	WASHER, PLATE	1	
10	95380-05600-00	NUT	1	
11	6H1-41237-00-00	JOINT, LINK	2	
12	90116-05220-00	BOLT, STUD	1	
13	95380-05600-00	NUT	1	
14	6H1-41237-00-00	JOINT, LINK	1	
15	95380-05600-00	NUT	1	
16	695-42154-71-94	LEVER, THROTTLE CONTROL	1	UR C25EM/MH
16	695-42154-00-94	LEVER, THROTTLE CONTROL	1	UR C25ER
17	656-42153-00-94	SHAFT, THROTTLE CONTROL	1	
18	90386-10009-00	.BUSH	2	
19	91690-40018-00	.PIN, SPRING	1	
20	689-44111-00-4D	HANDLE, GEAR SHIFT	1	
21	664-44113-01-00	CAM PLATE, HANDLE	1	
22	97985-05210-00	SCREW, WITH WASHER	3	
23	664-44142-00-00	JOINT	1	
24	90105-06M07-00	.BOLT, FLANGE	1	
25	90202-06007-00	WASHER, PLATE	2	
26	92990-05600-00	WASHER, PLATE	1	
27	91490-16010-00	PIN. COTTER	1	
28	91490-12012-00	PIN. COTTER	1	
29	664-42715-00-00	BUSHING	1	
30	664-44167-00-00	PLUNGER, SHIFT CAM	1	
31	90501-14M07-00	SPRING, COMPRESSION	1	
32	90501-09M08-00	SPRING, COMPRESSION	1	
33	689-44121-01-00	LEVER, SHIFT ROD	1	
34	90508-14M13-00	SPRING, TORSION	1	
35	689-44125-00-00	LEVER, SHIFT ROD	1	
36	91690-40016-00	PIN, SPRING	1	
37	90202-10024-00	WASHER, PLATE	2	
38	6G0-44143-00-00	ROD, SHIFT	1	
39	90202-06007-00	WASHER, PLATE	2	
40	92990-05600-00	WASHER, PLATE	1	
41	91490-20015-00	PIN. COTTER	1	
42	648-44146-00-00	CONNECTOR, SHIFT ROD	1	
43	90170-07021-00	NUT	1	
44	695-15746-71-94	ARM	1	C25EH/MH
45	90113-05M04-00	BOLT, SET	1	C25EH/MH
46	95380-05600-00	NUT	1	C25EH/MH
47	90387-06M02-00	COLLAR	1	C25EH/MH
48	90387-06298-00	COLLAR	1	C25EH/MH
49	689-15747-70-00	LINK	1	C25EH/MH
50	90206-05005-00	WASHER, WAVE	1	C25EH/MH
51	92990-05600-00	WASHER, PLATE	2	C25EH/MH
52	91490-16010-00	PIN. COTTER	1	C25EH/MH
53	97095-06020-00	BOLT	1	C25EH/MH
54	695-41612-00-00	RETAINER, MAGNETO BASE	1	
55	695-41613-00-00	PLATE, BASE FRICTION	1	
56	695-41611-00-94	RETAINER, MAGNETO BASE	1	

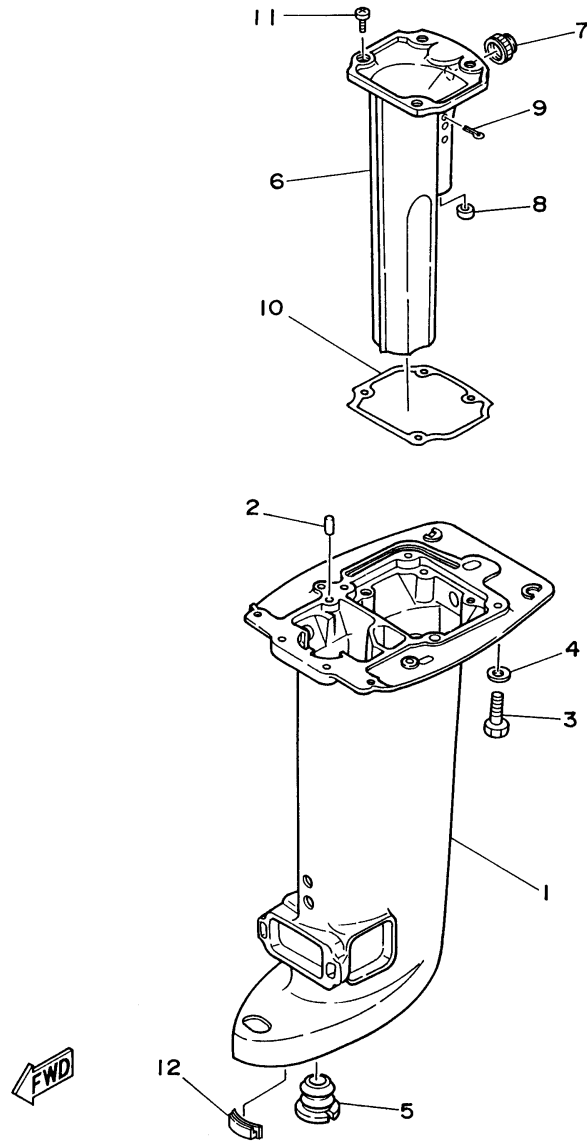
Part Notes

C25MSHU 1996 / CONTROL

PART NUMBER		NOTE TEXT
6H1-41237-00-00		OEM: This part number is among the Top 100 Most Popular Marine Maintenance Parts as of March 2014.
6H1-41237-00-00		OEM: This part number is among the Top 100 Most Popular Marine Maintenance Parts as of March 2014.

©2014 Yamaha Motor Corporation, U.S.A. All rights reserved.

C25MSHU 1996 / UPPER CASING



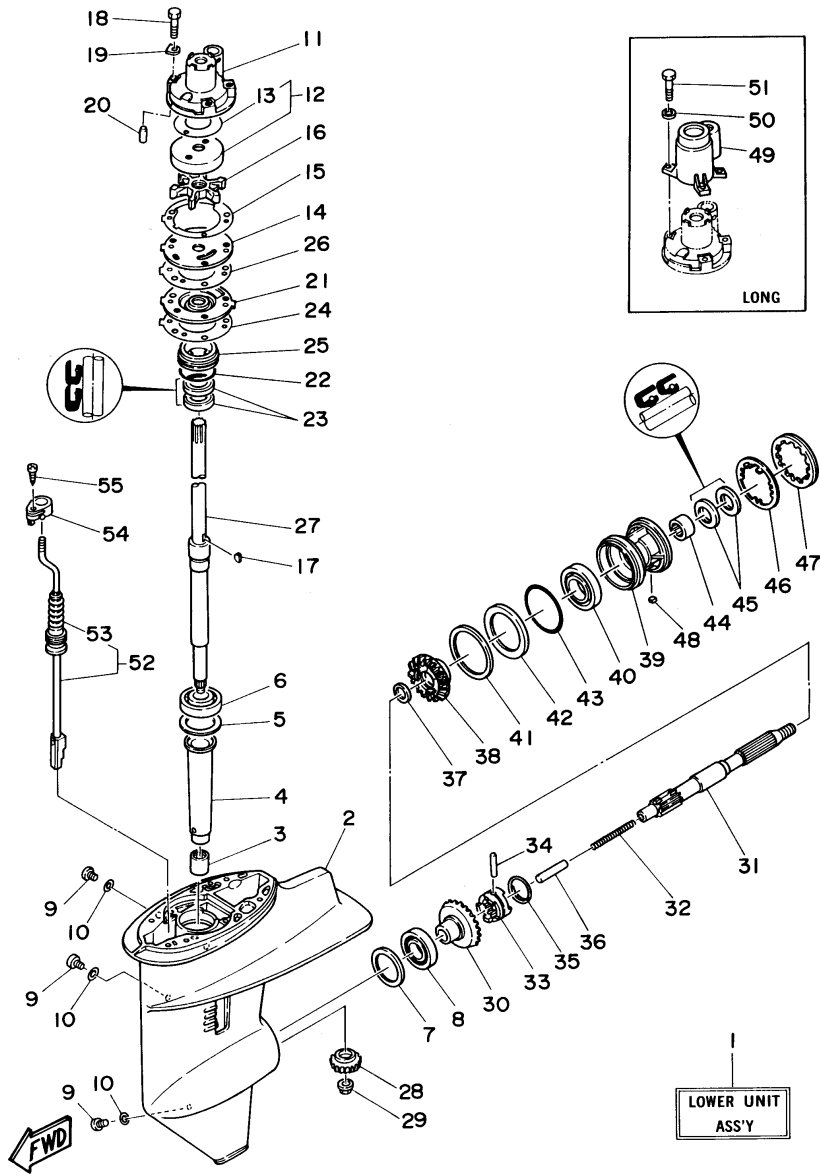
©2014 Yamaha Motor Corporation, U.S.A. All rights reserved.

Part List

C25MSHU 1996 / UPPER CASING

REF - NO	PART NUMBER	PART NAME	QUANTITY	REMARKS
1	689-45111-02-4D	CASING, UPPER	1	UR SHORT
1	689-45111-11-4D	CASING, UPPER	1	UR LONG
2	93606-12019-00	.PIN, DOWEL	2	
3	97395-08030-00	BOLT	6	
4	92990-08600-00	..WASHER, PLATE	6	
5	689-45127-00-00	SEAL	1	
6	664-41131-01-94	MANIFOLD, EXT. 1	1	
7	664-41133-00-00	GASKET, EXHAUST MANIFOLD 1	1	
8	664-41135-00-00	GASKET, EXHAUST MANIFOLD	1	
9	91490-30030-00	PIN, COTTER	1	
10	664-41134-A0-00	GASKET, EXHAUST MANIFOLD	1	
11	98580-06016-00	SCREW, PAN HEAD	4	
12	61N-45375-00-00	DAMPER, SEAL	1	

C25MSHU 1996 / LOWER CASING DRIVE 1



©2014 Yamaha Motor Corporation, U.S.A. All rights reserved.

Part List



C25MSHU 1996 / LOWER CASING DRIVE 1

REF - NO	PART NUMBER	PART NAME	QUANTITY	REMARKS
1	689-45300-16-4D	LOWER UNIT ASSEMBLY (REF. #2~17, 19~54)	1	LONG
1	689-45300-06-4D	LOWER UNIT ASSEMBLY (REF. #2~47, 51~54)	1	SHORT
2	689-45311-03-4D	CASING, LOWER	1	
3	93315-017U4-00	BEARING, CYLINDRICAL	1	
4	689-45536-00-00	SLEEVE, DRIVE SHAFT	1	
5	664-45587-01-15	SHIM (T:0.15MM)	1	UR
5	664-45587-01-10	SHIM (T:0.10MM)	1	UR
5	664-45587-01-50	SHIM (T:0.50MM)	1	UR
5	664-45587-01-30	SHIM (T:0.30MM)	1	UR
5	664-45587-01-12	SHIM (T:0.12MM)	1	UR
5	664-45587-01-18	SHIM (T:0.18MM)	1	UR
5	664-45587-01-40	SHIM (T:0.40MM)	1	UR
6	93332-000U4-00	BEARING	1	
7	664-45567-01-30	SHIM (T:0.30MM)	1	UR
7	664-45567-01-50	SHIM (T:0.50MM)	1	UR
7	664-45567-01-12	SHIM (T:0.12MM)	1	UR
7	664-45567-01-10	SHIM (T:0.10MM)	1	UR
7	664-45567-01-15	SHIM (T:0.15MM)	1	UR
7	664-45567-01-18	SHIM (T:0.18MM)	1	UR
7	664-45567-01-40	SHIM (T:0.40MM)	1	UR
8	93332-00005-00	BEARING	1	
9	90340-08M04-00	PLUG, STRAIGHT SCREW	3	
10	90430-08020-00	.GASKET	3	
11	689-44311-03-00	HOUSING, WATER PUMP	1	
12	689-W4432-02-00	INSERT CARTRIDGE COMP	1	
13	689-44367-01-00	.DAMPER, WATER SEAL	1	
14	689-44323-03-00	OUTER PLATE, CARTRIDGE	1	
15	689-44324-A0-00	GASKET, CARTRIDGE	1	
16	689-44352-02-00	IMPELLER	1	
17	664-44338-00-00	.KEY, WOODRUFF	1	
18	90101-06M56-00	BOLT	3	
19	90209-06M04-00	WASHER	3	
20	93604-10M03-00	PIN, DOWEL	2	
21	689-44325-02-5B	PROTECTOR, OIL SEAL	1	
22	93210-40M10-00	O-RING	1	
23	93101-22067-00	.OIL SEAL	2	
24	689-44315-A0-00	GASKET, WATER PUMP	1	
25	689-45344-00-94	COVER, OIL SEAL	1	
26	689-44316-A0-00	GASKET, WATER PUMP	1	
27	689-45501-00-00	DRIVE SHAFT COMP.	1	UR SHORT
27	689-45501-10-00	DRIVE SHAFT COMP.	1	UR LONG
28	689-45551-00-00	PINION	1	
29	90179-09M02-00	NUT	1	
30	689-45560-00-00	GEAR	1	
31	689-45611-01-00	SHAFT, PROPELLER	1	
32	90501-10065-00	SPRING, COMPRESSION	1	
33	664-45631-01-00	CLUTCH, DOG	1	
34	90250-05010-00	PIN, STRAIGHT	1	
35	648-45633-00-00	RING, CROSS PIN	1	
36	648-45635-00-00	PLUNGER, SHIFT	1	
37	90201-20417-00	WASHER, PLATE	1	
38	689-45571-00-00	GEAR	1	
39	689-45331-01-94	HOUSING, BEARING	1	
40	93306-00612-00	BEARING	1	
41	664-45577-01-12	SHIM (T:0.12MM)	1	UR
41	664-45577-01-30	SHIM (T:0.30MM)	1	UR
41	664-45577-01-50	SHIM (T:0.50MM)	1	UR
41	664-45577-01-10	SHIM (T:0.10MM)	1	UR
41	664-45577-01-15	SHIM (T:0.15MM)	1	UR

41	664-45577-01-18	SHIM (T:0.18MM)	1	UR
41	664-45577-01-40	SHIM (T:0.40MM)	1	UR
42	664-45576-00-00	WASHER, THRUST	1	UN
43	93210-60MA3-00	.O-RING	1	
44	93315-22004-00	BEARING	1	
45	93101-20M07-00	.OIL SEAL	2	
46	90214-45M02-00	WASHER, CLAW	1	
47	664-45384-00-00	NUT	1	
48	90282-04010-00	KEY, STRAIGHT	1	
49	689-44312-00-5B	COVER, WATER PUMP HOUSING	1	LONG
50	92990-06600-00	WASHER, PLATE	3	LONG
51	97095-06035-00	BOLT	3	LONG
52	695-44150-10-00	SHIFT CAM ASSEMBLY	1	UR LONG
52	695-44150-00-00	SHIFT CAM ASSEMBLY	1	UR SHORT
53	664-44147-00-00	.BOOT, SHIFT ROD	1	
54	689-44176-01-00	BRACKET	1	
55	97780-50110-00	SCREW, PAN HEAD	1	

Part Notes

C25MSHU 1996 / LOWER CASING DRIVE 1

PART NUMBER		NOTE TEXT
90430-08020-00		OEM: This part number is among the Top 100 Most Popular Marine Maintenance Parts as of March 2014.
92990-06600-00		OEM: This part number is among the Top 100 Most Popular Marine Maintenance Parts as of March 2014.

©2014 Yamaha Motor Corporation, U.S.A. All rights reserved.


Part List

C25MSHU 1996 / LOWER CASING DRIVE 2

REF - NO	PART NUMBER	PART NAME	QUANTITY	REMARKS
1	664-44361-00-00	TUBE, WATER	1	UR SHORT
1	689-44361-10-00	TUBE, WATER	1	UR LONG
2	689-44366-00-00	DAMPER, WATER SEAL	1	
3	689-45214-01-00	COVER, WATER INLET	1	
4	689-45215-01-00	COVER, WATER INLET	1	
5	98780-05525-00	SCREW, FLAT HEAD	1	
6	90185-05002-00	NUT, NYLON	1	
7	93606-12019-00	.PIN, DOWEL	2	
8	90105-10059-00	BOLT, WASHER BASED	2	
9	92990-10600-00	WASHER, PLATE	4	
10	90105-10M12-00	BOLT, FLANGE	2	
11	664-45371-01-00	TAB-TRIM	1	
12	90105-08M02-00	BOLT, FLANGE	1	
13	626-44365-01-00	DAMPER, WATER SEAL	1	
14	689-44314-00-00	SPACER	1	
15	664-45987-01-00	SPACER	1	
16	689-45997-00-00	SPACER 2	1	
17	92990-14200-00	WASHER, PLAIN	1	
18	90171-14013-00	NUT, CASTLE	1	
19	91490-30030-00	PIN, COTTER	1	
20	664-45947-01-EL	PROPELLER (3X9-7/8"X11-1/4"-F)	1	UR AL
20	664-45941-01-EL	PROPELLER (3X9-7/8"X9"-F)	1	UR AL
20	664-45943-01-EL	PROPELLER (3X9-7/8"X8"-F)	1	UR AL
20	664-45949-02-EL	PROPELLER (3X9-7/8"X13"-F)	1	UR AL
20	664-45952-00-EL	PROPELLER (3X9-7/8"X14"-F)	1	UR AL
20	664-45945-00-EL	PROPELLER (3X9-7/8"X10-1/2"-F)	1	UR AL
21	93210-26240-00	.O-RING	2	LONG
22	689-44362-00-94	TUBE, WATER	1	LONG
23	689-44328-03-00	PLATE	1	LONG

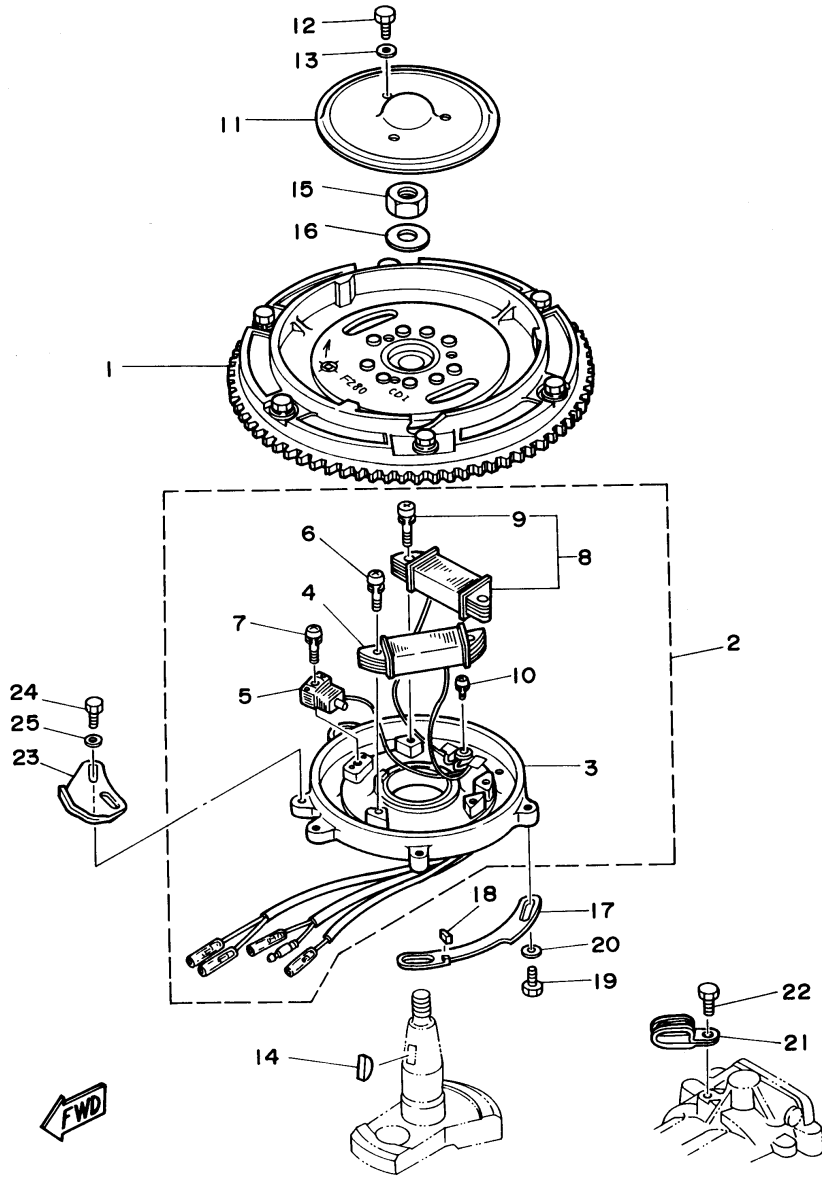
Part Notes

C25MSHU 1996 / LOWER CASING DRIVE 2

PART NUMBER	NOTE TEXT
92990-10600-00 	OEM: This part number is among the Top 100 Most Popular Marine Maintenance Parts as of March 2014.

©2014 Yamaha Motor Corporation, U.S.A. All rights reserved.

C25MSHU 1996 / MAGNETO



©2014 Yamaha Motor Corporation, U.S.A. All rights reserved.



Part List

C25MSHU 1996 / MAGNETO

REF - NO	PART NUMBER	PART NAME	QUANTITY	REMARKS
1	695-85550-40-00	ROTOR ASSEMBLY	1	
2	695-85560-A0-00	BASE ASSEMBLY	1	
3	695-85561-70-00	.BASE, MAGNETO	1	
4	695-85520-70-00	.COIL, CHARGE	1	
5	695-85580-70-00	.COIL, PULSER	1	
6	90159-05039-00	.SCREW, W/WASHER	2	
7	90159-05038-00	.SCREW, WITH WASHER	1	
8	695-81303-A0-00	.LIGHTING COIL ASSEMBLY	1	
9	90159-05040-00	..SCREW, WITH WASHER	2	
10	90159-04035-00	.SCREW, WITH WASHER	1	
11	648-81362-00-00	COVER, HOLE	1	
12	97095-06012-00	BOLT	3	
13	92990-06600-00	WASHER, PLATE	3	
14	90280-16053-00	KEY, WOODRUFF	1	
15	90179-12M04-00	NUT	1	
16	90201-13M42-00	WASHER, PLATE	1	
17	695-41615-00-00	STOPPER, MAGNETO BASE	1	
18	695-44194-00-00	CAP	1	
19	97013-06012-00	BOLT	2	
20	92990-06600-00	WASHER, PLATE	2	
21	90461-06M01-00	CLAMP	1	
22	97095-06010-00	BOLT	1	
23	695-41213-00-94	CAM, ACCEL.	1	
24	97395-05012-00	.BOLT	2	
25	92990-05600-00	WASHER, PLATE	2	

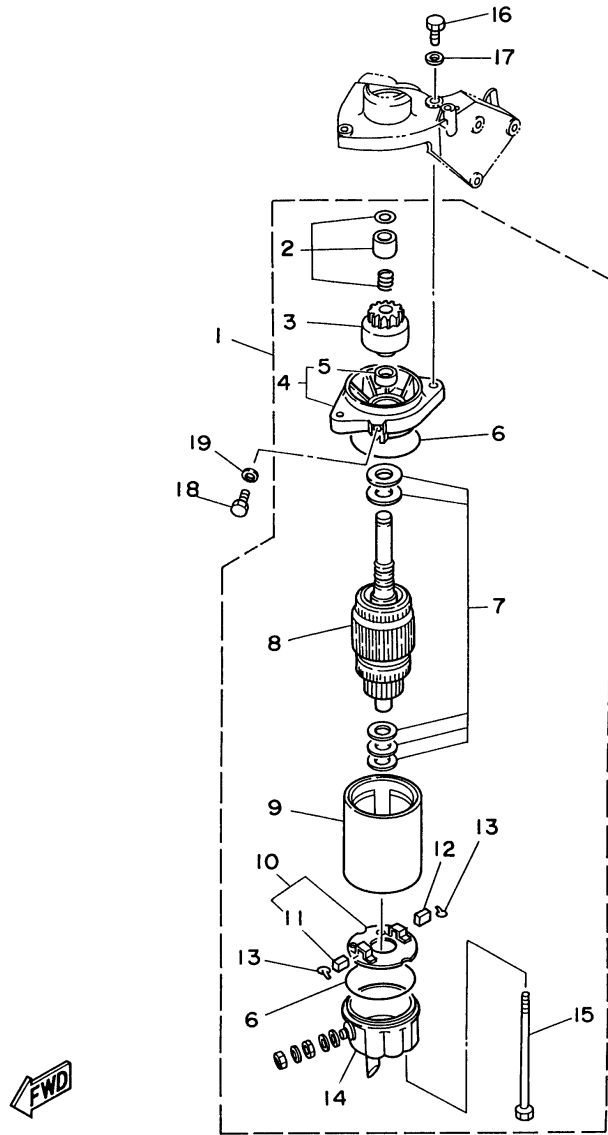
Part Notes

C25MSHU 1996 / MAGNETO

PART NUMBER	NOTE TEXT
92990-06600-00 	OEM: This part number is among the Top 100 Most Popular Marine Maintenance Parts as of March 2014.
92990-06600-00 	OEM: This part number is among the Top 100 Most Popular Marine Maintenance Parts as of March 2014.

©2014 Yamaha Motor Corporation, U.S.A. All rights reserved.

C25MSHU 1996 / STARTING MOTOR



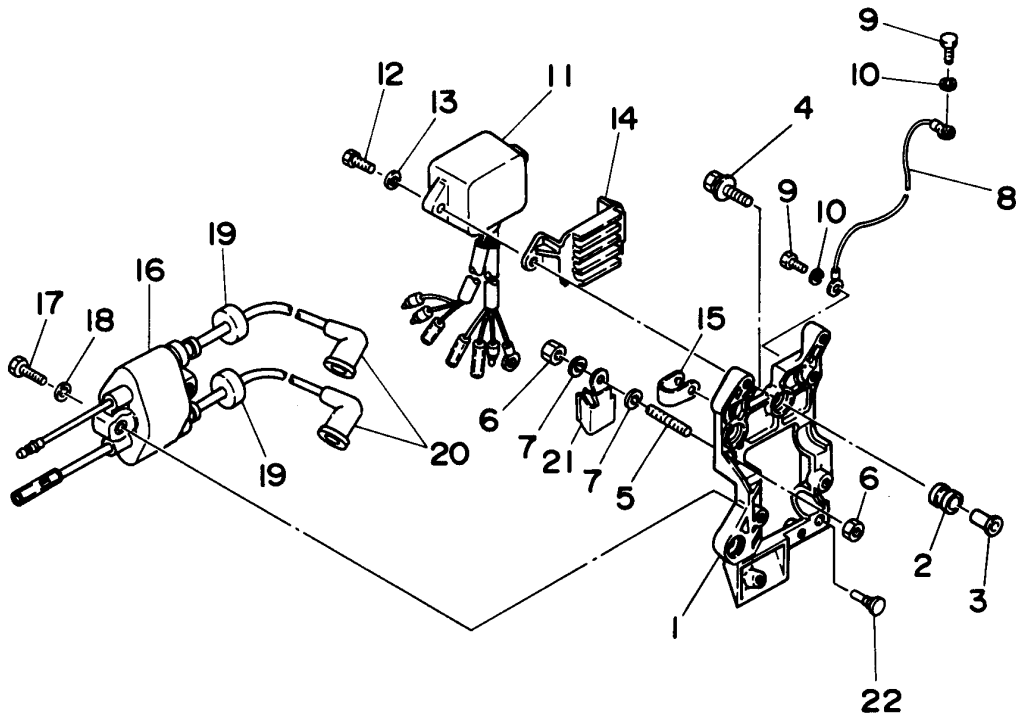
©2014 Yamaha Motor Corporation, U.S.A. All rights reserved.

Part List

C25MSHU 1996 / STARTING MOTOR

REF - NO	PART NUMBER	PART NAME	QUANTITY	REMARKS
1	689-81800-13-00	STARTING MOTOR ASSEMBLY	1	
2	689-81857-11-00	.PINION STOPPER SET	1	
3	689-81807-12-00	.GEAR ASSY, STARTING MOTOR	1	
4	689-81830-11-00	.FRONT BRACKET ASSEMBLY	1	
5	689-81831-00-00	..METAL, FRONT	1	
6	689-81847-11-00	.O-RING	2	
7	689-81809-11-00	.WASHER KIT	1	
8	689-81850-12-00	.ARMATURE ASSY	1	
9	689-81810-11-00	.STATOR ASSY	1	
10	689-81840-11-00	.BRUSH HOLDER ASSY	1	
11	689-81812-11-00	..BRUSH 2	1	
12	689-81811-11-00	.BRUSH 1	1	
13	689-81813-10-00	.SPRING, BRUSH	2	
14	689-81820-11-00	.REAR BRACKET ASSY	1	
15	689-81826-10-00	.BOLT	2	
16	97313-08030-00	BOLT	2	
17	92990-08600-00	..WASHER, PLATE	2	
18	97313-08012-00	BOLT, HEXAGON	1	
19	92990-08600-00	..WASHER, PLATE	1	

C25MSHU 1996 / ELECTRICAL 1



©2014 Yamaha Motor Corporation, U.S.A. All rights reserved.



Part List

C25MSHU 1996 / ELECTRICAL 1

REF - NO	PART NUMBER	PART NAME	QUANTITY	REMARKS
1	695-85542-00-94	BRACKET	1	
2	6A0-82317-00-00	DAMPER, IGNITION COIL	3	
3	624-42542-00-00	PIPE	3	
4	90119-06M88-00	BOLT, WITH WASHER	3	
5	90116-06M07-00	BOLT, STUD	1	
6	95380-06600-00	NUT, HEXAGON	2	
7	92995-06100-00	WASHER, SPRING	2	
8	689-82519-00-00	WIRE, EARTH LEAD	1	
9	97095-06012-00	BOLT	2	
10	92995-06100-00	WASHER, SPRING	2	
11	695-85540-11-00	C.D.I. UNIT ASSEMBLY	1	
12	97095-06025-00	BOLT	2	
13	92990-06600-00	WASHER, PLATE	2	
14	689-85548-01-00	HOLDER	1	
15	90464-12M00-00	CLAMP	1	
16	680-85570-00-00	IGNITION COIL ASSY	1	
17	97095-06025-00	BOLT	2	
18	92990-06600-00	WASHER, PLATE	2	
19	90480-25161-00	GROMMET	2	
20	663-82370-01-00	PLUG CAP ASSY	2	
21	90465-08M13-00	CLAMP	1	
22	689-85547-00-00	DAMPER	1	

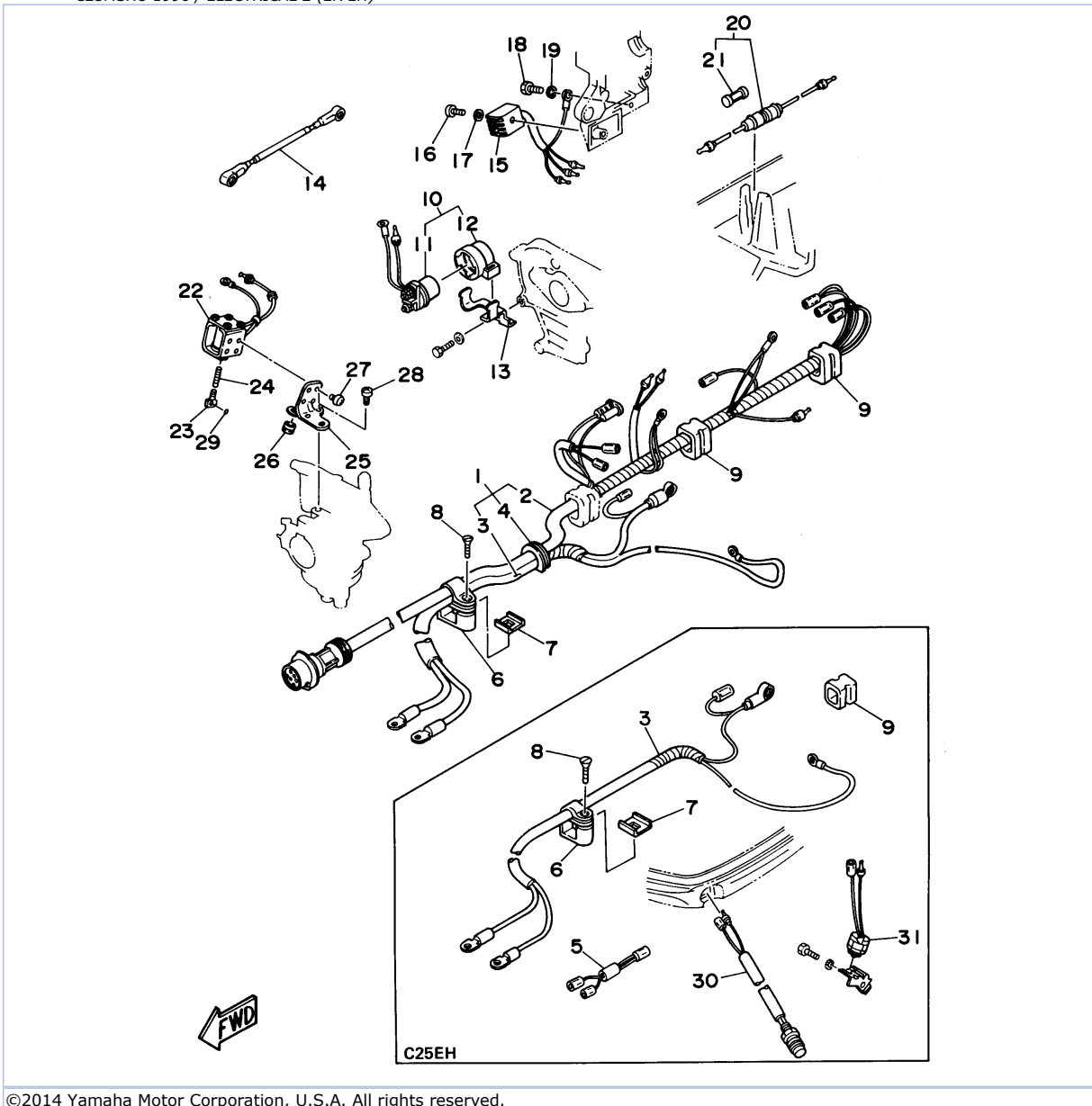
Part Notes

C25MSHU 1996 / ELECTRICAL 1

PART NUMBER	NOTE TEXT
92990-06600-00 	OEM: This part number is among the Top 100 Most Popular Marine Maintenance Parts as of March 2014.
92990-06600-00 	OEM: This part number is among the Top 100 Most Popular Marine Maintenance Parts as of March 2014.

©2014 Yamaha Motor Corporation, U.S.A. All rights reserved.

C25MSHU 1996 / ELECTRICAL 2 (ER EH)



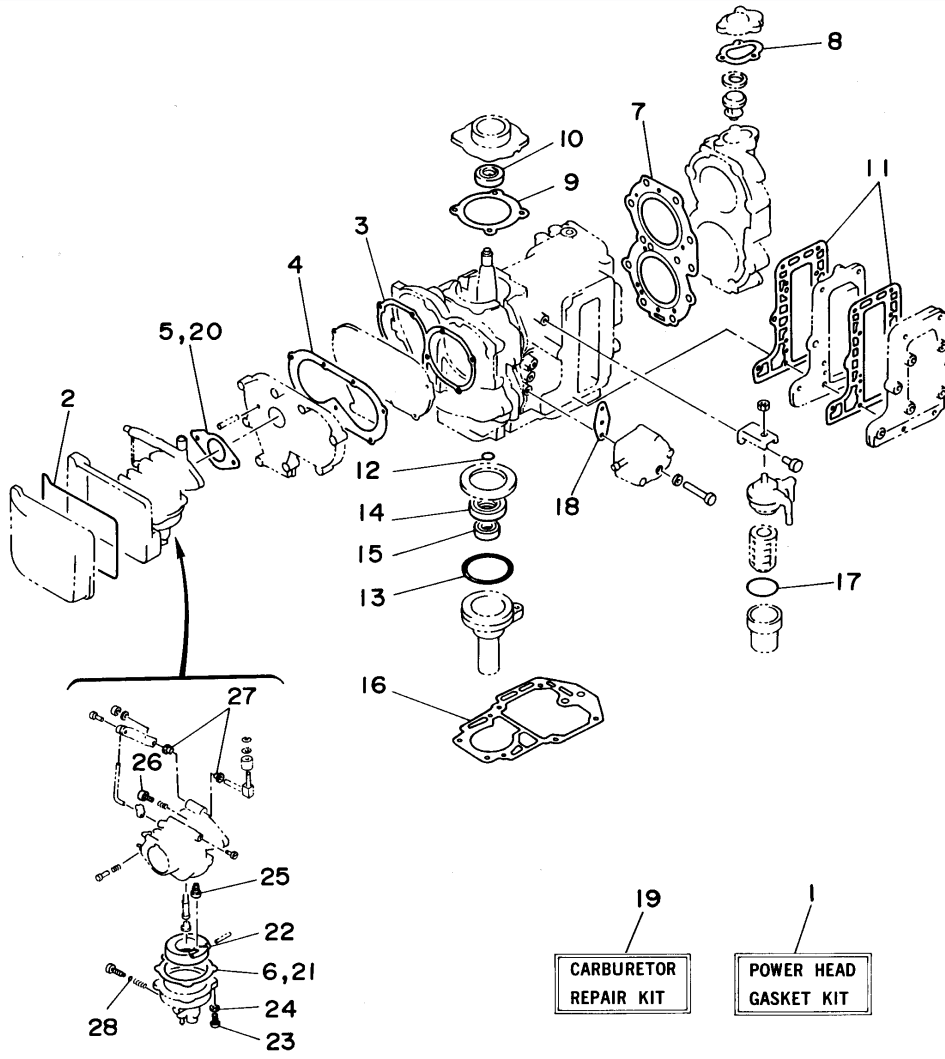
©2014 Yamaha Motor Corporation, U.S.A. All rights reserved.

Part List

C25MSHU 1996 / ELECTRICAL 2 (ER EH)

REF - NO	PART NUMBER	PART NAME	QUANTITY	REMARKS
1	695-82580-14-00	WIRE HARNESS ASSEMBLY 2	1	C25ER
2	689-82590-11-00	.WIRE HARNESS ASSEMBLY	1	C25ER
3	695-82105-13-00	.BATTERY CABLE	1	C25ER/EH
4	689-42724-50-00	.GROMMET	1	C25ER
5	694-82509-00-00	WIRE, SUB-LEAD	1	C25EH
6	689-82594-10-00	CLAMP	1	UR C25ER
6	689-82594-00-00	CLAMP	1	UR C25EH
7	682-42525-00-00	PLATE, FRICTION 1	1	
8	90161-06M03-00	SCREW, TAPPING	1	
9	90480-17M08-00	GROMMET	1	UR C25EH
9	90480-17M08-00	GROMMET	2	UR C25ER
10	6G1-81940-00-00	STARTER RELAY ASSEMBLY	1	
11	6G1-81941-10-00	.STARTER RELAY ASSY	1	
12	6G1-81952-00-00	.HOLDER, RELAY	1	
13	695-81945-00-00	PLATE, SWITCH FITTING	1	
14	695-82531-02-00	WIRE, LEAD	1	
15	664-81970-61-00	RECTIFIER ASSEMBLY	1	
16	98580-05525-00	SCREW, PAN HEAD	1	
17	92990-05600-00	WASHER, PLATE	1	
18	97095-06012-00	BOLT	1	
19	92995-06100-00	WASHER, SPRING	1	
20	682-82150-10-00	FUSE HOLDER ASSEMBLY	1	
21	682-82151-00-00	.FUSE (12V-20A)	1	
22	689-86111-01-00	COIL, SOLENOID	1	C25ER
23	682-86117-00-00	HOOK, WIRE PULL	1	C25ER
24	682-86116-00-00	WIRE, PULL	1	C25ER
25	689-86112-04-00	STAY, SOLENOID	1	C25ER
26	90480-10155-00	GROMMET	1	C25ER
27	98580-04006-00	.SCREW, PAN HEAD	4	C25ER
28	98580-05012-00	.SCREW, PAN HEAD	2	C25ER
29	93210-03261-00	O-RING	1	C25ER
30	689-81870-00-00	STARTING SWITCH ASSY	1	C25EH
31	689-82540-01-00	NEUTRAL SWITCH ASSEMBLY	1	C25EH

C25MSHU 1996 / REPAIR KIT 1



©2014 Yamaha Motor Corporation, U.S.A. All rights reserved.


Part List

C25MSHU 1996 / REPAIR KIT 1

REF - NO	PART NUMBER	PART NAME	QUANTITY	REMARKS
1	695-W0001-03-00	POWER HEAD GASKET KIT	1	
2	695-14476-00-00	.SEAL	1	
3	648-13621-A1-00	.GASKET, VALVE SEAT	1	
4	648-13645-A0-00	.GASKET, MANIFOLD 1	1	
5	648-14198-A0-00	.GASKET	1	
6	648-14384-01-00	.GASKET, FLOAT CHAMBER	1	
7	695-11181-A0-00	.GASKET, CYLINDER HEAD 1	1	
8	655-12414-A1-00	.GASKET, COVER	1	
9	664-15369-A0-00	.GASKET, OIL SEAL HOUSING	1	
10	93102-23096-00	.OIL SEAL	1	
11	664-41114-A0-00	.GASKET, EXHAUST OUTER COVER	2	
12	93210-16275-00	.O-RING	1	
13	93210-57M09-00	.O-RING	1	
14	93101-25M35-00	.OIL SEAL	1	
15	93101-16M36-00	.OIL SEAL	1	
16	689-45113-A1-00	.GASKET, UPPER CASING	1	
17	93210-32738-00	.O-RING	1	
18	650-24431-A0-00	.GASKET, FUEL PUMP 1	1	
19	689-W0093-02-00	CARBURETOR REPAIR KIT	1	
20	648-14198-A0-00	.GASKET	1	
21	648-14384-01-00	.GASKET, FLOAT CHAMBER	1	
22	648-14385-00-00	.FLOAT	1	
23	98517-04012-00	.SCREW, PAN HEAD	1	
24	92990-04100-00	.WASHER, SPRING	1	
25	61K-14390-00-00	.NEEDLE VALVE ASSEMBLY	1	
26	647-14323-00-00	.SCREW, AIR ADJUSTING	1	
27	90386-05002-00	.BUSH	2	
28	646-14397-00-00	.O-RING	1	

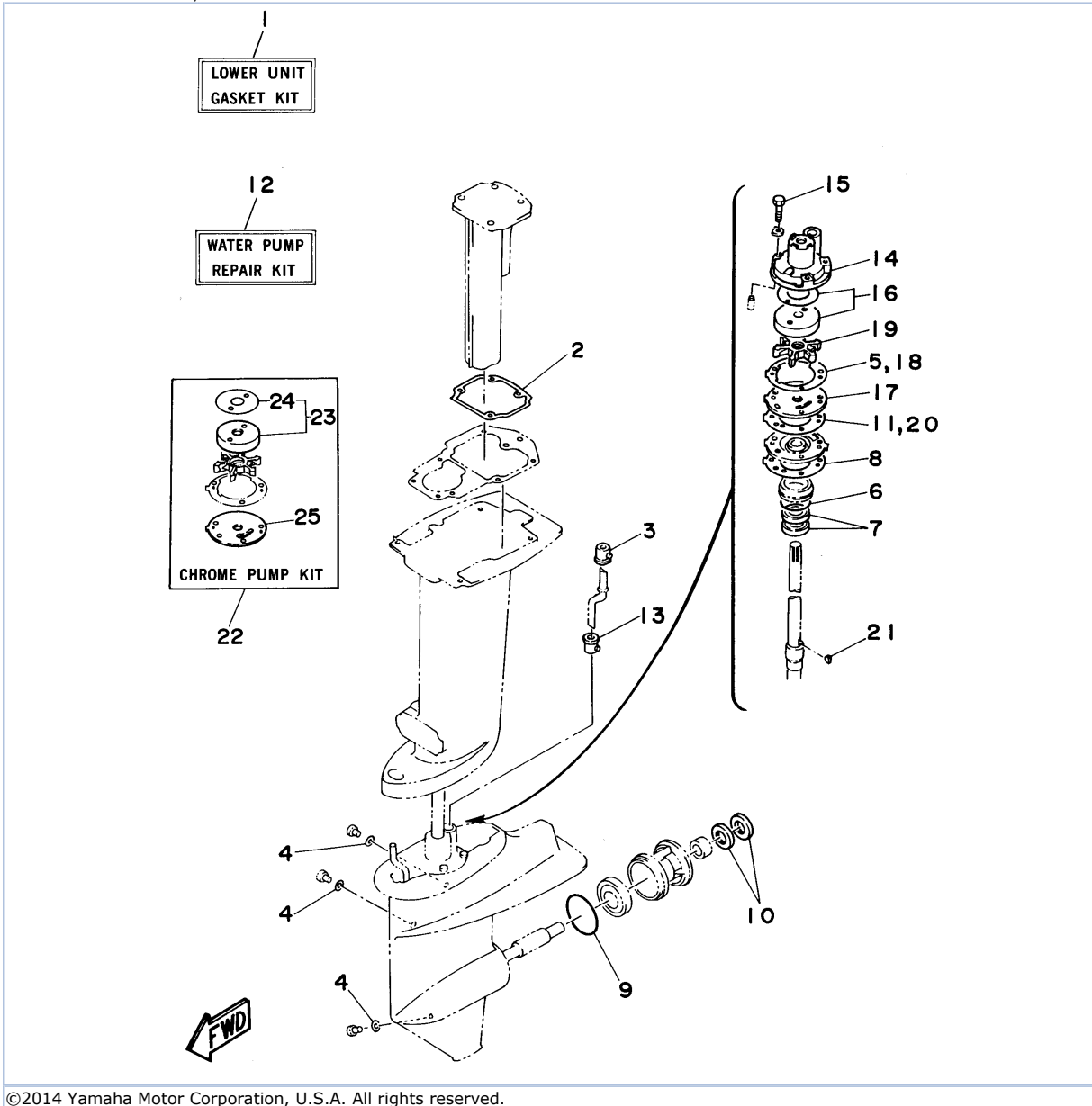
Part Notes

C25MSHU 1996 / REPAIR KIT 1

PART NUMBER	NOTE TEXT
650-24431-A0-00 	OEM: This part number is among the Top 100 Most Popular Marine Maintenance Parts as of March 2014.

©2014 Yamaha Motor Corporation, U.S.A. All rights reserved.

C25MSHU 1996 / REPAIR KIT 2




Part List

C25MSHU 1996 / REPAIR KIT 2

REF - NO	PART NUMBER	PART NAME	QUANTITY	REMARKS
1	689-W0001-23-00	LOWER UNIT GASKET KIT	1	
2	664-41134-A0-00	.GASKET, EXHAUST MANIFOLD	1	
3	689-44366-00-00	.DAMPER, WATER SEAL	1	
4	90430-08020-00	.GASKET	3	
5	689-44324-A0-00	.GASKET, CARTRIDGE	1	
6	93210-40M10-00	.O-RING	1	
7	93101-22067-00	.OIL SEAL	2	
8	689-44315-A0-00	.GASKET, WATER PUMP	1	
9	93210-60MA3-00	.O-RING	1	
10	93101-20M07-00	.OIL SEAL	2	
11	689-44316-A0-00	.GASKET, WATER PUMP	1	
12	689-W0078-A6-00	WATER PUMP REPAIR KIT	1	
13	626-44365-01-00	.DAMPER, WATER SEAL	1	
14	689-44311-03-00	.HOUSING, WATER PUMP	1	
15	90101-06M56-00	.BOLT	3	
16	689-W4432-02-00	.INSERT CARTRIDGE COMP	1	
17	689-44323-03-00	.OUTER PLATE, CARTRIDGE	1	
18	689-44324-A0-00	.GASKET, CARTRIDGE	1	
19	689-44352-02-00	.IMPELLER	1	
20	689-44316-A0-00	.GASKET, WATER PUMP	1	
21	664-44338-00-00	.KEY, WOODRUFF	1	
22	689-W0078-3A-00	CHROME PUMP KIT	1	
23	689-W4432-61-00	.INSERT CARTRIDGE COMP	1	
24	689-44367-01-00	..DAMPER, WATER SEAL	1	
25	689-44323-43-00	.OUTER PLATE, CARTRIDGE	1	

Part Notes

C25MSHU 1996 / REPAIR KIT 2

PART NUMBER	NOTE TEXT
90430-08020-00 	OEM: This part number is among the Top 100 Most Popular Marine Maintenance Parts as of March 2014.

©2014 Yamaha Motor Corporation, U.S.A. All rights reserved.

©2014 Yamaha Motor Corporation, U.S.A. All rights reserved.