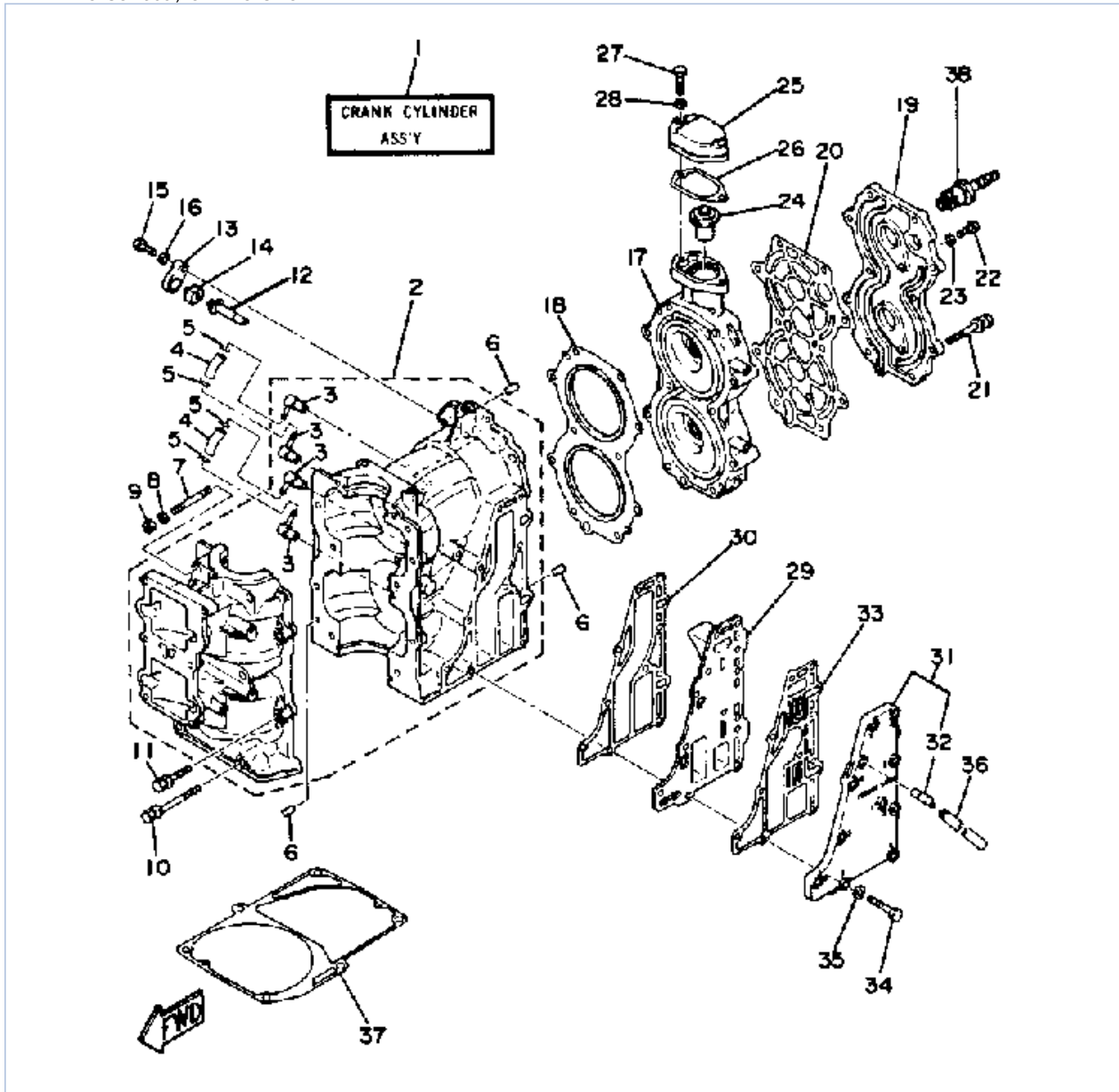


25ESG 1988 / CRANKCASE CYLINDER



©2014 Yamaha Motor Corporation, U.S.A. All rights reserved.





## Part List

25ESG 1988 / CRANKCASE CYLINDER

| REF - NO | PART NUMBER     | PART NAME                 | QUANTITY | REMARKS |
|----------|-----------------|---------------------------|----------|---------|
| 1        | 6L2-W0090-11-EK | CRANK-CYLINDER ASSEMBLY   | 1        |         |
| 2        | 6L2-15100-10-94 | CRANKCASE ASSEMBLY        | 1        |         |
| 3        | 6E5-11372-00-00 | .NIPPLE, HOSE             | 4        |         |
| 4        | 90445-07M15-00  | HOSE (L40)                | 2        |         |
| 5        | 90467-06016-00  | CLIP                      | 4        |         |
| 6        | 93604-10M03-00  | PIN, DOWEL                | 4        |         |
| 7        | 95612-08645-00  | BOLT, STUD (95611-08645)  | 2        |         |
| 8        | 90201-08086-00  | WASHER, PLATE             | 2        |         |
| 9        | 95333-08600-00  | NUT                       | 2        |         |
| 10       | 90119-08M21-00  | BOLT, WITH WASHER         | 4        |         |
| 11       | 90119-06M14-00  | BOLT, WITH WASHER         | 4        |         |
| 12       | 6J8-11325-00-00 | ANODE                     | 1        |         |
| 13       | 6H3-11327-00-94 | COVER, ANODE              | 1        |         |
| 14       | 6H3-11328-00-00 | GROMMET, ANODE            | 1        |         |
| 15       | 97313-06016-00  | BOLT, HEXAGON             | 1        |         |
| 16       | 92990-06600-00  | WASHER, PLATE             | 1        |         |
| 17       | 6L2-11111-00-94 | HEAD, CYLINDER.1          | 1        |         |
| 18       | 6L2-11181-A1-00 | GASKET, CYLINDER HEAD 1   | 1        |         |
| 19       | 6L2-11191-00-9M | COVER, CYLINDER HEAD 1    | 1        |         |
| 20       | 6L2-11193-A1-00 | .GASKET, HEAD COVER 1     | 1        |         |
| 21       | 90119-08M20-00  | BOLT, WITH WASHER         | 10       |         |
| 22       | 97313-06016-00  | BOLT, HEXAGON             | 2        |         |
| 23       | 92990-06600-00  | WASHER, PLATE             | 2        |         |
| 24       | 6E5-12411-20-00 | THERMOSTAT                | 1        |         |
| 25       | 6H4-12413-00-9M | COVER, THERMOSTAT         | 1        |         |
| 26       | 6J8-12414-A0-00 | GASKET, COVER             | 1        |         |
| 27       | 97313-06025-00  | BOLT                      | 2        |         |
| 28       | 92990-06600-00  | WASHER, PLATE             | 2        |         |
| 29       | 6L2-41111-00-9M | INNER COVER, EXHAUST      | 1        |         |
| 30       | 6L2-41112-00-00 | GASKET EXHAUST            | 1        |         |
| 31       | 6L2-41113-00-9M | OUTER COVER, EXHAUST      | 1        |         |
| 32       | 676-11372-00-00 | .NIPPLE, HOSE             | 1        |         |
| 33       | 6L2-41114-00-00 | GASKET, EXH.COVER         | 1        |         |
| 34       | 97313-06030-00  | BOLT                      | 10       |         |
| 35       | 92990-06600-00  | WASHER, PLATE             | 10       |         |
| 36       | 90445-10M40-00  | HOSE (L330)               | 1        |         |
| 37       | 6L2-45113-A1-00 | .GASKET, UPPER CASING     | 1        |         |
| 38       | NGK-B7HS1-00-00 | PLUG, SPARK (NGK B7HS-10) | 2        |         |

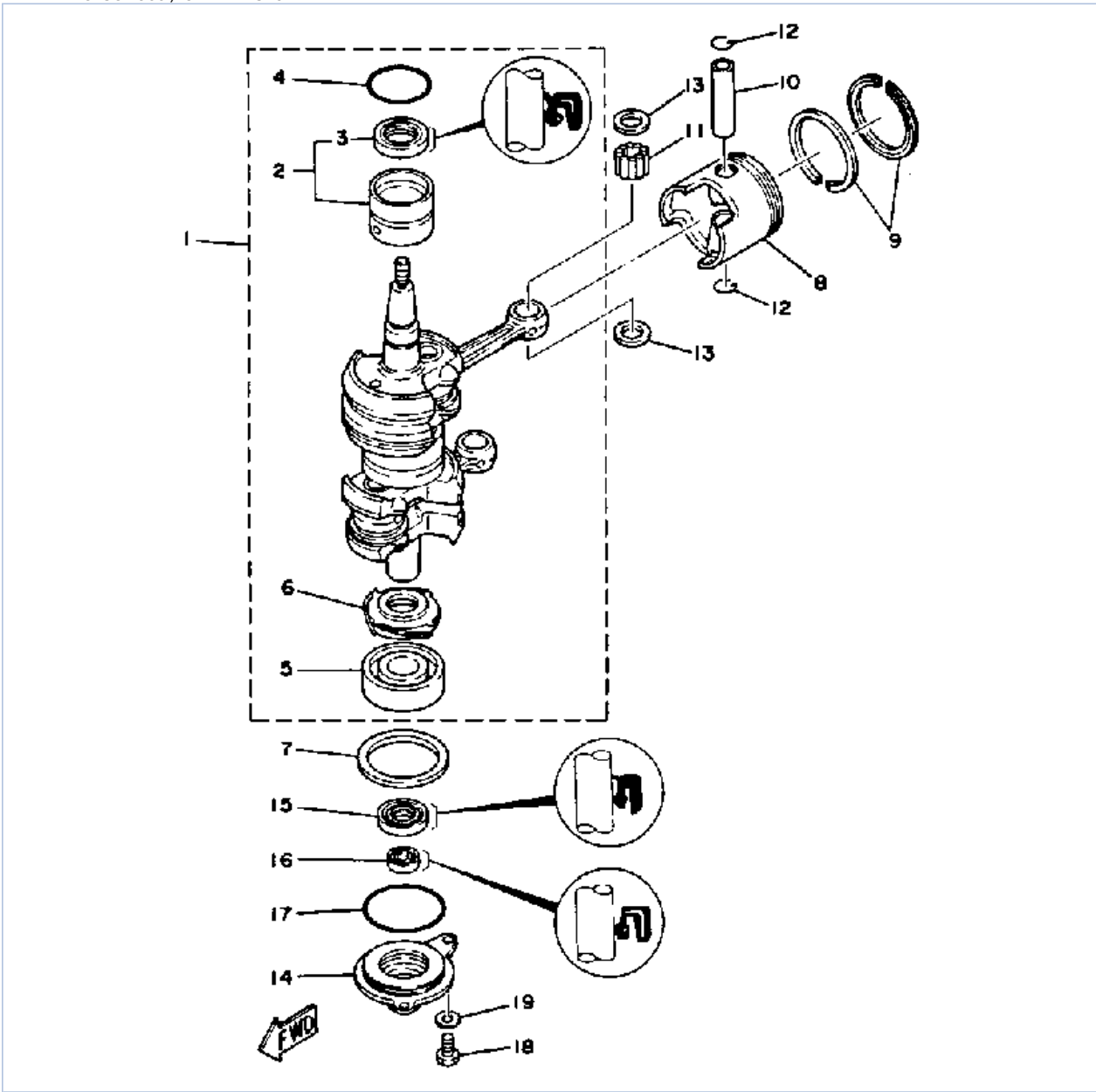
## Part Notes

25ESG 1988 / CRANKCASE CYLINDER

| PART NUMBER  | NOTE TEXT  |
|--|--|
| 92990-06600-00  | OEM: This part number is among the Top 100 Most Popular Marine Maintenance Parts as of March 2014. |
| 92990-06600-00  | OEM: This part number is among the Top 100 Most Popular Marine Maintenance Parts as of March 2014. |
| 92990-06600-00  | OEM: This part number is among the Top 100 Most Popular Marine Maintenance Parts as of March 2014. |
| 92990-06600-00  | OEM: This part number is among the Top 100 Most Popular Marine Maintenance Parts as of March 2014. |

©2014 Yamaha Motor Corporation, U.S.A. All rights reserved.

25ESG 1988 / CRANK PISTON



©2014 Yamaha Motor Corporation, U.S.A. All rights reserved.


## Part List

25ESG 1988 / CRANK PISTON

| REF - NO | PART NUMBER     | PART NAME                    | QUANTITY | REMARKS   |
|----------|-----------------|------------------------------|----------|-----------|
| 0        | 6L2-11610-20-00 | PISTON RING SET (0.50MM O/S) | 2        | ALT. PART |
| 1        | 6L2-11400-10-00 | CRANKSHAFT ASSEMBLY          | 1        |           |
| 2        | 93313-628U0-00  | .BEARING, CYLINDER#13        | 1        |           |
| 3        | 93102-26M27-00  | .OIL SEAL                    | 1        |           |
| 4        | 93210-42159-00  | .O-RING                      | 1        |           |
| 5        | 93306-305U5-00  | .BEARING                     | 2        |           |
| 6        | 6J8-11536-00-00 | .GEAR, DRIVE                 | 1        |           |
| 7        | 90201-50306-00  | WASHER, PLATE                | 1        |           |
| 8        | 6L2-11636-00-00 | PISTON (0.50MM O/S)          | 2        | ALT. PART |
| 8        | 6L2-11631-00-97 | PISTON (STD)                 | 2        |           |
| 9        | 6L2-11610-00-00 | PISTON RING SET (STD)        | 2        |           |
| 10       | 648-11633-00-00 | PIN, PISTON                  | 2        |           |
| 11       | 93602-18M12-00  | PIN, DOWEL                   | 62       |           |
| 12       | 93450-20026-00  | CIRCLIP                      | 4        |           |
| 13       | 90201-18522-00  | WASHER, PLATE                | 4        |           |
| 14       | 6L2-15396-00-9M | HOUSING, OIL SEAL            | 1        |           |
| 15       | 93102-25142-00  | .OIL SEAL                    | 1        |           |
| 16       | 93101-13M37-00  | .OIL SEAL                    | 1        |           |
| 17       | 93210-56M80-00  | .O-RING                      | 1        |           |
| 18       | 97395-06016-00  | BOLT, HEX                    | 2        |           |
| 19       | 92990-06600-00  | .WASHER, PLATE               | 2        |           |

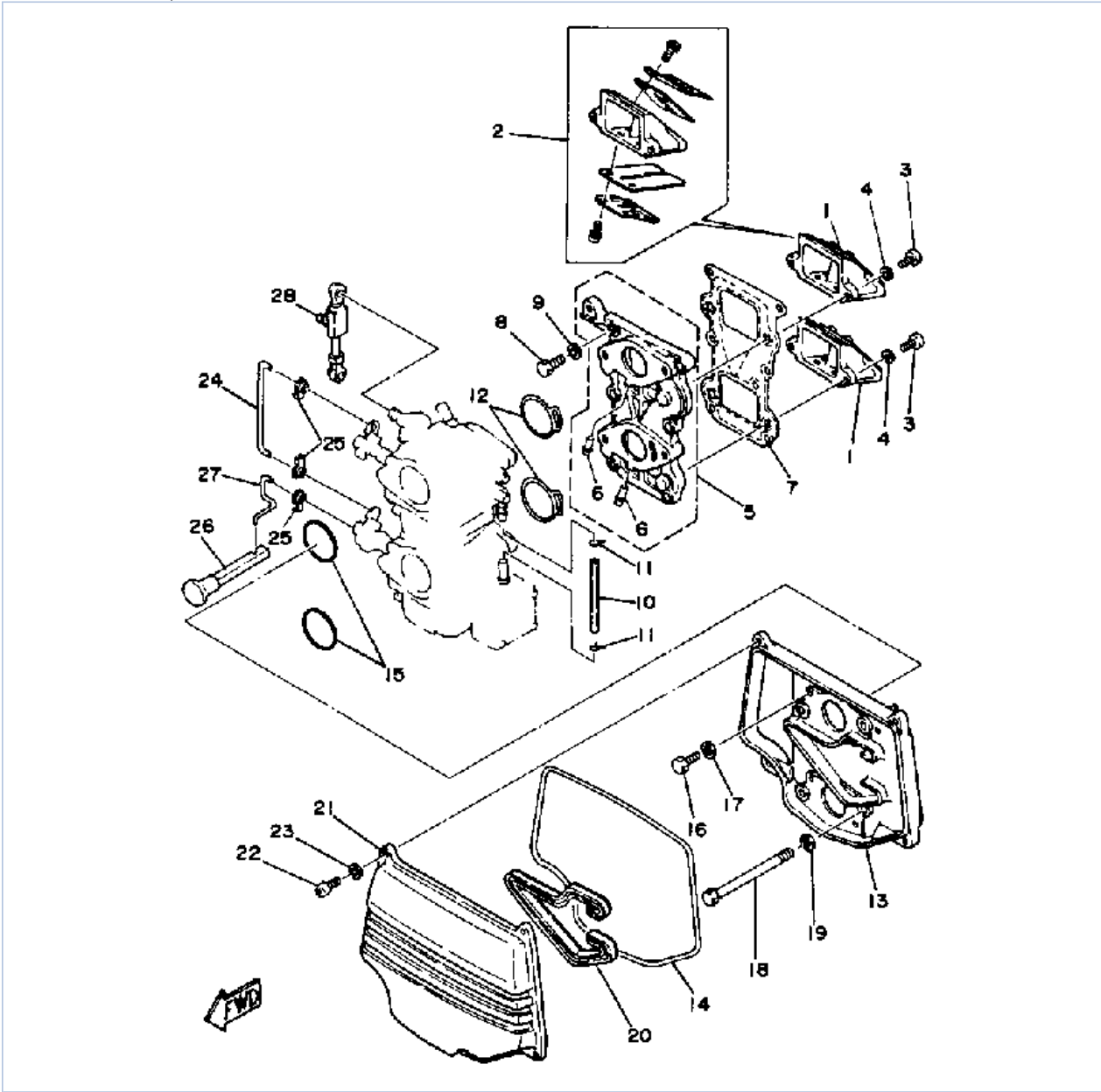
## Part Notes

25ESG 1988 / CRANK PISTON

| PART NUMBER  | NOTE TEXT  |
|--|--|
| 92990-06600-00  | OEM: This part number is among the Top 100 Most Popular Marine Maintenance Parts as of March 2014. |

©2014 Yamaha Motor Corporation, U.S.A. All rights reserved.

25ESG 1988 / INTAKE



©2014 Yamaha Motor Corporation, U.S.A. All rights reserved.



## Part List

25ESG 1988 / INTAKE

| REF<br>-<br>NO | PART<br>NUMBER  | PART NAME           | QUANTITY | REMARKS |
|----------------|-----------------|---------------------|----------|---------|
| 1              | 6L2-13610-00-00 | REED VALVE ASSY     | 2        |         |
| 2              | 6L2-W0004-00-00 | .REED SET           | 1        |         |
| 3              | 98580-05016-00  | SCREW, PAN HEAD     | 4        |         |
| 4              | 92990-05600-00  | WASHER, PLATE       | 4        |         |
| 5              | 6L2-13641-10-94 | MANIFOLD 1          | 1        |         |
| 6              | 676-14485-00-00 | .PIPE, JOINT        | 2        |         |
| 7              | 6L2-13621-00-00 | .GASKET, VALVE SEAT | 1        |         |
| 8              | 97313-06025-00  | BOLT                | 6        |         |
| 9              | 92990-06600-00  | WASHER, PLATE       | 6        |         |
| 10             | 90445-09061-00  | HOSE (L65)          | 1        |         |
| 11             | 90467-08004-00  | CLIP                | 2        |         |
| 12             | 6L2-14198-00-00 | .GASKET             | 2        |         |
| 13             | 6L2-14417-00-94 | COVER 1             | 1        |         |
| 14             | 6L2-14476-00-00 | SEAL                | 1        |         |
| 15             | 93210-35M86-00  | .O-RING             | 2        |         |
| 16             | 97313-05012-00  | BOLT, HEXAGON       | 4        |         |
| 17             | 92990-05600-00  | WASHER, PLATE       | 4        |         |
| 18             | 97390-06085-00  | BOLT                | 4        |         |
| 19             | 92990-06600-00  | WASHER, PLATE       | 4        |         |
| 20             | 6L2-14476-11-00 | SEAL                | 1        |         |
| 21             | 6L2-14418-00-00 | COVER 2             | 1        |         |
| 22             | 97886-05016-00  | SCREW, PAN HEAD     | 4        |         |
| 23             | 92990-05600-00  | WASHER, PLATE       | 4        |         |
| 24             | 6J8-41259-00-00 | ROD, CHOKE 3        | 1        |         |
| 25             | 661-41262-02-00 | JOINT, CHOKE LEVER  | 3        |         |
| 26             | 6J8-41271-01-00 | KNOB, CHOKE         | 1        |         |
| 27             | 6L2-41257-00-00 | ROD, CHOKE 2        | 1        |         |
| 28             | 6L2-41217-00-00 | ROD, ACCEL. LEVER   | 1        |         |

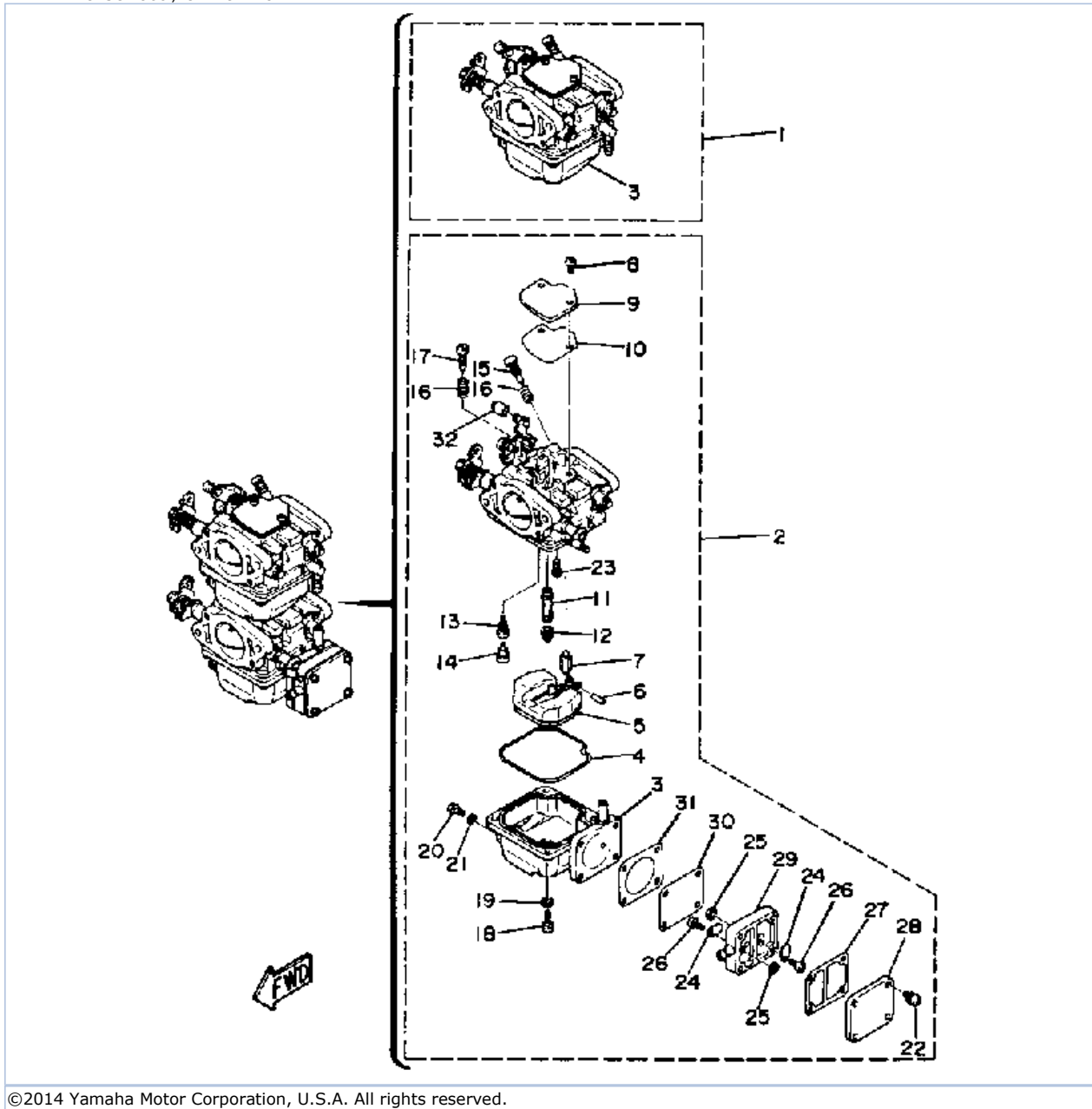
## Part Notes

25ESG 1988 / INTAKE

| PART NUMBER  | NOTE TEXT  |
|--|--|
| 92990-06600-00  | OEM: This part number is among the Top 100 Most Popular Marine Maintenance Parts as of March 2014. |
| 92990-06600-00  | OEM: This part number is among the Top 100 Most Popular Marine Maintenance Parts as of March 2014. |

©2014 Yamaha Motor Corporation, U.S.A. All rights reserved.

25ESG 1988 / CARBURETOR



©2014 Yamaha Motor Corporation, U.S.A. All rights reserved.

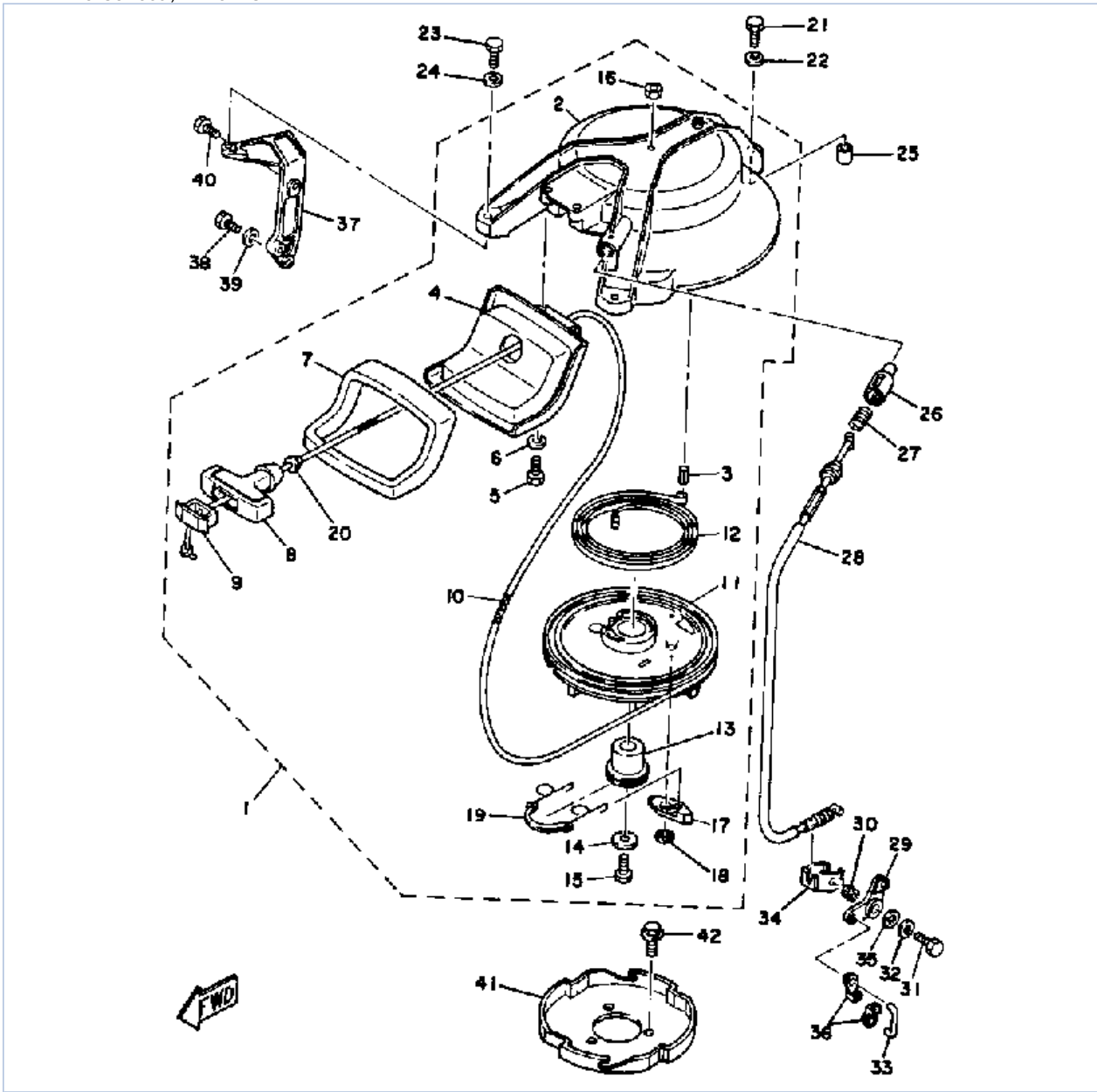
## Part List

25ESG 1988 / CARBURETOR

| REF<br>-<br>NO | PART<br>NUMBER  | PART NAME                | QUANTITY | REMARKS  |
|----------------|-----------------|--------------------------|----------|----------|
| 1              | 6L2-14301-01-00 | CARBURETOR ASSY 1        | 1        | UPPER    |
| 2              | 6L2-14302-01-00 | CARBURETOR ASSY 2        | 1        | LOWER    |
| 3              | 6L2-14381-00-00 | .BODY, FLOAT CHAMBER 1   | 1        | UR UPPER |
| 3              | 6L2-14383-00-00 | SCREW, DRAIN             | 1        | UR LOWER |
| 4              | 6L2-14384-00-00 | .GASKET, FLOAT CHAMBER   | 2        |          |
| 5              | 6L2-14385-00-00 | .FLOAT                   | 2        |          |
| 6              | 6E5-14386-01-00 | .PIN, FLOAT              | 2        |          |
| 7              | 6L2-14392-00-00 | .VALVE                   | 2        |          |
| 8              | 98580-04010-00  | .SCREW, PAN HEAD         | 4        |          |
| 9              | 6L2-14157-00-00 | .COVER, MIXING           | 2        |          |
| 10             | 6L2-14399-00-00 | .GASKET                  | 2        |          |
| 11             | 6L2-14341-00-00 | .NOZZLE, MAIN            | 2        |          |
| 12             | 30X-14343-63-00 | .JET, MAIN (125)         | 2        |          |
| 13             | 6L2-14342-30-00 | .JET, PILOT (60)         | 2        |          |
| 14             | 50M-14355-00-00 | .PLUG                    | 2        |          |
| 15             | 6L2-14323-00-00 | .SCREW, AIR ADJUSTING    | 2        |          |
| 16             | 646-14212-01-00 | .SPRING, PILOT ADJUSTING | 4        |          |
| 17             | 98503-04014-00  | .SCREW, PAN HEAD         | 2        |          |
| 18             | 98511-04012-00  | .SCREW, PAN HEAD         | 8        |          |
| 19             | 92901-04100-00  | .WASHER, SPRING          | 8        |          |
| 20             | 677-14383-01-00 | .SCREW, DRAIN            | 2        |          |
| 21             | 6L2-14398-00-00 | .GASKET                  | 2        |          |
| 22             | 677-24444-01-00 | .SCREW                   | 4        |          |
| 23             | 98901-04006-00  | .SCREW, BIND             | 2        |          |
| 24             | 6A0-24421-01-00 | .VALVE, CHECK            | 2        |          |
| 25             | 98813-03100-00  | .NUT                     | 2        |          |
| 26             | 6E7-14325-00-00 | .SCREW, PAN HEAD         | 2        |          |
| 27             | 677-24435-01-00 | .GASKET, BODY 2          | 1        |          |
| 28             | 6L2-24413-00-00 | .BODY 2                  | 1        |          |
| 29             | 682-24412-00-00 | .BODY 1                  | 1        |          |
| 30             | 677-24411-02-00 | .DIAPHRAGM               | 1        |          |
| 31             | 677-24434-01-00 | .GASKET, BODY            | 1        |          |
| 32             | 6L2-14578-00-00 | .COLLAR                  | 1        |          |



25ESG 1988 / MANUAL STARTER



©2014 Yamaha Motor Corporation, U.S.A. All rights reserved.




## Part List

25ESG 1988 / MANUAL STARTER

| REF - NO | PART NUMBER     | PART NAME                 | QUANTITY | REMARKS |
|----------|-----------------|---------------------------|----------|---------|
| 1        | 6L2-15710-00-00 | STARTER ASSEMBLY          | 1        |         |
| 2        | 6L2-15711-00-94 | .CASE, STARTER            | 1        |         |
| 3        | 91690-40014-00  | .PIN, SPRING              | 1        |         |
| 4        | 6L2-15758-00-94 | .GUIDE, ROPE              | 1        |         |
| 5        | 97313-06016-00  | .BOLT, HEXAGON            | 2        |         |
| 6        | 92990-06600-00  | .WASHER, PLATE            | 2        |         |
| 7        | 6L2-15762-00-00 | .SEAL, RUBBER 2           | 1        |         |
| 8        | 689-15755-00-00 | .HANDLE, STARTER          | 1        |         |
| 9        | 6F5-15779-01-00 | .COVER                    | 1        |         |
| 10       | 90580-50M01-00  | .ROPE, STARTER            | 1        |         |
| 11       | 6J8-15714-00-00 | .DRUM, SHEAVE             | 1        |         |
| 12       | 90510-08M04-00  | .SPRING, SPIRAL           | 1        |         |
| 13       | 677-15717-01-00 | .SHAFT, STARTER           | 1        |         |
| 14       | 90201-065F3-00  | .WASHER, PLATE            | 1        |         |
| 15       | 97313-06025-00  | .BOLT                     | 1        |         |
| 16       | 95380-06700-00  | .NUT                      | 1        |         |
| 17       | 676-15741-03-00 | .PAWL, DRIVE              | 1        |         |
| 18       | 93430-06M02-00  | .CIRCLIP                  | 1        |         |
| 19       | 6J8-15705-00-00 | .SPRING, DRIVE PAWL       | 1        |         |
| 20       | 6A0-15789-00-00 | .DAMPER                   | 1        |         |
| 21       | 97013-06035-00  | BOLT                      | 1        |         |
| 22       | 92990-06600-00  | WASHER, PLATE             | 1        |         |
| 23       | 97313-06025-00  | BOLT                      | 2        |         |
| 24       | 92990-06600-00  | WASHER, PLATE             | 2        |         |
| 25       | 99530-10014-00  | PIN, DOWEL                | 1        |         |
| 26       | 656-15748-00-00 | PLUNGER, STARTER STOP     | 1        |         |
| 27       | 90501-10227-00  | SPRING, COMPRESSION       | 1        |         |
| 28       | 6L2-15770-00-00 | CABLE COMP., STARTER STOP | 1        |         |
| 29       | 6L2-15746-00-00 | ARM                       | 1        |         |
| 30       | 90387-06M51-00  | COLLAR                    | 1        |         |
| 31       | 97313-06020-00  | BOLT, HEXAGON             | 1        |         |
| 32       | 92995-06100-00  | WASHER, SPRING            | 1        |         |
| 33       | 6L2-15747-00-00 | LINK                      | 1        |         |
| 34       | 6L2-15774-00-00 | STAY 4                    | 1        |         |
| 35       | 90201-06M62-00  | WASHER, PLATE             | 1        |         |
| 36       | 661-41262-02-00 | JOINT, CHOKE LEVER        | 2        |         |
| 37       | 6L2-15772-00-94 | STAY 2                    | 1        |         |
| 38       | 97313-06020-00  | BOLT, HEXAGON             | 1        |         |
| 39       | 92990-06600-00  | WASHER, PLATE             | 1        |         |
| 40       | 97313-06020-00  | BOLT, HEXAGON             | 1        |         |
| 41       | 6L2-15723-00-00 | PULLEY, STARTER           | 1        |         |
| 42       | 97516-08212-00  | BOLT W/WASHER             | 3        |         |

## Part Notes

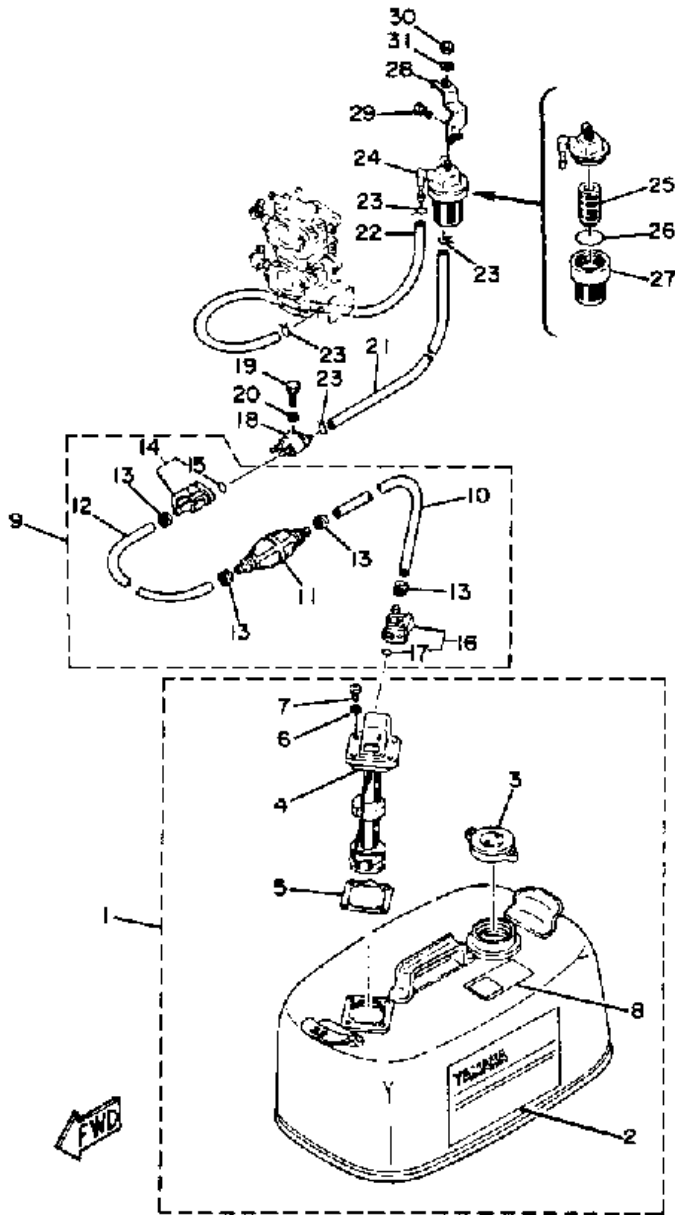
25ESG 1988 / MANUAL STARTER

| PART NUMBER    |   | NOTE TEXT  |
|----------------|---|--|
| 92990-06600-00 |  | OEM: This part number is among the Top 100 Most Popular Marine Maintenance Parts as of March 2014. |
| 92990-06600-00 |  | OEM: This part number is among the Top 100 Most Popular Marine Maintenance Parts as of March 2014. |
| 92990-06600-00 |  | OEM: This part number is among the Top 100 Most Popular Marine Maintenance Parts as of March 2014. |
| 92990-06600-00 |   | OEM: This part number is among the Top 100 Most Popular Marine Maintenance Parts as of March 2014. |



©2014 Yamaha Motor Corporation, U.S.A. All rights reserved.

25ESG 1988 / FUEL TANK



©2014 Yamaha Motor Corporation, U.S.A. All rights reserved.


## Part List

25ESG 1988 / FUEL TANK

| REF<br>-<br>NO | PART<br>NUMBER  | PART NAME               | QUANTITY | REMARKS  |
|----------------|-----------------|-------------------------|----------|----------|
| 1              | 6Y1-W2420-42-24 | FUEL TANK ASSEMBLY      | 1        |          |
| 2              | 6Y1-24244-20-00 | .GRAPHIC, SIDE          | 1        |          |
| 3              | 6Y1-24610-00-00 | .CAP ASSEMBLY           | 1        |          |
| 4              | 6Y1-24260-02-00 | .FUEL METER ASSEMBLY    | 1        |          |
| 5              | 6Y1-24268-00-00 | .GASKET, FUEL METER     | 1        |          |
| 6              | 6Y1-24329-00-00 | .SEAL                   | 4        |          |
| 7              | 98586-05016-00  | .SCREW, PAN HEAD        | 4        |          |
| 8              | 6Y1-24256-50-00 | .GRAPHIC, FUEL TANK     | 1        |          |
| 9              | 6Y1-24306-51-00 | .FUEL PIPE COMP 1       | 1        |          |
| 10             | 90445-11M06-00  | .HOSE (L2050)           | 1        | SEE NOTE |
| 11             | 6Y1-24360-51-00 | .PRIMER PUMP ASSY       | 1        |          |
| 12             | 90445-11M05-00  | .HOSE (L850)            | 1        | SEE NOTE |
| 13             | 650-24351-51-00 | .BAND 1                 | 4        |          |
| 14             | 6G1-24305-01-00 | .FUEL PIPE JOINT COMP 2 | 1        |          |
| 15             | 93210-08287-00  | ..O-RING                | 1        |          |
| 16             | 6Y1-24305-02-00 | .FUEL PIPE JOINT COMP 2 | 1        |          |
| 17             | 93210-08287-00  | ..O-RING                | 1        |          |
| 18             | 6G1-24304-02-00 | FUEL PIPE JOINT COMP. 1 | 1        |          |
| 19             | 97313-06020-00  | BOLT, HEXAGON           | 1        |          |
| 20             | 92990-06600-00  | WASHER, PLATE           | 1        |          |
| 21             | 6H4-24311-00-00 | PIPE, FUEL 1            | 1        |          |
| 22             | 90445-09M25-00  | HOSE (L600)             | 1        |          |
| 23             | 90467-08004-00  | CLIP                    | 4        |          |
| 24             | 655-24560-01-00 | FILTER ASSEMBLY         | 1        |          |
| 25             | 6F5-24563-00-00 | .ELEMENT, FILTER        | 1        |          |
| 26             | 93210-37M25-00  | ..O-RING                | 1        |          |
| 27             | 655-24521-01-00 | .CUP, FILTER            | 1        |          |
| 28             | 6L2-24566-00-00 | BRACKET, FILTER         | 1        |          |
| 29             | 97013-06012-00  | BOLT                    | 1        |          |
| 30             | 95333-08600-00  | NUT                     | 1        |          |
| 31             | 92990-08100-00  | WASHER, SPRING          | 1        |          |

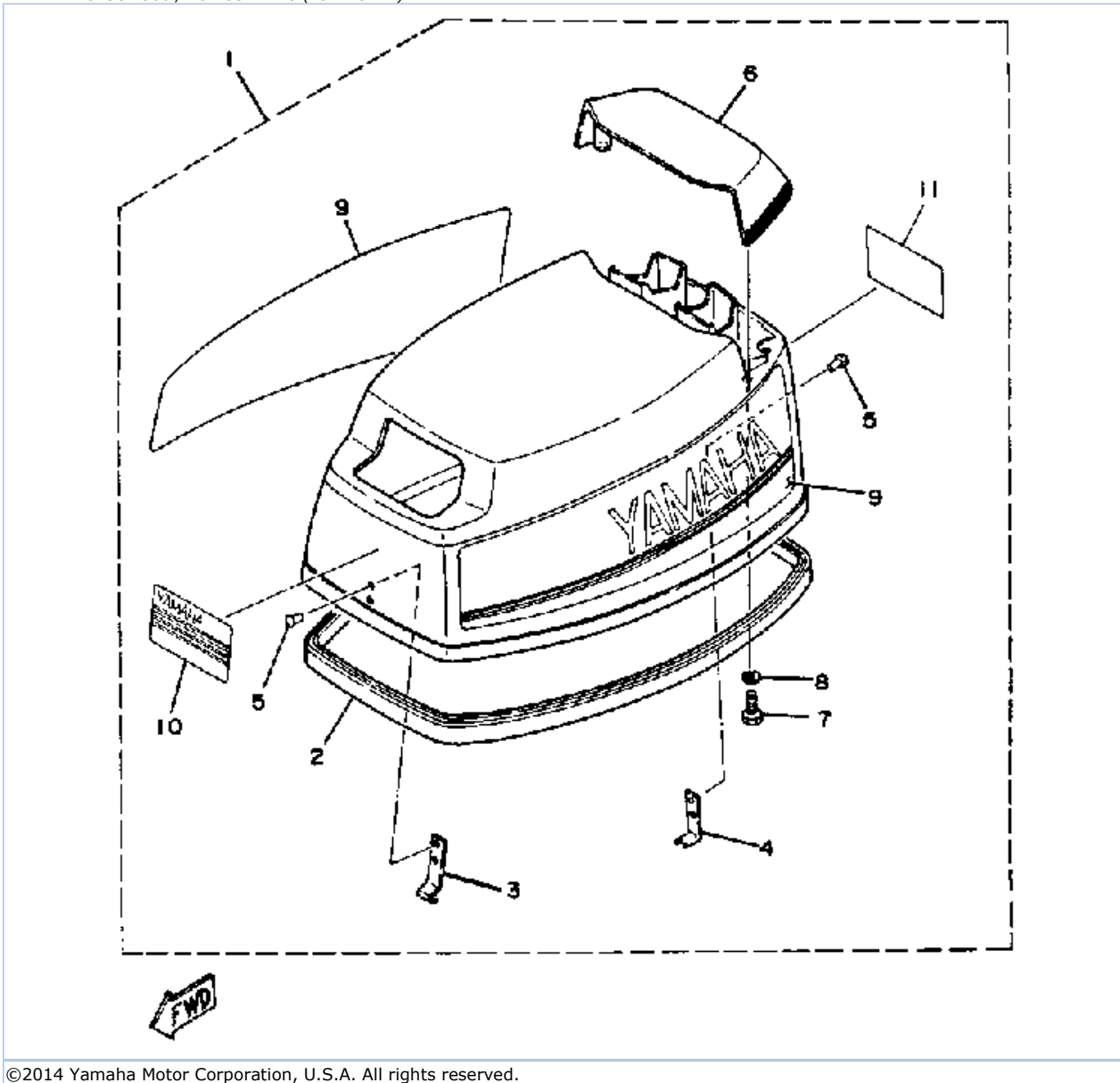
## Part Notes

25ESG 1988 / FUEL TANK

| PART NUMBER  | NOTE TEXT  |
|--|--|
| 92990-06600-00  | OEM: This part number is among the Top 100 Most Popular Marine Maintenance Parts as of March 2014. |

©2014 Yamaha Motor Corporation, U.S.A. All rights reserved.

25ESG 1988 / TOP COWLING (25E MODEL)



©2014 Yamaha Motor Corporation, U.S.A. All rights reserved.


## Part List

25ESG 1988 / TOP COWLING (25E MODEL)

| REF<br>-<br>NO | PART<br>NUMBER  | PART NAME                     | QUANTITY | REMARKS |
|----------------|-----------------|-------------------------------|----------|---------|
| 1              | 6L2-42610-W1-EK | TOP COWLING ASSEMBLY          | 1        |         |
| 2              | 6L2-42615-00-00 | .SEAL                         | 1        |         |
| 3              | [6G-14265-17-00 | .UNAVAILABLE IN PRICE<br>BOOK | 1        |         |
| 4              | 6G1-42647-00-00 | .HOLDER, CLAMP BAND           | 1        |         |
| 5              | 90266-04M00-00  | .RIVET                        | 4        |         |
| 6              | 6L2-42613-00-EK | .MOLDING, AIR DUCT            | 1        |         |
| 7              | 97313-06016-00  | .BOLT, HEXAGON                | 4        |         |
| 8              | 92990-06600-00  | .WASHER, PLATE                | 4        |         |
| 9              | 6L2-W0070-41-00 | .GRAPHIC SET                  | 1        |         |
| 10             | 689-42677-01-00 | .GRAPHIC, FRONT               | 1        |         |
| 11             | 695-42678-10-00 | .GRAPHIC, REAR                | 1        |         |

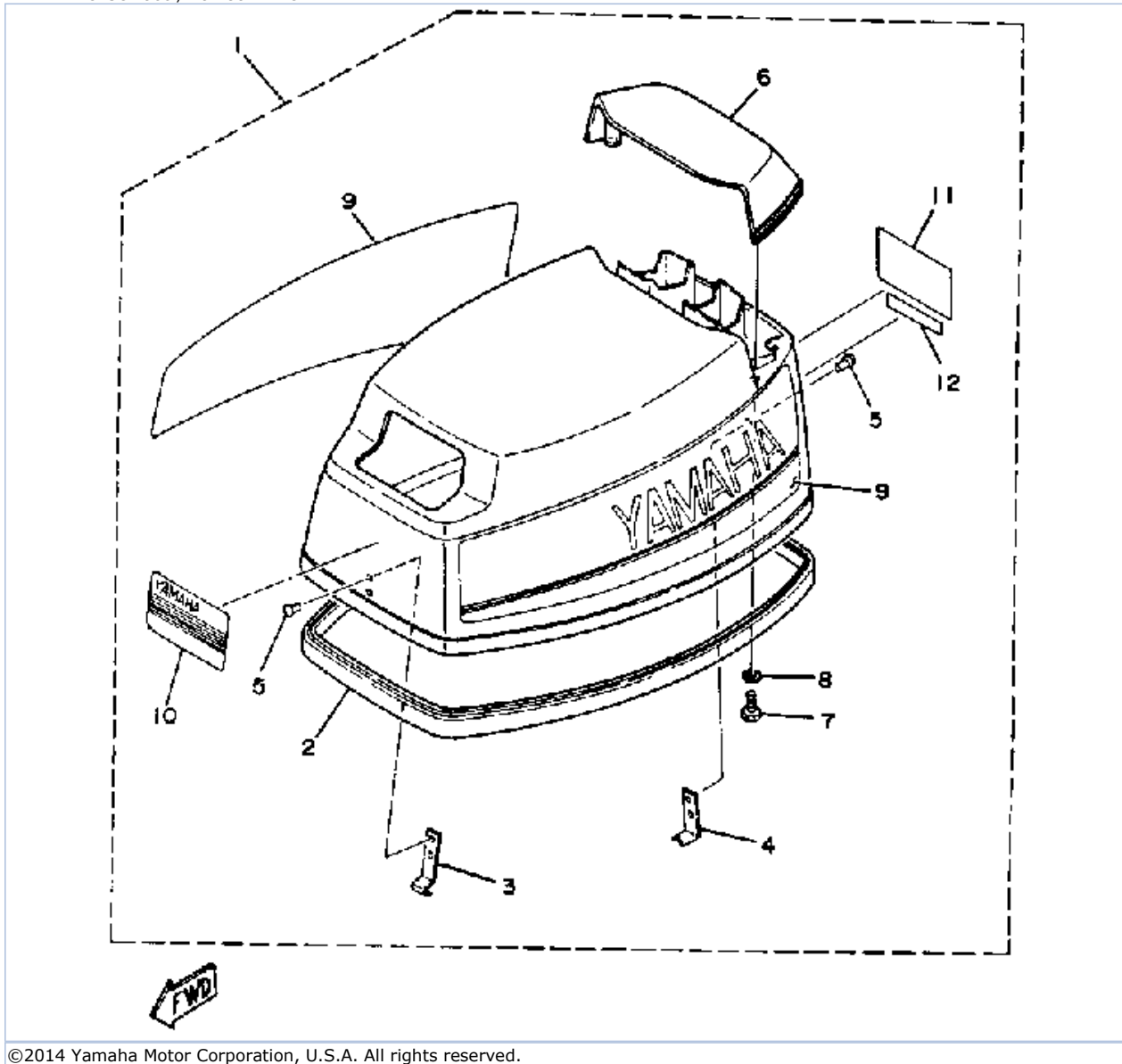
## Part Notes

25ESG 1988 / TOP COWLING (25E MODEL)

| PART NUMBER  | NOTE TEXT  |
|--|--|
| 92990-06600-00  | OEM: This part number is among the Top 100 Most Popular Marine Maintenance Parts as of March 2014. |

©2014 Yamaha Motor Corporation, U.S.A. All rights reserved.

25ESG 1988 / TOP COWLING



©2014 Yamaha Motor Corporation, U.S.A. All rights reserved.




## Part List

25ESG 1988 / TOP COWLING

| REF<br>-<br>NO | PART<br>NUMBER  | PART NAME                     | QUANTITY | REMARKS |
|----------------|-----------------|-------------------------------|----------|---------|
| 1              | 6L2-42610-40-EK | TOP COWLING ASSEMBLY          | 1        |         |
| 2              | 6L2-42615-00-00 | .SEAL                         | 1        |         |
| 3              | [6G-14265-17-00 | .UNAVAILABLE IN PRICE<br>BOOK | 1        |         |
| 4              | 6G1-42647-00-00 | .HOLDER, CLAMP BAND           | 1        |         |
| 5              | 90266-04M00-00  | .RIVET                        | 4        |         |
| 6              | 6L2-42613-00-EK | .MOLDING, AIR DUCT            | 1        |         |
| 7              | 97313-06016-00  | .BOLT, HEXAGON                | 4        |         |
| 8              | 92990-06600-00  | .WASHER, PLATE                | 4        |         |
| 9              | 6L2-W0070-41-00 | .GRAPHIC SET                  | 1        |         |
| 10             | 689-42677-01-00 | .GRAPHIC, FRONT               | 1        |         |
| 11             | 695-42678-10-00 | .GRAPHIC, REAR                | 1        |         |
| 12             | 6G1-42683-00-00 | .MARK, COWLING 3              | 1        |         |

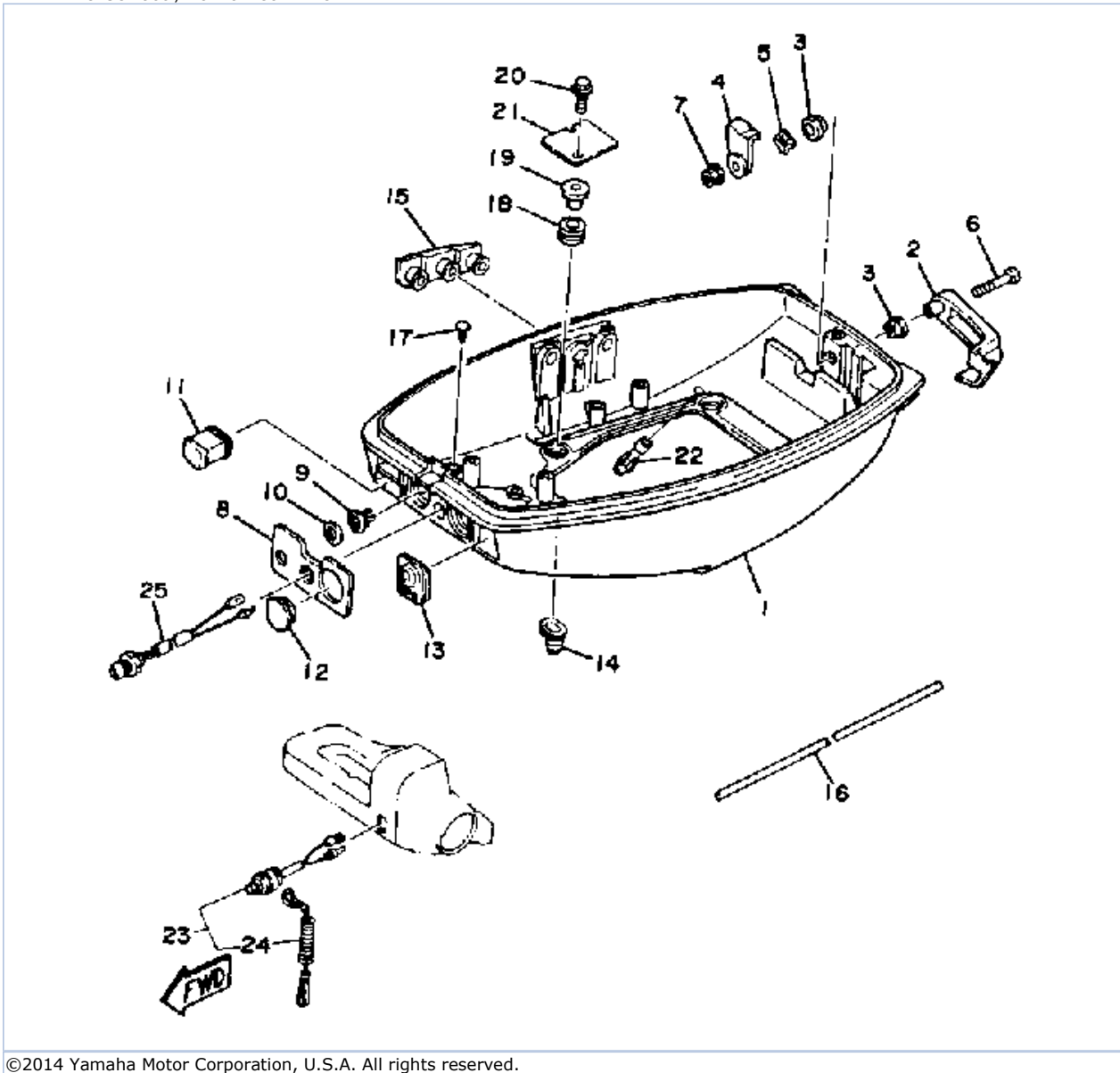
## Part Notes

25ESG 1988 / TOP COWLING

| PART NUMBER  | NOTE TEXT  |
|--|--|
| 92990-06600-00  | OEM: This part number is among the Top 100 Most Popular Marine Maintenance Parts as of March 2014. |

©2014 Yamaha Motor Corporation, U.S.A. All rights reserved.

25ESG 1988 / BOTTOM COWLING



©2014 Yamaha Motor Corporation, U.S.A. All rights reserved.


## Part List

25ESG 1988 / BOTTOM COWLING

| REF<br>-<br>NO | PART<br>NUMBER    | PART NAME  | QUANTITY | REMARKS      |
|----------------|-------------------|--|----------|--------------|
| 0              | 6L2-42719-B0-00   | PANEL, FRONT LOWER                                   | 1        | UR 25E MODEL |
| 1              | 6L2-42711-00-EK   | BOTTOM COWLING                                       | 1        |              |
| 2              | 6L2-42815-00-EK   | LEVER, CLAMP 1                                       | 1        |              |
| 3              | 90386-12M45-00    | BUSH   | 2        |              |
| 4              | 6E0-42816-00-00   | LEVER, CLAMP   | 1        |              |
| 5              | 90206-12052-00    | WASHER, WAVE   | 1        |              |
| 6              | 97890-06035-00    | .SCREW, PAN HEAD                                     | 1        |              |
| 7              | 95780-06300-00    | NUT, FLANGE  | 1        |              |
| 8              | 6L2-42719-00-00   | PANEL, FRONT LOWER                                   | 1        | UR 25 MODEL  |
| 9              | 689-41273-00-00   | GROMMET  | 1        |              |
| 10             | 6J8-41274-00-00   | GROMMET 2  | 1        |              |
| 11             | 6L2-42725-00-00   | GROMMET  | 1        |              |
| 12             | 6G1-42724-00-00   | GROMMET  | 1        |              |
| 13             | 6L2-42726-01-00   | GROMMET  | 1        |              |
| 14             | 6G1-42727-00-00   | GROMMET  | 1        |              |
| 15             | 6L2-42748-01-00   | GROMMET  | 1        |              |
| 16             | 6L2-42716-00-00   | RUBBER, SEAL 1                                       | 1        |              |
| 17             | 90338-05M03-00    | PLUG   | 2        |              |
| 18             | 90480-15M31-00    | GROMMET  | 4        |              |
| 19             | 90387-06M52-00    | COLLAR   | 4        |              |
| 20             | 90105-06M15-00    | BOLT, FLANGE   | 4        |              |
| 21             | (6L2-42738-00-00) | PLATE, FITTING                                       | 2        |              |
| 22             | 6H3-44391-01-00   | NIPPLE, HOSE   | 1        |              |
| 23             | 689-82575-03-00   | ENGINE STOP SWITCH<br>ASSEMBLY (689-82575-02-<br>00) | 1        |              |
| 24             | 682-82556-00-00   | .LANYARD, STOP SWITCH                                | 1        |              |
| 25             | 6J8-85410-00-00   | EMERGENCY SIGNAL LIGHT<br>ASSY                       | 1        |              |

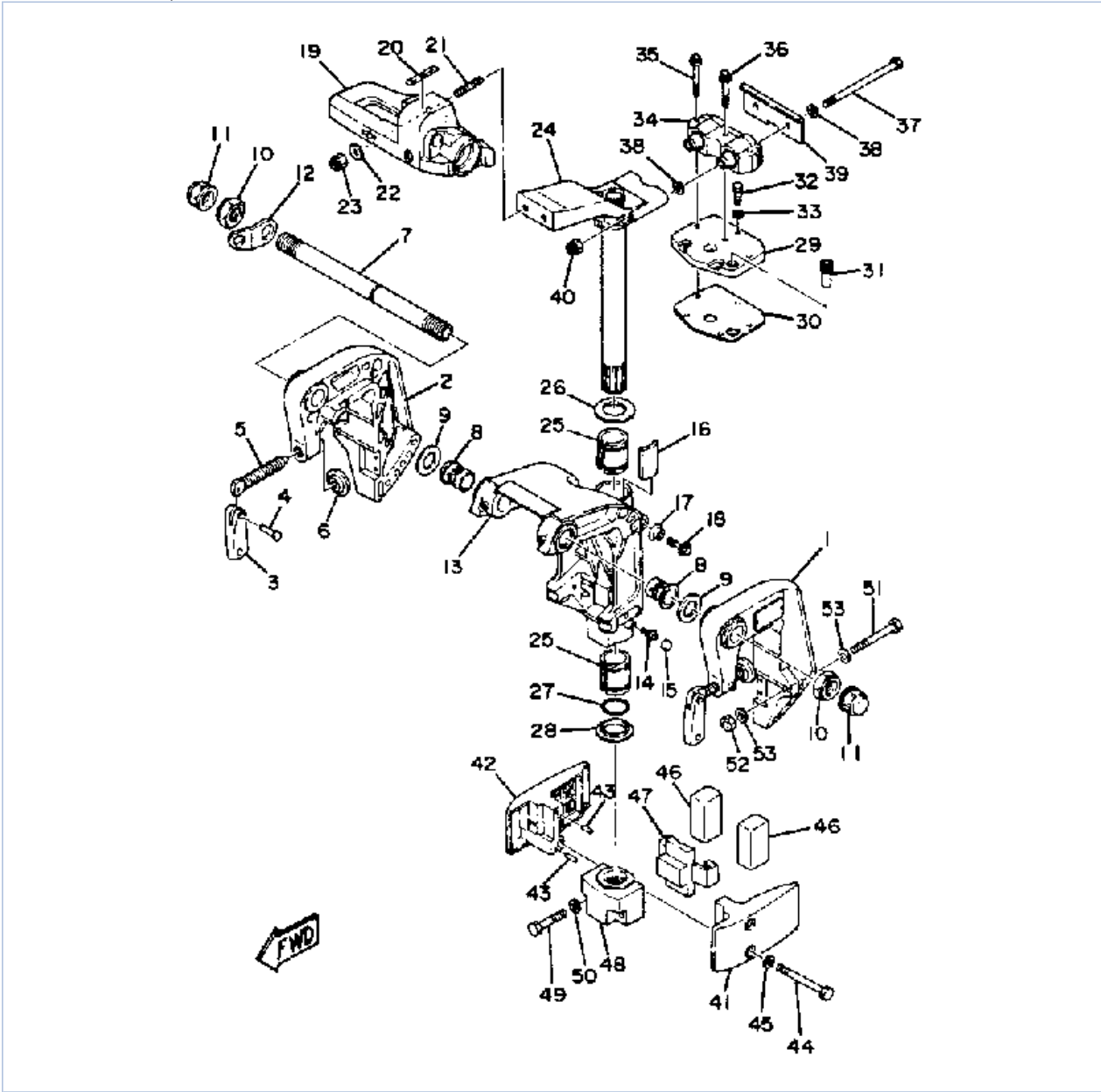
## Part Notes

25ESG 1988 / BOTTOM COWLING

| PART NUMBER   | NOTE TEXT  |
|---|--|
| 682-82556-00-00  | OEM: This part number is among the Top 100 Most Popular Marine Maintenance Parts as of March 2014. |

©2014 Yamaha Motor Corporation, U.S.A. All rights reserved.

25ESG 1988 / BRACKET 1



©2014 Yamaha Motor Corporation, U.S.A. All rights reserved.

## Part List



25ESG 1988 / BRACKET 1

| REF<br>-<br>NO | PART<br>NUMBER  | PART NAME                                   | QUANTITY | REMARKS |
|----------------|-----------------|---|----------|---------|
| 1              | 6L2-43111-02-EK | BRACKET, CLAMP                              | 1        |         |
| 2              | 6L2-43112-03-EK | BRACKET, CLAMP                              | 1        |         |
| 3              | 616-43118-00-EK | HANDLE, TRANSOM CLIP                        | 2        |         |
| 4              | 90243-04M00-00  | PIN   | 2        |         |
| 5              | 6L2-43116-00-00 | SCREW, TRANSOM CLAMP                        | 2        |         |
| 6              | 648-43114-01-00 | PAD, TRANSOM CLAMP                          | 2        |         |
| 7              | 6J8-43131-01-00 | BOLT, CLAMP BRACKET                         | 1        |         |
| 8              | 90386-22M67-00  | BUSH  | 2        |         |
| 9              | 90201-22428-00  | WASHER, PLATE                               | 2        |         |
| 10             | 90185-22043-00  | NUT, SELF-LOCKING                           | 2        |         |
| 11             | 6G5-43145-00-00 | CAP, CLAMP BRACKET                          | 2        |         |
| 12             | 6J8-43113-01-00 | PLATE, CLAMP BRACKET                        | 1        |         |
| 13             | 6L2-43311-09-EK | BRACKET, SWIVEL 1                           | 1        |         |
| 14             | 93700-06M03-00  | NIPPLE, GREASE                              | 1        |         |
| 15             | 663-45119-00-00 | CAP, GREASE NIPPLE                          | 1        |         |
| 16             | 6H4-42528-00-00 | PLATE, FRICTION                             | 1        |         |
| 17             | 689-43373-01-00 | SEAL, DAMPER                                | 1        |         |
| 18             | 90105-06M18-00  | BOLT, FLANGE                                | 1        |         |
| 19             | 6L2-42121-00-EK | BRACKET                                     | 1        |         |
| 20             | 6E0-44191-11-00 | INDICATOR, SHIFT                            | 1        |         |
| 21             | 90116-10M28-00  | BOLT, STUD                                  | 2        |         |
| 22             | 92990-10600-00  | WASHER, PLATE                               | 2        |         |
| 23             | 90185-10051-00  | NUT, SELF-LOCKING                           | 2        |         |
| 24             | 6L2-42510-00-EK | STEERING<br>BRACKETASSEMBLY                 | 1        |         |
| 25             | 90386-30M75-00  | BUSH  | 2        |         |
| 26             | 90201-30M00-00  | WASHER, PLATE                               | 1        |         |
| 27             | 93210-29375-00  | .O-RING                                     | 1        |         |
| 28             | 90386-30M60-00  | BUSH  | 1        |         |
| 28             | 6L2-44512-00-EK | COVER, UPPER MOUNT                          | 1        |         |
| 30             | 6L2-45114-00-00 | GASKET, UPPER CASNG                         | 1        |         |
| 31             | 6L2-44365-00-00 | DAMPER, WATER SEAL                          | 1        |         |
| 32             | 97395-06020-00  | BOLT, HEXAGON                               | 3        |         |
| 33             | 92990-06600-00  | WASHER, PLATE                               | 3        |         |
| 34             | 6L2-44514-00-00 | MOUNT DAMPER, UPPER<br>SIDE                 | 1        |         |
| 35             | 97515-06250-00  | BOLT, WITH WASHER                           | 2        |         |
| 36             | 97515-06240-00  | BOLT, WITH WASHER                           | 1        |         |
| 37             | 90101-08M09-00  | BOLT  | 2        |         |
| 38             | 90201-08M01-00  | .WASHER, PLATE                              | 4        |         |
| 39             | 6L2-44526-00-00 | PLATE                                       | 1        |         |
| 40             | 95780-08300-00  | ..NUT, FLANGE                               | 2        |         |
| 41             | 6L2-44551-00-EK | HOUSING, LWR,<br>MOUNTLOWER MOUNT<br>RUBBER | 1        |         |
| 42             | 6L2-44552-00-EK | HOUSING, LWR.MNT.LOWER<br>MOUNT RUBBER      | 1        |         |
| 43             | 93604-10M03-00  | PIN, DOWEL                                  | 2        |         |
| 44             | 97395-08085-00  | BOLT  | 2        |         |
| 45             | 92990-08600-00  | ..WASHER, PLATE                             | 2        |         |
| 46             | 6L2-44555-00-00 | MOUNT DAMPER, LOWER<br>SIDE                 | 2        |         |
| 47             | 6L2-44557-00-00 | MOUNT DAMPER, LOWER<br>FRONT                | 1        |         |
| 48             | 6L2-44553-00-EK | COVER, LWR.MOUNT                            | 1        |         |
| 49             | 97395-08045-00  | BOLT  | 2        |         |

|    |                |                 |   |  |
|----|----------------|-----------------|---|--|
| 50 | 92990-08600-00 | ..WASHER, PLATE | 2 |  |
| 51 | 97395-08070-00 | BOLT            | 2 |  |
| 52 | 95380-08600-00 | NUT             | 4 |  |
| 53 | 92990-08600-00 | ..WASHER, PLATE | 4 |  |

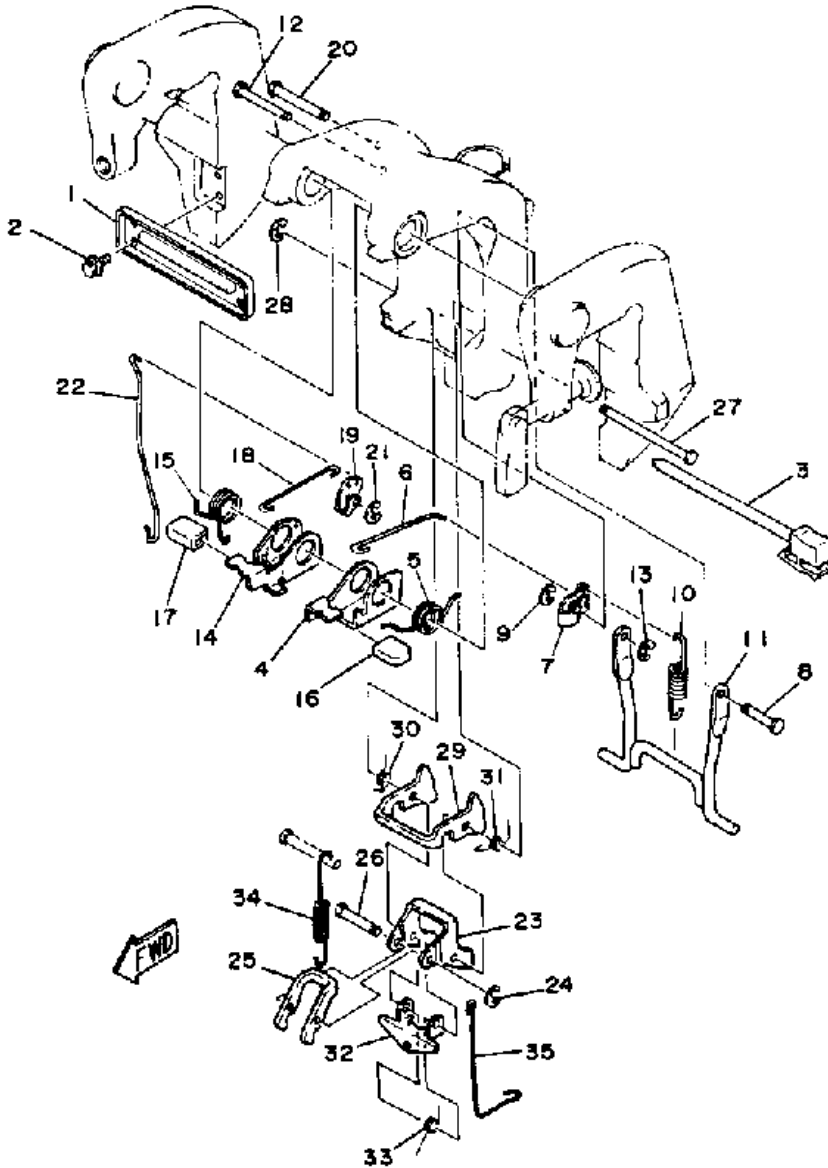
## Part Notes

25ESG 1988 / BRACKET 1

| PART NUMBER    |   | NOTE TEXT  |
|----------------|---|--|
| 92990-10600-00 |  | OEM: This part number is among the Top 100 Most Popular Marine Maintenance Parts as of March 2014. |
| 92990-06600-00 |  | OEM: This part number is among the Top 100 Most Popular Marine Maintenance Parts as of March 2014. |

©2014 Yamaha Motor Corporation, U.S.A. All rights reserved.

25ESG 1988 / BRACKET 2



©2014 Yamaha Motor Corporation, U.S.A. All rights reserved.

## Part List

25ESG 1988 / BRACKET 2

| REF<br>-<br>NO | PART<br>NUMBER  | PART NAME           | QUANTITY | REMARKS |
|----------------|-----------------|---------------------|----------|---------|
| 1              | 6L2-43165-00-00 | PLATE, TILT LOCK    | 1        |         |
| 2              | 97515-06210-00  | BOLT, WITH WASHER   | 4        |         |
| 3              | 6L2-43160-00-00 | TILT ROD ASSY       | 1        |         |
| 4              | 6L2-43681-00-00 | LEVER, SHALLOW WAT. | 1        |         |
| 5              | 6L2-43643-00-00 | SPRING              | 1        |         |
| 6              | 6L2-43616-00-00 | ROD, TILT LOCK 1    | 1        |         |
| 7              | 6L2-43682-00-00 | LEVER, SHALLOW WATR | 1        |         |
| 8              | 6L2-43191-00-00 | SHAFT, STOPPER      | 1        |         |
| 9              | 99080-05600-00  | CIRCLIP             | 1        |         |
| 10             | 90506-20M27-00  | SPRING, TENSION     | 1        |         |
| 11             | 6L2-43350-00-00 | RECIEVER ASSEMBLY   | 1        |         |
| 12             | 6L2-43646-00-00 | SHAFT, LEVER        | 1        |         |
| 13             | 99080-05600-00  | CIRCLIP             | 1        |         |
| 14             | 6L2-43631-00-00 | LEVER, TILT         | 1        |         |
| 15             | 6L2-43188-00-00 | SPRING              | 1        |         |
| 16             | 6L2-43633-00-00 | COVER, TILT LEVER   | 1        |         |
| 17             | 6L2-43633-10-00 | COVER, TILT LEVER   | 1        |         |
| 18             | 6L2-43611-00-00 | SHAFT, TILT LOCK    | 1        |         |
| 19             | 6L2-43641-00-00 | LEVER, TILT         | 1        |         |
| 20             | 6L2-43659-00-00 | SHAFT, REVERSE LOCK | 1        |         |
| 21             | 99080-05600-00  | CIRCLIP             | 1        |         |
| 22             | 6L2-43617-00-00 | ROD, TILT LOCK      | 1        |         |
| 23             | 6L2-43613-00-00 | ARM, TILT LOCK      | 1        |         |
| 24             | 99080-05600-00  | CIRCLIP             | 1        |         |
| 25             | 6L2-43624-00-00 | PLATE, TILT ROCK    | 1        |         |
| 26             | 6L2-43336-00-00 | PIN                 | 1        |         |
| 27             | 6J8-43611-01-00 | SHAFT, TILT LOCK    | 1        |         |
| 28             | 99080-05600-00  | CIRCLIP             | 1        |         |
| 29             | 6L2-43614-00-00 | PLATE, TILT LOCK    | 1        |         |
| 30             | 90508-12M28-00  | SPRING, TORSION     | 1        |         |
| 31             | 90508-12M29-00  | SPRING, TORSION     | 1        |         |
| 32             | 6L2-43615-00-00 | PLATE, TILT LOCK    | 1        |         |
| 33             | 90506-23M11-00  | SPRING, TENSION     | 1        |         |
| 34             | 6L2-43657-00-00 | SPRING, LOCK        | 1        |         |
| 35             | 6L2-43676-00-00 | HOOK                | 1        |         |







## Part List

25ESG 1988 / STEERING

| REF<br>-<br>NO | PART<br>NUMBER  | PART NAME                         | QUANTITY | REMARKS |
|----------------|-----------------|-----------------------------------|----------|---------|
| 1              | 6L2-W0084-00-EK | TILLER, HANDLE KIT                | 1        |         |
| 2              | 6G1-42111-03-EK | HANDLE, STEERING                  | 1        |         |
| 3              | 90206-35M20-00  | WASHER, WAVE                      | 1        |         |
| 4              | 90202-35M24-00  | WASHER, PLATE                     | 1        |         |
| 5              | 90386-34M40-00  | BUSH                              | 1        |         |
| 6              | 90386-43M55-00  | BUSHING                           | 1        |         |
| 7              | 6G1-42131-01-00 | COVER, HANDLE STEERING            | 1        |         |
| 8              | 97395-06016-00  | BOLT, HEX                         | 1        |         |
| 9              | 6G1-42125-01-00 | BOLT, FRICTION ADJUSTING          | 1        |         |
| 10             | 6G1-42126-00-00 | FRICTION, STEERING<br>HANDLE GRIP | 1        |         |
| 11             | 91490-16010-00  | PIN. COTTER                       | 1        |         |
| 12             | 90202-05088-00  | WASHER, PLATE                     | 1        |         |
| 13             | 664-42119-00-00 | GRIP, STEERING HANDLE             | 1        |         |
| 14             | 6G1-42177-00-00 | RUBBER, HANDLE                    | 1        |         |
| 15             | 6L2-42137-00-00 | INDICATOR, THROTTLE               | 1        |         |
| 16             | 90269-02M09-00  | RIVET                             | 1        |         |
| 17             | 90501-23215-00  | SPRING, COMPRESSION               | 1        |         |
| 18             | 92990-10600-00  | WASHER, PLATE                     | 1        |         |
| 19             | 90149-05M13-00  | SCREW                             | 1        |         |
| 20             | 90386-08032-00  | BUSH                              | 1        |         |
| 21             | 6G1-42138-01-00 | LEVER, THROTTLE                   | 1        |         |
| 22             | 6E0-42159-02-00 | STAY                              | 1        |         |
| 23             | 98580-05012-00  | .SCREW, PAN HEAD                  | 2        |         |
| 24             | 6L2-26301-00-00 | THROTTLE CABLE ASSY               | 2        |         |
| 25             | 6L2-44111-00-94 | HANDLE, GEAR SHIFT                | 1        |         |
| 26             | 90386-15M73-00  | BUSH                              | 2        |         |
| 27             | 90206-15M18-00  | WASHER, WAVE                      | 1        |         |
| 28             | 90202-15M37-00  | WASHER, PLATE                     | 1        |         |
| 29             | 90386-12M72-00  | BUSH                              | 1        |         |
| 30             | 6L2-44125-00-00 | LEVER, SHIFT ROD 2                | 1        |         |
| 31             | 97395-06020-00  | BOLT, HEXAGON                     | 1        |         |
| 32             | 92990-06600-00  | WASHER, PLATE                     | 1        |         |
| 33             | 90202-06009-00  | WASHER, PLATE                     | 2        |         |
| 34             | 91490-20015-00  | PIN. COTTER                       | 1        |         |
| 35             | 6L2-44124-00-00 | LINK, SHIFT ROD                   | 1        |         |
| 36             | 6L2-26363-00-00 | END, CABLE                        | 1        |         |
| 37             | 95380-06700-00  | NUT                               | 1        |         |
| 38             | 90202-05088-00  | WASHER, PLATE                     | 2        |         |
| 39             | 90202-05M38-00  | WASHER, PLATE                     | 1        |         |
| 40             | 90468-05M03-00  | CLIP                              | 1        |         |

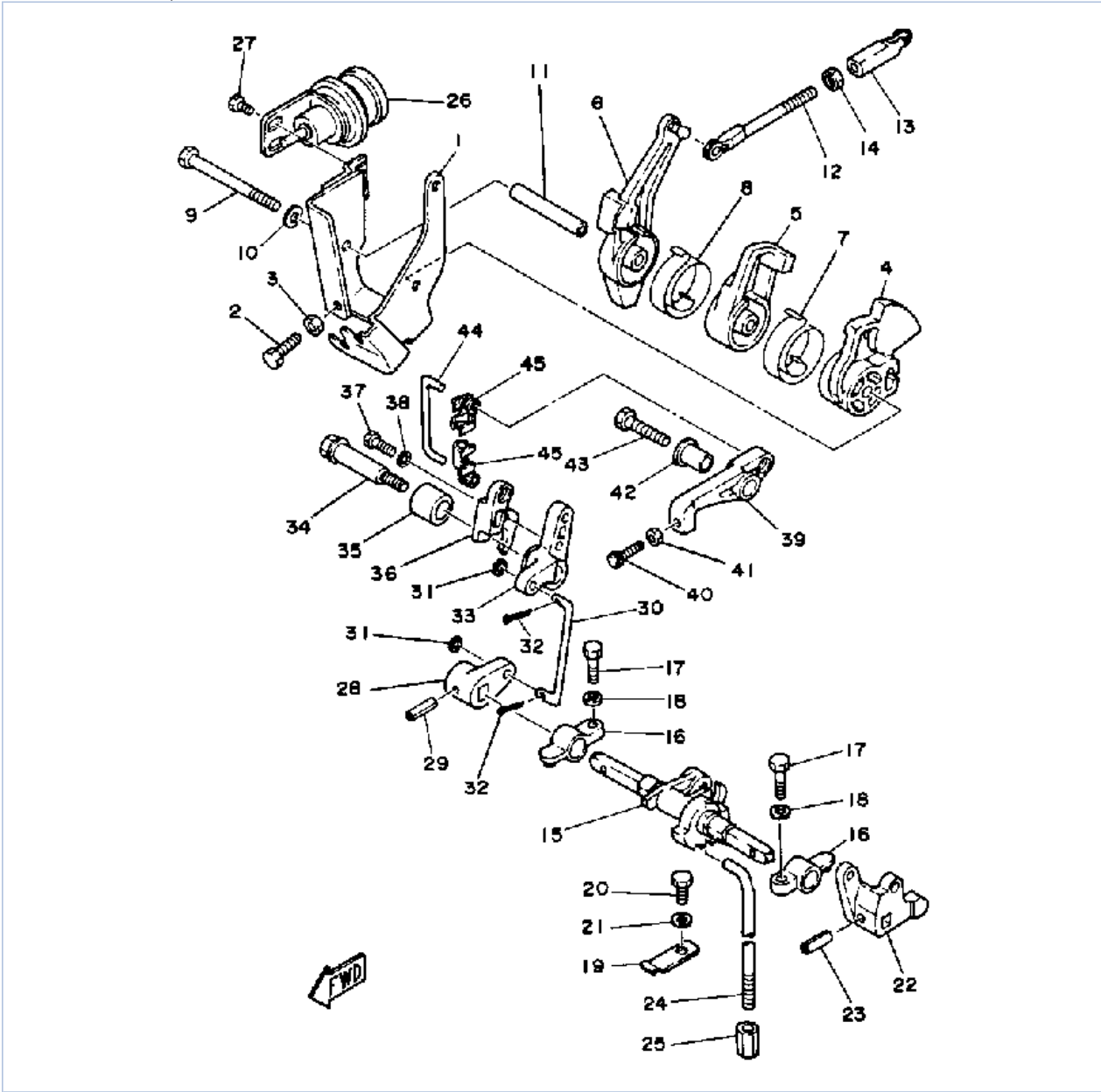
## Part Notes

25ESG 1988 / STEERING

| PART NUMBER  | NOTE TEXT  |
|--|--|
| 92990-10600-00  | OEM: This part number is among the Top 100 Most Popular Marine Maintenance Parts as of March 2014. |
| 92990-06600-00  | OEM: This part number is among the Top 100 Most Popular Marine Maintenance Parts as of March 2014. |

©2014 Yamaha Motor Corporation, U.S.A. All rights reserved.

25ESG 1988 / CONTROL ENGINE



©2014 Yamaha Motor Corporation, U.S.A. All rights reserved.



## Part List



25ESG 1988 / CONTROL ENGINE

| REF - NO | PART NUMBER     | PART NAME                | QUANTITY | REMARKS |
|----------|-----------------|--------------------------|----------|---------|
| 1        | 6L2-14497-00-00 | STAY, THROTTLE WIRE      | 1        |         |
| 2        | 97313-06020-00  | BOLT, HEXAGON            | 1        |         |
| 3        | 95380-06700-00  | NUT                      | 1        |         |
| 4        | 6L2-41213-00-00 | CAM, ACCEL.              | 1        |         |
| 5        | 6L2-41283-00-00 | LEVER, FREE ACCEL.       | 1        |         |
| 6        | 6L2-41631-00-00 | LEVER, MAGNETO CONTROL   | 1        |         |
| 7        | 6J8-42167-00-00 | SPRING 1                 | 1        |         |
| 8        | 6L2-42167-00-00 | SPRING 1                 | 1        |         |
| 9        | 97313-06075-00  | BOLT (6L2)               | 1        |         |
| 10       | 92990-06600-00  | WASHER, PLATE            | 1        |         |
| 11       | 90387-06M18-00  | COLLAR                   | 1        |         |
| 12       | 689-42169-01-00 | JOINT                    | 1        |         |
| 13       | 6H1-41237-00-00 | JOINT, LINK              | 1        |         |
| 14       | 95380-05600-00  | NUT                      | 1        |         |
| 15       | 6L2-44121-00-00 | LEVER, SHIFT ROD         | 1        |         |
| 16       | 6G1-41662-01-94 | BRACKET 2                | 2        |         |
| 17       | 97313-06020-00  | BOLT, HEXAGON            | 2        |         |
| 18       | 92990-06600-00  | WASHER, PLATE            | 2        |         |
| 19       | 6G1-44116-01-00 | SPRING                   | 1        |         |
| 20       | 97395-06012-00  | BOLT                     | 1        |         |
| 21       | 92990-06600-00  | WASHER, PLATE            | 1        |         |
| 22       | 6L2-44123-00-00 | ARM, SHIFT ROD           | 1        |         |
| 23       | 91690-30318-00  | PIN, SPRING              | 1        |         |
| 24       | 6L2-44143-00-00 | ROD, SHIFT               | 1        |         |
| 25       | 90170-06015-00  | NUT                      | 1        |         |
| 26       | 6L2-14368-00-00 | DIAPHRAGM ASSY 1         | 1        |         |
| 27       | 97313-06008-00  | BOLT, HEXAGON            | 2        |         |
| 28       | 6L2-44122-00-00 | BUSHING, SHIFT ROD LEVER | 1        |         |
| 29       | 91690-30318-00  | PIN, SPRING              | 1        |         |
| 30       | 6L2-42192-00-00 | ROD 2                    | 1        |         |
| 31       | 90202-05088-00  | WASHER, PLATE            | 2        |         |
| 32       | 91490-20015-00  | PIN. COTTER              | 2        |         |
| 33       | 6L2-44141-01-00 | LINK, SHIFT ROD          | 1        |         |
| 34       | 90109-06M28-00  | BOLT                     | 1        |         |
| 35       | 6L2-44139-00-00 | COLLAR                   | 1        |         |
| 36       | 6L2-44141-10-94 | LINK, SHIFT ROD          | 1        |         |
| 37       | 97313-05016-00  | BOLT, HEXAGON            | 1        |         |
| 38       | 92990-05600-00  | WASHER, PLATE            | 1        |         |
| 39       | 6L2-44114-10-00 | STOPPER                  | 1        |         |
| 40       | 90149-06M09-00  | SCREW                    | 1        |         |
| 41       | 95380-06700-00  | NUT                      | 1        |         |
| 42       | 90387-06M15-00  | COLLAR                   | 1        |         |
| 43       | 97313-06030-00  | BOLT                     | 1        |         |
| 44       | 6L2-42192-10-00 | ROD 2                    | 1        |         |
| 45       | 6F5-41237-00-00 | JOINT, LINK              | 2        |         |

## Part Notes

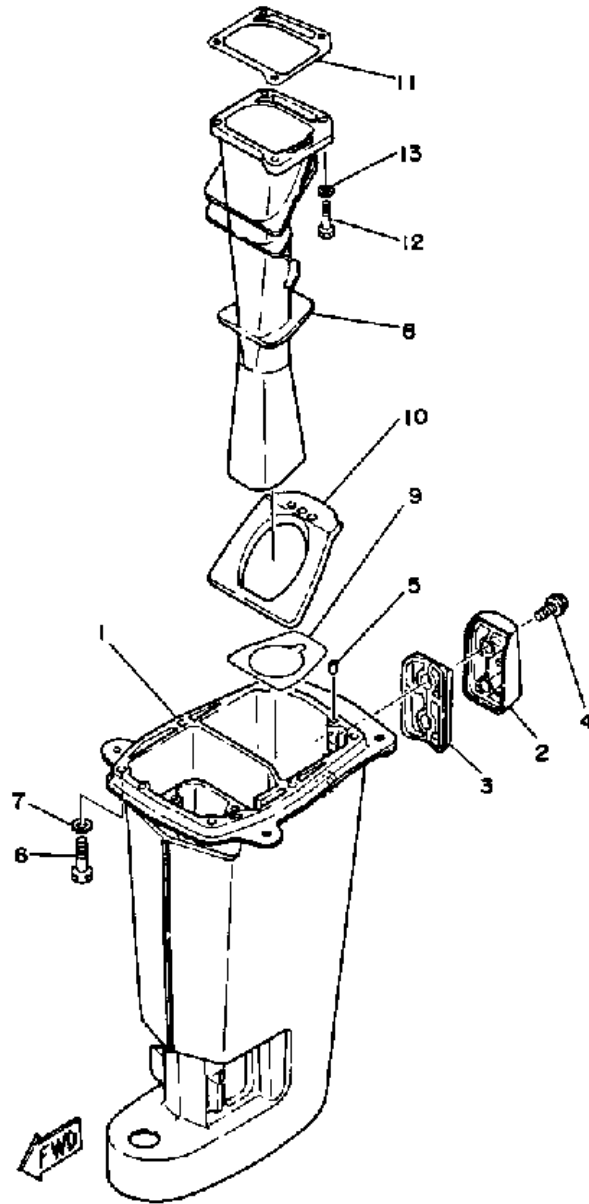
25ESG 1988 / CONTROL ENGINE

| PART NUMBER     |   | NOTE TEXT  |
|-----------------|---|--|
| 92990-06600-00  |  | OEM: This part number is among the Top 100 Most Popular Marine Maintenance Parts as of March 2014. |
| 6H1-41237-00-00 |  | OEM: This part number is among the Top 100 Most Popular Marine Maintenance Parts as of March 2014. |

|                |   |  |
|----------------|---|--|
| 92990-06600-00 |  | OEM: This part number is among the Top 100 Most Popular Marine Maintenance Parts as of March 2014. |
| 92990-06600-00 |  | OEM: This part number is among the Top 100 Most Popular Marine Maintenance Parts as of March 2014. |

©2014 Yamaha Motor Corporation, U.S.A. All rights reserved.

25ESG 1988 / UPPER CASING



©2014 Yamaha Motor Corporation, U.S.A. All rights reserved.


## Part List

25ESG 1988 / UPPER CASING

| REF<br>-<br>NO | PART<br>NUMBER    | PART NAME                      | QUANTITY | REMARKS  |
|----------------|-------------------|--------------------------------|----------|----------|
| 1              | 6L2-45111-01-EK   | CASING, UPPER                  | 1        | UR SHORT |
| 1              | 6L2-45111-11-EK   | CASING, UPPER                  | 1        | UR LONG  |
| 2              | (6L2-45151-00-00) | COVER, UPPER CASING            | 1        |          |
| 3              | 6L2-45115-00-00   | GASKET, UPPER CASING           | 1        |          |
| 4              | 90159-06M11-00    | SCREW, WITH WASHER             | 2        |          |
| 5              | 93604-10M03-00    | PIN, DOWEL                     | 2        |          |
| 6              | 97395-08030-00    | BOLT                           | 6        |          |
| 7              | 92990-08600-00    | ..WASHER, PLATE                | 6        |          |
| 8              | (6L2-41131-00-9M) | EXHAUST MANIFOLD 1             | 1        |          |
| 9              | 6L2-41134-00-00   | .GASKET, EXHAUST<br>MANIFOLD   | 1        |          |
| 10             | 6L2-45123-00-00   | GASKET, MUFFLER                | 1        |          |
| 11             | 6L2-41133-A1-00   | .GASKET, EXHAUST<br>MANIFOLD 1 | 1        |          |
| 12             | 97395-06020-00    | BOLT, HEXAGON                  | 4        |          |
| 13             | 92990-06600-00    | WASHER, PLATE                  | 4        |          |

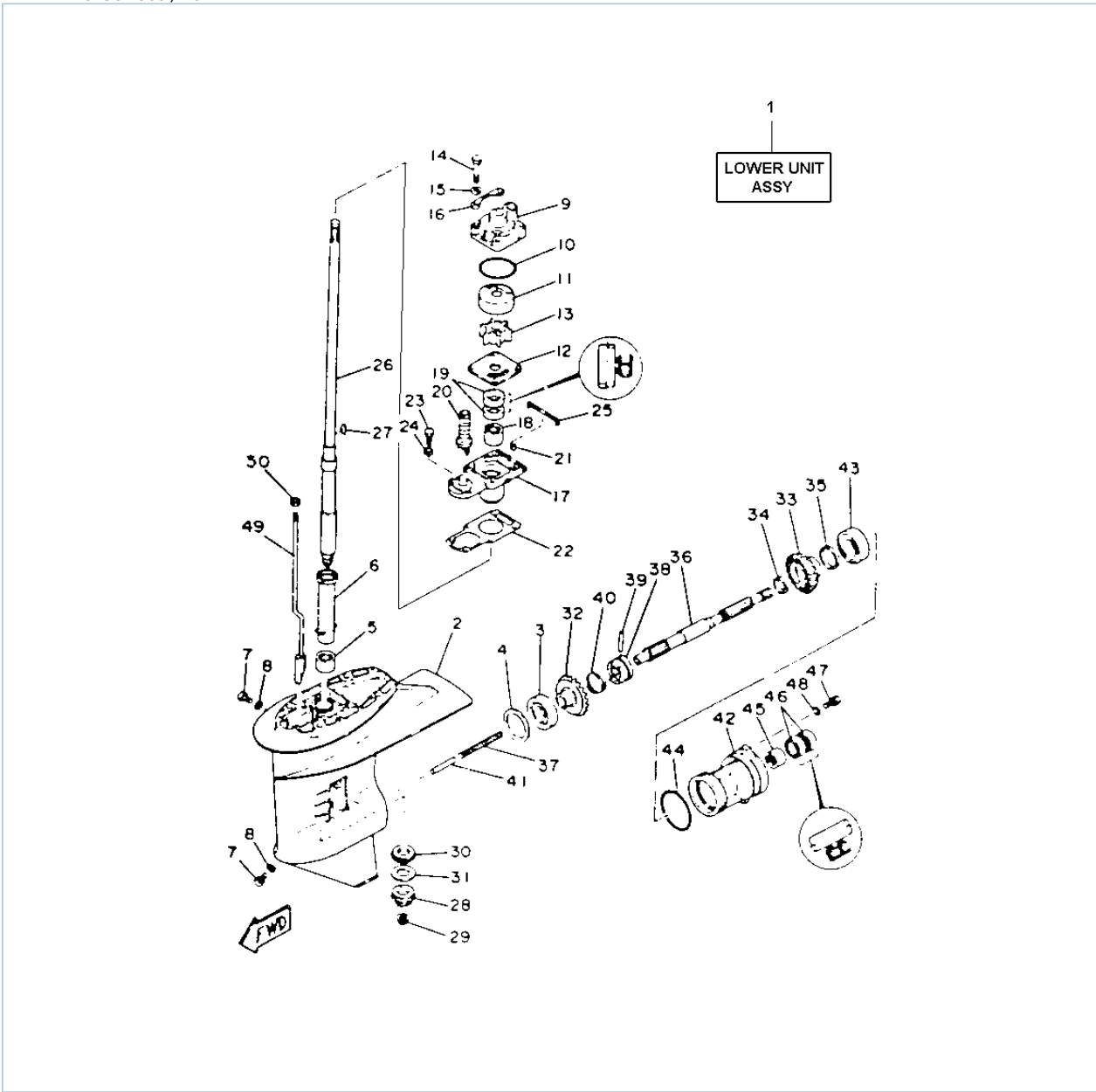
## Part Notes

25ESG 1988 / UPPER CASING

| PART NUMBER  | NOTE TEXT  |
|--|--|
| 92990-06600-00  | OEM: This part number is among the Top 100 Most Popular Marine Maintenance Parts as of March 2014. |

©2014 Yamaha Motor Corporation, U.S.A. All rights reserved.

25ESG 1988 / LOWER DRIVE 1



©2014 Yamaha Motor Corporation, U.S.A. All rights reserved.



## Part List





25ESG 1988 / LOWER DRIVE 1

| REF - NO | PART NUMBER       | PART NAME               | QUANTITY | REMARKS  |
|----------|-------------------|-------------------------|----------|----------|
| 1        | 6L2-45300-02-EK   | LOWER UNIT ASSEMBLY     | 1        | UR SHORT |
| 1        | 6L2-45300-12-EK   | LOWER UNIT ASSEMBLY     | 1        | UR LONG  |
| 2        | 99999-02022-00    | CASING, LOWER           | 1        |          |
| 2        | 6L2-45311-01-EK   | CASING, LOWER           | 1        |          |
| 2        | 99999-02234-00    | CAP, LOWER CASING       | 1        |          |
| 3        | 93332-00005-00    | BEARING                 | 1        |          |
| 4        | 6L2-45567-00-10   | SHIM (T:1.0MM)          | 1        | UR       |
| 4        | 6L2-45567-00-11   | SHIM (T:1.1MM)          | 1        | UR       |
| 4        | 6L2-45567-00-14   | SHIM (T:1.4MM)          | 1        | UR       |
| 4        | 6L2-45567-00-13   | SHIM (T:1.3MM)          | 1        | UR       |
| 4        | 6L2-45567-00-12   | SHIM (T:1.2MM)          | 1        | UR       |
| 5        | 93315-220V9-00    | BEARING                 | 1        |          |
| 6        | 6L2-45536-00-00   | SLEEVE, DRIVE SHAFT     | 1        |          |
| 7        | 90340-08M04-00    | PLUG, STRAIGHT SCREW    | 2        |          |
| 8        | 90430-08020-00    | .GASKET                 | 2        |          |
| 9        | 6L2-44311-00-00   | HOUSING, WATER PUMP     | 1        |          |
| 10       | 93210-45161-00    | .O-RING                 | 1        |          |
| 11       | 6L2-44322-00-00   | .INSERT, CARTRIDGE      | 1        |          |
| 12       | 6L2-44323-00-00   | .OUTER PLATE, CARTRIDGE | 1        |          |
| 13       | 6L2-44352-00-00   | .IMPELLER               | 1        |          |
| 14       | 97395-06040-00    | .BOLT                   | 4        |          |
| 15       | 92990-06600-00    | .WASHER, PLATE          | 4        |          |
| 16       | 6L2-44328-00-00   | PLATE                   | 2        |          |
| 17       | 6L2-45331-00-9M   | HOUSING BEARING         | 1        |          |
| 18       | 93315-22004-00    | BEARING                 | 1        |          |
| 19       | 93101-20048-00    | .OIL SEAL               | 2        |          |
| 20       | 6L2-44147-00-00   | BOOT, SHIFT ROD         | 1        |          |
| 21       | 93604-10M03-00    | PIN, DOWEL              | 2        |          |
| 22       | 6L2-45315-00-00   | .PACKING, LOWER CASE    | 1        |          |
| 23       | 97395-06020-00    | .BOLT, HEXAGON          | 2        |          |
| 24       | 92990-06600-00    | .WASHER, PLATE          | 2        |          |
| 25       | 6L2-45375-00-00   | DAMPER, SEAL            | 1        |          |
| 26       | 6L2-45510-00-00   | DRIVE SHAFT ASSY        | 1        | UR SHORT |
| 26       | 6L2-45510-10-00   | DRIVE SHAFT ASSY        | 1        | UR LONG  |
| 27       | 90280-03024-00    | .KEY, WOODRUFF          | 1        |          |
| 28       | 99999-01990-00    | PINION (6L2-45551-00)   | 1        |          |
| 28       | 6L2-45551-01-00   | PINION (13T)            | 1        |          |
| 28       | 93341-320U0-00    | BEARING                 | 1        |          |
| 29       | 90179-10M14-00    | NUT                     | 1        |          |
| 30       | 93341-220U7-00    | BEARING, FLAT #41       | 1        |          |
| 31       | (6L2-45587-00-14) | SHIM (14MM)             | 1        | UR       |
| 31       | 6L2-45587-00-15   | SHIM (T:1.5MM)          | 1        | UR       |
| 31       | (6L2-45587-00-17) | SHIM 3                  | 1        | UR       |
| 31       | 6L2-45587-00-16   | SHIM (T:1.6MM)          | 1        | UR       |
| 32       | 6L2-45560-00-00   | GEAR                    | 1        |          |
| 33       | 6L2-45571-00-00   | GEAR 2 (27T)            | 1        |          |
| 34       | 90201-20417-00    | WASHER, PLATE           | 1        |          |
| 35       | 6L2-45577-00-11   | SHIM (T:1.1MM)          | 1        | UR       |
| 35       | 6L2-45577-00-10   | SHIM (T:1.0MM)          | 1        | UR       |
| 35       | 6L2-45577-00-12   | SHIM (T:1.2MM)          | 1        | UR       |
| 35       | 6L2-45577-00-13   | SHIM (T:1.3MM)          | 1        | UR       |
| 36       | 6L2-45611-00-00   | SHAFT, PROPELLER        | 1        |          |
| 37       | 90501-10065-00    | SPRING, COMPRESSION     | 1        |          |

|    |                 |                   |   |          |
|----|-----------------|-------------------|---|----------|
| 38 | 6L2-45631-00-00 | CLUTCH, DOG       | 1 |          |
| 39 | 90250-05010-00  | PIN, STRAIGHT     | 1 |          |
| 40 | 648-45633-00-00 | RING, CROSS PIN   | 1 |          |
| 41 | 648-45635-00-00 | PLUNGER, SHIFT    | 1 |          |
| 42 | 6L2-45361-00-EK | CAP, LOWER CASING | 1 |          |
| 43 | 93306-00612-00  | BEARING           | 1 |          |
| 44 | 93210-60MA3-00  | .O-RING           | 1 |          |
| 45 | 93315-22004-00  | BEARING           | 1 |          |
| 46 | 93101-20M07-00  | .OIL SEAL         | 2 |          |
| 47 | 97395-06020-00  | .BOLT, HEXAGON    | 2 |          |
| 48 | 92990-06600-00  | .WASHER, PLATE    | 2 |          |
| 49 | 6L2-44150-10-00 | SHIFT CAM ASSY    | 1 | UR LONG  |
| 49 | 6L2-44150-00-00 | SHIFT CAM ASSY    | 1 | UR SHORT |
| 50 | 95380-06700-00  | NUT               | 1 |          |

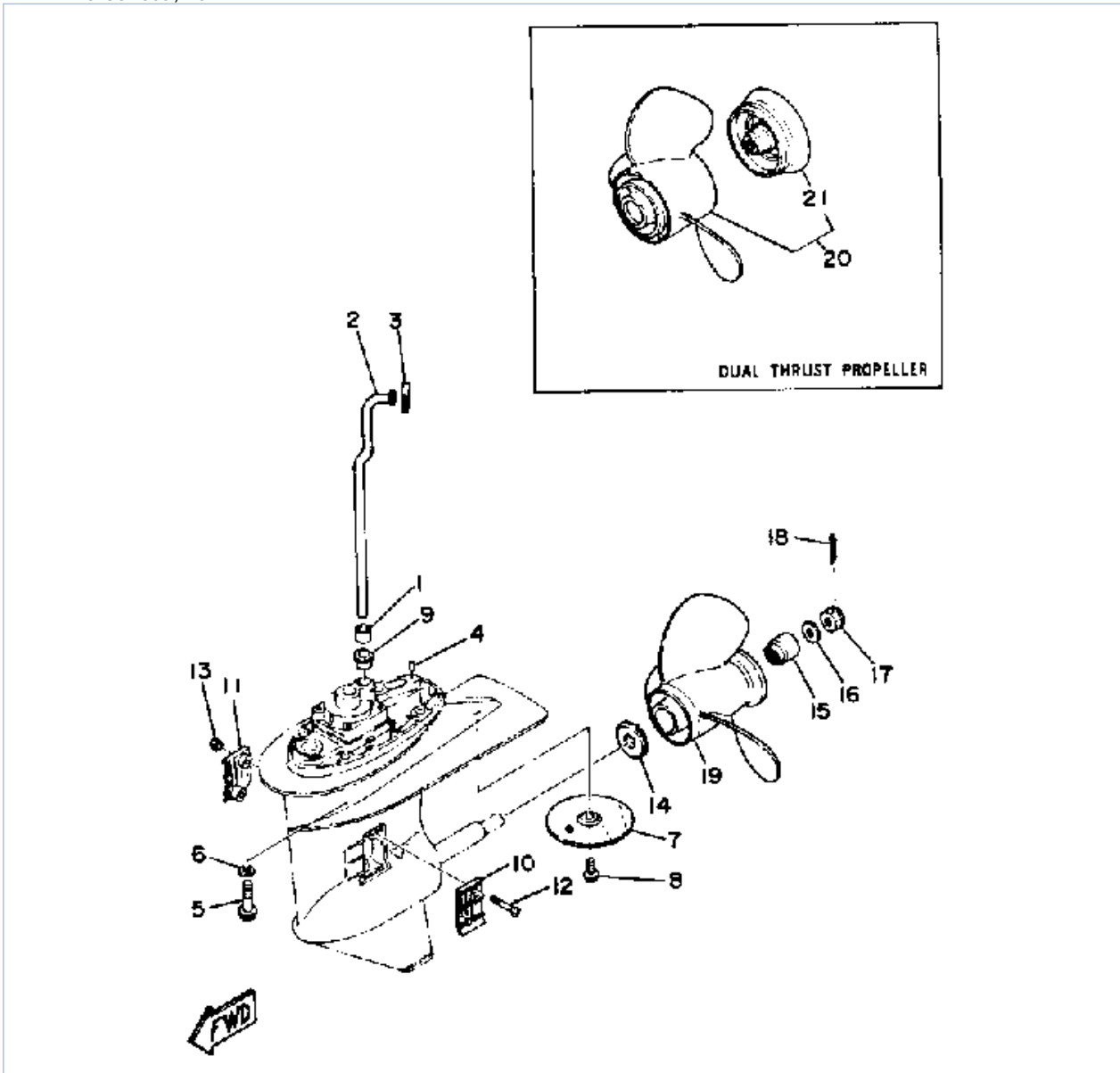
## Part Notes

25ESG 1988 / LOWER DRIVE 1

| PART NUMBER    |   | NOTE TEXT  |
|----------------|---|--|
| 90430-08020-00 |  | OEM: This part number is among the Top 100 Most Popular Marine Maintenance Parts as of March 2014. |
| 92990-06600-00 |  | OEM: This part number is among the Top 100 Most Popular Marine Maintenance Parts as of March 2014. |
| 92990-06600-00 |  | OEM: This part number is among the Top 100 Most Popular Marine Maintenance Parts as of March 2014. |
| 92990-06600-00 |  | OEM: This part number is among the Top 100 Most Popular Marine Maintenance Parts as of March 2014. |

©2014 Yamaha Motor Corporation, U.S.A. All rights reserved.

25ESG 1988 / LOWER DRIVE 2



©2014 Yamaha Motor Corporation, U.S.A. All rights reserved.


## Part List

25ESG 1988 / LOWER DRIVE 2

| REF - NO | PART NUMBER     | PART NAME                      | QUANTITY | REMARKS  |
|----------|-----------------|--------------------------------|----------|----------|
| 1        | 6L2-44368-00-00 | RUBBER, WATER SEAL 4           | 1        |          |
| 2        | 6L2-44361-10-00 | TUBE, WATER                    | 1        | UR LONG  |
| 2        | 6L2-44361-00-00 | TUBE, WATER                    | 1        | UR SHORT |
| 3        | 6L2-44366-00-00 | DAMPER, WATER SEAL             | 1        |          |
| 4        | 93604-10M03-00  | PIN, DOWEL                     | 2        |          |
| 5        | 90105-10M12-00  | BOLT, FLANGE                   | 4        |          |
| 6        | 92990-10600-00  | WASHER, PLATE                  | 4        |          |
| 7        | 664-45371-01-00 | TAB-TRIM                       | 1        |          |
| 8        | 90105-08M02-00  | BOLT, FLANGE                   | 1        |          |
| 9        | 6L2-44367-00-00 | .DAMPER, WATER SEAL 3          | 1        |          |
| 10       | 6L2-45214-00-00 | COVER, WATER INLET 1           | 1        |          |
| 11       | 6L2-45215-00-00 | COVER, WATER INLET 2           | 1        |          |
| 12       | 98680-05030-00  | SCREW, OVAL HEAD               | 2        |          |
| 13       | 90185-05002-00  | NUT, NYLON                     | 2        |          |
| 14       | 6L2-45987-01-00 | SPACER 1                       | 1        |          |
| 15       | 689-45997-00-00 | SPACER 2                       | 1        |          |
| 16       | 92990-14200-00  | WASHER, PLAIN                  | 1        |          |
| 17       | 90171-14013-00  | NUT, CASTLE                    | 1        |          |
| 18       | 91490-30030-00  | PIN, COTTER                    | 1        |          |
| 19       | 664-45972-00-98 | PROPELLER (3X9-1/8"X12"-F)     | 1        | UR       |
| 19       | 664-45970-00-98 | PROPELLER (3X9-1/8"X13"-F)     | 1        | UR       |
| 19       | 664-45952-00-EL | PROPELLER (3X9-7/8"X14"-F)     | 1        | UR       |
| 19       | 664-45949-02-EL | PROPELLER (3X9-7/8"X13"-F)     | 1        | UR       |
| 19       | 664-45943-01-EL | PROPELLER (3X9-7/8"X8"-F)      | 1        | UR       |
| 19       | 664-45945-00-EL | PROPELLER (3X9-7/8"X10-1/2"-F) | 1        | UR       |
| 19       | 664-45947-01-EL | PROPELLER (3X9-7/8"X11-1/4"-F) | 1        | UR       |
| 20       | 6J8-W4591-00-EL | PROPELLER (3X10-5/8X8-1/4-F)   | 1        | UR       |
| 21       | 6J8-45986-10-98 | .RING, DEFLECTOR               | 1        |          |

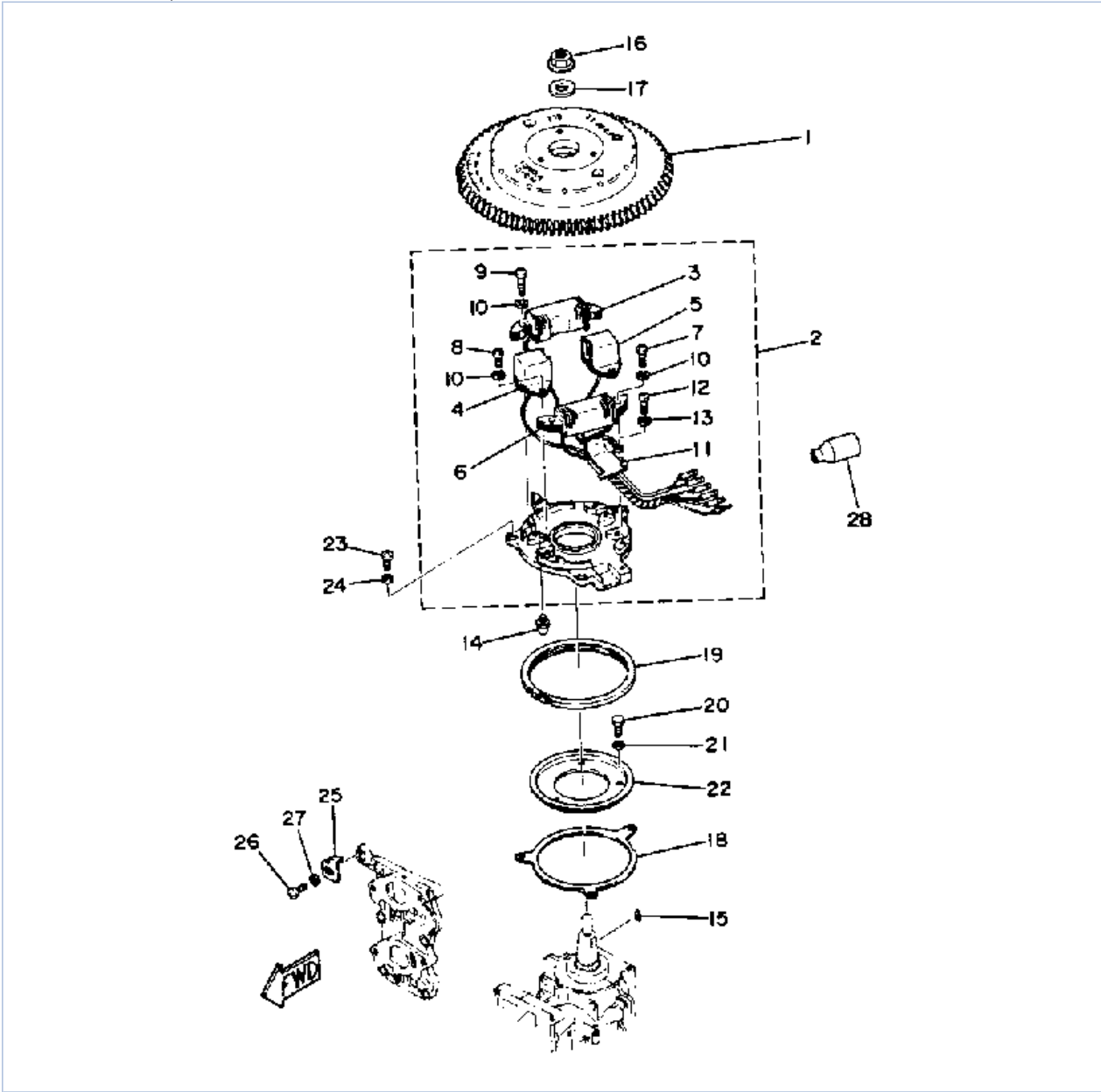
## Part Notes

25ESG 1988 / LOWER DRIVE 2

| PART NUMBER  | NOTE TEXT  |
|--|--|
| 92990-10600-00  | OEM: This part number is among the Top 100 Most Popular Marine Maintenance Parts as of March 2014. |

©2014 Yamaha Motor Corporation, U.S.A. All rights reserved.

25ESG 1988 / MAGNETO



©2014 Yamaha Motor Corporation, U.S.A. All rights reserved.


## Part List

25ESG 1988 / MAGNETO

| REF<br>-<br>NO | PART<br>NUMBER  | PART NAME              | QUANTITY | REMARKS |
|----------------|-----------------|------------------------|----------|---------|
| 1              | 6L2-85550-A0-00 | ROTOR ASSEMBLY         | 1        |         |
| 2              | 6L2-85560-F1-00 | BASE ASSEMBLY.         | 1        |         |
| 3              | 6L2-85520-F0-00 | .COIL, CHARGE          | 1        |         |
| 4              | 6L2-85592-F1-00 | .PULSER COIL ASSEMBLY  | 1        |         |
| 5              | 6L2-85595-F1-00 | .COIL, PULSER          | 1        |         |
| 6              | 6L2-85533-F0-00 | .COIL, LIGHTING        | 1        |         |
| 7              | 98580-05020-00  | .SCREW, PAN HEAD       | 2        |         |
| 8              | 98580-05010-00  | .SCREW, PAN HEAD       | 4        |         |
| 9              | 98503-05025-00  | .SCREW, PAN HEAD       | 2        |         |
| 10             | 92990-05100-00  | .WASHER, SPRING        | 8        |         |
| 11             | 6G1-85548-70-00 | .HOLDER                | 1        |         |
| 12             | 98580-04008-00  | .SCREW, PAN HEAD       | 1        |         |
| 13             | 92901-04100-00  | .WASHER, SPRING        | 1        |         |
| 14             | 663-85518-00-00 | JOINT, BALL            | 1        |         |
| 15             | 90280-16053-00  | KEY, WOODRUFF          | 1        |         |
| 16             | 90179-12M04-00  | NUT                    | 1        |         |
| 17             | 90201-13M42-00  | WASHER, PLATE          | 1        |         |
| 18             | 6G1-41611-00-00 | RETAINER, MAGNETO BASE | 1        |         |
| 19             | 695-41613-00-00 | PLATE, BASE FRICTION   | 1        |         |
| 20             | 97013-06012-00  | BOLT                   | 3        |         |
| 21             | 92990-06600-00  | WASHER, PLATE          | 3        |         |
| 22             | 6G1-41612-00-00 | RETAINER, MAGNETO BASE | 1        |         |
| 23             | 98580-05010-00  | .SCREW, PAN HEAD       | 3        |         |
| 24             | 92990-05600-00  | WASHER, PLATE          | 3        |         |
| 25             | 6J8-81332-00-00 | PLATE, TIMING          | 1        |         |
| 26             | 98580-05010-00  | .SCREW, PAN HEAD       | 1        |         |
| 27             | 92990-05600-00  | WASHER, PLATE          | 1        |         |
| 28             | 6L2-82599-00-00 | COVER, CONNECTOR       | 1        |         |

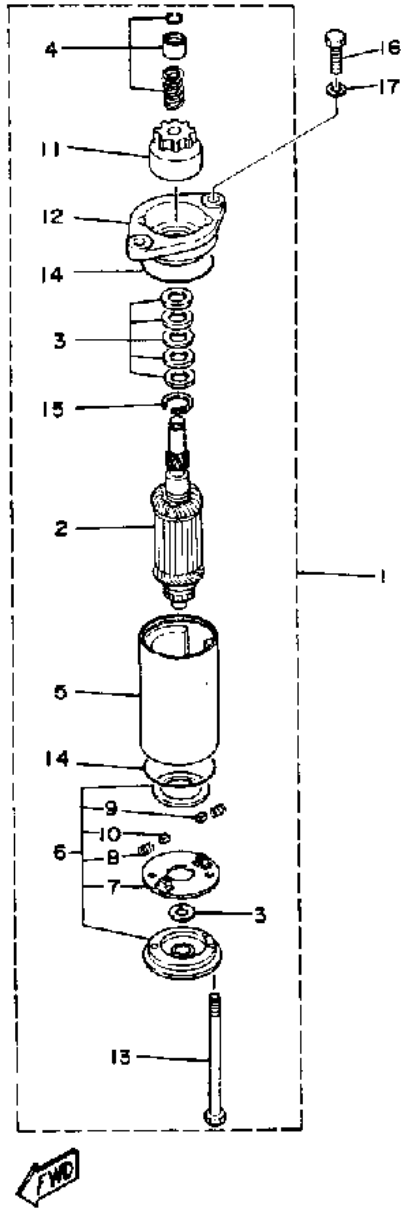
## Part Notes

25ESG 1988 / MAGNETO

| PART NUMBER  | NOTE TEXT  |
|--|--|
| 92990-06600-00  | OEM: This part number is among the Top 100 Most Popular Marine Maintenance Parts as of March 2014. |

©2014 Yamaha Motor Corporation, U.S.A. All rights reserved.

25ESG 1988 / STARTING MOTOR



©2014 Yamaha Motor Corporation, U.S.A. All rights reserved.

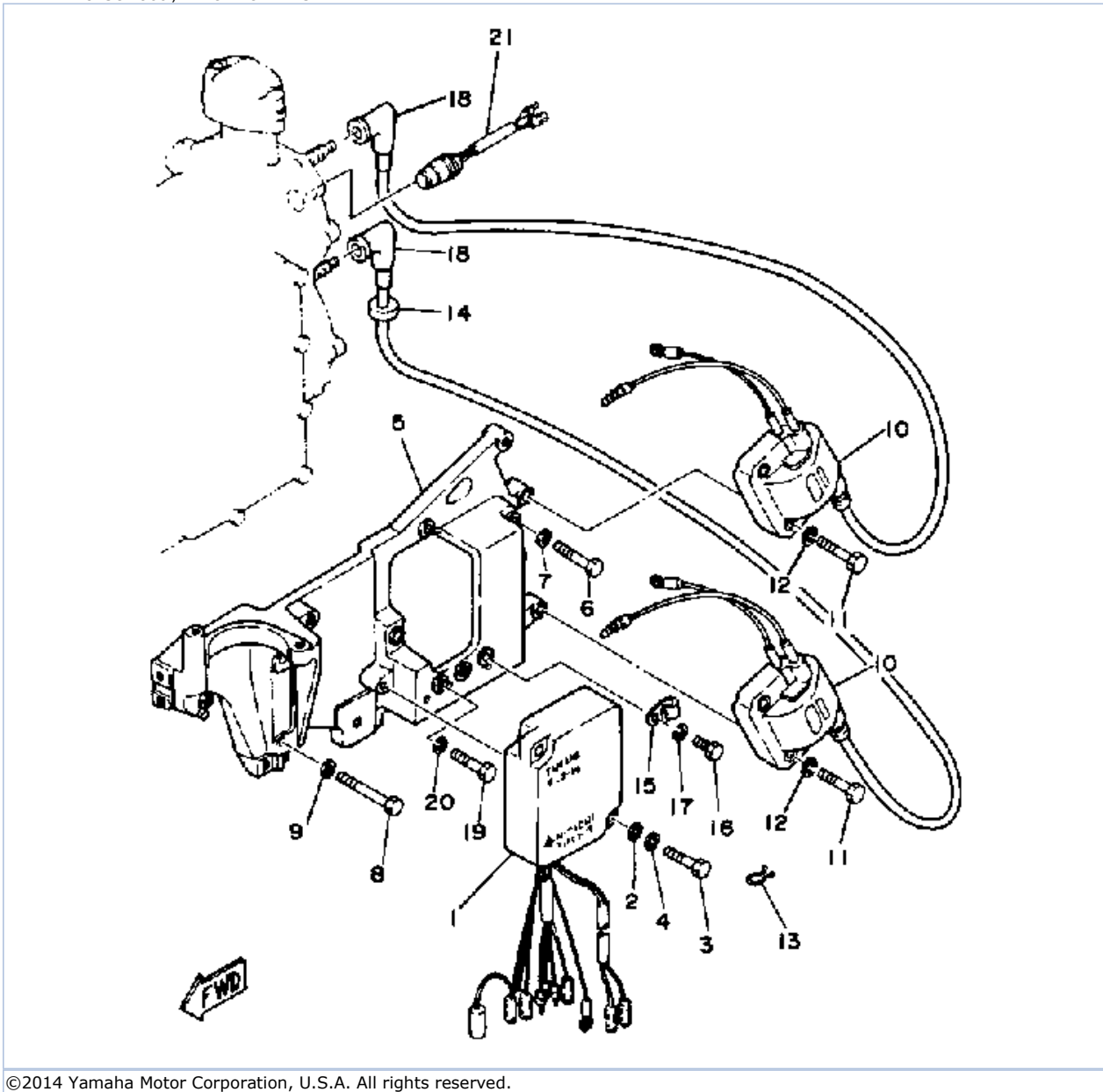
## Part List

25ESG 1988 / STARTING MOTOR

| REF<br>-<br>NO | PART<br>NUMBER  | PART NAME                  | QUANTITY | REMARKS |
|----------------|-----------------|----------------------------|----------|---------|
| 1              | 6L2-81800-11-00 | STARTING MOTOR<br>ASSEMBLY | 1        |         |
| 2              | 6L2-81850-11-00 | .ARMATURE ASSEMBLY         | 1        |         |
| 3              | 682-81809-10-00 | .WASHER KIT                | 1        |         |
| 4              | 6L2-81833-10-00 | .RING, STOP                | 1        |         |
| 5              | 682-81810-11-00 | .STATOR ASSY               | 1        |         |
| 6              | 6L2-81820-10-00 | .REAR BRACKET ASSEMBLY     | 1        |         |
| 7              | 6L2-81840-10-00 | ..BRUSH HOLDER ASSEMBLY    | 1        |         |
| 8              | 682-81813-10-00 | ..SPRING, BRUSH            | 2        |         |
| 9              | 6L2-81811-10-00 | ..BRUSH 1                  | 1        |         |
| 10             | 6L2-81812-10-00 | ..BRUSH 2                  | 1        |         |
| 11             | 682-81832-10-00 | .PINION ASSY               | 1        |         |
| 12             | 682-81830-10-00 | .FRONT COVER ASSY          | 1        |         |
| 13             | 682-81826-10-00 | .BOLT                      | 2        |         |
| 14             | 682-81847-10-00 | .O-RING                    | 2        |         |
| 15             | 682-81834-10-00 | .RING                      | 1        |         |
| 16             | 97013-08025-00  | BOLT                       | 2        |         |
| 17             | 92990-08600-00  | ..WASHER, PLATE            | 2        |         |



25ESG 1988 / ELECTRIC PARTS 1



©2014 Yamaha Motor Corporation, U.S.A. All rights reserved.



## Part List

25ESG 1988 / ELECTRIC PARTS 1

| REF<br>-<br>NO | PART<br>NUMBER  | PART NAME              | QUANTITY | REMARKS |
|----------------|-----------------|------------------------|----------|---------|
| 1              | 6L2-85540-10-00 | CDI UNIT ASSEMBLY      | 1        |         |
| 2              | 92990-06200-00  | WASHER, PLAIN          | 2        |         |
| 3              | 97313-06030-00  | BOLT                   | 2        |         |
| 4              | 92995-06100-00  | WASHER, SPRING         | 2        |         |
| 5              | 6L2-85542-01-94 | BRACKET                | 1        |         |
| 6              | 97313-06030-00  | BOLT                   | 3        |         |
| 7              | 92990-06600-00  | WASHER, PLATE          | 2        |         |
| 8              | 90101-06M16-00  | BOLT                   | 2        |         |
| 9              | 92990-06600-00  | WASHER, PLATE          | 2        |         |
| 10             | 6L2-85570-10-00 | IGNITION COIL ASSEMBLY | 2        |         |
| 11             | 97313-06030-00  | BOLT                   | 4        |         |
| 12             | 92995-06100-00  | WASHER, SPRING         | 4        |         |
| 13             | 90465-18147-00  | CLAMP                  | 1        |         |
| 14             | 90480-25161-00  | GROMMET                | 1        |         |
| 15             | 90465-08028-00  | CLAMP                  | 1        |         |
| 16             | 97013-06012-00  | BOLT                   | 1        |         |
| 17             | 92995-06100-00  | WASHER, SPRING         | 1        |         |
| 18             | 663-82370-01-00 | PLUG CAP ASSY          | 2        |         |
| 19             | 97013-06012-00  | BOLT                   | 2        |         |
| 20             | 92995-06100-00  | WASHER, SPRING         | 2        |         |
| 21             | 689-82560-00-00 | THERMO SWITCH ASSEMBLY | 1        |         |

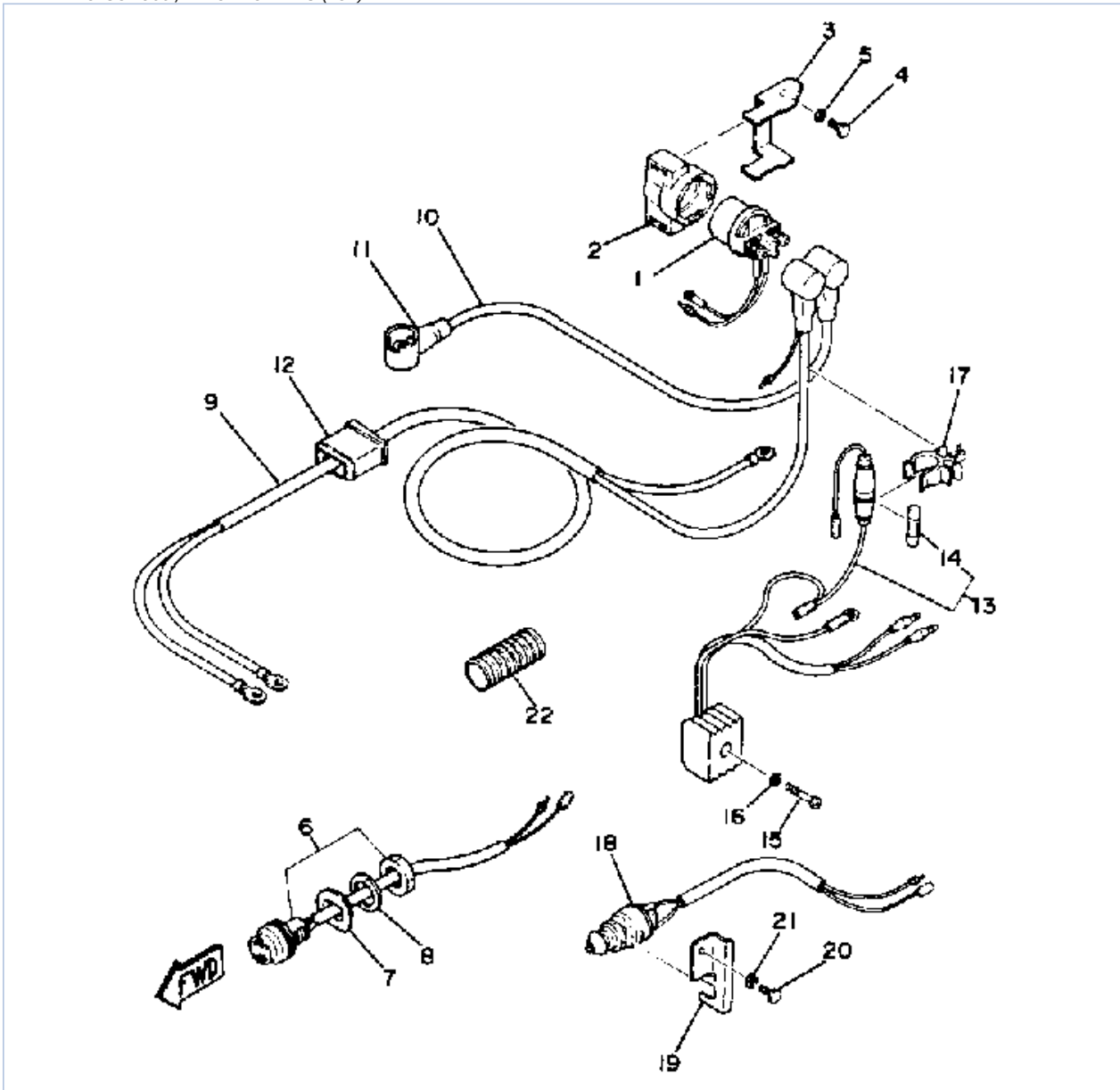
## Part Notes

25ESG 1988 / ELECTRIC PARTS 1

| PART NUMBER    |   | NOTE TEXT  |
|----------------|---|--|
| 92990-06600-00 |  | OEM: This part number is among the Top 100 Most Popular Marine Maintenance Parts as of March 2014. |
| 92990-06600-00 |  | OEM: This part number is among the Top 100 Most Popular Marine Maintenance Parts as of March 2014. |

©2014 Yamaha Motor Corporation, U.S.A. All rights reserved.

25ESG 1988 / ELECTRIC PARTS (25E)



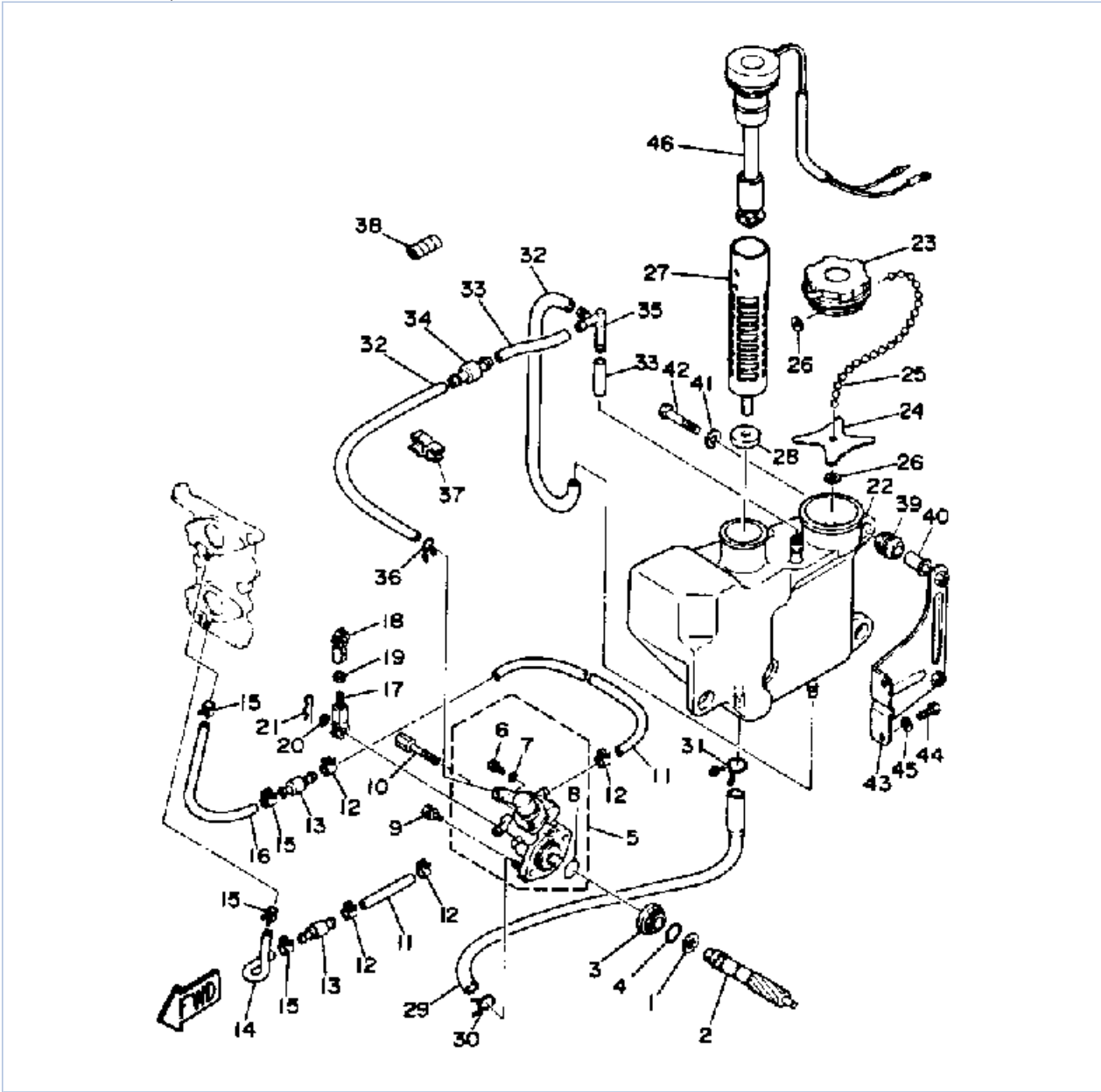
©2014 Yamaha Motor Corporation, U.S.A. All rights reserved.

## Part List

25ESG 1988 / ELECTRIC PARTS (25E)

| REF<br>-<br>NO | PART<br>NUMBER  | PART NAME             | QUANTITY | REMARKS |
|----------------|-----------------|-----------------------|----------|---------|
| 1              | 6G1-81941-10-00 | STARTER RELAY ASSY    | 1        |         |
| 2              | 6G1-81952-00-00 | HOLDER, RELAY         | 1        |         |
| 3              | 6L2-81945-00-00 | PLATE, SWITCH FITTING | 1        |         |
| 4              | 97013-06012-00  | BOLT                  | 1        |         |
| 5              | 92995-06100-00  | WASHER, SPRING        | 1        |         |
| 6              | 689-81870-00-00 | STARTING SWITCH ASSY  | 1        |         |
| 7              | 6L2-84387-00-00 | HOLDER                | 1        |         |
| 8              | 90202-17M35-00  | WASHER, PLATE         | 1        |         |
| 9              | 6G1-82105-00-00 | BATTERY CABLE         | 1        |         |
| 10             | 6G1-82117-00-00 | WIRE, LEAD            | 1        |         |
| 11             | 6G1-82119-00-00 | COVER, LEAD WIRE      | 1        |         |
| 12             | 6L2-42725-40-00 | GROMMET               | 1        |         |
| 13             | 6G1-81970-61-00 | RECTIFIER ASSY        | 1        |         |
| 14             | 6G1-82151-00-00 | .FUSE (10A)           | 1        |         |
| 15             | 98503-05025-00  | SCREW, PAN HEAD       | 1        |         |
| 16             | 92990-05600-00  | WASHER, PLATE         | 1        |         |
| 17             | 6G5-82152-00-00 | HOLDER, FUSE          | 1        |         |
| 18             | 6H3-82540-00-00 | NEUTRAL SWITCH ASSY   | 1        |         |
| 19             | 6L2-82554-00-00 | STAY, NEUTRAL SWITCH  | 1        |         |
| 20             | 97013-06012-00  | BOLT                  | 1        |         |
| 21             | 92995-06100-00  | WASHER, SPRING        | 1        |         |
| 22             | 6K3-83557-00-00 | TUBE                  | 1        |         |

25ESG 1988 / OIL PUMP



©2014 Yamaha Motor Corporation, U.S.A. All rights reserved.


## Part List

25ESG 1988 / OIL PUMP

| REF - NO | PART NUMBER     | PART NAME                   | QUANTITY | REMARKS |
|----------|-----------------|-----------------------------|----------|---------|
| 1        | 90201-08M93-00  | WASHER, PLATE               | 1        |         |
| 2        | 6L2-11537-00-00 | GEAR, DRIVEN                | 1        |         |
| 3        | 6J8-13117-00-00 | COLLAR, DISTANCE            | 1        |         |
| 4        | 93210-13595-00  | O-RING                      | 1        |         |
| 5        | 6L2-13200-00-00 | OIL INJECTION PUMP ASSEMBLY | 1        |         |
| 6        | 6L2-13471-00-00 | .PLUG, DRAIN                | 1        |         |
| 7        | 1YU-13187-00-00 | .GASKET, BREATHER BOLT      | 1        |         |
| 8        | 93210-19M82-00  | .O-RING                     | 1        |         |
| 9        | 97513-05218-00  | BOLT, WITH WASHER           | 1        |         |
| 10       | 90109-05M33-00  | BOLT                        | 1        |         |
| 11       | 90445-07M32-00  | HOSE (L120)                 | 2        |         |
| 12       | 90468-07M02-00  | CLIP                        | 4        |         |
| 13       | 6E9-13183-70-00 | VALVE, CHECK                | 2        |         |
| 14       | 90445-07M04-00  | HOSE (L50)                  | 1        |         |
| 15       | 90468-07M02-00  | CLIP                        | 4        |         |
| 16       | 90445-07M16-00  | HOSE                        | 1        |         |
| 17       | 682-41237-50-00 | JOINT, LINK                 | 1        |         |
| 18       | 6H1-41237-00-00 | JOINT, LINK                 | 1        |         |
| 19       | 95303-05700-00  | .NUT                        | 1        |         |
| 20       | 90202-05088-00  | WASHER, PLATE               | 1        |         |
| 21       | 90468-05M03-00  | CLIP                        | 1        |         |
| 22       | 6L2-21707-01-00 | OIL TANK COMP.              | 1        |         |
| 23       | 6H4-21770-00-00 | OIL TANK CAP ASSY           | 1        |         |
| 24       | 6L2-21758-00-00 | WASHER, SPECIAL 2           | 1        |         |
| 25       | 6H1-24633-00-00 | CHAIN, BALL                 | 1        |         |
| 26       | 6H1-21757-00-00 | WASHER, SPECIAL 1           | 2        |         |
| 27       | 6J8-13411-00-00 | STRAINER, OIL               | 1        |         |
| 28       | 6J8-13414-00-00 | GASKET, STRAINER COVER      | 1        |         |
| 29       | 6L2-13416-00-00 | PIPE, OIL 1                 | 1        |         |
| 30       | 90467-08004-00  | CLIP                        | 1        |         |
| 31       | 90467-11M08-00  | CLIP                        | 1        |         |
| 32       | 90445-11M03-00  | HOSE (L330)                 | 2        |         |
| 33       | 90445-11M07-00  | HOSE (L30)                  | 2        |         |
| 34       | 6J8-21744-00-00 | BREATHER                    | 1        |         |
| 35       | 6E5-24376-10-00 | PIPE, JOINT 1               | 1        |         |
| 36       | 90467-10M04-00  | CLIP                        | 1        |         |
| 37       | 90464-11M24-00  | CLAMP                       | 1        |         |
| 38       | 90446-10M02-00  | HOSE                        | 1        |         |
| 39       | 6A0-82317-00-00 | DAMPER, IGNITION COIL       | 3        |         |
| 40       | 624-42542-00-00 | PIPE                        | 3        |         |
| 41       | 90201-06050-00  | WASHER, PLATE               | 3        |         |
| 42       | 97313-06030-00  | BOLT                        | 3        |         |
| 43       | 6L2-21798-00-00 | BRACKET, DAMPER             | 1        |         |
| 44       | 97313-06016-00  | BOLT, HEXAGON               | 2        |         |
| 45       | 92990-06600-00  | WASHER, PLATE               | 2        |         |
| 46       | 6L2-85720-00-00 | OIL LVL GAUGE ASSEMBLY      | 1        |         |

## Part Notes

25ESG 1988 / OIL PUMP

| PART NUMBER   | NOTE TEXT  |
|---|--|
| 6H1-41237-00-00  | OEM: This part number is among the Top 100 Most Popular Marine Maintenance Parts as of March 2014. |

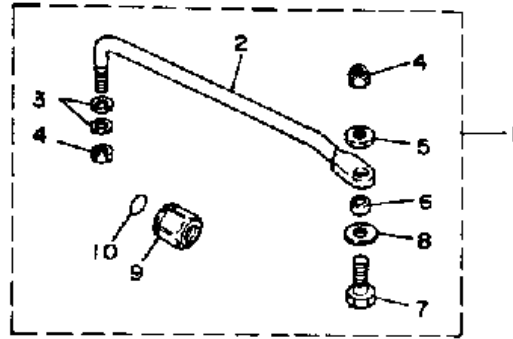
92990-06600-00



OEM: This part number is among the Top 100 Most Popular Marine Maintenance Parts as of March 2014.

©2014 Yamaha Motor Corporation, U.S.A. All rights reserved.

25ESG 1988 / STEERING GUIDE ATTACHMENT



©2014 Yamaha Motor Corporation, U.S.A. All rights reserved.

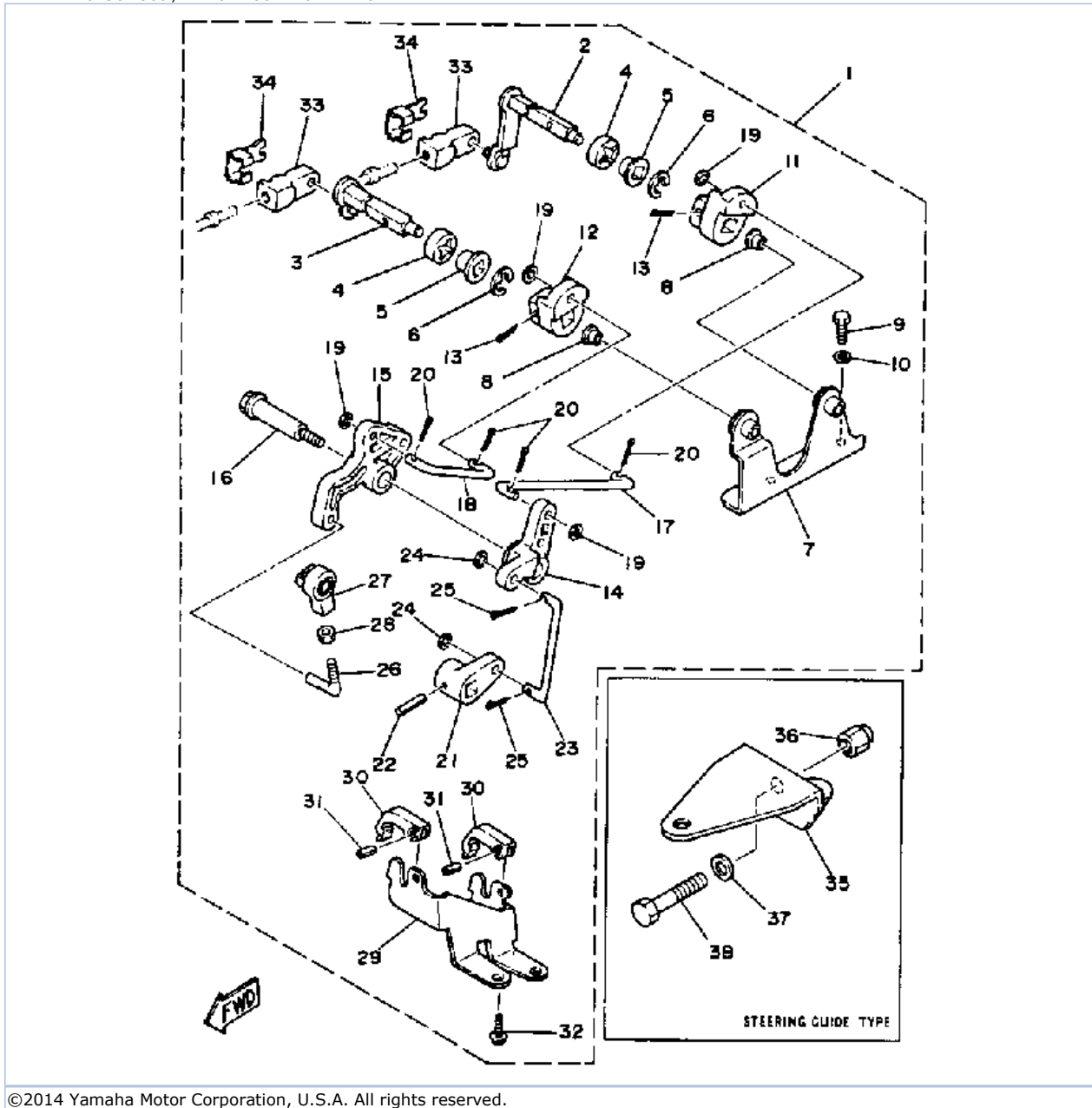


## Part List

25ESG 1988 / STEERING GUIDE ATTACHMENT

| REF<br>-<br>NO | PART<br>NUMBER  | PART NAME                        | QUANTITY | REMARKS |
|----------------|-----------------|----------------------------------|----------|---------|
| 1              | 689-61350-02-00 | STEERING GUIDE<br>ATTACHMENT KIT | 1        |         |
| 2              | 689-61351-01-00 | .ROD, STEERING LINK              | 1        |         |
| 3              | 90201-10M20-00  | ..WASHER, PLATE                  | 2        |         |
| 4              | 90185-09M01-00  | ..NUT, SELF-LOCKING              | 2        |         |
| 5              | 90170-09M03-00  | ..NUT                            | 1        |         |
| 6              | 90387-10M42-00  | ..COLLAR                         | 1        |         |
| 7              | 6E5-61355-00-00 | ..BOLT                           | 1        |         |
| 8              | 90201-10M63-00  | ..WASHER, PLATE                  | 1        |         |
| 9              | 6E5-43145-00-00 | .CAP, CLAMP BRACKET              | 1        |         |
| 10             | 93210-16716-00  | .O-RING                          | 1        |         |

25ESG 1988 / REMOTE CONTROL ATTACHMENT



©2014 Yamaha Motor Corporation, U.S.A. All rights reserved.



## Part List

25ESG 1988 / REMOTE CONTROL ATTACHMENT

| REF - NO | PART NUMBER     | PART NAME                  | QUANTITY | REMARKS  |
|----------|-----------------|----------------------------|----------|----------|
| 1        | 6L2-48501-10-00 | REMOTE ATT.KIT 25G         | 1        |          |
| 2        | 6L2-48544-00-00 | .LEVER, SHIFT CONTRL       | 1        |          |
| 3        | 6L2-48534-00-00 | .THROTTLE LEVR, CNTL       | 1        |          |
| 4        | 6L2-44177-00-00 | .WASHER                    | 2        |          |
| 5        | 682-44132-00-00 | .BUSHING                   | 2        |          |
| 6        | 99080-07600-00  | .CLIP                      | 2        |          |
| 7        | 6L2-48532-00-00 | .BRACKET, REMOTE CON       | 1        |          |
| 8        | 90386-06M12-00  | .BUSH                      | 2        |          |
| 9        | 97313-06016-00  | .BOLT, HEXAGON             | 2        |          |
| 10       | 92990-06600-00  | .WASHER, PLATE             | 2        |          |
| 11       | 6L2-44173-00-00 | .LEVER, SHIFT CONTR        | 1        |          |
| 12       | 6L2-42154-00-00 | .LEVER, THROTTLE CON       | 1        |          |
| 13       | 91490-25030-00  | .PIN COTTER                | 2        |          |
| 14       | 6L2-44141-01-00 | .LINK, SHIFT ROD           | 1        |          |
| 15       | 6L2-41212-00-00 | .ARM, ACCEL                | 1        |          |
| 16       | 90109-06M28-00  | .BOLT                      | 1        |          |
| 17       | 6L2-42191-00-00 | .ROD 1                     | 1        |          |
| 18       | 6L2-42192-00-00 | .ROD 2                     | 1        |          |
| 19       | 90202-05088-00  | .WASHER, PLATE             | 4        |          |
| 20       | 91490-20015-00  | .PIN COTTER                | 4        |          |
| 21       | 6L2-44122-00-00 | .BUSHING, SHIFT ROD LEVER  | 1        |          |
| 22       | 91690-30318-00  | .PIN, SPRING               | 1        |          |
| 23       | 6L2-42192-00-00 | .ROD 2                     | 1        |          |
| 24       | 90202-05088-00  | .WASHER, PLATE             | 2        |          |
| 25       | 91490-20015-00  | .PIN COTTER                | 2        |          |
| 26       | 6L2-41238-00-00 | .JOINT, LINK               | 1        |          |
| 27       | 6L2-41237-00-00 | .JOINT, LINK               | 1        |          |
| 28       | 95303-05700-00  | .NUT                       | 1        |          |
| 29       | 6L2-48531-00-00 | .BRACKET, REMOTE CONTROL 1 | 1        |          |
| 30       | 682-48538-50-00 | .CLAMP, CABLE 1            | 2        |          |
| 31       | 91690-30012-00  | .PIN, SPRING               | 2        |          |
| 32       | 90105-06M23-00  | .BOLT FLANGE               | 2        |          |
| 33       | 6G8-26363-00-00 | .END, WIRE 1               | 2        |          |
| 34       | 6G8-26364-00-00 | .END, CABLE                | 2        |          |
| 35       | 689-48511-01-00 | HOOK, STEERING             | 1        | STEERING |
| 36       | 90185-10051-00  | NUT, SELF-LOCKING          | 1        |          |
| 37       | 92990-10600-00  | WASHER, PLATE              | 1        |          |
| 38       | 97395-10040-00  | BOLT                       | 1        |          |

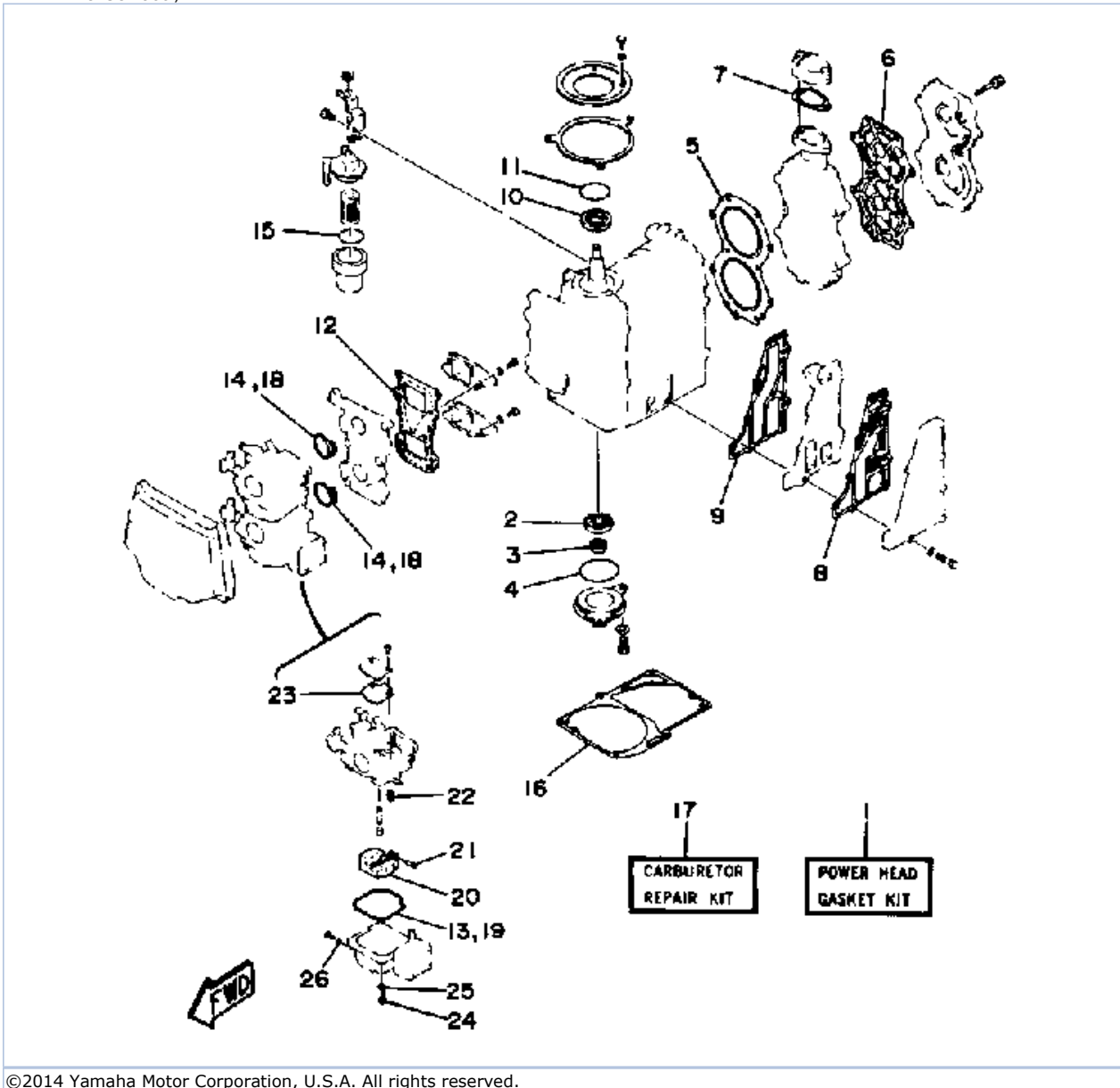
## Part Notes

25ESG 1988 / REMOTE CONTROL ATTACHMENT

| PART NUMBER  | NOTE TEXT  |
|--|--|
| 92990-06600-00  | OEM: This part number is among the Top 100 Most Popular Marine Maintenance Parts as of March 2014. |
| 92990-10600-00  | OEM: This part number is among the Top 100 Most Popular Marine Maintenance Parts as of March 2014. |

©2014 Yamaha Motor Corporation, U.S.A. All rights reserved.

25ESG 1988 / REPAIR KIT 1



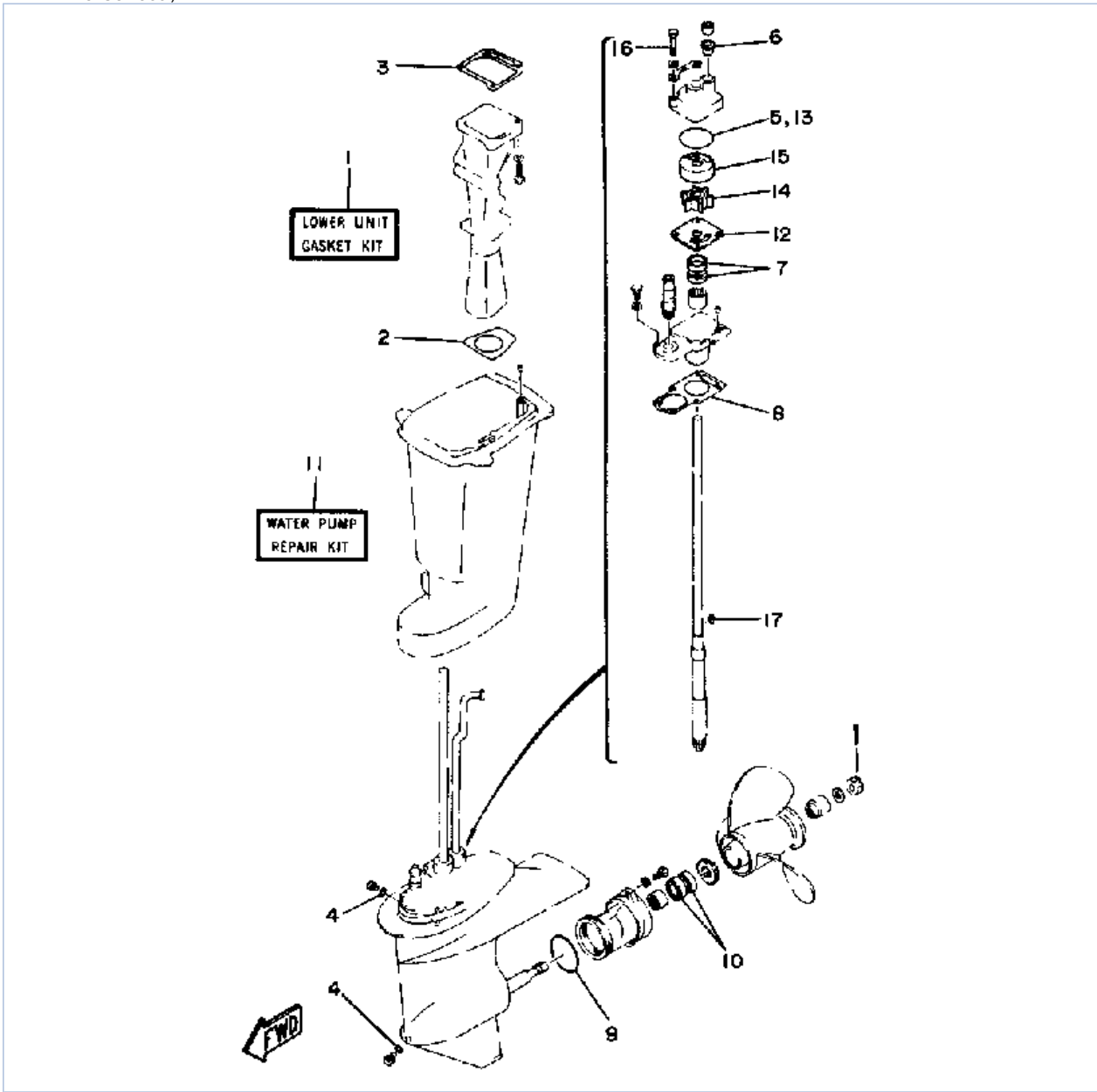
©2014 Yamaha Motor Corporation, U.S.A. All rights reserved.

## Part List

25ESG 1988 / REPAIR KIT 1

| REF<br>-<br>NO | PART<br>NUMBER  | PART NAME                     | QUANTITY | REMARKS |
|----------------|-----------------|-------------------------------|----------|---------|
| 1              | 6L2-W0001-02-00 | GASKET KIT PWR HD.            | 1        |         |
| 2              | 93102-25142-00  | .OIL SEAL                     | 1        |         |
| 3              | 93101-13M37-00  | .OIL SEAL                     | 1        |         |
| 4              | 93210-56M80-00  | .O-RING                       | 1        |         |
| 5              | 6L2-11181-A1-00 | .GASKET, CYLINDER HEAD 1      | 1        |         |
| 6              | 6L2-11193-A1-00 | .GASKET, HEAD COVER 1         | 1        |         |
| 7              | 6J8-12414-A0-00 | .GASKET, COVER                | 1        |         |
| 8              | 6L2-41114-00-00 | .GASKET, EXHCOVER             | 1        |         |
| 9              | 6L2-41112-00-00 | .GASKET EXHAUST               | 1        |         |
| 10             | 93012-26M27-00  | .UNAVAILABLE IN PRICE<br>BOOK | 1        |         |
| 11             | 93210-42159-00  | .O-RING                       | 1        |         |
| 12             | 6L2-13621-00-00 | .GASKET, VALVE SEAT           | 1        |         |
| 13             | 6L2-14384-00-00 | .GASKET, FLOAT CHAMBER        | 2        |         |
| 14             | 6L2-14198-00-00 | .GASKET                       | 2        |         |
| 15             | 93210-37M25-00  | .O-RING                       | 1        |         |
| 16             | 6L2-45113-A1-00 | .GASKET, UPPER CASING         | 1        |         |
| 17             | 6L2-W0093-00-00 | CARBURETOR REPAIR KIT         | 1        |         |
| 18             | 6L2-14198-00-00 | .GASKET                       | 2        |         |
| 19             | 6L2-14384-00-00 | .GASKET, FLOAT CHAMBER        | 2        |         |
| 20             | 6L2-14385-00-00 | .FLOAT                        | 2        |         |
| 21             | 6E5-14386-01-00 | .PIN, FLOAT                   | 2        |         |
| 22             | 6L2-14392-00-00 | .VALVE                        | 2        |         |
| 23             | 6L2-14399-00-00 | .GASKET                       | 2        |         |
| 24             | 98511-04012-00  | .SCREW, PAN HEAD              | 2        |         |
| 25             | 92901-04100-00  | .WASHER, SPRING               | 2        |         |
| 26             | 6L2-14398-00-00 | .GASKET                       | 2        |         |

25ESG 1988 / REPAIR KIT 2



©2014 Yamaha Motor Corporation, U.S.A. All rights reserved.


## Part List

25ESG 1988 / REPAIR KIT 2

| REF<br>-<br>NO | PART<br>NUMBER  | PART NAME                      | QUANTITY | REMARKS |
|----------------|-----------------|--------------------------------|----------|---------|
| 1              | 6L2-W0001-23-00 | LOWER UNIT GASKET KIT          | 1        |         |
| 2              | 6L2-41134-00-00 | .GASKET, EXHAUST<br>MANIFOLD   | 1        |         |
| 3              | 6L2-41133-A1-00 | .GASKET, EXHAUST<br>MANIFOLD 1 | 1        |         |
| 4              | 90430-08020-00  | .GASKET                        | 2        |         |
| 5              | 93210-37M67-00  | .O-RING                        | 1        |         |
| 6              | 6L2-44367-00-00 | .DAMPER, WATER SEAL 3          | 1        |         |
| 7              | 93101-20048-00  | .OIL SEAL                      | 2        |         |
| 8              | 6L2-45315-00-00 | .PACKING, LOWER CASE           | 1        |         |
| 9              | 93210-60MA3-00  | .O-RING                        | 1        |         |
| 10             | 93101-20M07-00  | .OIL SEAL                      | 2        |         |
| 11             | 6L2-W0078-00-00 | WATER PUMP REPAIR KIT          | 1        |         |
| 12             | 6L2-44323-00-00 | .OUTER PLATE, CARTRIDGE        | 1        |         |
| 13             | 93210-37M67-00  | .O-RING                        | 1        |         |
| 14             | 6L2-44352-00-00 | .IMPELLER                      | 1        |         |
| 15             | 6L2-44322-00-00 | .INSERT, CARTRIDGE             | 1        |         |
| 16             | 97395-06040-00  | .BOLT                          | 4        |         |
| 17             | 90280-03024-00  | .KEY, WOODRUFF                 | 1        |         |

## Part Notes

25ESG 1988 / REPAIR KIT 2

| PART NUMBER  | NOTE TEXT  |
|--|--|
| 90430-08020-00  | OEM: This part number is among the Top 100 Most Popular Marine Maintenance Parts as of March 2014. |

©2014 Yamaha Motor Corporation, U.S.A. All rights reserved.

©2014 Yamaha Motor Corporation, U.S.A. All rights reserved.