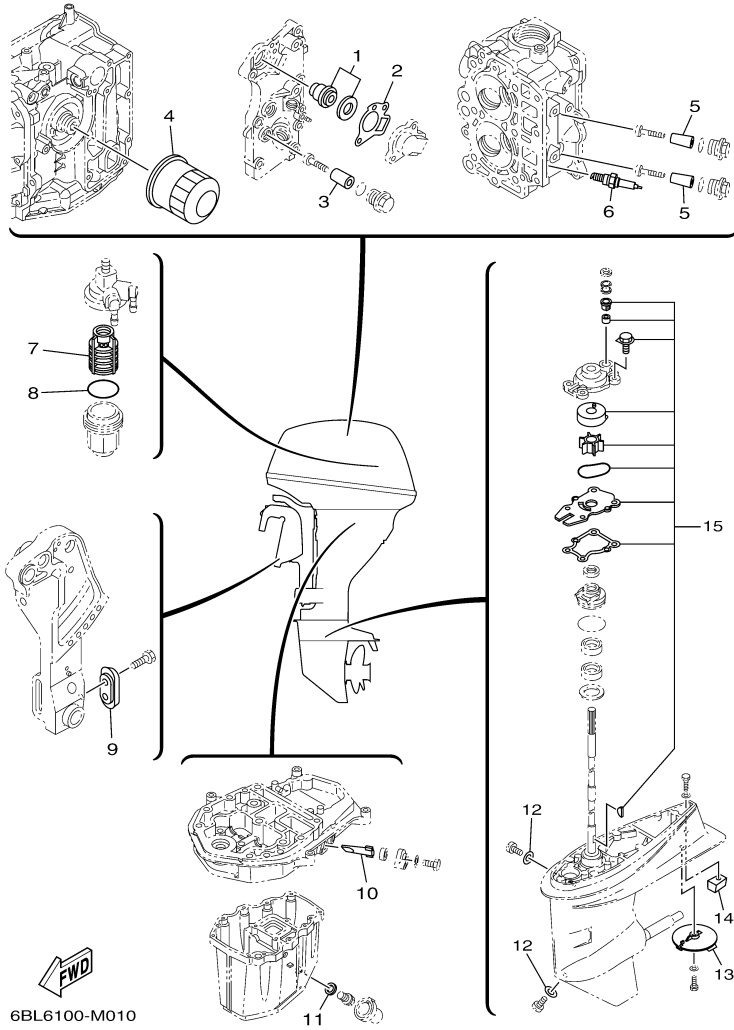


T25LA 0113 / SCHEDULED SERVICE PARTS



©2014 Yamaha Motor Corporation, U.S.A. All rights reserved.






## Part List

T25LA 0113 / SCHEDULED SERVICE PARTS

| REF<br>-<br>NO | PART<br>NUMBER  | PART NAME                    | QUANTITY | REMARKS |
|----------------|-----------------|------------------------------|----------|---------|
| 1              | 6G8-12411-03-00 | THERMOSTAT                   | 1        |         |
| 2              | 62Y-12414-00-00 | .GASKET, COVER               | 1        |         |
| 3              | 6G8-11325-00-00 | ANODE                        | 1        |         |
| 4              | 5GH-13440-50-00 | ELEMENT ASSY, OIL<br>CLEANER | 1        |         |
| 5              | 6BL-11325-00-00 | ANODE                        | 2        |         |
| 6              | DPR-6EB90-00-00 | PLUG, SPARK (NGK DPR6EB)     | 2        |         |
| 7              | 61N-24563-10-00 | .ELEMENT, FILTER             | 1        |         |
| 8              | 93210-32738-00  | .O-RING                      | 1        |         |
| 9              | 65W-45251-00-00 | ANODE                        | 1        |         |
| 10             | 62Y-11325-00-00 | ANODE                        | 1        |         |
| 11             | 90430-14M09-00  | .GASKET                      | 1        |         |
| 12             | 90430-08020-00  | .GASKET                      | 2        |         |
| 13             | 67C-45371-00-00 | TAB-TRIM                     | 1        |         |
| 14             | 67C-45251-00-00 | ANODE                        | 1        |         |
| 15             | 66T-W0078-00-00 | WATER PUMP REPAIR KIT        | 1        |         |

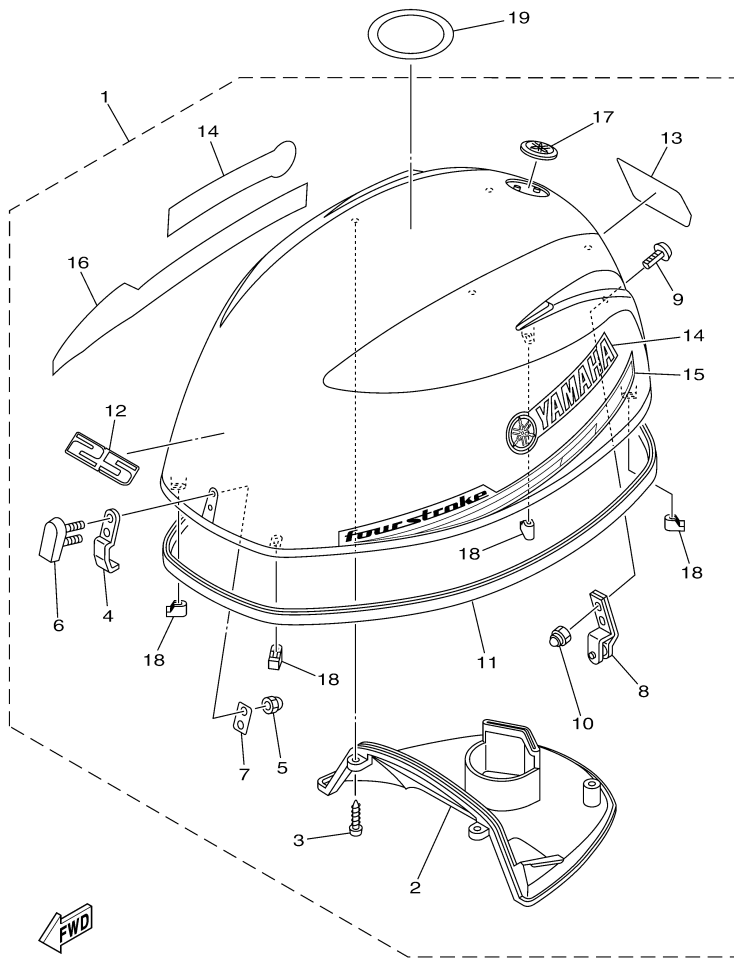
## Part Notes

T25LA 0113 / SCHEDULED SERVICE PARTS

| PART NUMBER     |   | NOTE TEXT  |
|-----------------|---|--|
| 62Y-12414-00-00 |    | OEM: This part number is among the Top 100 Most Popular Marine Maintenance Parts as of March 2014. |
| 61N-24563-10-00 |   | OEM: This part number is among the Top 100 Most Popular Marine Maintenance Parts as of March 2014. |
| 65W-45251-00-00 |  | OEM: This part number is among the Top 100 Most Popular Marine Maintenance Parts as of March 2014. |
| 90430-14M09-00  |  | OEM: This part number is among the Top 100 Most Popular Marine Maintenance Parts as of March 2014. |
| 90430-08020-00  |  | OEM: This part number is among the Top 100 Most Popular Marine Maintenance Parts as of March 2014. |

©2014 Yamaha Motor Corporation, U.S.A. All rights reserved.

T25LA 0113 / TOP COWLING



6BL5110-L010

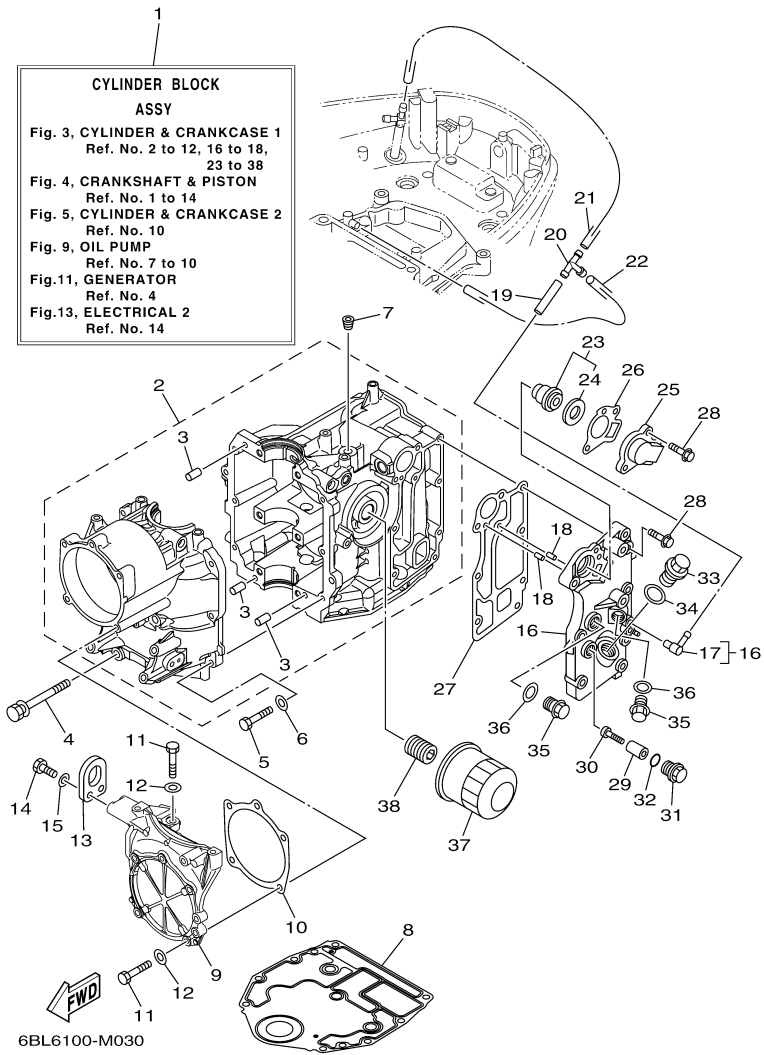
©2014 Yamaha Motor Corporation, U.S.A. All rights reserved.

## Part List

T25LA 0113 / TOP COWLING

| REF<br>-<br>NO | PART<br>NUMBER  | PART NAME           | QUANTITY | REMARKS |
|----------------|-----------------|---------------------|----------|---------|
| 1              | 6BL-42610-21-00 | TOP COWLING ASSY    | 1        |         |
| 2              | 6BL-42613-00-00 | .MOLDING, AIR DUCT  | 1        |         |
| 3              | 90167-05017-00  | .SCREW, TAPPING     | 4        |         |
| 4              | 6BL-42651-00-00 | .HOOK               | 1        |         |
| 5              | 95380-05800-00  | .NUT                | 2        |         |
| 6              | 6BG-42851-00-00 | .COVER, CLAMP       | 1        |         |
| 7              | 6BG-42649-00-00 | .HOLDER, CLAMP BAND | 1        |         |
| 8              | 6BL-42652-00-00 | .HOOK               | 1        |         |
| 9              | 90109-06047-00  | .BOLT               | 2        |         |
| 10             | 90185-06M05-00  | .NUT, SELF-LOCKING  | 2        |         |
| 11             | 6CJ-42615-00-00 | .SEAL               | 1        |         |
| 12             | 6BP-42677-10-00 | .GRAPHIC, FRONT     | 1        |         |
| 13             | 6BL-42678-10-00 | .GRAPHIC, REAR      | 1        |         |
| 14             | 6BP-42681-00-00 | .MARK, COWLING      | 2        |         |
| 15             | 6BP-42675-10-00 | .GRAPHIC, SIDE 1    | 1        |         |
| 16             | 6BP-42676-10-00 | .GRAPHIC, SIDE 2    | 1        |         |
| 17             | 6AH-42697-10-00 | .TUNING FORK MARK   | 1        |         |
| 18             | 6BG-42662-00-00 | .DAMPER             | 4        |         |
| 19             | 67F-13434-20-00 | LABEL, CAUTION      | 1        |         |

T25LA 0113 / CYLINDER CRANKCASE 1



©2014 Yamaha Motor Corporation, U.S.A. All rights reserved.


## Part List

T25LA 0113 / CYLINDER CRANKCASE 1

| REF - NO | PART NUMBER     | PART NAME                    | QUANTITY | REMARKS |
|----------|-----------------|------------------------------|----------|---------|
| 1        | 6BL-W009B-01-1S | CYLINDER BLOCK ASSY          | 1        |         |
| 2        | 6BL-15100-02-00 | CRANKCASE ASSY               | 1        |         |
| 3        | 93606-12019-00  | .PIN, DOWEL                  | 3        |         |
| 4        | 90119-08M01-00  | BOLT, WITH WASHER            | 6        |         |
| 5        | 97013-06025-00  | BOLT                         | 7        |         |
| 6        | 92903-06600-00  | WASHER, PLATE                | 7        |         |
| 7        | 90344-51003-00  | PLUG, TAPER SCREW            | 1        |         |
| 8        | 6BG-11351-00-00 | .GASKET, CYLINDER            | 1        |         |
| 9        | 6BL-15121-00-1S | CRANKCASE 2                  | 1        |         |
| 10       | 6BL-15663-00-00 | .SEAL                        | 1        |         |
| 11       | 97013-06025-00  | BOLT                         | 6        |         |
| 12       | 92903-06600-00  | WASHER, PLATE                | 6        |         |
| 13       | 62Y-11119-00-00 | HANGER, ENGINE               | 1        |         |
| 14       | 97095-06020-00  | BOLT                         | 2        |         |
| 15       | 92995-06600-00  | WASHER                       | 2        |         |
| 16       | 6BL-41113-00-1S | OUTER COVER, EXHAUST         | 1        |         |
| 17       | 676-11372-00-00 | .NIPPLE, HOSE                | 1        |         |
| 18       | 93604-10M03-00  | PIN, DOWEL                   | 2        |         |
| 19       | 90445-09057-00  | HOSE (L43)                   | 1        |         |
| 20       | 688-24378-00-00 | PIPE, JOINT 3                | 1        |         |
| 21       | 90445-09251-00  | HOSE (L350)                  | 1        |         |
| 22       | 90445-09104-00  | HOSE (L300)                  | 1        |         |
| 23       | 6G8-12411-03-00 | THERMOSTAT                   | 1        |         |
| 24       | 688-12412-00-00 | .SEAL, THERMOSTAT            | 1        |         |
| 25       | 6C5-12413-00-9S | COVER, THERMOSTAT            | 1        |         |
| 26       | 62Y-12414-00-00 | .GASKET, COVER               | 1        |         |
| 27       | 6BL-41114-00-00 | .GASKET, EXHAUST OUTER COVER | 1        |         |
| 28       | 90119-06MA5-00  | BOLT, WITH WASHER            | 8        |         |
| 29       | 6G8-11325-00-00 | ANODE                        | 1        |         |
| 30       | 97880-05025-00  | SCREW, PAN HEAD              | 1        |         |
| 31       | 6G8-11197-01-00 | PLUG, BLIND                  | 1        |         |
| 32       | 93210-13M63-00  | .O-RING                      | 1        |         |
| 33       | 90340-18M09-00  | PLUG, STRAIGHT SCREW         | 1        |         |
| 34       | 90430-18130-00  | .GASKET                      | 1        |         |
| 35       | 90340-14M06-00  | PLUG, STRAIGHT SCREW         | 2        |         |
| 36       | 90430-14115-00  | .GASKET                      | 2        |         |
| 37       | 5GH-13440-50-00 | ELEMENT ASSY, OIL CLEANER    | 1        |         |
| 38       | 6C5-12858-00-00 | BOLT, UNION                  | 1        |         |

## Part Notes

T25LA 0113 / CYLINDER CRANKCASE 1

| PART NUMBER   | NOTE TEXT  |
|---|--|
| 62Y-12414-00-00  | OEM: This part number is among the Top 100 Most Popular Marine Maintenance Parts as of March 2014. |

©2014 Yamaha Motor Corporation, U.S.A. All rights reserved.

T25LA 0113 / CRANKSHAFT PISTON



6BP1100-H030

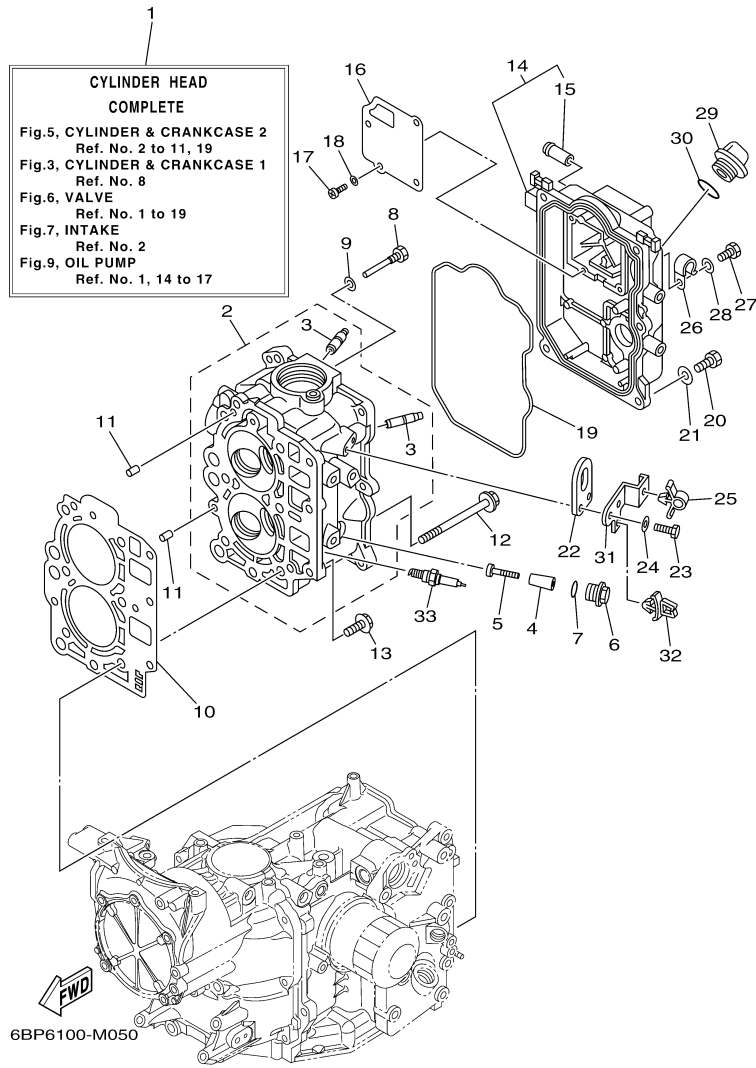
## Part List

T25LA 0113 / CRANKSHAFT PISTON

| REF<br>-<br>NO | PART<br>NUMBER  | PART NAME                        | QUANTITY | REMARKS  |
|----------------|-----------------|----------------------------------|----------|----------|
| 1              | 6BL-11411-00-00 | CRANKSHAFT                       | 1        |          |
| 2              | 6BG-11416-30-00 | PLANE BEARING,<br>CRANKSHAFT 1   | 6        | UR GREEN |
| 2              | 6BG-11416-20-00 | PLANE BEARING,<br>CRANKSHAFT 1   | 6        | UR PINK  |
| 2              | 6BG-11416-10-00 | PLANE BEARING,<br>CRANKSHAFT 1   | 6        | UR RED   |
| 3              | 6C5-11650-00-00 | CONNECTING ROD ASSY              | 2        |          |
| 4              | 6C5-11654-00-00 | .BOLT, CONNECTING ROD            | 2        |          |
| 5              | 6CJ-11656-10-00 | PLANE BEARING,<br>CONNECTING ROD | 4        | UR RED   |
| 5              | 6CJ-11656-30-00 | PLANE BEARING,<br>CONNECTING ROD | 4        | UR GREEN |
| 5              | 6CJ-11656-20-00 | PLANE BEARING,<br>CONNECTING ROD | 4        | UR PINK  |
| 6              | 69W-11631-01-97 | PISTON (STD)                     | 2        |          |
| 6              | 69W-11636-01-00 | PISTON (0.50MM O/S)              | 2        | AP       |
| 6              | 69W-11635-01-00 | PISTON (0.25MM O/S)              | 2        | AP       |
| 7              | 67C-11605-00-00 | PISTON RING SET (0.50MM<br>O/S)  | 2        | AP       |
| 7              | 67C-11604-00-00 | PISTON RING SET (0.25MM<br>O/S)  | 2        | AP       |
| 7              | 67C-11603-00-00 | PISTON RING SET (STD)            | 2        |          |
| 8              | 62Y-11633-00-00 | PIN, PISTON                      | 2        |          |
| 9              | 93450-17129-00  | CIRCLIP                          | 4        |          |
| 10             | 6BL-11665-00-00 | CONNECTING ROD ASSY 3            | 1        |          |
| 11             | 6BL-11642-00-00 | PISTON 2 (STD)                   | 1        |          |
| 12             | 90170-20137-00  | NUT                              | 1        |          |
| 13             | 93102-43M42-00  | .OIL SEAL                        | 1        |          |
| 14             | 93101-35002-00  | .OIL SEAL                        | 1        |          |



T25LA 0113 / CYLINDER CRANKCASE 2



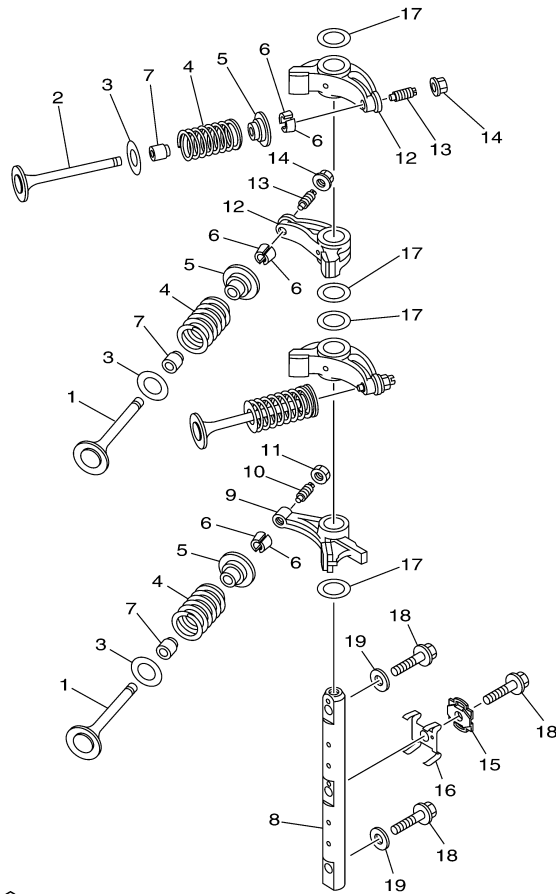
©2014 Yamaha Motor Corporation, U.S.A. All rights reserved.

## Part List

T25LA 0113 / CYLINDER CRANKCASE 2

| REF<br>-<br>NO | PART<br>NUMBER  | PART NAME                | QUANTITY | REMARKS |
|----------------|-----------------|--------------------------|----------|---------|
| 1              | 6BL-W009A-01-1S | CYLINDER HEAD COMPLETE   | 1        |         |
| 2              | 6BL-11111-10-1S | HEAD, CYLINDER 1         | 1        |         |
| 3              | 62Y-11133-30-00 | .GUIDE, VALVE 1          | 4        |         |
| 4              | 6BL-11325-00-00 | ANODE                    | 2        |         |
| 5              | 98980-05035-00  | SCREW, BIND              | 2        |         |
| 6              | 6G8-11197-01-00 | PLUG, BLIND              | 2        |         |
| 7              | 93210-13M63-00  | .O-RING                  | 2        |         |
| 8              | 90109-06M65-00  | BOLT                     | 1        |         |
| 9              | 90430-06014-00  | .GASKET                  | 1        |         |
| 10             | 6BL-11181-00-00 | .GASKET, CYLINDER HEAD 1 | 1        |         |
| 11             | 93606-12019-00  | .PIN, DOWEL              | 2        |         |
| 12             | 90105-09009-00  | BOLT, FLANGE             | 6        |         |
| 13             | 90119-06MA3-00  | BOLT, WITH WASHER        | 3        |         |
| 14             | 6BL-11191-00-1S | COVER, CYLINDER HEAD 1   | 1        |         |
| 15             | 62Y-14485-00-00 | .PIPE, JOINT             | 1        |         |
| 16             | 6BG-11168-00-00 | COVER, BREATHER          | 1        |         |
| 17             | 98507-04010-00  | SCREW, PAN HEAD          | 4        |         |
| 18             | 92907-04600-00  | WASHER                   | 4        |         |
| 19             | 6BL-11356-00-00 | .SEAL, CYLINDER 2        | 1        |         |
| 20             | 97095-06020-00  | BOLT                     | 5        |         |
| 21             | 92995-06600-00  | WASHER                   | 5        |         |
| 22             | 62Y-11119-00-00 | HANGER, ENGINE           | 1        |         |
| 23             | 97095-06020-00  | BOLT                     | 2        |         |
| 24             | 92995-06600-00  | WASHER                   | 2        |         |
| 25             | 90464-09023-00  | CLAMP                    | 1        |         |
| 26             | 90465-08M83-00  | CLAMP                    | 1        |         |
| 27             | 97095-06012-00  | BOLT                     | 1        |         |
| 28             | 92995-06600-00  | WASHER                   | 1        |         |
| 29             | 6G8-15363-00-00 | PLUG, OIL                | 1        |         |
| 30             | 93210-24M79-00  | .O-RING                  | 1        |         |
| 31             | 6BL-82398-00-00 | PLATE 3                  | 1        |         |
| 32             | 90464-06001-00  | CLAMP                    | 1        |         |
| 33             | DPR-6EB90-00-00 | PLUG, SPARK (NGK DPR6EB) | 2        |         |

T25LA 0113 / VALVE



6BP1100-H050

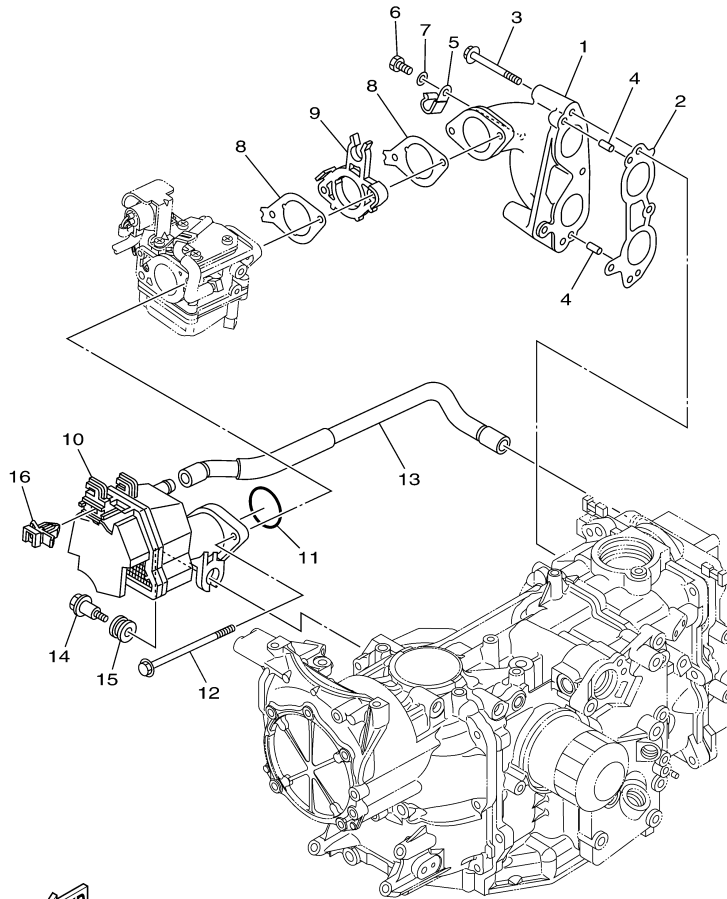
©2014 Yamaha Motor Corporation, U.S.A. All rights reserved.

## Part List

T25LA 0113 / VALVE

| REF<br>-<br>NO | PART<br>NUMBER  | PART NAME                      | QUANTITY | REMARKS |
|----------------|-----------------|--------------------------------|----------|---------|
| 1              | 69W-12111-00-00 | VALVE, INTAKE                  | 2        |         |
| 2              | 69W-12121-10-00 | VALVE, EXHAUST                 | 2        |         |
| 3              | 62Y-12116-00-00 | SEAT, VALVE SPRING             | 4        |         |
| 4              | 51Y-12114-00-00 | SPRING, VALVE OUTER            | 4        |         |
| 5              | 30X-12117-00-00 | RETAINER, VALVE SPRING         | 4        |         |
| 6              | 30X-12118-00-00 | LOCK, VALVE SPRING<br>RETAINER | 8        |         |
| 7              | 51Y-12119-00-00 | SEAL, VALVE STEM               | 4        |         |
| 8              | 6BL-12146-00-00 | SHAFT, ROCKER                  | 1        |         |
| 9              | 62Y-12151-00-00 | ARM, VALVE ROCKER              | 1        |         |
| 10             | 64J-12159-00-00 | SCREW, VALVE ADJUSTING         | 1        |         |
| 11             | 62Y-12158-00-00 | NUT, LOCK                      | 1        |         |
| 12             | 6C5-12151-00-00 | ARM, VALVE ROCKER              | 3        |         |
| 13             | 6C5-12159-00-00 | SCREW, VALVE ADJUSTING         | 3        |         |
| 14             | 6C5-12158-00-00 | NUT, LOCK                      | 3        |         |
| 15             | 6BL-12231-00-00 | GUIDE, STOPPER 1               | 1        |         |
| 16             | 6BL-12233-00-00 | PLATE, GUIDE STOPPER 1         | 1        |         |
| 17             | 90201-16014-00  | WASHER, PLATE                  | 4        |         |
| 18             | 90105-08060-00  | BOLT, FLANGE                   | 3        |         |
| 19             | 92990-08200-00  | WASHER, PLAIN                  | 2        |         |

T25LA 0113 / INTAKE



6BP1100-H060

©2014 Yamaha Motor Corporation, U.S.A. All rights reserved.

## Part List

T25LA 0113 / INTAKE

| REF<br>-<br>NO | PART<br>NUMBER  | PART NAME             | QUANTITY | REMARKS |
|----------------|-----------------|-----------------------|----------|---------|
| 1              | 6BL-13641-00-94 | MANIFOLD, INTAKE 1    | 1        |         |
| 2              | 6BL-13645-00-00 | .GASKET, MANIFOLD 1   | 1        |         |
| 3              | 97595-06555-00  | BOLT, WITH WASHER     | 4        |         |
| 4              | 91690-50014-00  | PIN, SPRING           | 2        |         |
| 5              | 90465-08M83-00  | CLAMP                 | 1        |         |
| 6              | 97095-06016-00  | BOLT                  | 1        |         |
| 7              | 92995-06600-00  | WASHER                | 1        |         |
| 8              | 6BL-13646-00-00 | .GASKET, MANIFOLD 2   | 2        |         |
| 9              | 6BL-14271-00-00 | INSULATOR             | 1        |         |
| 10             | 6BL-14440-00-00 | SILENCER ASSY, INTAKE | 1        |         |
| 11             | 93210-39ME4-00  | .O-RING               | 1        |         |
| 12             | 95895-06100-00  | BOLT, FLANGE          | 2        |         |
| 13             | 6BL-15373-00-00 | PIPE, BREATHER        | 1        |         |
| 14             | 90109-06MA1-00  | BOLT                  | 1        |         |
| 15             | 90480-16616-00  | GROMMET               | 1        |         |
| 16             | 90464-09M47-00  | CLAMP                 | 1        |         |

T25LA 0113 / CARBURETOR



©2014 Yamaha Motor Corporation, U.S.A. All rights reserved.


## Part List

T25LA 0113 / CARBURETOR

| REF<br>-<br>NO | PART<br>NUMBER  | PART NAME              | QUANTITY | REMARKS |
|----------------|-----------------|------------------------|----------|---------|
| 1              | 6BL-14301-00-00 | CARBURETOR ASSY 1      | 1        |         |
| 2              | 98580-04006-00  | .SCREW, PAN HEAD       | 1        |         |
| 3              | 65W-14572-00-00 | .PLATE                 | 1        |         |
| 4              | 65W-14126-10-00 | .GASKET                | 1        |         |
| 5              | 97803-04010-00  | .SCREW, PAN HEAD       | 4        |         |
| 6              | 676-14948-05-00 | .JET (#45)             | 1        |         |
| 7              | 679-14966-00-00 | .RUBBER CAP            | 1        |         |
| 8              | 90501-10326-00  | .SPRING, COMPRESSION   | 1        |         |
| 9              | 63V-14523-00-00 | .SCREW, STOP           | 1        |         |
| 10             | 65W-14947-90-00 | .JET, NEEDLE           | 1        |         |
| 11             | 65W-14943-79-00 | .JET, MAIN (#108)      | 1        |         |
| 12             | 63V-14985-00-00 | .FLOAT                 | 1        |         |
| 13             | 6AH-14546-00-00 | .VALVE, NEEDLE         | 1        |         |
| 14             | 663-14159-00-00 | .CLIP                  | 1        |         |
| 15             | 98580-04008-00  | .SCREW, PAN HEAD       | 1        |         |
| 16             | 6H4-14548-00-00 | .PIN, FLOAT ARM        | 1        |         |
| 17             | 65W-14373-02-00 | .COVER, PLUNGER CAP    | 1        |         |
| 18             | 65W-1439G-00-00 | .CLIP 1                | 1        |         |
| 19             | 65W-14379-00-00 | .ROD, STARTER          | 1        |         |
| 20             | 67C-14923-00-00 | .SCREW, PILOT          | 1        |         |
| 21             | 67C-14397-00-00 | .O-RING                | 1        |         |
| 22             | 67C-14555-00-00 | .SPRING                | 1        |         |
| 23             | 65W-14335-00-00 | .SPRING, PLUNGER       | 1        |         |
| 24             | 65W-14371-00-00 | .PLUNGER, STARTER      | 1        |         |
| 25             | 65W-14384-00-00 | .GASKET, FLOAT CHAMBER | 1        |         |
| 26             | 65W-14980-20-00 | .BODY, FLOAT CHAMBER   | 1        |         |
| 27             | 65W-14398-00-00 | .GASKET                | 1        |         |
| 28             | 65W-14992-00-00 | .SCREW, DRAIN          | 1        |         |
| 29             | 97980-04114-00  | .SCREW, WITH WASHER    | 4        |         |
| 30             | 6BL-14380-00-00 | .PRIME STARTER ASSY    | 1        |         |
| 31             | 65W-14346-00-00 | .PLATE                 | 1        |         |
| 32             | 67C-14567-00-00 | .SCREW                 | 1        |         |
| 33             | 67F-14255-00-00 | .PLATE                 | 1        |         |
| 34             | 65W-14807-00-00 | .HOSE COMP             | 1        |         |
| 35             | 6BL-14346-00-00 | .PLATE                 | 1        |         |
| 36             | 97980-04108-00  | .SCREW, WITH WASHER    | 2        |         |
| 37             | 67C-1432A-00-00 | .PLUG                  | 1        |         |

## Part Notes

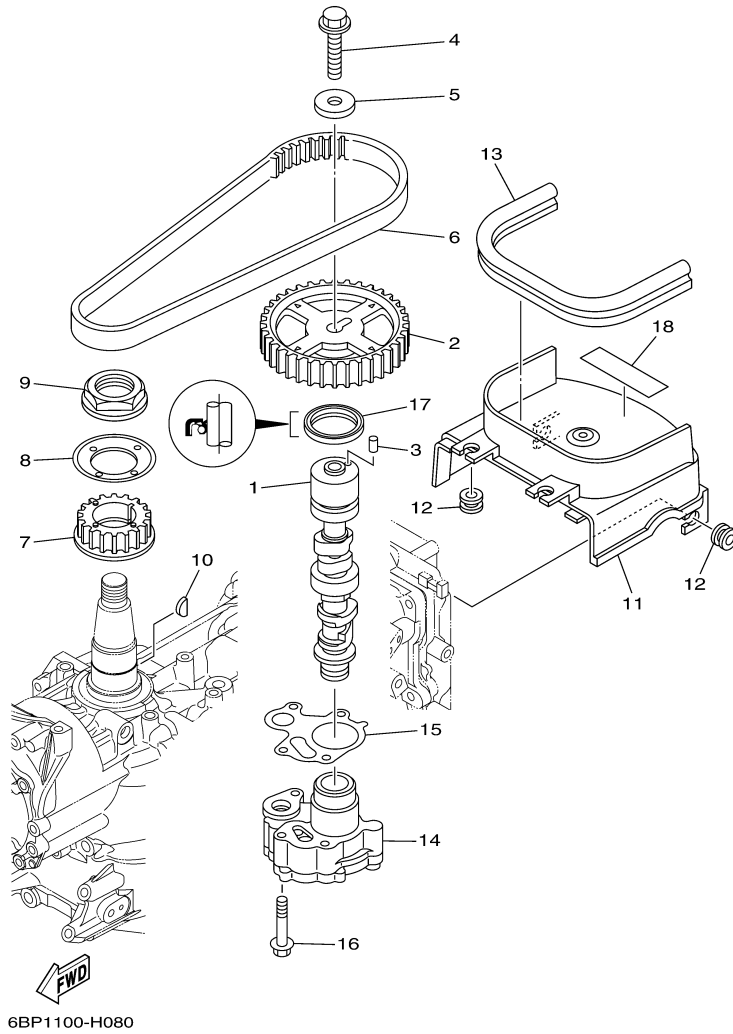
T25LA 0113 / CARBURETOR

| PART<br>NUMBER  | NOTE TEXT   |
|-----------------|---|
| 6BL-14380-00-00 |  OEM: The O-Ring for sealing this part to the carburetor body is not shown separately. The Part Number for the O-Ring is 93210-17001-00. |

©2014 Yamaha Motor Corporation, U.S.A. All rights reserved.



T25LA 0113 / OIL PUMP



©2014 Yamaha Motor Corporation, U.S.A. All rights reserved.


## Part List

T25LA 0113 / OIL PUMP

| REF<br>-<br>NO | PART<br>NUMBER  | PART NAME           | QUANTITY | REMARKS |
|----------------|-----------------|---------------------|----------|---------|
| 1              | 6BL-12171-00-00 | CAMSHAFT 1          | 1        |         |
| 2              | 6C5-11537-00-00 | GEAR, DRIVEN        | 1        |         |
| 3              | 93605-17002-00  | PIN, DOWEL          | 1        |         |
| 4              | 95817-10035-00  | BOLT, FLANGE        | 1        |         |
| 5              | 90201-10144-00  | WASHER, PLATE       | 1        |         |
| 6              | 6C5-46241-00-00 | BELT                | 1        |         |
| 7              | 6C5-11536-00-00 | GEAR, DRIVE         | 1        |         |
| 8              | 62Y-11557-00-00 | WASHER 1            | 1        |         |
| 9              | 90179-35001-00  | NUT                 | 1        |         |
| 10             | 90280-03M01-00  | .KEY, WOODRUFF      | 1        |         |
| 11             | 6BL-46297-00-00 | COVER, DUST         | 1        |         |
| 12             | 90480-12314-00  | GROMMET             | 4        |         |
| 13             | 6BL-42617-00-00 | DAMPER, FORM        | 1        |         |
| 14             | 6BL-13300-00-00 | OIL PUMP ASSY       | 1        |         |
| 15             | 6C5-13329-00-00 | .GASKET, PUMP COVER | 1        |         |
| 16             | 90119-06025-00  | BOLT, WITH WASHER   | 4        |         |
| 17             | 93102-37M40-00  | .OIL SEAL           | 1        |         |
| 18             | 6BP-13437-50-00 | MARK, CAUTION       | 1        |         |

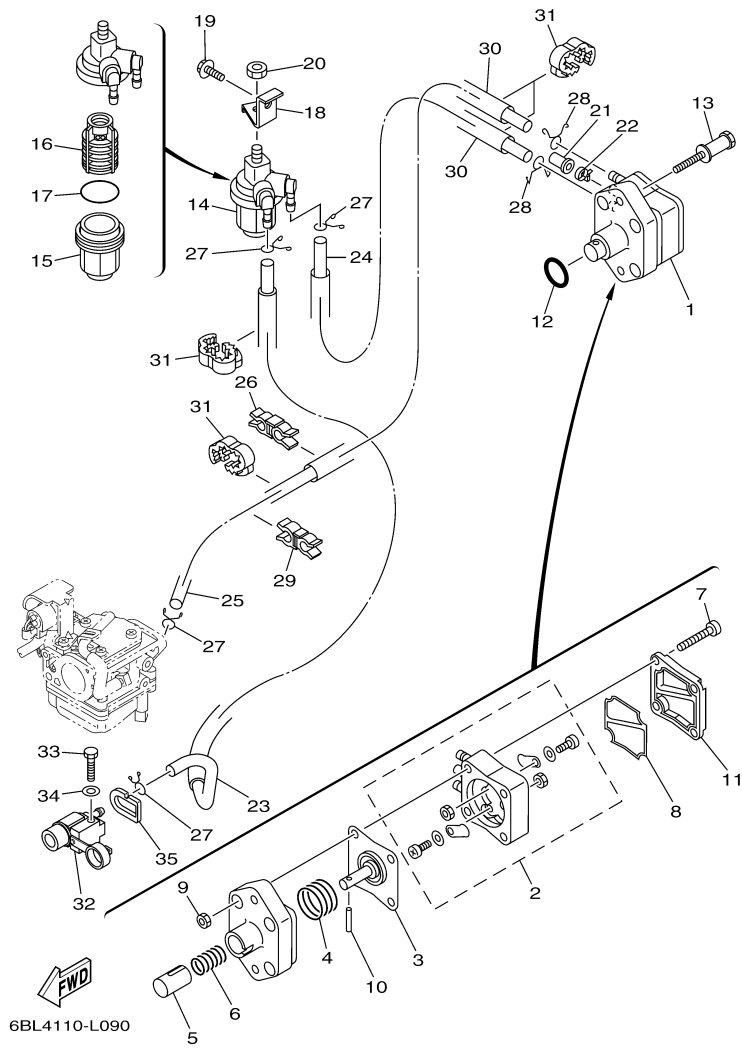
## Part Notes

T25LA 0113 / OIL PUMP

| PART NUMBER   | NOTE TEXT   |
|---|---|
| 90480-12314-00  | OEM: GROMMET used on F115TLR and F/LF115TXR 0510 Production and Later |

©2014 Yamaha Motor Corporation, U.S.A. All rights reserved.

T25LA 0113 / FUEL



©2014 Yamaha Motor Corporation, U.S.A. All rights reserved.


## Part List

T25LA 0113 / FUEL

| REF<br>-<br>NO | PART<br>NUMBER  | PART NAME               | QUANTITY | REMARKS |
|----------------|-----------------|-------------------------|----------|---------|
| 1              | 62Y-24410-04-00 | FUEL PUMP ASSY          | 1        |         |
| 2              | 62Y-24415-01-00 | .BODY 4                 | 1        |         |
| 3              | 62Y-24411-02-00 | .DIAPHRAGM              | 1        |         |
| 4              | 62Y-24423-00-00 | .SPRING, DIAPHRAGM      | 1        |         |
| 5              | 62Y-13131-01-00 | .PLUNGER                | 1        |         |
| 6              | 62Y-24454-00-00 | .SPRING                 | 1        |         |
| 7              | 62Y-24444-01-00 | .SCREW                  | 4        |         |
| 8              | 6C5-24471-00-00 | .DIAPHRAGM              | 1        |         |
| 9              | 95380-05600-00  | .NUT                    | 4        |         |
| 10             | 62Y-24374-01-00 | .PIN                    | 1        |         |
| 11             | 6C5-24414-00-00 | .BODY 3                 | 1        |         |
| 12             | 93210-24M79-00  | .O-RING                 | 1        |         |
| 13             | 90109-06266-00  | BOLT                    | 2        |         |
| 14             | 61N-24560-10-00 | FILTER ASSY             | 1        |         |
| 15             | 61N-24521-00-00 | .CUP, FILTER            | 1        |         |
| 16             | 61N-24563-10-00 | .ELEMENT, FILTER        | 1        |         |
| 17             | 93210-32738-00  | .O-RING                 | 1        |         |
| 18             | 6D5-24566-00-00 | BRACKET, FILTER         | 1        |         |
| 19             | 95895-08016-00  | BOLT, FLANGE            | 1        |         |
| 20             | 95380-08600-00  | NUT                     | 1        |         |
| 21             | 6BL-24481-00-00 | PLUG                    | 1        |         |
| 22             | 90465-11M10-00  | CLAMP                   | 1        |         |
| 23             | 6BL-24311-10-00 | PIPE, FUEL 1            | 1        |         |
| 24             | 90445-10050-00  | HOSE (L150)             | 1        |         |
| 25             | 90445-10053-00  | HOSE (L350)             | 1        |         |
| 26             | 90464-11009-00  | CLAMP                   | 1        |         |
| 27             | 90467-09M17-00  | CLIP                    | 4        |         |
| 28             | 90467-10M04-00  | CLIP                    | 2        |         |
| 29             | 90464-11009-00  | CLAMP                   | 1        |         |
| 30             | 90446-15003-00  | HOSE (L100)             | 2        |         |
| 31             | 90464-13227-00  | CLAMP                   | 4        |         |
| 32             | 6YL-24304-01-00 | FUEL PIPE JOINT COMP. 1 | 1        |         |
| 33             | 97095-06025-00  | BOLT                    | 1        |         |
| 34             | 92995-06600-00  | WASHER                  | 1        |         |
| 35             | 61N-24329-00-00 | SEAL                    | 1        |         |

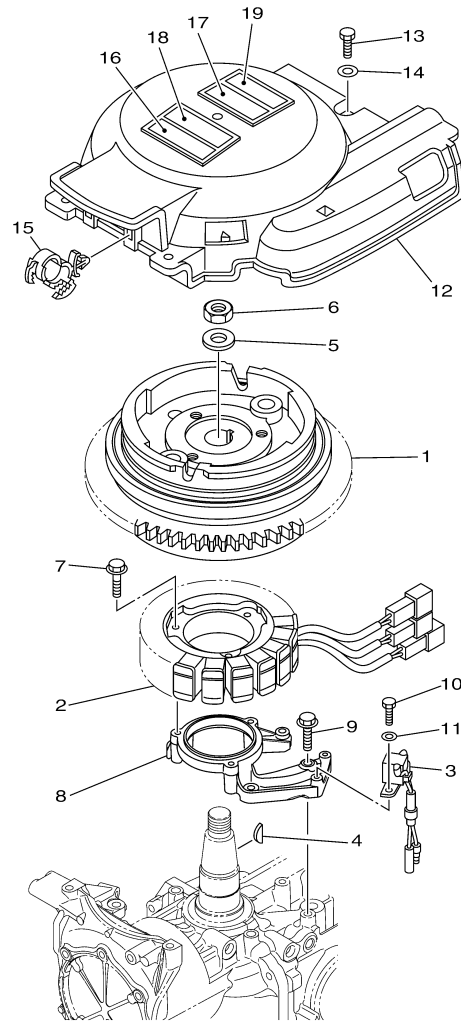
## Part Notes

T25LA 0113 / FUEL

| PART NUMBER   | NOTE TEXT  |
|---|--|
| 61N-24563-10-00  | OEM: This part number is among the Top 100 Most Popular Marine Maintenance Parts as of March 2014. |

©2014 Yamaha Motor Corporation, U.S.A. All rights reserved.

T25LA 0113 / GENERATOR



6BL5100-L100

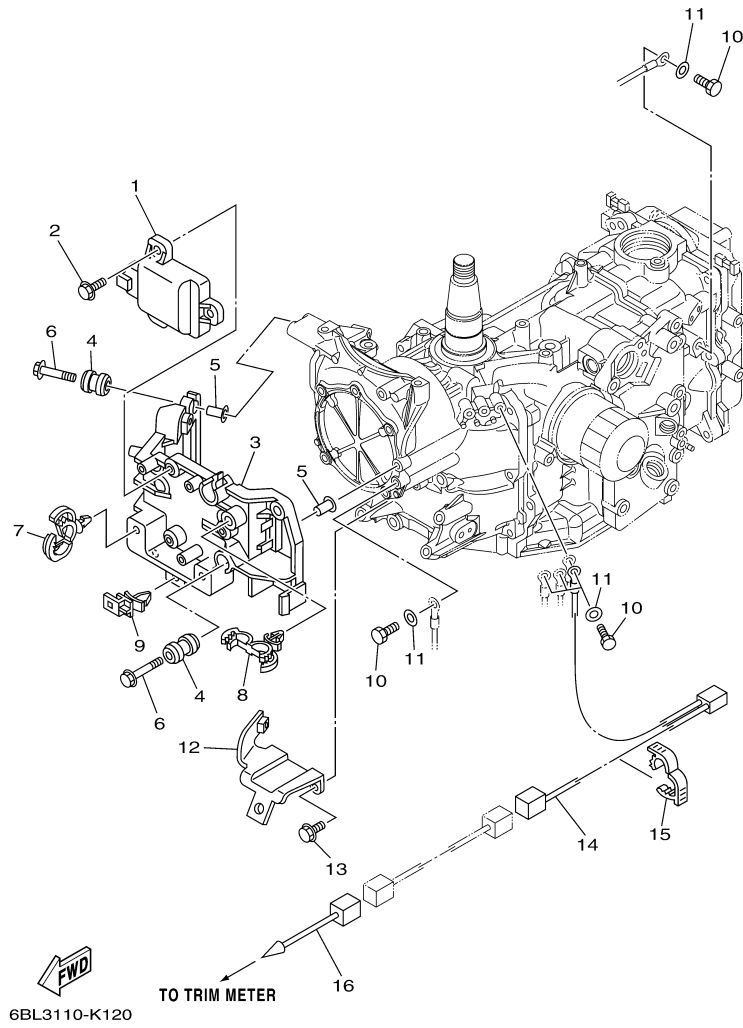
©2014 Yamaha Motor Corporation, U.S.A. All rights reserved.

## Part List

T25LA 0113 / GENERATOR

| REF<br>-<br>NO | PART<br>NUMBER  | PART NAME       | QUANTITY | REMARKS |
|----------------|-----------------|-----------------|----------|---------|
| 1              | 6BL-85550-00-00 | ROTOR ASSY      | 1        |         |
| 2              | 6BL-85510-00-00 | STATOR ASSY     | 1        |         |
| 3              | 6AH-85580-00-00 | COIL, PULSER    | 1        |         |
| 4              | 6H4-11545-00-00 | KEY, WOODRUFF   | 1        |         |
| 5              | 90201-21M18-00  | WASHER, PLATE   | 1        |         |
| 6              | 90170-20137-00  | NUT             | 1        |         |
| 7              | 95023-06030-00  | BOLT            | 3        |         |
| 8              | 6BG-85561-00-94 | BASE, MAGNETO   | 1        |         |
| 9              | 95023-06025-00  | BOLT            | 4        |         |
| 10             | 97095-05016-00  | .BOLT           | 2        |         |
| 11             | 92995-05600-00  | WASHER          | 2        |         |
| 12             | 6BL-81337-00-00 | COVER, FLYWHEEL | 1        |         |
| 13             | 97095-06020-00  | BOLT            | 3        |         |
| 14             | 92995-06600-00  | WASHER          | 3        |         |
| 15             | 90464-12183-00  | CLAMP           | 2        |         |
| 16             | 6AH-81994-40-00 | LABEL, SAFETY   | 1        |         |
| 17             | 6AH-81995-40-00 | LABEL, WARNING  | 1        |         |
| 18             | 6AH-81994-50-00 | LABEL, SAFETY   | 1        |         |
| 19             | 6AH-81995-50-00 | LABEL, WARNING  | 1        |         |

T25LA 0113 / ELECTRICAL 1



©2014 Yamaha Motor Corporation, U.S.A. All rights reserved.

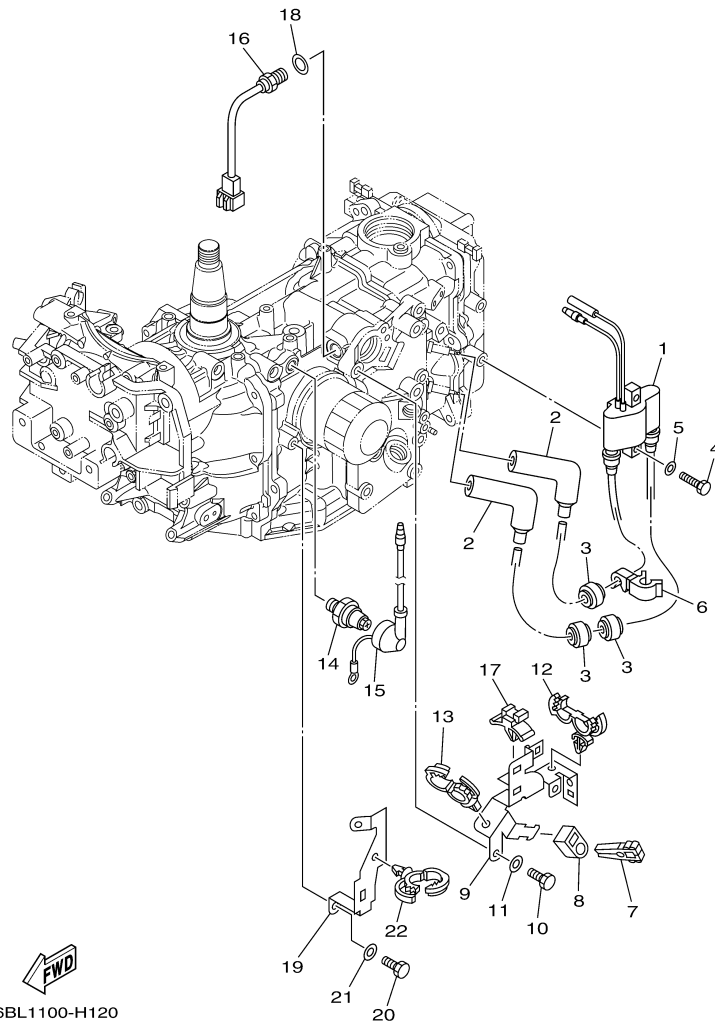
## Part List

T25LA 0113 / ELECTRICAL 1

| REF<br>-<br>NO | PART<br>NUMBER  | PART NAME             | QUANTITY | REMARKS |
|----------------|-----------------|-----------------------|----------|---------|
| 1              | 6BL-85540-00-00 | C.D.I. UNIT ASSY      | 1        |         |
| 2              | 97575-06520-00  | BOLT, WITH WASHER     | 3        |         |
| 3              | 6BL-81948-00-00 | BRACKET               | 1        |         |
| 4              | 6A0-82317-00-00 | DAMPER, IGNITION COIL | 4        |         |
| 5              | 90387-06119-00  | COLLAR                | 4        |         |
| 6              | 95895-06030-00  | BOLT, FLANGE          | 4        |         |
| 7              | 90464-12183-00  | CLAMP                 | 2        |         |
| 8              | 90464-18246-00  | CLAMP                 | 2        |         |
| 9              | 90464-12002-00  | .CLAMP                | 1        |         |
| 10             | 97095-06016-00  | BOLT                  | 5        |         |
| 11             | 92995-06600-00  | WASHER                | 5        |         |
| 12             | 6BL-82554-00-00 | STAY, NEUTRAL SWITCH  | 1        |         |
| 13             | 95895-06014-00  | BOLT, FLANGE          | 2        |         |
| 14             | 6BL-82553-00-00 | EXTENSION, WIRE LEAD  | 1        |         |
| 15             | 90464-18004-00  | CLAMP                 | 1        |         |
| 16             | 6BL-8350U-00-00 | WIRE, LEAD            | 1        | AP      |



T25LA 0113 / ELECTRICAL 2



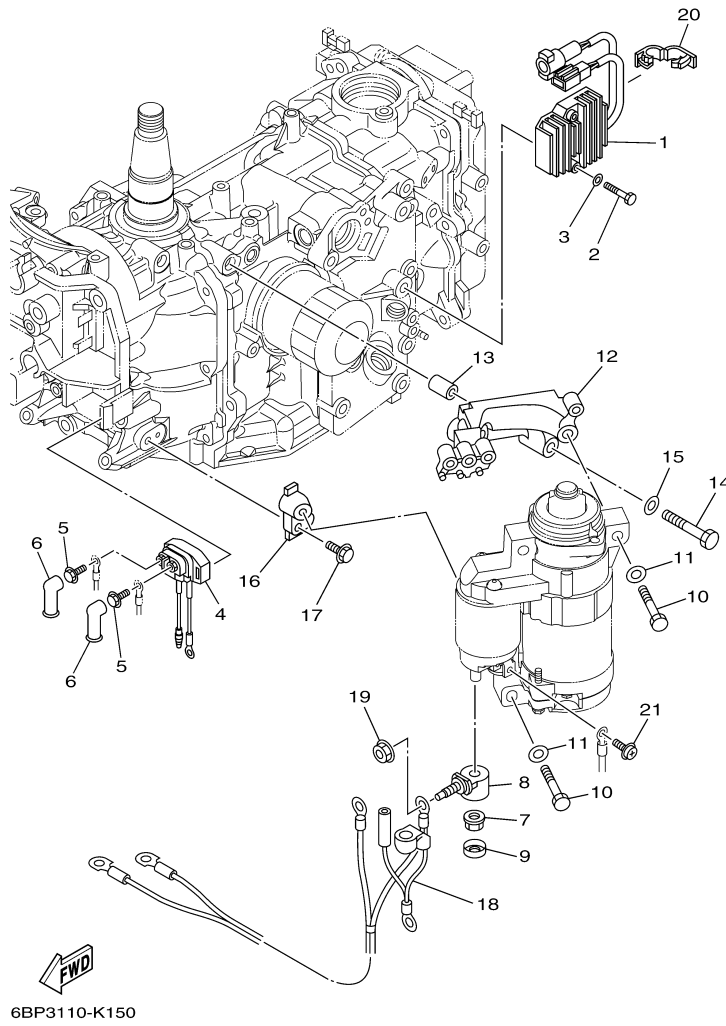
©2014 Yamaha Motor Corporation, U.S.A. All rights reserved.

## Part List

T25LA 0113 / ELECTRICAL 2

| REF<br>-<br>NO | PART<br>NUMBER  | PART NAME                | QUANTITY | REMARKS |
|----------------|-----------------|--------------------------|----------|---------|
| 1              | 6F5-85570-13-00 | IGNITION COIL ASSY       | 1        |         |
| 2              | 6AH-82370-00-00 | PLUG CAP ASSY            | 2        |         |
| 3              | 90480-25003-00  | GROMMET                  | 3        |         |
| 4              | 97095-06025-00  | BOLT                     | 2        |         |
| 5              | 92995-06600-00  | WASHER                   | 2        |         |
| 6              | 90464-09018-00  | CLAMP                    | 1        |         |
| 7              | 67F-2812A-00-00 | .PULLER, FUSE            | 1        |         |
| 8              | 67C-82155-00-00 | BAND                     | 1        |         |
| 9              | 6BL-8339X-00-00 | CLAMP, CORD              | 1        |         |
| 10             | 97095-06016-00  | BOLT                     | 2        |         |
| 11             | 92995-06600-00  | WASHER                   | 2        |         |
| 12             | 90464-18246-00  | CLAMP                    | 1        |         |
| 13             | 90464-20181-00  | CLAMP                    | 1        |         |
| 14             | 64J-82504-00-00 | OIL PRESSURE SWITCH ASSY | 1        |         |
| 15             | 68V-81315-00-00 | LEAD WIRE ASSY           | 1        |         |
| 16             | 6CJ-85790-00-00 | THERMOSENSOR ASSY        | 1        |         |
| 17             | 90464-09M47-00  | CLAMP                    | 1        |         |
| 18             | 90430-14115-00  | .GASKET                  | 1        |         |
| 19             | 6BL-82389-00-00 | PLATE 2                  | 1        |         |
| 20             | 97095-06016-00  | BOLT                     | 2        |         |
| 21             | 92995-06600-00  | WASHER                   | 2        |         |
| 22             | 90464-20181-00  | CLAMP                    | 1        |         |

T25LA 0113 / ELECTRICAL 3



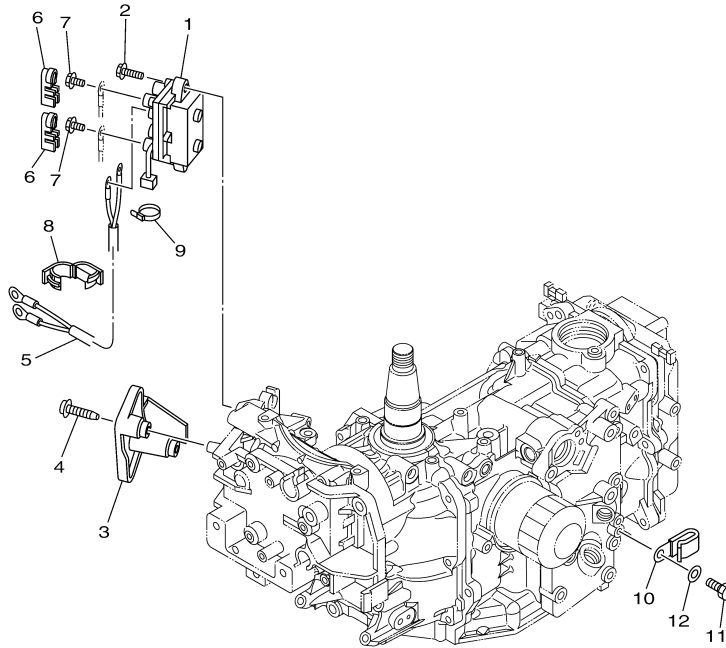
©2014 Yamaha Motor Corporation, U.S.A. All rights reserved.

## Part List

T25LA 0113 / ELECTRICAL 3

| REF<br>-<br>NO | PART<br>NUMBER  | PART NAME                     | QUANTITY | REMARKS |
|----------------|-----------------|-------------------------------|----------|---------|
| 1              | 6BL-81960-00-00 | RECTIFIER & REGULATOR<br>ASSY | 1        |         |
| 2              | 97095-06040-00  | .BOLT                         | 2        |         |
| 3              | 92995-06600-00  | WASHER                        | 2        |         |
| 4              | 68T-81940-00-00 | STARTER RELAY ASSY            | 1        |         |
| 5              | 97595-06610-00  | BOLT, WITH WASHER             | 2        |         |
| 6              | 6G5-82119-10-00 | COVER, LEAD WIRE              | 2        |         |
| 7              | 6BL-8182A-00-00 | NUT                           | 1        |         |
| 8              | 6BL-81925-00-00 | TERMINAL                      | 1        |         |
| 9              | 6BL-8183X-00-00 | CAP, TERMINAL                 | 1        |         |
| 10             | 97013-08045-00  | BOLT                          | 3        |         |
| 11             | 92903-08600-00  | WASHER, PLATE                 | 3        |         |
| 12             | 6BL-81822-00-00 | BRACKET, STARTING MOTOR       | 1        |         |
| 13             | 99590-10114-00  | .PIN, DOWEL                   | 2        |         |
| 14             | 97013-08045-00  | BOLT                          | 2        |         |
| 15             | 92903-08600-00  | WASHER, PLATE                 | 2        |         |
| 16             | 6BL-81823-00-00 | STAY, STARTING MOTOR          | 1        |         |
| 17             | 97575-06520-00  | BOLT, WITH WASHER             | 1        |         |
| 18             | 6BL-82105-U0-00 | BATTERY CABLE                 | 1        |         |
| 19             | 90179-08003-00  | NUT                           | 1        |         |
| 20             | 90464-18004-00  | CLAMP                         | 1        |         |
| 21             | 90159-05M12-00  | SCREW, WITH WASHER            | 1        |         |

T25LA 0113 / ELECTRICAL 4



6BP3110-K160

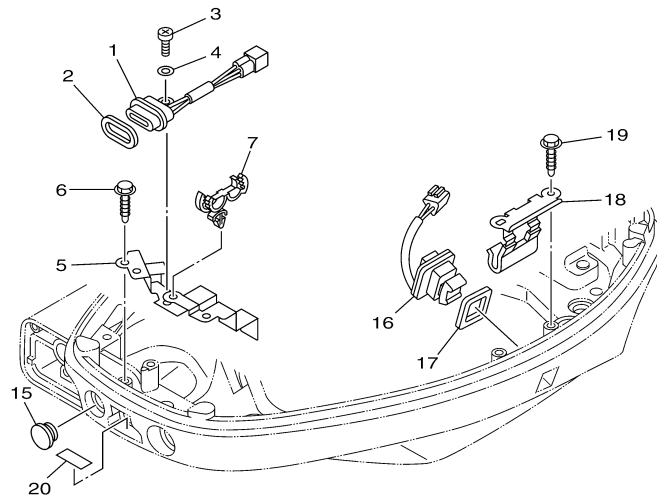
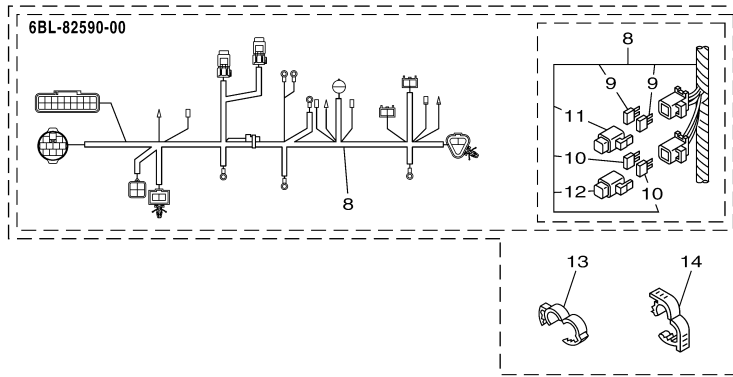
©2014 Yamaha Motor Corporation, U.S.A. All rights reserved.

## Part List

T25LA 0113 / ELECTRICAL 4

| REF<br>-<br>NO | PART<br>NUMBER  | PART NAME         | QUANTITY | REMARKS |
|----------------|-----------------|-------------------|----------|---------|
| 1              | 63P-81950-00-00 | RELAY ASSY        | 1        |         |
| 2              | 97575-06520-00  | BOLT, WITH WASHER | 2        |         |
| 3              | 6BL-81942-00-00 | COVER             | 1        |         |
| 4              | 90167-05009-00  | SCREW, TAPPING    | 2        |         |
| 5              | 6BL-81949-00-00 | WIRE, LEAD        | 1        |         |
| 6              | 6P2-8183X-00-00 | CAP, TERMINAL     | 2        |         |
| 7              | 97595-06610-00  | BOLT, WITH WASHER | 2        |         |
| 8              | 90464-18004-00  | CLAMP             | 1        |         |
| 9              | 90465-11M10-00  | CLAMP             | 2        |         |
| 10             | 90465-06M90-00  | CLAMP             | 1        |         |
| 11             | 97095-06016-00  | BOLT              | 1        |         |
| 12             | 92995-06600-00  | WASHER            | 1        |         |

T25LA 0113 / ELECTRICAL 5



6BL1100-H150

©2014 Yamaha Motor Corporation, U.S.A. All rights reserved.

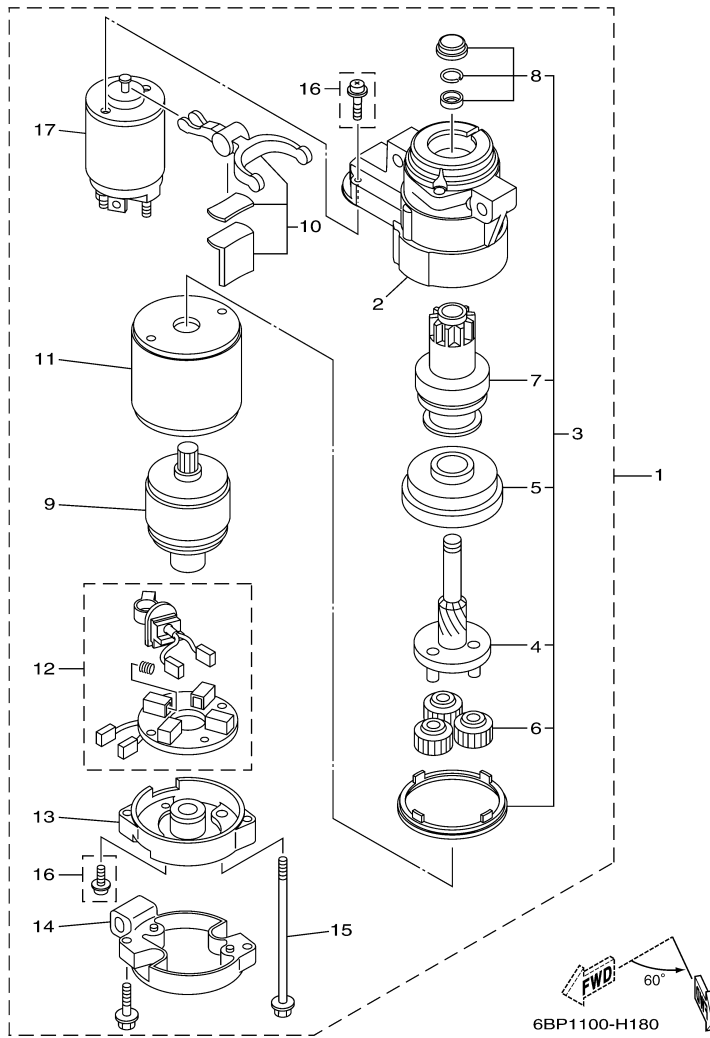
## Part List

T25LA 0113 / ELECTRICAL 5

| REF<br>-<br>NO | PART<br>NUMBER  | PART NAME               | QUANTITY | REMARKS |
|----------------|-----------------|-------------------------|----------|---------|
| 1              | 62Y-84301-00-00 | PILOT LIGHT ASSY 1      | 1        |         |
| 2              | 6H4-83589-00-00 | GASKET                  | 1        |         |
| 3              | 97885-06012-00  | SCREW, PAN HEAD         | 1        |         |
| 4              | 92995-06600-00  | WASHER                  | 1        |         |
| 5              | 6BL-82388-00-00 | PLATE                   | 1        |         |
| 6              | 90109-06M86-00  | BOLT                    | 2        |         |
| 7              | 90464-18246-00  | CLAMP                   | 1        |         |
| 8              | 6BL-82590-00-00 | WIRE HARNESS ASSY       | 1        |         |
| 9              | 67F-82151-00-00 | .FUSE (20A)             | 2        |         |
| 10             | 67F-82151-10-00 | .FUSE (30A)             | 2        |         |
| 11             | 67F-8215B-10-00 | .CAP (YELLOW)           | 1        |         |
| 12             | 67F-8215B-20-00 | .CAP (GREEN)            | 1        |         |
| 13             | 90464-16001-00  | CLAMP                   | 1        |         |
| 14             | 90464-18004-00  | CLAMP                   | 1        |         |
| 15             | 6G1-42725-00-00 | GROMMET                 | 1        |         |
| 16             | 69J-82563-00-00 | TRIM & TILT SWITCH ASSY | 1        |         |
| 17             | 69J-82587-00-00 | GASKET                  | 1        |         |
| 18             | 63P-83614-01-00 | BRACKET                 | 1        |         |
| 19             | 90109-06M86-00  | BOLT                    | 2        |         |
| 20             | 67C-85415-00-00 | MARK, SIGNAL LAMP       | 1        |         |



T25LA 0113 / STARTING MOTOR



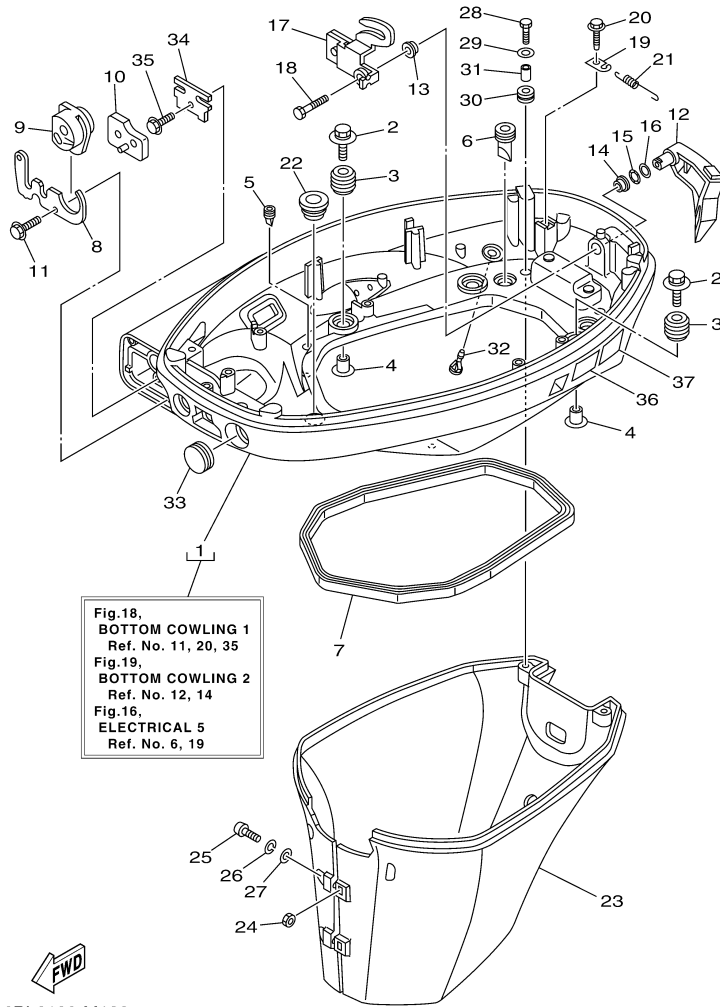
©2014 Yamaha Motor Corporation, U.S.A. All rights reserved.

## Part List

T25LA 0113 / STARTING MOTOR

| REF<br>-<br>NO | PART<br>NUMBER  | PART NAME                     | QUANTITY | REMARKS |
|----------------|-----------------|-------------------------------|----------|---------|
| 1              | 6BG-81800-00-00 | STARTING MOTOR ASSY           | 1        |         |
| 2              | 6BG-81830-00-00 | .FRONT BRACKET ASSY           | 1        |         |
| 3              | 6BG-81807-00-00 | .GEAR ASSY, STARTING<br>MOTOR | 1        |         |
| 4              | 6BG-81836-00-00 | ..SPRING, LEVER               | 1        |         |
| 5              | 6BG-81891-00-00 | ..GEAR, RING                  | 1        |         |
| 6              | 6AW-8183T-00-00 | ..GEAR, IDLER                 | 3        |         |
| 7              | 6BG-81832-00-00 | ..CLUTCH, OVER RUN            | 1        |         |
| 8              | 6BG-81857-00-00 | ..RETAINER                    | 1        |         |
| 9              | 6BG-81850-00-00 | .ARMATURE ASSY                | 1        |         |
| 10             | 6BG-81839-00-00 | .LEVER ASSY                   | 1        |         |
| 11             | 6BG-81810-00-00 | .STATOR ASSY                  | 1        |         |
| 12             | 6BG-81840-00-00 | .BRUSH HOLDER ASSY            | 1        |         |
| 13             | 6BG-81820-00-00 | .REAR BRACKET ASSY            | 1        |         |
| 14             | 6BG-8182J-00-00 | .BRACKET COMPLETE             | 1        |         |
| 15             | 6BG-81826-00-00 | .BOLT                         | 2        |         |
| 16             | 6BG-81846-00-00 | .SCREW SET                    | 1        |         |
| 17             | 6BG-81941-00-00 | .STARTER RELAY ASSY           | 1        |         |

T25LA 0113 / BOTTOM COWLING 1



©2014 Yamaha Motor Corporation, U.S.A. All rights reserved.


## Part List

T25LA 0113 / BOTTOM COWLING 1

| REF - NO | PART NUMBER     | PART NAME                | QUANTITY | REMARKS |
|----------|-----------------|--------------------------|----------|---------|
| 1        | 6BP-42710-00-4D | BOTTOM COWLING ASSY      | 1        |         |
| 2        | 90119-06M61-00  | BOLT, WITH WASHER        | 4        |         |
| 3        | 6BG-42748-00-00 | GROMMET                  | 4        |         |
| 4        | 90387-06M69-00  | COLLAR                   | 4        |         |
| 5        | 65W-42717-00-00 | RUBBER, SEAL 2           | 2        |         |
| 6        | 61A-42717-00-00 | RUBBER, SEAL 2           | 2        |         |
| 7        | 62Y-42716-00-00 | RUBBER, SEAL 1           | 1        |         |
| 8        | 6BL-42761-00-00 | .STOPPER                 | 1        |         |
| 9        | 6BL-42725-01-00 | GROMMET                  | 1        |         |
| 10       | 6BL-42727-00-00 | .GROMMET                 | 1        |         |
| 11       | 90109-06M86-00  | BOLT                     | 2        |         |
| 12       | 6BL-42815-00-4D | LEVER, CLAMP             | 1        |         |
| 13       | 90386-12M37-00  | BUSH                     | 1        |         |
| 14       | 90386-12MA2-00  | BUSH                     | 1        |         |
| 15       | 90206-12052-00  | WASHER, WAVE             | 1        |         |
| 16       | 90201-12M07-00  | WASHER, PLATE            | 1        |         |
| 17       | 6BG-42816-00-00 | LEVER, CLAMP             | 1        |         |
| 18       | 97095-06012-00  | BOLT                     | 1        |         |
| 19       | 66T-43144-00-00 | HOOK, SPRING             | 1        |         |
| 20       | 90109-06M86-00  | BOLT                     | 1        |         |
| 21       | 90506-18023-00  | SPRING, TENSION          | 1        |         |
| 22       | 68U-42727-00-00 | GROMMET                  | 1        |         |
| 23       | 6BG-42741-10-4D | APRON                    | 1        |         |
| 24       | 95380-06600-00  | NUT, HEXAGON             | 2        |         |
| 25       | 97880-06025-00  | SCREW, PAN HEAD          | 2        |         |
| 26       | 92990-06100-00  | .WASHER, SPRING          | 2        |         |
| 27       | 92990-06600-00  | WASHER, PLATE            | 2        |         |
| 28       | 97095-06014-00  | BOLT                     | 2        |         |
| 29       | 92995-06600-00  | WASHER                   | 2        |         |
| 30       | 90480-13M24-00  | GROMMET                  | 2        |         |
| 31       | 90387-06M43-00  | COLLAR                   | 2        |         |
| 32       | 6BL-44391-00-00 | NIPPLE, HOSE             | 1        |         |
| 33       | 65W-42726-10-00 | .GROMMET                 | 1        |         |
| 34       | 6BL-48538-00-00 | .CLAMP, CABLE 1          | 1        |         |
| 35       | 90109-06M86-00  | BOLT                     | 1        |         |
| 36       | 6AH-42794-40-00 | LABEL, WARNING (GENERAL) | 1        |         |
| 37       | 6AH-42794-50-00 | LABEL, WARNING (GENERAL) | 1        |         |

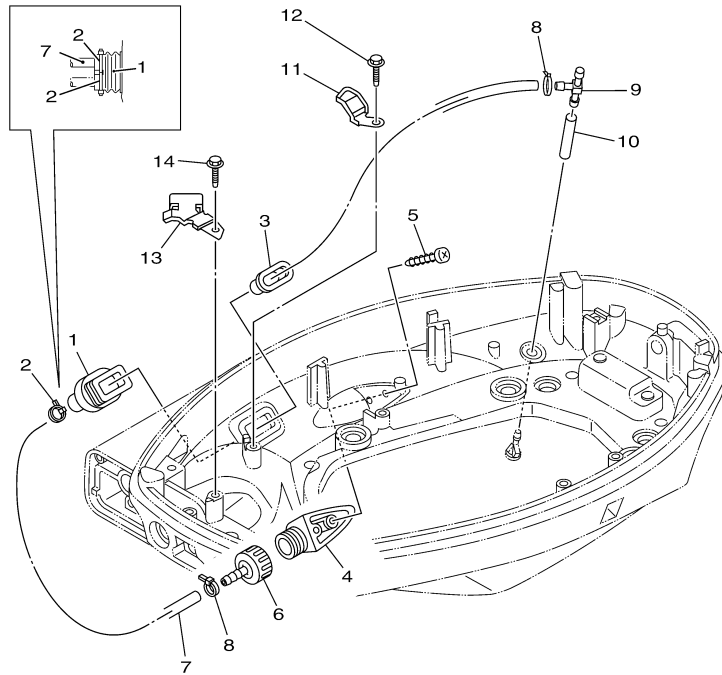
## Part Notes

T25LA 0113 / BOTTOM COWLING 1

| PART NUMBER  | NOTE TEXT  |
|--|--|
| 92990-06600-00  | OEM: This part number is among the Top 100 Most Popular Marine Maintenance Parts as of March 2014. |

©2014 Yamaha Motor Corporation, U.S.A. All rights reserved.

T25LA 0113 / BOTTOM COWLING 2



6BL1100-H180

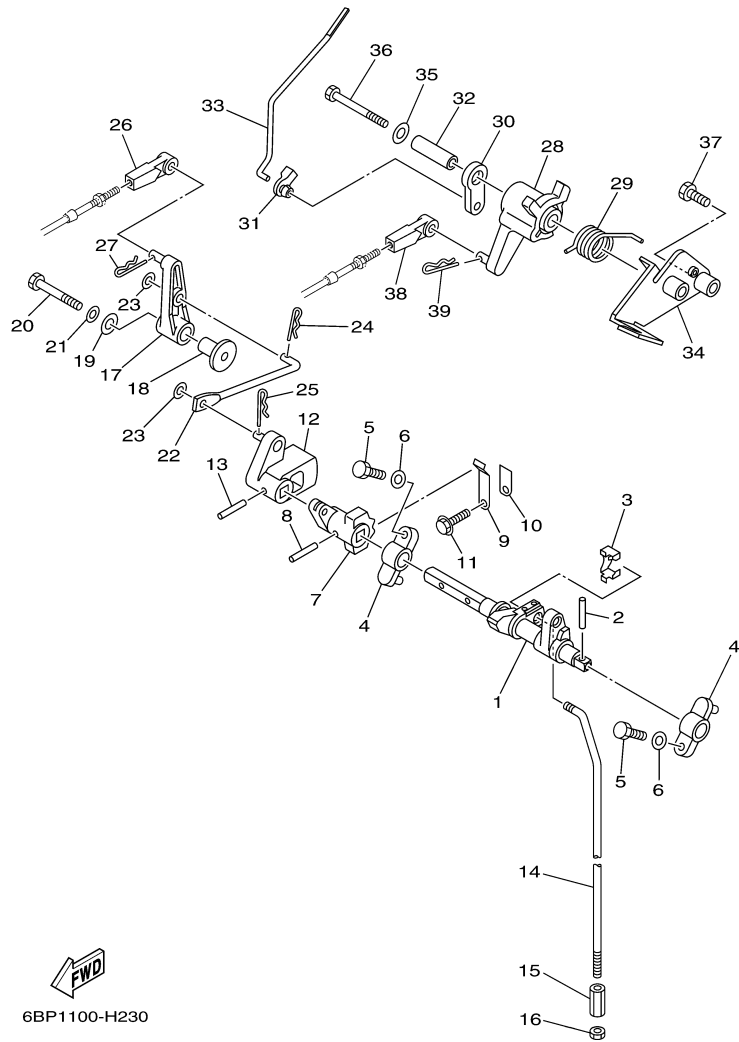
©2014 Yamaha Motor Corporation, U.S.A. All rights reserved.

## Part List

T25LA 0113 / BOTTOM COWLING 2

| REF<br>-<br>NO | PART<br>NUMBER  | PART NAME      | QUANTITY | REMARKS |
|----------------|-----------------|----------------|----------|---------|
| 1              | 6H1-42726-21-00 | GROMMET        | 1        |         |
| 2              | 90465-11M10-00  | CLAMP          | 2        |         |
| 3              | 6BG-42384-00-00 | SEAL, CAP      | 1        |         |
| 4              | 6AW-12572-00-00 | ADAPTER        | 1        |         |
| 5              | 97780-60520-00  | SCREW, TAPPING | 2        |         |
| 6              | 6R3-12580-00-00 | JOINT ASSY     | 1        |         |
| 7              | 90445-11153-00  | HOSE (L460)    | 1        |         |
| 8              | 90465-11M10-00  | CLAMP          | 2        |         |
| 9              | 6C5-24378-00-00 | PIPE, JOINT 3  | 1        |         |
| 10             | 90445-09057-00  | HOSE (L43)     | 1        |         |
| 11             | 6BL-24396-00-00 | PLATE          | 1        |         |
| 12             | 90109-06M86-00  | BOLT           | 1        |         |
| 13             | 6BL-24364-00-00 | STAY           | 1        |         |
| 14             | 90109-06M86-00  | BOLT           | 1        |         |

T25LA 0113 / CONTROL



  
6BP1100-H230

©2014 Yamaha Motor Corporation, U.S.A. All rights reserved.



## Part List

T25LA 0113 / CONTROL

| REF - NO | PART NUMBER     | PART NAME                  | QUANTITY | REMARKS |
|----------|-----------------|----------------------------|----------|---------|
| 1        | 6BL-44121-00-00 | LEVER, SHIFT ROD           | 1        |         |
| 2        | 90254-03M05-00  | PIN, SPRING                | 1        |         |
| 3        | 6AH-26364-00-00 | END, CABLE 2               | 1        |         |
| 4        | 6G1-41662-01-94 | BRACKET 2                  | 2        |         |
| 5        | 97095-06020-00  | BOLT                       | 2        |         |
| 6        | 92995-06600-00  | WASHER                     | 2        |         |
| 7        | 6BL-44173-00-00 | LEVER, SHIFT CONTROL       | 1        |         |
| 8        | 90254-03M05-00  | PIN, SPRING                | 1        |         |
| 9        | 65W-44116-00-00 | SPRING                     | 1        |         |
| 10       | 66R-44114-00-00 | STOPPER                    | 1        |         |
| 11       | 95895-06014-00  | BOLT, FLANGE               | 1        |         |
| 12       | 6BL-44142-00-00 | JOINT                      | 1        |         |
| 13       | 90254-03M05-00  | PIN, SPRING                | 1        |         |
| 14       | 6BL-44143-00-00 | ROD, SHIFT                 | 1        |         |
| 15       | 67C-44146-00-00 | CONNECTOR, SHIFT ROD       | 1        |         |
| 16       | 95380-06700-00  | NUT                        | 1        |         |
| 17       | 6BL-44125-00-00 | .LEVER, SHIFT ROD          | 1        |         |
| 18       | 90387-06M86-00  | .COLLAR                    | 1        |         |
| 19       | 90201-06M31-00  | .WASHER, PLATE             | 1        |         |
| 20       | 97095-06035-00  | BOLT                       | 1        |         |
| 21       | 92995-06600-00  | WASHER                     | 1        |         |
| 22       | 6BL-44192-00-00 | .LINK, SHIFT ROD           | 1        |         |
| 23       | 90201-05M06-00  | .WASHER, PLATE             | 2        |         |
| 24       | 90468-10005-00  | CLIP                       | 1        |         |
| 25       | 90468-18001-00  | CLIP                       | 1        |         |
| 26       | 663-48344-00-00 | .CABLE END, REMOTE CONTROL | 1        |         |
| 27       | 90468-18008-00  | CLIP                       | 1        |         |
| 28       | 6BL-41638-00-00 | .PULLEY                    | 1        |         |
| 29       | 90508-20040-00  | .SPRING, TORSION           | 1        |         |
| 30       | 65W-41283-00-00 | .LEVER, FREE ACCEL.        | 1        |         |
| 31       | 6J8-41262-00-00 | JOINT, CHOKE LEVER         | 1        |         |
| 32       | 90387-06139-00  | .COLLAR                    | 1        |         |
| 33       | 6BL-41211-00-00 | .LINK, ACCEL.              | 1        |         |
| 34       | 6BL-14571-10-00 | .BRACKET, THROTTLE         | 1        |         |
| 35       | 90201-06M31-00  | .WASHER, PLATE             | 1        |         |
| 36       | 97095-06065-00  | .BOLT                      | 1        |         |
| 37       | 97095-06025-00  | BOLT                       | 1        |         |
| 38       | 663-48344-00-00 | .CABLE END, REMOTE CONTROL | 1        |         |
| 39       | 90468-18008-00  | CLIP                       | 1        |         |

## Part Notes

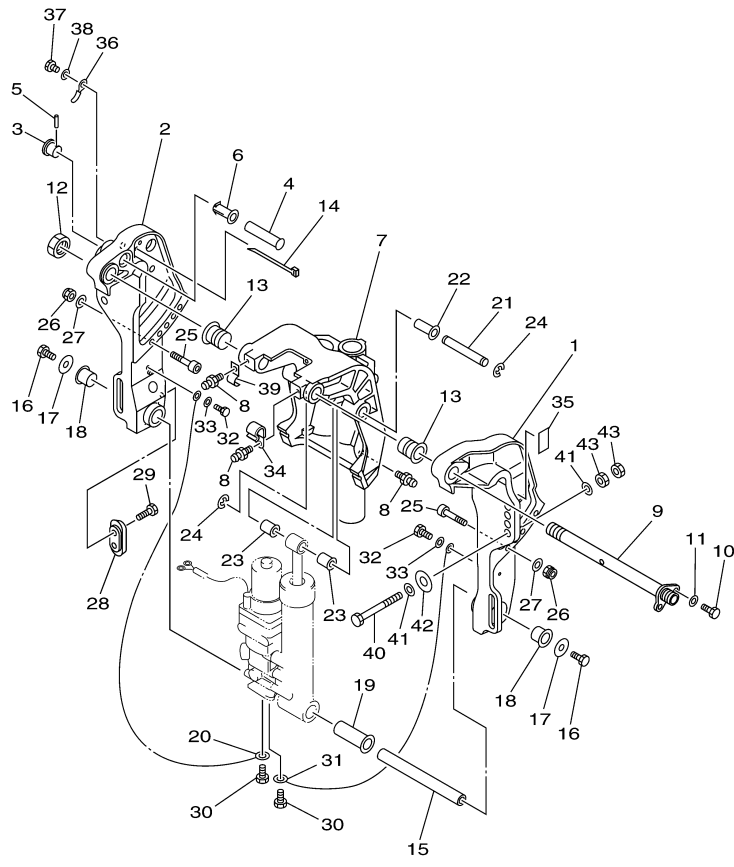
T25LA 0113 / CONTROL

| PART NUMBER    |   | NOTE TEXT  |
|----------------|---|--|
| 90468-18008-00 |  | OEM: This part number is among the Top 100 Most Popular Marine Maintenance Parts as of March 2014. |
| 90468-18008-00 |  | OEM: This part number is among the Top 100 Most Popular Marine Maintenance Parts as of March 2014. |

©2014 Yamaha Motor Corporation, U.S.A. All rights reserved.



T25LA 0113 / BRACKET 1



6BL3100-K200

©2014 Yamaha Motor Corporation, U.S.A. All rights reserved.


## Part List

T25LA 0113 / BRACKET 1

| REF - NO | PART NUMBER     | PART NAME                 | QUANTITY | REMARKS |
|----------|-----------------|---------------------------|----------|---------|
| 1        | 6K9-43111-10-4D | BRACKET, CLAMP 1          | 1        |         |
| 2        | 6BG-43112-10-4D | BRACKET, CLAMP 2          | 1        |         |
| 3        | 65W-43192-00-00 | KNOB, STOPPER             | 1        |         |
| 4        | 65W-43191-00-00 | SHAFT, STOPPER            | 1        |         |
| 5        | 91690-30018-00  | PIN, SPRING               | 1        |         |
| 6        | 90386-14MA1-00  | BUSH                      | 1        |         |
| 7        | 6BG-43311-10-4D | BRACKET, SWIVEL 1         | 1        |         |
| 8        | 93700-06M03-00  | NIPPLE, GREASE            | 3        |         |
| 9        | 6K9-43131-01-00 | BOLT, CLAMP BRACKET       | 1        |         |
| 10       | 97095-08020-00  | BOLT                      | 1        |         |
| 11       | 92995-08600-00  | WASHER                    | 1        |         |
| 12       | 90185-22M11-00  | NUT, SELF-LOCKING         | 1        |         |
| 13       | 90386-22MA4-00  | BUSH                      | 2        |         |
| 14       | 90465-13M11-00  | CLAMP                     | 2        |         |
| 15       | 90249-18M35-00  | PIN                       | 1        |         |
| 16       | 97080-08016-00  | BOLT                      | 2        |         |
| 17       | 90201-08M00-00  | WASHER, PLATE             | 2        |         |
| 18       | 90386-18M44-00  | BUSH                      | 2        |         |
| 19       | 90386-18MA0-00  | BUSH                      | 1        |         |
| 20       | 6H1-82148-00-00 | WIRE, LEAD 4              | 1        |         |
| 21       | 90249-12M38-00  | PIN                       | 1        |         |
| 22       | 90381-12M10-00  | BUSH, SOLID               | 1        |         |
| 23       | 90381-12M11-00  | BUSH, SOLID               | 2        |         |
| 24       | 99080-10600-00  | CIRCLIP                   | 2        |         |
| 25       | 90110-10M02-00  | BOLT, HEXAGON SOCKET HEAD | 2        |         |
| 26       | 90185-10M13-00  | NUT, SELF-LOCKING         | 2        |         |
| 27       | 92995-10600-00  | WASHER                    | 2        |         |
| 28       | 65W-45251-00-00 | ANODE                     | 1        |         |
| 29       | 90101-06020-00  | BOLT                      | 2        |         |
| 30       | 97085-06010-00  | BOLT                      | 2        |         |
| 31       | 6U0-82127-00-00 | WIRE, LEAD 2              | 1        |         |
| 32       | 97095-06014-00  | BOLT                      | 2        |         |
| 33       | 92995-06600-00  | WASHER                    | 2        |         |
| 34       | 90465-08M07-00  | CLAMP                     | 1        |         |
| 35       | 63V-82377-50-00 | LABEL (SPARK,IGNITION)    | 1        |         |
| 36       | 90465-10M77-00  | CLAMP                     | 1        |         |
| 37       | 97095-06014-00  | BOLT                      | 1        |         |
| 38       | 92995-06600-00  | WASHER                    | 1        |         |
| 39       | 90465-08M63-00  | CLAMP                     | 1        |         |
| 40       | 90101-12M65-00  | BOLT                      | 4        |         |
| 41       | 90201-12062-00  | WASHER, PLATE             | 8        |         |
| 42       | 90201-12426-00  | WASHER, PLATE             | 4        |         |
| 43       | 95380-12600-00  | NUT                       | 8        |         |

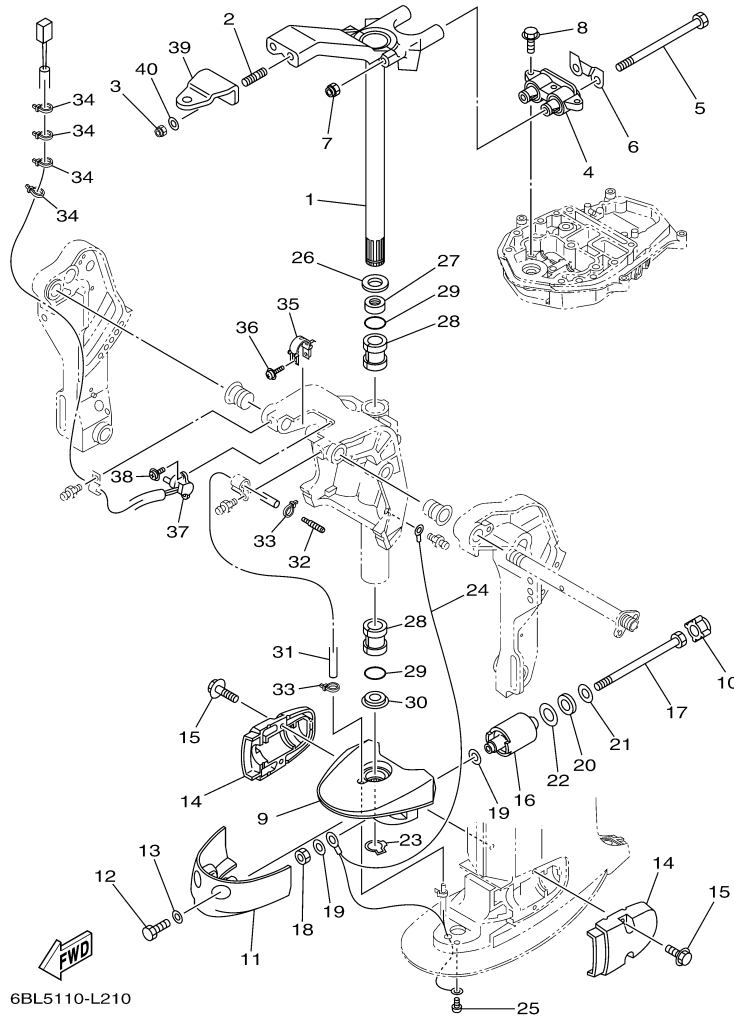
## Part Notes

T25LA 0113 / BRACKET 1

| PART NUMBER   | NOTE TEXT  |
|---|--|
| 65W-45251-00-00  | OEM: This part number is among the Top 100 Most Popular Marine Maintenance Parts as of March 2014. |

©2014 Yamaha Motor Corporation, U.S.A. All rights reserved.

T25LA 0113 / BRACKET 2



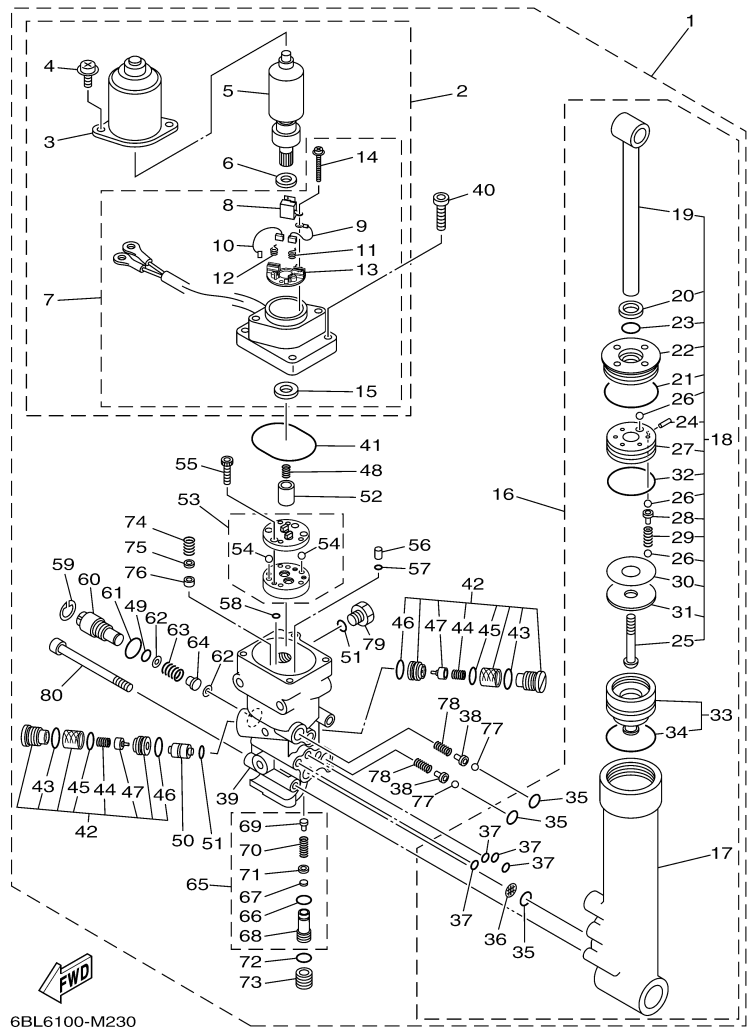
©2014 Yamaha Motor Corporation, U.S.A. All rights reserved.

## Part List

T25LA 0113 / BRACKET 2

| REF - NO | PART NUMBER     | PART NAME                     | QUANTITY | REMARKS  |
|----------|-----------------|-------------------------------|----------|----------|
| 1        | 6BG-42510-10-4D | STEERING BRACKET ASSY         | 1        |          |
| 2        | 90116-10M28-00  | BOLT, STUD                    | 2        |          |
| 3        | 90185-10051-00  | NUT, SELF-LOCKING             | 2        |          |
| 4        | 67C-44514-10-94 | MOUNT DAMPER, UPPER SIDE      | 1        |          |
| 5        | 90101-08M15-00  | BOLT                          | 2        |          |
| 6        | 66T-44526-30-00 | PLATE                         | 1        |          |
| 7        | 90185-08045-00  | NUT, SELF-LOCKING             | 2        |          |
| 8        | 97575-08530-00  | BOLT, WITH WASHER             | 3        |          |
| 9        | 67C-44551-10-4D | HOUSING, LOWER MOUNT RUBBER 1 | 1        |          |
| 10       | 69W-44575-00-00 | DAMPER, LOWER MOUNT RUBBER    | 2        |          |
| 11       | 67C-44553-00-4D | COVER, LOWER MOUNT            | 1        |          |
| 12       | 97095-08020-00  | BOLT                          | 2        |          |
| 13       | 92995-08600-00  | WASHER                        | 2        |          |
| 14       | 6C5-44552-00-4D | HOUSING, LOWER MOUNT RUBBER 2 | 2        |          |
| 15       | 97575-08530-00  | BOLT, WITH WASHER             | 4        |          |
| 16       | 68U-44555-11-00 | MOUNT DAMPER, LOWER SIDE      | 2        | L(20.8") |
| 17       | 90109-12MA3-00  | BOLT                          | 2        |          |
| 18       | 95380-12700-00  | NUT                           | 2        |          |
| 19       | 90201-12M16-00  | WASHER, PLATE                 | 4        |          |
| 20       | 90202-21100-00  | WASHER, PLATE                 | 2        |          |
| 21       | 90201-13M19-00  | WASHER, PLATE                 | 2        |          |
| 22       | 90201-22M05-00  | WASHER, PLATE                 | 2        |          |
| 23       | 93410-28M06-00  | CIRCLIP                       | 1        |          |
| 24       | 67C-82127-10-00 | WIRE, LEAD 2                  | 1        |          |
| 25       | 97885-06008-00  | SCREW, PAN HEAD               | 1        |          |
| 26       | 90201-30M00-00  | WASHER, PLATE                 | 1        |          |
| 27       | 90386-30M78-00  | BUSH                          | 1        |          |
| 28       | 90386-30M77-00  | BUSH                          | 2        |          |
| 29       | 93210-29M94-00  | O-RING                        | 2        |          |
| 30       | 90386-30M60-00  | BUSH                          | 1        |          |
| 31       | 90445-07M53-00  | HOSE (L700)                   | 1        |          |
| 32       | 6E5-83558-00-00 | END, NIPPLE                   | 1        |          |
| 33       | 90465-11M10-00  | CLAMP                         | 2        |          |
| 34       | 90465-11M10-00  | CLAMP                         | 4        |          |
| 35       | 6K9-43139-10-00 | CAM, TRIM SENDER              | 1        |          |
| 36       | 90159-05059-00  | SCREW, WITH WASHER            | 1        |          |
| 37       | 67H-83672-01-00 | TRIM SENDER                   | 1        |          |
| 38       | 97985-06216-00  | SCREW, WITH WASHER            | 2        |          |
| 39       | 65W-48511-01-00 | HOOK, STEERING                | 1        |          |
| 40       | 90201-10049-00  | WASHER, PLATE                 | 2        |          |

T25LA 0113 / POWER TRIM TILT ASSY



©2014 Yamaha Motor Corporation, U.S.A. All rights reserved.

## Part List


T25LA 0113 / POWER TRIM TILT ASSY

| REF - NO | PART NUMBER     | PART NAME                      | QUANTITY | REMARKS |
|----------|-----------------|--------------------------------|----------|---------|
| 1        | 67C-43800-10-8D | POWER TRIM & TILT ASSY         | 1        |         |
| 2        | 67C-43880-01-00 | .MOTOR ASSY                    | 1        |         |
| 3        | 65W-43804-01-00 | ..STATOR ASSY                  | 1        |         |
| 4        | 65W-43887-01-00 | ..BOLT                         | 2        |         |
| 5        | 65W-43805-01-00 | ..ARMATURE ASSY                | 1        |         |
| 6        | 65W-4387G-00-00 | ..WASHER                       | 1        |         |
| 7        | 67C-43881-01-00 | ..FRAME, END                   | 1        |         |
| 8        | 65W-82181-00-00 | ...CIRCUIT BREAKER COMP        | 1        |         |
| 9        | 65W-43892-01-00 | ...BRUSH 2                     | 1        |         |
| 10       | 65W-43891-01-00 | ...BRUSH 1                     | 1        |         |
| 11       | 65W-4386K-01-00 | ...SPRING, BRUSH               | 1        |         |
| 12       | 65W-4386L-00-00 | ...SPRING, BRUSH 2             | 1        |         |
| 13       | 65W-4380F-01-00 | ...PLATE, BRUSH HOLDER         | 1        |         |
| 14       | 65W-43879-01-00 | ...SCREW, WITH WASHER          | 2        |         |
| 15       | 65W-43882-01-00 | ...OIL SEAL                    | 1        |         |
| 16       | 67C-43840-01-00 | .POWER TILT ASSY               | 1        |         |
| 17       | 65W-4380K-00-00 | ..CYLINDER, TILT SUB ASSY      | 1        |         |
| 18       | 67C-43810-01-00 | ..TILT PISTON SUB ASSY         | 1        |         |
| 19       | 65W-43801-01-00 | ...ROD                         | 1        |         |
| 20       | 65W-43812-00-00 | ...SEAL, DUST                  | 1        |         |
| 21       | 65W-43865-00-00 | ...O-RING                      | 1        |         |
| 22       | 65W-43811-01-00 | ...SCREW, CYLINDER END         | 1        |         |
| 23       | 67C-43867-00-00 | ...O-RING                      | 1        |         |
| 24       | 91609-16012-00  | ...PIN, SPRING                 | 1        |         |
| 25       | 67C-43886-00-00 | ...BOLT                        | 1        |         |
| 26       | 93505-32038-00  | ...BALL                        | 11       |         |
| 27       | 65W-4385A-01-00 | ...PISTON, TILT                | 1        |         |
| 28       | 65W-4386A-00-00 | ...PIN, ABSORBER VALVE         | 5        |         |
| 29       | 67C-43857-00-00 | ...SPRING, ABSORBER VALVE      | 5        |         |
| 30       | 15A-22442-00-00 | ...SHIM                        | 1        | UN      |
| 31       | 90201-10038-00  | ...WASHER, PLATE               | 1        |         |
| 32       | 6H1-43862-00-00 | ...O-RING                      | 1        |         |
| 33       | 65W-4381B-00-00 | ..FREE PISTON SUB ASSY         | 1        |         |
| 34       | 6H1-43861-10-00 | ...O-RING                      | 1        |         |
| 35       | 93210-11368-00  | ..O-RING                       | 3        |         |
| 36       | 69J-4381C-00-00 | ..FILTER 3                     | 1        |         |
| 37       | 93210-064A5-00  | ..O-RING                       | 4        |         |
| 38       | 65W-4386A-00-00 | .PIN, ABSORBER VALVE           | 2        |         |
| 39       | 67C-4380L-01-00 | .HOUSING, TRIM & TILT SUB ASSY | 1        |         |
| 40       | 91380-06020-00  | .BOLT                          | 4        |         |
| 41       | 93210-50768-00  | .O-RING                        | 1        |         |
| 42       | 6T4-43802-03-00 | .VALVE SUB ASSY                | 2        |         |
| 43       | 6H1-43866-01-00 | ..O-RING                       | 1        |         |
| 44       | 6T4-43853-00-00 | ..SPRING, MAIN VALVE           | 1        |         |
| 45       | 93210-10M74-00  | ..O-RING                       | 1        |         |
| 46       | 93210-12N52-00  | ..O-RING                       | 1        |         |
| 47       | 6T4-43808-00-00 | ..SEAT VALVE COMP 1            | 1        |         |
| 48       | 6T4-43853-00-00 | .SPRING, MAIN VALVE            | 1        |         |
| 49       | 93210-10M74-00  | .O-RING                        | 1        |         |
| 50       | 62X-43841-00-00 | .PISTON, SHUTTLE               | 1        |         |
| 51       | 93210-09165-00  | .O-RING                        | 2        |         |
| 52       | 65W-43831-00-00 | .CONNECTOR, SHAFT              | 1        |         |
| 53       | 65W-43830-00-00 | .GEAR PUMP ASSY                | 1        |         |

|    |                 |                         |   |  |
|----|-----------------|-------------------------|---|--|
| 54 | 93505-32038-00  | ..BALL                  | 2 |  |
| 55 | 91318-04025-00  | .BOLT                   | 4 |  |
| 56 | 65W-43817-00-00 | .FILTER 2               | 2 |  |
| 57 | 93210-04N50-00  | .O-RING                 | 2 |  |
| 58 | 93210-04N51-00  | .O-RING                 | 2 |  |
| 59 | 6H1-43875-00-00 | .RING, SNAP             | 1 |  |
| 60 | 6H1-43845-00-00 | .SCREW, MANUAL RELEASE  | 1 |  |
| 61 | 6D8-43863-00-00 | .O-RING                 | 1 |  |
| 62 | 6H1-43847-00-00 | .SEAT, MANUAL VALVE     | 2 |  |
| 63 | 65W-43854-00-00 | .SPRING, MANUAL RELEASE | 1 |  |
| 64 | 65W-4382A-00-00 | .ADAPTOR 1              | 1 |  |
| 65 | CS2-43803-81-00 | .CASE VALVE COMP        | 1 |  |
| 66 | 93210-10M74-00  | ..O-RING                | 1 |  |
| 67 | 6H1-4384G-11-00 | ..SEAL, RELIEF VALVE    | 1 |  |
| 68 | 67C-43851-00-00 | ..SEAT, RELIEF VALVE    | 1 |  |
| 69 | 67F-43843-00-00 | ..SCREW, VALVE LOCK     | 1 |  |
| 70 | 6H1-43856-10-00 | ..SPRING, DOWN RELIEF   | 1 |  |
| 71 | 6H1-43844-10-00 | ..PIN, VALVE SUPPORT    | 1 |  |
| 72 | 93210-11073-00  | .O-RING                 | 1 |  |
| 73 | 65W-43843-00-00 | .SCREW, VALVE LOCK      | 1 |  |
| 74 | 6H1-43856-10-00 | .SPRING, DOWN RELIEF    | 1 |  |
| 75 | 6H1-43844-10-00 | .PIN, VALVE SUPPORT     | 1 |  |
| 76 | 6H1-4384F-10-00 | .SEAL, MAIN VALVE       | 1 |  |
| 77 | 93501-08001-00  | .BALL                   | 2 |  |
| 78 | 65W-43853-00-00 | .SPRING, MAIN VALVE     | 2 |  |
| 79 | 6H1-43829-00-00 | .PLUG, RESERVOIR        | 1 |  |
| 80 | 62X-43878-01-00 | .BOLT, SOCKET           | 3 |  |

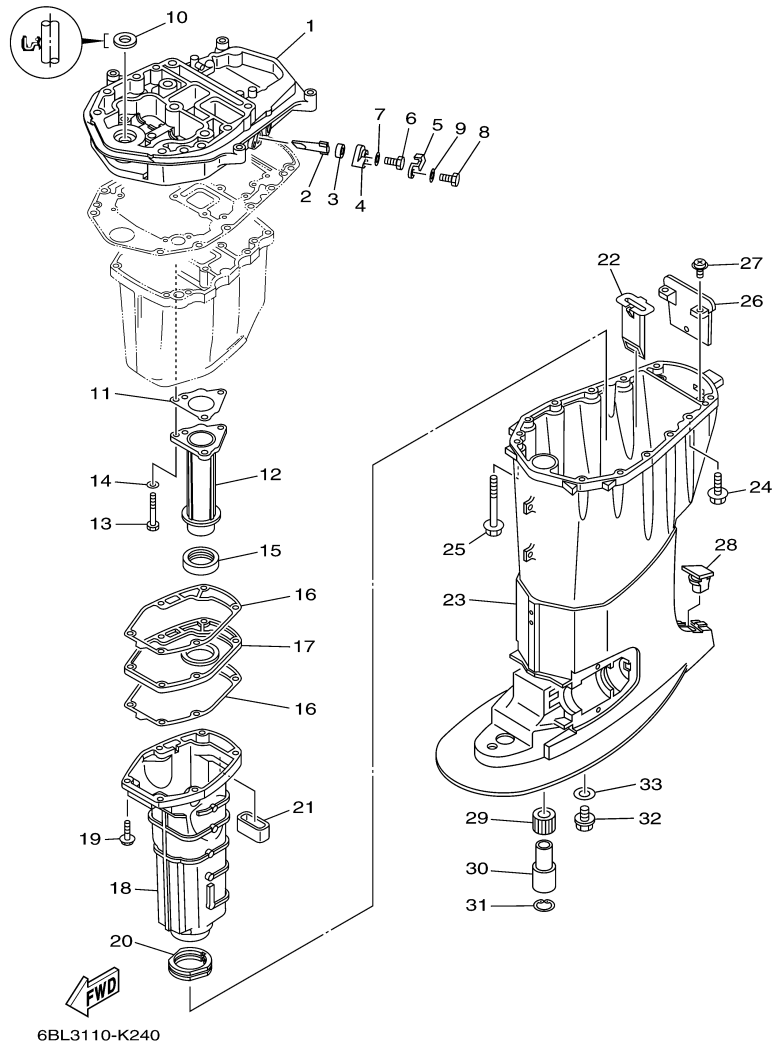
## Part Notes

T25LA 0113 / POWER TRIM TILT ASSY

| PART NUMBER     |   | NOTE TEXT  |
|-----------------|---|--|
| 6H1-43861-10-00 |  | OEM: This part number is among the Top 100 Most Popular Marine Maintenance Parts as of March 2014. |

©2014 Yamaha Motor Corporation, U.S.A. All rights reserved.

T25LA 0113 / UPPER CASING



©2014 Yamaha Motor Corporation, U.S.A. All rights reserved.




## Part List

T25LA 0113 / UPPER CASING

| REF<br>-<br>NO | PART<br>NUMBER  | PART NAME                      | QUANTITY | REMARKS |
|----------------|-----------------|--------------------------------|----------|---------|
| 1              | 67C-41137-13-CA | GUIDE, EXHAUST                 | 1        |         |
| 2              | 62Y-11325-00-00 | ANODE                          | 1        |         |
| 3              | 66M-11328-00-00 | GROMMET, ANODE                 | 1        |         |
| 4              | 66M-11327-00-94 | COVER, ANODE                   | 1        |         |
| 5              | 66M-12535-00-00 | PLATE                          | 1        |         |
| 6              | 97095-05012-00  | BOLT                           | 1        |         |
| 7              | 92995-05600-00  | WASHER                         | 1        |         |
| 8              | 97013-06020-00  | BOLT                           | 1        |         |
| 9              | 92903-06600-00  | WASHER, PLATE                  | 1        |         |
| 10             | 93110-16004-00  | .OIL SEAL                      | 1        |         |
| 11             | 64J-41133-10-00 | .GASKET, EXHAUST<br>MANIFOLD 1 | 1        |         |
| 12             | 6BG-41131-00-CA | MANIFOLD, EXT. 1               | 1        |         |
| 13             | 97075-06050-00  | BOLT                           | 3        |         |
| 14             | 92995-06600-00  | WASHER                         | 3        |         |
| 15             | 64J-46132-10-00 | .GASKET 1                      | 1        |         |
| 16             | 6BG-41134-00-00 | .GASKET, EXHAUST<br>MANIFOLD   | 2        |         |
| 17             | 6BG-45181-00-CA | PLATE                          | 1        |         |
| 18             | 69W-14711-00-CA | MUFFLER 1                      | 1        |         |
| 19             | 97575-06525-00  | BOLT, WITH WASHER              | 6        |         |
| 20             | 67C-45123-00-00 | .GASKET, MUFFLER               | 1        |         |
| 21             | 62Y-45127-00-00 | .SEAL                          | 1        |         |
| 22             | 64J-77123-00-00 | GUIDE 1                        | 1        |         |
| 23             | 6BG-45111-10-4D | CASING, UPPER                  | 1        |         |
| 24             | 97575-08530-00  | BOLT, WITH WASHER              | 4        |         |
| 25             | 90119-08132-00  | BOLT, WITH WASHER              | 8        |         |
| 26             | 67C-45151-00-00 | COVER, UPPER CASING            | 1        |         |
| 27             | 97980-05216-00  | SCREW, WITH WASHER             | 2        |         |
| 28             | 6C5-45155-00-00 | CAP                            | 1        |         |
| 29             | 679-45318-00-00 | BUSHING, DRIVE SHAFT           | 1        |         |
| 30             | 90387-23002-00  | COLLAR                         | 1        |         |
| 31             | 93420-36M01-00  | CIRCLIP                        | 1        |         |
| 32             | 90340-14M06-00  | PLUG, STRAIGHT SCREW           | 1        |         |
| 33             | 90430-14M09-00  | .GASKET                        | 1        |         |

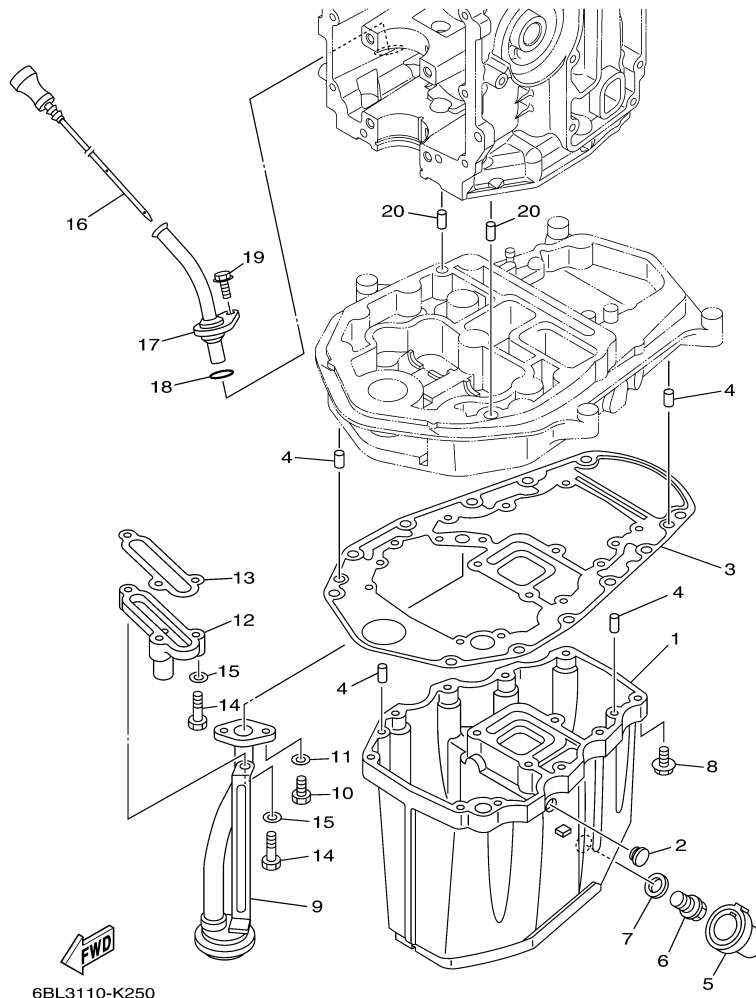
## Part Notes

T25LA 0113 / UPPER CASING

| PART NUMBER  | NOTE TEXT  |
|--|--|
| 90430-14M09-00  | OEM: This part number is among the Top 100 Most Popular Marine Maintenance Parts as of March 2014. |

©2014 Yamaha Motor Corporation, U.S.A. All rights reserved.

T25LA 0113 / OIL PAN



©2014 Yamaha Motor Corporation, U.S.A. All rights reserved.


## Part List

T25LA 0113 / OIL PAN

| REF - NO | PART NUMBER     | PART NAME            | QUANTITY | REMARKS |
|----------|-----------------|----------------------|----------|---------|
| 1        | 6BG-15311-00-CA | OIL PAN              | 1        |         |
| 2        | 90480-12M25-00  | GROMMET              | 1        |         |
| 3        | 69W-15312-00-00 | .GASKET, OIL PAN     | 1        |         |
| 4        | 93606-12019-00  | .PIN, DOWEL          | 4        |         |
| 5        | 67C-15316-00-00 | DAMPER 1             | 1        |         |
| 6        | 90340-14M06-00  | PLUG, STRAIGHT SCREW | 1        |         |
| 7        | 90430-14M09-00  | .GASKET              | 1        |         |
| 8        | 97575-06525-00  | BOLT, WITH WASHER    | 10       |         |
| 9        | 62Y-13411-00-00 | STRAINER, OIL        | 1        |         |
| 10       | 97013-06016-00  | BOLT                 | 2        |         |
| 11       | 92903-06600-00  | WASHER, PLATE        | 2        |         |
| 12       | 6BG-11576-00-94 | BODY, RELIEF         | 1        |         |
| 13       | 62Y-13475-00-00 | .GASKET              | 1        |         |
| 14       | 97013-06025-00  | BOLT                 | 3        |         |
| 15       | 92903-06600-00  | WASHER, PLATE        | 3        |         |
| 16       | 6BL-15362-00-00 | PLUG, OIL LEVEL      | 1        |         |
| 17       | 6BL-15377-00-00 | GUIDE, INLET         | 1        |         |
| 18       | 93210-19MJ3-00  | .O-RING              | 1        |         |
| 19       | 95895-06016-00  | BOLT, FLANGE         | 1        |         |
| 20       | 93608-12M05-00  | PIN, DOWEL           | 2        |         |

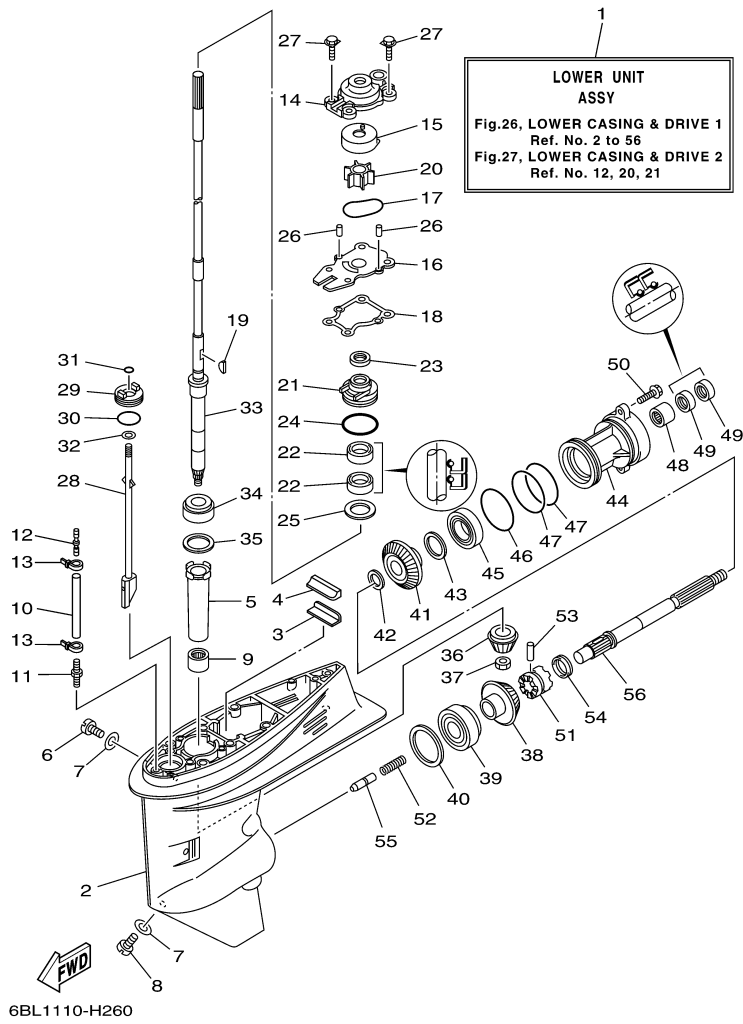
## Part Notes

T25LA 0113 / OIL PAN

| PART NUMBER  | NOTE TEXT  |
|--|--|
| 90430-14M09-00  | OEM: This part number is among the Top 100 Most Popular Marine Maintenance Parts as of March 2014. |

©2014 Yamaha Motor Corporation, U.S.A. All rights reserved.

T25LA 0113 / LOWER CASING DRIVE 1



©2014 Yamaha Motor Corporation, U.S.A. All rights reserved.

## Part List




T25LA 0113 / LOWER CASING DRIVE 1

| REF - NO | PART NUMBER     | PART NAME               | QUANTITY | REMARKS  |
|----------|-----------------|-------------------------|----------|----------|
| 1        | 6BL-45300-11-4D | LOWER UNIT ASSY         | 1        | L(20.8") |
| 2        | 67C-45301-00-4D | CASING, LOWER           | 1        |          |
| 3        | 663-45376-00-00 | GUIDE, SEAL DAMPER      | 1        |          |
| 4        | 63D-45375-00-00 | DAMPER, SEAL            | 1        |          |
| 5        | 6H4-45536-00-00 | SLEEVE, DRIVE SHAFT     | 1        |          |
| 6        | 90340-08002-00  | PLUG, STRAIGHT SCREW    | 1        |          |
| 7        | 90430-08020-00  | .GASKET                 | 2        |          |
| 8        | 688-45341-10-00 | PLUG, DRAIN             | 1        |          |
| 9        | 93315-32224-00  | BEARING                 | 1        |          |
| 10       | 90445-07ME8-00  | HOSE (L80)              | 1        | L(20.8") |
| 11       | 6E5-45378-00-00 | NIPPLE, HOSE            | 1        |          |
| 12       | 6E5-83558-10-00 | END, NIPPLE             | 1        |          |
| 13       | 90465-11M10-00  | CLAMP                   | 2        |          |
| 14       | 6BL-44311-00-00 | HOUSING, WATER PUMP     | 1        |          |
| 15       | 63D-44322-00-00 | .INSERT, CARTRIDGE      | 1        |          |
| 16       | 66T-44323-00-00 | .OUTER PLATE, CARTRIDGE | 1        |          |
| 17       | 93210-59MG7-00  | .O-RING                 | 1        |          |
| 18       | 63D-44316-00-00 | .GASKET, WATER PUMP     | 1        |          |
| 19       | 90280-03M03-00  | .KEY, WOODRUFF          | 1        |          |
| 20       | 6H4-44352-02-00 | .IMPELLER               | 1        |          |
| 21       | 6BG-44341-00-00 | HOUSING, WATER PUMP     | 1        |          |
| 22       | 93101-22M60-00  | .OIL SEAL               | 2        |          |
| 23       | 66T-45344-01-00 | COVER, OIL SEAL         | 1        |          |
| 24       | 93210-48001-00  | .O-RING                 | 1        |          |
| 25       | 90201-27M00-00  | WASHER, PLATE           | 1        |          |
| 26       | 93604-08062-00  | PIN, DOWEL              | 2        |          |
| 27       | 90119-08M15-00  | .BOLT, WITH WASHER      | 4        |          |
| 28       | 67C-44150-10-00 | SHIFT CAM ASSY          | 1        | L(20.8") |
| 29       | 68U-45321-00-00 | PLATE                   | 1        |          |
| 30       | 93210-33MG4-00  | .O-RING                 | 1        |          |
| 31       | 93210-06ME6-00  | .O-RING                 | 1        |          |
| 32       | 92990-06600-00  | WASHER, PLATE           | 1        |          |
| 33       | 6BL-45501-10-00 | DRIVE SHAFT COMP.       | 1        | L(20.8") |
| 34       | 93332-00001-00  | BEARING                 | 1        |          |
| 35       | 663-45587-01-00 | SHIM (T:0.10MM)         | 1        | UR       |
| 35       | 663-45587-10-00 | SHIM (T:0.12MM)         | 1        | UR       |
| 35       | 663-45587-20-00 | SHIM (T:0.15MM)         | 1        | UR       |
| 35       | 663-45587-30-00 | SHIM (T:0.18MM)         | 1        | UR       |
| 35       | 663-45587-40-00 | SHIM (T:0.30MM)         | 1        | UR       |
| 35       | 663-45587-50-00 | SHIM (T:0.40MM)         | 1        | UR       |
| 35       | 663-45587-60-00 | SHIM (T:0.50MM)         | 1        | UR       |
| 36       | 68U-45551-00-00 | PINION (12T)            | 1        |          |
| 37       | 90179-10M38-00  | NUT                     | 1        |          |
| 38       | 68U-45560-00-00 | GEAR 1 (29T)            | 1        |          |
| 39       | 93332-00003-00  | BEARING                 | 1        |          |
| 40       | 663-45567-01-00 | SHIM (T:0.10MM)         | 1        | UR       |
| 40       | 663-45567-10-00 | SHIM (T:0.12MM)         | 1        | UR       |
| 40       | 663-45567-20-00 | SHIM (T:0.15MM)         | 1        | UR       |
| 40       | 663-45567-30-00 | SHIM (T:0.18MM)         | 1        | UR       |
| 40       | 663-45567-40-00 | SHIM (T:0.30MM)         | 1        | UR       |
| 40       | 663-45567-50-00 | SHIM (T:0.40MM)         | 1        | UR       |
| 40       | 663-45567-60-00 | SHIM (T:0.50MM)         | 1        | UR       |
| 41       | 68U-45571-00-00 | GEAR 2 (29T)            | 1        |          |
| 42       | 90201-22429-00  | WASHER, PLATE           | 1        |          |

|    |                 |                     |   |    |
|----|-----------------|---------------------|---|----|
| 43 | 63D-45577-00-00 | SHIM (T:0.10MM)     | 1 | UR |
| 43 | 63D-45577-10-00 | SHIM (T:0.12MM)     | 1 | UR |
| 43 | 63D-45577-20-00 | SHIM (T:0.15MM)     | 1 | UR |
| 43 | 63D-45577-30-00 | SHIM (T:0.18MM)     | 1 | UR |
| 43 | 63D-45577-40-00 | SHIM (T:0.30MM)     | 1 | UR |
| 43 | 63D-45577-50-00 | SHIM (T:0.40MM)     | 1 | UR |
| 43 | 63D-45577-60-00 | SHIM (T:0.50MM)     | 1 | UR |
| 44 | 63D-45361-02-4D | CAP, LOWER CASING   | 1 |    |
| 45 | 93306-001U1-00  | BEARING             | 1 |    |
| 46 | 93210-69MG6-00  | .O-RING             | 1 |    |
| 47 | 93210-74MG5-00  | .O-RING             | 2 |    |
| 48 | 93317-22204-00  | BEARING             | 1 |    |
| 49 | 93101-22M00-00  | .OIL SEAL           | 2 |    |
| 50 | 90105-08M61-00  | BOLT, FLANGE        | 2 |    |
| 51 | 68U-45631-00-00 | CLUTCH, DOG         | 1 |    |
| 52 | 90501-15M01-00  | SPRING, COMPRESSION | 1 |    |
| 53 | 90250-06023-00  | PIN, STRAIGHT       | 1 |    |
| 54 | 67C-45633-00-00 | RING, CROSS PIN     | 1 |    |
| 55 | 66T-45635-00-00 | PLUNGER, SHIFT      | 1 |    |
| 56 | 66T-45611-00-00 | SHAFT, PROPELLER    | 1 |    |

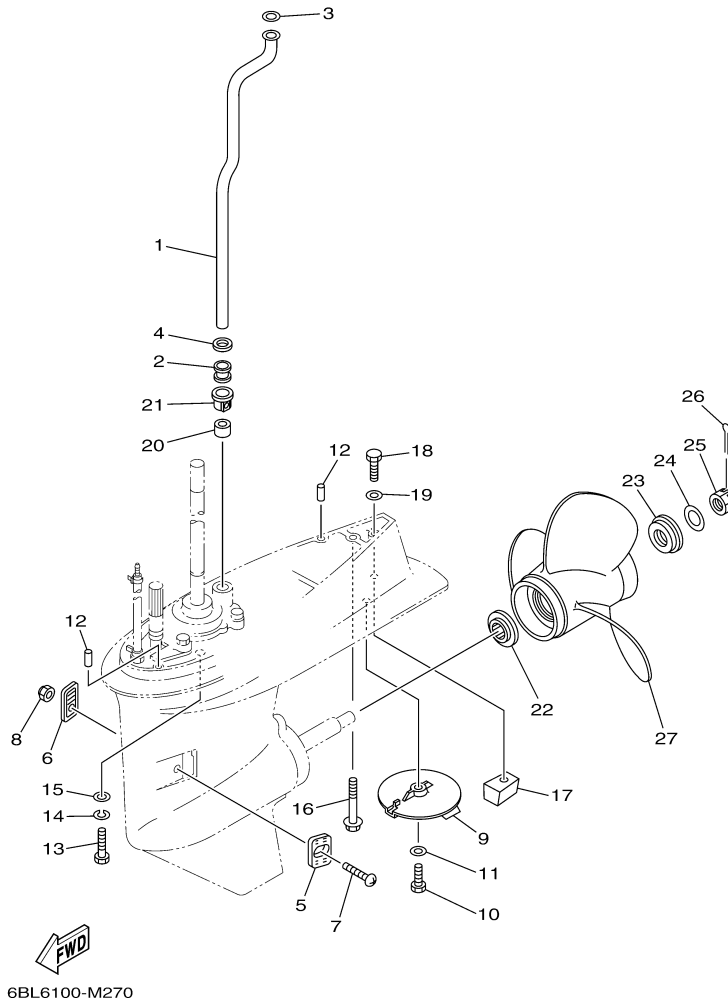
## Part Notes

T25LA 0113 / LOWER CASING DRIVE 1

| PART NUMBER     |  | NOTE TEXT  |
|-----------------|--|--|
| 90430-08020-00  |   | OEM: This part number is among the Top 100 Most Popular Marine Maintenance Parts as of March 2014. |
| 6H4-44352-02-00 |   | OEM: This part number is among the Top 100 Most Popular Marine Maintenance Parts as of March 2014. |
| 92990-06600-00  |  | OEM: This part number is among the Top 100 Most Popular Marine Maintenance Parts as of March 2014. |

©2014 Yamaha Motor Corporation, U.S.A. All rights reserved.

T25LA 0113 / LOWER CASING DRIVE 2



©2014 Yamaha Motor Corporation, U.S.A. All rights reserved.

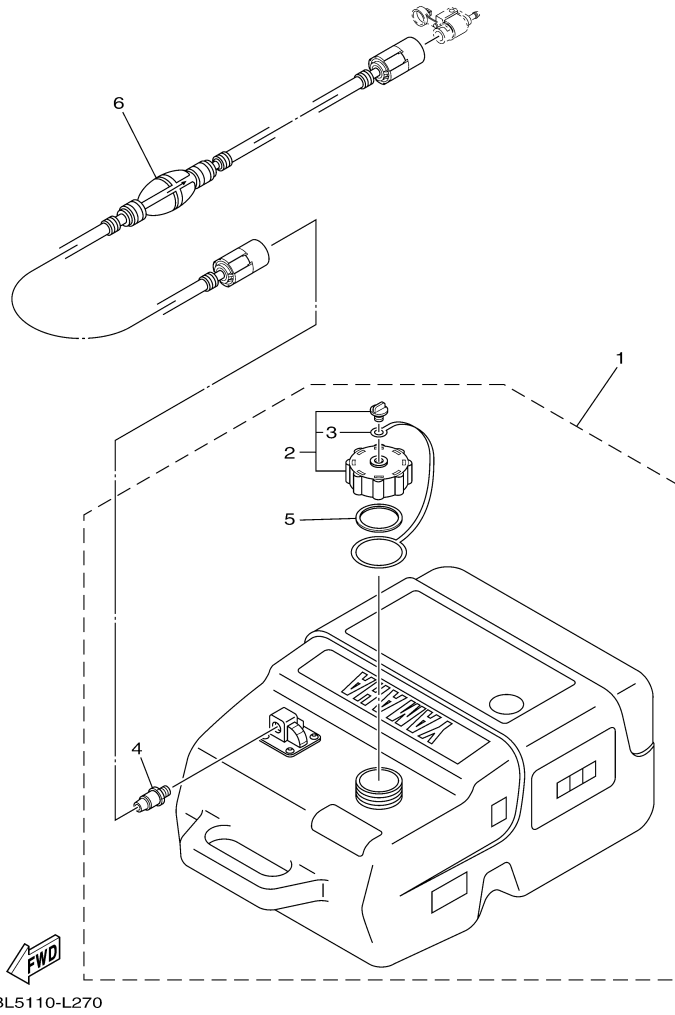
## Part List

T25LA 0113 / LOWER CASING DRIVE 2

| REF<br>-<br>NO | PART<br>NUMBER  | PART NAME                  | QUANTITY | REMARKS  |
|----------------|-----------------|----------------------------|----------|----------|
| 1              | 62Y-44361-00-00 | TUBE, WATER 1              | 1        | L(20.8") |
| 2              | 663-44367-00-00 | DAMPER, WATER SEAL 3       | 1        |          |
| 3              | 90202-12060-00  | WASHER, PLATE              | 1        |          |
| 4              | 90430-12072-00  | GASKET                     | 1        |          |
| 5              | 63D-45214-00-00 | COVER, WATER INLET 1       | 1        |          |
| 6              | 63D-45215-00-00 | COVER, WATER INLET 2       | 1        |          |
| 7              | 90152-05010-00  | SCREW, COUNTERSUNK         | 1        |          |
| 8              | 95380-05600-00  | NUT                        | 1        |          |
| 9              | 67C-45371-00-00 | TAB-TRIM                   | 1        |          |
| 10             | 97095-08025-00  | BOLT                       | 1        |          |
| 11             | 92995-08600-00  | WASHER                     | 1        |          |
| 12             | 93606-12019-00  | .PIN, DOWEL                | 2        |          |
| 13             | 97075-10040-00  | BOLT                       | 4        | L(20.8") |
| 14             | 92995-10100-00  | WASHER                     | 4        | L(20.8") |
| 15             | 92995-10600-00  | WASHER                     | 4        | L(20.8") |
| 16             | 97575-08565-00  | BOLT, WITH WASHER          | 1        | L(20.8") |
| 17             | 67C-45251-00-00 | ANODE                      | 1        |          |
| 18             | 97095-08035-00  | BOLT                       | 1        |          |
| 19             | 92995-08600-00  | WASHER                     | 1        |          |
| 20             | 663-44366-00-00 | .DAMPER, WATER SEAL 2      | 1        |          |
| 21             | 63D-44312-00-00 | .COVER, WATER PUMP HOUSING | 1        |          |
| 22             | 663-45987-02-00 | SPACER 1                   | 1        |          |
| 23             | 68U-45997-00-00 | SPACER 2                   | 1        |          |
| 24             | 92990-16200-00  | WASHER, PLAIN              | 1        |          |
| 25             | 90171-16011-00  | NUT, CASTLE                | 1        |          |
| 26             | 91490-30025-00  | PIN. COTTER                | 1        |          |
| 27             | 68U-45941-00-00 | PROPELLER (3X12-1/4"X9"-G) | 1        |          |



T25LA 0113 / FUEL TANK



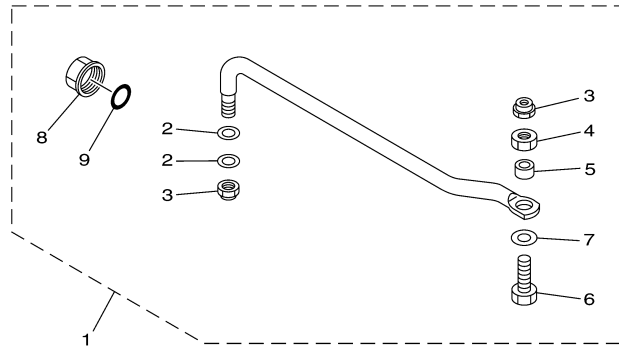
©2014 Yamaha Motor Corporation, U.S.A. All rights reserved.

## Part List

T25LA 0113 / FUEL TANK

| REF<br>-<br>NO | PART<br>NUMBER  | PART NAME            | QUANTITY | REMARKS |
|----------------|-----------------|----------------------|----------|---------|
| 1              | 6YK-24201-42-00 | FUEL TANK ASSY (25L) | 1        | AP      |
| 2              | 6YL-24610-10-00 | .CAP ASSY            | 1        |         |
| 3              | 6YL-24641-10-00 | ..GASKET, CAP 1      | 1        |         |
| 4              | 6YL-24377-01-00 | .PIPE, JOINT 2       | 1        |         |
| 5              | 6YL-24629-00-00 | .RING                | 1        |         |
| 6              | 6YK-24306-73-00 | FUEL PIPE COMP. 1    | 1        | AP      |

T25LA 0113 / STEERING GUIDE



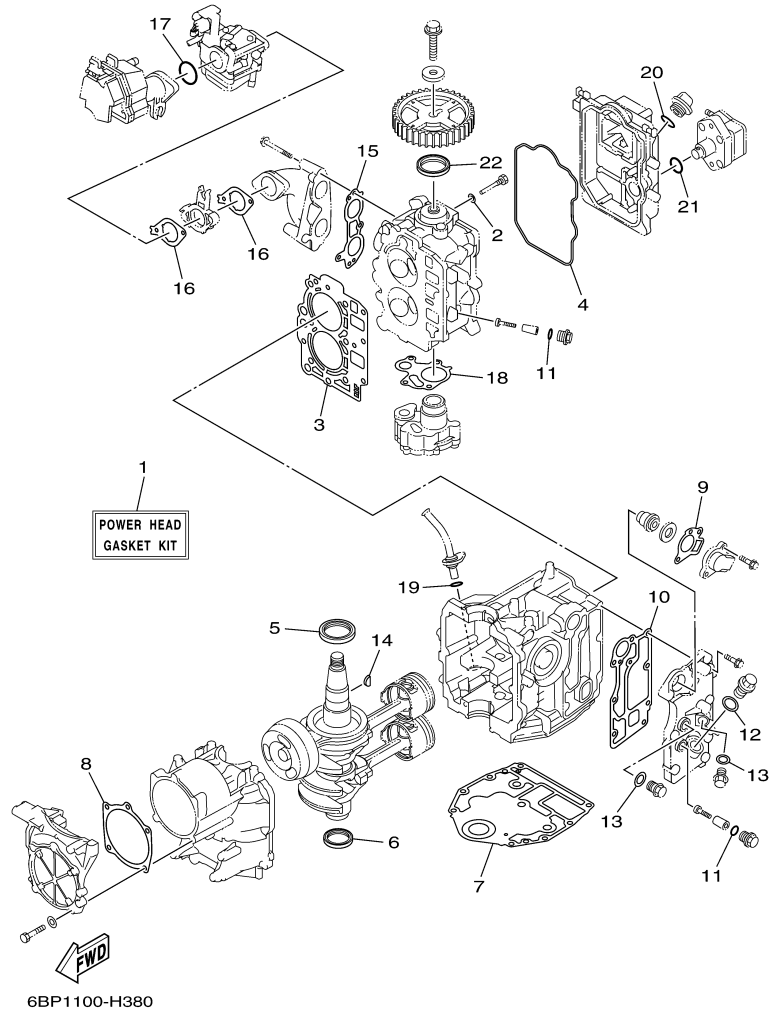
6BG1100-H340

## Part List

T25LA 0113 / STEERING GUIDE

| REF<br>-<br>NO | PART<br>NUMBER  | PART NAME                        | QUANTITY | REMARKS |
|----------------|-----------------|----------------------------------|----------|---------|
| 1              | 6BG-61350-00-00 | STEERING GUIDE<br>ATTACHMENT KIT | 1        | AP      |
| 2              | 90201-10M20-00  | .WASHER, PLATE                   | 2        |         |
| 3              | 90185-09M01-00  | .NUT, SELF-LOCKING               | 2        |         |
| 4              | 90170-09M03-00  | .NUT                             | 1        |         |
| 5              | 90387-10M42-00  | .COLLAR                          | 1        |         |
| 6              | 90101-09M01-00  | .BOLT                            | 1        |         |
| 7              | 90201-10M63-00  | .WASHER, PLATE                   | 1        |         |
| 8              | 6E5-43145-01-00 | .CAP, CLAMP BRACKET              | 1        |         |
| 9              | 93210-16275-00  | .O-RING                          | 1        |         |

T25LA 0113 / REPAIR KIT 1



©2014 Yamaha Motor Corporation, U.S.A. All rights reserved.


## Part List

T25LA 0113 / REPAIR KIT 1

| REF - NO | PART NUMBER     | PART NAME                    | QUANTITY | REMARKS |
|----------|-----------------|------------------------------|----------|---------|
| 1        | 6BL-W0001-00-00 | POWER HEAD GASKET KIT        | 1        |         |
| 2        | 90430-06014-00  | .GASKET                      | 1        |         |
| 3        | 6BL-11181-00-00 | .GASKET, CYLINDER HEAD 1     | 1        |         |
| 4        | 6BL-11356-00-00 | .SEAL, CYLINDER 2            | 1        |         |
| 5        | 93102-43M42-00  | .OIL SEAL                    | 1        |         |
| 6        | 93101-35002-00  | .OIL SEAL                    | 1        |         |
| 7        | 6BG-11351-00-00 | .GASKET, CYLINDER            | 1        |         |
| 8        | 6BL-15663-00-00 | .SEAL                        | 1        |         |
| 9        | 62Y-12414-00-00 | .GASKET, COVER               | 1        |         |
| 10       | 6BL-41114-00-00 | .GASKET, EXHAUST OUTER COVER | 1        |         |
| 11       | 93210-13M63-00  | .O-RING                      | 3        |         |
| 12       | 90430-18130-00  | .GASKET                      | 1        |         |
| 13       | 90430-14115-00  | .GASKET                      | 2        |         |
| 14       | 90280-03M01-00  | .KEY, WOODRUFF               | 1        |         |
| 15       | 6BL-13645-00-00 | .GASKET, MANIFOLD 1          | 1        |         |
| 16       | 6BL-13646-00-00 | .GASKET, MANIFOLD 2          | 2        |         |
| 17       | 93210-39ME4-00  | .O-RING                      | 1        |         |
| 18       | 6C5-13329-00-00 | .GASKET, PUMP COVER          | 1        |         |
| 19       | 93210-19MJ3-00  | .O-RING                      | 1        |         |
| 20       | 93210-24M79-00  | .O-RING                      | 1        |         |
| 21       | 93210-24M79-00  | .O-RING                      | 1        |         |
| 22       | 93102-37M40-00  | .OIL SEAL                    | 1        |         |

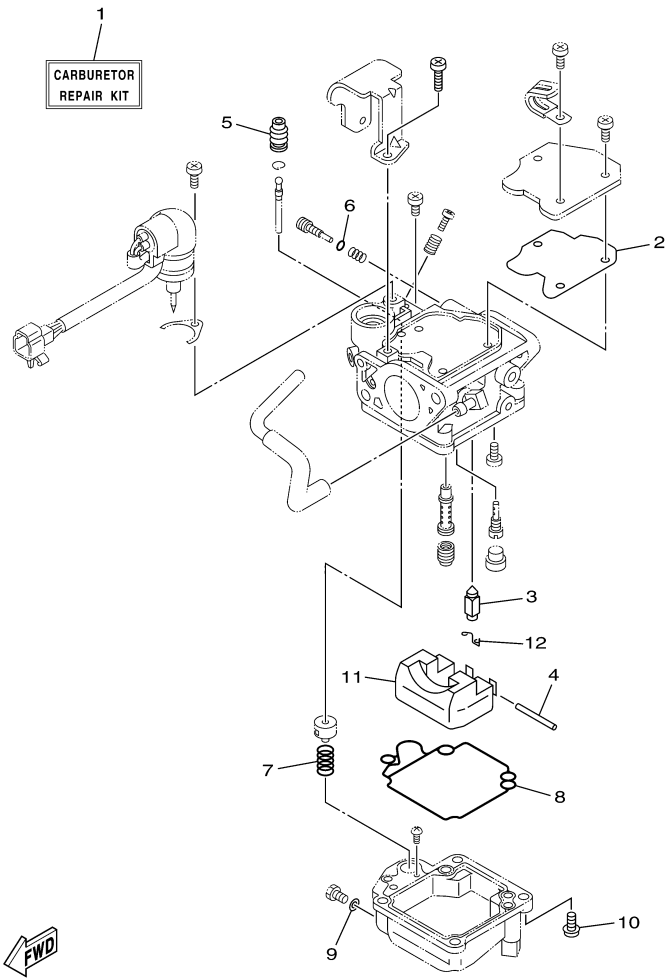
## Part Notes

T25LA 0113 / REPAIR KIT 1

| PART NUMBER   | NOTE TEXT  |
|---|--|
| 62Y-12414-00-00  | OEM: This part number is among the Top 100 Most Popular Marine Maintenance Parts as of March 2014. |

©2014 Yamaha Motor Corporation, U.S.A. All rights reserved.

T25LA 0113 / REPAIR KIT 2



6BP1100-H390

©2014 Yamaha Motor Corporation, U.S.A. All rights reserved.

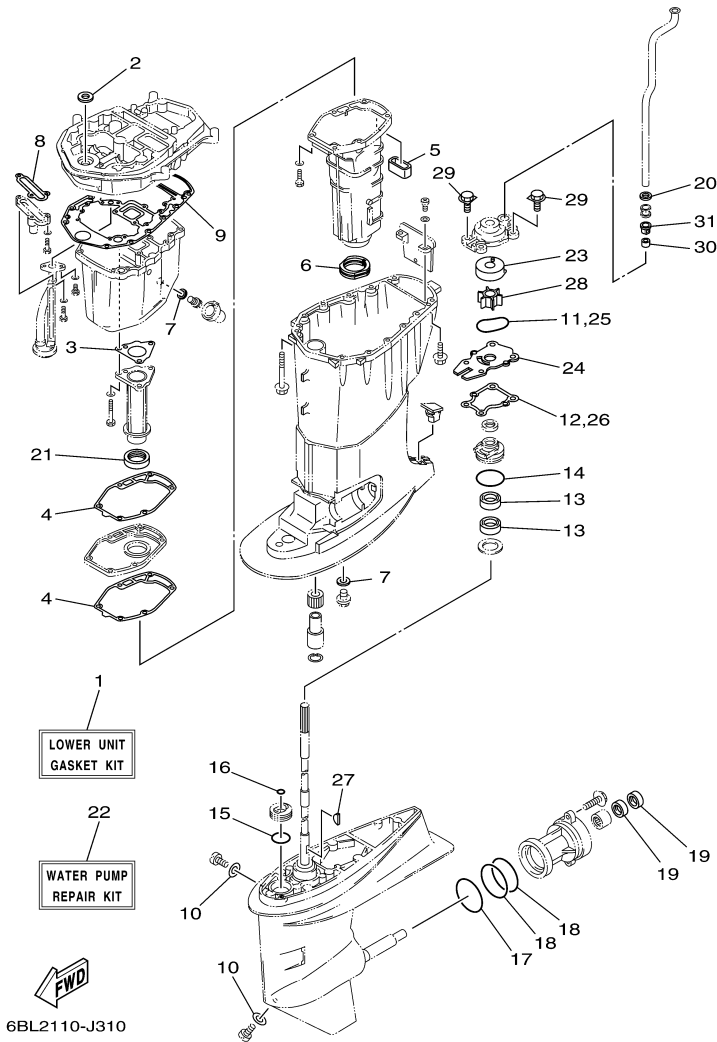
## Part List

T25LA 0113 / REPAIR KIT 2

| REF<br>-<br>NO | PART<br>NUMBER  | PART NAME              | QUANTITY | REMARKS |
|----------------|-----------------|------------------------|----------|---------|
| 1              | 6BL-W0093-00-00 | CARBURETOR REPAIR KIT  | 1        |         |
| 2              | 65W-14126-10-00 | .GASKET                | 1        |         |
| 3              | 6AH-14546-00-00 | .VALVE, NEEDLE         | 1        |         |
| 4              | 6H4-14548-00-00 | .PIN, FLOAT ARM        | 1        |         |
| 5              | 65W-14373-02-00 | .COVER, PLUNGER CAP    | 1        |         |
| 6              | 67C-14397-00-00 | .O-RING                | 1        |         |
| 7              | 65W-14335-00-00 | .SPRING, PLUNGER       | 1        |         |
| 8              | 65W-14384-00-00 | .GASKET, FLOAT CHAMBER | 1        |         |
| 9              | 65W-14398-00-00 | .GASKET                | 1        |         |
| 10             | 97980-04114-00  | .SCREW, WITH WASHER    | 4        |         |
| 11             | 63V-14985-00-00 | .FLOAT                 | 1        |         |
| 12             | 663-14159-00-00 | .CLIP                  | 1        |         |



T25LA 0113 / REPAIR KIT 3



©2014 Yamaha Motor Corporation, U.S.A. All rights reserved.




## Part List

T25LA 0113 / REPAIR KIT 3

| REF - NO | PART NUMBER     | PART NAME                   | QUANTITY | REMARKS |
|----------|-----------------|-----------------------------|----------|---------|
| 1        | 6BL-W0001-21-00 | LOWER UNIT GASKET KIT       | 1        |         |
| 2        | 93110-16004-00  | .OIL SEAL                   | 1        |         |
| 3        | 64J-41133-10-00 | .GASKET, EXHAUST MANIFOLD 1 | 1        |         |
| 4        | 6BG-41134-00-00 | .GASKET, EXHAUST MANIFOLD   | 2        |         |
| 5        | 62Y-45127-00-00 | .SEAL                       | 1        |         |
| 6        | 67C-45123-00-00 | .GASKET, MUFFLER            | 1        |         |
| 7        | 90430-14M09-00  | .GASKET                     | 2        |         |
| 8        | 62Y-13475-00-00 | .GASKET                     | 1        |         |
| 9        | 69W-15312-00-00 | .GASKET, OIL PAN            | 1        |         |
| 10       | 90430-08020-00  | .GASKET                     | 2        |         |
| 11       | 93210-59MG7-00  | .O-RING                     | 1        |         |
| 12       | 63D-44316-00-00 | .GASKET, WATER PUMP         | 1        |         |
| 13       | 93101-22M60-00  | .OIL SEAL                   | 2        |         |
| 14       | 93210-48001-00  | .O-RING                     | 1        |         |
| 15       | 93210-33MG4-00  | .O-RING                     | 1        |         |
| 16       | 93210-06ME6-00  | .O-RING                     | 1        |         |
| 17       | 93210-69MG6-00  | .O-RING                     | 1        |         |
| 18       | 93210-74MG5-00  | .O-RING                     | 2        |         |
| 19       | 93101-22M00-00  | .OIL SEAL                   | 2        |         |
| 20       | 90430-12072-00  | .GASKET                     | 1        |         |
| 21       | 64J-46132-10-00 | .GASKET 1                   | 1        |         |
| 22       | 66T-W0078-00-00 | WATER PUMP REPAIR KIT       | 1        |         |
| 23       | 63D-44322-00-00 | .INSERT, CARTRIDGE          | 1        |         |
| 24       | 66T-44323-00-00 | .OUTER PLATE, CARTRIDGE     | 1        |         |
| 25       | 93210-59MG7-00  | .O-RING                     | 1        |         |
| 26       | 63D-44316-00-00 | .GASKET, WATER PUMP         | 1        |         |
| 27       | 90280-03M03-00  | .KEY, WOODRUFF              | 1        |         |
| 28       | 6H4-44352-02-00 | .IMPELLER                   | 1        |         |
| 29       | 90119-08M15-00  | .BOLT, WITH WASHER          | 4        |         |
| 30       | 663-44366-00-00 | .DAMPER, WATER SEAL 2       | 1        |         |
| 31       | 63D-44312-00-00 | .COVER, WATER PUMP HOUSING  | 1        |         |

## Part Notes

T25LA 0113 / REPAIR KIT 3

| PART NUMBER     |   | NOTE TEXT  |
|-----------------|---|--|
| 90430-14M09-00  |  | OEM: This part number is among the Top 100 Most Popular Marine Maintenance Parts as of March 2014. |
| 90430-08020-00  |  | OEM: This part number is among the Top 100 Most Popular Marine Maintenance Parts as of March 2014. |
| 6H4-44352-02-00 |  | OEM: This part number is among the Top 100 Most Popular Marine Maintenance Parts as of March 2014. |

©2014 Yamaha Motor Corporation, U.S.A. All rights reserved.

©2014 Yamaha Motor Corporation, U.S.A. All rights reserved.