




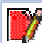

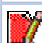
## Part List

25ESG 1988 / CRANKCASE CYLINDER

REF - NO	PART NUMBER	PART NAME	QUANTITY	REMARKS
1	6L2-W0090-11-EK	CRANK-CYLINDER ASSEMBLY	1	
2	6L2-15100-10-94	CRANKCASE ASSEMBLY	1	
3	6E5-11372-00-00	.NIPPLE, HOSE	4	
4	90445-07M15-00	HOSE (L40)	2	
5	90467-06016-00	CLIP	4	
6	93604-10M03-00	PIN, DOWEL	4	
7	95612-08645-00	BOLT, STUD (95611-08645)	2	
8	90201-08086-00	WASHER, PLATE	2	
9	95333-08600-00	NUT	2	
10	90119-08M21-00	BOLT, WITH WASHER	4	
11	90119-06M14-00	BOLT, WITH WASHER	4	
12	6J8-11325-00-00	ANODE	1	
13	6H3-11327-00-94	COVER, ANODE	1	
14	6H3-11328-00-00	GROMMET, ANODE	1	
15	97313-06016-00	BOLT, HEXAGON	1	
16	92990-06600-00	WASHER, PLATE	1	
17	6L2-11111-00-94	HEAD, CYLINDER.1	1	
18	6L2-11181-A1-00	GASKET, CYLINDER HEAD 1	1	
19	6L2-11191-00-9M	COVER, CYLINDER HEAD 1	1	
20	6L2-11193-A1-00	.GASKET, HEAD COVER 1	1	
21	90119-08M20-00	BOLT, WITH WASHER	10	
22	97313-06016-00	BOLT, HEXAGON	2	
23	92990-06600-00	WASHER, PLATE	2	
24	6E5-12411-20-00	THERMOSTAT	1	
25	6H4-12413-00-9M	COVER, THERMOSTAT	1	
26	6J8-12414-A0-00	GASKET, COVER	1	
27	97313-06025-00	BOLT	2	
28	92990-06600-00	WASHER, PLATE	2	
29	6L2-41111-00-9M	INNER COVER, EXHAUST	1	
30	6L2-41112-00-00	GASKET EXHAUST	1	
31	6L2-41113-00-9M	OUTER COVER, EXHAUST	1	
32	676-11372-00-00	.NIPPLE, HOSE	1	
33	6L2-41114-00-00	GASKET, EXH.COVER	1	
34	97313-06030-00	BOLT	10	
35	92990-06600-00	WASHER, PLATE	10	
36	90445-10M40-00	HOSE (L330)	1	
37	6L2-45113-A1-00	.GASKET, UPPER CASING	1	
38	NGK-B7HS1-00-00	PLUG, SPARK (NGK B7HS-10)	2	

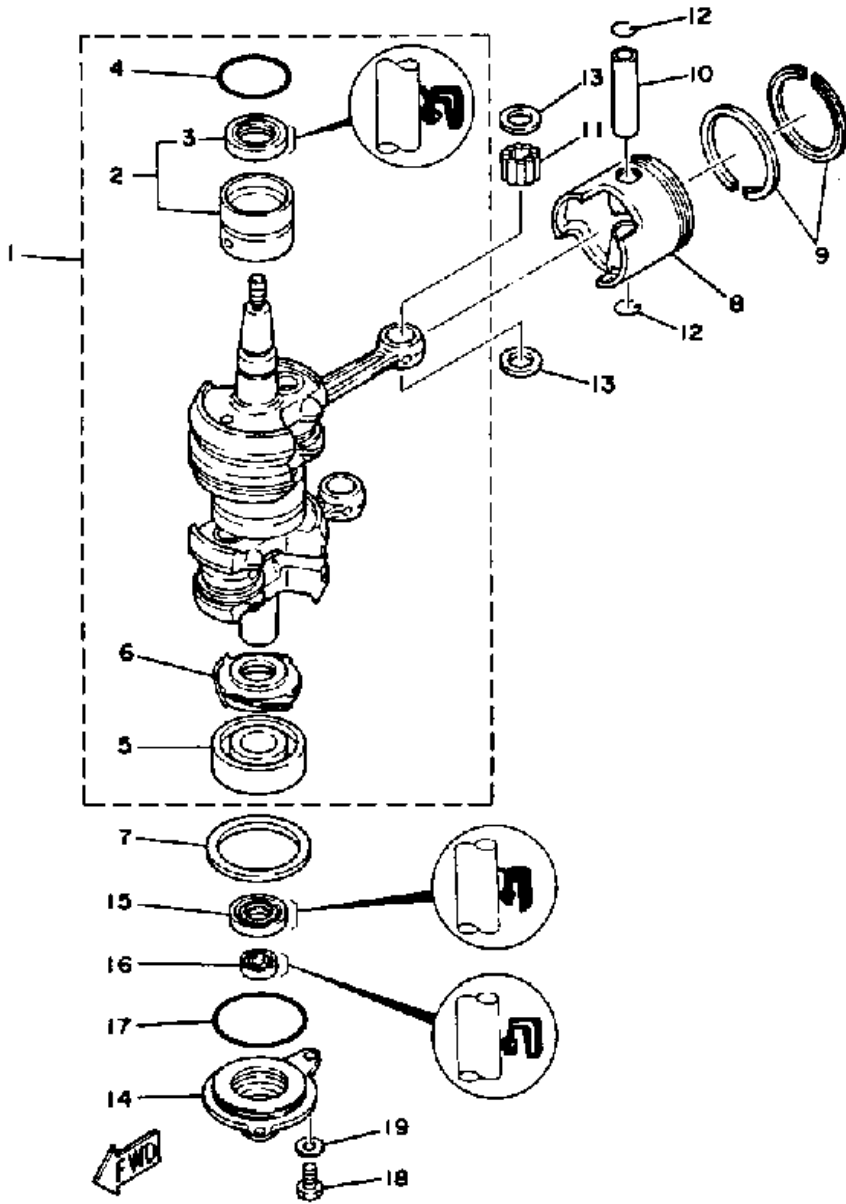
## Part Notes

25ESG 1988 / CRANKCASE CYLINDER

PART NUMBER	NOTE TEXT
92990-06600-00 	OEM: This part number is among the Top 100 Most Popular Marine Maintenance Parts as of March 2014.
92990-06600-00 	OEM: This part number is among the Top 100 Most Popular Marine Maintenance Parts as of March 2014.
92990-06600-00 	OEM: This part number is among the Top 100 Most Popular Marine Maintenance Parts as of March 2014.
92990-06600-00 	OEM: This part number is among the Top 100 Most Popular Marine Maintenance Parts as of March 2014.

©2014 Yamaha Motor Corporation, U.S.A. All rights reserved.

25ESG 1988 / CRANK PISTON



©2014 Yamaha Motor Corporation, U.S.A. All rights reserved.


## Part List

25ESG 1988 / CRANK PISTON

REF - NO	PART NUMBER	PART NAME	QUANTITY	REMARKS
0	6L2-11610-20-00	PISTON RING SET (0.50MM O/S)	2	ALT. PART
1	6L2-11400-10-00	CRANKSHAFT ASSEMBLY	1	
2	93313-628U0-00	.BEARING, CYLINDER#13	1	
3	93102-26M27-00	.OIL SEAL	1	
4	93210-42159-00	.O-RING	1	
5	93306-305U5-00	.BEARING	2	
6	6J8-11536-00-00	.GEAR, DRIVE	1	
7	90201-50306-00	WASHER, PLATE	1	
8	6L2-11636-00-00	PISTON (0.50MM O/S)	2	ALT. PART
8	6L2-11631-00-97	PISTON (STD)	2	
9	6L2-11610-00-00	PISTON RING SET (STD)	2	
10	648-11633-00-00	PIN, PISTON	2	
11	93602-18M12-00	PIN, DOWEL	62	
12	93450-20026-00	CIRCLIP	4	
13	90201-18522-00	WASHER, PLATE	4	
14	6L2-15396-00-9M	HOUSING, OIL SEAL	1	
15	93102-25142-00	.OIL SEAL	1	
16	93101-13M37-00	.OIL SEAL	1	
17	93210-56M80-00	.O-RING	1	
18	97395-06016-00	BOLT, HEX	2	
19	92990-06600-00	.WASHER, PLATE	2	

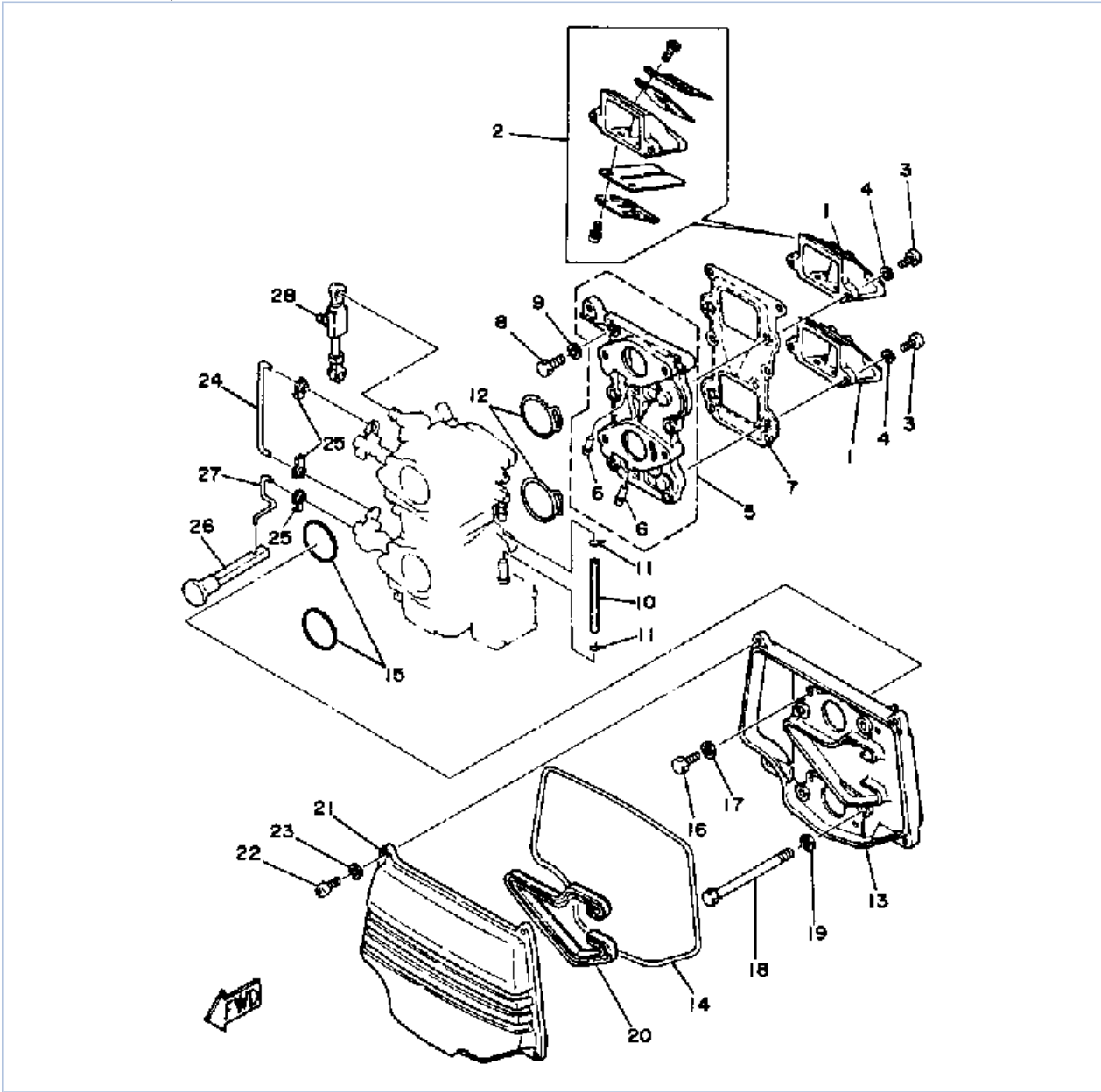
## Part Notes

25ESG 1988 / CRANK PISTON

PART NUMBER	NOTE TEXT
92990-06600-00 	OEM: This part number is among the Top 100 Most Popular Marine Maintenance Parts as of March 2014.

©2014 Yamaha Motor Corporation, U.S.A. All rights reserved.

25ESG 1988 / INTAKE



©2014 Yamaha Motor Corporation, U.S.A. All rights reserved.



## Part List

25ESG 1988 / INTAKE

REF - NO	PART NUMBER	PART NAME	QUANTITY	REMARKS
1	6L2-13610-00-00	REED VALVE ASSY	2	
2	6L2-W0004-00-00	.REED SET	1	
3	98580-05016-00	SCREW, PAN HEAD	4	
4	92990-05600-00	WASHER, PLATE	4	
5	6L2-13641-10-94	MANIFOLD 1	1	
6	676-14485-00-00	.PIPE, JOINT	2	
7	6L2-13621-00-00	.GASKET, VALVE SEAT	1	
8	97313-06025-00	BOLT	6	
9	92990-06600-00	WASHER, PLATE	6	
10	90445-09061-00	HOSE (L65)	1	
11	90467-08004-00	CLIP	2	
12	6L2-14198-00-00	.GASKET	2	
13	6L2-14417-00-94	COVER 1	1	
14	6L2-14476-00-00	SEAL	1	
15	93210-35M86-00	.O-RING	2	
16	97313-05012-00	BOLT, HEXAGON	4	
17	92990-05600-00	WASHER, PLATE	4	
18	97390-06085-00	BOLT	4	
19	92990-06600-00	WASHER, PLATE	4	
20	6L2-14476-11-00	SEAL	1	
21	6L2-14418-00-00	COVER 2	1	
22	97886-05016-00	SCREW, PAN HEAD	4	
23	92990-05600-00	WASHER, PLATE	4	
24	6J8-41259-00-00	ROD, CHOKE 3	1	
25	661-41262-02-00	JOINT, CHOKE LEVER	3	
26	6J8-41271-01-00	KNOB, CHOKE	1	
27	6L2-41257-00-00	ROD, CHOKE 2	1	
28	6L2-41217-00-00	ROD, ACCEL. LEVER	1	

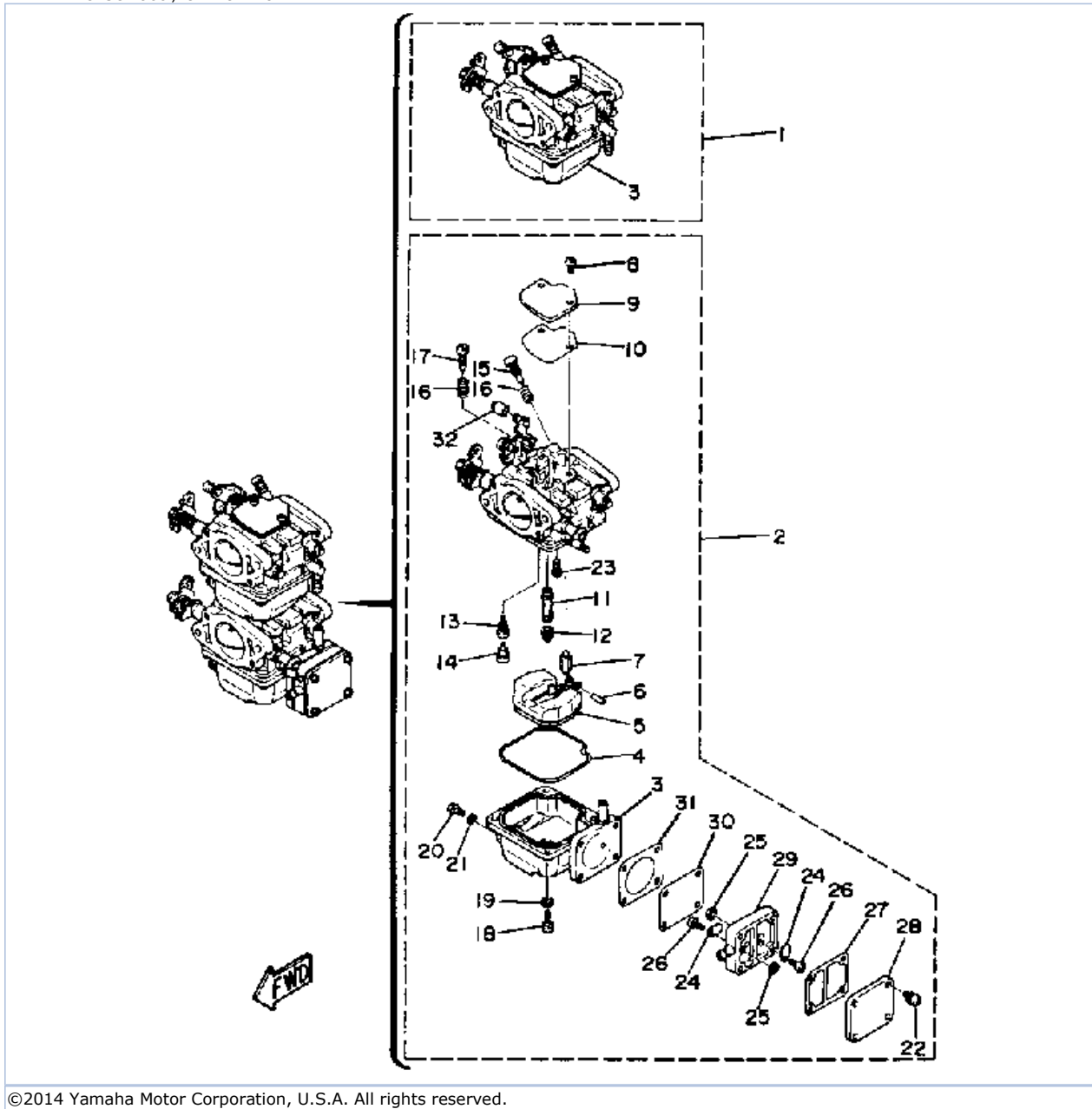
## Part Notes

25ESG 1988 / INTAKE

PART NUMBER	NOTE TEXT
92990-06600-00 	OEM: This part number is among the Top 100 Most Popular Marine Maintenance Parts as of March 2014.
92990-06600-00 	OEM: This part number is among the Top 100 Most Popular Marine Maintenance Parts as of March 2014.

©2014 Yamaha Motor Corporation, U.S.A. All rights reserved.

25ESG 1988 / CARBURETOR



©2014 Yamaha Motor Corporation, U.S.A. All rights reserved.

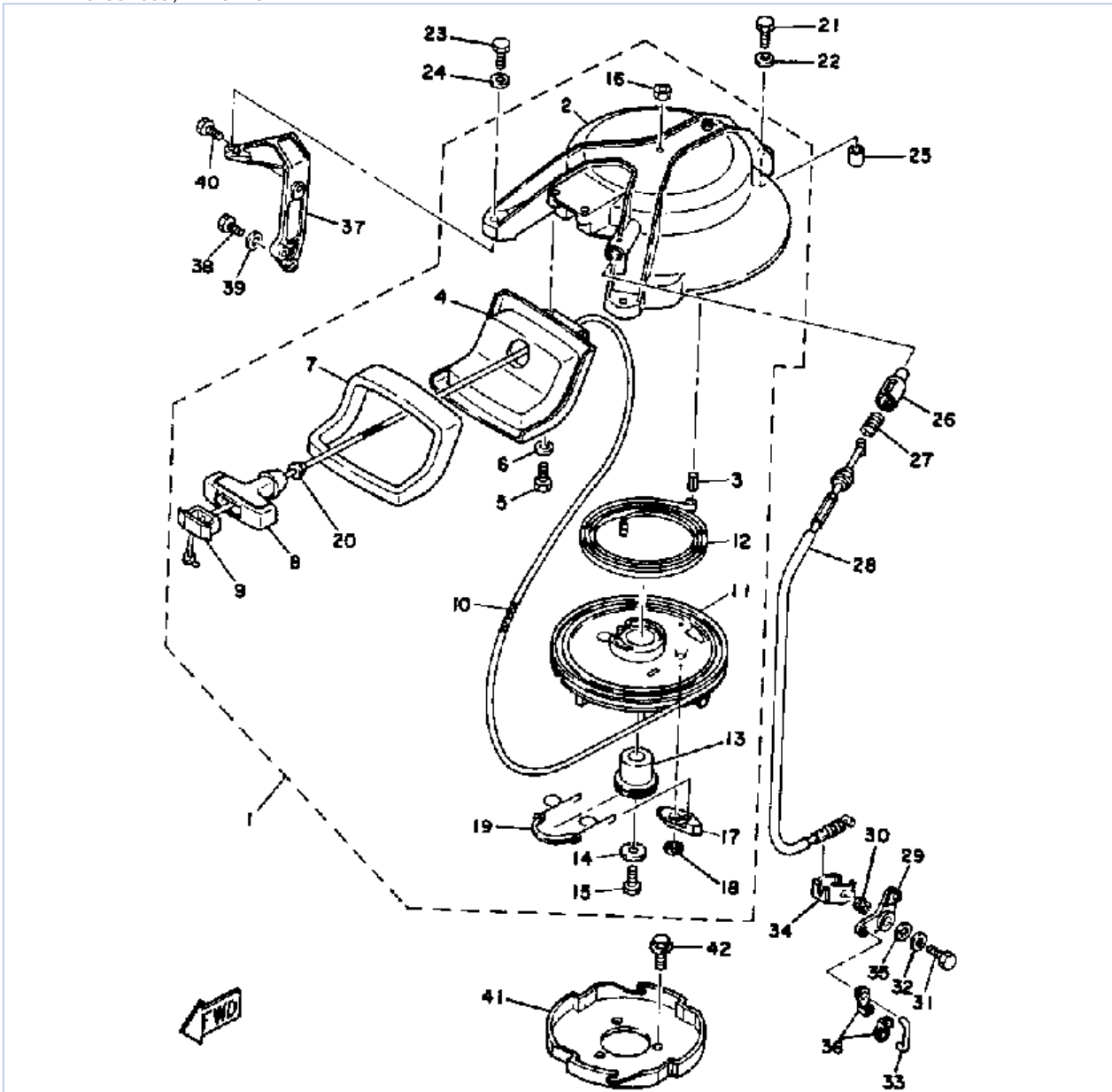
## Part List

25ESG 1988 / CARBURETOR

REF - NO	PART NUMBER	PART NAME	QUANTITY	REMARKS
1	6L2-14301-01-00	CARBURETOR ASSY 1	1	UPPER
2	6L2-14302-01-00	CARBURETOR ASSY 2	1	LOWER
3	6L2-14381-00-00	.BODY, FLOAT CHAMBER 1	1	UR UPPER
3	6L2-14383-00-00	SCREW, DRAIN	1	UR LOWER
4	6L2-14384-00-00	.GASKET, FLOAT CHAMBER	2	
5	6L2-14385-00-00	.FLOAT	2	
6	6E5-14386-01-00	.PIN, FLOAT	2	
7	6L2-14392-00-00	.VALVE	2	
8	98580-04010-00	.SCREW, PAN HEAD	4	
9	6L2-14157-00-00	.COVER, MIXING	2	
10	6L2-14399-00-00	.GASKET	2	
11	6L2-14341-00-00	.NOZZLE, MAIN	2	
12	30X-14343-63-00	.JET, MAIN (125)	2	
13	6L2-14342-30-00	.JET, PILOT (60)	2	
14	50M-14355-00-00	.PLUG	2	
15	6L2-14323-00-00	.SCREW, AIR ADJUSTING	2	
16	646-14212-01-00	.SPRING, PILOT ADJUSTING	4	
17	98503-04014-00	.SCREW, PAN HEAD	2	
18	98511-04012-00	.SCREW, PAN HEAD	8	
19	92901-04100-00	.WASHER, SPRING	8	
20	677-14383-01-00	.SCREW, DRAIN	2	
21	6L2-14398-00-00	.GASKET	2	
22	677-24444-01-00	.SCREW	4	
23	98901-04006-00	.SCREW, BIND	2	
24	6A0-24421-01-00	.VALVE, CHECK	2	
25	98813-03100-00	.NUT	2	
26	6E7-14325-00-00	.SCREW, PAN HEAD	2	
27	677-24435-01-00	.GASKET, BODY 2	1	
28	6L2-24413-00-00	.BODY 2	1	
29	682-24412-00-00	.BODY 1	1	
30	677-24411-02-00	.DIAPHRAGM	1	
31	677-24434-01-00	.GASKET, BODY	1	
32	6L2-14578-00-00	.COLLAR	1	



25ESG 1988 / MANUAL STARTER



©2014 Yamaha Motor Corporation, U.S.A. All rights reserved.




## Part List

25ESG 1988 / MANUAL STARTER

REF - NO	PART NUMBER	PART NAME	QUANTITY	REMARKS
1	6L2-15710-00-00	STARTER ASSEMBLY	1	
2	6L2-15711-00-94	.CASE, STARTER	1	
3	91690-40014-00	.PIN, SPRING	1	
4	6L2-15758-00-94	.GUIDE, ROPE	1	
5	97313-06016-00	.BOLT, HEXAGON	2	
6	92990-06600-00	.WASHER, PLATE	2	
7	6L2-15762-00-00	.SEAL, RUBBER 2	1	
8	689-15755-00-00	.HANDLE, STARTER	1	
9	6F5-15779-01-00	.COVER	1	
10	90580-50M01-00	.ROPE, STARTER	1	
11	6J8-15714-00-00	.DRUM, SHEAVE	1	
12	90510-08M04-00	.SPRING, SPIRAL	1	
13	677-15717-01-00	.SHAFT, STARTER	1	
14	90201-065F3-00	.WASHER, PLATE	1	
15	97313-06025-00	.BOLT	1	
16	95380-06700-00	.NUT	1	
17	676-15741-03-00	.PAWL, DRIVE	1	
18	93430-06M02-00	.CIRCLIP	1	
19	6J8-15705-00-00	.SPRING, DRIVE PAWL	1	
20	6A0-15789-00-00	.DAMPER	1	
21	97013-06035-00	BOLT	1	
22	92990-06600-00	WASHER, PLATE	1	
23	97313-06025-00	BOLT	2	
24	92990-06600-00	WASHER, PLATE	2	
25	99530-10014-00	PIN, DOWEL	1	
26	656-15748-00-00	PLUNGER, STARTER STOP	1	
27	90501-10227-00	SPRING, COMPRESSION	1	
28	6L2-15770-00-00	CABLE COMP., STARTER STOP	1	
29	6L2-15746-00-00	ARM	1	
30	90387-06M51-00	COLLAR	1	
31	97313-06020-00	BOLT, HEXAGON	1	
32	92995-06100-00	WASHER, SPRING	1	
33	6L2-15747-00-00	LINK	1	
34	6L2-15774-00-00	STAY 4	1	
35	90201-06M62-00	WASHER, PLATE	1	
36	661-41262-02-00	JOINT, CHOKE LEVER	2	
37	6L2-15772-00-94	STAY 2	1	
38	97313-06020-00	BOLT, HEXAGON	1	
39	92990-06600-00	WASHER, PLATE	1	
40	97313-06020-00	BOLT, HEXAGON	1	
41	6L2-15723-00-00	PULLEY, STARTER	1	
42	97516-08212-00	BOLT W/WASHER	3	

## Part Notes

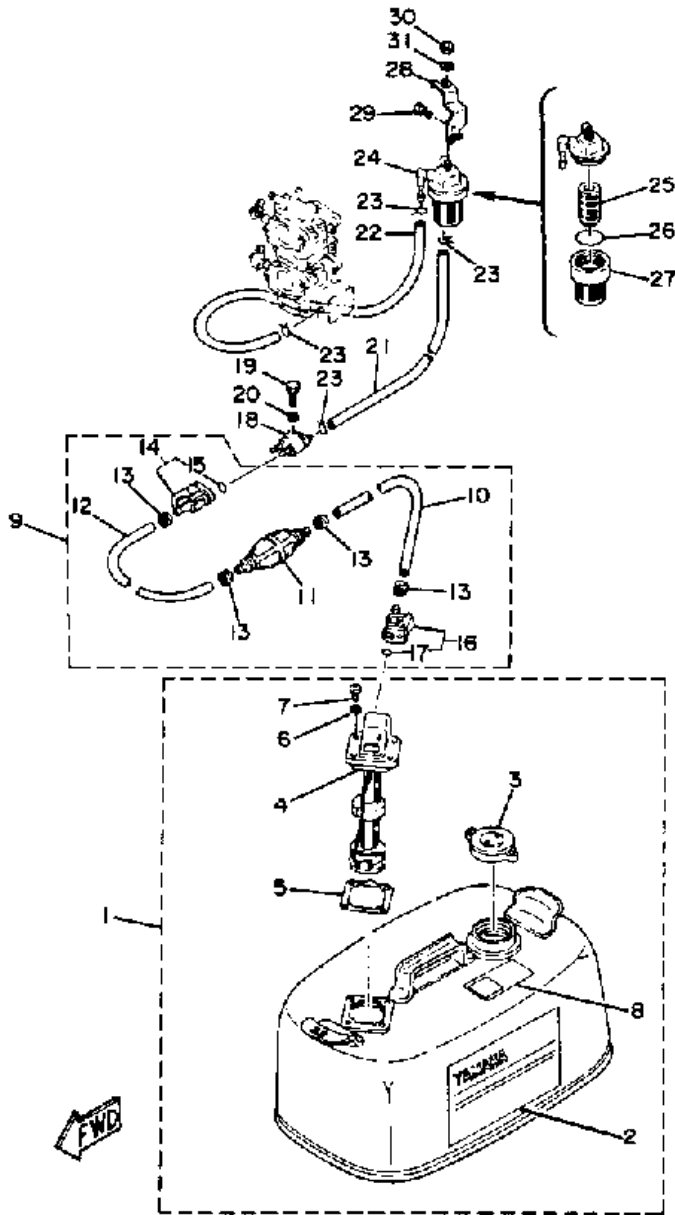
25ESG 1988 / MANUAL STARTER

PART NUMBER	NOTE TEXT
92990-06600-00 	OEM: This part number is among the Top 100 Most Popular Marine Maintenance Parts as of March 2014.
92990-06600-00 	OEM: This part number is among the Top 100 Most Popular Marine Maintenance Parts as of March 2014.
92990-06600-00 	OEM: This part number is among the Top 100 Most Popular Marine Maintenance Parts as of March 2014.
92990-06600-00	OEM: This part number is among the Top 100 Most Popular Marine Maintenance Parts as of March 2014.



©2014 Yamaha Motor Corporation, U.S.A. All rights reserved.

25ESG 1988 / FUEL TANK



©2014 Yamaha Motor Corporation, U.S.A. All rights reserved.


## Part List

25ESG 1988 / FUEL TANK

REF - NO	PART NUMBER	PART NAME	QUANTITY	REMARKS
1	6Y1-W2420-42-24	FUEL TANK ASSEMBLY	1	
2	6Y1-24244-20-00	.GRAPHIC, SIDE	1	
3	6Y1-24610-00-00	.CAP ASSEMBLY	1	
4	6Y1-24260-02-00	.FUEL METER ASSEMBLY	1	
5	6Y1-24268-00-00	.GASKET, FUEL METER	1	
6	6Y1-24329-00-00	.SEAL	4	
7	98586-05016-00	.SCREW, PAN HEAD	4	
8	6Y1-24256-50-00	.GRAPHIC, FUEL TANK	1	
9	6Y1-24306-51-00	.FUEL PIPE COMP 1	1	
10	90445-11M06-00	.HOSE (L2050)	1	SEE NOTE
11	6Y1-24360-51-00	.PRIMER PUMP ASSY	1	
12	90445-11M05-00	.HOSE (L850)	1	SEE NOTE
13	650-24351-51-00	.BAND 1	4	
14	6G1-24305-01-00	.FUEL PIPE JOINT COMP 2	1	
15	93210-08287-00	..O-RING	1	
16	6Y1-24305-02-00	.FUEL PIPE JOINT COMP 2	1	
17	93210-08287-00	..O-RING	1	
18	6G1-24304-02-00	FUEL PIPE JOINT COMP. 1	1	
19	97313-06020-00	BOLT, HEXAGON	1	
20	92990-06600-00	WASHER, PLATE	1	
21	6H4-24311-00-00	PIPE, FUEL 1	1	
22	90445-09M25-00	HOSE (L600)	1	
23	90467-08004-00	CLIP	4	
24	655-24560-01-00	FILTER ASSEMBLY	1	
25	6F5-24563-00-00	.ELEMENT, FILTER	1	
26	93210-37M25-00	..O-RING	1	
27	655-24521-01-00	.CUP, FILTER	1	
28	6L2-24566-00-00	BRACKET, FILTER	1	
29	97013-06012-00	BOLT	1	
30	95333-08600-00	NUT	1	
31	92990-08100-00	WASHER, SPRING	1	

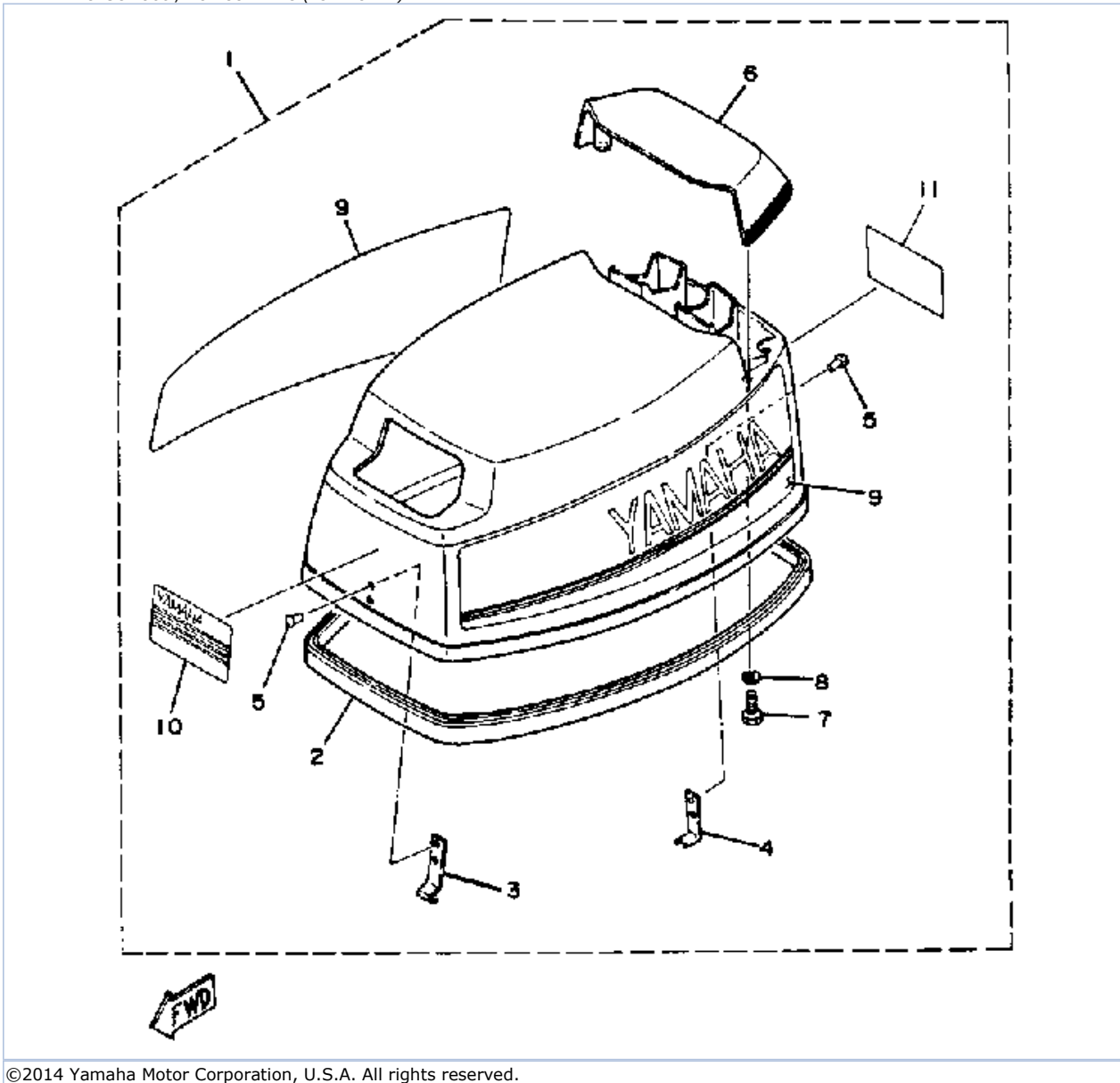
## Part Notes

25ESG 1988 / FUEL TANK

PART NUMBER	NOTE TEXT
92990-06600-00 	OEM: This part number is among the Top 100 Most Popular Marine Maintenance Parts as of March 2014.

©2014 Yamaha Motor Corporation, U.S.A. All rights reserved.

25ESG 1988 / TOP COWLING (25E MODEL)



©2014 Yamaha Motor Corporation, U.S.A. All rights reserved.


## Part List

25ESG 1988 / TOP COWLING (25E MODEL)

REF - NO	PART NUMBER	PART NAME	QUANTITY	REMARKS
1	6L2-42610-W1-EK	TOP COWLING ASSEMBLY	1	
2	6L2-42615-00-00	.SEAL	1	
3	[6G-14265-17-00	.UNAVAILABLE IN PRICE BOOK	1	
4	6G1-42647-00-00	.HOLDER, CLAMP BAND	1	
5	90266-04M00-00	.RIVET	4	
6	6L2-42613-00-EK	.MOLDING, AIR DUCT	1	
7	97313-06016-00	.BOLT, HEXAGON	4	
8	92990-06600-00	.WASHER, PLATE	4	
9	6L2-W0070-41-00	.GRAPHIC SET	1	
10	689-42677-01-00	.GRAPHIC, FRONT	1	
11	695-42678-10-00	.GRAPHIC, REAR	1	

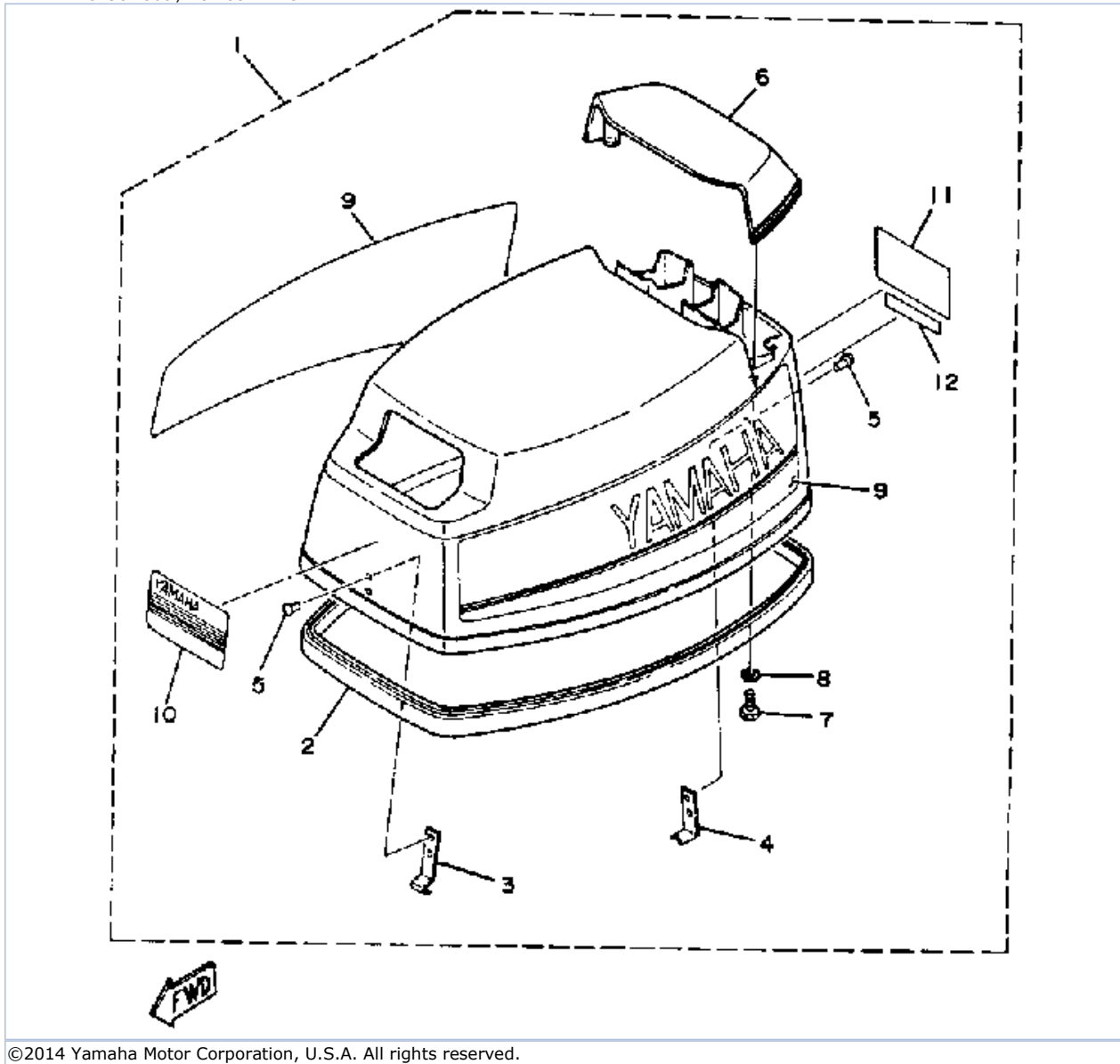
## Part Notes

25ESG 1988 / TOP COWLING (25E MODEL)

PART NUMBER	NOTE TEXT
92990-06600-00 	OEM: This part number is among the Top 100 Most Popular Marine Maintenance Parts as of March 2014.

©2014 Yamaha Motor Corporation, U.S.A. All rights reserved.

25ESG 1988 / TOP COWLING



©2014 Yamaha Motor Corporation, U.S.A. All rights reserved.




## Part List

25ESG 1988 / TOP COWLING

REF - NO	PART NUMBER	PART NAME	QUANTITY	REMARKS
1	6L2-42610-40-EK	TOP COWLING ASSEMBLY	1	
2	6L2-42615-00-00	.SEAL	1	
3	[6G-14265-17-00	.UNAVAILABLE IN PRICE BOOK	1	
4	6G1-42647-00-00	.HOLDER, CLAMP BAND	1	
5	90266-04M00-00	.RIVET	4	
6	6L2-42613-00-EK	.MOLDING, AIR DUCT	1	
7	97313-06016-00	.BOLT, HEXAGON	4	
8	92990-06600-00	.WASHER, PLATE	4	
9	6L2-W0070-41-00	.GRAPHIC SET	1	
10	689-42677-01-00	.GRAPHIC, FRONT	1	
11	695-42678-10-00	.GRAPHIC, REAR	1	
12	6G1-42683-00-00	.MARK, COWLING 3	1	

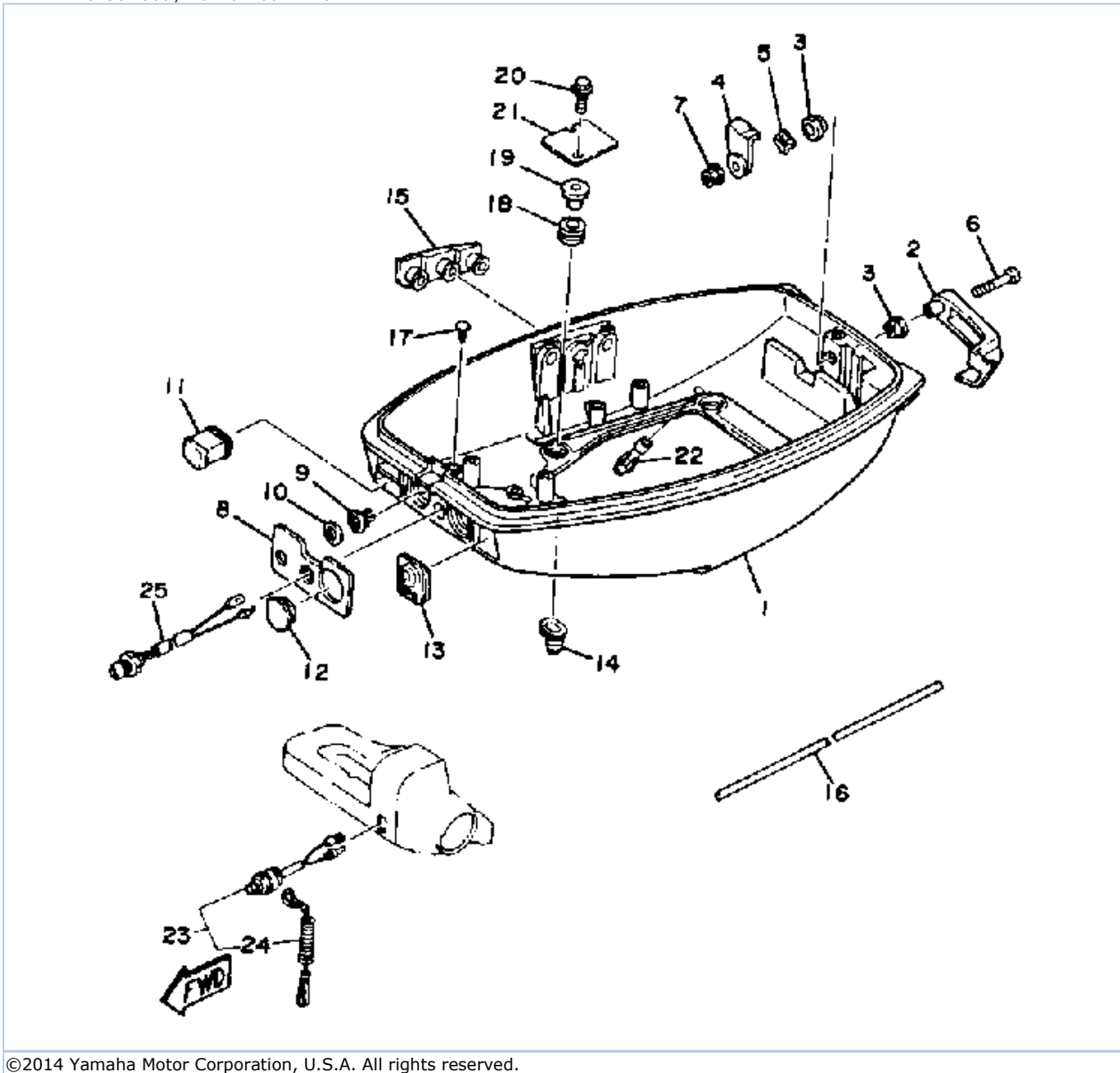
## Part Notes

25ESG 1988 / TOP COWLING

PART NUMBER	NOTE TEXT
92990-06600-00 	OEM: This part number is among the Top 100 Most Popular Marine Maintenance Parts as of March 2014.

©2014 Yamaha Motor Corporation, U.S.A. All rights reserved.

25ESG 1988 / BOTTOM COWLING



©2014 Yamaha Motor Corporation, U.S.A. All rights reserved.


## Part List

25ESG 1988 / BOTTOM COWLING

REF - NO	PART NUMBER	PART NAME	QUANTITY	REMARKS
0	6L2-42719-B0-00	PANEL, FRONT LOWER	1	UR 25E MODEL
1	6L2-42711-00-EK	BOTTOM COWLING	1	
2	6L2-42815-00-EK	LEVER, CLAMP 1	1	
3	90386-12M45-00	BUSH	2	
4	6E0-42816-00-00	LEVER, CLAMP	1	
5	90206-12052-00	WASHER, WAVE	1	
6	97890-06035-00	.SCREW, PAN HEAD	1	
7	95780-06300-00	NUT, FLANGE	1	
8	6L2-42719-00-00	PANEL, FRONT LOWER	1	UR 25 MODEL
9	689-41273-00-00	GROMMET	1	
10	6J8-41274-00-00	GROMMET 2	1	
11	6L2-42725-00-00	GROMMET	1	
12	6G1-42724-00-00	GROMMET	1	
13	6L2-42726-01-00	GROMMET	1	
14	6G1-42727-00-00	GROMMET	1	
15	6L2-42748-01-00	GROMMET	1	
16	6L2-42716-00-00	RUBBER, SEAL 1	1	
17	90338-05M03-00	PLUG	2	
18	90480-15M31-00	GROMMET	4	
19	90387-06M52-00	COLLAR	4	
20	90105-06M15-00	BOLT, FLANGE	4	
21	(6L2-42738-00-00)	PLATE, FITTING	2	
22	6H3-44391-01-00	NIPPLE, HOSE	1	
23	689-82575-03-00	ENGINE STOP SWITCH ASSEMBLY (689-82575-02- 00)	1	
24	682-82556-00-00	.LANYARD, STOP SWITCH	1	
25	6J8-85410-00-00	EMERGENCY SIGNAL LIGHT ASSY	1	

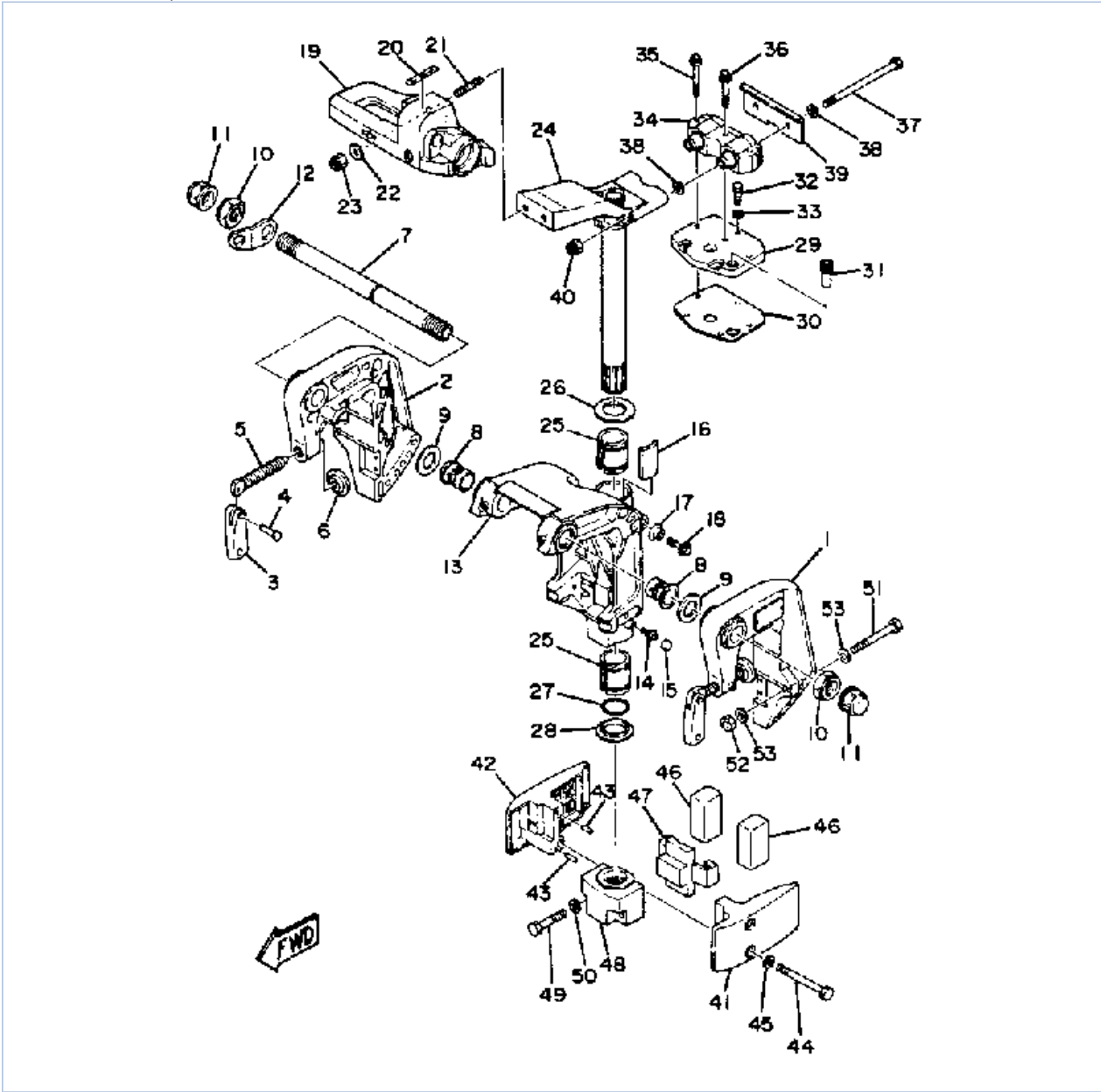
## Part Notes

25ESG 1988 / BOTTOM COWLING

PART NUMBER	NOTE TEXT
682-82556-00-00 	OEM: This part number is among the Top 100 Most Popular Marine Maintenance Parts as of March 2014.

©2014 Yamaha Motor Corporation, U.S.A. All rights reserved.

25ESG 1988 / BRACKET 1



©2014 Yamaha Motor Corporation, U.S.A. All rights reserved.

## Part List



25ESG 1988 / BRACKET 1

REF - NO	PART NUMBER	PART NAME	QUANTITY	REMARKS
1	6L2-43111-02-EK	BRACKET, CLAMP	1	
2	6L2-43112-03-EK	BRACKET, CLAMP	1	
3	616-43118-00-EK	HANDLE, TRANSOM CLIP	2	
4	90243-04M00-00	PIN	2	
5	6L2-43116-00-00	SCREW, TRANSOM CLAMP	2	
6	648-43114-01-00	PAD, TRANSOM CLAMP	2	
7	6J8-43131-01-00	BOLT, CLAMP BRACKET	1	
8	90386-22M67-00	BUSH	2	
9	90201-22428-00	WASHER, PLATE	2	
10	90185-22043-00	NUT, SELF-LOCKING	2	
11	6G5-43145-00-00	CAP, CLAMP BRACKET	2	
12	6J8-43113-01-00	PLATE, CLAMP BRACKET	1	
13	6L2-43311-09-EK	BRACKET, SWIVEL 1	1	
14	93700-06M03-00	NIPPLE, GREASE	1	
15	663-45119-00-00	CAP, GREASE NIPPLE	1	
16	6H4-42528-00-00	PLATE, FRICTION	1	
17	689-43373-01-00	SEAL, DAMPER	1	
18	90105-06M18-00	BOLT, FLANGE	1	
19	6L2-42121-00-EK	BRACKET	1	
20	6E0-44191-11-00	INDICATOR, SHIFT	1	
21	90116-10M28-00	BOLT, STUD	2	
22	92990-10600-00	WASHER, PLATE	2	
23	90185-10051-00	NUT, SELF-LOCKING	2	
24	6L2-42510-00-EK	STEERING BRACKETASSEMBLY	1	
25	90386-30M75-00	BUSH	2	
26	90201-30M00-00	WASHER, PLATE	1	
27	93210-29375-00	.O-RING	1	
28	90386-30M60-00	BUSH	1	
28	6L2-44512-00-EK	COVER, UPPER MOUNT	1	
30	6L2-45114-00-00	GASKET, UPPER CASNG	1	
31	6L2-44365-00-00	DAMPER, WATER SEAL	1	
32	97395-06020-00	BOLT, HEXAGON	3	
33	92990-06600-00	WASHER, PLATE	3	
34	6L2-44514-00-00	MOUNT DAMPER, UPPER SIDE	1	
35	97515-06250-00	BOLT, WITH WASHER	2	
36	97515-06240-00	BOLT, WITH WASHER	1	
37	90101-08M09-00	BOLT	2	
38	90201-08M01-00	.WASHER, PLATE	4	
39	6L2-44526-00-00	PLATE	1	
40	95780-08300-00	..NUT, FLANGE	2	
41	6L2-44551-00-EK	HOUSING, LWR, MOUNTLOWER MOUNT RUBBER	1	
42	6L2-44552-00-EK	HOUSING, LWR.MNT.LOWER MOUNT RUBBER	1	
43	93604-10M03-00	PIN, DOWEL	2	
44	97395-08085-00	BOLT	2	
45	92990-08600-00	..WASHER, PLATE	2	
46	6L2-44555-00-00	MOUNT DAMPER, LOWER SIDE	2	
47	6L2-44557-00-00	MOUNT DAMPER, LOWER FRONT	1	
48	6L2-44553-00-EK	COVER, LWR.MOUNT	1	
49	97395-08045-00	BOLT	2	

50	92990-08600-00	..WASHER, PLATE	2	
51	97395-08070-00	BOLT	2	
52	95380-08600-00	NUT	4	
53	92990-08600-00	..WASHER, PLATE	4	

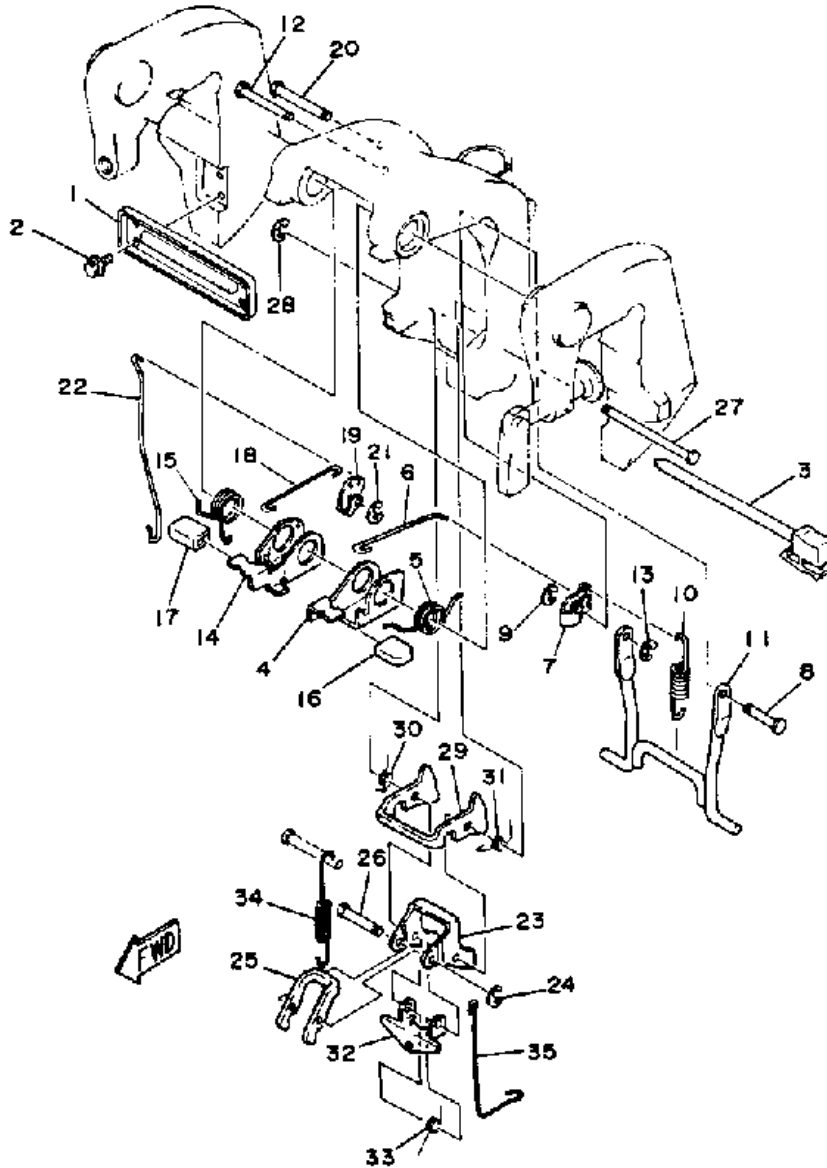
## Part Notes

25ESG 1988 / BRACKET 1

PART NUMBER		NOTE TEXT
92990-10600-00		OEM: This part number is among the Top 100 Most Popular Marine Maintenance Parts as of March 2014.
92990-06600-00		OEM: This part number is among the Top 100 Most Popular Marine Maintenance Parts as of March 2014.

©2014 Yamaha Motor Corporation, U.S.A. All rights reserved.

25ESG 1988 / BRACKET 2



©2014 Yamaha Motor Corporation, U.S.A. All rights reserved.

## Part List

25ESG 1988 / BRACKET 2

REF - NO	PART NUMBER	PART NAME	QUANTITY	REMARKS
1	6L2-43165-00-00	PLATE, TILT LOCK	1	
2	97515-06210-00	BOLT, WITH WASHER	4	
3	6L2-43160-00-00	TILT ROD ASSY	1	
4	6L2-43681-00-00	LEVER, SHALLOW WAT.	1	
5	6L2-43643-00-00	SPRING	1	
6	6L2-43616-00-00	ROD, TILT LOCK 1	1	
7	6L2-43682-00-00	LEVER, SHALLOW WATR	1	
8	6L2-43191-00-00	SHAFT, STOPPER	1	
9	99080-05600-00	CIRCLIP	1	
10	90506-20M27-00	SPRING, TENSION	1	
11	6L2-43350-00-00	RECIEVER ASSEMBLY	1	
12	6L2-43646-00-00	SHAFT, LEVER	1	
13	99080-05600-00	CIRCLIP	1	
14	6L2-43631-00-00	LEVER, TILT	1	
15	6L2-43188-00-00	SPRING	1	
16	6L2-43633-00-00	COVER, TILT LEVER	1	
17	6L2-43633-10-00	COVER, TILT LEVER	1	
18	6L2-43611-00-00	SHAFT, TILT LOCK	1	
19	6L2-43641-00-00	LEVER, TILT	1	
20	6L2-43659-00-00	SHAFT, REVERSE LOCK	1	
21	99080-05600-00	CIRCLIP	1	
22	6L2-43617-00-00	ROD, TILT LOCK	1	
23	6L2-43613-00-00	ARM, TILT LOCK	1	
24	99080-05600-00	CIRCLIP	1	
25	6L2-43624-00-00	PLATE, TILT ROCK	1	
26	6L2-43336-00-00	PIN	1	
27	6J8-43611-01-00	SHAFT, TILT LOCK	1	
28	99080-05600-00	CIRCLIP	1	
29	6L2-43614-00-00	PLATE, TILT LOCK	1	
30	90508-12M28-00	SPRING, TORSION	1	
31	90508-12M29-00	SPRING, TORSION	1	
32	6L2-43615-00-00	PLATE, TILT LOCK	1	
33	90506-23M11-00	SPRING, TENSION	1	
34	6L2-43657-00-00	SPRING, LOCK	1	
35	6L2-43676-00-00	HOOK	1	







## Part List

25ESG 1988 / STEERING

REF - NO	PART NUMBER	PART NAME	QUANTITY	REMARKS
1	6L2-W0084-00-EK	TILLER, HANDLE KIT	1	
2	6G1-42111-03-EK	HANDLE, STEERING	1	
3	90206-35M20-00	WASHER, WAVE	1	
4	90202-35M24-00	WASHER, PLATE	1	
5	90386-34M40-00	BUSH	1	
6	90386-43M55-00	BUSHING	1	
7	6G1-42131-01-00	COVER, HANDLE STEERING	1	
8	97395-06016-00	BOLT, HEX	1	
9	6G1-42125-01-00	BOLT, FRICTION ADJUSTING	1	
10	6G1-42126-00-00	FRICTION, STEERING HANDLE GRIP	1	
11	91490-16010-00	PIN. COTTER	1	
12	90202-05088-00	WASHER, PLATE	1	
13	664-42119-00-00	GRIP, STEERING HANDLE	1	
14	6G1-42177-00-00	RUBBER, HANDLE	1	
15	6L2-42137-00-00	INDICATOR, THROTTLE	1	
16	90269-02M09-00	RIVET	1	
17	90501-23215-00	SPRING, COMPRESSION	1	
18	92990-10600-00	WASHER, PLATE	1	
19	90149-05M13-00	SCREW	1	
20	90386-08032-00	BUSH	1	
21	6G1-42138-01-00	LEVER, THROTTLE	1	
22	6E0-42159-02-00	STAY	1	
23	98580-05012-00	.SCREW, PAN HEAD	2	
24	6L2-26301-00-00	THROTTLE CABLE ASSY	2	
25	6L2-44111-00-94	HANDLE, GEAR SHIFT	1	
26	90386-15M73-00	BUSH	2	
27	90206-15M18-00	WASHER, WAVE	1	
28	90202-15M37-00	WASHER, PLATE	1	
29	90386-12M72-00	BUSH	1	
30	6L2-44125-00-00	LEVER, SHIFT ROD 2	1	
31	97395-06020-00	BOLT, HEXAGON	1	
32	92990-06600-00	WASHER, PLATE	1	
33	90202-06009-00	WASHER, PLATE	2	
34	91490-20015-00	PIN. COTTER	1	
35	6L2-44124-00-00	LINK, SHIFT ROD	1	
36	6L2-26363-00-00	END, CABLE	1	
37	95380-06700-00	NUT	1	
38	90202-05088-00	WASHER, PLATE	2	
39	90202-05M38-00	WASHER, PLATE	1	
40	90468-05M03-00	CLIP	1	

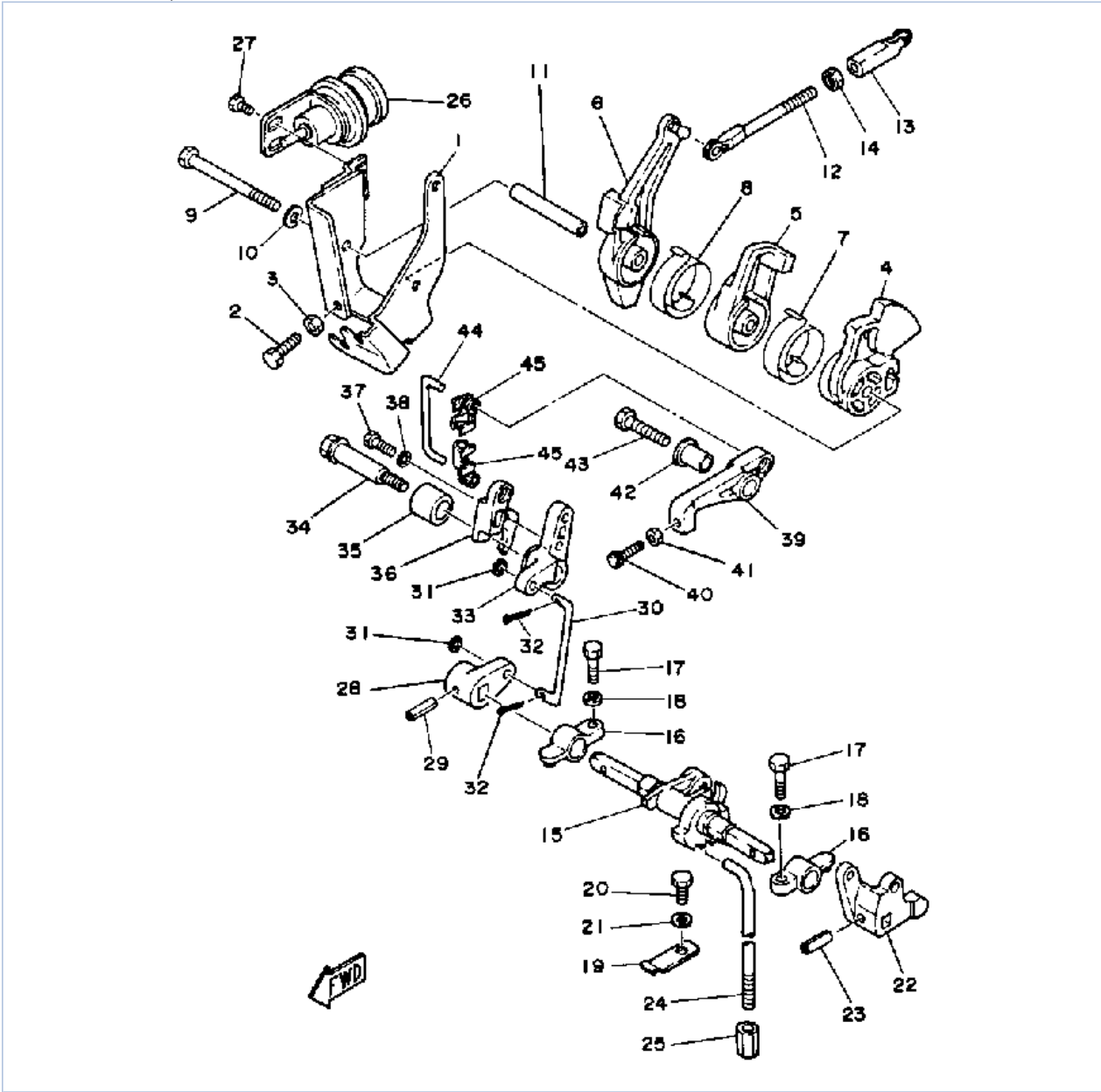
## Part Notes

25ESG 1988 / STEERING

PART NUMBER	NOTE TEXT
92990-10600-00 	OEM: This part number is among the Top 100 Most Popular Marine Maintenance Parts as of March 2014.
92990-06600-00 	OEM: This part number is among the Top 100 Most Popular Marine Maintenance Parts as of March 2014.

©2014 Yamaha Motor Corporation, U.S.A. All rights reserved.

25ESG 1988 / CONTROL ENGINE



©2014 Yamaha Motor Corporation, U.S.A. All rights reserved.



## Part List



25ESG 1988 / CONTROL ENGINE

REF - NO	PART NUMBER	PART NAME	QUANTITY	REMARKS
1	6L2-14497-00-00	STAY, THROTTLE WIRE	1	
2	97313-06020-00	BOLT, HEXAGON	1	
3	95380-06700-00	NUT	1	
4	6L2-41213-00-00	CAM, ACCEL.	1	
5	6L2-41283-00-00	LEVER, FREE ACCEL.	1	
6	6L2-41631-00-00	LEVER, MAGNETO CONTROL	1	
7	6J8-42167-00-00	SPRING 1	1	
8	6L2-42167-00-00	SPRING 1	1	
9	97313-06075-00	BOLT (6L2)	1	
10	92990-06600-00	WASHER, PLATE	1	
11	90387-06M18-00	COLLAR	1	
12	689-42169-01-00	JOINT	1	
13	6H1-41237-00-00	JOINT, LINK	1	
14	95380-05600-00	NUT	1	
15	6L2-44121-00-00	LEVER, SHIFT ROD	1	
16	6G1-41662-01-94	BRACKET 2	2	
17	97313-06020-00	BOLT, HEXAGON	2	
18	92990-06600-00	WASHER, PLATE	2	
19	6G1-44116-01-00	SPRING	1	
20	97395-06012-00	BOLT	1	
21	92990-06600-00	WASHER, PLATE	1	
22	6L2-44123-00-00	ARM, SHIFT ROD	1	
23	91690-30318-00	PIN, SPRING	1	
24	6L2-44143-00-00	ROD, SHIFT	1	
25	90170-06015-00	NUT	1	
26	6L2-14368-00-00	DIAPHRAGM ASSY 1	1	
27	97313-06008-00	BOLT, HEXAGON	2	
28	6L2-44122-00-00	BUSHING, SHIFT ROD LEVER	1	
29	91690-30318-00	PIN, SPRING	1	
30	6L2-42192-00-00	ROD 2	1	
31	90202-05088-00	WASHER, PLATE	2	
32	91490-20015-00	PIN. COTTER	2	
33	6L2-44141-01-00	LINK, SHIFT ROD	1	
34	90109-06M28-00	BOLT	1	
35	6L2-44139-00-00	COLLAR	1	
36	6L2-44141-10-94	LINK, SHIFT ROD	1	
37	97313-05016-00	BOLT, HEXAGON	1	
38	92990-05600-00	WASHER, PLATE	1	
39	6L2-44114-10-00	STOPPER	1	
40	90149-06M09-00	SCREW	1	
41	95380-06700-00	NUT	1	
42	90387-06M15-00	COLLAR	1	
43	97313-06030-00	BOLT	1	
44	6L2-42192-10-00	ROD 2	1	
45	6F5-41237-00-00	JOINT, LINK	2	

## Part Notes

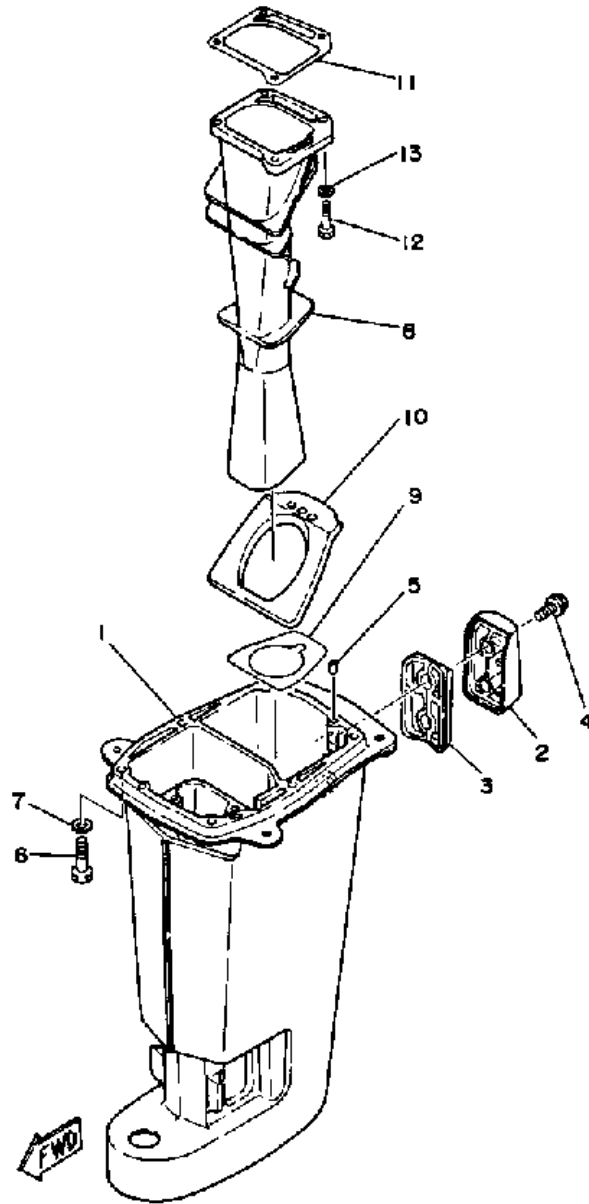
25ESG 1988 / CONTROL ENGINE

PART NUMBER		NOTE TEXT
92990-06600-00		OEM: This part number is among the Top 100 Most Popular Marine Maintenance Parts as of March 2014.
6H1-41237-00-00		OEM: This part number is among the Top 100 Most Popular Marine Maintenance Parts as of March 2014.

92990-06600-00		OEM: This part number is among the Top 100 Most Popular Marine Maintenance Parts as of March 2014.
92990-06600-00		OEM: This part number is among the Top 100 Most Popular Marine Maintenance Parts as of March 2014.

©2014 Yamaha Motor Corporation, U.S.A. All rights reserved.

25ESG 1988 / UPPER CASING



©2014 Yamaha Motor Corporation, U.S.A. All rights reserved.


## Part List

25ESG 1988 / UPPER CASING

REF - NO	PART NUMBER	PART NAME	QUANTITY	REMARKS
1	6L2-45111-01-EK	CASING, UPPER	1	UR SHORT
1	6L2-45111-11-EK	CASING, UPPER	1	UR LONG
2	(6L2-45151-00-00)	COVER, UPPER CASING	1	
3	6L2-45115-00-00	GASKET, UPPER CASING	1	
4	90159-06M11-00	SCREW, WITH WASHER	2	
5	93604-10M03-00	PIN, DOWEL	2	
6	97395-08030-00	BOLT	6	
7	92990-08600-00	..WASHER, PLATE	6	
8	(6L2-41131-00-9M)	EXHAUST MANIFOLD 1	1	
9	6L2-41134-00-00	.GASKET, EXHAUST MANIFOLD	1	
10	6L2-45123-00-00	GASKET, MUFFLER	1	
11	6L2-41133-A1-00	.GASKET, EXHAUST MANIFOLD 1	1	
12	97395-06020-00	BOLT, HEXAGON	4	
13	92990-06600-00	WASHER, PLATE	4	

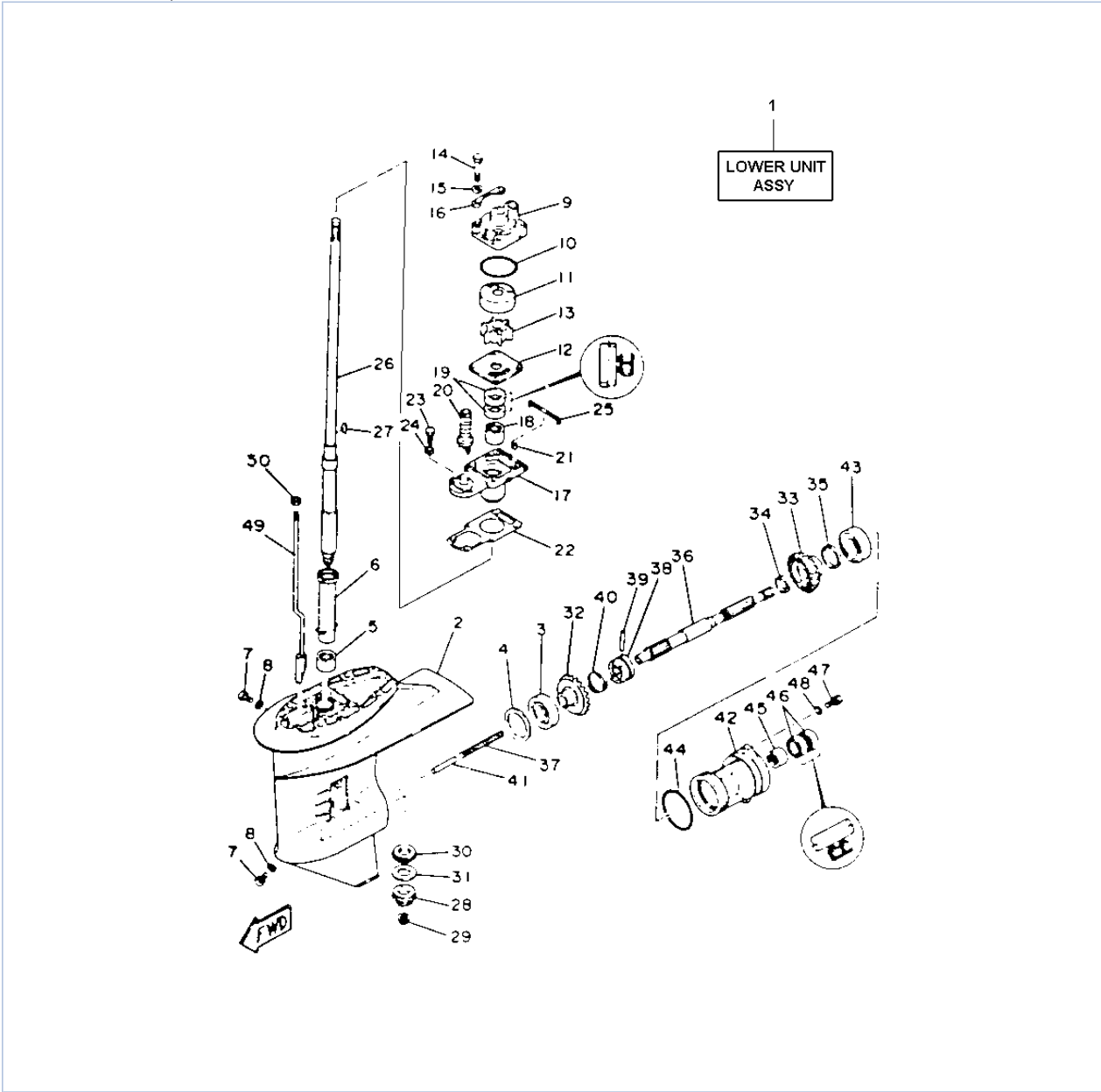
## Part Notes

25ESG 1988 / UPPER CASING

PART NUMBER	NOTE TEXT
92990-06600-00 	OEM: This part number is among the Top 100 Most Popular Marine Maintenance Parts as of March 2014.

©2014 Yamaha Motor Corporation, U.S.A. All rights reserved.

25ESG 1988 / LOWER DRIVE 1



©2014 Yamaha Motor Corporation, U.S.A. All rights reserved.



## Part List





25ESG 1988 / LOWER DRIVE 1

REF - NO	PART NUMBER	PART NAME	QUANTITY	REMARKS
1	6L2-45300-02-EK	LOWER UNIT ASSEMBLY	1	UR SHORT
1	6L2-45300-12-EK	LOWER UNIT ASSEMBLY	1	UR LONG
2	99999-02022-00	CASING, LOWER	1	
2	6L2-45311-01-EK	CASING, LOWER	1	
2	99999-02234-00	CAP, LOWER CASING	1	
3	93332-00005-00	BEARING	1	
4	6L2-45567-00-10	SHIM (T:1.0MM)	1	UR
4	6L2-45567-00-11	SHIM (T:1.1MM)	1	UR
4	6L2-45567-00-14	SHIM (T:1.4MM)	1	UR
4	6L2-45567-00-13	SHIM (T:1.3MM)	1	UR
4	6L2-45567-00-12	SHIM (T:1.2MM)	1	UR
5	93315-220V9-00	BEARING	1	
6	6L2-45536-00-00	SLEEVE, DRIVE SHAFT	1	
7	90340-08M04-00	PLUG, STRAIGHT SCREW	2	
8	90430-08020-00	.GASKET	2	
9	6L2-44311-00-00	HOUSING, WATER PUMP	1	
10	93210-45161-00	.O-RING	1	
11	6L2-44322-00-00	.INSERT, CARTRIDGE	1	
12	6L2-44323-00-00	.OUTER PLATE, CARTRIDGE	1	
13	6L2-44352-00-00	.IMPELLER	1	
14	97395-06040-00	.BOLT	4	
15	92990-06600-00	.WASHER, PLATE	4	
16	6L2-44328-00-00	PLATE	2	
17	6L2-45331-00-9M	HOUSING BEARING	1	
18	93315-22004-00	BEARING	1	
19	93101-20048-00	.OIL SEAL	2	
20	6L2-44147-00-00	BOOT, SHIFT ROD	1	
21	93604-10M03-00	PIN, DOWEL	2	
22	6L2-45315-00-00	.PACKING, LOWER CASE	1	
23	97395-06020-00	.BOLT, HEXAGON	2	
24	92990-06600-00	.WASHER, PLATE	2	
25	6L2-45375-00-00	DAMPER, SEAL	1	
26	6L2-45510-00-00	DRIVE SHAFT ASSY	1	UR SHORT
26	6L2-45510-10-00	DRIVE SHAFT ASSY	1	UR LONG
27	90280-03024-00	.KEY, WOODRUFF	1	
28	99999-01990-00	PINION (6L2-45551-00)	1	
28	6L2-45551-01-00	PINION (13T)	1	
28	93341-320U0-00	BEARING	1	
29	90179-10M14-00	NUT	1	
30	93341-220U7-00	BEARING, FLAT #41	1	
31	(6L2-45587-00-14)	SHIM (14MM)	1	UR
31	6L2-45587-00-15	SHIM (T:1.5MM)	1	UR
31	(6L2-45587-00-17)	SHIM 3	1	UR
31	6L2-45587-00-16	SHIM (T:1.6MM)	1	UR
32	6L2-45560-00-00	GEAR	1	
33	6L2-45571-00-00	GEAR 2 (27T)	1	
34	90201-20417-00	WASHER, PLATE	1	
35	6L2-45577-00-11	SHIM (T:1.1MM)	1	UR
35	6L2-45577-00-10	SHIM (T:1.0MM)	1	UR
35	6L2-45577-00-12	SHIM (T:1.2MM)	1	UR
35	6L2-45577-00-13	SHIM (T:1.3MM)	1	UR
36	6L2-45611-00-00	SHAFT, PROPELLER	1	
37	90501-10065-00	SPRING, COMPRESSION	1	

38	6L2-45631-00-00	CLUTCH, DOG	1	
39	90250-05010-00	PIN, STRAIGHT	1	
40	648-45633-00-00	RING, CROSS PIN	1	
41	648-45635-00-00	PLUNGER, SHIFT	1	
42	6L2-45361-00-EK	CAP, LOWER CASING	1	
43	93306-00612-00	BEARING	1	
44	93210-60MA3-00	.O-RING	1	
45	93315-22004-00	BEARING	1	
46	93101-20M07-00	.OIL SEAL	2	
47	97395-06020-00	.BOLT, HEXAGON	2	
48	92990-06600-00	.WASHER, PLATE	2	
49	6L2-44150-10-00	SHIFT CAM ASSY	1	UR LONG
49	6L2-44150-00-00	SHIFT CAM ASSY	1	UR SHORT
50	95380-06700-00	NUT	1	

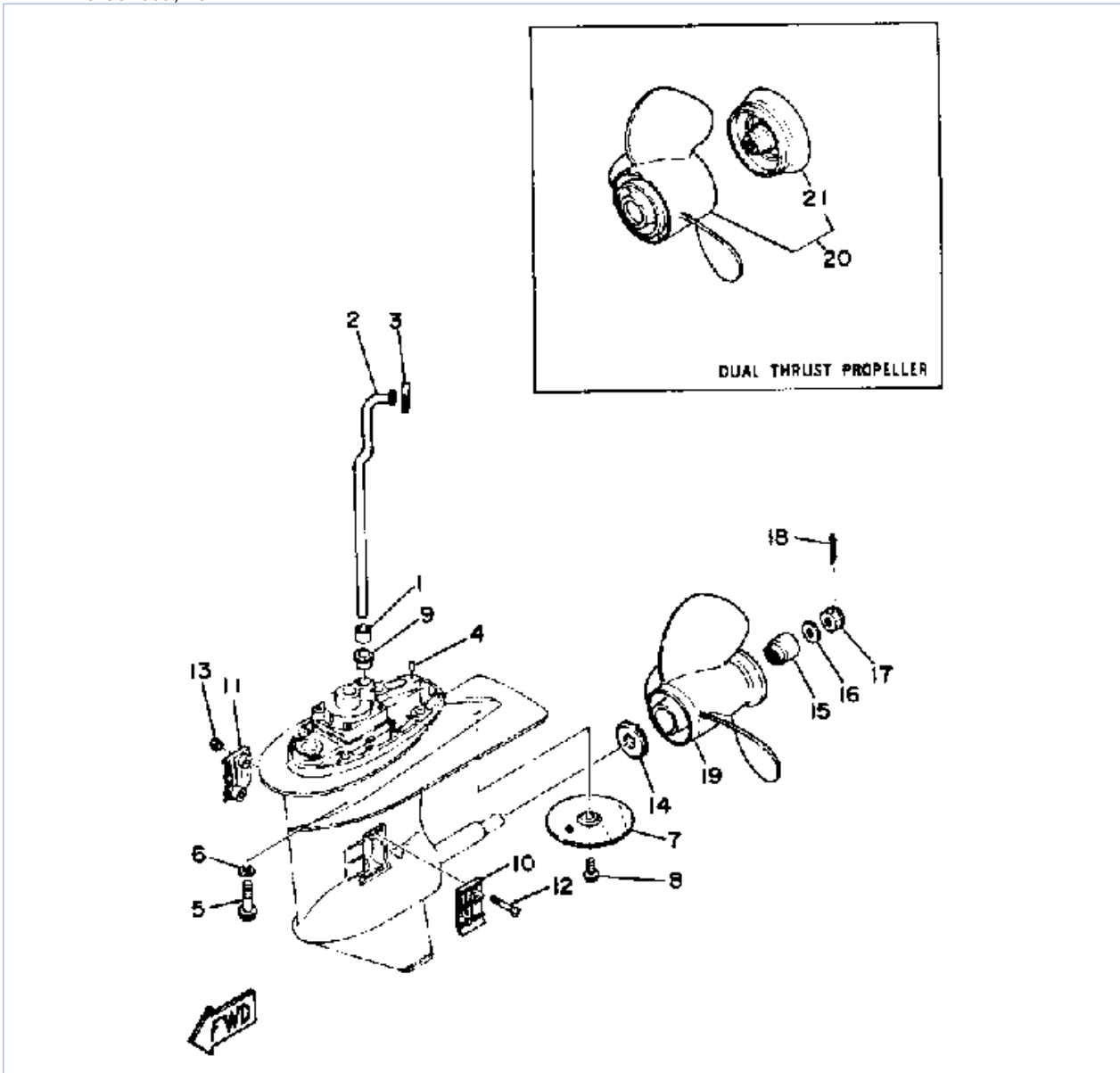
## Part Notes

25ESG 1988 / LOWER DRIVE 1

PART NUMBER		NOTE TEXT
90430-08020-00		OEM: This part number is among the Top 100 Most Popular Marine Maintenance Parts as of March 2014.
92990-06600-00		OEM: This part number is among the Top 100 Most Popular Marine Maintenance Parts as of March 2014.
92990-06600-00		OEM: This part number is among the Top 100 Most Popular Marine Maintenance Parts as of March 2014.
92990-06600-00		OEM: This part number is among the Top 100 Most Popular Marine Maintenance Parts as of March 2014.

©2014 Yamaha Motor Corporation, U.S.A. All rights reserved.

25ESG 1988 / LOWER DRIVE 2



©2014 Yamaha Motor Corporation, U.S.A. All rights reserved.


## Part List

25ESG 1988 / LOWER DRIVE 2

REF - NO	PART NUMBER	PART NAME	QUANTITY	REMARKS
1	6L2-44368-00-00	RUBBER, WATER SEAL 4	1	
2	6L2-44361-10-00	TUBE, WATER	1	UR LONG
2	6L2-44361-00-00	TUBE, WATER	1	UR SHORT
3	6L2-44366-00-00	DAMPER, WATER SEAL	1	
4	93604-10M03-00	PIN, DOWEL	2	
5	90105-10M12-00	BOLT, FLANGE	4	
6	92990-10600-00	WASHER, PLATE	4	
7	664-45371-01-00	TAB-TRIM	1	
8	90105-08M02-00	BOLT, FLANGE	1	
9	6L2-44367-00-00	.DAMPER, WATER SEAL 3	1	
10	6L2-45214-00-00	COVER, WATER INLET 1	1	
11	6L2-45215-00-00	COVER, WATER INLET 2	1	
12	98680-05030-00	SCREW, OVAL HEAD	2	
13	90185-05002-00	NUT, NYLON	2	
14	6L2-45987-01-00	SPACER 1	1	
15	689-45997-00-00	SPACER 2	1	
16	92990-14200-00	WASHER, PLAIN	1	
17	90171-14013-00	NUT, CASTLE	1	
18	91490-30030-00	PIN, COTTER	1	
19	664-45972-00-98	PROPELLER (3X9-1/8"X12"-F)	1	UR
19	664-45970-00-98	PROPELLER (3X9-1/8"X13"-F)	1	UR
19	664-45952-00-EL	PROPELLER (3X9-7/8"X14"-F)	1	UR
19	664-45949-02-EL	PROPELLER (3X9-7/8"X13"-F)	1	UR
19	664-45943-01-EL	PROPELLER (3X9-7/8"X8"-F)	1	UR
19	664-45945-00-EL	PROPELLER (3X9-7/8"X10-1/2"-F)	1	UR
19	664-45947-01-EL	PROPELLER (3X9-7/8"X11-1/4"-F)	1	UR
20	6J8-W4591-00-EL	PROPELLER (3X10-5/8X8-1/4-F)	1	UR
21	6J8-45986-10-98	.RING, DEFLECTOR	1	

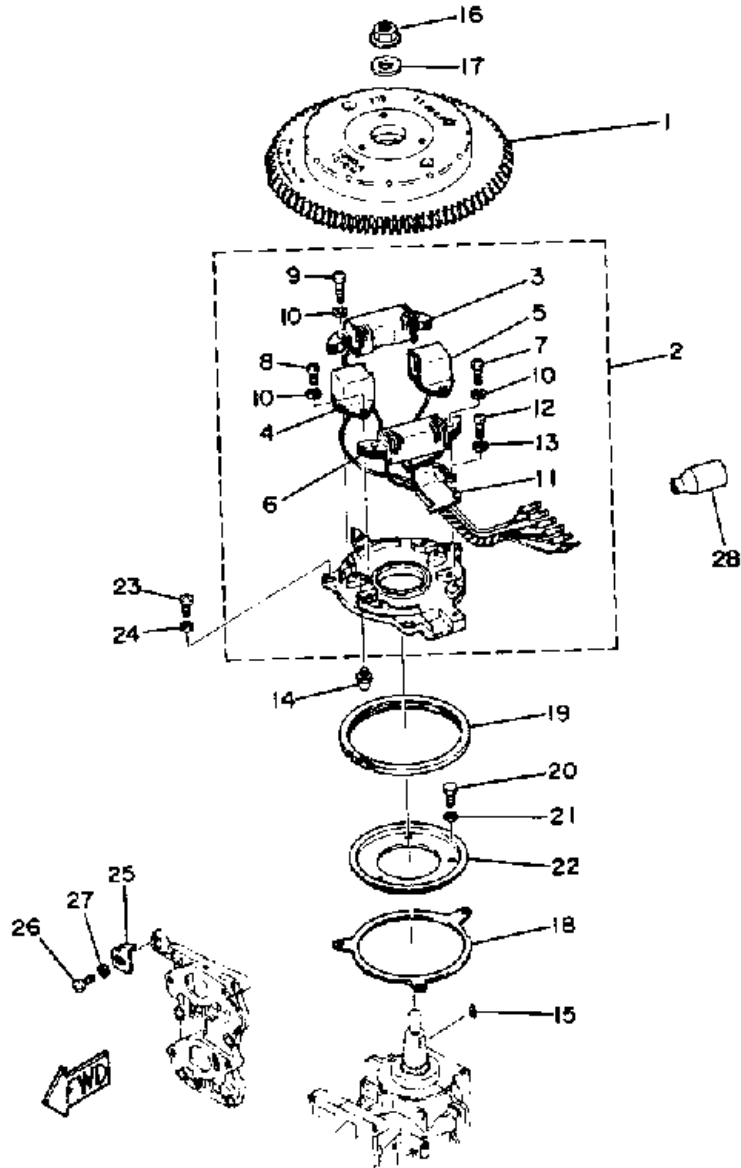
## Part Notes

25ESG 1988 / LOWER DRIVE 2

PART NUMBER	NOTE TEXT
92990-10600-00 	OEM: This part number is among the Top 100 Most Popular Marine Maintenance Parts as of March 2014.

©2014 Yamaha Motor Corporation, U.S.A. All rights reserved.

25ESG 1988 / MAGNETO



©2014 Yamaha Motor Corporation, U.S.A. All rights reserved.


## Part List

25ESG 1988 / MAGNETO

REF - NO	PART NUMBER	PART NAME	QUANTITY	REMARKS
1	6L2-85550-A0-00	ROTOR ASSEMBLY	1	
2	6L2-85560-F1-00	BASE ASSEMBLY.	1	
3	6L2-85520-F0-00	.COIL, CHARGE	1	
4	6L2-85592-F1-00	.PULSER COIL ASSEMBLY	1	
5	6L2-85595-F1-00	.COIL, PULSER	1	
6	6L2-85533-F0-00	.COIL, LIGHTING	1	
7	98580-05020-00	.SCREW, PAN HEAD	2	
8	98580-05010-00	.SCREW, PAN HEAD	4	
9	98503-05025-00	.SCREW, PAN HEAD	2	
10	92990-05100-00	.WASHER, SPRING	8	
11	6G1-85548-70-00	.HOLDER	1	
12	98580-04008-00	.SCREW, PAN HEAD	1	
13	92901-04100-00	.WASHER, SPRING	1	
14	663-85518-00-00	JOINT, BALL	1	
15	90280-16053-00	KEY, WOODRUFF	1	
16	90179-12M04-00	NUT	1	
17	90201-13M42-00	WASHER, PLATE	1	
18	6G1-41611-00-00	RETAINER, MAGNETO BASE	1	
19	695-41613-00-00	PLATE, BASE FRICTION	1	
20	97013-06012-00	BOLT	3	
21	92990-06600-00	WASHER, PLATE	3	
22	6G1-41612-00-00	RETAINER, MAGNETO BASE	1	
23	98580-05010-00	.SCREW, PAN HEAD	3	
24	92990-05600-00	WASHER, PLATE	3	
25	6J8-81332-00-00	PLATE, TIMING	1	
26	98580-05010-00	.SCREW, PAN HEAD	1	
27	92990-05600-00	WASHER, PLATE	1	
28	6L2-82599-00-00	COVER, CONNECTOR	1	

## Part Notes

25ESG 1988 / MAGNETO

PART NUMBER	NOTE TEXT
92990-06600-00 	OEM: This part number is among the Top 100 Most Popular Marine Maintenance Parts as of March 2014.

©2014 Yamaha Motor Corporation, U.S.A. All rights reserved.



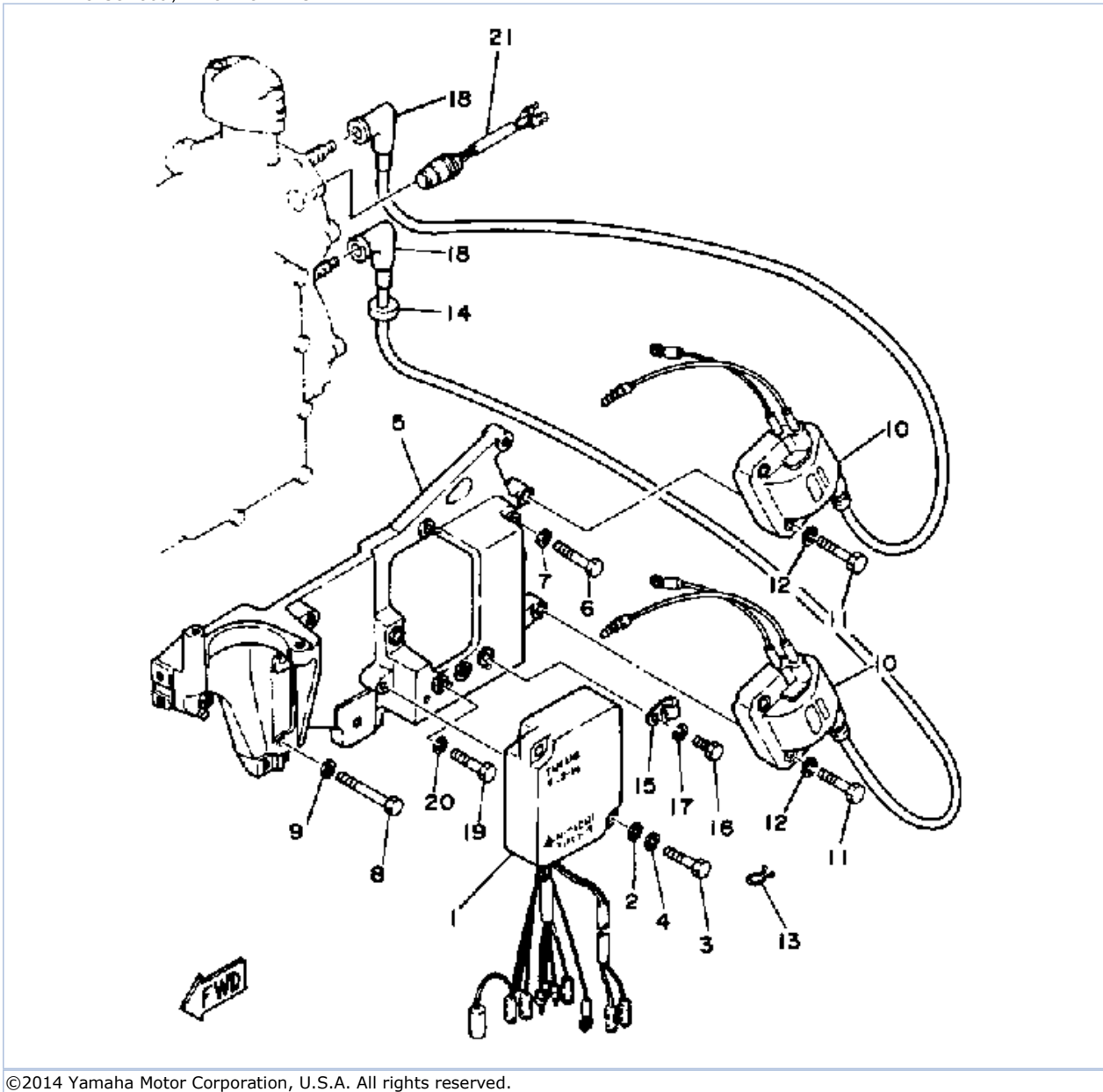
## Part List

25ESG 1988 / STARTING MOTOR

REF - NO	PART NUMBER	PART NAME	QUANTITY	REMARKS
1	6L2-81800-11-00	STARTING MOTOR ASSEMBLY	1	
2	6L2-81850-11-00	.ARMATURE ASSEMBLY	1	
3	682-81809-10-00	.WASHER KIT	1	
4	6L2-81833-10-00	.RING, STOP	1	
5	682-81810-11-00	.STATOR ASSY	1	
6	6L2-81820-10-00	.REAR BRACKET ASSEMBLY	1	
7	6L2-81840-10-00	..BRUSH HOLDER ASSEMBLY	1	
8	682-81813-10-00	..SPRING, BRUSH	2	
9	6L2-81811-10-00	..BRUSH 1	1	
10	6L2-81812-10-00	..BRUSH 2	1	
11	682-81832-10-00	.PINION ASSY	1	
12	682-81830-10-00	.FRONT COVER ASSY	1	
13	682-81826-10-00	.BOLT	2	
14	682-81847-10-00	.O-RING	2	
15	682-81834-10-00	.RING	1	
16	97013-08025-00	BOLT	2	
17	92990-08600-00	..WASHER, PLATE	2	



25ESG 1988 / ELECTRIC PARTS 1



©2014 Yamaha Motor Corporation, U.S.A. All rights reserved.



## Part List

25ESG 1988 / ELECTRIC PARTS 1

REF - NO	PART NUMBER	PART NAME	QUANTITY	REMARKS
1	6L2-85540-10-00	CDI UNIT ASSEMBLY	1	
2	92990-06200-00	WASHER, PLAIN	2	
3	97313-06030-00	BOLT	2	
4	92995-06100-00	WASHER, SPRING	2	
5	6L2-85542-01-94	BRACKET	1	
6	97313-06030-00	BOLT	3	
7	92990-06600-00	WASHER, PLATE	2	
8	90101-06M16-00	BOLT	2	
9	92990-06600-00	WASHER, PLATE	2	
10	6L2-85570-10-00	IGNITION COIL ASSEMBLY	2	
11	97313-06030-00	BOLT	4	
12	92995-06100-00	WASHER, SPRING	4	
13	90465-18147-00	CLAMP	1	
14	90480-25161-00	GROMMET	1	
15	90465-08028-00	CLAMP	1	
16	97013-06012-00	BOLT	1	
17	92995-06100-00	WASHER, SPRING	1	
18	663-82370-01-00	PLUG CAP ASSY	2	
19	97013-06012-00	BOLT	2	
20	92995-06100-00	WASHER, SPRING	2	
21	689-82560-00-00	THERMO SWITCH ASSEMBLY	1	

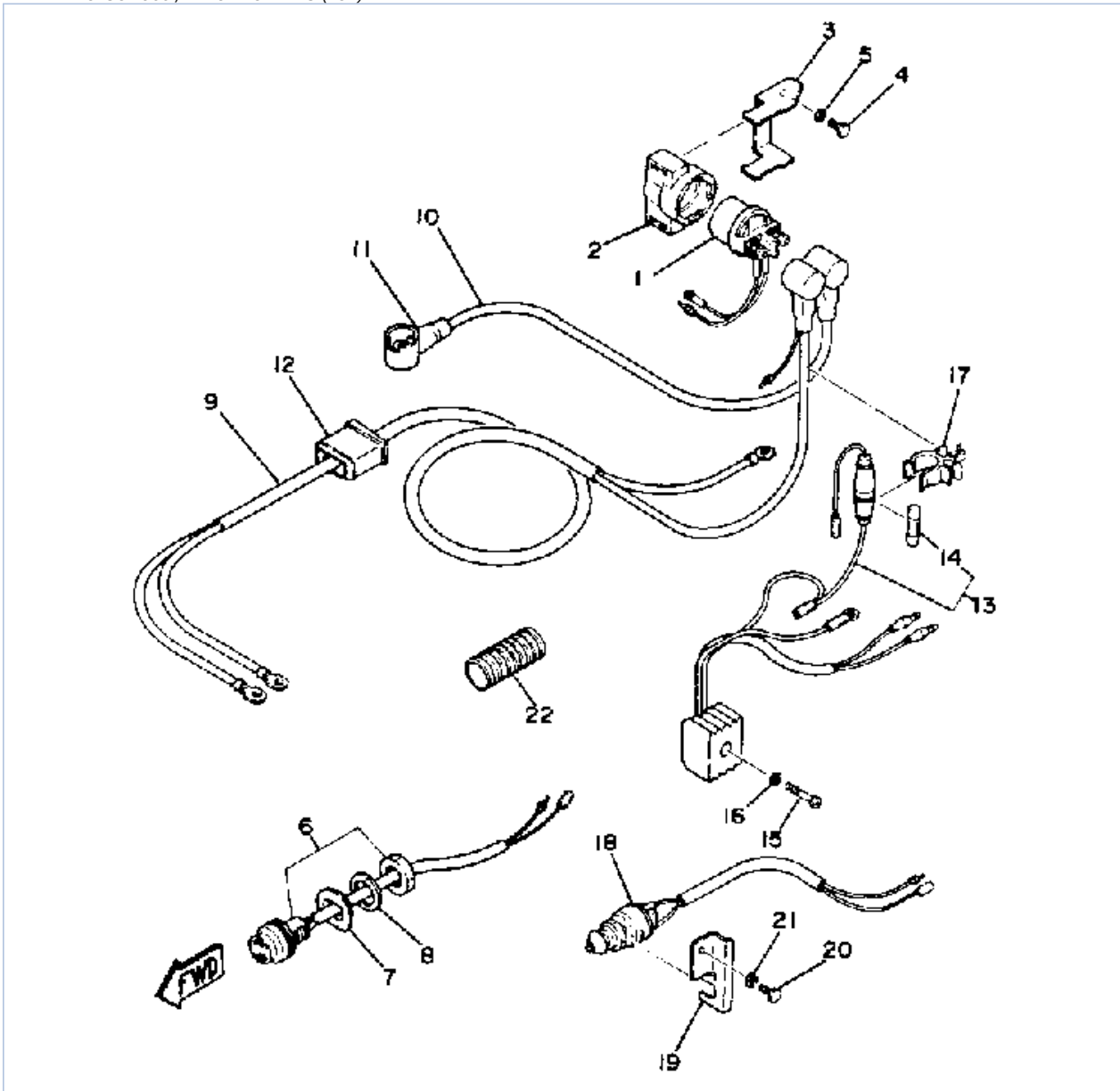
## Part Notes

25ESG 1988 / ELECTRIC PARTS 1

PART NUMBER		NOTE TEXT
92990-06600-00		OEM: This part number is among the Top 100 Most Popular Marine Maintenance Parts as of March 2014.
92990-06600-00		OEM: This part number is among the Top 100 Most Popular Marine Maintenance Parts as of March 2014.

©2014 Yamaha Motor Corporation, U.S.A. All rights reserved.

25ESG 1988 / ELECTRIC PARTS (25E)



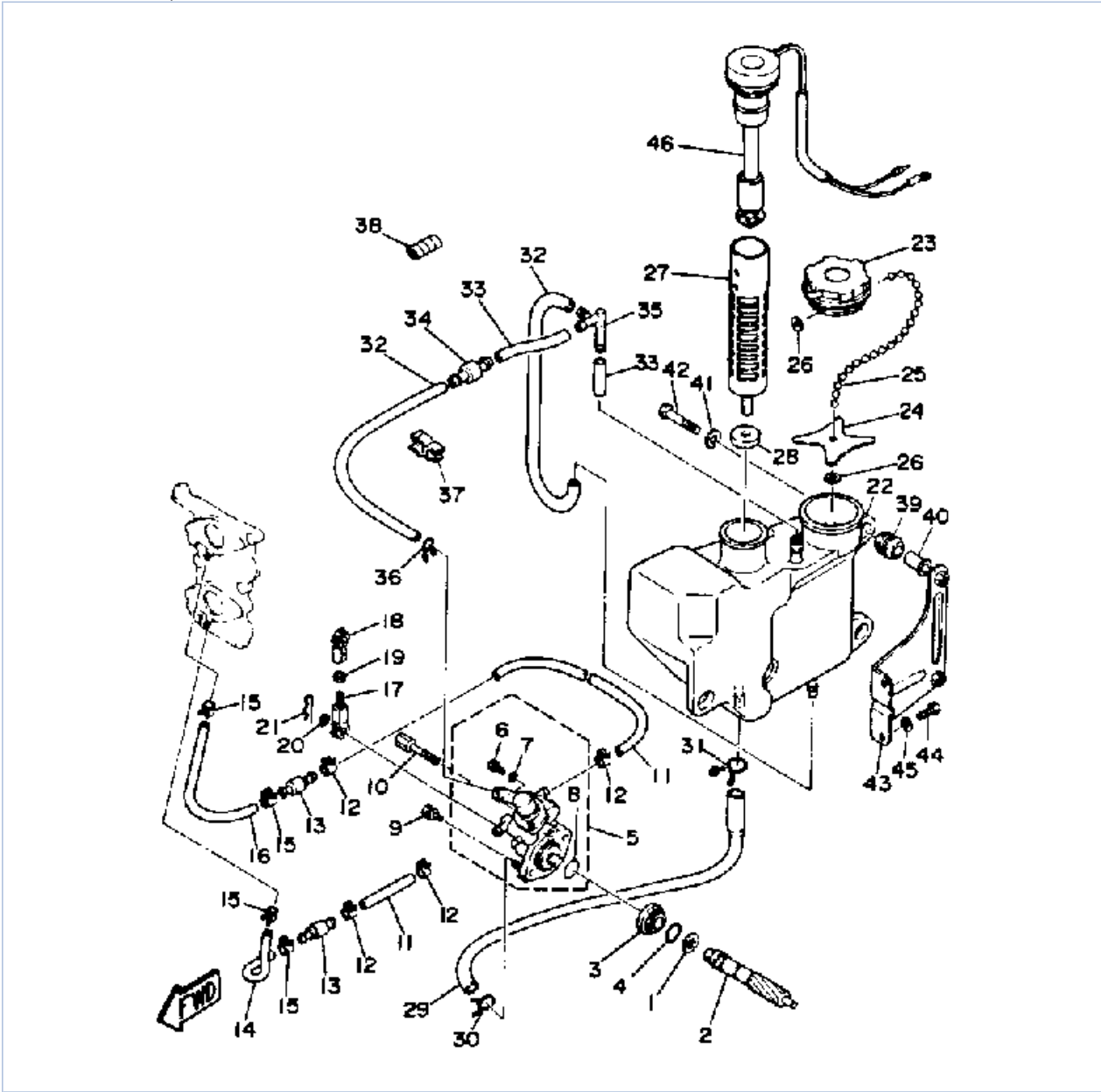
©2014 Yamaha Motor Corporation, U.S.A. All rights reserved.

## Part List

25ESG 1988 / ELECTRIC PARTS (25E)

REF - NO	PART NUMBER	PART NAME	QUANTITY	REMARKS
1	6G1-81941-10-00	STARTER RELAY ASSY	1	
2	6G1-81952-00-00	HOLDER, RELAY	1	
3	6L2-81945-00-00	PLATE, SWITCH FITTING	1	
4	97013-06012-00	BOLT	1	
5	92995-06100-00	WASHER, SPRING	1	
6	689-81870-00-00	STARTING SWITCH ASSY	1	
7	6L2-84387-00-00	HOLDER	1	
8	90202-17M35-00	WASHER, PLATE	1	
9	6G1-82105-00-00	BATTERY CABLE	1	
10	6G1-82117-00-00	WIRE, LEAD	1	
11	6G1-82119-00-00	COVER, LEAD WIRE	1	
12	6L2-42725-40-00	GROMMET	1	
13	6G1-81970-61-00	RECTIFIER ASSY	1	
14	6G1-82151-00-00	.FUSE (10A)	1	
15	98503-05025-00	SCREW, PAN HEAD	1	
16	92990-05600-00	WASHER, PLATE	1	
17	6G5-82152-00-00	HOLDER, FUSE	1	
18	6H3-82540-00-00	NEUTRAL SWITCH ASSY	1	
19	6L2-82554-00-00	STAY, NEUTRAL SWITCH	1	
20	97013-06012-00	BOLT	1	
21	92995-06100-00	WASHER, SPRING	1	
22	6K3-83557-00-00	TUBE	1	

25ESG 1988 / OIL PUMP



©2014 Yamaha Motor Corporation, U.S.A. All rights reserved.


## Part List

25ESG 1988 / OIL PUMP

REF - NO	PART NUMBER	PART NAME	QUANTITY	REMARKS
1	90201-08M93-00	WASHER, PLATE	1	
2	6L2-11537-00-00	GEAR, DRIVEN	1	
3	6J8-13117-00-00	COLLAR, DISTANCE	1	
4	93210-13595-00	O-RING	1	
5	6L2-13200-00-00	OIL INJECTION PUMP ASSEMBLY	1	
6	6L2-13471-00-00	.PLUG, DRAIN	1	
7	1YU-13187-00-00	.GASKET, BREATHER BOLT	1	
8	93210-19M82-00	.O-RING	1	
9	97513-05218-00	BOLT, WITH WASHER	1	
10	90109-05M33-00	BOLT	1	
11	90445-07M32-00	HOSE (L120)	2	
12	90468-07M02-00	CLIP	4	
13	6E9-13183-70-00	VALVE, CHECK	2	
14	90445-07M04-00	HOSE (L50)	1	
15	90468-07M02-00	CLIP	4	
16	90445-07M16-00	HOSE	1	
17	682-41237-50-00	JOINT, LINK	1	
18	6H1-41237-00-00	JOINT, LINK	1	
19	95303-05700-00	.NUT	1	
20	90202-05088-00	WASHER, PLATE	1	
21	90468-05M03-00	CLIP	1	
22	6L2-21707-01-00	OIL TANK COMP.	1	
23	6H4-21770-00-00	OIL TANK CAP ASSY	1	
24	6L2-21758-00-00	WASHER, SPECIAL 2	1	
25	6H1-24633-00-00	CHAIN, BALL	1	
26	6H1-21757-00-00	WASHER, SPECIAL 1	2	
27	6J8-13411-00-00	STRAINER, OIL	1	
28	6J8-13414-00-00	GASKET, STRAINER COVER	1	
29	6L2-13416-00-00	PIPE, OIL 1	1	
30	90467-08004-00	CLIP	1	
31	90467-11M08-00	CLIP	1	
32	90445-11M03-00	HOSE (L330)	2	
33	90445-11M07-00	HOSE (L30)	2	
34	6J8-21744-00-00	BREATHER	1	
35	6E5-24376-10-00	PIPE, JOINT 1	1	
36	90467-10M04-00	CLIP	1	
37	90464-11M24-00	CLAMP	1	
38	90446-10M02-00	HOSE	1	
39	6A0-82317-00-00	DAMPER, IGNITION COIL	3	
40	624-42542-00-00	PIPE	3	
41	90201-06050-00	WASHER, PLATE	3	
42	97313-06030-00	BOLT	3	
43	6L2-21798-00-00	BRACKET, DAMPER	1	
44	97313-06016-00	BOLT, HEXAGON	2	
45	92990-06600-00	WASHER, PLATE	2	
46	6L2-85720-00-00	OIL LVL GAUGE ASSEMBLY	1	

## Part Notes

25ESG 1988 / OIL PUMP

PART NUMBER	NOTE TEXT
6H1-41237-00-00 	OEM: This part number is among the Top 100 Most Popular Marine Maintenance Parts as of March 2014.

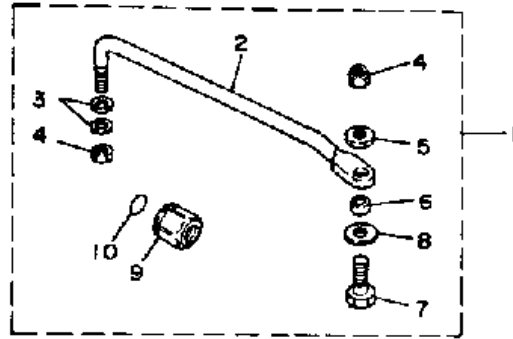
92990-06600-00



OEM: This part number is among the Top 100 Most Popular Marine Maintenance Parts as of March 2014.

©2014 Yamaha Motor Corporation, U.S.A. All rights reserved.

25ESG 1988 / STEERING GUIDE ATTACHMENT



©2014 Yamaha Motor Corporation, U.S.A. All rights reserved.

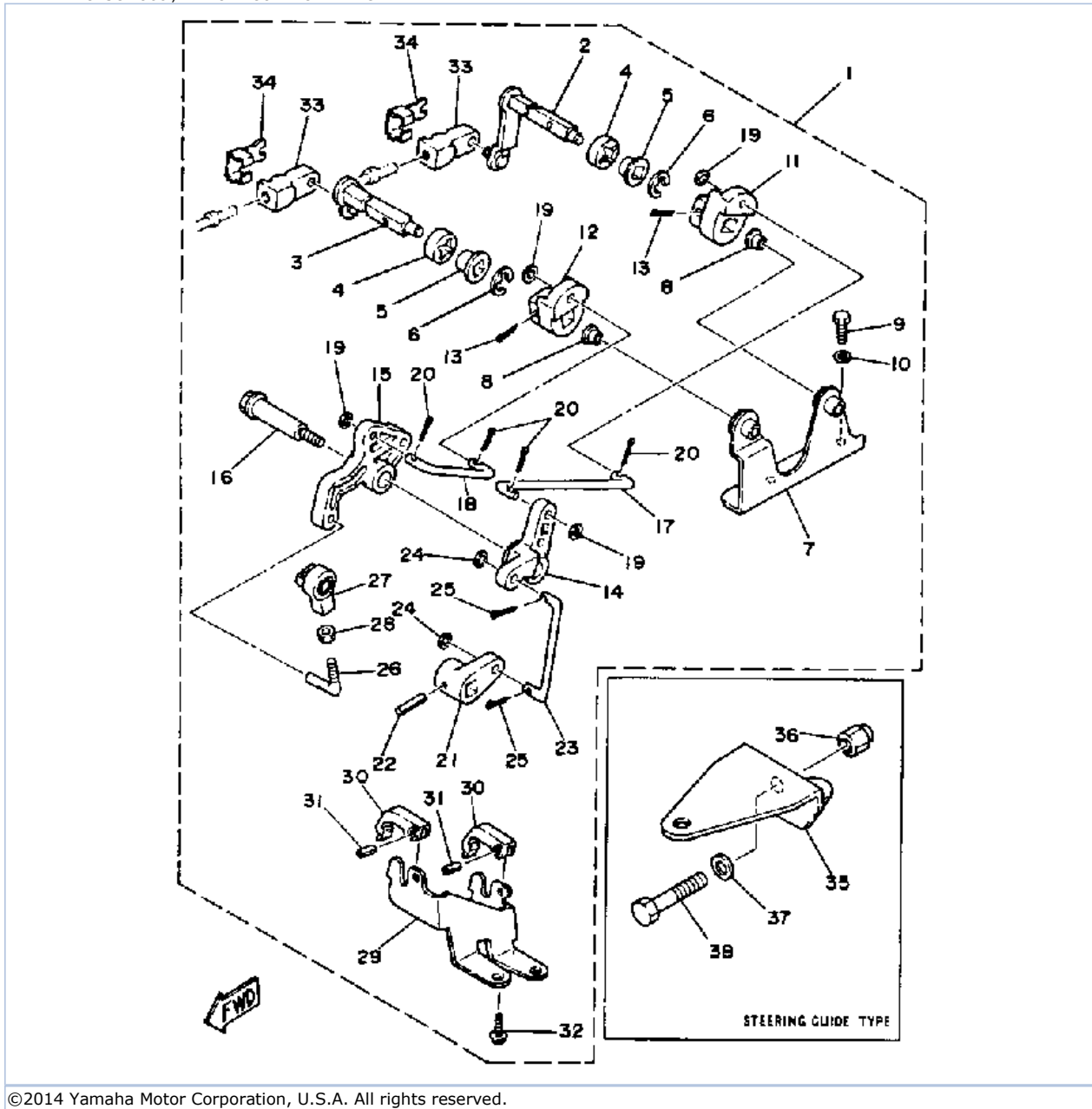


## Part List

25ESG 1988 / STEERING GUIDE ATTACHMENT

REF - NO	PART NUMBER	PART NAME	QUANTITY	REMARKS
1	689-61350-02-00	STEERING GUIDE ATTACHMENT KIT	1	
2	689-61351-01-00	.ROD, STEERING LINK	1	
3	90201-10M20-00	..WASHER, PLATE	2	
4	90185-09M01-00	..NUT, SELF-LOCKING	2	
5	90170-09M03-00	..NUT	1	
6	90387-10M42-00	..COLLAR	1	
7	6E5-61355-00-00	..BOLT	1	
8	90201-10M63-00	..WASHER, PLATE	1	
9	6E5-43145-00-00	.CAP, CLAMP BRACKET	1	
10	93210-16716-00	.O-RING	1	

25ESG 1988 / REMOTE CONTROL ATTACHMENT



©2014 Yamaha Motor Corporation, U.S.A. All rights reserved.



## Part List

25ESG 1988 / REMOTE CONTROL ATTACHMENT

REF - NO	PART NUMBER	PART NAME	QUANTITY	REMARKS
1	6L2-48501-10-00	REMOTE ATT.KIT 25G	1	
2	6L2-48544-00-00	.LEVER, SHIFT CONTRL	1	
3	6L2-48534-00-00	.THROTTLE LEVR, CNTL	1	
4	6L2-44177-00-00	.WASHER	2	
5	682-44132-00-00	.BUSHING	2	
6	99080-07600-00	.CLIP	2	
7	6L2-48532-00-00	.BRACKET, REMOTE CON	1	
8	90386-06M12-00	.BUSH	2	
9	97313-06016-00	.BOLT, HEXAGON	2	
10	92990-06600-00	.WASHER, PLATE	2	
11	6L2-44173-00-00	.LEVER, SHIFT CONTR	1	
12	6L2-42154-00-00	.LEVER, THROTTLE CON	1	
13	91490-25030-00	.PIN COTTER	2	
14	6L2-44141-01-00	.LINK, SHIFT ROD	1	
15	6L2-41212-00-00	.ARM, ACCEL	1	
16	90109-06M28-00	.BOLT	1	
17	6L2-42191-00-00	.ROD 1	1	
18	6L2-42192-00-00	.ROD 2	1	
19	90202-05088-00	.WASHER, PLATE	4	
20	91490-20015-00	.PIN COTTER	4	
21	6L2-44122-00-00	.BUSHING, SHIFT ROD LEVER	1	
22	91690-30318-00	.PIN, SPRING	1	
23	6L2-42192-00-00	.ROD 2	1	
24	90202-05088-00	.WASHER, PLATE	2	
25	91490-20015-00	.PIN COTTER	2	
26	6L2-41238-00-00	.JOINT, LINK	1	
27	6L2-41237-00-00	.JOINT, LINK	1	
28	95303-05700-00	.NUT	1	
29	6L2-48531-00-00	.BRACKET, REMOTE CONTROL 1	1	
30	682-48538-50-00	.CLAMP, CABLE 1	2	
31	91690-30012-00	.PIN, SPRING	2	
32	90105-06M23-00	.BOLT FLANGE	2	
33	6G8-26363-00-00	.END, WIRE 1	2	
34	6G8-26364-00-00	.END, CABLE	2	
35	689-48511-01-00	HOOK, STEERING	1	STEERING
36	90185-10051-00	NUT, SELF-LOCKING	1	
37	92990-10600-00	WASHER, PLATE	1	
38	97395-10040-00	BOLT	1	

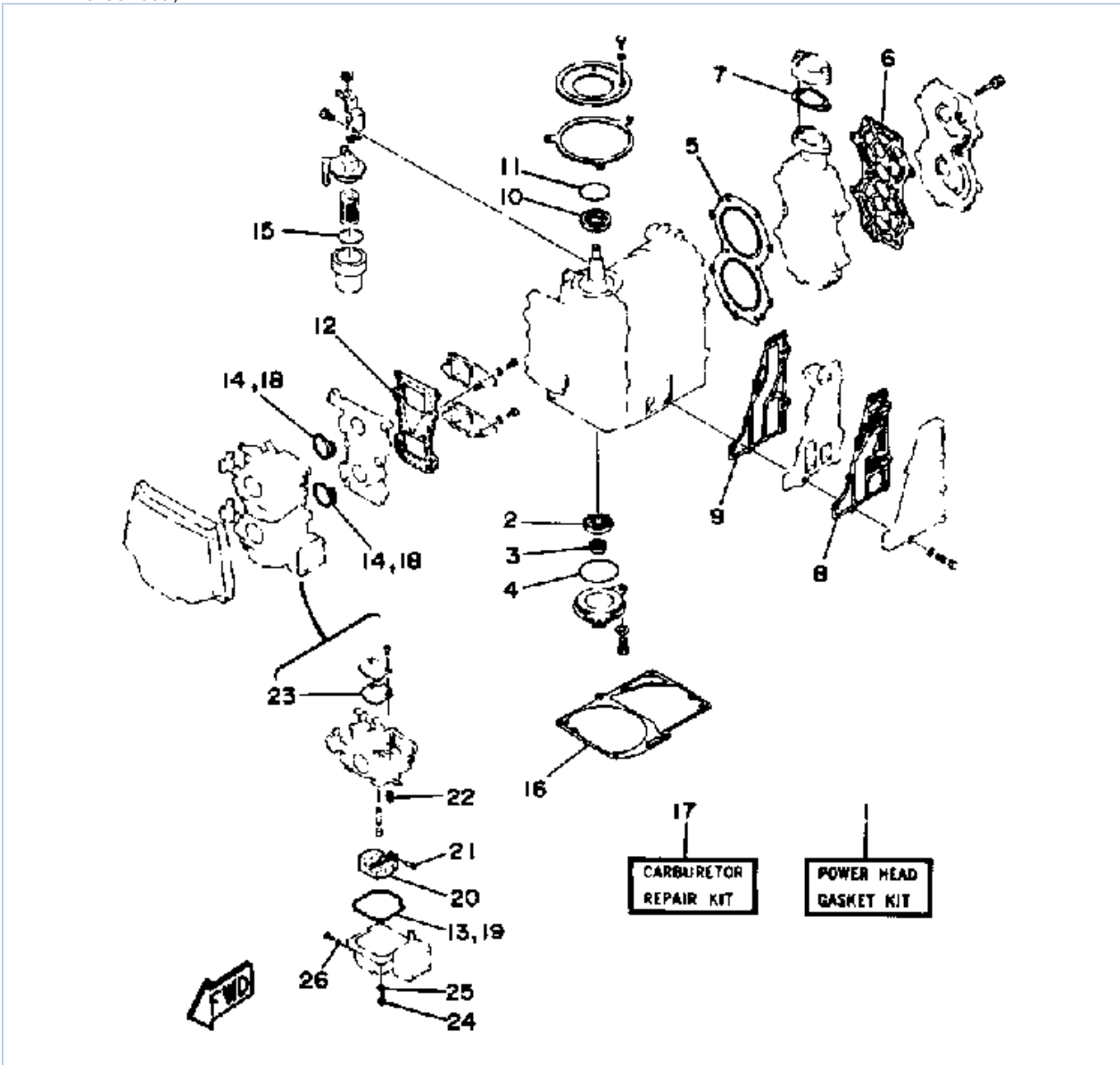
## Part Notes

25ESG 1988 / REMOTE CONTROL ATTACHMENT

PART NUMBER	NOTE TEXT
92990-06600-00 	OEM: This part number is among the Top 100 Most Popular Marine Maintenance Parts as of March 2014.
92990-10600-00 	OEM: This part number is among the Top 100 Most Popular Marine Maintenance Parts as of March 2014.

©2014 Yamaha Motor Corporation, U.S.A. All rights reserved.

25ESG 1988 / REPAIR KIT 1



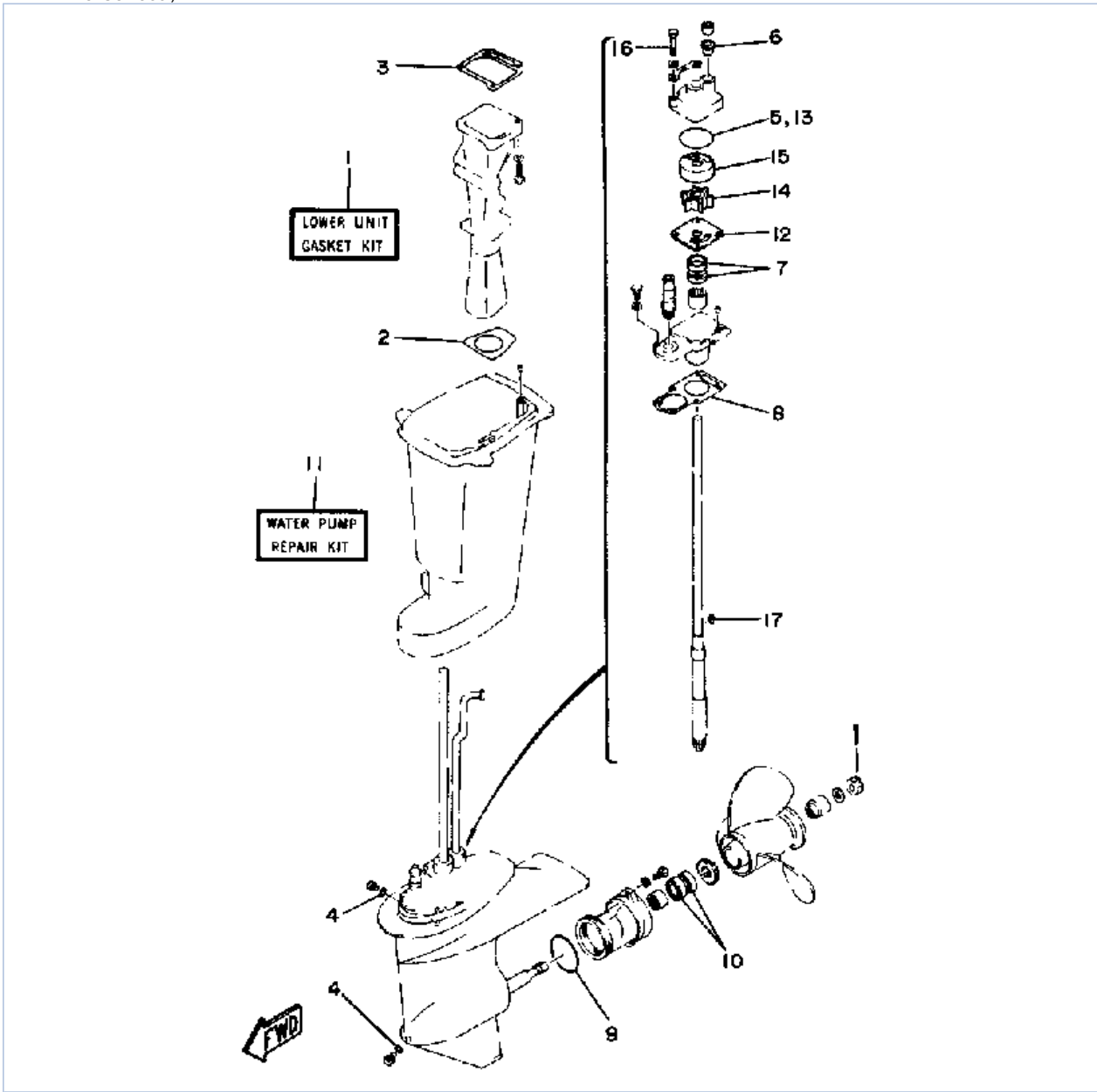
©2014 Yamaha Motor Corporation, U.S.A. All rights reserved.

## Part List

25ESG 1988 / REPAIR KIT 1

REF - NO	PART NUMBER	PART NAME	QUANTITY	REMARKS
1	6L2-W0001-02-00	GASKET KIT PWR HD.	1	
2	93102-25142-00	.OIL SEAL	1	
3	93101-13M37-00	.OIL SEAL	1	
4	93210-56M80-00	.O-RING	1	
5	6L2-11181-A1-00	.GASKET, CYLINDER HEAD 1	1	
6	6L2-11193-A1-00	.GASKET, HEAD COVER 1	1	
7	6J8-12414-A0-00	.GASKET, COVER	1	
8	6L2-41114-00-00	.GASKET, EXHCOVER	1	
9	6L2-41112-00-00	.GASKET EXHAUST	1	
10	93012-26M27-00	.UNAVAILABLE IN PRICE BOOK	1	
11	93210-42159-00	.O-RING	1	
12	6L2-13621-00-00	.GASKET, VALVE SEAT	1	
13	6L2-14384-00-00	.GASKET, FLOAT CHAMBER	2	
14	6L2-14198-00-00	.GASKET	2	
15	93210-37M25-00	.O-RING	1	
16	6L2-45113-A1-00	.GASKET, UPPER CASING	1	
17	6L2-W0093-00-00	CARBURETOR REPAIR KIT	1	
18	6L2-14198-00-00	.GASKET	2	
19	6L2-14384-00-00	.GASKET, FLOAT CHAMBER	2	
20	6L2-14385-00-00	.FLOAT	2	
21	6E5-14386-01-00	.PIN, FLOAT	2	
22	6L2-14392-00-00	.VALVE	2	
23	6L2-14399-00-00	.GASKET	2	
24	98511-04012-00	.SCREW, PAN HEAD	2	
25	92901-04100-00	.WASHER, SPRING	2	
26	6L2-14398-00-00	.GASKET	2	

25ESG 1988 / REPAIR KIT 2



©2014 Yamaha Motor Corporation, U.S.A. All rights reserved.


## Part List

25ESG 1988 / REPAIR KIT 2

REF - NO	PART NUMBER	PART NAME	QUANTITY	REMARKS
1	6L2-W0001-23-00	LOWER UNIT GASKET KIT	1	
2	6L2-41134-00-00	.GASKET, EXHAUST MANIFOLD	1	
3	6L2-41133-A1-00	.GASKET, EXHAUST MANIFOLD 1	1	
4	90430-08020-00	.GASKET	2	
5	93210-37M67-00	.O-RING	1	
6	6L2-44367-00-00	.DAMPER, WATER SEAL 3	1	
7	93101-20048-00	.OIL SEAL	2	
8	6L2-45315-00-00	.PACKING, LOWER CASE	1	
9	93210-60MA3-00	.O-RING	1	
10	93101-20M07-00	.OIL SEAL	2	
11	6L2-W0078-00-00	WATER PUMP REPAIR KIT	1	
12	6L2-44323-00-00	.OUTER PLATE, CARTRIDGE	1	
13	93210-37M67-00	.O-RING	1	
14	6L2-44352-00-00	.IMPELLER	1	
15	6L2-44322-00-00	.INSERT, CARTRIDGE	1	
16	97395-06040-00	.BOLT	4	
17	90280-03024-00	.KEY, WOODRUFF	1	

## Part Notes

25ESG 1988 / REPAIR KIT 2

PART NUMBER	NOTE TEXT
90430-08020-00 	OEM: This part number is among the Top 100 Most Popular Marine Maintenance Parts as of March 2014.

©2014 Yamaha Motor Corporation, U.S.A. All rights reserved.

©2014 Yamaha Motor Corporation, U.S.A. All rights reserved.