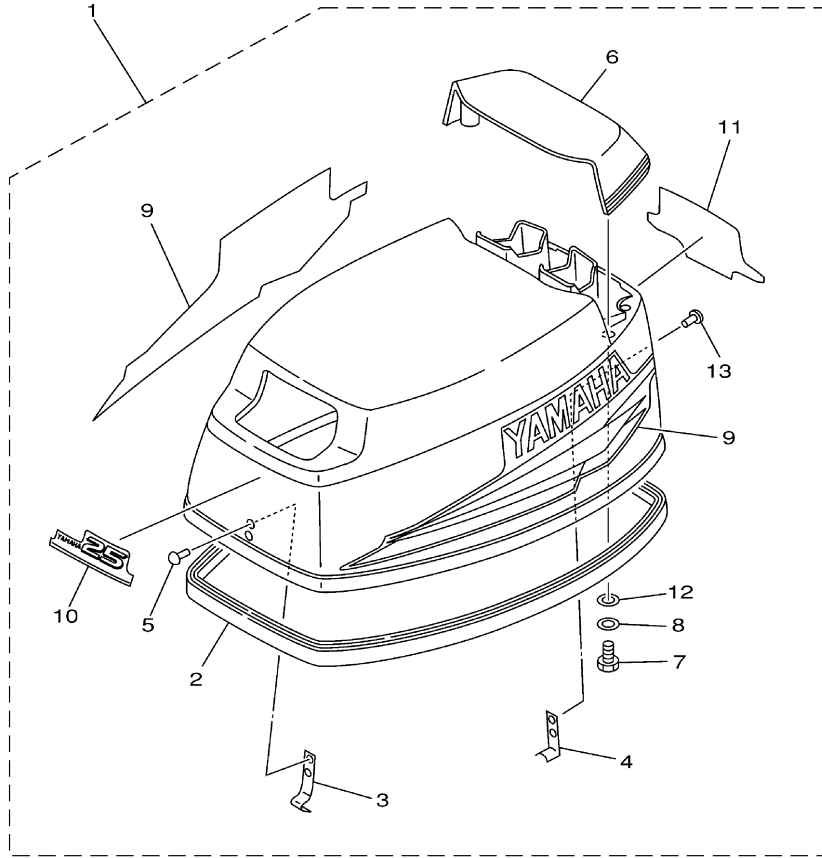


25MSHZ 2001 / TOP COWLING



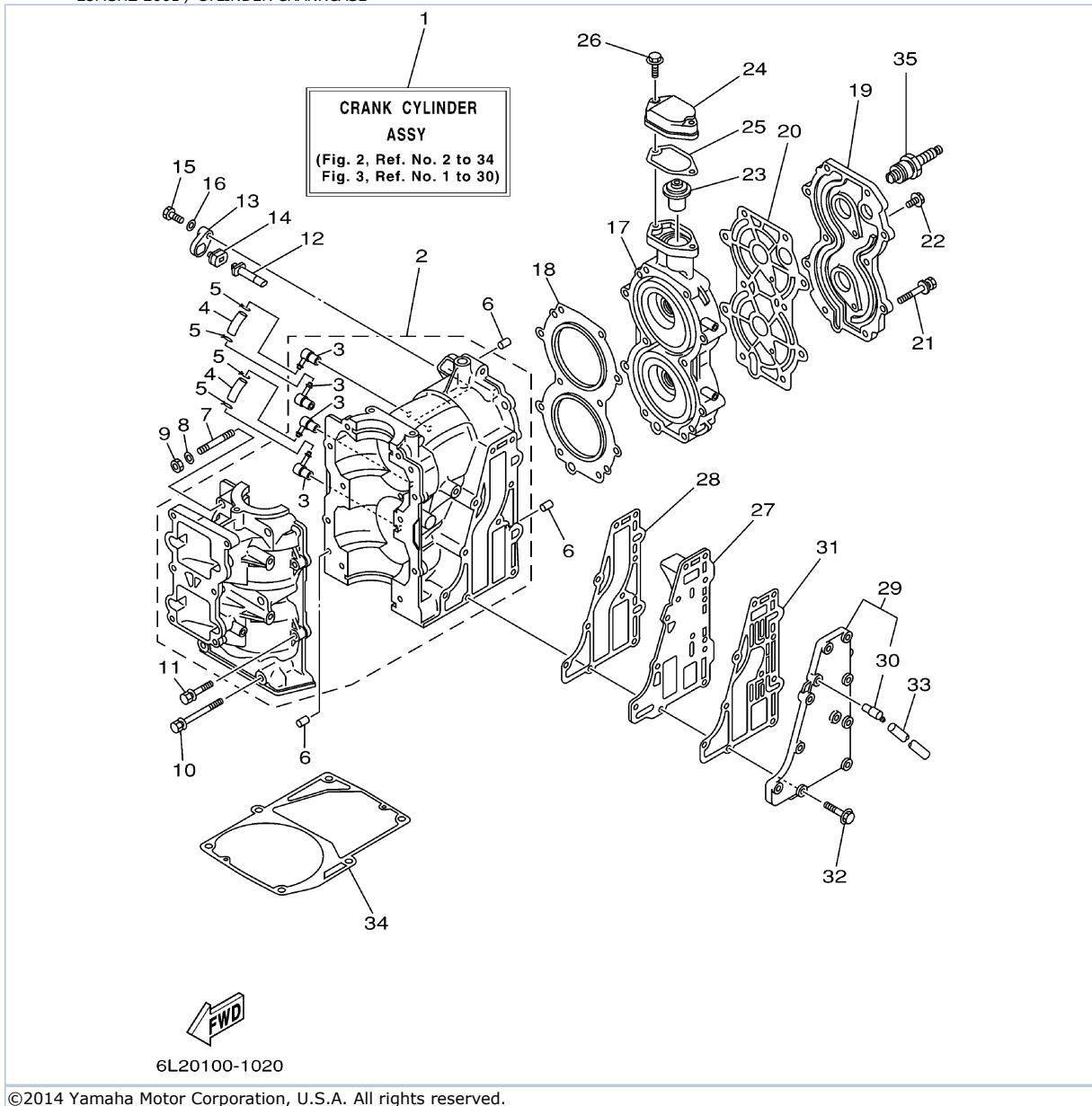
6L20010-0010

## Part List

25MSHZ 2001 / TOP COWLING

REF - NO	PART NUMBER	PART NAME	QUANTITY	REMARKS
1	6L2-42610-13-4D	TOP COWLING ASSY	1	(25MH)
2	6L2-42615-00-00	.SEAL	1	(25MH)
3	6G1-42651-71-00	.HOOK	1	(25MH)
4	6L2-42647-00-00	.HOLDER, CLAMP BAND	1	(25MH)
5	90266-04M00-00	.RIVET	2	(25MH)
6	6L2-42613-01-4D	.MOLDING, AIR DUCT	1	(25MH)
7	97095-06016-00	.BOLT	4	(25MH)
8	92995-06600-00	.WASHER	4	(25MH)
9	6L2-W0070-13-00	.GRAPHIC SET	1	(25MH)
10	6L2-42677-11-00	.GRAPHIC, FRONT	1	(25MH)
11	6L2-42678-11-00	.GRAPHIC, REAR	1	(25MH)
12	90202-05M38-00	.WASHER, PLATE	4	(25MH)
13	90266-04M04-00	.RIVET	2	(25MH)

25MSHZ 2001 / CYLINDER CRANKCASE



©2014 Yamaha Motor Corporation, U.S.A. All rights reserved.

## Part List

25MSHZ 2001 / CYLINDER CRANKCASE

REF - NO	PART NUMBER	PART NAME	QUANTITY	REMARKS
1	6L2-W0090-03-4D	CRANK CYLINDER ASSY	1	N.O/I(25MH)
2	6L2-15100-00-94	CRANKCASE ASSY	1	N.O/I(25MH)
3	6E5-11372-00-00	.NIPPLE, HOSE	4	(25MH)
4	90445-07M15-00	HOSE (L40)	2	(25MH)
5	90467-06016-00	CLIP	4	(25MH)
6	93604-12M07-00	PIN, DOWEL	4	(25MH)
7	95617-08645-00	BOLT, STUD	2	(25MH)
8	90201-08086-00	WASHER, PLATE	2	(25MH)
9	95333-08600-00	NUT	2	(25MH)
10	90119-08M65-00	BOLT, WITH WASHER	4	(25MH)
11	90119-06M14-00	BOLT, WITH WASHER	4	(25MH)
12	6J8-11325-00-00	ANODE	1	(25MH)
13	6H3-11327-00-94	COVER, ANODE	1	(25MH)
14	6H3-11328-00-00	GROMMET, ANODE	1	(25MH)
15	97013-06016-00	BOLT	1	(25MH)
16	92903-06600-00	WASHER, PLATE	1	(25MH)
17	6L2-11111-01-94	HEAD, CYLINDER 1	1	(25MH)
18	6L2-11181-A2-00	.GASKET, CYLINDER HEAD 1	1	(25MH)
19	6L2-11191-00-9M	COVER, CYLINDER HEAD 1	1	(25MH)
20	6L2-11193-A1-00	.GASKET, HEAD COVER 1	1	(25MH)
21	90119-08M91-00	BOLT, WITH WASHER	10	(25MH)
22	90119-06023-00	BOLT, WITH WASHER	2	(25MH)
23	6E5-12411-20-00	THERMOSTAT	1	(25MH)
24	6H4-12413-00-9M	COVER, THERMOSTAT	1	(25MH)
25	6J8-12414-A0-00	GASKET, COVER	1	(25MH)
26	90119-06MA3-00	BOLT, WITH WASHER	2	(25MH)
27	6L2-41111-00-9M	INNER COVER, EXHAUST	1	(25MH)
28	6L2-41112-A1-00	.GASKET, EXHAUST INNER COVER	1	(25MH)
29	6L2-41113-00-9M	OUTER COVER, EXHAUST	1	(25MH)
30	676-11372-00-00	.NIPPLE, HOSE	1	(25MH)
31	6L2-41114-A1-00	.GASKET, EXHAUST OUTER COVER	1	(25MH)
32	90119-06MA4-00	BOLT, WITH WASHER	10	(25MH)
33	90445-10M40-00	HOSE (L330)	1	(25MH)
34	6L2-45113-A1-00	.GASKET, UPPER CASING	1	(25MH)
35	NGK-B7HS1-00-00	PLUG, SPARK (NGK B7HS-10)	2	(25MH)

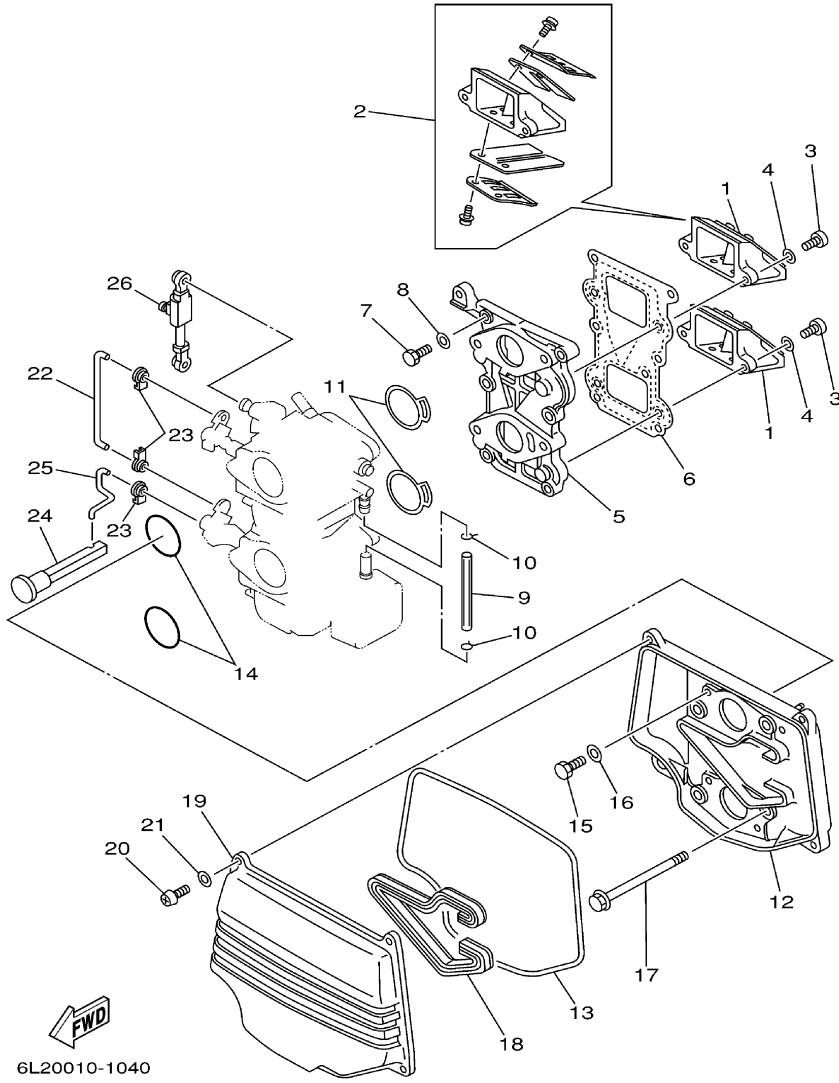


## Part List

25MSHZ 2001 / CRANKSHAFT PISTON

REF - NO	PART NUMBER	PART NAME	QUANTITY	REMARKS
1	6L2-11400-00-00	CRANKSHAFT ASSY	1	N.O/I(25MH)
2	6L2-11412-00-00	.CRANK 1	1	(25MH)
3	6L2-11422-00-00	.CRANK 2	1	(25MH)
4	6L2-11432-00-00	.CRANK 3	1	(25MH)
5	6L2-11442-00-00	.CRANK 4	1	(25MH)
6	93311-632U7-00	.BEARING	1	(25MH)
7	93102-26M27-00	.OIL SEAL	1	(25MH)
8	93210-42159-00	.O-RING	1	(25MH)
9	93306-305U3-00	.BEARING	2	(25MH)
10	6L2-11651-00-00	.ROD, CONNECTING	2	(25MH)
11	6L2-11681-00-00	.PIN, CRANK 1	2	(25MH)
12	93310-424W9-00	.BEARING	2	(25MH)
13	90209-24M15-00	.WASHER	4	(25MH)
14	6L2-11515-00-00	.SEAL, LABYRINTH 1	1	(25MH)
15	91690-30010-00	.PIN, SPRING	1	(25MH)
16	6J8-11445-00-00	.SPACER	1	N.O/I(25MH)
17	90387-28M00-00	.COLLAR	1	(25MH)
18	90201-50306-00	WASHER, PLATE	1	(25MH)
19	6L2-11631-00-97	PISTON (STD)	2	(25MH)
19	6L2-11635-00-00	PISTON (0.25MM O/S)	2	AP(25MH)
19	6L2-11636-00-00	PISTON (0.50MM O/S)	2	AP(25MH)
20	6L2-11610-00-00	PISTON RING SET (STD)	2	(25MH)
20	6L2-11610-10-00	PISTON RING SET (0.25MM O/S)	2	AP(25MH)
20	6L2-11610-20-00	PISTON RING SET (0.50MM O/S)	2	AP(25MH)
21	648-11633-00-00	PIN, PISTON	2	(25MH)
22	93602-18M12-00	PIN, DOWEL	62	(25MH)
23	93450-20026-00	CIRCLIP	4	(25MH)
24	90201-18522-00	WASHER, PLATE	4	(25MH)
25	6L2-15396-00-5B	HOUSING, OIL SEAL	1	(25MH)
26	93102-25142-00	.OIL SEAL	1	(25MH)
27	93101-13M37-00	.OIL SEAL	1	(25MH)
28	93210-56M80-00	.O-RING	1	(25MH)
29	97095-06016-00	BOLT	2	(25MH)
30	92995-06600-00	WASHER	2	(25MH)

25MSHZ 2001 / INTAKE



©2014 Yamaha Motor Corporation, U.S.A. All rights reserved.

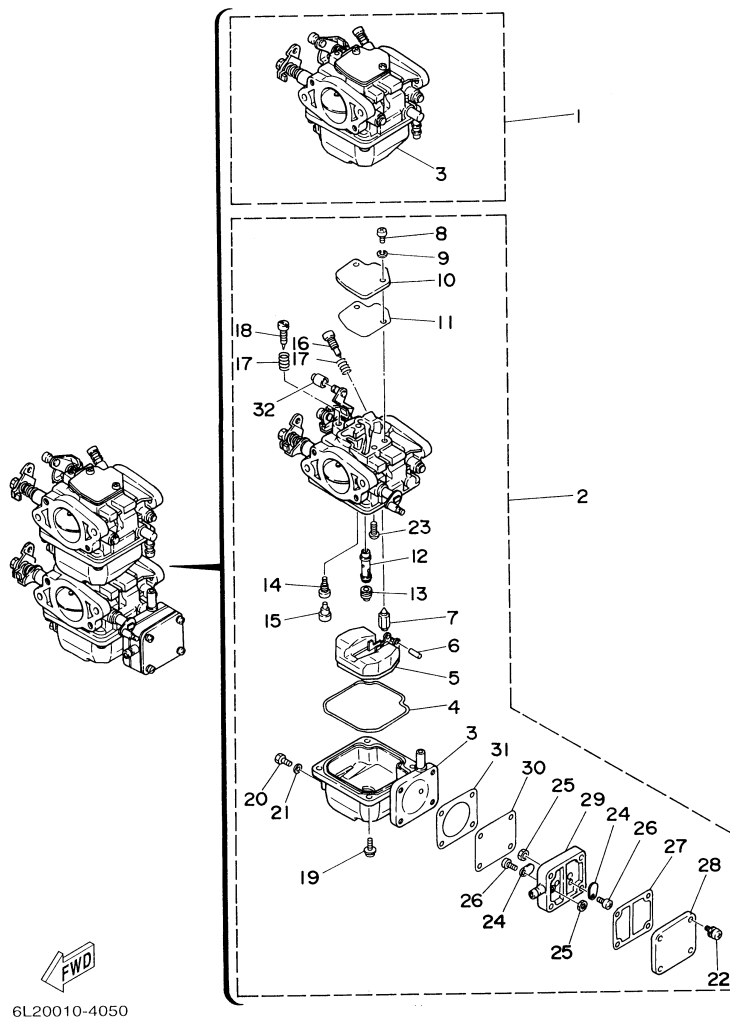
## Part List

25MSHZ 2001 / INTAKE

REF - NO	PART NUMBER	PART NAME	QUANTITY	REMARKS
1	6L2-13610-00-00	REED VALVE ASSY	2	(25MH)
2	6L2-W0004-00-00	.REED SET	1	(25MH)
3	97880-05016-00	SCREW, PAN HEAD	4	(25MH)
4	92990-05600-00	WASHER, PLATE	4	(25MH)
5	6L2-13641-00-94	MANIFOLD 1	1	(25MH)
6	6L2-13621-00-00	.GASKET, VALVE SEAT	1	(25MH)
7	97013-06025-00	BOLT	6	(25MH)
8	92903-06600-00	WASHER, PLATE	6	(25MH)
9	90445-09012-00	HOSE (L70)	1	(25MH)
10	90467-08004-00	CLIP	2	(25MH)
11	6L2-14198-00-00	.GASKET	2	(25MH)
12	6L2-14417-00-94	COVER 1	1	(25MH)
13	6L2-14476-00-00	SEAL	1	(25MH)
14	93210-35M86-00	.O-RING	2	(25MH)
15	97013-05012-00	BOLT	4	(25MH)
16	92903-05600-00	WASHER, PLATE	4	(25MH)
17	97513-06585-00	BOLT, WITH WASHER	4	(25MH)
18	6L2-14476-11-00	SEAL	1	(25MH)
19	6L2-14418-00-00	COVER 2	1	(25MH)
20	97880-05016-00	SCREW, PAN HEAD	4	(25MH)
21	92990-05600-00	WASHER, PLATE	4	(25MH)
22	6J8-41259-00-00	ROD, CHOKE 3	1	(25MH)
23	661-41262-02-00	JOINT, CHOKE LEVER	3	(25MH)
24	6J8-41271-01-00	KNOB, CHOKE	1	(25MH)
25	6L2-41257-00-00	ROD, CHOKE 2	1	(25MH)
26	6L2-41217-00-00	ROD, ACCEL. LEVER	1	(25MH)



25MSHZ 2001 / CARBURETOR

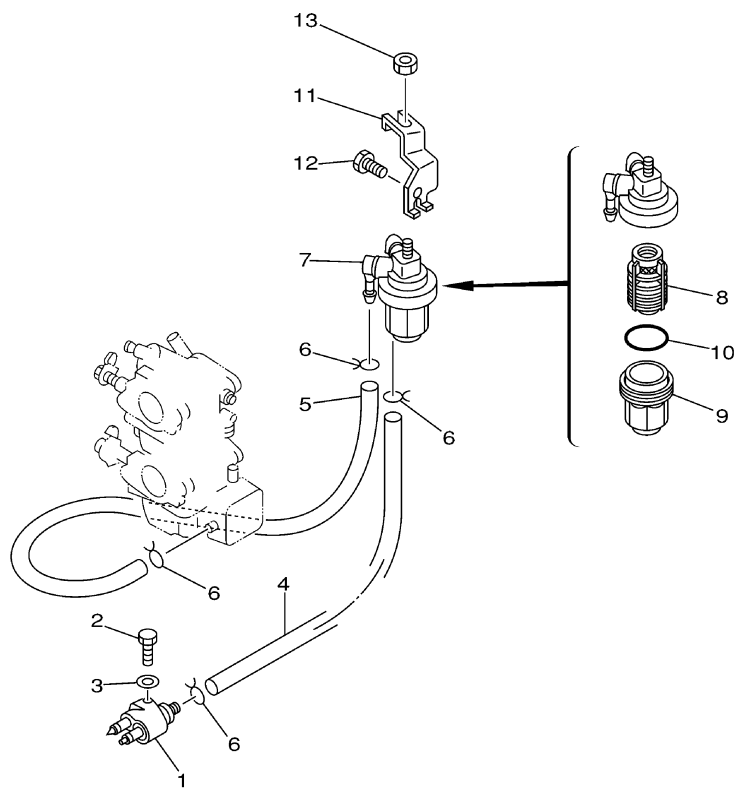


## Part List

25MSHZ 2001 / CARBURETOR

REF - NO	PART NUMBER	PART NAME	QUANTITY	REMARKS
1	6L2-14301-01-00	CARBURETOR ASSY 1	1	1(25MH)
2	6L2-14302-01-00	CARBURETOR ASSY 2	1	2(25MH)
3	6L2-14383-00-00	.SCREW, DRAIN	1	2(25MH)
3	6L2-14381-00-00	.BODY, FLOAT CHAMBER 1	1	1(25MH)
4	6L2-14384-00-00	.GASKET, FLOAT CHAMBER	2	(25MH)
5	6L2-14385-00-00	.FLOAT	2	(25MH)
6	6E5-14386-01-00	.PIN, FLOAT	2	(25MH)
7	6L2-14392-00-00	.VALVE	2	(25MH)
8	97880-04010-00	.SCREW, PAN HEAD	4	(25MH)
9	92900-04100-00	.WASHER	4	(25MH)
10	6L2-14157-00-00	.COVER, MIXING	2	(25MH)
11	6L2-14399-00-00	.GASKET	2	(25MH)
12	6L2-14341-00-00	.NOZZLE, MAIN	2	(25MH)
13	30X-14343-63-00	.JET, MAIN (125)	2	(25MH)
14	6L2-14342-30-00	.JET, PILOT (60)	2	(25MH)
15	50M-14355-00-00	.PLUG	2	(25MH)
16	6L2-14323-00-00	.SCREW, AIR ADJUSTING	2	(25MH)
17	646-14212-01-00	.SPRING, PILOT ADJUSTING	4	(25MH)
18	664-14321-01-00	.SCREW, THROTTLE	2	(25MH)
19	97980-04112-00	.SCREW, WITH WASHER	8	(25MH)
20	677-14383-00-00	.SCREW, DRAIN	2	(25MH)
21	6L2-14398-00-00	.GASKET	2	(25MH)
22	677-24444-01-00	.SCREW	4	(25MH)
23	98980-04006-00	.SCREW, BIND	2	(25MH)
24	6A0-24421-01-00	.VALVE, CHECK	2	(25MH)
25	95380-03600-00	.NUT	2	(25MH)
26	6E7-14325-00-00	.SCREW, PAN HEAD	2	(25MH)
27	6L2-24435-00-00	.GASKET, BODY 2	1	(25MH)
28	6L2-24413-00-00	.BODY 2	1	(25MH)
29	682-24412-01-00	.BODY 1	1	(25MH)
30	677-24411-02-00	.DIAPHRAGM	1	(25MH)
31	677-24434-02-00	.GASKET, BODY	1	(25MH)
32	6L2-14578-00-00	.COLLAR	1	2(25MH)

25MSHZ 2001 / FUEL 1



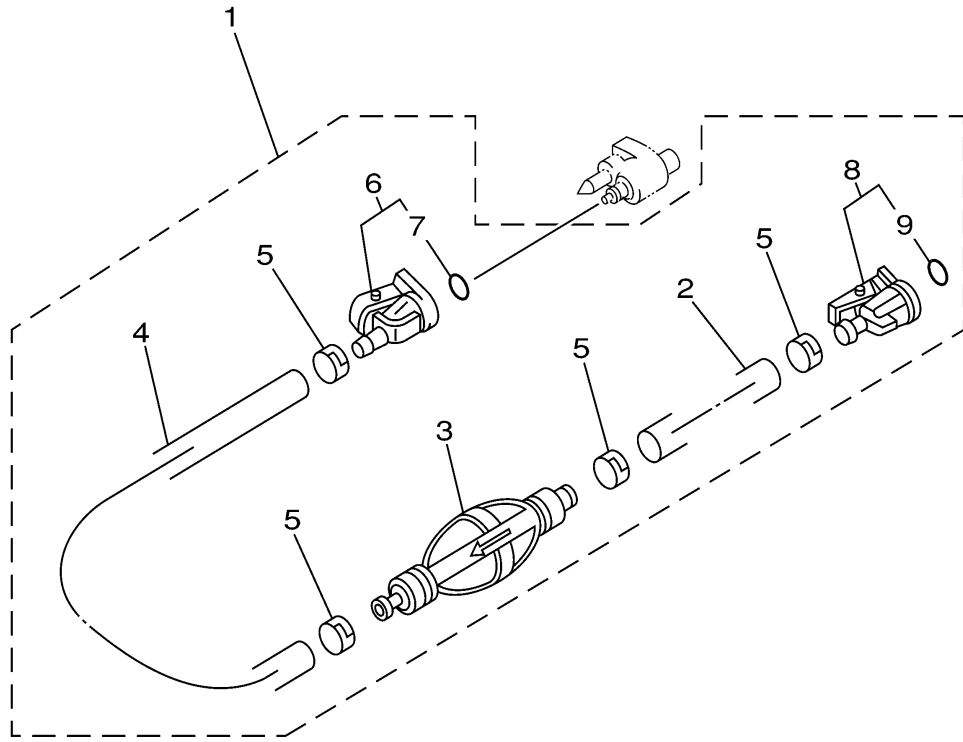
6L20010-0060

## Part List

25MSHZ 2001 / FUEL 1

REF - NO	PART NUMBER	PART NAME	QUANTITY	REMARKS
1	6G1-24304-02-00	FUEL PIPE JOINT COMP. 1	1	(25MH)
2	97095-06020-00	BOLT	1	(25MH)
3	92995-06600-00	WASHER	1	(25MH)
4	6H4-24311-00-00	PIPE, FUEL 1	1	(25MH)
5	6L2-24311-00-00	PIPE, FUEL 1	1	(25MH)
6	90467-08004-00	CLIP	4	(25MH)
7	61N-24560-00-00	FILTER ASSY	1	(25MH)
8	61N-24563-00-00	.ELEMENT, FILTER	1	(25MH)
9	61N-24521-00-00	.CUP, FILTER	1	(25MH)
10	93210-32738-00	.O-RING	1	(25MH)
11	6L2-24566-00-00	BRACKET, FILTER	1	(25MH)
12	97013-06014-00	BOLT	1	(25MH)
13	95380-08600-00	NUT	1	(25MH)

25MSHZ 2001 / FUEL 2



67C0100-0100

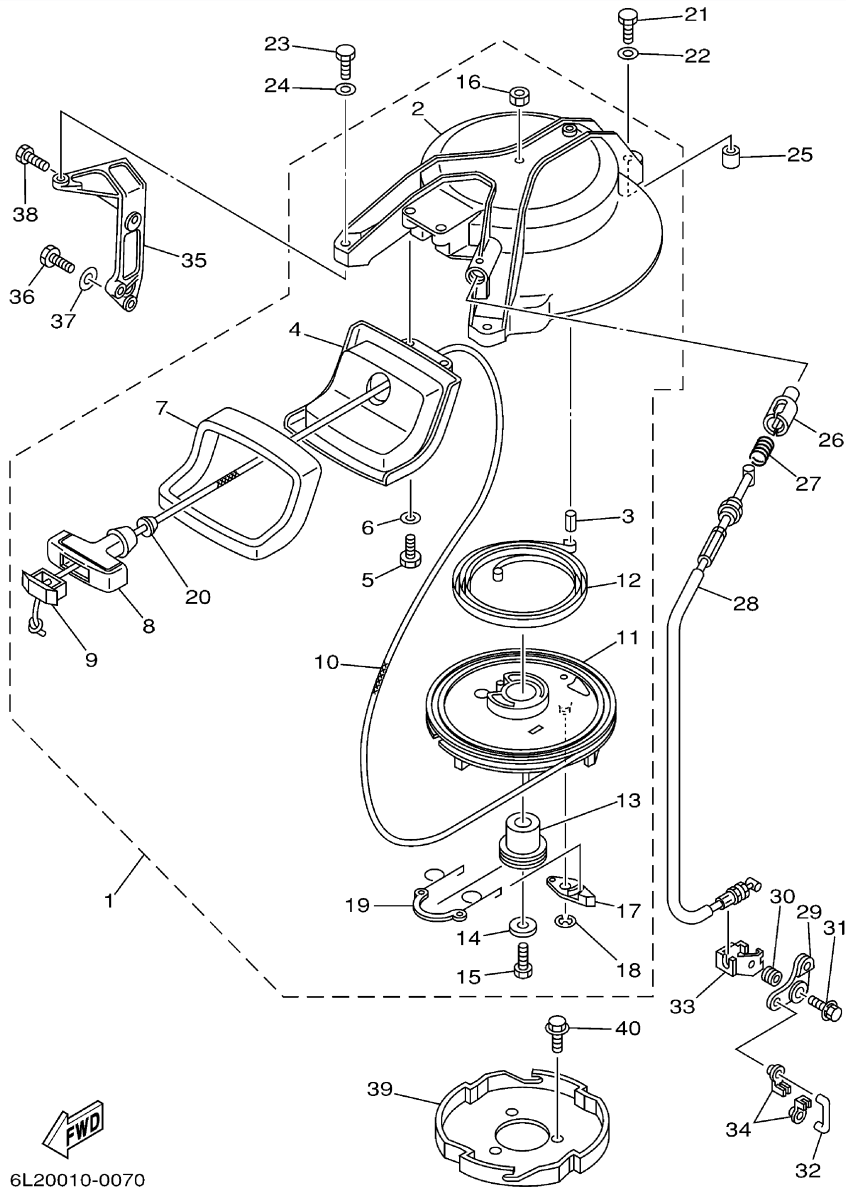
©2014 Yamaha Motor Corporation, U.S.A. All rights reserved.

## Part List

25MSHZ 2001 / FUEL 2

REF - NO	PART NUMBER	PART NAME	QUANTITY	REMARKS
1	6Y1-24306-53-00	FUEL PIPE COMP. 1	1	AP(25MH)
2	90445-11M06-00	.HOSE (L2050)	1	(25MH)
3	6Y1-24360-52-00	.PRIMER PUMP ASSY	1	(25MH)
4	90445-11M05-00	.HOSE (L850)	1	(25MH)
5	650-24351-51-00	.BAND 1	4	(25MH)
6	6G1-24305-03-00	.FUEL PIPE JOINT COMP 2	1	(25MH)
7	93210-08287-00	..O-RING	1	(25MH)
8	6Y1-24305-04-00	.FUEL PIPE JOINT COMP 2	1	(25MH)
9	93210-08287-00	..O-RING	1	(25MH)

25MSHZ 2001 / STARTER



6L20010-0070

©2014 Yamaha Motor Corporation, U.S.A. All rights reserved.

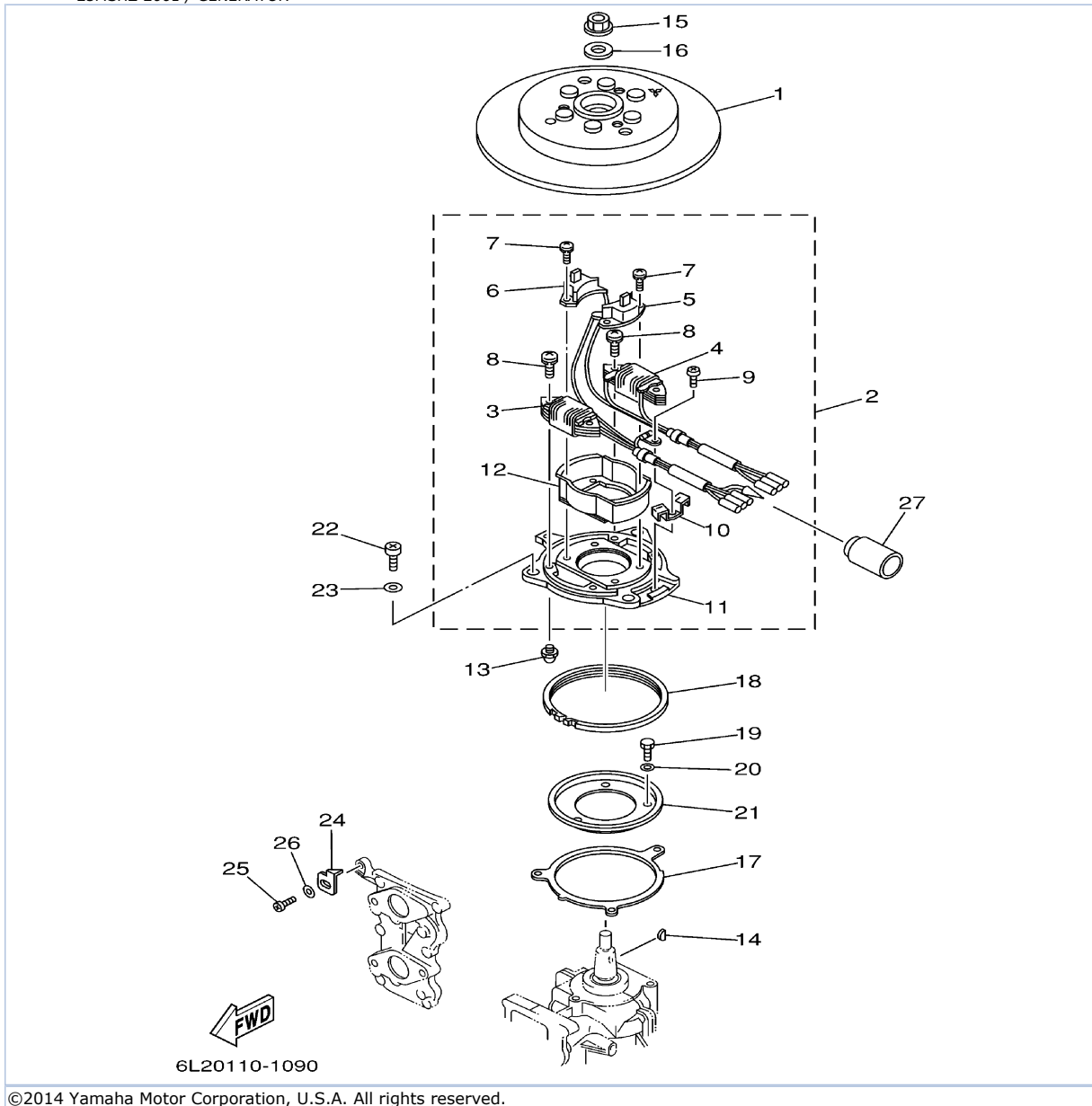
## Part List

25MSHZ 2001 / STARTER

REF - NO	PART NUMBER	PART NAME	QUANTITY	REMARKS
1	6L2-15710-02-00	STARTER ASSY	1	(25MH)
2	6L2-15711-00-94	.CASE, STARTER	1	(25MH)
3	91690-40014-00	.PIN, SPRING	1	(25MH)
4	6L2-15758-01-94	.GUIDE, ROPE	1	(25MH)
5	97095-06016-00	.BOLT	2	(25MH)
6	92995-06600-00	.WASHER	2	(25MH)
7	6L2-15762-00-00	.SEAL, RUBBER 2	1	(25MH)
8	689-15755-01-00	.HANDLE, STARTER	1	(25MH)
9	6F5-15779-02-00	.COVER	1	(25MH)
10	90580-50M01-00	.ROPE, STARTER	1	(25MH)
11	6J8-15714-00-00	.DRUM, SHEAVE	1	(25MH)
12	90510-08M04-00	.SPRING, SPIRAL	1	(25MH)
13	677-15717-01-00	.SHAFT, STARTER	1	(25MH)
14	90201-06060-00	.WASHER, PLATE	1	(25MH)
15	97013-06025-00	.BOLT	1	(25MH)
16	95303-06700-00	.NUT	1	(25MH)
17	676-15741-03-00	.PAWL, DRIVE	1	(25MH)
18	93430-06M02-00	.CIRCLIP	1	(25MH)
19	6J8-15705-00-00	.SPRING, DRIVE PAWL	1	(25MH)
20	6A0-15789-00-00	.DAMPER	1	(25MH)
21	97095-06035-00	BOLT	1	(25MH)
22	92995-06600-00	WASHER	1	(25MH)
23	97095-06025-00	BOLT	2	(25MH)
24	92995-06600-00	WASHER	2	(25MH)
25	99530-10014-00	PIN, DOWEL	1	(25MH)
26	656-15748-00-00	PLUNGER, STARTER STOP	1	(25MH)
27	90501-10227-00	SPRING, COMPRESSION	1	(25MH)
28	6L2-15770-00-00	CABLE COMP., STARTER STOP	1	(25MH)
29	6L2-15746-00-00	ARM	1	(25MH)
30	90387-06M51-00	COLLAR	1	(25MH)
31	90119-06M53-00	BOLT, WITH WASHER	1	(25MH)
32	6L2-15747-00-00	LINK	1	(25MH)
33	6L2-15774-00-00	STAY 4	1	(25MH)
34	661-41262-02-00	JOINT, CHOKE LEVER	2	(25MH)
35	6L2-15772-00-94	STAY 2	1	(25MH)
36	97013-06020-00	BOLT	1	(25MH)
37	92903-06600-00	WASHER, PLATE	1	(25MH)
38	97095-06020-00	BOLT	1	(25MH)
39	6L2-15723-01-00	PULLEY, STARTER	1	(25MH)
40	90105-08M10-00	BOLT, FLANGE	3	(25MH)



25MSHZ 2001 / GENERATOR



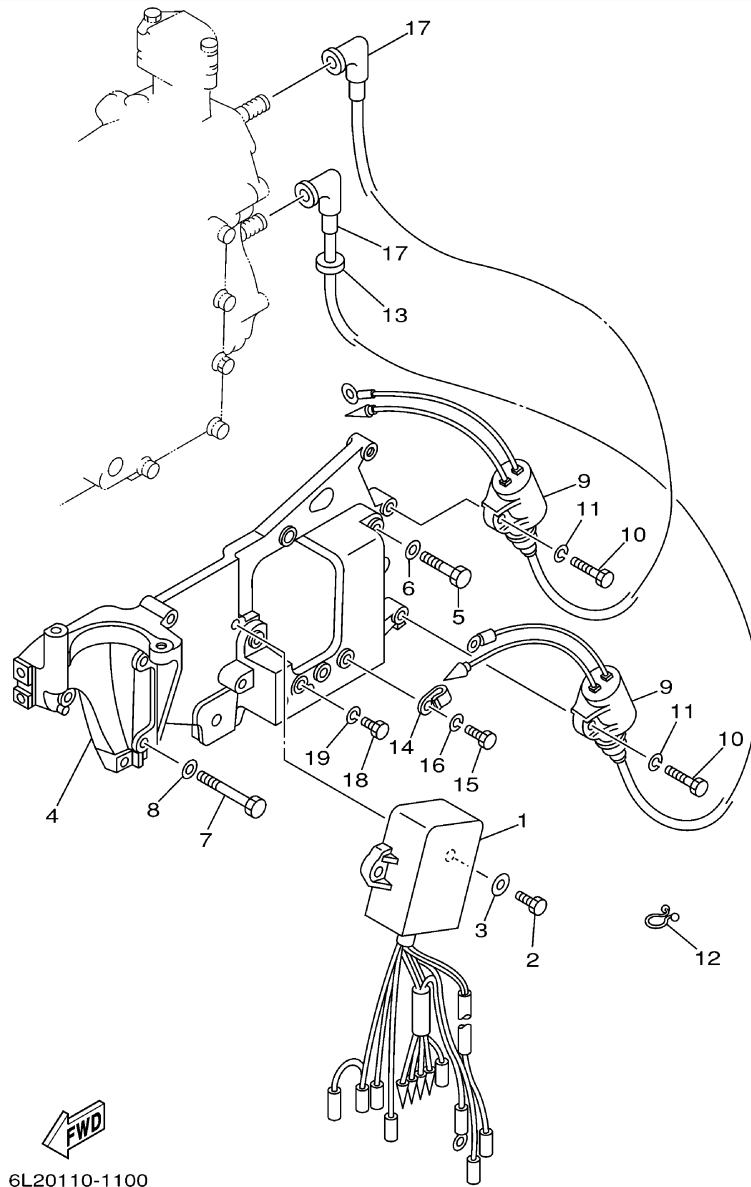
©2014 Yamaha Motor Corporation, U.S.A. All rights reserved.

## Part List

25MSHZ 2001 / GENERATOR

REF - NO	PART NUMBER	PART NAME	QUANTITY	REMARKS
1	6L2-85550-00-00	ROTOR ASSY	1	(25MH)
2	6L2-85560-10-00	BASE ASSY	1	(25MH)
3	6L2-85520-10-00	.COIL, CHARGE	1	(25MH)
4	6L2-85533-10-00	.COIL, LIGHTING	1	(25MH)
5	6L2-85580-10-00	.COIL, PULSER	1	(25MH)
6	6L2-85580-20-00	.COIL, PULSER	1	(25MH)
7	97607-04112-00	.SCREW, PAN HEAD WITH WASHER	4	(25MH)
8	97607-06125-00	.SCREW, WITH WASHER	4	(25MH)
9	97802-04006-00	.SCREW, PAN HEAD	1	(25MH)
10	6E9-81328-70-00	.CLAMP	1	(25MH)
11	6L2-85561-10-00	.BASE, MAGNETO	1	(25MH)
12	61N-85537-00-00	.COVER	1	(25MH)
13	663-85518-00-00	JOINT, BALL	1	(25MH)
14	90280-05013-00	KEY, WOODRUFF	1	(25MH)
15	90179-12M04-00	NUT	1	(25MH)
16	90201-13M42-00	WASHER, PLATE	1	(25MH)
17	6G1-41611-00-00	RETAINER, MAGNETO BASE	1	(25MH)
18	695-41613-00-00	PLATE, BASE FRICTION	1	(25MH)
19	97095-06012-00	BOLT	3	(25MH)
20	92995-06600-00	WASHER	3	(25MH)
21	6G1-41612-00-00	RETAINER, MAGNETO BASE	1	(25MH)
22	97885-05010-00	.SCREW, PAN HEAD	3	(25MH)
23	92995-05600-00	WASHER	3	(25MH)
24	6L2-81332-00-00	PLATE, TIMING	1	(25MH)
25	97885-05010-00	.SCREW, PAN HEAD	1	(25MH)
26	92995-05600-00	WASHER	1	(25MH)
27	6L2-82599-01-00	COVER, CONNECTER	1	(25MH)

25MSHZ 2001 / ELECTRICAL



6L20110-1100

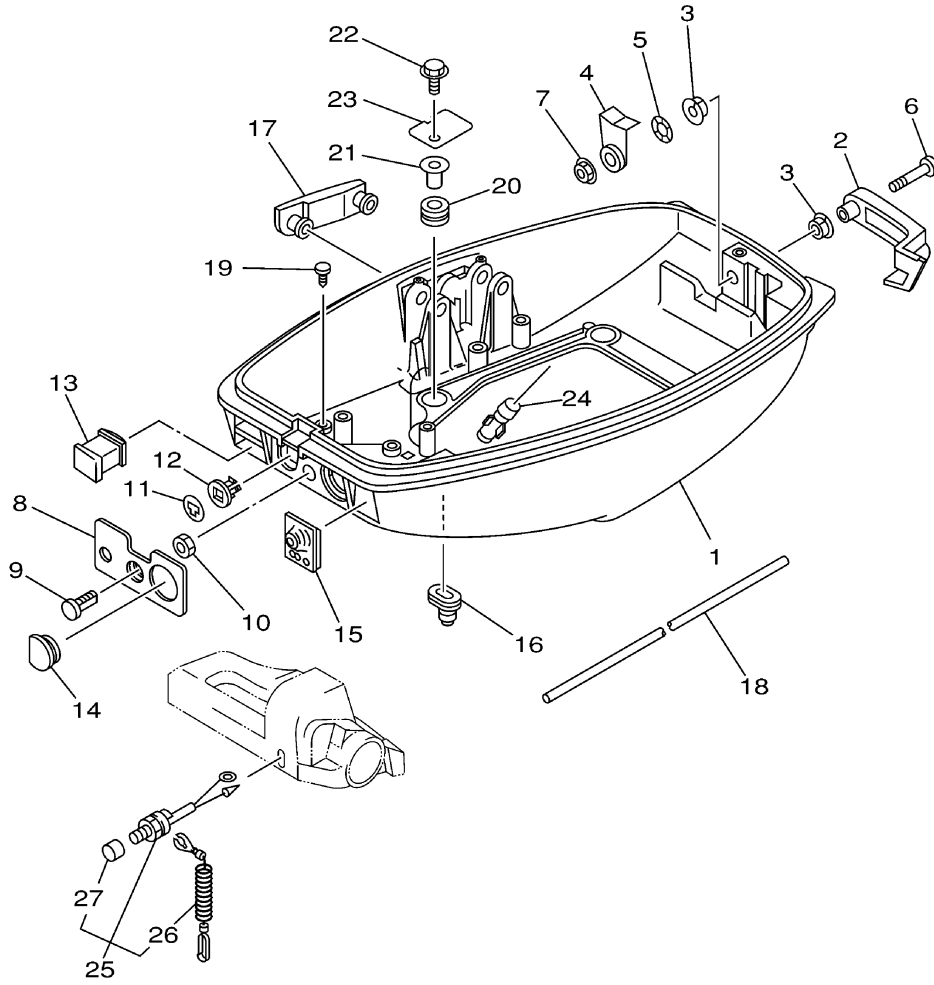
©2014 Yamaha Motor Corporation, U.S.A. All rights reserved.

## Part List

25MSHZ 2001 / ELECTRICAL

REF - NO	PART NUMBER	PART NAME	QUANTITY	REMARKS
1	6L2-85540-21-00	C.D.I. UNIT ASSY	1	(25MH)
2	97095-06020-00	BOLT	2	(25MH)
3	92995-06600-00	WASHER	2	(25MH)
4	6L2-85542-02-94	BRACKET	1	(25MH)
5	97075-06030-00	BOLT	3	(25MH)
6	92995-06600-00	WASHER	3	(25MH)
7	90101-06M16-00	BOLT	2	(25MH)
8	92903-06600-00	WASHER, PLATE	2	(25MH)
9	61N-85570-00-00	IGNITION COIL ASSY	2	(25MH)
10	97095-06020-00	BOLT	2	(25MH)
11	92995-06100-00	WASHER, SPRING	2	(25MH)
12	90464-05M16-00	CLAMP	1	(25MH)
13	90480-25161-00	GROMMET	1	(25MH)
14	90465-06M90-00	CLAMP	1	(25MH)
15	97095-06012-00	BOLT	1	(25MH)
16	92995-06100-00	WASHER, SPRING	1	(25MH)
17	663-82370-01-00	PLUG CAP ASSY	2	(25MH)
18	97095-06012-00	BOLT	2	(25MH)
19	92995-06100-00	WASHER, SPRING	2	(25MH)

25MSHZ 2001 / BOTTOM COWLING



6L20110-1110

©2014 Yamaha Motor Corporation, U.S.A. All rights reserved.


## Part List

25MSHZ 2001 / BOTTOM COWLING

REF - NO	PART NUMBER	PART NAME	QUANTITY	REMARKS
1	6L2-42711-03-4D	COWLING, BOTTOM 1	1	(25MH)
2	6L2-42815-01-4D	LEVER, CLAMP	1	(25MH)
3	90386-12M45-00	BUSH	2	(25MH)
4	6L2-42816-00-00	LEVER, CLAMP	1	(25MH)
5	90206-12052-00	WASHER, WAVE	1	(25MH)
6	97880-06035-00	SCREW, PAN HEAD	1	(25MH)
7	95780-06300-00	NUT, FLANGE	1	(25MH)
8	6L2-42719-00-00	PANEL, FRONT LOWER	1	(25MH)
9	6L2-42724-00-00	GROMMET	1	(25MH)
10	90170-12M13-00	NUT	1	(25MH)
11	689-41273-00-00	GROMMET	1	(25MH)
12	6J8-41274-00-00	GROMMET 2	1	(25MH)
13	6L2-42725-00-00	GROMMET	1	(25MH)
14	6G1-42724-00-00	GROMMET	1	(25MH)
15	6L2-42726-01-00	GROMMET	1	(25MH)
16	6G1-42727-00-00	GROMMET	1	(25MH)
17	6L2-42748-01-00	GROMMET	1	(25MH)
18	6L2-42716-00-00	RUBBER, SEAL 1	1	(25MH)
19	90338-05M03-00	PLUG	2	(25MH)
20	90480-15M31-00	GROMMET	4	(25MH)
21	90387-06M52-00	COLLAR	4	(25MH)
22	95895-06020-00	BOLT, FLANGE	4	(25MH)
23	6L2-42738-01-00	PLATE, FITTING	2	(25MH)
24	6H3-44391-01-00	NIPPLE, HOSE	1	(25MH)
25	689-82575-04-00	ENGINE STOP SWITCH ASSY	1	(25MH)
26	682-82556-00-00	.LANYARD, STOP SWITCH	1	(25MH)
27	689-8257Y-00-00	.CAP	1	(25MH)

## Part Notes

25MSHZ 2001 / BOTTOM COWLING

PART NUMBER	NOTE TEXT
682-82556-00-00 	OEM: This part number is among the Top 100 Most Popular Marine Maintenance Parts as of March 2014.

©2014 Yamaha Motor Corporation, U.S.A. All rights reserved.



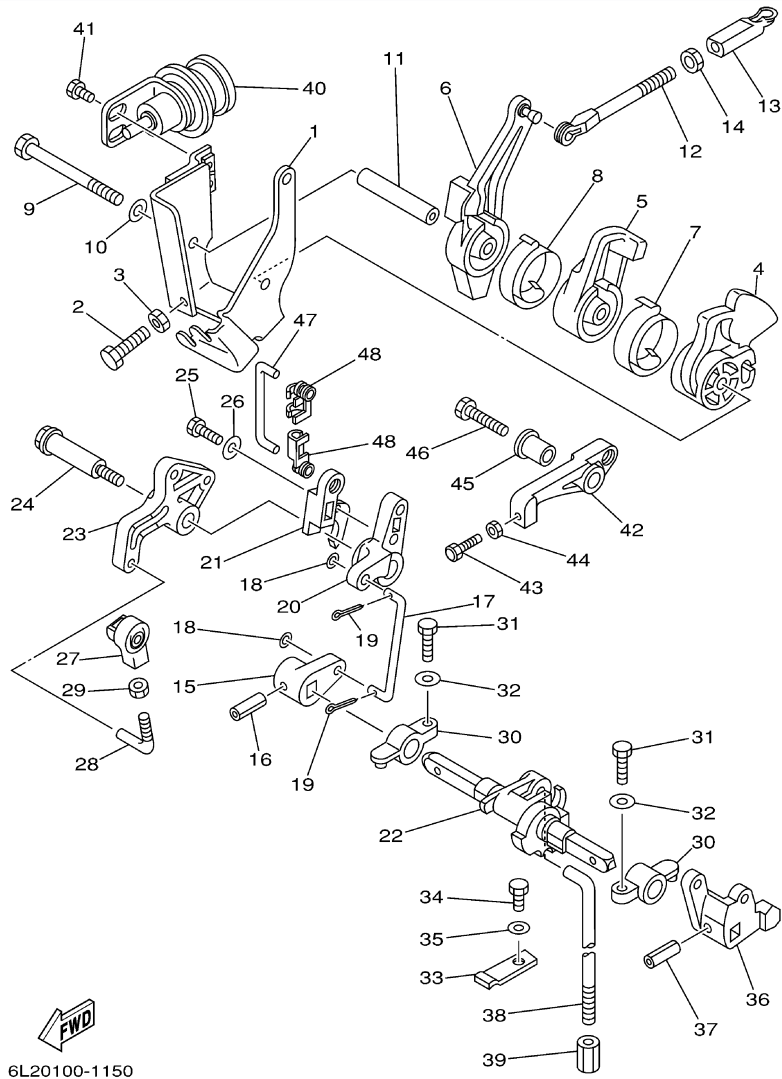
## Part List

25MSHZ 2001 / STEERING

REF - NO	PART NUMBER	PART NAME	QUANTITY	REMARKS
1	6L2-W0084-00-4D	HANDLE STEERING ASSY	1	(25MH)
2	6G1-42111-11-4D	HANDLE, STEERING	1	(25MH)
3	90206-36M21-00	WASHER, WAVE	1	(25MH)
4	90202-36M55-00	WASHER, PLATE	1	(25MH)
5	90386-33M96-00	BUSH	1	(25MH)
6	90386-34M97-00	BUSH	1	(25MH)
7	6G1-42131-01-00	COVER, HANDLE STEERING	1	(25MH)
8	97095-06020-00	BOLT	1	(25MH)
9	6G1-42125-01-00	BOLT, FRICTION ADJUSTING	1	(25MH)
10	6G1-42126-00-00	FRICTION, STEERING HANDLE GRIP	1	(25MH)
11	91490-16010-00	PIN. COTTER	1	(25MH)
12	664-42119-00-00	GRIP, STEERING HANDLE	1	(25MH)
13	6F6-42177-A0-00	RUBBER, HANDLE	1	(25MH)
14	6L2-42137-00-00	INDICATOR, THROTTLE	1	(25MH)
15	90269-02M09-00	RIVET	1	(25MH)
16	90501-23215-00	SPRING, COMPRESSION	1	(25MH)
17	92903-10600-00	WASHER, PLATE	1	(25MH)
18	90149-05M13-00	SCREW	1	(25MH)
19	90386-08032-00	BUSH	1	(25MH)
20	6G1-42138-01-00	LEVER, THROTTLE	1	(25MH)
21	6E0-42159-02-00	STAY	1	(25MH)
22	97885-05012-00	SCREW, PAN HEAD	2	(25MH)
23	6L2-26301-00-00	THROTTLE CABLE ASSY	2	(25MH)
24	6L2-44111-01-94	HANDLE, GEAR SHIFT	1	(25MH)
25	90386-15M73-00	BUSH	2	(25MH)
26	90206-15M18-00	WASHER, WAVE	1	(25MH)
27	90202-15M37-00	WASHER, PLATE	1	(25MH)
28	90386-12M72-00	BUSH	1	(25MH)
29	6L2-44125-00-94	LEVER, SHIFT ROD	1	(25MH)
30	97095-06020-00	BOLT	1	(25MH)
31	92995-06600-00	WASHER	1	(25MH)
32	90202-06009-00	WASHER, PLATE	2	(25MH)
33	91490-20010-00	PIN. COTTER	1	(25MH)
34	6L2-44124-00-00	LINK, SHIFT ROD	1	(25MH)
35	6L2-26363-00-00	END, CABLE	1	(25MH)
36	95380-06700-00	NUT	1	(25MH)
37	90202-05088-00	WASHER, PLATE	2	(25MH)
38	90202-05M38-00	WASHER, PLATE	1	(25MH)
39	90468-05M03-00	CLIP	1	(25MH)



25MSHZ 2001 / CONTROL



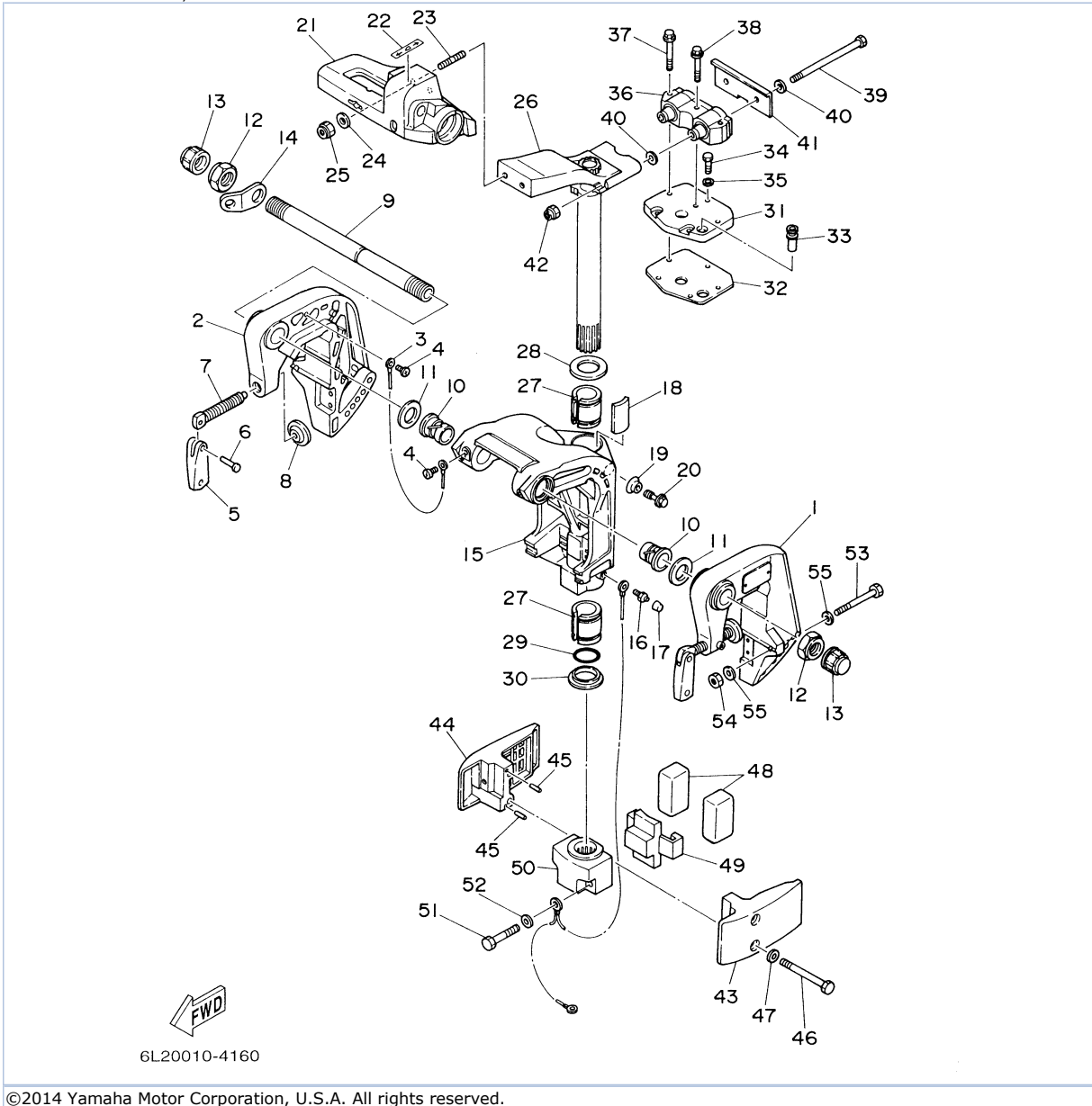
©2014 Yamaha Motor Corporation, U.S.A. All rights reserved.

## Part List

25MSHZ 2001 / CONTROL

REF - NO	PART NUMBER	PART NAME	QUANTITY	REMARKS
1	6L2-14497-00-00	STAY, THROTTLE WIRE	1	(25MH)
2	97095-06020-00	BOLT	1	(25MH)
3	95380-06700-00	NUT	1	(25MH)
4	6L2-41213-00-00	CAM, ACCEL.	1	(25MH)
5	6L2-41283-00-00	LEVER, FREE ACCEL.	1	(25MH)
6	6L2-41631-00-00	LEVER, MAGNETO CONTROL	1	(25MH)
7	6J8-42167-00-00	SPRING 1	1	(25MH)
8	6L2-42167-00-00	SPRING 1	1	(25MH)
9	97095-06075-00	BOLT	1	(25MH)
10	92995-06600-00	WASHER	1	(25MH)
11	90387-06M18-00	COLLAR	1	(25MH)
12	689-42169-01-00	JOINT	1	(25MH)
13	662-41237-01-00	JOINT, LINK	1	(25MH)
14	95380-05600-00	NUT	1	(25MH)
15	6L2-44122-00-00	BUSHING, SHIFT ROD LEVER	1	(25MH)
16	90254-03M04-00	.PIN, SPRING	1	(25MH)
17	6L2-42192-00-00	ROD 2	1	(25MH)
18	90202-05088-00	WASHER, PLATE	2	(25MH)
19	91490-20010-00	PIN. COTTER	2	(25MH)
20	6L2-44141-01-00	LINK, SHIFT ROD	1	(25MH)
21	6L2-44141-10-94	LINK, SHIFT ROD	1	(25MH)
22	6L2-44121-00-00	LEVER, SHIFT ROD	1	(25MH)
23	6L2-41212-00-00	ARM, ACCEL.	1	(25MH)
24	90109-06M28-00	BOLT	1	(25MH)
25	97013-05016-00	BOLT	1	(25MH)
26	92903-05600-00	WASHER, PLATE	1	(25MH)
27	6L2-41237-00-00	JOINT, LINK	1	(25MH)
28	6L2-41238-00-00	JOINT, LINK	1	(25MH)
29	95380-05700-00	NUT	1	(25MH)
30	6G1-41662-01-94	BRACKET 2	2	(25MH)
31	97013-06020-00	BOLT	2	(25MH)
32	92903-06600-00	WASHER, PLATE	2	(25MH)
33	6J8-44116-00-00	SPRING	1	(25MH)
34	97095-06012-00	BOLT	1	(25MH)
35	92995-06600-00	WASHER	1	(25MH)
36	6L2-44123-00-00	ARM, SHIFT ROD	1	(25MH)
37	90254-03M04-00	.PIN, SPRING	1	(25MH)
38	6L2-44143-00-00	ROD, SHIFT	1	(25MH)
39	90170-06015-00	NUT	1	(25MH)
40	6L2-14368-00-00	DIAPHRAGM ASSY 1	1	(25MH)
41	97095-06008-00	BOLT	2	(25MH)
42	6L2-44114-10-00	STOPPER	1	(25MH)
43	90149-06M09-00	SCREW	1	(25MH)
44	95380-06700-00	NUT	1	(25MH)
45	90387-06M15-00	COLLAR	1	(25MH)
46	97095-06030-00	BOLT	1	(25MH)
47	6L2-42192-10-00	ROD 2	1	(25MH)
48	6F5-41237-00-00	JOINT, LINK	2	(25MH)

25MSHZ 2001 / BRACKET 1



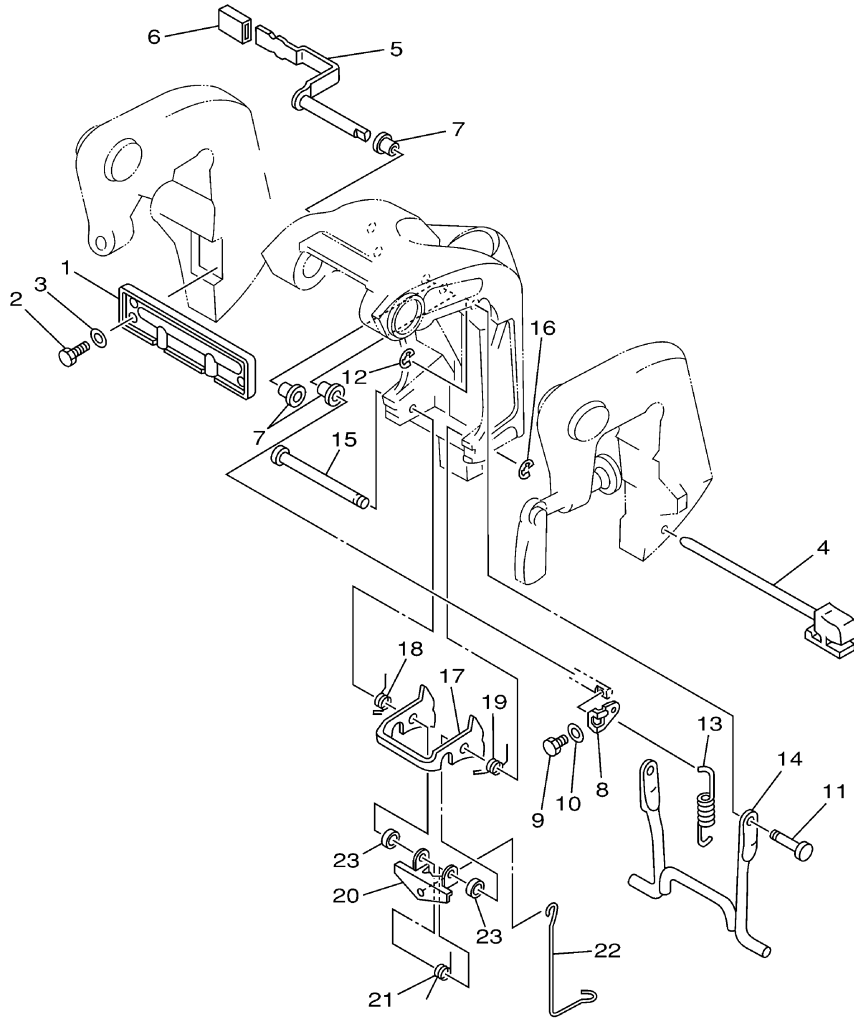
©2014 Yamaha Motor Corporation, U.S.A. All rights reserved.

## Part List

25MSHZ 2001 / BRACKET 1

REF - NO	PART NUMBER	PART NAME	QUANTITY	REMARKS
1	6L2-43111-04-4D	BRACKET, CLAMP	1	(25MH)
2	6L2-43112-05-4D	BRACKET, CLAMP	1	(25MH)
3	6E5-82148-00-00	WIRE, LEAD 4	1	(25MH)
4	97885-06008-00	SCREW, PAN HEAD	2	(25MH)
5	6E0-43118-01-00	HANDLE, TRANSOM CLAMP	2	(25MH)
6	90243-04M01-00	PIN	2	(25MH)
7	6L2-43116-00-00	SCREW, TRANSOM CLAMP	2	(25MH)
8	648-43114-01-00	PAD, TRANSOM CLAMP	2	(25MH)
9	6J8-43131-01-00	BOLT, CLAMP BRACKET	1	(25MH)
10	90386-22M67-00	BUSH	2	(25MH)
11	90201-22M03-00	WASHER, PLATE	2	(25MH)
12	90185-22043-00	NUT, SELF-LOCKING	2	(25MH)
13	6G5-43145-01-00	CAP, CLAMP BRACKET	2	(25MH)
14	6J8-43113-01-00	PLATE, CLAMP BRACKET	1	(25MH)
15	6L2-43311-05-4D	BRACKET, SWIVEL 1	1	(25MH)
16	93700-06M03-00	NIPPLE, GREASE	1	(25MH)
17	663-45119-00-00	CAP, GREASE NIPPLE	1	AP(25MH)
18	6H4-42528-00-00	PLATE, FRICTION	1	(25MH)
19	689-43373-01-00	SEAL, DAMPER	1	(25MH)
20	90105-06M18-00	BOLT, FLANGE	1	(25MH)
21	6L2-42121-02-4D	BRACKET	1	(25MH)
22	6E0-44191-11-00	INDICATOR, SHIFT	1	(25MH)
23	90116-10M28-00	BOLT, STUD	2	(25MH)
24	92995-10600-00	WASHER	2	(25MH)
25	90185-10051-00	NUT, SELF-LOCKING	2	(25MH)
26	6L2-42510-01-4D	STEERING BRACKET ASSY	1	(25MH)
27	90386-30M75-00	BUSH	2	(25MH)
28	90201-30M00-00	WASHER, PLATE	1	(25MH)
29	93210-29375-00	.O-RING	1	(25MH)
30	90386-30M60-00	BUSH	1	(25MH)
31	6L2-44512-00-4D	COVER, UPPER MOUNT	1	(25MH)
32	6L2-45114-A1-00	GASKET, UPPER CASING	1	(25MH)
33	6L2-44365-00-00	DAMPER, WATER SEAL	1	(25MH)
34	97095-06020-00	BOLT	3	(25MH)
35	92995-06600-00	WASHER	3	(25MH)
36	6L2-44514-01-00	MOUNT DAMPER, UPPER SIDE	1	(25MH)
37	90119-06M04-00	BOLT, WITH WASHER	2	(25MH)
38	90119-06M05-00	BOLT, WITH WASHER	1	(25MH)
39	90101-08M09-00	BOLT	2	(25MH)
40	90201-08M01-00	.WASHER, PLATE	4	(25MH)
41	6L2-44526-00-00	PLATE	1	(25MH)
42	90185-08057-00	NUT, SELF-LOCKING	2	(25MH)
43	6L2-44551-01-4D	HOUSING, LOWER MOUNT RUBBER	1	(25MH)
44	6L2-44552-01-4D	HOUSING, LOWER MOUNT RUBBER	1	(25MH)
45	93604-12M07-00	PIN, DOWEL	2	(25MH)
46	97095-08085-00	BOLT	2	(25MH)
47	92995-08600-00	WASHER	2	(25MH)
48	6L2-44555-00-00	MOUNT DAMPER, LOWER SIDE	2	(25MH)
49	6L2-44557-00-00	MOUNT DAMPER, LOWER FRONT	1	(25MH)
50	6L2-44553-01-4D	COVER, LOWER MOUNT	1	(25MH)
51	97095-08045-00	.BOLT	2	(25MH)
52	92995-08600-00	WASHER	2	(25MH)
53	97095-08070-00	BOLT	2	AP(25MH)
54	95380-08600-00	NUT	4	AP(25MH)
55	92995-08600-00	WASHER	4	AP(25MH)

25MSHZ 2001 / BRACKET 2



6L20110-1150

©2014 Yamaha Motor Corporation, U.S.A. All rights reserved.


## Part List

25MSHZ 2001 / BRACKET 2

REF - NO	PART NUMBER	PART NAME	QUANTITY	REMARKS
1	6L2-43165-01-00	PLATE, TILT LOCK	1	(25MH)
2	97090-06010-00	BOLT	4	(25MH)
3	92990-06600-00	WASHER, PLATE	4	(25MH)
4	6L2-43160-00-00	TILT ROD ASSY	1	(25MH)
5	6L2-43630-01-00	TILT LEVER ASSY	1	(25MH)
6	682-43318-01-00	COVER	1	(25MH)
7	90386-08032-00	BUSH	3	(25MH)
8	6L2-43682-01-00	LEVER, SHALLOW WATER DRIVE 2	1	(25MH)
9	97095-05010-00	BOLT	1	(25MH)
10	92995-05600-00	WASHER	1	(25MH)
11	6L2-43191-01-00	SHAFT, STOPPER	1	(25MH)
12	99080-05600-00	CIRCLIP	1	(25MH)
13	90506-20M27-00	SPRING, TENSION	1	(25MH)
14	6L2-43350-02-00	RECEIVER ASSY	1	(25MH)
15	6J8-43611-01-00	SHAFT, TILT LOCK	1	(25MH)
16	99080-05600-00	CIRCLIP	1	(25MH)
17	6L2-43614-00-00	PLATE, TILT LOCK	1	(25MH)
18	90508-12M28-00	SPRING, TORSION	1	(25MH)
19	90508-12M29-00	SPRING, TORSION	1	(25MH)
20	6L2-43615-00-00	PLATE, TILT LOCK	1	(25MH)
21	6L2-43657-00-00	SPRING, LOCK	1	(25MH)
22	6L2-43676-00-00	HOOK	1	(25MH)
23	6G0-44365-00-00	DAMPER, WATER SEAL	2	(25MH)

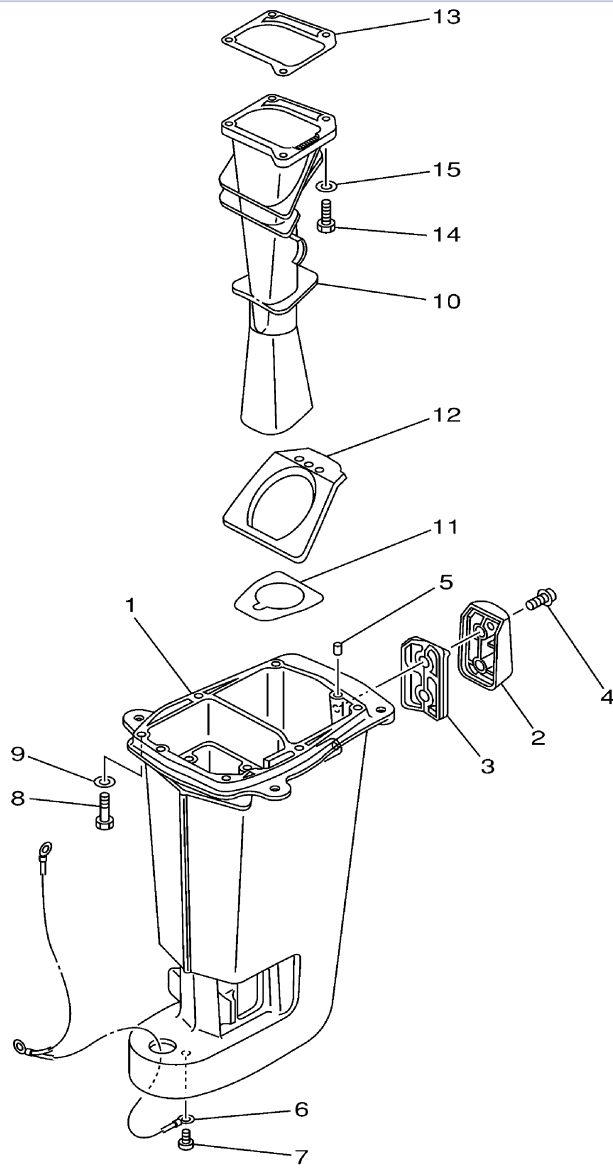
## Part Notes

25MSHZ 2001 / BRACKET 2

PART NUMBER	NOTE TEXT
92990-06600-00 	OEM: This part number is among the Top 100 Most Popular Marine Maintenance Parts as of March 2014.

©2014 Yamaha Motor Corporation, U.S.A. All rights reserved.

25MSHZ 2001 / UPPER CASING



6L20100-1190

©2014 Yamaha Motor Corporation, U.S.A. All rights reserved.

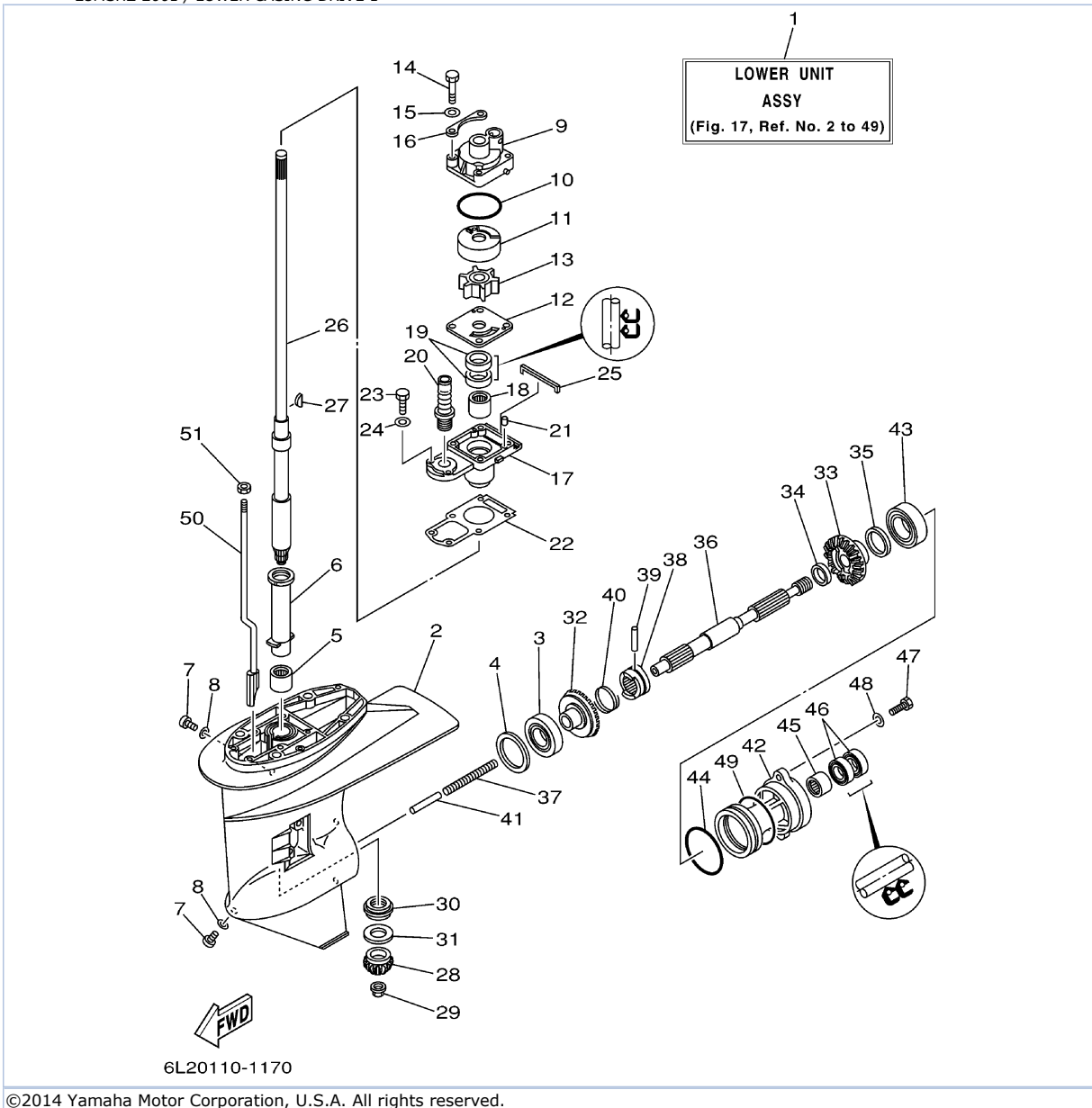
## Part List

25MSHZ 2001 / UPPER CASING

REF - NO	PART NUMBER	PART NAME	QUANTITY	REMARKS
1	6L2-45111-12-4D	CASING, UPPER	1	L(25MH)
1	6L2-45111-02-4D	CASING, UPPER	1	S(25MH)
2	6L2-45151-01-4D	COVER, UPPER CASING	1	(25MH)
3	6L2-45115-00-00	GASKET, UPPER CASING	1	(25MH)
4	90159-06M11-00	SCREW, WITH WASHER	2	(25MH)
5	93604-12M07-00	PIN, DOWEL	2	(25MH)
6	6L2-82127-00-00	WIRE, LEAD 2	1	(25MH)
7	90157-06M06-00	SCREW, PAN HEAD	1	(25MH)
8	97075-08030-00	BOLT	6	(25MH)
9	92995-08600-00	WASHER	6	(25MH)
10	6L2-41131-00-5B	MANIFOLD, EXT. 1	1	(25MH)
11	6L2-41134-00-00	.GASKET, EXHAUST MANIFOLD	1	(25MH)
12	6L2-45123-01-00	GASKET, MUFFLER	1	(25MH)
13	6L2-41133-A1-00	.GASKET, EXHAUST MANIFOLD 1	1	(25MH)
14	97095-06020-00	BOLT	4	(25MH)
15	92995-06600-00	WASHER	4	(25MH)



25MSHZ 2001 / LOWER CASING DRIVE 1




## Part List

25MSHZ 2001 / LOWER CASING DRIVE 1

REF - NO	PART NUMBER	PART NAME	QUANTITY	REMARKS
1	6L2-45300-12-4D	LOWER UNIT ASSY	1	L(25MH)
1	6L2-45300-02-4D	LOWER UNIT ASSY	1	S(25MH)
2	6L2-45311-02-4D	CASING, LOWER	1	(25MH)
3	93332-00005-00	BEARING	1	(25MH)
4	6L2-45567-00-10	SHIM (T:1.0MM)	1	UR(25MH)
4	6L2-45567-00-11	SHIM (T:1.1MM)	1	UR(25MH)
4	6L2-45567-00-14	SHIM (T:1.4MM)	1	UR(25MH)
4	6L2-45567-00-13	SHIM (T:1.3MM)	1	UR(25MH)
4	6L2-45567-00-12	SHIM (T:1.2MM)	1	UR(25MH)
5	93315-220V9-00	BEARING	1	(25MH)
6	6L2-45536-00-00	SLEEVE, DRIVE SHAFT	1	(25MH)
7	90340-08M04-00	PLUG, STRAIGHT SCREW	2	(25MH)
8	90430-08020-00	.GASKET	2	(25MH)
9	6L2-44311-00-00	HOUSING, WATER PUMP	1	(25MH)
10	93210-45161-00	.O-RING	1	(25MH)
11	6L2-44322-00-00	.INSERT, CARTRIDGE	1	(25MH)
12	6L2-44323-00-00	.OUTER PLATE, CARTRIDGE	1	(25MH)
13	6L2-44352-00-00	.IMPELLER	1	(25MH)
14	97095-06040-00	.BOLT	4	(25MH)
15	92995-06600-00	WASHER	4	(25MH)
16	6L2-44328-00-00	PLATE	2	(25MH)
17	6L2-45331-00-5B	HOUSING, BEARING	1	(25MH)
18	93315-22004-00	BEARING	1	(25MH)
19	93101-20048-00	.OIL SEAL	2	(25MH)
20	6L2-44147-00-00	BOOT, SHIFT ROD	1	(25MH)
21	93604-12M07-00	PIN, DOWEL	2	(25MH)
22	6L2-45315-A0-00	.PACKING, LOWER CASING	1	(25MH)
23	97095-06020-00	BOLT	2	(25MH)
24	92995-06600-00	WASHER	2	(25MH)
25	6L2-45375-00-00	DAMPER, SEAL	1	(25MH)
26	6L2-45510-10-00	DRIVE SHAFT ASSY	1	L(25MH)
26	6L2-45510-00-00	DRIVE SHAFT ASSY	1	S(25MH)
27	90280-03024-00	.KEY, WOODRUFF	1	(25MH)
28	6L2-45551-01-00	PINION (13T)	1	(25MH)
29	90179-10M14-00	NUT	1	(25MH)
30	93341-320U0-00	BEARING	1	(25MH)
31	6L2-45587-00-16	SHIM (T:1.6MM)	1	UR(25MH)
31	6L2-45587-00-15	SHIM (T:1.5MM)	1	UR(25MH)
32	6L2-45560-00-00	GEAR	1	(25MH)
33	6L2-45571-00-00	GEAR 2 (27T)	1	(25MH)
34	90201-20417-00	WASHER, PLATE	1	(25MH)
35	6L2-45577-00-10	SHIM (T:1.0MM)	1	UR(25MH)
35	6L2-45577-00-13	SHIM (T:1.3MM)	1	UR(25MH)
35	6L2-45577-00-12	SHIM (T:1.2MM)	1	UR(25MH)
35	6L2-45577-00-11	SHIM (T:1.1MM)	1	UR(25MH)
36	6L2-45611-00-00	SHAFT, PROPELLER	1	(25MH)
37	90501-10065-00	SPRING, COMPRESSION	1	(25MH)
38	6L2-45631-00-00	CLUTCH, DOG	1	(25MH)
39	90250-05010-00	PIN, STRAIGHT	1	(25MH)
40	648-45633-00-00	RING, CROSS PIN	1	(25MH)
41	648-45635-00-00	PLUNGER, SHIFT	1	(25MH)
42	6L2-45361-03-4D	CAP, LOWER CASING	1	(25MH)
43	93306-00612-00	BEARING	1	(25MH)
44	93210-60MA3-00	.O-RING	1	(25MH)
45	93315-22004-00	BEARING	1	(25MH)
46	93101-20M07-00	.OIL SEAL	2	(25MH)
47	97095-06020-00	BOLT	2	(25MH)
48	92995-06600-00	WASHER	2	(25MH)
49	93210-60M99-00	.O-RING	1	(25MH)
50	6L2-44150-10-00	SHIFT CAM ASSY	1	L(25MH)

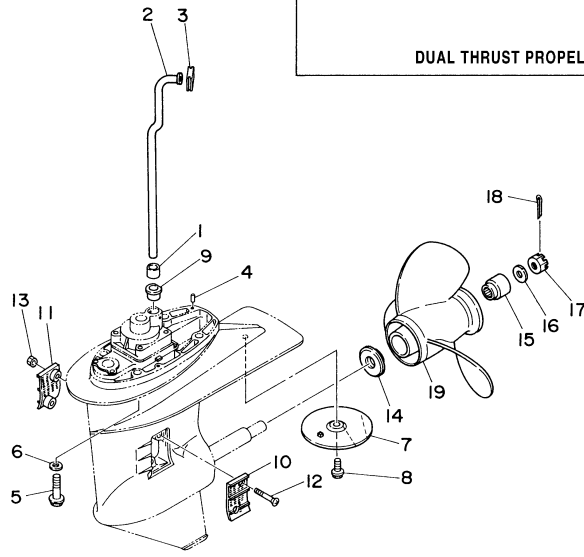
50	6L2-44150-00-00	SHIFT CAM ASSY	1	S(25MH)
51	95380-06600-00	NUT, HEXAGON	1	(25MH)

**Part Notes***25MSHZ 2001 / LOWER CASING DRIVE 1*

<b>PART NUMBER</b>		<b>NOTE TEXT</b>
90430-08020-00		OEM: This part number is among the Top 100 Most Popular Marine Maintenance Parts as of March 2014.

©2014 Yamaha Motor Corporation, U.S.A. All rights reserved.

25MSHZ 2001 / LOWER CASING DRIVE 2



6L20010-4200


## Part List

25MSHZ 2001 / LOWER CASING DRIVE 2

REF - NO	PART NUMBER	PART NAME	QUANTITY	REMARKS
1	6L2-44368-00-00	RUBBER, WATER SEAL 4	1	(25MH)
2	6L2-44361-10-00	TUBE, WATER	1	L(25MH)
2	6L2-44361-00-00	TUBE, WATER	1	S(25MH)
3	6L2-44366-00-00	DAMPER, WATER SEAL	1	(25MH)
4	93604-12M07-00	PIN, DOWEL	2	(25MH)
5	90105-10M12-00	BOLT, FLANGE	4	(25MH)
6	92990-10600-00	WASHER, PLATE	4	(25MH)
7	664-45371-01-00	TAB-TRIM	1	(25MH)
8	90105-08M02-00	BOLT, FLANGE	1	(25MH)
9	6L2-44367-00-00	.DAMPER, WATER SEAL 3	1	(25MH)
10	6L2-45214-00-00	COVER, WATER INLET 1	1	(25MH)
11	6L2-45215-00-00	COVER, WATER INLET 2	1	(25MH)
12	90151-05M05-00	SCREW, COUNTERSUNK	2	(25MH)
13	90185-05002-00	NUT, NYLON	2	(25MH)
14	6L2-45987-01-00	SPACER 1	1	(25MH)
15	689-45997-00-00	SPACER 2	1	(25MH)
16	92990-14200-00	WASHER, PLAIN	1	(25MH)
17	90171-14013-00	NUT, CASTLE	1	(25MH)
18	91490-30022-00	PIN. COTTER	1	(25MH)
19	664-45941-01-EL	PROPELLER (3X9-7/8"X9"-F)	1	UR(25MH)
19	664-45943-01-EL	PROPELLER (3X9-7/8"X8"-F)	1	UR(25MH)
19	664-45945-00-EL	PROPELLER (3X9-7/8"X10-1/2"-F)	1	UR(25MH)
19	664-45947-01-EL	PROPELLER (3X9-7/8"X11-1/4"-F)	1	UR(25MH)
19	664-45954-01-EL	PROPELLER (3X9-7/8"X12"-F)	1	UR(25MH)
19	664-45952-00-EL	PROPELLER (3X9-7/8"X14"-F)	1	UR(25MH)
19	664-45970-00-98	PROPELLER (3X9-1/8"X13"-F)	1	UR STAINLESS STEEL, WEEDLESS(25MH)
19	664-45972-00-98	PROPELLER (3X9-1/8"X12"-F)	1	UR STAINLESS STEEL, WEEDLESS(25MH)
19	664-45949-02-EL	PROPELLER (3X9-7/8"X13"-F)	1	UR(25MH)
20	6J8-W4591-00-EL	PROPELLER (3X10-5/8X8-1/4-F)	1	UR DUAL THRUST PROPELLER(25MH)
21	6J8-45986-10-98	.RING, DEFLECTOR	1	(25MH)

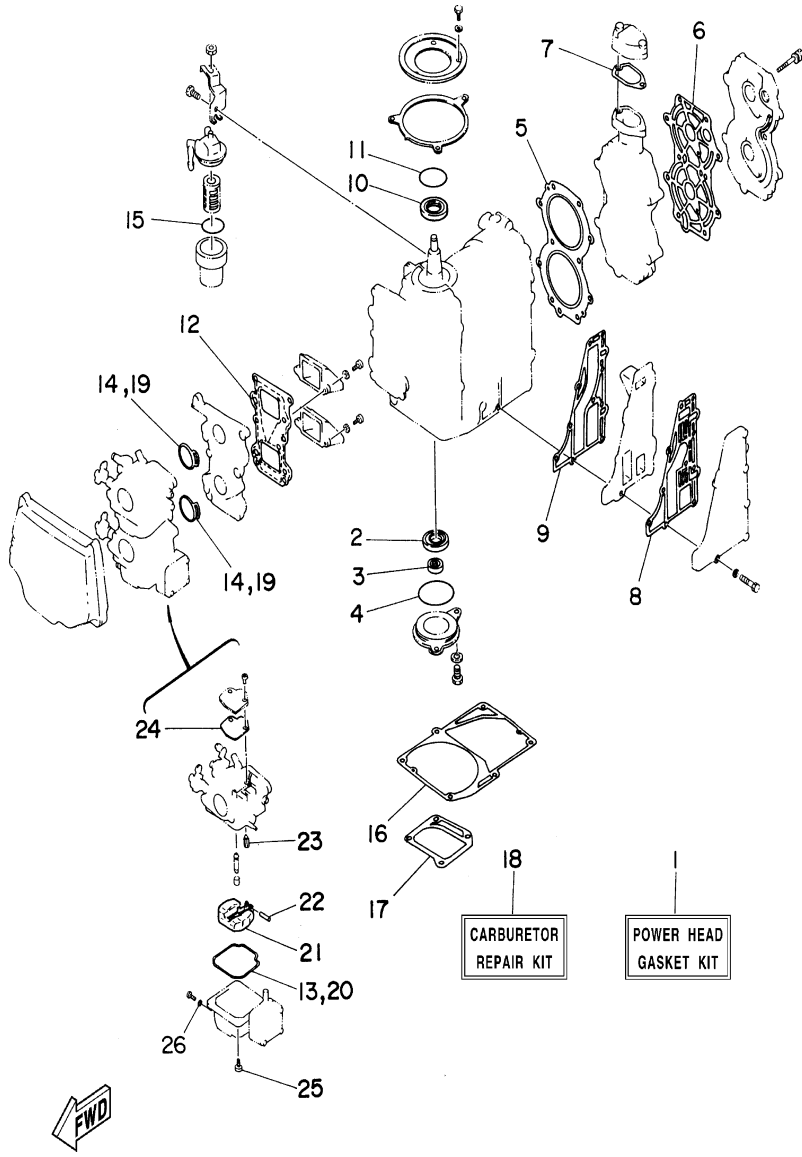
## Part Notes

25MSHZ 2001 / LOWER CASING DRIVE 2

PART NUMBER	NOTE TEXT
92990-10600-00 	OEM: This part number is among the Top 100 Most Popular Marine Maintenance Parts as of March 2014.

©2014 Yamaha Motor Corporation, U.S.A. All rights reserved.

25MSHZ 2001 / REPAIR KIT 1



6L20100-4260

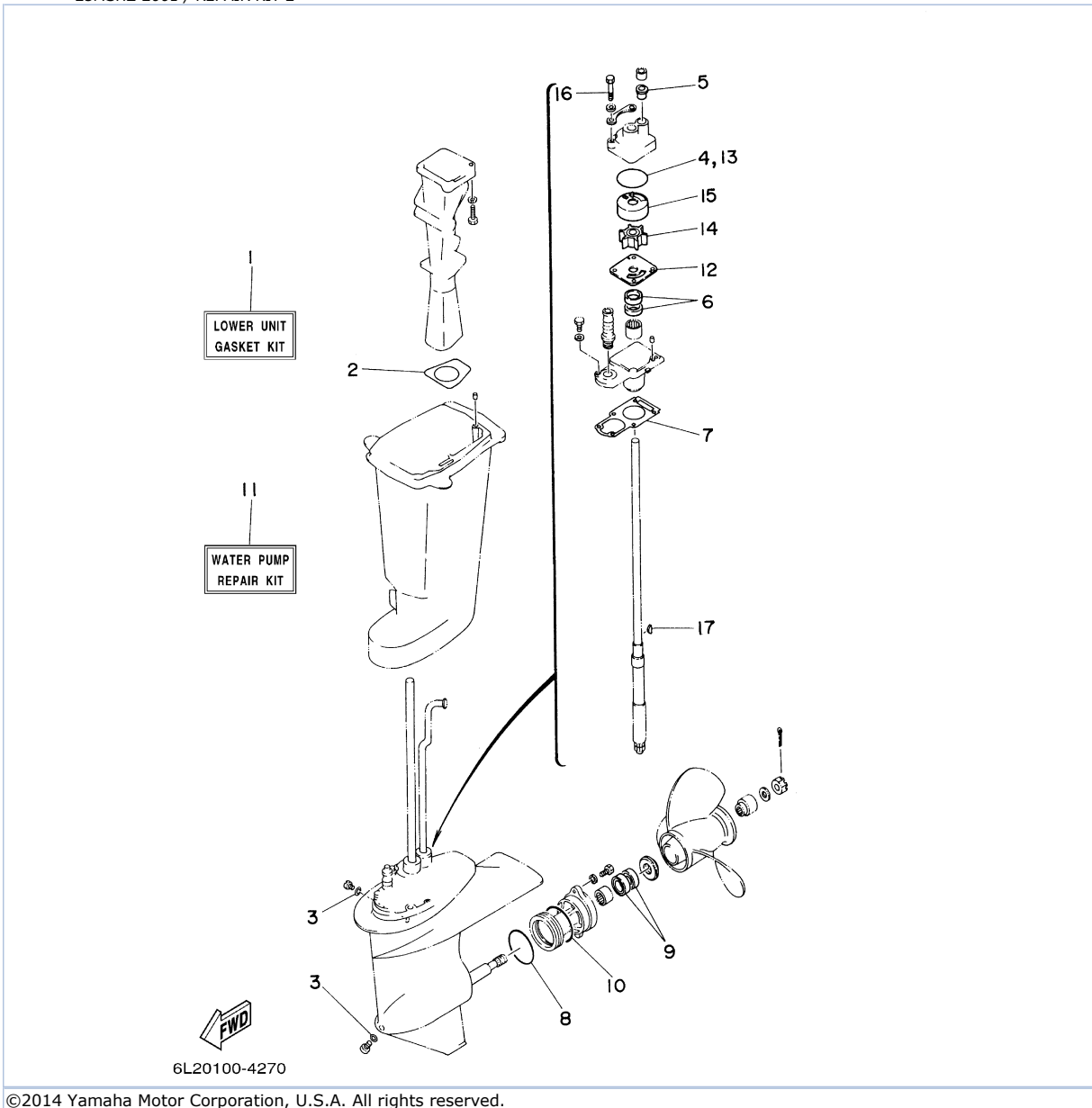
©2014 Yamaha Motor Corporation, U.S.A. All rights reserved.

## Part List

25MSHZ 2001 / REPAIR KIT 1

REF - NO	PART NUMBER	PART NAME	QUANTITY	REMARKS
1	6L2-W0001-03-00	POWER HEAD GASKET KIT	1	(25MH)
2	93102-25142-00	.OIL SEAL	1	(25MH)
3	93101-13M37-00	.OIL SEAL	1	(25MH)
4	93210-56M80-00	.O-RING	1	(25MH)
5	6L2-11181-A2-00	.GASKET, CYLINDER HEAD 1	1	(25MH)
6	6L2-11193-A1-00	.GASKET, HEAD COVER 1	1	(25MH)
7	6J8-12414-A0-00	.GASKET, COVER	1	(25MH)
8	6L2-41114-A1-00	.GASKET, EXHAUST OUTER COVER	1	(25MH)
9	6L2-41112-A1-00	.GASKET, EXHAUST INNER COVER	1	(25MH)
10	93102-26M27-00	.OIL SEAL	1	(25MH)
11	93210-42159-00	.O-RING	1	(25MH)
12	6L2-13621-00-00	.GASKET, VALVE SEAT	1	(25MH)
13	6L2-14384-00-00	.GASKET, FLOAT CHAMBER	2	(25MH)
14	6L2-14198-00-00	.GASKET	2	(25MH)
15	93210-32738-00	.O-RING	1	(25MH)
16	6L2-45113-A1-00	.GASKET, UPPER CASING	1	(25MH)
17	6L2-41133-A1-00	.GASKET, EXHAUST MANIFOLD 1	1	(25MH)
18	6L2-W0093-00-00	CARBURETOR REPAIR KIT	1	(25MH)
19	6L2-14198-00-00	.GASKET	2	(25MH)
20	6L2-14384-00-00	.GASKET, FLOAT CHAMBER	2	(25MH)
21	6L2-14385-00-00	.FLOAT	2	(25MH)
22	6E5-14386-01-00	.PIN, FLOAT	2	(25MH)
23	6L2-14392-00-00	.VALVE	2	(25MH)
24	6L2-14399-00-00	.GASKET	2	(25MH)
25	97980-04112-00	.SCREW, WITH WASHER	2	(25MH)
26	6L2-14398-00-00	.GASKET	2	(25MH)

25MSHZ 2001 / REPAIR KIT 2



©2014 Yamaha Motor Corporation, U.S.A. All rights reserved.




## Part List

25MSHZ 2001 / REPAIR KIT 2

REF - NO	PART NUMBER	PART NAME	QUANTITY	REMARKS
1	6L2-W0001-C3-00	LOWER UNITGASKETKIT	1	(25MH)
2	6L2-41134-00-00	.GASKET, EXHAUST MANIFOLD	1	(25MH)
3	90430-08020-00	.GASKET	2	(25MH)
4	93210-45161-00	.O-RING	1	(25MH)
5	6L2-44367-00-00	.DAMPER, WATER SEAL 3	1	(25MH)
6	93101-20048-00	.OIL SEAL	2	(25MH)
7	6L2-45315-A0-00	.PACKING, LOWER CASING	1	(25MH)
8	93210-60MA3-00	.O-RING	1	(25MH)
9	93101-20M07-00	.OIL SEAL	2	(25MH)
10	93210-60M99-00	.O-RING	1	(25MH)
11	6L2-W0078-00-00	WATER PUMP REPAIR KIT	1	(25MH)
12	6L2-44323-00-00	.OUTER PLATE, CARTRIDGE	1	(25MH)
13	93210-45161-00	.O-RING	1	(25MH)
14	6L2-44352-00-00	.IMPELLER	1	(25MH)
15	6L2-44322-00-00	.INSERT, CARTRIDGE	1	(25MH)
16	97095-06040-00	.BOLT	4	(25MH)
17	90280-03024-00	.KEY, WOODRUFF	1	(25MH)

## Part Notes

25MSHZ 2001 / REPAIR KIT 2

PART NUMBER	NOTE TEXT
90430-08020-00 	OEM: This part number is among the Top 100 Most Popular Marine Maintenance Parts as of March 2014.

©2014 Yamaha Motor Corporation, U.S.A. All rights reserved.

©2014 Yamaha Motor Corporation, U.S.A. All rights reserved.