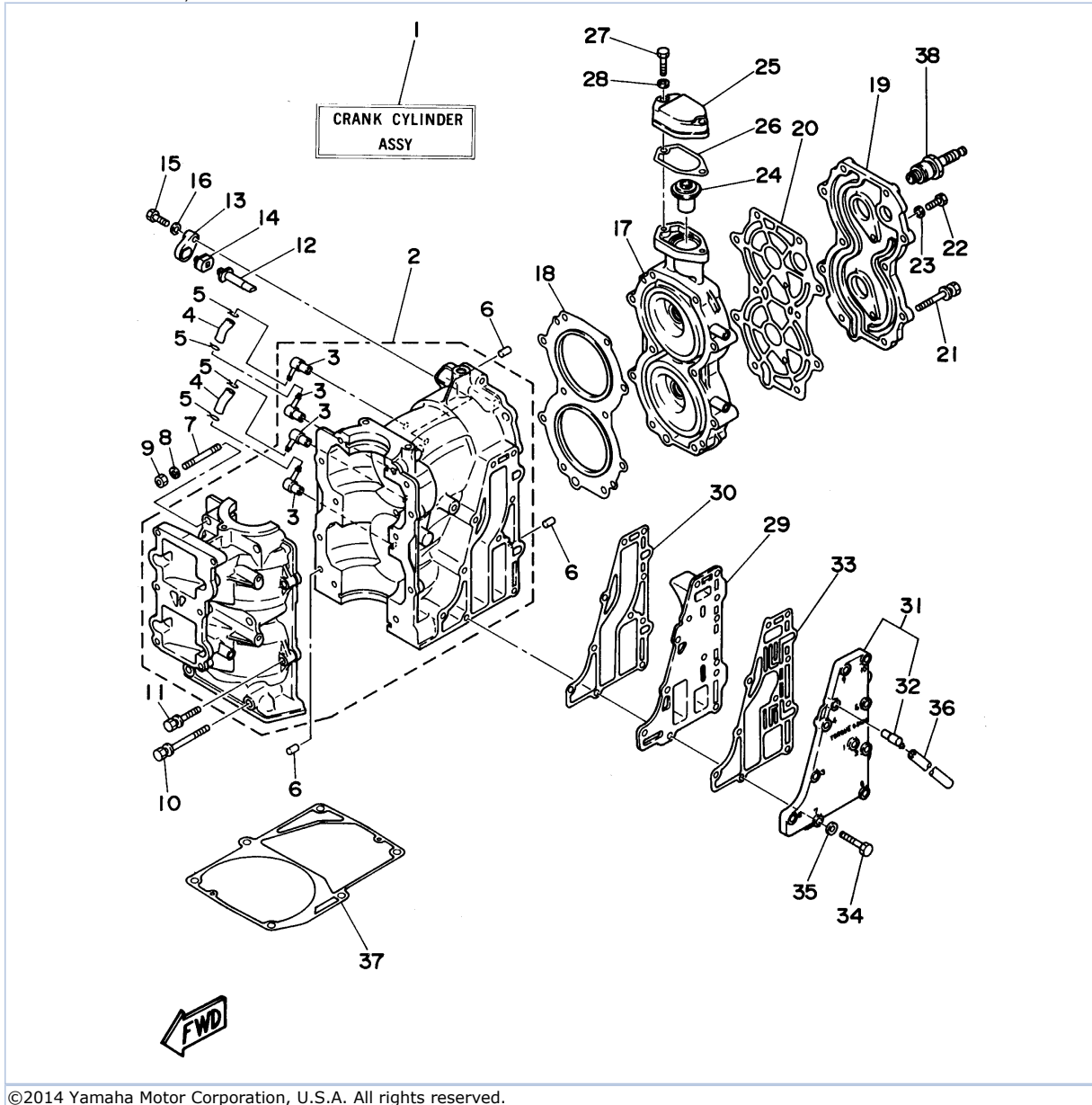


25MSHU 1996 / CYLINDER CRANKCASE



©2014 Yamaha Motor Corporation, U.S.A. All rights reserved.






Part List

25MSHU 1996 / CYLINDER CRANKCASE

| REF - NO | PART NUMBER | PART NAME | QUANTITY | REMARKS |
|----------|-----------------|------------------------------|----------|---------|
| 1 | 6L2-W0090-11-4D | CRANK CYLINDER ASSEMBLY | 1 | UR 25 |
| 1 | 6L2-W0090-03-4D | CRANK CYLINDER ASSY | 1 | UR 20 |
| 2 | 6L2-15100-00-94 | CRANKCASE ASSY | 1 | UR 20 |
| 2 | 6L2-15100-10-94 | CRANKCASE ASSEMBLY | 1 | UR 25 |
| 3 | 6E5-11372-00-00 | .NIPPLE, HOSE | 4 | |
| 4 | 90445-07M15-00 | HOSE (L40) | 2 | |
| 5 | 90467-06016-00 | CLIP | 4 | |
| 6 | 93604-10M03-00 | PIN, DOWEL | 4 | |
| 7 | 95617-08645-00 | BOLT, STUD | 2 | |
| 8 | 90201-08086-00 | WASHER, PLATE | 2 | |
| 9 | 95333-08600-00 | NUT | 2 | |
| 10 | 90119-08M21-00 | BOLT, WITH WASHER | 4 | |
| 11 | 90119-06M14-00 | BOLT, WITH WASHER | 4 | |
| 12 | 6J8-11325-00-00 | ANODE | 1 | |
| 13 | 6H3-11327-00-94 | COVER, ANODE | 1 | |
| 14 | 6H3-11328-00-00 | GROMMET, ANODE | 1 | |
| 15 | 97095-06016-00 | BOLT | 1 | |
| 16 | 92990-06600-00 | WASHER, PLATE | 1 | |
| 17 | 6L2-11111-01-94 | HEAD, CYLINDER 1 | 1 | |
| 18 | 6L2-11181-A1-00 | GASKET, CYLINDER HEAD 1 | 1 | |
| 19 | 6L2-11191-00-9M | COVER, CYLINDER HEAD 1 | 1 | |
| 20 | 6L2-11193-A1-00 | .GASKET, HEAD COVER 1 | 1 | |
| 21 | 90119-08M20-00 | BOLT, WITH WASHER | 10 | |
| 22 | 97095-06016-00 | BOLT | 2 | |
| 23 | 92990-06600-00 | WASHER, PLATE | 2 | |
| 24 | 6E5-12411-20-00 | THERMOSTAT | 1 | |
| 25 | 6H4-12413-00-9M | COVER, THERMOSTAT | 1 | |
| 26 | 61A-12414-A0-00 | .GASKET, COVER | 1 | |
| 27 | 97095-06025-00 | BOLT | 2 | |
| 28 | 92990-06600-00 | WASHER, PLATE | 2 | |
| 29 | 6L2-41111-00-9M | INNER COVER, EXHAUST | 1 | |
| 30 | 6L2-41112-A1-00 | .GASKET, EXHAUST INNER COVER | 1 | |
| 31 | 6L2-41113-00-9M | OUTER COVER, EXHAUST | 1 | |
| 32 | 676-11372-00-00 | .NIPPLE, HOSE | 1 | |
| 33 | 6L2-41114-A1-00 | .GASKET, EXHAUST OUTER COVER | 1 | |
| 34 | 97095-06030-00 | BOLT | 10 | |
| 35 | 92990-06600-00 | WASHER, PLATE | 10 | |
| 36 | 90445-10M40-00 | HOSE (L330) | 1 | |
| 37 | 6L2-45113-A1-00 | .GASKET, UPPER CASING | 1 | |
| 38 | NGK-B7HS1-00-00 | PLUG, SPARK (NGK B7HS-10) | 2 | |

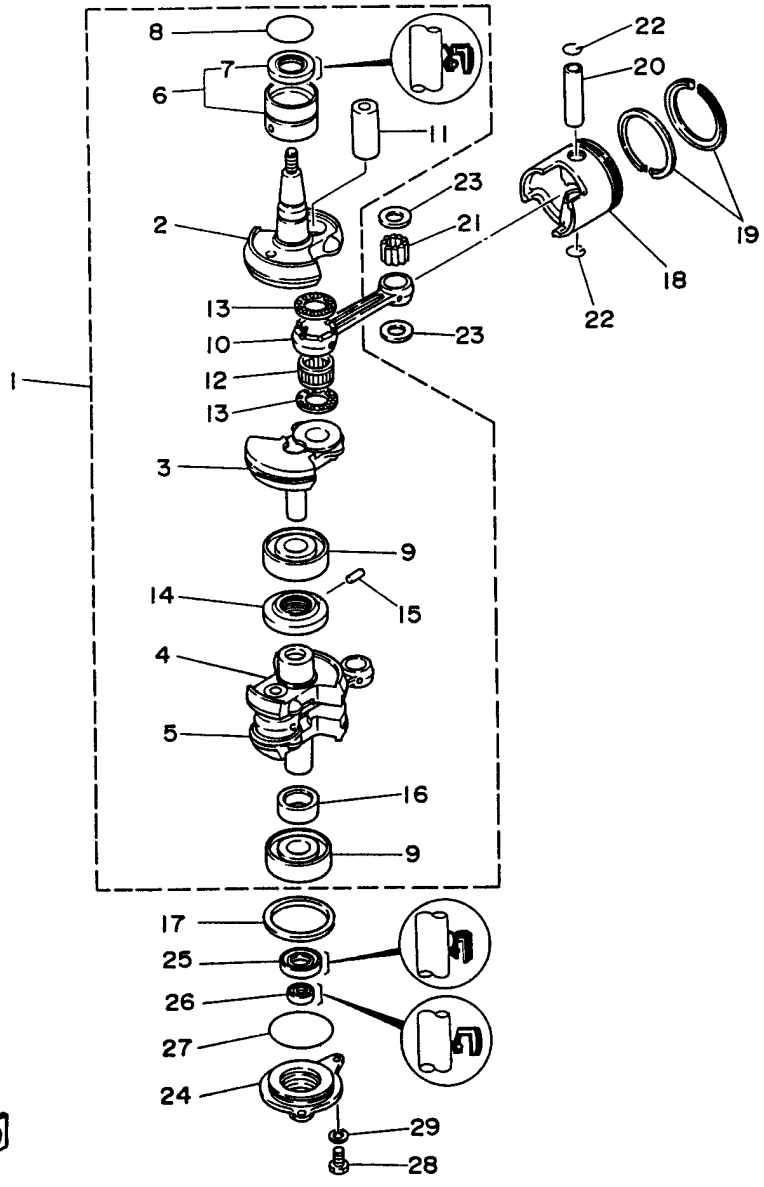
Part Notes

25MSHU 1996 / CYLINDER CRANKCASE

| PART NUMBER | | NOTE TEXT |
|-----------------|---|--|
| 92990-06600-00 |  | OEM: This part number is among the Top 100 Most Popular Marine Maintenance Parts as of March 2014. |
| 92990-06600-00 |  | OEM: This part number is among the Top 100 Most Popular Marine Maintenance Parts as of March 2014. |
| 61A-12414-A0-00 |  | OEM: This part number is among the Top 100 Most Popular Marine Maintenance Parts as of March 2014. |
| 92990-06600-00 |  | OEM: This part number is among the Top 100 Most Popular Marine Maintenance Parts as of March 2014. |
| 92990-06600-00 |  | OEM: This part number is among the Top 100 Most Popular Marine Maintenance Parts as of March 2014. |

©2014 Yamaha Motor Corporation, U.S.A. All rights reserved.

25MSHU 1996 / CRANKSHAFT PISTON



©2014 Yamaha Motor Corporation, U.S.A. All rights reserved.


Part List

25MSHU 1996 / CRANKSHAFT PISTON

| REF - NO | PART NUMBER | PART NAME | QUANTITY | REMARKS |
|----------|-----------------|------------------------------|----------|---------|
| 1 | 6L2-11400-10-00 | CRANKSHAFT ASSEMBLY | 1 | UR 25 |
| 1 | 6L2-11400-00-00 | CRANKSHAFT ASSY | 1 | UR 20 |
| 2 | [6L-21141-20-00 | .CRANK 1 | 1 | |
| 3 | [6L-21142-20-00 | .CRANK 2 | 1 | |
| 4 | [6L-21143-20-00 | .CRANK 3 | 1 | |
| 5 | [6L-21144-20-00 | .CRANK 4 | 1 | |
| 6 | 93311-632U7-00 | .BEARING | 1 | |
| 7 | 93102-26M27-00 | ..OIL SEAL | 1 | |
| 8 | 93210-42159-00 | .O-RING | 1 | |
| 9 | 93306-305U3-00 | .BEARING | 2 | |
| 10 | [6L-21165-10-00 | .ROD, CONNECTING | 2 | |
| 11 | [6L-21168-10-00 | .PIN, CRANK 1 | 2 | |
| 12 | [93-31042-4W-90 | .BEARING, CYLINDRICAL | 2 | |
| 13 | [90-20924-M1-50 | .WASHER | 4 | |
| 14 | [6L-21151-50-00 | .SEAL, LABYRINTH 1 | 1 | |
| 15 | [91-69030-01-00 | .PIN, SPRING | 1 | |
| 16 | 6J8-11445-00-00 | .SPACER | 1 | UR 20 |
| 16 | 6J8-11536-00-00 | .GEAR, DRIVE | 1 | UR 25 |
| 17 | 90201-50306-00 | WASHER, PLATE | 1 | |
| 18 | 6L2-11636-00-00 | PISTON (0.50MM O/S) | 2 | AP |
| 18 | 6L2-11635-00-00 | PISTON (0.25MM O/S) | 2 | |
| 18 | 6L2-11631-00-97 | PISTON (STD) | 2 | |
| 19 | 6L2-11610-10-00 | PISTON RING SET (0.25MM O/S) | 2 | AP |
| 19 | 6L2-11610-20-00 | PISTON RING SET (0.50MM O/S) | 2 | AP |
| 19 | 6L2-11610-00-00 | PISTON RING SET (STD) | 2 | |
| 20 | 648-11633-00-00 | PIN, PISTON | 2 | |
| 21 | 93602-18M12-00 | PIN, DOWEL | 62 | |
| 22 | 93450-20026-00 | CIRCLIP | 4 | |
| 23 | 90201-18522-00 | WASHER, PLATE | 4 | |
| 24 | 6L2-15396-00-5B | HOUSING, OIL SEAL | 1 | |
| 25 | 93102-25142-00 | .OIL SEAL | 1 | |
| 26 | 93101-13M37-00 | .OIL SEAL | 1 | |
| 27 | 93210-56M80-00 | .O-RING | 1 | |
| 28 | 97095-06016-00 | BOLT | 2 | |
| 29 | 92990-06600-00 | WASHER, PLATE | 2 | |

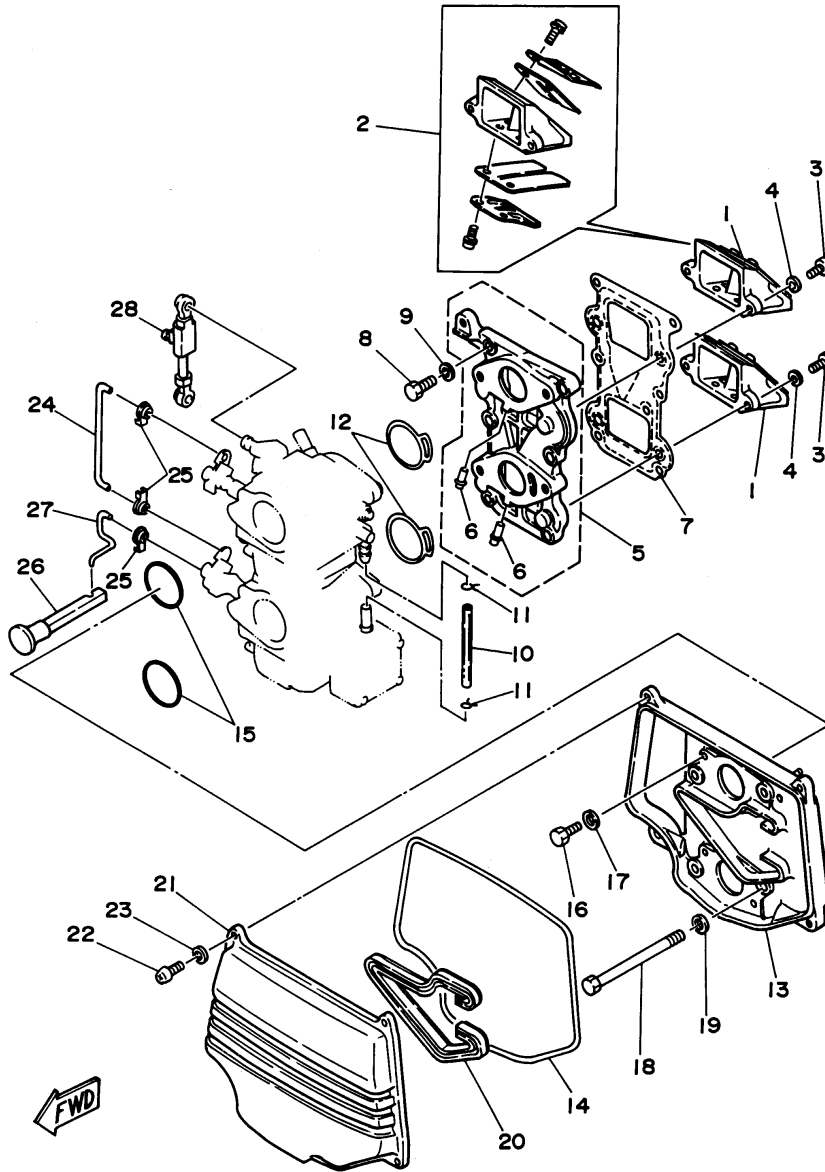
Part Notes

25MSHU 1996 / CRANKSHAFT PISTON

| PART NUMBER | NOTE TEXT |
|--|--|
| 92990-06600-00  | OEM: This part number is among the Top 100 Most Popular Marine Maintenance Parts as of March 2014. |

©2014 Yamaha Motor Corporation, U.S.A. All rights reserved.

25MSHU 1996 / INTAKE



©2014 Yamaha Motor Corporation, U.S.A. All rights reserved.



Part List

25MSHU 1996 / INTAKE

| REF - NO | PART NUMBER | PART NAME | QUANTITY | REMARKS |
|----------|-----------------|---------------------|----------|---------|
| 1 | 6L2-13610-00-00 | REED VALVE ASSY | 2 | |
| 2 | 6L2-W0004-00-00 | .REED SET | 1 | |
| 3 | 98580-05016-00 | SCREW, PAN HEAD | 4 | |
| 4 | 92990-05600-00 | WASHER, PLATE | 4 | |
| 5 | 6L2-13641-10-94 | MANIFOLD 1 | 1 | UR 25 |
| 5 | 6L2-13641-00-94 | MANIFOLD 1 | 1 | UR 20 |
| 6 | 676-14485-00-00 | .PIPE, JOINT | 2 | 25 |
| 7 | 6L2-13621-00-00 | .GASKET, VALVE SEAT | 1 | |
| 8 | 97095-06025-00 | BOLT | 6 | |
| 9 | 92990-06600-00 | WASHER, PLATE | 6 | |
| 10 | 90445-09012-00 | HOSE (L70) | 1 | |
| 11 | 90467-08004-00 | CLIP | 2 | |
| 12 | 6L2-14198-00-00 | .GASKET | 2 | |
| 13 | 6L2-14417-00-94 | COVER 1 | 1 | |
| 14 | 6L2-14476-00-00 | SEAL | 1 | |
| 15 | 93210-35M86-00 | .O-RING | 2 | |
| 16 | 97313-05012-00 | BOLT, HEXAGON | 4 | |
| 17 | 92990-05600-00 | WASHER, PLATE | 4 | |
| 18 | 97390-06085-00 | BOLT | 4 | |
| 19 | 92990-06600-00 | WASHER, PLATE | 4 | |
| 20 | 6L2-14476-11-00 | SEAL | 1 | |
| 21 | 6L2-14418-00-00 | COVER 2 | 1 | |
| 22 | 98580-05016-00 | SCREW, PAN HEAD | 4 | |
| 23 | 92990-05600-00 | WASHER, PLATE | 4 | |
| 24 | 6J8-41259-00-00 | ROD, CHOKE 3 | 1 | |
| 25 | 661-41262-02-00 | JOINT, CHOKE LEVER | 3 | |
| 26 | 6J8-41271-01-00 | KNOB, CHOKE | 1 | |
| 27 | 6L2-41257-00-00 | ROD, CHOKE 2 | 1 | |
| 28 | 6L2-41217-00-00 | ROD, ACCEL. LEVER | 1 | |

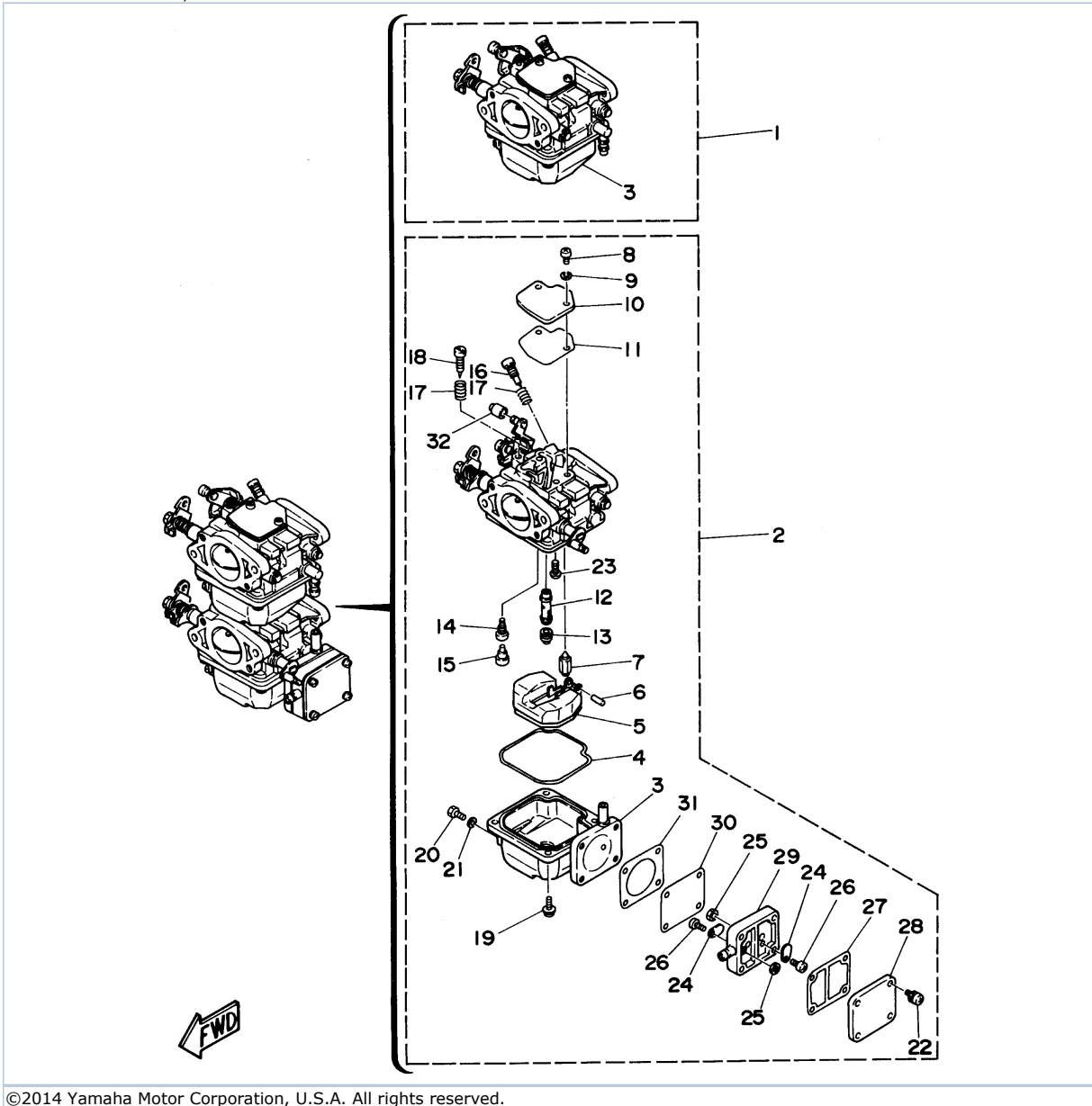
Part Notes

25MSHU 1996 / INTAKE

| PART NUMBER | | NOTE TEXT |
|----------------|---|--|
| 92990-06600-00 |  | OEM: This part number is among the Top 100 Most Popular Marine Maintenance Parts as of March 2014. |
| 92990-06600-00 |  | OEM: This part number is among the Top 100 Most Popular Marine Maintenance Parts as of March 2014. |

©2014 Yamaha Motor Corporation, U.S.A. All rights reserved.

25MSHU 1996 / CARBURETOR



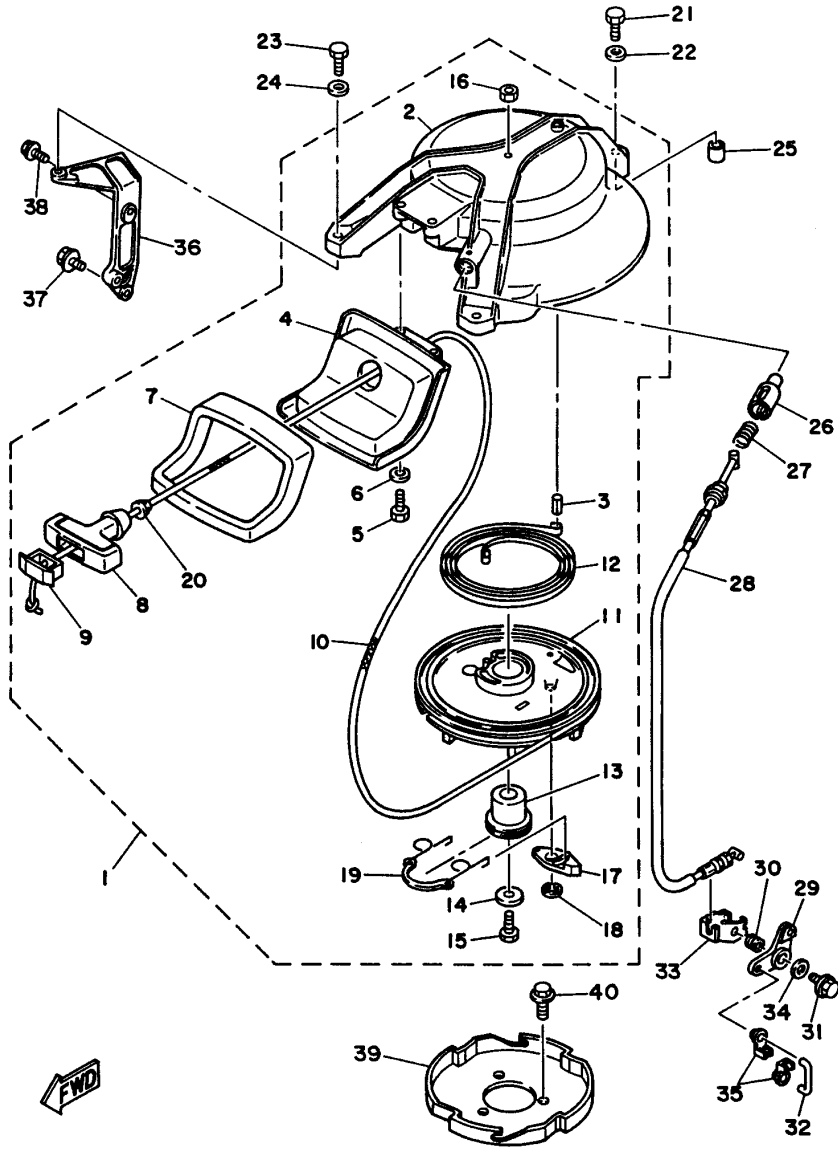
©2014 Yamaha Motor Corporation, U.S.A. All rights reserved.

Part List

25MSHU 1996 / CARBURETOR

| REF - NO | PART NUMBER | PART NAME | QUANTITY | REMARKS |
|----------------|-----------------|--------------------------|----------|----------|
| 1 | 6L2-14301-01-00 | CARBURETOR ASSY 1 | 1 | UR UPPER |
| 1 | 6L3-14301-00-00 | CARBURETOR ASSEMBLY 1 | 1 | UR UPPER |
| 2 | 6L3-14302-00-00 | CARBURETOR ASSEMBLY 2 | 1 | UR LOWER |
| 2 | 6L2-14302-01-00 | CARBURETOR ASSY 2 | 1 | UR LOWER |
| 3 | 6L2-14381-00-00 | .BODY, FLOAT CHAMBER 1 | 1 | UR UPPER |
| 3 | 6L2-14383-00-00 | .SCREW, DRAIN | 1 | UR LOWER |
| 4 | 6L2-14384-00-00 | .GASKET, FLOAT CHAMBER | 2 | |
| 5 | 6L2-14385-00-00 | .FLOAT | 2 | |
| 6 | 6E5-14386-01-00 | .PIN, FLOAT | 2 | |
| 7 | 6L2-14392-00-00 | .VALVE | 2 | |
| 8 | 98580-04010-00 | .SCREW, PAN HEAD | 4 | |
| 9 | 92990-04100-00 | .WASHER, SPRING | 4 | |
| 10 | 6L2-14157-00-00 | .COVER, MIXING | 2 | |
| 11 | 6L2-14399-00-00 | .GASKET | 2 | |
| 12 | 6L2-14341-00-00 | .NOZZLE, MAIN | 2 | |
| 13 | 30X-14343-63-00 | .JET, MAIN (125) | 2 | |
| 14 | 6L2-14342-30-00 | .JET, PILOT (60) | 2 | |
| 15 | 50M-14355-00-00 | .PLUG | 2 | |
| 16 | 6L2-14323-00-00 | .SCREW, AIR ADJUSTING | 2 | |
| 17 | 646-14212-01-00 | .SPRING, PILOT ADJUSTING | 4 | |
| 18 | 664-14321-01-00 | .SCREW, THROTTLE | 2 | |
| 19 | 97980-04112-00 | .SCREW, WITH WASHER | 8 | |
| 20 | 677-14383-01-00 | .SCREW, DRAIN | 2 | |
| 21 | 6L2-14398-00-00 | .GASKET | 2 | |
| 22 | 677-24444-01-00 | .SCREW | 4 | |
| 23 | 98980-04006-00 | .SCREW, BIND | 2 | |
| 24 | 6A0-24421-01-00 | .VALVE, CHECK | 2 | |
| 25 | 95380-03600-00 | .NUT | 2 | |
| 26 | 6E7-14325-00-00 | .SCREW, PAN HEAD | 2 | |
| 27 | 6L2-24435-00-00 | .GASKET, BODY 2 | 1 | |
| 28 | 6L2-24413-00-00 | .BODY 2 | 1 | |
| 29 | 682-24412-00-00 | .BODY 1 | 1 | |
| 30 | 677-24411-02-00 | .DIAPHRAGM | 1 | |
| 31 | 677-24434-02-00 | .GASKET, BODY | 1 | |
| 32 | 6L2-14578-00-00 | .COLLAR | 1 | LOWER |

25MSHU 1996 / STARTER



©2014 Yamaha Motor Corporation, U.S.A. All rights reserved.




Part List

25MSHU 1996 / STARTER

| REF - NO | PART NUMBER | PART NAME | QUANTITY | REMARKS |
|----------|-----------------|---------------------------|----------|---------|
| 1 | 6L2-15710-01-00 | STARTER ASSEMBLY | 1 | |
| 2 | 6L2-15711-00-94 | .CASE, STARTER | 1 | |
| 3 | 91690-40014-00 | .PIN, SPRING | 1 | |
| 4 | 6L2-15758-00-94 | .GUIDE, ROPE | 1 | |
| 5 | 97095-06016-00 | .BOLT | 2 | |
| 6 | 92990-06600-00 | .WASHER, PLATE | 2 | |
| 7 | 6L2-15762-00-00 | .SEAL, RUBBER 2 | 1 | |
| 8 | 689-15755-01-00 | .HANDLE, STARTER | 1 | |
| 9 | 6F5-15779-02-00 | .COVER | 1 | |
| 10 | 90580-50M01-00 | .ROPE, STARTER | 1 | |
| 11 | 6J8-15714-00-00 | .DRUM, SHEAVE | 1 | |
| 12 | 90510-08M04-00 | .SPRING, SPIRAL | 1 | |
| 13 | 677-15717-01-00 | .SHAFT, STARTER | 1 | |
| 14 | 90201-065F3-00 | .WASHER, PLATE | 1 | |
| 15 | 97095-06025-00 | .BOLT | 1 | |
| 16 | 95380-06700-00 | .NUT | 1 | |
| 17 | 676-15741-03-00 | .PAWL, DRIVE | 1 | |
| 18 | 93430-06M02-00 | .CIRCLIP | 1 | |
| 19 | 6J8-15705-00-00 | .SPRING, DRIVE PAWL | 1 | |
| 20 | 6A0-15789-00-00 | .DAMPER | 1 | |
| 21 | 97095-06035-00 | BOLT | 1 | |
| 22 | 92990-06600-00 | WASHER, PLATE | 1 | |
| 23 | 97095-06025-00 | BOLT | 2 | |
| 24 | 92990-06600-00 | WASHER, PLATE | 2 | |
| 25 | 99530-10014-00 | PIN, DOWEL | 1 | |
| 26 | 656-15748-00-00 | PLUNGER, STARTER STOP | 1 | |
| 27 | 90501-10227-00 | SPRING, COMPRESSION | 1 | |
| 28 | 6L2-15770-00-00 | CABLE COMP., STARTER STOP | 1 | |
| 29 | 6L2-15746-00-00 | ARM | 1 | |
| 30 | 90387-06M51-00 | COLLAR | 1 | |
| 31 | 97595-06420-00 | BOLT, WITH WASHER | 1 | |
| 32 | 6L2-15747-00-00 | LINK | 1 | |
| 33 | 6L2-15774-00-00 | STAY 4 | 1 | |
| 34 | 90201-06M62-00 | WASHER, PLATE | 1 | |
| 35 | 661-41262-02-00 | JOINT, CHOKE LEVER | 2 | |
| 36 | 6L2-15772-00-94 | STAY 2 | 1 | |
| 37 | 97595-06520-00 | BOLT, WITH WASHER | 1 | |
| 38 | 97095-06020-00 | BOLT | 1 | |
| 39 | 6L2-15723-01-00 | PULLEY, STARTER | 1 | |
| 40 | 90105-08M10-00 | BOLT, FLANGE | 3 | |

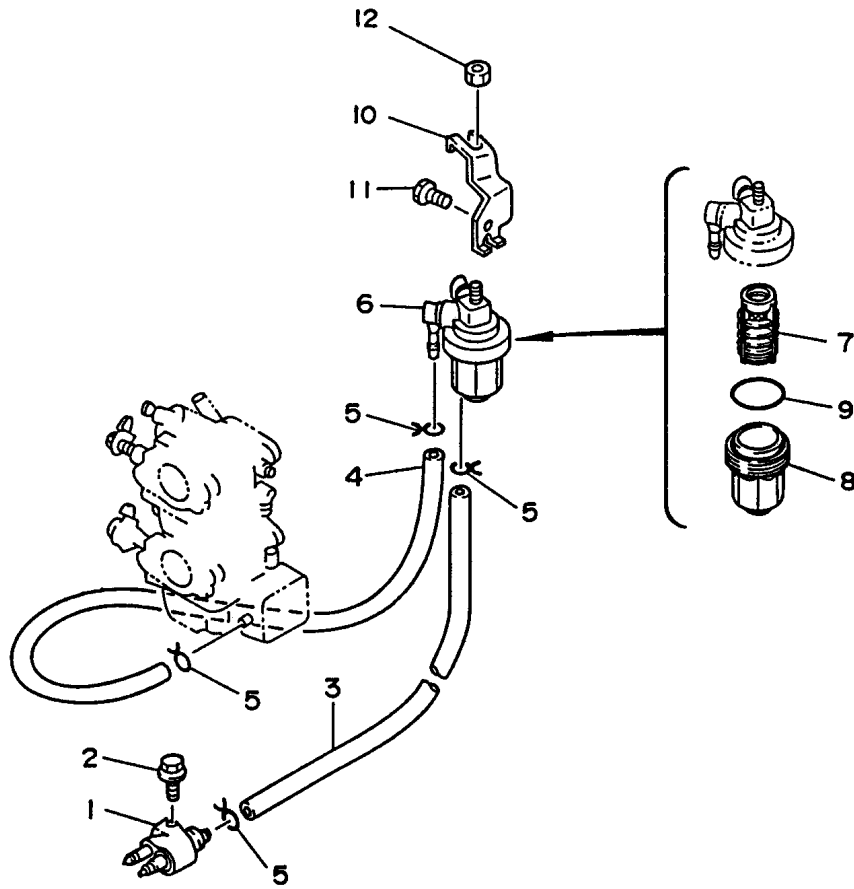
Part Notes

25MSHU 1996 / STARTER

| PART NUMBER | | NOTE TEXT |
|----------------|---|--|
| 92990-06600-00 |  | OEM: This part number is among the Top 100 Most Popular Marine Maintenance Parts as of March 2014. |
| 92990-06600-00 |  | OEM: This part number is among the Top 100 Most Popular Marine Maintenance Parts as of March 2014. |
| 92990-06600-00 |  | OEM: This part number is among the Top 100 Most Popular Marine Maintenance Parts as of March 2014. |

©2014 Yamaha Motor Corporation, U.S.A. All rights reserved.

25MSHU 1996 / FUEL



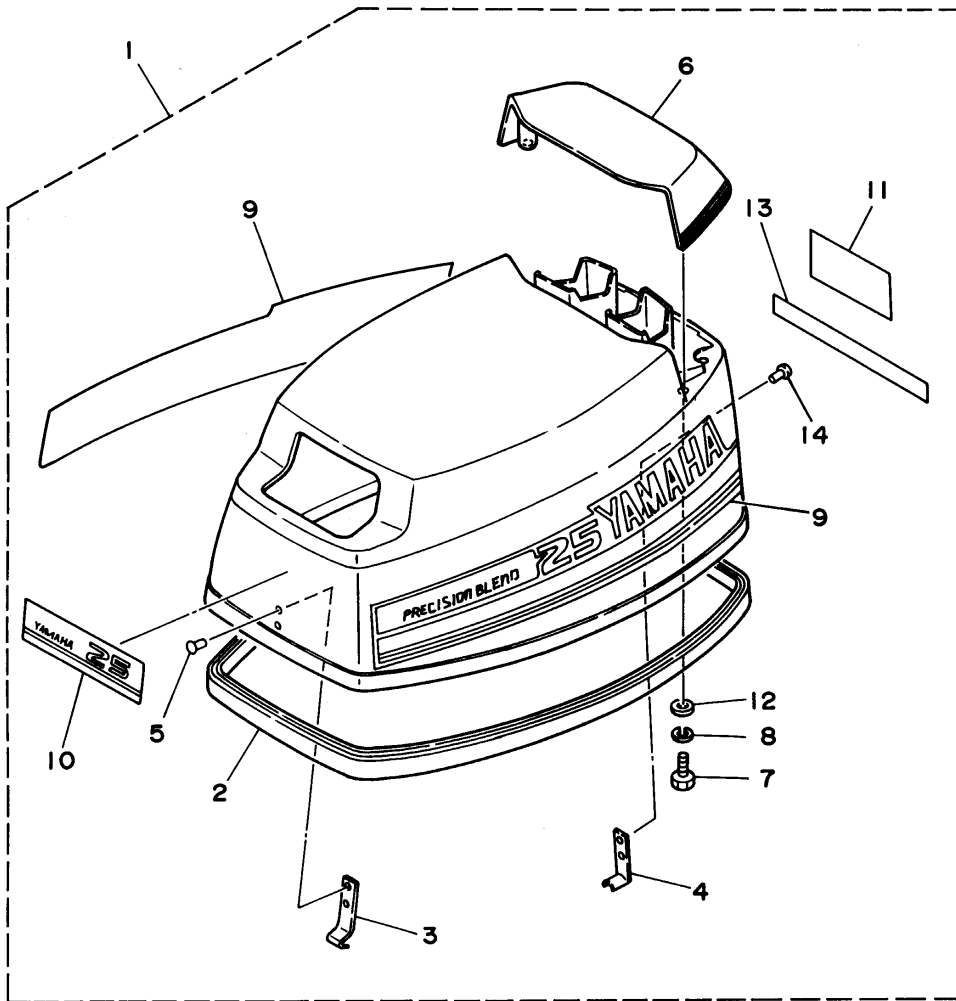
©2014 Yamaha Motor Corporation, U.S.A. All rights reserved.

Part List

25MSHU 1996 / FUEL

| REF - NO | PART NUMBER | PART NAME | QUANTITY | REMARKS |
|----------------|-----------------|-------------------------|----------|---------|
| 1 | 6G1-24304-02-00 | FUEL PIPE JOINT COMP. 1 | 1 | |
| 2 | 97595-06520-00 | BOLT, WITH WASHER | 1 | |
| 3 | 6H4-24311-00-00 | PIPE, FUEL 1 | 1 | |
| 4 | 90445-09M25-00 | HOSE (L600) | 1 | |
| 5 | 90467-08004-00 | CLIP | 4 | |
| 6 | 61N-24560-00-00 | FILTER ASSY | 1 | |
| 7 | 61N-24563-00-00 | .ELEMENT, FILTER | 1 | |
| 8 | 61N-24521-00-00 | .CUP, FILTER | 1 | |
| 9 | 93210-32738-00 | .O-RING | 1 | |
| 10 | 6L2-24566-00-00 | BRACKET, FILTER | 1 | |
| 11 | 97395-06014-00 | BOLT | 1 | |
| 12 | 95380-08600-00 | NUT | 1 | |

25MSHU 1996 / TOP COWLING



©2014 Yamaha Motor Corporation, U.S.A. All rights reserved.


Part List

25MSHU 1996 / TOP COWLING

| REF - NO | PART NUMBER | PART NAME | QUANTITY | REMARKS |
|----------------|-----------------|------------------------------|----------|---------|
| 1 | 6L2-42610-21-4D | TOP COWLING ASSEMBLY (25) | 1 | UR 25 |
| 1 | 6L3-42610-11-4D | TOP COWLING ASSEMBLY (20) | 1 | UR 20 |
| 2 | 6L2-42615-00-00 | .SEAL | 1 | |
| 3 | 6G1-42651-71-00 | .HOOK | 1 | |
| 4 | 6L2-42647-00-00 | .HOLDER, CLAMP BAND | 1 | |
| 5 | 90266-04M00-00 | .RIVET | 2 | |
| 6 | 6L2-42613-00-4D | .MOLDING, AIR DUCT | 1 | |
| 7 | 97095-06016-00 | .BOLT | 4 | |
| 8 | 92990-06600-00 | .WASHER, PLATE | 4 | |
| 9 | 6L2-W0070-22-00 | .GRAPHIC SET | 1 | UR 25 |
| 9 | 6L3-W0070-11-00 | .GRAPHIC SET | 1 | UR 20 |
| 10 | 6L3-42677-10-00 | .GRAPHIC, FRONT | 1 | UR 20 |
| 10 | 6L2-42677-10-00 | .GRAPHIC, FRONT | 1 | UR 25 |
| 11 | 6L3-42678-10-00 | .GRAPHIC, REAR | 1 | UR 20 |
| 11 | 6L2-42678-10-00 | .GRAPHIC, REAR | 1 | UR 25 |
| 12 | 90202-05M38-00 | .WASHER, PLATE | 4 | |
| 13 | 6L2-4267A-10-00 | .GRAPHIC, REAR 2 | 1 | |
| 14 | 90266-04M04-00 | .RIVET | 2 | |

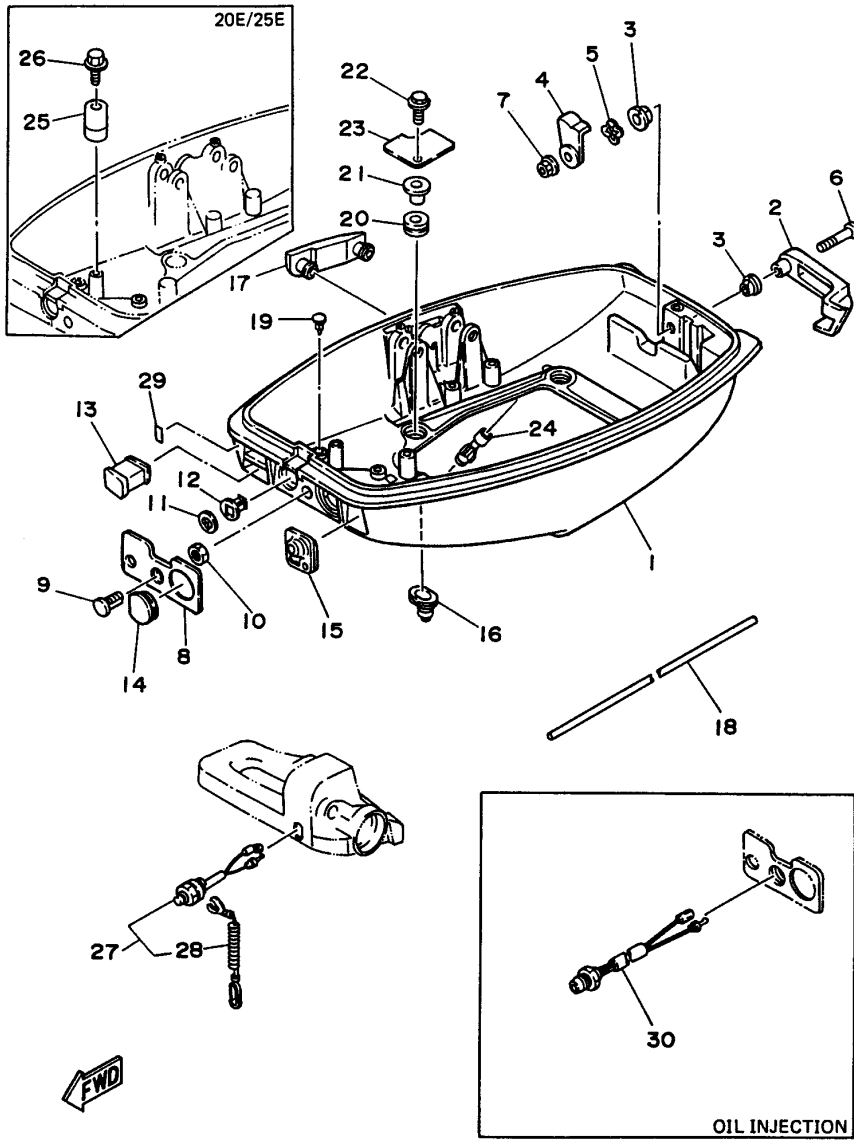
Part Notes

25MSHU 1996 / TOP COWLING

| PART NUMBER | NOTE TEXT |
|--|--|
| 92990-06600-00  | OEM: This part number is among the Top 100 Most Popular Marine Maintenance Parts as of March 2014. |

©2014 Yamaha Motor Corporation, U.S.A. All rights reserved.

25MSHU 1996 / BOTTOM COWLING



©2014 Yamaha Motor Corporation, U.S.A. All rights reserved.


Part List

25MSHU 1996 / BOTTOM COWLING

| REF - NO | PART NUMBER | PART NAME | QUANTITY | REMARKS |
|----------|-----------------|-----------------------------|----------|-----------------|
| 1 | 6L2-42711-02-4D | COWLING, BOTTOM | 1 | |
| 2 | 6L2-42815-00-4D | LEVER, CLAMP | 1 | |
| 3 | 90386-12M45-00 | BUSH | 2 | |
| 4 | 6L2-42816-00-00 | LEVER, CLAMP | 1 | |
| 5 | 90206-12052-00 | WASHER, WAVE | 1 | |
| 6 | 97880-06035-00 | SCREW, PAN HEAD | 1 | |
| 7 | 95780-06300-00 | NUT, FLANGE | 1 | |
| 8 | 6L2-42719-B0-00 | PANEL, FRONT LOWER | 1 | UR 25 |
| 8 | 6L2-42719-A0-00 | PANEL, FRONT LOWER | 1 | UR 25 |
| 8 | 6L2-42719-00-00 | PANEL, FRONT LOWER | 1 | UR 20 |
| 9 | 6L2-42724-00-00 | GROMMET | 1 | 20 |
| 10 | 90170-12M13-00 | NUT | 1 | 20 |
| 11 | 689-41273-00-00 | GROMMET | 1 | |
| 12 | 6J8-41274-00-00 | GROMMET 2 | 1 | |
| 13 | 6L2-42725-00-00 | GROMMET | 1 | UR 20MH/25MH |
| 13 | 6L2-42725-40-00 | GROMMET | 1 | UR 20EH/25EH |
| 13 | 6L2-42725-50-00 | GROMMET | 1 | UR 25ER |
| 14 | 6G1-42724-00-00 | GROMMET | 1 | 20MH/ 25MH/25ER |
| 15 | 6L2-42726-01-00 | GROMMET | 1 | |
| 16 | 6G1-42727-00-00 | GROMMET | 1 | |
| 17 | 6L2-42748-01-00 | GROMMET | 1 | 25MH/25EH |
| 18 | 6L2-42716-00-00 | RUBBER, SEAL 1 | 1 | |
| 19 | 90338-05M03-00 | PLUG | 2 | |
| 20 | 90480-15M31-00 | GROMMET | 4 | |
| 21 | 90387-06M52-00 | COLLAR | 4 | |
| 22 | 95895-06020-00 | BOLT, FLANGE | 4 | |
| 23 | 6L2-42738-01-00 | PLATE, FITTING | 2 | |
| 24 | 6H3-44391-01-00 | NIPPLE, HOSE | 1 | |
| 25 | 6E5-82588-00-00 | PLATE | 2 | 20E/25E |
| 26 | 95895-06016-00 | BOLT, FLANGE | 2 | 20E/25E |
| 27 | 689-82575-04-00 | ENGINE STOP SWITCH ASSY | 1 | 20/25M(E)H |
| 28 | 682-82556-00-00 | .LANYARD, STOP SWITCH | 1 | |
| 29 | 6A1-42792-01-00 | MARK (100:1) | 1 | 20 |
| 30 | 6J8-85410-00-00 | EMERGENCY SIGNAL LIGHT ASSY | 1 | 25 |

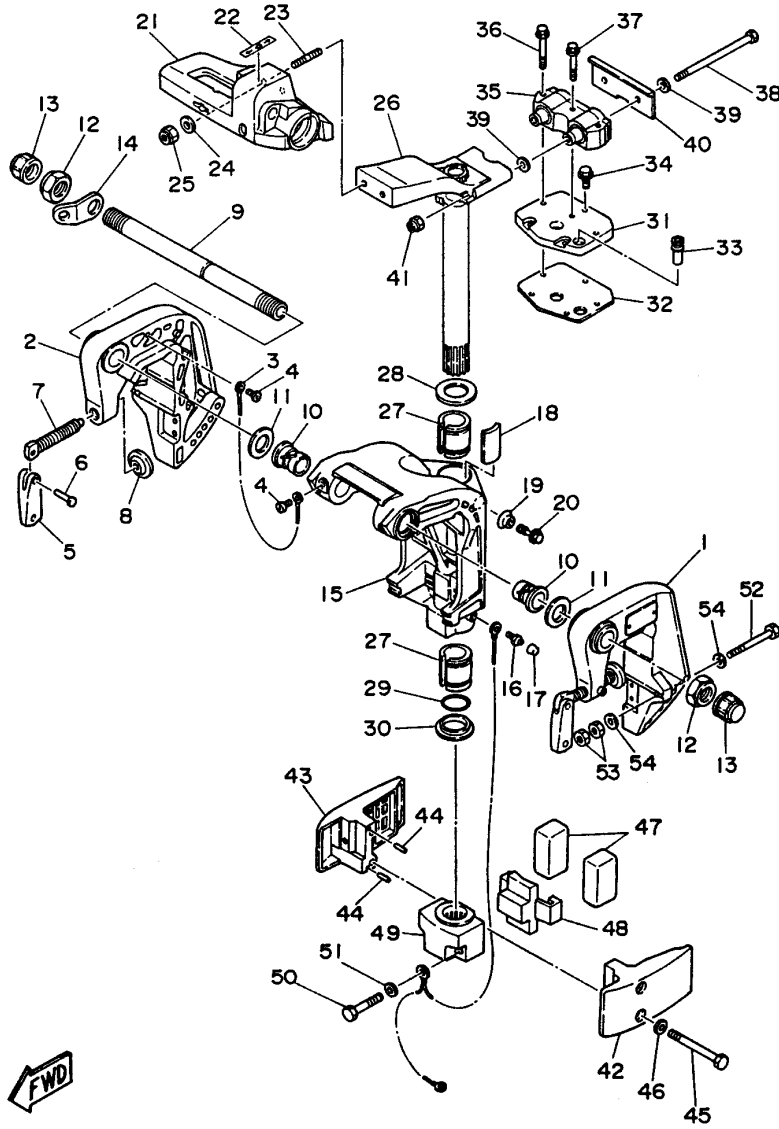
Part Notes

25MSHU 1996 / BOTTOM COWLING

| PART NUMBER | NOTE TEXT |
|---|--|
| 682-82556-00-00  | OEM: This part number is among the Top 100 Most Popular Marine Maintenance Parts as of March 2014. |

©2014 Yamaha Motor Corporation, U.S.A. All rights reserved.

25MSHU 1996 / BRACKET 1



©2014 Yamaha Motor Corporation, U.S.A. All rights reserved.


Part List

25MSHU 1996 / BRACKET 1

| REF - NO | PART NUMBER | PART NAME | QUANTITY | REMARKS |
|----------|-----------------|-----------------------------|----------|---------|
| 1 | 6L2-43111-03-4D | BRACKET, CLAMP | 1 | |
| 2 | 6L2-43112-04-4D | BRACKET, CLAMP | 1 | |
| 3 | 6E5-82148-00-00 | WIRE, LEAD 4 | 1 | |
| 4 | 97885-06008-00 | SCREW, PAN HEAD | 2 | |
| 5 | 616-43118-01-4D | HANDLE, TRANSOM CLAMP | 2 | |
| 6 | 90243-04M00-00 | PIN | 2 | |
| 7 | 6L2-43116-00-00 | SCREW, TRANSOM CLAMP | 2 | |
| 8 | 648-43114-01-00 | PAD, TRANSOM CLAMP | 2 | |
| 9 | 6J8-43131-01-00 | BOLT, CLAMP BRACKET | 1 | |
| 10 | 90386-22M67-00 | BUSH | 2 | |
| 11 | 90201-22M03-00 | WASHER, PLATE | 2 | |
| 12 | 90185-22M11-00 | NUT, SELF-LOCKING | 2 | |
| 13 | 6G5-43145-00-00 | CAP, CLAMP BRACKET | 2 | |
| 14 | 6J8-43113-01-00 | PLATE, CLAMP BRACKET | 1 | |
| 15 | 6L2-43311-04-4D | BRACKET, SWIVEL | 1 | |
| 16 | 93700-06M03-00 | NIPPLE, GREASE | 1 | |
| 17 | 663-45119-00-00 | CAP, GREASE NIPPLE | 1 | AP |
| 18 | 6H4-42528-00-00 | PLATE, FRICTION | 1 | |
| 19 | 689-43373-01-00 | SEAL, DAMPER | 1 | |
| 20 | 90105-06M18-00 | BOLT, FLANGE | 1 | |
| 21 | 6L2-42121-01-4D | BRACKET | 1 | |
| 22 | 6E0-44191-11-00 | INDICATOR, SHIFT | 1 | |
| 23 | 90116-10M28-00 | BOLT, STUD | 2 | |
| 24 | 92990-10600-00 | WASHER, PLATE | 2 | |
| 25 | 90185-10051-00 | NUT, SELF-LOCKING | 2 | |
| 26 | 6L2-42510-00-4D | STEERING BRACKET ASSEMBLY | 1 | |
| 27 | 90386-30M75-00 | BUSH | 2 | |
| 28 | 90201-30M00-00 | WASHER, PLATE | 1 | |
| 29 | 93210-29375-00 | .O-RING | 1 | |
| 30 | 90386-30M60-00 | BUSH | 1 | |
| 31 | 6L2-44512-00-4D | COVER, UPPER MOUNT | 1 | |
| 32 | 6L2-45114-A1-00 | GASKET, UPPER CASING | 1 | |
| 33 | 6L2-44365-00-00 | DAMPER, WATER SEAL | 1 | |
| 34 | 97595-06520-00 | BOLT, WITH WASHER | 3 | |
| 35 | 6L2-44514-00-00 | MOUNT DAMPER, UPPER SIDE | 1 | |
| 36 | 90119-06M04-00 | BOLT, WITH WASHER | 2 | |
| 37 | 90119-06M05-00 | BOLT, WITH WASHER | 1 | |
| 38 | 90101-08M09-00 | BOLT | 2 | |
| 39 | 90201-08M01-00 | .WASHER, PLATE | 4 | |
| 40 | 6L2-44526-00-00 | PLATE | 1 | |
| 41 | 95780-08300-00 | ..NUT, FLANGE | 2 | |
| 42 | 6L2-44551-00-4D | HOUSING, LOWER MOUNT RUBBER | 1 | |
| 43 | 6L2-44552-00-4D | HOUSING, LOWER MOUNT RUBBER | 1 | |
| 44 | 93604-10M03-00 | PIN, DOWEL | 2 | |
| 45 | 97095-08085-00 | BOLT | 2 | |
| 46 | 92990-08600-00 | ..WASHER, PLATE | 2 | |
| 47 | 6L2-44555-00-00 | MOUNT DAMPER, LOWER SIDE | 2 | |
| 48 | 6L2-44557-00-00 | MOUNT DAMPER, LOWER FRONT | 1 | |
| 49 | 6L2-44553-00-4D | COVER, LOWER MOUNT | 1 | |
| 50 | 97095-08045-00 | .BOLT | 2 | |
| 51 | 92990-08600-00 | ..WASHER, PLATE | 2 | |
| 52 | 97095-08070-00 | BOLT | 2 | |
| 53 | 95380-08600-00 | NUT | 4 | |
| 54 | 92990-08600-00 | ..WASHER, PLATE | 4 | |

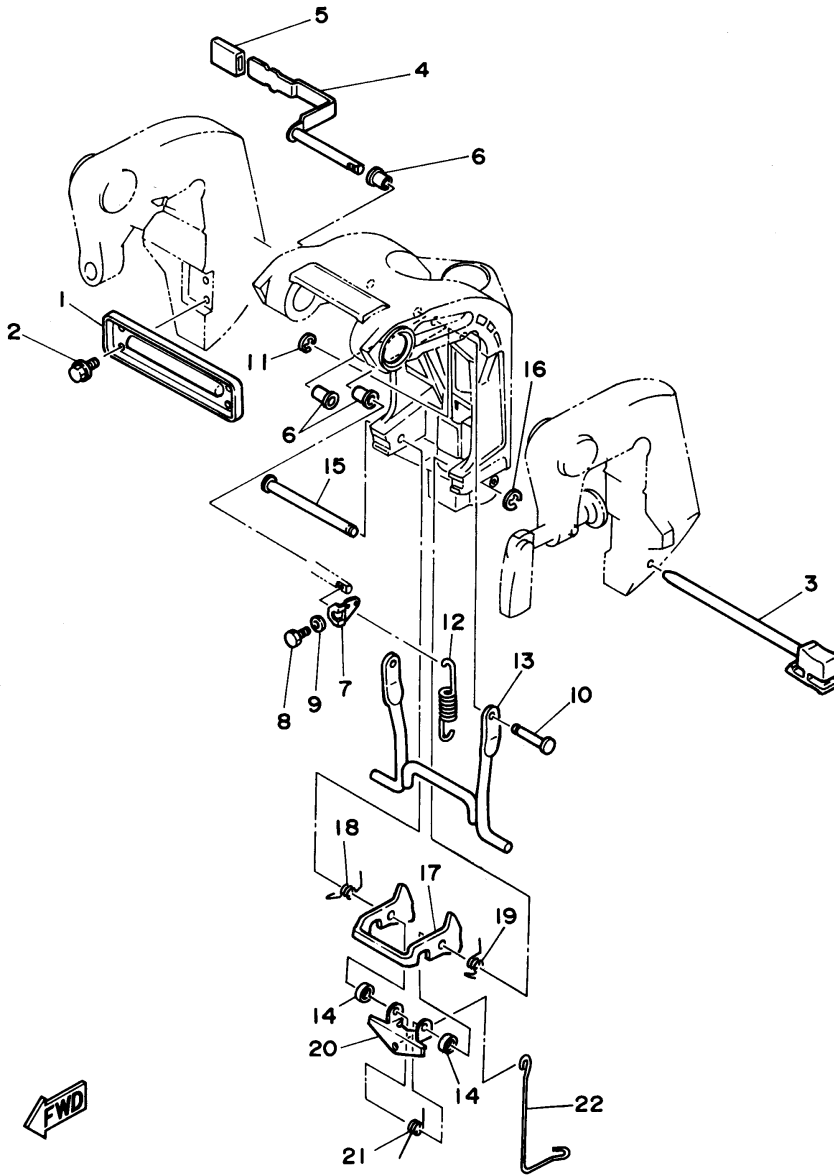
Part Notes

25MSHU 1996 / BRACKET 1

| PART NUMBER | | NOTE TEXT |
|----------------|---|--|
| 92990-10600-00 |  | OEM: This part number is among the Top 100 Most Popular Marine Maintenance Parts as of March 2014. |

©2014 Yamaha Motor Corporation, U.S.A. All rights reserved.

25MSHU 1996 / BRACKET 2



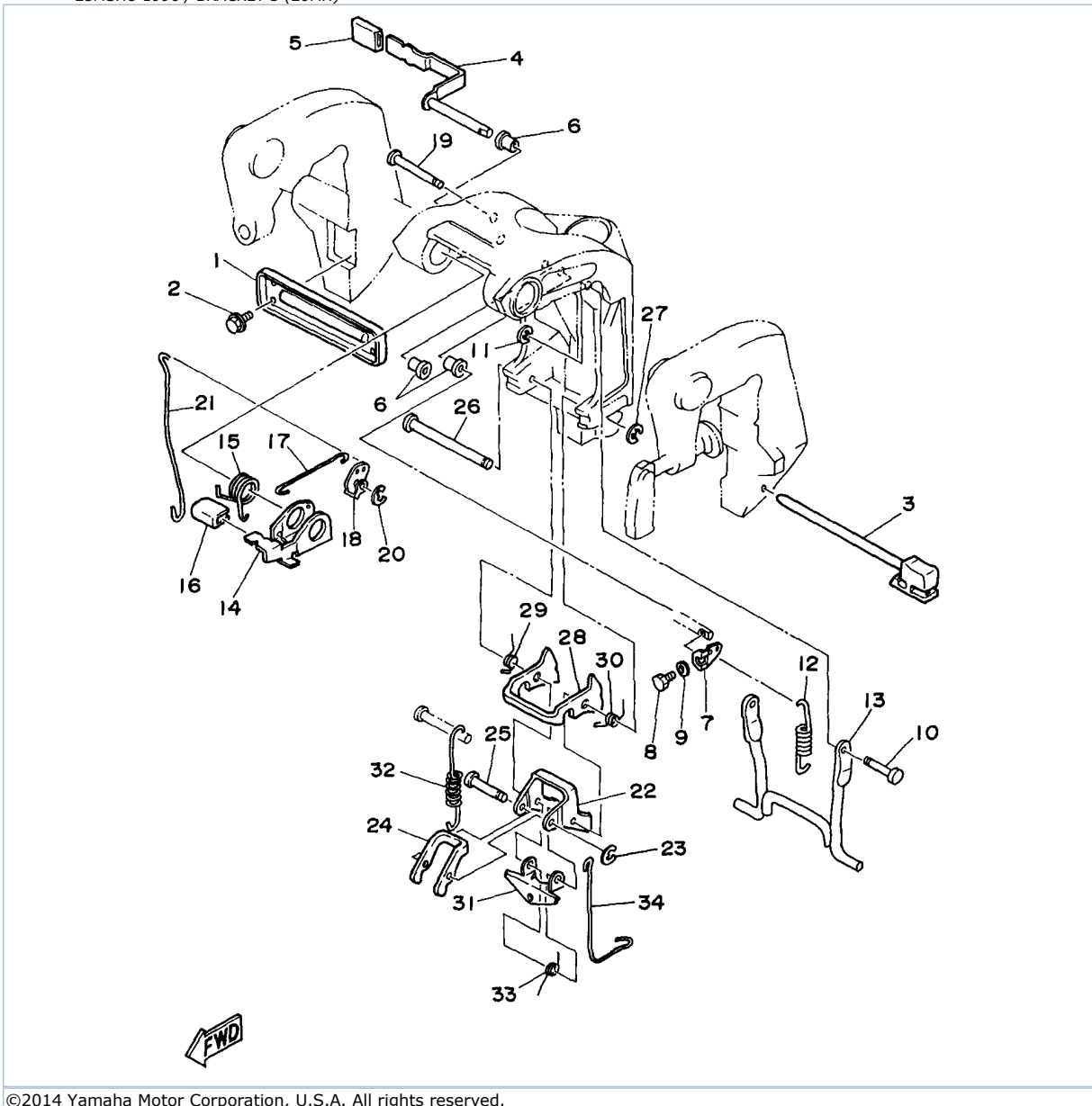
©2014 Yamaha Motor Corporation, U.S.A. All rights reserved.

Part List

25MSHU 1996 / BRACKET 2

| REF - NO | PART NUMBER | PART NAME | QUANTITY | REMARKS |
|----------------|-----------------|---------------------------------|----------|---------|
| 1 | 6L2-43165-01-00 | PLATE, TILT LOCK | 1 | |
| 2 | 97590-06510-00 | BOLT, WITH WASHER | 4 | |
| 3 | 6L2-43160-00-00 | TILT ROD ASSY | 1 | |
| 4 | 6L2-43630-01-00 | TILT LEVER ASSY | 1 | |
| 5 | 682-43318-01-00 | COVER | 1 | |
| 6 | 90386-08032-00 | BUSH | 3 | |
| 7 | 6L2-43682-01-00 | LEVER, SHALLOW WATER DRIVE 2 | 1 | |
| 8 | 97095-05010-00 | BOLT | 1 | |
| 9 | 92990-05600-00 | WASHER, PLATE | 1 | |
| 10 | 6L2-43191-01-00 | SHAFT, STOPPER | 1 | |
| 11 | 99080-05600-00 | CIRCLIP | 1 | |
| 12 | 90506-20M27-00 | SPRING, TENSION | 1 | |
| 13 | 6L2-43350-02-00 | RECEIVER ASSY | 1 | |
| 14 | 6G0-44365-00-00 | DAMPER, WATER SEAL | 2 | |
| 15 | 6J8-43611-01-00 | SHAFT, TILT LOCK | 1 | |
| 16 | 99080-05600-00 | CIRCLIP | 1 | |
| 17 | 6L2-43614-00-00 | PLATE, TILT LOCK | 1 | |
| 18 | 90508-12M28-00 | SPRING, TORSION | 1 | |
| 19 | 90508-12M29-00 | SPRING, TORSION | 1 | |
| 20 | 6L2-43615-00-00 | PLATE, TILT LOCK | 1 | |
| 21 | 6L2-43657-00-00 | SPRING, LOCK | 1 | |
| 22 | 6L2-43676-00-00 | HOOK | 1 | |

25MSHU 1996 / BRACKET 3 (20MH)



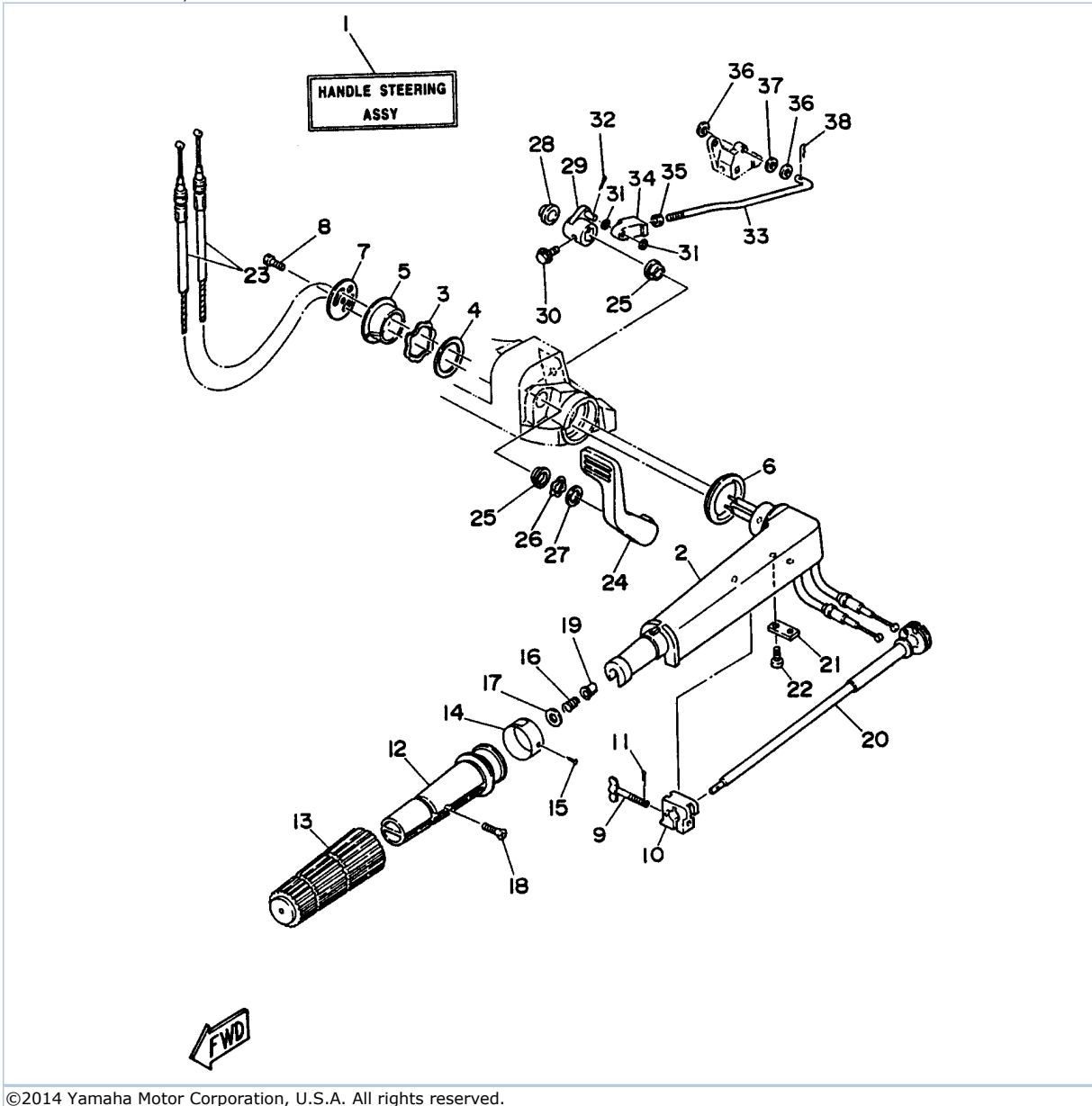
©2014 Yamaha Motor Corporation, U.S.A. All rights reserved.

Part List

25MSHU 1996 / BRACKET 3 (20MH)

| REF - NO | PART NUMBER | PART NAME | QUANTITY | REMARKS |
|----------------|-----------------|---------------------------------|----------|---------|
| 1 | 6L2-43165-01-00 | PLATE, TILT LOCK | 1 | |
| 2 | 97590-06510-00 | BOLT, WITH WASHER | 4 | |
| 3 | 6L2-43160-00-00 | TILT ROD ASSY | 1 | |
| 4 | 6L2-43630-01-00 | TILT LEVER ASSY | 1 | |
| 5 | 682-43318-01-00 | COVER | 1 | |
| 6 | 90386-08032-00 | BUSH | 3 | |
| 7 | 6L2-43682-01-00 | LEVER, SHALLOW WATER DRIVE 2 | 1 | |
| 8 | 97095-05010-00 | BOLT | 1 | |
| 9 | 92990-05600-00 | WASHER, PLATE | 1 | |
| 10 | 6L2-43191-01-00 | SHAFT, STOPPER | 1 | |
| 11 | 99080-05600-00 | CIRCLIP | 1 | |
| 12 | 90506-20M27-00 | SPRING, TENSION | 1 | |
| 13 | 6L2-43350-02-00 | RECEIVER ASSY | 1 | |
| 14 | 6L2-43631-00-00 | LEVER, TILT | 1 | |
| 15 | 6L2-43188-00-00 | SPRING | 1 | |
| 16 | 6L2-43633-10-00 | COVER, TILT LEVER | 1 | |
| 17 | 6L2-43611-00-00 | SHAFT, TILT LOCK | 1 | |
| 18 | 6L2-43641-00-00 | LEVER, TILT | 1 | |
| 19 | 6L2-43659-00-00 | SHAFT, REVERSE LOCK | 1 | |
| 20 | 99080-05600-00 | CIRCLIP | 1 | |
| 21 | 6L2-43617-00-00 | ROD, TILT LOCK | 1 | |
| 22 | 6L2-43613-00-00 | ARM, TILT LOCK | 1 | |
| 23 | 99080-05600-00 | CIRCLIP | 1 | |
| 24 | 6L2-43624-00-00 | PLATE, TILT ROCK | 1 | |
| 25 | 6L2-43336-00-00 | PIN | 1 | |
| 26 | 6J8-43611-01-00 | SHAFT, TILT LOCK | 1 | |
| 27 | 99080-05600-00 | CIRCLIP | 1 | |
| 28 | 6L2-43614-00-00 | PLATE, TILT LOCK | 1 | |
| 29 | 90508-12M28-00 | SPRING, TORSION | 1 | |
| 30 | 90508-12M29-00 | SPRING, TORSION | 1 | |
| 31 | 6L2-43615-00-00 | PLATE, TILT LOCK | 1 | |
| 32 | 90506-23M11-00 | SPRING, TENSION | 1 | |
| 33 | 6L2-43657-00-00 | SPRING, LOCK | 1 | |
| 34 | 6L2-43676-00-00 | HOOK | 1 | |

25MSHU 1996 / STEERING



©2014 Yamaha Motor Corporation, U.S.A. All rights reserved.


Part List

25MSHU 1996 / STEERING

| REF - NO | PART NUMBER | PART NAME | QUANTITY | REMARKS |
|----------|-----------------|-----------------------------------|----------|---------|
| 1 | 6L2-W0084-10-4D | HANDLE STEERING ASSY | 1 | |
| 2 | 6G1-42111-10-4D | HANDLE, STEERING | 1 | |
| 3 | 90206-36M21-00 | WASHER, WAVE | 1 | |
| 4 | 90202-36M55-00 | WASHER, PLATE | 1 | |
| 5 | 90386-33M96-00 | BUSH | 1 | |
| 6 | 90386-34M97-00 | BUSH | 1 | |
| 7 | 6G1-42131-01-00 | COVER, HANDLE STEERING | 1 | |
| 8 | 97095-06020-00 | BOLT | 1 | |
| 9 | 6G1-42125-01-00 | BOLT, FRICTION ADJUSTING | 1 | |
| 10 | 6G1-42126-00-00 | FRICTION, STEERING HANDLE GRIP | 1 | |
| 11 | 91490-16010-00 | PIN. COTTER | 1 | |
| 12 | 664-42119-00-00 | GRIP, STEERING HANDLE | 1 | |
| 13 | 6G1-42177-00-00 | RUBBER, HANDLE | 1 | |
| 14 | 6L2-42137-00-00 | INDICATOR, THROTTLE | 1 | |
| 15 | 90269-02M09-00 | RIVET | 1 | |
| 16 | 90501-23215-00 | SPRING, COMPRESSION | 1 | |
| 17 | 92990-10600-00 | WASHER, PLATE | 1 | |
| 18 | 90149-05M13-00 | SCREW | 1 | |
| 19 | 90386-08032-00 | BUSH | 1 | |
| 20 | 6G1-42138-01-00 | LEVER, THROTTLE | 1 | |
| 21 | 6E0-42159-02-00 | STAY | 1 | |
| 22 | 97885-05012-00 | SCREW, PAN HEAD | 2 | |
| 23 | 6L2-26301-00-00 | THROTTLE CABLE ASSY | 2 | |
| 24 | 6L2-44111-00-94 | HANDLE, GEAR SHIFT | 1 | |
| 25 | 90386-15M73-00 | BUSH | 2 | |
| 26 | 90206-15M18-00 | WASHER, WAVE | 1 | |
| 27 | 90202-15M37-00 | WASHER, PLATE | 1 | |
| 28 | 90386-12M72-00 | BUSH | 1 | |
| 29 | 6L2-44125-00-94 | LEVER, SHIFT ROD | 1 | |
| 30 | 97595-06520-00 | BOLT, WITH WASHER | 1 | |
| 31 | 90202-06009-00 | WASHER, PLATE | 2 | |
| 32 | 91490-20015-00 | PIN. COTTER | 1 | |
| 33 | 6L2-44124-00-00 | LINK, SHIFT ROD | 1 | |
| 34 | 6L2-26363-00-00 | END, CABLE | 1 | |
| 35 | 95380-06700-00 | NUT | 1 | |
| 36 | 90202-05088-00 | WASHER, PLATE | 2 | |
| 37 | 90202-05M38-00 | WASHER, PLATE | 1 | |
| 38 | 90468-05M03-00 | CLIP | 1 | |

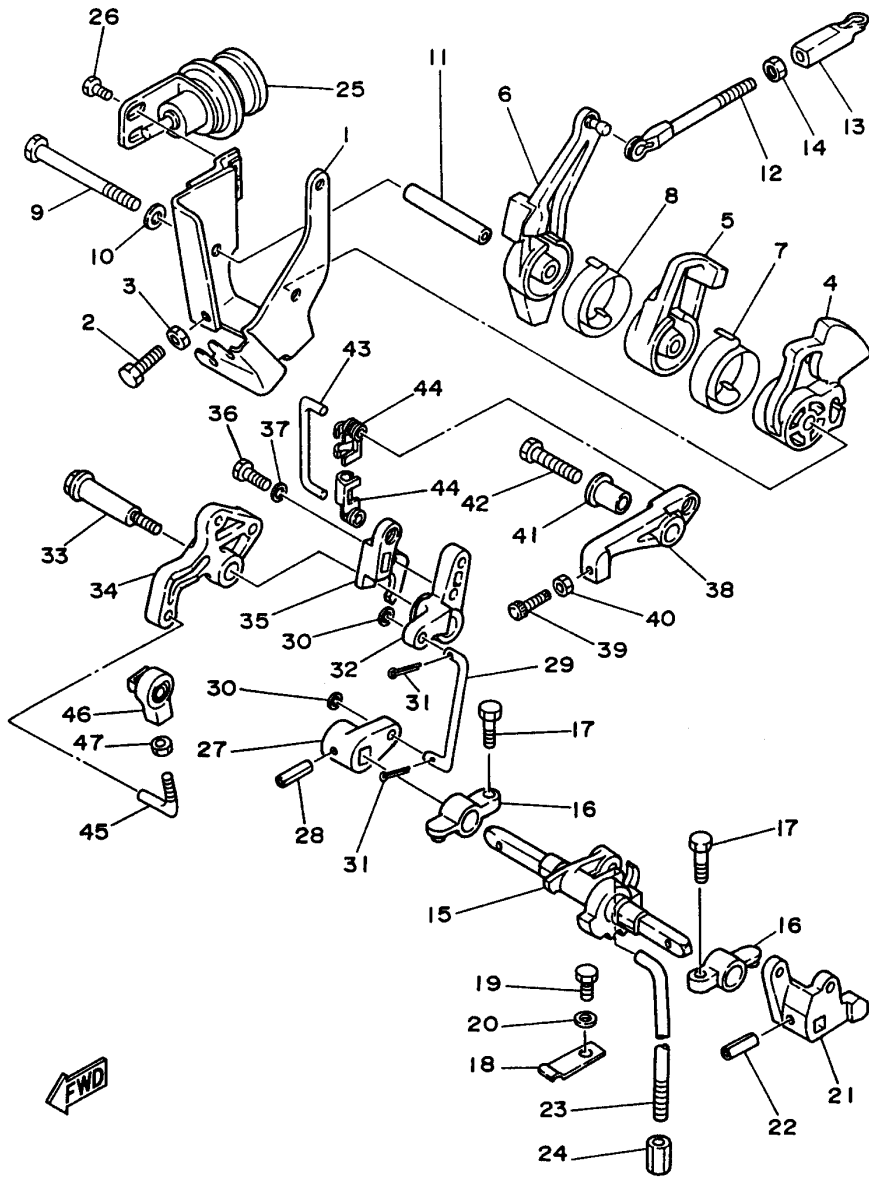
Part Notes

25MSHU 1996 / STEERING

| PART NUMBER | NOTE TEXT |
|--|--|
| 92990-10600-00  | OEM: This part number is among the Top 100 Most Popular Marine Maintenance Parts as of March 2014. |

©2014 Yamaha Motor Corporation, U.S.A. All rights reserved.

25MSHU 1996 / CONTROL



©2014 Yamaha Motor Corporation, U.S.A. All rights reserved.




Part List

25MSHU 1996 / CONTROL

| REF - NO | PART NUMBER | PART NAME | QUANTITY | REMARKS |
|----------------|-----------------|--------------------------|----------|---------|
| 1 | 6L2-14497-00-00 | STAY, THROTTLE WIRE | 1 | |
| 2 | 97095-06020-00 | BOLT | 1 | |
| 3 | 95380-06700-00 | NUT | 1 | |
| 4 | 6L2-41213-00-00 | CAM, ACCEL. | 1 | |
| 5 | 6L2-41283-00-00 | LEVER, FREE ACCEL. | 1 | |
| 6 | 6L2-41631-00-00 | LEVER, MAGNETO CONTROL | 1 | |
| 7 | 6J8-42167-00-00 | SPRING 1 | 1 | |
| 8 | 6L2-42167-00-00 | SPRING 1 | 1 | |
| 9 | 97395-06075-00 | BOLT | 1 | |
| 10 | 92990-06600-00 | WASHER, PLATE | 1 | |
| 11 | 90387-06M18-00 | COLLAR | 1 | |
| 12 | 689-42169-01-00 | JOINT | 1 | |
| 13 | 6H1-41237-00-00 | JOINT, LINK | 1 | |
| 14 | 95380-05600-00 | NUT | 1 | |
| 15 | 6L2-44121-00-00 | LEVER, SHIFT ROD | 1 | |
| 16 | 6G1-41662-01-94 | BRACKET 2 | 2 | |
| 17 | 97595-06520-00 | BOLT, WITH WASHER | 2 | |
| 18 | 6J8-44116-00-00 | SPRING | 1 | |
| 19 | 97095-06012-00 | BOLT | 1 | |
| 20 | 92990-06600-00 | WASHER, PLATE | 1 | |
| 21 | 6L2-44123-00-00 | ARM, SHIFT ROD | 1 | |
| 22 | 91690-30318-00 | PIN, SPRING | 1 | |
| 23 | 6L2-44143-00-00 | ROD, SHIFT | 1 | |
| 24 | 90170-06015-00 | NUT | 1 | |
| 25 | 6L2-14368-00-00 | DIAPHRAGM ASSY 1 | 1 | |
| 26 | 97095-06008-00 | BOLT | 2 | |
| 27 | 6L2-44122-00-00 | BUSHING, SHIFT ROD LEVER | 1 | |
| 28 | 91690-30318-00 | PIN, SPRING | 1 | |
| 29 | 6L2-42192-00-00 | ROD 2 | 1 | |
| 30 | 90202-05088-00 | WASHER, PLATE | 2 | |
| 31 | 91490-20015-00 | PIN. COTTER | 2 | |
| 32 | 6L2-44141-01-00 | LINK, SHIFT ROD | 1 | |
| 33 | 90109-06M28-00 | BOLT | 1 | |
| 34 | 6L2-41212-00-00 | ARM, ACCEL. | 1 | |
| 35 | 6L2-44141-10-94 | LINK, SHIFT ROD | 1 | |
| 36 | 97313-05016-00 | BOLT, HEXAGON | 1 | |
| 37 | 92990-05600-00 | WASHER, PLATE | 1 | |
| 38 | 6L2-44114-10-00 | STOPPER | 1 | |
| 39 | 90149-06M09-00 | SCREW | 1 | |
| 40 | 95380-06700-00 | NUT | 1 | |
| 41 | 90387-06M15-00 | COLLAR | 1 | |
| 42 | 97095-06030-00 | BOLT | 1 | |
| 43 | 6L2-42192-10-00 | ROD 2 | 1 | |
| 44 | 6F5-41237-00-00 | JOINT, LINK | 2 | |
| 45 | 6L2-41238-00-00 | JOINT, LINK | 1 | |
| 46 | 6L2-41237-00-00 | JOINT, LINK | 1 | |
| 47 | 95380-05700-00 | NUT | 1 | |

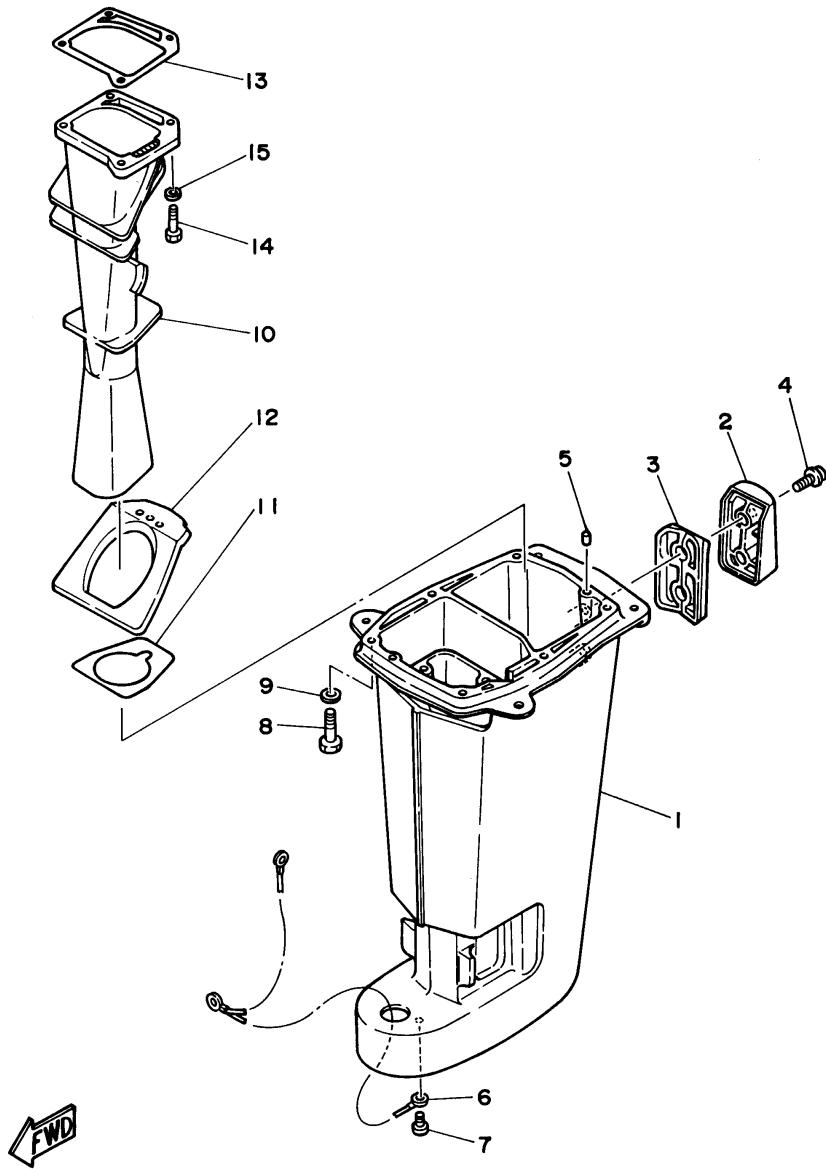
Part Notes

25MSHU 1996 / CONTROL

| PART NUMBER | | NOTE TEXT |
|-----------------|---|--|
| 92990-06600-00 |  | OEM: This part number is among the Top 100 Most Popular Marine Maintenance Parts as of March 2014. |
| 6H1-41237-00-00 |  | OEM: This part number is among the Top 100 Most Popular Marine Maintenance Parts as of March 2014. |
| 92990-06600-00 |  | OEM: This part number is among the Top 100 Most Popular Marine Maintenance Parts as of March 2014. |

©2014 Yamaha Motor Corporation, U.S.A. All rights reserved.

25MSHU 1996 / UPPER CASING



©2014 Yamaha Motor Corporation, U.S.A. All rights reserved.


Part List

25MSHU 1996 / UPPER CASING

| REF - NO | PART NUMBER | PART NAME | QUANTITY | REMARKS |
|----------------|-----------------|--------------------------------|----------|----------|
| 1 | 6L2-45111-01-4D | CASING, UPPER | 1 | UR SHORT |
| 1 | 6L2-45111-11-4D | CASING, UPPER | 1 | UR LONG |
| 2 | 6L2-45151-01-4D | COVER, UPPER CASING | 1 | |
| 3 | 6L2-45115-00-00 | GASKET, UPPER CASING | 1 | |
| 4 | 90159-06M11-00 | SCREW, WITH WASHER | 2 | |
| 5 | 93604-10M03-00 | PIN, DOWEL | 2 | |
| 6 | 6L2-82127-00-00 | WIRE, LEAD 2 | 1 | |
| 7 | 90157-06M06-00 | SCREW, PAN HEAD | 1 | |
| 8 | 97395-08030-00 | BOLT | 6 | |
| 9 | 92990-08600-00 | ..WASHER, PLATE | 6 | |
| 10 | 6L3-41131-00-5B | MANIFOLD, EXT. 1 | 1 | UR 20 |
| 10 | 6L2-41131-00-5B | MANIFOLD, EXT. 1 | 1 | UR 25 |
| 11 | 6L2-41134-00-00 | .GASKET, EXHAUST MANIFOLD | 1 | |
| 12 | 6L2-45123-01-00 | GASKET, MUFFLER | 1 | |
| 13 | 6L2-41133-A1-00 | .GASKET, EXHAUST MANIFOLD 1 | 1 | |
| 14 | 97095-06020-00 | BOLT | 4 | |
| 15 | 92990-06600-00 | WASHER, PLATE | 4 | |

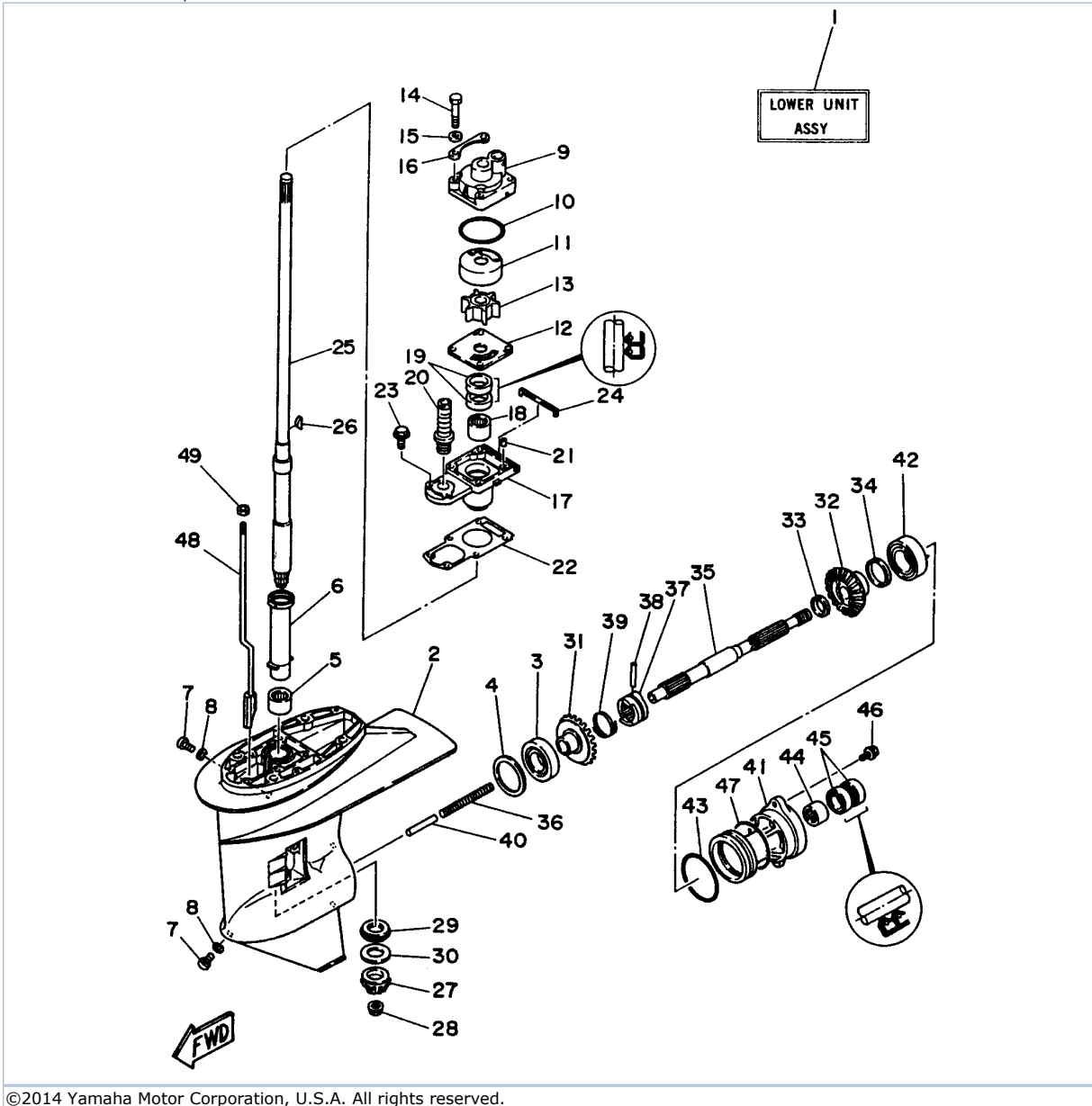
Part Notes

25MSHU 1996 / UPPER CASING

| PART NUMBER | NOTE TEXT |
|---|--|
| 92990-06600-00  | OEM: This part number is among the Top 100 Most Popular Marine Maintenance Parts as of March 2014. |

©2014 Yamaha Motor Corporation, U.S.A. All rights reserved.

25MSHU 1996 / LOWER CASING DRIVE 1



©2014 Yamaha Motor Corporation, U.S.A. All rights reserved.



Part List

25MSHU 1996 / LOWER CASING DRIVE 1

| REF - NO | PART NUMBER | PART NAME | QUANTITY | REMARKS |
|----------|-----------------|-------------------------|----------|----------|
| 1 | 6L2-45300-02-4D | LOWER UNIT ASSY | 1 | SHORT |
| 1 | 6L2-45300-12-4D | LOWER UNIT ASSY | 1 | LONG |
| 2 | 6L2-45311-01-4D | CASING, LOWER | 1 | |
| 3 | 93332-00005-00 | BEARING | 1 | |
| 4 | 6L2-45567-00-14 | SHIM (T:1.4MM) | 1 | UR |
| 4 | 6L2-45567-00-10 | SHIM (T:1.0MM) | 1 | UR |
| 4 | 6L2-45567-00-11 | SHIM (T:1.1MM) | 1 | UR |
| 4 | 6L2-45567-00-13 | SHIM (T:1.3MM) | 1 | UR |
| 4 | 6L2-45567-00-12 | SHIM (T:1.2MM) | 1 | UR |
| 5 | 93315-220V9-00 | BEARING | 1 | |
| 6 | 6L2-45536-00-00 | SLEEVE, DRIVE SHAFT | 1 | |
| 7 | 90340-08M04-00 | PLUG, STRAIGHT SCREW | 2 | |
| 8 | 90430-08020-00 | .GASKET | 2 | |
| 9 | 6L2-44311-00-00 | HOUSING, WATER PUMP | 1 | |
| 10 | 93210-45161-00 | .O-RING | 1 | |
| 11 | 6L2-44322-00-00 | .INSERT, CARTRIDGE | 1 | |
| 12 | 6L2-44323-00-00 | .OUTER PLATE, CARTRIDGE | 1 | |
| 13 | 6L2-44352-00-00 | .IMPELLER | 1 | |
| 14 | 97095-06040-00 | .BOLT | 4 | |
| 15 | 92990-06600-00 | WASHER, PLATE | 4 | |
| 16 | 6L2-44328-00-00 | PLATE | 2 | |
| 17 | 6L2-45331-00-5B | HOUSING, BEARING | 1 | |
| 18 | 93315-22004-00 | BEARING | 1 | |
| 19 | 93101-20048-00 | .OIL SEAL | 2 | |
| 20 | 6L2-44147-00-00 | BOOT, SHIFT ROD | 1 | |
| 21 | 93604-10M03-00 | PIN, DOWEL | 2 | |
| 22 | 6L2-45315-A0-00 | .PACKING, LOWER CASING | 1 | |
| 23 | 97595-06520-00 | BOLT, WITH WASHER | 2 | |
| 24 | 6L2-45375-00-00 | DAMPER, SEAL | 1 | |
| 25 | 6L2-45510-00-00 | DRIVE SHAFT ASSY | 1 | UR SHORT |
| 25 | 6L2-45510-10-00 | DRIVE SHAFT ASSY | 1 | UR LONG |
| 26 | 90280-03024-00 | .KEY, WOODRUFF | 1 | |
| 27 | 6L2-45551-01-00 | PINION (13T) | 1 | |
| 28 | 90179-10M14-00 | NUT | 1 | |
| 29 | 93341-320U0-00 | BEARING | 1 | |
| 30 | 6L2-45587-00-16 | SHIM (T:1.6MM) | 1 | UR |
| 30 | 6L2-45587-00-15 | SHIM (T:1.5MM) | 1 | UR |
| 31 | 6L2-45560-00-00 | GEAR | 1 | |
| 32 | 6L2-45571-00-00 | GEAR 2 (27T) | 1 | |
| 33 | 90201-20417-00 | WASHER, PLATE | 1 | |
| 34 | 6L2-45577-00-11 | SHIM (T:1.1MM) | 1 | UR |
| 34 | 6L2-45577-00-12 | SHIM (T:1.2MM) | 1 | UR |
| 34 | 6L2-45577-00-13 | SHIM (T:1.3MM) | 1 | UR |
| 34 | 6L2-45577-00-10 | SHIM (T:1.0MM) | 1 | UR |
| 35 | 6L2-45611-00-00 | SHAFT, PROPELLER | 1 | |
| 36 | 90501-10065-00 | SPRING, COMPRESSION | 1 | |
| 37 | 6L2-45631-00-00 | CLUTCH, DOG | 1 | |
| 38 | 90250-05010-00 | PIN, STRAIGHT | 1 | |
| 39 | 648-45633-00-00 | RING, CROSS PIN | 1 | |
| 40 | 648-45635-00-00 | PLUNGER, SHIFT | 1 | |
| 41 | 6L2-45361-02-4D | CAP, LOWER CASING | 1 | |
| 42 | 93306-00612-00 | BEARING | 1 | |
| 43 | 93210-60MA3-00 | .O-RING | 1 | |
| 44 | 93315-22004-00 | BEARING | 1 | |
| 45 | 93101-20M07-00 | .OIL SEAL | 2 | |
| 46 | 97595-06520-00 | BOLT, WITH WASHER | 2 | |
| 47 | 93210-60M99-00 | .O-RING | 1 | |
| 48 | 6L2-44150-10-00 | SHIFT CAM ASSY | 1 | UR LONG |
| 48 | 6L2-44150-00-00 | SHIFT CAM ASSY | 1 | UR SHORT |
| 49 | 95380-06600-00 | NUT, HEXAGON | 1 | |

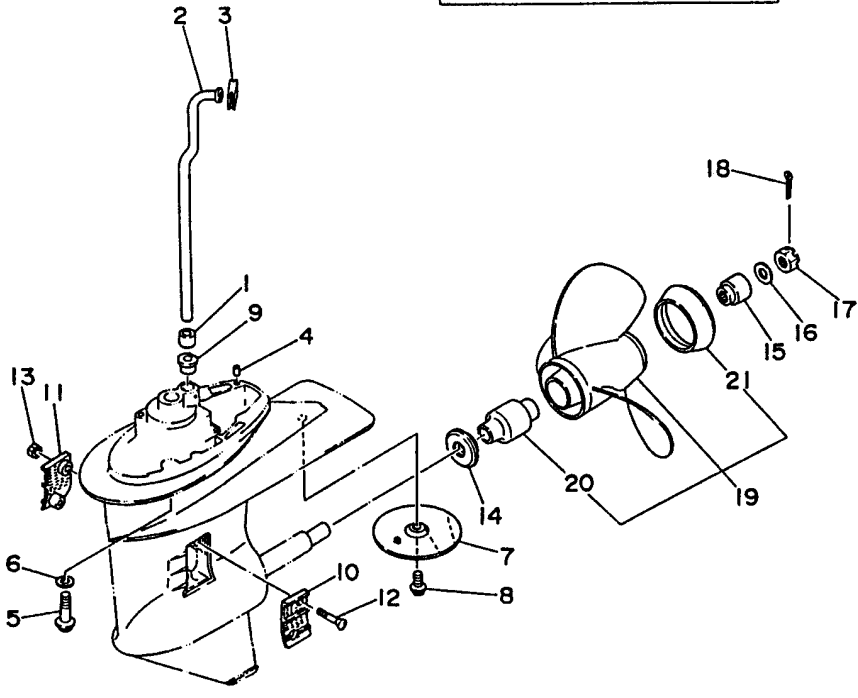
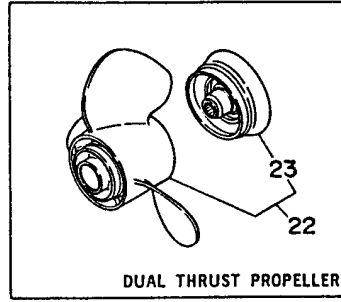
Part Notes

25MSHU 1996 / LOWER CASING DRIVE 1

| PART NUMBER | | NOTE TEXT |
|----------------|---|--|
| 90430-08020-00 |  | OEM: This part number is among the Top 100 Most Popular Marine Maintenance Parts as of March 2014. |
| 92990-06600-00 |  | OEM: This part number is among the Top 100 Most Popular Marine Maintenance Parts as of March 2014. |

©2014 Yamaha Motor Corporation, U.S.A. All rights reserved.

25MSHU 1996 / LOWER CASING DRIVE 2



©2014 Yamaha Motor Corporation, U.S.A. All rights reserved.


Part List

25MSHU 1996 / LOWER CASING DRIVE 2

| REF - NO | PART NUMBER | PART NAME | QUANTITY | REMARKS |
|----------|-----------------|--------------------------------|----------|--------------------------|
| 1 | 6L2-44368-00-00 | RUBBER, WATER SEAL 4 | 1 | |
| 2 | 6L2-44361-10-00 | TUBE, WATER | 1 | UR LONG |
| 2 | 6L2-44361-00-00 | TUBE, WATER | 1 | UR SHORT |
| 3 | 6L2-44366-00-00 | DAMPER, WATER SEAL | 1 | |
| 4 | 93604-10M03-00 | PIN, DOWEL | 2 | |
| 5 | 90105-10M12-00 | BOLT, FLANGE | 4 | |
| 6 | 92990-10600-00 | WASHER, PLATE | 4 | |
| 7 | 664-45371-01-00 | TAB-TRIM | 1 | |
| 8 | 90105-08M02-00 | BOLT, FLANGE | 1 | |
| 9 | 6L2-44367-00-00 | .DAMPER, WATER SEAL 3 | 1 | |
| 10 | 6L2-45214-00-00 | COVER, WATER INLET 1 | 1 | |
| 11 | 6L2-45215-00-00 | COVER, WATER INLET 2 | 1 | |
| 12 | 98780-05530-00 | SCREW, FLAT HEAD | 2 | |
| 13 | 90185-05002-00 | NUT, NYLON | 2 | |
| 14 | 6L2-45987-01-00 | SPACER 1 | 1 | |
| 15 | 689-45997-00-00 | SPACER 2 | 1 | |
| 16 | 92990-14200-00 | WASHER, PLAIN | 1 | |
| 17 | 90171-14013-00 | NUT, CASTLE | 1 | |
| 18 | 91490-30030-00 | PIN, COTTER | 1 | |
| 19 | 664-45970-00-98 | PROPELLER (3X9-1/8"X13"-F) | 1 | UR STAINLESS STEEL PROP. |
| 19 | 664-45952-00-EL | PROPELLER (3X9-7/8"X14"-F) | 1 | UR AL |
| 19 | 664-45949-02-EL | PROPELLER (3X9-7/8"X13"-F) | 1 | UR AL |
| 19 | 664-45947-01-EL | PROPELLER (3X9-7/8"X11-1/4"-F) | 1 | UR AL |
| 19 | 664-45941-01-EL | PROPELLER (3X9-7/8"X9"-F) | 1 | UR AL |
| 19 | 664-45943-01-EL | PROPELLER (3X9-7/8"X8"-F) | 1 | UR AL |
| 19 | 664-45945-00-EL | PROPELLER (3X9-7/8"X10-1/2"-F) | 1 | UR AL |
| 20 | 664-45981-01-00 | .DAMPER RUBBER PROP | 1 | |
| 21 | 664-45986-01-94 | .REFLECTOR RING | 1 | UR AL |
| 22 | 6J8-W4591-00-EL | PROPELLER (3X10-5/8X8-1/4-F) | 1 | UR |
| 23 | 6J8-45986-10-98 | .RING, DEFLECTOR | 1 | LOW GLOSS BLACK |

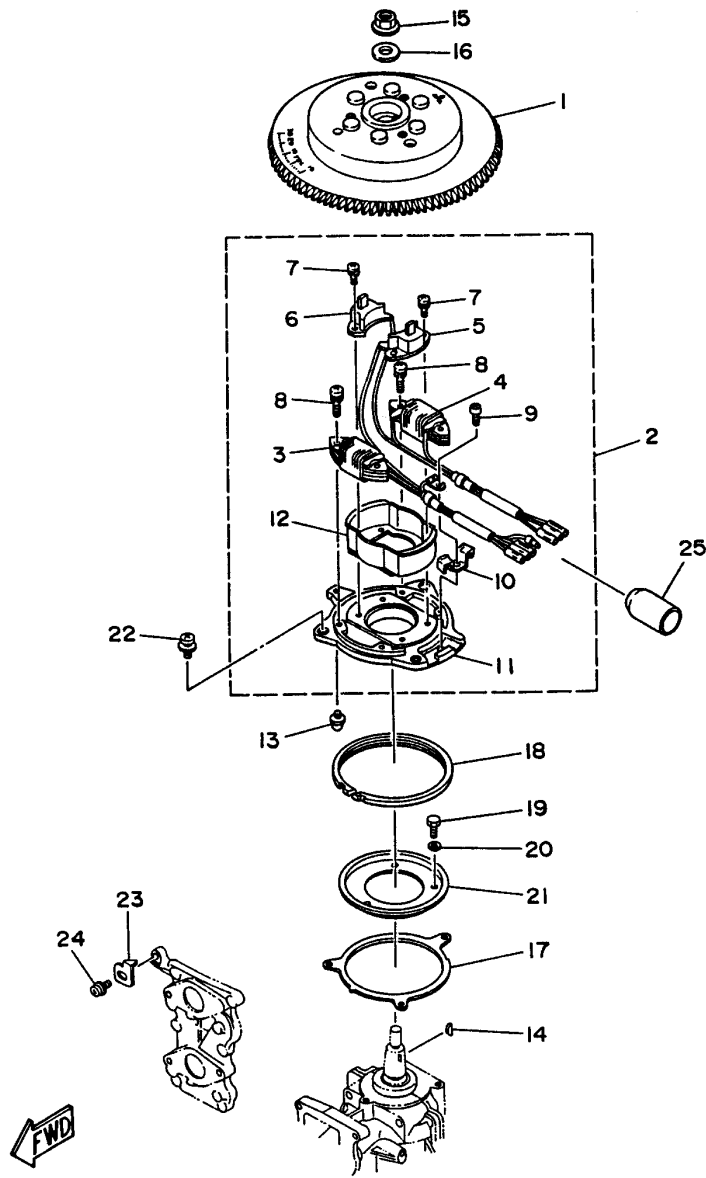
Part Notes

25MSHU 1996 / LOWER CASING DRIVE 2

| PART NUMBER | NOTE TEXT |
|--|--|
| 92990-10600-00  | OEM: This part number is among the Top 100 Most Popular Marine Maintenance Parts as of March 2014. |

©2014 Yamaha Motor Corporation, U.S.A. All rights reserved.

25MSHU 1996 / MAGNETO



©2014 Yamaha Motor Corporation, U.S.A. All rights reserved.


Part List

25MSHU 1996 / MAGNETO

| REF - NO | PART NUMBER | PART NAME | QUANTITY | REMARKS |
|----------|-----------------|------------------------|----------|------------|
| 1 | 6L2-85550-10-00 | ROTOR ASSY | 1 | UR 20E/25E |
| 1 | 6L2-85550-00-00 | ROTOR ASSY | 1 | UR 20M/25M |
| 2 | 6L2-85560-10-00 | BASE ASSY | 1 | |
| 3 | 6L2-85520-10-00 | .COIL, CHARGE | 1 | |
| 4 | 6L2-85533-10-00 | .COIL, LIGHTING | 1 | |
| 5 | 6L2-85580-10-00 | .COIL, PULSER | 1 | |
| 6 | 6L2-85580-20-00 | .COIL, PULSER | 1 | |
| 7 | 98507-04012-00 | .SCREW, PAN HEAD | 4 | |
| 8 | 97607-06125-00 | .SCREW, WITH WASHER | 4 | |
| 9 | 98507-04006-00 | .SCREW, PAN HEAD | 1 | |
| 10 | 6E9-81328-70-00 | .CLAMP | 1 | |
| 11 | 6L2-85561-10-00 | .BASE, MAGNETO | 1 | |
| 12 | 61N-85537-00-00 | .COVER | 1 | |
| 13 | 663-85518-00-00 | JOINT, BALL | 1 | |
| 14 | 90280-16053-00 | KEY, WOODRUFF | 1 | |
| 15 | 90179-12M04-00 | NUT | 1 | |
| 16 | 90201-13M42-00 | WASHER, PLATE | 1 | |
| 17 | 6G1-41611-00-00 | RETAINER, MAGNETO BASE | 1 | |
| 18 | 695-41613-00-00 | PLATE, BASE FRICTION | 1 | |
| 19 | 97095-06012-00 | BOLT | 3 | |
| 20 | 92990-06600-00 | WASHER, PLATE | 3 | |
| 21 | 6G1-41612-00-00 | RETAINER, MAGNETO BASE | 1 | |
| 22 | 97985-05210-00 | SCREW, WITH WASHER | 3 | |
| 23 | 6L2-81332-00-00 | PLATE, TIMING | 1 | |
| 24 | 97985-05210-00 | SCREW, WITH WASHER | 1 | |
| 25 | 6L2-82599-01-00 | COVER, CONNECTER | 1 | |

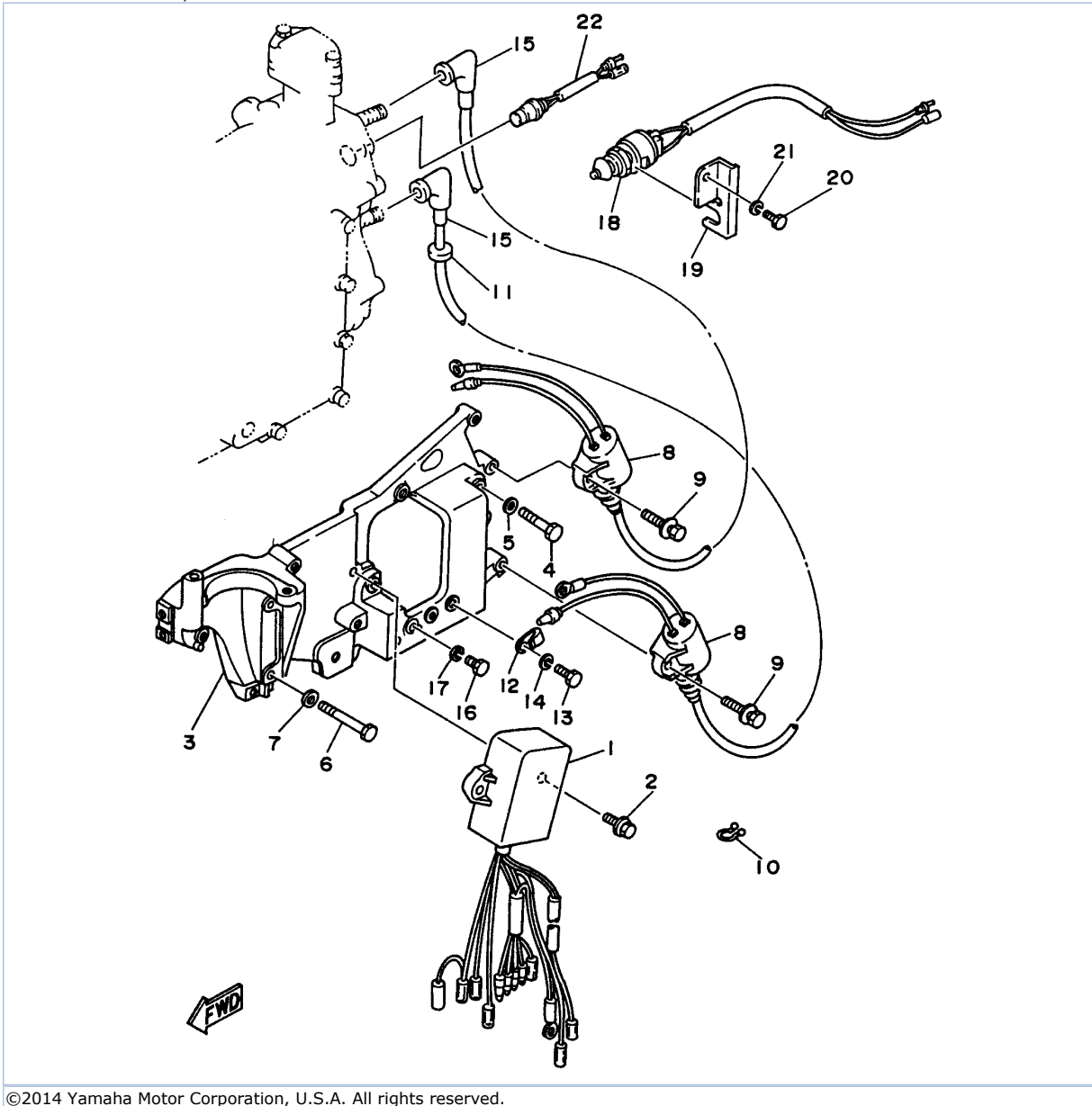
Part Notes

25MSHU 1996 / MAGNETO

| PART NUMBER | NOTE TEXT |
|--|--|
| 92990-06600-00  | OEM: This part number is among the Top 100 Most Popular Marine Maintenance Parts as of March 2014. |

©2014 Yamaha Motor Corporation, U.S.A. All rights reserved.

25MSHU 1996 / ELECTRICAL 1



©2014 Yamaha Motor Corporation, U.S.A. All rights reserved.



Part List

25MSHU 1996 / ELECTRICAL 1

| REF - NO | PART NUMBER | PART NAME | QUANTITY | REMARKS |
|----------|-----------------|------------------------|----------|----------|
| 1 | 6L2-85540-20-00 | C.D.I. UNIT ASSEMBLY | 1 | |
| 2 | 97595-06520-00 | BOLT, WITH WASHER | 2 | |
| 3 | 6L2-85542-02-94 | BRACKET | 1 | |
| 4 | 97095-06030-00 | BOLT | 3 | |
| 5 | 92990-06600-00 | WASHER, PLATE | 3 | |
| 6 | 90101-06M16-00 | BOLT | 2 | |
| 7 | 92990-06600-00 | WASHER, PLATE | 2 | |
| 8 | 61N-85570-10-00 | IGNITION COIL ASSEMBLY | 2 | |
| 9 | 97595-06420-00 | BOLT, WITH WASHER | 2 | |
| 10 | 90465-18147-00 | CLAMP | 1 | |
| 11 | 90480-25161-00 | GROMMET | 1 | |
| 12 | 90465-08028-00 | CLAMP | 1 | |
| 13 | 97095-06012-00 | BOLT | 1 | |
| 14 | 92995-06100-00 | WASHER, SPRING | 1 | |
| 15 | 6G1-82370-20-00 | PLUG CAP ASSEMBLY. | 2 | |
| 16 | 97095-06012-00 | BOLT | 2 | |
| 17 | 92995-06100-00 | WASHER, SPRING | 2 | |
| 18 | 6H3-82540-00-00 | NEUTRAL SWITCH ASSY | 1 | 20E/25EH |
| 19 | 6L2-82554-00-00 | STAY, NEUTRAL SWITCH | 1 | 20E/25EH |
| 20 | 97095-06012-00 | BOLT | 1 | 20E/25EH |
| 21 | 92995-06100-00 | WASHER, SPRING | 1 | 20E/25EH |
| 22 | 689-82560-00-00 | THERMO SWITCH ASSEMBLY | 1 | UR |

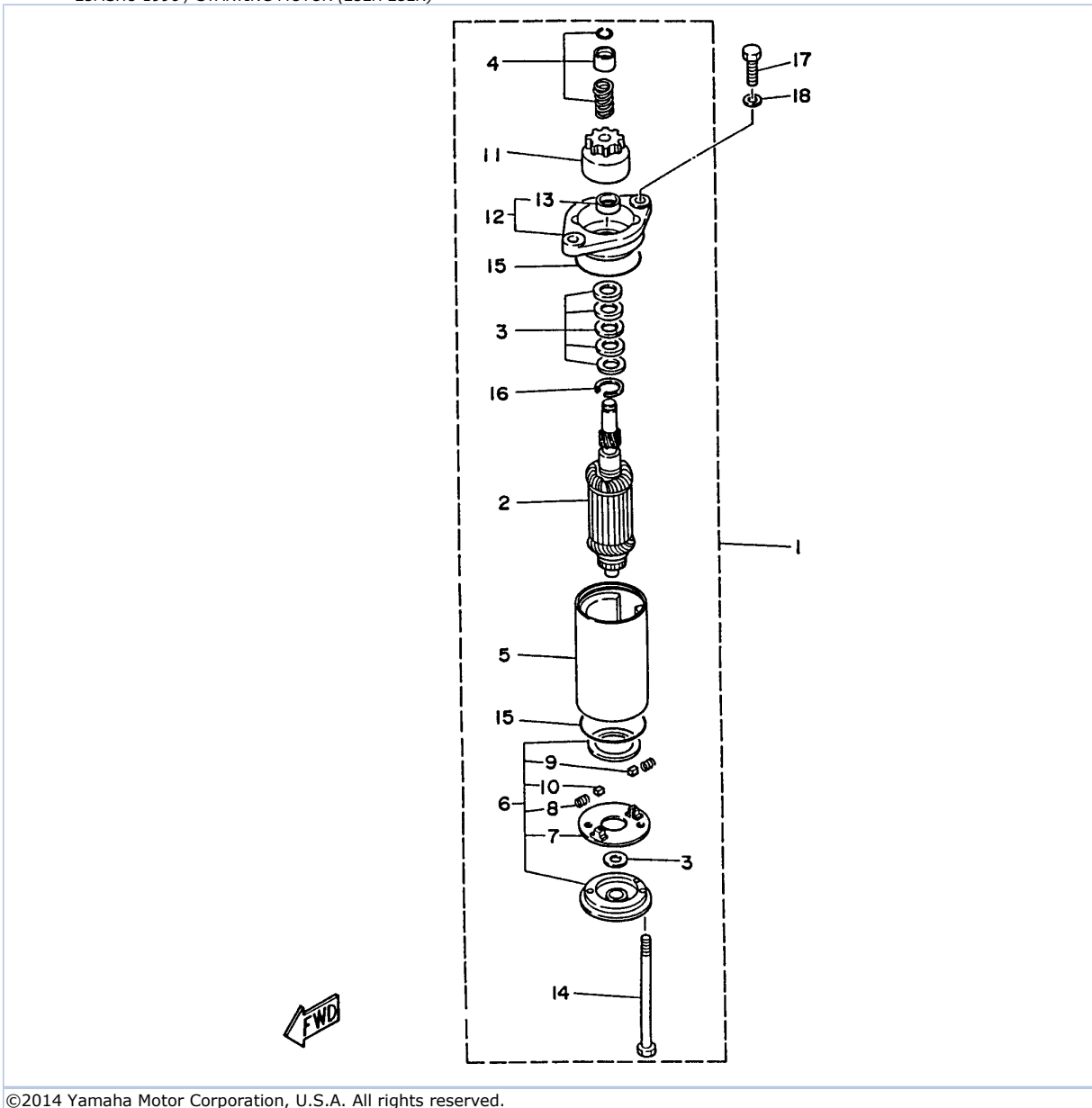
Part Notes

25MSHU 1996 / ELECTRICAL 1

| PART NUMBER | NOTE TEXT |
|--|--|
| 92990-06600-00  | OEM: This part number is among the Top 100 Most Popular Marine Maintenance Parts as of March 2014. |
| 92990-06600-00  | OEM: This part number is among the Top 100 Most Popular Marine Maintenance Parts as of March 2014. |

©2014 Yamaha Motor Corporation, U.S.A. All rights reserved.

25MSHU 1996 / STARTING MOTOR (25EH 25ER)



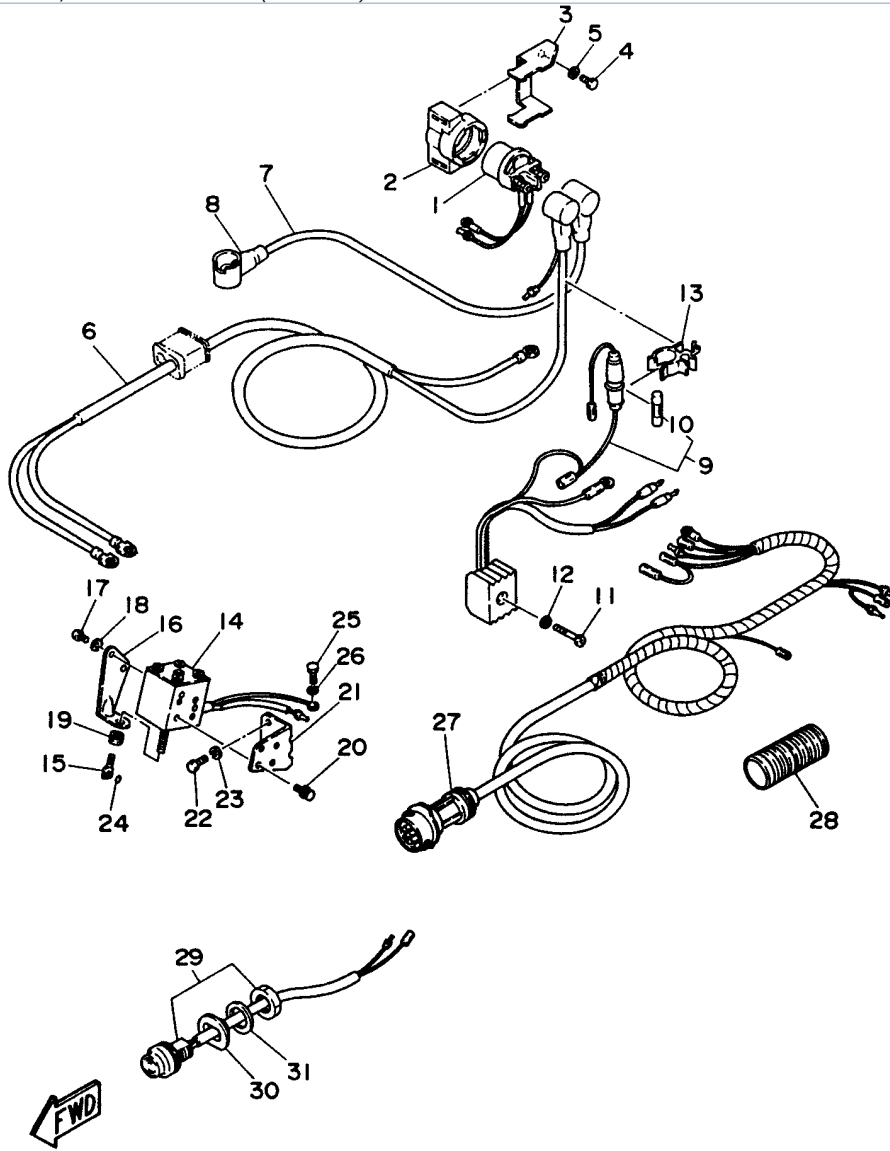
©2014 Yamaha Motor Corporation, U.S.A. All rights reserved.

Part List

25MSHU 1996 / STARTING MOTOR (25EH 25ER)

| REF - NO | PART NUMBER | PART NAME | QUANTITY | REMARKS |
|----------------|-----------------|----------------------------|----------|---------|
| 1 | 6L2-81800-11-00 | STARTING MOTOR ASSEMBLY | 1 | |
| 2 | 6L2-81850-11-00 | .ARMATURE ASSEMBLY | 1 | |
| 3 | 682-81809-10-00 | .WASHER KIT | 1 | |
| 4 | 6L2-81833-10-00 | .RING, STOP | 1 | |
| 5 | 682-81810-11-00 | .STATOR ASSY | 1 | |
| 6 | 6L2-81820-10-00 | .REAR BRACKET ASSEMBLY | 1 | |
| 7 | 6L2-81840-10-00 | ..BRUSH HOLDER ASSEMBLY | 1 | |
| 8 | 682-81813-10-00 | ..SPRING, BRUSH | 2 | |
| 9 | 6L2-81811-10-00 | ..BRUSH 1 | 1 | |
| 10 | 6L2-81812-10-00 | ..BRUSH 2 | 1 | |
| 11 | 682-81832-10-00 | .PINION ASSY | 1 | |
| 12 | 682-81830-10-00 | .FRONT COVER ASSY | 1 | |
| 13 | 682-81831-00-00 | ..METAL, FRONT | 1 | |
| 14 | 682-81826-10-00 | .BOLT | 2 | |
| 15 | 682-81847-10-00 | .O-RING | 2 | |
| 16 | 682-81834-10-00 | .RING | 1 | |
| 17 | 97013-08025-00 | BOLT | 2 | |
| 18 | 92990-08600-00 | ..WASHER, PLATE | 2 | |

25MSHU 1996 / STARTER ELECTRICAL (25EH 25ER)



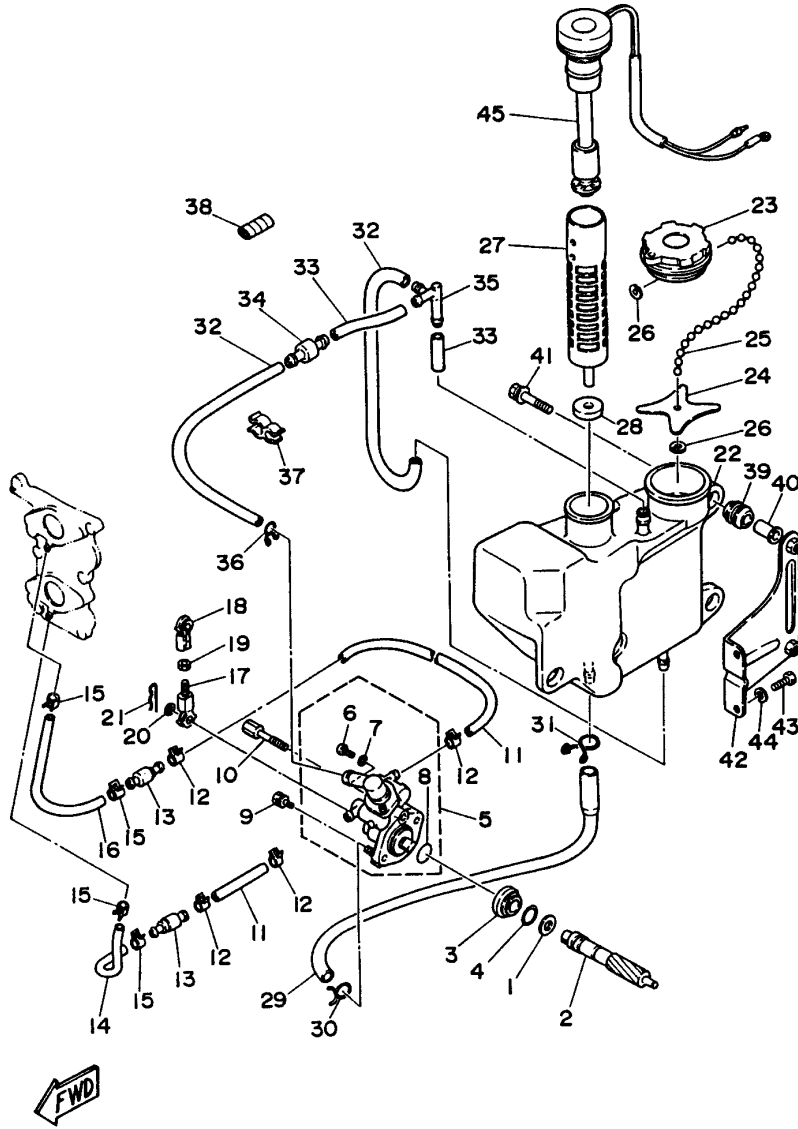
©2014 Yamaha Motor Corporation, U.S.A. All rights reserved.

Part List

25MSHU 1996 / STARTER ELECTRICAL (25EH 25ER)

| REF - NO | PART NUMBER | PART NAME | QUANTITY | REMARKS |
|----------------|-----------------|-----------------------|----------|-----------|
| 1 | 6G1-81941-10-00 | STARTER RELAY ASSY | 1 | |
| 2 | 6G1-81952-00-00 | HOLDER, RELAY | 1 | |
| 3 | 6L2-81945-00-00 | PLATE, SWITCH FITTING | 1 | |
| 4 | 97095-06012-00 | BOLT | 1 | |
| 5 | 92995-06100-00 | WASHER, SPRING | 1 | |
| 6 | 6G1-82105-01-00 | BATTERY CABLE | 1 | |
| 7 | 6G1-82117-00-00 | WIRE, LEAD | 1 | |
| 8 | 6G1-82119-01-00 | COVER, LEAD WIRE | 1 | |
| 9 | 6G1-81970-61-00 | RECTIFIER ASSY | 1 | |
| 10 | 6G1-82151-00-00 | .FUSE (10A) | 1 | |
| 11 | 98580-05525-00 | SCREW, PAN HEAD | 1 | |
| 12 | 92990-05600-00 | WASHER, PLATE | 1 | |
| 13 | 6G5-82152-00-00 | HOLDER, FUSE | 1 | |
| 14 | 6L2-86111-00-00 | COIL, SOLENOID | 1 | 25ER |
| 15 | 682-86117-00-00 | HOOK, WIRE PULL | 1 | 25ER |
| 16 | 6L2-86115-00-00 | HOLDER, SOLENOID | 1 | 25ER |
| 17 | 97980-05108-00 | SCREW, WITH WASHER | 2 | 25ER |
| 18 | 92990-05600-00 | WASHER, PLATE | 2 | 25ER |
| 19 | 90480-10155-00 | GROMMET | 1 | 25ER |
| 20 | 97980-04208-00 | SCREW, WITH WASHER | 4 | 25ER |
| 21 | 6L2-86112-00-00 | STAY, SOLENOID | 1 | 25ER |
| 22 | 97095-06012-00 | BOLT | 2 | 25ER |
| 23 | 92995-06100-00 | WASHER, SPRING | 2 | 25ER |
| 24 | 93210-03261-00 | O-RING | 1 | 25ER |
| 25 | 97095-06012-00 | BOLT | 1 | 25ER |
| 26 | 92995-06100-00 | WASHER, SPRING | 1 | 25ER |
| 27 | 6L2-82590-00-00 | WIRE HARNESS ASSY | 1 | 25ER |
| 28 | 6K3-83557-00-00 | TUBE | 1 | |
| 29 | 689-81870-00-00 | STARTING SWITCH ASSY | 1 | 20EH/25EH |
| 30 | 6L2-84387-00-00 | HOLDER | 1 | 20EH/25EH |
| 31 | 90202-17M35-00 | WASHER, PLATE | 1 | 20EH/25EH |

25MSHU 1996 / OIL INJECTION



©2014 Yamaha Motor Corporation, U.S.A. All rights reserved.



Part List

25MSHU 1996 / OIL INJECTION

| REF - NO | PART NUMBER | PART NAME | QUANTITY | REMARKS |
|----------|-----------------|-----------------------------|----------|---------|
| 1 | 90201-08M93-00 | WASHER, PLATE | 1 | |
| 2 | 6L2-11537-00-00 | GEAR, DRIVEN | 1 | |
| 3 | 6J8-13117-00-00 | COLLAR, DISTANCE | 1 | |
| 4 | 93210-13595-00 | O-RING | 1 | |
| 5 | 6L2-13200-00-00 | OIL INJECTION PUMP ASSEMBLY | 1 | |
| 6 | 6L2-13471-00-00 | .PLUG, DRAIN | 1 | |
| 7 | 1YU-13187-00-00 | .GASKET, BREATHER BOLT | 1 | |
| 8 | 93210-19M82-00 | .O-RING | 1 | |
| 9 | 97513-05218-00 | BOLT, WITH WASHER | 1 | |
| 10 | 90109-05M33-00 | BOLT | 1 | |
| 11 | 90445-07M32-00 | HOSE (L120) | 2 | |
| 12 | 90468-07M02-00 | CLIP | 4 | |
| 13 | 6E9-13183-70-00 | VALVE, CHECK | 2 | |
| 14 | 90445-07M04-00 | HOSE (L50) | 1 | |
| 15 | 90468-07M02-00 | CLIP | 4 | |
| 16 | 90445-07M16-00 | HOSE | 1 | |
| 17 | 682-41237-50-00 | JOINT, LINK | 1 | |
| 18 | 6H1-41237-00-00 | JOINT, LINK | 1 | |
| 19 | 95380-05700-00 | NUT | 1 | |
| 20 | 90202-05088-00 | WASHER, PLATE | 1 | |
| 21 | 90468-05M03-00 | CLIP | 1 | |
| 22 | 6L2-21707-01-00 | OIL TANK COMP. | 1 | |
| 23 | 6H4-21770-00-00 | OIL TANK CAP ASSY | 1 | |
| 24 | 6L2-21758-00-00 | WASHER, SPECIAL 2 | 1 | |
| 25 | 6H1-24633-00-00 | CHAIN, BALL | 1 | |
| 26 | 6H1-21757-00-00 | WASHER, SPECIAL 1 | 2 | |
| 27 | 6J8-13411-00-00 | STRAINER, OIL | 1 | |
| 28 | 6J8-13414-00-00 | GASKET, STRAINER COVER | 1 | |
| 29 | 6L2-13416-00-00 | PIPE, OIL 1 | 1 | |
| 30 | 90467-08004-00 | CLIP | 1 | |
| 31 | 90467-11M08-00 | CLIP | 1 | |
| 32 | 90445-11M03-00 | HOSE (L330) | 2 | |
| 33 | 90445-11M07-00 | HOSE (L30) | 2 | |
| 34 | 6J8-21744-00-00 | BREATHER | 1 | |
| 35 | 6E5-24376-10-00 | PIPE, JOINT 1 | 1 | |
| 36 | 90467-10M04-00 | CLIP | 1 | |
| 37 | 90464-11M24-00 | CLAMP | 1 | |
| 38 | 90446-10M02-00 | HOSE | 1 | |
| 39 | 6A0-82317-00-00 | DAMPER, IGNITION COIL | 3 | |
| 40 | 624-42542-00-00 | PIPE | 3 | |
| 41 | 90119-06M65-00 | BOLT, WITH WASHER | 3 | |
| 42 | 6L2-21798-00-00 | BRACKET, DAMPER | 1 | |
| 43 | 97095-06016-00 | BOLT | 2 | |
| 44 | 92990-06600-00 | WASHER, PLATE | 2 | |
| 45 | 6L2-85720-01-00 | OIL LEVEL GAUGE ASSEMBLY | 1 | |

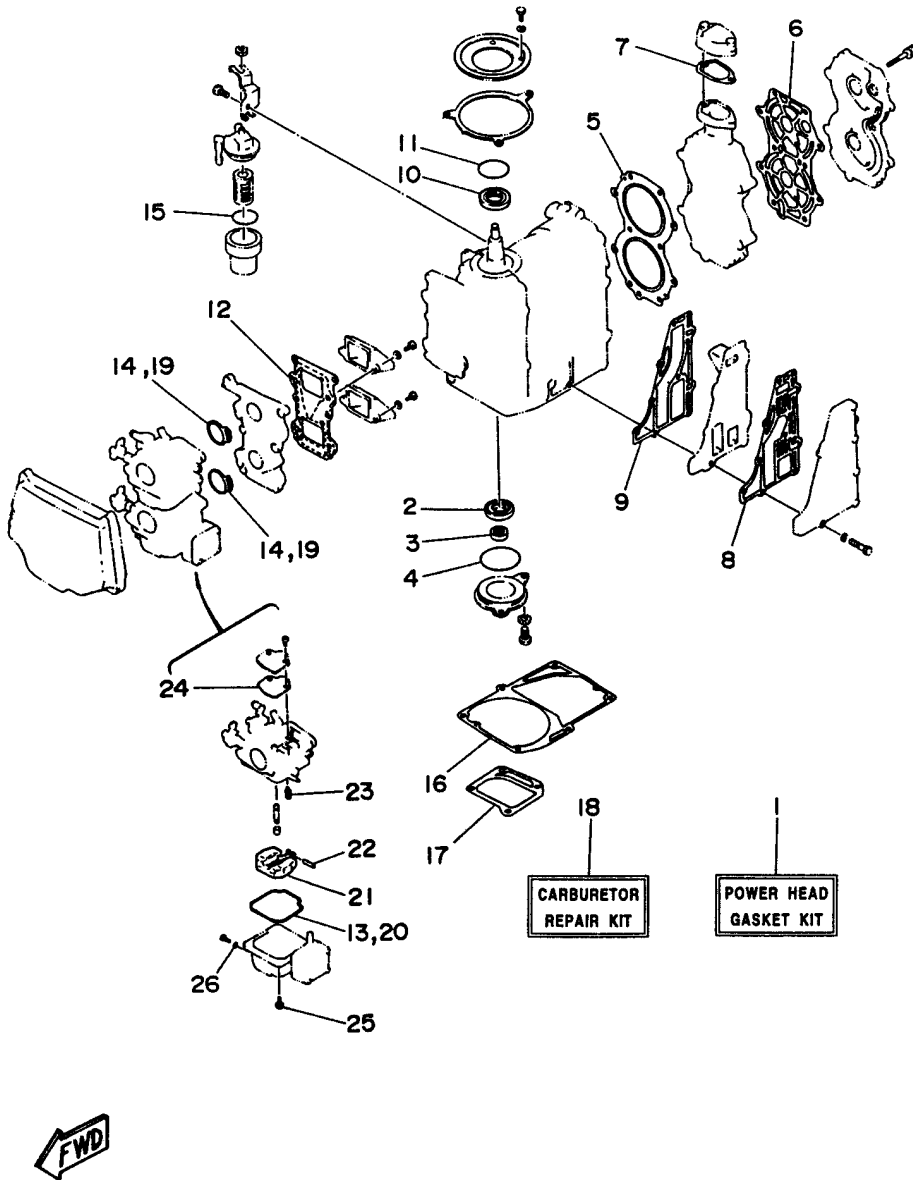
Part Notes

25MSHU 1996 / OIL INJECTION

| PART NUMBER | NOTE TEXT |
|---|--|
| 6H1-41237-00-00  | OEM: This part number is among the Top 100 Most Popular Marine Maintenance Parts as of March 2014. |
| 92990-06600-00  | OEM: This part number is among the Top 100 Most Popular Marine Maintenance Parts as of March 2014. |

©2014 Yamaha Motor Corporation, U.S.A. All rights reserved.

25MSHU 1996 / REPAIR KIT 1



©2014 Yamaha Motor Corporation, U.S.A. All rights reserved.


Part List

25MSHU 1996 / REPAIR KIT 1

| REF - NO | PART NUMBER | PART NAME | QUANTITY | REMARKS |
|----------|-----------------|------------------------------|----------|---------|
| 1 | 6L2-W0001-03-00 | POWER HEAD GASKET KIT | 1 | |
| 2 | 93102-25142-00 | .OIL SEAL | 1 | |
| 3 | 93101-13M37-00 | .OIL SEAL | 1 | |
| 4 | 93210-56M80-00 | .O-RING | 1 | |
| 5 | 6L2-11181-A1-00 | .GASKET, CYLINDER HEAD 1 | 1 | |
| 6 | 6L2-11193-A1-00 | .GASKET, HEAD COVER 1 | 1 | |
| 7 | 61A-12414-A0-00 | .GASKET, COVER | 1 | |
| 8 | 6L2-41114-A1-00 | .GASKET, EXHAUST OUTER COVER | 1 | |
| 9 | 6L2-41112-A1-00 | .GASKET, EXHAUST INNER COVER | 1 | |
| 10 | 93102-26M27-00 | .OIL SEAL | 1 | |
| 11 | 93210-42159-00 | .O-RING | 1 | |
| 12 | 6L2-13621-00-00 | .GASKET, VALVE SEAT | 1 | |
| 13 | 6L2-14384-00-00 | .GASKET, FLOAT CHAMBER | 2 | |
| 14 | 6L2-14198-00-00 | .GASKET | 2 | |
| 15 | 93210-32738-00 | .O-RING | 1 | |
| 16 | 6L2-45113-A1-00 | .GASKET, UPPER CASING | 1 | |
| 17 | 6L2-41133-A1-00 | .GASKET, EXHAUST MANIFOLD 1 | 1 | |
| 18 | 6L2-W0093-00-00 | CARBURETOR REPAIR KIT | 1 | |
| 19 | 6L2-14198-00-00 | .GASKET | 2 | |
| 20 | 6L2-14384-00-00 | .GASKET, FLOAT CHAMBER | 2 | |
| 21 | 6L2-14385-00-00 | .FLOAT | 2 | |
| 22 | 6E5-14386-01-00 | .PIN, FLOAT | 2 | |
| 23 | 6L2-14392-00-00 | .VALVE | 2 | |
| 24 | 6L2-14399-00-00 | .GASKET | 2 | |
| 25 | 97980-04112-00 | .SCREW, WITH WASHER | 2 | |
| 26 | 6L2-14398-00-00 | .GASKET | 2 | |

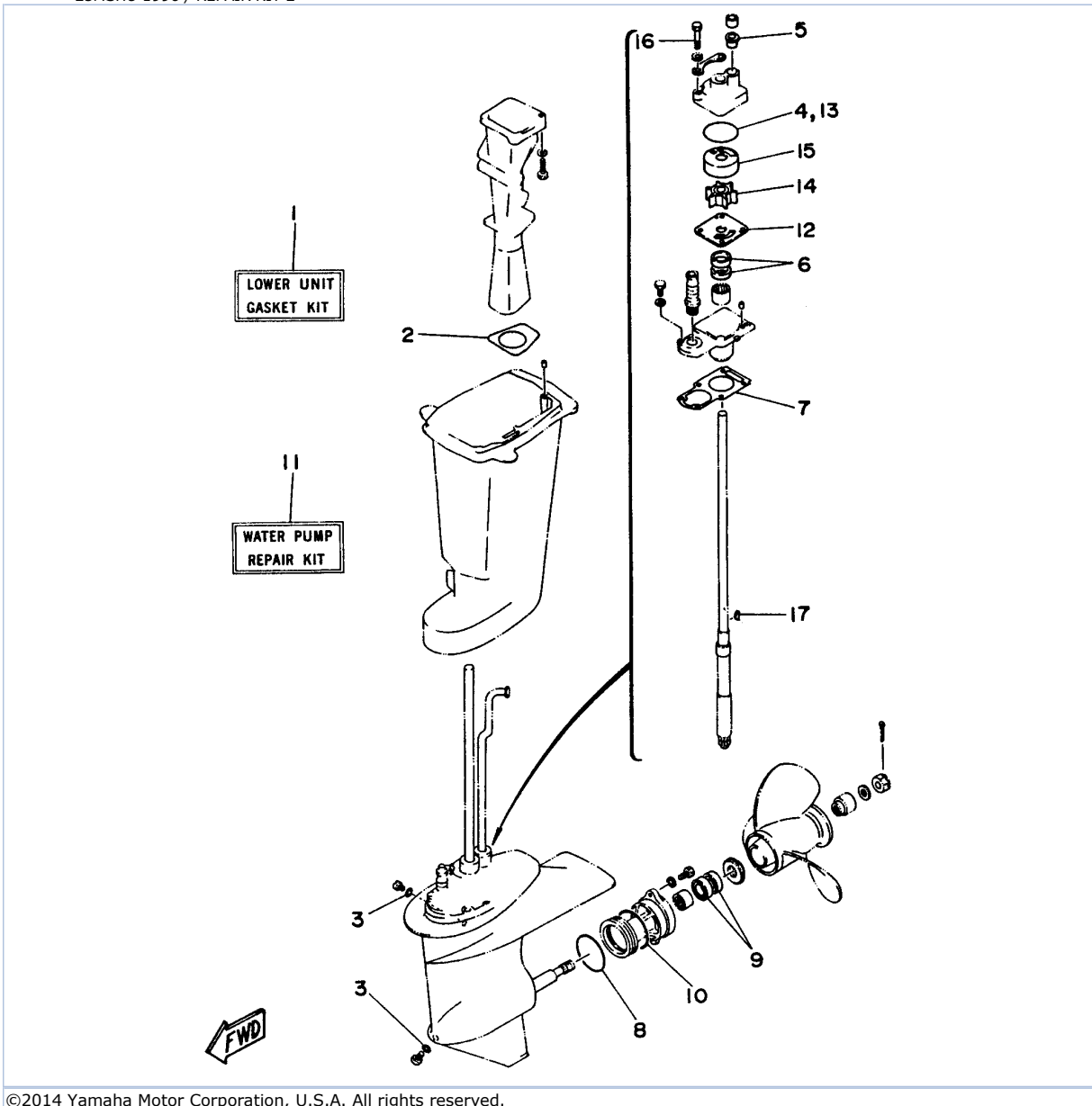
Part Notes

25MSHU 1996 / REPAIR KIT 1

| PART NUMBER | NOTE TEXT |
|---|--|
| 61A-12414-A0-00  | OEM: This part number is among the Top 100 Most Popular Marine Maintenance Parts as of March 2014. |

©2014 Yamaha Motor Corporation, U.S.A. All rights reserved.

25MSHU 1996 / REPAIR KIT 2



©2014 Yamaha Motor Corporation, U.S.A. All rights reserved.


Part List

25MSHU 1996 / REPAIR KIT 2

| REF - NO | PART NUMBER | PART NAME | QUANTITY | REMARKS |
|----------------|-----------------|------------------------------|----------|---------|
| 1 | 6L2-W0001-C3-00 | LOWER UNITGASKETKIT | 1 | |
| 2 | 6L2-41134-00-00 | .GASKET, EXHAUST MANIFOLD | 1 | |
| 3 | 90430-08020-00 | .GASKET | 2 | |
| 4 | 93210-45161-00 | .O-RING | 1 | |
| 5 | 6L2-44367-00-00 | .DAMPER, WATER SEAL 3 | 1 | |
| 6 | 93101-20048-00 | .OIL SEAL | 2 | |
| 7 | 6L2-45315-A0-00 | .PACKING, LOWER CASING | 1 | |
| 8 | 93210-60MA3-00 | .O-RING | 1 | |
| 9 | 93101-20M07-00 | .OIL SEAL | 2 | |
| 10 | 93210-60M99-00 | .O-RING | 1 | |
| 11 | 6L2-W0078-00-00 | WATER PUMP REPAIR KIT | 1 | |
| 12 | 6L2-44323-00-00 | .OUTER PLATE, CARTRIDGE | 1 | |
| 13 | 93210-45161-00 | .O-RING | 1 | |
| 14 | 6L2-44352-00-00 | .IMPELLER | 1 | |
| 15 | 6L2-44322-00-00 | .INSERT, CARTRIDGE | 1 | |
| 16 | 97095-06040-00 | .BOLT | 4 | |
| 17 | 90280-03024-00 | .KEY, WOODRUFF | 1 | |

Part Notes

25MSHU 1996 / REPAIR KIT 2

| PART NUMBER | NOTE TEXT |
|---|--|
| 90430-08020-00  | OEM: This part number is among the Top 100 Most Popular Marine Maintenance Parts as of March 2014. |

©2014 Yamaha Motor Corporation, U.S.A. All rights reserved.

©2014 Yamaha Motor Corporation, U.S.A. All rights reserved.