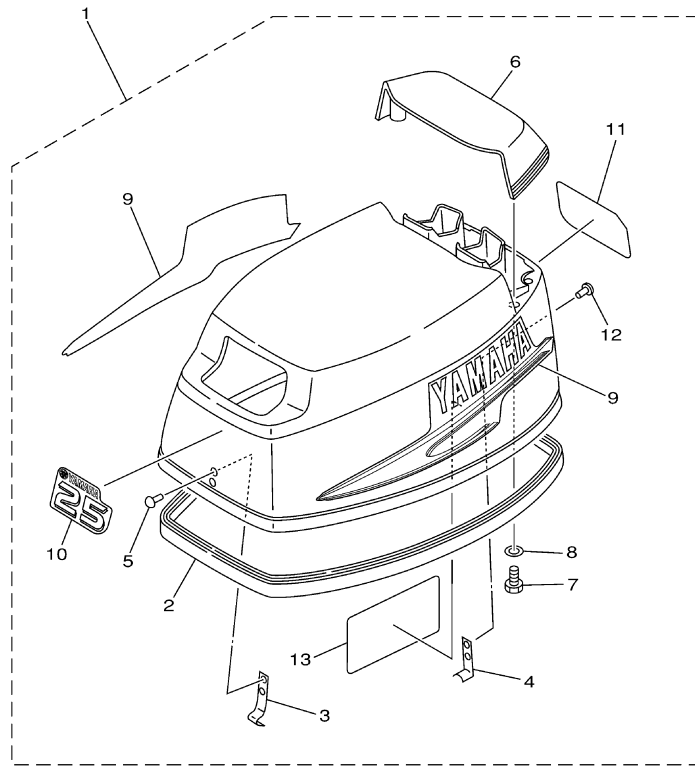


25ELR 0405 / TOP COWLING



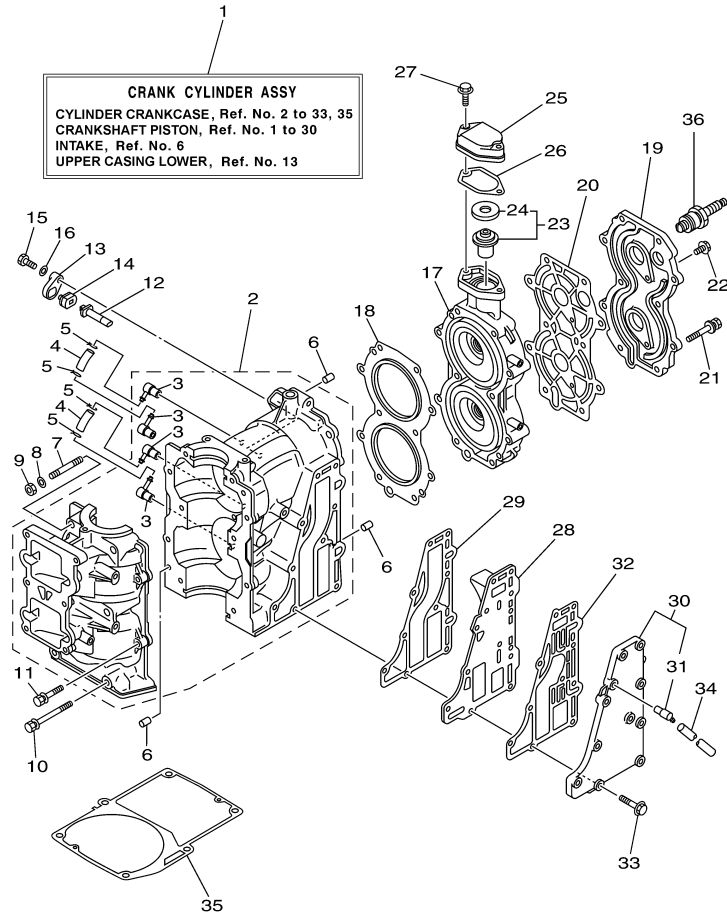
6L21010-2010

## Part List

25ELR 0405 / TOP COWLING

| REF<br>-<br>NO | PART<br>NUMBER  | PART NAME           | QUANTITY | REMARKS |
|----------------|-----------------|---------------------|----------|---------|
| 1              | 6L2-42610-80-4D | TOP COWLING ASSY    | 1        |         |
| 2              | 6L2-42615-00-00 | .SEAL               | 1        |         |
| 3              | 6G1-42651-71-00 | .HOOK               | 1        |         |
| 4              | 6L2-42647-00-00 | .HOLDER, CLAMP BAND | 1        |         |
| 5              | 90266-04M00-00  | .RIVET              | 2        |         |
| 6              | 6L2-42613-01-4D | .MOLDING, AIR DUCT  | 1        |         |
| 7              | 97095-06016-00  | .BOLT               | 4        |         |
| 8              | 92995-06600-00  | .WASHER             | 4        |         |
| 9              | 6L2-W0070-30-00 | .GRAPHIC SET        | 1        |         |
| 10             | 6L2-42677-30-00 | .GRAPHIC, FRONT     | 1        |         |
| 11             | 6L2-42678-30-00 | .GRAPHIC, REAR      | 1        |         |
| 12             | 90266-04M04-00  | .RIVET              | 2        |         |
| 13             | 6L2-13437-00-00 | .MARK, CAUTION      | 1        |         |

25ELR 0405 / CYLINDER CRANKCASE



  
6L25110-E020


## Part List

25ELR 0405 / CYLINDER CRANKCASE

| REF - NO | PART NUMBER     | PART NAME                    | QUANTITY | REMARKS |
|----------|-----------------|------------------------------|----------|---------|
| 1        | 6L2-W0090-04-1S | CRANK CYLINDER ASSY          | 1        | N.O/I   |
| 2        | 6L2-15100-00-1S | CRANKCASE ASSY               | 1        | N.O/I   |
| 3        | 6E5-11372-01-00 | .NIPPLE, HOSE                | 4        |         |
| 4        | 90445-07M15-00  | HOSE (L40)                   | 2        |         |
| 5        | 90467-06016-00  | CLIP                         | 4        |         |
| 6        | 93604-12M07-00  | PIN, DOWEL                   | 4        |         |
| 7        | 95617-08645-00  | BOLT, STUD                   | 2        |         |
| 8        | 90201-08086-00  | WASHER, PLATE                | 2        |         |
| 9        | 95333-08600-00  | NUT                          | 2        |         |
| 10       | 90119-08M65-00  | BOLT, WITH WASHER            | 4        |         |
| 11       | 90119-06M14-00  | BOLT, WITH WASHER            | 4        |         |
| 12       | 6J8-11325-00-00 | ANODE                        | 1        |         |
| 13       | 6H3-11327-00-1S | COVER, ANODE                 | 1        |         |
| 14       | 6H3-11328-00-00 | GROMMET, ANODE               | 1        |         |
| 15       | 97013-06016-00  | BOLT                         | 1        |         |
| 16       | 92903-06600-00  | WASHER, PLATE                | 1        |         |
| 17       | 6L2-11111-01-1S | HEAD, CYLINDER 1             | 1        |         |
| 18       | 6L2-11181-A2-00 | .GASKET, CYLINDER HEAD 1     | 1        |         |
| 19       | 6L2-11191-00-1S | COVER, CYLINDER HEAD 1       | 1        |         |
| 20       | 6L2-11193-A1-00 | .GASKET, HEAD COVER 1        | 1        |         |
| 21       | 90119-08M91-00  | BOLT, WITH WASHER            | 10       |         |
| 22       | 90119-06023-00  | BOLT, WITH WASHER            | 2        |         |
| 23       | 6E5-12411-30-00 | THERMOSTAT                   | 1        |         |
| 24       | 688-12412-00-00 | .SEAL, THERMOSTAT            | 1        |         |
| 25       | 6H4-12413-00-1S | COVER, THERMOSTAT            | 1        |         |
| 26       | 6J8-12414-A0-00 | GASKET, COVER                | 1        |         |
| 27       | 90119-06MA3-00  | BOLT, WITH WASHER            | 2        |         |
| 28       | 6L2-41111-00-1S | INNER COVER, EXHAUST         | 1        |         |
| 29       | 6L2-41112-A2-00 | .GASKET, EXHAUST INNER COVER | 1        |         |
| 30       | 6L2-41113-00-1S | OUTER COVER, EXHAUST         | 1        |         |
| 31       | 676-11372-00-00 | .NIPPLE, HOSE                | 1        |         |
| 32       | 6L2-41114-A1-00 | .GASKET, EXHAUST OUTER COVER | 1        |         |
| 33       | 90119-06MA4-00  | BOLT, WITH WASHER            | 10       |         |
| 34       | 90445-10M40-00  | HOSE (L330)                  | 1        |         |
| 35       | 6L2-45113-A2-00 | .GASKET, UPPER CASING        | 1        |         |
| 36       | NGK-B7HS1-00-00 | PLUG, SPARK (NGK B7HS-10)    | 2        |         |

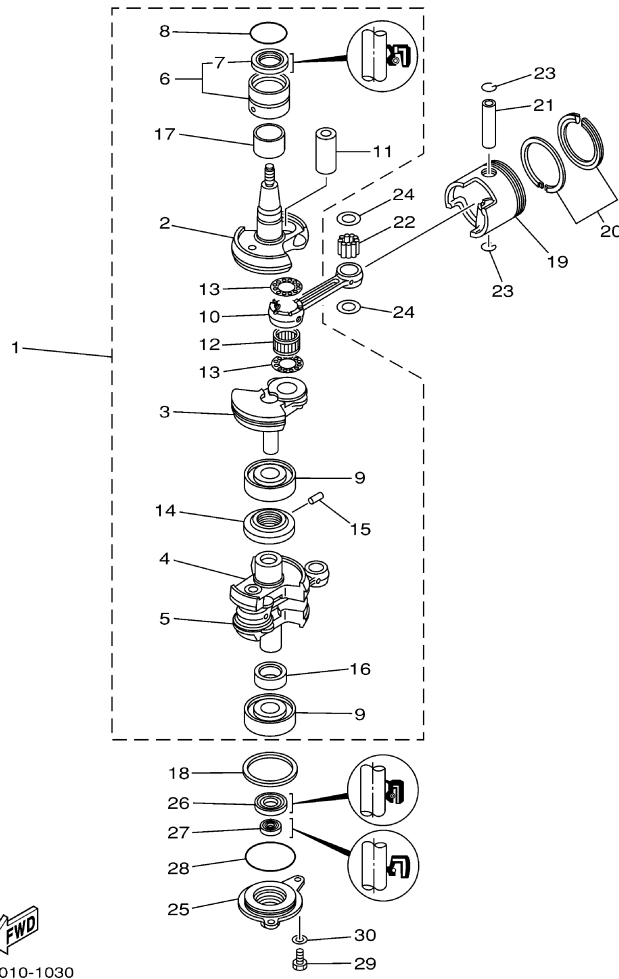
## Part Notes

25ELR 0405 / CYLINDER CRANKCASE

| PART NUMBER   | NOTE TEXT  |
|---|--|
| 6E5-12411-30-00  | OEM: This part number is among the Top 100 Most Popular Marine Maintenance Parts as of March 2014. |

©2014 Yamaha Motor Corporation, U.S.A. All rights reserved.

25ELR 0405 / CRANKSHAFT PISTON



©2014 Yamaha Motor Corporation, U.S.A. All rights reserved.

## Part List

25ELR 0405 / CRANKSHAFT PISTON

| REF<br>-<br>NO | PART<br>NUMBER  | PART NAME                    | QUANTITY | REMARKS |
|----------------|-----------------|------------------------------|----------|---------|
| 1              | 6L2-11400-00-00 | CRANKSHAFT ASSY              | 1        | N.O/I   |
| 2              | 6L2-11412-00-00 | .CRANK 1                     | 1        |         |
| 3              | 6L2-11422-00-00 | .CRANK 2                     | 1        |         |
| 4              | 6L2-11432-00-00 | .CRANK 3                     | 1        |         |
| 5              | 6L2-11442-00-00 | .CRANK 4                     | 1        |         |
| 6              | 93311-632U7-00  | .BEARING                     | 1        |         |
| 7              | 93102-26M27-00  | .OIL SEAL                    | 1        |         |
| 8              | 93210-42159-00  | .O-RING                      | 1        |         |
| 9              | 93306-305U3-00  | .BEARING                     | 2        |         |
| 10             | 6L2-11651-00-00 | .ROD, CONNECTING             | 2        |         |
| 11             | 6L2-11681-00-00 | .PIN, CRANK 1                | 2        |         |
| 12             | 93310-424W9-00  | .BEARING                     | 2        |         |
| 13             | 90209-24M15-00  | .WASHER                      | 4        |         |
| 14             | 6L2-11515-00-00 | .SEAL, LABYRINTH 1           | 1        |         |
| 15             | 91690-30010-00  | .PIN, SPRING                 | 1        |         |
| 16             | 6J8-11445-00-00 | .SPACER                      | 1        | N.O/I   |
| 17             | 90387-28M00-00  | .COLLAR                      | 1        |         |
| 18             | 90201-50306-00  | WASHER, PLATE                | 1        |         |
| 19             | 6L2-11631-00-97 | PISTON (STD)                 | 2        |         |
| 19             | 6L2-11635-00-00 | PISTON (0.25MM O/S)          | 2        | AP      |
| 19             | 6L2-11636-00-00 | PISTON (0.50MM O/S)          | 2        | AP      |
| 20             | 6L2-11610-00-00 | PISTON RING SET (STD)        | 2        |         |
| 20             | 6L2-11610-10-00 | PISTON RING SET (0.25MM O/S) | 2        | AP      |
| 20             | 6L2-11610-20-00 | PISTON RING SET (0.50MM O/S) | 2        | AP      |
| 21             | 648-11633-00-00 | PIN, PISTON                  | 2        |         |
| 22             | 93602-18M12-00  | PIN, DOWEL                   | 62       |         |
| 23             | 93450-20026-00  | CIRCLIP                      | 4        |         |
| 24             | 90201-18522-00  | WASHER, PLATE                | 4        |         |
| 25             | 6L2-15396-00-1S | HOUSING, OIL SEAL            | 1        |         |
| 26             | 93102-25142-00  | .OIL SEAL                    | 1        |         |
| 27             | 93101-13M37-00  | .OIL SEAL                    | 1        |         |
| 28             | 93210-56M80-00  | .O-RING                      | 1        |         |
| 29             | 97095-06016-00  | BOLT                         | 2        |         |
| 30             | 92995-06600-00  | WASHER                       | 2        |         |



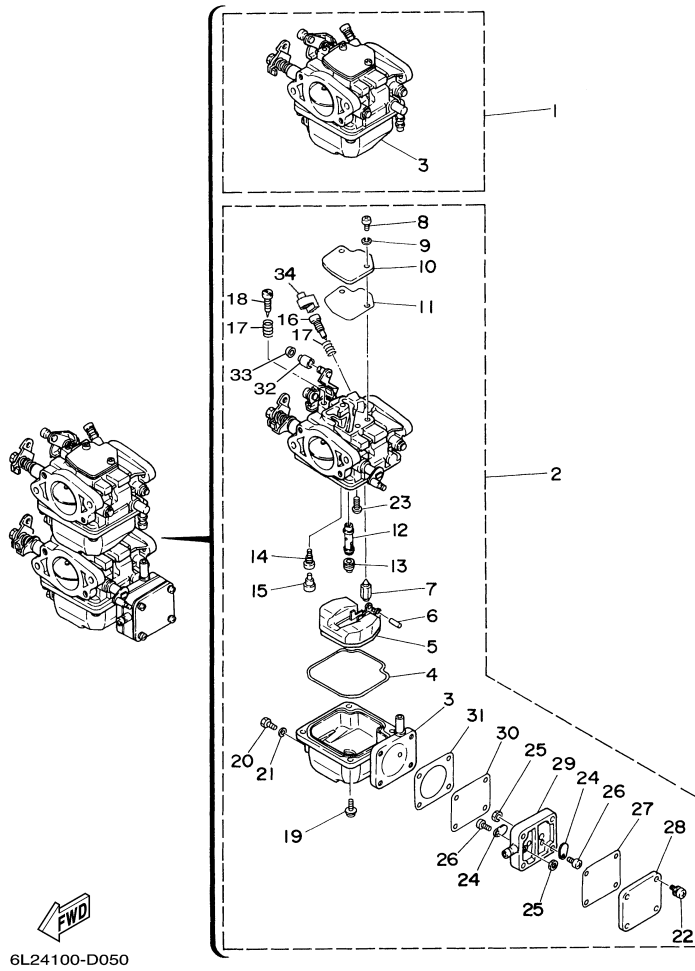
## Part List

25ELR 0405 / INTAKE

| REF<br>-<br>NO | PART<br>NUMBER  | PART NAME           | QUANTITY | REMARKS |
|----------------|-----------------|---------------------|----------|---------|
| 1              | 6L2-13610-00-00 | REED VALVE ASSY     | 2        |         |
| 2              | 6L2-W0004-00-00 | .REED SET           | 1        |         |
| 3              | 97880-05016-00  | SCREW, PAN HEAD     | 4        |         |
| 4              | 92990-05600-00  | WASHER, PLATE       | 4        |         |
| 5              | 6L2-13641-00-94 | MANIFOLD 1          | 1        |         |
| 6              | 6L2-13621-00-00 | .GASKET, VALVE SEAT | 1        |         |
| 7              | 97013-06025-00  | BOLT                | 6        |         |
| 8              | 92903-06600-00  | WASHER, PLATE       | 6        |         |
| 9              | 90445-09012-00  | HOSE (L70)          | 1        |         |
| 10             | 90467-08004-00  | CLIP                | 2        |         |
| 11             | 6L2-14198-00-00 | .GASKET             | 2        |         |
| 12             | 6L2-14417-00-94 | COVER 1             | 1        |         |
| 13             | 6L2-14476-00-00 | SEAL                | 1        |         |
| 14             | 93210-35M86-00  | .O-RING             | 2        |         |
| 15             | 97013-05012-00  | BOLT                | 4        |         |
| 16             | 92903-05600-00  | WASHER, PLATE       | 4        |         |
| 17             | 97513-06585-00  | BOLT, WITH WASHER   | 4        |         |
| 18             | 6L2-14476-11-00 | SEAL                | 1        |         |
| 19             | 6L2-14418-00-00 | COVER 2             | 1        |         |
| 20             | 97880-05016-00  | SCREW, PAN HEAD     | 4        |         |
| 21             | 92990-05600-00  | WASHER, PLATE       | 4        |         |
| 22             | 6J8-41259-00-00 | ROD, CHOKE 3        | 1        |         |
| 23             | 661-41262-02-00 | JOINT, CHOKE LEVER  | 3        |         |
| 24             | 6J8-41271-01-00 | KNOB, CHOKE         | 1        |         |
| 25             | 6L2-41257-00-00 | ROD, CHOKE 2        | 1        |         |
| 26             | 6L2-41217-00-00 | ROD, ACCEL. LEVER   | 1        |         |
| 27             | 6A1-83625-41-00 | MARK 5              | 1        |         |



25ELR 0405 / CARBURETOR

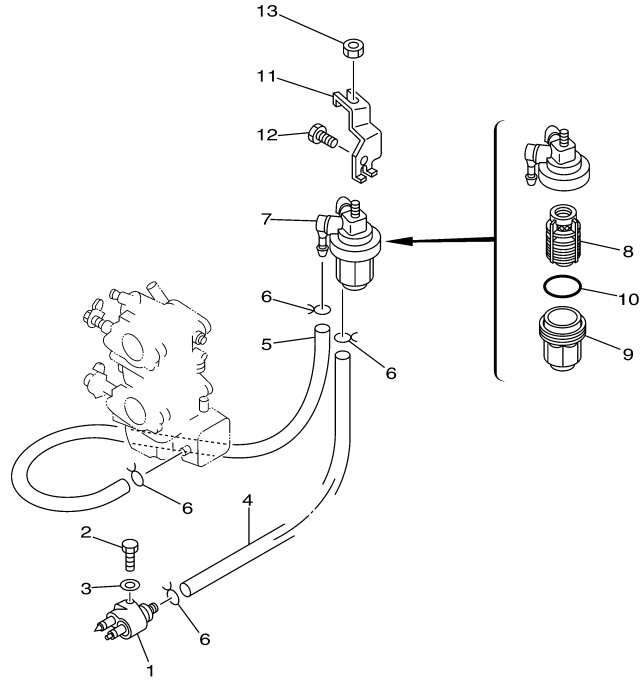


## Part List

25ELR 0405 / CARBURETOR

| REF<br>-<br>NO | PART<br>NUMBER  | PART NAME                | QUANTITY | REMARKS |
|----------------|-----------------|--------------------------|----------|---------|
| 1              | 6L2-14301-11-00 | CARBURETOR ASSY 1        | 1        | #1      |
| 2              | 6L2-14302-11-00 | CARBURETOR ASSY 2        | 1        | #2      |
| 3              | 6L2-14383-00-00 | .SCREW, DRAIN            | 1        | #2      |
| 3              | 6L2-14381-00-00 | .BODY, FLOAT CHAMBER 1   | 1        | #1      |
| 4              | 6L2-14384-00-00 | .GASKET, FLOAT CHAMBER   | 2        |         |
| 5              | 6L2-14385-00-00 | .FLOAT                   | 2        |         |
| 6              | 6E5-14386-01-00 | .PIN, FLOAT              | 2        |         |
| 7              | 6L2-14392-00-00 | .VALVE                   | 2        |         |
| 8              | 97880-04010-00  | .SCREW, PAN HEAD         | 4        |         |
| 9              | 92900-04100-00  | .WASHER                  | 4        |         |
| 10             | 6L2-14157-00-00 | .COVER, MIXING           | 2        |         |
| 11             | 6L2-14399-00-00 | .GASKET                  | 2        |         |
| 12             | 6L2-14341-00-00 | .NOZZLE, MAIN            | 2        |         |
| 13             | 30X-14343-63-00 | .JET, MAIN (125)         | 2        |         |
| 14             | 6L2-14342-30-00 | .JET, PILOT (60)         | 2        |         |
| 15             | 50M-14355-00-00 | .PLUG                    | 2        |         |
| 16             | 6L2-14323-11-00 | ..SCREW, AIR ADJUSTING   | 2        |         |
| 17             | 646-14212-01-00 | .SPRING, PILOT ADJUSTING | 4        |         |
| 18             | 664-14321-01-00 | .SCREW, THROTTLE         | 2        |         |
| 19             | 97980-04112-00  | .SCREW, WITH WASHER      | 8        |         |
| 20             | 677-14383-01-00 | .SCREW, DRAIN            | 2        |         |
| 21             | 6L2-14398-00-00 | .GASKET                  | 2        |         |
| 22             | 677-24444-01-00 | .SCREW                   | 4        |         |
| 23             | 98980-04006-00  | .SCREW, BIND             | 2        |         |
| 24             | 6A0-24421-01-00 | .VALVE, CHECK            | 2        |         |
| 25             | 95380-03600-00  | .NUT                     | 2        |         |
| 26             | 6E7-14325-00-00 | .SCREW, PAN HEAD         | 2        |         |
| 27             | 6L2-24435-00-00 | .GASKET, BODY 2          | 1        |         |
| 28             | 6L2-24413-00-00 | .BODY 2                  | 1        |         |
| 29             | 682-24412-01-00 | .BODY 1                  | 1        |         |
| 30             | 677-24411-02-00 | .DIAPHRAGM               | 1        |         |
| 31             | 677-24434-02-00 | .GASKET, BODY            | 1        |         |
| 32             | 6L2-14578-01-00 | .COLLAR                  | 1        | #2      |
| 33             | 6L2-14584-00-00 | .STOPPER                 | 1        | #2      |
| 34             | 6L2-14118-00-00 | ..CAP                    | 1        |         |

25ELR 0405 / FUEL 1



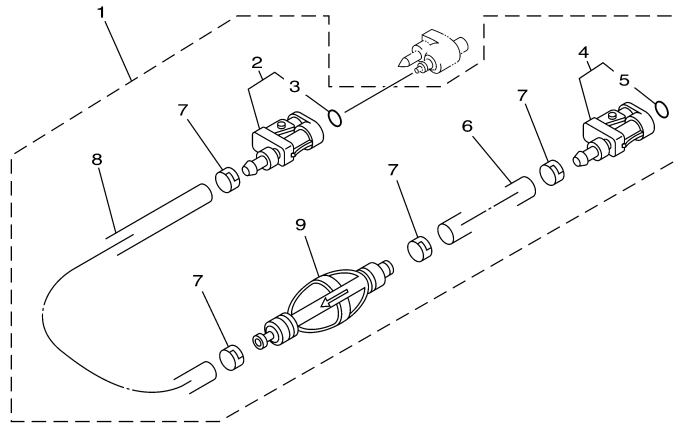
6L23100-C060

## Part List

25ELR 0405 / FUEL 1

| REF<br>-<br>NO | PART<br>NUMBER  | PART NAME               | QUANTITY | REMARKS |
|----------------|-----------------|-------------------------|----------|---------|
| 1              | 6G1-24304-02-00 | FUEL PIPE JOINT COMP. 1 | 1        |         |
| 2              | 97095-06020-00  | BOLT                    | 1        |         |
| 3              | 92995-06600-00  | WASHER                  | 1        |         |
| 4              | 6H4-24311-00-00 | PIPE, FUEL 1            | 1        |         |
| 5              | 6L2-24311-00-00 | PIPE, FUEL 1            | 1        |         |
| 6              | 90467-08004-00  | CLIP                    | 4        |         |
| 7              | 61N-24560-00-00 | FILTER ASSY             | 1        |         |
| 8              | 61N-24563-00-00 | .ELEMENT, FILTER        | 1        |         |
| 9              | 61N-24521-00-00 | .CUP, FILTER            | 1        |         |
| 10             | 93210-32738-00  | .O-RING                 | 1        |         |
| 11             | 6L2-24566-00-00 | BRACKET, FILTER         | 1        |         |
| 12             | 97013-06014-00  | BOLT                    | 1        |         |
| 13             | 95380-08600-00  | NUT                     | 1        |         |

25ELR 0405 / FUEL 2



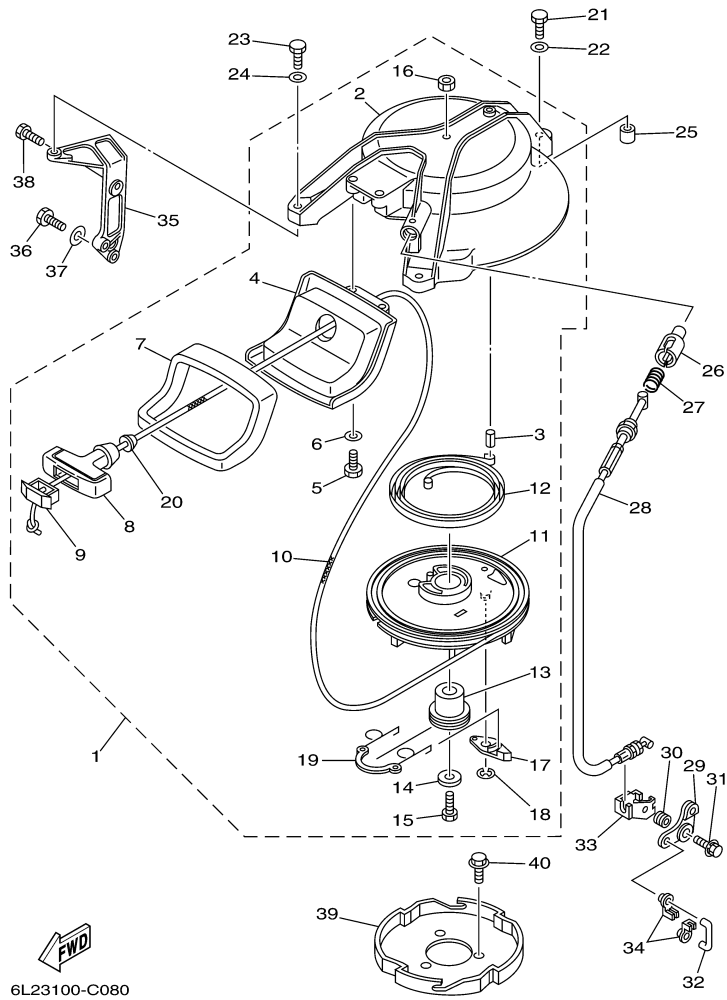
68R3100-C100

## Part List

25ELR 0405 / FUEL 2

| REF<br>-<br>NO | PART<br>NUMBER  | PART NAME               | QUANTITY | REMARKS |
|----------------|-----------------|-------------------------|----------|---------|
| 1              | 6Y2-24306-56-00 | FUEL PIPE COMP. 1       | 1        | AP      |
| 2              | 6E5-24305-06-00 | .FUEL PIPE JOINT COMP 2 | 1        |         |
| 3              | 93210-08287-00  | ..O-RING                | 1        |         |
| 4              | 6Y2-24305-06-00 | .FUEL PIPE JOINT COMP 2 | 1        |         |
| 5              | 93210-08287-00  | ..O-RING                | 1        |         |
| 6              | 90445-13M01-00  | .HOSE (L2050)           | 1        |         |
| 7              | 6E5-24351-51-00 | .BAND 1                 | 4        |         |
| 8              | 90445-13M00-00  | .HOSE (L850)            | 1        |         |
| 9              | 6Y2-24360-60-00 | .PRIMER PUMP ASSY       | 1        |         |

25ELR 0405 / STARTER



©2014 Yamaha Motor Corporation, U.S.A. All rights reserved.

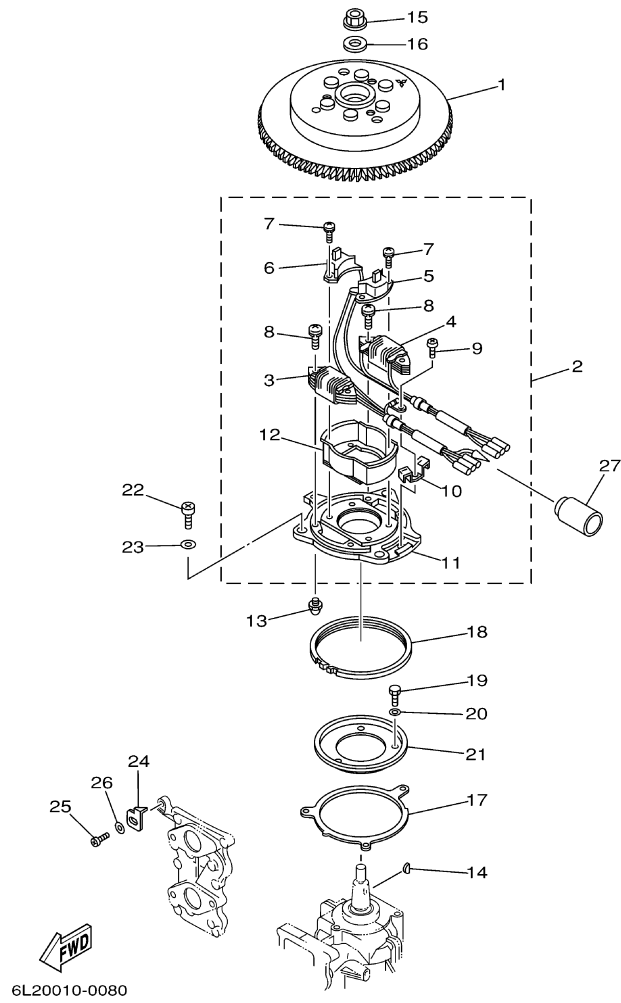
## Part List

25ELR 0405 / STARTER

| REF<br>-<br>NO | PART<br>NUMBER  | PART NAME                 | QUANTITY | REMARKS                   |
|----------------|-----------------|---------------------------|----------|---------------------------|
| 1              | 6L2-15710-02-00 | STARTER ASSY              | 1        |                           |
| 2              | 6L2-15711-00-94 | .CASE, STARTER            | 1        |                           |
| 3              | 91690-40014-00  | .PIN, SPRING              | 1        |                           |
| 4              | 6L2-15758-01-94 | .GUIDE, ROPE              | 1        |                           |
| 5              | 97095-06016-00  | .BOLT                     | 2        |                           |
| 6              | 92995-06600-00  | .WASHER                   | 2        |                           |
| 7              | 6L2-15762-00-00 | .SEAL, RUBBER 2           | 1        |                           |
| 8              | 689-15755-01-00 | .HANDLE, STARTER          | 1        |                           |
| 9              | 6F5-15779-02-00 | .COVER                    | 1        |                           |
| 10             | 90890-44373-00  | ROPE, STARTER             | 1        | UNAVAILABLE, CUT TO 1.95M |
| 11             | 6J8-15714-00-00 | .DRUM, SHEAVE             | 1        |                           |
| 12             | 90510-08M04-00  | .SPRING, SPIRAL           | 1        |                           |
| 13             | 677-15717-01-00 | .SHAFT, STARTER           | 1        |                           |
| 14             | 90201-06060-00  | .WASHER, PLATE            | 1        |                           |
| 15             | 97013-06025-00  | .BOLT                     | 1        |                           |
| 16             | 95303-06700-00  | .NUT                      | 1        |                           |
| 17             | 676-15741-03-00 | .PAWL, DRIVE              | 1        |                           |
| 18             | 93430-06M02-00  | .CIRCLIP                  | 1        |                           |
| 19             | 6J8-15705-00-00 | .SPRING, DRIVE PAWL       | 1        |                           |
| 20             | 6A0-15789-00-00 | .DAMPER                   | 1        |                           |
| 21             | 97095-06035-00  | BOLT                      | 1        |                           |
| 22             | 92995-06600-00  | WASHER                    | 1        |                           |
| 23             | 97095-06025-00  | BOLT                      | 2        |                           |
| 24             | 92995-06600-00  | WASHER                    | 2        |                           |
| 25             | 99530-10014-00  | PIN, DOWEL                | 1        |                           |
| 26             | 656-15748-00-00 | PLUNGER, STARTER STOP     | 1        |                           |
| 27             | 90501-10227-00  | SPRING, COMPRESSION       | 1        |                           |
| 28             | 6L2-15770-00-00 | CABLE COMP., STARTER STOP | 1        |                           |
| 29             | 6L2-15746-00-00 | ARM                       | 1        |                           |
| 30             | 90387-06M51-00  | COLLAR                    | 1        |                           |
| 31             | 90119-06M53-00  | BOLT, WITH WASHER         | 1        |                           |
| 32             | 6L2-15747-00-00 | LINK                      | 1        |                           |
| 33             | 6L2-15774-00-00 | STAY 4                    | 1        |                           |
| 34             | 661-41262-02-00 | JOINT, CHOKE LEVER        | 2        |                           |
| 35             | 6L2-15772-00-94 | STAY 2                    | 1        |                           |
| 36             | 97013-06020-00  | BOLT                      | 1        |                           |
| 37             | 92903-06600-00  | WASHER, PLATE             | 1        |                           |
| 38             | 97095-06020-00  | BOLT                      | 1        |                           |
| 39             | 6L2-15723-01-00 | PULLEY, STARTER           | 1        |                           |
| 40             | 90105-08M10-00  | BOLT, FLANGE              | 3        |                           |



25ELR 0405 / GENERATOR



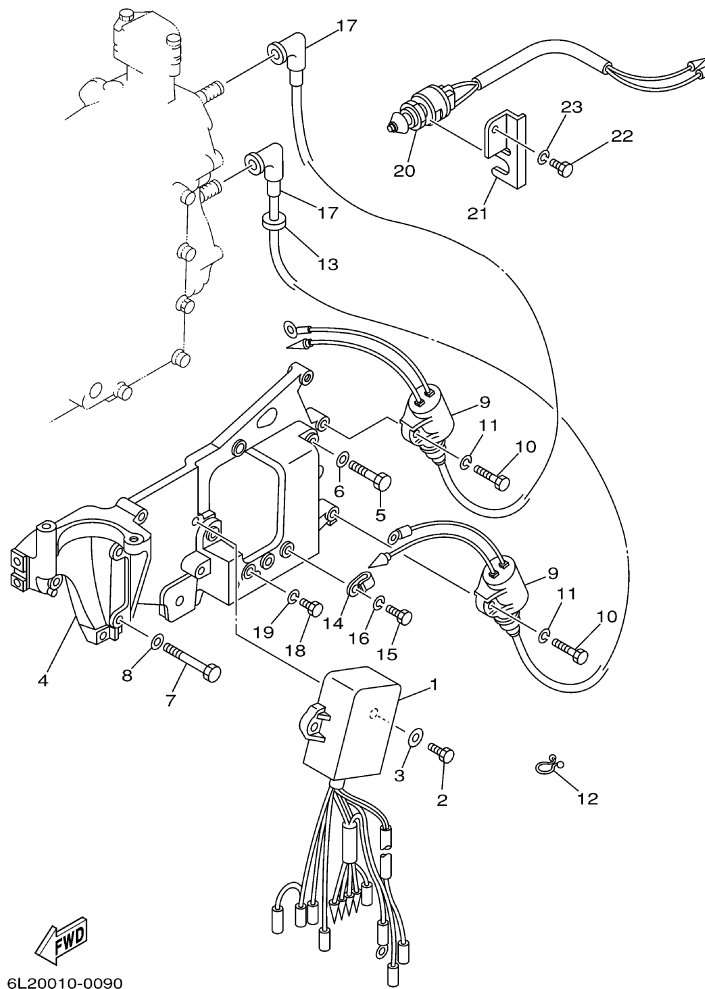
©2014 Yamaha Motor Corporation, U.S.A. All rights reserved.

## Part List

25ELR 0405 / GENERATOR

| REF<br>-<br>NO | PART<br>NUMBER  | PART NAME              | QUANTITY | REMARKS |
|----------------|-----------------|------------------------|----------|---------|
| 1              | 6L2-85550-00-00 | ROTOR ASSY             | 1        | MH      |
| 1              | 6L2-85550-10-00 | ROTOR ASSY             | 1        | EH/ER   |
| 2              | 6L2-85560-10-00 | BASE ASSY              | 1        |         |
| 3              | 6L2-85520-11-00 | .COIL, CHARGE          | 1        |         |
| 4              | 6L2-85533-10-00 | .COIL, LIGHTING        | 1        |         |
| 5              | 6L2-85580-10-00 | .COIL, PULSER          | 1        |         |
| 6              | 6L2-85580-20-00 | .COIL, PULSER          | 1        |         |
| 7              | 97607-04110-00  | .SCREW,WITH WASHER     | 4        |         |
| 8              | 97607-06125-00  | .SCREW,WITH WASHER     | 4        |         |
| 9              | 97802-04006-00  | .SCREW, PAN HEAD       | 1        |         |
| 10             | 6E9-81328-70-00 | .CLAMP                 | 1        |         |
| 11             | 6L2-85561-10-00 | .BASE, MAGNETO         | 1        |         |
| 12             | 61N-85537-00-00 | .COVER                 | 1        |         |
| 13             | 663-85518-00-00 | JOINT, BALL            | 1        |         |
| 14             | 90280-05013-00  | KEY, WOODRUFF          | 1        |         |
| 15             | 90179-12M04-00  | NUT                    | 1        |         |
| 16             | 90201-13M42-00  | WASHER, PLATE          | 1        |         |
| 17             | 6G1-41611-00-00 | RETAINER, MAGNETO BASE | 1        |         |
| 18             | 695-41613-00-00 | PLATE, BASE FRICTION   | 1        |         |
| 19             | 97095-06012-00  | BOLT                   | 3        |         |
| 20             | 92995-06600-00  | WASHER                 | 3        |         |
| 21             | 6G1-41612-00-00 | RETAINER, MAGNETO BASE | 1        |         |
| 22             | 97885-05010-00  | .SCREW, PAN HEAD       | 3        |         |
| 23             | 92995-05600-00  | WASHER                 | 3        |         |
| 24             | 6L2-81332-00-00 | PLATE, TIMING          | 1        |         |
| 25             | 97885-05010-00  | .SCREW, PAN HEAD       | 1        |         |
| 26             | 92995-05600-00  | WASHER                 | 1        |         |
| 27             | 6L2-82599-01-00 | COVER, CONNECTER       | 1        |         |

25ELR 0405 / ELECTRICAL 1



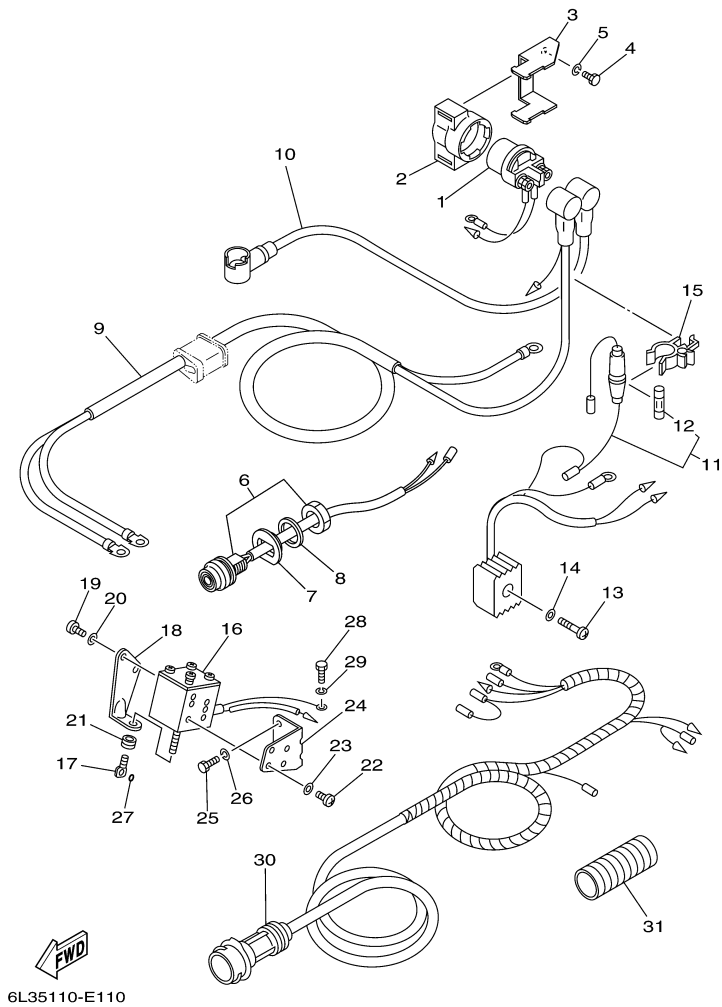
©2014 Yamaha Motor Corporation, U.S.A. All rights reserved.

## Part List

25ELR 0405 / ELECTRICAL 1

| REF<br>-<br>NO | PART<br>NUMBER  | PART NAME            | QUANTITY | REMARKS |
|----------------|-----------------|----------------------|----------|---------|
| 1              | 6L2-85540-23-00 | C.D.I. UNIT ASSY     | 1        |         |
| 2              | 97095-06020-00  | BOLT                 | 2        |         |
| 3              | 92995-06600-00  | WASHER               | 2        |         |
| 4              | 6L2-85542-02-94 | BRACKET              | 1        |         |
| 5              | 97075-06030-00  | BOLT                 | 3        |         |
| 6              | 92995-06600-00  | WASHER               | 3        |         |
| 7              | 90101-06M16-00  | BOLT                 | 2        |         |
| 8              | 92903-06600-00  | WASHER, PLATE        | 2        |         |
| 9              | 61N-85570-00-00 | IGNITION COIL ASSY   | 2        |         |
| 10             | 97095-06020-00  | BOLT                 | 2        |         |
| 11             | 92995-06100-00  | WASHER, SPRING       | 2        |         |
| 12             | 90464-05M16-00  | CLAMP                | 1        |         |
| 13             | 90480-25161-00  | GROMMET              | 1        |         |
| 14             | 90465-06M90-00  | CLAMP                | 1        |         |
| 15             | 97095-06012-00  | BOLT                 | 1        |         |
| 16             | 92995-06100-00  | WASHER, SPRING       | 1        |         |
| 17             | 663-82370-01-00 | PLUG CAP ASSY        | 2        |         |
| 18             | 97095-06012-00  | BOLT                 | 2        |         |
| 19             | 92995-06100-00  | WASHER, SPRING       | 2        |         |
| 20             | 6H3-82540-00-00 | NEUTRAL SWITCH ASSY  | 1        | EH      |
| 21             | 6L2-82554-00-00 | STAY, NEUTRAL SWITCH | 1        | EH      |
| 22             | 97095-06012-00  | BOLT                 | 1        | EH      |
| 23             | 92995-06100-00  | WASHER, SPRING       | 1        | EH      |

25ELR 0405 / ELECTRICAL 2



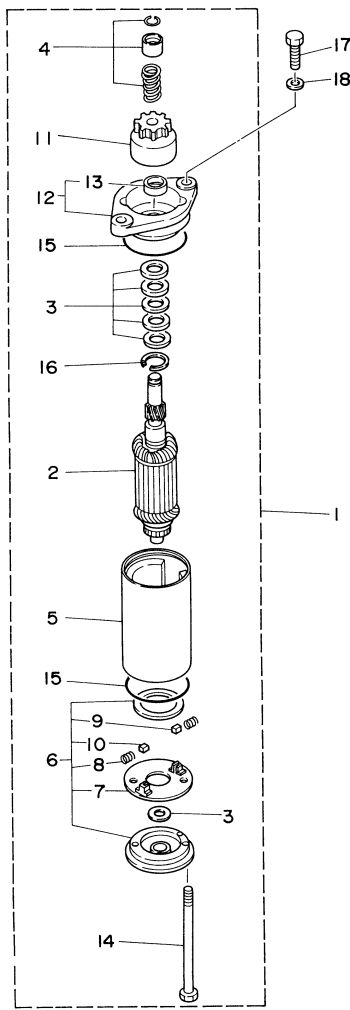
©2014 Yamaha Motor Corporation, U.S.A. All rights reserved.

## Part List

25ELR 0405 / ELECTRICAL 2

| REF<br>-<br>NO | PART<br>NUMBER  | PART NAME             | QUANTITY | REMARKS |
|----------------|-----------------|-----------------------|----------|---------|
| 1              | 6G1-81941-10-00 | STARTER RELAY ASSY    | 1        | EH/ER   |
| 2              | 6G1-81952-00-00 | HOLDER, RELAY         | 1        | EH/ER   |
| 3              | 6L2-81945-00-00 | PLATE, SWITCH FITTING | 1        | EH/ER   |
| 4              | 97095-06012-00  | BOLT                  | 1        | EH/ER   |
| 5              | 92995-06100-00  | WASHER, SPRING        | 1        | EH/ER   |
| 6              | 689-81870-00-00 | STARTING SWITCH ASSY  | 1        | EH      |
| 7              | 6L2-84387-00-00 | HOLDER                | 1        | EH      |
| 8              | 90202-17M35-00  | WASHER, PLATE         | 1        | EH      |
| 9              | 6G1-82105-01-00 | BATTERY CABLE         | 1        | EH/ER   |
| 10             | 6G1-82117-00-00 | WIRE, LEAD            | 1        | EH/ER   |
| 11             | 6G1-81970-61-00 | RECTIFIER ASSY        | 1        | EH/ER   |
| 12             | 6G1-82151-00-00 | .FUZE (10A)           | 1        |         |
| 13             | 97880-05025-00  | SCREW, PAN HEAD       | 1        | EH/ER   |
| 14             | 92990-05600-00  | WASHER, PLATE         | 1        | EH/ER   |
| 15             | 6G5-82152-00-00 | HOLDER, FUSE          | 1        | EH/ER   |
| 16             | 6L2-86111-00-00 | COIL, SOLENOID        | 1        | ER      |
| 17             | 682-86117-00-00 | HOOK, WIRE PULL       | 1        | ER      |
| 18             | 6L2-86115-00-00 | HOLDER, SOLENOID      | 1        | ER      |
| 19             | 97880-05008-00  | SCREW, PAN HEAD       | 2        | ER      |
| 20             | 92990-05600-00  | WASHER, PLATE         | 2        | ER      |
| 21             | 90480-10155-00  | GROMMET               | 1        | ER      |
| 22             | 97880-04008-00  | SCREW, PAN HEAD       | 4        | ER      |
| 23             | 92990-04600-00  | WASHER, PLATE         | 4        | ER      |
| 24             | 6L2-86112-00-00 | STAY, SOLENOID        | 1        | ER      |
| 25             | 97095-06012-00  | BOLT                  | 2        | ER      |
| 26             | 92995-06100-00  | WASHER, SPRING        | 2        | ER      |
| 27             | 93210-03261-00  | O-RING                | 1        | ER      |
| 28             | 97095-06012-00  | BOLT                  | 1        | ER      |
| 29             | 92995-06100-00  | WASHER, SPRING        | 1        | ER      |
| 30             | 6L2-82590-00-00 | WIRE HARNESS ASSY     | 1        | ER      |
| 31             | 6K3-83557-00-00 | TUBE                  | 1        | EH/ER   |

25ELR 0405 / STARTING MOTOR



  
6L20010-4120

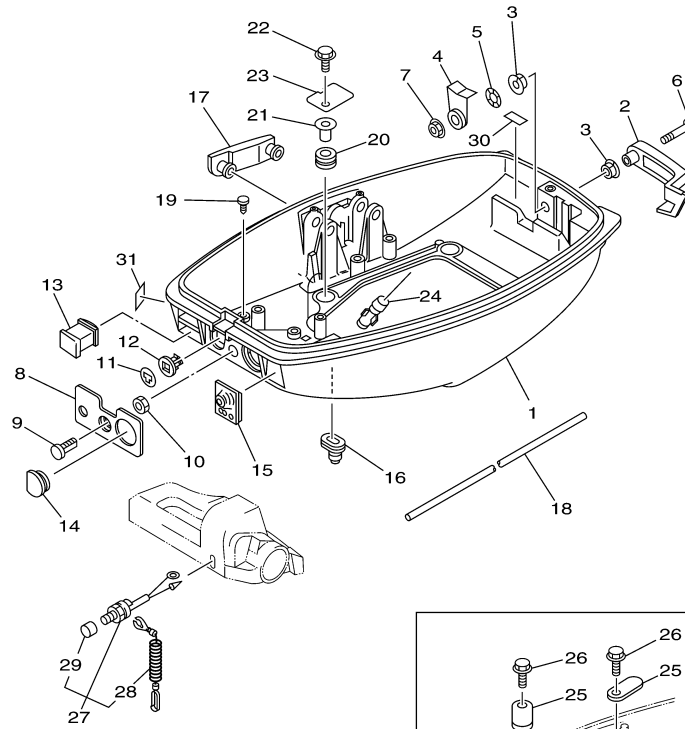
## Part List

25ELR 0405 / STARTING MOTOR

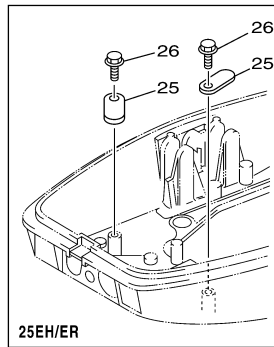
| REF<br>-<br>NO | PART<br>NUMBER  | PART NAME           | QUANTITY | REMARKS |
|----------------|-----------------|---------------------|----------|---------|
| 1              | 6L2-81800-20-00 | STARTING MOTOR ASSY | 1        | EH/ER   |
| 2              | 6L2-81850-20-00 | .ARMATURE ASSY      | 1        |         |
| 3              | 682-81809-10-00 | .WASHER KIT         | 1        |         |
| 4              | 6L2-81833-10-00 | .RING, STOP         | 1        |         |
| 5              | 682-81810-11-00 | .STATOR ASSY        | 1        |         |
| 6              | 6L2-81820-20-00 | .REAR BRACKET ASSY  | 1        |         |
| 7              | 6L2-81840-20-00 | ..BRUSH HOLDER ASSY | 1        |         |
| 8              | 682-81813-10-00 | ..SPRING, BRUSH     | 2        |         |
| 9              | 6L2-81811-20-00 | ..BRUSH 1           | 1        |         |
| 10             | 6L2-81812-20-00 | ..BRUSH 2           | 1        |         |
| 11             | 682-81832-20-00 | .CLUTCH, OVER RUN   | 1        |         |
| 12             | 682-81830-11-00 | .FRONT BRACKET ASSY | 1        |         |
| 13             | 682-81831-00-00 | ..METAL, FRONT      | 1        |         |
| 14             | 682-81826-10-00 | .BOLT               | 2        |         |
| 15             | 682-81847-10-00 | .O-RING             | 2        |         |
| 16             | 682-81834-10-00 | .RING               | 1        |         |
| 17             | 97013-08025-00  | BOLT                | 2        | EH/ER   |
| 18             | 92903-08600-00  | WASHER, PLATE       | 2        | EH/ER   |



25ELR 0405 / BOTTOM COWLING



6L25110-E130




## Part List

25ELR 0405 / BOTTOM COWLING

| REF - NO | PART NUMBER     | PART NAME               | QUANTITY | REMARKS |
|----------|-----------------|-------------------------|----------|---------|
| 1        | 6L2-42711-03-4D | COWLING, BOTTOM 1       | 1        |         |
| 2        | 6L2-42815-01-4D | LEVER, CLAMP            | 1        |         |
| 3        | 90386-12M45-00  | BUSH                    | 2        |         |
| 4        | 6L2-42816-00-00 | LEVER, CLAMP            | 1        |         |
| 5        | 90206-12052-00  | WASHER, WAVE            | 1        |         |
| 6        | 97880-06035-00  | SCREW, PAN HEAD         | 1        |         |
| 7        | 95780-06300-00  | NUT, FLANGE             | 1        |         |
| 8        | 6L2-42719-10-00 | PANEL, FRONT LOWER      | 1        | EH      |
| 8        | 6L2-42719-00-00 | PANEL, FRONT LOWER      | 1        | MH/ER   |
| 9        | 6L2-42724-00-00 | GROMMET                 | 1        |         |
| 10       | 90170-12M13-00  | NUT                     | 1        |         |
| 11       | 689-41273-00-00 | GROMMET                 | 1        |         |
| 12       | 6J8-41274-00-00 | GROMMET 2               | 1        |         |
| 13       | 6L2-42725-00-00 | GROMMET                 | 1        | MH      |
| 13       | 6L2-42725-50-00 | GROMMET                 | 1        | ER      |
| 13       | 6L2-42725-40-00 | GROMMET                 | 1        | EH      |
| 14       | 6G1-42724-00-00 | GROMMET                 | 1        | MH/ER   |
| 15       | 6L2-42726-10-00 | GROMMET                 | 1        | ER      |
| 15       | 6L2-42726-01-00 | GROMMET                 | 1        | MH/EH   |
| 16       | 6G1-42727-00-00 | GROMMET                 | 1        |         |
| 17       | 6L2-42748-01-00 | GROMMET                 | 1        | MH/EH   |
| 18       | 6L2-42716-00-00 | RUBBER, SEAL 1          | 1        |         |
| 19       | 90338-05M03-00  | PLUG                    | 2        | MH/EH   |
| 20       | 90480-15M31-00  | GROMMET                 | 4        |         |
| 21       | 90387-06M52-00  | COLLAR                  | 4        |         |
| 22       | 95895-06020-00  | BOLT, FLANGE            | 4        |         |
| 23       | 6L2-42738-01-00 | PLATE, FITTING          | 2        |         |
| 24       | 6H3-44391-01-00 | NIPPLE, HOSE            | 1        |         |
| 25       | 6E5-82588-00-00 | PLATE                   | 2        | EH/ER   |
| 26       | 95895-06016-00  | BOLT, FLANGE            | 2        | EH/ER   |
| 27       | 6L2-82575-00-00 | ENGINE STOP SWITCH ASSY | 1        | MH/EH   |
| 28       | 682-82556-00-00 | .LANYARD, STOP SWITCH   | 1        |         |
| 29       | 689-8257Y-00-00 | .CAP                    | 1        |         |
| 30       | 6E7-42791-00-00 | MARK 1                  | 1        |         |
| 31       | 6A1-42792-01-00 | MARK (100:1)            | 1        |         |

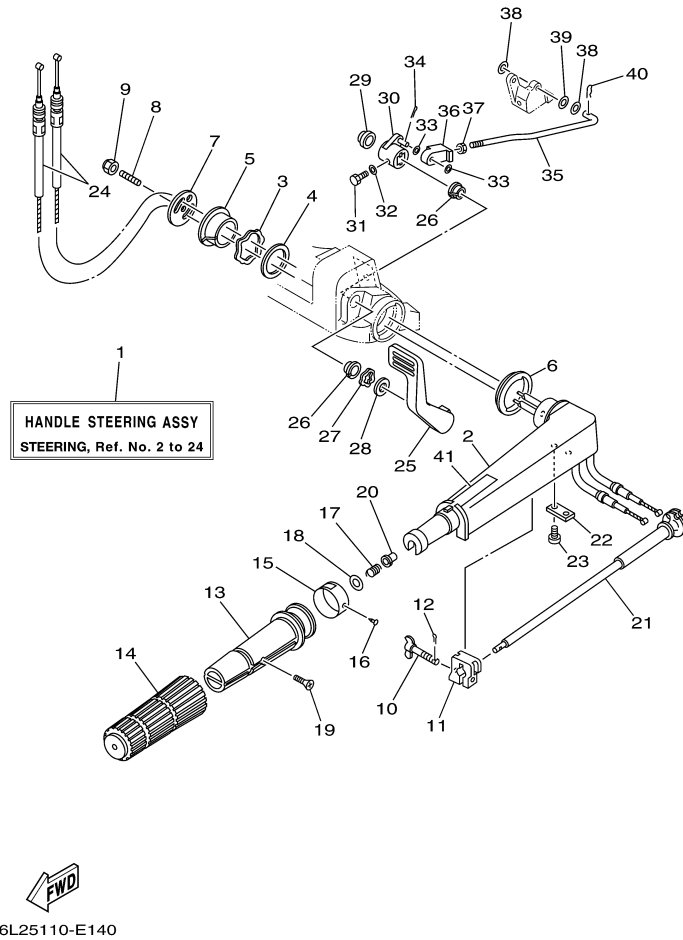
## Part Notes

25ELR 0405 / BOTTOM COWLING

| PART NUMBER   | NOTE TEXT  |
|---|--|
| 682-82556-00-00  | OEM: This part number is among the Top 100 Most Popular Marine Maintenance Parts as of March 2014. |

©2014 Yamaha Motor Corporation, U.S.A. All rights reserved.

25ELR 0405 / STEERING

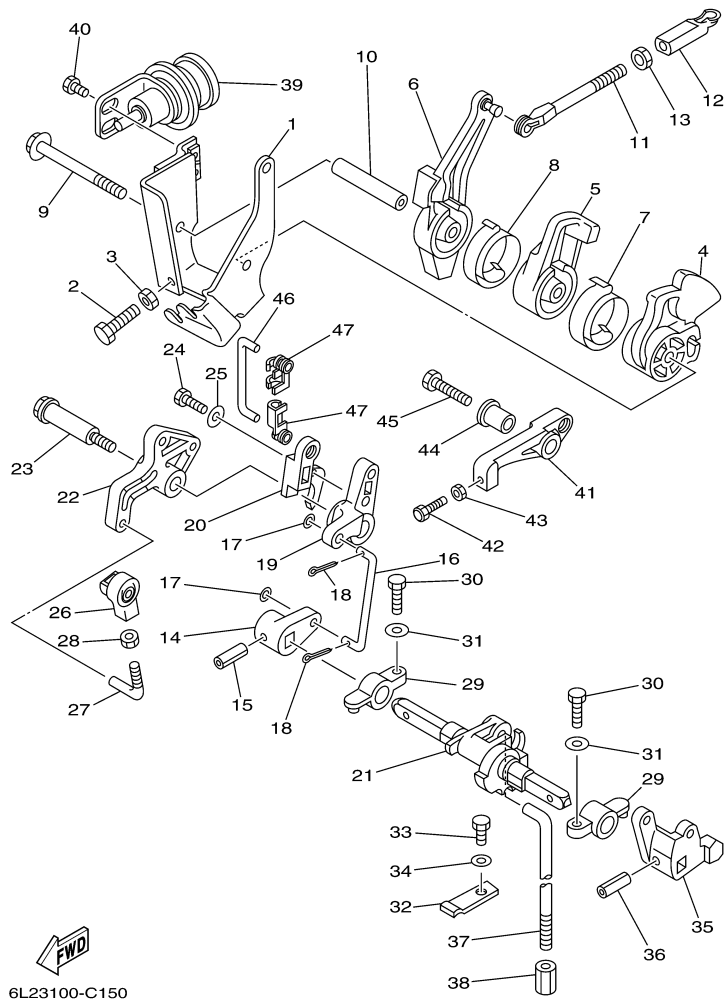


## Part List

25ELR 0405 / STEERING

| REF<br>-<br>NO | PART<br>NUMBER  | PART NAME                         | QUANTITY | REMARKS |
|----------------|-----------------|-----------------------------------|----------|---------|
| 1              | 6L2-W0084-11-4D | HANDLE STEERING ASSY              | 1        | MH/EH   |
| 2              | 6G1-42111-12-4D | HANDLE, STEERING                  | 1        | MH/EH   |
| 3              | 90206-36M21-00  | WASHER, WAVE                      | 1        | MH/EH   |
| 4              | 90202-36M55-00  | WASHER, PLATE                     | 1        | MH/EH   |
| 5              | 90386-33M96-00  | BUSH                              | 1        | MH/EH   |
| 6              | 90386-34M97-00  | BUSH                              | 1        | MH/EH   |
| 7              | 6G1-42131-02-00 | COVER, HANDLE STEERING            | 1        | MH/EH   |
| 8              | 90116-08016-00  | BOLT, STUD                        | 1        | MH/EH   |
| 9              | 90185-08057-00  | NUT, SELF-LOCKING                 | 1        | MH/EH   |
| 10             | 6G1-42125-01-00 | BOLT, FRICTION ADJUSTING          | 1        | MH/EH   |
| 11             | 6G1-42126-00-00 | FRICTION, STEERING<br>HANDLE GRIP | 1        | MH/EH   |
| 12             | 91490-16010-00  | PIN. COTTER                       | 1        | MH/EH   |
| 13             | 664-42119-00-00 | GRIP, STEERING HANDLE             | 1        | MH/EH   |
| 14             | 6F6-42177-A0-00 | RUBBER, HANDLE                    | 1        | MH/EH   |
| 15             | 6L2-42137-00-00 | INDICATOR, THROTTLE               | 1        | MH/EH   |
| 16             | 90269-02M09-00  | RIVET                             | 1        | MH/EH   |
| 17             | 90501-23215-00  | SPRING, COMPRESSION               | 1        | MH/EH   |
| 18             | 92903-10600-00  | WASHER, PLATE                     | 1        | MH/EH   |
| 19             | 90149-05M13-00  | SCREW                             | 1        | MH/EH   |
| 20             | 90386-08032-00  | BUSH                              | 1        | MH/EH   |
| 21             | 6G1-42138-01-00 | LEVER, THROTTLE                   | 1        | MH/EH   |
| 22             | 6E0-42159-02-00 | STAY                              | 1        | MH/EH   |
| 23             | 97885-05012-00  | SCREW, PAN HEAD                   | 2        | MH/EH   |
| 24             | 6L2-26301-00-00 | THROTTLE CABLE ASSY               | 2        | MH/EH   |
| 25             | 6L2-44111-01-94 | HANDLE, GEAR SHIFT                | 1        | MH/EH   |
| 26             | 90386-15M73-00  | BUSH                              | 2        | MH/EH   |
| 27             | 90206-15M18-00  | WASHER, WAVE                      | 1        | MH/EH   |
| 28             | 90202-15M37-00  | WASHER, PLATE                     | 1        | MH/EH   |
| 29             | 90386-12M72-00  | BUSH                              | 1        | MH/EH   |
| 30             | 6L2-44125-00-94 | LEVER, SHIFT ROD                  | 1        | MH/EH   |
| 31             | 97095-06020-00  | BOLT                              | 1        | MH/EH   |
| 32             | 92995-06600-00  | WASHER                            | 1        | MH/EH   |
| 33             | 90202-06009-00  | WASHER, PLATE                     | 2        | MH/EH   |
| 34             | 91490-20010-00  | PIN. COTTER                       | 1        | MH/EH   |
| 35             | 6L2-44124-00-00 | LINK, SHIFT ROD                   | 1        | MH/EH   |
| 36             | 6L2-26363-00-00 | END, CABLE                        | 1        | MH/EH   |
| 37             | 95380-06700-00  | NUT                               | 1        | MH/EH   |
| 38             | 90202-05088-00  | WASHER, PLATE                     | 2        | MH/EH   |
| 39             | 90202-05M38-00  | WASHER, PLATE                     | 1        | MH/EH   |
| 40             | 90468-05M03-00  | CLIP                              | 1        | MH/EH   |
| 41             | 6E0-83627-41-00 | LABEL, CAUTION 7                  | 1        | MH/EH   |

25ELR 0405 / CONTROL 1



6L23100-C150

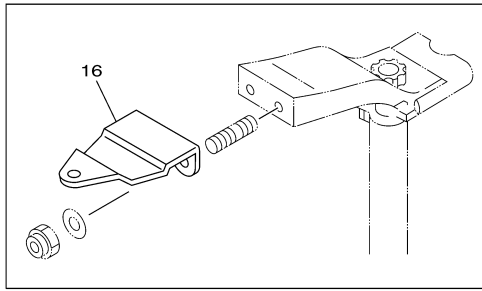
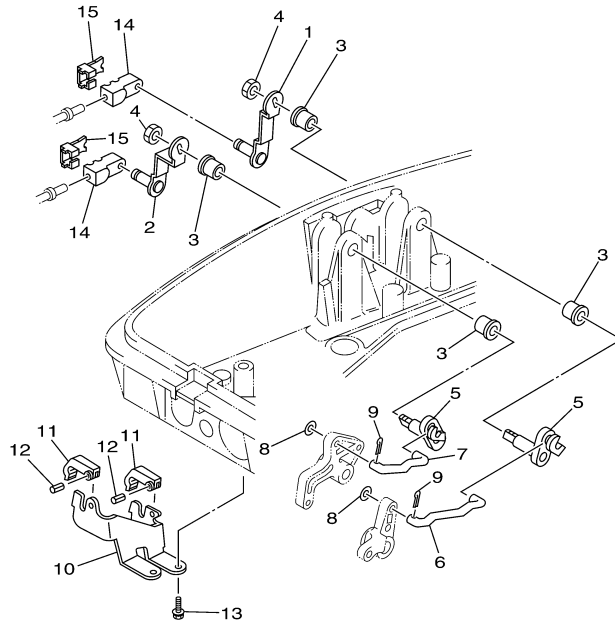
©2014 Yamaha Motor Corporation, U.S.A. All rights reserved.

## Part List

25ELR 0405 / CONTROL 1

| REF<br>-<br>NO | PART<br>NUMBER  | PART NAME                | QUANTITY | REMARKS |
|----------------|-----------------|--------------------------|----------|---------|
| 1              | 6L2-14497-00-00 | STAY, THROTTLE WIRE      | 1        |         |
| 2              | 97095-06020-00  | BOLT                     | 1        |         |
| 3              | 95380-06700-00  | NUT                      | 1        |         |
| 4              | 6L2-41213-00-00 | CAM, ACCEL.              | 1        |         |
| 5              | 6L2-41283-00-00 | LEVER, FREE ACCEL.       | 1        |         |
| 6              | 6L2-41631-00-00 | LEVER, MAGNETO CONTROL   | 1        |         |
| 7              | 6J8-42167-00-00 | SPRING 1                 | 1        |         |
| 8              | 6L2-42167-00-00 | SPRING 1                 | 1        |         |
| 9              | 97595-06575-00  | BOLT, WITH WASHER        | 1        |         |
| 10             | 90387-06M18-00  | COLLAR                   | 1        |         |
| 11             | 689-42169-01-00 | JOINT                    | 1        |         |
| 12             | 662-41237-01-00 | JOINT, LINK              | 1        |         |
| 13             | 95380-05600-00  | NUT                      | 1        |         |
| 14             | 6L2-44122-00-00 | BUSHING, SHIFT ROD LEVER | 1        |         |
| 15             | 90254-03M04-00  | .PIN, SPRING             | 1        |         |
| 16             | 6L2-42192-00-00 | ROD 2                    | 1        |         |
| 17             | 90202-05088-00  | WASHER, PLATE            | 2        |         |
| 18             | 91490-20010-00  | PIN. COTTER              | 2        |         |
| 19             | 6L2-44141-02-00 | LINK, SHIFT ROD          | 1        |         |
| 20             | 6L2-44141-10-94 | LINK, SHIFT ROD          | 1        |         |
| 21             | 6L2-44121-00-00 | LEVER, SHIFT ROD         | 1        |         |
| 22             | 6L2-41212-00-00 | ARM, ACCEL.              | 1        |         |
| 23             | 90109-06M28-00  | BOLT                     | 1        |         |
| 24             | 97013-05016-00  | BOLT                     | 1        |         |
| 25             | 92903-05600-00  | WASHER, PLATE            | 1        |         |
| 26             | 6L2-41237-00-00 | JOINT, LINK              | 1        |         |
| 27             | 6L2-41238-00-00 | JOINT, LINK              | 1        |         |
| 28             | 95380-05700-00  | NUT                      | 1        |         |
| 29             | 6G1-41662-01-94 | BRACKET 2                | 2        |         |
| 30             | 97013-06020-00  | BOLT                     | 2        |         |
| 31             | 92903-06600-00  | WASHER, PLATE            | 2        |         |
| 32             | 6J8-44116-00-00 | SPRING                   | 1        |         |
| 33             | 97095-06012-00  | BOLT                     | 1        |         |
| 34             | 92995-06600-00  | WASHER                   | 1        |         |
| 35             | 6L2-44123-00-00 | ARM, SHIFT ROD           | 1        |         |
| 36             | 90254-03M04-00  | .PIN, SPRING             | 1        |         |
| 37             | 6L2-44143-00-00 | ROD, SHIFT               | 1        |         |
| 38             | 90170-06015-00  | NUT                      | 1        |         |
| 39             | 6L2-14368-00-00 | DIAPHRAGM ASSY 1         | 1        |         |
| 40             | 97095-06008-00  | BOLT                     | 2        |         |
| 41             | 6L2-44114-10-00 | STOPPER                  | 1        | MH/EH   |
| 42             | 90149-06M09-00  | SCREW                    | 1        | MH/EH   |
| 43             | 95380-06700-00  | NUT                      | 1        | MH/EH   |
| 44             | 90387-06M15-00  | COLLAR                   | 1        | MH/EH   |
| 45             | 97095-06030-00  | BOLT                     | 1        | MH/EH   |
| 46             | 6L2-42192-10-00 | ROD 2                    | 1        | MH/EH   |
| 47             | 6F5-41237-00-00 | JOINT, LINK              | 2        | MH/EH   |

25ELR 0405 / CONTROL 2



  
6L25110-E160

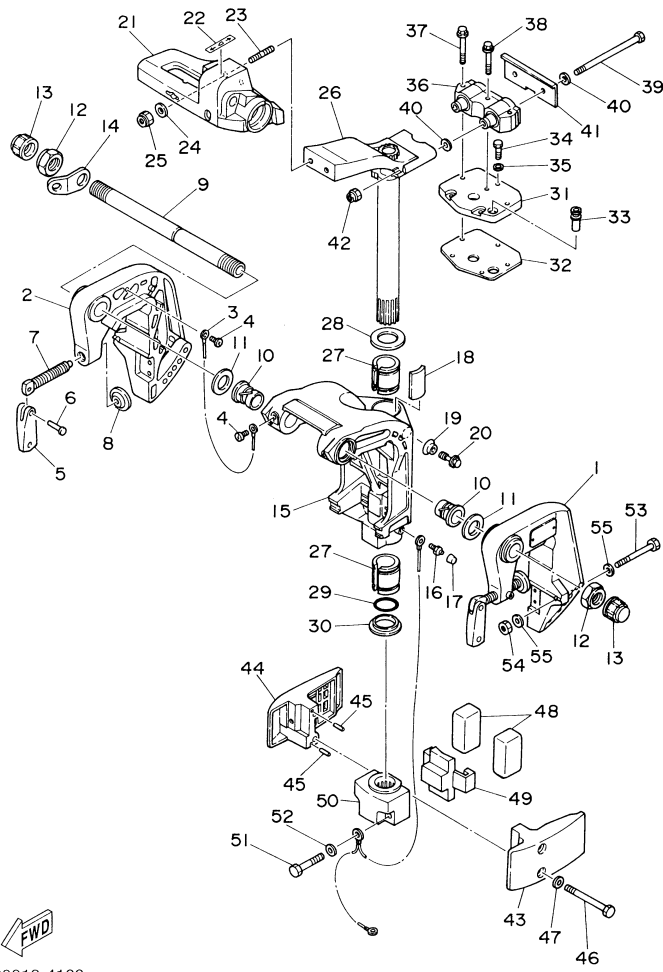
## Part List

25ELR 0405 / CONTROL 2

| REF<br>-<br>NO | PART<br>NUMBER  | PART NAME                     | QUANTITY | REMARKS |
|----------------|-----------------|-------------------------------|----------|---------|
| 1              | 6L2-48544-01-00 | .LEVER, SHIFTCONTROL          | 1        | ER      |
| 2              | 6L2-48534-01-00 | .THROTTLE LEVER, CONTROL      | 1        | ER      |
| 3              | 90386-10009-00  | .BUSH                         | 4        | ER      |
| 4              | 95780-08300-00  | ..NUT, FLANGE                 | 2        | ER      |
| 5              | 6L2-42154-01-00 | .LEVER, THROTTLE CONTROL      | 2        | ER      |
| 6              | 6L2-42191-01-00 | .ROD 1                        | 1        | ER      |
| 7              | 6L2-42192-20-00 | .ROD 2                        | 1        | ER      |
| 8              | 90202-05088-00  | WASHER, PLATE                 | 2        | ER      |
| 9              | 91490-20010-00  | PIN. COTTER                   | 2        | ER      |
| 10             | 6L2-48531-00-00 | .BRACKET, REMOTE<br>CONTROL 1 | 1        | ER      |
| 11             | 682-48538-50-00 | .CLAMP, CABLE 1               | 2        | ER      |
| 12             | 91690-30012-00  | .PIN, SPRING                  | 2        | ER      |
| 13             | 90105-06M23-00  | .BOLT FLANGE                  | 2        | ER      |
| 14             | 6G8-26363-00-00 | .END, WIRE 1                  | 2        | ER      |
| 15             | 6G8-26364-00-00 | .END, CABLE                   | 2        | ER      |
| 16             | 6J8-48511-51-4D | HOOK, STEERING                | 1        | ER      |



25ELR 0405 / BRACKET 1



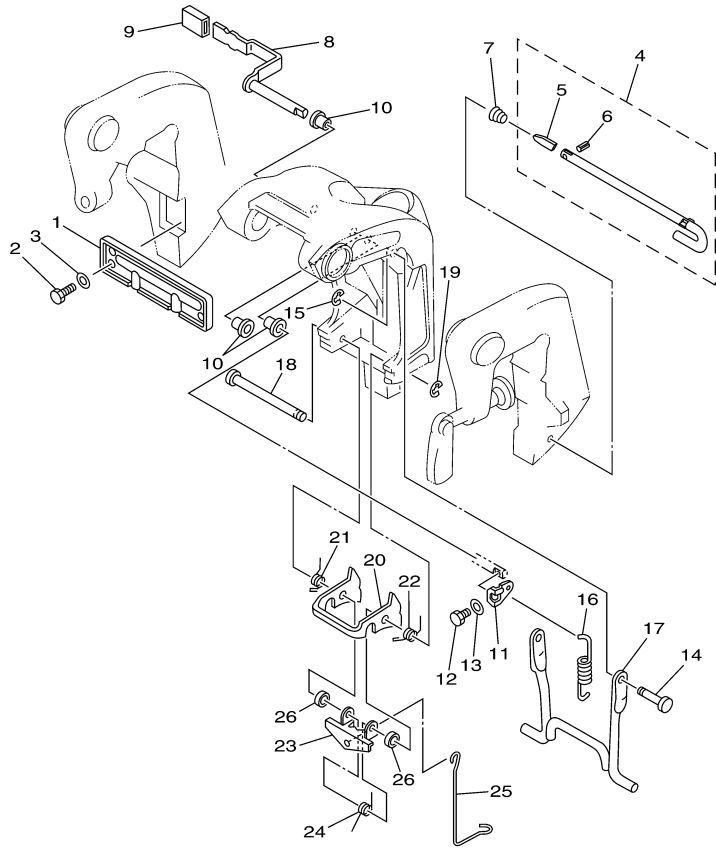
6L20010-4160

## Part List

25ELR 0405 / BRACKET 1

| REF<br>-<br>NO | PART<br>NUMBER  | PART NAME                      | QUANTITY | REMARKS |
|----------------|-----------------|--------------------------------|----------|---------|
| 1              | 6L2-43111-05-4D | BRACKET, CLAMP 1               | 1        |         |
| 2              | 6L2-43112-06-4D | BRACKET, CLAMP 2               | 1        |         |
| 3              | 6E5-82148-00-00 | WIRE, LEAD 4                   | 1        |         |
| 4              | 97885-06008-00  | SCREW, PAN HEAD                | 2        |         |
| 5              | 6E0-43118-01-00 | HANDLE, TRANSOM CLAMP          | 2        |         |
| 6              | 90243-04M01-00  | PIN                            | 2        |         |
| 7              | 6L2-43116-00-00 | SCREW, TRANSOM CLAMP           | 2        |         |
| 8              | 648-43114-01-00 | PAD, TRANSOM CLAMP             | 2        |         |
| 9              | 6J8-43131-01-00 | BOLT, CLAMP BRACKET            | 1        |         |
| 10             | 90386-22M67-00  | BUSH                           | 2        |         |
| 11             | 90201-22M03-00  | WASHER, PLATE                  | 2        |         |
| 12             | 90185-22043-00  | NUT, SELF-LOCKING              | 2        |         |
| 13             | 6G5-43145-01-00 | CAP, CLAMP BRACKET             | 2        |         |
| 14             | 6J8-43113-01-00 | PLATE, CLAMP BRACKET           | 1        |         |
| 15             | 6L2-43311-05-4D | BRACKET, SWIVEL 1              | 1        |         |
| 16             | 93700-06M03-00  | NIPPLE, GREASE                 | 1        |         |
| 17             | 663-45119-00-00 | CAP, GREASE NIPPLE             | 1        | AP      |
| 18             | 6H4-42528-00-00 | PLATE, FRICTION                | 1        |         |
| 19             | 689-43373-01-00 | SEAL, DAMPER                   | 1        |         |
| 20             | 90105-06M18-00  | BOLT, FLANGE                   | 1        |         |
| 21             | 6L2-42121-03-4D | BRACKET                        | 1        | MH/EH   |
| 22             | 6E0-44191-11-00 | INDICATOR, SHIFT               | 1        | MH/EH   |
| 23             | 90116-10M28-00  | BOLT, STUD                     | 2        |         |
| 24             | 92995-10600-00  | WASHER                         | 2        |         |
| 25             | 90185-10051-00  | NUT, SELF-LOCKING              | 2        |         |
| 26             | 6L2-42510-01-4D | STEERING BRACKET ASSY          | 1        |         |
| 27             | 90386-30M75-00  | BUSH                           | 2        |         |
| 28             | 90201-30M00-00  | WASHER, PLATE                  | 1        |         |
| 29             | 93210-29375-00  | .O-RING                        | 1        |         |
| 30             | 90386-30M60-00  | BUSH                           | 1        |         |
| 31             | 6L2-44512-00-4D | COVER, UPPER MOUNT             | 1        |         |
| 32             | 6L2-45114-A1-00 | GASKET, UPPER CASING           | 1        |         |
| 33             | 6L2-44365-00-00 | DAMPER, WATER SEAL             | 1        |         |
| 34             | 97095-06020-00  | BOLT                           | 3        |         |
| 35             | 92995-06600-00  | WASHER                         | 3        |         |
| 36             | 6L2-44514-01-00 | MOUNT DAMPER, UPPER<br>SIDE    | 1        |         |
| 37             | 90119-06M04-00  | BOLT, WITH WASHER              | 2        |         |
| 38             | 90119-06M05-00  | BOLT, WITH WASHER              | 1        |         |
| 39             | 90101-08M09-00  | BOLT                           | 2        |         |
| 40             | 90201-08M01-00  | .WASHER, PLATE                 | 4        |         |
| 41             | 6L2-44526-00-00 | PLATE                          | 1        |         |
| 42             | 90185-08057-00  | NUT, SELF-LOCKING              | 2        |         |
| 43             | 6L2-44551-01-4D | HOUSING, LOWER MOUNT<br>RUBBER | 1        |         |
| 44             | 6L2-44552-01-4D | HOUSING, LOWER MOUNT<br>RUBBER | 1        |         |
| 45             | 93604-12M07-00  | PIN, DOWEL                     | 2        |         |
| 46             | 97095-08085-00  | BOLT                           | 2        |         |
| 47             | 92995-08600-00  | WASHER                         | 2        |         |
| 48             | 6L2-44555-00-00 | MOUNT DAMPER, LOWER<br>SIDE    | 2        |         |
| 49             | 6L2-44557-00-00 | MOUNT DAMPER, LOWER<br>FRONT   | 1        |         |
| 50             | 6L2-44553-01-4D | COVER, LOWER MOUNT             | 1        |         |
| 51             | 97095-08045-00  | .BOLT                          | 2        |         |
| 52             | 92995-08600-00  | WASHER                         | 2        |         |
| 53             | 97095-08070-00  | BOLT                           | 2        | AP      |
| 54             | 95380-08600-00  | NUT                            | 4        | AP      |
| 55             | 92995-08600-00  | WASHER                         | 4        | AP      |

25ELR 0405 / BRACKET 2



6L23110-C150


## Part List

25ELR 0405 / BRACKET 2

| REF<br>-<br>NO | PART<br>NUMBER  | PART NAME                       | QUANTITY | REMARKS |
|----------------|-----------------|---------------------------------|----------|---------|
| 1              | 6L2-43165-01-00 | PLATE, TILT LOCK                | 1        |         |
| 2              | 97090-06010-00  | BOLT                            | 4        |         |
| 3              | 92990-06600-00  | WASHER, PLATE                   | 4        |         |
| 4              | 6L2-43160-01-00 | TILT ROD ASSY                   | 1        |         |
| 5              | 689-43165-00-00 | .PLATE, TILT LOCK               | 1        |         |
| 6              | 91690-30008-00  | .PIN, SPRING                    | 1        |         |
| 7              | 90502-10M07-00  | SPRING, CONICAL                 | 1        |         |
| 8              | 6L2-43630-01-00 | TILT LEVER ASSY                 | 1        |         |
| 9              | 682-43318-01-00 | COVER                           | 1        |         |
| 10             | 90386-08032-00  | BUSH                            | 3        |         |
| 11             | 6L2-43682-01-00 | LEVER, SHALLOW WATER<br>DRIVE 2 | 1        |         |
| 12             | 97095-05010-00  | BOLT                            | 1        |         |
| 13             | 92995-05600-00  | WASHER                          | 1        |         |
| 14             | 6L2-43191-01-00 | SHAFT, STOPPER                  | 1        |         |
| 15             | 99080-05600-00  | CIRCLIP                         | 1        |         |
| 16             | 90506-20M27-00  | SPRING, TENSION                 | 1        |         |
| 17             | 6L2-43350-02-00 | RECEIVER ASSY                   | 1        |         |
| 18             | 6J8-43611-01-00 | SHAFT, TILT LOCK                | 1        |         |
| 19             | 99080-05600-00  | CIRCLIP                         | 1        |         |
| 20             | 6L2-43614-00-00 | PLATE, TILT LOCK                | 1        |         |
| 21             | 90508-12M28-00  | SPRING, TORSION                 | 1        |         |
| 22             | 90508-12M29-00  | SPRING, TORSION                 | 1        |         |
| 23             | 6L2-43615-00-00 | PLATE, TILT LOCK                | 1        |         |
| 24             | 6L2-43657-00-00 | SPRING, LOCK                    | 1        |         |
| 25             | 6L2-43676-00-00 | HOOK                            | 1        |         |
| 26             | 6G0-44365-00-00 | DAMPER, WATER SEAL              | 2        |         |

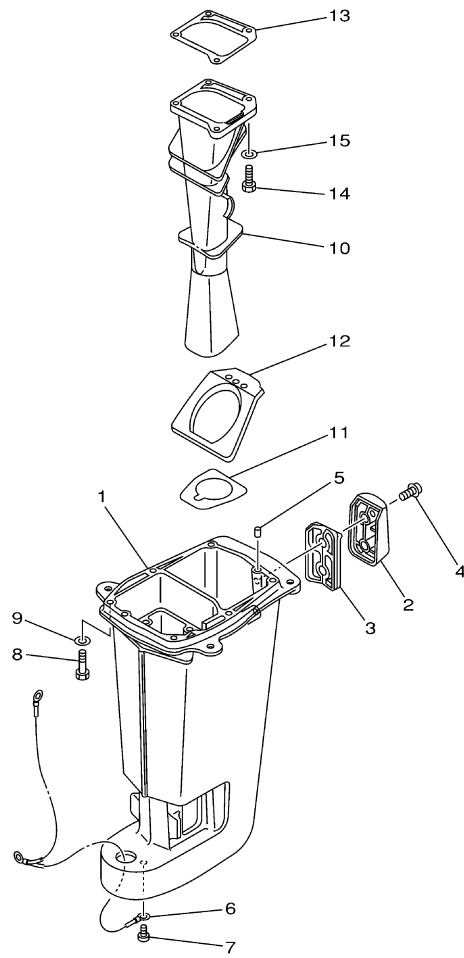
## Part Notes

25ELR 0405 / BRACKET 2

| PART NUMBER  | NOTE TEXT  |
|--|--|
| 92990-06600-00  | OEM: This part number is among the Top 100 Most Popular Marine Maintenance Parts as of March 2014. |

©2014 Yamaha Motor Corporation, U.S.A. All rights reserved.

25ELR 0405 / UPPER CASING



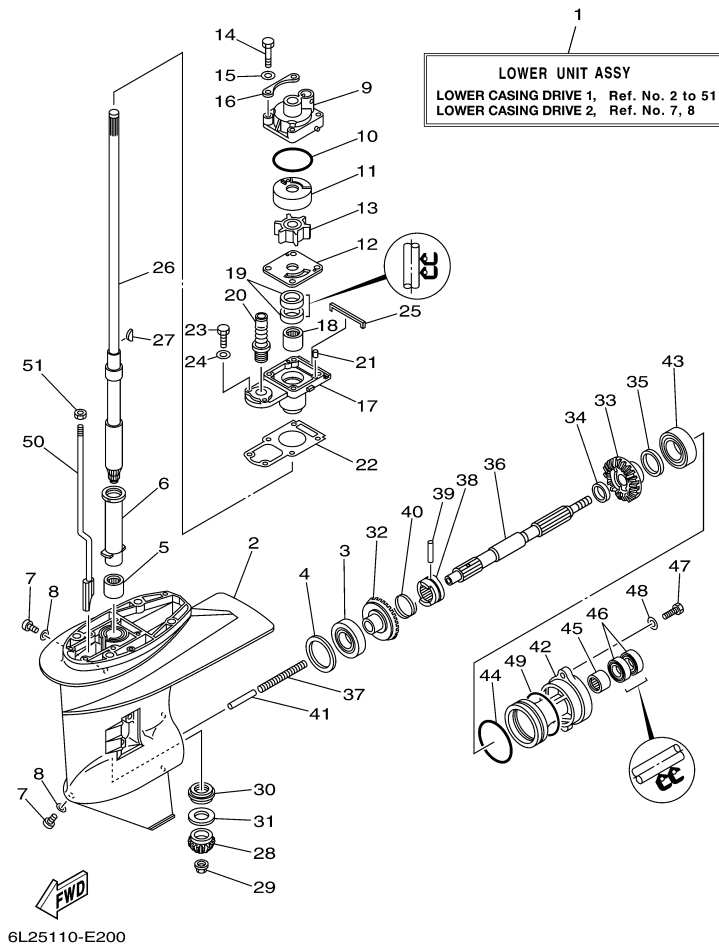
6L20100-1190

## Part List

25ELR 0405 / UPPER CASING

| REF<br>-<br>NO | PART<br>NUMBER  | PART NAME                      | QUANTITY | REMARKS   |
|----------------|-----------------|--------------------------------|----------|-----------|
| 1              | 6L2-45111-12-4D | CASING, UPPER                  | 1        | L (21.5") |
| 1              | 6L2-45111-02-4D | CASING, UPPER                  | 1        | S (16.5") |
| 2              | 6L2-45151-01-4D | COVER, UPPER CASING            | 1        |           |
| 3              | 6L2-45115-00-00 | GASKET, UPPER CASING           | 1        |           |
| 4              | 90159-06M11-00  | SCREW, WITH WASHER             | 2        |           |
| 5              | 93604-12M07-00  | PIN, DOWEL                     | 2        |           |
| 6              | 6L2-82127-00-00 | WIRE, LEAD 2                   | 1        |           |
| 7              | 90157-06M06-00  | SCREW, PAN HEAD                | 1        |           |
| 8              | 97075-08030-00  | BOLT                           | 6        |           |
| 9              | 92995-08600-00  | WASHER                         | 6        |           |
| 10             | 6L2-41131-00-5B | MANIFOLD, EXT. 1               | 1        |           |
| 11             | 6L2-41134-00-00 | .GASKET, EXHAUST<br>MANIFOLD   | 1        |           |
| 12             | 6L2-45123-01-00 | GASKET, MUFFLER                | 1        |           |
| 13             | 6L2-41133-A2-00 | .GASKET, EXHAUST<br>MANIFOLD 1 | 1        |           |
| 14             | 97095-06020-00  | BOLT                           | 4        |           |
| 15             | 92995-06600-00  | WASHER                         | 4        |           |

25ELR 0405 / LOWER CASING DRIVE 1



©2014 Yamaha Motor Corporation, U.S.A. All rights reserved.

## Part List


25ELR 0405 / LOWER CASING DRIVE 1

| REF - NO | PART NUMBER     | PART NAME               | QUANTITY | REMARKS   |
|----------|-----------------|-------------------------|----------|-----------|
| 1        | 6L2-45300-13-4D | LOWER UNIT ASSY         | 1        | L (21.5") |
| 1        | 6L2-45300-03-4D | LOWER UNIT ASSY         | 1        | S (16.5") |
| 2        | 6L2-45311-02-4D | CASING, LOWER           | 1        |           |
| 3        | 93332-00005-00  | BEARING                 | 1        |           |
| 4        | 6L2-45567-00-00 | SHIM (T:1.0MM)          | 1        | UR        |
| 4        | 6L2-45567-10-00 | SHIM (T:1.1MM)          | 1        | UR        |
| 4        | 6L2-45567-40-00 | SHIM (T:1.4MM)          | 1        | UR        |
| 4        | 6L2-45567-30-00 | SHIM (T:1.3MM)          | 1        | UR        |
| 4        | 6L2-45567-20-00 | SHIM (T:1.2MM)          | 1        | UR        |
| 5        | 93315-220V9-00  | BEARING                 | 1        |           |
| 6        | 6L2-45536-00-00 | SLEEVE, DRIVE SHAFT     | 1        |           |
| 7        | 90340-08002-00  | PLUG, STRAIGHT SCREW    | 2        |           |
| 8        | 90430-08020-00  | .GASKET                 | 2        |           |
| 9        | 6L2-44311-00-00 | HOUSING, WATER PUMP     | 1        |           |
| 10       | 93210-45161-00  | .O-RING                 | 1        |           |
| 11       | 6L2-44322-00-00 | .INSERT, CARTRIDGE      | 1        |           |
| 12       | 6L2-44323-00-00 | .OUTER PLATE, CARTRIDGE | 1        |           |
| 13       | 6L2-44352-00-00 | .IMPELLER               | 1        |           |
| 14       | 97095-06040-00  | .BOLT                   | 4        |           |
| 15       | 92995-06600-00  | WASHER                  | 4        |           |
| 16       | 6L2-44328-00-00 | PLATE                   | 2        |           |
| 17       | 6L2-45331-00-5B | HOUSING, BEARING        | 1        |           |
| 18       | 93315-22004-00  | BEARING                 | 1        |           |
| 19       | 93101-20048-00  | .OIL SEAL               | 2        |           |
| 20       | 6L2-44147-00-00 | BOOT, SHIFT ROD         | 1        |           |
| 21       | 93604-12M07-00  | PIN, DOWEL              | 2        |           |
| 22       | 6L2-45315-A0-00 | .PACKING, LOWER CASING  | 1        |           |
| 23       | 97095-06020-00  | BOLT                    | 2        |           |
| 24       | 92995-06600-00  | WASHER                  | 2        |           |
| 25       | 6L2-45375-00-00 | DAMPER, SEAL            | 1        |           |
| 26       | 6L2-45510-10-00 | DRIVE SHAFT ASSY        | 1        | L (21.5") |
| 26       | 6L2-45510-00-00 | DRIVE SHAFT ASSY        | 1        | S (16.5") |
| 27       | 90280-03024-00  | .KEY, WOODRUFF          | 1        |           |
| 28       | 6L2-45551-01-00 | PINION (13T)            | 1        |           |
| 29       | 90179-10M14-00  | NUT                     | 1        |           |
| 30       | 93341-320U0-00  | BEARING                 | 1        |           |
| 31       | 6L2-45587-10-00 | SHIM (T:1.6MM)          | 1        | UR        |
| 31       | 6L2-45587-00-00 | SHIM (T:1.5MM)          | 1        | UR        |
| 32       | 6L2-45560-10-00 | GEAR 1 (27T)            | 1        |           |
| 33       | 6L2-45571-00-00 | GEAR 2 (27T)            | 1        |           |
| 34       | 90201-20417-00  | WASHER, PLATE           | 1        |           |
| 35       | 6L2-45577-00-00 | SHIM (T:1.0MM)          | 1        | UR        |
| 35       | 6L2-45577-30-00 | SHIM (T:1.3MM)          | 1        | UR        |
| 35       | 6L2-45577-20-00 | SHIM (T:1.2MM)          | 1        | UR        |
| 35       | 6L2-45577-10-00 | SHIM (T:1.1MM)          | 1        | UR        |
| 36       | 65W-45611-00-00 | SHAFT, PROPELLER        | 1        |           |
| 37       | 90501-10065-00  | SPRING, COMPRESSION     | 1        |           |
| 38       | 6L2-45631-00-00 | CLUTCH, DOG             | 1        |           |
| 39       | 90250-05010-00  | PIN, STRAIGHT           | 1        |           |
| 40       | 648-45633-00-00 | RING, CROSS PIN         | 1        |           |
| 41       | 648-45635-00-00 | PLUNGER, SHIFT          | 1        |           |
| 42       | 6L2-45361-03-4D | CAP, LOWER CASING       | 1        |           |
| 43       | 93306-00612-00  | BEARING                 | 1        |           |
| 44       | 93210-60MA3-00  | .O-RING                 | 1        |           |
| 45       | 93315-22004-00  | BEARING                 | 1        |           |
| 46       | 93101-20M07-00  | .OIL SEAL               | 2        |           |
| 47       | 97095-06020-00  | BOLT                    | 2        |           |
| 48       | 92995-06600-00  | WASHER                  | 2        |           |
| 49       | 93210-60M99-00  | .O-RING                 | 1        |           |
| 50       | 6L2-44150-10-00 | SHIFT CAM ASSY          | 1        | L (21.5") |



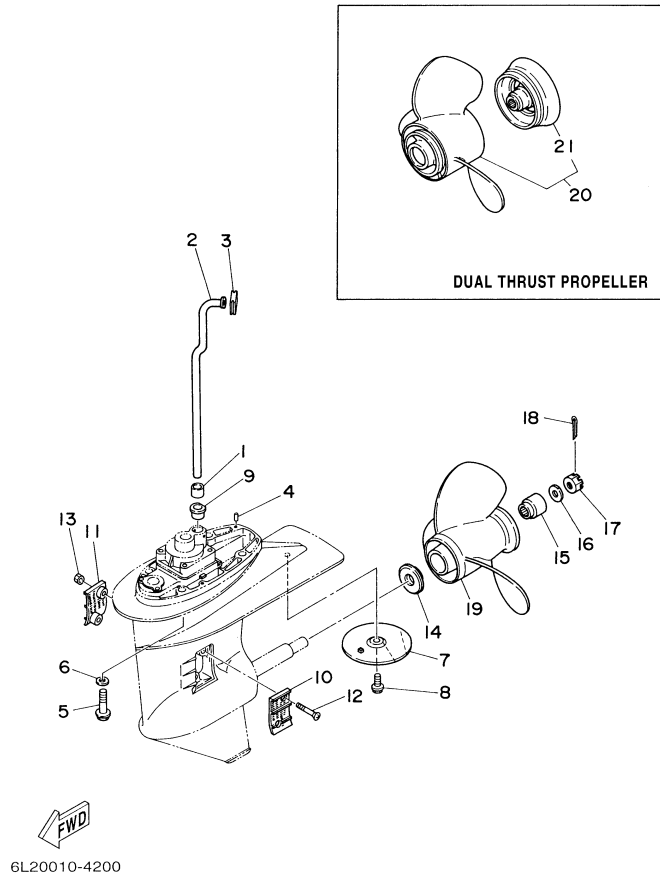
|    |                 |                |   |           |
|----|-----------------|----------------|---|-----------|
| 50 | 6L2-44150-00-00 | SHIFT CAM ASSY | 1 | S (16.5") |
| 51 | 95380-06600-00  | NUT, HEXAGON   | 1 |           |

**Part Notes***25ELR 0405 / LOWER CASING DRIVE 1*

| <b>PART NUMBER</b> |   | <b>NOTE TEXT</b>   |
|--------------------|---|--|
| 90430-08020-00     |  | OEM: This part number is among the Top 100 Most Popular Marine Maintenance Parts as of March 2014. |

©2014 Yamaha Motor Corporation, U.S.A. All rights reserved.

25ELR 0405 / LOWER CASING DRIVE 2

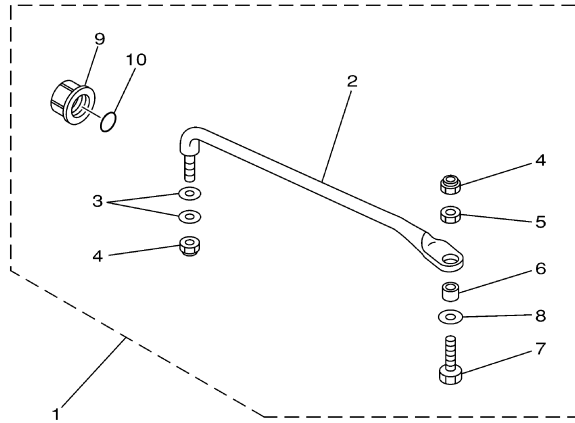


## Part List

25ELR 0405 / LOWER CASING DRIVE 2

| REF - NO | PART NUMBER     | PART NAME                      | QUANTITY | REMARKS   |
|----------|-----------------|--------------------------------|----------|-----------|
| 1        | 6L2-44368-00-00 | RUBBER, WATER SEAL 4           | 1        |           |
| 2        | 6L2-44361-10-00 | TUBE, WATER                    | 1        | L (21.5") |
| 2        | 6L2-44361-00-00 | TUBE, WATER                    | 1        | S (16.5") |
| 3        | 6L2-44366-00-00 | DAMPER, WATER SEAL             | 1        |           |
| 4        | 93604-12M07-00  | PIN, DOWEL                     | 2        |           |
| 5        | 90105-10M12-00  | BOLT, FLANGE                   | 4        |           |
| 6        | 92995-10600-00  | WASHER                         | 4        |           |
| 7        | 664-45371-01-00 | TAB-TRIM                       | 1        |           |
| 8        | 90105-08M02-00  | BOLT, FLANGE                   | 1        |           |
| 9        | 6L2-44367-00-00 | .DAMPER, WATER SEAL 3          | 1        |           |
| 10       | 6L2-45214-00-00 | COVER, WATER INLET 1           | 1        |           |
| 11       | 6L2-45215-00-00 | COVER, WATER INLET 2           | 1        |           |
| 12       | 90151-05M05-00  | SCREW, COUNTERSUNK             | 2        |           |
| 13       | 90185-05002-00  | NUT, NYLON                     | 2        |           |
| 14       | 6L2-45987-01-00 | SPACER 1                       | 1        |           |
| 15       | 689-45997-00-00 | SPACER 2                       | 1        |           |
| 16       | 92990-14200-00  | WASHER, PLAIN                  | 1        |           |
| 17       | 90171-14013-00  | NUT, CASTLE                    | 1        |           |
| 18       | 91490-30022-00  | PIN. COTTER                    | 1        |           |
| 19       | 664-45941-01-EL | PROPELLER (3X9-7/8"X9"-F)      | 1        | UR        |
| 19       | 664-45943-01-EL | PROPELLER (3X9-7/8"X8"-F)      | 1        | UR        |
| 19       | 664-45945-00-EL | PROPELLER (3X9-7/8"X10-1/2"-F) | 1        | UR        |
| 19       | 664-45947-01-EL | PROPELLER (3X9-7/8"X11-1/4"-F) | 1        | UR        |
| 19       | 664-45954-01-EL | PROPELLER (3X9-7/8"X12"-F)     | 1        | UR        |
| 19       | 664-45952-00-EL | PROPELLER (3X9-7/8"X14"-F)     | 1        | UR        |
| 19       | 664-45970-00-98 | PROPELLER (3X9-1/8"X13"-F)     | 1        | UR        |
| 19       | 664-45972-00-98 | PROPELLER (3X9-1/8"X12"-F)     | 1        | UR        |
| 19       | 664-45949-02-EL | PROPELLER (3X9-7/8"X13"-F)     | 1        | UR        |
| 20       | 6J8-W4591-00-EL | PROPELLER (3X10-5/8X8-1/4-F)   | 1        |           |
| 21       | 6J8-45986-10-98 | .RING, DEFLECTOR               | 1        |           |

25ELR 0405 / STEERING GUIDE



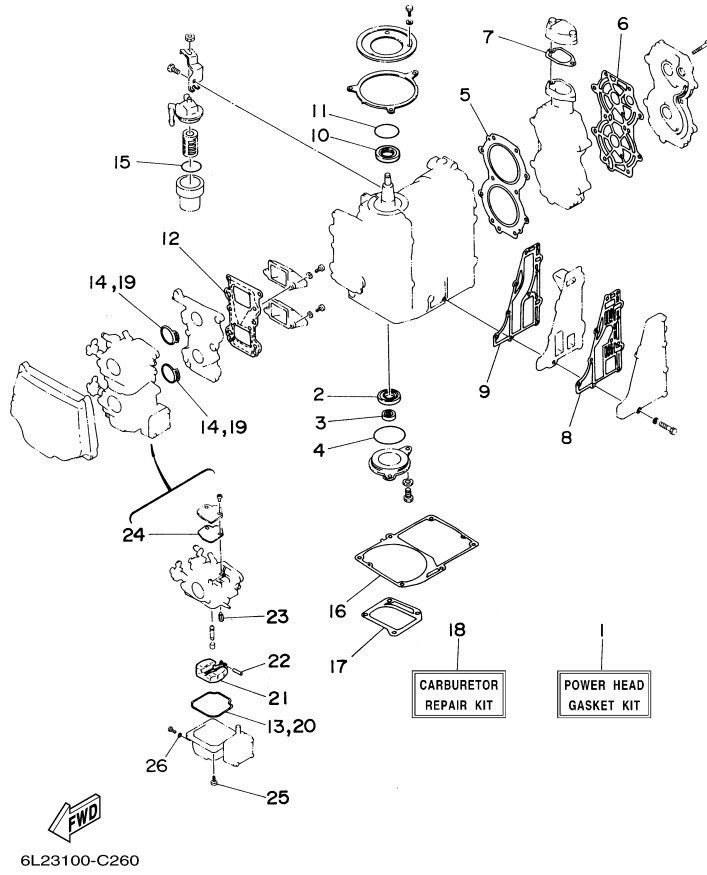
6J83100-2290

## Part List

25ELR 0405 / STEERING GUIDE

| REF<br>-<br>NO | PART<br>NUMBER  | PART NAME                        | QUANTITY | REMARKS |
|----------------|-----------------|----------------------------------|----------|---------|
| 1              | 689-61350-02-00 | STEERING GUIDE<br>ATTACHMENT KIT | 1        | AP ER   |
| 2              | 689-61351-01-00 | .ROD, STEERING LINK              | 1        |         |
| 3              | 90201-10M20-00  | .WASHER, PLATE                   | 2        |         |
| 4              | 90185-09M01-00  | .NUT, SELF-LOCKING               | 2        |         |
| 5              | 90170-09M03-00  | .NUT                             | 1        |         |
| 6              | 90387-10M42-00  | .COLLAR                          | 1        |         |
| 7              | 6E5-61355-00-00 | .BOLT                            | 1        |         |
| 8              | 90201-10M63-00  | .WASHER, PLATE                   | 1        |         |
| 9              | 6E5-43145-01-00 | .CAP, CLAMP BRACKET              | 1        |         |
| 10             | 93210-16275-00  | .O-RING                          | 1        |         |

25ELR 0405 / REPAIR KIT 1

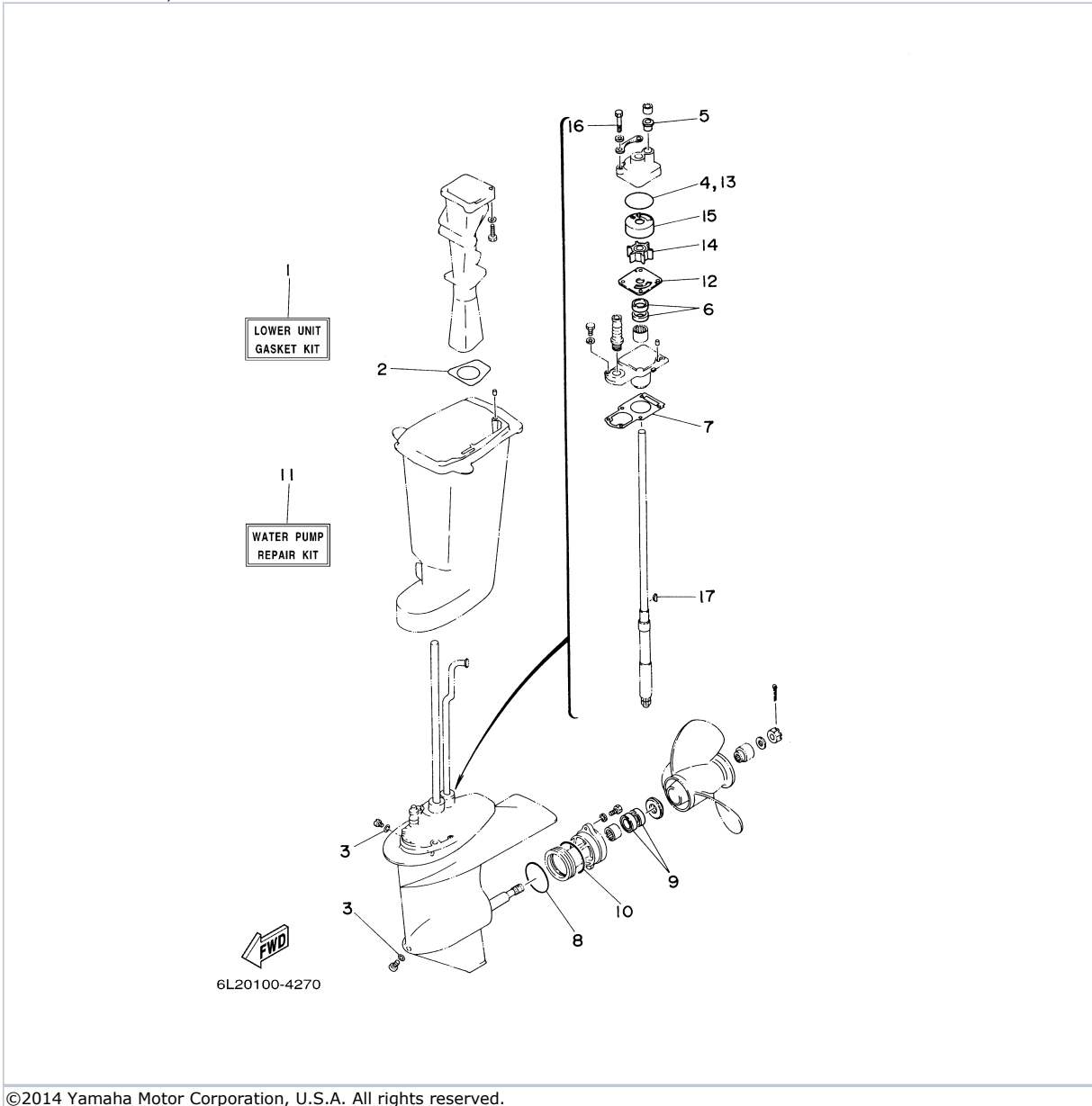


## Part List

25ELR 0405 / REPAIR KIT 1

| REF<br>-<br>NO | PART<br>NUMBER  | PART NAME                       | QUANTITY | REMARKS |
|----------------|-----------------|---------------------------------|----------|---------|
| 1              | 6L2-W0001-03-00 | POWER HEAD GASKET KIT           | 1        |         |
| 2              | 93102-25142-00  | .OIL SEAL                       | 1        |         |
| 3              | 93101-13M37-00  | .OIL SEAL                       | 1        |         |
| 4              | 93210-56M80-00  | .O-RING                         | 1        |         |
| 5              | 6L2-11181-A2-00 | .GASKET, CYLINDER HEAD 1        | 1        |         |
| 6              | 6L2-11193-A1-00 | .GASKET, HEAD COVER 1           | 1        |         |
| 7              | 6J8-12414-A0-00 | .GASKET, COVER                  | 1        |         |
| 8              | 6L2-41114-A1-00 | .GASKET, EXHAUST OUTER<br>COVER | 1        |         |
| 9              | 6L2-41112-A2-00 | .GASKET, EXHAUST INNER<br>COVER | 1        |         |
| 10             | 93102-26M27-00  | .OIL SEAL                       | 1        |         |
| 11             | 93210-42159-00  | .O-RING                         | 1        |         |
| 12             | 6L2-13621-00-00 | .GASKET, VALVE SEAT             | 1        |         |
| 13             | 6L2-14384-00-00 | .GASKET, FLOAT CHAMBER          | 2        |         |
| 14             | 6L2-14198-00-00 | .GASKET                         | 2        |         |
| 15             | 93210-32738-00  | .O-RING                         | 1        |         |
| 16             | 6L2-45113-A2-00 | .GASKET, UPPER CASING           | 1        |         |
| 17             | 6L2-41133-A2-00 | .GASKET, EXHAUST<br>MANIFOLD 1  | 1        |         |
| 18             | 6L2-W0093-00-00 | CARBURETOR REPAIR KIT           | 1        |         |
| 19             | 6L2-14198-00-00 | .GASKET                         | 2        |         |
| 20             | 6L2-14384-00-00 | .GASKET, FLOAT CHAMBER          | 2        |         |
| 21             | 6L2-14385-00-00 | .FLOAT                          | 2        |         |
| 22             | 6E5-14386-01-00 | .PIN, FLOAT                     | 2        |         |
| 23             | 6L2-14392-00-00 | .VALVE                          | 2        |         |
| 24             | 6L2-14399-00-00 | .GASKET                         | 2        |         |
| 25             | 97980-04112-00  | .SCREW, WITH WASHER             | 2        |         |
| 26             | 6L2-14398-00-00 | .GASKET                         | 2        |         |

25ELR 0405 / REPAIR KIT 2



©2014 Yamaha Motor Corporation, U.S.A. All rights reserved.




## Part List

25ELR 0405 / REPAIR KIT 2

| REF - NO | PART NUMBER     | PART NAME                 | QUANTITY | REMARKS |
|----------|-----------------|---------------------------|----------|---------|
| 1        | 6L2-W0001-C3-00 | LOWER UNITGASKETKIT       | 1        |         |
| 2        | 6L2-41134-00-00 | .GASKET, EXHAUST MANIFOLD | 1        |         |
| 3        | 90430-08020-00  | .GASKET                   | 2        |         |
| 4        | 93210-45161-00  | .O-RING                   | 1        |         |
| 5        | 6L2-44367-00-00 | .DAMPER, WATER SEAL 3     | 1        |         |
| 6        | 93101-20048-00  | .OIL SEAL                 | 2        |         |
| 7        | 6L2-45315-A0-00 | .PACKING, LOWER CASING    | 1        |         |
| 8        | 93210-60MA3-00  | .O-RING                   | 1        |         |
| 9        | 93101-20M07-00  | .OIL SEAL                 | 2        |         |
| 10       | 93210-60M99-00  | .O-RING                   | 1        |         |
| 11       | 6L2-W0078-00-00 | WATER PUMP REPAIR KIT     | 1        |         |
| 12       | 6L2-44323-00-00 | .OUTER PLATE, CARTRIDGE   | 1        |         |
| 13       | 93210-45161-00  | .O-RING                   | 1        |         |
| 14       | 6L2-44352-00-00 | .IMPELLER                 | 1        |         |
| 15       | 6L2-44322-00-00 | .INSERT, CARTRIDGE        | 1        |         |
| 16       | 97095-06040-00  | .BOLT                     | 4        |         |
| 17       | 90280-03024-00  | .KEY, WOODRUFF            | 1        |         |

## Part Notes

25ELR 0405 / REPAIR KIT 2

| PART NUMBER   | NOTE TEXT  |
|---|--|
| 90430-08020-00  | OEM: This part number is among the Top 100 Most Popular Marine Maintenance Parts as of March 2014. |

©2014 Yamaha Motor Corporation, U.S.A. All rights reserved.

25ELR 0405 / MODELS IN THIS CATALOG

|       |                      |
|-------|----------------------|
| 25MSH | 6L2K-1011699~1018360 |
| 25MLH | 6L2K-1011699~1018360 |
| 25ESH | 6L2K-1011699~1018360 |
| 25ELH | 6L2K-1011699~1018360 |
| 25ELR | 6L2K-1011699~1018360 |

(6L25)

**ALL THESE MODELS USE THIS SAME PARTS CATALOG.  
BE SURE TO ORDER ONLY THOSE PARTS APPLICABLE  
TO THE DESIRED MODEL.**

©2014 Yamaha Motor Corporation, U.S.A. All rights reserved.

©2014 Yamaha Motor Corporation, U.S.A. All rights reserved.