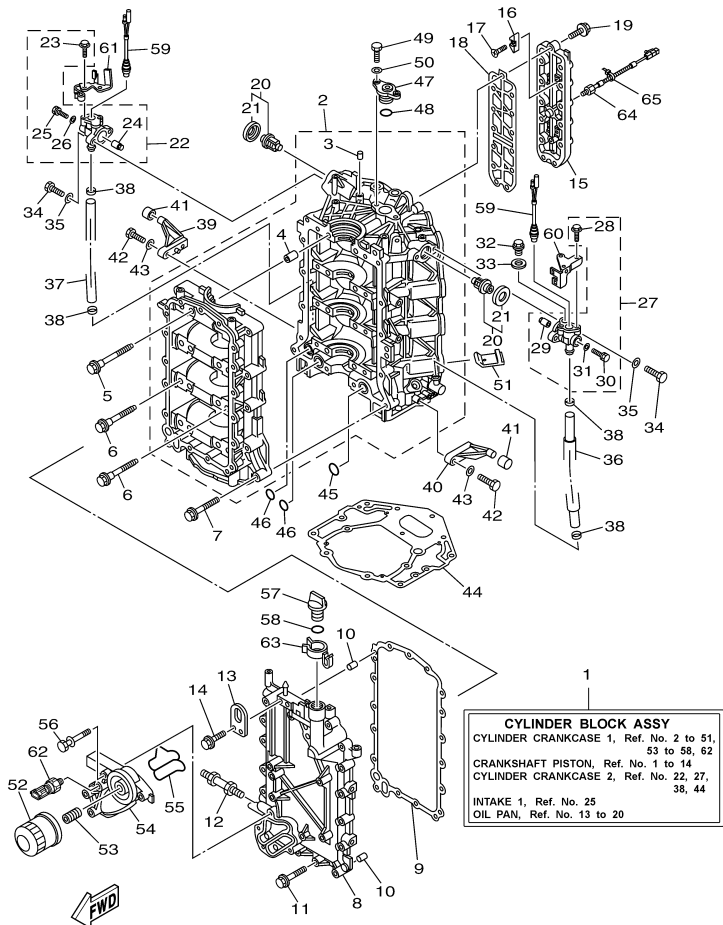


6P22100-E010

Part List

LF250TXR 0409 / TOP COWLING

| REF - NO | PART NUMBER | PART NAME | QUANTITY | REMARKS |
|----------------|-----------------|---------------------|----------|---------|
| 1 | 6P2-42610-01-8D | TOP COWLING ASSY | 1 | |
| 2 | 6P2-42613-00-00 | .MOLDING, AIR DUCT | 1 | |
| 3 | 90179-06M28-00 | .NUT | 9 | |
| 4 | 68F-42647-01-94 | .HOLDER, CLAMP BAND | 1 | |
| 5 | 69J-42647-00-94 | .HOLDER, CLAMP BAND | 1 | |
| 6 | 69J-42663-00-00 | .DAMPER | 1 | |
| 7 | 92990-06100-00 | .WASHER, SPRING | 6 | |
| 8 | 95380-06600-00 | .NUT, HEXAGON | 6 | |
| 9 | 60V-42651-01-00 | .HOOK | 2 | |
| 10 | 97095-06016-00 | .BOLT | 6 | |
| 11 | 92995-06600-00 | .WASHER | 6 | |
| 12 | 68F-42663-00-00 | .DAMPER | 2 | |
| 13 | 68F-42648-01-94 | .HOLDER, CLAMP BAND | 1 | |
| 14 | 60V-42652-00-00 | .HOOK | 1 | |
| 15 | 67F-13448-00-00 | .CAP | 3 | |
| 16 | 6P2-42678-00-00 | .GRAPHIC, REAR | 1 | |
| 17 | 69J-W0070-00-00 | .GRAPHIC SET | 1 | |
| 18 | 6P2-42677-00-00 | .GRAPHIC, FRONT | 1 | |
| 19 | 69J-42681-00-00 | .MARK, COWLING | 1 | |
| 20 | 69J-42682-00-00 | .MARK, COWLING | 1 | |
| 21 | 69J-24378-00-00 | .PIPE, JOINT 3 | 1 | |
| 22 | 90445-11M27-00 | .HOSE (L240) | 1 | |
| 23 | 90445-11699-00 | .HOSE (L500) | 1 | |
| 24 | 90445-11182-00 | .HOSE (L300) | 1 | |
| 25 | 67F-13434-10-00 | LABEL, CAUTION | 1 | |



6P25110-H020

Part List




LF250TXR 0409 / CYLINDER CRANKCASE 1

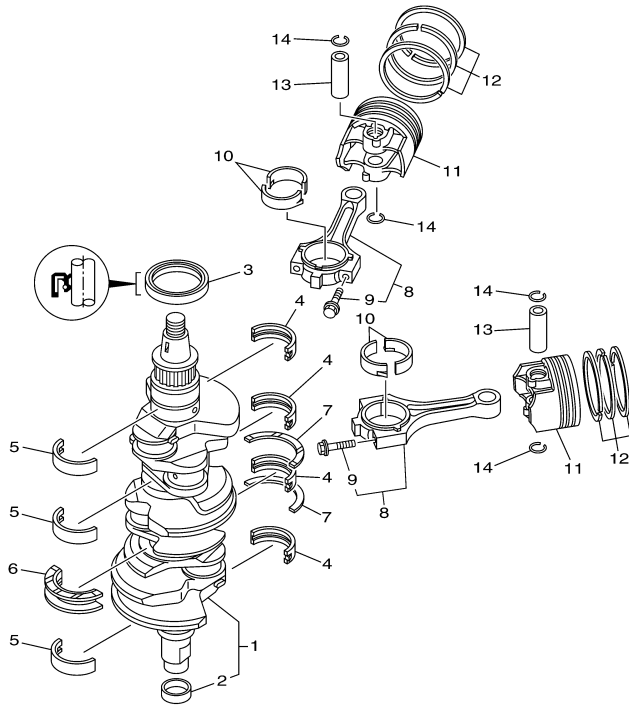
| REF - NO | PART NUMBER | PART NAME | QUANTITY | REMARKS |
|----------------|-----------------|-------------------------------|----------|---------|
| 1 | 6P2-W009B-04-9S | CYLINDER BLOCK ASSY | 1 | |
| 2 | 6P2-15100-02-9S | CRANKCASE ASSY | 1 | |
| 3 | 93606-12019-00 | .PIN, DOWEL | 1 | |
| 4 | 91814-18001-00 | .PIN, DOWEL | 8 | |
| 5 | 69J-15187-00-00 | BOLT | 8 | |
| 6 | 69J-15481-00-00 | BOLT 1 | 8 | |
| 7 | 90119-08M66-00 | BOLT, WITH WASHER | 13 | |
| 8 | 6P2-15411-01-9S | COVER, CRANKCASE 1 | 1 | |
| 9 | 69J-15451-00-00 | .GASKET, CRANKCASE COVER 1 | 1 | |
| 10 | 93606-12019-00 | PIN, DOWEL | 2 | |
| 11 | 90119-08009-00 | BOLT, WITH WASHER | 17 | |
| 12 | 90116-10027-00 | BOLT, STUD | 1 | |
| 13 | 69J-11119-00-00 | HANGER, ENGINE | 1 | |
| 14 | 90119-06MA2-00 | BOLT, WITH WASHER | 2 | |
| 15 | 6P2-1131C-00-9S | COVER, JOINT | 1 | |
| 16 | 6E5-11325-00-00 | ANODE | 4 | |
| 17 | 98780-04015-00 | SCREW, FLAT HEAD | 4 | |
| 18 | 6P2-1131B-00-00 | .GASKET, COVER | 1 | |
| 19 | 90119-06MA4-00 | BOLT, WITH WASHER | 13 | |
| 20 | 67F-12411-01-00 | THERMOSTAT | 2 | |
| 21 | 67F-12412-00-00 | .SEAL, THERMOSTAT | 1 | |
| 22 | 6P2-1240H-00-9S | ANODE ASSY | 1 | |
| 23 | 90109-06M80-00 | .BOLT | 2 | |
| 24 | 6P3-11325-00-00 | .ANODE | 1 | |
| 25 | 90105-05012-00 | .BOLT, FLANGE | 1 | |
| 26 | 90430-05002-00 | .GASKET | 1 | |
| 27 | 6P3-1240H-00-9S | ANODE ASSY | 1 | |
| 28 | 90109-06M80-00 | .BOLT | 2 | |
| 29 | 6P3-11325-00-00 | .ANODE | 1 | |
| 30 | 90105-05012-00 | .BOLT, FLANGE | 1 | |
| 31 | 90430-05002-00 | .GASKET | 1 | |
| 32 | 90340-14M06-00 | PLUG, STRAIGHT SCREW | 1 | |
| 33 | 90430-14115-00 | .GASKET | 1 | |
| 34 | 97095-06025-00 | BOLT | 4 | |
| 35 | 92995-06600-00 | WASHER | 4 | |
| 36 | 6P2-1243A-00-00 | HOSE 1 | 1 | |
| 37 | 69J-1243E-00-00 | HOSE 2 | 1 | |
| 38 | 90465-11M10-00 | CLAMP | 4 | |
| 39 | 67F-42761-01-94 | STOPPER | 1 | |
| 40 | 6P2-42761-00-94 | STOPPER | 1 | |
| 41 | 68F-44533-01-00 | DAMPER, UPPER MOUNT RUBBER | 2 | |
| 42 | 97095-06025-00 | BOLT | 4 | |
| 43 | 92995-06600-00 | WASHER | 4 | |
| 44 | 69J-11351-11-00 | GASKET, CYLINDER | 1 | |
| 45 | 93210-25552-00 | .O-RING | 1 | |
| 46 | 93210-19MJ1-00 | .O-RING | 2 | |
| 47 | 69J-11313-00-94 | PLUG, BLIND | 1 | |
| 48 | 93210-25647-00 | .O-RING | 1 | |
| 49 | 97095-06020-00 | BOLT | 2 | |
| 50 | 92995-06600-00 | WASHER | 2 | |
| 51 | 69J-14664-00-00 | GROMMET, WATER SHUT | 2 | |
| 52 | 69J-13440-01-00 | ELEMENT ASSY, OIL CLEANER | 1 | |
| 53 | 69J-12858-00-00 | BOLT, UNION | 1 | |
| 54 | 6P2-13446-00-9S | CONNECTOR | 1 | |
| 55 | 6P2-13477-00-00 | GASKET | 1 | |
| 56 | 90119-06025-00 | BOLT, WITH WASHER | 5 | |
| 57 | 6G8-15363-00-00 | PLUG, OIL | 1 | |
| 58 | 93210-24M79-00 | .O-RING | 1 | |
| 59 | 6P2-82560-01-00 | THERMO SWITCH ASSY | 2 | |
| 60 | 6P2-82588-00-00 | PLATE | 1 | |
| 61 | 6P2-82389-00-00 | PLATE 2 | 1 | |
| 62 | 6AW-83651-00-00 | SENDER, OIL PRESSURE | 1 | |
| 63 | 6P2-83597-00-00 | CLAMP | 1 | |

| | | | |
|----|-----------------|---------------|---|
| 64 | 6P2-85780-00-00 | SENSOR, KNOCK | 1 |
| 65 | 90465-11M10-00 | CLAMP | 1 |

Part Notes

LF250TXR 0409 / CYLINDER CRANKCASE 1

| PART NUMBER | | NOTE TEXT |
|-----------------|---|---|
| 67F-12411-01-00 |  | OEM: This part number is among the Top 100 Most Popular Marine Maintenance Parts as of February 2013. |
| 67F-42761-01-94 |  | OEM: STOPPER used on F115TLR and F/LF115TXR 0410 Production and Earlier |
| 69J-13440-01-00 |  | OEM: This part number is among the Top 100 Most Popular Marine Maintenance Parts as of February 2013. |

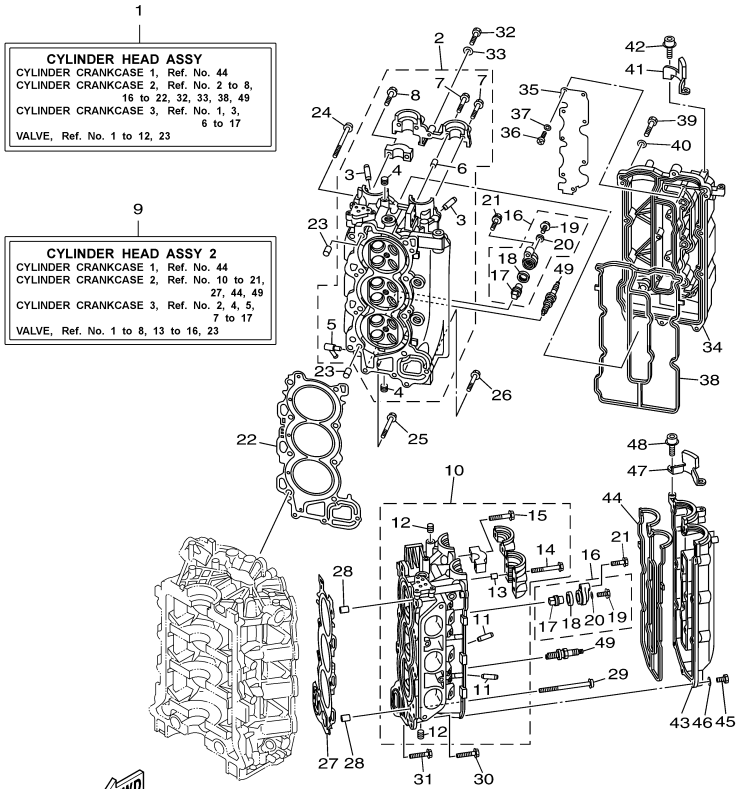


6P25110-H030

Part List

LF250TXR 0409 / CRANKSHAFT PISTON

| REF - NO | PART NUMBER | PART NAME | QUANTITY | REMARKS |
|----------------|-----------------|----------------------------------|----------|-----------|
| 1 | 6P2-11410-01-00 | CRANKSHAFT | 1 | |
| 2 | 69J-11478-00-00 | .COLLAR | 1 | |
| 3 | 93102-63004-00 | .OIL SEAL | 1 | |
| 4 | 69J-11416-01-00 | PLANE BEARING, CRANKSHAFT 1 | 4 | UR #1 |
| 4 | 69J-11416-21-00 | PLANE BEARING, CRANKSHAFT 1 | 4 | UR #3 |
| 4 | 69J-11416-11-00 | PLANE BEARING, CRANKSHAFT 1 | 4 | UR #2 |
| 5 | 69J-11417-01-00 | PLANE BEARING, CRANKSHAFT 2 | 3 | UR #1 |
| 5 | 69J-11417-21-00 | PLANE BEARING, CRANKSHAFT 2 | 3 | UR #3 |
| 5 | 69J-11417-11-00 | PLANE BEARING, CRANKSHAFT 2 | 3 | UR #2 |
| 6 | 69J-11426-01-00 | BEARING, THRUST 1 | 1 | UR #1 |
| 6 | 69J-11426-21-00 | BEARING, THRUST 1 | 1 | UR #3 |
| 6 | 69J-11426-11-00 | BEARING, THRUST 1 | 1 | UR #2 |
| 7 | 69J-11427-00-00 | BEARING, THRUST 2 | 2 | |
| 8 | 69J-W1165-01-00 | CONNECTING ROD ASSY | 6 | |
| 9 | 69J-11654-00-00 | .BOLT, CONNECTING ROD | 2 | |
| 10 | 69J-11656-00-00 | PLANE BEARING, CONNECTING ROD | 12 | UR YELLOW |
| 10 | 69J-11656-20-00 | PLANE BEARING, CONNECTING ROD | 12 | UR BLUE |
| 10 | 69J-11656-10-00 | PLANE BEARING, CONNECTING ROD | 12 | UR GREEN |
| 11 | 6P2-11631-01-B0 | PISTON (STD) | 6 | |
| 12 | 63P-11603-01-00 | PISTON RING SET (STD) | 6 | |
| 13 | 69J-11633-00-00 | PIN, PISTON | 6 | |
| 14 | 69J-11634-01-00 | CLIP, PISTON PIN | 12 | |



6BB3171-J040


Part List

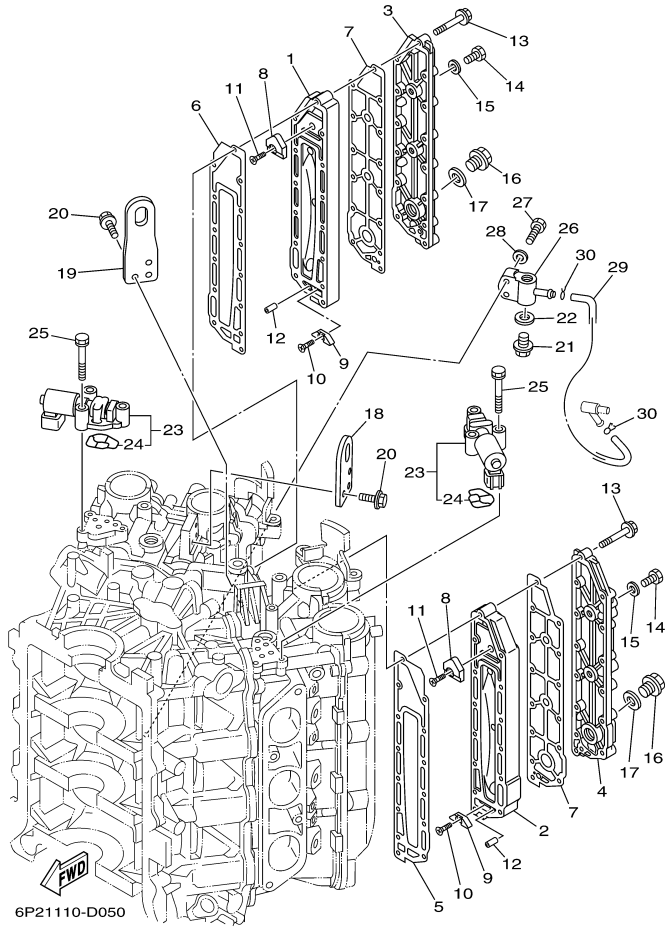
LF250TXR 0409 / CYLINDER CRANKCASE 2

| REF - NO | PART NUMBER | PART NAME | QUANTITY | REMARKS |
|----------|-----------------|----------------------------|----------|---------|
| 1 | 6P2-W009A-02-9S | CYLINDER HEAD COMPLETE | 1 | |
| 2 | 6P2-11110-01-9S | CYLINDER HEAD ASSY | 1 | |
| 3 | 69J-11133-10-00 | .GUIDE, VALVE 1 | 12 | |
| 4 | 90344-51019-00 | .PLUG, TAPER SCREW | 7 | |
| 5 | 676-11372-00-00 | .NIPPLE, HOSE | 1 | |
| 6 | 91809-08006-00 | .PIN, DOWEL | 2 | |
| 7 | 90119-07001-00 | .BOLT, WITH WASHER | 4 | |
| 8 | 90119-07234-00 | .BOLT, WITH WASHER | 14 | |
| 9 | 6P2-W009C-02-9S | CYLINDER HEAD 2 COMPLETE | 1 | |
| 10 | 6P2-11120-01-9S | CYLINDER HEAD ASSY 2 | 1 | |
| 11 | 69J-11133-10-00 | .GUIDE, VALVE 1 | 12 | |
| 12 | 90344-51019-00 | .PLUG, TAPER SCREW | 3 | |
| 13 | 91809-08006-00 | .PIN, DOWEL | 4 | |
| 14 | 90119-07235-00 | .BOLT/WASHER-CAM CAPS | 6 | |
| 15 | 90119-07234-00 | .BOLT, WITH WASHER | 12 | |
| 16 | 69J-11301-00-00 | ANODE COVER ASSY | 4 | |
| 17 | 67F-11325-01-00 | .ANODE | 1 | |
| 18 | 67F-11328-00-00 | .GROMMET, ANODE | 1 | |
| 19 | 90105-06M07-00 | .BOLT, FLANGE | 1 | |
| 20 | 90430-06M03-00 | .GASKET | 1 | |
| 21 | 97575-08540-00 | BOLT, WITH WASHER | 4 | |
| 22 | 6P2-11181-00-00 | .GASKET, CYLINDER HEAD 1 | 1 | |
| 23 | 90387-10M08-00 | COLLAR | 2 | |
| 24 | 90155-10002-00 | SCREW, FLAT FILLISTER | 8 | |
| 25 | 90119-08M91-00 | BOLT, WITH WASHER | 2 | |
| 26 | 90119-08021-00 | BOLT, WITH WASHER | 1 | |
| 27 | 6P2-11182-00-00 | .GASKET, CYLINDER HEAD 2 | 1 | |
| 28 | 90387-10M08-00 | COLLAR | 2 | |
| 29 | 90155-10002-00 | SCREW, FLAT FILLISTER | 8 | |
| 30 | 90119-08M91-00 | BOLT, WITH WASHER | 2 | |
| 31 | 90119-08021-00 | BOLT, WITH WASHER | 1 | |
| 32 | 97095-06030-00 | BOLT | 1 | |
| 33 | 92995-06600-00 | WASHER | 1 | |
| 34 | 6P2-11191-00-9S | COVER, CYLINDER HEAD 1 | 1 | |
| 35 | 6P2-11135-00-00 | PLATE, BREATHER 3 | 1 | |
| 36 | 98507-04008-00 | .SCREW, PAN HEAD | 9 | |
| 37 | 92907-04600-00 | WASHER | 9 | |
| 38 | 6P2-11193-00-00 | .GASKET, HEAD COVER 1 | 1 | |
| 39 | 97095-06030-00 | BOLT | 14 | |
| 40 | 92995-06600-00 | WASHER | 14 | |
| 41 | 6P2-15142-00-00 | GUIDE 1 | 1 | |
| 42 | 90110-06150-00 | BOLT, HEXAGON SOCKET HEAD | 2 | |
| 43 | 6P2-11192-00-9S | COVER, CYLINDER HEAD 2 | 1 | |
| 44 | 6P2-11194-00-00 | .GASKET, HEAD COVER 2 | 1 | |
| 45 | 97095-06030-00 | BOLT | 14 | |
| 46 | 92995-06600-00 | WASHER | 14 | |
| 47 | 6P2-15143-00-00 | GUIDE | 1 | |
| 48 | 90110-06150-00 | BOLT, HEXAGON SOCKET HEAD | 2 | |
| 49 | NGK-LFR6A-11-00 | PLUG, SPARK (NGK LFR6A-11) | 6 | |

Part Notes

LF250TXR 0409 / CYLINDER CRANKCASE 2

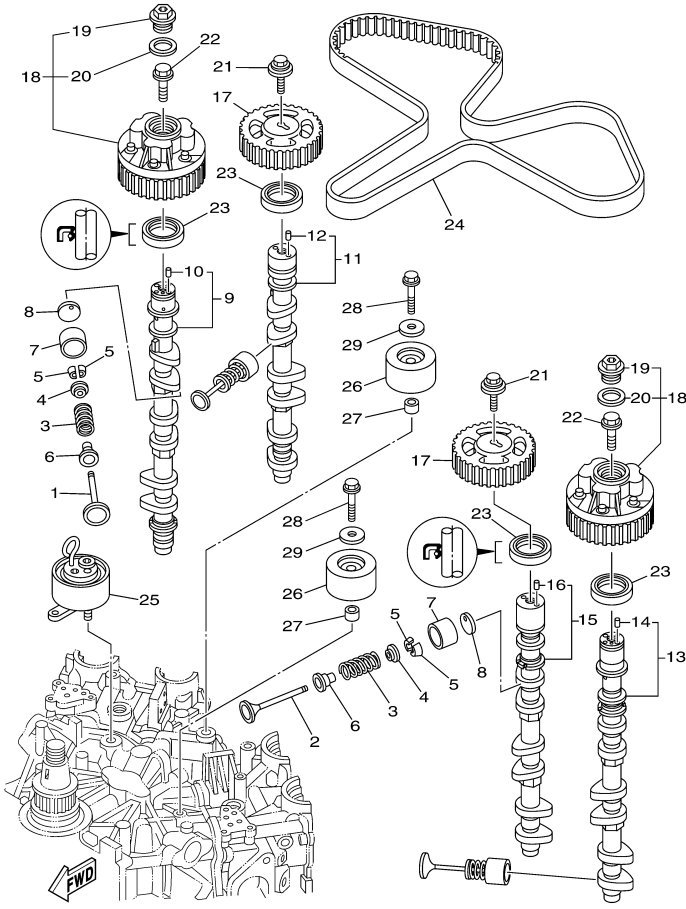
| PART NUMBER | NOTE TEXT |
|---|---|
| 67F-11328-00-00  | OEM: This part number is among the Top 100 Most Popular Marine Maintenance Parts as of February 2013. |



Part List

LF250TXR 0409 / CYLINDER CRANKCASE 3

| REF - NO | PART NUMBER | PART NAME | QUANTITY | REMARKS |
|----------------|-----------------|---------------------------------|----------|---------|
| 1 | 69J-41111-01-9S | INNER COVER, EXHAUST | 1 | |
| 2 | 69J-41121-01-9S | INNER COVER, EXHAUST | 1 | |
| 3 | 69J-41113-01-9S | OUTER COVER, EXHAUST | 1 | |
| 4 | 69J-41123-01-9S | OUTER COVER, EXHAUST | 1 | |
| 5 | 6P2-41112-00-00 | .GASKET, EXHAUST INNER COVER | 1 | |
| 6 | 6P2-41122-00-00 | .GASKET, EXHAUST INNER COVER | 1 | |
| 7 | 6P2-41114-00-00 | .GASKET, EXHAUST OUTER COVER | 2 | |
| 8 | 6P2-11325-00-00 | ANODE | 2 | |
| 9 | 6E5-11325-00-00 | ANODE | 2 | |
| 10 | 98780-04015-00 | SCREW, FLAT HEAD | 2 | |
| 11 | 90151-06M02-00 | SCREW, COUNTERSUNK | 2 | |
| 12 | 91690-40010-00 | PIN, SPRING | 2 | |
| 13 | 90119-06027-00 | BOLT, WITH WASHER | 28 | |
| 14 | 97095-08014-00 | BOLT | 4 | |
| 15 | 90430-08143-00 | .GASKET | 4 | |
| 16 | 90340-18M09-00 | PLUG, STRAIGHT SCREW | 2 | |
| 17 | 90430-18130-00 | .GASKET | 2 | |
| 18 | 6P2-11119-00-00 | HANGER, ENGINE | 1 | |
| 19 | 6P2-1111E-00-00 | HANGER, ENGINE 2 | 1 | |
| 20 | 90119-06MA2-00 | BOLT, WITH WASHER | 6 | |
| 21 | 90340-14M06-00 | PLUG, STRAIGHT SCREW | 1 | |
| 22 | 90430-14115-00 | .GASKET | 1 | |
| 23 | 6P2-86120-00-00 | SOLENOID VALVE ASSY | 2 | |
| 24 | 6P2-12403-00-00 | .FILTER | 1 | |
| 25 | 90119-06MA6-00 | BOLT, WITH WASHER | 6 | |
| 26 | 6P2-83652-00-94 | CONNECTOR | 1 | |
| 27 | 97095-06030-00 | BOLT | 2 | |
| 28 | 92995-06600-00 | WASHER | 2 | |
| 29 | 6H4-24311-00-00 | PIPE, FUEL 1 | 1 | |
| 30 | 90467-08M18-00 | CLIP | 2 | |



6P24100-G061

Part List

LF250TXR 0409 / VALVE

| REF - NO | PART NUMBER | PART NAME | QUANTITY | REMARKS |
|----------|-----------------|------------------------|----------|---------|
| 1 | 6P2-12111-00-00 | VALVE, INTAKE | 12 | |
| 2 | 6P2-12121-00-00 | VALVE, EXHAUST | 12 | |
| 3 | 69J-12113-01-00 | SPRING, VALVE INNER | 24 | |
| 4 | 69J-12117-01-00 | RETAINER, VALVE SPRING | 24 | |
| 5 | 69J-12118-00-00 | COTTER, VALVE | 48 | |
| 6 | 69J-12119-00-00 | SEAL, VALVE STEM | 24 | |
| 7 | 69J-12153-00-00 | LIFTER, VALVE | 24 | |
| 8 | 6S1-12168-00-00 | PAD, ADJUSTING (2.320) | 24 | UR |
| 8 | 6S1-12169-00-00 | PAD, ADJUSTING (2.960) | 24 | UR |
| 8 | 6S1-12168-20-00 | PAD, ADJUSTING (2.360) | 24 | UR |
| 8 | 6S1-12168-30-00 | PAD, ADJUSTING (2.380) | 24 | UR |
| 8 | 6S1-12168-40-00 | PAD, ADJUSTING (2.400) | 24 | UR |
| 8 | 6S1-12168-50-00 | PAD, ADJUSTING (2.420) | 24 | UR |
| 8 | 6S1-12168-60-00 | PAD, ADJUSTING (2.440) | 24 | UR |
| 8 | 6S1-12168-70-00 | PAD, ADJUSTING (2.460) | 24 | UR |
| 8 | 6S1-12168-80-00 | PAD, ADJUSTING (2.480) | 24 | UR |
| 8 | 6S1-12168-90-00 | PAD, ADJUSTING (2.500) | 24 | UR |
| 8 | 6S1-12168-A0-00 | PAD, ADJUSTING (2.520) | 24 | UR |
| 8 | 6S1-12168-B0-00 | PAD, ADJUSTING (2.540) | 24 | UR |
| 8 | 6S1-12168-C0-00 | PAD, ADJUSTING (2.560) | 24 | UR |
| 8 | 6S1-12168-D0-00 | PAD, ADJUSTING (2.580) | 24 | UR |
| 8 | 6S1-12168-E0-00 | PAD, ADJUSTING (2.600) | 24 | UR |
| 8 | 6S1-12168-F0-00 | PAD, ADJUSTING (2.620) | 24 | UR |
| 8 | 6S1-12168-G0-00 | PAD, ADJUSTING (2.640) | 24 | UR |
| 8 | 6S1-12168-H0-00 | PAD, ADJUSTING (2.660) | 24 | UR |
| 8 | 6S1-12168-J0-00 | PAD, ADJUSTING (2.680) | 24 | UR |
| 8 | 6S1-12168-K0-00 | PAD, ADJUSTING (2.700) | 24 | UR |
| 8 | 6S1-12168-L0-00 | PAD, ADJUSTING (2.720) | 24 | UR |
| 8 | 6S1-12168-M0-00 | PAD, ADJUSTING (2.740) | 24 | UR |
| 8 | 6S1-12168-N0-00 | PAD, ADJUSTING (2.760) | 24 | UR |
| 8 | 6S1-12168-P0-00 | PAD, ADJUSTING (2.780) | 24 | UR |
| 8 | 6S1-12168-R0-00 | PAD, ADJUSTING (2.800) | 24 | UR |
| 8 | 6S1-12168-S0-00 | PAD, ADJUSTING (2.820) | 24 | UR |
| 8 | 6S1-12168-T0-00 | PAD, ADJUSTING (2.840) | 24 | UR |
| 8 | 6S1-12168-U0-00 | PAD, ADJUSTING (2.860) | 24 | UR |
| 8 | 6S1-12168-V0-00 | PAD, ADJUSTING (2.880) | 24 | UR |
| 8 | 6S1-12168-W0-00 | PAD, ADJUSTING (2.900) | 24 | UR |
| 8 | 6S1-12168-X0-00 | PAD, ADJUSTING (2.920) | 24 | UR |
| 8 | 6S1-12168-Y0-00 | PAD, ADJUSTING (2.940) | 24 | UR |
| 8 | 6S1-12168-10-00 | PAD, ADJUSTING (2.340) | 24 | UR |
| 9 | 6P2-12171-02-00 | CAMSHAFT 1 | 1 | |
| 10 | 93605-10108-00 | .PIN, DOWEL | 1 | |
| 11 | 6P2-12181-01-00 | CAMSHAFT 2 | 1 | |
| 12 | 93605-10108-00 | .PIN, DOWEL | 1 | |
| 13 | 6P2-12172-02-00 | CAMSHAFT 3 | 1 | |
| 14 | 93605-10108-00 | .PIN, DOWEL | 1 | |
| 15 | 6P2-12182-01-00 | CAMSHAFT 4 | 1 | |
| 16 | 93605-10108-00 | .PIN, DOWEL | 1 | |
| 17 | 6P2-11537-01-00 | GEAR, DRIVEN | 2 | |
| 18 | 6P2-12645-10-00 | PULLEY ASSY 1 | 2 | |
| 19 | 6P2-12623-00-00 | .BOLT | 1 | |
| 20 | 6P2-12663-00-00 | .GASKET | 1 | |
| 21 | 68V-12157-00-00 | BOLT | 2 | |
| 22 | 6P2-12615-00-00 | BOLT | 2 | |
| 23 | 93102-38008-00 | .OIL SEAL | 4 | |
| 24 | 6P2-46241-00-00 | BELT | 1 | |
| 25 | 6P2-11590-00-00 | TENSIONER ASSY | 1 | |
| 26 | 6P2-15512-00-00 | GEAR, IDLER 1 | 2 | |
| 27 | 90387-10M08-00 | COLLAR | 2 | |
| 28 | 90119-10M07-00 | BOLT, WITH WASHER | 2 | |
| 29 | 90201-10M01-00 | WASHER, PLATE | 2 | |

Part Notes

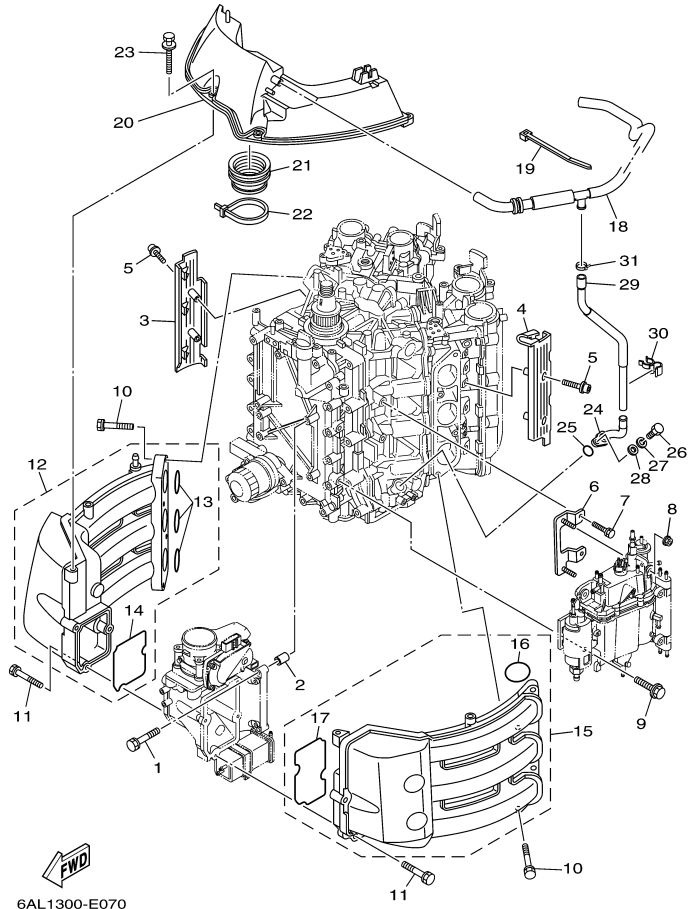
LF250TXR 0409 / VALVE

| PART NUMBER | NOTE TEXT |
|-------------|-----------|
|-------------|-----------|

69J-12119-00-00



OEM: This part number is among the Top 100 Most Popular Marine Maintenance Parts as of February 2013.




Part List

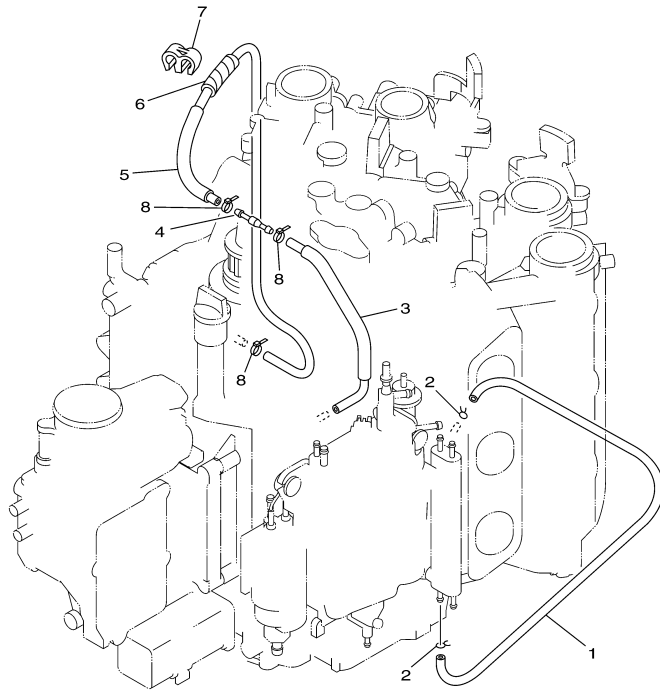
LF250TXR 0409 / INTAKE 1

| REF - NO | PART NUMBER | PART NAME | QUANTITY | REMARKS |
|----------------|-----------------|------------------------------|----------|---------|
| 1 | 97575-08540-00 | BOLT, WITH WASHER | 4 | |
| 2 | 99530-10114-00 | PIN, DOWEL | 2 | |
| 3 | 6P2-13564-00-00 | COVER, MANIFOLD | 1 | |
| 4 | 6P2-13594-00-00 | COVER, MANIFOLD 2 | 1 | |
| 5 | 90110-06038-00 | BOLT, HEXAGON SOCKET HEAD | 4 | |
| 6 | 6P2-24422-00-00 | PLATE | 1 | |
| 7 | 97575-06516-00 | BOLT, WITH WASHER | 2 | |
| 8 | 90179-06M28-00 | NUT | 2 | |
| 9 | 90119-06M24-00 | BOLT, WITH WASHER | 2 | |
| 10 | 97575-08540-00 | BOLT, WITH WASHER | 8 | |
| 11 | 90119-06MA6-00 | BOLT, WITH WASHER | 7 | |
| 12 | 6P2-13641-00-00 | MANIFOLD, INTAKE 1 | 1 | |
| 13 | 6P2-13645-00-00 | .GASKET, MANIFOLD 1 | 3 | |
| 14 | 6P2-13646-00-00 | .GASKET, MANIFOLD 2 | 1 | |
| 15 | 6P2-13642-00-00 | MANIFOLD 2 | 1 | |
| 16 | 6P2-13645-00-00 | .GASKET, MANIFOLD 1 | 3 | |
| 17 | 6P2-13647-00-00 | .GASKET, MANIFOLD 3 | 1 | |
| 18 | 6P2-15373-01-00 | PIPE, BREATHER | 1 | |
| 19 | 90465-13M18-00 | CLAMP | 1 | |
| 20 | 6P2-14440-00-00 | SILENCER ASSY, INTAKE | 1 | |
| 21 | 6P2-1441J-00-00 | PIPE, SILENCER | 1 | |
| 22 | 90464-99004-00 | CLAMP | 1 | |
| 23 | 90119-06M35-00 | BOLT, WITH WASHER | 4 | |
| 24 | 6P2-11372-00-00 | NIPPLE, HOSE | 1 | |
| 25 | 93210-19MJ3-00 | .O-RING | 1 | |
| 26 | 97095-06020-00 | BOLT | 1 | |
| 27 | 92995-06100-00 | WASHER, SPRING | 1 | |
| 28 | 92995-06600-00 | WASHER | 1 | |
| 29 | 6P2-11377-00-00 | HOSE | 1 | |
| 30 | 90464-20011-00 | CLAMP | 1 | |
| 31 | 90465-11M10-00 | CLAMP | 1 | |

Part Notes

LF250TXR 0409 / INTAKE 1

| PART NUMBER | NOTE TEXT |
|--|---|
| 92995-06100-00  | OEM: This part number is among the Top 100 Most Popular Marine Maintenance Parts as of February 2013. |

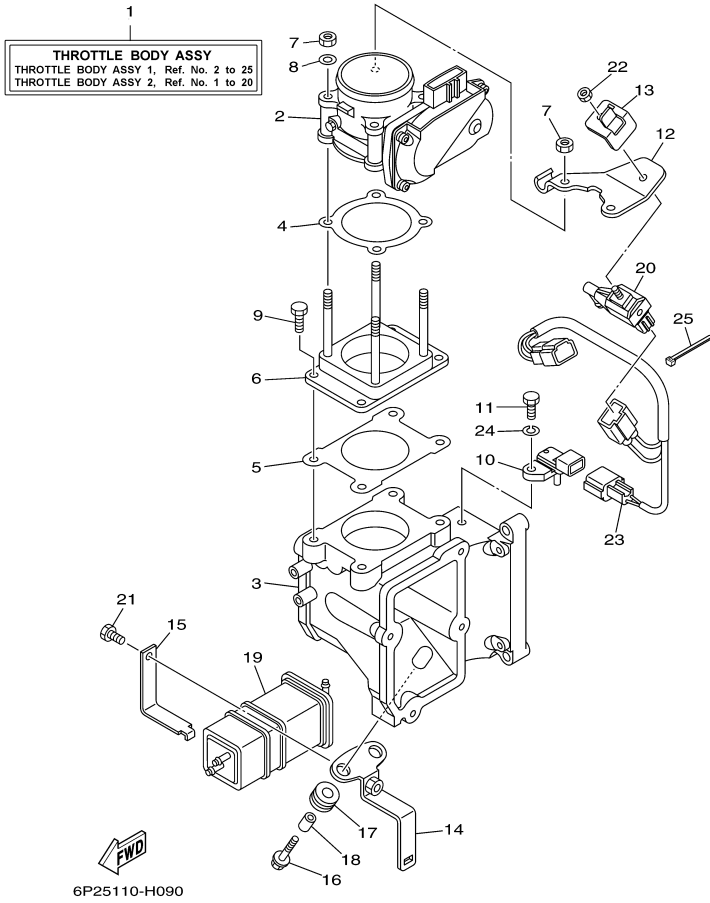


6P21110-D081

Part List

LF250TXR 0409 / INTAKE 2

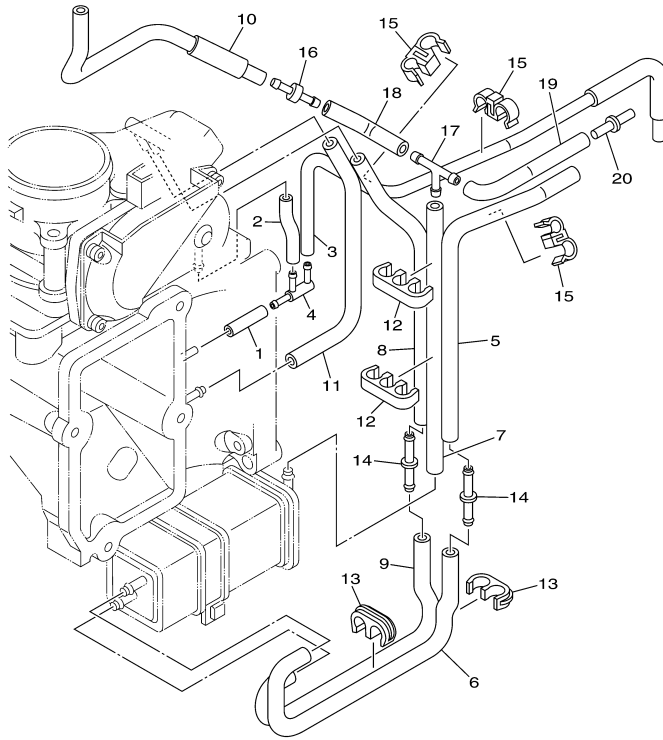
| REF - NO | PART NUMBER | PART NAME | QUANTITY | REMARKS |
|----------------|-----------------|-------------|----------|---------|
| 1 | 90445-09120-00 | HOSE (L600) | 1 | |
| 2 | 90467-09M03-00 | CLIP | 2 | |
| 3 | 6P2-12482-00-00 | PIPE 2 | 1 | |
| 4 | 6E5-21744-00-00 | BREATHER | 1 | |
| 5 | 6P2-12483-00-00 | PIPE 3 | 1 | |
| 6 | 90446-10M01-00 | HOSE (L60) | 1 | |
| 7 | 90464-09M21-00 | CLAMP | 1 | |
| 8 | 90465-11M10-00 | CLAMP | 3 | |



Part List

LF250TXR 0409 / THROTTLE BODY ASSY 1

| REF - NO | PART NUMBER | PART NAME | QUANTITY | REMARKS |
|----------------|-----------------|-------------------------|----------|---------|
| 1 | 6P2-13750-00-00 | THROTTLE BODY ASSY | 1 | |
| 2 | 6P2-13751-00-00 | BODY, THROTTLE 1 | 1 | |
| 3 | 6P2-13711-00-00 | MIXING BODY | 1 | |
| 4 | 6P2-13556-00-00 | GASKET, MANIFOLD | 1 | |
| 5 | 6P2-13557-00-00 | GASKET | 1 | |
| 6 | 6P2-14360-00-00 | THROTTLE DAMPER ASSY | 1 | |
| 7 | 6P2-13588-00-00 | NUT | 4 | |
| 8 | 6P2-13578-00-00 | WASHER | 2 | |
| 9 | 6P2-14496-00-00 | BOLT | 4 | |
| 10 | 6P2-82380-00-00 | SENSOR, PRESSURE | 1 | |
| 11 | 6P2-13573-00-00 | BOLT 1 | 1 | |
| 12 | 6P2-14255-00-00 | PLATE | 1 | |
| 13 | 6P2-14159-00-00 | CLIP | 1 | |
| 14 | 6P2-2134X-00-00 | BRACKET, CANISTER | 1 | |
| 15 | 6P2-2419A-00-00 | HOLDER | 1 | |
| 16 | 90119-06M59-00 | BOLT, WITH WASHER | 2 | |
| 17 | 90480-10M23-00 | GROMMET | 2 | |
| 18 | 90387-06M60-00 | COLLAR | 2 | |
| 19 | 6P2-24170-00-00 | CANISTER ASSY | 1 | |
| 20 | 6C5-86120-00-00 | SOLENOID VALVE ASSY | 1 | |
| 21 | 6P2-13574-00-00 | BOLT 2 | 1 | |
| 22 | 69J-14164-00-00 | NUT, HOLDING | 1 | |
| 23 | 6P2-8258A-00-00 | EXTENSION, WIRE HARNESS | 1 | |
| 24 | 68V-14356-00-00 | .WASHER, SPRING | 1 | |
| 25 | 68V-2481H-00-00 | CLAMP | 1 | |

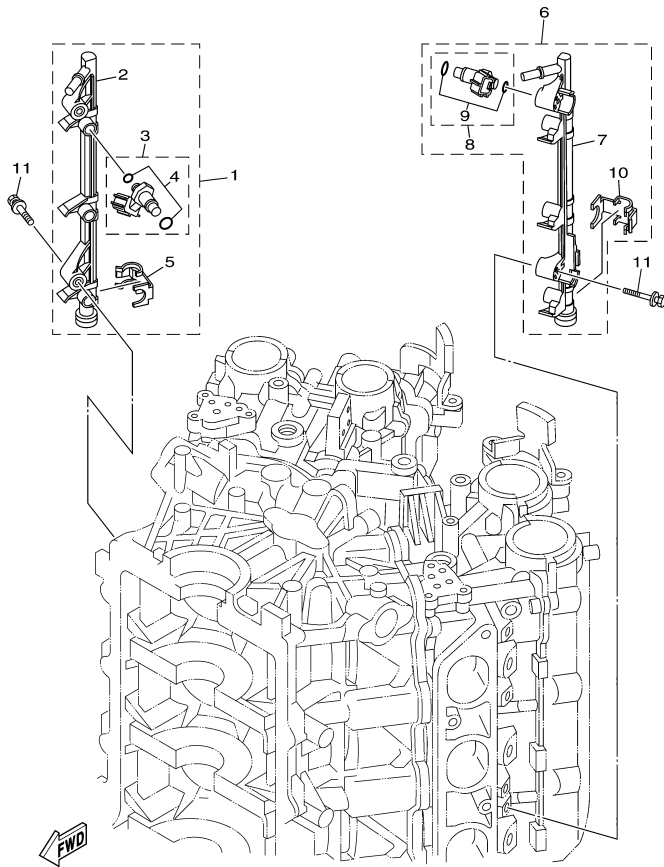


6P21110-D100

Part List

LF250TXR 0409 / THROTTLE BODY ASSY 2

| REF - NO | PART NUMBER | PART NAME | QUANTITY | REMARKS |
|----------------|-----------------|-------------------------|----------|---------|
| 1 | 6P2-14349-00-00 | PIPE | 1 | |
| 2 | 6P2-13533-00-00 | .HOSE, VACUUM SENSING 4 | 1 | |
| 3 | 6P2-13532-00-00 | HOSE, VACUUM SENSING 3 | 1 | |
| 4 | 6P2-13595-00-00 | JOINT | 1 | |
| 5 | 6P2-1475A-00-00 | PIPE 1 | 1 | |
| 6 | 6P2-1475E-00-00 | PIPE 2 | 1 | |
| 7 | 6P2-13545-00-00 | HOSE 1 | 1 | |
| 8 | 6P2-1475F-00-00 | PIPE 3 | 1 | |
| 9 | 6P2-1475G-00-00 | PIPE 4 | 1 | |
| 10 | 6P2-13546-00-00 | HOSE 2 | 1 | |
| 11 | 6P2-2416A-00-00 | HOSE | 1 | |
| 12 | 6P2-24135-00-00 | CLAMP 1 | 2 | |
| 13 | 6P2-24136-00-00 | CLAMP 2 | 2 | |
| 14 | 6P2-13758-00-00 | PIPE, JOINT | 2 | |
| 15 | 6P2-24137-00-00 | CLAMP 3 | 3 | |
| 16 | 6E5-21744-00-00 | BREATHER | 1 | |
| 17 | 688-24378-00-00 | PIPE, JOINT 3 | 1 | |
| 18 | 6P2-13547-00-00 | HOSE 3 | 1 | |
| 19 | 6P2-13548-00-00 | HOSE, AIR 4 | 1 | |
| 20 | 6P2-24376-00-00 | PIPE, JOINT 1 | 1 | |



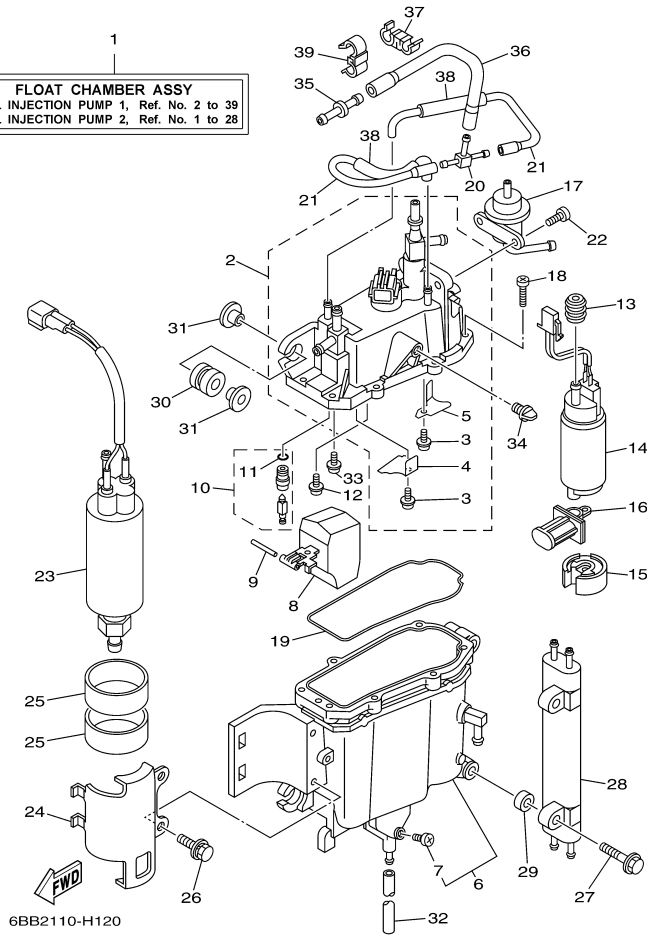
6P23100-F110

Part List

LF250TXR 0409 / THROTTLE BODY ASSY 3

| REF - NO | PART NUMBER | PART NAME | QUANTITY | REMARKS |
|-------------------------|------------------------|----------------------|-----------------|----------------|
| 1 | 6P2-13160-10-00 | DELIVERY PIPE ASSY 1 | 1 | |
| 2 | 6P2-13161-00-00 | .PIPE, DELIVERY 1 | 1 | |
| 3 | 6P2-13761-10-00 | .INJECTOR | 3 | |
| 4 | 6C5-1410B-00-00 | ..PACKING KIT | 1 | |
| 5 | 6P2-13577-00-00 | .CLIP | 3 | |
| 6 | 6P2-13170-10-00 | DELIVERY PIPE ASSY 2 | 1 | |
| 7 | 6P2-13171-00-00 | .PIPE, DELIVERY 2 | 1 | |
| 8 | 6P2-13761-10-00 | .INJECTOR | 3 | |
| 9 | 6C5-1410B-00-00 | ..PACKING KIT | 1 | |
| 10 | 6P2-13577-00-00 | .CLIP | 3 | |
| 11 | 90119-06122-00 | BOLT, WITH WASHER | 4 | |

1
FLOAT CHAMBER ASSY
FUEL INJECTION PUMP 1, Ref. No. 2 to 39
FUEL INJECTION PUMP 2, Ref. No. 1 to 28




Part List

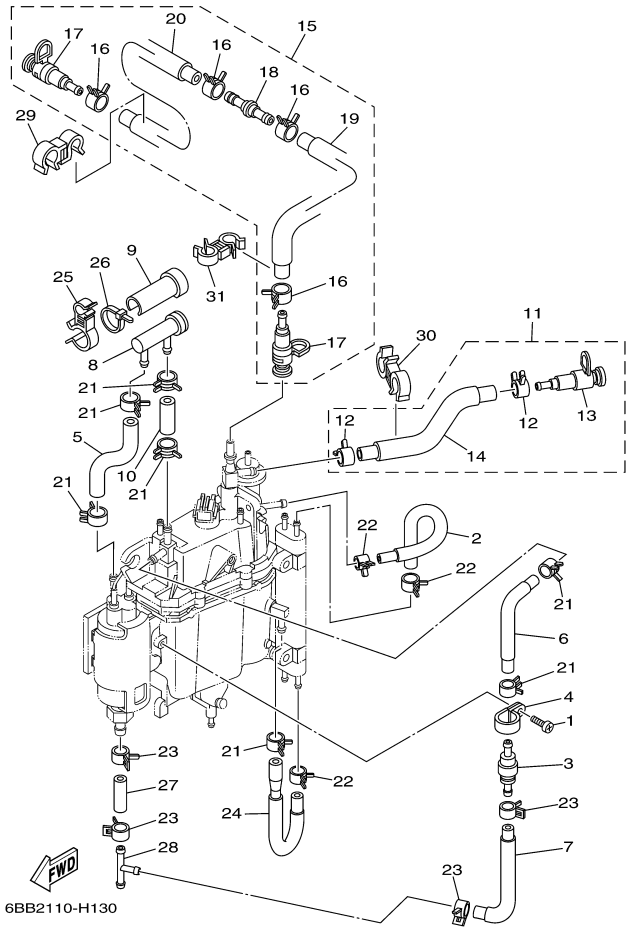
LF250TXR 0409 / FUEL INJECTION PUMP 1

| REF - NO | PART NUMBER | PART NAME | QUANTITY | REMARKS |
|----------|-----------------|-----------------------|----------|---------|
| 1 | 6P2-14180-04-00 | FLOAT CHAMBER ASSY | 1 | |
| 2 | 6P2-14182-00-00 | COVER, FLOAT CHAMBER | 1 | |
| 3 | 4SV-24453-00-00 | .SCREW | 2 | |
| 4 | 6P2-2411T-00-00 | .PLATE 2 | 1 | |
| 5 | 63P-2411R-00-00 | .PLATE 1 | 1 | |
| 6 | 6P2-14181-00-00 | BODY, FLOAT CHAMBER 1 | 1 | |
| 7 | 6P2-14191-00-00 | .PLUG, DRAIN | 1 | |
| 8 | 6P2-14985-00-00 | FLOAT | 1 | |
| 9 | 6P2-14386-00-00 | PIN, FLOAT | 1 | |
| 10 | 6P2-14546-00-00 | VALVE, NEEDLE | 1 | |
| 11 | 6P2-13769-00-00 | .O-RING | 1 | |
| 12 | 4SV-24453-00-00 | SCREW | 1 | |
| 13 | 68V-13781-10-00 | .DAMPER, PUMP | 1 | |
| 14 | 6P2-13907-00-00 | FUEL PUMP COMP. | 1 | |
| 15 | 63P-13784-00-00 | .COVER, PUMP | 1 | |
| 16 | 63P-13915-00-00 | FILTER | 1 | |
| 17 | 6P2-13906-00-00 | REGULATOR, PRESSURE | 1 | |
| 18 | 63P-14567-00-00 | SCREW | 7 | |
| 19 | 6P2-14984-00-00 | GASKET, FLOAT CHAMBER | 1 | |
| 20 | 69J-24379-00-00 | PIPE, JOINT 4 | 1 | |
| 21 | 63P-14148-00-00 | PIPE | 2 | |
| 22 | 68V-14564-00-00 | SCREW | 2 | |
| 23 | 69J-24410-02-00 | FUEL PUMP ASSY | 1 | |
| 24 | 6P2-24491-00-00 | BRACKET, FUEL PUMP | 1 | |
| 25 | 69J-24492-00-00 | BUSH, FUEL PUMP | 2 | |
| 26 | 6P2-24592-00-00 | BOLT | 2 | |
| 27 | 6P2-14446-00-00 | BOLT | 2 | |
| 28 | 69J-21841-02-00 | COOLER | 1 | |
| 29 | 68V-14265-00-00 | COLLAR | 2 | |
| 30 | 69J-13593-00-00 | DAMPER | 4 | |
| 31 | 69J-13716-00-00 | COLLAR | 8 | |
| 32 | 6P2-14149-00-00 | PIPE | 1 | |
| 33 | 98507-04008-00 | .SCREW, PAN HEAD | 1 | |
| 34 | 69J-14225-01-00 | .CAP | 1 | |
| 35 | 6P2-1410F-00-00 | NIPPLE 1 | 1 | |
| 36 | 6P2-14197-00-00 | PIPE | 1 | |
| 37 | 6P2-2417J-00-00 | CLAMP 2 | 1 | |
| 38 | 6P2-24321-00-00 | PIPE 10 | 2 | |
| 39 | 6P2-2417K-00-00 | CLAMP 3 | 1 | |

Part Notes

LF250TXR 0409 / FUEL INJECTION PUMP 1

| PART NUMBER | NOTE TEXT |
|---|---|
| 63P-13915-00-00  | OEM: This part number is among the Top 100 Most Popular Marine Maintenance Parts as of February 2013. |




Part List

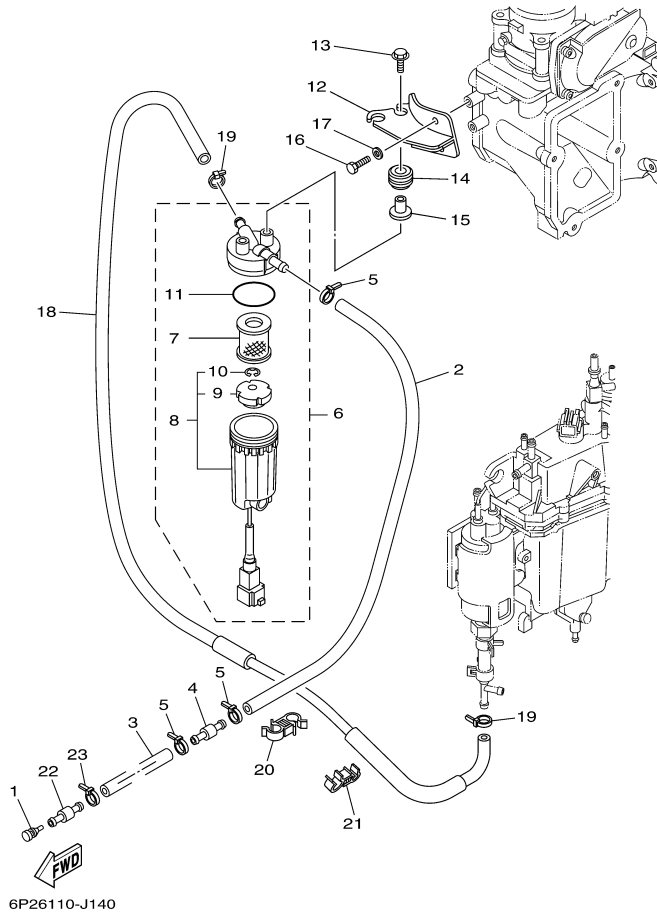
LF250TXR 0409 / FUEL INJECTION PUMP 2

| REF - NO | PART NUMBER | PART NAME | QUANTITY | REMARKS |
|----------|-----------------|--------------------|----------|---------|
| 1 | 98580-05008-00 | .SCREW, PAN HEAD | 1 | |
| 2 | 6P2-13976-00-00 | PIPE, FUEL 6 | 1 | |
| 3 | 69J-24460-00-00 | RELIEF VALVE ASSY | 1 | |
| 4 | 6P2-24367-00-00 | CLAMP, FUEL PIPE 2 | 1 | |
| 5 | 6P2-24324-00-00 | PIPE 13 | 1 | |
| 6 | 6P2-24322-00-00 | PIPE 11 | 1 | |
| 7 | 6P2-24323-00-00 | PIPE 12 | 1 | |
| 8 | 69J-24501-10-00 | FILTER, FUEL | 1 | |
| 9 | 69J-24599-10-00 | CAP | 1 | |
| 10 | 69J-24325-00-00 | PIPE 14 | 1 | |
| 11 | 6P2-1257A-10-00 | HOSE ASSY 1 | 1 | |
| 12 | 68V-13577-00-00 | .CLIP | 2 | |
| 13 | 60E-24300-01-00 | .FUEL PIPE JOINT | 1 | |
| 14 | 6P2-13974-10-00 | .PIPE, FUEL 4 | 1 | |
| 15 | 6P2-1257E-10-00 | HOSE ASSY 2 | 1 | |
| 16 | 68V-13577-00-00 | .CLIP | 4 | |
| 17 | 60E-24300-01-00 | .FUEL PIPE JOINT | 2 | |
| 18 | 6P2-24461-10-00 | .PIPE, JOINT | 1 | |
| 19 | 6P2-13973-10-00 | .PIPE, FUEL 3 | 1 | |
| 20 | 6P2-13972-10-00 | .PIPE, FUEL 2 | 1 | |
| 21 | 68V-13577-00-00 | CLIP | 7 | |
| 22 | 68V-24519-00-00 | CLIP | 3 | |
| 23 | 69J-14137-00-00 | CLIP | 4 | |
| 24 | 6P2-24315-00-00 | PIPE 5 | 1 | |
| 25 | 6P2-2417H-00-00 | CLAMP 1 | 1 | |
| 26 | 68V-2481H-00-00 | CLAMP | 1 | |
| 27 | 6P2-24317-00-00 | PIPE 7 | 1 | |
| 28 | 6E5-24378-00-00 | PIPE, JOINT 3 | 1 | |
| 29 | 90464-12010-00 | CLAMP | 1 | |
| 30 | 90464-18005-00 | CLAMP | 1 | |
| 31 | 90464-12009-00 | CLAMP | 1 | |

Part Notes

LF250TXR 0409 / FUEL INJECTION PUMP 2

| PART NUMBER | NOTE TEXT |
|---|---|
| 69J-24501-10-00  | OEM: This part number is among the Top 100 Most Popular Marine Maintenance Parts as of February 2013. |




Part List

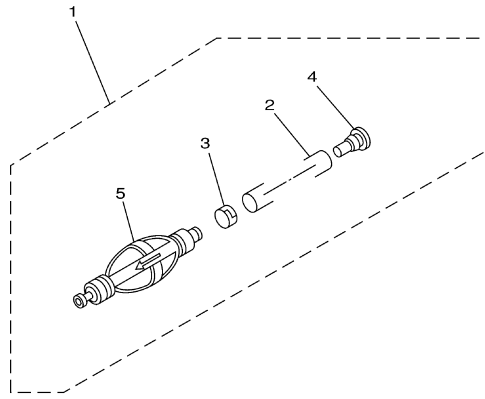
LF250TXR 0409 / FUEL 1

| REF - NO | PART NUMBER | PART NAME | QUANTITY | REMARKS |
|----------|-----------------|----------------------|----------|---------|
| 1 | 689-85547-00-00 | DAMPER | 1 | |
| 2 | 6P2-24314-00-00 | PIPE 4 | 1 | |
| 3 | 90445-13511-00 | HOSE (L2000) | 1 | |
| 4 | 6R3-24377-10-00 | PIPE, JOINT 2 | 1 | |
| 5 | 90465-11M10-00 | CLAMP | 3 | |
| 6 | 6P3-24560-01-00 | FILTER ASSY | 1 | |
| 7 | 6P3-24563-00-00 | .ELEMENT, FILTER | 1 | |
| 8 | 6P3-24562-01-00 | .CUP, FILTER | 1 | |
| 9 | 6P3-24469-00-00 | ..FLOAT, WATER LEVEL | 1 | |
| 10 | 6P3-24519-00-00 | ..CLIP | 1 | |
| 11 | 6P3-24564-00-00 | .GASKET | 1 | |
| 12 | 6P2-24566-11-00 | BRACKET, FILTER | 1 | |
| 13 | 90119-06M17-00 | BOLT, WITH WASHER | 2 | |
| 14 | 90480-14018-00 | GROMMET | 2 | |
| 15 | 90387-06M60-00 | COLLAR | 2 | |
| 16 | 97095-06014-00 | BOLT | 2 | |
| 17 | 92995-06600-00 | WASHER | 2 | |
| 18 | 6P2-24313-10-00 | PIPE 3 | 1 | |
| 19 | 90465-11M10-00 | CLAMP | 2 | |
| 20 | 90464-12009-00 | CLAMP | 1 | |
| 21 | 90464-12010-00 | CLAMP | 1 | |
| 22 | 6R3-24377-10-00 | PIPE, JOINT 2 | 1 | |
| 23 | 90465-11M10-00 | CLAMP | 1 | |

Part Notes

LF250TXR 0409 / FUEL 1

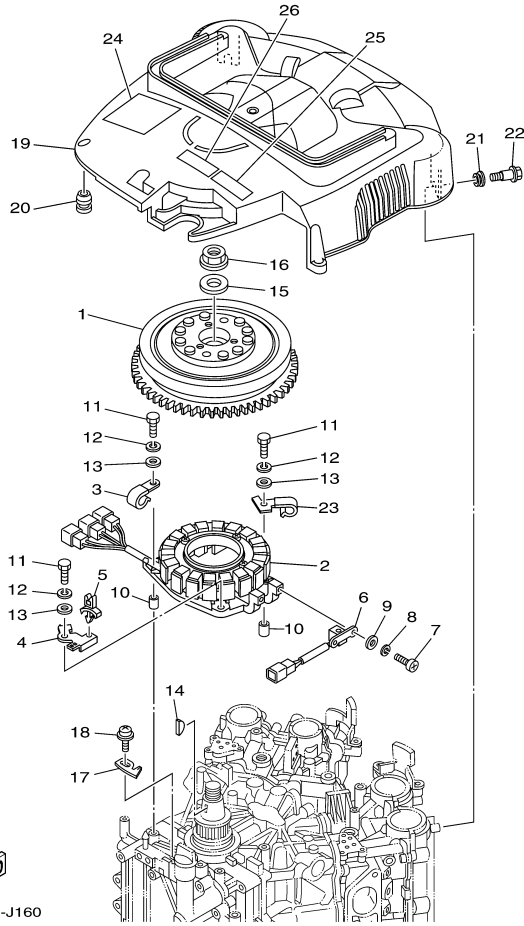
| PART NUMBER | NOTE TEXT |
|--|---|
| 6P3-24564-00-00  | OEM: This part number is among the Top 100 Most Popular Marine Maintenance Parts as of February 2013. |



Part List

LF250TXR 0409 / FUEL 2

| REF - NO | PART NUMBER | PART NAME | QUANTITY | REMARKS |
|----------|-----------------|-------------------|----------|---------|
| 1 | 6Y2-24307-50-00 | FUEL PIPE COMP. 2 | 1 | AP |
| 2 | 90445-13M01-00 | .HOSE (L2050) | 1 | |
| 3 | 6E5-24351-51-00 | .BAND 1 | 1 | |
| 4 | 90480-06M19-00 | .GROMMET | 1 | |
| 5 | 6Y2-24360-60-00 | .PRIMER PUMP ASSY | 1 | |



6BB3110-J160



Part List

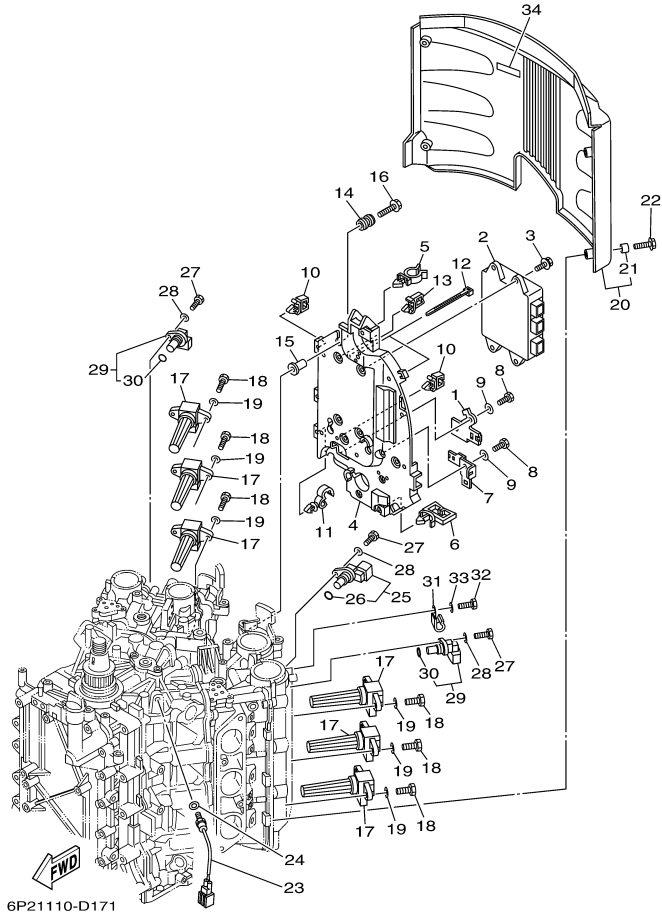
LF250TXR 0409 / GENERATOR

| REF - NO | PART NUMBER | PART NAME | QUANTITY | REMARKS |
|----------|-----------------|-----------------------|----------|---------|
| 1 | 6P2-81450-00-00 | ROTOR ASSY | 1 | |
| 2 | 6P2-81460-00-00 | BASE ASSY | 1 | |
| 3 | 90462-08032-00 | CLAMP | 1 | |
| 4 | 6P2-8257V-00-00 | PLATE, CONNECTOR | 1 | |
| 5 | 90464-06001-00 | CLAMP | 1 | |
| 6 | 6P2-85580-00-00 | COIL, PULSER | 1 | |
| 7 | 97880-05012-00 | SCREW, PAN HEAD | 2 | |
| 8 | 92990-05100-00 | WASHER, SPRING | 2 | |
| 9 | 92990-05600-00 | WASHER, PLATE | 2 | |
| 10 | 99530-08012-00 | PIN, DOWEL | 2 | |
| 11 | 97095-06035-00 | BOLT | 4 | |
| 12 | 92995-06100-00 | WASHER, SPRING | 4 | |
| 13 | 92995-06600-00 | WASHER | 4 | |
| 14 | 90280-05015-00 | KEY, WOODRUFF | 1 | |
| 15 | 90201-24014-00 | WASHER, PLATE | 1 | |
| 16 | 90179-24002-00 | NUT | 1 | |
| 17 | 6P2-81332-00-00 | PLATE, TIMING | 1 | |
| 18 | 97985-06210-00 | SCREW, WITH WASHER | 1 | |
| 19 | 6P2-81337-00-00 | COVER, FLYWHEEL | 1 | |
| 20 | 663-82317-01-00 | DAMPER, IGNITION COIL | 4 | |
| 21 | 90480-12072-00 | GROMMET | 2 | |
| 22 | 90109-06M04-00 | BOLT | 2 | |
| 23 | 6P2-81128-00-00 | CLAMP | 1 | |
| 24 | 6P2-81919-00-00 | GRAPHIC, REGULATOR | 1 | |
| 25 | 60L-13437-42-00 | MARK, CAUTION | 1 | |
| 26 | 6AH-81994-40-00 | LABEL, SAFETY | 1 | |

Part Notes

LF250TXR 0409 / GENERATOR

| PART NUMBER | NOTE TEXT |
|--|---|
| 92995-06100-00  | OEM: This part number is among the Top 100 Most Popular Marine Maintenance Parts as of February 2013. |
| 90480-12072-00  | OEM: GROMMET used on F115TLR and F/LF115TXR 0410 Production and Earlier |




Part List

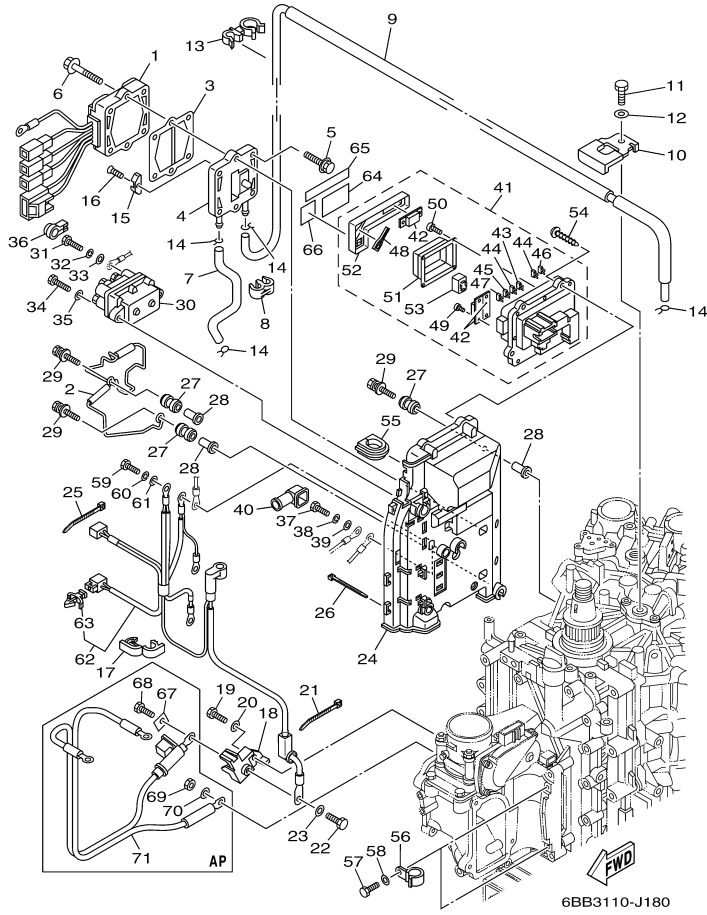
LF250TXR 0409 / ELECTRICAL 1

| REF - NO | PART NUMBER | PART NAME | QUANTITY | REMARKS |
|----------|-----------------|--------------------------|----------|---------|
| 1 | 6P2-8257V-00-00 | PLATE, CONNECTOR | 1 | |
| 2 | 6P2-8591A-25-00 | ENGINE CONTROL UNIT ASSY | 1 | |
| 3 | 90119-06M82-00 | BOLT, WITH WASHER | 4 | |
| 4 | 6P2-82316-00-00 | BRACKET, IGNITION COIL | 1 | |
| 5 | 90464-19M45-00 | CLAMP | 1 | |
| 6 | 90464-23199-00 | CLAMP | 1 | |
| 7 | 6P2-81845-00-00 | PLATE | 1 | |
| 8 | 97095-06016-00 | BOLT | 2 | |
| 9 | 92995-06600-00 | WASHER | 2 | |
| 10 | 90464-11121-00 | CLAMP | 4 | |
| 11 | 90464-13249-00 | CLAMP | 2 | |
| 12 | 90465-14M66-00 | CLAMP | 2 | |
| 13 | 90464-08004-00 | CLAMP | 1 | |
| 14 | 6A0-82317-00-00 | DAMPER, IGNITION COIL | 4 | |
| 15 | 90387-06119-00 | COLLAR | 4 | |
| 16 | 90119-06M59-00 | BOLT, WITH WASHER | 4 | |
| 17 | 6P2-82310-01-00 | IGNITION COIL ASSY | 6 | |
| 18 | 97095-06020-00 | BOLT | 12 | |
| 19 | 92995-06600-00 | WASHER | 12 | |
| 20 | 6P2-82314-00-00 | COVER, IGNITION COIL | 1 | |
| 21 | 90387-06044-00 | .COLLAR | 4 | |
| 22 | 90119-06M92-00 | BOLT, WITH WASHER | 4 | |
| 23 | 61A-85790-00-00 | THERMOSENSOR ASSY | 1 | |
| 24 | 92990-10600-00 | WASHER, PLATE | 1 | |
| 25 | 6P2-85896-00-00 | SENSOR, CAM POSITION | 1 | |
| 26 | 6P2-85075-00-00 | .O-RING | 1 | |
| 27 | 97095-06020-00 | BOLT | 3 | |
| 28 | 92995-06600-00 | WASHER | 3 | |
| 29 | 6P2-85897-00-00 | SENSOR, CAM POSITION 2 | 2 | |
| 30 | 6P2-85075-00-00 | .O-RING | 1 | |
| 31 | 90462-08032-00 | CLAMP | 1 | |
| 32 | 97095-06012-00 | BOLT | 1 | |
| 33 | 92995-06600-00 | WASHER | 1 | |
| 34 | 67F-12138-40-00 | MARK, CAUTION | 1 | |

Part Notes

LF250TXR 0409 / ELECTRICAL 1

| PART NUMBER | NOTE TEXT |
|--|---|
| 92990-10600-00  | OEM: This part number is among the Top 100 Most Popular Marine Maintenance Parts as of February 2013. |



Part List




LF250TXR 0409 / ELECTRICAL 2

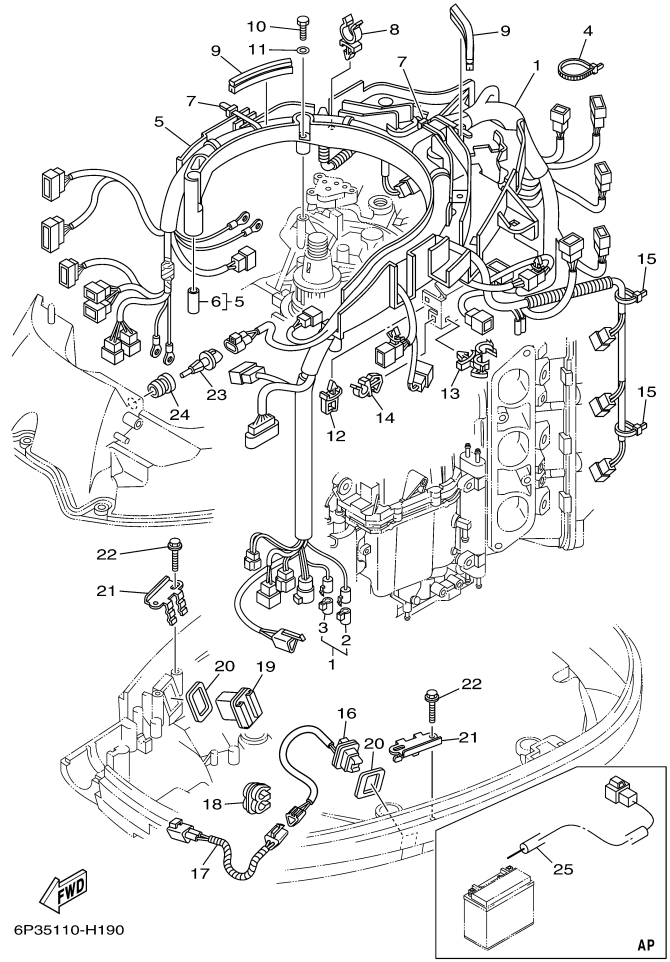
| REF - NO | PART NUMBER | PART NAME | QUANTITY | REMARKS |
|----------------|-----------------|-------------------------------|----------|---------|
| 1 | 6P2-81960-02-00 | RECTIFIER & REGULATOR ASSY | 1 | |
| 2 | 6P2-81614-00-00 | PROTECTOR | 1 | |
| 3 | 60V-81975-A0-00 | PLATE, RECTIFIER FITTING | 1 | |
| 4 | 6P2-81972-00-9S | COVER, RECTIFIER | 1 | |
| 5 | 90119-06MA3-00 | BOLT, WITH WASHER | 4 | |
| 6 | 90119-06MA5-00 | BOLT, WITH WASHER | 2 | |
| 7 | 90445-09304-00 | HOSE (L310) | 1 | |
| 8 | 90464-09M21-00 | CLAMP | 1 | |
| 9 | 6P2-12481-00-00 | PIPE 1 | 1 | |
| 10 | 6P2-12491-00-00 | CLAMP 1 | 1 | |
| 11 | 97095-06012-00 | BOLT | 1 | |
| 12 | 92995-06600-00 | WASHER | 1 | |
| 13 | 90464-21002-00 | CLAMP | 2 | |
| 14 | 90467-08M18-00 | CLIP | 4 | |
| 15 | 6E5-11325-00-00 | ANODE | 1 | |
| 16 | 98780-04015-00 | SCREW, FLAT HEAD | 1 | |
| 17 | 90464-18004-00 | CLAMP | 5 | |
| 18 | 6P2-81925-01-00 | TERMINAL | 1 | |
| 19 | 97095-08020-00 | BOLT | 1 | |
| 20 | 92995-08600-00 | WASHER | 1 | |
| 21 | 90465-13M18-00 | CLAMP | 1 | |
| 22 | 97095-08016-00 | BOLT | 1 | |
| 23 | 92995-08600-00 | WASHER | 1 | |
| 24 | 6P2-81948-00-00 | BRACKET | 1 | |
| 25 | 90465-13M18-00 | CLAMP | 6 | |
| 26 | 90465-14M66-00 | CLAMP | 3 | |
| 27 | 6A0-82317-00-00 | DAMPER, IGNITION COIL | 5 | |
| 28 | 90387-06119-00 | COLLAR | 5 | |
| 29 | 90119-06M95-00 | BOLT, WITH WASHER | 5 | |
| 30 | 63P-81950-00-00 | RELAY ASSY | 1 | |
| 31 | 97095-06010-00 | BOLT | 2 | |
| 32 | 92995-06100-00 | WASHER, SPRING | 2 | |
| 33 | 92995-06600-00 | WASHER | 2 | |
| 34 | 97013-06025-00 | BOLT | 2 | |
| 35 | 92903-06600-00 | WASHER, PLATE | 2 | |
| 36 | 6P2-8183X-00-00 | CAP, TERMINAL | 2 | |
| 37 | 97095-06020-00 | BOLT | 1 | |
| 38 | 92995-06100-00 | WASHER, SPRING | 1 | |
| 39 | 92995-06600-00 | WASHER | 1 | |
| 40 | 6P2-82119-00-00 | COVER, LEAD WIRE | 1 | |
| 41 | 6P2-82170-01-00 | FUSE BOX ASSY | 1 | |
| 42 | 6P2-82151-00-00 | .FUSE (60A) | 3 | |
| 43 | 67F-82151-00-00 | .FUSE (20A) | 2 | |
| 44 | 67F-82151-10-00 | .FUSE (30A) | 3 | |
| 45 | 67F-82151-20-00 | .FUSE (5A) | 2 | |
| 46 | 67F-82151-40-00 | .FUSE (10A) | 2 | |
| 47 | 67F-82151-50-00 | .FUSE (15A) | 2 | |
| 48 | 67F-2812A-00-00 | .PULLER, FUSE | 1 | |
| 49 | 68F-82846-00-00 | .SCREW, PAN HEAD (M5) | 4 | |
| 50 | 6P2-82113-00-00 | .SCREW | 4 | |
| 51 | 6P2-81639-00-00 | .RELAY COVER | 1 | |
| 52 | 6P2-85544-00-00 | .CASE | 1 | |
| 53 | 68F-8195A-00-00 | .RELAY ASSY | 4 | |
| 54 | 97780-50620-00 | SCREW, TAPPING | 4 | |
| 55 | 6P2-81336-00-00 | GROMMET | 1 | |
| 56 | 90462-08026-00 | CLAMP | 2 | |
| 57 | 97095-06016-00 | BOLT | 2 | |
| 58 | 92995-06600-00 | WASHER | 2 | |
| 59 | 97095-06020-00 | BOLT | 3 | |
| 60 | 92995-06100-00 | WASHER, SPRING | 3 | |
| 61 | 92995-06600-00 | WASHER | 3 | |
| 62 | 6P2-8259M-00-00 | WIRE HARNESS ASSY 2 | 1 | |
| 63 | 90464-09M47-00 | .CLAMP | 1 | |
| 64 | 6P2-81919-10-00 | GRAPHIC, REGULATOR | 1 | |

| | | | | |
|----|-----------------|--------------------|---|----|
| 65 | 6P2-81919-20-00 | GRAPHIC, REGULATOR | 1 | |
| 66 | 6P2-81919-31-00 | GRAPHIC, REGULATOR | 1 | |
| 67 | 6P2-81923-00-00 | WASHER | 1 | AP |
| 68 | 97095-08016-00 | BOLT | 1 | AP |
| 69 | 95333-08600-00 | NUT | 1 | AP |
| 70 | 92903-08100-00 | WASHER, SPRING | 1 | AP |
| 71 | 6P2-82105-01-00 | WIRE HARNESS | 1 | AP |

Part Notes

LF250TXR 0409 / ELECTRICAL 2

| PART NUMBER | | NOTE TEXT |
|----------------|---|---|
| 92995-06100-00 |  | OEM: This part number is among the Top 100 Most Popular Marine Maintenance Parts as of February 2013. |
| 92995-06100-00 |  | OEM: This part number is among the Top 100 Most Popular Marine Maintenance Parts as of February 2013. |
| 92995-06100-00 |  | OEM: This part number is among the Top 100 Most Popular Marine Maintenance Parts as of February 2013. |



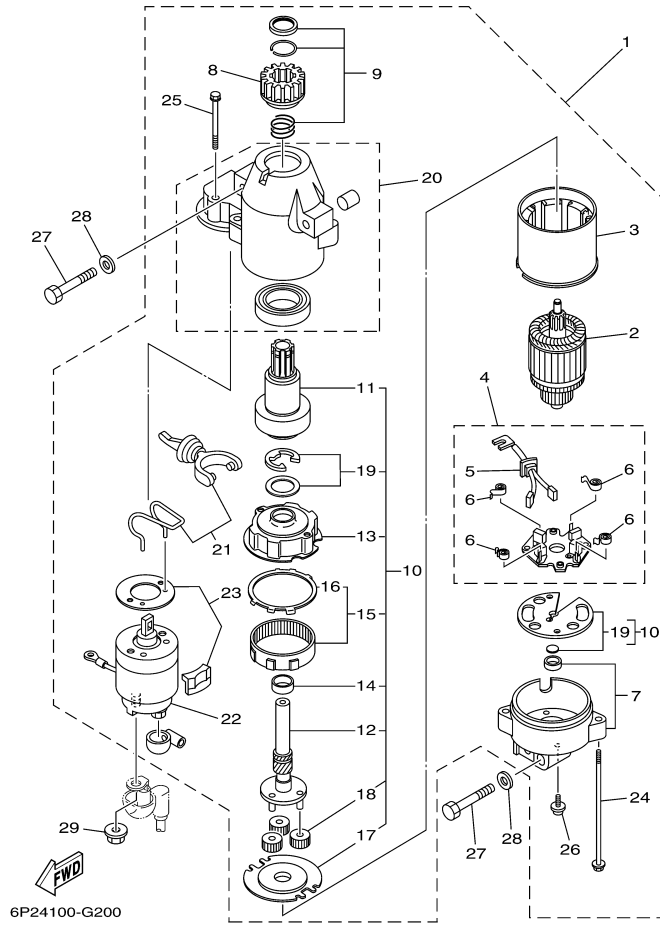
6P35110-H190

AP

Part List

LF250TXR 0409 / ELECTRICAL 3

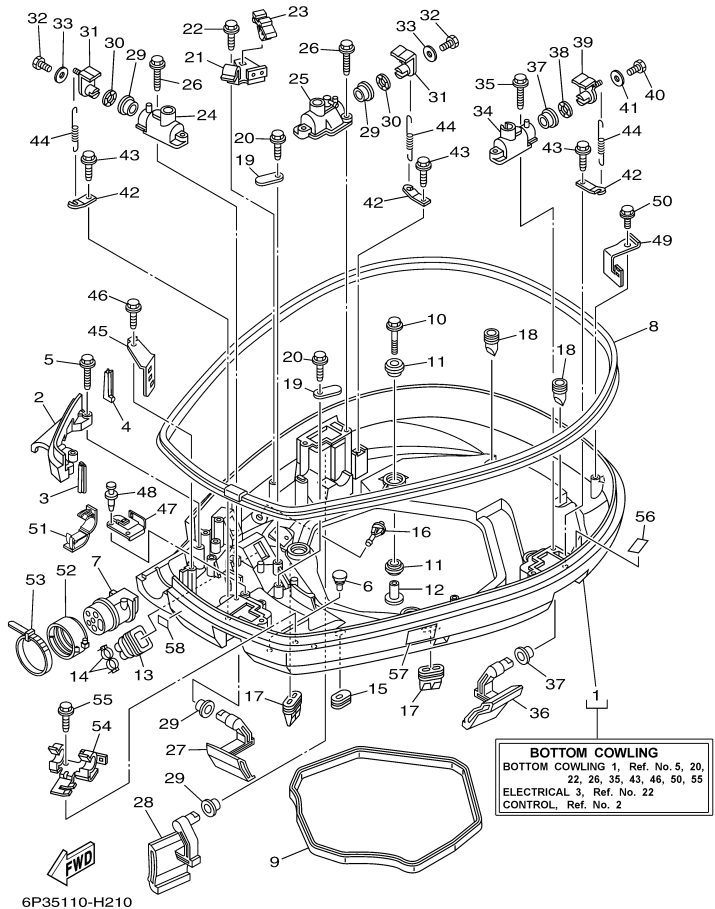
| REF - NO | PART NUMBER | PART NAME | QUANTITY | REMARKS |
|----------------|-----------------|---------------------------------|----------|---------|
| 1 | 6P2-82590-31-00 | WIRE HARNESS ASSY | 1 | |
| 2 | 6P2-82582-00-00 | .CAP 1 (FEMALE) | 1 | |
| 3 | 6P2-82582-10-00 | .CAP 1 (MALE) | 1 | |
| 4 | 90465-14M66-00 | CLAMP | 1 | |
| 5 | 6P2-82589-00-00 | PROTECTOR, WIRE HARNESS | 1 | |
| 6 | 90387-06M26-00 | .COLLAR | 6 | |
| 7 | 90465-14M66-00 | CLAMP | 2 | |
| 8 | 90464-19M45-00 | CLAMP | 4 | |
| 9 | 6P2-85722-00-00 | INSULATOR | 2 | |
| 10 | 97095-06035-00 | BOLT | 6 | |
| 11 | 92995-06600-00 | WASHER | 6 | |
| 12 | 90464-06001-00 | CLAMP | 1 | |
| 13 | 90464-18246-00 | CLAMP | 1 | |
| 14 | 90464-08051-00 | CLAMP | 1 | |
| 15 | 90465-13M18-00 | CLAMP | 3 | |
| 16 | 69J-82563-00-00 | TRIM & TILT SWITCH ASSY | 1 | |
| 17 | 6P3-82553-00-00 | EXTENSION, WIRE LEAD | 1 | |
| 18 | 90464-10M57-00 | CLAMP | 1 | |
| 19 | 69J-42723-00-8D | COVER, BOTTOM | 1 | |
| 20 | 69J-82587-00-00 | GASKET | 2 | |
| 21 | 69J-83614-10-00 | BRACKET | 2 | |
| 22 | 90109-06M86-00 | BOLT | 4 | |
| 23 | 63P-85886-00-00 | SENSOR, AIR TEMPERATURE | 1 | |
| 24 | 63P-14435-00-00 | GROMMET | 1 | |
| 25 | 69J-81949-02-00 | WIRE, LEAD (ISOLATOR, 3.8M) | 1 | AP |



Part List

LF250TXR 0409 / STARTING MOTOR

| REF - NO | PART NUMBER | PART NAME | QUANTITY | REMARKS |
|----------------|-----------------|-------------------------------|----------|---------|
| 1 | 6BR-81800-00-00 | STARTING MOTOR ASSY | 1 | |
| 2 | 67F-81850-00-00 | .ARMATURE ASSY | 1 | |
| 3 | 67F-81810-00-00 | .STATOR ASSY | 1 | |
| 4 | 69J-81840-00-00 | .BRUSH HOLDER ASSY | 1 | |
| 5 | 69J-81801-00-00 | ..BRUSH SET | 1 | |
| 6 | 67F-81813-00-00 | ..SPRING, BRUSH | 4 | |
| 7 | 67F-81820-00-00 | .REAR BRACKET ASSY | 1 | |
| 8 | 67F-81808-00-00 | .PINION ASSY | 1 | |
| 9 | 67F-81857-00-00 | .PINION STOPPER SET | 1 | |
| 10 | 67F-81807-00-00 | .GEAR ASSY, STARTING MOTOR | 1 | |
| 11 | 67F-81832-00-00 | ..CLUTCH, OVER RUN | 1 | |
| 12 | 67F-81836-00-00 | ..SHAFT, PINION | 1 | |
| 13 | 67F-81821-00-00 | ..BRACKET, CENTER 1 | 1 | |
| 14 | 67F-81841-00-00 | ..BEARING | 1 | |
| 15 | 67F-81891-00-00 | ..GEAR, RING | 1 | |
| 16 | 67F-8183R-00-00 | ...GASKET | 1 | |
| 17 | 67F-81830-00-00 | ..BRACKET, CENTER 2 | 1 | |
| 18 | 60V-8183T-00-00 | ..GEAR, IDLER | 3 | |
| 19 | 67F-81809-00-00 | ..WASHER KIT | 1 | |
| 20 | 69J-81842-00-00 | .COVER | 1 | |
| 21 | 69J-81839-00-00 | .LEVER ASSY | 1 | |
| 22 | 63P-81941-00-00 | .STARTER RELAY ASSY | 1 | |
| 23 | 69J-81869-00-00 | .COVER, DUST | 1 | |
| 24 | 6K7-81826-11-00 | .BOLT | 2 | |
| 25 | 69J-81828-00-00 | .SCREW 2 | 2 | |
| 26 | 67F-81846-00-00 | .SCREW | 2 | |
| 27 | 97013-08045-00 | BOLT | 3 | |
| 28 | 92903-08600-00 | WASHER, PLATE | 3 | |
| 29 | 90179-08003-00 | NUT | 1 | |

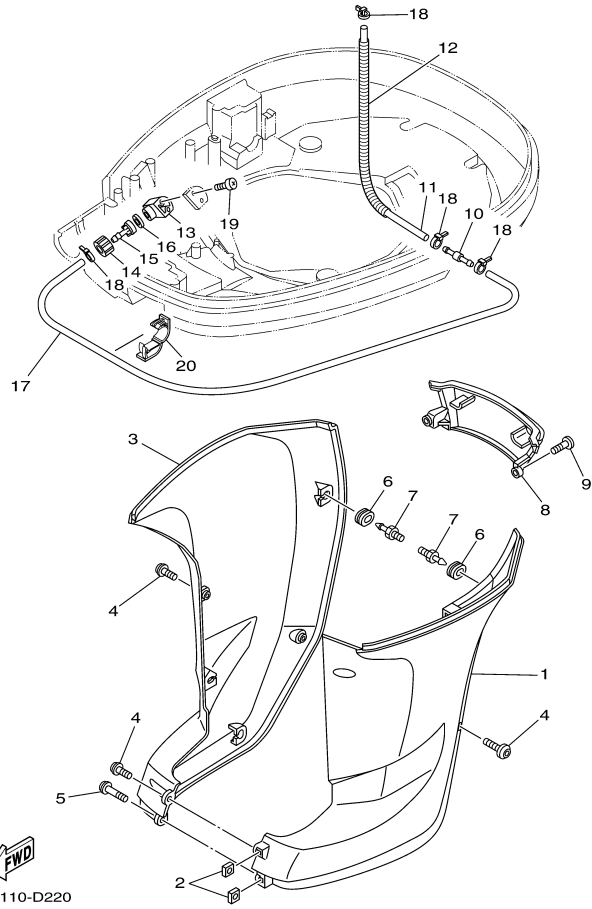


6P35110-H210

Part List

LF250TXR 0409 / BOTTOM COWLING 1

| REF - NO | PART NUMBER | PART NAME | QUANTITY | REMARKS |
|----------|-----------------|--------------------------|----------|---------|
| 1 | 6P2-42710-00-8D | BOTTOM COWLING ASSY | 1 | |
| 2 | 6P2-42738-00-8D | PLATE, FITTING | 1 | |
| 3 | 6P2-42717-00-00 | RUBBER, SEAL 2 | 1 | |
| 4 | 6P2-42718-00-00 | RUBBER, SEAL 3 | 1 | |
| 5 | 90109-06M82-00 | BOLT | 2 | |
| 6 | 6H4-42748-00-00 | GROMMET | 2 | |
| 7 | 6P2-42725-00-00 | GROMMET | 1 | |
| 8 | 6P2-42615-00-00 | SEAL | 1 | |
| 9 | 69J-42716-00-00 | RUBBER, SEAL 1 | 1 | |
| 10 | 90119-08M22-00 | BOLT, WITH WASHER | 4 | |
| 11 | 90480-22M81-00 | GROMMET | 8 | |
| 12 | 90387-08M37-00 | COLLAR | 4 | |
| 13 | 6H1-42726-21-00 | GROMMET | 1 | |
| 14 | 90465-11M10-00 | CLAMP | 2 | |
| 15 | 61A-42727-00-00 | GROMMET | 1 | |
| 16 | 6P2-44391-00-00 | NIPPLE, HOSE | 1 | |
| 17 | 69J-42717-00-00 | RUBBER, SEAL 2 | 2 | |
| 18 | 61A-42717-00-00 | RUBBER, SEAL 2 | 2 | |
| 19 | 6E5-82588-00-00 | PLATE | 2 | |
| 20 | 90109-06M81-00 | BOLT | 2 | |
| 21 | 6P2-82554-00-00 | STAY, NEUTRAL SWITCH | 1 | |
| 22 | 90109-06M86-00 | BOLT | 1 | |
| 23 | 90464-09M47-00 | CLAMP | 1 | |
| 24 | 69J-42828-02-8D | PLATE, CLAMP | 1 | |
| 25 | 6P2-42828-00-8D | PLATE, CLAMP | 1 | |
| 26 | 90109-06M82-00 | BOLT | 4 | |
| 27 | 69J-42815-00-8D | LEVER, CLAMP | 1 | |
| 28 | 69J-42817-00-8D | LEVER, CLAMP | 1 | |
| 29 | 90386-15M73-00 | BUSH | 4 | |
| 30 | 90206-15M18-00 | WASHER, WAVE | 2 | |
| 31 | 63P-42818-01-00 | LEVER, CLAMP | 2 | |
| 32 | 97095-06020-00 | BOLT | 2 | |
| 33 | 90201-06068-00 | WASHER, PLATE | 2 | |
| 34 | 68F-42828-10-8D | PLATE, CLAMP | 1 | |
| 35 | 90109-06M82-00 | BOLT | 2 | |
| 36 | 69J-42816-00-8D | LEVER, CLAMP | 1 | |
| 37 | 90386-15M73-00 | BUSH | 2 | |
| 38 | 90206-15M18-00 | WASHER, WAVE | 1 | |
| 39 | 68V-42818-01-00 | LEVER, CLAMP | 1 | |
| 40 | 97095-06020-00 | BOLT | 1 | |
| 41 | 90201-06068-00 | WASHER, PLATE | 1 | |
| 42 | 64D-43144-00-00 | HOOK, SPRING | 3 | |
| 43 | 90109-06M86-00 | BOLT | 3 | |
| 44 | 90506-18M40-00 | SPRING, TENSION | 3 | |
| 45 | 6P2-42743-00-00 | BRACKET | 1 | |
| 46 | 90109-06M82-00 | BOLT | 1 | |
| 47 | 6P2-42766-10-00 | BRACKET 2 | 1 | |
| 48 | 90269-05005-00 | RIVET | 2 | |
| 49 | 69J-8366G-01-00 | BRACKET 3 | 1 | |
| 50 | 90109-06M86-00 | BOLT | 1 | |
| 51 | 90464-18001-00 | CLAMP | 2 | |
| 52 | 68F-42753-00-00 | FASTNER | 1 | AP |
| 53 | 90464-20258-00 | CLAMP | 1 | AP |
| 54 | 6P2-82594-00-00 | CLAMP | 1 | |
| 55 | 90109-06M86-00 | BOLT | 1 | |
| 56 | 68V-82377-00-00 | LABEL | 1 | |
| 57 | 6AH-42794-40-00 | LABEL, WARNING (GENERAL) | 1 | |
| 58 | 6AH-81996-00-00 | MARK | 1 | |



6P21110-D220


Part List

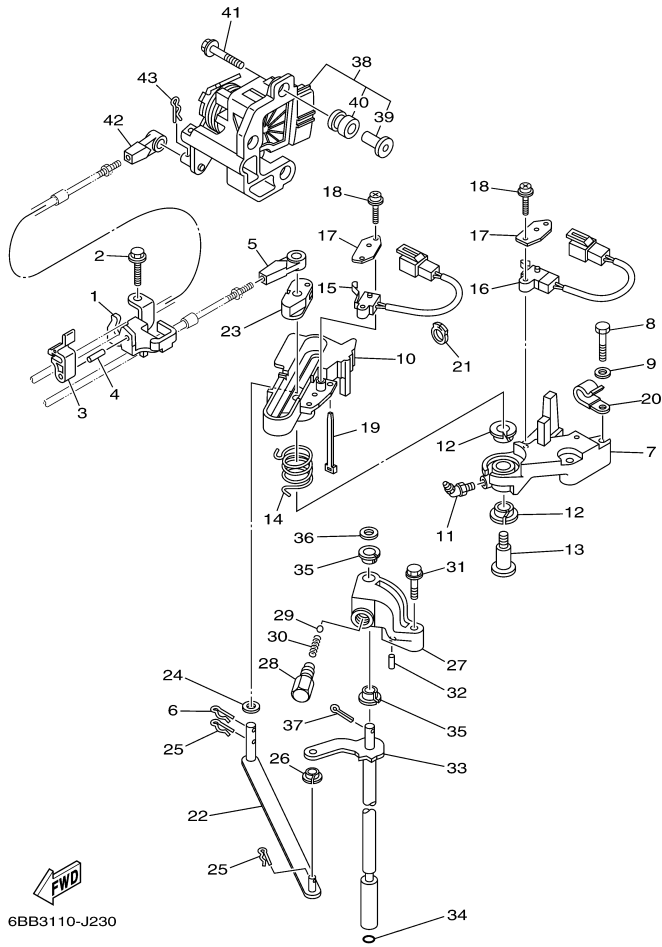
LF250TXR 0409 / BOTTOM COWLING 2

| REF - NO | PART NUMBER | PART NAME | QUANTITY | REMARKS |
|----------|-----------------|-------------------------|----------|---------|
| 1 | 69J-42741-00-8D | APRON | 1 | |
| 2 | 90173-06001-00 | NUT, SQUARE | 2 | |
| 3 | 69J-42771-00-8D | APRON | 1 | |
| 4 | 90111-06111-00 | BOLT,HEX. SOCKET BUTTON | 5 | |
| 5 | 90111-06113-00 | BOLT,HEX. SOCKET BUTTON | 1 | |
| 6 | 90480-14M17-00 | GROMMET | 6 | |
| 7 | 69J-42774-10-00 | STAY, APRON 1 | 6 | |
| 8 | 69J-45151-00-8D | COVER, UPPER CASING | 1 | |
| 9 | 90111-06111-00 | BOLT,HEX. SOCKET BUTTON | 2 | |
| 10 | 6E5-24379-00-00 | PIPE, JOINT 4 | 1 | |
| 11 | 90445-11M47-00 | HOSE (L370) | 1 | |
| 12 | 90447-13009-00 | TUBE | 1 | |
| 13 | 68T-12572-00-00 | ADAPTER | 1 | |
| 14 | 6R3-12581-00-00 | JOINT, HOSE 1 | 1 | |
| 15 | 6R3-12582-00-00 | JOINT, HOSE 2 | 1 | |
| 16 | 6R3-12583-00-00 | GASKET, HOSE JOINT | 1 | |
| 17 | 90445-11028-00 | HOSE (L1050) | 1 | |
| 18 | 90465-11M10-00 | CLAMP | 4 | |
| 19 | 97780-60520-00 | SCREW, TAPPING | 2 | |
| 20 | 90464-18004-00 | CLAMP | 1 | |

Part Notes

LF250TXR 0409 / BOTTOM COWLING 2

| PART NUMBER | NOTE TEXT |
|--|---|
| 90173-06001-00  | OEM: This part number is among the Top 100 Most Popular Marine Maintenance Parts as of February 2013. |






Part List

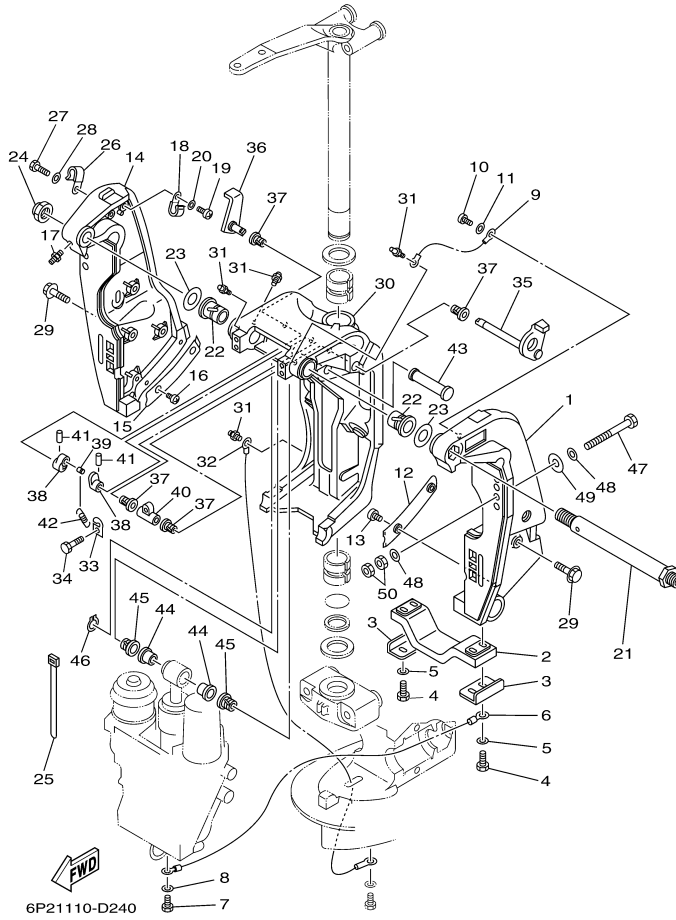
LF250TXR 0409 / CONTROL

| REF - NO | PART NUMBER | PART NAME | QUANTITY | REMARKS |
|----------|-----------------|---------------------------|----------|----------|
| 1 | 6P2-48531-00-00 | BRACKET, REMOTE CONTROL 1 | 1 | |
| 2 | 90109-06M86-00 | BOLT | 2 | |
| 3 | 63P-48538-00-00 | CLAMP, CABLE 1 | 1 | |
| 4 | 91690-30010-00 | PIN, SPRING | 1 | |
| 5 | 6E5-48344-00-00 | CABLE END, REMOTE CONTROL | 1 | |
| 6 | 90468-18008-00 | CLIP | 1 | |
| 7 | 69J-44117-00-94 | BRACKET | 1 | |
| 8 | 97095-06035-00 | BOLT | 2 | |
| 9 | 92995-06600-00 | WASHER | 2 | |
| 10 | 69J-44176-01-94 | BRACKET | 1 | |
| 11 | 93700-06M01-00 | NIPPLE, GREASE | 1 | |
| 12 | 90386-12069-00 | BUSH | 2 | |
| 13 | 90109-08019-00 | BOLT | 1 | |
| 14 | 90508-20020-00 | SPRING, TORSION | 1 | |
| 15 | 60V-8259F-00-00 | SWITCH ASSY | 1 | |
| 16 | 69J-8259F-00-00 | SWITCH ASSY | 1 | |
| 17 | 61A-82588-01-00 | PLATE | 2 | |
| 18 | 97985-04116-00 | SCREW, WITH WASHER | 4 | |
| 19 | 90465-11M10-00 | CLAMP | 1 | |
| 20 | 90465-06M86-00 | CLAMP | 1 | |
| 21 | 90464-09010-00 | CLAMP | 1 | |
| 22 | 6P2-44121-00-00 | LEVER, SHIFT ROD | 1 | |
| 23 | 69J-44122-00-00 | BUSHING, SHIFT ROD LEVER | 1 | |
| 24 | 90202-08M20-00 | WASHER, PLATE | 1 | |
| 25 | 90468-18008-00 | CLIP | 2 | |
| 26 | 90386-06M12-00 | BUSH | 1 | |
| 27 | 69J-44118-00-94 | BRACKET | 1 | |
| 28 | 648-42715-00-00 | BUSHING | 1 | |
| 29 | 93501-04M02-00 | BALL | 1 | |
| 30 | 90501-12082-00 | SPRING, COMPRESSION | 1 | |
| 31 | 97575-06535-00 | BOLT, WITH WASHER | 1 | |
| 32 | 91690-30010-00 | PIN, SPRING | 1 | |
| 33 | 69J-44120-00-00 | HANDLE GEAR SHIFT ASSY | 1 | X(25.3") |
| 34 | 93210-09165-00 | O-RING | 1 | |
| 35 | 90386-90M90-00 | BUSH | 2 | |
| 36 | 90201-09M02-00 | WASHER, PLATE | 1 | |
| 37 | 91490-20015-00 | PIN. COTTER | 1 | |
| 38 | 6P2-8A410-00-00 | SENSOR UNIT | 1 | |
| 39 | 6P2-44139-00-00 | .COLLAR | 3 | |
| 40 | 6P2-41273-00-00 | .GROMMET | 3 | |
| 41 | 90119-06126-00 | BOLT, WITH WASHER | 3 | |
| 42 | 6E5-48344-00-00 | CABLE END, REMOTE CONTROL | 1 | |
| 43 | 90468-18008-00 | CLIP | 1 | |

Part Notes

LF250TXR 0409 / CONTROL

| PART NUMBER | NOTE TEXT |
|--|---|
| 90468-18008-00  | OEM: This part number is among the Top 100 Most Popular Marine Maintenance Parts as of February 2013. |
| 90468-18008-00  | OEM: This part number is among the Top 100 Most Popular Marine Maintenance Parts as of February 2013. |
| 90468-18008-00  | OEM: This part number is among the Top 100 Most Popular Marine Maintenance Parts as of February 2013. |






Part List

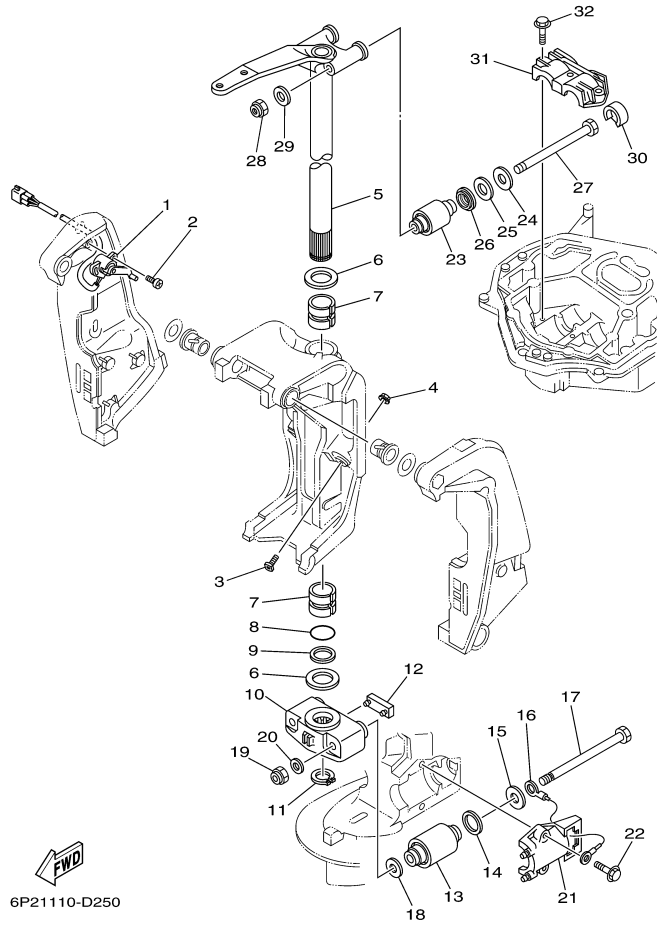
LF250TXR 0409 / BRACKET 1

| REF - NO | PART NUMBER | PART NAME | QUANTITY | REMARKS |
|----------|-----------------|------------------------|----------|---------|
| 1 | 69J-43111-01-8D | BRACKET, CLAMP 1 | 1 | |
| 2 | 6G5-45251-02-00 | ANODE | 1 | |
| 3 | 6G5-44526-00-00 | PLATE | 2 | |
| 4 | 97095-06025-00 | BOLT | 4 | |
| 5 | 92995-06600-00 | WASHER | 4 | |
| 6 | 6H1-82148-00-00 | WIRE, LEAD 4 | 1 | |
| 7 | 97095-06010-00 | BOLT | 1 | |
| 8 | 92995-06600-00 | WASHER | 1 | |
| 9 | 6E5-82148-00-00 | WIRE, LEAD 4 | 1 | |
| 10 | 97885-06012-00 | SCREW, PAN HEAD | 1 | |
| 11 | 92995-06600-00 | WASHER | 1 | |
| 12 | 61A-43132-00-00 | WASHER, FRICTION | 1 | |
| 13 | 97885-06010-00 | SCREW, PAN HEAD | 2 | |
| 14 | 69J-43112-01-8D | BRACKET, CLAMP 2 | 1 | |
| 15 | 61A-43133-00-00 | WASHER, FRICTION | 1 | |
| 16 | 97885-06010-00 | SCREW, PAN HEAD | 2 | |
| 17 | 93700-06M03-00 | NIPPLE, GREASE | 1 | |
| 18 | 90465-08M83-00 | CLAMP | 1 | |
| 19 | 97885-06012-00 | SCREW, PAN HEAD | 1 | |
| 20 | 92995-06600-00 | WASHER | 1 | |
| 21 | 6R3-43131-00-00 | BOLT, CLAMP BRACKET | 1 | |
| 22 | 90386-25M31-00 | BUSH | 2 | |
| 23 | 90201-26M59-00 | WASHER, PLATE | 2 | |
| 24 | 90185-22M11-00 | NUT, SELF-LOCKING | 1 | |
| 25 | 90465-11M10-00 | CLAMP | 4 | |
| 26 | 90465-08M83-00 | CLAMP | 1 | |
| 27 | 97095-06014-00 | BOLT | 1 | |
| 28 | 92995-06600-00 | WASHER | 1 | |
| 29 | 90119-10024-00 | BOLT, WITH WASHER | 8 | |
| 30 | 61A-43311-21-8D | BRACKET, SWIVEL 1 | 1 | |
| 31 | 93700-06M03-00 | NIPPLE, GREASE | 5 | |
| 32 | 69J-82147-00-00 | WIRE, LEAD 5 | 1 | |
| 33 | 6G5-43144-00-00 | HOOK, SPRING | 1 | |
| 34 | 97095-06010-00 | BOLT | 1 | |
| 35 | 61A-43181-01-00 | LEVER, TILT STOP 1 | 1 | |
| 36 | 6G5-43185-02-00 | LEVER, TILT STOP 2 | 1 | |
| 37 | 90386-10M16-00 | BUSH | 4 | |
| 38 | 6G5-43148-00-00 | COLLAR, DISTANCE | 2 | |
| 39 | 90249-06M19-00 | PIN | 1 | |
| 40 | 90387-10M02-00 | COLLAR | 1 | |
| 41 | 91690-30020-00 | PIN, SPRING | 2 | |
| 42 | 90506-16003-00 | SPRING, TENSION | 1 | |
| 43 | 6E5-43126-02-00 | PIN, UPPER SHOCK MOUNT | 1 | |
| 44 | 90386-18M63-00 | BUSH | 2 | |
| 45 | 90386-18M14-00 | BUSH | 2 | |
| 46 | 93410-18M02-00 | CIRCLIP | 1 | |
| 47 | 90101-12M77-00 | BOLT (L:150MM) | 2 | UR |
| 47 | 90101-12M05-00 | BOLT (L:130MM) | 4 | UR |
| 48 | 90201-13M01-00 | WASHER, PLATE | 8 | |
| 49 | 90201-12M05-00 | WASHER, PLATE | 4 | |
| 50 | 95380-12600-00 | NUT | 8 | |

Part Notes

LF250TXR 0409 / BRACKET 1

| PART NUMBER | NOTE TEXT |
|---|---|
| 6G5-45251-02-00  | OEM: This part number is among the Top 100 Most Popular Marine Maintenance Parts as of February 2013. |
| 93700-06M03-00  | OEM: This part number is among the Top 100 Most Popular Marine Maintenance Parts as of February 2013. |
| 93700-06M03-00  | OEM: This part number is among the Top 100 Most Popular Marine Maintenance Parts as of February 2013. |

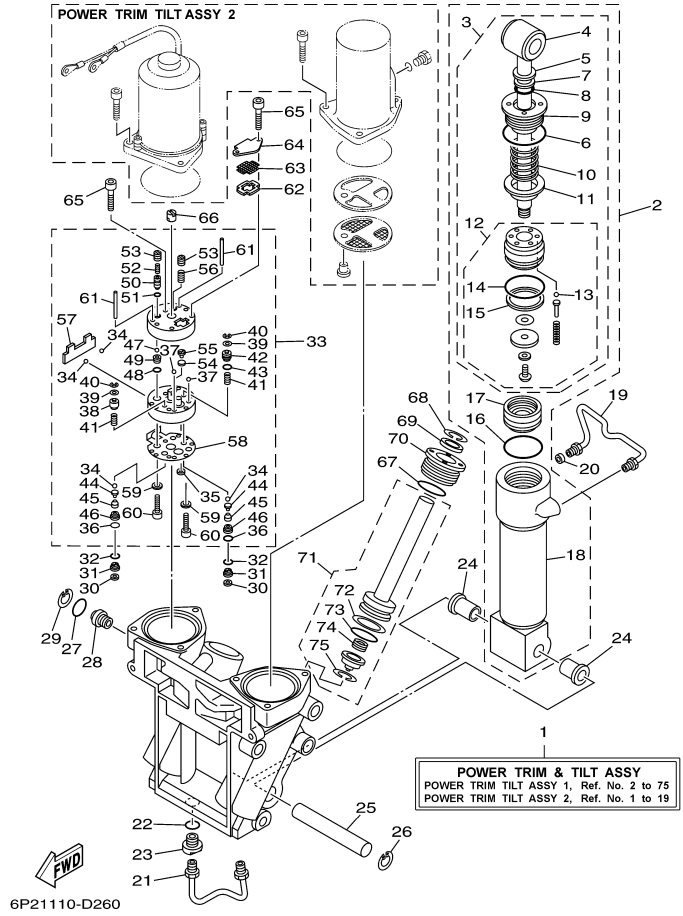


6P21110-D250

Part List

LF250TXR 0409 / BRACKET 2

| REF - NO | PART NUMBER | PART NAME | QUANTITY | REMARKS |
|----------------|-----------------|----------------------------------|----------|---------|
| 1 | 69J-83672-10-00 | TRIM SENDER | 1 | |
| 2 | 97885-06016-00 | SCREW, PAN HEAD | 2 | |
| 3 | 61A-43376-00-00 | BOLT, THRUST RECEIVER | 2 | |
| 4 | 95780-10300-00 | NUT, FLANGE | 2 | |
| 5 | 69J-42510-00-8D | STEERING BRACKET ASSY | 1 | |
| 6 | 90201-40M00-00 | WASHER, PLATE | 2 | |
| 7 | 90386-39M89-00 | BUSH | 2 | |
| 8 | 93210-35321-00 | O-RING | 1 | |
| 9 | 90202-40M47-00 | WASHER, PLATE | 1 | |
| 10 | 69J-44551-00-8D | HOUSING, LOWER MOUNT RUBBER 1 | 1 | |
| 11 | 93410-37M04-00 | CIRCLIP | 1 | |
| 12 | 61A-44575-00-00 | DAMPER, LOWER MOUNT RUBBER | 1 | |
| 13 | 60X-44555-00-94 | MOUNT DAMPER, LOWER SIDE | 2 | |
| 14 | 90202-32M19-00 | WASHER, PLATE | 2 | |
| 15 | 90201-16016-00 | WASHER, PLATE | 2 | |
| 16 | 6E5-82149-00-00 | WIRE, LEAD 3 | 1 | |
| 17 | 90101-14002-00 | BOLT | 2 | |
| 18 | 90201-15M58-00 | WASHER, PLATE | 2 | |
| 19 | 90185-14M00-00 | NUT, SELF-LOCKING | 2 | |
| 20 | 92995-14600-00 | WASHER | 2 | |
| 21 | 61A-44552-01-CA | HOUSING, LOWER MOUNT RUBBER 2 | 2 | |
| 22 | 90119-10024-00 | BOLT, WITH WASHER | 4 | |
| 23 | 69J-44514-00-94 | MOUNT DAMPER, UPPER SIDE | 2 | |
| 24 | 90201-16015-00 | WASHER, PLATE | 2 | |
| 25 | 90202-28M46-00 | WASHER, PLATE | 2 | |
| 26 | 69J-44532-00-00 | STOPPER, UPPER MOUNT | 2 | |
| 27 | 90101-14003-00 | BOLT | 2 | |
| 28 | 90185-14M00-00 | NUT, SELF-LOCKING | 2 | |
| 29 | 92995-14600-00 | WASHER | 2 | |
| 30 | 69J-44533-00-00 | DAMPER, UPPER MOUNT RUBBER | 2 | |
| 31 | 61A-44511-01-94 | COVER, UPPER MOUNT | 1 | |
| 32 | 90119-10024-00 | BOLT, WITH WASHER | 3 | |



Part List




LF250TXR 0409 / POWER TRIM TILT ASSY 1

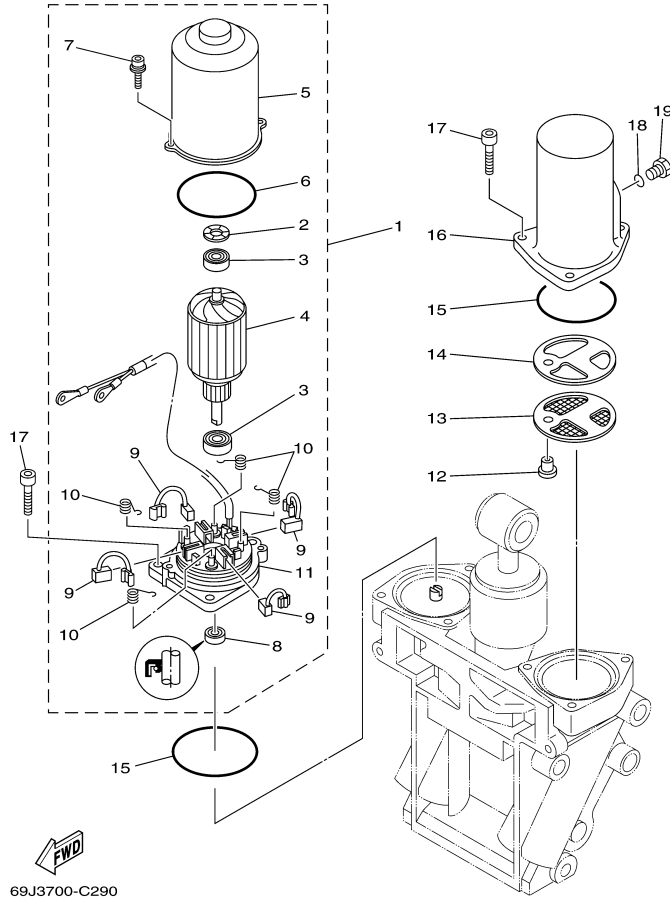
| REF - NO | PART NUMBER | PART NAME | QUANTITY | REMARKS |
|----------------|-----------------|-------------------------|----------|---------|
| 1 | 69J-43800-02-8D | POWER TRIM & TILT ASSY | 1 | |
| 2 | 69J-43840-01-00 | POWER TILT ASSY | 1 | |
| 3 | 69J-43810-01-00 | .TILT PISTON SUB ASSY | 1 | |
| 4 | 69J-43801-00-00 | ..ROD | 1 | |
| 5 | 93106-19N50-00 | ..OIL SEAL | 1 | |
| 6 | 6H1-43861-00-00 | ..O-RING | 1 | |
| 7 | 6H1-43872-00-00 | ..RING, BACK UP | 1 | |
| 8 | 61A-4389H-00-00 | ..O-RING | 1 | |
| 9 | 61A-43811-00-00 | ..SCREW, CYLINDER END | 1 | |
| 10 | 69J-4384H-00-00 | ..SPRING | 1 | |
| 11 | 69J-4382E-00-00 | ..ADAPTOR 2 | 1 | |
| 12 | 69J-4380P-01-00 | ..PISTON SUB ASSY | 1 | |
| 13 | 93505-32038-00 | ...BALL | 5 | |
| 14 | 61A-43861-00-00 | ...O-RING | 1 | |
| 15 | 61A-43871-00-00 | ...RING, BACK UP | 1 | |
| 16 | 61A-43861-00-00 | .O-RING | 1 | |
| 17 | 6H1-43814-00-00 | .PISTON, FREE | 1 | |
| 18 | 61A-43813-01-00 | .CYLINDER, TILT | 1 | |
| 19 | 61A-43835-01-00 | PIPE | 1 | |
| 20 | 69J-4388J-00-00 | PLUG 2 | 1 | |
| 21 | 69J-43833-00-00 | PIPE | 1 | |
| 22 | 93210-17239-00 | O-RING | 1 | |
| 23 | 69J-4388E-00-00 | BOLT ,SCREW | 1 | |
| 24 | 90386-18M14-00 | BUSH | 2 | |
| 25 | 61A-43818-00-00 | PIN, LOWER SHOCK MOUNT | 1 | |
| 26 | 61A-43876-00-00 | RING, SNAP | 1 | |
| 27 | 93210-18397-00 | O-RING | 1 | |
| 28 | 69J-43845-00-00 | SCREW, MANUAL RELEASE | 1 | |
| 29 | 6H1-43875-00-00 | RING, SNAP | 1 | |
| 30 | 69J-4381C-00-00 | .FILTER 3 | 2 | |
| 31 | 69J-43899-00-00 | PLATE STOPPER | 2 | |
| 32 | 69J-4389J-00-00 | .O-RING | 2 | |
| 33 | 69J-43830-01-00 | GEAR PUMP ASSY | 1 | |
| 34 | 93505-32038-00 | .BALL | 4 | |
| 35 | 69J-4381C-00-00 | .FILTER 3 | 1 | |
| 36 | 69J-4389J-00-00 | .O-RING | 2 | |
| 37 | 93503-16003-00 | .BALL | 2 | |
| 38 | 69J-4384M-00-00 | .PISTON, SHUTTLE 2 | 1 | |
| 39 | 69A-4384F-00-00 | .SEAL, MAIN VALVE | 2 | |
| 40 | 99002-03600-00 | .CLIP | 2 | |
| 41 | 69J-43894-00-00 | .SPRING, SHUTTLE RETURN | 2 | |
| 42 | 69J-43841-00-00 | .PISTON, SHUTTLE | 1 | |
| 43 | 6H1-43883-00-00 | .O-RING | 1 | |
| 44 | 60V-4386A-00-00 | .PIN, ABSORBER VALVE | 2 | |
| 45 | 69J-43853-00-00 | .SPRING, MAIN VALVE | 2 | |
| 46 | 69J-43893-00-00 | .WASHER | 2 | |
| 47 | 93501-08001-00 | .BALL | 2 | |
| 48 | 93210-08391-00 | .O-RING | 1 | |
| 49 | 69J-43851-00-00 | .SEAT, RELIEF VALVE | 1 | |
| 50 | 69J-43844-00-00 | .PIN, VALVE SUPPORT | 1 | |
| 51 | 93210-064A5-00 | .O-RING | 1 | |
| 52 | 69J-43855-00-00 | .SPRING, UP RELIEF | 1 | |
| 53 | 69J-43843-00-00 | .SCREW, VALVE LOCK | 2 | |
| 54 | 6H1-4384G-11-00 | .SEAL, RELIEF VALVE | 1 | |
| 55 | 6H1-43844-10-00 | .PIN, VALVE SUPPORT | 1 | |
| 56 | 6H1-43856-10-00 | .SPRING, DOWN RELIEF | 1 | |
| 57 | 69J-43854-00-00 | .SPRING, MANUAL RELEASE | 1 | |
| 58 | 69J-4384G-00-00 | .SEAL, RELIEF VALVE | 1 | |
| 59 | CS3-4387G-00-00 | .WASHER | 2 | |
| 60 | 91318-05025-00 | .BOLT | 2 | |
| 61 | 93604-35236-00 | .PIN, DOWEL | 2 | |
| 62 | 69J-43871-00-00 | RING, BACK UP | 1 | |
| 63 | 69J-43816-00-00 | FILTER 1 | 1 | |
| 64 | 69J-4381J-00-00 | PLATE | 1 | |
| 65 | 91318-05040-00 | BOLT | 3 | |

| | | | | |
|----|-----------------|--------------------------|---|--|
| 66 | 69J-43831-00-00 | CONNECTOR, SHAFT | 1 | |
| 67 | 61A-43861-00-00 | O-RING | 2 | |
| 68 | 6T4-43875-01-00 | RING, SNAP | 2 | |
| 69 | 61A-43822-00-00 | SEAL, TRIM DUST | 2 | |
| 70 | 61A-43821-00-00 | SCREW, TRIM CYLINDER END | 2 | |
| 71 | 69J-43820-00-00 | TRIM PISTON SUB ASSY | 2 | |
| 72 | 61A-43874-00-00 | .RING, BACK UP | 1 | |
| 73 | 61A-43864-00-00 | .O-RING | 1 | |
| 74 | 61A-4384H-10-00 | .SPRING | 1 | |
| 75 | 61A-43875-10-00 | .RING, SNAP | 1 | |

Part Notes

LF250TXR 0409 / POWER TRIM TILT ASSY 1

| PART NUMBER | | NOTE TEXT |
|-----------------|---|---|
| 6T4-43875-01-00 |  | OEM: This part number is among the Top 100 Most Popular Marine Maintenance Parts as of February 2013. |
| 61A-43822-00-00 |  | OEM: This part number is among the Top 100 Most Popular Marine Maintenance Parts as of February 2013. |
| 61A-43821-00-00 |  | OEM: This part number is among the Top 100 Most Popular Marine Maintenance Parts as of February 2013. |

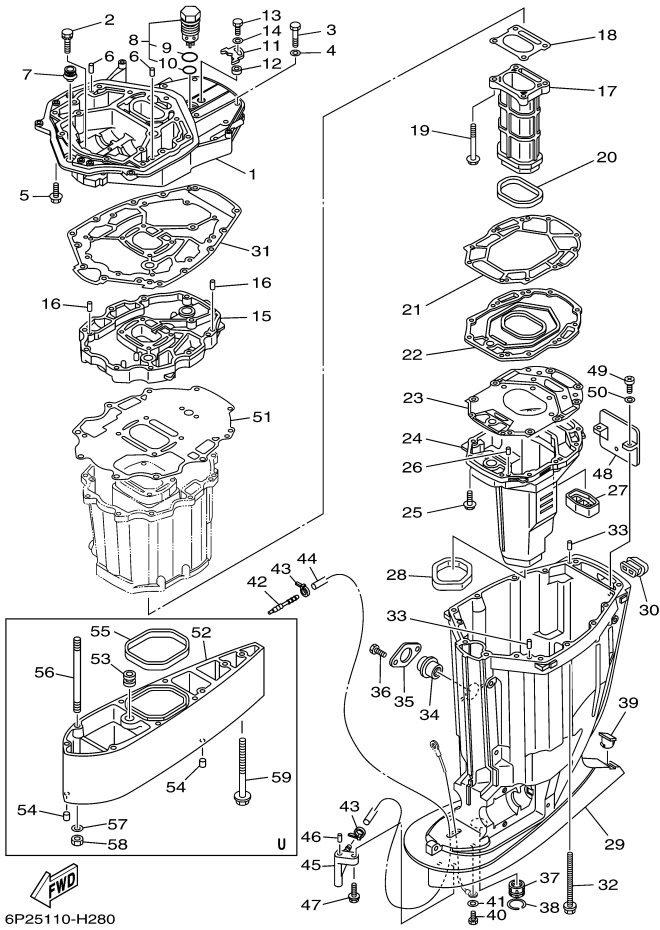


69J3700-C290

Part List

LF250TXR 0409 / POWER TRIM TILT ASSY 2

| REF - NO | PART NUMBER | PART NAME | QUANTITY | REMARKS |
|----------------|-----------------|-----------------|----------|---------|
| 1 | 69J-43880-01-00 | MOTOR ASSY | 1 | |
| 2 | 90206-14N50-00 | .WASHER, WAVE | 1 | |
| 3 | 93399-999T6-00 | .BEARING | 2 | |
| 4 | 69J-43805-00-00 | .ARMATURE ASSY | 1 | |
| 5 | 69J-43804-00-00 | .STATOR ASSY | 1 | |
| 6 | 69J-43861-00-00 | .O-RING | 1 | |
| 7 | 69J-43886-00-00 | .BOLT | 2 | |
| 8 | 69J-43882-00-00 | .OIL SEAL | 1 | |
| 9 | 69J-43891-00-00 | .BRUSH 1 | 4 | |
| 10 | 69J-4386K-00-00 | .SPRING, BRUSH | 4 | |
| 11 | 69J-43881-01-00 | .FRAME, END | 1 | |
| 12 | 69J-4388H-00-00 | PLUG | 1 | |
| 13 | 69J-43817-00-00 | FILTER 2 | 1 | |
| 14 | 69J-4388F-00-00 | SPACER | 1 | |
| 15 | 6H1-43869-00-00 | O-RING | 2 | |
| 16 | 69J-43828-00-00 | BODY, RESERVOIR | 1 | |
| 17 | 69J-43888-00-00 | BOLT, SOCKET | 6 | |
| 18 | 93210-09165-00 | O-RING | 1 | |
| 19 | 6H1-43829-00-00 | PLUG, RESERVOIR | 1 | |






Part List

LF250TXR 0409 / UPPER CASING

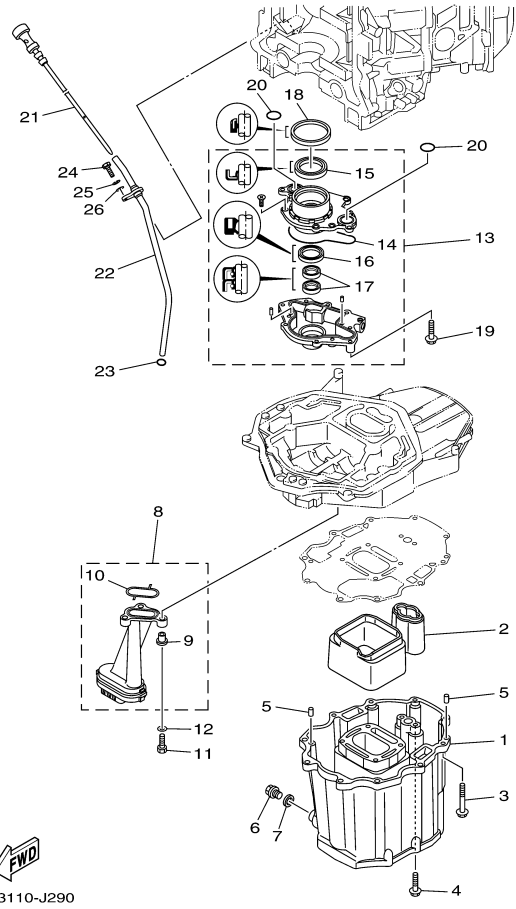
| REF - NO | PART NUMBER | PART NAME | QUANTITY | REMARKS |
|----------|-----------------|-----------------------------|----------|----------|
| 1 | 69J-41137-10-CA | GUIDE, EXHAUST | 1 | |
| 2 | 90119-08M79-00 | BOLT, WITH WASHER | 2 | |
| 3 | 97075-10045-00 | BOLT | 7 | |
| 4 | 92995-10600-00 | WASHER | 7 | |
| 5 | 97575-10535-00 | BOLT, WITH WASHER | 7 | |
| 6 | 93608-16M16-00 | PIN, DOWEL | 2 | |
| 7 | 6E5-42724-00-00 | GROMMET | 1 | |
| 8 | 6AW-11371-10-00 | PRESSURE CONTROL VALVE ASSY | 1 | |
| 9 | 93210-347A1-00 | .O-RING | 1 | |
| 10 | 93210-28543-00 | .O-RING | 1 | |
| 11 | 69J-12233-00-00 | PLATE, GUIDE STOPPER 1 | 1 | |
| 12 | 90387-06037-00 | COLLAR | 1 | |
| 13 | 97095-06020-00 | BOLT | 1 | |
| 14 | 92995-06600-00 | WASHER | 1 | |
| 15 | 69J-41131-10-CA | MANIFOLD, EXT. 1 | 1 | |
| 16 | 93608-16M16-00 | PIN, DOWEL | 2 | |
| 17 | 69J-41132-20-9S | MANIFOLD, EXHAUST | 1 | |
| 18 | 6P2-41134-00-00 | .GASKET, EXHAUST MANIFOLD | 1 | |
| 19 | 97575-08590-00 | BOLT, WITH WASHER | 4 | |
| 20 | 69J-41138-00-00 | .SEAL, EXT. 1 | 1 | |
| 21 | 69J-41135-A0-00 | .GASKET, EXHAUST MANIFOLD | 1 | |
| 22 | 69J-45181-10-9S | PLATE | 1 | |
| 23 | 6S1-41136-00-00 | .GASKET, EXHAUST MANIFOLD 4 | 1 | |
| 24 | 69J-14711-20-9S | MUFFLER 1 | 1 | |
| 25 | 97575-08535-00 | BOLT, WITH WASHER | 10 | |
| 26 | 93606-19M23-00 | PIN, DOWEL | 2 | |
| 27 | 69J-45127-00-00 | .SEAL | 1 | |
| 28 | 69J-45123-00-00 | .GASKET, MUFFLER | 1 | |
| 29 | 69J-45111-10-8D | CASING, UPPER | 1 | |
| 30 | 69J-42769-00-00 | SEAL, RUBBER | 1 | |
| 31 | 69J-45113-20-00 | .GASKET, UPPER CASING | 1 | |
| 32 | 90119-10007-00 | BOLT, WITH WASHER | 6 | |
| 33 | 93608-16M16-00 | PIN, DOWEL | 2 | |
| 34 | 69J-15316-00-00 | DAMPER 1 | 1 | |
| 35 | 69J-45152-10-00 | COVER, UPPER CASING 2 | 1 | |
| 36 | 90101-06055-00 | BOLT | 2 | |
| 37 | 69J-45318-01-00 | BUSHING, DRIVE SHAFT | 1 | |
| 38 | 93420-36M01-00 | CIRCLIP | 1 | |
| 39 | 61A-45155-00-00 | CAP | 1 | |
| 40 | 97095-06010-00 | BOLT | 1 | |
| 41 | 92995-06600-00 | WASHER | 1 | |
| 42 | 6E5-83558-00-00 | END, NIPPLE | 1 | |
| 43 | 90465-11M10-00 | CLAMP | 2 | |
| 44 | 90445-07010-00 | HOSE (L1330) | 1 | X(25.3") |
| 45 | 61A-45378-00-00 | NIPPLE, HOSE | 1 | |
| 46 | 93606-12019-00 | PIN, DOWEL | 1 | |
| 47 | 90119-06M17-00 | BOLT, WITH WASHER | 1 | |
| 48 | 69J-14624-01-00 | COVER, EXHAUST | 1 | |
| 49 | 97880-06016-00 | SCREW, PAN HEAD | 2 | |
| 50 | 92990-06600-00 | WASHER, PLATE | 2 | |
| 51 | 69J-15312-01-00 | .GASKET, OIL PAN | 1 | |

Part Notes

LF250TXR 0409 / UPPER CASING

| PART NUMBER | NOTE TEXT |
|-----------------|--|
| 69J-41137-10-CA |  OEM: If you are replacing damaged exhaust components on a 3.1L V6 Fourstroke, two kits have been developed to make choosing and ordering the correct parts easier. Ordering either MAR-EXHKT-03-00 (EXH KIT F200-225 for 2002-2003 models) or MAR-EXHKT-04-00 (EXH KIT F200-250 2004 models and up) will get you everything needed to rebuild the entire exhaust system. |
| 6AW-11371-10-00 |  OEM: If you are replacing damaged exhaust components on a 3.1L V6 Fourstroke, two kits have been developed to make choosing and ordering the correct parts easier. Ordering either MAR-EXHKT-03-00 (EXH KIT F200-225 for 2002-2003 models) or MAR-EXHKT-04-00 (EXH KIT F200-250 2004 models and up) will get you everything needed to rebuild the entire exhaust system. |
| 69J-41132- |  OEM: If you are replacing damaged exhaust components on a 3.1L V6 Fourstroke, two kits have been developed to make choosing and ordering the correct parts easier. Ordering either MAR-EXHKT-03-00 (EXH KIT F200-225 for 2002-2003 models) or |

| | | |
|-----------------|---|--|
| 20-9S | | MAR-EXHKT-04-00 (EXH KIT F200-250 2004 models and up) will get you everything needed to rebuild the entire exhaust system. |
| 6P2-41134-00-00 |  | OEM: If you are replacing damaged exhaust components on a 3.1L V6 Fourstroke, two kits have been developed to make choosing and ordering the correct parts easier. Ordering either MAR-EXHKT-03-00 (EXH KIT F200-225 for 2002-2003 models) or MAR-EXHKT-04-00 (EXH KIT F200-250 2004 models and up) will get you everything needed to rebuild the entire exhaust system. |
| 69J-41138-00-00 |  | OEM: If you are replacing damaged exhaust components on a 3.1L V6 Fourstroke, two kits have been developed to make choosing and ordering the correct parts easier. Ordering either MAR-EXHKT-03-00 (EXH KIT F200-225 for 2002-2003 models) or MAR-EXHKT-04-00 (EXH KIT F200-250 2004 models and up) will get you everything needed to rebuild the entire exhaust system. |
| 69J-41135-A0-00 |  | OEM: If you are replacing damaged exhaust components on a 3.1L V6 Fourstroke, two kits have been developed to make choosing and ordering the correct parts easier. Ordering either MAR-EXHKT-03-00 (EXH KIT F200-225 for 2002-2003 models) or MAR-EXHKT-04-00 (EXH KIT F200-250 2004 models and up) will get you everything needed to rebuild the entire exhaust system. |
| 69J-45181-10-9S |  | OEM: If you are replacing damaged exhaust components on a 3.1L V6 Fourstroke, two kits have been developed to make choosing and ordering the correct parts easier. Ordering either MAR-EXHKT-03-00 (EXH KIT F200-225 for 2002-2003 models) or MAR-EXHKT-04-00 (EXH KIT F200-250 2004 models and up) will get you everything needed to rebuild the entire exhaust system. |
| 6S1-41136-00-00 |  | OEM: If you are replacing damaged exhaust components on a 3.1L V6 Fourstroke, two kits have been developed to make choosing and ordering the correct parts easier. Ordering either MAR-EXHKT-03-00 (EXH KIT F200-225 for 2002-2003 models) or MAR-EXHKT-04-00 (EXH KIT F200-250 2004 models and up) will get you everything needed to rebuild the entire exhaust system. |
| 69J-45127-00-00 |  | OEM: If you are replacing damaged exhaust components on a 3.1L V6 Fourstroke, two kits have been developed to make choosing and ordering the correct parts easier. Ordering either MAR-EXHKT-03-00 (EXH KIT F200-225 for 2002-2003 models) or MAR-EXHKT-04-00 (EXH KIT F200-250 2004 models and up) will get you everything needed to rebuild the entire exhaust system. |
| 69J-45123-00-00 |  | OEM: If you are replacing damaged exhaust components on a 3.1L V6 Fourstroke, two kits have been developed to make choosing and ordering the correct parts easier. Ordering either MAR-EXHKT-03-00 (EXH KIT F200-225 for 2002-2003 models) or MAR-EXHKT-04-00 (EXH KIT F200-250 2004 models and up) will get you everything needed to rebuild the entire exhaust system. |
| 92990-06600-00 |  | OEM: This part number is among the Top 100 Most Popular Marine Maintenance Parts as of February 2013. |
| 69J-15312-01-00 |  | OEM: If you are replacing damaged exhaust components on a 3.1L V6 Fourstroke, two kits have been developed to make choosing and ordering the correct parts easier. Ordering either MAR-EXHKT-03-00 (EXH KIT F200-225 for 2002-2003 models) or MAR-EXHKT-04-00 (EXH KIT F200-250 2004 models and up) will get you everything needed to rebuild the entire exhaust system. |



6BB3110-J290





Part List

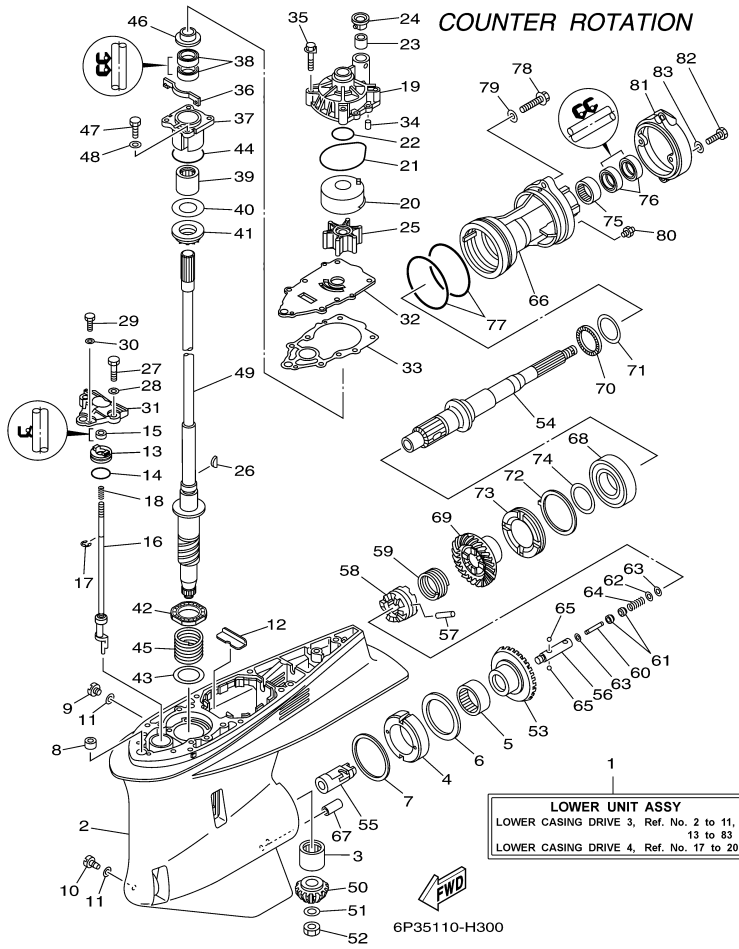
LF250TXR 0409 / OIL PAN

| REF - NO | PART NUMBER | PART NAME | QUANTITY | REMARKS |
|----------|-----------------|----------------------|----------|---------|
| 1 | 69J-15311-00-CA | OIL PAN | 1 | |
| 2 | 69J-15761-00-00 | SEAL, RUBBER 1 | 1 | |
| 3 | 97575-08560-00 | BOLT, WITH WASHER | 10 | |
| 4 | 97575-08535-00 | BOLT, WITH WASHER | 2 | |
| 5 | 93608-16M16-00 | PIN, DOWEL | 2 | |
| 6 | 90340-14M06-00 | PLUG, STRAIGHT SCREW | 1 | |
| 7 | 90430-14M09-00 | .GASKET | 1 | |
| 8 | 69J-13411-00-00 | STRAINER, OIL | 1 | |
| 9 | 90387-06M64-00 | .COLLAR | 3 | |
| 10 | 69J-13415-00-00 | .SEAL, OIL STRAINER | 1 | |
| 11 | 97027-06025-00 | BOLT, HEXAGON | 3 | |
| 12 | 92907-06600-00 | WASHER, PLATE | 3 | |
| 13 | 69J-13300-02-00 | OIL PUMP ASSY | 1 | |
| 14 | 69J-13329-00-00 | .GASKET, PUMP COVER | 1 | |
| 15 | 69J-13338-00-00 | .OIL SEAL | 1 | |
| 16 | 6AW-13119-00-00 | .OIL SEAL | 1 | |
| 17 | 69J-13631-00-00 | .OIL SEAL | 2 | |
| 18 | 69J-11355-00-00 | .SEAL, CYLINDER 1 | 1 | |
| 19 | 97575-06540-00 | BOLT, WITH WASHER | 4 | |
| 20 | 93210-25552-00 | .O-RING | 2 | |
| 21 | 6P2-15362-10-00 | PLUG, OIL LEVEL | 1 | |
| 22 | 6P2-15377-10-00 | GUIDE, INLET | 1 | |
| 23 | 93210-19M13-00 | .O-RING | 1 | |
| 24 | 97095-06020-00 | BOLT | 1 | |
| 25 | 92995-06100-00 | WASHER, SPRING | 1 | |
| 26 | 92995-06600-00 | WASHER | 1 | |

Part Notes

LF250TXR 0409 / OIL PAN

| PART NUMBER | NOTE TEXT |
|---|--|
| 69J-15761-00-00  | OEM: If you are replacing damaged exhaust components on a 3.1L V6 Fourstroke, two kits have been developed to make choosing and ordering the correct parts easier. Ordering either MAR-EXHKT-03-00 (EXH KIT F200-225 for 2002-2003 models) or MAR-EXHKT-04-00 (EXH KIT F200-250 2004 models and up) will get you everything needed to rebuild the entire exhaust system. |
| 90430-14M09-00  | OEM: This part number is among the Top 100 Most Popular Marine Maintenance Parts as of February 2013. |
| 69J-13411-00-00  | OEM: If you are replacing damaged exhaust components on a 3.1L V6 Fourstroke, two kits have been developed to make choosing and ordering the correct parts easier. Ordering either MAR-EXHKT-03-00 (EXH KIT F200-225 for 2002-2003 models) or MAR-EXHKT-04-00 (EXH KIT F200-250 2004 models and up) will get you everything needed to rebuild the entire exhaust system. |
| 92995-06100-00  | OEM: This part number is among the Top 100 Most Popular Marine Maintenance Parts as of February 2013. |



Part List







LF250TXR 0409 / LOWER CASING DRIVE 3

| REF - NO | PART NUMBER | PART NAME | QUANTITY | REMARKS |
|----------------|-----------------|------------------------------|----------|-------------|
| 1 | 6P3-45300-40-8D | LOWER UNIT ASSY | 1 | X(25.3"),LH |
| 2 | 6P2-45301-10-8D | CASING, LOWER | 1 | |
| 3 | 93311-83280-00 | BEARING | 1 | |
| 4 | 61B-45538-01-00 | SPACER 1 | 1 | |
| 5 | 93315-660W3-00 | BEARING | 1 | |
| 6 | 93341-670V0-00 | BEARING | 1 | |
| 7 | 61A-45567-00-00 | SHIM (T:0.10MM) | 1 | UR |
| 7 | 61A-45567-10-00 | SHIM (T:0.12MM) | 1 | UR |
| 7 | 61A-45567-20-00 | SHIM (T:0.15MM) | 1 | UR |
| 7 | 61A-45567-60-00 | SHIM (T:0.50MM) | 1 | UR |
| 7 | 61A-45567-40-00 | SHIM (T:0.30MM) | 1 | UR |
| 7 | 61A-45567-50-00 | SHIM (T:0.40MM) | 1 | UR |
| 7 | 61A-45567-30-00 | SHIM (T:0.18MM) | 1 | UR |
| 8 | 663-44366-00-00 | DAMPER, WATER SEAL 2 | 1 | |
| 9 | 90340-08002-00 | PLUG, STRAIGHT SCREW | 1 | |
| 10 | 688-45341-10-00 | PLUG, DRAIN | 1 | |
| 11 | 90430-08020-00 | .GASKET | 2 | |
| 12 | 61A-45376-00-94 | GUIDE, SEAL DAMPER | 1 | |
| 13 | 65N-45321-00-00 | PLATE | 1 | |
| 14 | 93210-33M49-00 | .O-RING | 1 | |
| 15 | 93106-09014-00 | .OIL SEAL | 1 | |
| 16 | 6P3-44150-00-00 | SHIFT CAM ASSY | 1 | |
| 17 | 99001-08600-00 | CIRCLIP | 1 | |
| 18 | 90501-11M10-00 | SPRING, COMPRESSION | 1 | |
| 19 | 61A-44311-01-00 | HOUSING, WATER PUMP | 1 | |
| 20 | 61A-44322-02-00 | .INSERT, CARTRIDGE | 1 | |
| 21 | 93210-86M38-00 | .O-RING | 1 | |
| 22 | 93210-37160-00 | .O-RING | 1 | |
| 23 | 6E5-44365-00-00 | DAMPER, WATER SEAL 1 | 1 | |
| 24 | 6E5-44312-00-00 | COVER, WATER PUMP HOUSING | 1 | |
| 25 | 6E5-44352-01-00 | .IMPELLER | 1 | |
| 26 | 90280-04M05-00 | .KEY, WOODRUFF | 1 | |
| 27 | 97095-08030-00 | BOLT | 2 | |
| 28 | 92995-08600-00 | WASHER | 2 | |
| 29 | 97095-06016-00 | BOLT | 1 | |
| 30 | 92995-06600-00 | WASHER | 1 | |
| 31 | 60X-44312-00-00 | COVER, WATER PUMP HOUSING | 1 | |
| 32 | 6P2-44323-00-00 | .OUTER PLATE, CARTRIDGE | 1 | |
| 33 | 60X-44315-A0-00 | .GASKET, WATER PUMP | 1 | |
| 34 | 93606-12019-00 | PIN, DOWEL | 2 | |
| 35 | 90119-08M14-00 | .BOLT, WITH WASHER | 4 | |
| 36 | 6P2-45723-00-00 | PLATE, SEAL | 1 | |
| 37 | 6P2-45331-00-9S | HOUSING, BEARING | 1 | |
| 38 | 93101-28M16-00 | .OIL SEAL | 2 | |
| 39 | 93317-330U2-00 | BEARING | 1 | |
| 40 | 61A-45587-00-00 | SHIM (T:0.10MM) | 1 | UR |
| 40 | 61A-45587-10-00 | SHIM (T:0.12MM) | 1 | UR |
| 40 | 61A-45587-20-00 | SHIM (T:0.15MM) | 1 | UR |
| 40 | 61A-45587-60-00 | SHIM (T:0.50MM) | 1 | UR |
| 40 | 61A-45587-40-00 | SHIM (T:0.30MM) | 1 | UR |
| 40 | 61A-45587-50-00 | SHIM (T:0.40MM) | 1 | UR |
| 40 | 61A-45587-30-00 | SHIM (T:0.18MM) | 1 | UR |
| 41 | 93341-930U9-00 | BEARING | 1 | |
| 42 | 93341-34019-00 | BEARING | 1 | |
| 43 | 90201-42014-00 | WASHER, PLATE | 1 | |
| 44 | 93210-55M14-00 | .O-RING | 1 | |
| 45 | 90501-450A2-00 | SPRING, COMPRESSION | 1 | |
| 46 | 6E5-45344-00-00 | COVER, OIL SEAL | 1 | |
| 47 | 97095-08025-00 | BOLT | 4 | |
| 48 | 92995-08600-00 | WASHER | 4 | |
| 49 | 6P2-45501-00-00 | DRIVE SHAFT COMP. | 1 | X(25.3") |
| 50 | 6P2-45551-01-00 | PINION (15T) | 1 | |
| 51 | 90201-16M00-00 | WASHER, PLATE | 1 | |
| 52 | 90170-16M19-00 | NUT | 1 | |

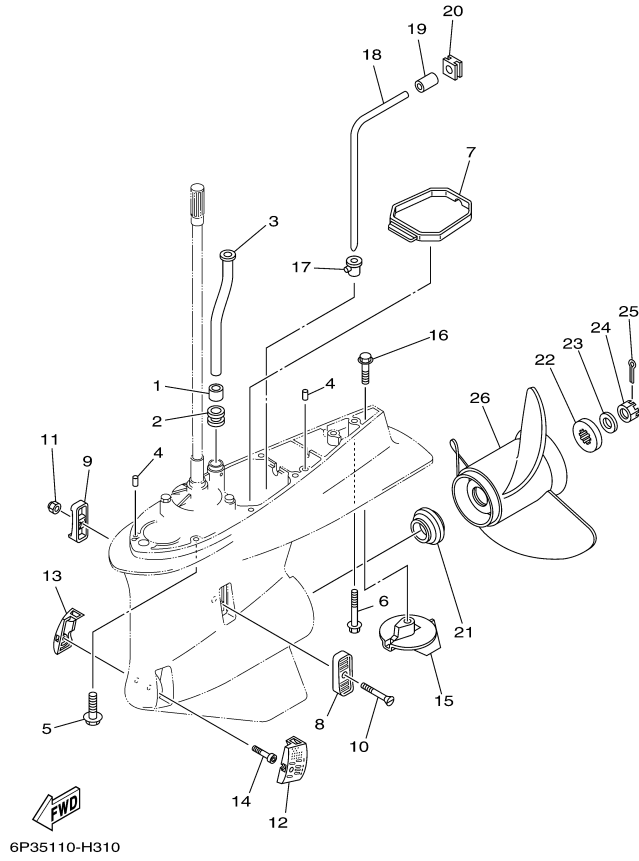
| | | | | |
|----|-----------------|---------------------|---|----|
| 53 | 6P3-45560-00-00 | GEAR 1 (30T) | 1 | |
| 54 | 69K-45611-00-00 | SHAFT, PROPELLER | 1 | |
| 55 | 61B-45641-01-00 | SHIFTER | 1 | |
| 56 | 61A-45634-01-00 | SLIDE, SHIFT | 1 | |
| 57 | 61A-45632-00-00 | PIN, CROSS | 1 | |
| 58 | 69J-45631-00-00 | CLUTCH, DOG | 1 | |
| 59 | 61A-45633-00-00 | RING, CROSS PIN | 1 | |
| 60 | 6H1-45668-00-00 | SHAFT, FREE 1 | 1 | |
| 61 | 61A-45635-00-00 | PLUNGER, SHIFT | 2 | |
| 62 | 90201-02M00-00 | WASHER, PLATE | 1 | |
| 63 | 90183-02M03-00 | NUT, SPRING | 2 | |
| 64 | 90501-10M77-00 | SPRING, COMPRESSION | 1 | |
| 65 | 93501-04011-00 | BALL | 2 | |
| 66 | 6D1-45332-00-CA | HOUSING, BEARING | 1 | |
| 67 | 99590-10114-00 | PIN, DOWEL | 1 | |
| 68 | 93332-00048-00 | BEARING | 1 | |
| 69 | 6P3-45571-00-00 | GEAR 2 (30T) | 1 | |
| 70 | 93341-440U5-00 | BEARING | 1 | |
| 71 | 6K1-45578-01-00 | SHIM (T:0.10MM) | 1 | UR |
| 71 | 6K1-45578-10-00 | SHIM (T:0.12MM) | 1 | UR |
| 71 | 6K1-45578-20-00 | SHIM (T:0.15MM) | 1 | UR |
| 71 | 6K1-45578-60-00 | SHIM (T:0.50MM) | 1 | UR |
| 71 | 6K1-45578-40-00 | SHIM (T:0.30MM) | 1 | UR |
| 71 | 6K1-45578-50-00 | SHIM (T:0.40MM) | 1 | UR |
| 71 | 6K1-45578-30-00 | SHIM (T:0.18MM) | 1 | UR |
| 72 | 61B-45383-00-00 | WASHER, CLAW | 1 | |
| 73 | 69K-45384-00-00 | NUT | 1 | |
| 74 | 69K-45577-00-00 | SHIM (T:0.10MM) | 1 | UR |
| 74 | 69K-45577-10-00 | SHIM (T:0.12MM) | 1 | UR |
| 74 | 69K-45577-20-00 | SHIM (T:0.15MM) | 1 | UR |
| 74 | 69K-45577-60-00 | SHIM (T:0.50MM) | 1 | UR |
| 74 | 69K-45577-40-00 | SHIM (T:0.30MM) | 1 | UR |
| 74 | 69K-45577-50-00 | SHIM (T:0.40MM) | 1 | UR |
| 74 | 69K-45577-30-00 | SHIM (T:0.18MM) | 1 | UR |
| 75 | 93315-43064-00 | BEARING | 1 | |
| 76 | 93101-30002-00 | .OIL SEAL | 2 | |
| 77 | 93211-04384-00 | .O-RING | 2 | |
| 78 | 90105-08049-00 | BOLT, FLANGE | 2 | |
| 79 | 90201-08023-00 | WASHER, PLATE | 2 | |
| 80 | 93700-09M00-00 | NIPPLE, GREASE | 1 | |
| 81 | 6D0-45361-00-8D | CAP, LOWER CASING | 1 | |
| 82 | 97095-08020-00 | BOLT | 2 | |
| 83 | 92995-08600-00 | WASHER | 2 | |

Part Notes

LF250TXR 0409 / LOWER CASING DRIVE 3

| PART NUMBER | | NOTE TEXT |
|-----------------|---|---|
| 90430-08020-00 |  | OEM: This part number is among the Top 100 Most Popular Marine Maintenance Parts as of February 2013. |
| 93106-09014-00 |  | OEM: This part number is among the Top 100 Most Popular Marine Maintenance Parts as of February 2013. |
| 61A-44311-01-00 |  | OEM: This part number is among the Top 100 Most Popular Marine Maintenance Parts as of February 2013. |
| 93210-86M38-00 |  | OEM: This part number is among the Top 100 Most Popular Marine Maintenance Parts as of February 2013. |
| 6E5-44352-01-00 |  | OEM: This part number is among the Top 100 Most Popular Marine Maintenance Parts as of February 2013. |
| 93101-28M16-00 |  | OEM: This part number is among the Top 100 Most Popular Marine Maintenance Parts as of February 2013. |

COUNTER ROTATION



6P35110-H310




Part List

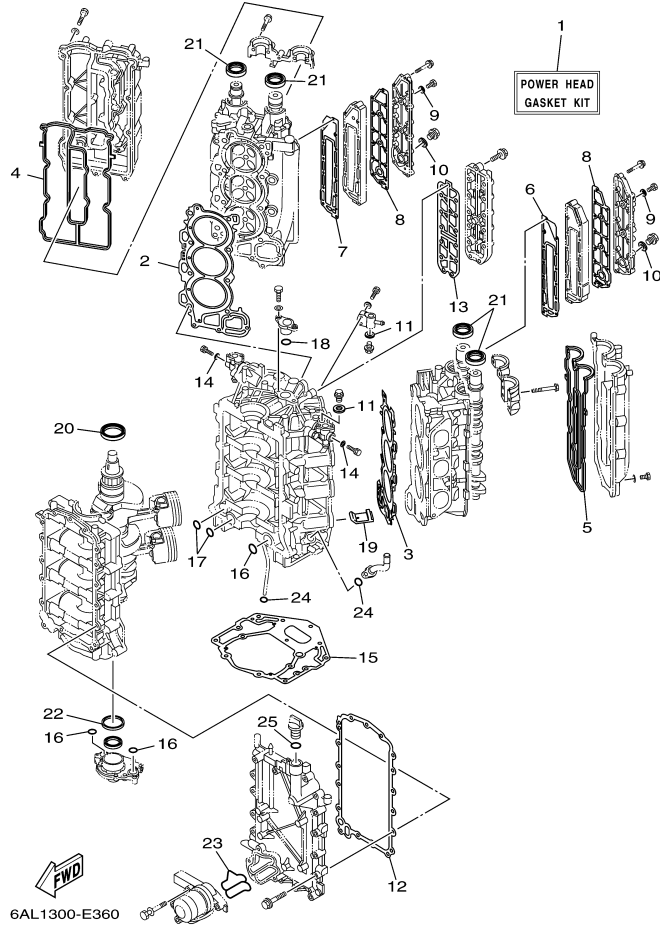
LF250TXR 0409 / LOWER CASING DRIVE 4

| REF - NO | PART NUMBER | PART NAME | QUANTITY | REMARKS |
|----------|-----------------|-------------------------------|----------|----------|
| 1 | 6E5-44365-00-00 | DAMPER, WATER SEAL 1 | 1 | |
| 2 | 6E5-44366-00-00 | DAMPER, WATER SEAL 2 | 1 | |
| 3 | 69J-44361-00-00 | TUBE, WATER | 1 | X(25.3") |
| 4 | 93608-12M05-00 | PIN, DOWEL | 2 | |
| 5 | 90119-10038-00 | BOLT, WITH WASHER | 7 | |
| 6 | 90119-10MA2-00 | BOLT, WITH WASHER | 1 | X(25.3") |
| 7 | 6D0-45375-00-00 | DAMPER, SEAL | 1 | |
| 8 | 6P2-45214-00-00 | COVER, WATER INLET 1 | 1 | |
| 9 | 6P2-45215-00-00 | COVER, WATER INLET 2 | 1 | |
| 10 | 90152-05M08-00 | SCREW, COUNTERSUNK | 1 | |
| 11 | 90185-05002-00 | NUT, NYLON | 1 | |
| 12 | 6P2-45224-00-00 | COVER, WATER INLET 3 | 1 | |
| 13 | 6P2-45225-00-00 | COVER, WATER INLET 4 | 1 | |
| 14 | 90110-05039-00 | BOLT, HEXAGON SOCKET HEAD | 1 | |
| 15 | 61A-45371-00-00 | TAB, TRIM | 1 | |
| 16 | 90105-10M00-00 | BOLT, FLANGE | 1 | |
| 17 | 6D0-44367-00-00 | DAMPER, WATER SEAL 3 | 1 | |
| 18 | 6D0-44362-01-00 | TUBE, WATER 2 | 1 | |
| 19 | 6D0-44365-00-00 | DAMPER, WATER SEAL 1 | 1 | |
| 20 | 6D0-44366-00-00 | DAMPER, WATER SEAL 2 | 1 | |
| 21 | 69J-45987-00-00 | SPACER 1 | 1 | |
| 22 | 688-45997-01-00 | SPACER 2 | 1 | |
| 23 | 92990-18200-00 | WASHER | 1 | |
| 24 | 90171-18M04-00 | NUT, CASTLE | 1 | |
| 25 | 91490-40030-00 | PIN. COTTER | 1 | |
| 26 | 6K1-45972-01-98 | PROPELLER (3X13-3/4"X21"-ML) | 1 | UR |
| 26 | 6BS-45B74-00-00 | PROPELLER (4X15"X23"-TL) | 1 | UR |
| 26 | 61B-45974-00-98 | PROPELLER (3X14-1/2"X19"-TL) | 1 | UR |
| 26 | 61B-45978-00-98 | PROPELLER (3X15"X17"-TL) | 1 | UR |
| 26 | 61B-45972-00-98 | PROPELLER (3X14-1/2"X21"-TL) | 1 | UR |
| 26 | 6K1-45974-02-98 | PROPELLER (3X13-3/4"X19"-ML1) | 1 | UR |
| 26 | 6K1-45978-02-98 | PROPELLER (3X13-3/4"X17"-ML1) | 1 | UR |
| 26 | 6R1-45976-A0-00 | PROPELLER (3X15-1/4"X15"-ML) | 1 | UR |
| 26 | 6R1-45978-A0-00 | PROPELLER (3X15-1/4"X17"-ML) | 1 | UR |
| 26 | 6R1-45972-A0-00 | PROPELLER (3X14-7/8"X21"-ML) | 1 | UR |
| 26 | 6R1-45974-A0-00 | PROPELLER (3X14-1/2"X23"-ML) | 1 | UR |
| 26 | 6R1-45970-A1-00 | PROPELLER (3X15-1/4"X19"-ML) | 1 | UR |
| 26 | 6D1-45970-00-00 | PROPELLER (3X15-1/4"X19"-TL) | 1 | UR |
| 26 | 6D1-45972-00-00 | PROPELLER (3X15"X21"-TL) | 1 | UR |
| 26 | 6D1-45978-00-00 | PROPELLER (3X15-1/2"X17"-TL) | 1 | UR |
| 26 | 6BS-45B70-00-00 | PROPELLER (4X15"X21"-TL) | 1 | UR |
| 26 | 6BS-45B72-00-00 | PROPELLER (4X15"X22"-TL) | 1 | UR |
| 26 | 6K1-45970-01-98 | PROPELLER (3X15-1/4"X15"-ML) | 1 | UR |

Part Notes

LF250TXR 0409 / LOWER CASING DRIVE 4

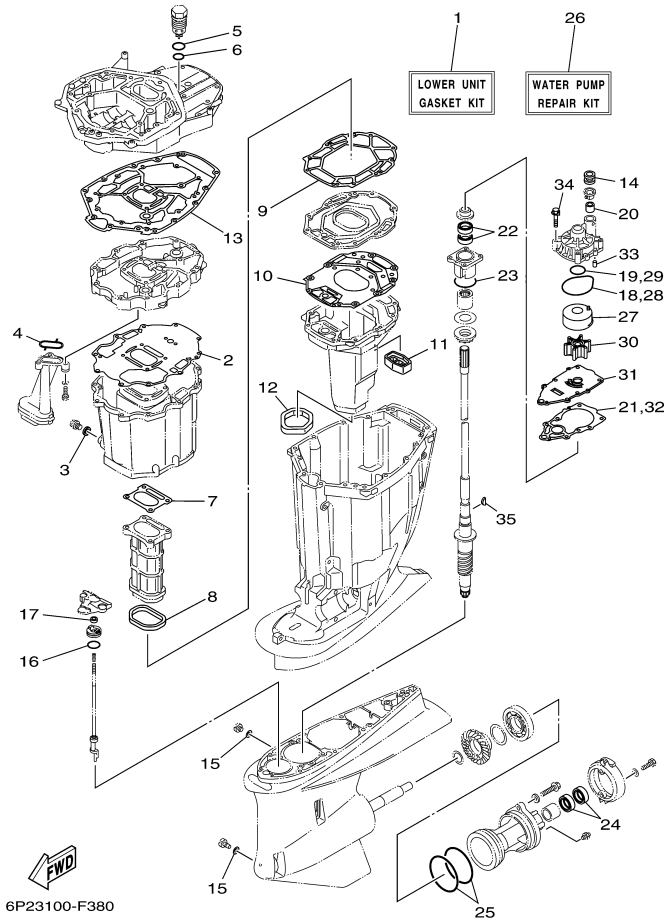
| PART NUMBER | NOTE TEXT |
|---|---|
| 61A-45371-00-00  | OEM: This part number is among the Top 100 Most Popular Marine Maintenance Parts as of February 2013. |
| 90105-10M00-00  | OEM: This part number is among the Top 100 Most Popular Marine Maintenance Parts as of February 2013. |
| 91490-40030-00  | OEM: This part number is among the Top 100 Most Popular Marine Maintenance Parts as of February 2013. |



Part List

LF250TXR 0409 / REPAIR KIT 1

| REF - NO | PART NUMBER | PART NAME | QUANTITY | REMARKS |
|----------------|-----------------|---------------------------------|----------|---------|
| 1 | 6P2-W0001-01-00 | POWER HEAD GASKET KIT | 1 | |
| 2 | 6P2-11181-00-00 | .GASKET, CYLINDER HEAD 1 | 1 | |
| 3 | 6P2-11182-00-00 | .GASKET, CYLINDER HEAD 2 | 1 | |
| 4 | 6P2-11193-00-00 | .GASKET, HEAD COVER 1 | 1 | |
| 5 | 6P2-11194-00-00 | .GASKET, HEAD COVER 2 | 1 | |
| 6 | 6P2-41112-00-00 | .GASKET, EXHAUST INNER COVER | 1 | |
| 7 | 6P2-41122-00-00 | .GASKET, EXHAUST INNER COVER | 1 | |
| 8 | 6P2-41114-00-00 | .GASKET, EXHAUST OUTER COVER | 2 | |
| 9 | 90430-08143-00 | .GASKET | 4 | |
| 10 | 90430-18130-00 | .GASKET | 2 | |
| 11 | 90430-14115-00 | .GASKET | 2 | |
| 12 | 69J-15451-00-00 | .GASKET, CRANKCASE COVER 1 | 1 | |
| 13 | 6P2-1131B-00-00 | .GASKET, COVER | 1 | |
| 14 | 90430-05002-00 | .GASKET | 2 | |
| 15 | 69J-11351-11-00 | .GASKET, CYLINDER | 1 | |
| 16 | 93210-25552-00 | .O-RING | 3 | |
| 17 | 93210-19MJ1-00 | .O-RING | 2 | |
| 18 | 93210-25647-00 | .O-RING | 1 | |
| 19 | 69J-14664-00-00 | .GROMMET, WATER SHUT | 2 | |
| 20 | 93102-63004-00 | .OIL SEAL | 1 | |
| 21 | 93102-38008-00 | .OIL SEAL | 4 | |
| 22 | 69J-11355-00-00 | .SEAL, CYLINDER 1 | 1 | |
| 23 | 6P2-13477-00-00 | .GASKET | 1 | |
| 24 | 93210-19MJ3-00 | .O-RING | 2 | |
| 25 | 93210-24M79-00 | .O-RING | 1 | |














Part List




LF250TXR 0409 / REPAIR KIT 2

| REF - NO | PART NUMBER | PART NAME | QUANTITY | REMARKS |
|----------|-----------------|-----------------------------|----------|---------|
| 1 | 6P2-W0001-30-00 | LOWER UNIT GASKET KIT | 1 | |
| 2 | 69J-15312-01-00 | .GASKET, OIL PAN | 1 | |
| 3 | 90430-14M09-00 | .GASKET | 1 | |
| 4 | 69J-13415-00-00 | .SEAL, OIL STRAINER | 1 | |
| 5 | 93210-33MG4-00 | .O-RING | 1 | |
| 6 | 93210-28543-00 | .O-RING | 1 | |
| 7 | 6P2-41134-00-00 | .GASKET, EXHAUST MANIFOLD | 1 | |
| 8 | 69J-41138-00-00 | .SEAL, EXT 1 | 1 | |
| 9 | 69J-41135-A0-00 | .GASKET, EXHAUST MANIFOLD | 1 | |
| 10 | 6S1-41136-00-00 | .GASKET, EXHAUST MANIFOLD 4 | 1 | |
| 11 | 69J-45127-00-00 | .SEAL | 1 | |
| 12 | 69J-45123-00-00 | .GASKET, MUFFLER | 1 | |
| 13 | 69J-45113-20-00 | .GASKET, UPPER CASING | 1 | |
| 14 | 6E5-44366-00-00 | .DAMPER, WATER SEAL 2 | 1 | |
| 15 | 90430-08020-00 | .GASKET | 2 | |
| 16 | 93210-33M49-00 | .O-RING | 1 | |
| 17 | 93106-09014-00 | .OIL SEAL | 1 | |
| 18 | 93210-86M38-00 | .O-RING | 1 | |
| 19 | 93210-37160-00 | .O-RING | 1 | |
| 20 | 6E5-44365-00-00 | .DAMPER, WATER SEAL 1 | 1 | |
| 21 | 60X-44315-A0-00 | .GASKET, WATER PUMP | 1 | |
| 22 | 93101-28M16-00 | .OIL SEAL | 2 | |
| 23 | 93210-55M14-00 | .O-RING | 1 | |
| 24 | 93101-30002-00 | .OIL SEAL | 2 | |
| 25 | 93211-04384-00 | .O-RING | 2 | |
| 26 | 6P2-W0078-00-00 | WATER PUMP REPAIR KIT | 1 | |
| 27 | 61A-44322-02-00 | .INSERT, CARTRIDGE | 1 | |
| 28 | 93210-86M38-00 | .O-RING | 1 | |
| 29 | 93210-37160-00 | .O-RING | 1 | |
| 30 | 6E5-44352-01-00 | .IMPELLER | 1 | |
| 31 | 6P2-44323-00-00 | .OUTER PLATE, CARTRIDGE | 1 | |
| 32 | 60X-44315-A0-00 | .GASKET, WATER PUMP | 1 | |
| 33 | 93606-12019-00 | .PIN, DOWEL | 2 | |
| 34 | 90119-08M14-00 | .BOLT, WITH WASHER | 4 | |
| 35 | 90280-04M05-00 | .KEY, WOODRUFF | 1 | |

Part Notes

LF250TXR 0409 / REPAIR KIT 2

| PART NUMBER | NOTE TEXT |
|-----------------|--|
| 69J-15312-01-00 |  OEM: If you are replacing damaged exhaust components on a 3.1L V6 Fourstroke, two kits have been developed to make choosing and ordering the correct parts easier. Ordering either MAR-EXHKT-03-00 (EXH KIT F200-225 for 2002-2003 models) or MAR-EXHKT-04-00 (EXH KIT F200-250 2004 models and up) will get you everything needed to rebuild the entire exhaust system. |
| 90430-14M09-00 |  OEM: This part number is among the Top 100 Most Popular Marine Maintenance Parts as of February 2013. |
| 6P2-41134-00-00 |  OEM: If you are replacing damaged exhaust components on a 3.1L V6 Fourstroke, two kits have been developed to make choosing and ordering the correct parts easier. Ordering either MAR-EXHKT-03-00 (EXH KIT F200-225 for 2002-2003 models) or MAR-EXHKT-04-00 (EXH KIT F200-250 2004 models and up) will get you everything needed to rebuild the entire exhaust system. |
| 69J-41138-00-00 |  OEM: If you are replacing damaged exhaust components on a 3.1L V6 Fourstroke, two kits have been developed to make choosing and ordering the correct parts easier. Ordering either MAR-EXHKT-03-00 (EXH KIT F200-225 for 2002-2003 models) or MAR-EXHKT-04-00 (EXH KIT F200-250 2004 models and up) will get you everything needed to rebuild the entire exhaust system. |
| 69J-41135-A0-00 |  OEM: If you are replacing damaged exhaust components on a 3.1L V6 Fourstroke, two kits have been developed to make choosing and ordering the correct parts easier. Ordering either MAR-EXHKT-03-00 (EXH KIT F200-225 for 2002-2003 models) or MAR-EXHKT-04-00 (EXH KIT F200-250 2004 models and up) will get you everything needed to rebuild the entire exhaust system. |
| 6S1-41136-00-00 |  OEM: If you are replacing damaged exhaust components on a 3.1L V6 Fourstroke, two kits have been developed to make choosing and ordering the correct parts easier. Ordering either MAR-EXHKT-03-00 (EXH KIT F200-225 for 2002-2003 models) or MAR-EXHKT-04-00 (EXH KIT F200-250 2004 models and up) will get you everything needed to rebuild the entire exhaust system. |
| 69J-45127-00-00 |  OEM: If you are replacing damaged exhaust components on a 3.1L V6 Fourstroke, two kits have been developed to make choosing and ordering the correct parts easier. Ordering either MAR-EXHKT-03-00 (EXH KIT F200-225 for 2002-2003 models) or MAR-EXHKT-04-00 (EXH KIT F200-250 2004 models and up) will get you everything needed to rebuild the entire exhaust system. |
| 69J-45123-00-00 |  OEM: If you are replacing damaged exhaust components on a 3.1L V6 Fourstroke, two kits have been developed to make choosing and ordering the correct parts easier. Ordering either MAR-EXHKT-03-00 (EXH KIT F200-225 for 2002-2003 models) or MAR-EXHKT-04-00 (EXH KIT F200-250 2004 models and up) will get you everything needed to rebuild the entire exhaust system. |
| 90430-08020-00 |  OEM: This part number is among the Top 100 Most Popular Marine Maintenance Parts as of February 2013. |
| 93106-09014-00 |  OEM: This part number is among the Top 100 Most Popular Marine Maintenance Parts as of February 2013. |
| 93210- |  OEM: This part number is among the Top 100 Most Popular Marine Maintenance Parts as of February 2013. |

| | | |
|-----------------|---|---|
| 86M38-00 |  | |
| 93101-28M16-00 |  | OEM: This part number is among the Top 100 Most Popular Marine Maintenance Parts as of February 2013. |
| 93210-86M38-00 |  | OEM: This part number is among the Top 100 Most Popular Marine Maintenance Parts as of February 2013. |
| 6E5-44352-01-00 |  | OEM: This part number is among the Top 100 Most Popular Marine Maintenance Parts as of February 2013. |