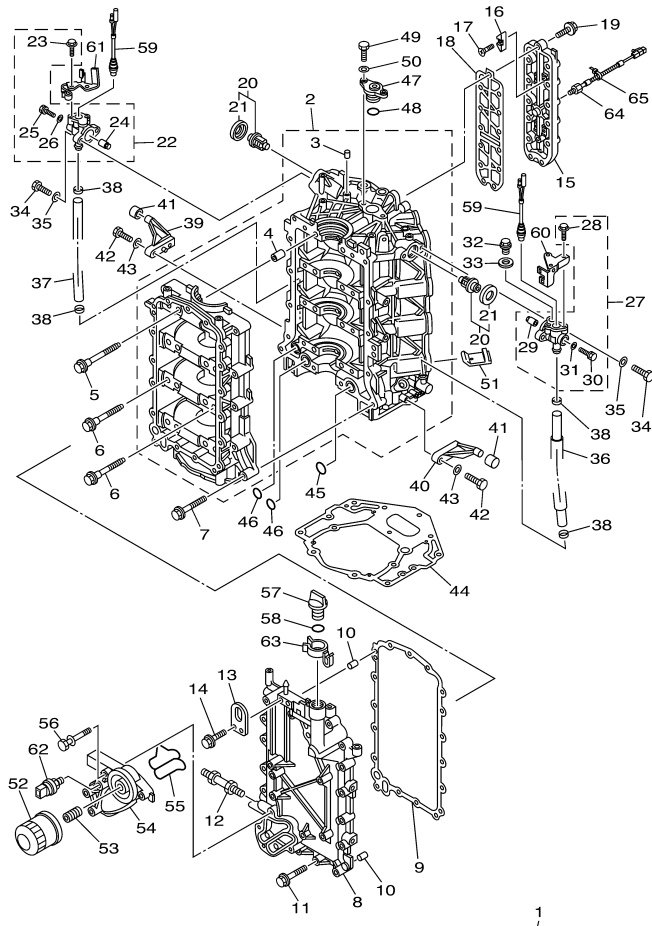


6P21110-D010

## Part List

LF250TURD 2005 / TOP COWLING

REF - NO	PART NUMBER	PART NAME	QUANTITY	REMARKS
1	6P2-42610-00-8D	TOP COWLING ASSY	1	
2	6P2-42613-00-00	.MOLDING, AIR DUCT	1	
3	6P2-42629-00-00	.SEAL	1	
4	90179-06M28-00	.NUT	9	
5	68F-42647-01-94	.HOLDER, CLAMP BAND	1	
6	69J-42647-00-94	.HOLDER, CLAMP BAND	1	
7	69J-42663-00-00	.DAMPER	1	
8	92990-06100-00	.WASHER, SPRING	6	
9	95380-06600-00	.NUT, HEXAGON	6	
10	60V-42651-01-00	.HOOK	2	
11	97095-06016-00	.BOLT	6	
12	92995-06600-00	.WASHER	6	
13	68F-42663-00-00	.DAMPER	2	
14	68F-42648-01-94	.HOLDER, CLAMP BAND	1	
15	60V-42652-00-00	.HOOK	1	
16	67F-13448-00-00	.CAP	3	
17	6P2-42678-00-00	.GRAPHIC, REAR	1	
18	69J-W0070-00-00	.GRAPHIC SET	1	
19	6P2-42677-00-00	.GRAPHIC, FRONT	1	
20	69J-42681-00-00	.MARK, COWLING	1	
21	69J-42682-00-00	.MARK, COWLING	1	
22	69J-24378-00-00	.PIPE, JOINT 3	1	
23	90445-11M27-00	.HOSE (L240)	1	
24	90445-11699-00	.HOSE (L500)	1	
25	90445-11182-00	.HOSE (L300)	1	
26	67F-13434-02-00	LABEL, CAUTION	1	



6P21110-D020  
Rev. 6-15-2012

**CYLINDER BLOCK ASSY**  
 CYLINDER CRANKCASE 1, Ref. No. 2 to 51, 53 to 58, 62  
 CRANKSHAFT PISTON, Ref. No. 1 to 13  
 CYLINDER CRANKCASE 2, Ref. No. 22, 27, 38, 44  
 INTAKE 1, Ref. No. 25  
 OIL PAN, Ref. No. 14 to 21

## Part List


LF250TURD 2005 / CYLINDER CRANKCASE 1

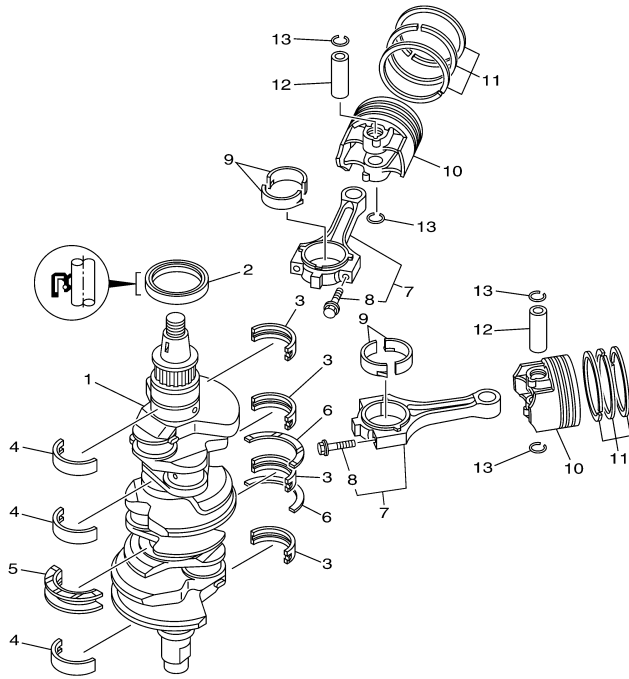
REF - NO	PART NUMBER	PART NAME	QUANTITY	REMARKS
1	6P2-W009B-00-1S	CYLINDER BLOCK ASSY	1	
2	6P2-15100-00-1S	CRANKCASE ASSY	1	
3	93606-12019-00	.PIN, DOWEL	1	
4	91814-18001-00	.PIN, DOWEL	8	
5	69J-15187-00-00	BOLT	8	
6	69J-15481-00-00	BOLT 1	8	
7	90119-08M66-00	BOLT, WITH WASHER	13	
8	6P2-15411-00-94	COVER, CRANKCASE 1	1	
9	69J-15451-00-00	.GASKET, CRANKCASE COVER 1	1	
10	93606-12019-00	PIN, DOWEL	2	
11	90119-08009-00	BOLT, WITH WASHER	17	
12	90116-10027-00	BOLT, STUD	1	
13	69J-11119-00-00	HANGER, ENGINE	1	
14	90119-06MA2-00	BOLT, WITH WASHER	2	
15	6P2-1131C-00-94	COVER, JOINT	1	
16	6E5-11325-00-00	ANODE	4	
17	98780-04015-00	SCREW, FLAT HEAD	4	
18	6P2-1131B-00-00	.GASKET, COVER	1	
19	90119-06MA4-00	BOLT, WITH WASHER	13	
20	67F-12411-01-00	THERMOSTAT	2	
21	67F-12412-00-00	.SEAL, THERMOSTAT	1	
22	6P2-1240H-00-1S	ANODE ASSY	1	
23	90109-06M80-00	.BOLT	2	
24	6P3-11325-00-00	..ANODE	1	
25	90105-05012-00	..BOLT, FLANGE	1	
26	90430-05002-00	..GASKET	1	
27	6P3-1240H-00-1S	ANODE ASSY	1	
28	90109-06M80-00	.BOLT	2	
29	6P3-11325-00-00	..ANODE	1	
30	90105-05012-00	..BOLT, FLANGE	1	
31	90430-05002-00	..GASKET	1	
32	90340-14M06-00	PLUG, STRAIGHT SCREW	1	
33	90430-14115-00	.GASKET	1	
34	97095-06025-00	BOLT	4	
35	92995-06600-00	WASHER	4	
36	69J-1243A-00-00	HOSE 1	1	
37	69J-1243E-00-00	HOSE 2	1	
38	90465-11M10-00	CLAMP	4	
39	67F-42761-00-94	STOPPER	1	
40	6P2-42761-00-94	STOPPER	1	
41	68F-44533-00-00	DAMPER, UPPER MOUNT RUBBER	2	
42	97095-06025-00	BOLT	4	
43	92995-06600-00	WASHER	4	
44	69J-11351-11-00	.GASKET, CYLINDER	1	
45	93210-25552-00	.O-RING	1	
46	93210-19MJ1-00	.O-RING	2	
47	69J-11313-00-94	PLUG, BLIND	1	
48	93210-25647-00	.O-RING	1	
49	97095-06020-00	BOLT	2	
50	6P2-82588-00-00	PLATE	1	
50	92995-06600-00	WASHER	2	
51	69J-14664-00-00	.GROMMET, WATER SHUT	2	
52	69J-13440-00-00	ELEMENT ASSY, OIL CLEANER	1	
53	69J-12858-00-00	BOLT, UNION	1	
54	6P2-13446-00-94	CONNECTOR	1	
55	6P2-13477-00-00	.GASKET	1	
56	90119-06025-00	BOLT, WITH WASHER	5	
57	6G8-15363-00-00	PLUG, OIL	1	
58	93210-24M79-00	.O-RING	1	
59	6P2-82560-00-00	THERMO SWITCH ASSY	2	
61	6P2-82389-00-00	PLATE 2	1	
62	69J-83651-00-00	SENDER, OIL PRESSURE	1	
63	6P2-83597-00-00	CLAMP	1	

64	6P2-85780-00-00	SENSOR, KNOCK	1
65	90465-11M10-00	CLAMP	1

## Part Notes

*LF250TURD 2005 / CYLINDER CRANKCASE 1*

PART NUMBER		NOTE TEXT
67F-12411-01-00		OEM: This part number is among the Top 100 Most Popular Marine Maintenance Parts as of February 2013.



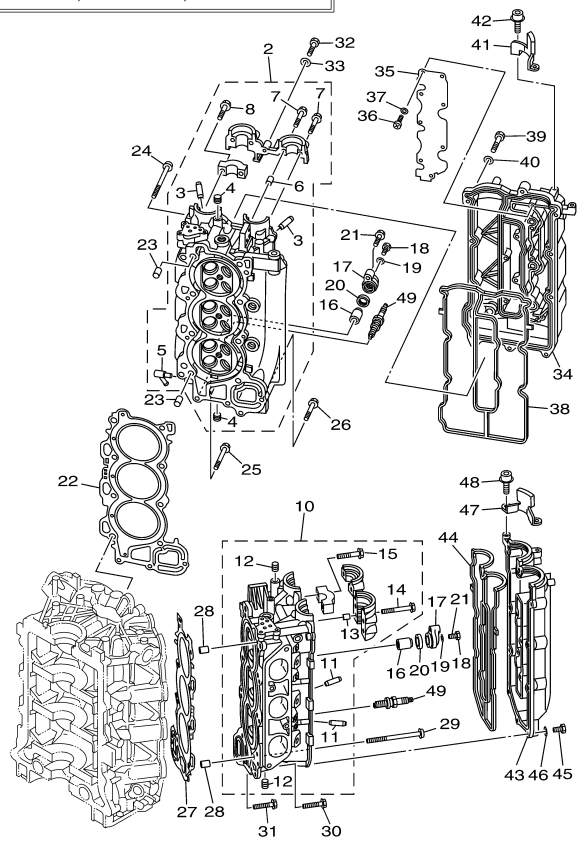
6P21110-D030

## Part List

LF250TURD 2005 / CRANKSHAFT PISTON

REF - NO	PART NUMBER	PART NAME	QUANTITY	REMARKS
1	6P2-11410-00-00	CRANKSHAFT	1	
2	93102-63004-00	.OIL SEAL	1	
3	69J-11416-00-00	PLANE BEARING, CRANKSHAFT 1	4	UR #1
3	69J-11416-20-00	PLANE BEARING, CRANKSHAFT 1	4	UR #3
3	69J-11416-10-00	PLANE BEARING, CRANKSHAFT 1	4	UR #2
4	69J-11417-00-00	PLANE BEARING, CRANKSHAFT 2	3	UR #1
4	69J-11417-20-00	PLANE BEARING, CRANKSHAFT 2	3	UR #3
4	69J-11417-10-00	PLANE BEARING, CRANKSHAFT 2	3	UR #2
5	69J-11426-00-00	PLANE BEARING, CRANKSHAFT 1	1	UR #1
5	69J-11426-20-00	PLANE BEARING, CRANKSHAFT 1	1	UR #3
5	69J-11426-10-00	PLANE BEARING, CRANKSHAFT 1	1	UR #2
6	69J-11427-00-00	BEARING, THRUST 2	2	
7	69J-W1165-00-00	CONNECTING ROD ASSY	6	
8	69J-11654-00-00	.BOLT, CONNECTING ROD	2	
9	69J-11656-00-00	PLANE BEARING, CONNECTING ROD	12	UR YELLOW
9	69J-11656-20-00	PLANE BEARING, CONNECTING ROD	12	UR BLUE
9	69J-11656-10-00	PLANE BEARING, CONNECTING ROD	12	UR GREEN
10	6P2-11631-00-B0	PISTON (STD)	6	
11	63P-11603-00-00	PISTON RING SET (STD)	6	
12	69J-11633-00-00	PIN, PISTON	6	
13	69J-11634-00-00	CLIP, PISTON PIN	12	

**CYLINDER HEAD ASSY**  
 CYLINDER CRANKCASE 1, Ref. No. 43  
 CYLINDER CRANKCASE 2, Ref. No. 2 to 8, 16 to 22, 32 to 40, 49  
 CYLINDER CRANKCASE 3, Ref. No. 1, 3, 5, 7 to 17  
 VALVE, Ref. No. 1 to 10, 20  
 THROTTLE BODY ASSY 3, Ref. No. 1 to 5, 11



**CYLINDER HEAD ASSY 2**  
 CYLINDER CRANKCASE 1, Ref. No. 43  
 CYLINDER CRANKCASE 2, Ref. No. 10 to 21, 27, 43 to 46, 49  
 CYLINDER CRANKCASE 3, Ref. No. 2, 4, 6 to 17  
 VALVE, Ref. No. 1 to 8, 11, 12, 20  
 THROTTLE BODY ASSY 3, Ref. No. 6 to 11

**FWD**  
 6P21110-D040





## Part List

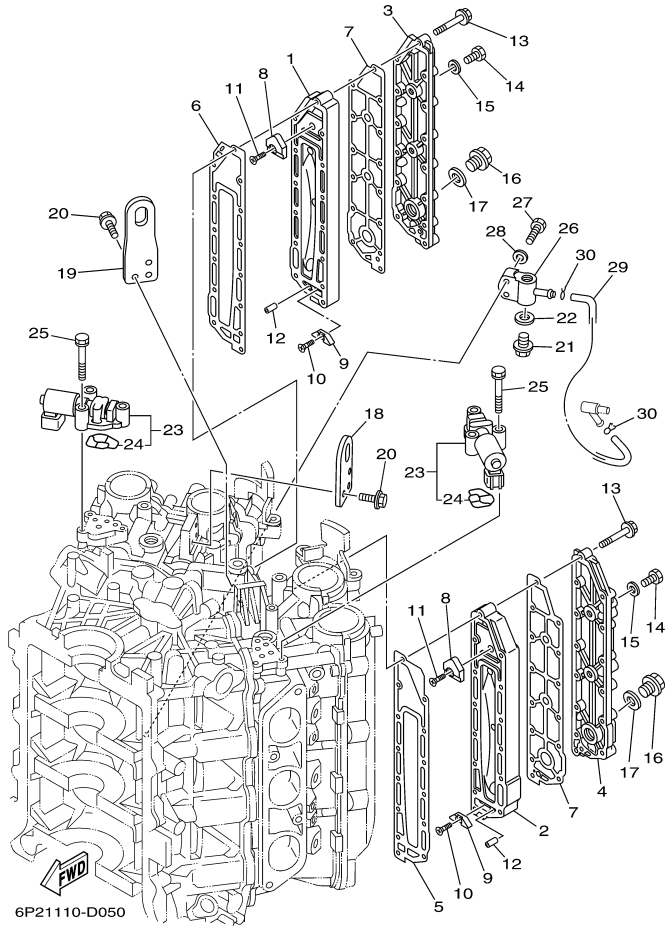
LF250TURD 2005 / CYLINDER CRANKCASE 2

REF - NO	PART NUMBER	PART NAME	QUANTITY	REMARKS
1	6P2-W009A-00-1S	CYLINDER HEAD COMPLETE	1	
2	6P2-11110-00-94	CYLINDER HEAD ASSY	1	
3	69J-11133-10-00	.GUIDE, VALVE 1	12	
4	90344-51019-00	.PLUG, TAPER SCREW	7	
5	676-11372-00-00	.NIPPLE, HOSE	1	
6	91809-08006-00	.PIN, DOWEL	2	
7	90119-07001-00	.BOLT, WITH WASHER	4	
8	90119-07234-00	.BOLT, WITH WASHER	14	
9	6P2-W009C-00-1S	CYLINDER HEAD 2 COMPLETE	1	
10	6P2-11120-00-94	CYLINDER HEAD ASSY 2	1	
11	69J-11133-10-00	.GUIDE, VALVE 1	12	
12	90344-51019-00	.PLUG, TAPER SCREW	3	
13	91809-08006-00	.PIN, DOWEL	4	
14	90119-07235-00	.BOLT/WASHER-CAM CAPS	6	
15	90119-07234-00	.BOLT, WITH WASHER	12	
16	68V-11325-01-00	ANODE	4	
17	69J-11327-00-94	COVER, ANODE	4	
18	97075-06020-00	BOLT	4	
19	92995-06600-00	WASHER	4	
20	67F-11328-00-00	.GROMMET, ANODE	4	
21	97575-08540-00	BOLT, WITH WASHER	4	
22	6P2-11181-00-00	.GASKET, CYLINDER HEAD 1	1	
23	90387-10M08-00	COLLAR	2	
24	90155-10002-00	SCREW, FLAT FILLISTER	8	
25	90119-08M91-00	BOLT, WITH WASHER	2	
26	90119-08021-00	BOLT, WITH WASHER	1	
27	6P2-11182-00-00	.GASKET, CYLINDER HEAD 2	1	
28	90387-10M08-00	COLLAR	2	
29	90155-10002-00	SCREW, FLAT FILLISTER	8	
30	90119-08M91-00	BOLT, WITH WASHER	2	
31	90119-08021-00	BOLT, WITH WASHER	1	
32	97095-06030-00	BOLT	1	
33	92995-06600-00	WASHER	1	
34	6P2-11191-00-1S	COVER, CYLINDER HEAD 1	1	
35	6P2-11135-00-00	PLATE, BREATHER 3	1	
36	98507-04008-00	.SCREW, PAN HEAD	9	
37	92907-04600-00	WASHER	9	
38	6P2-11193-00-00	.GASKET, HEAD COVER 1	1	
39	97095-06030-00	BOLT	14	
40	92995-06600-00	WASHER	14	
41	6P2-15142-00-00	GUIDE 1	1	
42	90110-06150-00	BOLT, HEXAGON SOCKET HEAD	2	
43	6P2-11192-00-1S	COVER, CYLINDER HEAD 2	1	
44	6P2-11194-00-00	.GASKET, HEAD COVER 2	1	
45	97095-06030-00	BOLT	14	
46	92995-06600-00	WASHER	14	
47	6P2-15143-00-00	GUIDE	1	
48	90110-06150-00	BOLT, HEXAGON SOCKET HEAD	2	
49	NGK-LFR6A-11-00	PLUG, SPARK (NGK LFR6A-11)	6	

## Part Notes

LF250TURD 2005 / CYLINDER CRANKCASE 2

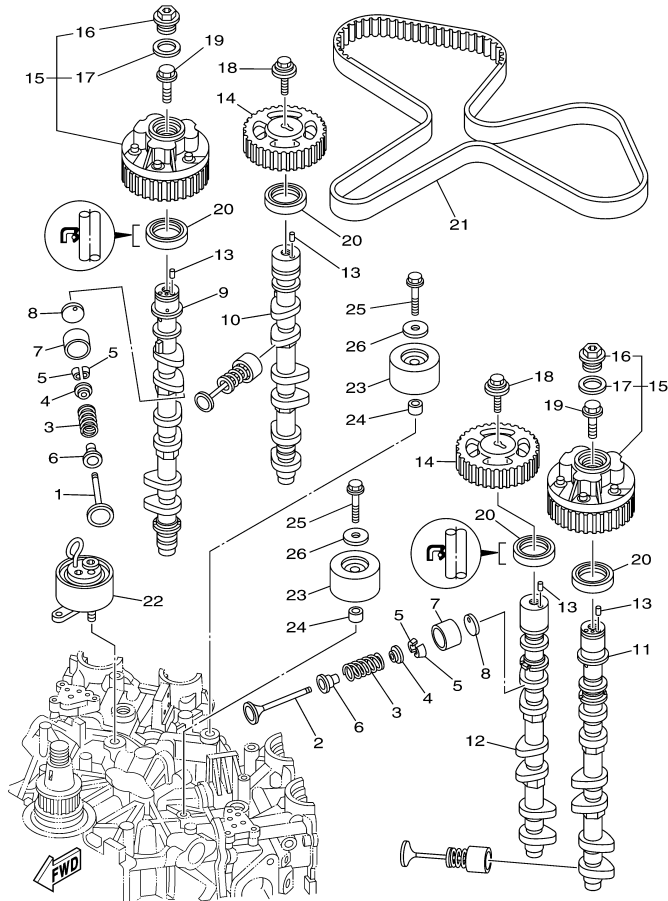
PART NUMBER	NOTE TEXT
68V-11325-01-00 	OEM: This part number is among the Top 100 Most Popular Marine Maintenance Parts as of February 2013.
67F-11328-00-00 	OEM: This part number is among the Top 100 Most Popular Marine Maintenance Parts as of February 2013.



## Part List

LF250TURD 2005 / CYLINDER CRANKCASE 3

REF - NO	PART NUMBER	PART NAME	QUANTITY	REMARKS
1	69J-41111-01-1S	INNER COVER, EXHAUST	1	
2	69J-41121-01-1S	INNER COVER, EXHAUST	1	
3	69J-41113-01-1S	OUTER COVER, EXHAUST	1	
4	69J-41123-01-1S	OUTER COVER, EXHAUST	1	
5	6P2-41112-00-00	.GASKET, EXHAUST INNER COVER	1	
6	6P2-41122-00-00	.GASKET, EXHAUST INNER COVER	1	
7	6P2-41114-00-00	.GASKET, EXHAUST OUTER COVER	2	
8	6P2-11325-00-00	ANODE	2	
9	6E5-11325-00-00	ANODE	2	
10	98780-04015-00	SCREW, FLAT HEAD	2	
11	90151-06M02-00	SCREW, COUNTERSUNK	2	
12	91690-40010-00	PIN, SPRING	2	
13	90119-06027-00	BOLT, WITH WASHER	28	
14	97095-08014-00	BOLT	4	
15	90430-08143-00	.GASKET	4	
16	90340-18M09-00	PLUG, STRAIGHT SCREW	2	
17	90430-18130-00	.GASKET	2	
18	6P2-11119-00-00	HANGER, ENGINE	1	
19	6P2-1111E-00-00	HANGER, ENGINE 2	1	
20	90119-06MA2-00	BOLT, WITH WASHER	6	
21	90340-14M06-00	PLUG, STRAIGHT SCREW	1	
22	90430-14115-00	.GASKET	1	
23	6P2-86120-00-00	SOLENOID VALVE ASSY	2	
24	6P2-12403-00-00	.FILTER	1	
25	90119-06MA6-00	BOLT, WITH WASHER	6	
26	6P2-83652-00-94	CONNECTOR	1	
27	97095-06030-00	BOLT	2	
28	92995-06600-00	WASHER	2	
29	6H4-24311-00-00	PIPE, FUEL 1	1	
30	90467-08M18-00	CLIP	2	



6P21110-D060


## Part List

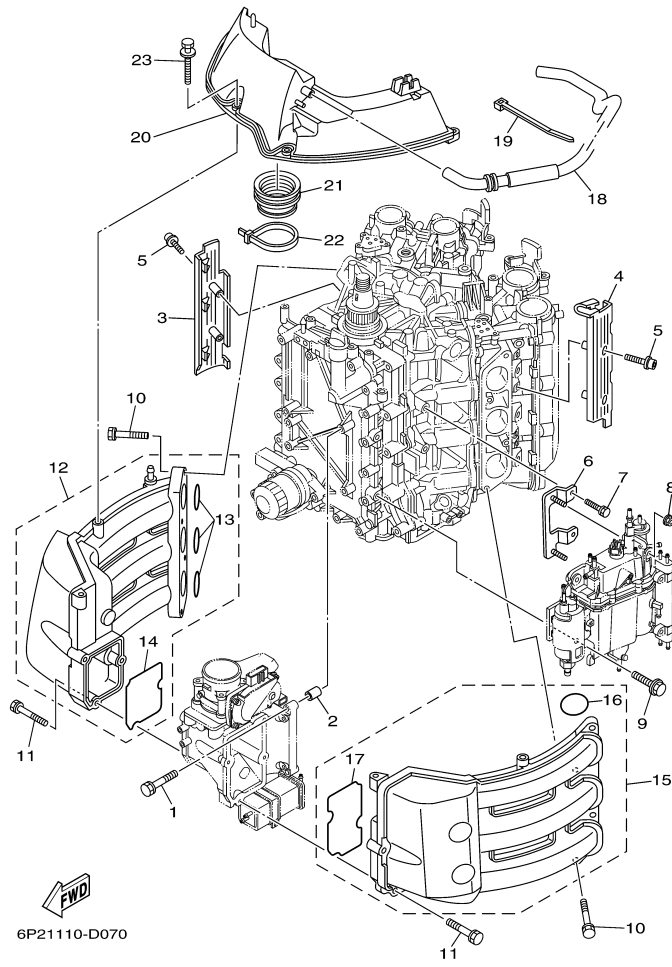
LF250TURD 2005 / VALVE

REF - NO	PART NUMBER	PART NAME	QUANTITY	REMARKS
1	6P2-12111-00-00	VALVE, INTAKE	12	
2	6P2-12121-00-00	VALVE, EXHAUST	12	
3	69J-12113-01-00	SPRING, VALVE INNER	24	
4	69J-12117-01-00	RETAINER, VALVE SPRING	24	
5	69J-12118-00-00	COTTER, VALVE	48	
6	69J-12119-00-00	SEAL, VALVE STEM	24	
7	69J-12153-00-00	LIFTER, VALVE	24	
8	69J-12168-00-00	PAD, ADJUSTING (2.320)	24	UR
8	69J-12169-00-00	PAD, ADJUSTING (2.960)	24	UR
8	69J-12168-20-00	PAD, ADJUSTING (2.360)	24	UR
8	69J-12168-30-00	PAD, ADJUSTING (2.380)	24	UR
8	69J-12168-40-00	PAD, ADJUSTING (2.400)	24	UR
8	69J-12168-50-00	PAD, ADJUSTING (2.420)	24	UR
8	69J-12168-60-00	PAD, ADJUSTING (2.440)	24	UR
8	69J-12168-70-00	PAD, ADJUSTING (2.460)	24	UR
8	69J-12168-80-00	PAD, ADJUSTING (2.480)	24	UR
8	69J-12168-90-00	PAD, ADJUSTING (2.500)	24	UR
8	69J-12168-A0-00	PAD, ADJUSTING (2.520)	24	UR
8	69J-12168-B0-00	PAD, ADJUSTING (2.540)	24	UR
8	69J-12168-C0-00	PAD, ADJUSTING (2.560)	24	UR
8	69J-12168-D0-00	PAD, ADJUSTING (2.580)	24	UR
8	69J-12168-E0-00	PAD, ADJUSTING (2.600)	24	UR
8	69J-12168-F0-00	PAD, ADJUSTING (2.620)	24	UR
8	69J-12168-G0-00	PAD, ADJUSTING (2.640)	24	UR
8	69J-12168-H0-00	PAD, ADJUSTING (2.660)	24	UR
8	69J-12168-J0-00	PAD, ADJUSTING (2.680)	24	UR
8	69J-12168-K0-00	PAD, ADJUSTING (2.700)	24	UR
8	69J-12168-L0-00	PAD, ADJUSTING (2.720)	24	UR
8	69J-12168-M0-00	PAD, ADJUSTING (2.740)	24	UR
8	69J-12168-N0-00	PAD, ADJUSTING (2.760)	24	UR
8	69J-12168-P0-00	PAD, ADJUSTING (2.780)	24	UR
8	69J-12168-R0-00	PAD, ADJUSTING (2.800)	24	UR
8	69J-12168-S0-00	PAD, ADJUSTING (2.820)	24	UR
8	69J-12168-T0-00	PAD, ADJUSTING (2.840)	24	UR
8	69J-12168-U0-00	PAD, ADJUSTING (2.860)	24	UR
8	69J-12168-V0-00	PAD, ADJUSTING (2.880)	24	UR
8	69J-12168-W0-00	PAD, ADJUSTING (2.900)	24	UR
8	69J-12168-X0-00	PAD, ADJUSTING (2.920)	24	UR
8	69J-12168-Y0-00	PAD, ADJUSTING (2.940)	24	UR
8	69J-12168-10-00	PAD, ADJUSTING (2.340)	24	UR
9	6P2-12171-00-00	CAMSHAFT 1	1	
10	6P2-12181-00-00	CAMSHAFT 2	1	
11	6P2-12172-00-00	CAMSHAFT 3	1	
12	6P2-12182-00-00	CAMSHAFT 4	1	
13	93605-10108-00	PIN, DOWEL	4	
14	6P2-11537-00-00	GEAR, DRIVEN	2	
15	6P2-12645-00-00	PULLY ASSY 1	2	
16	6P2-12623-00-00	.BOLT	1	
17	6P2-12663-00-00	.GASKET	1	
18	90119-10M06-00	BOLT, WITH WASHER	2	
19	6P2-12615-00-00	BOLT	2	
20	93102-38M59-00	.OIL SEAL	4	
21	6P2-46241-00-00	BELT	1	
22	6P2-11590-00-00	TENSIONER ASSY	1	
23	6P2-15512-00-00	GEAR, IDLER 1	2	
24	90387-10M08-00	COLLAR	2	
25	90119-10M07-00	BOLT, WITH WASHER	2	
26	90201-10M01-00	WASHER, PLATE	2	

## Part Notes

LF250TURD 2005 / VALVE

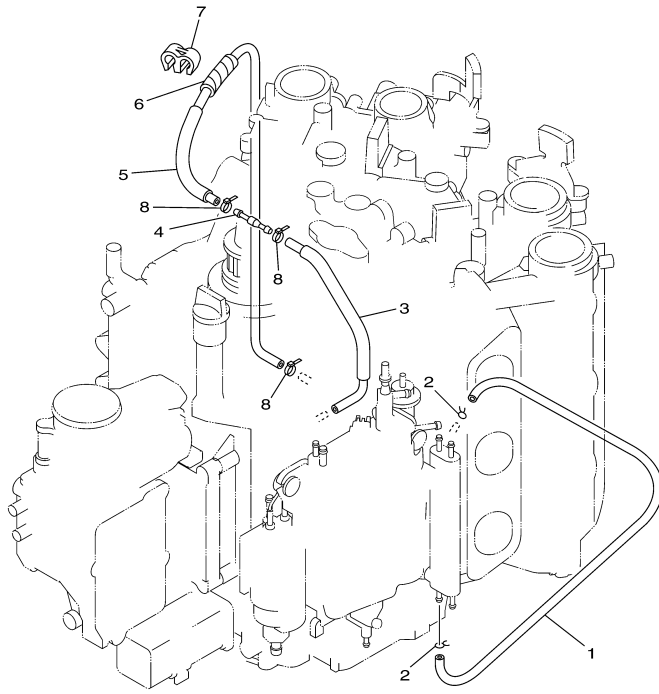
PART NUMBER	NOTE TEXT
69J-12119-00-00 	OEM: This part number is among the Top 100 Most Popular Marine Maintenance Parts as of February 2013.



## Part List

LF250TURD 2005 / INTAKE 1

REF - NO	PART NUMBER	PART NAME	QUANTITY	REMARKS
1	97575-08540-00	BOLT, WITH WASHER	4	
2	99530-10114-00	PIN, DOWEL	2	
3	6P2-13564-00-00	COVER, MANIFOLD	1	
4	6P2-13594-00-00	COVER, MANIFOLD 2	1	
5	90110-06038-00	BOLT, HEXAGON SOCKET HEAD	4	
6	6P2-24422-00-00	PLATE	1	
7	97575-06516-00	BOLT, WITH WASHER	2	
8	90179-06M28-00	NUT	2	
9	90119-06M24-00	BOLT, WITH WASHER	2	
10	97575-08540-00	BOLT, WITH WASHER	8	
11	90119-06MA6-00	BOLT, WITH WASHER	7	
12	6P2-13641-00-00	MANIFOLD, INTAKE 1	1	
13	6P2-13645-00-00	.GASKET, MANIFOLD 1	3	
14	6P2-13646-00-00	.GASKET, MANIFOLD 2	1	
15	6P2-13642-00-00	MANIFOLD 2	1	
16	6P2-13645-00-00	.GASKET, MANIFOLD 1	3	
17	6P2-13647-00-00	.GASKET, MANIFOLD 3	1	
18	6P2-15373-00-00	PIPE, BREATHER	1	
19	90465-13M18-00	CLAMP	1	
20	6P2-14440-00-00	SILENCER ASSY, INTAKE	1	
21	6P2-1441J-00-00	PIPE, SILENCER	1	
22	90464-99004-00	CLAMP	1	
23	90119-06M35-00	BOLT, WITH WASHER	4	



6P21110-D080

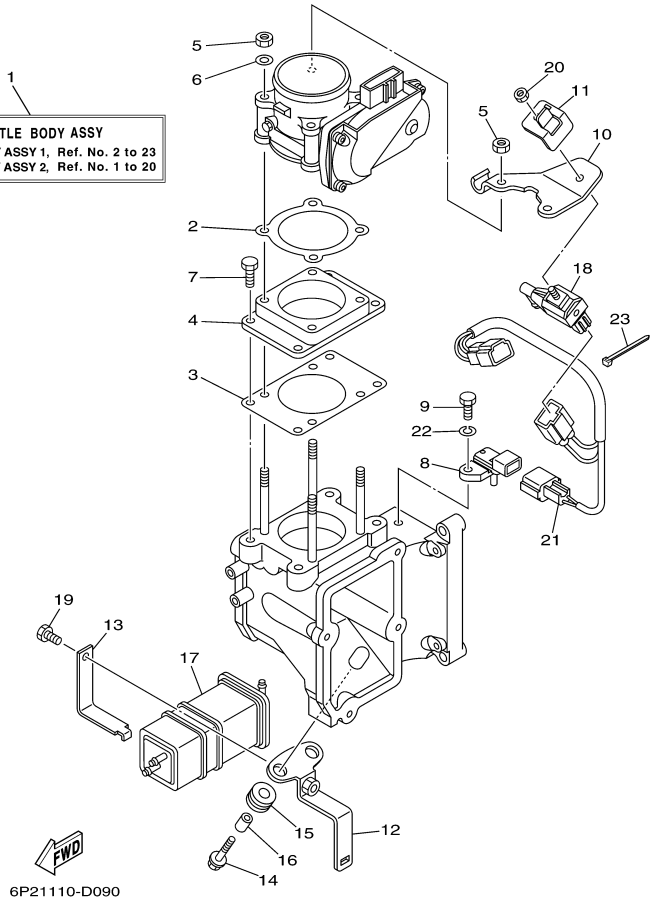


Part List

LF250TURD 2005 / INTAKE 2

REF - NO	PART NUMBER	PART NAME	QUANTITY	REMARKS
1	90445-09120-00	HOSE (L600)	1	
2	90467-09M03-00	CLIP	2	
3	6P2-12482-00-00	PIPE 2	1	
4	6E5-21744-00-00	BREATHER	1	
5	6P2-12483-00-00	PIPE 3	1	
6	90446-10M01-00	HOSE (L60)	1	
7	90464-09M21-00	CLAMP	1	
8	90465-11M10-00	CLAMP	3	

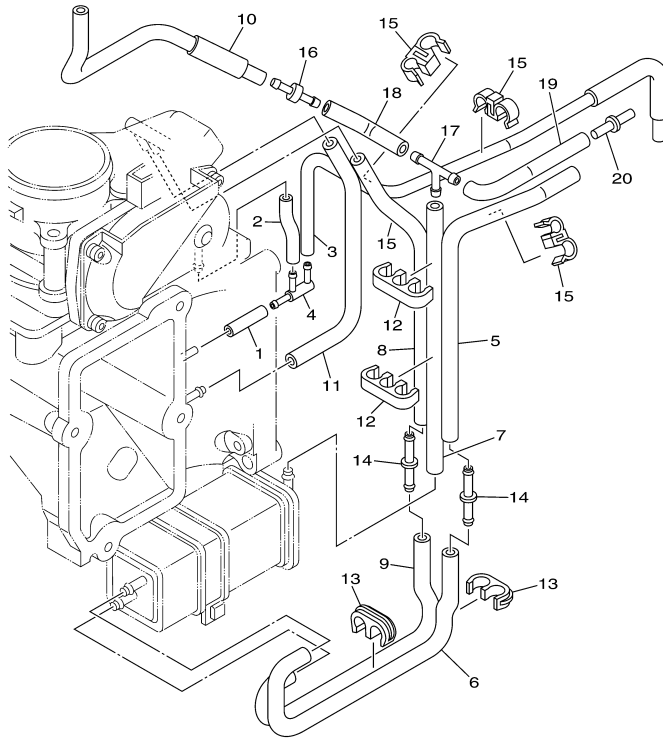
1  
**THROTTLE BODY ASSY**  
THROTTLE BODY ASSY 1, Ref. No. 2 to 23  
THROTTLE BODY ASSY 2, Ref. No. 1 to 20



## Part List

LF250TURD 2005 / THROTTLE BODY ASSY 1

REF - NO	PART NUMBER	PART NAME	QUANTITY	REMARKS
1	6P2-13750-00-00	THROTTLE BODY ASSY	1	
2	6P2-13556-00-00	GASKET, MANIFOLD	1	
3	6P2-13557-00-00	GASKET	1	
4	6P2-14360-00-00	THROTTLE DAMPER ASSY	1	
5	6P2-13588-00-00	NUT	4	
6	6P2-13578-00-00	WASHER	2	
7	6P2-14496-00-00	BOLT	4	
8	6P2-82380-00-00	SENSOR, PRESSURE	1	
9	6P2-13573-00-00	BOLT 1	1	
10	6P2-14255-00-00	PLATE	1	
11	6P2-14159-00-00	CLIP	1	
12	6P2-2134X-00-00	BRACKET, CANISTER	1	
13	6P2-2419A-00-00	HOLDER	1	
14	90119-06M59-00	BOLT, WITH WASHER	2	
15	90480-10M23-00	GROMMET	2	
16	90387-06M60-00	COLLAR	2	
17	6P2-24170-00-00	CANISTER ASSY	1	
18	6C5-86120-00-00	SOLENOID VALVE ASSY	1	
19	6P2-13574-00-00	BOLT 2	1	
20	69J-14164-00-00	NUT, HOLDING	1	
21	6P2-8258A-00-00	EXTENSION, WIRE HARNESS	1	
22	68V-14356-00-00	.WASHER, SPRING	1	
23	68V-2481H-00-00	CLAMP	1	

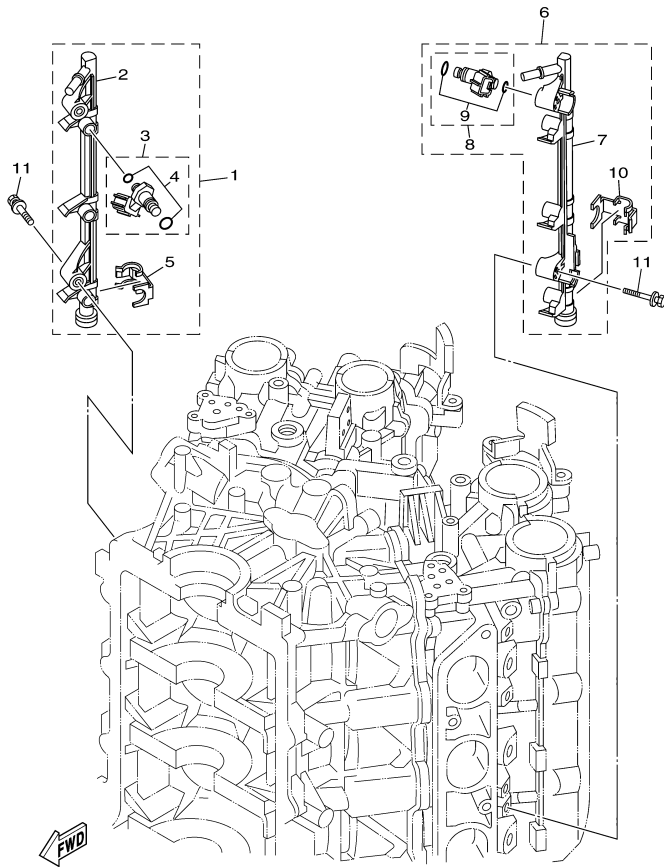


6P21110-D100

## Part List

LF250TURD 2005 / THROTTLE BODY ASSY 2

REF - NO	PART NUMBER	PART NAME	QUANTITY	REMARKS
1	6P2-14349-00-00	PIPE	1	
2	6P2-13533-00-00	.HOSE, VACUUM SENSING 4	1	
3	6P2-13532-00-00	HOSE, VACUUM SENSING 3	1	
4	6P2-13595-00-00	JOINT	1	
5	6P2-1475A-00-00	PIPE 1	1	
6	6P2-1475E-00-00	PIPE 2	1	
7	6P2-13545-00-00	HOSE 1	1	
8	6P2-1475F-00-00	PIPE 3	1	
9	6P2-1475G-00-00	PIPE 4	1	
10	6P2-13546-00-00	HOSE 2	1	
11	6P2-2416A-00-00	HOSE	1	
12	6P2-24135-00-00	CLAMP 1	2	
13	6P2-24136-00-00	CLAMP 2	2	
14	6P2-13758-00-00	PIPE, JOINT	2	
15	6P2-24137-00-00	CLAMP 3	3	
16	6E5-21744-00-00	BREATHER	1	
17	688-24378-00-00	PIPE, JOINT 3	1	
18	6P2-13547-00-00	HOSE 3	1	
19	6P2-13548-00-00	HOSE, AIR 4	1	
20	6P2-24376-00-00	PIPE, JOINT 1	1	

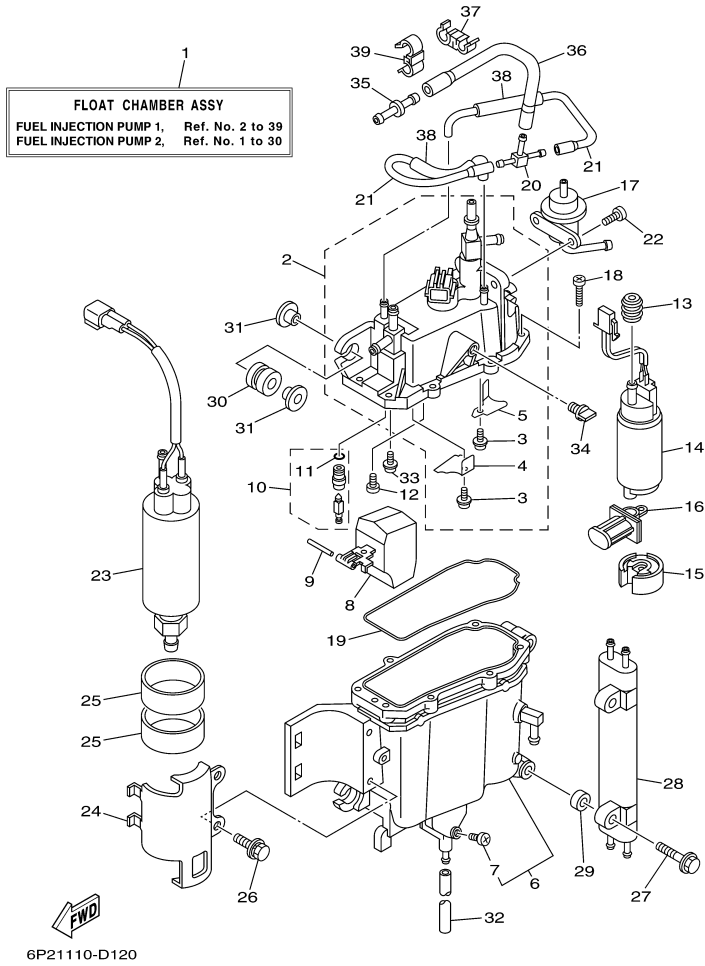


6P21110-D110

**Part List**

LF250TURD 2005 / THROTTLE BODY ASSY 3

<b>REF - NO</b>	<b>PART NUMBER</b>	<b>PART NAME</b>	<b>QUANTITY</b>	<b>REMARKS</b>
1	6P2-13160-00-00	DELIVERY PIPE ASSY 1	1	
2	6P2-13161-00-00	.PIPE, DELIVERY 1	1	
3	6P2-13761-00-00	.INJECTOR ASSY	3	
4	6C5-1410B-00-00	..PACKING KIT	1	
5	6P2-13577-00-00	.CLIP	3	
6	6P2-13170-00-00	DELIVERY PIPE ASSY 2	1	
7	6P2-13171-00-00	.PIPE, DELIVERY 2	1	
8	6P2-13761-00-00	.INJECTOR ASSY	3	
9	6C5-1410B-00-00	..PACKING KIT	1	
10	6P2-13577-00-00	.CLIP	3	
11	90119-06122-00	BOLT, WITH WASHER	4	






## Part List

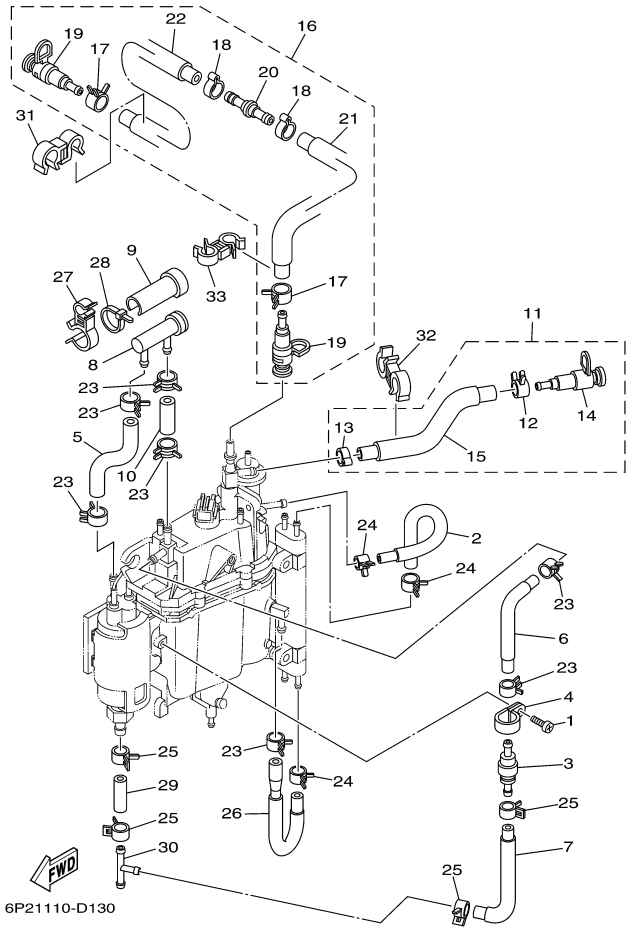
LF250TURD 2005 / FUEL INJECTION PUMP 1

REF - NO	PART NUMBER	PART NAME	QUANTITY	REMARKS
1	6P2-14180-00-00	FLOAT CHAMBER ASSY	1	
2	6P2-14182-00-00	COVER, FLOAT CHAMBER	1	
3	4SV-24453-00-00	.SCREW	2	
4	6P2-2411T-00-00	.PLATE 2	1	
5	63P-2411R-00-00	.PLATE 1	1	
6	6P2-14181-00-00	BODY, FLOAT CHAMBER 1	1	
7	6P2-14191-00-00	.PLUG, DRAIN	1	
8	6P2-14985-00-00	FLOAT	1	
9	6P2-14386-00-00	PIN, FLOAT	1	
10	6P2-14546-00-00	VALVE, NEEDLE	1	
11	6P2-13769-00-00	.O-RING	1	
12	4SV-24453-00-00	SCREW	1	
13	68V-13781-10-00	.DAMPER, PUMP	1	
14	6P2-13907-00-00	FUEL PUMP COMP.	1	
15	63P-13784-00-00	.COVER, PUMP	1	
16	63P-13915-00-00	FILTER	1	
17	6P2-13906-00-00	REGULATOR, PRESSURE	1	
18	63P-14567-00-00	SCREW	7	
19	6P2-14984-00-00	GASKET, FLOAT CHAMBER	1	
20	69J-24379-00-00	PIPE, JOINT 4	1	
21	63P-14148-00-00	PIPE	2	
22	68V-14564-00-00	SCREW	2	
23	69J-24410-00-00	FUEL PUMP ASSY	1	
24	6P2-24491-00-00	BRACKET, FUEL PUMP	1	
25	69J-24492-00-00	BUSH, FUEL PUMP	2	
26	6P2-24592-00-00	BOLT	2	
27	6P2-14446-00-00	BOLT	2	
28	6P2-21841-00-00	COOLER	1	
29	68V-14265-00-00	COLLAR	2	
30	69J-13593-00-00	DAMPER	4	
31	69J-13716-00-00	COLLAR	8	
32	6P2-14149-00-00	PIPE	1	
33	98507-04008-00	.SCREW, PAN HEAD	1	
34	69J-14225-00-00	CAP	1	
35	6P2-1410F-00-00	NIPPLE 1	1	
36	6P2-14197-00-00	PIPE	1	
37	6P2-2417J-00-00	CLAMP 2	1	
38	6P2-24321-00-00	PIPE 10	2	
39	6P2-2417K-00-00	CLAMP 3	1	

## Part Notes

LF250TURD 2005 / FUEL INJECTION PUMP 1

PART NUMBER	NOTE TEXT
63P-13915-00-00 	OEM: This part number is among the Top 100 Most Popular Marine Maintenance Parts as of February 2013.



6P21110-D130


## Part List

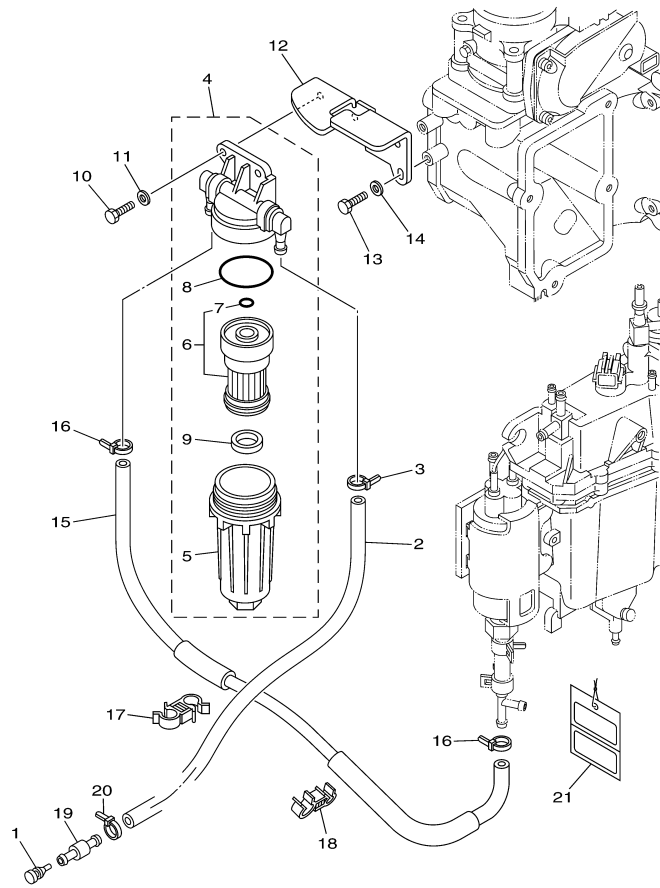
LF250TURD 2005 / FUEL INJECTION PUMP 2

REF - NO	PART NUMBER	PART NAME	QUANTITY	REMARKS
1	98582-05008-00	SCREW, PAN HEAD	1	
2	6P2-13976-00-00	PIPE, FUEL 6	1	
3	69J-24460-00-00	RELIEF VALVE ASSY	1	
4	6P2-24367-00-00	CLAMP, FUEL PIPE 2	1	
5	6P2-24324-00-00	PIPE 13	1	
6	6P2-24322-00-00	PIPE 11	1	
7	6P2-24323-00-00	PIPE 12	1	
8	69J-24501-10-00	FILTER, FUEL	1	
9	69J-24599-10-00	CAP	1	
10	69J-24325-00-00	PIPE 14	1	
11	6P2-1257A-00-00	HOSE ASSY 1	1	
12	68V-13577-00-00	.CLIP	1	
13	68V-24387-00-00	.CLIP	1	
14	60E-24300-01-00	.FUEL PIPE JOINT	1	
15	6P2-13974-00-00	.PIPE, FUEL 4	1	
16	6P2-1257E-00-00	HOSE ASSY 2	1	
17	68V-13577-00-00	.CLIP	2	
18	68V-24387-00-00	.CLIP	2	
19	60E-24300-01-00	.FUEL PIPE JOINT	2	
20	6P2-24461-00-00	.PIPE, JOINT	1	
21	6P2-13973-00-00	.PIPE, FUEL 3	1	
22	6P2-13972-00-00	.PIPE, FUEL 2	1	
23	68V-13577-00-00	CLIP	7	
24	68V-24519-00-00	CLIP	3	
25	69J-14137-00-00	CLIP	4	
26	6P2-24315-00-00	PIPE 5	1	
27	6P2-2417H-00-00	CLAMP 1	1	
28	68V-2481H-00-00	CLAMP	1	
29	6P2-24317-00-00	PIPE 7	1	
30	6E5-24378-00-00	PIPE, JOINT 3	1	
31	90464-12010-00	CLAMP	1	
32	90464-18005-00	CLAMP	1	
33	90464-12009-00	CLAMP	1	

## Part Notes

LF250TURD 2005 / FUEL INJECTION PUMP 2

PART NUMBER	NOTE TEXT
69J-24501-10-00 	OEM: This part number is among the Top 100 Most Popular Marine Maintenance Parts as of February 2013.

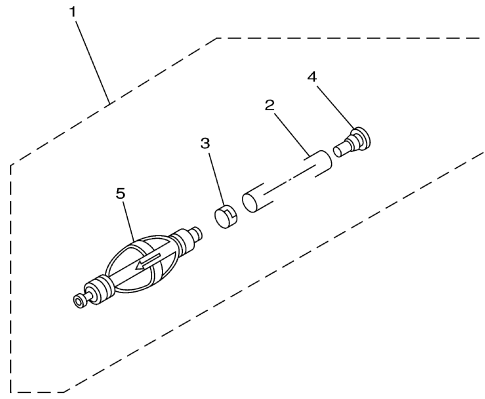


6P21110-D140

## Part List

LF250TURD 2005 / FUEL 1

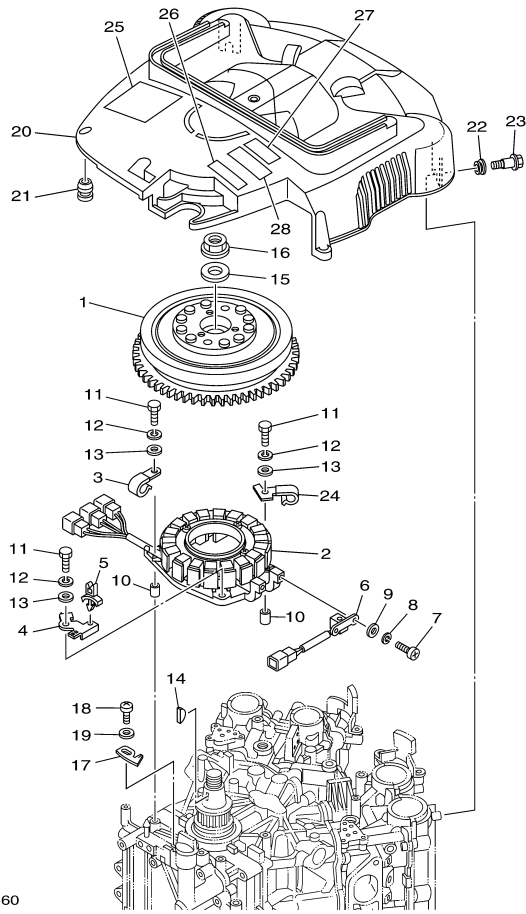
REF - NO	PART NUMBER	PART NAME	QUANTITY	REMARKS
1	689-85547-00-00	DAMPER	1	
2	90445-13008-00	HOSE (L2500)	1	
3	90465-11M10-00	CLAMP	1	
4	6P2-24409-00-00	WATER SEPARATOR ASSY	1	
5	6P2-24521-00-00	.CUP, FILTER	1	
6	6P2-24563-00-00	.ELEMENT, FILTER	1	
7	6P2-24565-00-00	..O-RING	1	
8	6P2-24564-00-00	.O-RING	1	
9	6P2-24469-00-00	.FLOAT, WATER LEVEL	1	
10	97095-06020-00	BOLT	2	
11	92995-06600-00	WASHER	2	
12	6P2-24566-00-00	BRACKET, FILTER	1	
13	97095-06016-00	BOLT	2	
14	92995-06600-00	WASHER	2	
15	6P2-24313-00-00	PIPE 3	1	
16	90465-11M10-00	CLAMP	2	
17	90464-12009-00	CLAMP	1	
18	90464-12010-00	CLAMP	1	
19	6R3-24377-10-00	PIPE, JOINT 2	1	
20	90465-11M10-00	CLAMP	1	
21	61H-2819R-31-00	TAG, WARNING	1	



Part List

LF250TURD 2005 / FUEL 2

REF - NO	PART NUMBER	PART NAME	QUANTITY	REMARKS
1	6Y2-24307-50-00	FUEL PIPE COMP. 2	1	AP
2	90445-13M01-00	.HOSE (L2050)	1	
3	6E5-24351-51-00	.BAND 1	1	
4	90480-06M19-00	.GROMMET	1	
5	6Y2-24360-60-00	.PRIMER PUMP ASSY	1	







# Part List

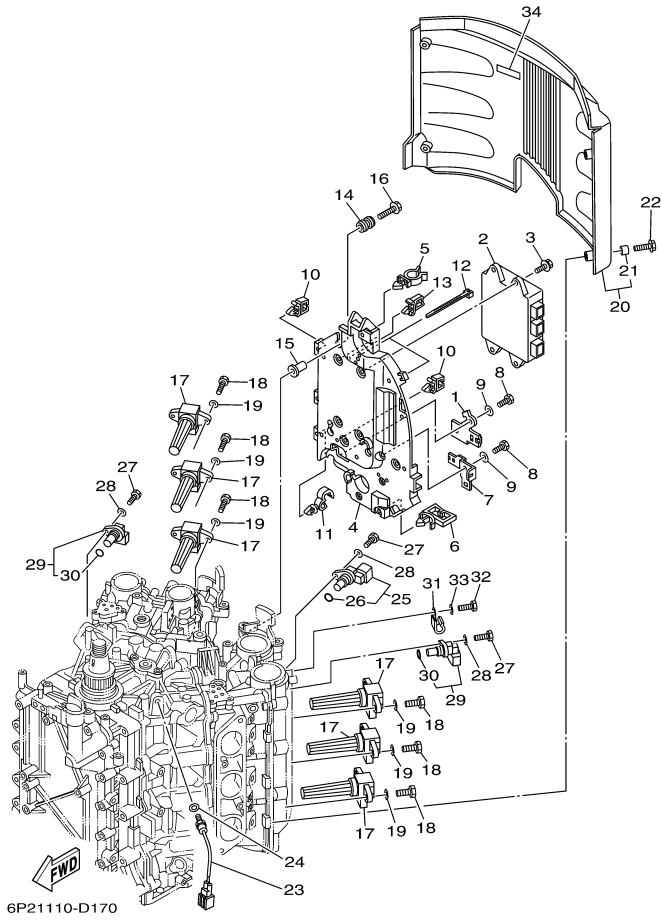
LF250TURD 2005 / GENERATOR

REF - NO	PART NUMBER	PART NAME	QUANTITY	REMARKS
1	6P2-81450-00-00	ROTOR ASSY	1	
2	6P2-81460-00-00	BASE ASSY	1	
3	90462-08032-00	CLAMP	1	
4	6P2-8257V-00-00	PLATE, CONNECTOR	1	
5	90464-06001-00	CLAMP	1	
6	6P2-85580-00-00	COIL, PULSER	1	
7	97880-05012-00	SCREW, PAN HEAD	2	
8	92990-05100-00	WASHER, SPRING	2	
9	92990-05600-00	WASHER, PLATE	2	
10	99530-08012-00	PIN, DOWEL	2	
11	97095-06035-00	BOLT	4	
12	92995-06100-00	WASHER, SPRING	4	
13	92995-06600-00	WASHER	4	
14	90280-05015-00	KEY, WOODRUFF	1	
15	90201-24014-00	WASHER, PLATE	1	
16	90179-24002-00	NUT	1	
17	6P2-81332-00-00	PLATE, TIMING	1	
18	97885-06010-00	SCREW, PAN HEAD	1	
19	92995-06600-00	WASHER	1	
20	6P2-81337-00-00	COVER, FLYWHEEL	1	
21	663-82317-01-00	DAMPER, IGNITION COIL	4	
22	90480-12072-00	GROMMET	2	
23	90109-06M04-00	BOLT	2	
24	6P2-81128-00-00	CLAMP	1	
25	6P2-81919-00-00	GRAPHIC, REGULATOR	1	
26	60L-13437-40-00	MARK, CAUTION	1	
27	6A1-83625-41-00	MARK 5	1	
28	6K1-83623-41-00	MARK 3	1	

# Part Notes

LF250TURD 2005 / GENERATOR

PART NUMBER	NOTE TEXT
92995-06100-00 	OEM: This part number is among the Top 100 Most Popular Marine Maintenance Parts as of February 2013.
90480-12072-00 	OEM: GROMMET used on F115TLR and F/LF115TXR 0410 Production and Earlier




## Part List

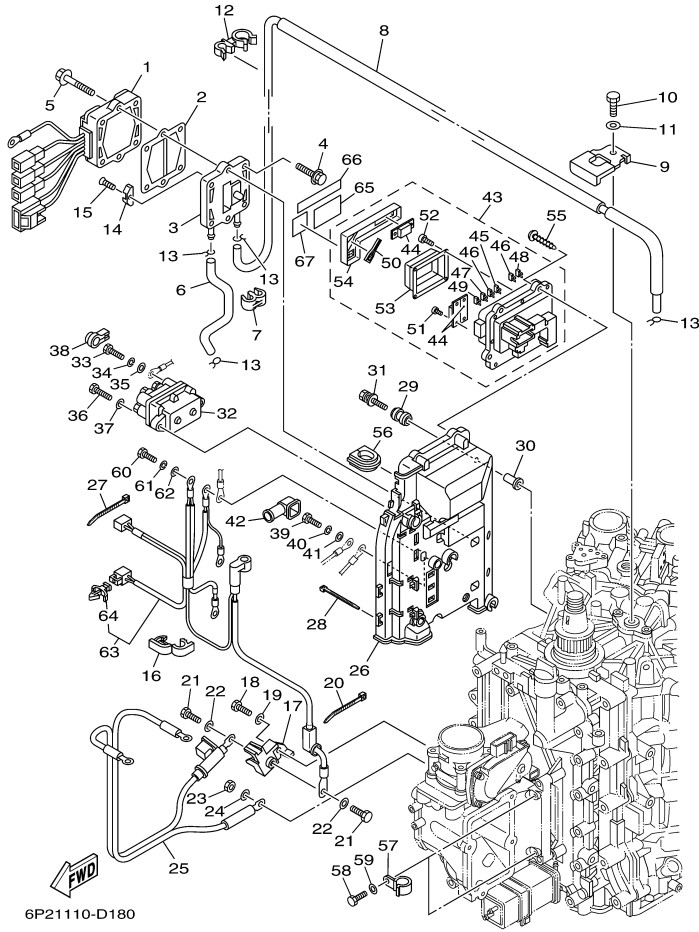
LF250TURD 2005 / ELECTRICAL 1

REF - NO	PART NUMBER	PART NAME	QUANTITY	REMARKS
1	6P2-8257V-00-00	PLATE, CONNECTOR	1	
2	6P2-8591A-10-00	ENGINE CONTROL UNIT ASSY	1	
3	90119-06M82-00	BOLT, WITH WASHER	4	
4	6P2-82316-00-00	BRACKET, IGNITION COIL	1	
5	90464-19M45-00	CLAMP	1	
6	90464-23199-00	CLAMP	1	
7	6P2-81845-00-00	PLATE	1	
8	97095-06016-00	BOLT	2	
9	92995-06600-00	WASHER	2	
10	90464-11121-00	CLAMP	4	
11	90464-13249-00	CLAMP	2	
12	90465-14M66-00	CLAMP	2	
13	90464-08004-00	CLAMP	1	
14	6A0-82317-00-00	DAMPER, IGNITION COIL	4	
15	624-42542-00-00	PIPE	4	
16	90119-06M59-00	BOLT, WITH WASHER	4	
17	6P2-82310-00-00	IGNITION COIL ASSY	6	
18	97095-06020-00	BOLT	12	
19	92995-06600-00	WASHER	12	
20	6P2-82314-00-00	COVER, IGNITION COIL	1	
21	90387-06044-00	.COLLAR	4	
22	90119-06M92-00	BOLT, WITH WASHER	4	
23	61A-85790-00-00	THERMOSENSOR ASSY	1	
24	92990-10600-00	WASHER, PLATE	1	
25	6P2-85896-00-00	SENSOR, CAM POSITION	1	
26	6P2-85075-00-00	.O-RING	1	
27	97095-06020-00	BOLT	3	
28	92995-06600-00	WASHER	3	
29	6P2-85897-00-00	SENSOR, CAM POSITION 2	2	
30	6P2-85075-00-00	.O-RING	1	
31	90462-08032-00	CLAMP	1	
32	97095-06012-00	BOLT	1	
33	92995-06600-00	WASHER	1	
34	67F-12138-40-00	MARK, CAUTION	1	

## Part Notes

LF250TURD 2005 / ELECTRICAL 1

PART NUMBER	NOTE TEXT
92990-10600-00 	OEM: This part number is among the Top 100 Most Popular Marine Maintenance Parts as of February 2013.



## Part List

LF250TURD 2005 / ELECTRICAL 2

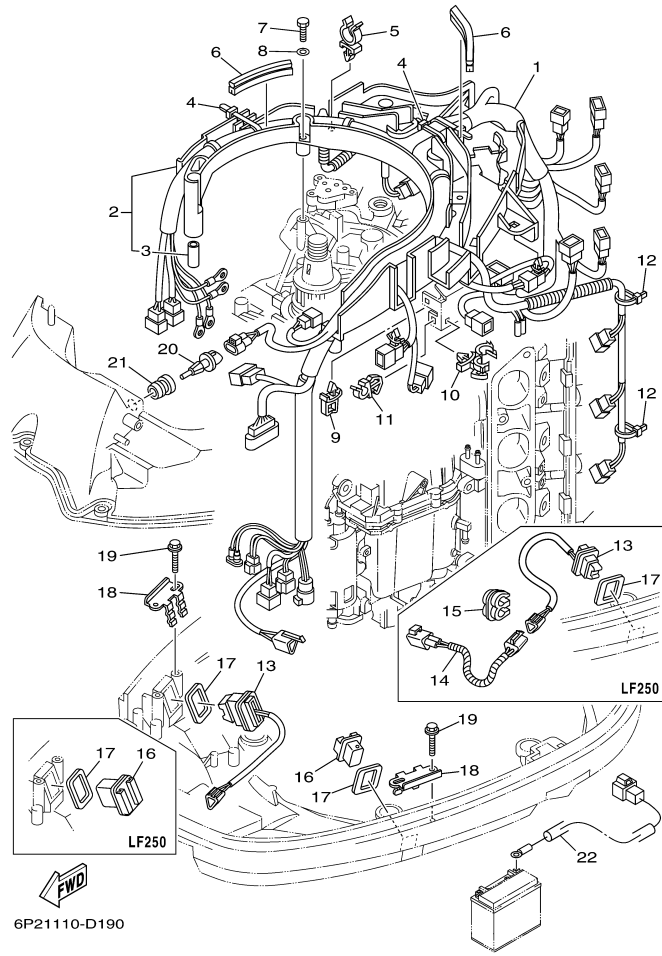
REF - NO	PART NUMBER	PART NAME	QUANTITY	REMARKS
1	6P2-81960-00-00	RECTIFIER & REGULATOR ASSY	1	
2	60V-81975-A0-00	PLATE, RECTIFIER FITTING	1	
3	6P2-81972-00-1S	COVER, RECTIFIER	1	
4	90119-06MA3-00	BOLT, WITH WASHER	4	
5	90119-06MA5-00	BOLT, WITH WASHER	2	
6	90445-09304-00	HOSE (L310)	1	
7	90464-09M21-00	CLAMP	1	
8	6P2-12481-00-00	PIPE 1	1	
9	6P2-12491-00-00	CLAMP 1	1	
10	97095-06012-00	BOLT	1	
11	92995-06600-00	WASHER	1	
12	90464-21002-00	CLAMP	2	
13	90467-08M18-00	CLIP	4	
14	6E5-11325-00-00	ANODE	1	
15	98780-04015-00	SCREW, FLAT HEAD	1	
16	90464-18004-00	CLAMP	5	
17	6P2-81925-00-00	TERMINAL	1	
18	97095-08020-00	BOLT	1	
19	92995-08600-00	WASHER	1	
20	90465-13M18-00	CLAMP	1	
21	97095-08016-00	BOLT	2	
22	92995-08600-00	WASHER	2	
23	95333-08600-00	NUT	1	
24	92903-08100-00	WASHER, SPRING	1	
25	6P2-82105-00-00	WIRE HARNESS	1	
26	6P2-81948-00-00	BRACKET	1	
27	90465-13M18-00	CLAMP	6	
28	90465-14M66-00	CLAMP	3	
29	6A0-82317-00-00	DAMPER, IGNITION COIL	5	
30	624-42542-00-00	PIPE	5	
31	90119-06M59-00	BOLT, WITH WASHER	5	
32	63P-81950-00-00	RELAY ASSY	1	
33	97095-06010-00	BOLT	2	
34	92995-06100-00	WASHER, SPRING	2	
35	92995-06600-00	WASHER	2	
36	97013-06025-00	BOLT	2	
37	92903-06600-00	WASHER, PLATE	2	
38	6P2-8183X-00-00	CAP, TERMINAL	2	
39	97095-06020-00	BOLT	1	
40	92995-06100-00	WASHER, SPRING	1	
41	92995-06600-00	WASHER	1	
42	6P2-82119-00-00	COVER, LEAD WIRE	1	
43	6P2-82170-01-00	FUSE BOX ASSY	1	UR 6P2:1023523~ 6P3:1010158~
43	6P2-82170-00-00	FUSE BOX ASSY	1	UR 6P2:1000001-1023522 6P3:1000001-1010157
44	6P2-82151-00-00	.FUSE (60A)	3	UR 6P2:1023523~ 6P3:1010158~
44	68F-82151-00-00	.FUSE (80A)	3	UR 6P2:1000001-1023522 6P3:1000001-1010157
45	67F-82151-00-00	.FUSE (20A)	2	
46	67F-82151-10-00	.FUSE (30A)	3	
47	67F-82151-20-00	.FUSE (5A)	2	
48	67F-82151-40-00	.FUSE (10A)	2	
49	67F-82151-50-00	.FUSE (15A)	2	
50	67F-2812A-00-00	.PULLER, FUSE	1	
51	68F-82846-00-00	.SCREW, PAN HEAD (M5)	4	
52	6P2-82113-00-00	.SCREW	4	
53	6P2-81639-00-00	.RELAY COVER	1	
54	6P2-85544-00-00	.CASE	1	
55	97780-50620-00	SCREW, TAPPING	4	
56	6P2-81336-00-00	GROMMET	1	
57	90462-08026-00	CLAMP	2	
58	97095-06014-00	BOLT	2	
59	92995-06600-00	WASHER	2	
60	97095-06020-00	BOLT	3	
61	92995-06100-00	WASHER, SPRING	3	
62	92995-06600-00	WASHER	3	

63	6P2-8259M-00-00	WIRE HARNESS ASSY 2	1	
64	90464-09M47-00	.CLAMP	1	
65	6P2-81919-10-00	GRAPHIC, REGULATOR	1	
66	6P2-81919-20-00	GRAPHIC, REGULATOR	1	
67	6P2-81919-31-00	GRAPHIC, REGULATOR	1	UR 6P2:1023523~ 6P3:1010158~
67	6P2-81919-30-00	GRAPHIC, REGULATOR (80A)	1	UR 6P2:1000001-1023522 6P3:1000001-1010157

## Part Notes

LF250TURD 2005 / ELECTRICAL 2

PART NUMBER		NOTE TEXT
92995-06100-00		OEM: This part number is among the Top 100 Most Popular Marine Maintenance Parts as of February 2013.
92995-06100-00		OEM: This part number is among the Top 100 Most Popular Marine Maintenance Parts as of February 2013.
92995-06100-00		OEM: This part number is among the Top 100 Most Popular Marine Maintenance Parts as of February 2013.



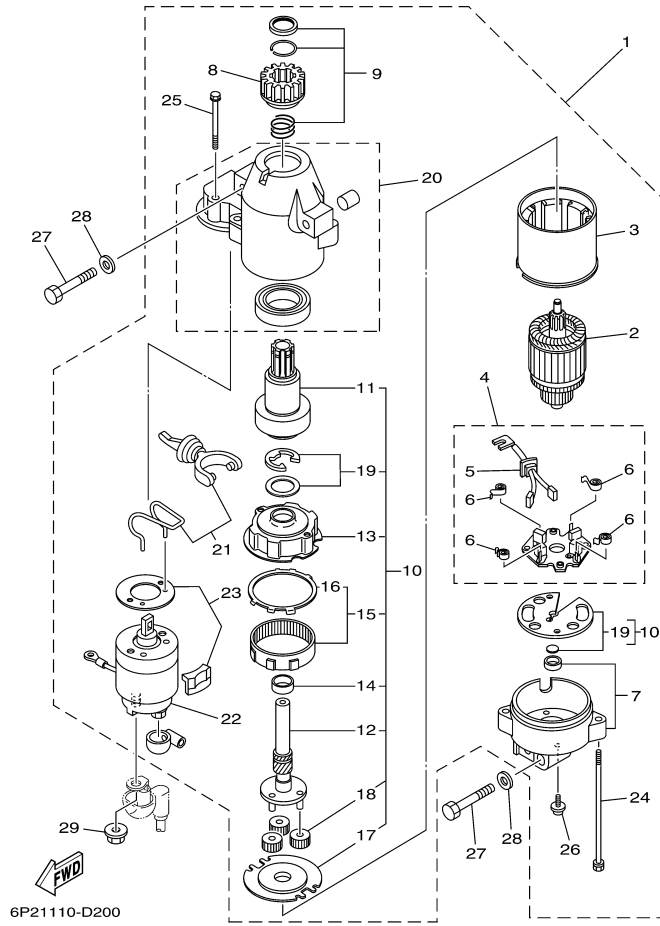
6P21110-D190

## Part List

LF250TURD 2005 / ELECTRICAL 3

REF - NO	PART NUMBER	PART NAME	QUANTITY	REMARKS
1	6P2-82590-00-00	WIRE HARNESS ASSY	1	
2	6P2-82589-00-00	PROTECTOR, WIRE HARNESS	1	
3	90387-06M26-00	.COLLAR	6	
4	90465-14M66-00	CLAMP	2	
5	90464-19M45-00	CLAMP	4	
6	6P2-85722-00-00	INSULATOR	2	
7	97095-06035-00	BOLT	6	
8	92995-06600-00	WASHER	6	
9	90464-06001-00	CLAMP	1	
10	90464-18246-00	CLAMP	1	
11	90464-08051-00	CLAMP	1	
12	90465-13M18-00	CLAMP	3	
13	69J-82563-00-00	TRIM & TILT SWITCH ASSY	1	
14	6P3-82553-00-00	EXTENSION, WIRE LEAD	1	
15	90464-10M57-00	CLAMP	1	
16	69J-42723-00-8D	COVER, BOTTOM	1	
17	69J-82587-00-00	GASKET	2	
18	69J-83614-00-00	BRACKET	2	
19	90109-06M86-00	BOLT	4	
20	63P-85886-00-00	SENSOR, AIR TEMPERATURE	1	
21	63P-14435-00-00	GROMMET	1	
22	69J-81949-00-00	WIRE, LEAD (ISOLATOR CABLE)	1	AP



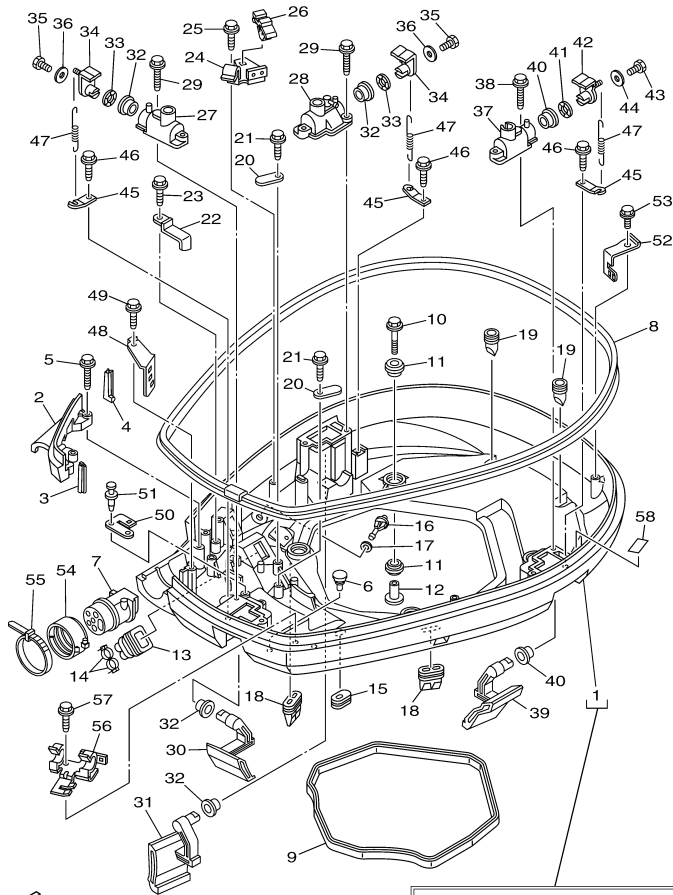


6P21110-D200

## Part List

LF250TURD 2005 / STARTING MOTOR

REF - NO	PART NUMBER	PART NAME	QUANTITY	REMARKS
1	63P-81800-00-00	STARTING MOTOR ASSY	1	
2	67F-81850-00-00	.ARMATURE ASSY	1	
3	67F-81810-00-00	.STATOR ASSY	1	
4	69J-81840-00-00	.BRUSH HOLDER ASSY	1	
5	69J-81801-00-00	..BRUSH SET	1	
6	67F-81813-00-00	..SPRING, BRUSH	4	
7	68F-81820-00-00	.REAR BRACKET ASSY	1	
8	67F-81808-00-00	.PINION ASSY	1	
9	67F-81857-00-00	.PINION STOPPER SET	1	
10	67F-81807-00-00	.GEAR ASSY, STARTING MOTOR	1	
11	67F-81832-00-00	..CLUTCH, OVER RUN	1	
12	67F-81836-00-00	..SHAFT, PINION	1	
13	67F-81821-00-00	..BRACKET, CENTER 1	1	
14	67F-81841-00-00	..BEARING	1	
15	67F-81891-00-00	..GEAR, RING	1	
16	67F-8183R-00-00	...GASKET	1	
17	67F-81830-00-00	..BRACKET, CENTER 2	1	
18	60V-8183T-00-00	..GEAR, IDLER	3	
19	67F-81809-00-00	..WASHER KIT	1	
20	69J-81842-00-00	.COVER	1	
21	69J-81839-00-00	.LEVER ASSY	1	
22	63P-81941-00-00	.STARTER RELAY ASSY	1	
23	69J-81869-00-00	.COVER, DUST	1	
24	6K7-81826-10-00	.BOLT	2	
25	69J-81828-00-00	.SCREW 2	2	
26	67F-81846-00-00	.SCREW	2	
27	97013-08045-00	BOLT	3	
28	92903-08600-00	WASHER, PLATE	3	
29	90179-08003-00	NUT	1	



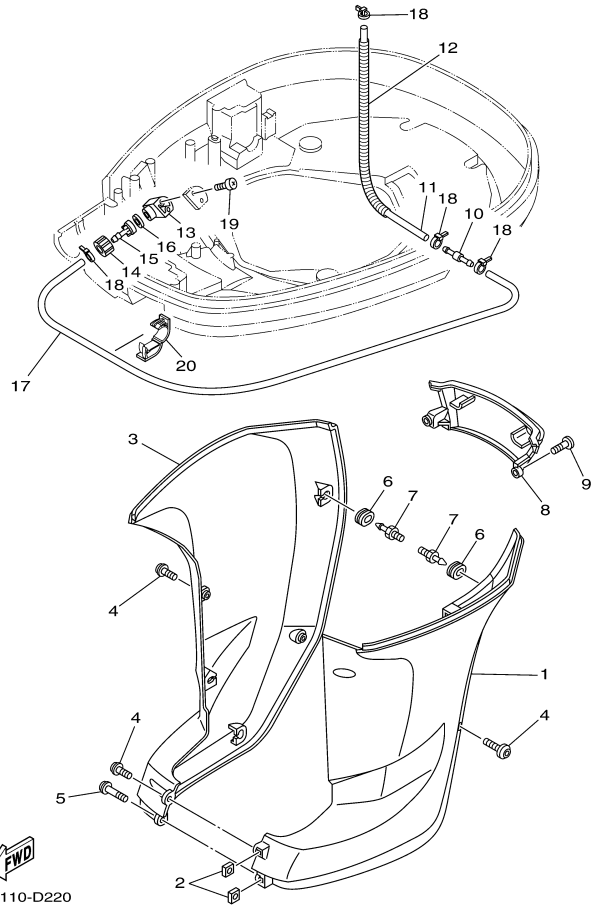
6P21110-D210

BOTTOM BOWLING 1, Ref. No. 5, 21, 23, 25,  
29, 38, 46, 49, 53, 57  
ELECTRICAL 3, Ref. No. 19  
CONTROL, Ref. No. 2

## Part List

LF250TURD 2005 / BOTTOM COWLING 1

REF - NO	PART NUMBER	PART NAME	QUANTITY	REMARKS
1	6P2-42710-00-8D	BOTTOM COWLING ASSY	1	
2	6P2-42738-00-5B	PLATE, FITTING	1	
3	60L-42717-00-00	RUBBER, SEAL 2	1	
4	60L-42718-00-00	RUBBER, SEAL 3	1	
5	90109-06M82-00	BOLT	2	
6	6H4-42748-00-00	GROMMET	2	
7	6P2-42725-00-00	GROMMET	1	
8	6P2-42615-00-00	SEAL	1	
9	69J-42716-00-00	RUBBER, SEAL 1	1	
10	90119-08M22-00	BOLT, WITH WASHER	4	
11	90480-22M81-00	GROMMET	8	
12	90387-08M37-00	COLLAR	4	
13	6H1-42726-21-00	GROMMET	1	
14	90465-11M10-00	CLAMP	2	
15	61A-42727-00-00	GROMMET	1	
16	69J-44391-00-00	NIPPLE, HOSE	1	
17	60V-42747-10-00	PAD	1	
18	69J-42717-00-00	RUBBER, SEAL 2	2	
19	61A-42717-00-00	RUBBER, SEAL 2	2	
20	6E5-82588-00-00	PLATE	2	
21	90109-06M81-00	BOLT	2	
22	90462-20001-00	CLAMP	1	
23	90109-06M86-00	BOLT	1	
24	6P2-82554-00-00	STAY, NEUTRAL SWITCH	1	
25	90109-06M86-00	BOLT	1	
26	90464-09M47-00	CLAMP	1	
27	69J-42828-01-94	PLATE, CLAMP	1	
28	6P2-42828-00-94	PLATE, CLAMP	1	
29	90109-06M82-00	BOLT	4	
30	69J-42815-00-8D	LEVER, CLAMP	1	
31	69J-42817-00-8D	LEVER, CLAMP	1	
32	90386-15M73-00	BUSH	4	
33	90206-15M18-00	WASHER, WAVE	2	
34	63P-42818-01-00	LEVER, CLAMP	2	
35	97095-06020-00	BOLT	2	
36	90201-06068-00	WASHER, PLATE	2	
37	68F-42828-10-94	PLATE, CLAMP	1	
38	90109-06M82-00	BOLT	2	
39	69J-42816-00-8D	LEVER, CLAMP	1	
40	90386-15M73-00	BUSH	2	
41	90206-15M18-00	WASHER, WAVE	1	
42	68V-42818-01-00	LEVER, CLAMP	1	
43	97095-06020-00	BOLT	1	
44	90201-06068-00	WASHER, PLATE	1	
45	64D-43144-00-00	HOOK, SPRING	3	
46	90109-06M86-00	BOLT	3	
47	90506-18M40-00	SPRING, TENSION	3	
48	6P2-42743-00-00	BRACKET	1	
49	90109-06M82-00	BOLT	1	
50	6P2-42766-00-00	BRACKET 2	1	
51	90269-05005-00	RIVET	2	
52	69J-8366G-00-00	BRACKET 3	1	
53	90109-06M86-00	BOLT	1	
54	68F-42753-00-00	FASTNER	1	AP
55	90464-20258-00	CLAMP	1	AP
56	6P2-82594-00-00	CLAMP	1	
57	90109-06M86-00	BOLT	1	
58	68V-82377-00-00	LABEL	1	



6P21110-D220


Part List

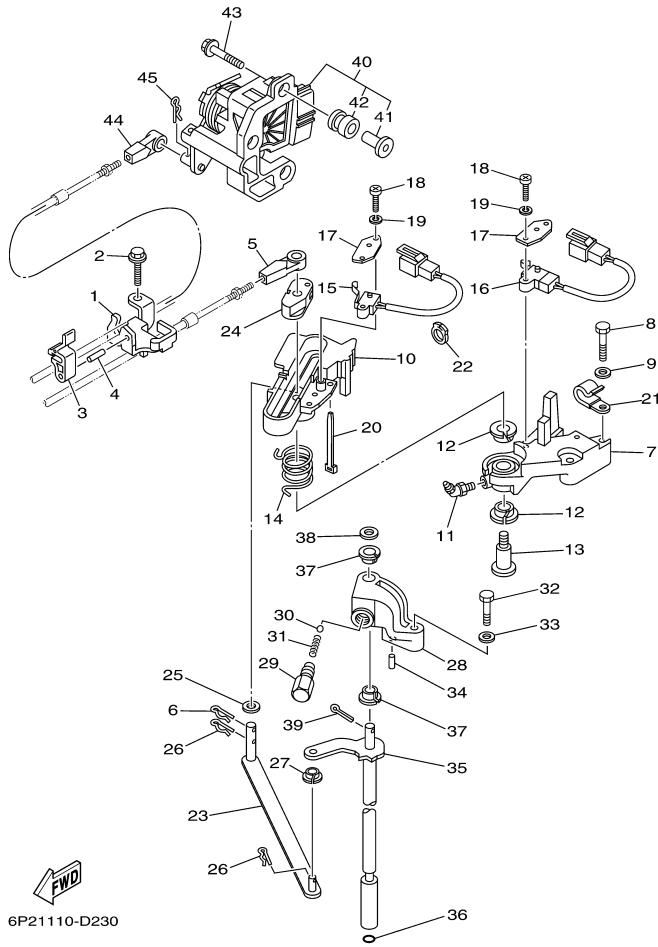
LF250TURD 2005 / BOTTOM COWLING 2

REF - NO	PART NUMBER	PART NAME	QUANTITY	REMARKS
1	69J-42741-00-8D	APRON	1	
2	90173-06001-00	NUT, SQUARE	2	
3	69J-42771-00-8D	APRON	1	
4	90111-06025-00	BOLT,HEX. SOCKET BUTTON	5	
5	90111-06026-00	BOLT,HEX. SOCKET BUTTON	1	
6	90480-14M17-00	GROMMET	6	
7	69J-42774-00-00	STAY, APRON 1	6	
8	69J-45151-00-8D	COVER, UPPER CASING	1	
9	90111-06025-00	BOLT,HEX. SOCKET BUTTON	2	
10	6E5-24379-00-00	PIPE, JOINT 4	1	
11	90445-11M47-00	HOSE (L370)	1	
12	90447-13009-00	TUBE	1	
13	68T-12572-00-00	ADAPTER	1	
14	6R3-12581-00-00	JOINT, HOSE 1	1	
15	6R3-12582-00-00	JOINT, HOSE 2	1	
16	6R3-12583-00-00	GASKET, HOSE JOINT	1	
17	90445-11028-00	HOSE (L1050)	1	
18	90465-11M10-00	CLAMP	4	
19	97780-60520-00	SCREW, TAPPING	2	
20	90464-18004-00	CLAMP	1	

Part Notes

LF250TURD 2005 / BOTTOM COWLING 2

PART NUMBER	NOTE TEXT
90173-06001-00 	OEM: This part number is among the Top 100 Most Popular Marine Maintenance Parts as of February 2013.






## Part List

LF250TURD 2005 / CONTROL

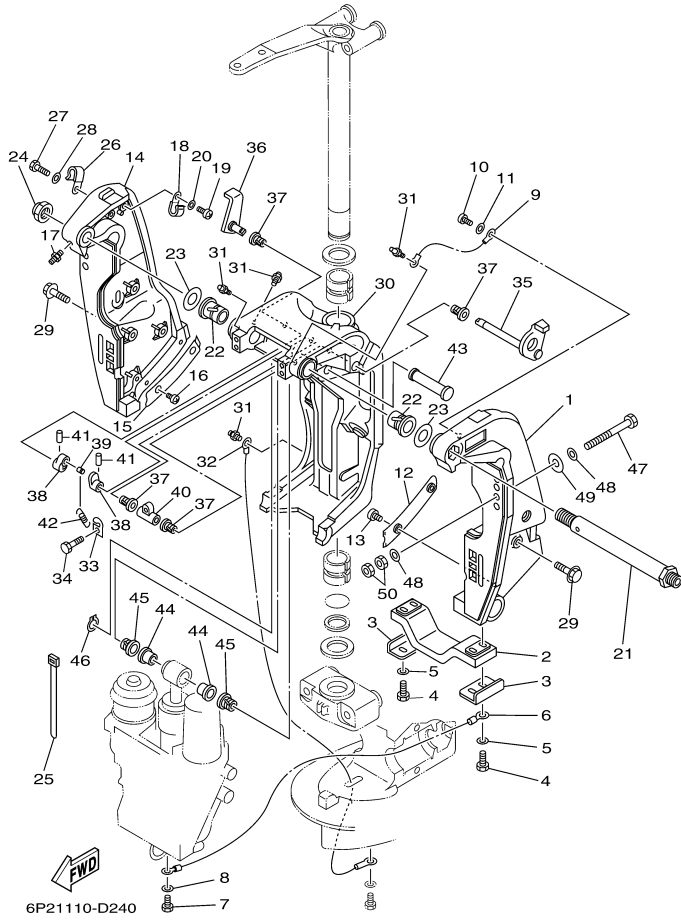
REF - NO	PART NUMBER	PART NAME	QUANTITY	REMARKS
1	6P2-48531-00-00	BRACKET, REMOTE CONTROL 1	1	
2	90109-06M86-00	BOLT	2	
3	63P-48538-00-00	CLAMP, CABLE 1	1	
4	91690-30010-00	PIN, SPRING	1	
5	6E5-48344-00-00	CABLE END, REMOTE CONTROL	1	
6	90468-18008-00	CLIP	1	
7	69J-44117-00-1S	BRACKET	1	
8	97095-06035-00	BOLT	2	
9	92995-06600-00	WASHER	2	
10	69J-44176-01-1S	BRACKET	1	
11	93700-06M01-00	NIPPLE, GREASE	1	
12	90386-12069-00	BUSH	2	
13	90109-08019-00	BOLT	1	
14	90508-20020-00	SPRING, TORSION	1	
15	60V-8259F-00-00	SWITCH ASSY	1	
16	69J-8259F-00-00	SWITCH ASSY	1	
17	61A-82588-01-00	PLATE	2	
18	97885-04016-00	SCREW, PAN HEAD	4	
19	92995-04100-00	WASHER	4	
20	90465-11M10-00	CLAMP	1	
21	90465-06M86-00	CLAMP	1	
22	90464-09010-00	CLAMP	1	
23	6P2-44121-00-00	LEVER, SHIFT ROD	1	
24	69J-44122-00-00	BUSHING, SHIFT ROD LEVER	1	
25	90202-08M20-00	WASHER, PLATE	1	
26	90468-18008-00	CLIP	2	
27	90386-06M12-00	BUSH	1	
28	69J-44118-00-00	BRACKET	1	
29	648-42715-00-00	BUSHING	1	
30	93501-04M02-00	BALL	1	
31	90501-12082-00	SPRING, COMPRESSION	1	
32	97075-06030-00	BOLT	1	
33	92995-06600-00	WASHER	1	
34	91690-30010-00	PIN, SPRING	1	
35	69J-44120-10-00	HANDLE GEAR SHIFT ASSY	1	U (30.3")
35	69J-44120-00-00	HANDLE GEAR SHIFT ASSY	1	X (25.3")
36	93210-09165-00	O-RING	1	
37	90386-90M90-00	BUSH	2	
38	90201-09M02-00	WASHER, PLATE	1	
39	91490-20015-00	PIN. COTTER	1	
40	6P2-8A410-00-00	SENSOR UNIT	1	
41	6P2-44139-00-00	.COLLAR	3	
42	6P2-41273-00-00	.GROMMET	3	
43	90119-06126-00	BOLT, WITH WASHER	3	
44	6E5-48344-00-00	CABLE END, REMOTE CONTROL	1	
45	90468-18008-00	CLIP	1	

## Part Notes

LF250TURD 2005 / CONTROL

PART NUMBER	NOTE TEXT
90468-18008-00 	OEM: This part number is among the Top 100 Most Popular Marine Maintenance Parts as of February 2013.
90468-18008-00 	OEM: This part number is among the Top 100 Most Popular Marine Maintenance Parts as of February 2013.
90468-18008-00 	OEM: This part number is among the Top 100 Most Popular Marine Maintenance Parts as of February 2013.








## Part List

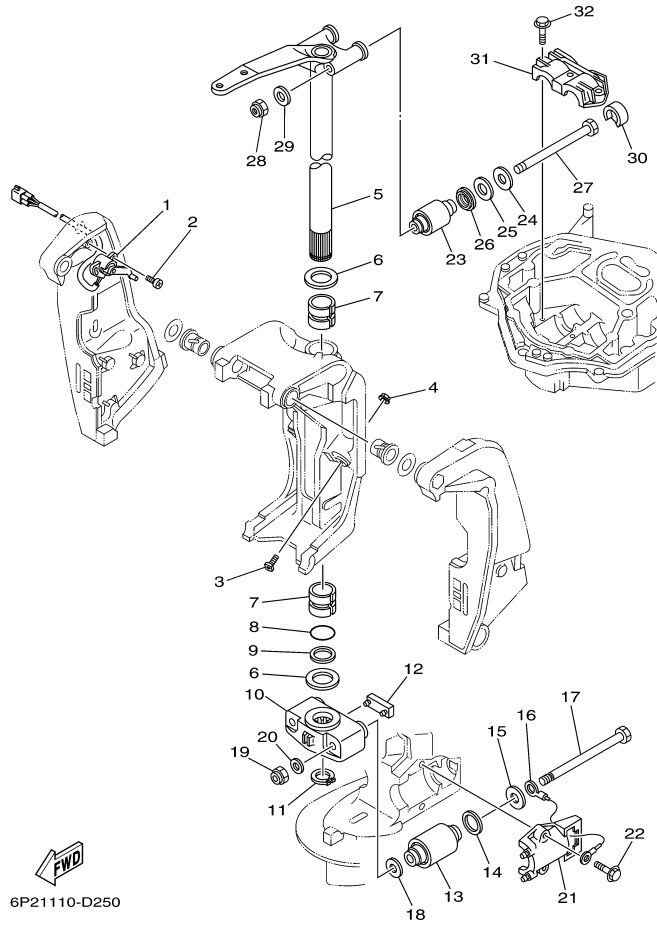
LF250TURD 2005 / BRACKET 1

REF - NO	PART NUMBER	PART NAME	QUANTITY	REMARKS
1	69J-43111-01-8D	BRACKET, CLAMP 1	1	
2	6G5-45251-02-00	ANODE	1	
3	6G5-44526-00-00	PLATE	2	
4	97095-06025-00	BOLT	4	
5	92995-06600-00	WASHER	4	
6	6H1-82148-00-00	WIRE, LEAD 4	1	
7	97095-06010-00	BOLT	1	
8	92995-06600-00	WASHER	1	
9	6E5-82148-00-00	WIRE, LEAD 4	1	
10	97885-06012-00	SCREW, PAN HEAD	1	
11	92995-06600-00	WASHER	1	
12	61A-43132-00-00	WASHER, FRICTION	1	
13	97885-06010-00	SCREW, PAN HEAD	2	
14	69J-43112-01-8D	BRACKET, CLAMP 2	1	
15	61A-43133-00-00	WASHER, FRICTION	1	
16	97885-06010-00	SCREW, PAN HEAD	2	
17	93700-06M03-00	NIPPLE, GREASE	1	
18	90465-08M83-00	CLAMP	1	
19	97885-06012-00	SCREW, PAN HEAD	1	
20	92995-06600-00	WASHER	1	
21	6R3-43131-00-00	BOLT, CLAMP BRACKET	1	
22	90386-25M31-00	BUSH	2	
23	90201-26M59-00	WASHER, PLATE	2	
24	90185-22M11-00	NUT, SELF-LOCKING	1	
25	90465-11M10-00	CLAMP	4	
26	90465-08M83-00	CLAMP	1	
27	97095-06014-00	BOLT	1	
28	92995-06600-00	WASHER	1	
29	90119-10024-00	BOLT, WITH WASHER	8	
30	61A-43311-21-8D	BRACKET, SWIVEL 1	1	
31	93700-06M03-00	NIPPLE, GREASE	5	
32	69J-82147-00-00	WIRE, LEAD 5	1	
33	6G5-43144-00-00	HOOK, SPRING	1	
34	97095-06010-00	BOLT	1	
35	61A-43181-01-00	LEVER, TILT STOP 1	1	
36	6G5-43185-02-00	LEVER, TILT STOP 2	1	
37	90386-10M16-00	BUSH	4	
38	6G5-43148-00-00	COLLAR, DISTANCE	2	
39	90249-06M19-00	PIN	1	
40	90387-10M02-00	COLLAR	1	
41	91690-30020-00	PIN, SPRING	2	
42	90506-16003-00	SPRING, TENSION	1	
43	6E5-43126-02-00	PIN, UPPER SHOCK MOUNT	1	
44	90386-18M63-00	BUSH	2	
45	90386-18M14-00	BUSH	2	
46	93410-18M02-00	CIRCLIP	1	
47	90101-12M77-00	BOLT (L:150MM)	2	UR
47	90101-12M05-00	BOLT (L:130MM)	4	UR
48	90201-13M01-00	WASHER, PLATE	8	
49	90201-12M05-00	WASHER, PLATE	4	
50	95380-12600-00	NUT	8	

## Part Notes

LF250TURD 2005 / BRACKET 1

PART NUMBER	NOTE TEXT
6G5-45251-02-00 	OEM: This part number is among the Top 100 Most Popular Marine Maintenance Parts as of February 2013.
93700-06M03-00 	OEM: This part number is among the Top 100 Most Popular Marine Maintenance Parts as of February 2013.
93700-06M03-00 	OEM: This part number is among the Top 100 Most Popular Marine Maintenance Parts as of February 2013.

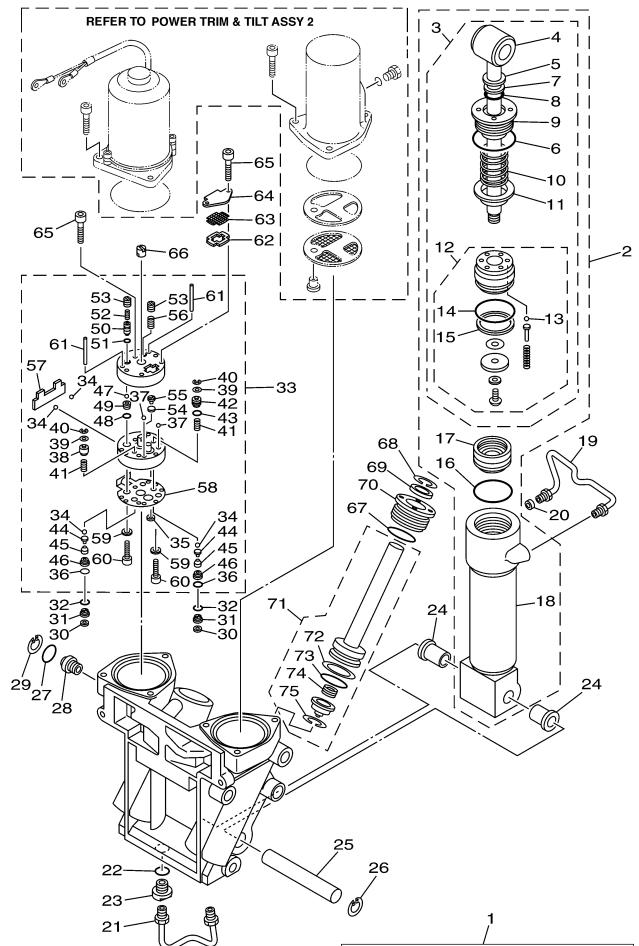


6P21110-D250

## Part List

LF250TURD 2005 / BRACKET 2

REF - NO	PART NUMBER	PART NAME	QUANTITY	REMARKS
1	69J-83672-10-00	TRIM SENDER	1	
2	97885-06016-00	SCREW, PAN HEAD	2	
3	61A-43376-00-00	BOLT, THRUST RECEIVER	2	
4	95780-10300-00	NUT, FLANGE	2	
5	69J-42510-00-8D	STEERING BRACKET ASSY	1	
6	90201-40M00-00	WASHER, PLATE	2	
7	90386-39M89-00	BUSH	2	
8	93210-35321-00	O-RING	1	
9	90202-40M47-00	WASHER, PLATE	1	
10	69J-44551-00-8D	HOUSING, LOWER MOUNT RUBBER 1	1	
11	93410-37M04-00	CIRCLIP	1	
12	61A-44575-00-00	DAMPER, LOWER MOUNT RUBBER	1	
13	60X-44555-00-94	MOUNT DAMPER, LOWER SIDE	2	
14	90202-32M19-00	WASHER, PLATE	2	
15	90201-16016-00	WASHER, PLATE	2	
16	6E5-82149-00-00	WIRE, LEAD 3	1	
17	90101-14002-00	BOLT	2	
18	90201-15M58-00	WASHER, PLATE	2	
19	90185-14M00-00	NUT, SELF-LOCKING	2	
20	92995-14600-00	WASHER	2	
21	61A-44552-01-94	HOUSING, LOWER MOUNT RUBBER	2	
22	90119-10024-00	BOLT, WITH WASHER	4	
23	69J-44514-00-94	MOUNT DAMPER, UPPER SIDE	2	
24	90201-16015-00	WASHER, PLATE	2	
25	90202-28M46-00	WASHER, PLATE	2	
26	69J-44532-00-00	STOPPER, UPPER MOUNT	2	
27	90101-14003-00	BOLT	2	
28	90185-14M00-00	NUT, SELF-LOCKING	2	
29	92995-14600-00	WASHER	2	
30	69J-44533-00-00	DAMPER, UPPER MOUNT RUBBER	2	
31	61A-44511-00-94	COVER, UPPER MOUNT	1	
32	90119-10024-00	BOLT, WITH WASHER	3	



6P21110-D260

**POWER TRIM & TILT ASSY**  
POWER TRIM & TILT ASSY 1, Ref. No. 2 to 75  
POWER TRIM & TILT ASSY 2, Ref. No. 1 to 19

## Part List




LF250TURD 2005 / POWER TRIM &amp; TILT ASSY 1

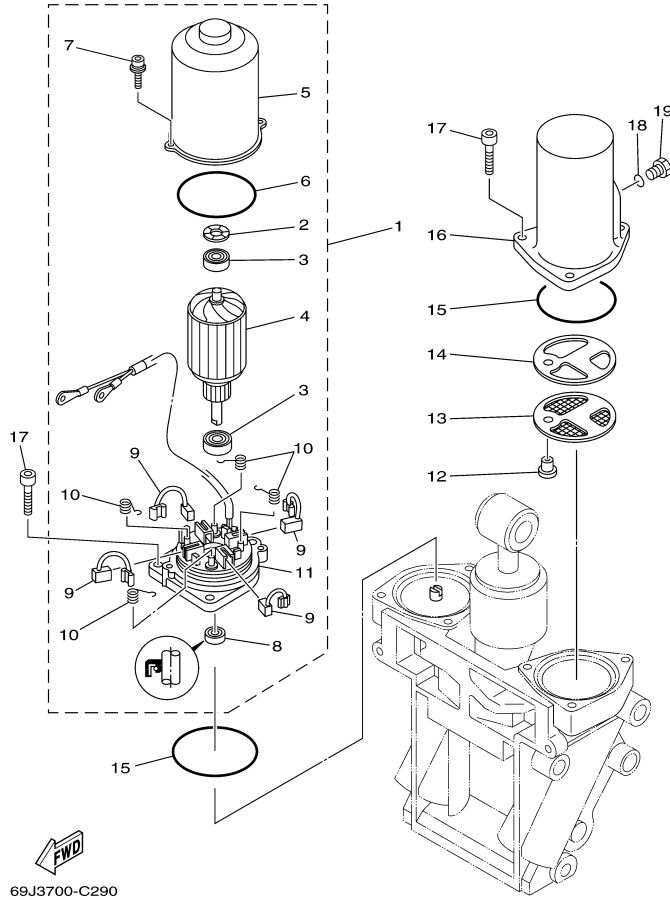
REF - NO	PART NUMBER	PART NAME	QUANTITY	REMARKS
1	69J-43800-01-4D	POWER TRIM & TILT ASSY	1	
2	69J-43840-01-00	POWER TILT ASSY	1	
3	69J-43810-01-00	.TILT PISTON SUB ASSY	1	
4	69J-43801-00-00	..ROD	1	
5	93106-19N50-00	..OIL SEAL	1	
6	6H1-43861-00-00	..O-RING	1	
7	6H1-43872-00-00	..RING, BACK UP	1	
8	61A-4389H-00-00	..O-RING	1	
9	61A-43811-00-00	..SCREW, CYLINDER END	1	
10	69J-4384H-00-00	..SPRING	1	
11	69J-4382E-00-00	..ADAPTOR 2	1	
12	69J-4380P-01-00	..PISTON SUB ASSY	1	
13	93505-32038-00	...BALL	5	
14	61A-43861-00-00	...O-RING	1	
15	61A-43871-00-00	...RING, BACK UP	1	
16	61A-43861-00-00	.O-RING	1	
17	6H1-43814-00-00	.PISTON, FREE	1	
18	61A-43813-01-00	.CYLINDER, TILT	1	
19	61A-43835-01-00	PIPE	1	
20	69J-4388J-00-00	PLUG 2	1	
21	69J-43833-00-00	PIPE	1	
22	93210-17239-00	O-RING	1	
23	69J-4388E-00-00	BOLT ,SCREW	1	
24	90386-18M14-00	BUSH	2	
25	61A-43818-00-00	PIN, LOWER SHOCK MOUNT	1	
26	61A-43876-00-00	RING, SNAP	1	
27	93210-18397-00	O-RING	1	
28	69J-43845-00-00	SCREW, MANUAL RELEASE	1	
29	6H1-43875-00-00	RING, SNAP	1	
30	69J-4381C-00-00	.FILTER 3	2	
31	69J-43899-00-00	PLATE STOPPER	2	
32	69J-4389J-00-00	.O-RING	2	
33	69J-43830-01-00	GEAR PUMP ASSY	1	
34	93505-32038-00	.BALL	4	
35	69J-4381C-00-00	.FILTER 3	1	
36	69J-4389J-00-00	.O-RING	2	
37	93503-16003-00	.BALL	2	
38	69J-4384M-00-00	.PISTON, SHUTTLE 2	1	
39	69A-4384F-00-00	.SEAL, MAIN VALVE	2	
40	99001-03600-00	.CIRCLIP	2	
41	69J-43894-00-00	.SPRING, SHUTTLE RETURN	2	
42	69J-43841-00-00	.PISTON, SHUTTLE	1	
43	6H1-43883-00-00	.O-RING	1	
44	60V-4386A-00-00	.PIN, ABSORBER VALVE	2	
45	69J-43853-00-00	.SPRING, MAIN VALVE	2	
46	69J-43893-00-00	.WASHER	2	
47	93501-08001-00	.BALL	2	
48	93210-08391-00	.O-RING	1	
49	69J-43851-00-00	.SEAT, RELIEF VALVE	1	
50	69J-43844-00-00	.PIN, VALVE SUPPORT	1	
51	93210-064A5-00	.O-RING	1	
52	69J-43855-00-00	.SPRING, UP RELIEF	1	
53	69J-43843-00-00	.SCREW, VALVE LOCK	2	
54	6H1-4384G-11-00	.SEAL, RELIEF VALVE	1	
55	6H1-43844-10-00	.PIN, VALVE SUPPORT	1	
56	6H1-43856-10-00	.SPRING, DOWN RELIEF	1	
57	69J-43854-00-00	.SPRING, MANUAL RELEASE	1	
58	69J-4384G-00-00	.SEAL, RELIEF VALVE	1	
59	CS3-4387G-00-00	.WASHER	2	
60	91318-05025-00	.BOLT	2	
61	93604-35236-00	.PIN, DOWEL	2	
62	69J-43871-00-00	RING, BACK UP	1	
63	69J-43816-00-00	FILTER 1	1	
64	69J-4381J-00-00	PLATE	1	
65	91318-05040-00	BOLT	3	

66	69J-43831-00-00	CONNECTOR, SHAFT	1	
67	61A-43861-00-00	O-RING	2	
68	6T4-43875-01-00	RING, SNAP	2	
69	61A-43822-00-00	SEAL, TRIM DUST	2	
70	61A-43821-00-00	SCREW, TRIM CYLINDER END	2	
71	69J-43820-00-00	TRIM PISTON SUB ASSY	2	
72	61A-43874-00-00	.RING, BACK UP	1	
73	61A-43864-00-00	.O-RING	1	
74	61A-4384H-10-00	.SPRING	1	
75	61A-43875-10-00	.RING, SNAP	1	

## Part Notes

LF250TURD 2005 / POWER TRIM & TILT ASSY 1

PART NUMBER		NOTE TEXT
6T4-43875-01-00		OEM: This part number is among the Top 100 Most Popular Marine Maintenance Parts as of February 2013.
61A-43822-00-00		OEM: This part number is among the Top 100 Most Popular Marine Maintenance Parts as of February 2013.
61A-43821-00-00		OEM: This part number is among the Top 100 Most Popular Marine Maintenance Parts as of February 2013.



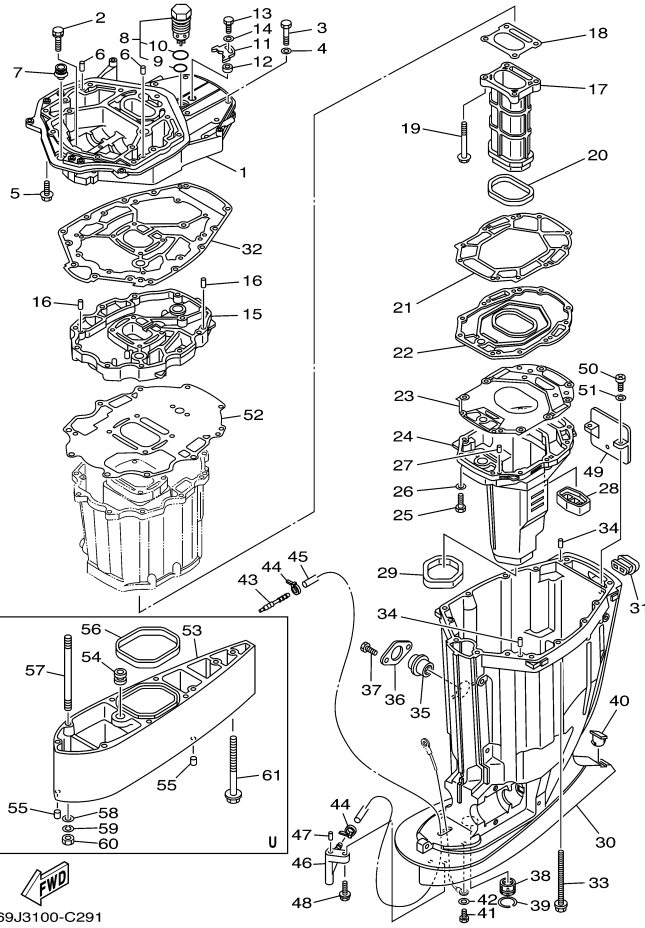
69J3700-C290



## Part List

LF250TURD 2005 / POWER TRIM &amp; TILT ASSY 2

REF - NO	PART NUMBER	PART NAME	QUANTITY	REMARKS
1	69J-43880-00-00	MOTOR ASSY	1	
2	90206-14N50-00	.WASHER, WAVE	1	
3	93399-999T6-00	.BEARING	2	
4	69J-43805-00-00	.ARMATURE ASSY	1	
5	69J-43804-00-00	.STATOR ASSY	1	
6	69J-43861-00-00	.O-RING	1	
7	69J-43886-00-00	.BOLT	2	
8	69J-43882-00-00	.OIL SEAL	1	
9	69J-43891-00-00	.BRUSH 1	4	
10	69J-4386K-00-00	.SPRING, BRUSH	4	
11	69J-43881-00-00	.FRAME, END	1	
12	69J-4388H-00-00	PLUG	1	
13	69J-43817-00-00	FILTER 2	1	
14	69J-4388F-00-00	SPACER	1	
15	6H1-43869-00-00	O-RING	2	
16	69J-43828-00-00	BODY, RESERVOIR	1	
17	69J-43888-00-00	BOLT, SOCKET	6	
18	93210-09165-00	O-RING	1	
19	6H1-43829-00-00	PLUG, RESERVOIR	1	











## Part List

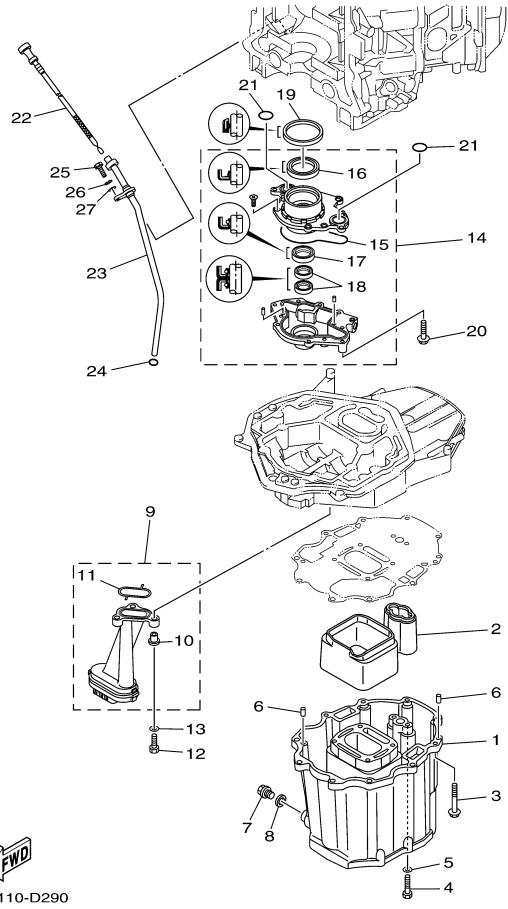
LF250TURD 2005 / UPPER CASING

REF - NO	PART NUMBER	PART NAME	QUANTITY	REMARKS
1	69J-41137-02-94	GUIDE, EXHAUST	1	
2	90119-08M79-00	BOLT, WITH WASHER	2	
3	97075-10045-00	BOLT	7	
4	92995-10600-00	WASHER	7	
5	97575-10535-00	BOLT, WITH WASHER	7	
6	93608-16M16-00	PIN, DOWEL	2	
7	6E5-42724-00-00	GROMMET	1	
8	69J-11371-00-00	PRESSURE CONTROL VALVE ASSY	1	
9	93210-28543-00	.O-RING	1	
10	93210-33MG4-00	.O-RING	1	
11	69J-12233-00-00	PLATE, GUIDE STOPPER 1	1	
12	90387-06037-00	COLLAR	1	
13	97095-06020-00	BOLT	1	
14	92995-06600-00	WASHER	1	
15	69J-41131-10-94	MANIFOLD, EXT. 1	1	
16	93608-16M16-00	PIN, DOWEL	2	
17	69J-41132-10-5B	MANIFOLD, EXHAUST	1	
18	6P2-41134-00-00	.GASKET, EXHAUST MANIFOLD	1	
19	97575-08590-00	BOLT, WITH WASHER	4	
20	69J-41138-00-00	.SEAL, EXT. 1	1	
21	69J-41135-A0-00	.GASKET, EXHAUST MANIFOLD	1	
22	69J-45181-00-5B	PLATE	1	
23	69J-41136-A0-00	.GASKET, EXHAUST MANIFOLD 4	1	
24	69J-14711-10-5B	MUFFLER 1	1	
25	97075-08035-00	BOLT	10	
26	92995-08600-00	WASHER	10	
27	93606-19M23-00	PIN, DOWEL	2	
28	69J-45127-00-00	.SEAL	1	
29	69J-45123-00-00	.GASKET, MUFFLER	1	
30	69J-45111-02-8D	CASING, UPPER	1	
31	69J-42769-00-00	SEAL, RUBBER	1	
32	69J-45113-10-00	.GASKET, UPPER CASING	1	
33	90119-10007-00	BOLT, WITH WASHER	6	
34	93608-16M16-00	PIN, DOWEL	2	
35	69J-15316-00-00	DAMPER 1	1	
36	69J-45152-00-8D	COVER, UPPER CASING 2	1	
37	97095-06014-00	BOLT	2	
38	69J-45318-01-00	BUSHING, DRIVE SHAFT	1	
39	93420-36M01-00	CIRCLIP	1	
40	61A-45155-00-00	CAP	1	
41	97095-06010-00	BOLT	1	
42	92995-06600-00	WASHER	1	
43	6E5-83558-00-00	END, NIPPLE	1	
44	90465-11M10-00	CLAMP	2	
45	90445-07012-00	HOSE (L1457)	1	U (30.3")
45	90445-07010-00	HOSE (L1330)	1	X (25.3")
46	61A-45378-00-00	NIPPLE, HOSE	1	
47	93606-12019-00	PIN, DOWEL	1	
48	90119-06M17-00	BOLT, WITH WASHER	1	
49	69J-14624-01-00	COVER, EXHAUST	1	
50	97880-06016-00	SCREW, PAN HEAD	2	
51	92990-06600-00	WASHER, PLATE	2	
52	69J-15312-01-00	.GASKET, OIL PAN	1	
53	69J-45211-01-8D	EXTENSION	1	U (30.3")
54	6E5-44366-00-00	DAMPER, WATER SEAL 2	1	U (30.3")
55	93608-12M05-00	PIN, DOWEL	2	U (30.3")
56	69J-45159-00-00	DAMPER	1	U (30.3")
57	90116-10012-00	BOLT, STUD	6	U (30.3")
58	92990-10600-00	WASHER, PLATE	6	U (30.3")
59	92990-10100-00	WASHER, SPRING	6	U (30.3")
60	95380-10600-00	NUT	6	U (30.3")
61	90119-10009-00	BOLT, WITH WASHER	1	U (30.3")

# Part Notes

LF250TURD 2005 / UPPER CASING

PART NUMBER	NOTE TEXT
6P2-41134-00-00	 OEM: If you are replacing damaged exhaust components on a 3.1L V6 Fourstroke, two kits have been developed to make choosing and ordering the correct parts easier. Ordering either MAR-EXHKT-03-00 (EXH KIT F200-225 for 2002-2003 models) or MAR-EXHKT-04-00 (EXH KIT F200-250 2004 models and up) will get you everything needed to rebuild the entire exhaust system.
69J-41138-00-00	 OEM: If you are replacing damaged exhaust components on a 3.1L V6 Fourstroke, two kits have been developed to make choosing and ordering the correct parts easier. Ordering either MAR-EXHKT-03-00 (EXH KIT F200-225 for 2002-2003 models) or MAR-EXHKT-04-00 (EXH KIT F200-250 2004 models and up) will get you everything needed to rebuild the entire exhaust system.
69J-41135-A0-00	 OEM: If you are replacing damaged exhaust components on a 3.1L V6 Fourstroke, two kits have been developed to make choosing and ordering the correct parts easier. Ordering either MAR-EXHKT-03-00 (EXH KIT F200-225 for 2002-2003 models) or MAR-EXHKT-04-00 (EXH KIT F200-250 2004 models and up) will get you everything needed to rebuild the entire exhaust system.
69J-45127-00-00	 OEM: If you are replacing damaged exhaust components on a 3.1L V6 Fourstroke, two kits have been developed to make choosing and ordering the correct parts easier. Ordering either MAR-EXHKT-03-00 (EXH KIT F200-225 for 2002-2003 models) or MAR-EXHKT-04-00 (EXH KIT F200-250 2004 models and up) will get you everything needed to rebuild the entire exhaust system.
69J-45123-00-00	 OEM: If you are replacing damaged exhaust components on a 3.1L V6 Fourstroke, two kits have been developed to make choosing and ordering the correct parts easier. Ordering either MAR-EXHKT-03-00 (EXH KIT F200-225 for 2002-2003 models) or MAR-EXHKT-04-00 (EXH KIT F200-250 2004 models and up) will get you everything needed to rebuild the entire exhaust system.
92990-06600-00	 OEM: This part number is among the Top 100 Most Popular Marine Maintenance Parts as of February 2013.
69J-15312-01-00	 OEM: If you are replacing damaged exhaust components on a 3.1L V6 Fourstroke, two kits have been developed to make choosing and ordering the correct parts easier. Ordering either MAR-EXHKT-03-00 (EXH KIT F200-225 for 2002-2003 models) or MAR-EXHKT-04-00 (EXH KIT F200-250 2004 models and up) will get you everything needed to rebuild the entire exhaust system.
92990-10600-00	 OEM: This part number is among the Top 100 Most Popular Marine Maintenance Parts as of February 2013.



6P21110-D290





# Part List

LF250TURD 2005 / OIL PAN

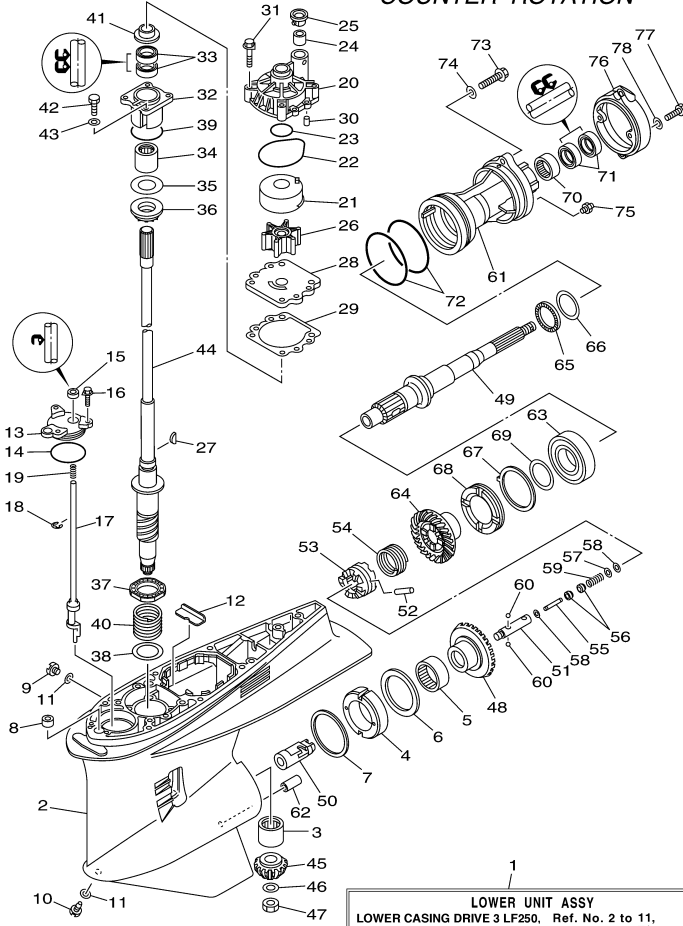
REF - NO	PART NUMBER	PART NAME	QUANTITY	REMARKS
1	69J-15311-00-5B	OIL PAN	1	
2	69J-15761-00-00	SEAL, RUBBER 1	1	
3	97575-08560-00	BOLT, WITH WASHER	10	
4	97095-08035-00	BOLT	2	
5	92995-08600-00	WASHER	2	
6	93608-16M16-00	PIN, DOWEL	2	
7	90340-14M06-00	PLUG, STRAIGHT SCREW	1	
8	90430-14M09-00	.GASKET	1	
9	69J-13411-00-00	STRAINER, OIL	1	
10	90387-06M64-00	.COLLAR	3	
11	69J-13415-00-00	.SEAL, OIL STRAINER	1	
12	97027-06025-00	BOLT, HEXAGON	3	
13	92907-06600-00	WASHER, PLATE	3	
14	69J-13300-00-00	OIL PUMP ASSY	1	
15	69J-13329-00-00	.GASKET, PUMP COVER	1	
16	69J-13338-00-00	.OIL SEAL	1	
17	69J-13119-00-00	.OIL SEAL	1	
18	69J-13631-00-00	.OIL SEAL	2	
19	69J-11355-00-00	.SEAL, CYLINDER 1	1	
20	97575-06540-00	BOLT, WITH WASHER	4	
21	93210-25552-00	.O-RING	2	
22	6P2-15362-00-00	PLUG, OIL LEVEL	1	
23	6P2-15377-00-00	GUIDE, INLET	1	
24	93210-19MJ3-00	.O-RING	1	
25	97095-06020-00	BOLT	1	
26	92995-06100-00	WASHER, SPRING	1	
27	92995-06600-00	WASHER	1	

# Part Notes

LF250TURD 2005 / OIL PAN

PART NUMBER	NOTE TEXT
69J-15761-00-00	 OEM: If you are replacing damaged exhaust components on a 3.1L V6 Fourstroke, two kits have been developed to make choosing and ordering the correct parts easier. Ordering either MAR-EXHKT-03-00 (EXH KIT F200-225 for 2002-2003 models) or MAR-EXHKT-04-00 (EXH KIT F200-250 2004 models and up) will get you everything needed to rebuild the entire exhaust system.
90430-14M09-00	 OEM: This part number is among the Top 100 Most Popular Marine Maintenance Parts as of February 2013.
69J-13411-00-00	 OEM: If you are replacing damaged exhaust components on a 3.1L V6 Fourstroke, two kits have been developed to make choosing and ordering the correct parts easier. Ordering either MAR-EXHKT-03-00 (EXH KIT F200-225 for 2002-2003 models) or MAR-EXHKT-04-00 (EXH KIT F200-250 2004 models and up) will get you everything needed to rebuild the entire exhaust system.
92995-06100-00	 OEM: This part number is among the Top 100 Most Popular Marine Maintenance Parts as of February 2013.

COUNTER ROTATION



6P21110-D321

## Part List

LF250TURD 2005 / LOWER CASING DRIVE 3 LEFT HAND







REF - NO	PART NUMBER	PART NAME	QUANTITY	REMARKS
1	6P3-45300-30-8D	LOWER UNIT ASSY	1	U (30.3"),LH
1	6P3-45300-20-8D	LOWER UNIT ASSY	1	X (25.3"),LH
2	6P2-45301-00-8D	CASING, LOWER	1	
3	93311-832V2-00	BEARING	1	
4	61B-45538-01-00	SPACER 1	1	
5	93315-660W3-00	BEARING	1	
6	93341-670V0-00	BEARING	1	
7	61A-45567-00-00	SHIM (T:0.10MM)	1	UR
7	61A-45567-10-00	SHIM (T:0.12MM)	1	UR
7	61A-45567-20-00	SHIM (T:0.15MM)	1	UR
7	61A-45567-60-00	SHIM (T:0.50MM)	1	UR
7	61A-45567-40-00	SHIM (T:0.30MM)	1	UR
7	61A-45567-50-00	SHIM (T:0.40MM)	1	UR
7	61A-45567-30-00	SHIM (T:0.18MM)	1	UR
8	663-44366-00-00	DAMPER, WATER SEAL 2	1	
9	90340-08002-00	PLUG, STRAIGHT SCREW	1	
10	688-45341-10-00	PLUG, DRAIN	1	
11	90430-08020-00	.GASKET	2	
12	61A-45376-00-94	GUIDE, SEAL DAMPER	1	
13	61A-45321-01-00	PLATE	1	
14	93210-64488-00	O-RING	1	
15	93106-09014-00	.OIL SEAL	1	
16	90119-06M10-00	BOLT, WITH WASHER	3	
17	69K-44150-00-00	SHIFT CAM ASSY	1	
18	99001-08600-00	CIRCLIP	1	
19	90501-11M10-00	SPRING, COMPRESSION	1	
20	61A-44311-01-00	HOUSING, WATER PUMP	1	
21	61A-44322-02-00	.INSERT, CARTRIDGE	1	
22	93210-86M38-00	.O-RING	1	
23	93210-37160-00	.O-RING	1	
24	6E5-44365-00-00	DAMPER, WATER SEAL 1	1	
25	6E5-44312-00-00	COVER, WATER PUMP HOUSING	1	
26	6E5-44352-01-00	.IMPELLER	1	
27	90280-04M05-00	.KEY, WOODRUFF	1	
28	6G5-44323-00-00	.OUTER PLATE, CARTRIDGE	1	
29	6E5-44315-A0-00	.GASKET, WATER PUMP	1	
30	93606-12019-00	PIN, DOWEL	2	
31	90119-08M14-00	.BOLT, WITH WASHER	4	
32	61A-45331-00-94	HOUSING, BEARING	1	
33	93101-28M16-00	.OIL SEAL	2	
34	93317-330U2-00	BEARING	1	
35	61A-45587-00-00	SHIM (T:0.10MM)	1	UR
35	61A-45587-10-00	SHIM (T:0.12MM)	1	UR
35	61A-45587-20-00	SHIM (T:0.15MM)	1	UR
35	61A-45587-60-00	SHIM (T:0.50MM)	1	UR
35	61A-45587-40-00	SHIM (T:0.30MM)	1	UR
35	61A-45587-50-00	SHIM (T:0.40MM)	1	UR
35	61A-45587-30-00	SHIM (T:0.18MM)	1	UR
36	93341-930U9-00	BEARING	1	
37	93341-34019-00	BEARING	1	
38	90201-42014-00	WASHER, PLATE	1	
39	93210-55M14-00	.O-RING	1	
40	90501-450A2-00	SPRING, COMPRESSION	1	
41	6E5-45344-00-00	COVER, OIL SEAL	1	
42	97095-08025-00	BOLT	4	
43	92995-08600-00	WASHER	4	
44	6P2-45501-10-00	DRIVE SHAFT COMP.	1	U (30.3")
44	6P2-45501-00-00	DRIVE SHAFT COMP.	1	X (25.3")
45	6P2-45551-00-00	PINION (15T)	1	
46	90201-16M00-00	WASHER, PLATE	1	
47	90170-16M19-00	NUT	1	
48	6P3-45560-00-00	GEAR 1 (30T)	1	
49	69K-45611-00-00	SHAFT, PROPELLER	1	
50	61B-45641-01-00	SHIFTER	1	



51	61A-45634-01-00	SLIDE, SHIFT	1	
52	61A-45632-00-00	PIN, CROSS	1	
53	69J-45631-00-00	CLUTCH, DOG	1	
54	61A-45633-00-00	RING, CROSS PIN	1	
55	6H1-45668-00-00	SHAFT, FREE 1	1	
56	61A-45635-00-00	PLUNGER, SHIFT	2	
57	90201-02M00-00	WASHER, PLATE	1	
58	90183-02M03-00	NUT, SPRING	2	
59	90501-10M77-00	SPRING, COMPRESSION	1	
60	93501-04011-00	BALL	2	
61	6D1-45332-00-94	HOUSING, BEARING	1	
62	99590-10114-00	PIN, DOWEL	1	
63	93332-00048-00	BEARING	1	
64	6P3-45571-00-00	GEAR 2 (30T)	1	
65	93341-440U5-00	BEARING	1	
66	6K1-45578-01-00	SHIM (T:0.10MM)	1	UR
66	6K1-45578-10-00	SHIM (T:0.12MM)	1	UR
66	6K1-45578-20-00	SHIM (T:0.15MM)	1	UR
66	6K1-45578-60-00	SHIM (T:0.50MM)	1	UR
66	6K1-45578-40-00	SHIM (T:0.30MM)	1	UR
66	6K1-45578-50-00	SHIM (T:0.40MM)	1	UR
66	6K1-45578-30-00	SHIM (T:0.18MM)	1	UR
67	61B-45383-00-00	WASHER, CLAW	1	
68	69K-45384-00-00	NUT	1	
69	69K-45577-00-00	SHIM (T:0.10MM)	1	UR
69	69K-45577-10-00	SHIM (T:0.12MM)	1	UR
69	69K-45577-20-00	SHIM (T:0.15MM)	1	UR
69	69K-45577-60-00	SHIM (T:0.50MM)	1	UR
69	69K-45577-40-00	SHIM (T:0.30MM)	1	UR
69	69K-45577-50-00	SHIM (T:0.40MM)	1	UR
69	69K-45577-30-00	SHIM (T:0.18MM)	1	UR
70	93315-43064-00	BEARING	1	
71	93101-30002-00	.OIL SEAL	2	
72	93211-04384-00	.O-RING	2	
73	90105-08049-00	BOLT, FLANGE	2	
74	90201-08023-00	WASHER, PLATE	2	
75	93700-09M00-00	NIPPLE, GREASE	1	
76	6D0-45361-00-8D	CAP, LOWER CASING	1	
77	97095-08020-00	BOLT	2	
78	92995-08600-00	WASHER	2	

## Part Notes

LF250TURD 2005 / LOWER CASING DRIVE 3 LEFT HAND

PART NUMBER		NOTE TEXT
90430-08020-00		OEM: This part number is among the Top 100 Most Popular Marine Maintenance Parts as of February 2013.
93106-09014-00		OEM: This part number is among the Top 100 Most Popular Marine Maintenance Parts as of February 2013.
61A-44311-01-00		OEM: This part number is among the Top 100 Most Popular Marine Maintenance Parts as of February 2013.
93210-86M38-00		OEM: This part number is among the Top 100 Most Popular Marine Maintenance Parts as of February 2013.
6E5-44352-01-00		OEM: This part number is among the Top 100 Most Popular Marine Maintenance Parts as of February 2013.
93101-28M16-00		OEM: This part number is among the Top 100 Most Popular Marine Maintenance Parts as of February 2013.






# Part List

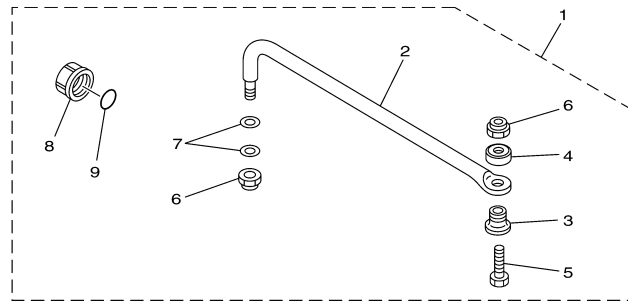
LF250TURD 2005 / LOWER CASING DRIVE 4 LEFT HAND

REF - NO	PART NUMBER	PART NAME	QUANTITY	REMARKS
1	6E5-44365-00-00	DAMPER, WATER SEAL 1	1	
2	6E5-44366-00-00	DAMPER, WATER SEAL 2	1	
3	69J-44361-10-00	TUBE, WATER	1	U (30.3")
3	69J-44361-00-00	TUBE, WATER	1	X (25.3")
4	93608-12M05-00	PIN, DOWEL	2	
5	97095-10045-00	BOLT	7	X (25.3")
6	92995-10100-00	WASHER	7	X (25.3")
7	92995-10600-00	WASHER	7	X (25.3")
8	90119-10008-00	BOLT, WITH WASHER	1	U (30.3")
8	90119-10MA2-00	BOLT, WITH WASHER	1	X (25.3")
9	6D0-45375-00-00	DAMPER, SEAL	1	
10	61A-45214-10-00	COVER, WATER INLET 1	1	
11	61A-45215-10-00	COVER, WATER INLET 2	1	
12	90152-05003-00	SCREW, COUNTERSUNK	1	
13	90185-05002-00	NUT, NYLON	1	
14	61A-45371-00-00	TAB, TRIM	1	
15	90105-10M00-00	BOLT, FLANGE	1	
16	6D0-44367-00-00	DAMPER, WATER SEAL 3	1	
17	6D0-44362-00-00	TUBE, WATER	1	
18	6D0-44365-00-00	DAMPER, WATER SEAL 1	1	
19	6D0-44366-00-00	DAMPER, WATER SEAL 2	1	
20	69J-45987-00-00	SPACER 1	1	
21	688-45997-01-00	SPACER 2	1	
22	92990-18200-00	WASHER	1	
23	90171-18M04-00	NUT, CASTLE	1	
24	91490-40030-00	PIN. COTTER	1	
25	6K1-45972-01-98	PROPELLER (3X13-3/4"X21"-ML)	1	UR
25	6D1-45978-00-00	PROPELLER (3X15-1/2"X17"-TL)	1	UR
25	61B-45974-00-98	PROPELLER (3X14-1/2"X19"-TL)	1	UR
25	61B-45978-00-98	PROPELLER (3X15"X17"-TL)	1	UR
25	61B-45972-00-98	PROPELLER (3X14-1/2"X21"-TL)	1	UR
25	6K1-45974-02-98	PROPELLER (3X13-3/4"X19"-ML1)	1	UR
25	6K1-45978-02-98	PROPELLER (3X13-3/4"X17"-ML1)	1	UR
25	6R1-45976-A0-00	PROPELLER (3X15-1/4"X15"-ML)	1	UR
25	6R1-45978-A0-00	PROPELLER (3X15-1/4"X17"-ML)	1	UR
25	6R1-45970-A0-00	PROPELLER, SS (3 X 15-1/4" X 19"-ML)	1	UR
25	6R1-45972-A0-00	PROPELLER (3X14-7/8"X21"-ML)	1	UR
25	6R1-45974-A0-00	PROPELLER (3X14-1/2"X23"-ML)	1	UR
25	6D1-45970-00-00	PROPELLER (3X15-1/4"X19"-TL)	1	UR
25	6D1-45972-00-00	PROPELLER (3X15"X21"-TL)	1	UR
25	6K1-45970-01-98	PROPELLER (3X15-1/4"X15"-ML)	1	UR

# Part Notes

LF250TURD 2005 / LOWER CASING DRIVE 4 LEFT HAND

PART NUMBER	NOTE TEXT
61A-45371-00-00 	OEM: This part number is among the Top 100 Most Popular Marine Maintenance Parts as of February 2013.
90105-10M00-00 	OEM: This part number is among the Top 100 Most Popular Marine Maintenance Parts as of February 2013.
91490-40030-00 	OEM: This part number is among the Top 100 Most Popular Marine Maintenance Parts as of February 2013.

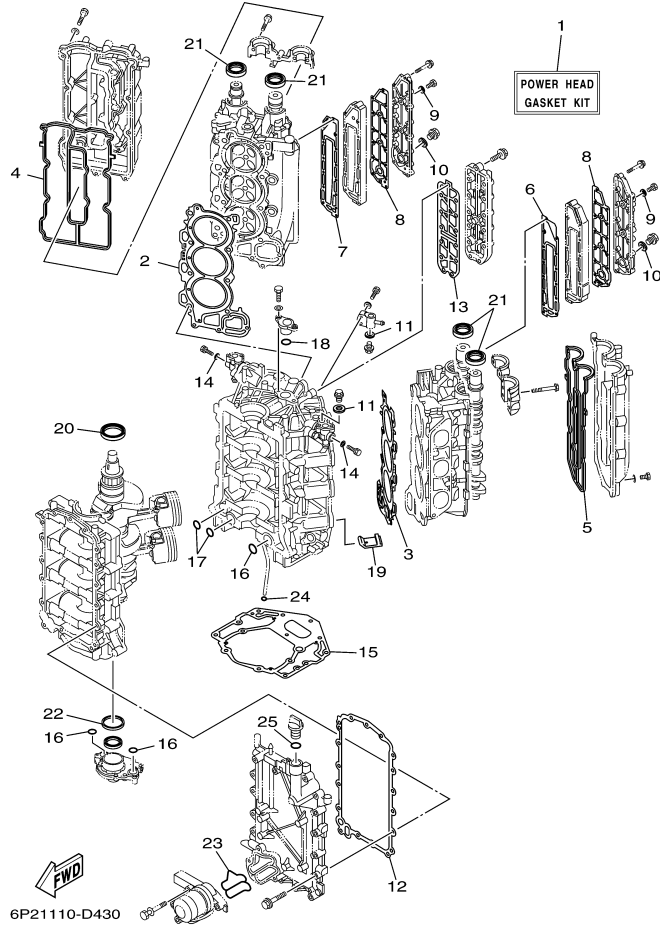


60V2100-C330

# Part List

LF250TURD 2005 / STEERING GUIDE

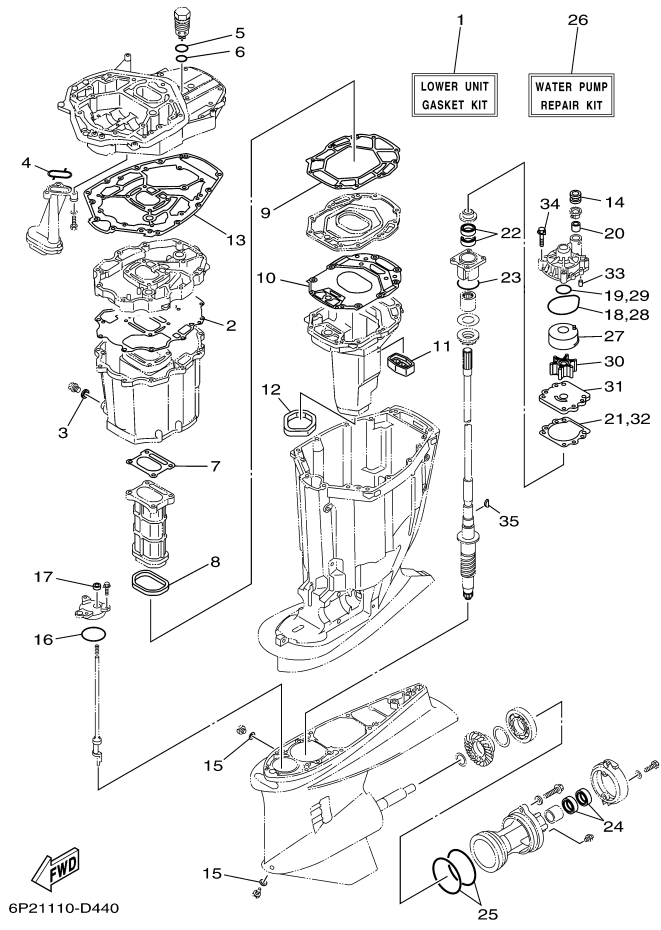
REF - NO	PART NUMBER	PART NAME	QUANTITY	REMARKS
1	6E5-61350-02-00	STEERING GUIDE ATTACHMENT KIT	1	AP
2	6E5-61351-01-00	.ROD, STEERING LINK	1	
3	90387-10M61-00	.COLLAR	1	
4	90560-12M01-00	.SPACER	1	
5	6E5-61355-00-00	.BOLT	1	
6	90185-09M01-00	.NUT, SELF-LOCKING	2	
7	90201-10M20-00	.WASHER, PLATE	2	
8	6E5-43145-01-00	.CAP, CLAMP BRACKET	1	
9	93210-16275-00	.O-RING	1	



## Part List

LF250TURD 2005 / REPAIR KIT 1

REF - NO	PART NUMBER	PART NAME	QUANTITY	REMARKS
1	6P2-W0001-00-00	POWER HEAD GASKET KIT	1	
2	6P2-11181-00-00	.GASKET, CYLINDER HEAD 1	1	
3	6P2-11182-00-00	.GASKET, CYLINDER HEAD 2	1	
4	6P2-11193-00-00	.GASKET, HEAD COVER 1	1	
5	6P2-11194-00-00	.GASKET, HEAD COVER 2	1	
6	6P2-41112-00-00	.GASKET, EXHAUST INNER COVER	1	
7	6P2-41122-00-00	.GASKET, EXHAUST INNER COVER	1	
8	6P2-41114-00-00	.GASKET, EXHAUST OUTER COVER	2	
9	90430-08143-00	.GASKET	4	
10	90430-18130-00	.GASKET	2	
11	90430-14115-00	.GASKET	2	
12	69J-15451-00-00	.GASKET, CRANKCASE COVER 1	1	
13	6P2-1131B-00-00	.GASKET, COVER	1	
14	90430-05002-00	.GASKET	2	
15	69J-11351-11-00	.GASKET, CYLINDER	1	
16	93210-25552-00	.O-RING	3	
17	93210-19MJ1-00	.O-RING	2	
18	93210-25647-00	.O-RING	1	
19	69J-14664-00-00	.GROMMET, WATER SHUT	2	
20	93102-63004-00	.OIL SEAL	1	
21	93102-38M59-00	.OIL SEAL	4	
22	69J-11355-00-00	.SEAL, CYLINDER 1	1	
23	6P2-13477-00-00	.GASKET	1	
24	93210-19MJ3-00	.O-RING	1	
25	93210-24M79-00	.O-RING	1	
















# Part List





LF250TURD 2005 / REPAIR KIT 2

REF - NO	PART NUMBER	PART NAME	QUANTITY	REMARKS
1	6P2-W0001-20-00	LOWER UNIT GASKET KIT	1	
2	69J-15312-01-00	.GASKET, OIL PAN	1	
3	90430-14M09-00	.GASKET	1	
4	69J-13415-00-00	.SEAL, OIL STRAINER	1	
5	93210-33MG4-00	.O-RING	1	
6	93210-28543-00	.O-RING	1	
7	6P2-41134-00-00	.GASKET, EXHAUST MANIFOLD	1	
8	69J-41138-00-00	.SEAL, EXT 1	1	
9	69J-41135-A0-00	.GASKET, EXHAUST MANIFOLD	1	
10	69J-41136-A0-00	.GASKET, EXHAUST MANIFOLD 4	1	
11	69J-45127-00-00	.SEAL	1	
12	69J-45123-00-00	.GASKET, MUFFLER	1	
13	69J-45113-10-00	.GASKET, UPPER CASING	1	
14	6E5-44366-00-00	.DAMPER, WATER SEAL 2	1	
15	90430-08020-00	.GASKET	2	
16	93210-64488-00	.O-RING	1	
17	93106-09014-00	.OIL SEAL	1	
18	93210-86M38-00	.O-RING	1	
19	93210-37160-00	.O-RING	1	
20	6E5-44365-00-00	.DAMPER, WATER SEAL 1	1	
21	6E5-44315-A0-00	.GASKET, WATER PUMP	1	
22	93101-28M16-00	.OIL SEAL	2	
23	93210-55M14-00	.O-RING	1	
24	93101-30002-00	.OIL SEAL	2	
25	93211-04384-00	.O-RING	2	
26	61A-W0078-A3-00	WATER PUMP REPAIR KIT	1	
27	61A-44322-02-00	.INSERT, CARTRIDGE	1	
28	93210-86M38-00	.O-RING	1	
29	93210-37160-00	.O-RING	1	
30	6E5-44352-01-00	.IMPELLER	1	
31	6G5-44323-00-00	.OUTER PLATE, CARTRIDGE	1	
32	6E5-44315-A0-00	.GASKET, WATER PUMP	1	
33	93606-12019-00	.PIN, DOWEL	2	
34	90119-08M14-00	.BOLT, WITH WASHER	4	
35	90280-04M05-00	.KEY, WOODRUFF	1	

# Part Notes

LF250TURD 2005 / REPAIR KIT 2

PART NUMBER	NOTE TEXT
69J-15312-01-00	 OEM: If you are replacing damaged exhaust components on a 3.1L V6 Fourstroke, two kits have been developed to make choosing and ordering the correct parts easier. Ordering either MAR-EXHKT-03-00 (EXH KIT F200-225 for 2002-2003 models) or MAR-EXHKT-04-00 (EXH KIT F200-250 2004 models and up) will get you everything needed to rebuild the entire exhaust system.
90430-14M09-00	 OEM: This part number is among the Top 100 Most Popular Marine Maintenance Parts as of February 2013.
6P2-41134-00-00	 OEM: If you are replacing damaged exhaust components on a 3.1L V6 Fourstroke, two kits have been developed to make choosing and ordering the correct parts easier. Ordering either MAR-EXHKT-03-00 (EXH KIT F200-225 for 2002-2003 models) or MAR-EXHKT-04-00 (EXH KIT F200-250 2004 models and up) will get you everything needed to rebuild the entire exhaust system.
69J-41138-00-00	 OEM: If you are replacing damaged exhaust components on a 3.1L V6 Fourstroke, two kits have been developed to make choosing and ordering the correct parts easier. Ordering either MAR-EXHKT-03-00 (EXH KIT F200-225 for 2002-2003 models) or MAR-EXHKT-04-00 (EXH KIT F200-250 2004 models and up) will get you everything needed to rebuild the entire exhaust system.
69J-41135-A0-00	 OEM: If you are replacing damaged exhaust components on a 3.1L V6 Fourstroke, two kits have been developed to make choosing and ordering the correct parts easier. Ordering either MAR-EXHKT-03-00 (EXH KIT F200-225 for 2002-2003 models) or MAR-EXHKT-04-00 (EXH KIT F200-250 2004 models and up) will get you everything needed to rebuild the entire exhaust system.
69J-45127-00-00	 OEM: If you are replacing damaged exhaust components on a 3.1L V6 Fourstroke, two kits have been developed to make choosing and ordering the correct parts easier. Ordering either MAR-EXHKT-03-00 (EXH KIT F200-225 for 2002-2003 models) or MAR-EXHKT-04-00 (EXH KIT F200-250 2004 models and up) will get you everything needed to rebuild the entire exhaust system.
69J-45123-00-00	 OEM: If you are replacing damaged exhaust components on a 3.1L V6 Fourstroke, two kits have been developed to make choosing and ordering the correct parts easier. Ordering either MAR-EXHKT-03-00 (EXH KIT F200-225 for 2002-2003 models) or MAR-EXHKT-04-00 (EXH KIT F200-250 2004 models and up) will get you everything needed to rebuild the entire exhaust system.
90430-08020-00	 OEM: This part number is among the Top 100 Most Popular Marine Maintenance Parts as of February 2013.
93106-09014-00	 OEM: This part number is among the Top 100 Most Popular Marine Maintenance Parts as of February 2013.
93210-86M38-00	 OEM: This part number is among the Top 100 Most Popular Marine Maintenance Parts as of February 2013.
93101-	 OEM: This part number is among the Top 100 Most Popular Marine Maintenance Parts as of February 2013.

28M16-00		
61A-W0078-A3-00		OEM: This part number is among the Top 100 Most Popular Marine Maintenance Parts as of February 2013.
93210-86M38-00		OEM: This part number is among the Top 100 Most Popular Marine Maintenance Parts as of February 2013.
6E5-44352-01-00		OEM: This part number is among the Top 100 Most Popular Marine Maintenance Parts as of February 2013.