





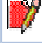

## Part List

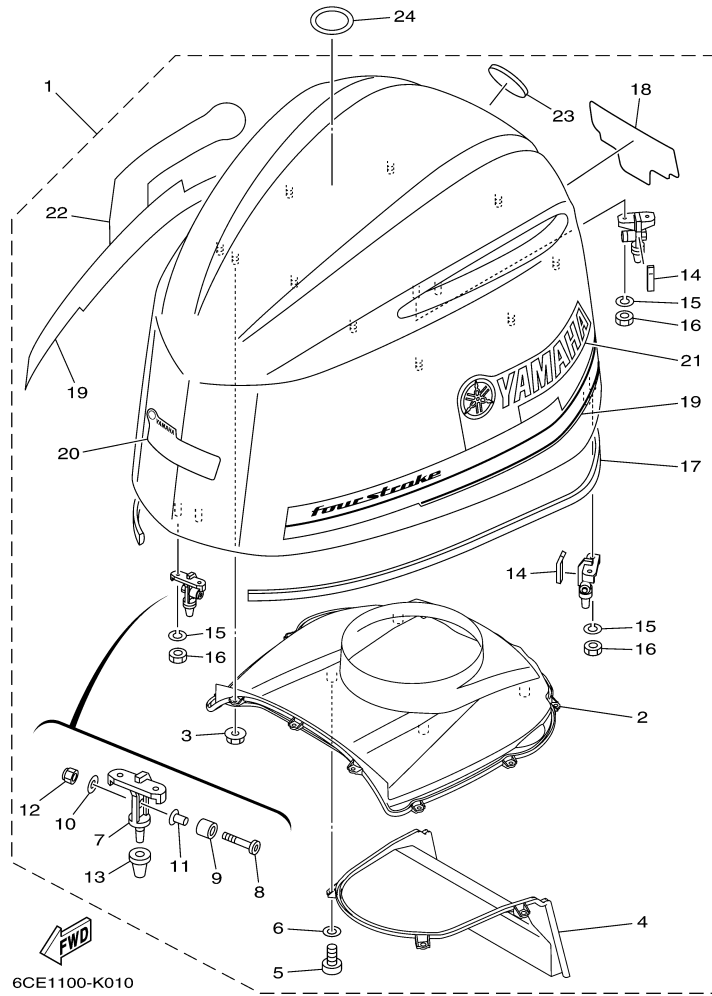
F250DET1X 0210 / SCHEDULED SERVICE PARTS

REF - NO	PART NUMBER	PART NAME	QUANTITY	REMARKS
1	6P3-24564-00-00	.GASKET	1	FUEL 1 (REF 11)
2	6P3-24563-00-00	ELEMENT, FILTER	1	FUEL 1 (REF 12)
3	6CB-13016-00-00	.O-RING	1	FUEL INJECTION PUMP 1 (REF 5)
4	6CB-24501-00-00	FILTER, FUEL	1	FUEL INJECTION PUMP 1 (REF 3)
5	6CB-13915-00-00	FILTER	1	FUEL INJECTION PUMP 1 (REF 19)
6	6CB-14984-00-00	GASKET, FLOAT CHAMBER	1	FUEL INJECTION PUMP 1 (REF 27)
7	N26-13440-00-00	ELEMENT ASSY, OIL CLEANER	1	CYLINDER CRANKCASE 1 (REF 30)
8	90430-14M09-00	.GASKET	1	OIL PAN (REF 5)
9	6CE-12411-00-00	THERMOSTAT	2	CYLINDER CRANKCASE 1 (REF 16)
10	68T-11325-00-00	ANODE	2	CYLINDER CRANKCASE 1 (REF 26)
11	6AW-1132P-00-00	ANODE 5	4	CYLINDER CRANKCASE 1 (REF 24)
12	6AW-1132N-01-00	ANODE 4	2	CYLINDER CRANKCASE 1 (REF 28)
13	6G5-45251-02-00	ANODE	1	BRACKET 1 (REF 2)
14	63P-11325-01-00	ANODE	2	CYLINDER CRANKCASE 1 (REF 14)
15	67F-11325-01-00	.ANODE	8	CYLINDER CRANKCASE 2 (REF 20)
16	NGK-LFR6A-11-00	PLUG, SPARK (NGK LFR6A-11)	6	CYLINDER CRANKCASE 2 (REF 46)
17	90430-08020-00	.GASKET	2	LOWER CASING DRIVE 1 (REF 6)
18	61A-45371-00-00	TAB, TRIM	1	LOWER CASING DRIVE 2 (REF 18)

## Part Notes

F250DET1X 0210 / SCHEDULED SERVICE PARTS

PART NUMBER		NOTE TEXT
6P3-24564-00-00		OEM: This part number is among the Top 100 Most Popular Marine Maintenance Parts as of February 2013.
N26-13440-00-00		OEM: This part number is among the Top 100 Most Popular Marine Maintenance Parts as of February 2013.
90430-14M09-00		OEM: This part number is among the Top 100 Most Popular Marine Maintenance Parts as of February 2013.
6G5-45251-02-00		OEM: This part number is among the Top 100 Most Popular Marine Maintenance Parts as of February 2013.
90430-08020-00		OEM: This part number is among the Top 100 Most Popular Marine Maintenance Parts as of February 2013.
61A-45371-00-00		OEM: This part number is among the Top 100 Most Popular Marine Maintenance Parts as of February 2013.



6CE1100-K010


## Part List

F250DET1X 0210 / TOP COWLING

REF - NO	PART NUMBER	PART NAME	QUANTITY	REMARKS
1	6CG-42610-00-00	TOP COWLING ASSY	1	
2	6CE-42613-00-00	.MOLDING, AIR DUCT	1	
3	90179-06M28-00	.NUT	10	
4	6CE-42635-00-00	.DUCT, WATER SEPARATOR	1	
5	97780-60516-00	.SCREW, TAPPING	4	
6	92990-06200-00	.WASHER, PLAIN	4	
7	6CB-42647-00-00	.HOLDER, CLAMP BAND	3	
8	90111-08078-00	.BOLT, HEX SOCKET BUTTON	3	
9	90387-10094-00	.COLLAR	3	
10	92990-08600-00	.WASHER, PLATE	3	
11	90387-08M45-00	.COLLAR	3	
12	95780-08300-00	.NUT, FLANGE	3	
13	6AW-42663-00-00	.DAMPER	3	
14	6CB-42134-00-00	.COVER	2	
15	92990-06100-00	.WASHER, SPRING	6	
16	95380-06600-00	.NUT, HEXAGON	6	
17	6CB-42628-00-00	.SEAL	1	
18	6CG-42678-00-00	.GRAPHIC, REAR	1	
19	6CE-W0070-00-00	.GRAPHIC SET	1	
20	6CG-42677-00-00	.GRAPHIC, FRONT	1	
21	6CE-42681-00-00	.MARK, COWLING	1	
22	6CE-42682-00-00	.MARK, COWLING	1	
23	6AW-42697-10-00	.TUNING FORK MARK	1	
24	67F-13434-20-00	LABEL, CAUTION	1	

## Part Notes

F250DET1X 0210 / TOP COWLING

PART NUMBER	NOTE TEXT
92990-06200-00 	OEM: This part number is among the Top 100 Most Popular Marine Maintenance Parts as of February 2013.




## Part List

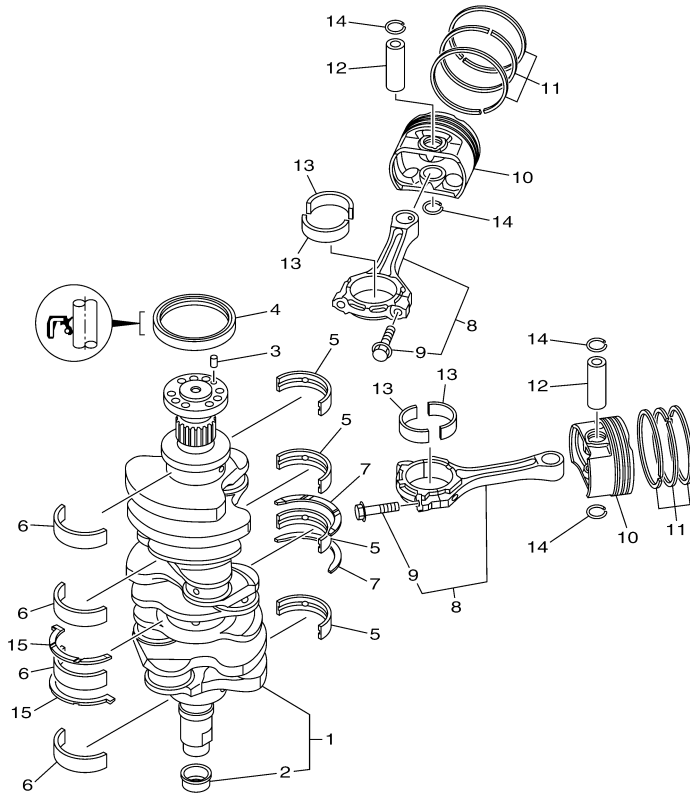
F250DET1X 0210 / CYLINDER CRANKCASE 1

REF - NO	PART NUMBER	PART NAME	QUANTITY	REMARKS
1	6CE-W009B-00-9S	CYLINDER BLOCK ASSY	1	
1	6CE-W009B-02-9S	CYLINDER BLOCK ASSY	1	UR 6CG:1001807-
2	6CE-W1510-01-00	CRANKCASE ASSY	1	UR 6CG:1001807-
2	6CE-15100-00-00	CRANKCASE ASSY	1	
3	93606-12019-00	.PIN, DOWEL	3	
4	93606-12019-00	.PIN, DOWEL	8	
5	6CB-15187-00-00	BOLT	8	
6	6CB-15481-00-00	BOLT 1	8	
7	90105-08175-00	BOLT, FLANGE	16	
8	93210-26658-00	.O-RING	2	
9	6CE-15411-00-9S	COVER, CRANKCASE 1	1	
10	6CE-15421-00-9S	COVER, CRANKCASE 2	1	
11	91690-40010-00	PIN, SPRING	1	
12	6CB-15451-00-00	.GASKET, CRANKCASE COVER 1	2	
13	90105-06151-00	BOLT, FLANGE	12	
14	63P-11325-01-00	ANODE	2	
15	90151-06M02-00	SCREW, COUNTERSUNK	2	
16	6CE-12411-00-00	THERMOSTAT	2	
17	67F-12412-00-00	.SEAL, THERMOSTAT	1	
18	6CB-12413-01-00	COVER, THERMOSTAT	1	
19	6CE-12413-00-9S	COVER, THERMOSTAT	1	
20	6CB-12422-01-00	COVER, HOUSING	2	
21	6CB-12427-00-00	.GASKET, HOUSING COVER 1	2	
22	90105-06037-00	BOLT, FLANGE	10	
23	6CB-11351-00-00	.GASKET, CYLINDER	1	
24	6AW-1132P-00-00	ANODE 5	4	
25	98780-06530-00	SCREW, FLAT HEAD	4	
26	68T-11325-00-00	ANODE	2	
27	90151-05M05-00	SCREW, COUNTERSUNK	2	
28	6AW-1132N-01-00	ANODE 4	2	
29	98780-06550-00	SCREW, FLAT HEAD	2	
30	N26-13440-00-00	ELEMENT ASSY, OIL CLEANER	1	
31	90401-19001-00	BOLT, UNION	1	
32	6CE-13446-00-9S	CONNECTOR	1	
33	6CE-13881-00-9S	COVER 1	1	
34	6CB-13477-00-00	.GASKET	1	
35	6CE-13475-00-00	GASKET	1	
36	90105-06056-00	BOLT, FLANGE	5	
37	90465-08M82-00	CLAMP	1	
38	90105-06037-00	BOLT, FLANGE	1	
39	6G8-15363-00-00	PLUG, OIL	1	
40	93210-24M79-00	.O-RING	1	
41	6CB-15319-00-00	JOINT	1	
42	93210-27370-00	O-RING	1	
43	90105-06037-00	BOLT, FLANGE	2	

## Part Notes

F250DET1X 0210 / CYLINDER CRANKCASE 1

PART NUMBER	NOTE TEXT
N26-13440-00-00 	OEM: This part number is among the Top 100 Most Popular Marine Maintenance Parts as of February 2013.



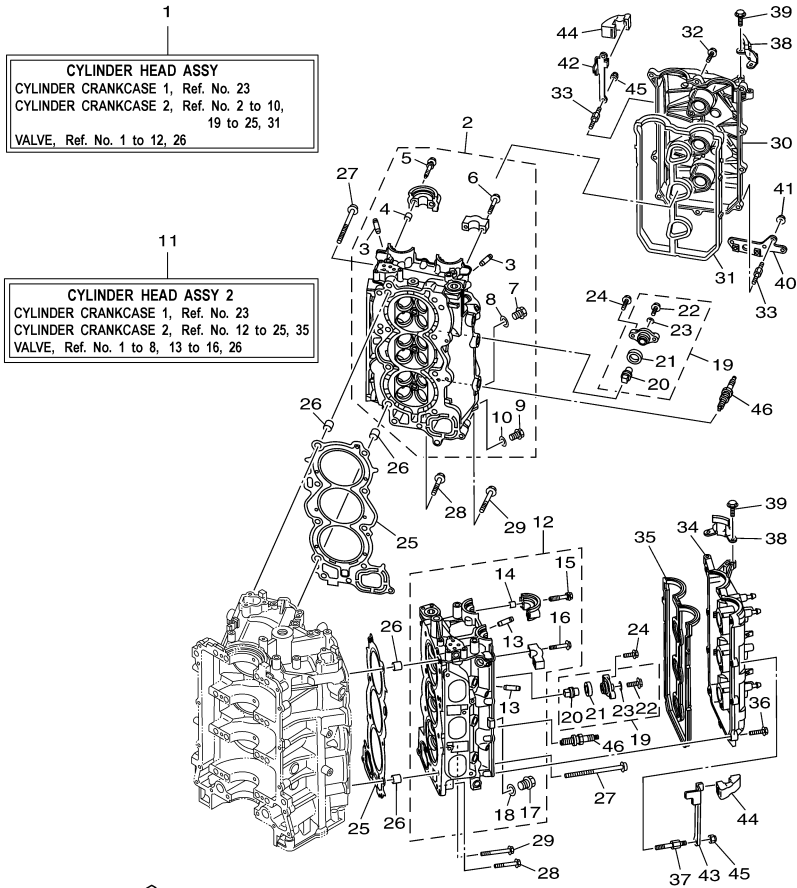
6CB1171J0301

## Part List

F250DET1X 0210 / CRANKSHAFT PISTON

REF - NO	PART NUMBER	PART NAME	QUANTITY	REMARKS
1	6CB-11410-00-00	CRANKSHAFT	1	
2	6CB-11478-00-00	.COLLAR	1	
3	93606-12019-00	PIN, DOWEL	1	
4	93102-85008-00	.OIL SEAL	1	
5	6CB-11416-30-00	PLANE BEARING, CRANKSHAFT 1	4	UR GREEN
5	6CB-11416-10-00	PLANE BEARING, CRANKSHAFT 1	4	UR YELLOW
5	6CB-11416-40-00	PLANE BEARING, CRANKSHAFT 1	4	UR BROWN
5	6CB-11416-00-00	PLANE BEARING, CRANKSHAFT 1	4	UR PURPLE
5	6CB-11416-20-00	PLANE BEARING, CRANKSHAFT 1	4	UR RED
6	6CB-11417-10-00	PLANE BEARING, CRANKSHAFT 2	4	UR YELLOW
6	6CB-11417-20-00	PLANE BEARING, CRANKSHAFT 2	4	UR RED
6	6CB-11417-30-00	PLANE BEARING, CRANKSHAFT 2	4	UR GREEN
6	6CB-11417-40-00	PLANE BEARING, CRANKSHAFT 2	4	UR BROWN
6	6CB-11417-00-00	PLANE BEARING, CRANKSHAFT 2	4	UR PURPLE
7	6CB-11426-01-00	BEARING, THRUST 1	2	UR 6CG:1001807-
7	6CB-11426-00-00	BEARING, THRUST 1	2	
8	6CB-W1165-00-00	CONNECTING ROD ASSY	6	
9	6CB-11654-00-00	.BOLT, CONNECTING ROD	2	
10	6CE-11631-00-00	PISTON (STD)	6	
11	6CB-11603-00-00	PISTON RING SET (STD)	6	
12	6CB-11633-00-00	PIN, PISTON	6	
13	6CB-11656-10-00	PLANE BEARING, CONNECTING ROD	12	UR GREEN
13	6CB-11656-20-00	PLANE BEARING, CONNECTING ROD	12	UR BLUE
13	6CB-11656-00-00	PLANE BEARING, CONNECTING ROD	12	UR YELLOW
14	K0F-A3233-00-00	RING,HOLE SNAP	12	
15	6CB-11427-00-00	BEARING, THRUST 2	2	UR 6CG:1001807-





6CE1100-K040


## Part List

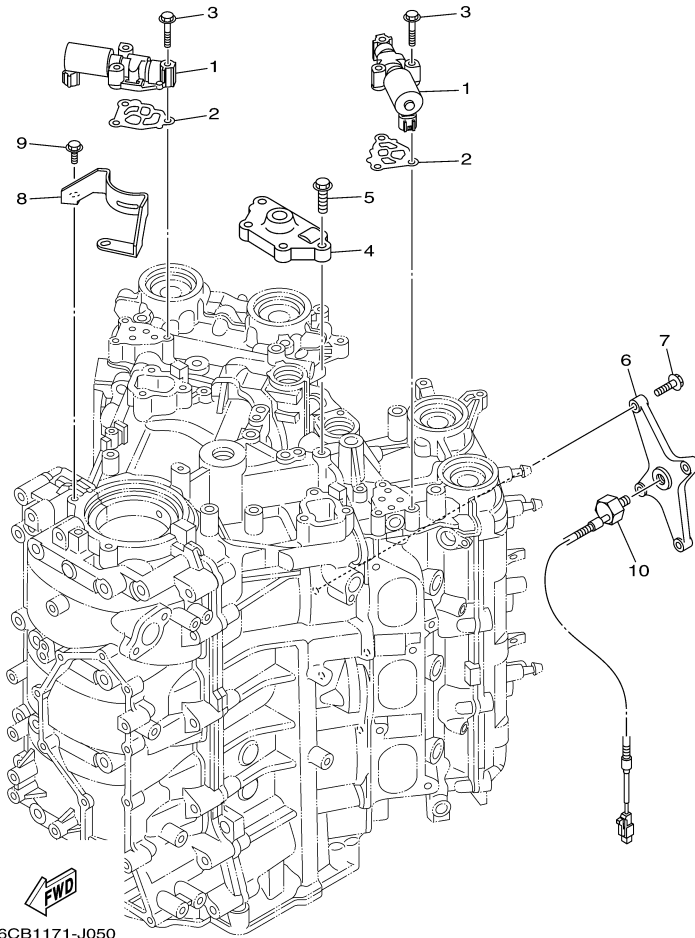
F250DET1X 0210 / CYLINDER CRANKCASE 2

REF - NO	PART NUMBER	PART NAME	QUANTITY	REMARKS
1	6CE-W009A-00-9S	CYLINDER HEAD COMPLETE	1	
2	6CE-11110-00-9S	CYLINDER HEAD ASSY	1	
3	6S5-11133-10-00	.GUIDE, VALVE 1	12	
4	91809-08006-00	.PIN, DOWEL	4	
5	90119-07001-00	.BOLT, WITH WASHER	4	
6	90119-07234-00	.BOLT, WITH WASHER	12	
7	90340-18M09-00	.PLUG, STRAIGHT SCREW	1	
8	90430-18130-00	.GASKET	1	
9	90340-14M06-00	.PLUG, STRAIGHT SCREW	1	
10	90430-14115-00	.GASKET	1	
11	6CE-W009C-00-9S	CYLINDER HEAD 2 COMPLETE	1	
12	6CE-11120-00-9S	CYLINDER HEAD ASSY 2	1	
13	6S5-11133-10-00	.GUIDE, VALVE 1	12	
14	91809-08006-00	.PIN, DOWEL	4	
15	90119-07001-00	.BOLT, WITH WASHER	4	
16	90119-07234-00	.BOLT, WITH WASHER	12	
17	90340-18M09-00	.PLUG, STRAIGHT SCREW	1	
18	90430-18130-00	.GASKET	1	
19	67F-11301-00-00	ANODE COVER ASSY	8	
20	67F-11325-01-00	.ANODE	1	
21	67F-11328-00-00	.GROMMET, ANODE	1	
22	90105-06M07-00	.BOLT, FLANGE	1	
23	90430-06M03-00	.GASKET	1	
24	95885-08025-00	BOLT, FLANGE	16	
25	6CB-11181-00-00	.GASKET, CYLINDER HEAD 1	2	
26	90387-11005-00	COLLAR	4	
27	90155-11002-00	SCREW, FLAT FILLISTER	16	
28	90105-08175-00	BOLT, FLANGE	4	
29	90105-08220-00	BOLT, FLANGE	2	
30	6CB-11191-01-00	COVER, CYLINDER HEAD 1	1	
31	6CB-11193-00-00	.GASKET, HEAD COVER 1	1	
32	95895-06030-00	BOLT, FLANGE	9	
33	90109-06277-00	BOLT	4	
34	6CB-11192-01-00	COVER, CYLINDER HEAD 2	1	
35	6CB-11194-00-00	.GASKET, HEAD COVER 2	1	
36	95895-06030-00	BOLT, FLANGE	11	
37	90109-06277-00	BOLT	2	
38	6AW-15142-00-00	GUIDE 1	2	
39	95885-06014-00	BOLT, FLANGE	4	
40	6CB-2134V-00-00	BRACKET	1	
41	90179-06M28-00	NUT	2	
42	6CB-11998-00-00	BRACKET 1	1	
43	6CB-11999-00-00	BRACKET 2	1	
44	6CB-42662-00-00	DAMPER	2	
45	90185-06M07-00	NUT, SELF-LOCKING	4	
46	NGK-LFR6A-11-00	PLUG, SPARK (NGK LFR6A-11)	6	

## Part Notes

F250DET1X 0210 / CYLINDER CRANKCASE 2

PART NUMBER	NOTE TEXT
67F-11328-00-00 	OEM: This part number is among the Top 100 Most Popular Marine Maintenance Parts as of February 2013.

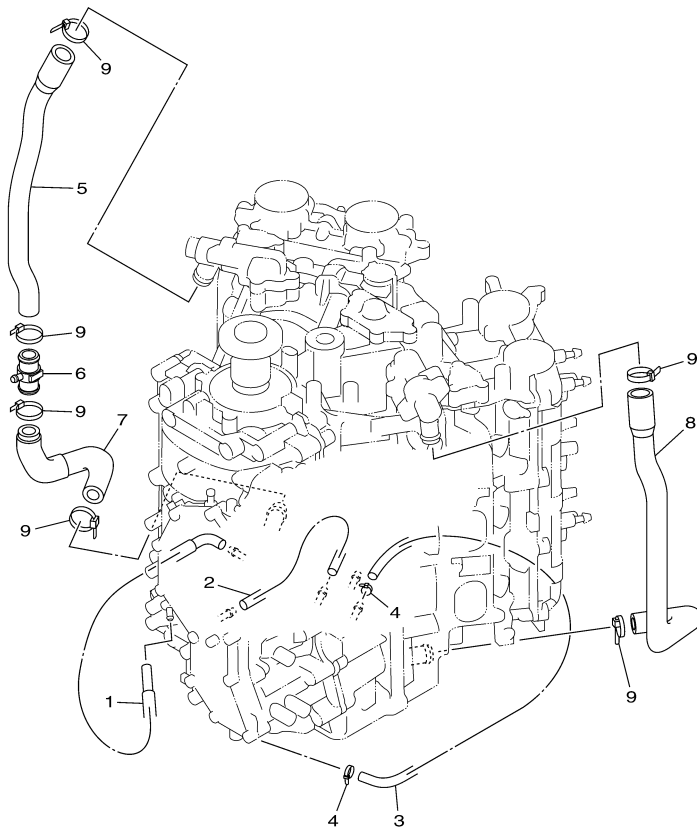


6CB1171-J050

# Part List

F250DET1X 0210 / CYLINDER CRANKCASE 3

REF - NO	PART NUMBER	PART NAME	QUANTITY	REMARKS
1	6CB-86120-00-00	SOLENOID VALVE ASSY	2	
2	6CB-1242F-00-00	.GASKET, FILTER	2	
3	90105-06035-00	BOLT, FLANGE	6	
4	6CB-15544-00-00	STAY 1	1	
5	90105-08178-00	BOLT, FLANGE	4	
6	6CB-1135A-00-00	BRACKET	1	
7	90105-06037-00	BOLT, FLANGE	4	
8	6CB-15142-00-00	GUIDE 1	1	
9	95885-06014-00	BOLT, FLANGE	2	
10	6P2-85780-00-00	SENSOR, KNOCK	1	

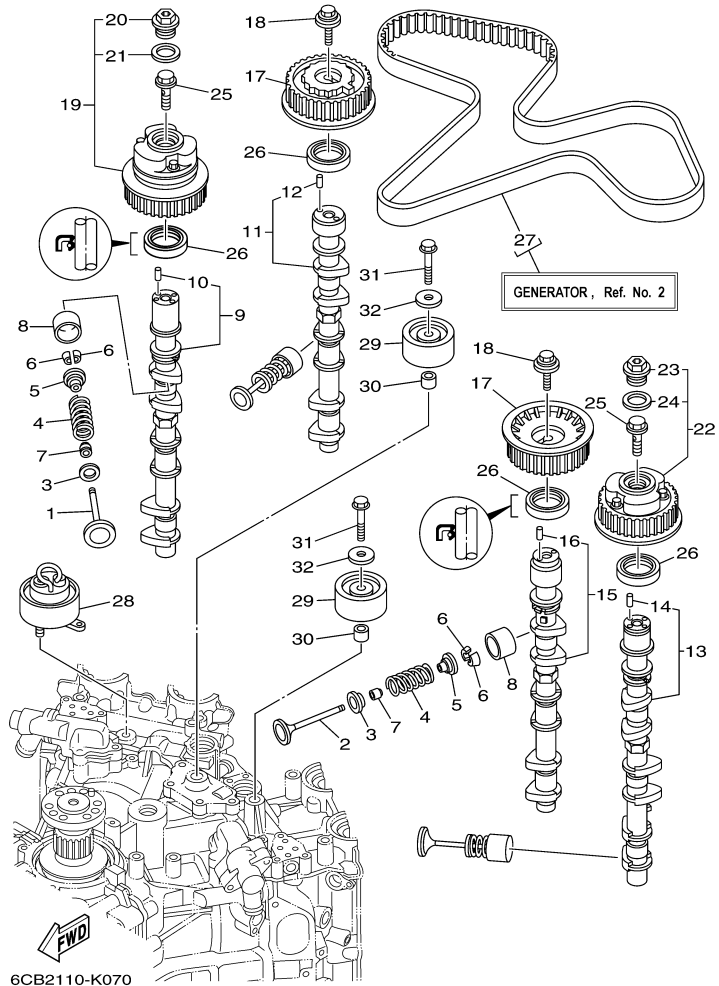


  
6CE1100-K060

# Part List

F250DET1X 0210 / CYLINDER CRANKCASE 4

REF - NO	PART NUMBER	PART NAME	QUANTITY	REMARKS
1	6CE-12576-00-00	HOSE 1	1	
2	90445-09104-00	HOSE (L300)	1	
3	90445-093G9-00	HOSE (L1100)	1	
4	90465-11M10-00	CLAMP	2	
5	6CE-1244G-00-00	HOSE, 4	1	
6	6CE-24378-00-00	PIPE, JOINT 3	1	
7	6CE-1244H-00-00	HOSE 5	1	
8	6CB-1243E-00-00	HOSE 2	1	
9	90465-11M59-00	CLAMP	6	



6CB2110-K070

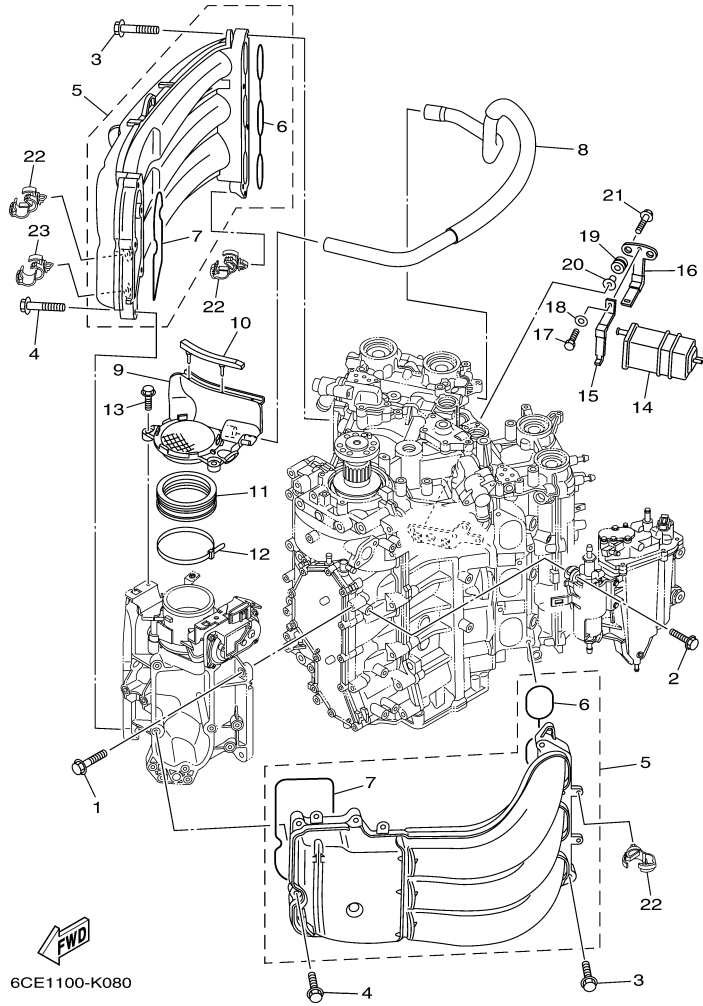
## Part List

F250DET1X 0210 / VALVE

REF - NO	PART NUMBER	PART NAME	QUANTITY	REMARKS
1	6CB-12111-00-00	VALVE, INTAKE	12	
2	6CB-12121-00-00	VALVE, EXHAUST	12	
3	K0F-A3743-00-00	SEAT, VALVE SPRING	24	
4	6CB-12113-00-00	SPRING, VALVE INNER	24	
5	K0F-A3741-00-00	RETAINER, VALVE SPRING	24	
6	K0F-A3742-00-00	LOCK, VALVE SPRING RETAINER	48	
7	51Y-12119-00-00	SEAL, VALVE STEM	24	
8	K0F-A3751-00-00	LIFTER, VALVE (3.000)	24	UR
8	K0F-A3751-10-00	LIFTER, VALVE (3.025)	24	UR
8	K0F-A3751-20-00	LIFTER, VALVE (3.050)	24	UR
8	K0F-A3751-30-00	LIFTER, VALVE (3.075)	24	UR
8	K0F-A3751-40-00	LIFTER, VALVE (3.100)	24	UR
8	K0F-A3751-50-00	LIFTER, VALVE (3.122)	24	UR
8	K0F-A3751-60-00	LIFTER, VALVE (3.142)	24	UR
8	K0F-A3751-70-00	LIFTER, VALVE (3.162)	24	UR
8	K0F-A3751-80-00	LIFTER, VALVE (3.182)	24	UR
8	K0F-A3751-90-00	LIFTER, VALVE (3.202)	24	UR
8	K0F-A3751-A0-00	LIFTER, VALVE (3.222)	24	UR
8	K0F-A3751-B0-00	LIFTER, VALVE (3.242)	24	UR
8	K0F-A3751-C0-00	LIFTER, VALVE (3.262)	24	UR
8	K0F-A3751-D0-00	LIFTER, VALVE (3.282)	24	UR
8	K0F-A3751-E0-00	LIFTER, VALVE (3.302)	24	UR
8	K0F-A3751-F0-00	LIFTER, VALVE (3.322)	24	UR
8	K0F-A3751-G0-00	LIFTER, VALVE (3.342)	24	UR
8	K0F-A3751-H0-00	LIFTER, VALVE (3.362)	24	UR
8	K0F-A3751-J0-00	LIFTER, VALVE ((3.382)	24	UR
8	K0F-A3751-K0-00	LIFTER, VALVE (3.402)	24	UR
8	K0F-A3751-L0-00	LIFTER, VALVE (3.422)	24	UR
8	K0F-A3751-M0-00	LIFTER, VALVE (3.442)	24	UR
8	K0F-A3751-N0-00	LIFTER, VALVE (3.462)	24	UR
8	K0F-A3751-P0-00	LIFTER, VALVE (3.482)	24	UR
8	K0F-A3751-R0-00	LIFTER, VALVE (3.502)	24	UR
8	K0F-A3751-S0-00	LIFTER, VALVE (3.522)	24	UR
8	K0F-A3751-T0-00	LIFTER, VALVE (3.542)	24	UR
8	K0F-A3753-00-00	LIFTER, VALVE (3.562)	24	UR
8	K0F-A3753-10-00	LIFTER, VALVE (3.582)	24	UR
8	K0F-A3753-20-00	LIFTER, VALVE (3.602)	24	UR
8	K0F-A3753-30-00	LIFTER, VALVE (3.625)	24	UR
8	K0F-A3753-40-00	LIFTER, VALVE (3.650)	24	UR
8	K0F-A3753-50-00	LIFTER, VALVE (3.675)	24	UR
8	K0F-A3753-60-00	LIFTER, VALVE (3.700)	24	UR
8	K0F-A3753-70-00	LIFTER, VALVE (3.725)	24	UR
9	6CB-12171-00-00	CAMSHAFT 1	1	
10	93605-10108-00	.PIN, DOWEL	1	
11	6CB-12181-00-00	CAMSHAFT 2	1	
12	93605-10108-00	.PIN, DOWEL	1	
13	6CB-12172-00-00	CAMSHAFT 3	1	
14	93605-10108-00	.PIN, DOWEL	1	
15	6CB-12182-00-00	CAMSHAFT 4	1	
16	93605-10108-00	.PIN, DOWEL	1	
17	6CB-11567-00-00	GEAR, DRIVEN 2	2	
18	90119-10050-00	BOLT, WITH WASHER	2	
19	6CB-12645-00-00	PULLEY ASSY 1	1	
20	6P2-12623-00-00	.BOLT	1	
21	6P2-12663-00-00	.GASKET	1	
22	6CB-1264A-00-00	PULLEY ASSY 2	1	
23	6P2-12623-00-00	.BOLT	1	
24	6P2-12663-00-00	.GASKET	1	
25	6P2-12615-00-00	BOLT	2	



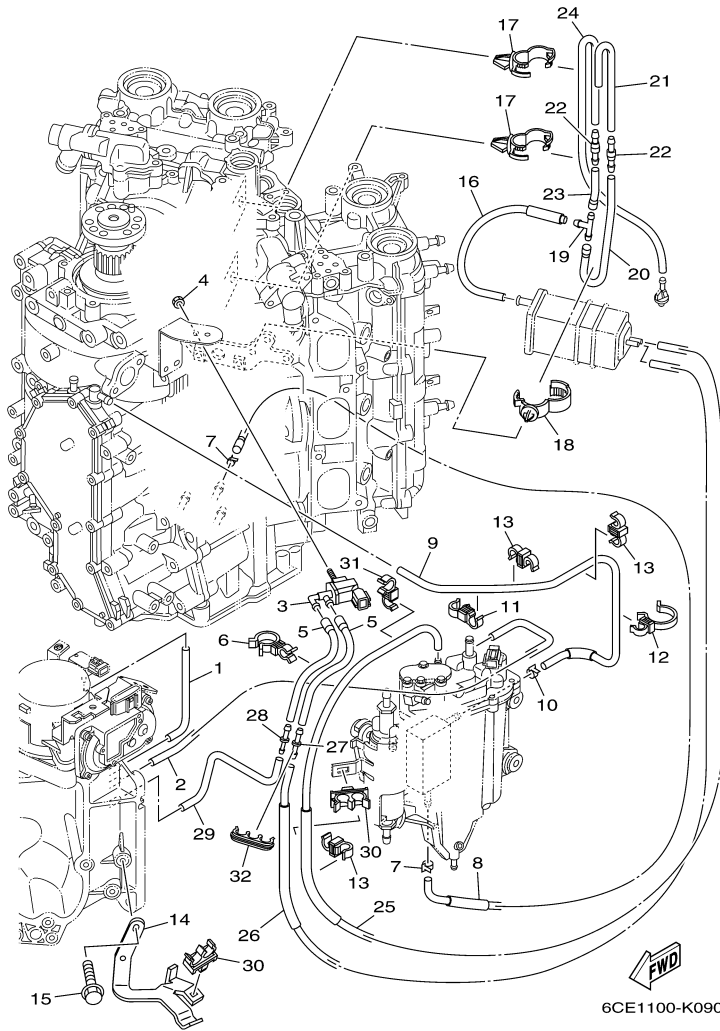
26	93102-38008-00	.OIL SEAL	4	
27	6CB-W4624-00-00	BELT (WITH ROTOR BOLTS)	1	
28	6CB-11590-00-00	TENSIONER ASSY	1	
29	6CB-15512-00-00	GEAR, IDLER 1	2	
30	90387-10M08-00	COLLAR	2	
31	90119-10M07-00	BOLT, WITH WASHER	2	
32	90201-10M01-00	WASHER, PLATE	2	



## Part List

F250DET1X 0210 / INTAKE 1

REF - NO	PART NUMBER	PART NAME	QUANTITY	REMARKS
1	95875-08030-00	BOLT, FLANGE	4	
2	90119-06M24-00	BOLT, WITH WASHER	4	
3	90119-08020-00	BOLT, WITH WASHER	8	
4	90105-06035-00	BOLT, FLANGE	10	
5	6CE-13641-00-00	MANIFOLD, INTAKE 1	2	
6	6CB-13645-00-00	.GASKET, MANIFOLD 1	1	NOTE: 1 PER MANIFOLD
7	6CB-13646-00-00	.GASKET, MANIFOLD 2	1	NOTE: 1 PER MANIFOLD
8	6CB-15373-00-00	PIPE, BREATHER	1	
9	6CB-14440-00-00	SILENCER ASSY, INTAKE	1	
10	6CB-85547-00-00	DAMPER	1	
11	6AW-1441J-00-00	PIPE, SILENCER	1	
12	90464-99004-00	CLAMP	1	
13	95895-06020-00	BOLT, FLANGE	2	
14	69J-24170-00-00	CANISTER ASSY	1	
15	69J-2419A-01-00	HOLDER	1	
16	69J-2134X-00-00	BRACKET, CANISTER	1	
17	97095-06016-00	BOLT	1	
18	92995-06600-00	WASHER	1	
19	90480-10M23-00	GROMMET	2	
20	90387-06M60-00	COLLAR	2	
21	90119-06M17-00	BOLT, WITH WASHER	2	
22	90464-13249-00	CLAMP	8	
23	90464-20181-00	CLAMP	1	

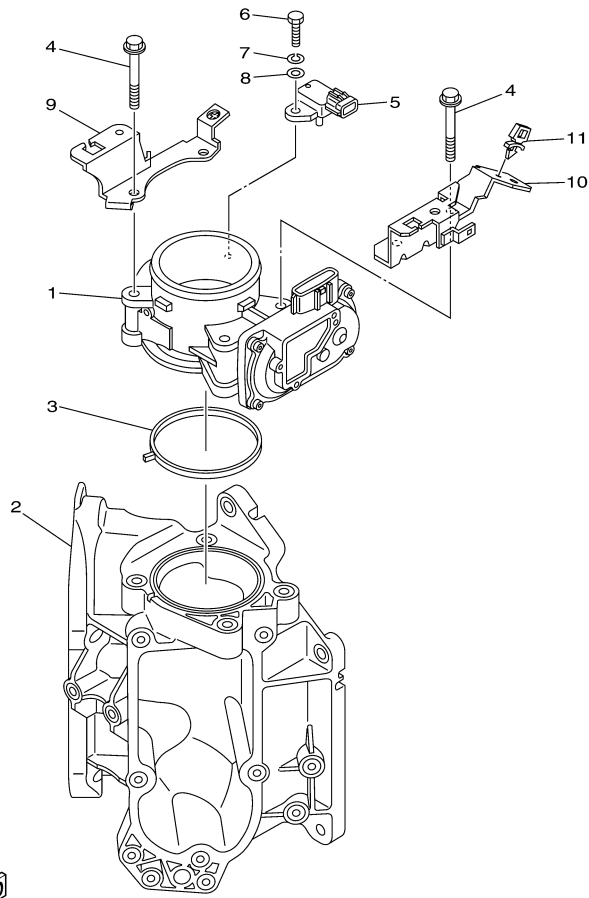


6CE1100-K090

## Part List

F250DET1X 0210 / INTAKE 2

REF - NO	PART NUMBER	PART NAME	QUANTITY	REMARKS
1	6CB-13533-00-00	HOSE, VACUUM SENSING 4	1	
2	6CB-13532-00-00	HOSE, VACUUM SENSING 3	1	
3	6C5-86120-00-00	SOLENOID VALVE ASSY	1	
4	95380-06600-00	NUT, HEXAGON	1	
5	6CB-2416A-00-00	HOSE	2	
6	90464-23001-00	CLAMP	2	
7	90465-11M10-00	CLAMP	2	
8	6CE-12482-00-00	PIPE 2	1	
9	6CB-12484-00-00	PIPE 4	1	
10	90465-11M10-00	CLAMP	1	
11	90464-12010-00	CLAMP	1	
12	90464-26002-00	CLAMP	1	
13	90464-09013-00	CLAMP	3	
14	6CB-13782-00-00	STAY	1	
15	95895-06016-00	BOLT, FLANGE	2	
16	6CB-13545-00-00	HOSE 1	1	
17	90464-20181-00	CLAMP	2	
18	90464-12183-00	CLAMP	1	
19	688-24378-00-00	PIPE, JOINT 3	1	
20	6CB-13546-00-00	HOSE 2	1	
21	6CB-13547-00-00	HOSE 3	1	
22	6E5-21744-00-00	BREATHER	2	
23	6CB-13548-00-00	HOSE, AIR 4	1	
24	6CB-12483-00-00	PIPE 3	1	
25	6CB-1475A-00-00	PIPE 1	1	
26	6CB-1475F-00-00	PIPE 3	1	
27	6G8-24376-00-00	PIPE, JOINT 1	1	
28	6CB-14989-00-00	ORIFICE, AIR VENT	1	
29	6CB-1475G-00-00	PIPE 4	1	
30	90464-11012-00	CLAMP	2	
31	90464-12010-00	CLAMP	1	
32	90464-10011-00	CLAMP	1	



  
6CB1171-J100


## Part List

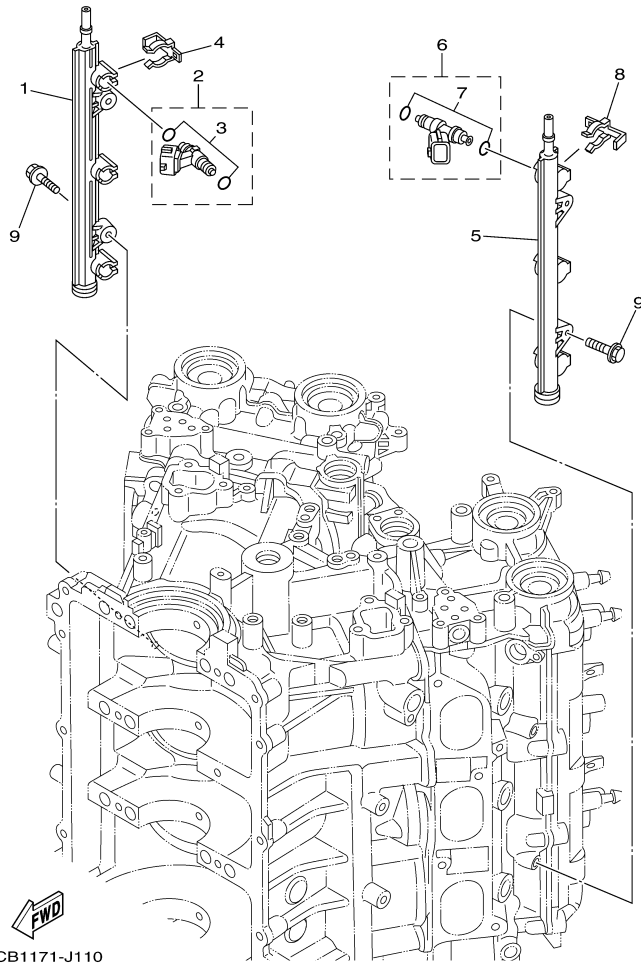
F250DET1X 0210 / THROTTLE BODY ASSY 1

REF - NO	PART NUMBER	PART NAME	QUANTITY	REMARKS
1	6CB-13751-00-00	BODY, THROTTLE 1	1	
2	6CB-13711-00-00	MIXING BODY	1	
3	6CB-13556-00-00	.GASKET, MANIFOLD	1	
4	95875-08060-00	BOLT, FLANGE	4	
5	6P2-82380-00-00	SENSOR, PRESSURE	1	
6	97075-06020-00	BOLT	1	
7	92995-06100-00	WASHER, SPRING	1	
8	92995-06600-00	WASHER	1	
9	6CB-13898-00-00	HOLDER	1	
10	6CB-13898-10-00	HOLDER	1	
11	90464-11121-00	CLAMP	1	

## Part Notes

F250DET1X 0210 / THROTTLE BODY ASSY 1

PART NUMBER	NOTE TEXT
92995-06100-00 	OEM: This part number is among the Top 100 Most Popular Marine Maintenance Parts as of February 2013.



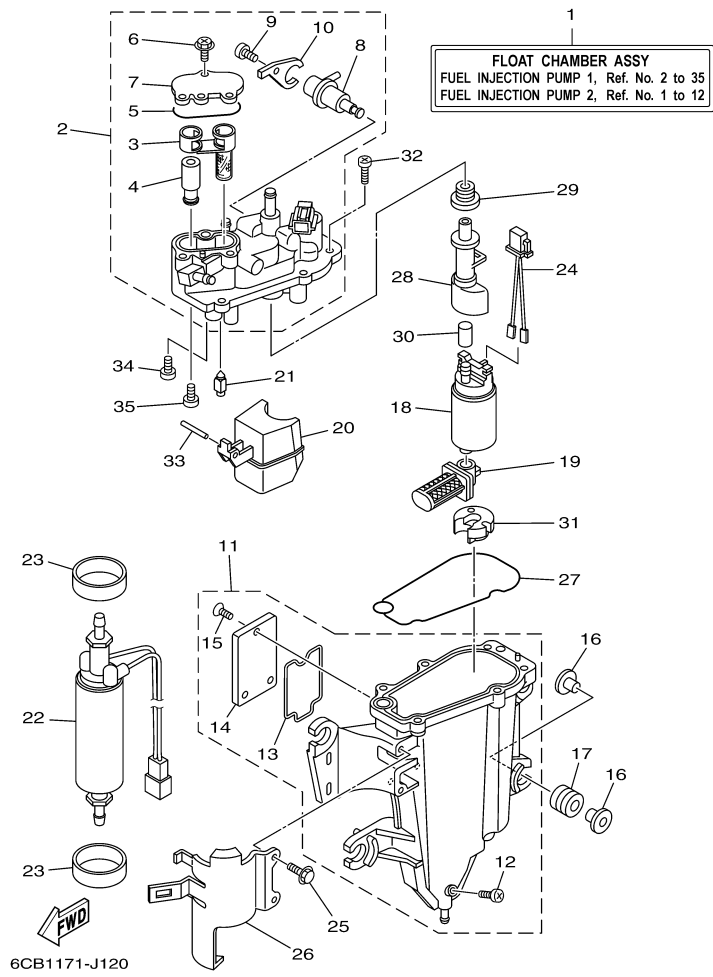
6CB1171-J110



# Part List

F250DET1X 0210 / THROTTLE BODY ASSY 2

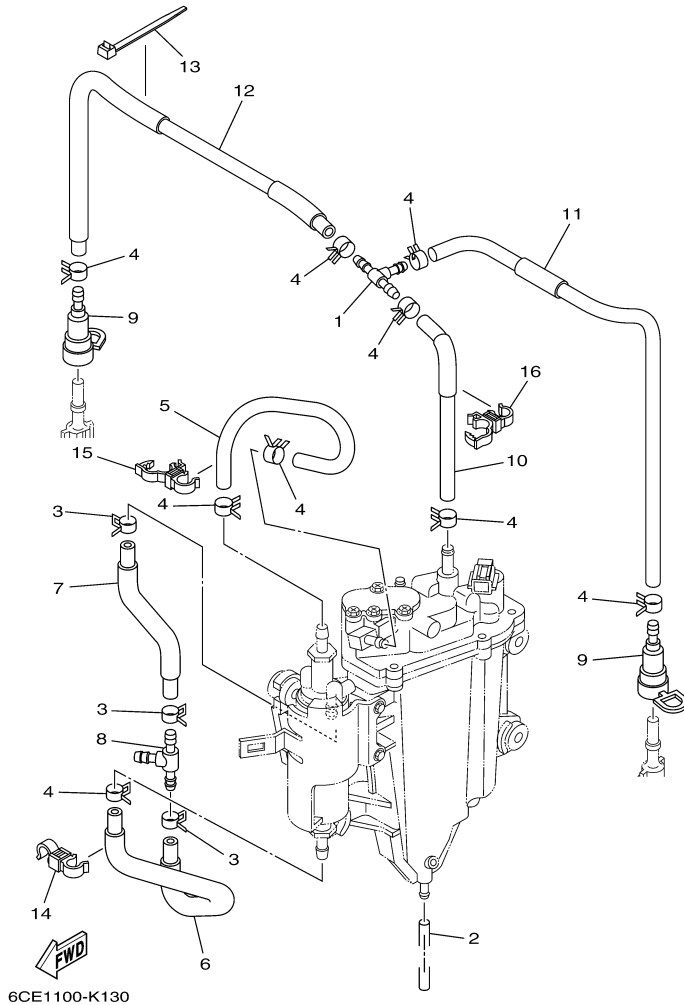
REF - NO	PART NUMBER	PART NAME	QUANTITY	REMARKS
1	6CB-13161-00-00	PIPE, DELIVERY 1	1	
2	6AW-13761-00-00	INJECTOR	3	
3	6AW-1410B-00-00	.PACKING KIT	1	
4	6CB-13577-00-00	CLIP	3	
5	6CB-13171-00-00	PIPE, DELIVERY 2	1	
6	6AW-13761-00-00	INJECTOR	3	
7	6AW-1410B-00-00	.PACKING KIT	1	
8	6CB-13577-00-00	CLIP	3	
9	90105-06M08-00	BOLT, FLANGE	4	



## Part List

F250DET1X 0210 / FUEL INJECTION PUMP 1

REF - NO	PART NUMBER	PART NAME	QUANTITY	REMARKS
1	6CB-14180-01-00	FLOAT CHAMBER ASSY	1	
2	6CB-14182-00-00	COVER, FLOAT CHAMBER	1	
3	6CB-24501-00-00	.FILTER, FUEL	1	
4	6CB-24460-00-00	.RELIEF VALVE ASSY	1	
5	6CB-13016-00-00	.O-RING	1	
6	6CB-14216-00-00	.SCREW	3	
7	6CB-24217-00-00	.COVER	1	
8	6CB-13906-00-00	.REGULATOR, PRESSURE	1	
9	6CB-14564-00-00	.SCREW	1	
10	6CB-14146-00-00	.PLATE	1	
11	6CB-14181-00-00	BODY, FLOAT CHAMBER 1	1	
12	6P2-14191-00-00	.PLUG, DRAIN	1	
13	6CB-14239-00-00	.SEAL	1	
14	6CB-24452-00-00	.COVER	1	
15	6CB-14429-00-00	.SCREW	3	
16	69J-13716-00-00	COLLAR	8	
17	6BM-13593-00-00	DAMPER	4	
18	6CB-13907-00-00	FUEL PUMP COMP.	1	
19	6CB-13915-00-00	FILTER	1	
20	6CB-14985-00-00	FLOAT	1	
21	6CB-14546-00-00	VALVE, NEEDLE	1	
22	6CB-24410-00-00	FUEL PUMP ASSY	1	
23	6CB-24492-00-00	BUSH, FUEL PUMP	2	
24	6CB-1469M-00-00	WIRE 1	1	
25	6CB-24592-00-00	BOLT	2	
26	6CB-24491-00-00	BRACKET, FUEL PUMP	1	
27	6CB-14984-00-00	GASKET, FLOAT CHAMBER	1	
28	6CB-13132-00-00	JOINT	1	
29	6CB-1447B-00-00	BUSH 1	1	
30	6CB-13781-00-00	DAMPER, PUMP	1	
31	6CB-13784-00-00	COVER, PUMP	1	
32	63P-14567-00-00	SCREW	6	
33	6P2-14386-00-00	PIN, FLOAT	1	
34	4SV-24453-00-00	SCREW	1	
35	98507-04008-00	.SCREW, PAN HEAD	1	



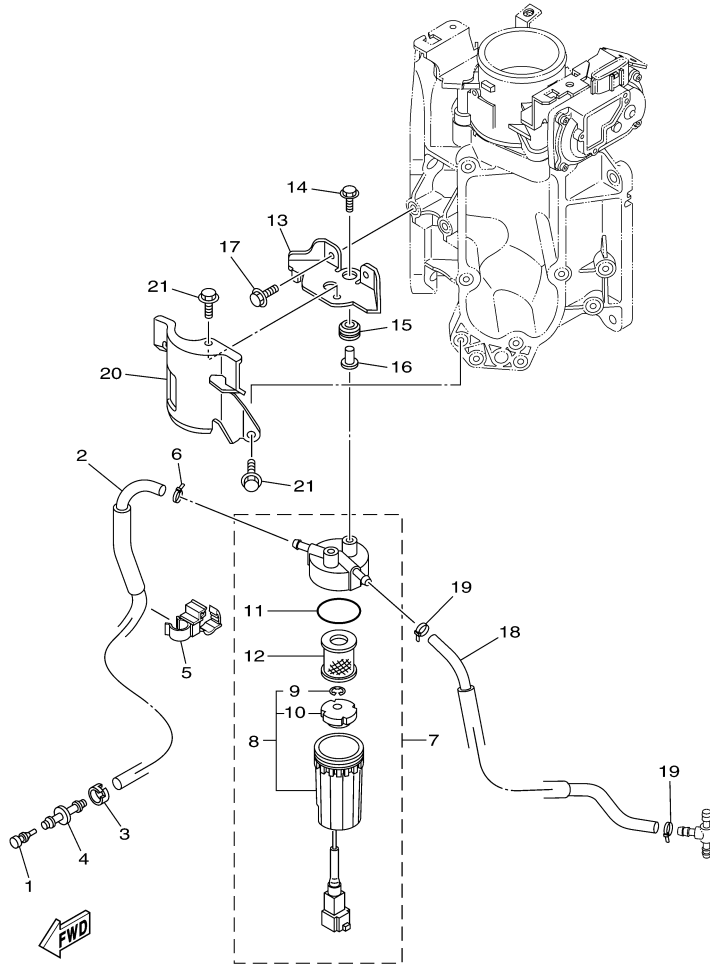
6CE1100-K130



## Part List

F250DET1X 0210 / FUEL INJECTION PUMP 2

REF - NO	PART NUMBER	PART NAME	QUANTITY	REMARKS
1	6AW-24461-00-00	PIPE, JOINT	1	
2	6P2-14149-00-00	PIPE	1	
3	69J-14137-00-00	CLIP	3	
4	68V-13577-00-00	CLIP	9	
5	6CB-24324-00-00	PIPE 13	1	
6	6CB-24317-00-00	PIPE 7	1	
7	6CB-24323-00-00	PIPE 12	1	
8	6E5-24378-00-00	PIPE, JOINT 3	1	
9	60E-24300-01-00	FUEL PIPE JOINT	2	
10	6CB-13971-01-00	PIPE, FUEL 1	1	
11	6CB-13974-00-00	PIPE, FUEL 4	1	
12	6CB-13972-00-00	PIPE, FUEL 2	1	
13	90465-14M66-00	CLAMP	1	
14	90464-12009-00	CLAMP	1	
15	90464-12012-00	CLAMP	1	
16	90464-12012-00	CLAMP	1	



6CE1100-K140


## Part List

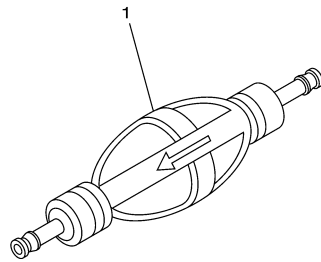
F250DET1X 0210 / FUEL 1

REF - NO	PART NUMBER	PART NAME	QUANTITY	REMARKS
1	689-85547-00-00	DAMPER	1	
2	6CB-24314-00-00	PIPE 4	1	
3	6E5-24351-51-00	BAND 1	1	
4	6AW-24377-00-00	PIPE, JOINT 2	1	
5	90464-12012-00	CLAMP	1	
6	90465-11M10-00	CLAMP	1	
7	6P3-24560-20-00	FILTER ASSY	1	
8	6P3-24562-20-00	.CUP, FILTER	1	
9	6P3-24519-00-00	..CLIP	1	
10	6P3-24469-00-00	..FLOAT, WATER LEVEL	1	
11	6P3-24564-00-00	.GASKET	1	
12	6P3-24563-00-00	.ELEMENT, FILTER	1	
13	6CB-24566-00-00	BRACKET, FILTER	1	
14	90119-06M17-00	BOLT, WITH WASHER	2	
15	90480-10M23-00	GROMMET	2	
16	90387-06M60-00	COLLAR	2	
17	95895-06016-00	BOLT, FLANGE	2	
18	6CB-24313-00-00	PIPE 3	1	
19	90465-11M10-00	CLAMP	2	
20	6CB-24596-01-00	COVER	1	
21	95895-06014-00	BOLT, FLANGE	2	

## Part Notes

F250DET1X 0210 / FUEL 1

PART NUMBER	NOTE TEXT
6P3-24564-00-00 	OEM: This part number is among the Top 100 Most Popular Marine Maintenance Parts as of February 2013.



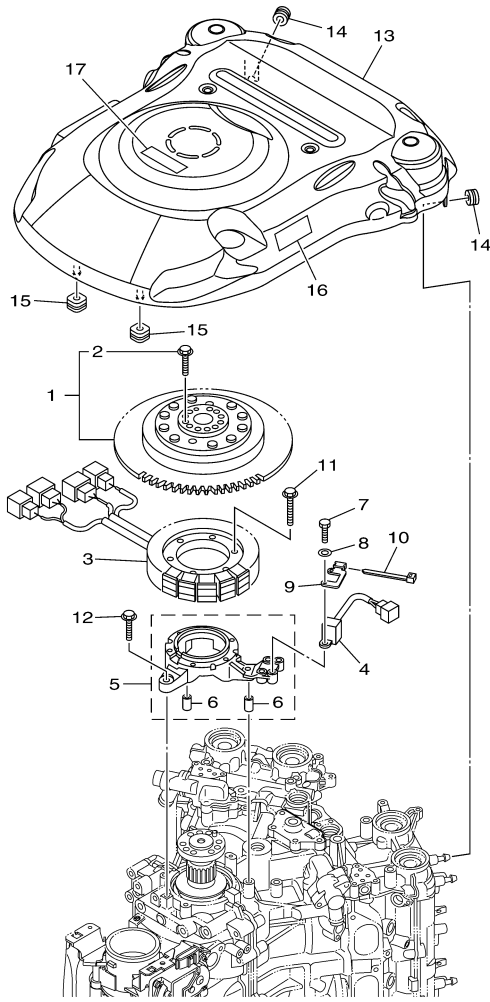
68V9110-J110



# Part List

F250DET1X 0210 / FUEL 2

REF - NO	PART NUMBER	PART NAME	QUANTITY	REMARKS
1	6AW-24360-00-00	PRIMER PUMP ASSY	1	AP



  
6CE1110-K160


Part List

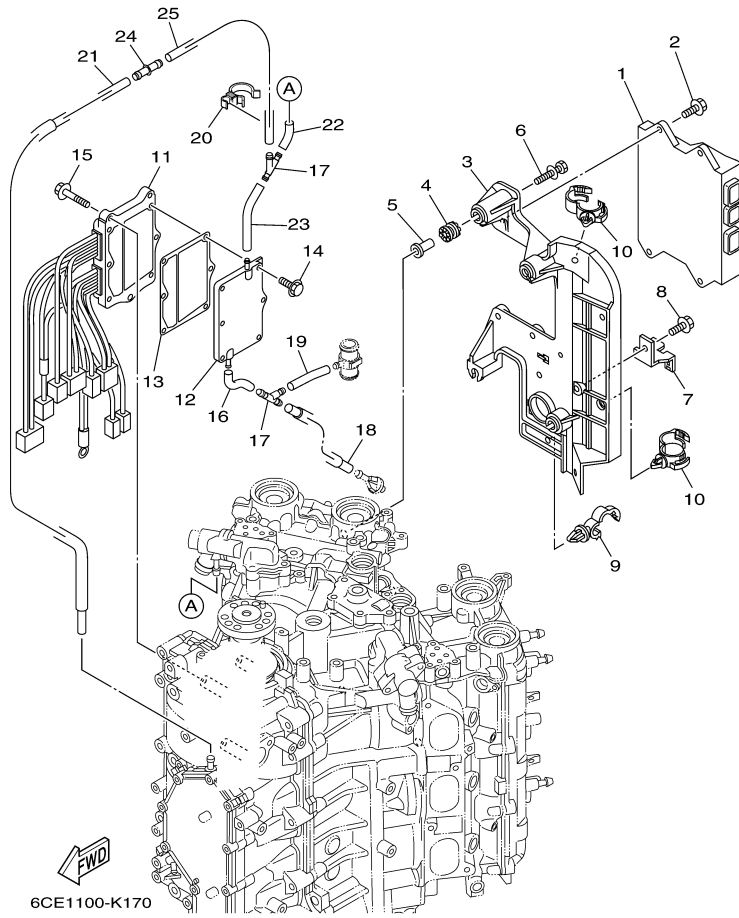
F250DET1X 0210 / GENERATOR

REF - NO	PART NUMBER	PART NAME	QUANTITY	REMARKS
1	6CE-W8145-00-00	ROTOR ASSY WITH BOLTS	1	
2	6AW-W9011-00-00	.BOLT SET (FOR ROTOR ASSY)	1	
3	6CE-81410-00-00	STATOR ASSY	1	
4	6CB-85580-00-00	COIL, PULSER	1	
5	6CB-85561-00-00	BASE, MAGNETO	1	
6	99530-08012-00	.PIN, DOWEL	2	
7	97095-05020-00	.BOLT	2	
8	92995-05600-00	WASHER	2	
9	6CE-85592-00-00	STAY, PULSER	1	
10	90465-11M10-00	CLAMP	1	
11	95022-06035-00	BOLT, FLANGE	6	
12	95895-06030-00	BOLT, FLANGE	4	
13	6CB-81337-00-00	COVER, FLYWHEEL	1	
14	90480-12314-00	GROMMET	2	
15	6CB-85516-00-00	SPACER	2	
16	6CE-13437-40-00	MARK, CAUTION	1	
17	6AH-81994-40-00	LABEL, SAFETY	1	

Part Notes

F250DET1X 0210 / GENERATOR

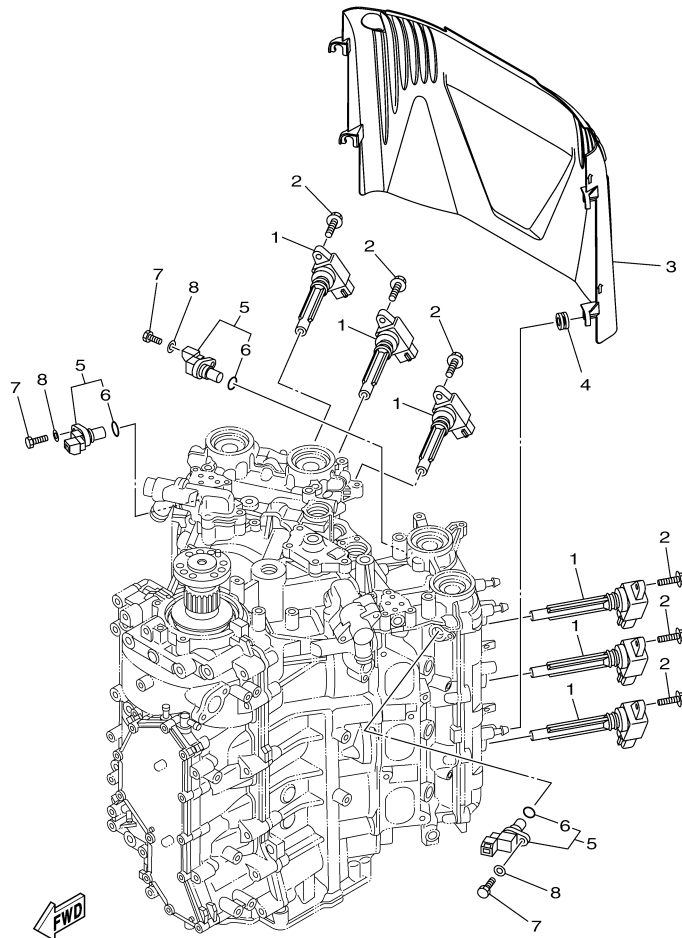
PART NUMBER	NOTE TEXT
90480-12314-00 	OEM: See Remarks Column: GROMMET used on F115TLR and F/LF115TXR 0510 Production and Later



## Part List

F250DET1X 0210 / ELECTRICAL 1

REF - NO	PART NUMBER	PART NAME	QUANTITY	REMARKS
1	6CG-8591A-00-00	ENGINE CONTROL UNIT ASSY	1	
2	95895-06020-00	BOLT, FLANGE	4	
3	6CB-82316-01-00	BRACKET, IGNITION COIL	1	
4	64J-85516-00-00	SPACER	4	
5	69M-42758-00-00	COLLAR	4	
6	90119-06M56-00	BOLT, WITH WASHER	4	
7	6BR-81845-00-00	PLATE	1	
8	95895-06012-00	BOLT, FLANGE	1	
9	90464-13249-00	CLAMP	1	
10	90464-20181-00	CLAMP	2	
11	6CE-81960-00-00	RECTIFIER & REGULATOR ASSY	1	
12	6CE-81972-00-9S	COVER, RECTIFIER	1	
13	6CE-81975-00-00	PLATE, RECTIFIER FITTING	1	
14	90119-06MA3-00	BOLT, WITH WASHER	6	
15	95895-06025-00	BOLT, FLANGE	3	
16	6CE-1248A-00-00	PIPE 8	1	
17	6CE-24377-00-00	PIPE, JOINT 2	2	
18	6CE-12483-00-00	PIPE 3	1	
19	90445-107A5-00	HOSE (L30)	1	
20	90464-26002-00	CLAMP	1	
21	6CE-12481-00-00	PIPE 1	1	
22	6CE-14872-00-00	PIPE 2	1	
23	6CE-12485-00-00	PIPE 5	1	
24	6CE-24376-00-00	PIPE, JOINT 1	1	
25	6CE-12484-00-00	PIPE 4	1	



6CB2110-K180


## Part List

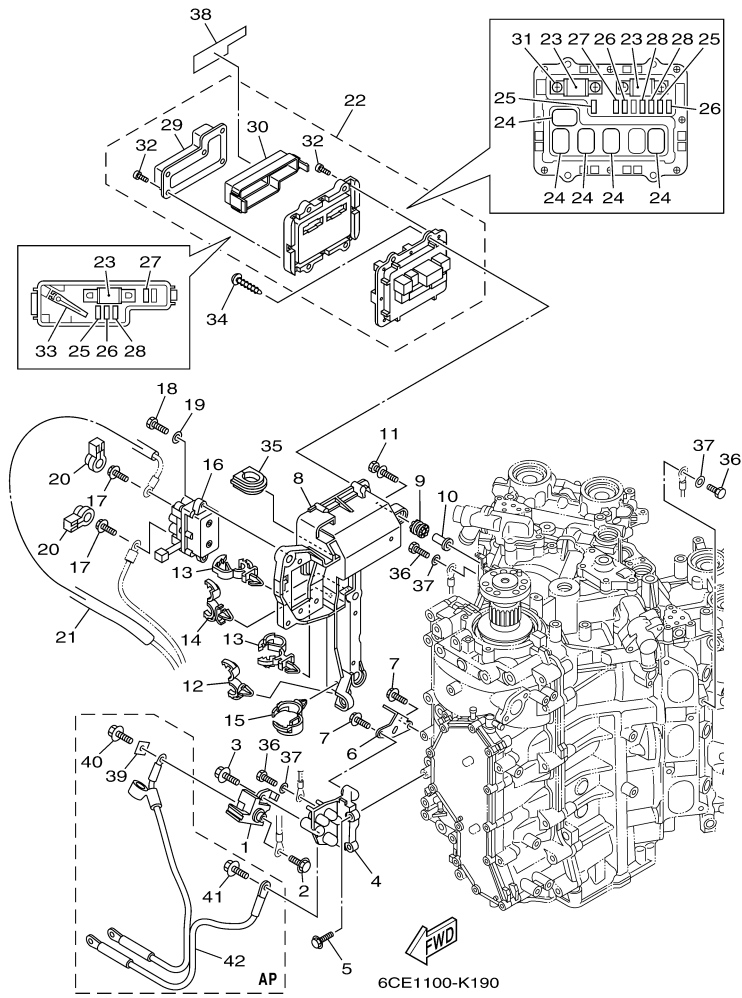
F250DET1X 0210 / ELECTRICAL 2

REF - NO	PART NUMBER	PART NAME	QUANTITY	REMARKS
1	6CB-82310-00-00	IGNITION COIL ASSY	6	
2	95895-06025-00	BOLT, FLANGE	6	
3	6CB-82314-00-00	COVER, IGNITION COIL	1	
4	90480-12314-00	GROMMET	4	
5	6P2-85896-00-00	SENSOR, CAM POSITION	3	
6	6P2-85075-00-00	.O-RING	1	
7	97095-06020-00	BOLT	3	
8	92995-06600-00	WASHER	3	

## Part Notes

F250DET1X 0210 / ELECTRICAL 2

PART NUMBER	NOTE TEXT
90480-12314-00 	OEM: See Remarks Column: GROMMET used on F115TLR and F/LF115TXR 0510 Production and Later

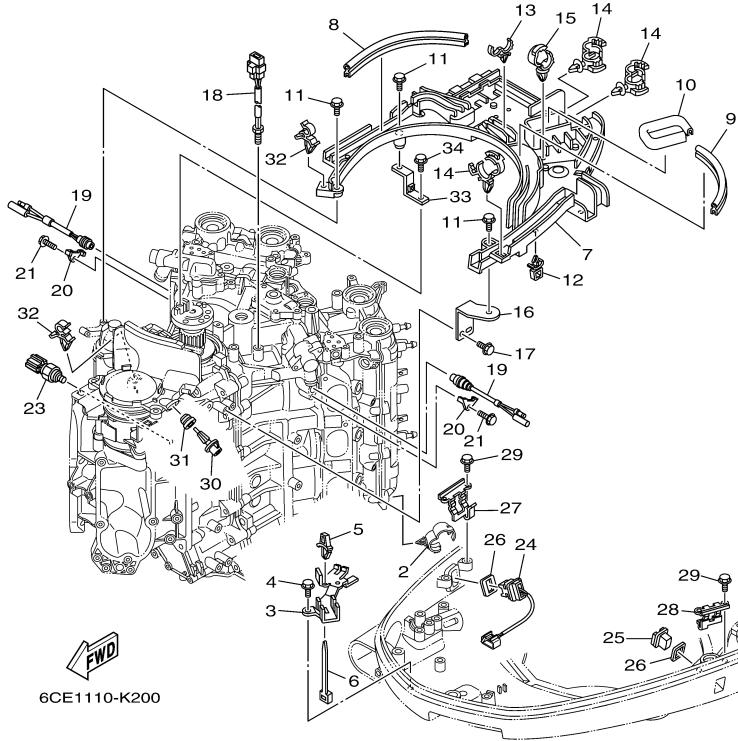
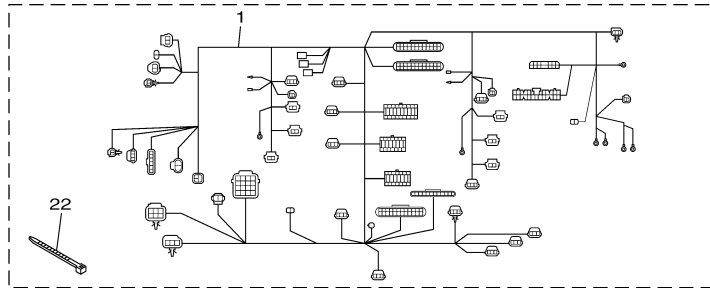




## Part List

F250DET1X 0210 / ELECTRICAL 3

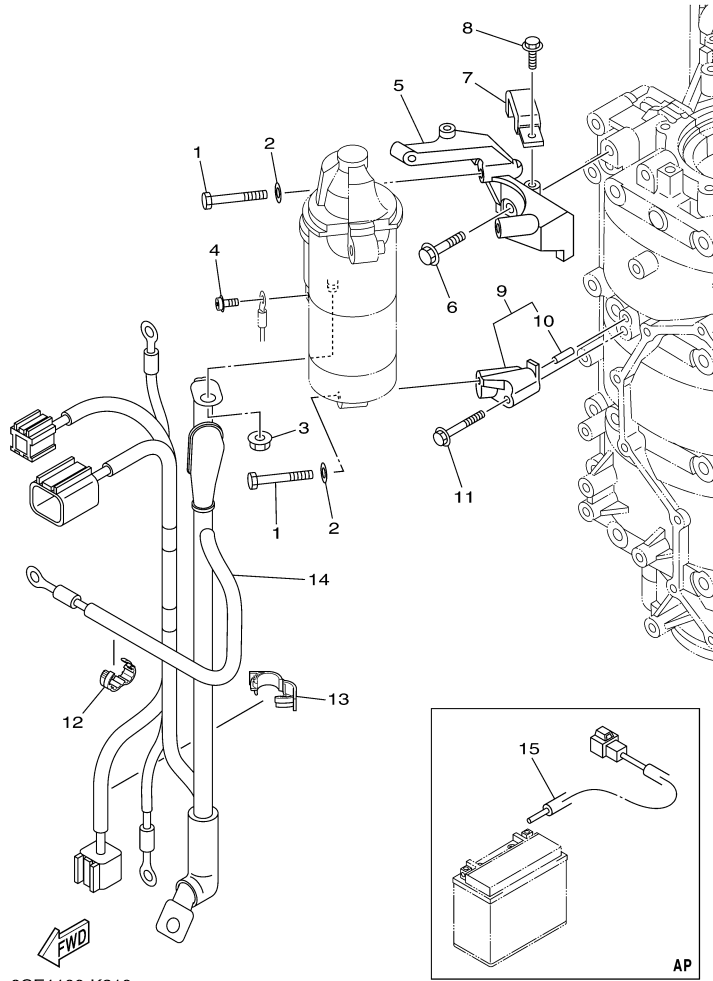
REF - NO	PART NUMBER	PART NAME	QUANTITY	REMARKS
1	6P2-81925-01-00	TERMINAL	1	
2	95895-08016-00	BOLT, FLANGE	1	
3	95814-08020-00	BOLT, FLANGE	1	
4	6CB-81929-00-00	BRACKET, TERMINAL	1	
5	95895-06020-00	BOLT, FLANGE	2	
6	6CE-82588-00-00	PLATE	1	
7	95895-06016-00	BOLT, FLANGE	2	
8	6CB-81948-00-00	BRACKET	1	
9	64J-85516-00-00	SPACER	5	
10	69M-42758-00-00	COLLAR	5	
11	90119-06M56-00	BOLT, WITH WASHER	5	
12	90464-13249-00	CLAMP	1	
13	90464-12183-00	CLAMP	2	
14	90464-18246-00	CLAMP	1	
15	90464-20181-00	CLAMP	1	
16	6AW-81950-00-00	RELAY ASSY	1	
17	97595-06610-00	BOLT, WITH WASHER	2	
18	97013-06020-00	BOLT	2	
19	92903-06600-00	WASHER, PLATE	2	
20	6P2-8183X-00-00	CAP, TERMINAL	2	
21	90446-15003-00	HOSE (L100)	1	
22	6CE-82170-00-00	FUSE BOX ASSY	1	
23	6CE-82151-00-00	.FUSE (100A)	3	
24	68F-8195A-00-00	.RELAY ASSY	5	
25	67F-82151-40-00	.FUSE (10A)	3	
26	67F-82151-50-00	.FUSE (15A)	3	
27	67F-82151-00-00	.FUSE (20A)	2	
28	67F-82151-10-00	.FUSE (30A)	3	
29	6CB-81639-00-00	.COVER	1	
30	6CB-85544-00-00	.CASE	1	
31	68F-82846-00-00	.SCREW, PAN HEAD (M5)	4	
32	6P2-82113-00-00	.SCREW	13	
33	67F-2812A-00-00	.PULLER, FUSE	1	
34	97780-50620-00	SCREW, TAPPING	4	
35	6P2-81336-00-00	GROMMET	1	
36	97095-06016-00	BOLT	5	
37	92995-06600-00	WASHER	5	
38	6CE-81919-20-00	GRAPHIC, REGULATOR	1	
39	6CB-81923-00-00	WASHER	1	AP
40	95895-08016-00	BOLT, FLANGE	1	AP
41	95895-08016-00	BOLT, FLANGE	1	AP
42	6CB-82105-00-00	WIRE HARNESS	1	AP



## Part List

F250DET1X 0210 / ELECTRICAL 4

REF - NO	PART NUMBER	PART NAME	QUANTITY	REMARKS
1	6CE-82590-00-00	WIRE HARNESS ASSY	1	
2	90464-20181-00	CLAMP	4	
3	6CB-82594-00-00	CLAMP	1	
4	95895-06012-00	BOLT, FLANGE	2	
5	90464-06001-00	CLAMP	1	
6	90465-13M24-00	CLAMP	1	
7	6CB-82589-00-00	PROTECTOR, WIRE HARNESS	1	
8	6BG-42617-00-00	DAMPER, FORM	1	
9	6CB-42617-00-00	DAMPER, FORM	1	
10	6CB-42629-00-00	SEAL	1	
11	95895-06020-00	BOLT, FLANGE	5	
12	90464-11121-00	CLAMP	1	
13	90464-18246-00	CLAMP	1	
14	90464-12183-00	CLAMP	4	
15	90464-20181-00	CLAMP	2	
16	6CB-82388-00-00	PLATE	1	
17	95895-06016-00	BOLT, FLANGE	2	
18	6CB-85790-00-00	THERMOSENSOR ASSY	1	
19	6P2-82560-01-00	THERMO SWITCH ASSY	2	
20	6E9-82588-00-00	PLATE	2	
21	95895-06012-00	BOLT, FLANGE	2	
22	90465-14M66-00	CLAMP	1	
23	6AW-83651-00-00	SENDER, OIL PRESSURE	1	
24	6BR-82563-00-00	TRIM & TILT SWITCH ASSY	1	
25	69J-42723-00-8D	COVER, BOTTOM	1	
26	69J-82587-00-00	GASKET	2	
27	63P-83614-01-00	BRACKET	1	
28	63P-83614-01-00	BRACKET	1	
29	95895-06012-00	BOLT, FLANGE	4	
30	63P-85886-00-00	SENSOR, AIR TEMPERATURE	1	
31	63P-14435-00-00	GROMMET	1	
32	90464-09129-00	CLAMP	2	
33	6CB-81952-00-00	HOLDER, RELAY	1	
34	95895-06016-00	BOLT, FLANGE	1	



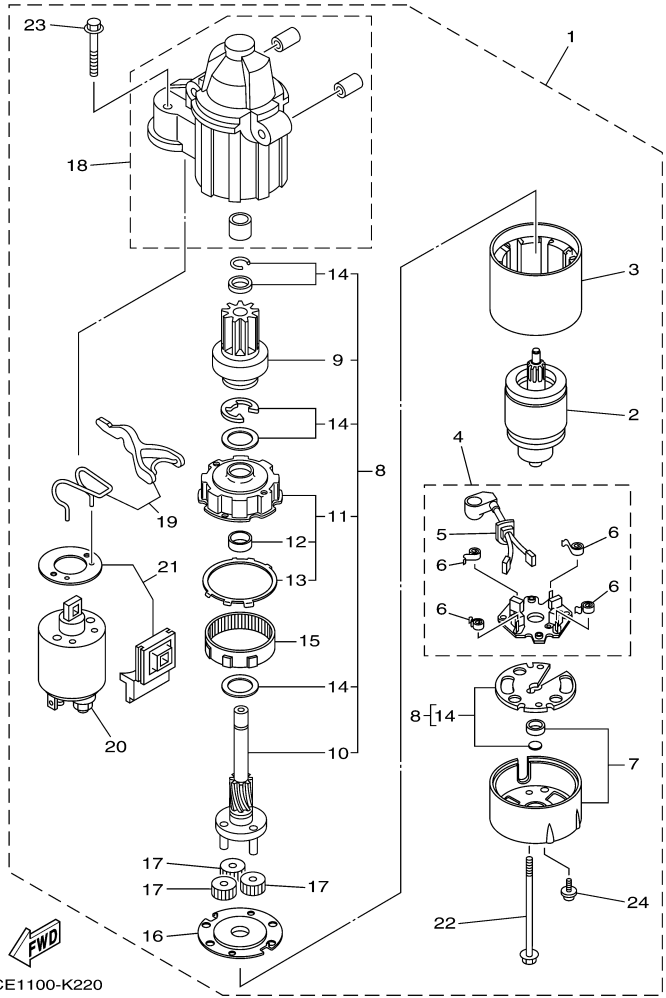
6CE1100-K210

AP

## Part List

F250DET1X 0210 / ELECTRICAL 5

REF - NO	PART NUMBER	PART NAME	QUANTITY	REMARKS
1	97013-08045-00	BOLT	3	
2	92903-08600-00	WASHER, PLATE	3	
3	90179-08003-00	NUT	1	
4	90159-04005-00	SCREW, WITH WASHER	1	
5	6CB-81822-00-00	BRACKET, STARTING MOTOR	1	
6	90105-08M87-00	BOLT, FLANGE	2	
7	6CB-81443-00-00	CLAMP, LEAD 1	1	
8	95895-06016-00	BOLT, FLANGE	1	
9	6CB-81823-00-00	STAY, STARTING MOTOR	1	
10	93606-12019-00	.PIN, DOWEL	1	
11	90105-06151-00	BOLT, FLANGE	1	
12	90464-13227-00	CLAMP	1	
13	90464-18004-00	CLAMP	1	
14	6CE-8259M-00-00	WIRE HARNESS ASSY 2	1	
15	6CE-81949-00-00	WIRE, LEAD (ISOLATOR CABLE)	1	AP

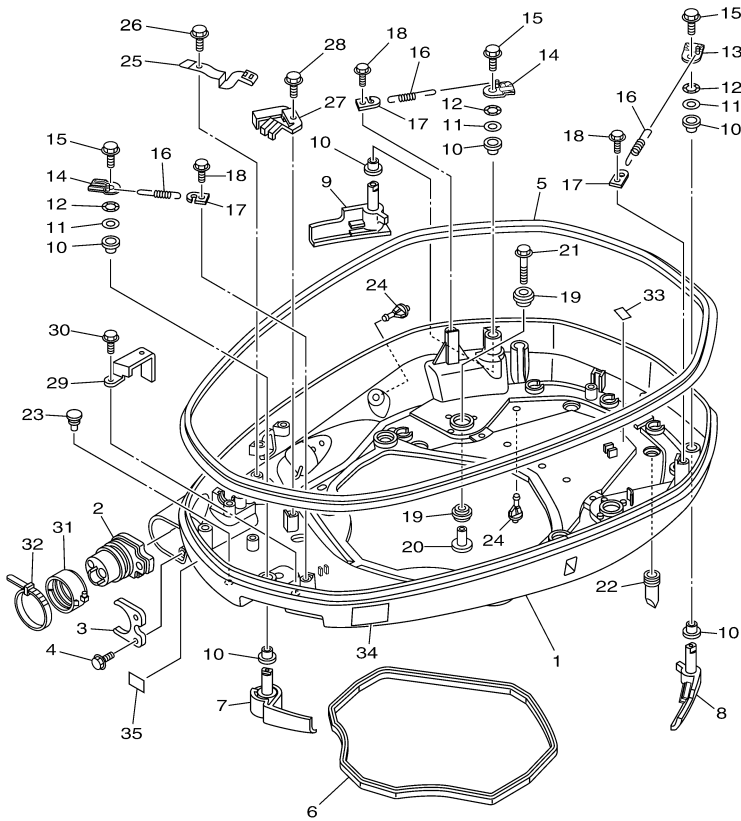


6CE1100-K220

## Part List

F250DET1X 0210 / STARTING MOTOR

REF - NO	PART NUMBER	PART NAME	QUANTITY	REMARKS
1	6CE-81800-00-00	STARTING MOTOR ASSY	1	
2	6CE-81850-00-00	.ARMATURE ASSY	1	
3	6CE-81810-00-00	.STATOR ASSY	1	
4	6CE-81840-00-00	.BRUSH HOLDER ASSY	1	
5	6CE-81801-00-00	..BRUSH SET	1	
6	67F-81813-00-00	..SPRING, BRUSH	4	
7	6CE-81820-00-00	.REAR BRACKET ASSY	1	
8	6CE-81807-00-00	.GEAR ASSY, STARTING MOTOR	1	
9	6CB-81832-00-00	..CLUTCH, OVER RUN	1	
10	6CB-81836-00-00	..SHAFT, PINION	1	
11	6CE-81821-00-00	..BRACKET, CENTER 1	1	
12	67F-81841-00-00	.....BEARING	1	
13	67F-8183R-00-00	...GASKET	1	
14	6CB-81809-00-00	..WASHER KIT	1	
15	67F-81891-00-00	.GEAR, RING	1	
16	6CE-81830-00-00	.BRACKET, CENTER 2	1	
17	60V-8183T-00-00	.GEAR, IDLER	3	
18	6CE-81842-00-00	.COVER	1	
19	6CE-81839-00-00	.LEVER ASSY	1	
20	6C5-81941-00-00	.STARTER RELAY ASSY	1	
21	6CE-81869-00-00	.COVER, DUST	1	
22	6CB-81826-00-00	.BOLT	2	
23	69J-81828-00-00	.SCREW 2	2	
24	67F-81846-00-00	.SCREW	2	



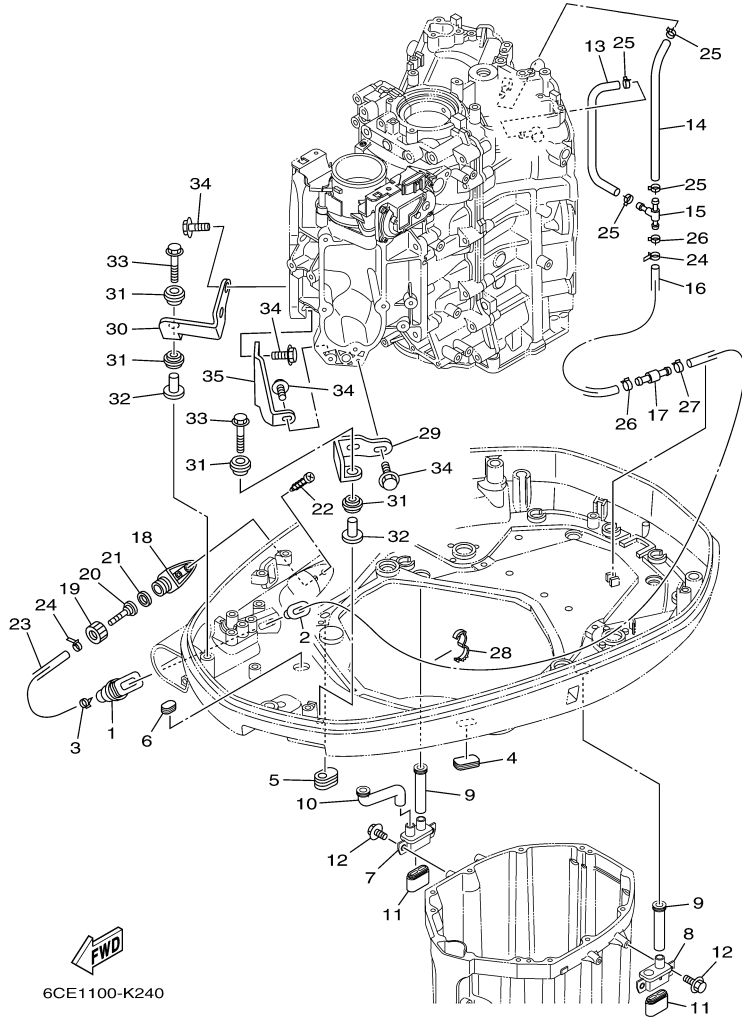
6CE1110-K230



## Part List

F250DET1X 0210 / BOTTOM COWLING 1

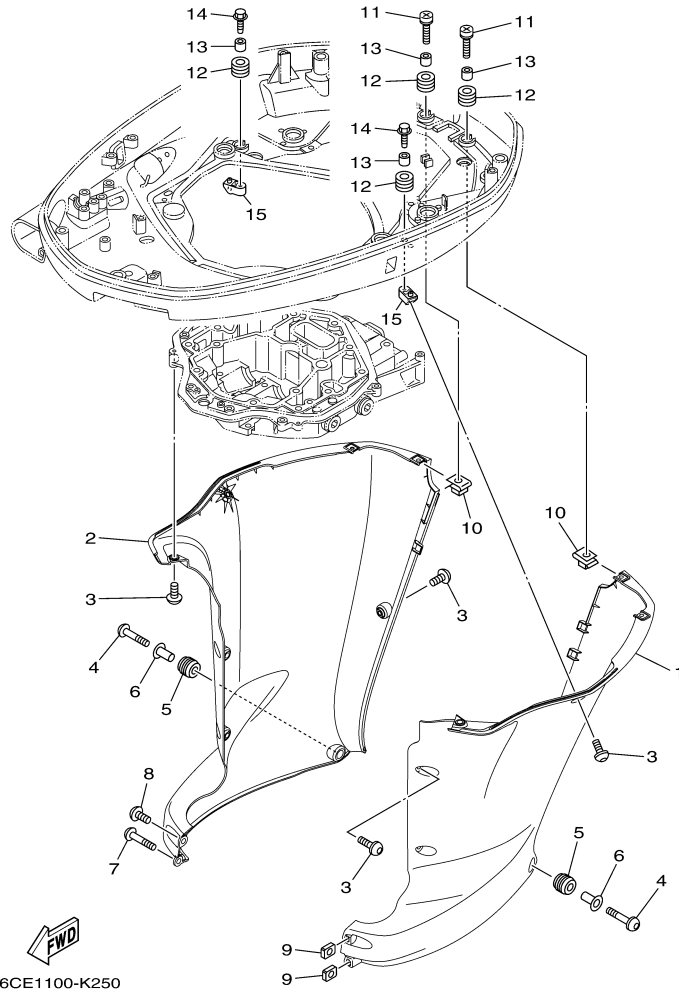
REF - NO	PART NUMBER	PART NAME	QUANTITY	REMARKS
1	6CB-42711-01-8D	COWLING, BOTTOM 1	1	
2	6CE-42725-00-00	GROMMET	1	
3	6CB-42761-00-00	STOPPER	1	
4	95895-06014-00	BOLT, FLANGE	2	
5	6CB-42615-00-00	SEAL	1	
6	6CB-42716-00-00	RUBBER, SEAL 1	1	
7	6CB-42815-01-8D	LEVER, CLAMP	1	
8	6CB-42816-01-8D	LEVER, CLAMP	1	
9	6CB-42817-01-8D	LEVER, CLAMP	1	
10	90386-15M73-00	BUSH	6	
11	90201-156J2-00	WASHER, PLATE	3	
12	90206-15M18-00	WASHER, WAVE	3	
13	6CB-42818-00-00	LEVER, CLAMP	1	
14	6CB-42819-00-00	LEVER, CLAMP	2	
15	95880-08012-00	BOLT, FLANGE	3	
16	90506-22001-00	SPRING, TENSION	3	
17	66T-43144-00-00	HOOK, SPRING	3	
18	95895-06012-00	BOLT, FLANGE	3	
19	90480-22M81-00	GROMMET	12	
20	90387-08M37-00	COLLAR	6	
21	90119-08M22-00	BOLT, WITH WASHER	6	
22	6D0-42717-00-00	RUBBER, SEAL 2	2	
23	6H4-42748-00-00	GROMMET	1	
24	6P2-44391-00-00	NIPPLE, HOSE	2	
25	6CB-42743-00-00	BRACKET	1	
26	95895-06012-00	BOLT, FLANGE	1	
27	6CB-42766-00-00	BRACKET 2	1	
28	95895-06012-00	BOLT, FLANGE	1	
29	6CB-42756-00-00	STAY, CLAMP	1	
30	95895-06012-00	BOLT, FLANGE	1	
31	68F-42753-00-00	FASTNER	1	AP
32	90464-20258-00	CLAMP	1	AP
33	68V-82377-00-00	LABEL	1	
34	6AH-42794-40-00	LABEL, WARNING (GENERAL)	1	
35	6AH-81996-00-00	MARK	1	



## Part List

F250DET1X 0210 / BOTTOM COWLING 2

REF - NO	PART NUMBER	PART NAME	QUANTITY	REMARKS
1	6H1-42726-21-00	GROMMET	1	
2	6BG-42384-00-00	SEAL, CAP	1	
3	90465-11M10-00	CLAMP	2	
4	6H4-42726-00-00	GROMMET	1	
5	61A-42727-00-00	GROMMET	1	
6	64G-42727-00-00	GROMMET	1	
7	6CE-42733-00-00	BOX, DRAIN	1	
8	6CE-42734-00-00	BOX, DRAIN 2	1	
9	6CE-42786-00-00	HOSE, DRAIN 1	2	
10	6CE-42787-00-00	HOSE, DRAIN 2	1	
11	69J-42717-00-00	RUBBER, SEAL 2	2	
12	95895-06016-00	BOLT, FLANGE	4	
13	6CB-24315-00-00	PIPE 5	1	
14	90445-14021-00	HOSE (L185)	1	
15	6AW-42169-00-00	JOINT	1	
16	90445-16015-00	HOSE (L300)	1	
17	6AW-42785-00-00	PIPE	1	
18	6AW-12572-00-00	ADAPTER	1	
19	6R3-12581-00-00	JOINT, HOSE 1	1	
20	6AW-12582-00-00	JOINT, HOSE 2	1	
21	6R3-12583-00-00	GASKET, HOSE JOINT	1	
22	97780-60520-00	SCREW, TAPPING	2	
23	90445-14019-00	HOSE (L1460)	1	
24	90465-11M10-00	CLAMP	2	
25	90467-130A5-00	CLIP	4	
26	90467-140A8-00	CLIP	2	
27	90467-140A9-00	CLIP	1	
28	90464-16001-00	CLAMP	1	
29	6CB-42643-00-00	PLATE, CLAMP	1	
30	6CB-42644-00-00	PLATE, CLAMP 2	1	
31	90480-14029-00	GROMMET	4	
32	90387-06M03-00	COLLAR	2	
33	90119-06M61-00	BOLT, WITH WASHER	2	
34	90105-06039-00	BOLT, FLANGE	6	
35	6CB-42744-00-00	STAY	1	






## Part List

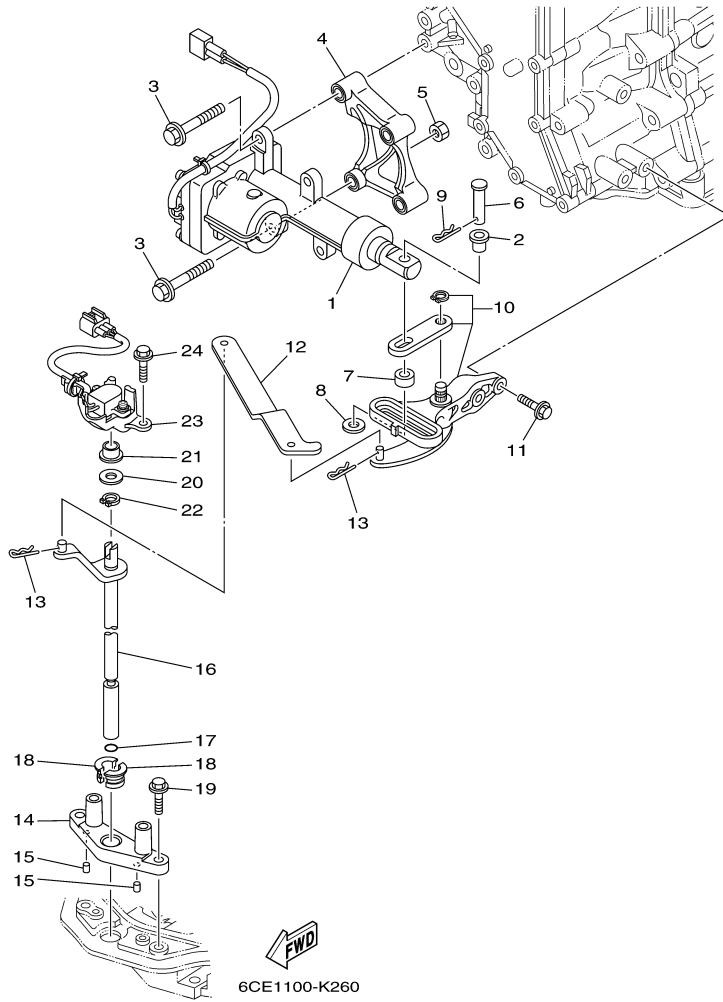
F250DET1X 0210 / BOTTOM COWLING 3

REF - NO	PART NUMBER	PART NAME	QUANTITY	REMARKS
1	6CE-42741-00-8D	APRON	1	
2	6CE-42771-00-8D	APRON	1	
3	90111-06111-00	BOLT,HEX. SOCKET BUTTON	10	
4	90111-06113-00	BOLT,HEX. SOCKET BUTTON	2	
5	90480-16009-00	GROMMET	2	
6	90387-07028-00	COLLAR	2	
7	90111-06113-00	BOLT,HEX. SOCKET BUTTON	1	
8	90111-06111-00	BOLT,HEX. SOCKET BUTTON	1	
9	90173-06001-00	NUT, SQUARE	2	
10	90183-061A6-00	NUT, SPRING	4	
11	90159-06053-00	SCREW, WITH WASHER	4	
12	90480-13M24-00	GROMMET	6	
13	90387-06M43-00	COLLAR	6	
14	90109-06M80-00	.BOLT	2	
15	6CE-42774-00-00	STAY, APRON 1	2	

## Part Notes

F250DET1X 0210 / BOTTOM COWLING 3

PART NUMBER	NOTE TEXT
6CE-42741-00-8D 	OEM: This part is discontinued and does not supersede to 6CE-42741-01-8D. You have to order 6CE-42741-01-8D and 6CE-42771-01-8D to replace as a set.
6CE-42771-00-8D 	OEM: This part is discontinued and does not supersede to 6CE-42771-01-8D. You have to order 6CE-42741-01-8D and 6CE-42771-01-8D to replace as a set.
90173-06001-00 	OEM: This part number is among the Top 100 Most Popular Marine Maintenance Parts as of February 2013.





## Part List

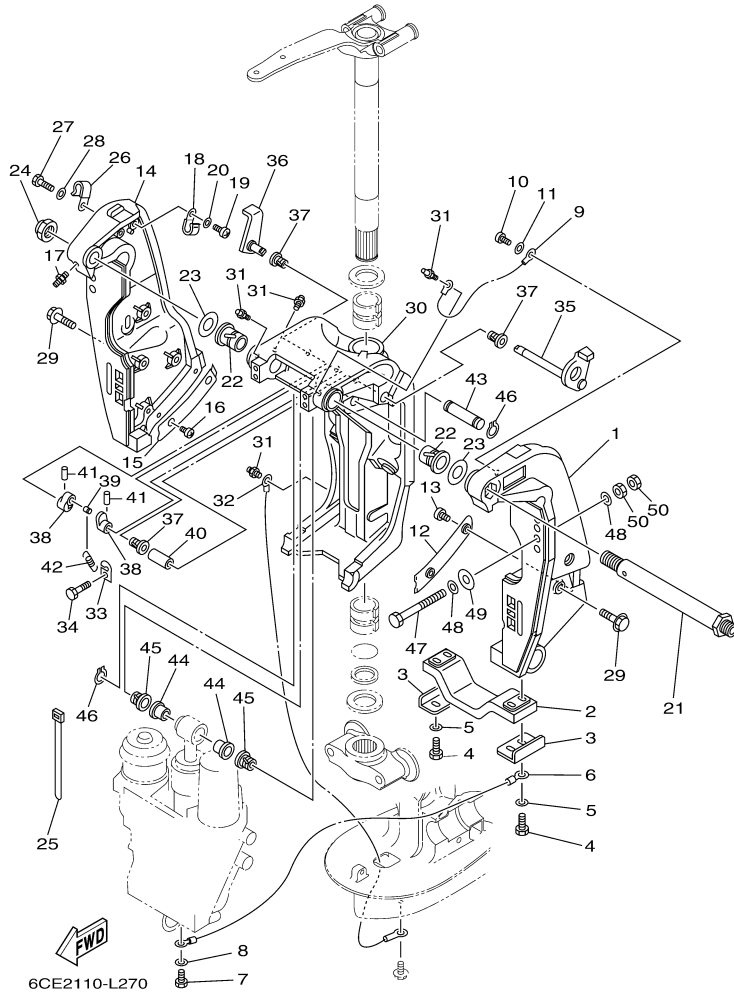
F250DET1X 0210 / CONTROL

REF - NO	PART NUMBER	PART NAME	QUANTITY	REMARKS
1	6CE-4820A-00-00	ACTUATOR UNIT	1	
2	90386-08008-00	BUSH	1	
3	97575-08555-00	BOLT, WITH WASHER	4	
4	6CE-44142-10-00	JOINT	1	
5	95380-08600-00	NUT	1	
6	6CE-42195-00-00	PIN, JOINT 1	1	
7	6CE-44122-00-00	BUSHING, SHIFT ROD LEVER	1	
8	90201-08M09-00	WASHER, PLATE	1	
9	90468-18008-00	CLIP	1	
10	6CE-44100-00-00	SHIFT LINK ASSY	1	
11	97575-06525-00	BOLT, WITH WASHER	2	
12	6CE-44121-00-00	LEVER, SHIFT ROD	1	
13	90468-18008-00	CLIP	2	
14	6CE-44118-00-94	BRACKET	1	
15	93604-07M13-00	PIN, DOWEL	2	
16	6CE-44120-10-00	HANDLE GEAR SHIFT ASSY	0	U(30.3")
16	6CE-44120-00-00	HANDLE GEAR SHIFT ASSY	1	X(25.3")
17	93210-09165-00	O-RING	1	
18	90386-11001-00	BUSH	2	
19	95875-06025-00	BOLT, FLANGE	2	
20	90201-11008-00	WASHER, PLATE	1	
21	90386-10001-00	BUSH	1	
22	93410-10082-00	CIRCLIP	1	
23	6CE-68303-00-00	SENSOR ASSY	1	
24	95875-06025-00	BOLT, FLANGE	2	

## Part Notes

F250DET1X 0210 / CONTROL

PART NUMBER	NOTE TEXT
90468-18008-00 	OEM: This part number is among the Top 100 Most Popular Marine Maintenance Parts as of February 2013.
90468-18008-00 	OEM: This part number is among the Top 100 Most Popular Marine Maintenance Parts as of February 2013.






## Part List



F250DET1X 0210 / BRACKET 1

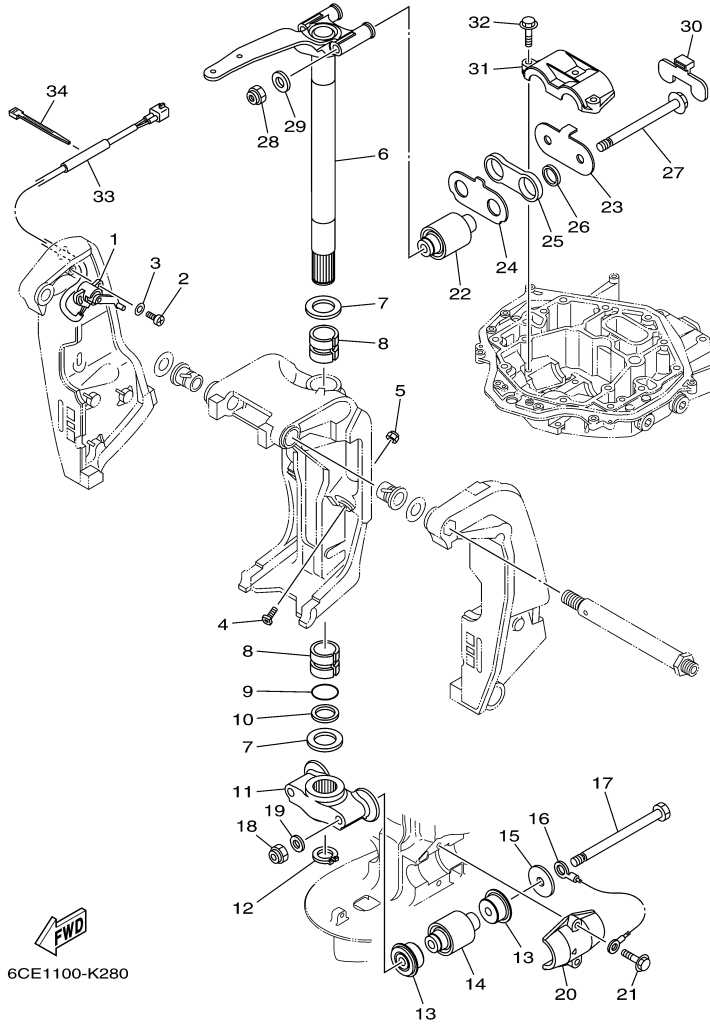
REF - NO	PART NUMBER	PART NAME	QUANTITY	REMARKS
1	69J-43111-01-8D	BRACKET, CLAMP 1	1	
2	6G5-45251-02-00	ANODE	1	
3	6G5-44526-00-00	PLATE	2	
4	97095-06025-00	BOLT	4	
5	92995-06600-00	WASHER	4	
6	6H1-82148-00-00	WIRE, LEAD 4	1	
7	97095-06010-00	BOLT	1	
8	92995-06600-00	WASHER	1	
9	6E5-82148-00-00	WIRE, LEAD 4	1	
10	97885-06012-00	SCREW, PAN HEAD	1	
11	92995-06600-00	WASHER	1	
12	61A-43132-00-00	WASHER, FRICTION	1	
13	97885-06010-00	SCREW, PAN HEAD	2	
14	69J-43112-01-8D	BRACKET, CLAMP 2	1	
15	61A-43133-00-00	WASHER,FRICTION	1	
16	97885-06010-00	SCREW, PAN HEAD	2	
17	93700-06M03-00	NIPPLE, GREASE	1	
18	90465-08M83-00	CLAMP	1	
19	97885-06012-00	SCREW, PAN HEAD	1	
20	92995-06600-00	WASHER	1	
21	6R3-43131-00-00	BOLT, CLAMP BRACKET	1	
22	90386-25M31-00	BUSH	2	
23	90201-26M59-00	WASHER, PLATE	2	
24	90185-22M11-00	NUT, SELF-LOCKING	1	
25	90465-11M10-00	CLAMP	4	
26	90465-08M83-00	CLAMP	1	
27	97095-06014-00	BOLT	1	
28	92995-06600-00	WASHER	1	
29	90119-10024-00	BOLT, WITH WASHER	8	
30	61A-43311-21-8D	BRACKET, SWIVEL 1	1	
31	93700-06M03-00	NIPPLE, GREASE	5	
32	69J-82147-00-00	WIRE, LEAD 5	1	
33	6G5-43144-00-00	HOOK, SPRING	1	
34	97095-06010-00	BOLT	1	
35	61A-43181-01-00	LEVER, TILT STOP 1	1	
36	6G5-43185-02-00	LEVER, TILT STOP 2	1	
37	90386-10M16-00	BUSH	3	
38	6G5-43148-00-00	COLLAR, DISTANCE	2	
39	90249-06M19-00	PIN	1	
40	90387-10M05-00	COLLAR	1	
41	91690-30020-00	PIN, SPRING	2	
42	90506-16003-00	SPRING, TENSION	1	
43	6E5-43126-02-00	PIN, UPPER SHOCK MOUNT	1	
43	6E5-43126-10-00	PIN, UPPER SHOCK MOUNT	1	UR 6CG: 1001239-
44	90386-18M63-00	BUSH	2	
45	90386-18M14-00	BUSH	2	
46	93410-18M02-00	CIRCLIP	1	
46	93410-18M02-00	CIRCLIP	2	UR 6CG: 1001239-
47	90101-12M77-00	BOLT (L:150MM)	2	UR
47	90101-12M05-00	BOLT (L:130MM)	4	UR
48	90201-13M01-00	WASHER, PLATE	8	
49	90201-12M05-00	WASHER, PLATE	4	
50	95380-12600-00	NUT	8	

## Part Notes

F250DET1X 0210 / BRACKET 1

PART NUMBER	NOTE TEXT
6G5-45251-02-00 	OEM: This part number is among the Top 100 Most Popular Marine Maintenance Parts as of February 2013.

93700-06M03-00		OEM: This part number is among the Top 100 Most Popular Marine Maintenance Parts as of February 2013.
93700-06M03-00		OEM: This part number is among the Top 100 Most Popular Marine Maintenance Parts as of February 2013.

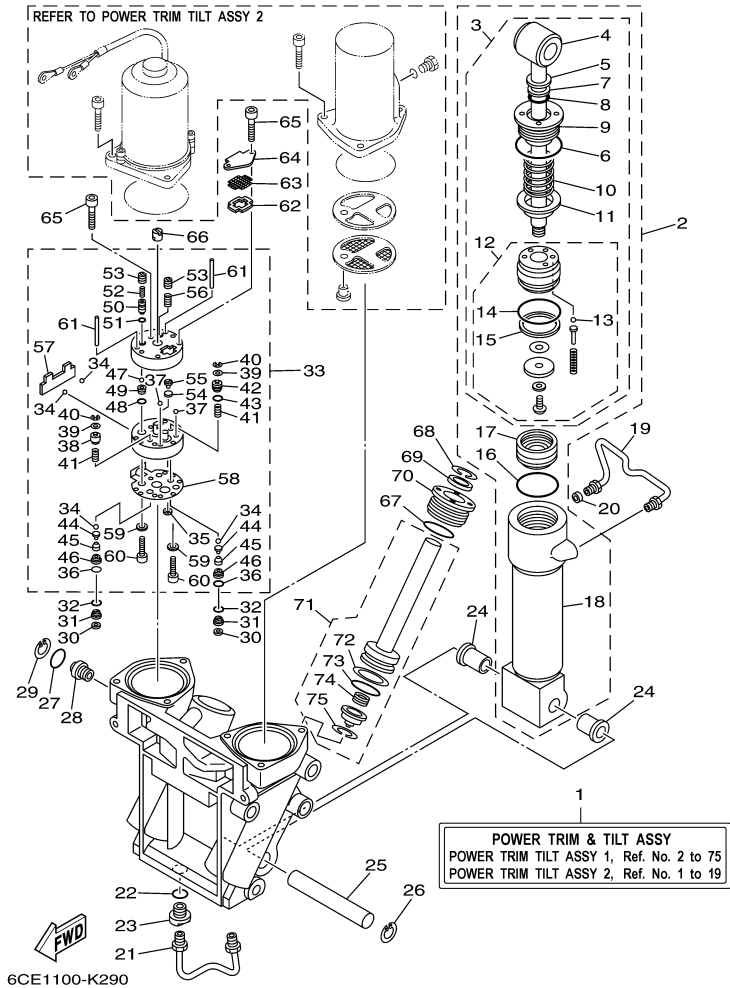


6CE1100-K280

## Part List

F250DET1X 0210 / BRACKET 2

REF - NO	PART NUMBER	PART NAME	QUANTITY	REMARKS
1	69J-83672-11-00	TRIM SENDER	1	
2	97885-06016-00	SCREW, PAN HEAD	2	
3	92995-06600-00	WASHER	2	
4	61A-43376-00-00	BOLT, THRUST RECEIVER	2	
5	95780-10300-00	NUT, FLANGE	2	
6	6CE-42510-00-8D	STEERING BRACKET ASSY	1	
7	90201-40M00-00	WASHER, PLATE	2	
8	90386-39M89-00	BUSH	2	
9	93210-35321-00	O-RING	1	
10	90202-40M47-00	WASHER, PLATE	1	
11	6CE-44551-00-8D	HOUSING, LOWER MOUNT RUBBER 1	1	
12	93410-37M04-00	CIRCLIP	1	
13	6CE-44575-00-94	DAMPER, LOWER MOUNT RUBBER	4	
14	6CE-44555-00-94	MOUNT DAMPER, LOWER SIDE	2	
15	90201-16032-00	WASHER, PLATE	2	
16	6AW-82149-00-00	WIRE, LEAD 3	1	
17	90101-14004-00	BOLT	2	
18	90185-14M00-00	NUT, SELF-LOCKING	2	
19	92995-14600-00	WASHER	2	
20	6CE-44552-00-CA	HOUSING, LOWER MOUNT RUBBER 2	2	
21	90119-10024-00	BOLT, WITH WASHER	4	
22	6CE-44514-00-94	MOUNT DAMPER, UPPER SIDE	2	
23	6CE-44526-00-00	PLATE	1	
24	6CE-44536-00-00	PLATE 2	1	
25	6CE-44532-00-00	STOPPER, UPPER MOUNT	1	
26	90387-28013-00	COLLAR	2	
27	90105-14005-00	BOLT, FLANGE	2	
28	90185-14M00-00	NUT, SELF-LOCKING	2	
29	92995-14600-00	WASHER	2	
30	6CE-44533-00-00	DAMPER, UPPER MOUNT RUBBER	1	
31	6CE-44511-00-94	COVER, UPPER MOUNT	1	
32	90119-10024-00	BOLT, WITH WASHER	3	
33	90446-15003-00	HOSE (L100)	1	
34	90465-11M10-00	CLAMP	1	



## Part List




F250DET1X 0210 / POWER TRIM TILT ASSY 1

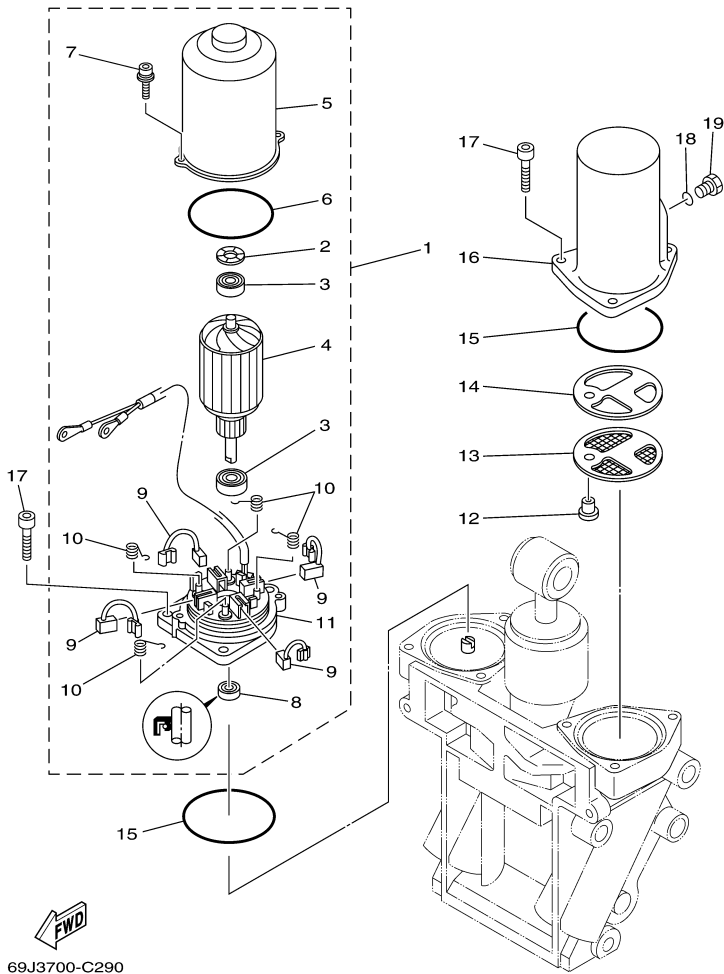
REF - NO	PART NUMBER	PART NAME	QUANTITY	REMARKS
1	69J-43800-04-8D	POWER TRIM & TILT ASSY	1	
2	6CE-43840-00-00	POWER TILT ASSY	1	
3	6CE-43810-00-00	.TILT PISTON SUB ASSY	1	
4	69J-43801-01-00	..ROD	1	
5	93106-19N50-00	..OIL SEAL	1	
6	6H1-43861-00-00	..O-RING	1	
7	6H1-43872-00-00	..RING, BACK UP	1	
8	61A-4389H-00-00	..O-RING	1	
9	61A-43811-00-00	..SCREW, CYLINDER END	1	
10	69J-4384H-00-00	..SPRING	1	
11	69J-4382E-00-00	..ADAPTOR 2	1	
12	6CE-4380P-00-00	..PISTON SUB ASSY	1	
13	93505-32038-00	...BALL	5	
14	61A-43861-00-00	...O-RING	1	
15	61A-43871-00-00	...RING, BACK UP	1	
16	61A-43861-00-00	.O-RING	1	
17	6H1-43814-00-00	.PISTON, FREE	1	
18	61A-43813-01-00	.CYLINDER, TILT	1	
19	61A-43835-01-00	PIPE	1	
20	69J-4388J-00-00	PLUG 2	1	
21	69J-43833-00-00	PIPE	1	
22	93210-17239-00	O-RING	1	
23	69J-4388E-01-00	BOLT ,SCREW	1	
24	90386-18M14-00	BUSH	2	
25	61A-43818-00-00	PIN, LOWER SHOCK MOUNT	1	
26	61A-43876-00-00	RING, SNAP	1	
27	93210-18397-00	O-RING	1	
28	69J-43845-00-00	SCREW, MANUAL RELEASE	1	
29	6H1-43875-00-00	RING, SNAP	1	
30	69J-4381C-00-00	.FILTER 3	2	
31	69J-43899-01-00	PLATE STOPPER	2	
32	69J-4389J-00-00	.O-RING	2	
33	69J-43830-01-00	GEAR PUMP ASSY	1	
34	93505-32038-00	.BALL	4	
35	69J-4381C-00-00	.FILTER 3	1	
36	69J-4389J-00-00	.O-RING	2	
37	93503-16003-00	.BALL	2	
38	6CJ-4384M-00-00	.PISTON, SHUTTLE 2	1	
39	69A-4384F-00-00	.SEAL, MAIN VALVE	2	
40	99002-03600-00	.CLIP	2	
41	69J-43894-00-00	.SPRING, SHUTTLE RETURN	2	
42	6CJ-43841-00-00	.PISTON, SHUTTLE	1	
43	6H1-43883-00-00	.O-RING	1	
44	60V-4386A-00-00	.PIN, ABSORBER VALVE	2	
45	69J-43853-00-00	.SPRING, MAIN VALVE	2	
46	6CJ-43893-00-00	.WASHER	2	
47	93501-08001-00	.BALL	2	
48	93210-08391-00	.O-RING	1	
49	69J-43851-00-00	.SEAT, RELIEF VALVE	1	
50	6CJ-43844-00-00	.PIN, VALVE SUPPORT	1	
51	93210-064A5-00	.O-RING	1	
52	69J-43855-00-00	.SPRING, UP RELIEF	1	
53	6CJ-43843-00-00	.SCREW, VALVE LOCK	2	
54	6H1-4384G-11-00	.SEAL, RELIEF VALVE	1	
55	6H1-43844-10-00	.PIN, VALVE SUPPORT	1	
56	6H1-43856-10-00	.SPRING, DOWN RELIEF	1	
57	69J-43854-00-00	.SPRING, MANUAL RELEASE	1	
58	69J-4384G-00-00	.SEAL, RELIEF VALVE	1	
59	CS3-4387G-00-00	.WASHER	2	
60	91318-05025-00	.BOLT	2	

61	93604-35236-00	.PIN, DOWEL	2	
62	69J-43871-00-00	RING, BACK UP	1	
63	69J-43816-00-00	FILTER 1	1	
64	69J-4381J-00-00	PLATE	1	
65	91318-05040-00	BOLT	3	
66	69J-43831-00-00	CONNECTOR, SHAFT	1	
67	61A-43861-00-00	O-RING	2	
68	6T4-43875-01-00	RING, SNAP	2	
69	61A-43822-00-00	SEAL, TRIM DUST	2	
70	61A-43821-00-00	SCREW, TRIM CYLINDER END	2	
71	69J-43820-00-00	TRIM PISTON SUB ASSY	2	
72	61A-43874-00-00	.RING, BACK UP	1	
73	61A-43864-00-00	.O-RING	1	
74	61A-4384H-10-00	.SPRING	1	
75	61A-43875-10-00	.RING, SNAP	1	

## Part Notes

F250DET1X 0210 / POWER TRIM TILT ASSY 1

PART NUMBER		NOTE TEXT
6T4-43875-01-00		OEM: This part number is among the Top 100 Most Popular Marine Maintenance Parts as of February 2013.
61A-43822-00-00		OEM: This part number is among the Top 100 Most Popular Marine Maintenance Parts as of February 2013.
61A-43821-00-00		OEM: This part number is among the Top 100 Most Popular Marine Maintenance Parts as of February 2013.



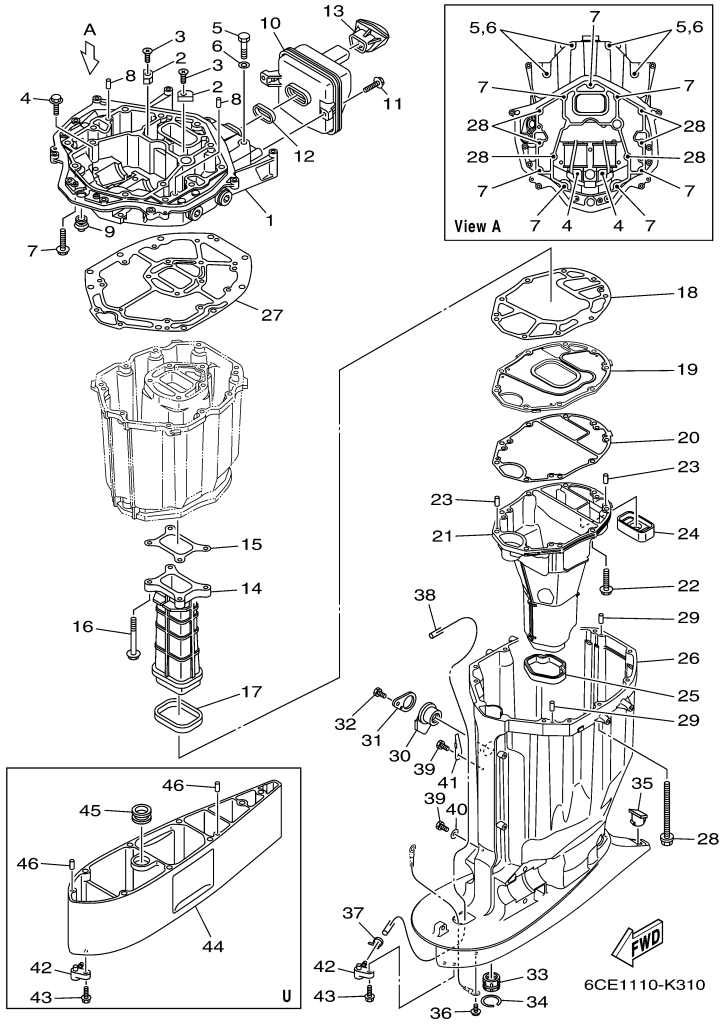
69J3700-C290



## Part List

F250DET1X 0210 / POWER TRIM TILT ASSY 2

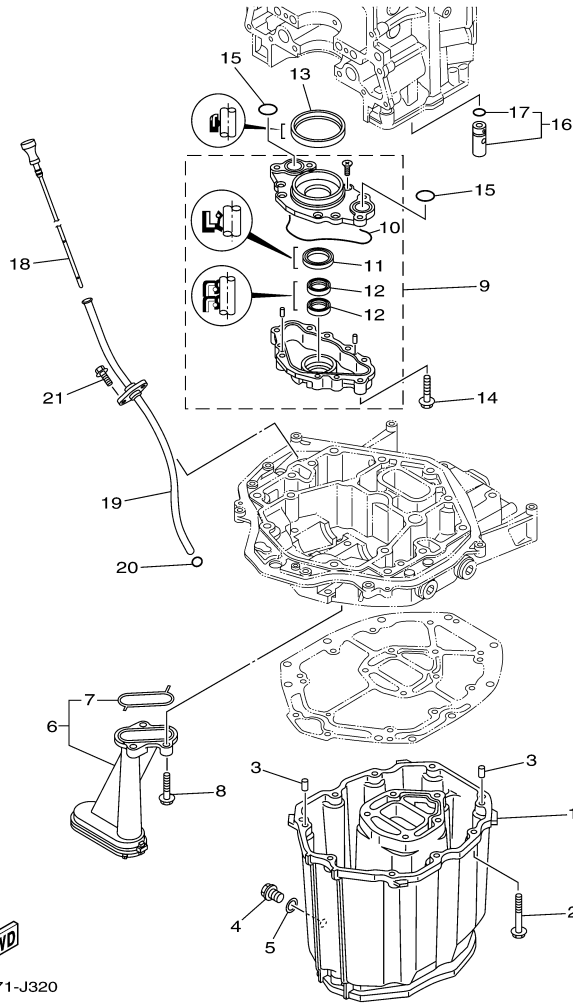
REF - NO	PART NUMBER	PART NAME	QUANTITY	REMARKS
1	69J-43880-01-00	MOTOR ASSY	1	
2	90206-14N50-00	.WASHER, WAVE	1	
3	93399-999T6-00	.BEARING	2	
4	69J-43805-00-00	.ARMATURE ASSY	1	
5	69J-43804-00-00	.STATOR ASSY	1	
6	69J-43861-00-00	.O-RING	1	
7	69J-43886-00-00	.BOLT	2	
8	69J-43882-00-00	.OIL SEAL	1	
9	69J-43891-00-00	.BRUSH 1	4	
10	69J-4386K-00-00	.SPRING, BRUSH	4	
11	69J-43881-01-00	.FRAME, END	1	
12	69J-4388H-00-00	PLUG	1	
13	69J-43817-00-00	FILTER 2	1	
14	69J-4388F-00-00	SPACER	1	
15	6H1-43869-00-00	O-RING	2	
16	69J-43828-00-00	BODY, RESERVOIR	1	
17	69J-43888-00-00	BOLT, SOCKET	6	
18	93210-09165-00	O-RING	1	
19	6H1-43829-00-00	PLUG, RESERVOIR	1	



## Part List

F250DET1X 0210 / UPPER CASING

REF - NO	PART NUMBER	PART NAME	QUANTITY	REMARKS
1	6CE-41137-00-CA	GUIDE, EXHAUST	1	
2	63P-11325-11-00	.ANODE	2	
3	90151-06M02-00	SCREW, COUNTERSUNK	2	
4	90119-08102-00	BOLT, WITH WASHER	2	
5	97075-10045-00	BOLT	4	
6	92995-10600-00	WASHER	4	
7	97575-10535-00	BOLT, WITH WASHER	7	
8	93608-16M16-00	PIN, DOWEL	2	
9	6E5-42724-00-00	GROMMET	1	
10	6CB-14750-00-00	SILENCER ASSY	1	
11	95875-06020-00	BOLT, FLANGE	2	
12	6CB-14755-00-00	.GASKET, SILENCER	1	
13	6CB-42769-00-00	.SEAL, RUBBER	1	
14	6CB-41132-00-9S	MANIFOLD, EXHAUST	1	
15	6CB-41134-00-00	.GASKET, EXHAUST MANIFOLD	1	
16	97575-08560-00	BOLT, WITH WASHER	4	
17	6CB-41138-00-00	.SEAL, EXT. 1	1	
18	6CB-41135-00-00	.GASKET, EXHAUST MANIFOLD	1	
19	6CE-45181-00-9S	PLATE	1	
20	6CE-41136-00-00	.GASKET, EXHAUST MANIFOLD 4	1	
21	6CE-14711-00-9S	MUFFLER 1	1	
22	97575-08535-00	BOLT, WITH WASHER	9	
23	93606-19M23-00	PIN, DOWEL	2	
24	6CE-45127-00-00	.SEAL	1	
25	6CE-45123-00-00	.GASKET, MUFFLER	1	
26	6CE-45111-00-8D	CASING, UPPER	1	
27	6CB-45113-00-00	.GASKET, UPPER CASING	1	
28	90119-10007-00	BOLT, WITH WASHER	6	
29	93608-16M16-00	PIN, DOWEL	2	
30	6BB-15316-00-00	DAMPER 1	1	
31	6BB-45152-01-00	COVER, UPPER CASING 2	1	
32	97095-06014-00	BOLT	1	
33	69J-45318-01-00	BUSHING, DRIVE SHAFT	1	
34	93420-36M01-00	CIRCLIP	1	
35	61A-45155-00-00	CAP	1	
36	95895-06010-00	BOLT, FLANGE	1	
37	90465-11M10-00	CLAMP	1	
38	90445-07034-00	HOSE (L2470)	1	X(25.3") FOR LAN
39	97095-06010-00	BOLT	2	
40	90201-06M02-00	WASHER, PLATE	1	
41	90462-10061-00	CLAMP	1	
42	63P-45379-00-00	NIPPLE, HOSE	1	
43	90119-06M18-00	BOLT, WITH WASHER	1	



  
6CB1171-J320


## Part List

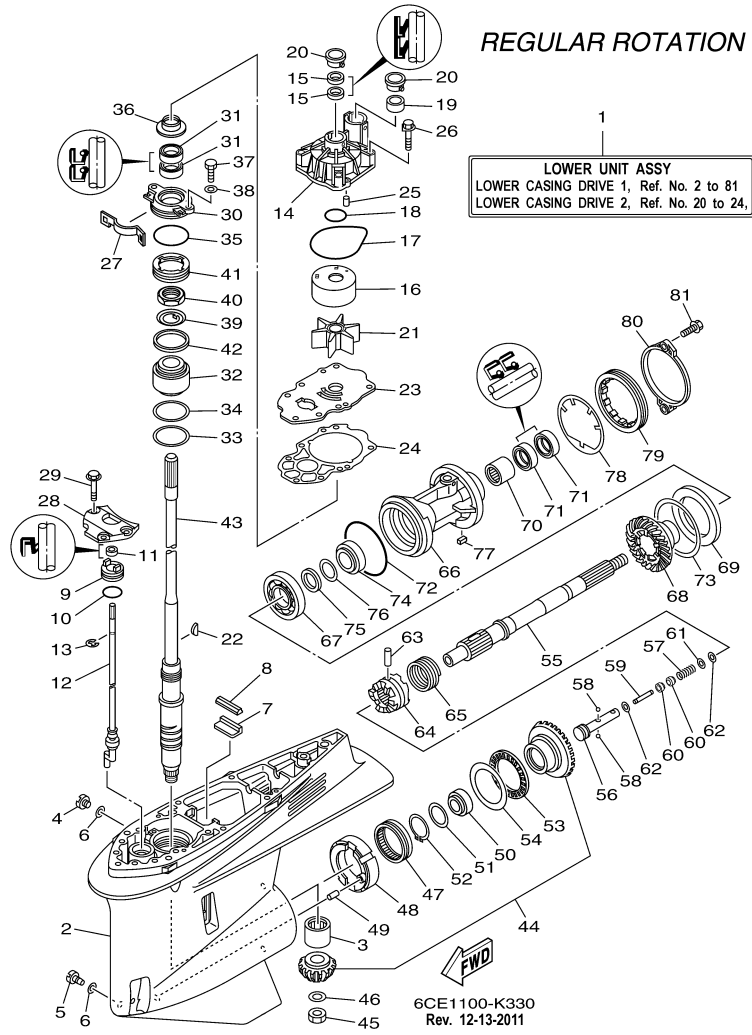
F250DET1X 0210 / OIL PAN

REF - NO	PART NUMBER	PART NAME	QUANTITY	REMARKS
1	6CB-15311-00-CA	OIL PAN	1	
2	97575-08535-00	BOLT, WITH WASHER	10	
3	93608-16M16-00	PIN, DOWEL	2	
4	90340-14M06-00	PLUG, STRAIGHT SCREW	1	
5	90430-14M09-00	.GASKET	1	
6	6CB-13411-00-00	STRAINER, OIL	1	
7	6AW-13415-00-00	.SEAL, OIL STRAINER	1	
8	95812-06025-00	BOLT, FLANGE	3	
9	6CB-13300-00-00	OIL PUMP ASSY	1	
10	6CB-13329-00-00	.GASKET, PUMP COVER	1	
11	6AW-13119-00-00	.OIL SEAL	1	
12	69J-13631-00-00	.OIL SEAL	2	
13	6CB-11355-00-00	.SEAL, CYLINDER 1	1	
14	95875-06040-00	BOLT, FLANGE	4	
15	93210-26658-00	.O-RING	2	
16	6CB-13490-00-00	RELIEF VALVE ASSY	1	
17	6CB-13473-00-00	.O-RING	1	
18	6CB-15362-00-00	PLUG, OIL LEVEL	1	
19	6CB-15377-00-00	GUIDE, INLET	1	
20	93210-19MJ3-00	.O-RING	1	
21	95875-06016-00	BOLT, FLANGE	2	

## Part Notes

F250DET1X 0210 / OIL PAN

PART NUMBER	NOTE TEXT
90430-14M09-00 	OEM: This part number is among the Top 100 Most Popular Marine Maintenance Parts as of February 2013.



## Part List





F250DET1X 0210 / LOWER CASING DRIVE 1

REF - NO	PART NUMBER	PART NAME	QUANTITY	REMARKS
1	6CE-45300-00-8D	LOWER UNIT ASSY	1	X(25.3")
2	6CE-45301-00-8D	CASING, LOWER	1	
3	93311-83280-00	BEARING	1	
4	90340-08002-00	PLUG, STRAIGHT SCREW	1	
5	688-45341-10-00	PLUG, DRAIN	1	
6	90430-08020-00	.GASKET	2	
7	663-45376-00-00	GUIDE, SEAL DAMPER	1	
8	6CE-45375-00-00	DAMPER, SEAL	1	
9	65N-45321-00-00	PLATE	1	
10	93210-33M49-00	.O-RING	1	
11	93106-09014-00	.OIL SEAL	1	
12	6CE-44150-00-00	SHIFT CAM ASSY	1	
13	99001-08600-00	CIRCLIP	1	
14	6CE-44311-00-00	HOUSING, WATER PUMP	1	
15	93104-22M07-00	.OIL SEAL	2	
16	6AW-44322-00-00	.INSERT, CARTRIDGE	1	
17	93210-94003-00	.O-RING	1	
18	93210-37160-00	.O-RING	1	
19	6AW-44365-00-00	.DAMPER, WATER SEAL 1	1	
20	6AW-44312-00-00	COVER, WATER PUMP HOUSING	2	
21	6CE-44352-00-00	.IMPELLER	1	
22	90280-04002-00	.KEY, WOODRUFF	1	
23	6CE-44323-00-00	.OUTER PLATE, CARTRIDGE	1	
24	6CE-44315-00-00	.GASKET, WATER PUMP	1	
25	93606-12019-00	PIN, DOWEL	2	
26	90119-08M14-00	.BOLT, WITH WASHER	4	
27	6AW-45723-00-00	PLATE, SEAL	1	
28	6CB-44312-00-00	COVER, WATER PUMP HOUSING	1	
29	90119-08M32-00	BOLT, WITH WASHER	3	
30	6CE-45335-00-9S	HOUSING, OIL SEAL	1	
31	93101-28M16-00	.OIL SEAL	2	
32	93399-99966-00	BEARING	1	
33	90201-62008-00	WASHER, PLATE	1	
34	6CE-45587-00-00	SHIM (T:0.10MM)	1	UR
34	6CE-45587-10-00	SHIM (T:0.12MM)	1	UR
34	6CE-45587-20-00	SHIM (T:0.15MM)	1	UR
34	6CE-45587-30-00	SHIM (T:0.18MM)	1	UR
34	6CE-45587-40-00	SHIM (T:0.30MM)	1	UR
34	6CE-45587-50-00	SHIM (T:0.40MM)	1	UR
34	6CE-45587-60-00	SHIM (T:0.50MM)	1	UR
35	93210-64488-00	O-RING	1	
36	6AW-45344-00-00	COVER, OIL SEAL	1	
37	97095-08020-00	BOLT	2	
38	92995-08600-00	WASHER	2	
39	90214-30003-00	WASHER, CLAW	1	
40	90170-30M18-00	NUT	1	
41	6CE-45244-00-00	NUT	1	
42	6CE-45539-00-00	SPACER 2	1	
43	6CE-45501-00-00	DRIVE SHAFT COMP.	1	X(25.3")
44	6CE-45550-00-00	GEAR SET	1	
45	90170-16M19-00	NUT	1	
46	90201-16M00-00	WASHER, PLATE	1	
47	93311-85894-00	BEARING	1	
48	6CB-45824-00-00	ADAPTER	1	
49	93608-16M16-00	PIN, DOWEL	1	
50	93332-000A4-00	BEARING	1	
51	90201-41008-00	WASHER, PLATE	1	
52	99009-47500-00	CIRCLIP	1	

53	93340-67011-00	BEARING	1	
54	6CB-45567-00-00	SHIM (T:2.00MM)	1	UR
54	6CB-45567-10-00	SHIM (T:2.03MM)	1	UR
54	6CB-45567-20-00	SHIM (T:2.06MM)	1	UR
54	6CB-45567-30-00	SHIM (T:2.09MM)	1	UR
54	6CB-45567-40-00	SHIM (T:2.12MM)	1	UR
54	6CB-45567-50-00	SHIM (T:2.15MM)	1	UR
55	6CB-45611-00-00	SHAFT, PROPELLER	1	
56	6CB-45634-00-00	SLIDE, SHIFT	1	
57	90501-10M77-00	SPRING, COMPRESSION	1	
58	93501-04011-00	BALL	2	
59	6H1-45668-00-00	SHAFT, FREE 1	1	
60	61A-45635-00-00	PLUNGER, SHIFT	2	
61	90201-02M00-00	WASHER, PLATE	1	
62	90183-02M03-00	NUT, SPRING	2	
63	90250-08M07-00	PIN, STRAIGHT	1	
64	6CE-45631-00-00	CLUTCH, DOG	1	
65	6E5-45633-01-00	RING, CROSS PIN	1	
66	6CB-45332-00-CA	HOUSING, BEARING	1	
67	93306-209U0-00	BEARING	1	
68	6CE-45571-00-00	GEAR 2 (21T)	1	
69	6CB-45576-00-00	WASHER, THRUST 2	1	
70	93315-43061-00	BEARING	1	
71	93101-30M17-00	.OIL SEAL	2	
72	93211-02001-00	.O-RING	1	
73	6CB-45577-00-00	SHIM (T:0.10MM)	1	UR
73	6CB-45577-10-00	SHIM (T:0.12MM)	1	UR
73	6CB-45577-20-00	SHIM (T:0.15MM)	1	UR
73	6CB-45577-30-00	SHIM (T:0.18MM)	1	UR
73	6CB-45577-40-00	SHIM (T:0.30MM)	1	UR
73	6CB-45577-50-00	SHIM (T:0.40MM)	1	UR
73	6CB-45577-60-00	SHIM (T:0.50MM)	1	UR
74	93332-000A5-00	BEARING	1	
75	90201-32008-00	WASHER, PLATE	1	
76	676-45567-00-00	SHIM (T:0.7MM)	1	UR
76	676-45567-10-00	SHIM (T:0.8MM)	1	UR
76	676-45567-20-00	SHIM (T:0.9MM)	1	UR
76	676-45567-30-00	SHIM (T:1.0MM)	1	UR
76	676-45567-40-00	SHIM (T:1.1MM)	1	UR
76	676-45567-50-00	SHIM (T:1.2MM)	1	UR
77	90282-05008-00	KEY, STRAIGHT	1	
78	6CB-45383-00-00	WASHER, CLAW	1	
79	6CB-45384-00-00	NUT	1	
80	6CE-45361-10-00	CAP, LOWER CASING	1	
81	90105-08M61-00	BOLT, FLANGE	2	

## Part Notes

F250DET1X 0210 / LOWER CASING DRIVE 1

PART NUMBER		NOTE TEXT
90430-08020-00		OEM: This part number is among the Top 100 Most Popular Marine Maintenance Parts as of February 2013.
93106-09014-00		OEM: This part number is among the Top 100 Most Popular Marine Maintenance Parts as of February 2013.
93101-28M16-00		OEM: This part number is among the Top 100 Most Popular Marine Maintenance Parts as of February 2013.
93101-30M17-00		OEM: This part number is among the Top 100 Most Popular Marine Maintenance Parts as of February 2013.








## Part List

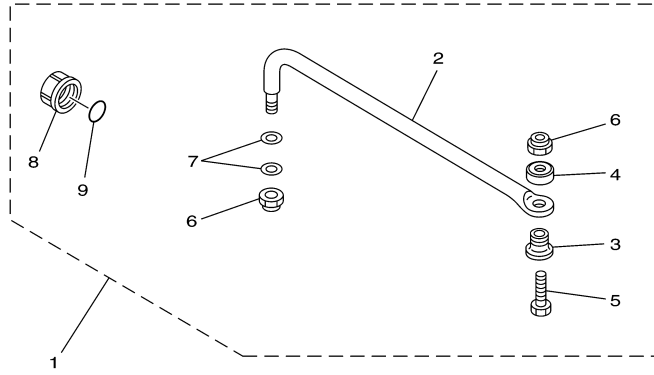
F250DET1X 0210 / LOWER CASING DRIVE 2

REF - NO	PART NUMBER	PART NAME	QUANTITY	REMARKS
1	6AW-44365-00-00	.DAMPER, WATER SEAL 1	1	
2	6AW-44366-00-00	DAMPER, WATER SEAL 2	1	
3	6CE-44361-00-00	TUBE, WATER 1	1	X(25.3")
4	93608-16M16-00	PIN, DOWEL	2	
5	90119-10038-00	BOLT, WITH WASHER	7	X(25.3")
9	97575-10570-00	BOLT, WITH WASHER	1	X(25.3")
10	6P2-45214-00-00	COVER, WATER INLET 1	1	
11	6P2-45215-00-00	COVER, WATER INLET 2	1	
12	90152-05M08-00	SCREW, COUNTERSUNK	1	
13	90185-05002-00	NUT, NYLON	1	
14	6CE-45224-00-00	COVER, WATER INLET 3	1	
15	6CE-45225-00-00	COVER, WATER INLET 4	1	
16	90185-05002-00	.NUT, NYLON	1	
17	90110-05039-00	BOLT, HEXAGON SOCKET HEAD	1	
18	61A-45371-00-00	TAB, TRIM	1	
19	90105-10M00-00	BOLT, FLANGE	1	
20	63P-45378-00-00	NIPPLE, HOSE	1	
21	93210-07003-00	.O-RING	1	
22	6D0-44367-00-00	DAMPER, WATER SEAL 3	1	
23	6D0-44362-01-00	TUBE, WATER 2	1	
24	6D0-44366-00-00	DAMPER, WATER SEAL 2	2	
25	69J-45987-00-00	SPACER 1	1	
26	6CE-45997-00-00	SPACER 2	1	UR SWS II SDS PROP.
27	92990-18200-00	WASHER	1	
28	90171-18M04-00	NUT, CASTLE	1	
29	91490-40030-00	PIN. COTTER	1	
30	6CE-45974-00-00	PROPELLER (3X14-3/4"X23"-T)	1	UR SWS II SDS PROP.
30	6CE-45976-00-00	PROPELLER (3X15-3/4"X15"-T)	1	UR SWS II SDS PROP.
30	6CE-45978-00-00	PROPELLER (3X15-1/2"X17"-T)	1	UR SWS II SDS PROP.
30	6CE-45B70-00-00	PROPELLER (4X15"X21"-T)	1	UR SWS II SDS 4 BLADE PROP.
30	6CE-45B72-00-00	PROPELLER (4X15"X22"-T)	1	UR SWS II SDS 4 BLADE PROP.
30	6CE-45972-00-00	PROPELLER (3X15"X21"-T)	1	UR SWS II SDS PROP.
30	6CE-45B74-00-00	PROPELLER (4X15"X23"-T)	1	UR SWS II SDS 4 BLADE PROP.
30	6CE-45930-00-00	PROPELLER (3X15-3/4"X13"-T)	1	UR SWS II SDS PROP.
30	6CE-45970-00-00	PROPELLER (3X15-1/4"X19"-T)	1	UR SWS II SDS PROP.
31	6CE-45C81-00-00	..DAMPER RUBBER, PROPELLER 1	1	UR SWS II SDS PROP.
32	688-45997-01-00	SPACER 2	1	UR NON-SDS PROP.

## Part Notes

F250DET1X 0210 / LOWER CASING DRIVE 2

PART NUMBER		NOTE TEXT
61A-45371-00-00		OEM: This part number is among the Top 100 Most Popular Marine Maintenance Parts as of February 2013.
90105-10M00-00		OEM: This part number is among the Top 100 Most Popular Marine Maintenance Parts as of February 2013.
91490-40030-00		OEM: This part number is among the Top 100 Most Popular Marine Maintenance Parts as of February 2013.

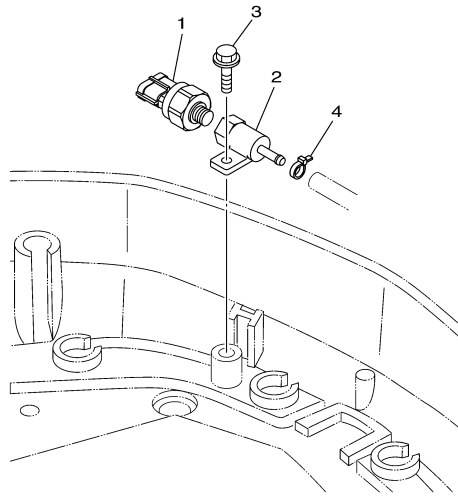


67H0100-9290

# Part List

F250DET1X 0210 / STEERING GUIDE

REF - NO	PART NUMBER	PART NAME	QUANTITY	REMARKS
1	6E5-61350-02-00	STEERING GUIDE ATTACHMENT KIT	1	AP
2	6E5-61351-01-00	.ROD, STEERING LINK	1	
3	90387-10M61-00	.COLLAR	1	
4	90560-12M01-00	.SPACER	1	
5	6E5-61355-00-00	.BOLT	1	
6	90185-09M01-00	.NUT, SELF-LOCKING	2	
7	90201-10M20-00	.WASHER, PLATE	2	
8	6E5-43145-01-00	.CAP, CLAMP BRACKET	1	
9	93210-16275-00	.O-RING	1	

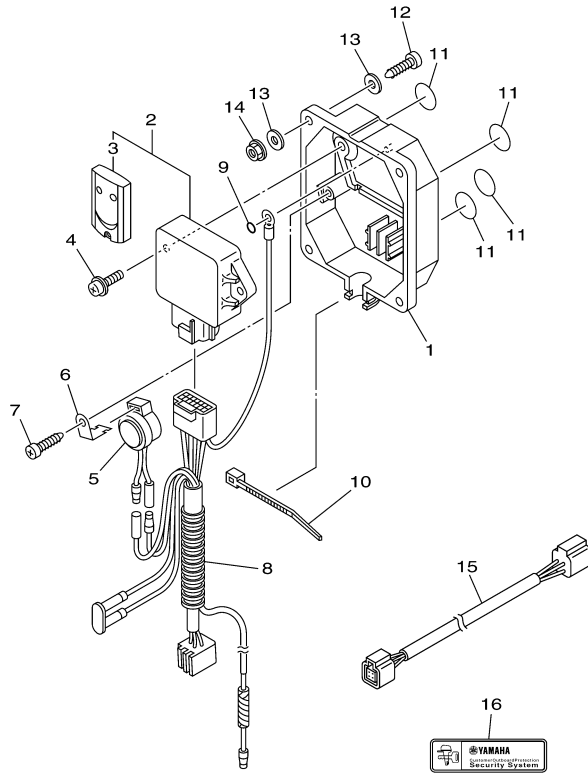


6CE1100-K390

# Part List

F250DET1X 0210 / OPTIONAL PARTS 1

REF - NO	PART NUMBER	PART NAME	QUANTITY	REMARKS
1	6AW-8366B-00-00	.SENSOR, WATER PRESSURE	1	FOR LAN SPEED
2	60V-8366D-00-00	.ADAPTOR, INPUT	1	FOR LAN SPEED
3	95895-06016-00	BOLT, FLANGE	1	FOR LAN SPEED
4	90465-11M10-00	CLAMP	1	FOR LAN SPEED



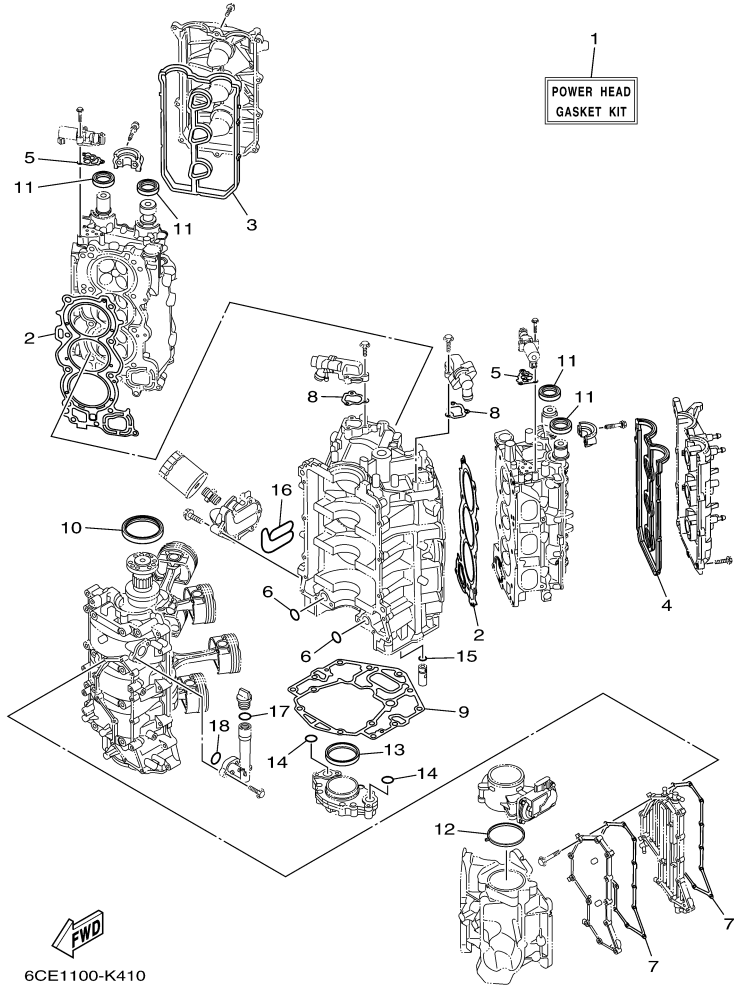
6CJ1100-K370

## Part List

F250DET1X 0210 / OPTIONAL PARTS 2

REF - NO	PART NUMBER	PART NAME	QUANTITY	REMARKS
1	6Y8-86267-00-00	CASE COMPLETE 1	1	
2	6Y8-86260-10-00	REMOTE CONTROL UNIT ASSY	1	
3	6AA-86261-20-00	.TRANSMITTER COMP	2	
4	97980-06216-00	SCREW, WITH WASHER	2	
5	6X4-83383-00-00	BUZZER	1	
6	6X4-83386-00-00	STAY, BUZZER	1	
7	97780-60620-00	SCREW, TAPPING	1	
8	6Y8-82509-10-00	WIRE, SUB LEAD	1	
9	93210-04279-00	O-RING	1	
10	90465-11M10-00	CLAMP	1	
11	6Y8-8454G-00-00	PATCH 1	4	
12	97880-06035-00	SCREW, PAN HEAD	4	UR
12	90167-06M00-00	SCREW, TAPPING	4	UR
13	90201-06M30-00	WASHER, PLATE	8	
14	95780-06300-00	NUT, FLANGE	4	
15	6Y8-82521-11-00	2FT PIGTAIL BUS	1	
16	6Y8-48277-00-00	STICKER 1	4	

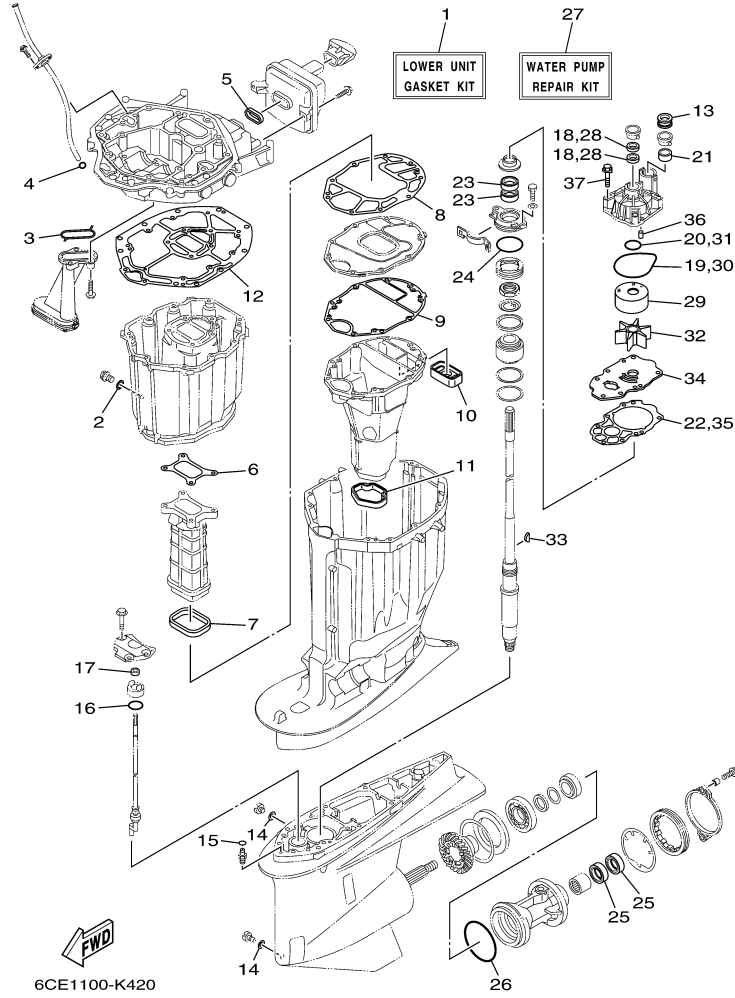




## Part List

F250DET1X 0210 / REPAIR KIT 1

REF - NO	PART NUMBER	PART NAME	QUANTITY	REMARKS
1	6CB-W0001-00-00	POWER HEAD GASKET KIT	1	
2	6CB-11181-00-00	.GASKET, CYLINDER HEAD 1	2	
3	6CB-11193-00-00	.GASKET, HEAD COVER 1	1	
4	6CB-11194-00-00	.GASKET, HEAD COVER 2	1	
5	6CB-1242F-00-00	.GASKET, FILTER	2	
6	93210-26658-00	.O-RING	2	
7	6CB-15451-00-00	.GASKET, CRANKCASE COVER 1	2	
8	6CB-12427-00-00	.GASKET, HOUSING COVER 1	2	
9	6CB-11351-00-00	.GASKET, CYLINDER	1	
10	93102-85008-00	.OIL SEAL	1	
11	93102-38008-00	.OIL SEAL	4	
12	6CB-13556-00-00	.GASKET, MANIFOLD	1	
13	6CB-11355-00-00	.SEAL, CYLINDER 1	1	
14	93210-26658-00	.O-RING	2	
15	6CB-13473-00-00	.O-RING	1	
16	6CB-13477-00-00	.GASKET	1	
17	93210-24M79-00	.O-RING	1	
18	93210-27370-00	.O-RING	1	








# Part List

F250DET1X 0210 / REPAIR KIT 2

REF - NO	PART NUMBER	PART NAME	QUANTITY	REMARKS
1	6CE-W0001-20-00	LOWER UNIT GASKET KIT	1	
2	90430-14M09-00	.GASKET	1	
3	6AW-13415-00-00	.SEAL, OIL STRAINER	1	
4	93210-19MJ3-00	.O-RING	1	
5	6CB-14755-00-00	.GASKET, SILENCER	1	
6	6CB-41134-00-00	.GASKET, EXHAUST MANIFOLD	1	
7	6CB-41138-00-00	.SEAL, EXT 1	1	
8	6CB-41135-00-00	.GASKET, EXHAUST MANIFOLD	1	
9	6CE-41136-00-00	.GASKET, EXHAUST MANIFOLD 4	1	
10	6CE-45127-00-00	.SEAL	1	
11	6CE-45123-00-00	.GASKET, MUFFLER	1	
12	6CB-45113-00-00	.GASKET, UPPER CASING	1	
13	6AW-44366-00-00	.DAMPER, WATER SEAL 2	1	
14	90430-08020-00	.GASKET	2	
15	93210-07003-00	.O-RING	1	
16	93210-33M49-00	.O-RING	1	
17	93106-09014-00	.OIL SEAL	1	
18	93104-22M07-00	.OIL SEAL	2	
19	93210-94003-00	.O-RING	1	
20	93210-37160-00	.O-RING	1	
21	6AW-44365-00-00	.DAMPER, WATER SEAL 1	1	
22	6CE-44315-00-00	.GASKET, WATER PUMP	1	
23	93101-28M16-00	.OIL SEAL	2	
24	93210-64488-00	.O-RING	1	
25	93101-30M17-00	.OIL SEAL	2	
26	93211-02001-00	.O-RING	1	
27	6CE-W0078-00-00	WATER PUMP REPAIR KIT	1	
28	93104-22M07-00	.OIL SEAL	2	
29	6AW-44322-00-00	.INSERT, CARTRIDGE	1	
30	93210-94003-00	.O-RING	1	
31	93210-37160-00	.O-RING	1	
32	6CE-44352-00-00	.IMPELLER	1	
33	90280-04002-00	.KEY, WOODRUFF	1	
34	6CE-44323-00-00	.OUTER PLATE, CARTRIDGE	1	
35	6CE-44315-00-00	.GASKET, WATER PUMP	1	
36	93606-12019-00	.PIN, DOWEL	2	
37	90119-08M14-00	.BOLT, WITH WASHER	4	

# Part Notes

F250DET1X 0210 / REPAIR KIT 2

PART NUMBER	NOTE TEXT
90430-14M09-00 	OEM: This part number is among the Top 100 Most Popular Marine Maintenance Parts as of February 2013.
90430-08020-00 	OEM: This part number is among the Top 100 Most Popular Marine Maintenance Parts as of February 2013.
93106-09014-00 	OEM: This part number is among the Top 100 Most Popular Marine Maintenance Parts as of February 2013.
93101-28M16-00 	OEM: This part number is among the Top 100 Most Popular Marine Maintenance Parts as of February 2013.
93101-30M17-00 	OEM: This part number is among the Top 100 Most Popular Marine Maintenance Parts as of February 2013.