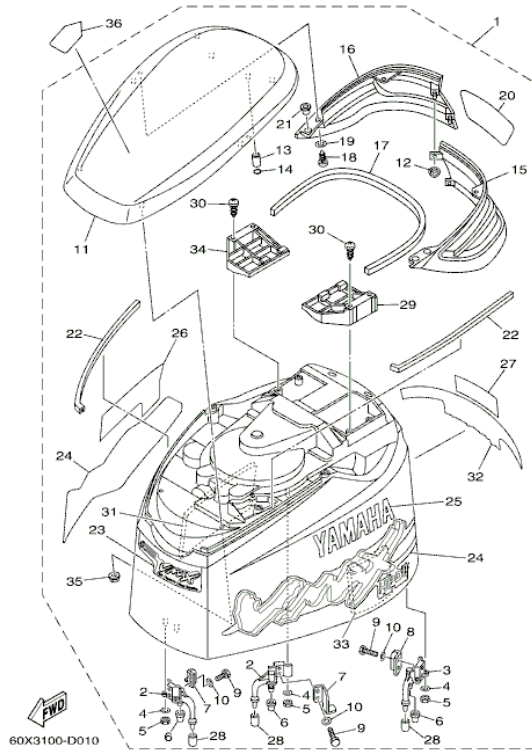


VZ225TLRD 2005 / TOP COWLING



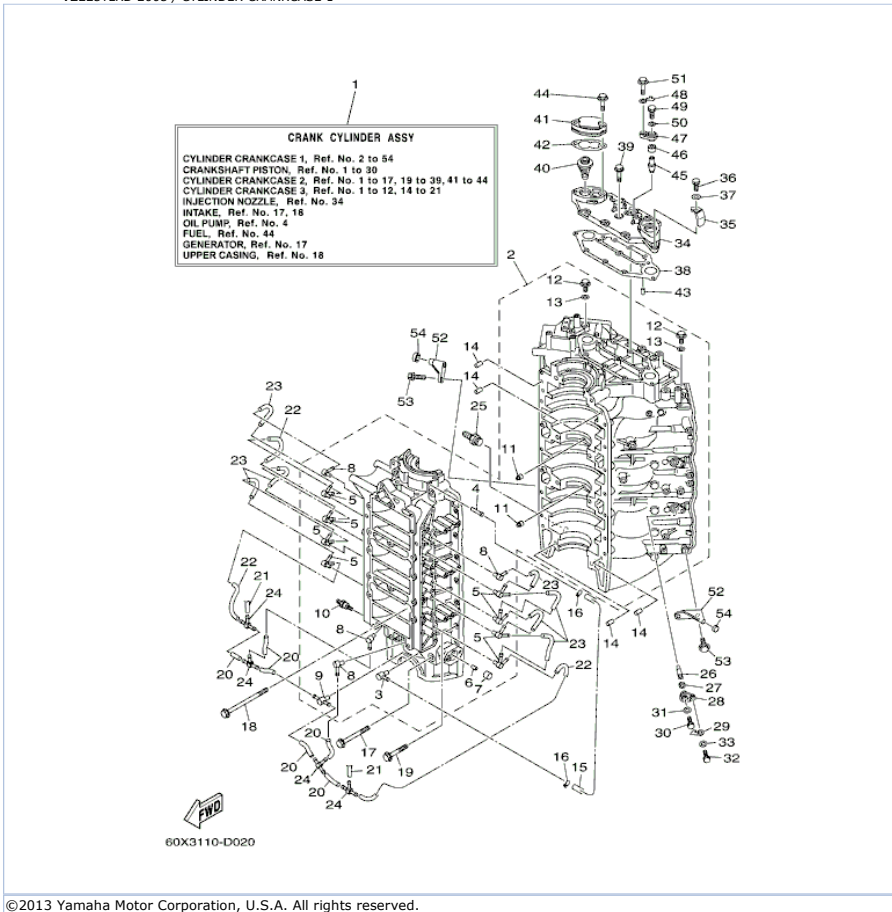
©2013 Yamaha Motor Corporation, U.S.A. All rights reserved.

Part List

VZ225TLRD 2005 / TOP COWLING

REF - NO	PART NUMBER	PART NAME	QUANTITY	REMARKS
1	60Y-42610-00-NA	TOP COWLING ASSY	1	UR VZ225
2	68F-42647-01-94	.HOLDER, CLAMP BAND	2	
3	68F-42648-01-94	.HOLDER, CLAMP BAND	1	
4	92990-06100-00	.WASHER, SPRING	6	
5	95380-06600-00	.NUT, HEXAGON	6	
6	68F-42663-00-00	.DAMPER	3	
7	60V-42651-01-00	.HOOK	2	
8	60V-42652-00-00	.HOOK	1	
9	97095-06016-00	.BOLT	6	
10	92995-06600-00	.WASHER	6	
11	60X-42613-01-NA	.MOLDING, AIR DUCT	1	
12	90179-06M24-00	.NUT	2	
13	90387-06011-00	.COLLAR	2	
14	93210-06270-00	.O-RING	2	
15	60X-42636-01-NA	.LOUVER 2	1	
16	60X-42636-11-NA	.LOUVER 2	1	
17	60X-42662-00-00	.DAMPER	1	
18	97780-50616-00	.SCREW, TAPPING	4	
19	92990-05200-00	.WASHER, PLAIN	4	
20	60X-42687-00-00	.EMBLEM, REAR	1	
21	90387-06095-00	.COLLAR	2	
22	60V-42662-00-00	.DAMPER	2	
23	60Y-42677-00-00	.GRAPHIC, FRONT	1	
24	60X-W0070-00-00	.GRAPHIC SET	1	
25	60X-42681-00-00	.MARK, COWLING	1	
26	60X-42682-00-00	.MARK, COWLING	1	
27	60Y-42678-00-00	.GRAPHIC, REAR	1	UR VZ225
28	67F-13448-00-00	.CAP	3	
29	60X-42626-00-00	.LOUVER, 1	1	
30	97780-50620-00	.SCREW, TAPPING	4	
31	60V-42637-00-00	.DAMPER, FORM	1	
32	60X-4267A-00-00	.GRAPHIC, REAR 2	1	
33	60V-42637-10-00	.DAMPER, FORM	1	
34	60X-42626-10-00	.LOUVER, 1	1	
35	90179-06M24-00	.NUT	6	
36	68F-13434-00-00	LABEL, CAUTION	1	

VZ225TLRD 2005 / CYLINDER CRANKCASE 1




Part List

VZ225TLRD 2005 / CYLINDER CRANKCASE 1

REF - NO	PART NUMBER	PART NAME	QUANTITY	REMARKS
1	60Y-W0090-14-1S	CRANK CYLINDER ASSY	1	UR VZ200, VZ225
2	60V-15100-02-1S	CRANKCASE ASSY	1	UR VZ200, VZ225
3	6E5-11372-01-00	.NIPPLE, HOSE	1	
4	624-14485-00-00	.PIPE, JOINT	1	
5	60V-11370-00-00	.CHECK VALVE ASSY	8	
6	90384-06M07-00	.BUSH, BIMETAL FORMED	1	
7	90383-16M01-00	.BUSH, FORMED	1	
8	650-11370-01-00	.CHECK VALVE ASSY	4	
9	60V-11370-10-00	.CHECK VALVE ASSY	1	
10	90116-08012-00	.BOLT, STUD	1	
11	663-11518-01-00	.LOCK, BEARING	2	
12	90340-14M00-00	.PLUG, STRAIGHT SCREW	2	
13	90430-14115-00	.GASKET	2	
14	93608-12063-00	PIN, DOWEL	4	
15	90445-07M10-00	HOSE (L510)	1	
16	90468-07M02-00	CLIP	2	
17	90119-10022-00	BOLT, WITH WASHER	4	
18	90119-10021-00	BOLT, WITH WASHER	4	
19	90119-06089-00	BOLT, WITH WASHER	14	
20	90445-07M03-00	.HOSE (L34)	6	
21	90445-07016-00	.HOSE (L60)	2	
22	90445-07M29-00	HOSE (L135)	3	
23	90445-07MA6-00	HOSE (L90)	7	
24	6E0-24378-00-00	PIPE, JOINT 3	4	
25	6G5-12581-00-00	JOINT, HOSE 1	1	
26	60V-11325-01-00	ANODE	3	
27	66M-11328-00-00	GROMMET, ANODE	3	
28	66M-11327-00-94	COVER, ANODE	3	
29	66M-12535-00-00	PLATE	3	
30	97095-05012-00	BOLT	3	
31	92995-05600-00	WASHER	3	
32	97013-06020-00	BOLT	3	
33	92903-06600-00	WASHER, PLATE	3	
34	60V-11371-00-94	COVER	1	
35	60V-24135-00-00	CLAMP 1	1	
36	97013-05012-00	BOLT	1	
37	92903-05600-00	WASHER, PLATE	1	
38	60V-11381-00-00	.GASKET 1	1	
39	90119-06MA2-00	BOLT, WITH WASHER	7	
40	60V-12411-00-00	THERMOSTAT	2	
41	60V-12413-00-1S	COVER, THERMOSTAT	2	
42	60V-12414-A0-00	.GASKET, COVER	2	
43	99480-06012-00	PIN	2	
44	90119-06055-00	BOLT, WITH WASHER	4	
45	66M-11325-00-00	ANODE	1	
46	66M-11328-00-00	GROMMET, ANODE	1	
47	66M-11327-00-94	COVER, ANODE	1	
48	66M-12535-00-00	PLATE	1	
49	97095-05012-00	BOLT	1	
50	92995-05600-00	WASHER	1	
51	90119-06MA2-00	BOLT, WITH WASHER	1	
52	6E5-42761-00-1S	STOPPER	2	
53	90119-06MA2-00	BOLT, WITH WASHER	4	
54	68F-44533-00-00	DAMPER, UPPER MOUNT RUBBER	2	

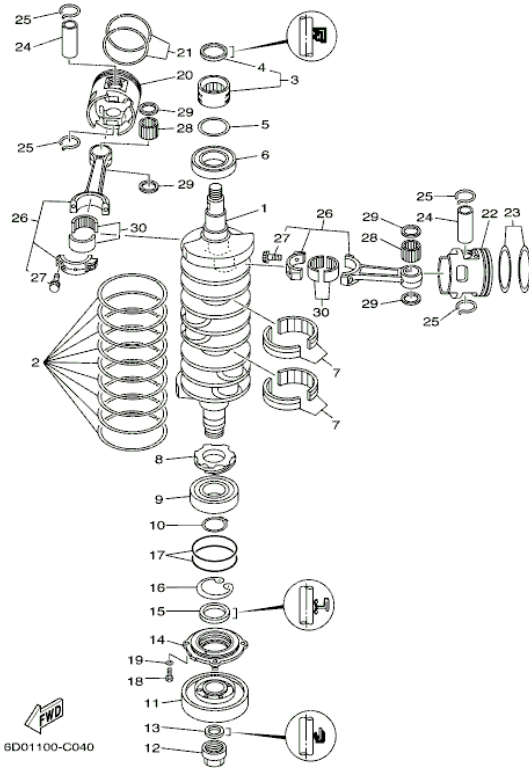
Part Notes

VZ225TLRD 2005 / CYLINDER CRANKCASE 1

PART NUMBER	NOTE TEXT
60V-12411-00-00 	OEM: This part number is among the Top 100 Most Popular Marine Maintenance Parts as of August 2013.

©2013 Yamaha Motor Corporation, U.S.A. All rights reserved.

VZ225TLRD 2005 / CRANKSHAFT PISTON



©2013 Yamaha Motor Corporation, U.S.A. All rights reserved.


Part List

VZ225TLRD 2005 / CRANKSHAFT PISTON

REF - NO	PART NUMBER	PART NAME	QUANTITY	REMARKS
1	6D0-11411-00-00	CRANKSHAFT	1	
2	61A-11447-00-00	SEAL, CRANK	9	
3	93311-940V0-00	BEARING	1	
4	93102-40M38-00	.OIL SEAL	1	
5	60V-11479-00-00	.GASKET	1	
6	93306-209U1-00	BEARING	1	
7	93310-959U0-00	BEARING	2	
8	61A-11536-00-00	GEAR, DRIVE	1	
9	93306-308U0-00	BEARING	1	
10	93410-40M03-00	CIRCLIP	1	
11	61A-11586-01-00	PULLEY, CRANKSHAFT BALANCE	1	
12	60V-11555-00-00	NUT, CRANKSHAFT 1	1	
13	93104-22M07-00	.OIL SEAL	1	
14	6D0-15359-00-94	HOUSING, OIL SEAL	1	
15	93103-40011-00	.OIL SEAL	1	
16	93420-61M07-00	CIRCLIP	1	
17	93210-85M32-00	O-RING	2	
18	97095-06020-00	BOLT	4	
19	92995-06100-00	WASHER, SPRING	4	
20	6D0-11631-01-85	PISTON (STD)	3	
20	6D0-11636-01-00	PISTON (0.50MM O/S)	3	AP
20	6D0-11635-01-00	PISTON (0.25MM O/S)	3	AP
21	6D0-11603-00-00	PISTON RING SET (STD)	3	
21	6D0-11605-00-00	PISTON RING SET (0.50MM O/S)	3	AP
21	6D0-11604-00-00	PISTON RING SET (0.25MM O/S)	3	AP
22	6D0-11642-01-85	PISTON 2 (STD)	3	
22	6D0-11646-01-00	PISTON 2 (0.50MM O/S)	3	AP
22	6D0-11645-01-00	PISTON 2 (0.25MM O/S)	3	AP
23	6D0-11603-00-00	PISTON RING SET (STD)	3	
23	6D0-11605-00-00	PISTON RING SET (0.50MM O/S)	3	AP
23	6D0-11604-00-00	PISTON RING SET (0.25MM O/S)	3	AP
24	61A-11633-02-00	PIN, PISTON	6	
25	60X-11634-00-00	CLIP, PISTON PIN	12	
26	69L-11650-00-00	CONNECTING ROD ASSY	6	
27	90109-09001-00	.BOLT	2	
28	93310-32657-00	BEARING	6	
29	90201-26M03-00	WASHER, PLATE	12	
30	93310-84106-00	BEARING	6	

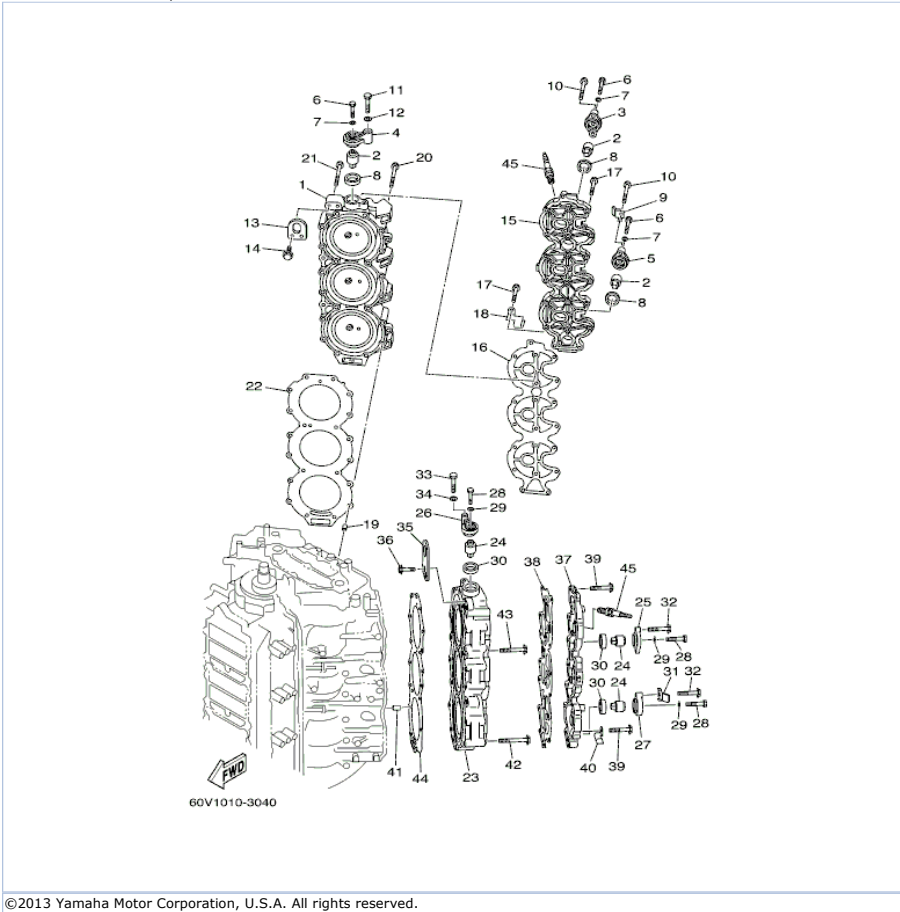
Part Notes

VZ225TLRD 2005 / CRANKSHAFT PISTON

PART NUMBER	NOTE TEXT
92995-06100-00 	OEM: This part number is among the Top 100 Most Popular Marine Maintenance Parts as of August 2013.

©2013 Yamaha Motor Corporation, U.S.A. All rights reserved.

VZ225TLRD 2005 / CYLINDER CRANKCASE 2



©2013 Yamaha Motor Corporation, U.S.A. All rights reserved.



Part List

VZ225TLRD 2005 / CYLINDER CRANKCASE 2

REF - NO	PART NUMBER	PART NAME	QUANTITY	REMARKS
1	60V-11111-00-1S	HEAD, CYLINDER 1	1	
2	67F-11325-00-00	TAB, TRIM	3	
3	67F-11327-00-94	COVER, ANODE	1	
4	69J-11327-00-94	COVER, ANODE	1	
5	60V-11327-00-94	COVER, ANODE	1	
6	97075-06020-00	BOLT	3	
7	92995-06600-00	WASHER	3	
8	67F-11328-00-00	.GROMMET, ANODE	3	
9	60V-12535-00-00	PLATE	1	
10	97575-08550-00	BOLT, WITH WASHER	3	
11	97075-08035-00	BOLT	1	
12	92995-08600-00	WASHER	1	
13	68F-11119-00-00	HANGER, ENGINE	1	
14	90119-06MA2-00	BOLT, WITH WASHER	2	
15	60V-11191-00-1S	COVER, CYLINDER HEAD 1	1	
16	60V-11193-00-00	.GASKET, HEAD COVER 1	1	
17	90119-06MA4-00	BOLT, WITH WASHER	18	
18	68F-83919-00-00	CLAMP, HARNESS	1	
19	99590-10114-00	PIN, DOWEL	2	
20	90119-08MA5-00	BOLT, WITH WASHER	18	
21	90119-08MA8-00	BOLT, WITH WASHER	2	
22	60V-11181-00-00	.GASKET, CYLINDER HEAD 1	1	
23	60V-11121-00-1S	HEAD, CYLINDER 2	1	
24	67F-11325-00-00	TAB, TRIM	3	
25	67F-11327-00-94	COVER, ANODE	1	
26	69J-11327-00-94	COVER, ANODE	1	
27	60V-11327-00-94	COVER, ANODE	1	
28	97075-06020-00	BOLT	3	
29	92995-06600-00	WASHER	3	
30	67F-11328-00-00	.GROMMET, ANODE	3	
31	60V-12535-00-00	PLATE	1	
32	97575-08550-00	BOLT, WITH WASHER	3	
33	97075-08035-00	BOLT	1	
34	92995-08600-00	WASHER	1	
35	69J-1111E-00-00	HANGER, ENGINE 2	1	
36	90119-06MA2-00	BOLT, WITH WASHER	2	
37	60V-11192-00-1S	COVER, CYLINDER HEAD 2	1	
38	60V-11193-00-00	.GASKET, HEAD COVER 1	1	
39	90119-06MA4-00	BOLT, WITH WASHER	18	
40	68F-83919-00-00	CLAMP, HARNESS	1	
41	99590-10114-00	PIN, DOWEL	2	
42	90119-08MA5-00	BOLT, WITH WASHER	18	
43	90119-08MA8-00	BOLT, WITH WASHER	2	
44	60V-11181-00-00	.GASKET, CYLINDER HEAD 1	1	
45	94702-00405-00	PLUG, SPARK (NGK BKR6EKG)	6	

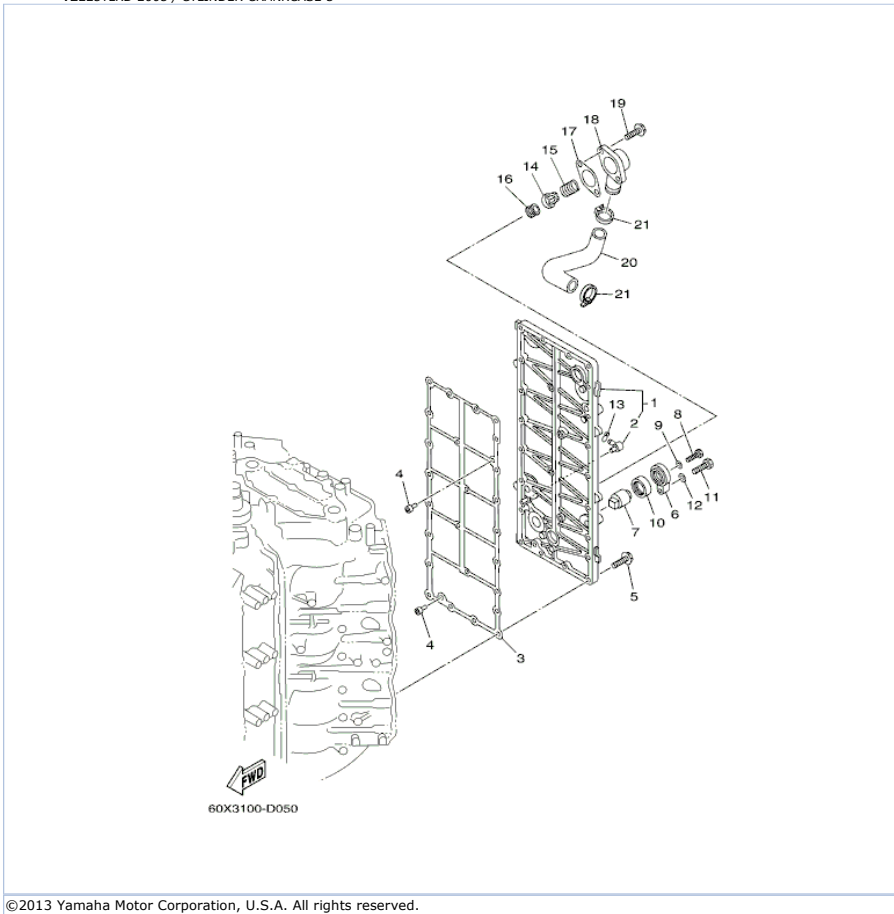
Part Notes

VZ225TLRD 2005 / CYLINDER CRANKCASE 2

PART NUMBER	NOTE TEXT
67F-11328-00-00 	OEM: This part number is among the Top 100 Most Popular Marine Maintenance Parts as of August 2013.
67F-11328-00-00 	OEM: This part number is among the Top 100 Most Popular Marine Maintenance Parts as of August 2013.

©2013 Yamaha Motor Corporation, U.S.A. All rights reserved.

VZ225TLRD 2005 / CYLINDER CRANKCASE 3



©2013 Yamaha Motor Corporation, U.S.A. All rights reserved.



Part List

VZ225TLRD 2005 / CYLINDER CRANKCASE 3

REF - NO	PART NUMBER	PART NAME	QUANTITY	REMARKS
1	60V-41113-00-94	OUTER COVER, EXHAUST	1	
2	676-11372-00-00	.NIPPLE, HOSE	1	
3	60V-41112-00-00	.GASKET, EXHAUST INNER COVER	1	
4	60V-41267-00-00	BUSHING, JOINT	2	
5	90119-06MA3-00	BOLT, WITH WASHER	25	
6	60V-11327-00-94	COVER, ANODE	1	
7	67F-11325-00-00	TAB, TRIM	1	
8	97075-06020-00	BOLT	1	
9	92995-06600-00	WASHER	1	
10	67F-11328-00-00	.GROMMET, ANODE	1	
11	97075-08030-00	BOLT	1	
12	92995-08600-00	WASHER	1	
13	90467-08004-00	CLIP	1	
14	60H-12416-00-00	VALVE, PRESSURE CONTROL	1	
15	90501-16M11-00	SPRING, COMPRESSION	1	
16	90480-20M05-00	GROMMET	1	
17	60V-11382-A0-00	.GASKET 2	1	
18	6G5-11372-00-1S	COVER, BYPASS 2	1	
19	90119-06MA2-00	BOLT, WITH WASHER	2	
20	61A-12576-00-00	HOSE 1	1	
21	90465-13M18-00	CLAMP	2	

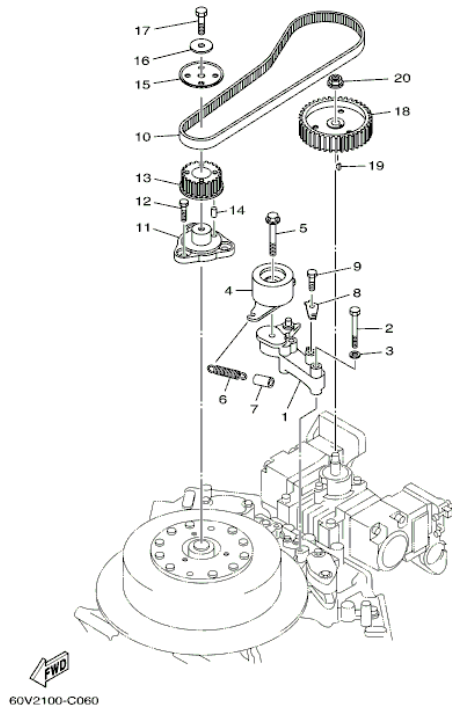
Part Notes

VZ225TLRD 2005 / CYLINDER CRANKCASE 3

PART NUMBER	NOTE TEXT
67F-11328-00-00 	OEM: This part number is among the Top 100 Most Popular Marine Maintenance Parts as of August 2013.
90480-20M05-00 	OEM: This part number is among the Top 100 Most Popular Marine Maintenance Parts as of August 2013.

©2013 Yamaha Motor Corporation, U.S.A. All rights reserved.

VZ225TLRD 2005 / FUEL PUMP DRIVE GEAR



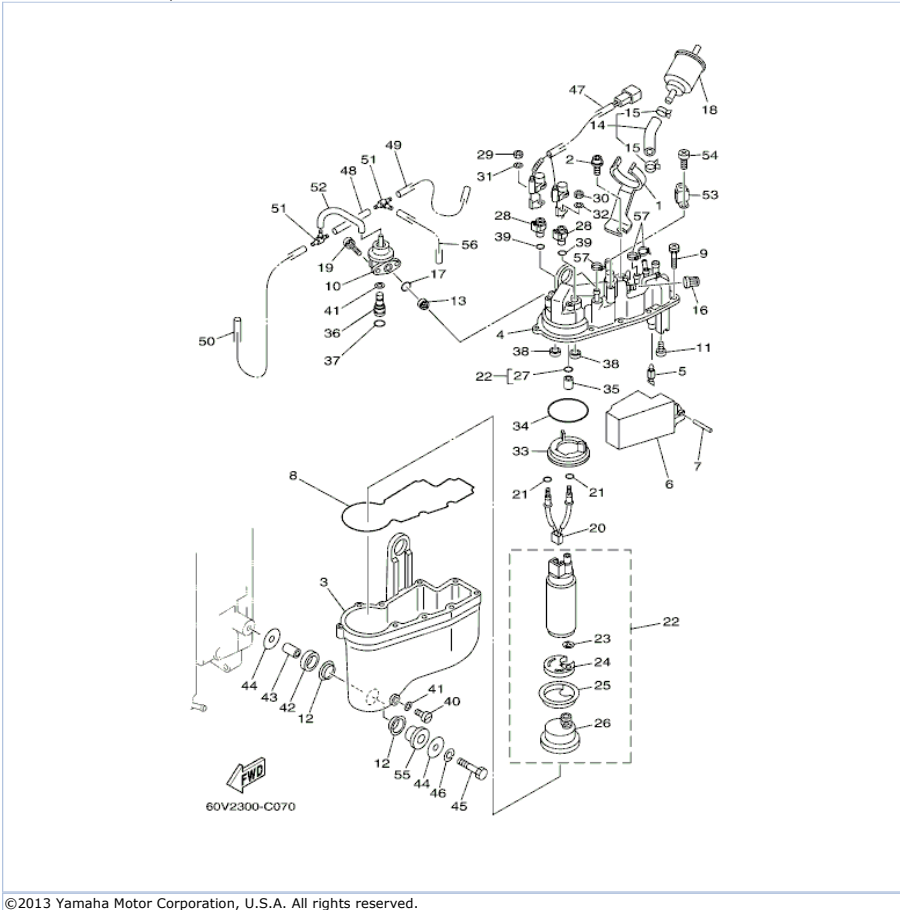
©2013 Yamaha Motor Corporation, U.S.A. All rights reserved.

Part List

VZ225TLRD 2005 / FUEL PUMP DRIVE GEAR

REF - NO	PART NUMBER	PART NAME	QUANTITY	REMARKS
1	60V-11598-00-94	BRACKET, TENSIONER	1	
2	97013-08055-00	BOLT	2	
3	92903-08600-00	WASHER, PLATE	2	
4	60V-11590-00-00	TENSIONER ASSY	1	
5	90119-10M72-00	BOLT, WITH WASHER	1	
6	60V-12113-00-00	SPRING, VALVE INNER	1	
7	90445-15002-00	HOSE (L30)	1	
8	60V-11595-00-00	PLATE, VALVE	1	
9	97013-08012-00	BOLT	1	
10	60V-46241-00-00	V-BELT	1	
11	68F-11579-01-94	COUPLING, FLYWHEEL	1	
12	97013-08012-00	BOLT	3	
13	68F-11536-00-94	GEAR, DRIVE	1	
14	93605-10108-00	PIN, DOWEL	1	
15	60V-11557-00-00	WASHER 1	1	
16	90201-08M00-00	WASHER, PLATE	1	
17	97095-08025-00	BOLT	1	
18	68F-11537-00-94	GEAR, DRIVEN	1	
19	90280-03M01-00	.KEY, WOODRUFF	1	
20	95707-08600-00	NUT, FLANGE	1	

VZ225TLRD 2005 / VAPOR SEPARATOR 1



©2013 Yamaha Motor Corporation, U.S.A. All rights reserved.




Part List

VZ225TLRD 2005 / VAPOR SEPARATOR 1

REF - NO	PART NUMBER	PART NAME	QUANTITY	REMARKS
1	60V-24216-00-00	STAY	1	
2	600-24473-00-00	SCREW	1	
3	60V-14980-00-00	BODY, FLOAT CHAMBER	1	
4	60V-14182-01-00	COVER, FLOAT CHAMBER	1	
5	65L-14546-00-00	VALVE, NEEDLE	1	
6	66K-14985-00-00	FLOAT	1	
7	66K-14548-01-00	PIN, FLOAT ARM	1	
8	66K-14984-00-00	GASKET, FLOAT CHAMBER	1	
9	65L-14125-00-00	SCREW	10	
10	68F-13906-00-00	REGULATOR, PRESSURE	1	
11	66K-14325-01-00	SCREW, PAN HEAD	2	
12	60V-14163-00-00	SPACER	6	
13	65L-13905-00-00	FILTER COMP	1	
14	68F-13971-00-00	PIPE, FUEL 1	1	
15	65L-24387-00-00	.CLIP	2	
16	65L-14966-00-00	CAP	1	
17	65L-24486-00-00	O-RING	1	
18	60V-24251-00-00	STRAINER 1	1	
19	66K-14245-00-00	SCREW, GUIDE	2	
20	68F-82509-00-00	WIRE, SUB LEAD	1	
21	65L-14227-00-00	O-RING	2	
22	60V-13907-00-00	FUEL PUMP COMP.	1	
23	65L-14159-00-00	.CLIP	1	
24	68F-13781-00-00	.DAMPER, PUMP	1	
25	68F-13844-00-00	.PLATE 2	1	
26	68F-13915-00-00	.FILTER	1	
27	65L-1416A-00-00	.O-RING	1	
28	66K-14271-00-00	INSULATOR	2	
29	65L-8182A-00-00	NUT	1	
30	65L-8182K-00-00	NUT	1	
31	65L-8182E-00-00	WASHER	1	
32	65L-8182F-00-00	WASHER	1	
33	68F-13843-00-00	PLATE 1	1	
34	65L-14147-00-00	O-RING	1	
35	68F-14274-00-00	CONNECTOR	1	
36	66K-24376-00-00	PIPE, JOINT 1	1	
37	66K-24489-00-00	O-RING	1	
38	68F-14271-00-00	INSULATOR	2	
39	65L-14397-00-00	O-RING	2	
40	65L-14992-00-00	SCREW, DRAIN	1	
41	65L-14997-00-00	SEAL	2	
42	60V-24375-01-00	GROMMET	3	
43	60V-24397-01-00	COLLAR	3	
44	66K-24579-00-00	WASHER 2	6	
45	65L-24592-00-00	BOLT	3	
46	65L-24169-00-00	WASHER, LOCK	3	
47	60V-82507-00-00	WIRE, LEAD	1	
48	66K-13542-00-00	HOSE, VACUUM SENSING 1	1	
49	66K-13544-00-00	HOSE, VACUUM SENSING 2	1	
50	66K-13532-00-00	HOSE, VACUUM SENSING 3	1	
51	65L-24461-00-00	PIPE, JOINT	2	
52	66K-13533-00-00	HOSE, VACUUM SENSING 4	1	
53	65L-13898-00-00	HOLDER	1	
54	65L-14565-00-00	SCREW	1	
55	60V-24339-01-00	GROMMET	3	
56	60V-13534-00-00	HOSE, VACUUM SENSING 5	1	
57	90465-11M10-00	CLAMP	3	

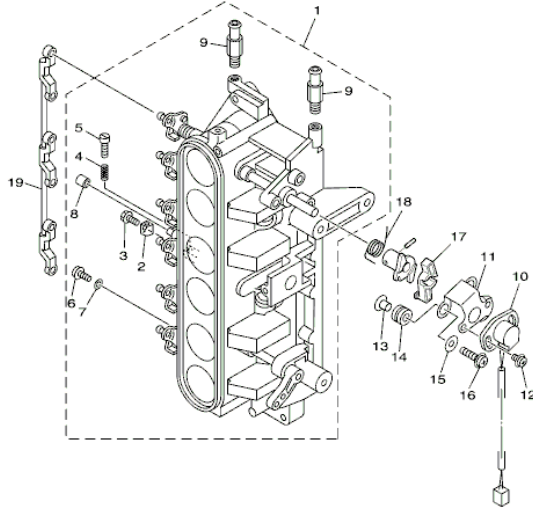
Part Notes

VZ225TLRD 2005 / VAPOR SEPARATOR 1

PART NUMBER	NOTE TEXT
66K-14984-00-00	 OEM: This part number is among the Top 100 Most Popular Marine Maintenance Parts as of August 2013.
60V-24251-00-00	 OEM: When replacing this filter, a special Oetiker clamp is required. The part number is 65L-24387-00-00. Worm-Type hose clamps should NOT be used in this application.
68F-13915-00-00	 OEM: This part number is among the Top 100 Most Popular Marine Maintenance Parts as of August 2013.

©2013 Yamaha Motor Corporation, U.S.A. All rights reserved.

VZ225TLRD 2005 / VAPOR SEPARATOR 2



60V1010-3080
Rev. 4-12-2012

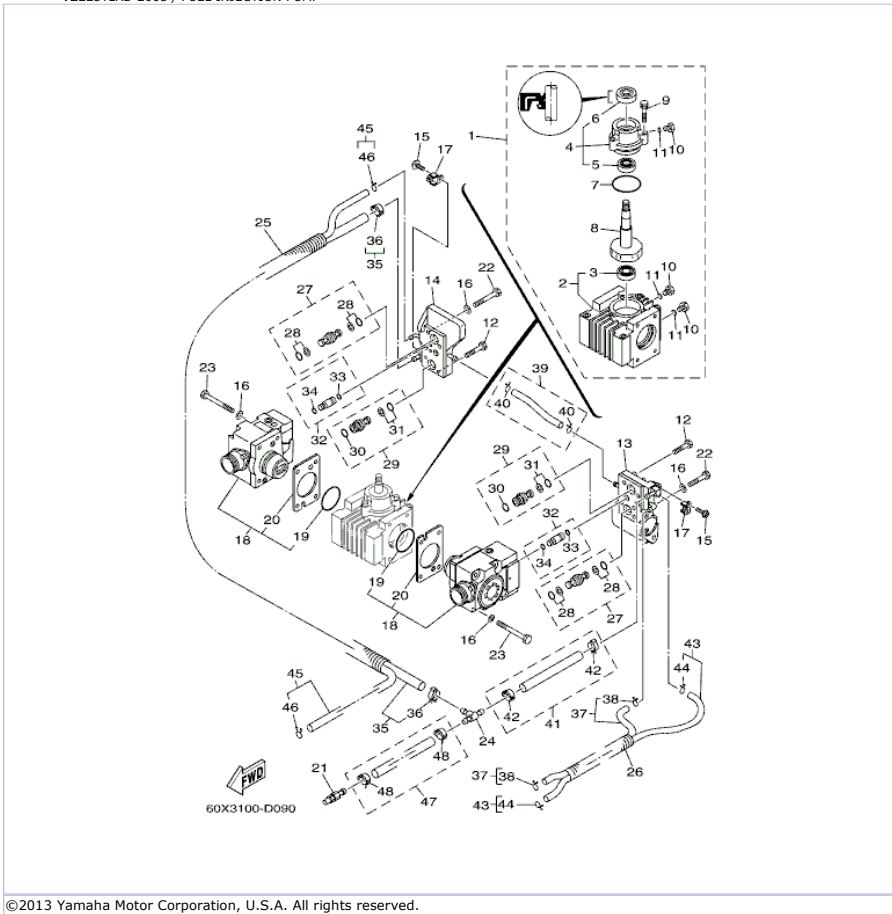
©2013 Yamaha Motor Corporation, U.S.A. All rights reserved.

Part List

VZ225TLRD 2005 / VAPOR SEPARATOR 2

REF - NO	PART NUMBER	PART NAME	QUANTITY	REMARKS
1	60V-13751-00-00	BODY, THROTTLE 1	1	
2	65L-14527-00-00	.PLATE	1	
3	65L-14565-00-00	.SCREW	1	
4	65L-14334-00-00	.SPRING, AIR ADJUSTING	1	
5	65L-14523-00-00	.SCREW, STOP	1	
6	6K5-14592-00-00	.SCREW	6	
7	90201-05552-00	.WASHER, PLATE	6	
8	65L-14578-00-00	.COLLAR	1	
9	68F-13568-00-00	.STUD	2	
10	61A-85885-00-00	THROTTLE SENSOR ASSY	1	
11	6K7-85886-01-00	BRACKET	1	
12	97985-05212-00	SCREW, WITH WASHER	2	
13	90387-05M00-00	COLLAR	3	
14	60V-85516-00-00	SPACER	3	
15	60V-14596-00-00	WASHER	3	
16	97985-05330-00	SCREW, WITH WASHER	3	
17	65L-14573-00-00	LEVER	1	
18	65L-14579-00-00	SPRING	1	
19	65L-41217-00-00	ROD, ACCEL. LEVER	1	

VZ225TLRD 2005 / FUEL INJECTION PUMP



©2013 Yamaha Motor Corporation, U.S.A. All rights reserved.



Part List

VZ225TLRD 2005 / FUEL INJECTION PUMP

REF - NO	PART NUMBER	PART NAME	QUANTITY	REMARKS
1	60V-12170-00-00	CAMSHAFT ASSY 1	1	
2	60V-12424-00-00	.PLATE, CARTRIDGE INNER	1	
3	93306-00001-00	..BEARING	1	
4	68F-12173-00-00	.CAP, CAMSHAFT 1	1	
5	93306-001U0-00	..BEARING	1	
6	68F-12223-00-00	..SEAL	1	
7	68F-12439-00-00	.O-RING	1	
8	60V-12171-00-00	.CAMSHAFT 1	1	
9	68F-12228-00-00	.BOLT	3	
10	68F-13455-00-00	.PLUG	3	
11	68F-13473-00-00	.O-RING	3	
12	68F-12228-00-00	BOLT	4	
13	60V-13993-00-00	COVER, CONTROL RACK	1	
14	60W-13993-00-00	COVER, CONTROL RACK	1	
15	65L-14565-00-00	SCREW	2	
16	68F-24579-00-00	WASHER 2	12	
17	60V-13854-00-00	PLATE 4	2	
18	60V-13910-00-00	FUEL PUMP ASSY	2	
19	60V-14005-00-00	.RING, SEAL	1	
20	60V-14126-00-00	.GASKET	1	
21	68F-24300-00-00	FUEL PIPE JOINT	1	
22	60V-24178-00-00	BOLT 3	4	
23	60V-24176-00-00	BOLT 1	8	
24	60V-24378-00-00	PIPE, JOINT 3	1	
25	60V-24864-00-00	TUBE	1	
26	60V-2510T-00-00	TUBE	1	
27	68F-13815-10-00	JOINT 1	2	
28	68F-2466A-00-00	.PACKING KIT	2	
29	68F-13816-10-00	JOINT 2	2	
30	68F-24486-00-00	.O-RING	1	
31	68F-2466A-00-00	.PACKING KIT	1	
32	60V-13505-00-00	JOINT COMP.	4	
33	68F-13473-00-00	.O-RING	1	
34	60V-13473-00-00	.O-RING	1	
35	60V-14148-00-00	PIPE	1	
36	65L-24387-00-00	.CLIP	2	
37	60V-24312-00-00	PIPE 2	1	
38	68F-24356-00-00	.CLIP, PIPE 1	2	
39	60V-24313-00-00	PIPE 3	1	
40	68F-24356-00-00	.CLIP, PIPE 1	2	
41	60V-14149-00-00	PIPE	1	
42	65L-24387-00-00	.CLIP	2	
43	60V-24314-00-00	PIPE 4	1	
44	68F-24356-00-00	.CLIP, PIPE 1	2	
45	60V-24315-00-00	PIPE 5	1	
46	68F-24356-00-00	.CLIP, PIPE 1	2	
47	60V-13972-00-00	PIPE, FUEL 2	1	
48	65L-24387-00-00	.CLIP	2	

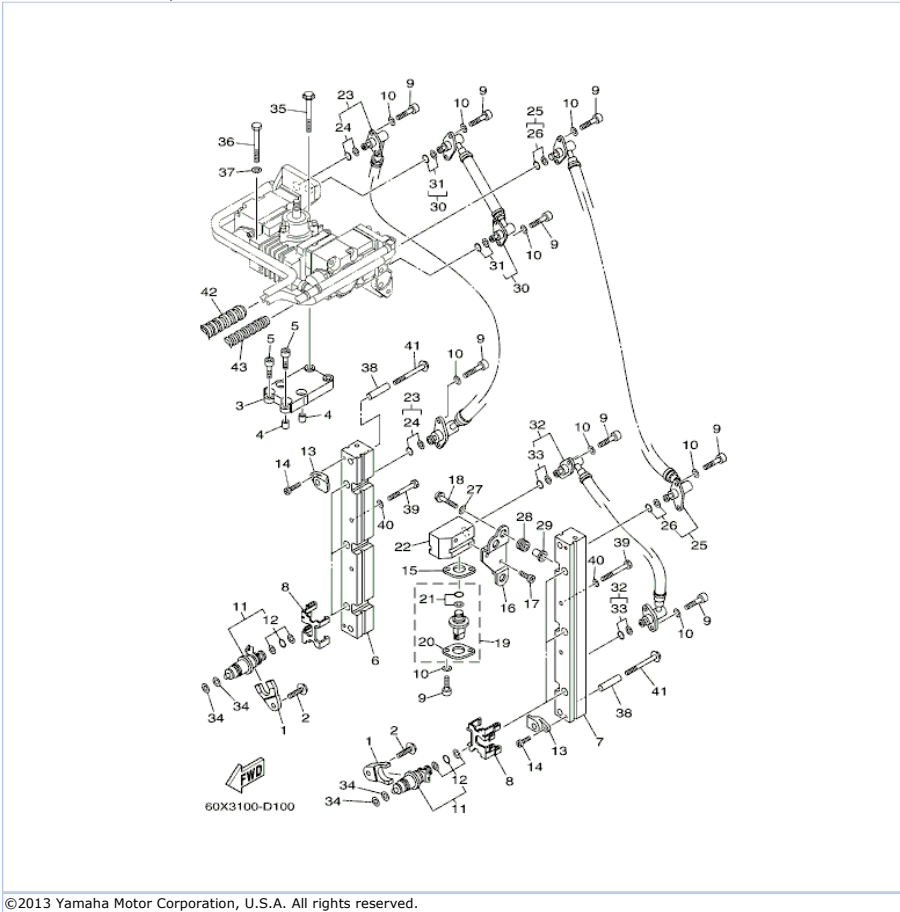
Part Notes

VZ225TLRD 2005 / FUEL INJECTION PUMP

PART NUMBER	NOTE TEXT
68F-2466A-00-00	 OEM: The contents of this packing kit have changed. The kit now has only 2 parts, instead of 3 parts, for each side of the joint. A total of 4 parts are in each kit, 2 rubber o-rings and two fiber washers. Th
68F-2466A-00-00	 OEM: The contents of this packing kit have changed. The kit now has only 2 parts, instead of 3 parts, for each side of the joint. A total of 4 parts are in each kit, 2 rubber o-rings and two fiber washers. Th

©2013 Yamaha Motor Corporation, U.S.A. All rights reserved.

VZ225TLRD 2005 / FUEL INJECTION NOZZLE








Part List

VZ225TLRD 2005 / FUEL INJECTION NOZZLE

REF - NO	PART NUMBER	PART NAME	QUANTITY	REMARKS
1	68F-13767-00-00	CAP, INJECTOR	6	
2	90119-08M60-00	BOLT, WITH WASHER	6	
3	60V-13782-00-00	STAY	1	
4	90387-08M31-00	COLLAR	2	
5	90110-08M04-00	BOLT, HEXAGON SOCKET HEAD	4	
6	60V-13161-00-00	PIPE, DELIVERY 1	1	
7	60V-13171-00-00	PIPE, DELIVERY 2	1	
8	60V-13898-00-00	HOLDER	6	
9	68F-24551-00-00	BOLT, JOINT	18	
10	68F-24576-00-00	WASHER	18	
11	60V-13761-00-00	INJECTOR	6	
12	68F-1410B-00-00	.PACKING KIT	1	
13	60V-14264-00-00	COLLAR	4	
14	65L-14565-00-00	SCREW	4	
15	60V-82389-00-00	PLATE 2	1	
16	60V-82398-00-00	PLATE 3	1	
17	60V-81545-00-00	SCREW 1	2	
18	60V-81546-00-00	SCREW 2	3	
19	60V-82380-00-00	SENSOR, PRESSURE	1	
20	68F-82388-00-00	.PLATE	1	
21	68F-82384-00-00	.PACKING KIT	1	
22	60V-13938-00-00	PIPE	1	
23	60V-13973-10-00	PIPE, FUEL 3	1	
24	68F-2466A-00-00	.PACKING KIT	2	
25	60V-13974-10-00	PIPE, FUEL 4	1	
26	68F-2466A-00-00	.PACKING KIT	2	
27	65L-14596-00-00	WASHER	3	
28	90480-10M23-00	GROMMET	3	
29	90387-05M00-00	COLLAR	3	
30	60V-13975-10-00	PIPE, FUEL 5	1	
31	68F-2466A-00-00	.PACKING KIT	2	
32	60V-13976-10-00	PIPE, FUEL 6	1	
33	68F-2466A-00-00	.PACKING KIT	2	
34	68F-13764-00-00	GASKET (T=2.2)	12	
35	97513-08570-00	BOLT, WITH WASHER	2	
36	97013-08090-00	BOLT	2	
37	92903-08600-00	WASHER, PLATE	2	
38	60V-13716-00-00	COLLAR	4	
39	97013-08055-00	BOLT	4	
40	92903-08600-00	WASHER, PLATE	4	
41	97513-08570-00	BOLT, WITH WASHER	4	
42	90447-22004-00	HOSE, WITH SPRING (L200)	1	
43	90447-15001-00	HOSE, WITH SPRING (L205)	1	

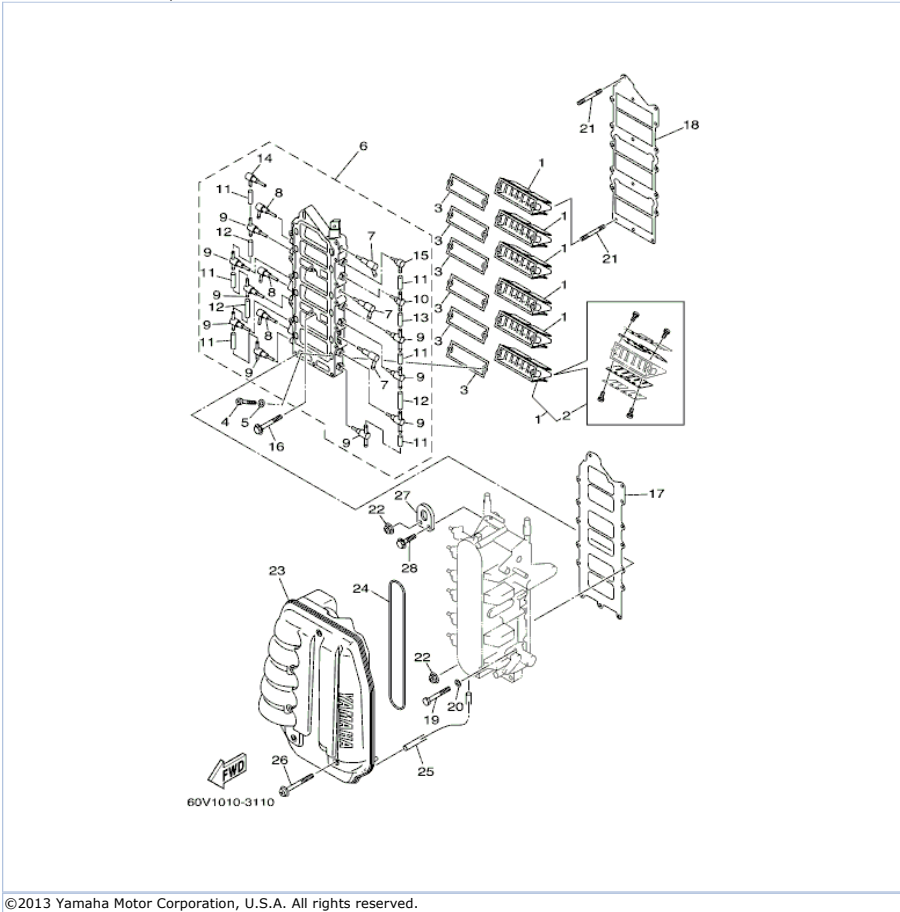
Part Notes

VZ225TLRD 2005 / FUEL INJECTION NOZZLE

PART NUMBER	NOTE TEXT
68F-2466A-00-00	 OEM: The contents of this packing kit have changed. The kit now has only 2 parts, instead of 3 parts, for each side of the joint. A total of 4 parts are in each kit, 2 rubber o-rings and two fiber washers. Th
68F-2466A-00-00	 OEM: The contents of this packing kit have changed. The kit now has only 2 parts, instead of 3 parts, for each side of the joint. A total of 4 parts are in each kit, 2 rubber o-rings and two fiber washers. Th
68F-2466A-00-00	 OEM: The contents of this packing kit have changed. The kit now has only 2 parts, instead of 3 parts, for each side of the joint. A total of 4 parts are in each kit, 2 rubber o-rings and two fiber washers. Th
68F-2466A-00-00	 OEM: The contents of this packing kit have changed. The kit now has only 2 parts, instead of 3 parts, for each side of the joint. A total of 4 parts are in each kit, 2 rubber o-rings and two fiber washers. Th
68F-13764-00-00	 OEM: This part number is among the Top 100 Most Popular Marine Maintenance Parts as of August 2013.

©2013 Yamaha Motor Corporation, U.S.A. All rights reserved.

VZ225TLRD 2005 / INTAKE

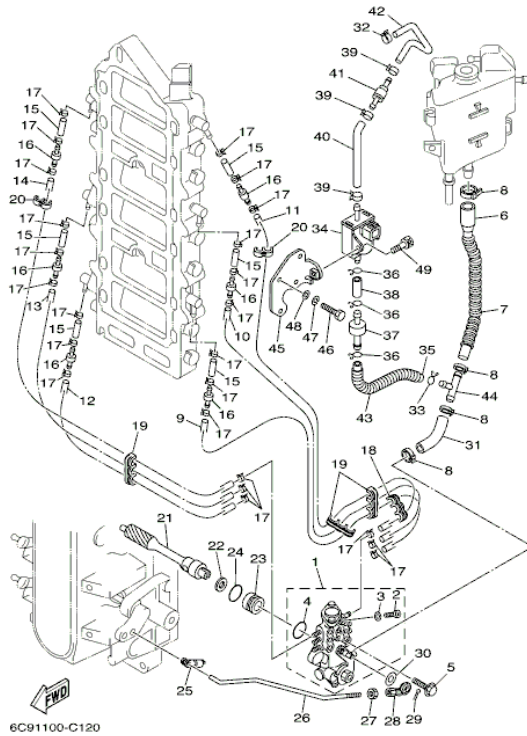


Part List

VZ225TLRD 2005 / INTAKE

REF - NO	PART NUMBER	PART NAME	QUANTITY	REMARKS
1	60V-13610-00-00	REED VALVE ASSY	6	
2	60V-W0004-00-00	.REED SET	1	
3	60V-13621-A0-00	.GASKET, VALVE SEAT	6	
4	97880-05016-00	SCREW, PAN HEAD	12	
5	92990-05600-00	WASHER, PLATE	12	
6	60V-13624-00-1S	PLATE, REED VALVE	1	
7	60V-13552-00-00	.NOZZLE	3	
8	60V-13572-00-00	.NOZZLE	3	
9	60V-11379-00-00	.VALVE, CHECK	9	
10	6F6-11370-01-00	.CHECK VALVE ASSY	1	
11	90445-07M03-00	.HOSE (L34)	6	
12	90445-07016-00	.HOSE (L60)	3	
13	90445-07015-00	.HOSE (L65)	1	
14	60V-11369-00-00	.VALVE, CHECK	1	
15	650-11370-01-00	.CHECK VALVE ASSY	1	
16	90105-06028-00	BOLT, FLANGE	2	
17	60V-13646-00-00	.GASKET, MANIFOLD 2	1	
18	60V-13645-00-00	.GASKET, MANIFOLD 1	1	
19	97013-06060-00	BOLT	12	
20	92903-06600-00	WASHER, PLATE	12	
21	95670-06660-00	BOLT, STUD	2	
22	90179-06M24-00	NUT	2	
23	60V-14440-00-00	SILENCER ASSY, INTAKE	1	
24	60V-14476-00-00	.SEAL	1	
25	90445-07M44-00	HOSE (L250)	1	
26	90159-06M16-00	SCREW, WITH WASHER	6	
27	68F-11119-00-00	HANGER, ENGINE	1	
28	90119-06MA2-00	BOLT, WITH WASHER	1	

VZ225TLRD 2005 / OIL PUMP



©2013 Yamaha Motor Corporation, U.S.A. All rights reserved.



Part List

VZ225TLRD 2005 / OIL PUMP

REF - NO	PART NUMBER	PART NAME	QUANTITY	REMARKS
1	60V-13200-11-00	OIL INJECTION PUMP ASSY	1	UR VZ200,VZ225
2	6R3-13471-00-00	.PLUG, DRAIN	1	
3	6L2-13475-00-00	.GASKET	1	
4	93210-19M82-00	.O-RING	1	
5	90109-06M40-00	BOLT	2	
6	6G5-13416-00-00	PIPE, OIL 1	1	
7	90446-17MA8-00	HOSE (L200)	1	
8	90465-11M10-00	CLAMP	4	
9	90446-07M35-00	HOSE (L260)	1	
10	90445-07M96-00	HOSE (L310)	1	
11	90446-07M48-00	HOSE (L450)	1	
12	90445-07M44-00	HOSE (L250)	1	
13	90445-07M46-00	HOSE (L360)	1	
14	90445-07M10-00	HOSE (L510)	1	
15	90445-07M04-00	HOSE (L50)	6	
16	6R3-13183-10-00	VALVE, CHECK	6	
17	90468-07M02-00	CLIP	24	
18	90464-07M05-00	CLAMP	1	
19	90464-07M05-00	CLAMP	4	
20	90464-07M20-00	CLAMP	2	
21	61A-11537-00-00	GEAR, DRIVEN	1	
22	90201-09M01-00	WASHER, PLATE	1	
23	61A-13117-00-00	COLLAR, DISTANCE	1	
24	93210-18MA9-00	.O-RING	1	
25	6R5-41237-00-00	JOINT, LINK	1	
26	65L-41241-10-00	ROD, LINK	1	
27	95380-05600-00	NUT	1	
28	6H1-41237-00-00	JOINT, LINK	1	
29	91490-12012-00	PIN, COTTER	1	
30	90202-05088-00	WASHER, PLATE	1	
31	60V-24319-00-00	PIPE, OIL	1	
32	90468-07M02-00	CLIP	1	
33	90467-08M18-00	CLIP	1	
34	68F-13100-00-00	SOLENOID PUMP ASSY	1	
35	68F-13418-00-00	HOSE 4	1	
36	68F-13184-00-00	SPRING, OIL PIPE	3	
37	68F-13440-00-00	FILTER ASSY	1	
38	68F-1316F-00-00	HOSE 1	1	
39	68F-13133-00-00	CLIP	3	
40	68F-1316G-00-00	HOSE 2	1	
41	68F-1316A-00-00	CHECK VALVE ASSY	1	
42	68F-13416-00-00	HOSE 3	1	
43	90448-08001-00	HOSE, WITH UNION	1	
44	68F-14485-00-00	PIPE, JOINT	1	
45	60V-1319K-00-00	PLATE	1	
46	97095-06020-00	BOLT	2	
47	92995-06100-00	WASHER, SPRING	2	
48	92995-06600-00	WASHER	2	
49	90110-06M06-00	BOLT, HEXAGON SOCKET HEAD	1	

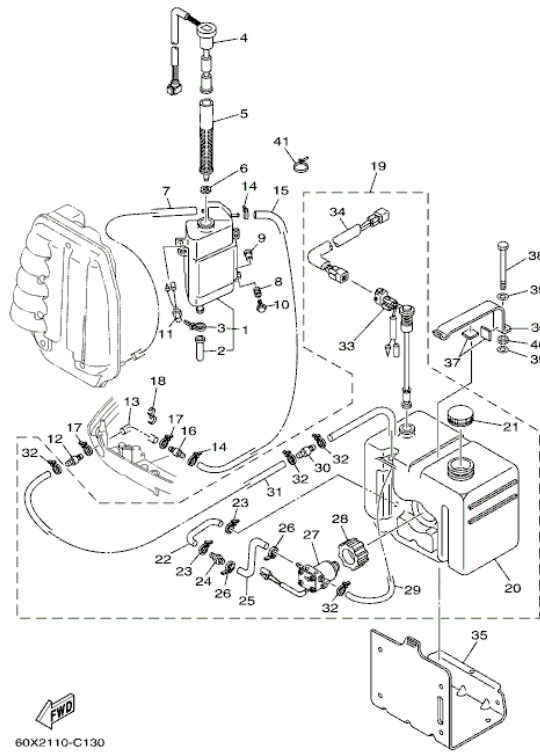
Part Notes

VZ225TLRD 2005 / OIL PUMP

PART NUMBER	NOTE TEXT
6H1-41237-00-00 	OEM: This part number is among the Top 100 Most Popular Marine Maintenance Parts as of August 2013.
92995-06100-00 	OEM: This part number is among the Top 100 Most Popular Marine Maintenance Parts as of August 2013.

©2013 Yamaha Motor Corporation, U.S.A. All rights reserved.

VZ225TLRD 2005 / OIL TANK



©2013 Yamaha Motor Corporation, U.S.A. All rights reserved.



Part List

VZ225TLRD 2005 / OIL TANK

REF - NO	PART NUMBER	PART NAME	QUANTITY	REMARKS
1	61A-21750-00-00	OIL TANK ASSY	1	
2	6E5-13448-00-00	.CAP	1	
3	90465-13M11-00	.CLAMP	1	
4	61A-85730-01-00	OIL LEVEL GAUGE ASSY	1	
5	61A-13411-00-00	STRAINER, OIL	1	
6	6E5-13414-00-00	GASKET, STRAINER COVER	1	
7	90445-05M07-00	HOSE (L700)	1	
8	6A0-82317-00-00	DAMPER, IGNITION COIL	3	
9	624-42542-00-00	PIPE	3	
10	90119-06M65-00	BOLT, WITH WASHER	3	
11	6R3-8259E-00-00	SWITCH ASSY	1	
12	6E5-24379-00-00	PIPE, JOINT 4	1	
13	90445-12M04-00	HOSE (L1900)	1	
14	90465-11M10-00	CLAMP	2	
15	6E5-24323-00-00	PIPE 12	1	
16	6E5-24379-00-00	PIPE, JOINT 4	1	
17	90465-11M10-00	CLAMP	2	
18	90464-13M34-00	CLAMP	1	
19	61A-21708-20-00	SUB OIL TANK ASSY	1	AP
20	6E5-21733-20-00	.SUB TANK, OIL (105L)	1	
21	6E5-21770-03-00	.OIL TANK CAP ASSY	1	
22	6E5-24322-00-00	.PIPE 11	1	
23	90465-11M10-00	.CLAMP	2	
24	646-24251-02-00	.STRAINER 1	1	
25	6E5-24319-01-00	.PIPE, OIL	1	
26	90465-11M10-00	.CLAMP	2	
27	6E5-81900-01-00	.OIL FEED PUMP ASSY	1	
28	6E5-81922-00-00	.GROMMET	1	
29	6E5-24321-01-00	.PIPE 10	1	
30	6E5-24379-00-00	.PIPE, JOINT 4	1	
31	90445-11M26-00	.HOSE (L6500)	1	
32	90465-11M10-00	.CLAMP	4	
33	6E5-85720-05-00	.OIL LEVEL GAUGE ASSY	1	
34	6R3-85721-80-00	.WIRE, LEAD (L=80M)	1	
35	6E5-21734-01-33	HOLDER, OIL SUB TANK	1	AP
36	6E5-21798-01-33	BRACKET, DAMPER	1	AP
37	6E5-21746-00-00	DAMPER	2	AP
38	97080-06100-00	BOLT	1	AP
39	92990-06600-00	WASHER, PLATE	2	AP
40	95380-06600-00	NUT, HEXAGON	1	AP
41	90465-13M11-00	CLAMP	2	AP

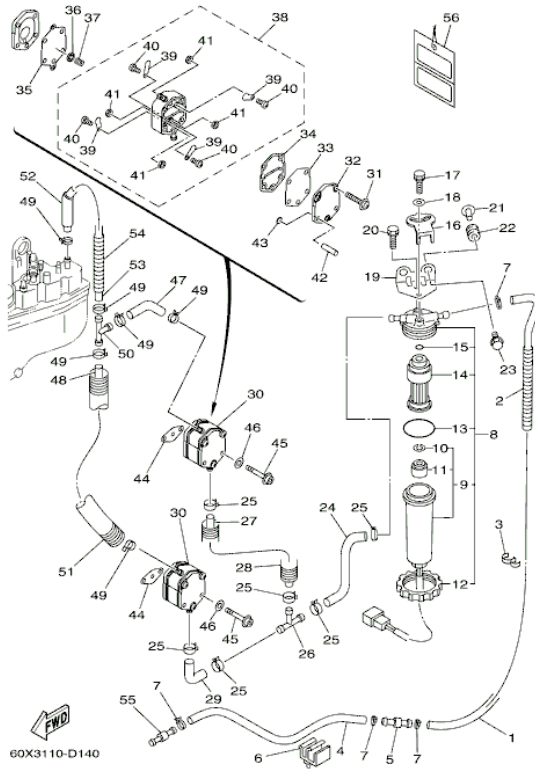
Part Notes

VZ225TLRD 2005 / OIL TANK

PART NUMBER	NOTE TEXT
646-24251-02-00 	OEM: This part number is among the Top 100 Most Popular Marine Maintenance Parts as of August 2013.
92990-06600-00 	OEM: This part number is among the Top 100 Most Popular Marine Maintenance Parts as of August 2013.

©2013 Yamaha Motor Corporation, U.S.A. All rights reserved.

VZ225TLRD 2005 / FUEL



©2013 Yamaha Motor Corporation, U.S.A. All rights reserved.

Part List

VZ225TLRD 2005 / FUEL

REF - NO	PART NUMBER	PART NAME	QUANTITY	REMARKS
1	61A-24313-00-00	PIPE 3	1	
2	90447-13008-00	TUBE	1	
3	90464-13M34-00	CLAMP	2	
4	90445-13M17-00	HOSE (L2700)	1	
5	6R3-24377-00-00	PIPE, JOINT 2	1	
6	6E5-82594-00-00	CLAMP	1	
7	90465-11M10-00	CLAMP	4	
8	68F-24560-10-00	FILTER ASSY	1	
9	68F-24562-10-00	.CUP, FILTER	1	
10	68F-24519-10-00	..CLIP	1	
11	68F-24469-10-00	..FLOAT, WATER LEVEL	1	
12	65L-24531-01-00	.NUT	1	
13	61A-24564-00-00	.O-RING	1	
14	68F-24563-10-00	.ELEMENT, FILTER	1	
15	65L-24564-00-00	.O-RING	1	
16	60H-24558-00-00	HOLDER, FILTER	1	
17	97595-06416-00	BOLT, WITH WASHER	1	
18	90201-06068-00	WASHER, PLATE	1	
19	68F-24566-00-00	BRACKET, FILTER	1	
20	97595-06514-00	BOLT, WITH WASHER	1	
21	90387-06M60-00	COLLAR	2	
22	90480-10M23-00	GROMMET	2	
23	90119-06M88-00	BOLT, WITH WASHER	2	
24	68F-24311-00-00	PIPE, FUEL 1	1	
25	90465-11M10-00	CLAMP	6	
26	6E5-24378-00-00	PIPE, JOINT 3	1	
27	6G5-24315-00-00	PIPE 5	1	
28	90447-19004-00	HOSE, WITH SPRING (L=130)	1	
29	6E5-24315-00-00	PIPE 5	1	
30	6E5-24410-04-00	FUEL PUMP ASSY	2	
31	6E5-24444-01-00	.SCREW	3	
32	6E5-24413-01-00	.BODY 2	1	
33	6E5-24471-01-00	.DIAPHRAGM	1	
34	6E5-24435-01-00	.GASKET, BODY 2	1	
35	6E5-24411-01-00	.DIAPHRAGM	1	
36	648-24424-00-00	.SEAT, SPRING	1	
37	6E5-24423-00-00	.SPRING, DIAPHRAGM	1	
38	6E5-24412-11-00	.BODY 1	1	
39	6A0-24421-01-00	..VALVE, CHECK	4	
40	6A0-14325-00-00	..SCREW, PAN HEAD	4	
41	95380-03600-00	..NUT	4	
42	6E5-24492-00-00	.BUSH, FUEL PUMP	2	
43	6E5-24486-00-00	.O-RING	2	
44	650-24431-A0-00	GASKET, FUEL PUMP 1	2	
45	90110-06126-00	BOLT, HEXAGON SOCKET HEAD	4	
46	92995-06600-00	WASHER	4	
47	6G5-24316-10-00	PIPE 6	1	
48	6E5-24313-00-00	PIPE 3	1	
49	90465-11M10-00	CLAMP	6	
50	6E5-24378-00-00	PIPE, JOINT 3	1	
51	90447-15002-00	TUBE	1	
52	90446-15M07-00	HOSE (L60)	1	
53	90445-13M12-00	HOSE (L235)	1	
54	90447-13008-00	TUBE	1	
55	6R3-24377-10-00	PIPE, JOINT 2	1	
56	61H-2819R-31-00	TAG, WARNING	1	

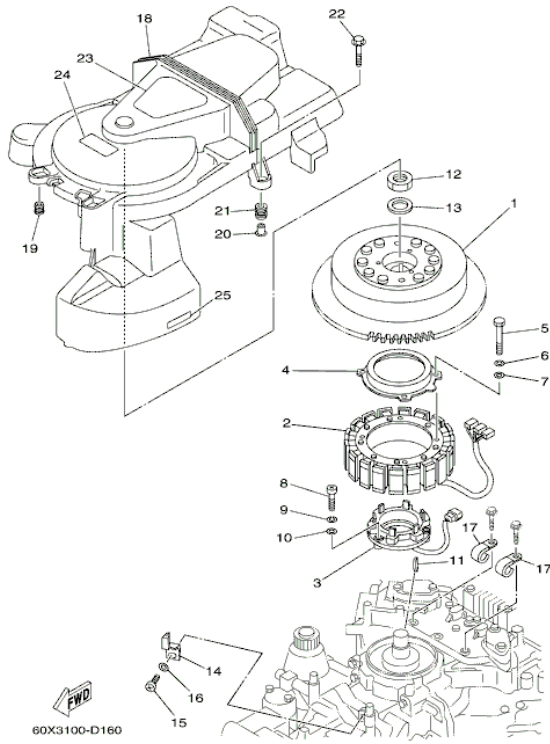
Part Notes

VZ225TLRD 2005 / FUEL

PART NUMBER	NOTE TEXT
61A-24564-00-00 	OEM: This part number is among the Top 100 Most Popular Marine Maintenance Parts as of August 2013.
68F-24563-10-00 	OEM: This part number is among the Top 100 Most Popular Marine Maintenance Parts as of August 2013.
65L-24564-00-00 	OEM: This part number is among the Top 100 Most Popular Marine Maintenance Parts as of August 2013.
650-24431-A0-00 	OEM: This part number is among the Top 100 Most Popular Marine Maintenance Parts as of August 2013.

©2013 Yamaha Motor Corporation, U.S.A. All rights reserved.

VZ225TLRD 2005 / GENERATOR



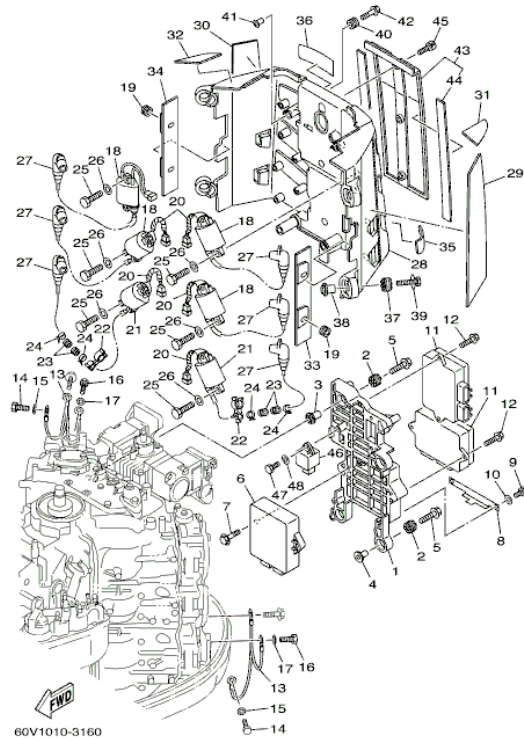
©2013 Yamaha Motor Corporation, U.S.A. All rights reserved.

Part List

VZ225TLRD 2005 / GENERATOR

REF - NO	PART NUMBER	PART NAME	QUANTITY	REMARKS
1	60V-81450-00-00	ROTOR ASSY	1	
2	60V-81410-02-00	STATOR ASSY	1	
3	60V-85580-00-00	COIL, PULSER	1	
4	61A-83721-00-00	COVER	1	
5	97013-06035-00	BOLT	4	
6	92903-06100-00	WASHER, SPRING	4	
7	92903-06600-00	WASHER, PLATE	4	
8	97885-05030-00	SCREW, PAN HEAD	3	
9	92995-05100-00	WASHER	3	
10	92995-05600-00	WASHER	3	
11	90280-05015-00	KEY, WOODRUFF	1	
12	90170-24M22-00	NUT	1	
13	90201-25M02-00	WASHER, PLATE	1	
14	60V-81332-00-00	PLATE, TIMING	1	
15	97885-06010-00	SCREW, PAN HEAD	1	
16	92995-06600-00	WASHER	1	
17	90465-06M86-00	CLAMP	2	
18	60V-81337-00-00	COVER, FLYWHEEL	1	
19	663-82317-01-00	DAMPER, IGNITION COIL	2	
20	624-42542-00-00	PIPE	2	
21	6A0-82317-00-00	DAMPER, IGNITION COIL	2	
22	95895-06030-00	BOLT, FLANGE	2	
23	60V-14488-00-00	LABEL, CAUTION	1	
24	6A1-83625-41-00	MARK 5	1	
25	6E5-85711-40-00	MARK, CAUTION	1	

VZ225TLRD 2005 / ELECTRICAL 1



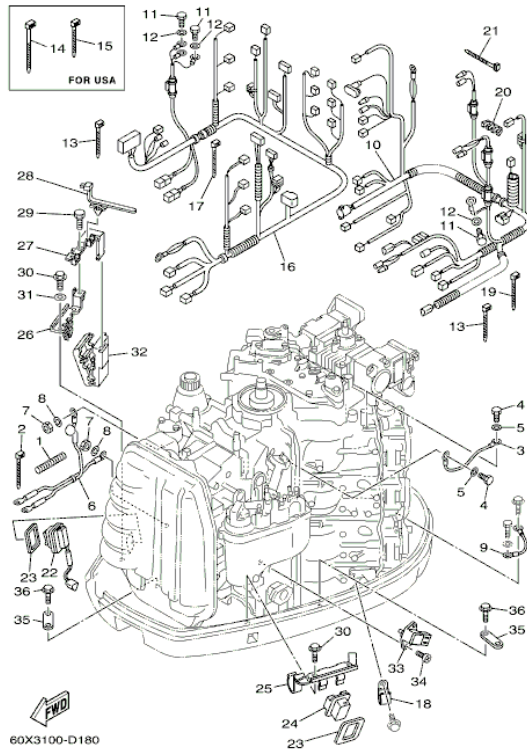
©2013 Yamaha Motor Corporation, U.S.A. All rights reserved.

Part List

VZ225TLRD 2005 / ELECTRICAL 1

REF - NO	PART NUMBER	PART NAME	QUANTITY	REMARKS
1	60V-85542-01-94	BRACKET	1	
2	60V-85564-00-00	GROMMET	4	
3	68F-86129-00-00	COLLAR	2	
4	68F-86129-10-00	COLLAR	2	
5	68F-85119-00-00	BOLT	4	
6	60Y-8591A-10-00	ENGINE CONTROL UNIT ASSY	1	UR VZ225
7	90119-06MA3-00	BOLT, WITH WASHER	2	
8	60V-85548-00-00	HOLDER	1	
9	97013-06014-00	BOLT	2	
10	92903-06600-00	WASHER, PLATE	2	
11	60V-8591B-00-00	DRIVER, INJECTOR ASSY	2	
12	90119-06MA2-00	BOLT, WITH WASHER	4	
13	6E5-82519-00-00	WIRE, EARTH LEAD	2	
14	97095-06012-00	BOLT	2	
15	92995-06600-00	WASHER	2	
16	97095-06012-00	BOLT	2	
17	92995-06600-00	WASHER	2	
18	60V-82310-00-00	IGNITION COIL ASSY	4	
19	90480-25161-00	GROMMET	4	
20	90446-10M01-00	HOSE (L60)	5	
21	60V-82310-10-00	IGNITION COIL ASSY	2	
22	90464-18003-00	CLAMP	2	
23	90480-22M15-00	GROMMET	4	
24	90465-11M10-00	CLAMP	4	
25	97013-05020-00	BOLT	12	
26	92903-05600-00	WASHER, PLATE	12	
27	68F-82370-01-00	PLUG CAP ASSY	6	
28	60V-82314-01-00	COVER, IGNITION COIL	1	
29	60V-24198-00-00	SEAT, RUBBER	1	
30	60V-24198-10-00	SEAT, RUBBER	1	
31	60V-8818D-00-00	SEAT 1	1	
32	60V-8818D-10-00	SEAT 1	1	
33	60V-23116-00-00	SEAT 2	1	
34	60V-23116-10-00	SEAT 2	1	
35	60V-2318U-00-00	PLATE, SEAT	3	
36	60V-2318U-10-00	PLATE, SEAT	3	
37	68F-85516-01-00	SPACER	4	
38	68F-86129-10-00	COLLAR	4	
39	68F-85119-00-00	BOLT	4	
40	6A0-82317-00-00	DAMPER, IGNITION COIL	4	
41	624-42542-00-00	PIPE	4	
42	90119-06M65-00	BOLT, WITH WASHER	4	
43	60V-8252U-01-00	COVER	1	
44	60V-23115-00-00	.SEAT 1	2	
45	90111-06034-00	BOLT,HEX. SOCKET BUTTON	3	
46	68V-81950-00-00	RELAY ASSY	1	
47	97095-06016-00	BOLT	1	
48	92995-06600-00	WASHER	1	

VZ225TLRD 2005 / ELECTRICAL 2



©2013 Yamaha Motor Corporation, U.S.A. All rights reserved.


Part List

VZ225TLRD 2005 / ELECTRICAL 2

REF - NO	PART NUMBER	PART NAME	QUANTITY	REMARKS
1	90447-07011-00	TUBE	1	
2	90465-11M10-00	CLAMP	1	
3	61A-81949-00-00	WIRE, LEAD	1	
4	97095-06012-00	BOLT	2	
5	92995-06600-00	WASHER	2	
6	60X-82105-00-00	WIRE HARNESS	1	
7	95333-08600-00	NUT	2	
8	92903-08100-00	WASHER, SPRING	2	
9	6D0-82531-00-00	WIRE, LEAD	1	
10	60V-82590-51-00	WIRE HARNESS ASSY	1	
11	97095-06012-00	BOLT	4	
12	92995-06600-00	WASHER	4	
13	90465-11M52-00	CLAMP	2	
14	90465-13M18-00	CLAMP	1	
15	90465-11M10-00	CLAMP	2	
16	60V-8259M-20-00	WIRE HARNESS ASSY 2	1	
17	90465-11M52-00	CLAMP	2	
18	90465-05M87-00	CLAMP	1	
19	90465-11M10-00	CLAMP	1	
20	90464-11008-00	CLAMP	1	
21	90465-11M10-00	CLAMP	1	
22	69J-82563-00-00	TRIM & TILT SWITCH ASSY	1	
23	69J-82587-00-00	GASKET	2	
24	69J-42723-00-00	COVER, BOTTOM	1	
25	60V-83614-20-00	BRACKET	1	
26	60V-83614-10-00	BRACKET	1	
27	60V-83635-10-00	BRACKET	1	
28	90464-20213-00	CLAMP	2	
29	97095-06014-00	BOLT	1	
30	90109-06M86-00	BOLT	4	
31	60V-83618-00-00	PLATE	1	
32	68F-83634-00-00	GROMMET	1	
33	67H-82380-00-00	SENSOR, PRESSURE	1	
34	98580-06520-00	SCREW, PAN HEAD	2	
35	6E5-82588-00-00	PLATE	2	
36	95895-06020-00	BOLT, FLANGE	2	

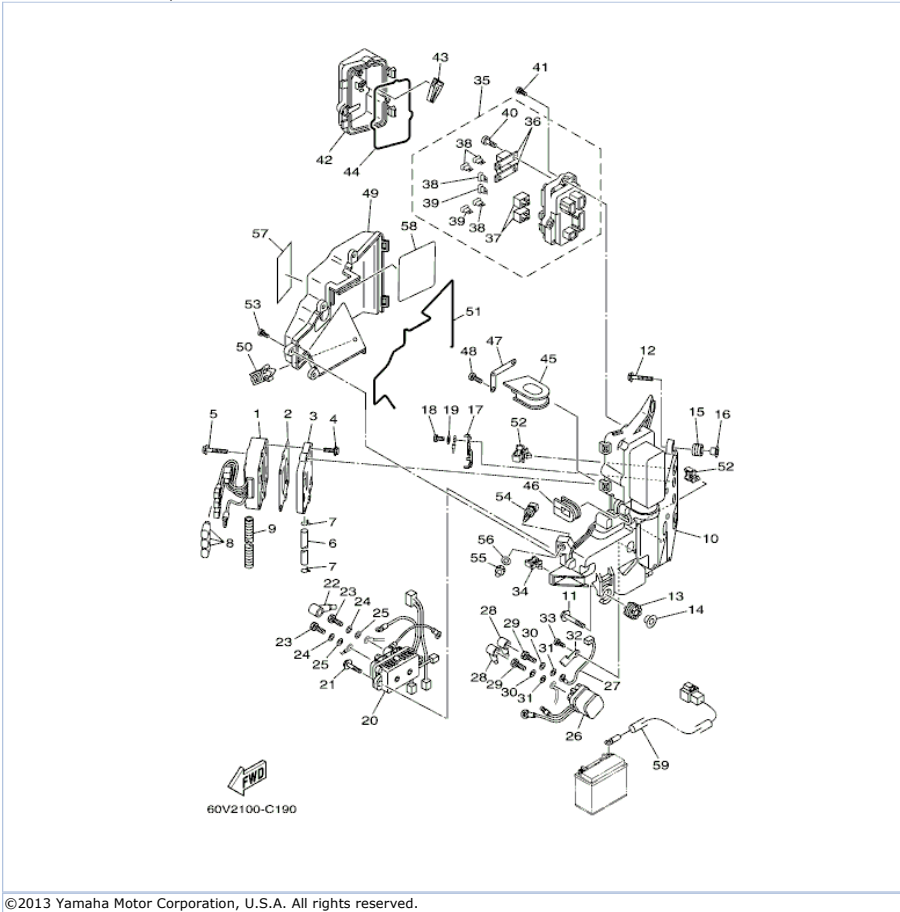
Part Notes

VZ225TLRD 2005 / ELECTRICAL 2

PART NUMBER	NOTE TEXT
60V-8259M-20-00	 OEM: All Z300 and LZ300 models which call for this part number and have had the water-instrusion kit added per technical bulletin O2005-006 (not applicable to VZ300 models) will require p/n 6D0-8259

©2013 Yamaha Motor Corporation, U.S.A. All rights reserved.

VZ225TLRD 2005 / ELECTRICAL 3



©2013 Yamaha Motor Corporation, U.S.A. All rights reserved.



Part List

VZ225TLRD 2005 / ELECTRICAL 3

REF - NO	PART NUMBER	PART NAME	QUANTITY	REMARKS
1	60V-81960-01-00	RECTIFIER & REGULATOR ASSY	1	
2	60V-81975-A0-00	PLATE, RECTIFIER FITTING	1	
3	60V-81972-00-1S	COVER, RECTIFIER	1	
4	90119-06MA3-00	BOLT, WITH WASHER	4	
5	90119-06MA4-00	BOLT, WITH WASHER	2	
6	90445-09M25-00	HOSE (L600)	2	
7	90467-08M18-00	CLIP	2	
8	6L2-82599-01-00	COVER, CONNECTER	3	
9	90447-10004-00	TUBE	1	
10	60V-81948-00-00	BRACKET	1	
11	68F-85119-00-00	BOLT	3	
12	90119-06M65-00	BOLT, WITH WASHER	1	
13	68F-85516-01-00	SPACER	3	
14	68F-86129-00-00	COLLAR	3	
15	6A0-82317-00-00	DAMPER, IGNITION COIL	1	
16	624-42542-00-00	PIPE	1	
17	60V-87149-00-00	CONNECTOR	1	
18	97095-06012-00	BOLT	2	
19	92995-06600-00	WASHER	2	
20	60V-81950-00-00	RELAY ASSY	1	
21	90119-06MA4-00	BOLT, WITH WASHER	2	
22	682-82119-01-00	COVER, LEAD WIRE	1	
23	97095-06010-00	BOLT	2	
24	92995-06100-00	WASHER, SPRING	2	
25	92995-06600-00	WASHER	2	
26	68V-8194A-00-00	RELAY	1	
27	68F-82117-00-00	WIRE, LEAD	1	
28	682-82119-01-00	COVER, LEAD WIRE	2	
29	97095-06010-00	BOLT	2	
30	92995-06100-00	WASHER, SPRING	2	
31	92995-06600-00	WASHER	2	
32	68V-81953-00-00	STAY, RELAY	1	
33	97780-60620-00	SCREW, TAPPING	1	
34	90464-23199-00	CLAMP	2	
35	60V-82170-01-00	FUSE BOX ASSY	1	
36	6P2-82151-00-00	..FUSE (60A)	2	
37	68F-8195A-00-00	.RELAY ASSY	2	
38	67F-82151-00-00	.FUSE (20A)	4	
39	67F-82151-10-00	.FUSE (30A)	2	
40	68F-82846-00-00	.SCREW, PAN HEAD (M5)	4	
41	97780-50620-00	SCREW, TAPPING	3	
42	60V-85544-00-00	CASE	1	
43	67F-2812A-00-00	.PULLER, FUSE	1	
44	60V-82157-00-00	DAMPER	1	
45	60V-81336-00-00	GROMMET	1	
46	60V-81336-10-00	GROMMET	1	
47	60V-81128-00-00	CLAMP	1	
48	97780-50620-00	SCREW, TAPPING	3	
49	60V-81942-10-00	COVER	1	
50	90464-08004-00	CLAMP	1	
51	60V-82176-00-00	DAMPER	1	
52	90464-23199-00	CLAMP	2	
53	90169-05M00-00	SCREW, TRUSS HEAD TAPPING	4	
54	65L-85886-00-00	THERMOSENSOR	1	
55	60V-85553-00-00	NUT, ROTOR	1	
56	90201-12M34-00	.WASHER, PLATE	1	
57	60V-81919-01-00	GRAPHIC, REGULATOR	1	
58	60V-81919-10-00	GRAPHIC, REGULATOR	1	
59	69J-81949-00-00	WIRE, LEAD (ISOLATOR CABLE)	1	AP

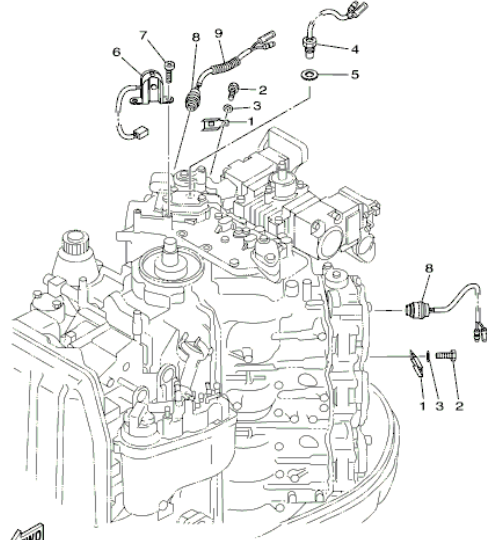
Part Notes

VZ225TLRD 2005 / ELECTRICAL 3

PART NUMBER	NOTE TEXT
92995-06100-00	 OEM: This part number is among the Top 100 Most Popular Marine Maintenance Parts as of August 2013.
92995-06100-00	 OEM: This part number is among the Top 100 Most Popular Marine Maintenance Parts as of August 2013.

©2013 Yamaha Motor Corporation, U.S.A. All rights reserved.

VZ225TLRD 2005 / ELECTRICAL 4




60V1010-3190

©2013 Yamaha Motor Corporation, U.S.A. All rights reserved.

Part List VZ225TLRD 2005 / ELECTRICAL 4

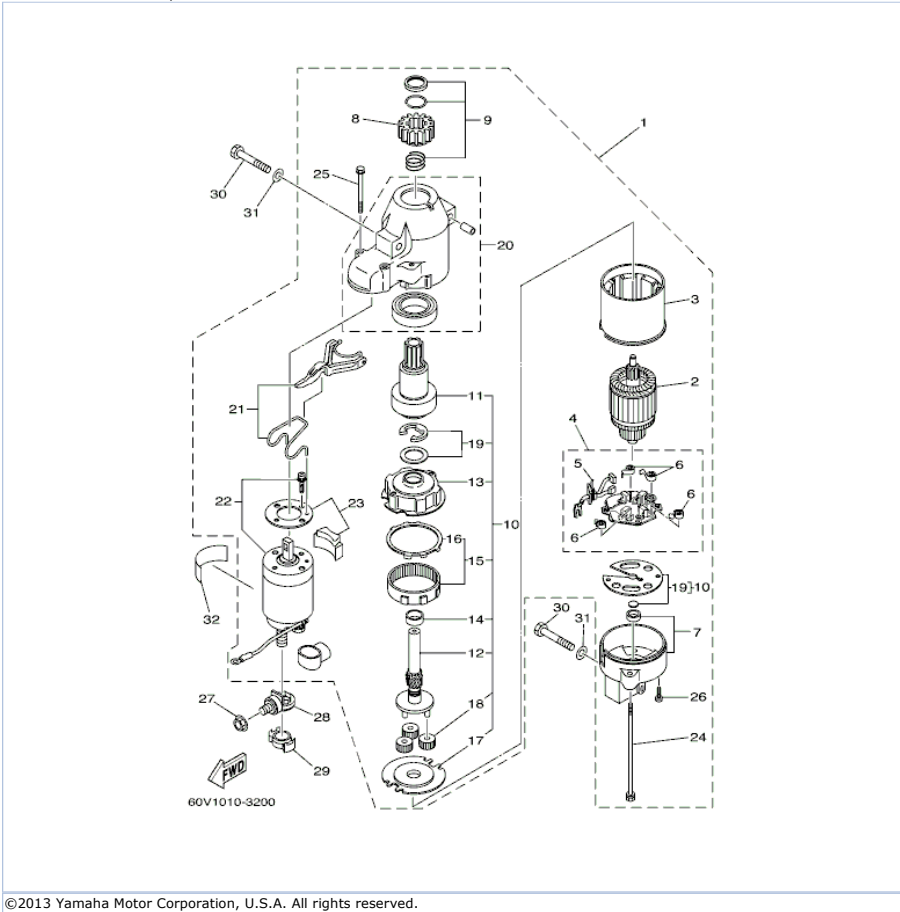
REF - NO	PART NUMBER	PART NAME	QUANTITY	REMARKS
1	60V-82588-00-00	PLATE	3	
2	97095-06012-00	BOLT	3	
3	92995-06600-00	WASHER	3	
4	61A-85790-00-00	THERMOSENSOR ASSY	1	
5	92990-10600-00	WASHER, PLATE	1	
6	61A-85895-00-00	CRANK POSITION SENDER	1	
7	97885-05012-00	SCREW, PAN HEAD	2	
8	688-82560-10-00	THERMO SWITCH ASSY	2	
9	90446-10M87-00	HOSE (L75)	1	

Part Notes VZ225TLRD 2005 / ELECTRICAL 4

PART NUMBER	NOTE TEXT
92990-10600-00 	OEM: This part number is among the Top 100 Most Popular Marine Maintenance Parts as of August 2013.

©2013 Yamaha Motor Corporation, U.S.A. All rights reserved.

VZ225TLRD 2005 / STARTING MOTOR

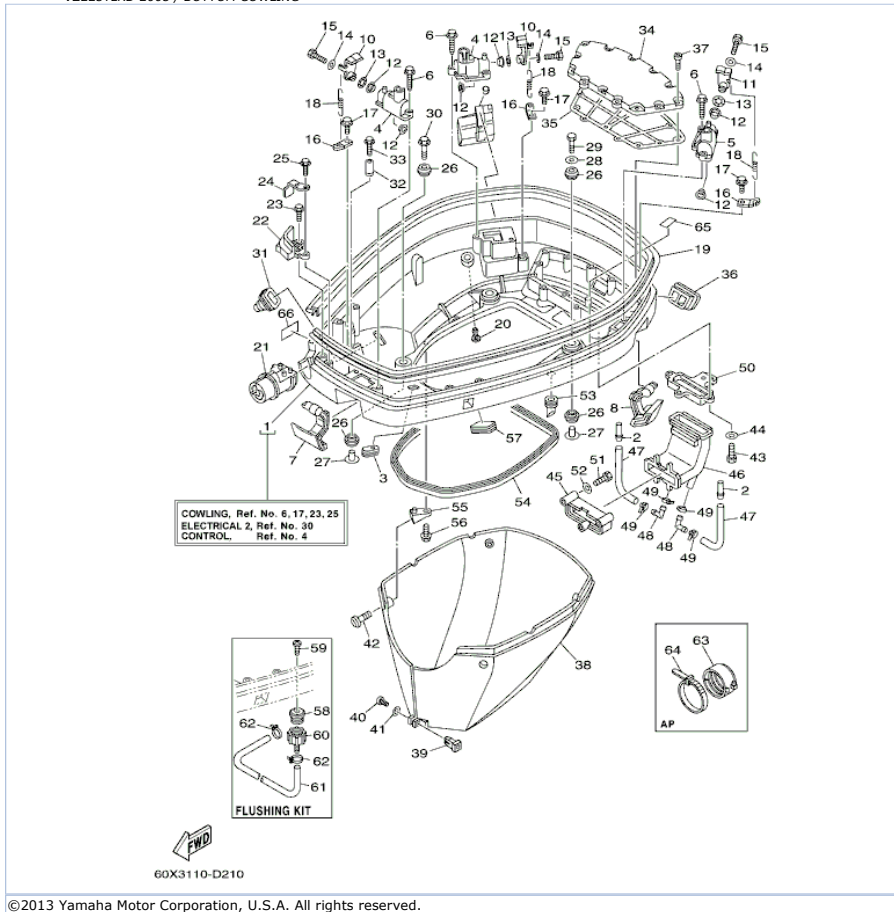


Part List

VZ225TLRD 2005 / STARTING MOTOR

REF - NO	PART NUMBER	PART NAME	QUANTITY	REMARKS
1	60X-81800-00-00	STARTING MOTOR ASSY	1	
2	67F-81850-00-00	.ARMATURE ASSY	1	
3	67F-81810-00-00	.STATOR ASSY	1	
4	69J-81840-00-00	.BRUSH HOLDER ASSY	1	
5	69J-81801-00-00	..BRUSH SET	1	
6	67F-81813-00-00	..SPRING, BRUSH	4	
7	68F-81820-00-00	.REAR BRACKET ASSY	1	
8	67F-81808-00-00	.PINION ASSY	1	
9	67F-81857-00-00	.PINION STOPPER SET	1	
10	67F-81807-00-00	.GEAR ASSY, STARTING MOTOR	1	
11	67F-81832-00-00	..CLUTCH, OVER RUN	1	
12	67F-81836-00-00	..SHAFT, PINION	1	
13	67F-81821-00-00	..BRACKET, CENTER 1	1	
14	67F-81841-00-00	..BEARING	1	
15	67F-81891-00-00	..GEAR, RING	1	
16	67F-8183R-00-00	...GASKET	1	
17	67F-81830-00-00	..BRACKET, CENTER 2	1	
18	60V-8183T-00-00	..GEAR, IDLER	3	
19	67F-81809-00-00	..WASHER KIT	1	
20	60X-81842-00-00	.COVER	1	
21	69J-81839-00-00	.LEVER ASSY	1	
22	69J-81941-00-00	.STARTER RELAY ASSY	1	
23	69J-81869-00-00	.COVER, DUST	1	
24	6K7-81826-10-00	.BOLT	2	
25	69J-81828-00-00	.SCREW 2	2	
26	67F-81846-00-00	.SCREW	2	
27	90179-08003-00	NUT	1	
28	60V-81925-00-00	TERMINAL	1	
29	68F-82582-00-00	COVER, WIRE HARNESS	1	
30	97013-08045-00	BOLT	3	
31	92903-08600-00	WASHER, PLATE	3	
32	67F-83627-01-00	LABEL, CAUTION 7	1	

VZ225TLRD 2005 / BOTTOM COWLING

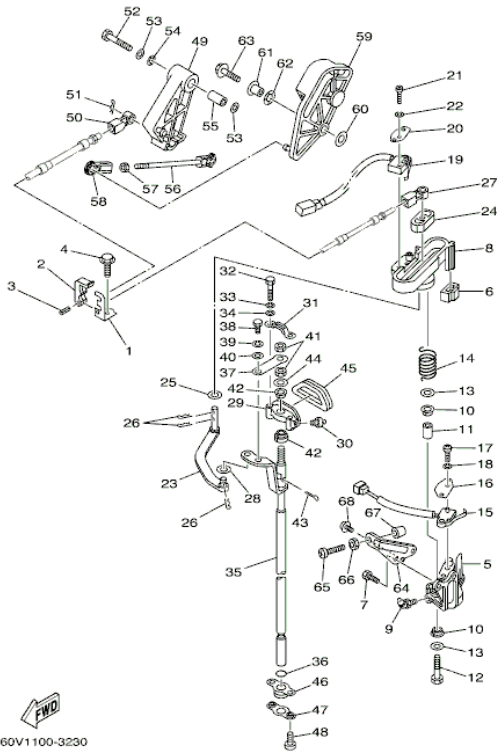


Part List

VZ225TLRD 2005 / BOTTOM COWLING

REF - NO	PART NUMBER	PART NAME	QUANTITY	REMARKS
1	60V-42710-00-8D	BOTTOM COWLING ASSY	1	
2	6E5-24377-00-00	PIPE, JOINT 2	2	
3	61A-42727-00-00	GROMMET	1	
4	68F-42828-00-94	PLATE, CLAMP	2	
5	68F-42828-10-94	PLATE, CLAMP	1	
6	90109-06M82-00	BOLT	6	
7	60V-42815-00-8D	LEVER, CLAMP	1	
8	60V-42816-00-8D	LEVER, CLAMP	1	
9	60V-42817-00-8D	LEVER, CLAMP	1	
10	68F-42818-01-00	LEVER, CLAMP	2	
11	6D8-42818-00-00	LEVER, CLAMP	1	
12	90386-15M73-00	BUSH	6	
13	90206-15M18-00	WASHER, WAVE	3	
14	90201-06068-00	WASHER, PLATE	3	
15	97095-06016-00	BOLT	3	
16	64D-43144-00-00	HOOK, SPRING	3	
17	90109-06M80-00	BOLT	3	
18	90506-16M34-00	SPRING, TENSION	3	
19	60V-42615-00-00	SEAL	1	
20	6E5-44391-00-00	NIPPLE, HOSE	1	
21	60V-42725-00-00	GROMMET	1	
22	60V-42738-00-8D	PLATE, FITTING	1	
23	90109-06M81-00	BOLT	2	
24	64D-42738-10-5B	PLATE, FITTING	1	
25	90109-06M81-00	BOLT	1	
26	90480-22M81-00	GROMMET	8	
27	90387-08M37-00	COLLAR	4	
28	90201-08M54-00	WASHER, PLATE	1	
29	97075-08035-00	BOLT	1	
30	90119-08M22-00	BOLT, WITH WASHER	3	
31	688-42726-10-00	GROMMET	1	
32	6E5-82588-00-00	PLATE	1	
33	95895-06020-00	BOLT, FLANGE	1	
34	60V-42723-00-5B	COVER, BOTTOM	1	
35	60V-42721-A0-00	GASKET 1	1	
36	60V-42718-00-00	RUBBER, SEAL 3	1	
37	90110-06038-00	BOLT, HEXAGON SOCKET HEAD	13	
38	60V-42741-00-8D	APRON	1	
39	60V-42756-00-00	STAY, CLAMP	1	
40	97880-04016-00	SCREW, PAN HEAD	1	
41	92990-04600-00	WASHER, PLATE	1	
42	90111-06034-00	BOLT, HEX. SOCKET BUTTON	4	
43	97095-06020-00	BOLT	4	
44	92995-06600-00	WASHER	4	
45	60V-12581-00-00	JOINT, HOSE 1	1	
46	60V-12576-00-00	HOSE 1	1	
47	60V-12588-00-00	HOSE 5	2	
48	60X-24376-00-00	PIPE, JOINT 1	2	
49	90465-11M10-00	CLAMP	4	
50	60V-42771-00-00	APRON	1	
51	97075-08055-00	BOLT	3	
52	92995-08600-00	WASHER	3	
53	61A-42717-00-00	RUBBER, SEAL 2	4	
54	61A-42716-00-00	RUBBER, SEAL 1	1	
55	60V-42774-00-00	STAY, APRON 1	4	
56	95895-06016-00	BOLT, FLANGE	4	
57	6H4-42726-00-00	GROMMET	1	
58	6R3-12572-00-00	.ADAPTER	1	FLUSHING KIT
59	90169-05M00-00	SCREW, TRUSS HEAD TAPPING	1	FLUSHING KIT
60	6R3-12580-00-00	.JOINT ASSY	1	FLUSHING KIT
61	90445-11M36-00	HOSE (L: 620)	1	FLUSHING KIT
62	90465-11M10-00	CLAMP	2	FLUSHING KIT
63	68F-42753-00-00	FASTNER	1	AP
64	90464-20258-00	CLAMP	1	AP
65	68H-42791-01-00	MARK 1	1	
66	60V-2415E-40-00	LABEL, CAUTION	1	

VZ225TLRD 2005 / CONTROL



60V1100-3230

©2013 Yamaha Motor Corporation, U.S.A. All rights reserved.


Part List

VZ225TLRD 2005 / CONTROL

REF - NO	PART NUMBER	PART NAME	QUANTITY	REMARKS
1	60V-48531-10-00	BRACKET, REMOTE CONTROL 1	1	
2	663-48538-00-00	CLAMP, CABLE 1	1	
3	91690-30010-00	PIN, SPRING	1	
4	90109-06M80-00	BOLT	1	
5	60V-44117-00-1S	BRACKET	1	
6	60V-44194-00-00	CAP	1	
7	97095-06020-00	BOLT	2	
8	60V-44176-00-1S	BRACKET	1	
9	93700-06M01-00	NIPPLE, GREASE	1	
10	90386-12069-00	BUSH	2	
11	90387-08M09-00	COLLAR	1	
12	97095-08035-00	BOLT	1	
13	92995-08200-00	WASHER	2	
14	90508-20M31-00	SPRING, TORSION	1	
15	61A-8259F-00-00	SWITCH ASSY	1	
16	61A-82588-01-00	PLATE	1	
17	97885-04016-00	SCREW, PAN HEAD	2	
18	92995-04100-00	WASHER	2	
19	60V-8259F-00-00	SWITCH ASSY	1	
20	61A-82588-01-00	PLATE	1	
21	97885-04016-00	SCREW, PAN HEAD	2	
22	92995-04100-00	WASHER	2	
23	61A-44121-00-00	LEVER, SHIFT ROD	1	
24	68J-44122-01-00	BUSHING, SHIFT ROD LEVER	1	
25	90202-08M20-00	WASHER, PLATE	1	
26	90468-18008-00	CLIP	3	
27	6E5-48344-00-00	CABLE END, REMOTE CONTROL	1	
28	90202-06007-00	WASHER, PLATE	1	
29	61A-44118-00-8D	BRACKET	1	
30	93700-06M03-00	NIPPLE, GREASE	1	
31	61A-44116-00-00	SPRING	1	
32	97095-06030-00	BOLT	2	
33	92995-06100-00	WASHER, SPRING	2	
34	92995-06600-00	WASHER	2	
35	66K-44120-00-00	HANDLE GEAR SHIFT ASSY	1	
36	93210-09165-00	O-RING	1	
37	61A-44112-00-00	STAY, HANDLE GEAR SHIFT	1	
38	97013-06012-00	BOLT	1	
39	92903-06100-00	WASHER, SPRING	1	
40	92903-06600-00	WASHER, PLATE	1	
41	95313-08600-00	NUT	2	
42	90386-90M90-00	BUSH	2	
43	91490-20012-00	PIN, COTTER	1	
44	90201-09M02-00	WASHER, PLATE	1	
45	61A-15315-00-00	SEAL, CRANKCASE	1	
46	61A-42724-00-00	GROMMET	1	
47	61A-44138-00-00	WASHER	1	
48	97885-06008-00	SCREW, PAN HEAD	2	
49	65L-41632-01-00	LEVER, MAGNETO CONTROL	1	
50	6E5-48344-00-00	CABLE END, REMOTE CONTROL	1	
51	90468-18008-00	CLIP	1	
52	97013-08045-00	BOLT	1	
53	92990-08200-00	WASHER, PLAIN	2	
54	90206-12M00-00	WASHER, WAVE	1	
55	90387-08M16-00	COLLAR	1	
56	61A-41237-00-00	JOINT, LINK	1	
57	95380-05600-00	NUT	1	
58	6H4-41237-00-00	JOINT, LINK	1	
59	60V-41230-00-00	CAM ACCELERATOR COMP	1	UR VZ225, VZ250
60	90201-06M31-00	WASHER, PLATE	1	
61	90387-06M29-00	COLLAR	1	
62	90206-10M04-00	WASHER, WAVE	1	
63	90119-06MA4-00	BOLT, WITH WASHER	1	
64	69L-42744-00-00	STAY	1	
65	90157-06006-00	SCREW, PAN HEAD	1	
66	95380-06600-00	NUT, HEXAGON	1	
67	688-44194-00-00	CAP	1	
68	90159-05M25-00	.SCREW, WITH WASHER	1	

Part Notes

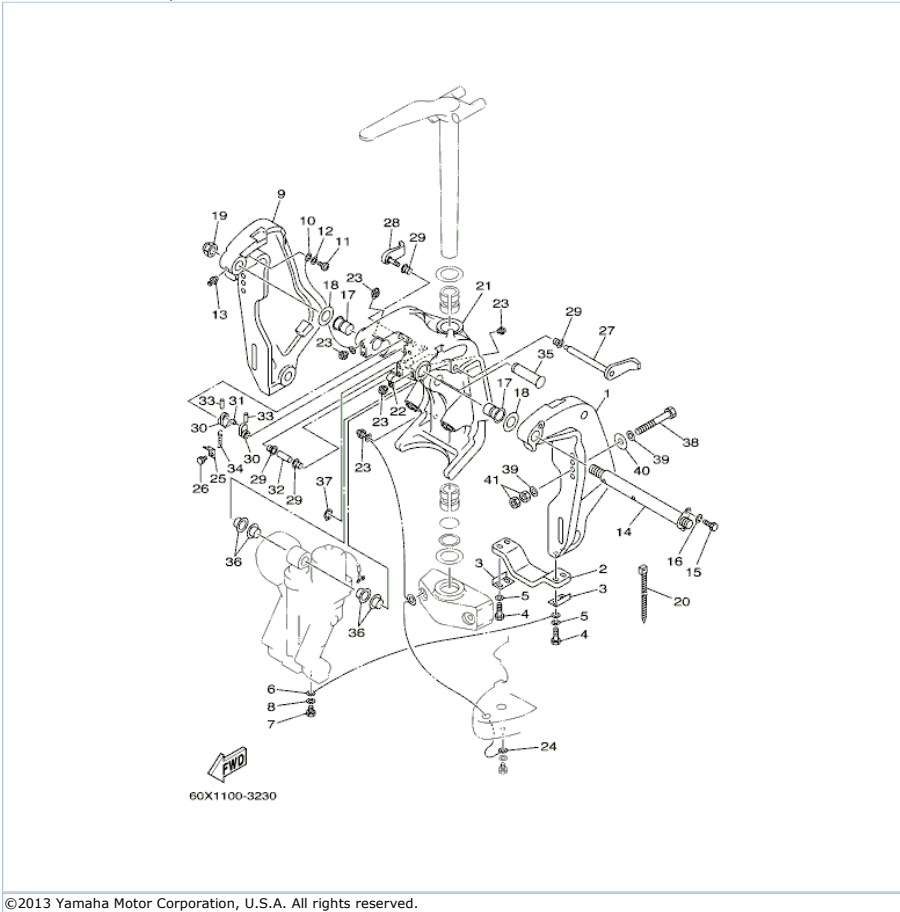
VZ225TLRD 2005 / CONTROL

PART NUMBER	NOTE TEXT
93700-06M03-00 	OEM: This part number is among the Top 100 Most Popular Marine Maintenance Parts as of August 2013.
92995-06100-00	OEM: This part number is among the Top 100 Most Popular Marine Maintenance Parts as of August 2013.



©2013 Yamaha Motor Corporation, U.S.A. All rights reserved.

VZ225TLRD 2005 / BRACKET 1



©2013 Yamaha Motor Corporation, U.S.A. All rights reserved.




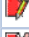

Part List

VZ225TLRD 2005 / BRACKET 1

REF - NO	PART NUMBER	PART NAME	QUANTITY	REMARKS
1	64E-43111-02-8D	BRACKET, CLAMP 1	1	
2	6G5-45251-02-00	ANODE	1	
3	6G5-44526-00-00	PLATE	2	
4	97095-06030-00	BOLT	4	
5	92995-06100-00	WASHER, SPRING	4	
6	6E5-82148-00-00	WIRE, LEAD 4	1	
7	97095-06010-00	BOLT	1	
8	92995-06600-00	WASHER	1	
9	64E-43112-02-8D	BRACKET, CLAMP 2	1	
10	6E5-82148-00-00	WIRE, LEAD 4	1	
11	97880-06012-00	SCREW, PAN HEAD	1	
12	92990-06600-00	WASHER, PLATE	1	
13	93700-06M03-00	NIPPLE, GREASE	1	
14	64E-43131-01-00	BOLT, CLAMP BRACKET	1	
15	97095-08020-00	BOLT	1	
16	92995-08100-00	WASHER	1	
17	90386-25M31-00	BUSH	2	
18	90201-26M59-00	WASHER, PLATE	2	
19	90185-22M11-00	NUT, SELF-LOCKING	1	
20	90465-11M10-00	CLAMP	1	
21	64E-43311-10-8D	BRACKET, SWIVEL 1	1	
22	90465-08M63-00	CLAMP	1	
23	93700-06M03-00	NIPPLE, GREASE	5	
24	66K-82149-00-00	WIRE, LEAD 3	1	
25	6G5-43144-00-00	HOOK, SPRING	1	
26	97095-06010-00	BOLT	1	
27	6G5-43181-02-00	LEVER, TILT STOP 1	1	
28	6G5-43185-02-00	LEVER, TILT STOP 2	1	
29	90386-10M16-00	BUSH	4	
30	6G5-43148-00-00	COLLAR, DISTANCE	2	
31	90249-06M19-00	PIN	1	
32	90387-10M05-00	COLLAR	1	
33	91690-30020-00	PIN, SPRING	2	
34	90506-16003-00	SPRING, TENSION	1	
35	64E-43126-00-00	PIN, UPPER SHOCK MOUNT	1	
36	90386-22M98-00	BUSH	4	
37	93410-22M11-00	CIRCLIP	1	
38	90101-12M77-00	BOLT (L:150MM)	2	UR
38	90101-12M05-00	BOLT (L:130MM)	4	UR
39	90201-13M01-00	WASHER, PLATE	8	
40	90201-12M05-00	WASHER, PLATE	4	
41	95380-12600-00	NUT	8	

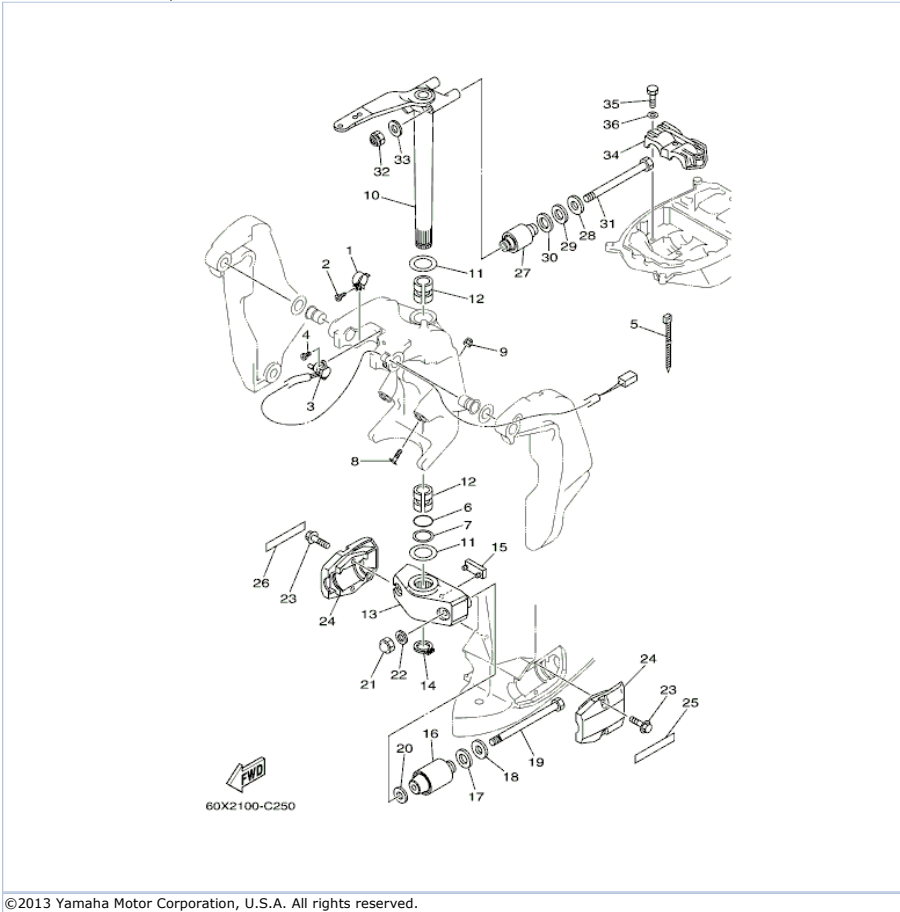
Part Notes

VZ225TLRD 2005 / BRACKET 1

PART NUMBER	NOTE TEXT
6G5-45251-02-00 	OEM: This part number is among the Top 100 Most Popular Marine Maintenance Parts as of August 2013.
92995-06100-00 	OEM: This part number is among the Top 100 Most Popular Marine Maintenance Parts as of August 2013.
92990-06600-00 	OEM: This part number is among the Top 100 Most Popular Marine Maintenance Parts as of August 2013.
93700-06M03-00 	OEM: This part number is among the Top 100 Most Popular Marine Maintenance Parts as of August 2013.
93700-06M03-00 	OEM: This part number is among the Top 100 Most Popular Marine Maintenance Parts as of August 2013.

©2013 Yamaha Motor Corporation, U.S.A. All rights reserved.

VZ225TLRD 2005 / BRACKET 2



©2013 Yamaha Motor Corporation, U.S.A. All rights reserved.

Part List

VZ225TLRD 2005 / BRACKET 2

REF - NO	PART NUMBER	PART NAME	QUANTITY	REMARKS
1	64E-43139-02-00	CAM, TRIM SENDER	1	
2	97780-60525-00	SCREW, TAPPING	1	
3	67H-83672-00-00	TRIM SENDER	1	
4	97885-06016-00	SCREW, PAN HEAD	2	
5	90465-11M10-00	CLAMP	3	
6	93210-37MH7-00	O-RING	1	
7	90202-40M47-00	WASHER, PLATE	1	
8	64E-43376-00-00	BOLT, THRUST RECEIVER	2	
9	95780-10300-00	NUT, FLANGE	2	
10	66K-42510-01-8D	STEERING BRACKET ASSY	1	
11	90201-38M60-00	WASHER, PLATE	2	
12	90386-38M32-00	BUSH	2	
13	60X-44551-00-8D	HOUSING, LOWER MOUNT RUBBER	1	
14	93410-37M04-00	CIRCLIP	1	
15	6E5-44575-00-00	DAMPER, LOWER MOUNT RUBBER	1	
16	60X-44555-00-94	MOUNT DAMPER, LOWER SIDE	2	
17	90202-32M19-00	WASHER, PLATE	2	
18	90201-16M55-00	WASHER, PLATE	2	
19	90109-14M80-00	BOLT	2	
20	90201-15M58-00	WASHER, PLATE	2	
21	95380-14800-00	NUT	2	
22	92995-14600-00	WASHER	2	
23	90101-10M70-00	BOLT	4	
24	60X-44553-00-NA	COVER, LOWER MOUNT	2	
25	65N-43155-N0-00	MARK 1	1	
26	65N-43156-N0-00	MARK 2	1	
27	69J-44514-00-94	MOUNT DAMPER, UPPER SIDE	2	
28	90201-16M01-00	WASHER, PLATE	2	
29	90202-28M46-00	WASHER, PLATE	2	
30	90201-28M01-00	WASHER, PLATE	2	
31	90109-14003-00	BOLT	2	
32	90185-14M00-00	NUT, SELF-LOCKING	2	
33	92995-14600-00	WASHER	2	
34	61A-44511-00-94	COVER, UPPER MOUNT	1	
35	97095-10045-00	BOLT	3	
36	92995-10600-00	WASHER	3	





Part List

VZ225TLRD 2005 / POWER TRIM TILT ASSY 1

REF - NO	PART NUMBER	PART NAME	QUANTITY	REMARKS
1	63P-43800-00-4D	POWER TRIM & TILT ASSY	1	
2	64E-43825-01-00	HOUSING, TRIM & TILT	1	
3	64E-43883-00-00	PLUG 2	1	
4	93210-10M74-00	O-RING	1	
5	64E-43817-00-00	FILTER 2	1	
6	63P-43810-00-00	TILT PISTON SUB ASSY	1	
7	64E-43898-00-00	.SEAL, DUST 2	1	
8	64E-43867-00-00	.O-RING	1	
9	64E-43866-00-00	.O-RING	1	
10	6E5-43862-00-00	.O-RING	1	
11	64E-43883-00-00	.O-RING	1	
12	6E5-43872-00-00	RING, BACK UP	1	
13	6E5-43814-02-00	PISTON, FREE	1	
14	6E5-43862-00-00	O-RING	1	
15	64E-43820-00-00	PISTON SUB ASSEMBLY	2	
16	64E-43821-00-00	.SCREW, TRIM CYLINDER END	1	
17	64E-43822-00-00	.SEAL, TRIM DUST	1	
18	64E-43843-00-00	.SEAL, TRIM DOWN	1	
19	6G5-43864-00-00	.O-RING	1	
20	6E5-43864-00-00	O-RING	2	
21	6E5-43874-01-00	RING, BACK UP	2	
22	64E-43828-00-00	BODY, RESERVOIR	1	
23	64E-43829-00-00	PLUG, RESERVOIR	1	
24	64E-43897-00-00	O-RING	1	
25	64E-4388E-00-00	BOLT ,SCREW (L:14MM)	3	
26	64E-43869-00-00	O-RING	6	
27	64E-4381G-00-00	PIN	1	
28	6E5-43858-00-00	BALL	1	
29	64E-4382G-00-00	VALVE, SEAT	1	
30	90201-08M14-00	WASHER, PLATE	2	
31	97080-08016-00	BOLT	2	
32	64E-43818-01-00	PIN, LOWER SHOCK MOUNT	1	
33	90386-22M98-00	BUSH	2	

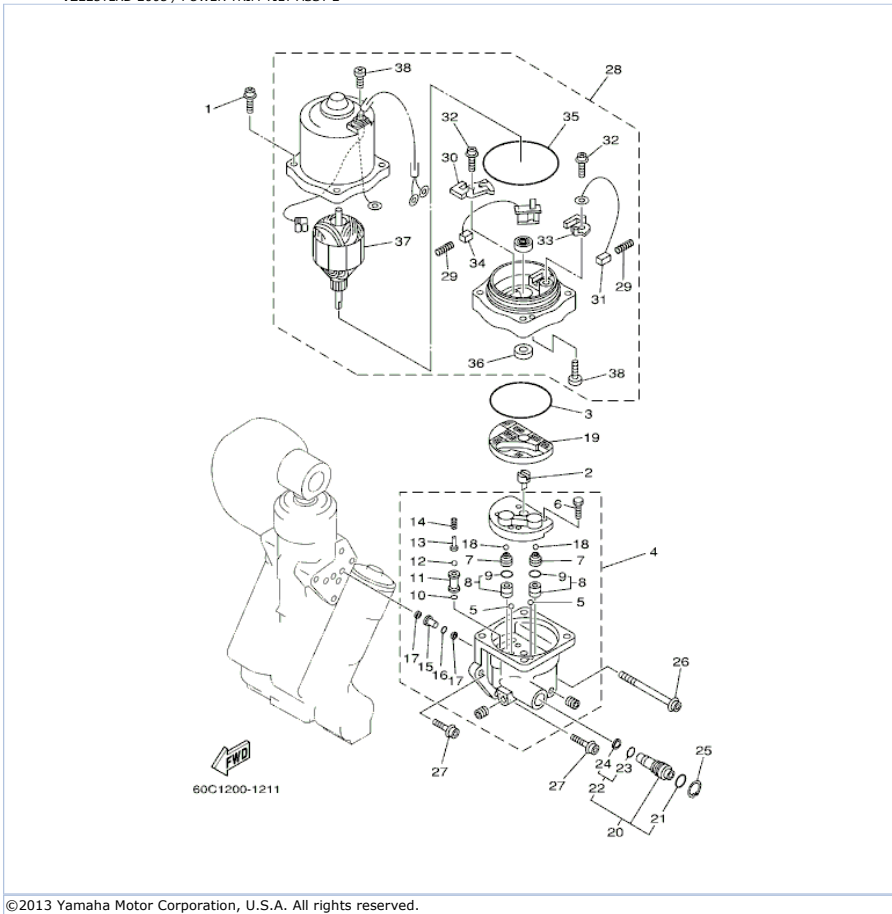
Part Notes

VZ225TLRD 2005 / POWER TRIM TILT ASSY 1

PART NUMBER	NOTE TEXT
64E-43822-00-00 	OEM: This part number is among the Top 100 Most Popular Marine Maintenance Parts as of August 2013.
64E-43843-00-00 	OEM: This part number is among the Top 100 Most Popular Marine Maintenance Parts as of August 2013.
6G5-43864-00-00 	OEM: This part number is among the Top 100 Most Popular Marine Maintenance Parts as of August 2013.
64E-43869-00-00 	OEM: This part number is among the Top 100 Most Popular Marine Maintenance Parts as of August 2013.

©2013 Yamaha Motor Corporation, U.S.A. All rights reserved.

VZ225TLRD 2005 / POWER TRIM TILT ASSY 2



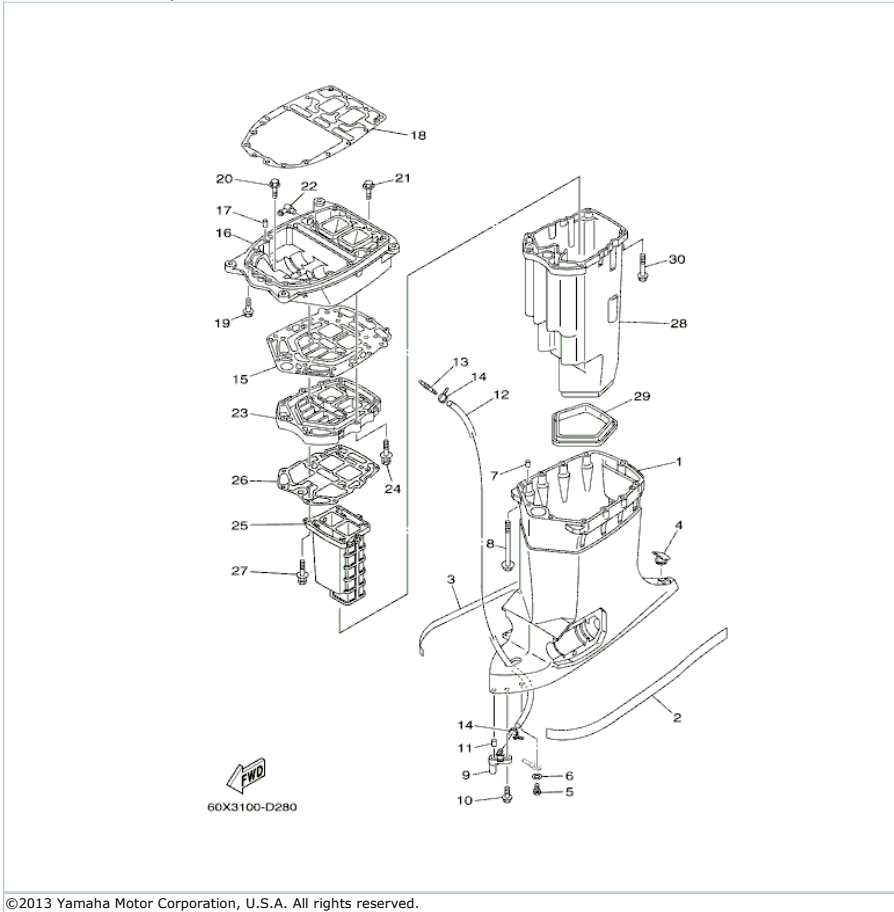
©2013 Yamaha Motor Corporation, U.S.A. All rights reserved.

Part List

VZ225TLRD 2005 / POWER TRIM TILT ASSY 2

REF - NO	PART NUMBER	PART NAME	QUANTITY	REMARKS
1	64E-4388E-10-00	BOLT ,SCREW (L:14MM)	4	
2	64E-43831-00-00	CONNECTOR, SHAFT	1	
3	64E-43868-00-00	O-RING	1	
4	64E-43830-00-00	GEAR PUMP ASSY	1	
5	72X-43858-00-00	.BALL	2	
6	64E-43843-00-00	.SCREW, VALVE LOCK	4	
7	64E-43841-00-00	.PISTON, SHUTTLE	2	
8	64E-43802-00-00	.VALVE SUB ASSY	2	
9	6E5-43896-00-00	..O-RING	1	
10	6G5-43863-00-00	.O-RING	1	
11	64E-43851-00-00	.SEAT, RELIEF VALVE	1	
12	64E-43858-00-00	.BALL	1	
13	64E-43859-00-00	.PIN, VALVE SUPPORT	1	
14	64E-43855-00-00	.SPRING, UP RELIEF	1	
15	64E-43850-00-00	.VALVE SUB ASSY	1	
16	64E-43865-00-00	.O-RING	1	
17	64E-43816-00-00	.FILTER 1	2	
18	64E-43858-00-00	.BALL	2	
19	64E-43817-10-00	FILTER 2	1	
20	64E-43860-00-00	MANUAL VALVE SUB-ASSY	1	
21	72X-85075-L0-00	.O-RING	1	
22	64E-43827-00-00	.RING SET	1	
23	64E-4387A-00-00	..O-RING	1	
24	64E-43873-00-00	..RING, BACK UP	1	
25	64E-43875-00-00	RING, SNAP	1	
26	64E-43879-10-00	SCREW, WITH WASHER	1	
27	64E-43879-00-00	SCREW, WITH WASHER	2	
28	67H-43880-01-00	MOTOR ASSY	1	
29	6H1-4386K-10-00	.SPRING, BRUSH	2	
30	64E-43801-00-00	.HOLDER, BRUSH	1	
31	64E-43891-00-00	.BRUSH 1	1	
32	97607-04310-00	.SCREW,WITH WASHER	2	
33	64E-4380F-00-00	.HOLDER, BRUSH 2	1	
34	64E-43892-00-00	.BREAKER COMP (BRUSH 2)	1	
35	6G5-43865-00-00	.O-RING	1	
36	93102-08M43-00	.OIL SEAL	1	
37	64E-43805-00-00	.ARMATURE ASSY	1	
38	64E-43843-10-00	.SCREW, VALVE LOCK	3	

VZ225TLRD 2005 / UPPER CASING

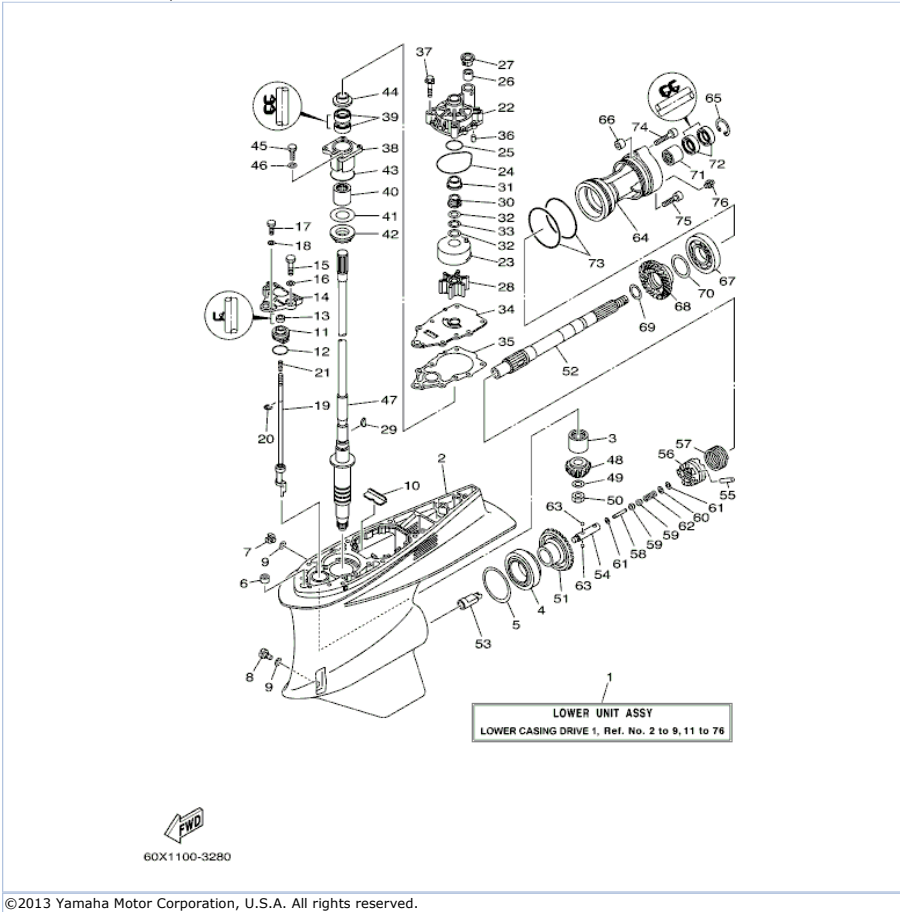


Part List

VZ225TLRD 2005 / UPPER CASING

REF - NO	PART NUMBER	PART NAME	QUANTITY	REMARKS
1	60X-45111-01-8D	CASING, UPPER	1	
2	6N9-42791-40-00	MARK 1	1	
3	6N9-42792-40-00	MARK 2	1	
4	61A-45155-00-00	CAP	1	
5	97095-06010-00	BOLT	1	
6	92995-06600-00	WASHER	1	
7	93608-12M05-00	PIN, DOWEL	2	
8	90119-08052-00	BOLT, WITH WASHER	8	
9	66K-45378-00-00	NIPPLE, HOSE	1	
10	90119-06M17-00	BOLT, WITH WASHER	1	
11	93606-12019-00	.PIN, DOWEL	1	
12	90445-07MF0-00	HOSE (L1030)	1	
13	6E5-83558-00-00	END, NIPPLE	1	
14	90465-11M10-00	CLAMP	2	
15	60V-45114-00-00	.GASKET, UPPER CASING	1	
16	60V-41137-20-94	GUIDE, EXHAUST	1	
17	93608-12M05-00	PIN, DOWEL	2	
18	60V-45113-01-00	.GASKET, UPPER CASING	1	
19	90119-08079-00	BOLT, WITH WASHER	4	
20	90119-08072-00	BOLT, WITH WASHER	4	
21	90119-08060-00	BOLT, WITH WASHER	1	
22	6H1-11372-00-00	.NIPPLE, HOSE	1	
23	60V-41131-02-5B	MANIFOLD, EXT. 1	1	
24	90119-08056-00	BOLT, WITH WASHER	4	
25	6D0-41132-00-5B	MANIFOLD, EXHAUST	1	
26	61A-41134-A0-00	.GASKET, EXHAUST MANIFOLD	1	
27	90119-08059-00	BOLT, WITH WASHER	4	
28	60X-14711-00-5B	MUFFLER 1	1	
29	60X-45123-00-00	.GASKET, MUFFLER	1	
30	90119-08059-00	BOLT, WITH WASHER	6	

VZ225TLRD 2005 / LOWER CASING DRIVE 1



©2013 Yamaha Motor Corporation, U.S.A. All rights reserved.

Part List






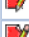


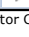
VZ225TLRD 2005 / LOWER CASING DRIVE 1

REF - NO	PART NUMBER	PART NAME	QUANTITY	REMARKS
1	60X-45300-10-NA	LOWER UNIT ASSY	1	UR VZ225, VZ250
2	60X-45311-00-NA	CASING, LOWER	1	
3	93311-83280-00	BEARING	1	
4	93332-000W1-00	BEARING	1	
5	61A-45567-00-00	SHIM (T:0.10MM)	1	UR
5	61A-45567-10-00	SHIM (T:0.12MM)	1	UR
5	61A-45567-20-00	SHIM (T:0.15MM)	1	UR
5	61A-45567-60-00	SHIM (T:0.50MM)	1	UR
5	61A-45567-40-00	SHIM (T:0.30MM)	1	UR
5	61A-45567-50-00	SHIM (T:0.40MM)	1	UR
5	61A-45567-30-00	SHIM (T:0.18MM)	1	UR
6	663-44366-00-00	DAMPER, WATER SEAL 2	1	
7	90340-08002-00	PLUG, STRAIGHT SCREW	1	
8	688-45341-10-00	PLUG, DRAIN	1	
9	90430-08020-00	.GASKET	2	
10	61A-45376-00-94	GUIDE, SEAL DAMPER	1	
11	65N-45321-00-00	PLATE	1	
12	93210-33M49-00	.O-RING	1	
13	93106-09014-00	.OIL SEAL	1	
14	60X-44312-00-00	COVER, WATER PUMP HOUSING	1	
15	97095-08030-00	BOLT	2	
16	92995-08600-00	WASHER	2	
17	97095-06016-00	BOLT	1	
18	92995-06600-00	WASHER	1	
19	60X-44150-00-00	SHIFT CAM ASSY	1	
20	99001-08600-00	CIRCLIP	1	
21	90501-11M10-00	SPRING, COMPRESSION	1	
22	61A-44311-01-00	HOUSING, WATER PUMP	1	
23	61A-44322-02-00	.INSERT, CARTRIDGE	1	
24	93210-86M38-00	.O-RING	1	
25	93210-37160-00	.O-RING	1	
26	6E5-44365-00-00	DAMPER, WATER SEAL 1	1	
27	6E5-44312-00-00	COVER, WATER PUMP HOUSING	1	
28	6E5-44352-01-00	.IMPELLER	1	
29	90280-04M05-00	.KEY, WOODRUFF	1	
30	61A-45538-00-00	SPACER 1	1	
31	61A-45527-00-00	COLLAR, DRIVE SHAFT	1	
32	90201-22M01-00	WASHER, PLATE	2	
33	90206-22M19-00	WASHER, WAVE	1	
34	60X-44323-00-00	.OUTER PLATE, CARTRIDGE	1	
35	60X-44315-A0-00	.GASKET, WATER PUMP	1	
36	93606-12019-00	.PIN, DOWEL	2	
37	90119-08M14-00	.BOLT, WITH WASHER	4	
38	61A-45331-00-94	HOUSING, BEARING	1	
39	93101-28M16-00	.OIL SEAL	2	
40	93317-330U2-00	BEARING	1	
41	61A-45587-00-00	SHIM (T:0.10MM)	1	UR
41	61A-45587-10-00	SHIM (T:0.12MM)	1	UR
41	61A-45587-20-00	SHIM (T:0.15MM)	1	UR
41	61A-45587-60-00	SHIM (T:0.50MM)	1	UR
41	61A-45587-40-00	SHIM (T:0.30MM)	1	UR
41	61A-45587-50-00	SHIM (T:0.40MM)	1	UR
41	61A-45587-30-00	SHIM (T:0.18MM)	1	UR
42	93341-930U9-00	BEARING	1	
43	93210-55M14-00	.O-RING	1	
44	6E5-45344-00-00	COVER, OIL SEAL	1	
45	97095-08025-00	BOLT	4	
46	92995-08600-00	WASHER	4	
47	60X-45501-10-00	DRIVE SHAFT COMP.	1	
48	60X-45551-00-00	PINION (16T)	1	UR VZ225, VZ250
49	90201-16M00-00	WASHER, PLATE	1	
50	90170-16M19-00	NUT	1	
51	60X-45560-00-00	GEAR 1 (28T)	1	UR VZ225, VZ250
52	60V-45611-00-00	SHAFT, PROPELLER	1	
53	61A-45641-02-00	SHIFTER	1	
54	61A-45634-01-00	SLIDE, SHIFT	1	
55	61A-45632-00-00	PIN, CROSS	1	
56	60V-45631-00-00	CLUTCH, DOG	1	
57	61A-45633-00-00	RING, CROSS PIN	1	
58	6H1-45668-00-00	SHAFT, FREE 1	1	
59	61A-45635-00-00	PLUNGER, SHIFT	2	
60	90201-02M00-00	WASHER, PLATE	1	
61	90183-02M03-00	NUT, SPRING	2	
62	90501-10M77-00	SPRING, COMPRESSION	1	
63	93501-04011-00	.BALL	2	
64	60X-45332-00-94	HOUSING, BEARING	1	

65	93450-45M02-00	CIRCLIP	1	
66	99590-14016-00	PIN, DOWEL	1	
67	93306-210U0-00	BEARING	1	
68	69L-45571-00-00	GEAR 2 (28T)	1	UR VZ225,VZ250
69	90201-31M00-00	WASHER, PLATE	1	
70	61A-45577-00-00	SHIM (T:0.10MM)	1	UR
70	61A-45577-10-00	SHIM (T:0.12MM)	1	UR
70	61A-45577-20-00	SHIM (T:0.15MM)	1	UR
70	61A-45577-60-00	SHIM (T:0.50MM)	1	UR
70	61A-45577-40-00	SHIM (T:0.30MM)	1	UR
70	61A-45577-50-00	SHIM (T:0.40MM)	1	UR
70	61A-45577-30-00	SHIM (T:0.18MM)	1	UR
71	93315-43061-00	BEARING	1	
72	93101-30002-00	.OIL SEAL	2	
73	93211-04384-00	.O-RING	2	
74	90110-10006-00	BOLT, HEXAGON SOCKET HEAD	1	
75	90110-08030-00	BOLT, HEXAGON SOCKET HEAD	1	
76	93700-09M00-00	NIPPLE, GREASE	1	

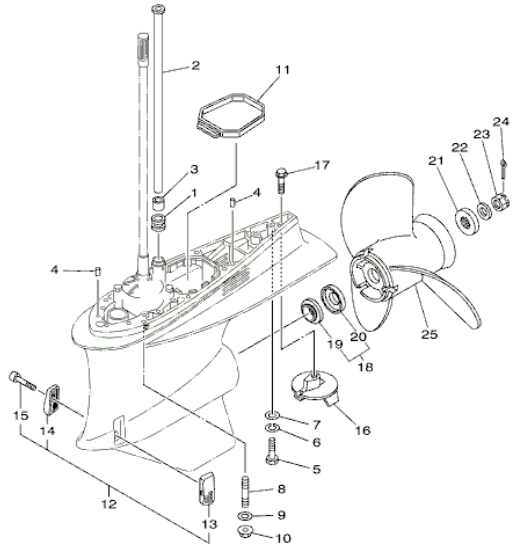
Part Notes

VZ225TLRD 2005 / LOWER CASING DRIVE 1

PART NUMBER	NOTE TEXT
90430-08020-00 	OEM: This part number is among the Top 100 Most Popular Marine Maintenance Parts as of August 2013.
93106-09014-00 	OEM: This part number is among the Top 100 Most Popular Marine Maintenance Parts as of August 2013.
61A-44311-01-00 	OEM: This part number is among the Top 100 Most Popular Marine Maintenance Parts as of August 2013.
93210-86M38-00 	OEM: This part number is among the Top 100 Most Popular Marine Maintenance Parts as of August 2013.
6E5-44352-01-00 	OEM: This part number is among the Top 100 Most Popular Marine Maintenance Parts as of August 2013.
61A-45538-00-00 	OEM: This part number is among the Top 100 Most Popular Marine Maintenance Parts as of August 2013.
61A-45527-00-00 	OEM: This part number is among the Top 100 Most Popular Marine Maintenance Parts as of August 2013.
90201-22M01-00 	OEM: This part number is among the Top 100 Most Popular Marine Maintenance Parts as of August 2013.
93101-28M16-00 	OEM: This part number is among the Top 100 Most Popular Marine Maintenance Parts as of August 2013.

©2013 Yamaha Motor Corporation, U.S.A. All rights reserved.

VZ225TLRD 2005 / LOWER CASING DRIVE 2




60X3100-D300

©2013 Yamaha Motor Corporation, U.S.A. All rights reserved.





Part List

VZ225TLRD 2005 / LOWER CASING DRIVE 2

REF - NO	PART NUMBER	PART NAME	QUANTITY	REMARKS
1	6E5-44366-00-00	DAMPER, WATER SEAL 2	1	
2	66K-44361-00-00	TUBE, WATER	1	
3	6E5-44365-00-00	DAMPER, WATER SEAL 1	1	
4	93608-12M05-00	PIN, DOWEL	2	
5	97095-10045-00	BOLT	4	
6	92995-10100-00	WASHER	4	
7	92995-10600-00	WASHER	4	
8	90116-10021-00	BOLT, STUD	4	
9	92995-10600-00	WASHER	4	
10	95780-10300-00	NUT, FLANGE	4	
11	60X-45375-00-00	DAMPER, SEAL	1	
12	60X-W4521-02-00	COVER SET, WATER INLET	1	
13	60X-45214-02-00	.COVER, WATER INLET 1	1	
14	60X-45215-02-00	.COVER, WATER INLET 2	1	
15	90110-05025-00	BOLT, HEXAGON SOCKET HEAD	1	
16	69L-45371-00-00	TAB-TRIM	1	
17	90105-10M00-00	BOLT, FLANGE	1	
18	99999-03848-00	SPACER SET	1	
19	60X-45987-10-00	SPACER 1	1	
20	60X-45995-00-00	SPACER 3	1	
21	688-45997-01-00	SPACER 2	1	
22	92990-18200-00	WASHER	1	
23	90171-18M04-00	NUT, CASTLE	1	
24	91490-40030-00	PIN. COTTER	1	
25	69L-45970-20-00	PROPELLER (3X15-1/8"X27"-T1)	1	UR
25	69L-45976-20-00	PROPELLER (3X14-3/4"X29"-T1)	1	UR
25	69L-45974-20-00	PROPELLER (3X14-1/2"X23"-T1)	1	UR
25	69L-45972-20-00	PROPELLER (3X15-1/8"X25"-T1)	1	UR

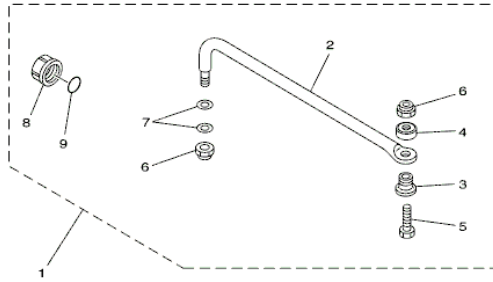
Part Notes

VZ225TLRD 2005 / LOWER CASING DRIVE 2

PART NUMBER	NOTE TEXT
90105-10M00-00	 OEM: This part number is among the Top 100 Most Popular Marine Maintenance Parts as of August 2013.
60X-45987-10-00	 OEM: The part number for a kit containing 1 - 60X-45987-10-00 (SPACER 1) and 1 - 60X-45995-00-00 (SPACER 3) is 99999-03848-00 (SPACER SET).
60X-45995-00-00	 OEM: The part number for a kit containing 1 - 60X-45987-10-00 (SPACER 1) and 1 - 60X-45995-00-00 (SPACER 3) is 99999-03848-00 (SPACER SET).
91490-40030-00	 OEM: This part number is among the Top 100 Most Popular Marine Maintenance Parts as of August 2013.

©2013 Yamaha Motor Corporation, U.S.A. All rights reserved.

VZ225TLRD 2005 / STEERING GUIDE



67H0100-9290

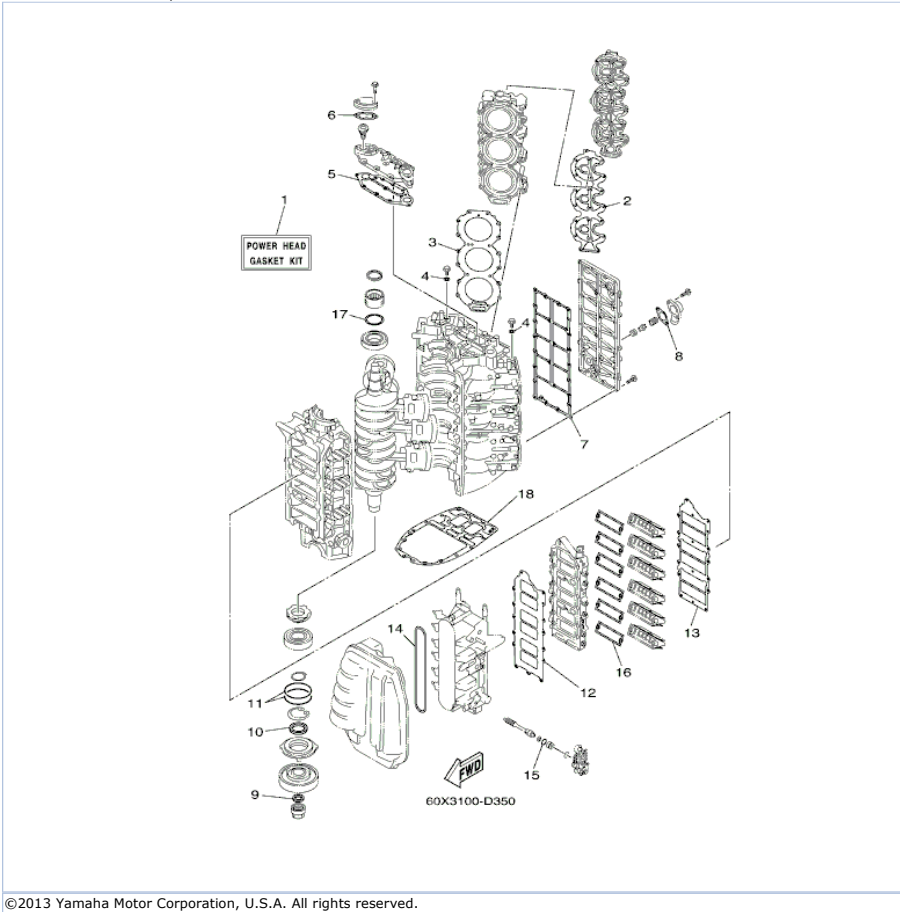
©2013 Yamaha Motor Corporation, U.S.A. All rights reserved.

Part List

VZ225TLRD 2005 / STEERING GUIDE

REF - NO	PART NUMBER	PART NAME	QUANTITY	REMARKS
1	6E5-61350-02-00	STEERING GUIDE ATTACHMENT KIT	1	AP
2	6E5-61351-01-00	.ROD, STEERING LINK	1	
3	90387-10M61-00	.COLLAR	1	
4	90560-12M01-00	.SPACER	1	
5	6E5-61355-00-00	.BOLT	1	
6	90185-09M01-00	.NUT, SELF-LOCKING	2	
7	90201-10M20-00	.WASHER, PLATE	2	
8	6E5-43145-01-00	.CAP, CLAMP BRACKET	1	
9	93210-16275-00	.O-RING	1	

VZ225TLRD 2005 / REPAIR KIT 1



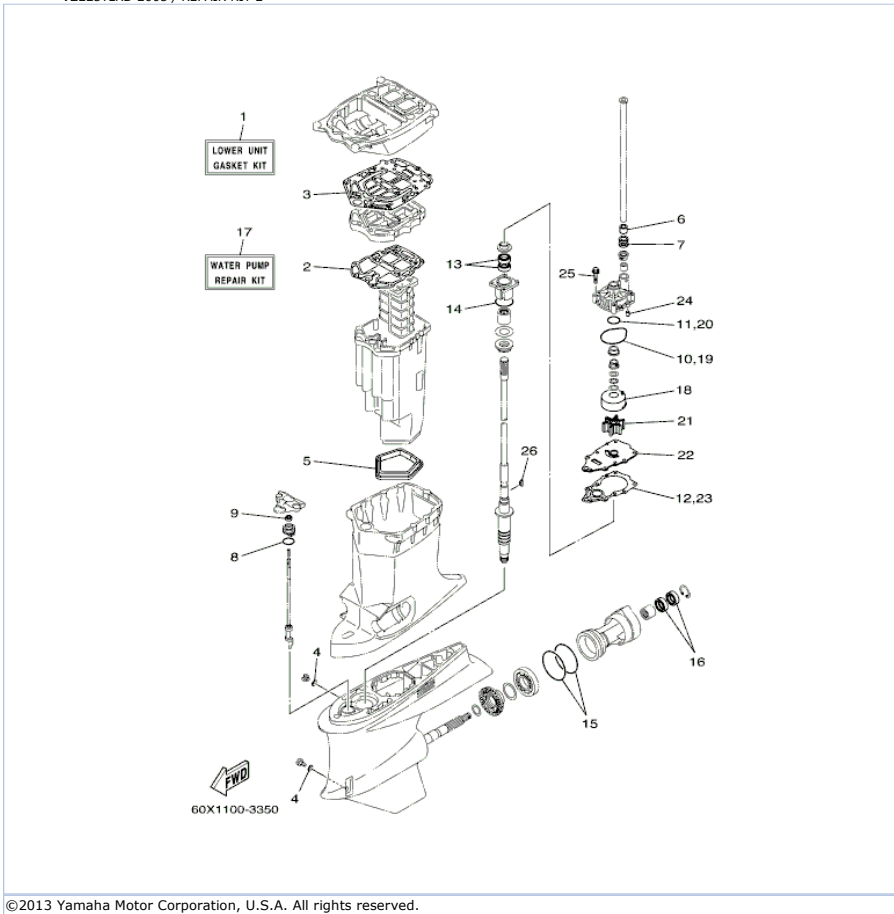
©2013 Yamaha Motor Corporation, U.S.A. All rights reserved.

Part List

VZ225TLRD 2005 / REPAIR KIT 1

REF - NO	PART NUMBER	PART NAME	QUANTITY	REMARKS
1	60V-W0001-01-00	POWER HEAD GASKET KIT	1	
2	60V-11193-00-00	.GASKET, HEAD COVER 1	2	
3	60V-11181-00-00	.GASKET, CYLINDER HEAD 1	2	
4	90430-14115-00	.GASKET	2	
5	60V-11381-00-00	.GASKET 1	1	
6	60V-12414-A0-00	.GASKET, COVER	2	
7	60V-41112-00-00	.GASKET, EXHAUST INNER COVER	1	
8	60V-11382-A0-00	.GASKET 2	1	
9	93104-22M07-00	.OIL SEAL	1	
10	93103-40011-00	.OIL SEAL	1	
11	93210-85M32-00	.O-RING	2	
12	60V-13646-00-00	.GASKET, MANIFOLD 2	1	
13	60V-13645-00-00	.GASKET, MANIFOLD 1	1	
14	60V-14476-00-00	.SEAL	1	
15	93210-18MA9-00	.O-RING	1	
16	60V-13621-A0-00	.GASKET, VALVE SEAT	6	
17	60V-11479-00-00	.GASKET	1	
18	60V-45113-01-00	.GASKET, UPPER CASING	1	

VZ225TLRD 2005 / REPAIR KIT 2









Part List

VZ225TLRD 2005 / REPAIR KIT 2

REF - NO	PART NUMBER	PART NAME	QUANTITY	REMARKS
1	60X-W0001-20-00	LOWER UNIT GASKET KIT	1	
2	61A-41134-A0-00	.GASKET, EXHAUST MANIFOLD	1	
3	60V-45114-00-00	.GASKET, UPPER CASING	1	
4	90430-08020-00	.GASKET	2	
5	60X-45123-00-00	.GASKET, MUFFLER	1	
6	6E5-44365-00-00	.DAMPER, WATER SEAL 1	1	
7	6E5-44366-00-00	.DAMPER, WATER SEAL 2	1	
8	93210-33M49-00	.O-RING	1	
9	93106-09014-00	.OIL SEAL	1	
10	93210-86M38-00	.O-RING	1	
11	93210-37160-00	.O-RING	1	
12	60X-44315-A0-00	.GASKET, WATER PUMP	1	
13	93101-28M16-00	.OIL SEAL	2	
14	93210-55M14-00	.O-RING	1	
15	93211-04384-00	.O-RING	2	
16	93101-30002-00	.OIL SEAL	2	
17	60X-W0078-00-00	WATER PUMP REPAIR KIT	1	
18	61A-44322-02-00	.INSERT, CARTRIDGE	1	
19	93210-86M38-00	.O-RING	1	
20	93210-37160-00	.O-RING	1	
21	6E5-44352-01-00	.IMPELLER	1	
22	60X-44323-00-00	.OUTER PLATE, CARTRIDGE	1	
23	60X-44315-A0-00	.GASKET, WATER PUMP	1	
24	93606-12019-00	.PIN, DOWEL	2	
25	90119-08M14-00	.BOLT, WITH WASHER	4	
26	90280-04M05-00	.KEY, WOODRUFF	1	

Part Notes

VZ225TLRD 2005 / REPAIR KIT 2

PART NUMBER	NOTE TEXT
90430-08020-00 	OEM: This part number is among the Top 100 Most Popular Marine Maintenance Parts as of August 2013.
93106-09014-00 	OEM: This part number is among the Top 100 Most Popular Marine Maintenance Parts as of August 2013.
93210-86M38-00 	OEM: This part number is among the Top 100 Most Popular Marine Maintenance Parts as of August 2013.
93101-28M16-00 	OEM: This part number is among the Top 100 Most Popular Marine Maintenance Parts as of August 2013.
93210-86M38-00 	OEM: This part number is among the Top 100 Most Popular Marine Maintenance Parts as of August 2013.
6E5-44352-01-00 	OEM: This part number is among the Top 100 Most Popular Marine Maintenance Parts as of August 2013.

©2013 Yamaha Motor Corporation, U.S.A. All rights reserved.

VZ225TLRD 2005 / MODELS IN THIS CATALOG

VZ200TLRD (6P51)

Engine Serial No. (VZ200TLRD): TBA and following

VZ225TLRD (60Y3)

Engine Serial No. (VZ225TLRD): 60YL-1001793 and following

VZ250TLRD (60X3)

Engine Serial No. (VZ250TLRD): 60XL-1001443 and following

**ALL THESE MODELS USE THIS SAME PARTS CATALOG.
BE SURE TO ORDER ONLY THOSE PARTS APPLICABLE
TO THE DESIRED MODEL.**

©2013 Yamaha Motor Corporation, U.S.A. All rights reserved.

©2013 Yamaha Motor Corporation, U.S.A. All rights reserved.