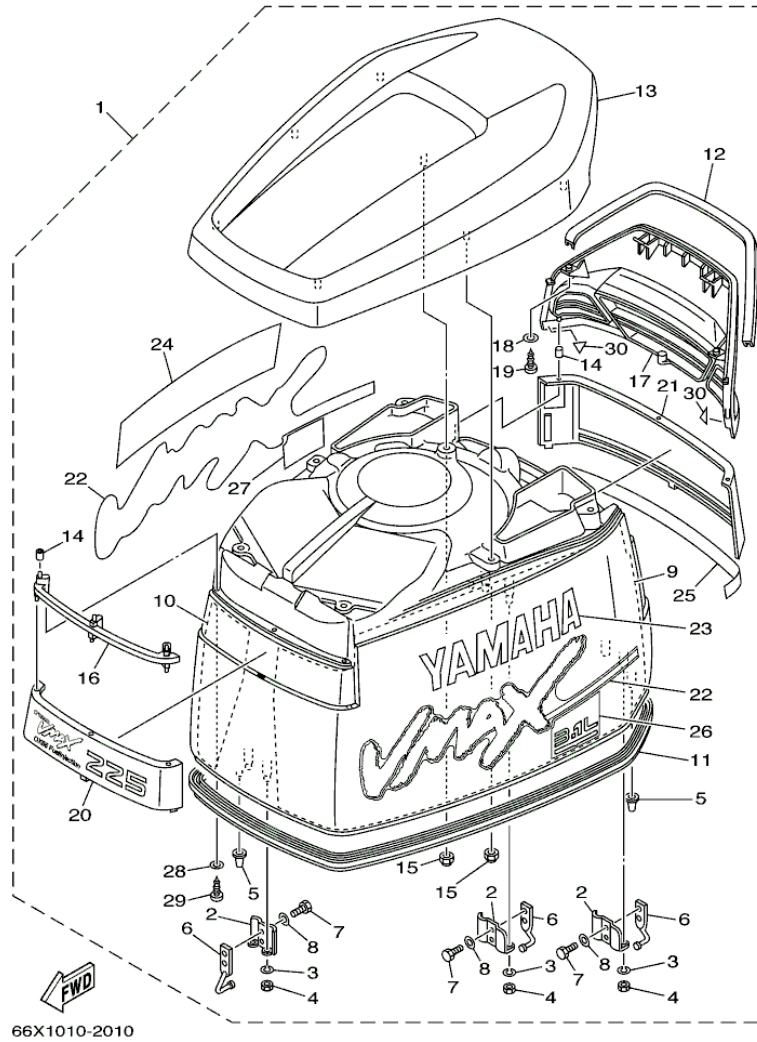


VX225TLRC 2004 / TOP COWLING



©2013 Yamaha Motor Corporation, U.S.A. All rights reserved.


Part List

VX225TLRC 2004 / TOP COWLING

REF - NO	PART NUMBER	PART NAME	QUANTITY	REMARKS
1	66K-42610-P0-NA	TOP COWLING ASSY	1	UR VX225
1	66X-42610-P0-NA	TOP COWLING ASSY	1	UR VX200
2	6R3-42647-00-00	.HOLDER, CLAMP BAND	3	
3	92990-06100-00	.WASHER, SPRING	6	
4	95380-06600-00	.NUT, HEXAGON	6	
5	6R3-42662-00-00	.DAMPER	3	
6	6R3-42814-00-00	.HOOK, CLAMP	3	
7	97095-06012-00	.BOLT	6	
8	92990-06600-00	.WASHER, PLATE	6	
9	61A-42619-02-00	.DAMPER, FORM	1	
10	61A-42627-02-00	.DAMPER, FORM	1	
11	61A-42615-01-00	.SEAL	1	
12	66K-42662-00-00	.DAMPER	1	
13	66K-42613-00-NA	.MOLDING, AIR DUCT	1	
14	90385-04M05-00	.BUSH	6	
15	90179-06M24-00	.NUT	7	
16	61A-42626-00-00	.LOUVER, 1	1	
17	66K-42636-00-NA	.LOUVER 2	1	
18	92990-05200-00	.WASHER, PLAIN	4	
19	97780-50616-00	.SCREW, TAPPING	4	
20	66K-42686-P0-00	.EMBLEM, FRONT	1	
20	66X-42686-P0-00	.EMBLEM, FRONT	1	
21	66X-42687-N0-00	.EMBLEM, REAR	1	
21	66K-42687-N0-00	.EMBLEM, REAR	1	
22	66K-W0070-N0-00	.GRAPHIC SET	1	
23	66K-42681-N0-00	.MARK, COWLING	1	
24	66K-42682-N0-00	.MARK, COWLING	1	
25	66K-4267A-N0-00	.GRAPHIC, REAR 2	1	
26	66K-42683-N1-00	.MARK, COWLING	1	
27	66K-42684-N1-00	.MARK, COWLING	1	
28	92990-04600-00	.WASHER, PLATE	3	
29	97707-50620-00	..SCREW, TAPPING	3	
30	66K-42628-00-00	.SEAL	2	

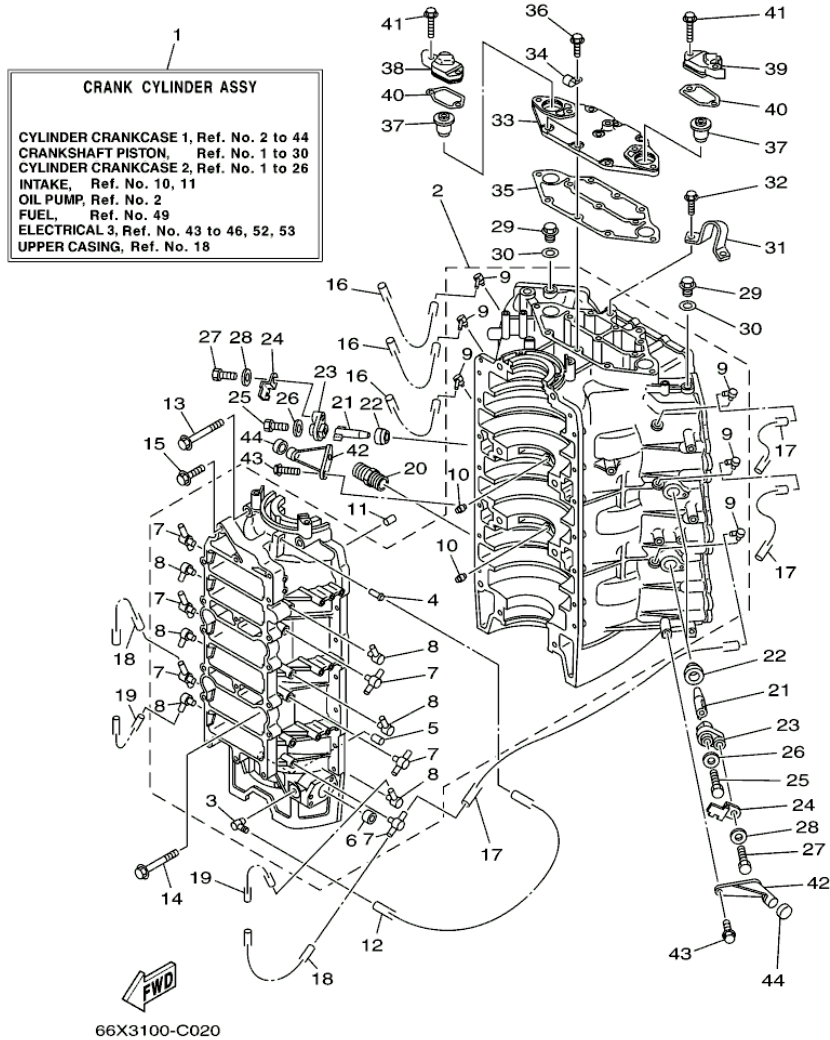
Part Notes

VX225TLRC 2004 / TOP COWLING

PART NUMBER	NOTE TEXT
92990-06600-00 	OEM: This part number is among the Top 100 Most Popular Marine Maintenance Parts as of August 2013.

©2013 Yamaha Motor Corporation, U.S.A. All rights reserved.

VX225TLRC 2004 / CYLINDER CRANKCASE 1



©2013 Yamaha Motor Corporation, U.S.A. All rights reserved.


Part List

VX225TLRC 2004 / CYLINDER CRANKCASE 1

REF - NO	PART NUMBER	PART NAME	QUANTITY	REMARKS
1	66K-W0090-14-1S	CRANK CYLINDER ASSY	1	UR VX225
1	66X-W0090-14-1S	CRANK CYLINDER ASSY	1	UR VX200
2	65L-15100-03-1S	CRANKCASE ASSY	1	UR VX225
2	65J-15100-03-1S	CRANKCASE ASSY	1	UR VX200
3	6E5-11372-01-00	.NIPPLE, HOSE	1	
4	624-14485-00-00	.PIPE, JOINT	1	
5	90384-06M07-00	.BUSH, BIMETAL FORMED	1	
6	90383-16M01-00	.BUSH, FORMED	1	
7	6F6-11372-01-00	.NIPPLE, HOSE	6	
8	650-11372-01-00	.NIPPLE, HOSE	6	
9	6E5-11372-01-00	.NIPPLE, HOSE	6	
10	663-11518-01-00	.LOCK, BEARING	2	
11	93608-12063-00	PIN, DOWEL	2	
12	90445-07M11-00	HOSE (L610)	1	
13	90105-10M62-00	BOLT, FLANGE	4	
14	90105-10M75-00	BOLT, FLANGE	4	
15	90119-06089-00	BOLT, WITH WASHER	14	
16	90445-07M44-00	HOSE (L250)	3	
17	90445-07M40-00	HOSE (L225)	3	
18	90445-07MA6-00	HOSE (L90)	6	
19	90445-07M90-00	HOSE (L390)	6	
20	6G5-12581-00-00	JOINT, HOSE 1	1	
21	62Y-11325-00-00	ANODE	3	
22	66M-11328-00-00	GROMMET, ANODE	3	
23	66M-11327-00-94	COVER, ANODE	3	
24	66M-12535-00-00	PLATE	3	
25	97095-05012-00	BOLT	3	
26	92990-05600-00	WASHER, PLATE	3	
27	97013-06020-00	BOLT	3	
28	92903-06600-00	WASHER, PLATE	3	
29	90340-14M00-00	.PLUG, STRAIGHT SCREW	2	
30	90430-14115-00	.GASKET	2	
31	6E5-11119-01-00	HANGER, ENGINE	1	
32	90119-08MA3-00	BOLT, WITH WASHER	2	
33	61A-11371-00-1S	COVER	1	
34	90465-06M86-00	CLAMP	2	
35	61A-11381-A0-00	.GASKET 1	1	
36	90119-06MA2-00	BOLT, WITH WASHER	7	
37	6E5-12411-30-00	THERMOSTAT	2	
38	61A-12413-21-1S	COVER, THERMOSTAT	1	
39	61A-12413-31-1S	COVER, THERMOSTAT	1	
40	61A-12414-A0-00	.GASKET, COVER	2	
41	90119-06MA5-00	BOLT, WITH WASHER	4	
42	6E5-42761-00-1S	STOPPER	2	
43	90119-06MA2-00	BOLT, WITH WASHER	4	
44	68F-44533-00-00	DAMPER, UPPER MOUNT RUBBER	2	

Part Notes

VX225TLRC 2004 / CYLINDER CRANKCASE 1

PART NUMBER	NOTE TEXT
6E5-12411-30-00 	OEM: This part number is among the Top 100 Most Popular Marine Maintenance Parts as of August 2013.

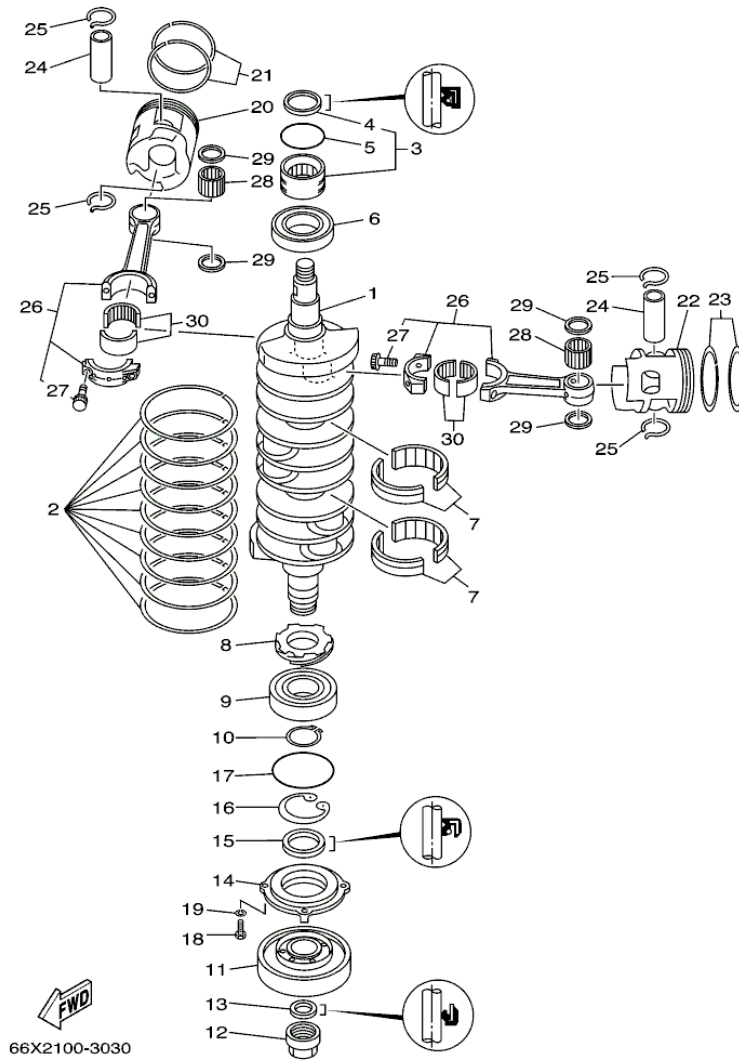
61A-12414-A0-00



OEM: This part number is among the Top 100 Most Popular Marine Maintenance Parts as of August 2013.

©2013 Yamaha Motor Corporation, U.S.A. All rights reserved.

VX225TLRC 2004 / CRANKSHAFT PISTON



©2013 Yamaha Motor Corporation, U.S.A. All rights reserved.


Part List

VX225TLRC 2004 / CRANKSHAFT PISTON

REF - NO	PART NUMBER	PART NAME	QUANTITY	REMARKS
1	6D0-11411-00-00	CRANKSHAFT	1	
2	61A-11447-00-00	SEAL, CRANK	9	
3	93311-940V0-00	BEARING	1	
4	93102-40M38-00	.OIL SEAL	1	
5	93210-54M54-00	O-RING	1	
6	93306-209U1-00	BEARING	1	
7	93310-959U0-00	BEARING	2	
8	61A-11536-00-00	GEAR, DRIVE	1	
9	93306-308U0-00	BEARING	1	
10	93410-40M03-00	CIRCLIP	1	
11	61A-11586-01-00	PULLEY, CRANKSHAFT BALANCE	1	
12	60V-11555-00-00	NUT, CRANKSHAFT 1	1	
13	93104-22M07-00	.OIL SEAL	1	
14	61A-15359-00-94	HOUSING, OIL SEAL	1	
15	93102-40M36-00	.OIL SEAL	1	
16	93420-61M07-00	CIRCLIP	1	
17	93210-81MA6-00	.O-RING	1	
18	97095-06020-00	BOLT	4	
19	92995-06100-00	WASHER, SPRING	4	
20	69L-11631-00-85	PISTON (STD)	3	
20	69L-11636-00-00	PISTON (0.50MM O/S)	3	AP
20	69L-11635-00-00	PISTON (0.25MM O/S)	3	AP
21	64D-11603-01-00	PISTON RING SET (STD)	3	
21	64D-11605-01-00	PISTON RING SET (0.50MM O/S)	3	AP
21	64D-11604-01-00	PISTON RING SET (0.25MM O/S)	3	AP
22	69L-11642-00-85	PISTON 2 (STD)	3	
22	69L-11646-00-00	PISTON 2 (0.50MM O/S)	3	AP
22	69L-11645-00-00	PISTON 2 (0.25MM O/S)	3	AP
23	64D-11603-01-00	PISTON RING SET (STD)	3	
23	64D-11605-01-00	PISTON RING SET (0.50MM O/S)	3	AP
23	64D-11604-01-00	PISTON RING SET (0.25MM O/S)	3	AP
24	61A-11633-02-00	PIN, PISTON	6	
25	61A-11634-00-00	CLIP, PISTON PIN	12	
26	66K-11650-00-00	CONNECTING ROD ASSY	6	
27	90109-09001-00	.BOLT	2	
28	93310-326V4-00	BEARING	6	
29	90201-26M03-00	WASHER, PLATE	12	
30	93310-840U1-00	BEARING	6	

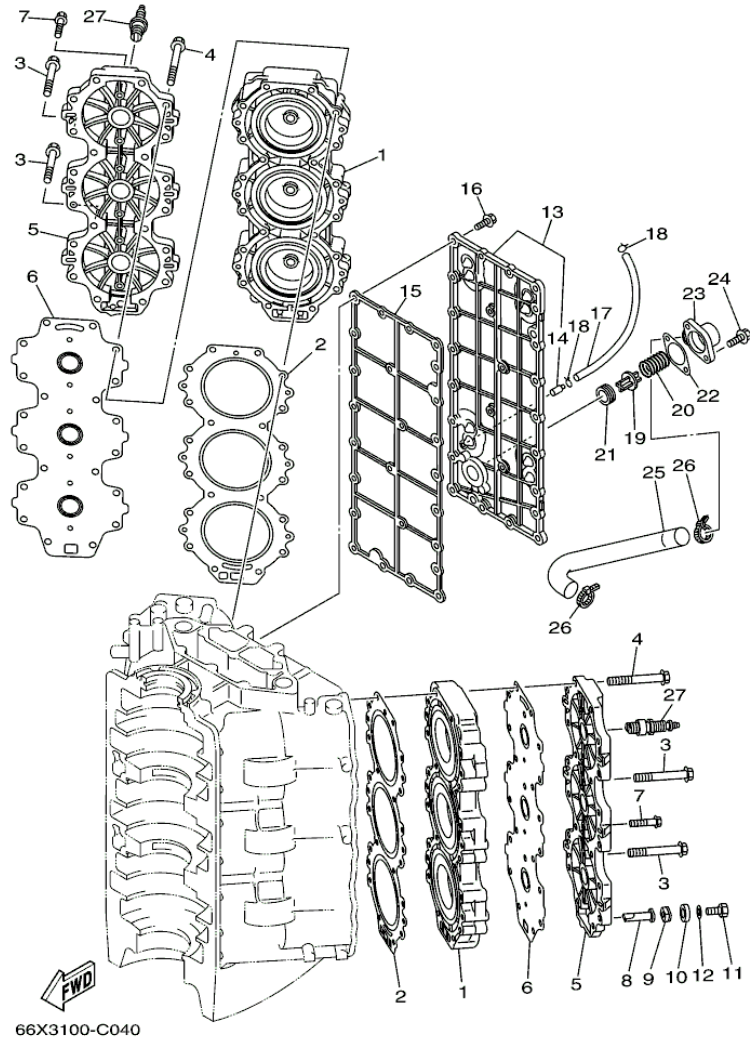
Part Notes

VX225TLRC 2004 / CRANKSHAFT PISTON

PART NUMBER	NOTE TEXT
92995-06100-00 	OEM: This part number is among the Top 100 Most Popular Marine Maintenance Parts as of August 2013.

©2013 Yamaha Motor Corporation, U.S.A. All rights reserved.

VX225TLRC 2004 / CYLINDER CRANKCASE 2



©2013 Yamaha Motor Corporation, U.S.A. All rights reserved.


Part List

VX225TLRC 2004 / CYLINDER CRANKCASE 2

REF - NO	PART NUMBER	PART NAME	QUANTITY	REMARKS
1	62J-11111-01-1S	HEAD, CYLINDER 1	2	UR VX225
1	66X-11111-00-1S	HEAD, CYLINDER 1	2	UR VX200
2	69L-11181-00-00	.GASKET, CYLINDER HEAD 1	2	
3	90119-08MA5-00	BOLT, WITH WASHER	4	
4	90119-08M99-00	BOLT, WITH WASHER	36	
5	61A-11191-00-1S	COVER, CYLINDER HEAD 1	2	
6	61A-11193-A1-00	.GASKET, HEAD COVER 1	2	
7	90119-06MA5-00	BOLT, WITH WASHER	12	
8	6J8-11325-00-00	ANODE	2	
9	6H3-11328-00-00	GROMMET, ANODE	2	
10	6H3-11327-00-1S	COVER, ANODE	2	
11	97013-06016-00	BOLT	2	
12	92903-06600-00	WASHER, PLATE	2	
13	61A-41113-00-1S	OUTER COVER, EXHAUST	1	
14	650-24378-00-00	.PIPE, JOINT 4	1	
15	61A-41112-A1-00	.GASKET, EXHAUST INNER COVER	1	
16	90119-06MA3-00	BOLT, WITH WASHER	25	
17	90445-09M25-00	HOSE (L600)	1	
18	90467-08004-00	CLIP	2	
19	6G5-12416-00-00	VALVE, PRESSURE CONTROL	1	
20	90501-16M11-00	SPRING, COMPRESSION	1	
21	90480-20M05-00	GROMMET	1	
22	6G5-11382-A1-00	.GASKET 2	1	
23	6G5-11372-00-1S	COVER, BYPASS 2	1	
24	90119-06MA2-00	BOLT, WITH WASHER	2	
25	61A-12576-00-00	HOSE 1	1	
26	90465-13M18-00	CLAMP	2	
27	NGK-BR9HS-10-00	PLUG, SPARK (NGK BR9HS- 10)	6	
27	NGK-BR8HS-10-00	PLUG, SPARK (NGK BR8HS- 10)	6	

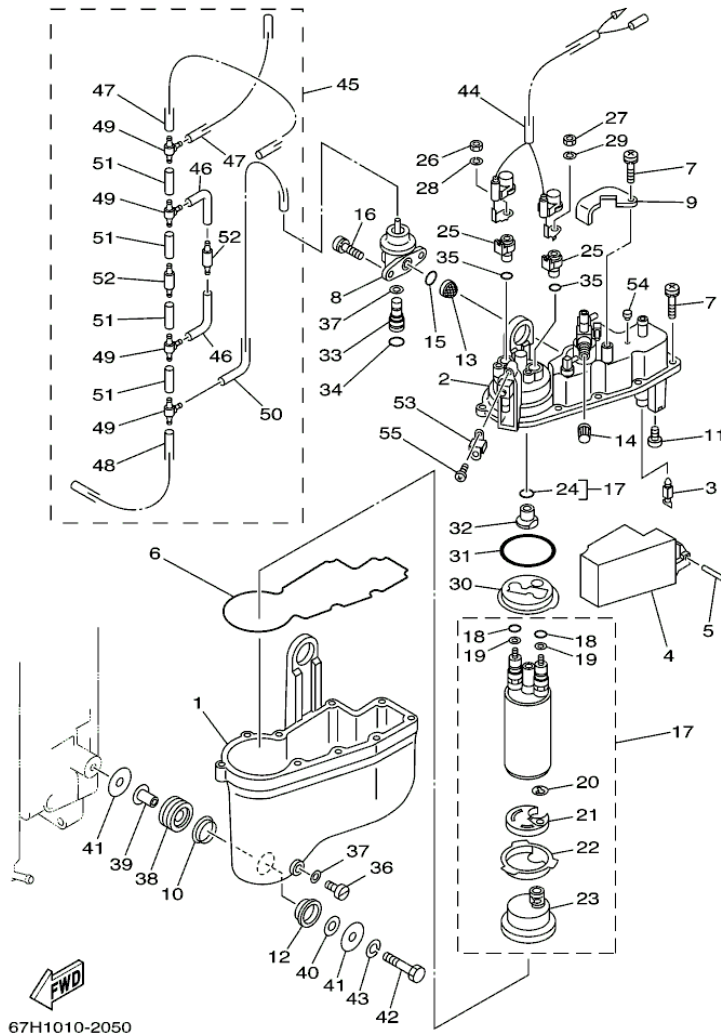
Part Notes

VX225TLRC 2004 / CYLINDER CRANKCASE 2

PART NUMBER	NOTE TEXT
90480-20M05-00 	OEM: This part number is among the Top 100 Most Popular Marine Maintenance Parts as of August 2013.

©2013 Yamaha Motor Corporation, U.S.A. All rights reserved.

VX225TLRC 2004 / FUEL INJECTION PUMP



©2013 Yamaha Motor Corporation, U.S.A. All rights reserved.

Part List


VX225TLRC 2004 / FUEL INJECTION PUMP

REF - NO	PART NUMBER	PART NAME	QUANTITY	REMARKS
1	66K-14980-00-00	BODY, FLOAT CHAMBER	1	
2	67H-14182-00-00	COVER, FLOAT CHAMBER	1	
3	65L-14546-00-00	VALVE, NEEDLE	1	
4	66K-14985-00-00	FLOAT	1	
5	66K-14548-01-00	PIN, FLOAT ARM	1	
6	66K-14984-00-00	GASKET, FLOAT CHAMBER	1	
7	65L-14125-00-00	SCREW	10	
8	66K-13906-00-00	REGULATOR, PRESSURE	1	
9	66K-14255-00-00	PLATE	1	
10	66K-14239-00-00	SEAL	3	
11	66K-14325-01-00	SCREW, PAN HEAD	2	
12	66K-14163-00-00	SPACER	3	
13	65L-13905-00-00	FILTER COMP	1	
14	65L-14966-00-00	CAP	1	
15	65L-24486-00-00	O-RING	1	
16	66K-14245-00-00	SCREW, GUIDE	2	
17	67H-13907-00-00	FUEL PUMP COMP.	1	
18	65L-14227-00-00	.O-RING	2	
19	65L-14194-00-00	.RING	2	
20	65L-14159-00-00	.CLIP	1	
21	66K-13781-00-00	.DAMPER, PUMP	1	
22	66K-13844-00-00	.PLATE 2	1	
23	66K-13915-00-00	.FILTER	1	
24	65L-1416A-00-00	.O-RING	1	
25	66K-14271-00-00	INSULATOR	2	
26	65L-8182A-00-00	NUT	1	
27	65L-8182K-00-00	NUT	1	
28	65L-8182E-00-00	WASHER	1	
29	65L-8182F-00-00	WASHER	1	
30	66K-13843-00-00	PLATE 1	1	
31	65L-14147-00-00	O-RING	1	
32	65L-14274-00-00	CONNECTOR	1	
33	66K-24376-00-00	PIPE, JOINT 1	1	
34	66K-24489-00-00	O-RING	1	
35	65L-14397-00-00	O-RING	3	
36	65L-14992-00-00	SCREW, DRAIN	1	
37	65L-14997-00-00	SEAL	2	
38	65L-24375-00-00	GROMMET	3	
39	65L-24397-00-00	COLLAR	3	
40	65L-24576-00-00	WASHER	3	
41	66K-24579-00-00	WASHER 2	6	
42	65L-24592-00-00	BOLT	3	
43	65L-24169-00-00	WASHER, LOCK	3	
44	67H-82507-00-00	WIRE, LEAD	1	
45	67H-13490-00-00	RELIEF VALVE ASSY	1	
46	66K-13542-00-00	.HOSE, VACUUM SENSING 1	2	
47	67H-13544-00-00	.HOSE, VACUUM SENSING 2	2	
48	67H-13532-00-00	.HOSE, VACUUM SENSING 3	1	
49	65L-24461-00-00	.PIPE, JOINT	4	
50	67H-13533-00-00	.HOSE, VACUUM SENSING 4	1	
51	67H-13534-00-00	.HOSE, VACUUM SENSING 5	4	
52	67H-13183-00-00	.VALVE, CHECK	2	
53	66K-13898-00-00	HOLDER	1	

54	67H-14225-00-00	.CAP	1
55	65L-14565-00-00	SCREW	1

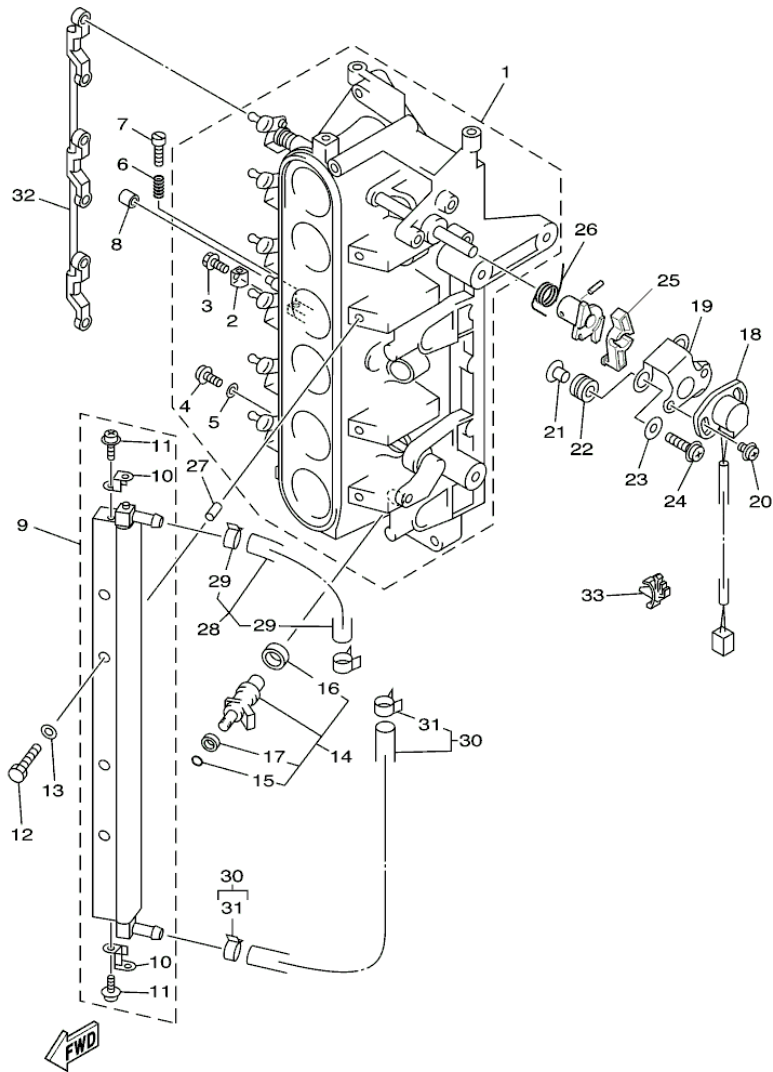
Part Notes

VX225TLRC 2004 / FUEL INJECTION PUMP

PART NUMBER	NOTE TEXT
66K-14984-00-00 	OEM: This part number is among the Top 100 Most Popular Marine Maintenance Parts as of August 2013.

©2013 Yamaha Motor Corporation, U.S.A. All rights reserved.

VX225TLRC 2004 / FUEL INJECTION NOZZLE



66X1010-2060
Rev. 4-12-2012

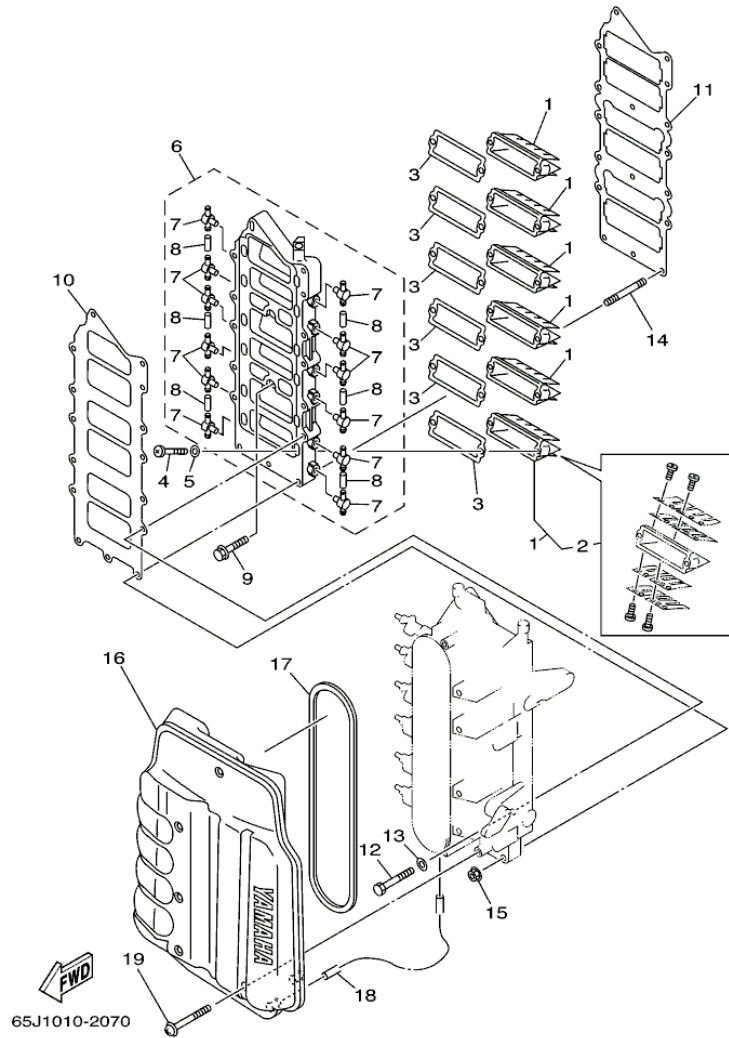
©2013 Yamaha Motor Corporation, U.S.A. All rights reserved.

Part List

VX225TLRC 2004 / FUEL INJECTION NOZZLE

REF - NO	PART NUMBER	PART NAME	QUANTITY	REMARKS
1	67H-13751-00-00	BODY, THROTTLE 1	1	
2	65L-14527-00-00	.PLATE	1	
3	65L-14565-00-00	.SCREW	1	
4	6K5-14592-00-00	.SCREW	6	
5	90201-05552-00	.WASHER, PLATE	6	
6	65L-14334-00-00	.SPRING, AIR ADJUSTING	1	
7	65L-14523-00-00	.SCREW, STOP	1	
8	65L-14578-00-00	.COLLAR	1	
9	67H-13938-00-00	PIPE	1	
10	67H-13898-00-00	.HOLDER	2	
11	65L-14565-00-00	.SCREW	2	
12	65L-13573-00-00	BOLT 1	4	
13	65L-13995-00-00	WASHER	4	
14	65L-13761-00-00	INJECTOR ASSY	6	
15	65L-13769-00-00	.O-RING	1	
16	65L-13764-00-00	.GASKET	1	
17	65L-13766-00-00	.RUBBER, INJECTOR	1	
18	61A-85885-00-00	THROTTLE SENSOR ASSY	1	
19	6K7-85886-00-00	BRACKET	1	
20	97985-05212-00	SCREW, WITH WASHER	2	
21	90387-05M00-00	COLLAR	3	
22	90480-10M23-00	GROMMET	3	
23	65L-14596-00-00	WASHER	3	
24	97985-05330-00	SCREW, WITH WASHER	3	
25	65L-14573-00-00	LEVER	1	
26	65L-14579-00-00	SPRING	1	
27	65L-13996-00-00	INSERT	2	
28	66K-13971-00-00	PIPE, FUEL 1	1	
29	65L-24387-00-00	.CLIP	2	
30	67H-13972-00-00	PIPE, FUEL 2	1	
31	65L-24387-00-00	.CLIP	2	
32	65L-41217-00-00	ROD, ACCEL. LEVER	1	
33	90464-04M12-00	CLAMP	1	

VX225TLRC 2004 / INTAKE



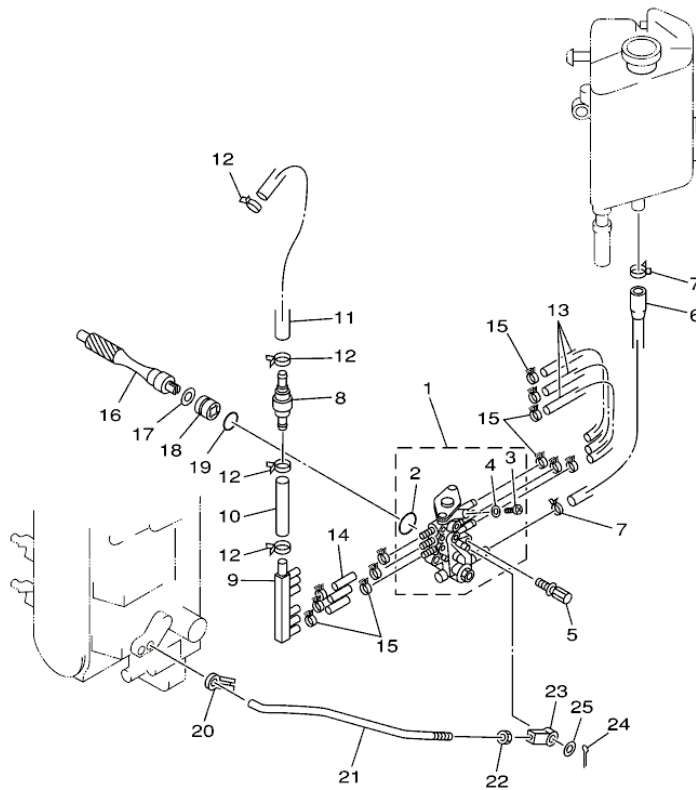
©2013 Yamaha Motor Corporation, U.S.A. All rights reserved.

Part List

VX225TLRC 2004 / INTAKE

REF - NO	PART NUMBER	PART NAME	QUANTITY	REMARKS
1	65L-13610-01-00	REED VALVE ASSY	6	
2	65J-W0004-01-00	.REED SET	1	
3	61A-13621-A0-00	.GASKET, VALVE SEAT	6	
4	97880-05016-00	SCREW, PAN HEAD	12	
5	92990-05600-00	WASHER, PLATE	12	
6	65L-13624-01-1S	PLATE, REED VALVE	1	
7	6F6-11372-01-00	.NIPPLE, HOSE	12	
8	90445-07M03-00	.HOSE (L34)	6	
9	90105-06028-00	BOLT, FLANGE	2	
10	65L-13646-00-00	.GASKET, MANIFOLD 2	1	
11	65L-13645-00-00	.GASKET, MANIFOLD 1	1	
12	97013-06060-00	BOLT	12	
13	92903-06600-00	WASHER, PLATE	12	
14	95670-06655-00	BOLT, STUD	2	
15	90179-06M24-00	NUT	2	
16	65L-14440-00-00	SILENCER ASSY, INTAKE	1	
17	65L-14483-00-00	.GASKET	1	
18	90445-07M44-00	HOSE (L250)	1	
19	90159-06M16-00	SCREW, WITH WASHER	6	

VX225TLRC 2004 / OIL PUMP



65J0010-7080


Part List

VX225TLRC 2004 / OIL PUMP

REF - NO	PART NUMBER	PART NAME	QUANTITY	REMARKS
1	65L-13200-00-00	OIL INJECTION PUMP ASSY	1	
2	93210-19M82-00	.O-RING	1	
3	6R3-13471-00-00	.PLUG, DRAIN	1	
4	6L2-13475-00-00	.GASKET	1	
5	90109-06M40-00	BOLT	2	
6	61A-13416-00-00	PIPE, OIL 1	1	
7	90465-11M10-00	CLAMP	2	
8	65L-13183-00-00	VALVE, CHECK	1	
9	65L-24378-00-00	PIPE, JOINT 4	1	
10	90445-09M25-00	HOSE (L600)	1	
11	90446-09M69-00	HOSE	1	
12	90465-11M10-00	CLAMP	4	
13	90445-07M02-00	HOSE (L167)	3	
14	90445-07M03-00	.HOSE (L34)	3	
15	90468-07M02-00	CLIP	12	
16	61A-11537-00-00	GEAR, DRIVEN	1	
17	90201-09M01-00	WASHER, PLATE	1	
18	61A-13117-00-00	COLLAR, DISTANCE	1	
19	93210-18MA9-00	.O-RING	1	
20	6R5-41237-00-00	JOINT, LINK	1	
21	65L-41241-10-00	ROD, LINK	1	
22	95380-05600-00	NUT	1	
23	6H1-41237-00-00	JOINT, LINK	1	
24	91490-12012-00	PIN. COTTER	1	
25	90202-05088-00	WASHER, PLATE	1	

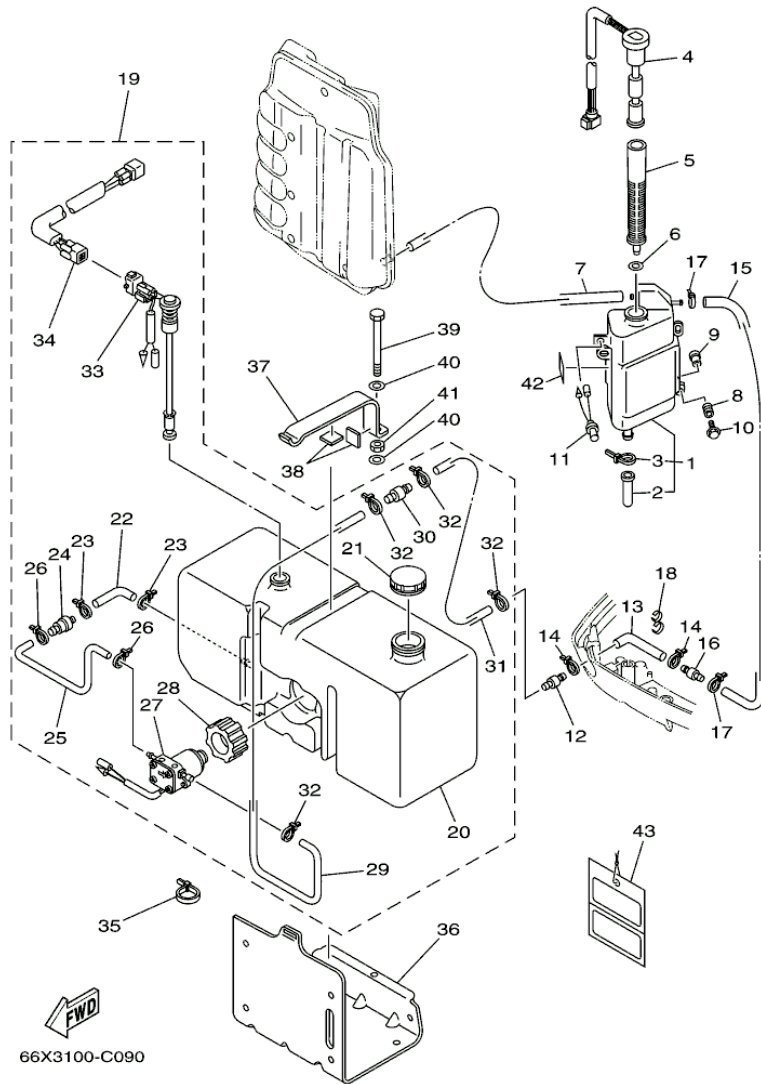
Part Notes

VX225TLRC 2004 / OIL PUMP

PART NUMBER	NOTE TEXT
6H1-41237-00-00 	OEM: This part number is among the Top 100 Most Popular Marine Maintenance Parts as of August 2013.

©2013 Yamaha Motor Corporation, U.S.A. All rights reserved.

VX225TLRC 2004 / OIL TANK



©2013 Yamaha Motor Corporation, U.S.A. All rights reserved.



Part List

VX225TLRC 2004 / OIL TANK

REF - NO	PART NUMBER	PART NAME	QUANTITY	REMARKS
1	61A-21750-00-00	OIL TANK ASSY	1	
2	6E5-13448-00-00	.CAP	1	
3	90465-13M11-00	.CLAMP	1	
4	61A-85730-01-00	OIL LEVEL GAUGE ASSY	1	
5	61A-13411-00-00	STRAINER, OIL	1	
6	6E5-13414-00-00	GASKET, STRAINER COVER	1	
7	90445-05M07-00	HOSE (L700)	1	
8	6A0-82317-00-00	DAMPER, IGNITION COIL	3	
9	624-42542-00-00	PIPE	3	
10	90119-06M65-00	BOLT, WITH WASHER	3	
11	6R3-8259E-00-00	SWITCH ASSY	1	
12	6E5-24379-00-00	PIPE, JOINT 4	1	
13	90445-12M04-00	HOSE (L1900)	1	
14	90465-11M10-00	CLAMP	2	
15	6E5-24323-00-00	PIPE 12	1	
16	6E5-24379-00-00	PIPE, JOINT 4	1	
17	90465-11M10-00	CLAMP	2	
18	90464-13M34-00	CLAMP	1	
19	61A-21708-10-00	OIL TANK SUB-ASSY	1	AP
20	6E5-21733-10-00	.SUB TANK, OIL (18L)	1	
21	6E5-21770-03-00	.OIL TANK CAP ASSY	1	
22	6E5-24322-10-00	.PIPE 11	1	
23	90465-11M10-00	.CLAMP	2	
24	646-24251-02-00	.STRAINER 1	1	
25	6E5-24319-10-00	.PIPE, OIL	1	
26	90465-11M10-00	.CLAMP	2	
27	6E5-81900-01-00	.OIL FEED PUMP ASSY	1	
28	6E5-81922-00-00	.GROMMET	1	
29	6E5-24321-01-00	.PIPE 10	1	
30	6E5-24379-00-00	.PIPE, JOINT 4	1	
31	90445-11M26-00	.HOSE (L6500)	1	
32	90465-11M10-00	.CLAMP	4	
33	6E5-85720-04-00	.OIL LEVEL GAUGE ASSY	1	
34	6R3-85721-80-00	.WIRE, LEAD (L=80M)	1	
35	90465-13M11-00	CLAMP	1	AP
36	6E5-21734-01-33	HOLDER, OIL SUB TANK	1	AP
37	6E5-21798-01-33	BRACKET, DAMPER	1	AP
38	6E5-21746-00-00	DAMPER	2	AP
39	97080-06100-00	BOLT	1	AP
40	92990-06600-00	WASHER, PLATE	2	AP
41	95380-06600-00	NUT, HEXAGON	1	AP
42	6E5-85711-40-00	MARK, CAUTION	1	
43	61H-2819R-31-00	TAG, WARNING	1	

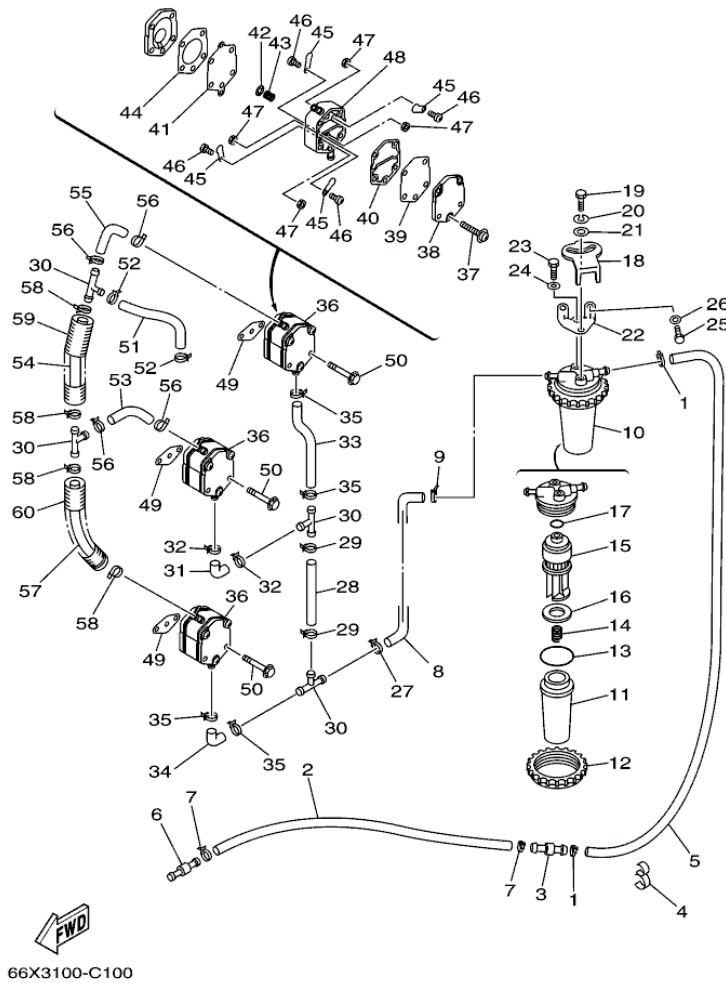
Part Notes

VX225TLRC 2004 / OIL TANK

PART NUMBER	NOTE TEXT
646-24251-02-00 	OEM: This part number is among the Top 100 Most Popular Marine Maintenance Parts as of August 2013.
92990-06600-00 	OEM: This part number is among the Top 100 Most Popular Marine Maintenance Parts as of August 2013.

©2013 Yamaha Motor Corporation, U.S.A. All rights reserved.

VX225TLRC 2004 / FUEL



©2013 Yamaha Motor Corporation, U.S.A. All rights reserved.

Part List






VX225TLRC 2004 / FUEL

REF - NO	PART NUMBER	PART NAME	QUANTITY	REMARKS
1	90465-11M10-00	CLAMP	2	
2	90445-13M17-00	HOSE (L2700)	1	
3	6R3-24377-00-00	PIPE, JOINT 2	1	
4	90464-13M34-00	CLAMP	2	
5	61A-24313-00-00	PIPE 3	1	
6	6R3-24377-10-00	PIPE, JOINT 2	1	
7	90465-11M10-00	CLAMP	2	
8	68F-24311-00-00	PIPE, FUEL 1	1	
9	90465-11M10-00	CLAMP	1	
10	65L-24560-00-00	FILTER ASSY	1	
11	61A-24521-00-00	.CUP, FILTER	1	
12	65L-24531-01-00	.NUT	1	
13	61A-24564-00-00	.O-RING	1	
14	65L-24577-00-00	.SPRING	1	
15	65L-24563-00-00	.ELEMENT, FILTER	1	
16	61A-24469-00-00	.FLOAT, WATER LEVEL	1	
17	65L-24564-00-00	.O-RING	1	
18	60H-24558-00-00	HOLDER, FILTER	1	
19	97095-06016-00	BOLT	1	
20	92995-06100-00	WASHER, SPRING	1	
21	90201-06068-00	WASHER, PLATE	1	
22	61A-24566-00-00	BRACKET, FILTER	1	
23	97095-06014-00	BOLT	1	
24	92990-06600-00	WASHER, PLATE	1	
25	97095-06016-00	BOLT	2	
26	92990-06600-00	WASHER, PLATE	2	
27	90465-11M10-00	CLAMP	1	
28	6G5-24317-01-00	PIPE 7	1	
29	90465-11M10-00	CLAMP	2	
30	6E5-24378-00-00	PIPE, JOINT 3	4	
31	6E5-24315-00-00	PIPE 5	1	
32	90465-11M10-00	CLAMP	2	
33	6G5-24315-00-00	PIPE 5	1	
34	6E5-24315-00-00	PIPE 5	1	
35	90465-11M10-00	CLAMP	4	
36	6E5-24410-03-00	FUEL PUMP ASSY	3	
37	6E5-24444-00-00	.SCREW	3	
38	6E5-24413-00-00	.BODY 2	1	
39	6E5-24471-00-00	.DIAPHRAGM	1	
40	6E5-24435-00-00	.GASKET, BODY 2	1	
41	6E5-24411-00-00	.DIAPHRAGM	1	
42	648-24424-00-00	.SEAT, SPRING	1	
43	6E5-24423-00-00	.SPRING, DIAPHRAGM	1	
44	6E5-24434-02-00	.GASKET, BODY	1	
45	6A0-24421-01-00	.VALVE, CHECK	4	
46	6A0-14325-00-00	.SCREW, PAN HEAD	4	
47	95380-03600-00	.NUT	4	
48	6E5-24412-10-00	.BODY 1	1	
49	650-24431-A0-00	GASKET, FUEL PUMP 1	3	
50	97595-06550-00	BOLT, WITH WASHER	6	
51	65L-24311-00-00	PIPE, FUEL 1	1	
52	90465-11M10-00	CLAMP	2	
53	6G5-24316-10-00	PIPE 6	1	

54	90445-13M14-00	HOSE (L70)	1	
55	61A-24311-00-00	PIPE, FUEL 1	1	
56	90465-11M10-00	CLAMP	4	
57	6E5-24313-00-00	PIPE 3	1	
58	90465-11M10-00	CLAMP	4	
59	6E9-83557-70-00	TUBE	1	
60	65L-83557-00-00	TUBE	1	

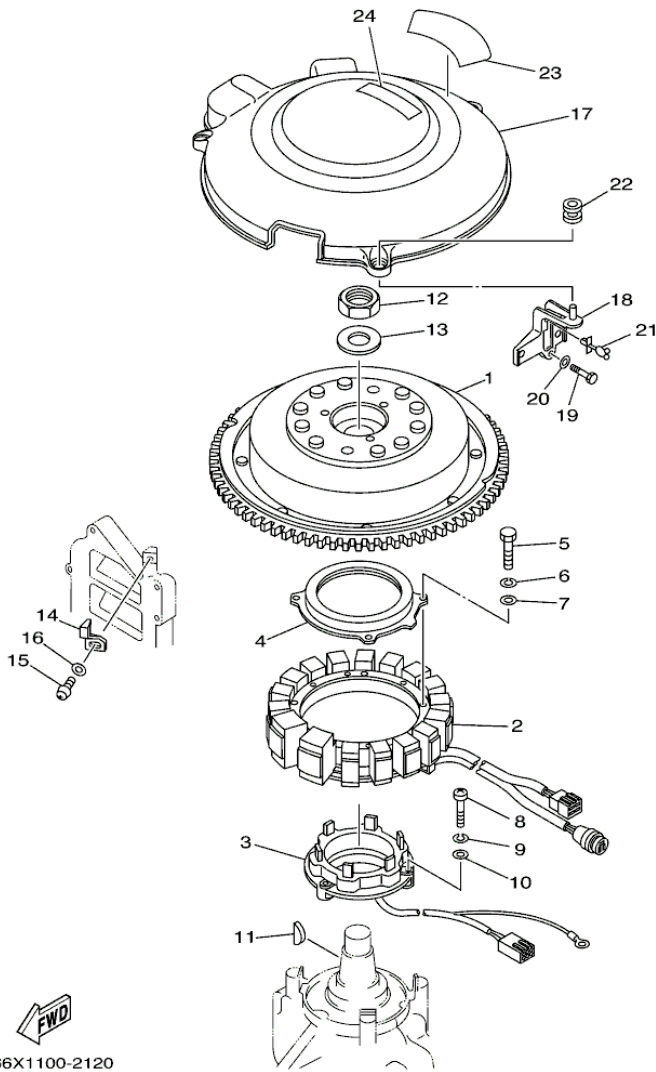
Part Notes

VX225TLRC 2004 / FUEL

PART NUMBER		NOTE TEXT
61A-24564-00-00		OEM: This part number is among the Top 100 Most Popular Marine Maintenance Parts as of August 2013.
65L-24563-00-00		OEM: This part number is among the Top 100 Most Popular Marine Maintenance Parts as of August 2013.
65L-24564-00-00		OEM: This part number is among the Top 100 Most Popular Marine Maintenance Parts as of August 2013.
92995-06100-00		OEM: This part number is among the Top 100 Most Popular Marine Maintenance Parts as of August 2013.
92990-06600-00		OEM: This part number is among the Top 100 Most Popular Marine Maintenance Parts as of August 2013.
92990-06600-00		OEM: This part number is among the Top 100 Most Popular Marine Maintenance Parts as of August 2013.
6E5-24410-03-00		OEM: This part number is among the Top 100 Most Popular Marine Maintenance Parts as of August 2013.
650-24431-A0-00		OEM: This part number is among the Top 100 Most Popular Marine Maintenance Parts as of August 2013.

©2013 Yamaha Motor Corporation, U.S.A. All rights reserved.

VX225TLRC 2004 / GENERATOR



©2013 Yamaha Motor Corporation, U.S.A. All rights reserved.


Part List

VX225TLRC 2004 / GENERATOR

REF - NO	PART NUMBER	PART NAME	QUANTITY	REMARKS
1	61A-85550-01-00	ROTOR ASSY	1	
2	65L-85510-10-00	STATOR ASSY	1	
3	61A-85580-01-00	COIL, PULSER	1	
4	61A-83721-00-00	COVER	1	
5	97013-06035-00	BOLT	4	
6	92903-06100-00	WASHER, SPRING	4	
7	92903-06600-00	WASHER, PLATE	4	
8	97885-05030-00	SCREW, PAN HEAD	3	
9	92995-05100-00	WASHER	3	
10	92995-05600-00	WASHER	3	
11	90280-05015-00	KEY, WOODRUFF	1	
12	90170-24M22-00	NUT	1	
13	90201-25M02-00	WASHER, PLATE	1	
14	6E5-81332-00-00	PLATE, TIMING	1	
15	97885-06010-00	SCREW, PAN HEAD	1	
16	92990-06600-00	WASHER, PLATE	1	
17	61A-81337-01-00	COVER, FLYWHEEL	1	
18	65L-81338-00-1S	CLAMP, LEAD	1	
19	97013-06025-00	BOLT	1	
20	92903-06600-00	WASHER, PLATE	1	
21	90464-18M46-00	CLAMP	1	
22	663-82317-01-00	DAMPER, IGNITION COIL	3	
23	65L-14488-00-00	LABEL, CAUTION	1	
24	6A1-83625-41-00	MARK 5	1	

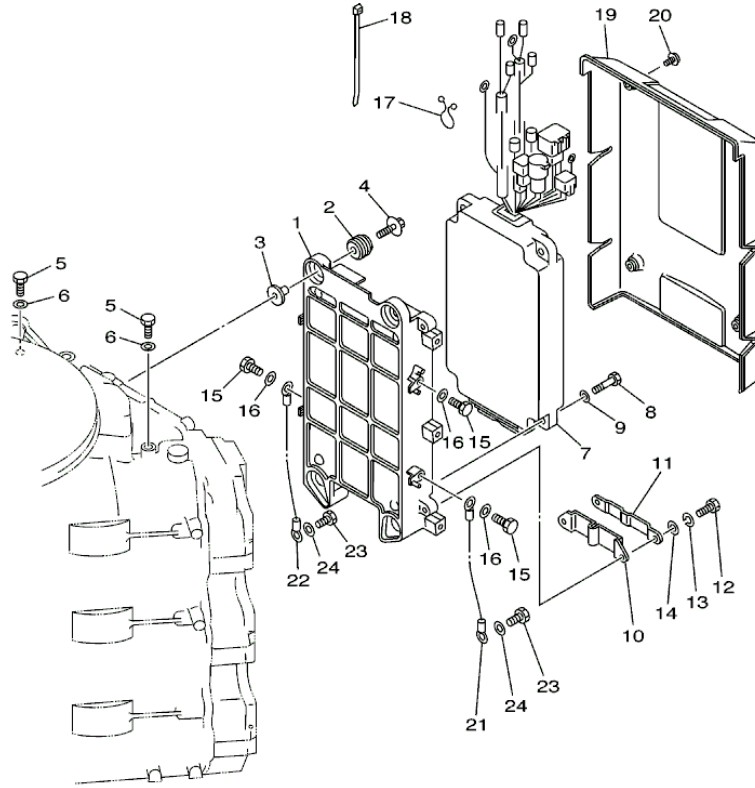
Part Notes

VX225TLRC 2004 / GENERATOR

PART NUMBER	NOTE TEXT
92990-06600-00 	OEM: This part number is among the Top 100 Most Popular Marine Maintenance Parts as of August 2013.

©2013 Yamaha Motor Corporation, U.S.A. All rights reserved.

VX225TLRC 2004 / ELECTRICAL 1



65J0010-9121





Part List

VX225TLRC 2004 / ELECTRICAL 1

REF - NO	PART NUMBER	PART NAME	QUANTITY	REMARKS
1	61A-85542-01-94	BRACKET	1	
2	90480-09M12-00	GROMMET	4	
3	90387-06M03-00	COLLAR	4	
4	90119-06M28-00	BOLT, WITH WASHER	4	
5	97014-06016-00	BOLT	2	
6	92903-06600-00	WASHER, PLATE	2	
7	66K-85540-01-00	C.D.I. UNIT ASSY	1	
7	66X-85540-01-00	C.D.I. UNIT ASSY	1	
8	97013-06025-00	BOLT	4	
9	92990-06600-00	WASHER, PLATE	4	
10	61A-85548-00-00	HOLDER	1	
11	61A-85525-00-00	COVER	1	
12	97095-06016-00	BOLT	2	
13	92995-06100-00	WASHER, SPRING	2	
14	92990-06600-00	WASHER, PLATE	2	
15	97013-06014-00	BOLT	4	
16	92903-06600-00	WASHER, PLATE	4	
17	90464-15M11-00	CLAMP	1	
18	90465-11M52-00	CLAMP	1	
19	61A-85537-00-00	COVER	1	
20	90159-06M03-00	SCREW, WITH WASHER	4	
21	61A-82519-00-00	WIRE, EARTH LEAD	1	
22	6G0-82519-00-00	WIRE, EARTH LEAD	1	
23	97095-06012-00	BOLT	2	
24	92990-06600-00	WASHER, PLATE	2	

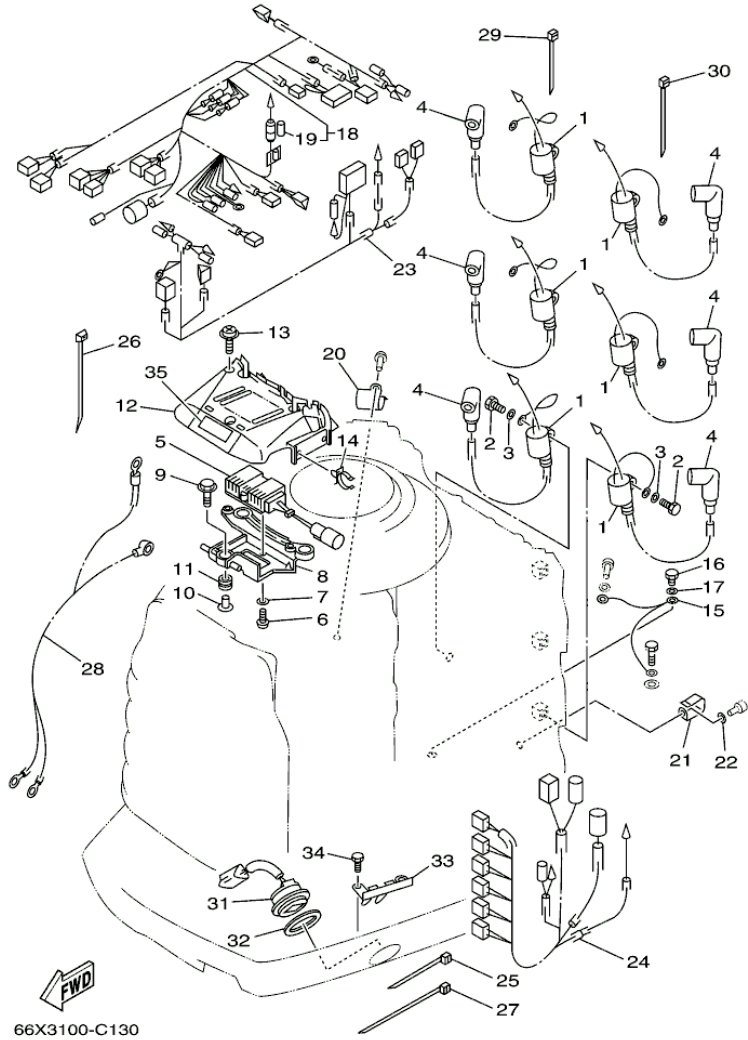
Part Notes

VX225TLRC 2004 / ELECTRICAL 1

PART NUMBER	NOTE TEXT
92990-06600-00 	OEM: This part number is among the Top 100 Most Popular Marine Maintenance Parts as of August 2013.
92995-06100-00 	OEM: This part number is among the Top 100 Most Popular Marine Maintenance Parts as of August 2013.
92990-06600-00 	OEM: This part number is among the Top 100 Most Popular Marine Maintenance Parts as of August 2013.
92990-06600-00 	OEM: This part number is among the Top 100 Most Popular Marine Maintenance Parts as of August 2013.

©2013 Yamaha Motor Corporation, U.S.A. All rights reserved.

VX225TLRC 2004 / ELECTRICAL 2



©2013 Yamaha Motor Corporation, U.S.A. All rights reserved.



Part List

VX225TLRC 2004 / ELECTRICAL 2

REF - NO	PART NUMBER	PART NAME	QUANTITY	REMARKS
1	61A-85570-00-00	IGNITION COIL ASSY	6	
2	97013-06020-00	BOLT	6	
3	92903-06600-00	WASHER, PLATE	6	
4	6E3-82370-21-00	PLUG CAP ASSY	6	
5	65L-85370-00-00	RESISTOR ASSY	1	
6	97885-05010-00	.SCREW, PAN HEAD	2	
7	92995-05600-00	WASHER	2	
8	65L-81915-00-94	PLATE, REGULATOR FITTING	1	
9	90119-06M65-00	BOLT, WITH WASHER	3	
10	90387-06M60-00	COLLAR	3	
11	90480-10M23-00	GROMMET	3	
12	65L-81916-00-00	COVER, TERMINAL	1	
13	90159-06M03-00	SCREW, WITH WASHER	2	
14	90464-19M45-00	CLAMP	2	
15	61A-82531-00-00	WIRE, LEAD	1	
16	97095-06012-00	BOLT	1	
17	92990-06600-00	WASHER, PLATE	1	
18	66K-82590-20-00	WIRE HARNESS ASSY	1	
19	705-82151-00-00	.FUSE (30A)	1	
20	90465-08M89-00	CLAMP	1	
21	90465-05M87-00	CLAMP	1	
22	92990-06600-00	WASHER, PLATE	1	
23	65L-8259M-00-00	WIRE HARNESS ASSY 2	1	
24	65L-8259N-01-00	WIRE HARNESS ASSY 3	1	
25	90465-11M10-00	CLAMP	1	
26	90465-11M52-00	CLAMP	1	
27	90465-13M39-00	CLAMP	1	
28	66K-82105-00-00	WIRE HARNESS	1	
29	90465-13M39-00	CLAMP	1	
30	90465-13M18-00	CLAMP	1	
31	61A-82563-00-00	TRIM & TILT SWITCH ASSY	1	
32	6E5-82587-00-00	GASKET	1	
33	61A-83614-00-00	BRACKET	1	
34	97095-06012-00	BOLT	2	
35	65L-83625-40-00	MARK 5	1	

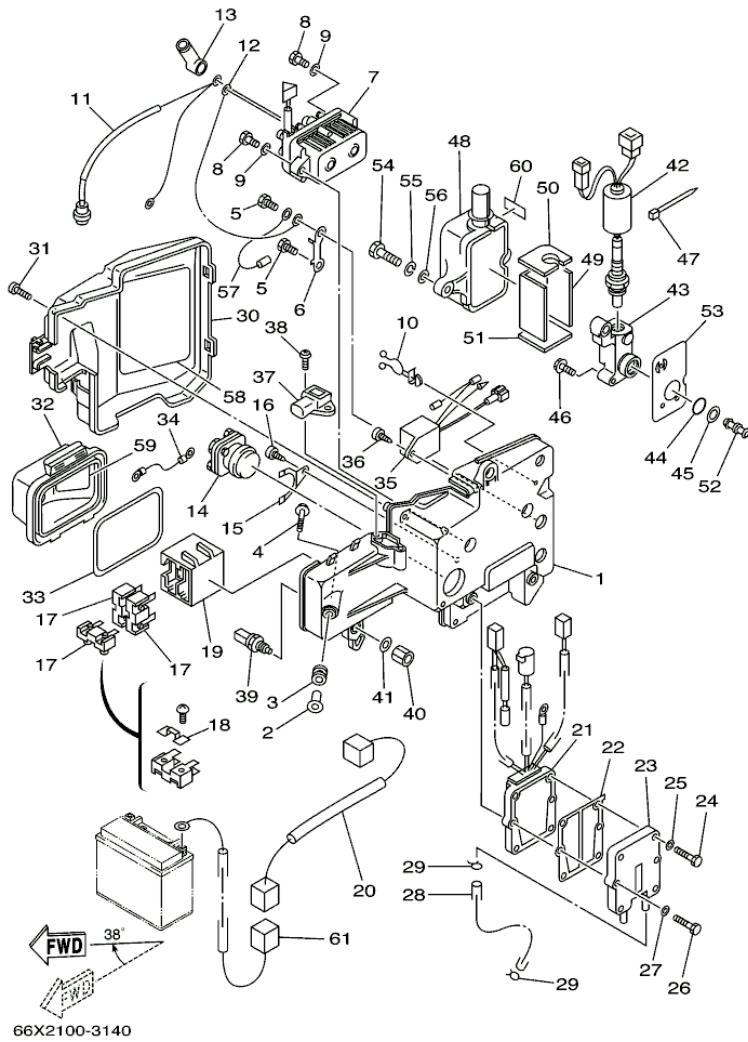
Part Notes

VX225TLRC 2004 / ELECTRICAL 2

PART NUMBER	NOTE TEXT
92990-06600-00 	OEM: This part number is among the Top 100 Most Popular Marine Maintenance Parts as of August 2013.
92990-06600-00 	OEM: This part number is among the Top 100 Most Popular Marine Maintenance Parts as of August 2013.

©2013 Yamaha Motor Corporation, U.S.A. All rights reserved.

VX225TLRC 2004 / ELECTRICAL 3



©2013 Yamaha Motor Corporation, U.S.A. All rights reserved.

Part List






VX225TLRC 2004 / ELECTRICAL 3

REF - NO	PART NUMBER	PART NAME	QUANTITY	REMARKS
1	65L-81948-00-00	BRACKET	1	
2	624-42542-00-00	PIPE	5	
3	6A0-82317-00-00	DAMPER, IGNITION COIL	5	
4	90119-06M65-00	BOLT, WITH WASHER	5	
5	97013-06014-00	BOLT	2	
6	61A-87149-00-00	CONNECTOR	1	
7	61A-81950-00-00	RELAY ASSY	1	
8	97080-06030-00	BOLT	2	
9	92990-06600-00	WASHER, PLATE	2	
10	90464-18M46-00	CLAMP	1	
11	61A-81949-10-00	WIRE, LEAD	1	
12	61A-81949-00-00	WIRE, LEAD	1	
13	6G5-82119-00-00	COVER, LEAD WIRE	1	
14	61A-81941-00-00	STARTER RELAY ASSY	1	
15	61A-81952-00-00	HOLDER, RELAY	1	
16	97780-50612-00	SCREW, TAPPING	1	
17	61A-82150-00-00	FUSE HOLDER ASSY	3	
18	61A-82151-00-00	.FUSE (12V-80A)	1	
19	61A-82153-00-00	STAY, FUSE HOLDER	1	
20	66K-81949-10-00	WIRE, LEAD	1	
21	61A-81960-02-00	RECTIFIER & REGULATOR ASSY	1	
22	69J-81975-A0-00	PLATE, RECTIFIER FITTING	1	
23	69J-81972-01-1S	COVER, RECTIFIER	1	
24	97013-06025-00	BOLT	4	
25	92990-06600-00	WASHER, PLATE	4	
26	97013-06030-00	BOLT	2	
27	92990-06600-00	WASHER, PLATE	2	
28	90445-09224-00	HOSE (L270)	1	
29	90467-08004-00	CLIP	2	
30	65L-81942-00-00	COVER	1	
31	90169-05M00-00	SCREW, TRUSS HEAD TAPPING	2	
32	61A-82154-01-00	CASE	1	
33	61A-82176-00-00	DAMPER	1	
34	61A-82117-00-00	WIRE, LEAD	1	
35	65L-81950-01-00	RELAY ASSY	1	
36	97780-60625-00	SCREW, TAPPING	1	
37	67H-82380-00-00	SENSOR, PRESSURE	1	
38	97780-60625-00	SCREW, TAPPING	2	
39	65L-85886-00-00	THERMOSENSOR	1	
40	90170-12M36-00	NUT	1	
41	90201-12M34-00	.WASHER, PLATE	1	
42	65L-8592A-01-00	SENSOR	1	
43	69L-11395-00-00	HOLDER	1	
44	93210-17003-00	O-RING	1	
45	69L-11397-00-00	GASKET	1	
46	90119-06M74-00	BOLT, WITH WASHER	3	
47	90465-13M18-00	CLAMP	1	
48	65L-85832-00-00	CASE, UNDER	1	
49	65L-11354-00-00	GASKET	1	
50	65L-1131N-00-00	GASKET, HOLDER	1	
51	65L-11396-00-00	GASKET, HOLDER	1	
52	65L-11353-11-00	JOINT	1	

53	69L-11357-00-00	SEAL, CYLINDER 3	1	
54	97095-06030-00	BOLT	2	
55	92995-06100-00	WASHER, SPRING	2	
56	92990-06600-00	WASHER, PLATE	2	
57	66K-82519-00-00	WIRE, EARTH LEAD	1	
58	65L-81919-00-00	GRAPHIC, REGULATOR	1	
59	61A-81919-00-00	GRAPHIC, REGULATOR	1	
60	65L-83625-40-00	MARK 5	1	
61	68F-81949-00-00	WIRE, LEAD (ISOLATOR CABLE)	1	AP

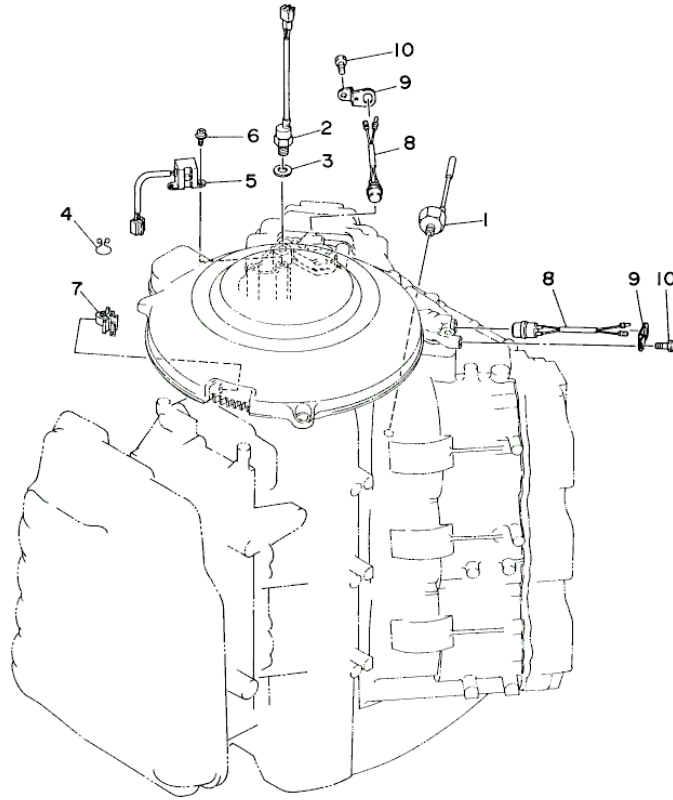
Part Notes

VX225TLRC 2004 / ELECTRICAL 3

PART NUMBER		NOTE TEXT
92990-06600-00		OEM: This part number is among the Top 100 Most Popular Marine Maintenance Parts as of August 2013.
92990-06600-00		OEM: This part number is among the Top 100 Most Popular Marine Maintenance Parts as of August 2013.
92990-06600-00		OEM: This part number is among the Top 100 Most Popular Marine Maintenance Parts as of August 2013.
92995-06100-00		OEM: This part number is among the Top 100 Most Popular Marine Maintenance Parts as of August 2013.
92990-06600-00		OEM: This part number is among the Top 100 Most Popular Marine Maintenance Parts as of August 2013.

©2013 Yamaha Motor Corporation, U.S.A. All rights reserved.

VX225TLRC 2004 / ELECTRICAL 4



65J0010-7150

©2013 Yamaha Motor Corporation, U.S.A. All rights reserved.


Part List

VX225TLRC 2004 / ELECTRICAL 4

REF - NO	PART NUMBER	PART NAME	QUANTITY	REMARKS
1	61A-85780-00-00	SENSOR, KNOCK	1	
2	61A-85790-00-00	THERMOSENSOR ASSY	1	
3	92990-10600-00	WASHER, PLATE	1	
4	90464-12M48-00	CLAMP	1	
5	61A-85895-00-00	CRANK POSITION SENDER	1	
6	97885-05012-00	SCREW, PAN HEAD	2	
7	90464-09M47-00	CLAMP	1	
8	61A-82560-10-00	THERMO SWITCH ASSY	2	
9	61A-8252U-00-00	COVER	2	
10	97080-06012-00	BOLT	2	

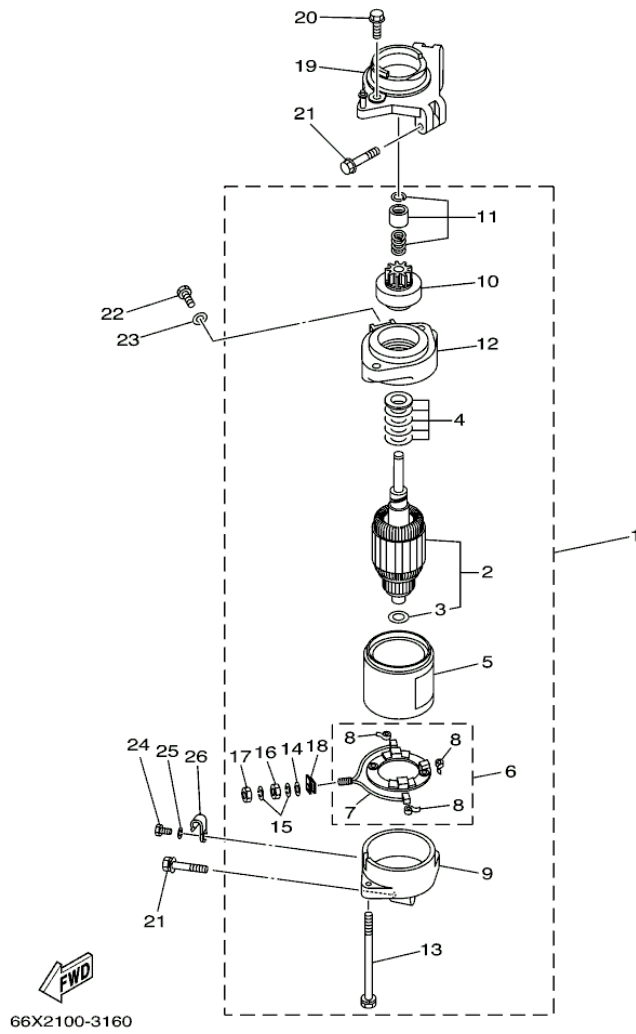
Part Notes

VX225TLRC 2004 / ELECTRICAL 4

PART NUMBER	NOTE TEXT
92990-10600-00 	OEM: This part number is among the Top 100 Most Popular Marine Maintenance Parts as of August 2013.

©2013 Yamaha Motor Corporation, U.S.A. All rights reserved.

VX225TLRC 2004 / STARTING MOTOR



©2013 Yamaha Motor Corporation, U.S.A. All rights reserved.


Part List

VX225TLRC 2004 / STARTING MOTOR

REF - NO	PART NUMBER	PART NAME	QUANTITY	REMARKS
1	69L-81800-00-00	STARTING MOTOR ASSY	1	
2	61A-81850-01-00	.ARMATURE ASSY	1	
3	61A-81824-00-00	.WASHER 2	1	
4	61A-81809-00-00	.WASHER KIT	1	
5	6K7-81810-00-00	.STATOR ASSY	1	
6	61A-81840-00-00	.BRUSH HOLDER ASSY	1	
7	6K7-81801-10-00	..BRUSH SET	1	
8	6E5-81813-10-00	..SPRING, BRUSH	3	
9	61A-81820-00-00	.REAR BRACKET ASSY	1	
10	61A-81807-00-00	.GEAR ASSY, STARTING MOTOR	1	
11	61H-81857-00-00	.RETAINER	1	
12	61A-81830-00-00	.FRONT BRACKET ASSY	1	
13	6K7-81826-10-00	.BOLT	2	
14	6E5-8182E-10-00	.WASHER	1	
15	6E5-8182F-10-00	.WASHER	2	
16	6E5-8182A-10-00	.NUT	1	
17	6E5-8182K-10-00	.NUT	1	
18	6K7-8182G-10-00	.BUSH, TERMINAL	1	
19	61A-81822-00-94	BRACKET, STARTING MOTOR	1	
20	90119-08M76-00	BOLT, WITH WASHER	2	
21	90119-08M77-00	BOLT, WITH WASHER	3	
22	97095-08016-00	BOLT	1	
23	92990-08600-00	.WASHER, PLATE	1	
24	97095-06012-00	BOLT	1	
25	92990-06600-00	WASHER, PLATE	1	
26	90465-06M86-00	CLAMP	1	

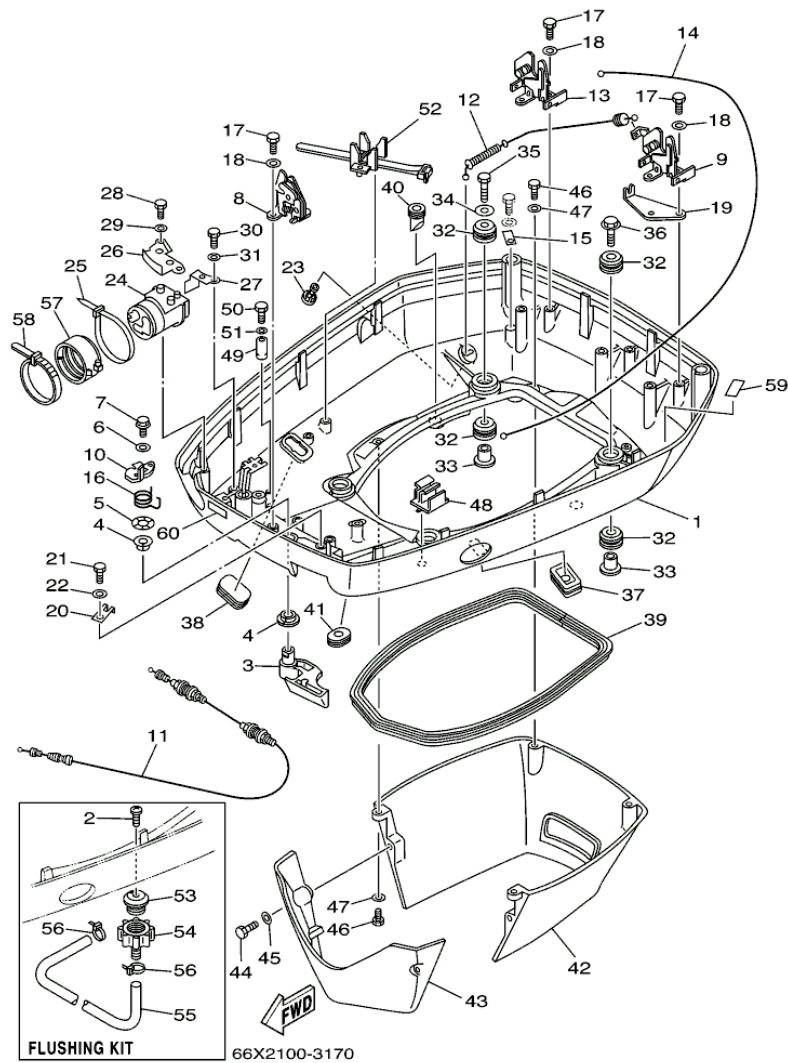
Part Notes

VX225TLRC 2004 / STARTING MOTOR

PART NUMBER	NOTE TEXT
92990-06600-00 	OEM: This part number is among the Top 100 Most Popular Marine Maintenance Parts as of August 2013.

©2013 Yamaha Motor Corporation, U.S.A. All rights reserved.

VX225TLRC 2004 / BOTTOM COWLING



©2013 Yamaha Motor Corporation, U.S.A. All rights reserved.

Part List






VX225TLRC 2004 / BOTTOM COWLING

REF - NO	PART NUMBER	PART NAME	QUANTITY	REMARKS
1	61A-42711-05-8D	COWLING, BOTTOM	1	
2	90169-05M00-00	SCREW, TRUSS HEAD TAPPING	1	FLUSHING KIT
3	61A-42815-01-8D	LEVER, CLAMP	1	
4	90386-13M88-00	BUSH	2	
5	90206-13M10-00	WASHER, WAVE	1	
6	90201-06M30-00	WASHER, PLATE	1	
7	90109-06M50-00	BOLT	1	
8	6R3-42824-00-00	BASE, CLAMP LEVER	1	
9	6R3-42811-01-00	STAY	1	
10	6R3-42816-00-00	LEVER, CLAMP	1	
11	6R3-42850-10-00	WIRE COMPLETE	1	
12	61A-42850-01-00	WIRE COMPLETE	1	
13	6R3-42811-10-00	STAY	1	
14	61A-42850-20-00	WIRE COMPLETE	1	
15	682-44117-00-00	BRACKET	1	
16	6R3-42813-00-00	SPRING, CLAMP LEVER	1	
17	97095-06016-00	BOLT	6	
18	92995-06600-00	WASHER	6	
19	6N7-42828-00-00	PLATE, CLAMP	1	
20	6R3-42828-00-00	PLATE, CLAMP	1	
21	97095-06010-00	BOLT	1	
22	92995-06600-00	WASHER	1	
23	6E5-44391-00-00	NIPPLE, HOSE	1	
24	61A-42725-31-00	GROMMET	1	
25	90465-13M39-00	CLAMP	1	
26	61A-42738-02-5B	PLATE, FITTING	1	
27	64D-42738-10-5B	PLATE, FITTING	1	
28	97095-06016-00	BOLT	2	
29	92990-06600-00	WASHER, PLATE	2	
30	97080-06012-00	BOLT	1	
31	92990-06600-00	WASHER, PLATE	1	
32	90480-22M81-00	GROMMET	8	
33	90387-08M37-00	COLLAR	4	
34	90201-08M54-00	WASHER, PLATE	1	
35	92095-08035-00	BOLT	1	
36	90119-08M22-00	BOLT, WITH WASHER	3	
37	688-42726-10-00	GROMMET	1	
38	6H4-42726-00-00	GROMMET	1	
39	61A-42716-00-00	RUBBER, SEAL 1	1	
40	61A-42717-00-00	RUBBER, SEAL 2	4	
41	61A-42727-00-00	GROMMET	1	
42	61A-42741-01-8D	APRON	1	
43	61A-42771-01-8D	APRON	1	
44	97095-06030-00	BOLT	2	
45	92990-06600-00	WASHER, PLATE	2	
46	97095-06020-00	BOLT	4	
47	92990-06600-00	WASHER, PLATE	4	
48	6E5-82594-00-00	CLAMP	1	
49	6E5-82588-00-00	PLATE	1	
50	97095-06020-00	BOLT	1	
51	92990-06600-00	WASHER, PLATE	1	
52	688-82594-00-00	CLAMP	1	
53	6R3-12572-00-00	.ADAPTER	1	FLUSHING KIT

54	6R3-12580-00-00	.JOINT ASSY	1	FLUSHING KIT
55	90445-11M36-00	HOSE (L: 620)	1	FLUSHING KIT
56	90465-11M10-00	CLAMP	2	FLUSHING KIT
57	68F-42753-00-00	FASTNER	1	
58	90464-20258-00	CLAMP	1	
59	6G5-42791-10-00	MARK 1	1	
59	6K7-42791-00-00	MARK 1	1	
60	65L-2415E-40-00	LABEL, CAUTION	1	

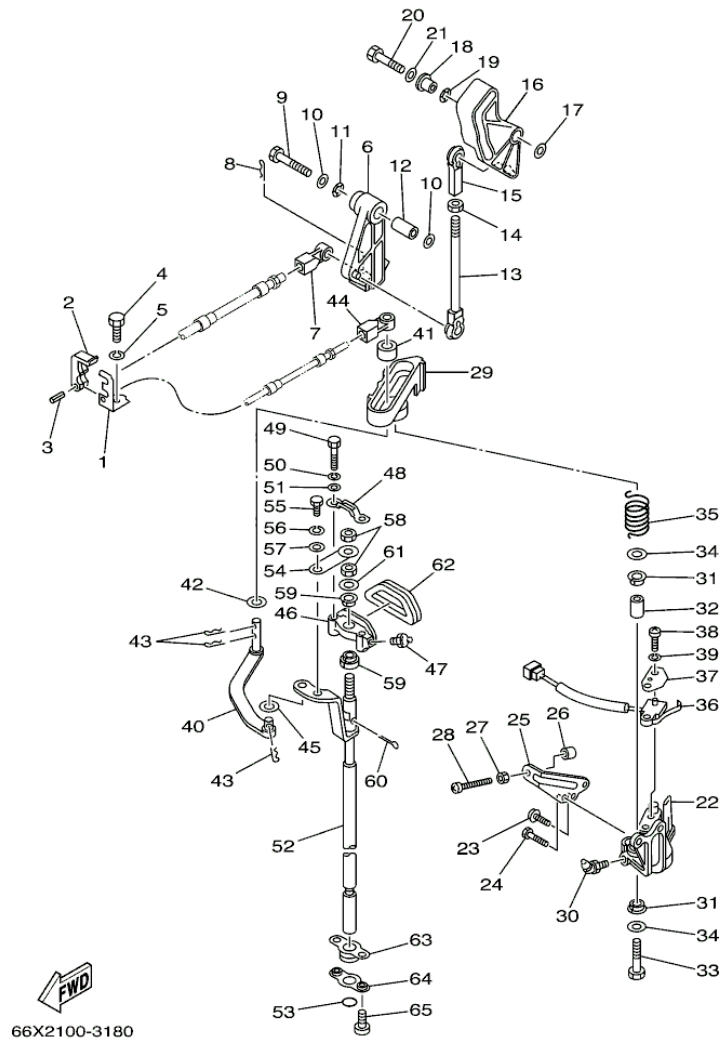
Part Notes

VX225TLRC 2004 / BOTTOM COWLING

PART NUMBER		NOTE TEXT
92990-06600-00		OEM: This part number is among the Top 100 Most Popular Marine Maintenance Parts as of August 2013.
92990-06600-00		OEM: This part number is among the Top 100 Most Popular Marine Maintenance Parts as of August 2013.
92990-06600-00		OEM: This part number is among the Top 100 Most Popular Marine Maintenance Parts as of August 2013.
92990-06600-00		OEM: This part number is among the Top 100 Most Popular Marine Maintenance Parts as of August 2013.
92990-06600-00		OEM: This part number is among the Top 100 Most Popular Marine Maintenance Parts as of August 2013.

©2013 Yamaha Motor Corporation, U.S.A. All rights reserved.

VX225TLRC 2004 / CONTROL



©2013 Yamaha Motor Corporation, U.S.A. All rights reserved.

Part List






VX225TLRC 2004 / CONTROL

REF - NO	PART NUMBER	PART NAME	QUANTITY	REMARKS
1	65L-48531-00-00	BRACKET, REMOTE CONTROL 1	1	
2	663-48538-00-00	CLAMP, CABLE 1	1	
3	91690-30010-00	PIN, SPRING	1	
4	97095-08020-00	BOLT	1	
5	92995-08100-00	WASHER	1	
6	65L-41632-01-00	LEVER, MAGNETO CONTROL	1	
7	6E5-48344-00-00	CABLE END, REMOTE CONTROL	1	
8	90468-18008-00	CLIP	1	
9	97013-08045-00	BOLT	1	
10	92990-08200-00	WASHER, PLAIN	2	
11	90206-12M00-00	WASHER, WAVE	1	
12	90387-08M16-00	COLLAR	1	
13	61A-41237-00-00	JOINT, LINK	1	
14	95380-05600-00	NUT	1	
15	682-41237-00-00	JOINT, LINK	1	
16	66K-41213-00-00	CAM, ACCEL.	1	
17	90201-06M31-00	WASHER, PLATE	1	
18	90387-06M29-00	COLLAR	1	
19	90206-10M04-00	WASHER, WAVE	1	
20	97013-06030-00	BOLT	1	
21	92903-06600-00	WASHER, PLATE	1	
22	61A-44117-01-1S	BRACKET	1	
23	90159-05M25-00	.SCREW, WITH WASHER	1	
24	97095-06020-00	BOLT	2	
25	69L-42744-00-00	STAY	1	
26	688-44194-00-00	CAP	1	
27	95380-06600-00	NUT, HEXAGON	1	
28	90157-06M11-00	SCREW, PAN HEAD	1	
29	61A-44176-00-1S	BRACKET	1	
30	93700-06M01-00	NIPPLE, GREASE	1	
31	90386-12069-00	BUSH	2	
32	90387-08M09-00	COLLAR	1	
33	97095-08035-00	BOLT	1	
34	92995-08200-00	WASHER	2	
35	90508-20M31-00	SPRING, TORSION	1	
36	61A-8259F-00-00	SWITCH ASSY	1	
37	61A-82588-01-00	PLATE	1	
38	97885-04016-00	SCREW, PAN HEAD	2	
39	92990-04100-00	.WASHER, SPRING	2	
40	61A-44121-00-00	LEVER, SHIFT ROD	1	
41	6E5-44122-00-00	BUSHING, SHIFT ROD LEVER	1	
42	90202-08M20-00	WASHER, PLATE	1	
43	90468-18008-00	CLIP	3	
44	6E5-48344-00-00	CABLE END, REMOTE CONTROL	1	
45	90202-06007-00	WASHER, PLATE	1	
46	61A-44118-00-8D	BRACKET	1	
47	93700-06M03-00	NIPPLE, GREASE	1	
48	61A-44116-00-00	SPRING	1	
49	97080-06030-00	BOLT	2	
50	92995-06100-00	WASHER, SPRING	2	
51	92990-06600-00	WASHER, PLATE	2	

52	66K-44120-00-00	HANDLE GEAR SHIFT ASSY	1	
53	93210-09165-00	O-RING	1	
54	61A-44112-00-00	STAY, HANDLE GEAR SHIFT	1	
55	97013-06012-00	BOLT	1	
56	92995-06100-00	WASHER, SPRING	1	
57	92990-06600-00	WASHER, PLATE	1	
58	95313-08600-00	NUT	2	
59	90386-90M90-00	BUSH	2	
60	91490-20012-00	PIN. COTTER	1	
61	90201-09M02-00	WASHER, PLATE	1	
62	61A-15315-00-00	SEAL, CRANKCASE	1	
63	61A-42724-00-00	GROMMET	1	
64	61A-44138-00-00	WASHER	1	
65	97885-06008-00	SCREW, PAN HEAD	2	

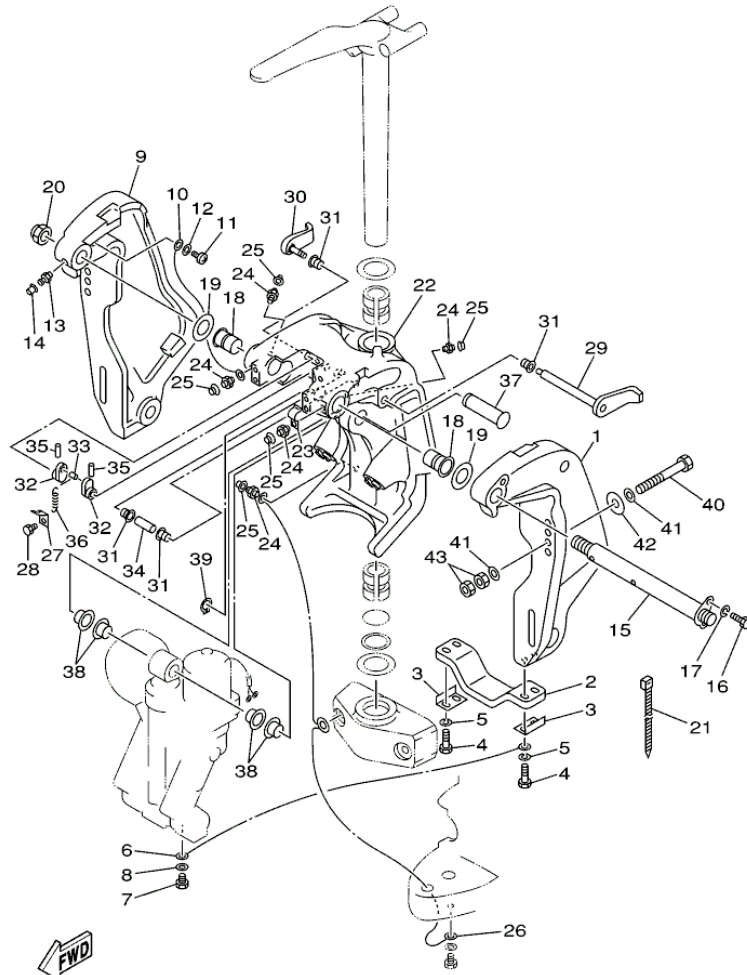
Part Notes

VX225TLRC 2004 / CONTROL

PART NUMBER		NOTE TEXT
93700-06M03-00		OEM: This part number is among the Top 100 Most Popular Marine Maintenance Parts as of August 2013.
92995-06100-00		OEM: This part number is among the Top 100 Most Popular Marine Maintenance Parts as of August 2013.
92990-06600-00		OEM: This part number is among the Top 100 Most Popular Marine Maintenance Parts as of August 2013.
92995-06100-00		OEM: This part number is among the Top 100 Most Popular Marine Maintenance Parts as of August 2013.
92990-06600-00		OEM: This part number is among the Top 100 Most Popular Marine Maintenance Parts as of August 2013.

©2013 Yamaha Motor Corporation, U.S.A. All rights reserved.

VX225TLRC 2004 / BRACKET 1



66X0100-8200

©2013 Yamaha Motor Corporation, U.S.A. All rights reserved.




Part List



VX225TLRC 2004 / BRACKET 1

REF - NO	PART NUMBER	PART NAME	QUANTITY	REMARKS
1	64E-43111-02-8D	BRACKET, CLAMP 1	1	
2	6G5-45251-02-00	ANODE	1	
3	6G5-44526-00-00	PLATE	2	
4	97080-06030-00	BOLT	4	
5	92990-06100-00	WASHER, SPRING	4	
6	6E5-82148-00-00	WIRE, LEAD 4	1	
7	97095-06010-00	BOLT	1	
8	92990-06600-00	WASHER, PLATE	1	
9	64E-43112-02-8D	BRACKET, CLAMP 2	1	
10	6E5-82148-00-00	WIRE, LEAD 4	1	
11	97880-06012-00	SCREW, PAN HEAD	1	
12	92990-06600-00	WASHER, PLATE	1	
13	93700-06M03-00	NIPPLE, GREASE	1	
14	663-45119-00-00	CAP, GREASE NIPPLE	1	AP
15	64E-43131-01-00	BOLT, CLAMP BRACKET	1	
16	97095-08020-00	BOLT	1	
17	92990-08100-00	WASHER, SPRING	1	
18	90386-25M31-00	BUSH	2	
19	90201-26M59-00	WASHER, PLATE	2	
20	90185-22M11-00	NUT, SELF-LOCKING	1	
21	90465-11M10-00	CLAMP	1	
22	64E-43311-10-8D	BRACKET, SWIVEL 1	1	
23	90465-08M63-00	CLAMP	1	
24	93700-06M03-00	NIPPLE, GREASE	5	
25	663-45119-00-00	CAP, GREASE NIPPLE	5	AP
26	66K-82149-00-00	WIRE, LEAD 3	1	
27	6G5-43144-00-00	HOOK, SPRING	1	
28	97095-06010-00	BOLT	1	
29	6G5-43181-02-00	LEVER, TILT STOP 1	1	
30	6G5-43185-02-00	LEVER, TILT STOP 2	1	
31	90386-10M16-00	BUSH	4	
32	6G5-43148-00-00	COLLAR, DISTANCE	2	
33	90249-06M19-00	PIN	1	
34	90387-10M05-00	COLLAR	1	
35	91690-30020-00	PIN, SPRING	2	
36	90506-14M24-00	SPRING, TENSION	1	
37	64E-43126-00-00	PIN, UPPER SHOCK MOUNT	1	
38	90386-22M98-00	BUSH	4	
39	93410-22M11-00	CIRCLIP	1	
40	90101-12M05-00	BOLT (L:130MM)	4	
41	90201-13M01-00	WASHER, PLATE	8	
42	90201-12M05-00	WASHER, PLATE	4	
43	95380-12600-00	NUT	8	

Part Notes

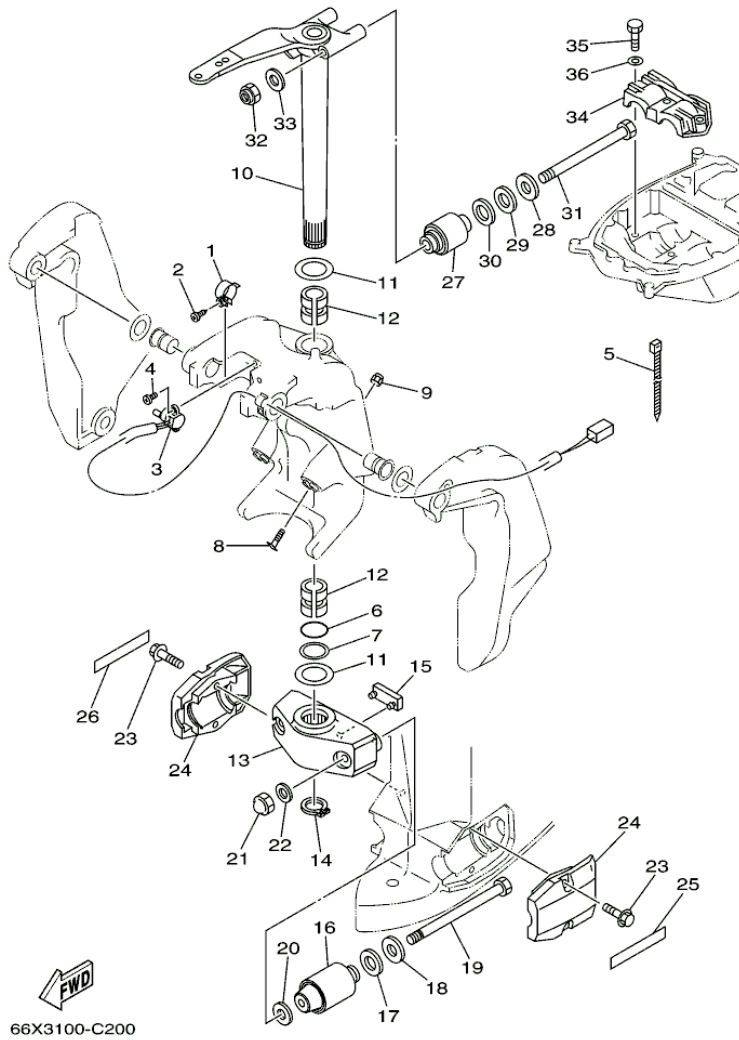
VX225TLRC 2004 / BRACKET 1

PART NUMBER	NOTE TEXT
6G5-45251-02-00 	OEM: This part number is among the Top 100 Most Popular Marine Maintenance Parts as of August 2013.
92990-06600-00 	OEM: This part number is among the Top 100 Most Popular Marine Maintenance Parts as of August 2013.
92990-06600-00 	OEM: This part number is among the Top 100 Most Popular Marine Maintenance Parts as of August 2013.
93700-06M03-00	OEM: This part number is among the Top 100 Most Popular Marine Maintenance Parts as of August 2013.

		
93700-06M03-00		OEM: This part number is among the Top 100 Most Popular Marine Maintenance Parts as of August 2013.

©2013 Yamaha Motor Corporation, U.S.A. All rights reserved.

VX225TLRC 2004 / BRACKET 2



©2013 Yamaha Motor Corporation, U.S.A. All rights reserved.


Part List

VX225TLRC 2004 / BRACKET 2

REF - NO	PART NUMBER	PART NAME	QUANTITY	REMARKS
1	64E-43139-02-00	CAM, TRIM SENDER	1	
2	97780-60525-00	SCREW, TAPPING	1	
3	67H-83672-00-00	TRIM SENDER	1	
4	97885-06016-00	SCREW, PAN HEAD	2	
5	90465-11M10-00	CLAMP	3	
6	93210-37MH7-00	O-RING	1	
7	90202-40M47-00	WASHER, PLATE	1	
8	64E-43376-00-00	BOLT, THRUST RECEIVER	2	
9	95780-10300-00	NUT, FLANGE	2	
10	66K-42510-01-8D	STEERING BRACKET ASSY	1	
11	90201-38M60-00	WASHER, PLATE	2	
12	90386-38M32-00	BUSH	2	
13	60X-44551-00-8D	HOUSING, LOWER MOUNT RUBBER	1	
14	93410-37M04-00	CIRCLIP	1	
15	6E5-44575-00-00	DAMPER, LOWER MOUNT RUBBER	1	
16	66K-44555-00-94	MOUNT DAMPER, LOWER SIDE	2	
17	90202-32M19-00	WASHER, PLATE	2	
18	90201-16M55-00	WASHER, PLATE	2	
19	90109-14M80-00	BOLT	2	
20	90201-15M58-00	WASHER, PLATE	2	
21	95380-14800-00	NUT	2	
22	92995-14600-00	WASHER	2	
23	90101-10M70-00	BOLT	4	
24	60X-44553-00-NA	COVER, LOWER MOUNT	2	
25	65N-43155-N0-00	MARK 1	1	
26	65N-43156-N0-00	MARK 2	1	
27	66K-44514-00-94	MOUNT DAMPER, UPPER SIDE	2	
28	90201-16M01-00	WASHER, PLATE	2	
29	90202-28M46-00	WASHER, PLATE	2	
30	90201-28M01-00	WASHER, PLATE	2	
31	90109-14M10-00	BOLT	2	
32	90185-14M00-00	NUT, SELF-LOCKING	2	
33	92990-14600-00	WASHER	2	
34	61A-44511-00-94	COVER, UPPER MOUNT	1	
35	97095-10045-00	BOLT	3	
36	92990-10600-00	WASHER, PLATE	3	

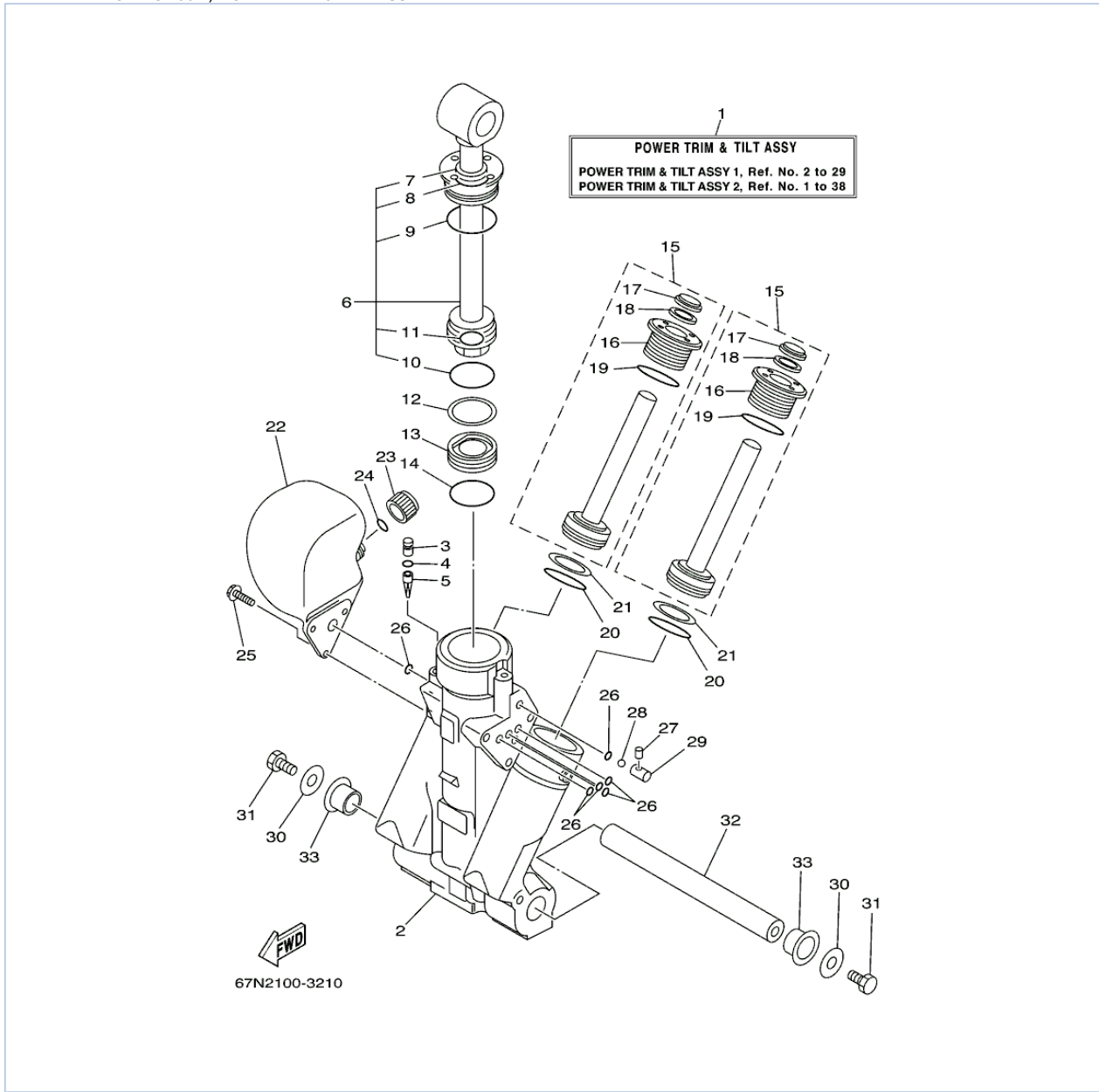
Part Notes

VX225TLRC 2004 / BRACKET 2

PART NUMBER	NOTE TEXT
92990-10600-00 	OEM: This part number is among the Top 100 Most Popular Marine Maintenance Parts as of August 2013.

©2013 Yamaha Motor Corporation, U.S.A. All rights reserved.

VX225TLRC 2004 / POWER TRIM & TILT ASSY 1



©2013 Yamaha Motor Corporation, U.S.A. All rights reserved.





Part List

VX225TLRC 2004 / POWER TRIM & TILT ASSY 1

REF - NO	PART NUMBER	PART NAME	QUANTITY	REMARKS
1	68F-43800-01-4D	POWER TRIM & TILT ASSY	1	
2	64E-43825-01-00	HOUSING, TRIM & TILT	1	
3	64E-4388J-00-00	PLUG 2	1	
4	93210-10M74-00	O-RING	1	
5	64E-43817-00-00	FILTER 2	1	
6	64E-43810-00-00	TILT PISTON SUB ASSY	1	
7	64E-43898-00-00	.SEAL, DUST 2	1	
8	64E-43867-00-00	.O-RING	1	
9	64E-43866-00-00	.O-RING	1	
10	6E5-43862-00-00	.O-RING	1	
11	64E-43883-00-00	.O-RING	1	
12	6E5-43872-00-00	RING, BACK UP	1	
13	6E5-43814-02-00	PISTON, FREE	1	
14	6E5-43862-00-00	O-RING	1	
15	64E-43820-00-00	PISTON SUB ASSEMBLY	2	
16	64E-43821-00-00	.SCREW, TRIM CYLINDER END	1	
17	64E-43822-00-00	.SEAL, TRIM DUST	1	
18	64E-4384J-00-00	.SEAL, TRIM DOWN	1	
19	6G5-43864-00-00	.O-RING	1	
20	6E5-43864-00-00	O-RING	2	
21	6E5-43874-01-00	RING, BACK UP	2	
22	64E-43828-00-00	BODY, RESERVOIR	1	
23	64E-43829-00-00	PLUG, RESERVOIR	1	
24	64E-43897-00-00	O-RING	1	
25	64E-4388E-00-00	BOLT ,SCREW (L:14MM)	3	
26	64E-43869-00-00	O-RING	6	
27	64E-4381G-00-00	PIN	1	
28	6E5-43858-00-00	BALL	1	
29	64E-4382G-00-00	VALVE, SEAT	1	
30	90201-08M14-00	WASHER, PLATE	2	
31	97080-08016-00	BOLT	2	
32	64E-43818-01-00	PIN, LOWER SHOCK MOUNT	1	
33	90386-22M98-00	BUSH	2	

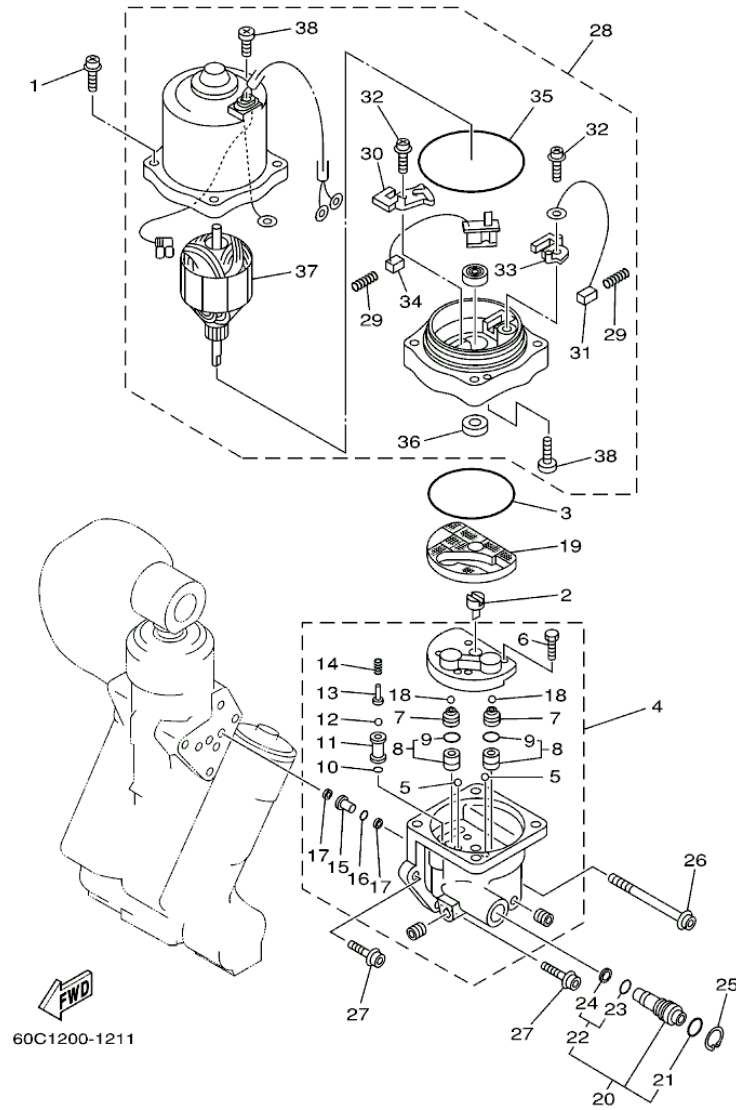
Part Notes

VX225TLRC 2004 / POWER TRIM & TILT ASSY 1

PART NUMBER		NOTE TEXT
64E-43822-00-00		OEM: This part number is among the Top 100 Most Popular Marine Maintenance Parts as of August 2013.
64E-4384J-00-00		OEM: This part number is among the Top 100 Most Popular Marine Maintenance Parts as of August 2013.
6G5-43864-00-00		OEM: This part number is among the Top 100 Most Popular Marine Maintenance Parts as of August 2013.
64E-43869-00-00		OEM: This part number is among the Top 100 Most Popular Marine Maintenance Parts as of August 2013.

©2013 Yamaha Motor Corporation, U.S.A. All rights reserved.

VX225TLRC 2004 / POWER TRIM & TILT ASSY 2



60C1200-1211

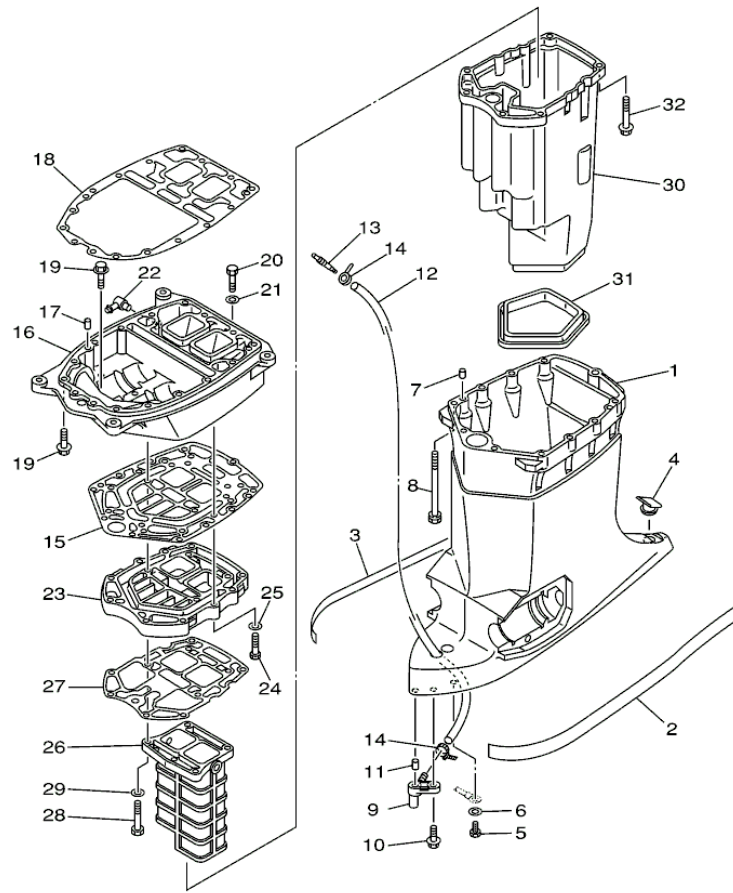
©2013 Yamaha Motor Corporation, U.S.A. All rights reserved.

Part List

VX225TLRC 2004 / POWER TRIM & TILT ASSY 2

REF - NO	PART NUMBER	PART NAME	QUANTITY	REMARKS
1	64E-4388E-10-00	BOLT ,SCREW (L:14MM)	4	
2	64E-43831-00-00	CONNECTOR, SHAFT	1	
3	64E-43868-00-00	O-RING	1	
4	64E-43830-00-00	GEAR PUMP ASSY	1	
5	72X-43858-00-00	.BALL	2	
6	64E-43843-00-00	.SCREW, VALVE LOCK	4	
7	64E-43841-00-00	.PISTON, SHUTTLE	2	
8	64E-43802-00-00	.VALVE SUB ASSY	2	
9	6E5-43896-00-00	..O-RING	1	
10	6G5-43863-00-00	.O-RING	1	
11	64E-43851-00-00	.SEAT, RELIEF VALVE	1	
12	64E-43858-00-00	.BALL	1	
13	64E-43859-00-00	.PIN, VALVE SUPPORT	1	
14	64E-43855-00-00	.SPRING, UP RELIEF	1	
15	64E-43850-00-00	.VALVE SUB ASSY	1	
16	64E-43865-00-00	.O-RING	1	
17	64E-43816-00-00	.FILTER 1	2	
18	64E-43858-00-00	.BALL	2	
19	64E-43817-10-00	FILTER 2	1	
20	64E-43860-00-00	MANUAL VALVE SUB-ASSY	1	
21	72X-85075-L0-00	.O-RING	1	
22	64E-43827-00-00	.RING SET	1	
23	64E-4387A-00-00	..O-RING	1	
24	64E-43873-00-00	..RING, BACK UP	1	
25	64E-43875-00-00	RING, SNAP	1	
26	64E-43879-10-00	SCREW, WITH WASHER	1	
27	64E-43879-00-00	SCREW, WITH WASHER	2	
28	67H-43880-01-00	MOTOR ASSY	1	
29	6H1-4386K-10-00	.SPRING, BRUSH	2	
30	64E-4380J-00-00	.HOLDER, BRUSH	1	
31	64E-43891-00-00	.BRUSH 1	1	
32	97607-04310-00	.SCREW,WITH WASHER	2	
33	64E-4380F-00-00	.HOLDER, BRUSH 2	1	
34	64E-43892-00-00	.BREAKER COMP (BRUSH 2)	1	
35	6G5-43865-00-00	.O-RING	1	
36	93102-08M43-00	.OIL SEAL	1	
37	64E-43805-00-00	.ARMATURE ASSY	1	
38	64E-43843-10-00	.SCREW, VALVE LOCK	3	

VX225TLRC 2004 / UPPER CASING




66X0010-9231


Part List

VX225TLRC 2004 / UPPER CASING

REF - NO	PART NUMBER	PART NAME	QUANTITY	REMARKS
1	60X-45111-10-8D	CASING, UPPER	1	
2	6N9-42791-40-00	MARK 1	1	
3	6N9-42792-40-00	MARK 2	1	
4	61A-45155-00-00	CAP	1	
5	97080-06010-00	BOLT	1	
6	92990-06600-00	WASHER, PLATE	1	
7	93608-12M05-00	PIN, DOWEL	2	
8	90119-08M78-00	BOLT, WITH WASHER	8	
9	66K-45378-00-00	NIPPLE, HOSE	1	
10	90119-06M17-00	BOLT, WITH WASHER	1	
11	93606-12019-00	.PIN, DOWEL	1	
12	90445-07MF0-00	HOSE (L1030)	1	
13	6E5-83558-00-00	END, NIPPLE	1	
14	90465-11M10-00	CLAMP	2	
15	61A-45114-A0-00	.GASKET, UPPER CASING	1	
16	61A-41137-13-94	GUIDE, EXHAUST	1	FLUSHING KIT
17	93608-12M05-00	PIN, DOWEL	2	
18	61A-45113-A0-00	.GASKET, UPPER CASING	1	
19	90119-08M79-00	BOLT, WITH WASHER	8	
20	97095-08035-00	BOLT	1	
21	92990-08600-00	.WASHER, PLATE	1	
22	6H1-11372-00-00	.NIPPLE, HOSE	1	FLUSHING KIT
23	61A-41131-00-5B	MANIFOLD, EXT. 1	1	
24	97095-08035-00	BOLT	4	
25	92990-08600-00	.WASHER, PLATE	4	
26	61A-41132-01-5B	MANIFOLD, EXHAUST	1	
27	61A-41134-A0-00	.GASKET, EXHAUST MANIFOLD	1	
28	97095-08050-00	BOLT	4	
29	92990-08600-00	.WASHER, PLATE	4	
30	66K-14711-00-5B	MUFFLER 1	1	
31	66K-45123-00-00	.GASKET, MUFFLER	1	
32	90119-08M74-00	.BOLT, WITH WASHER	6	

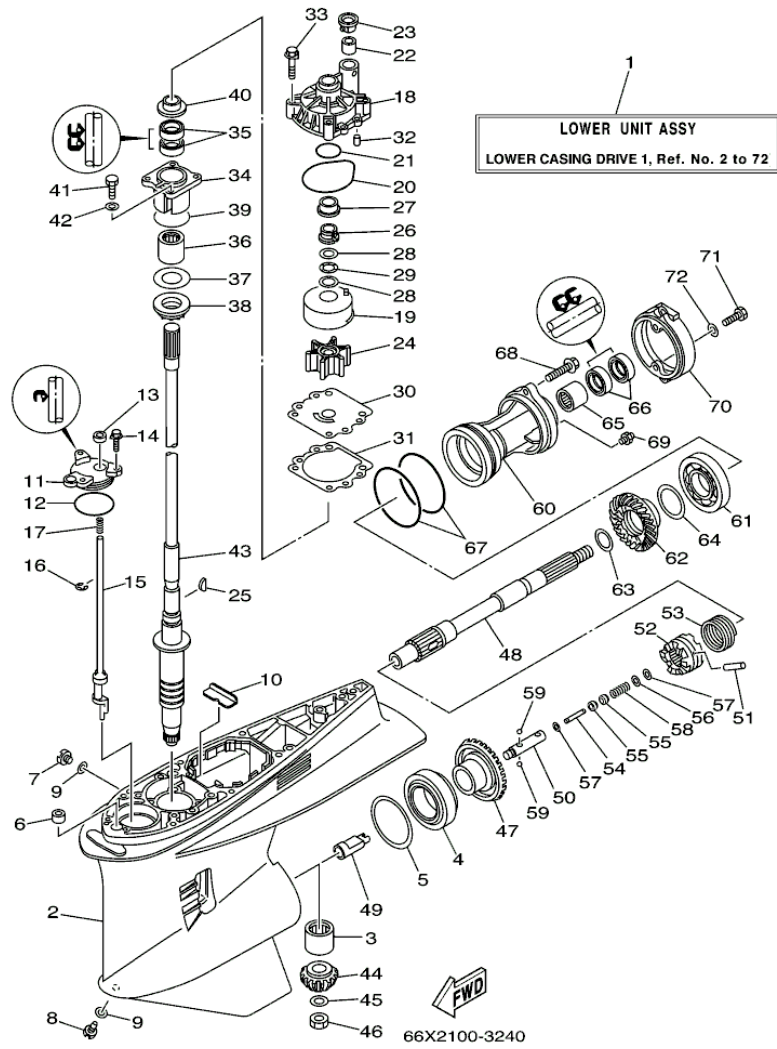
Part Notes

VX225TLRC 2004 / UPPER CASING

PART NUMBER	NOTE TEXT
92990-06600-00 	OEM: This part number is among the Top 100 Most Popular Marine Maintenance Parts as of August 2013.

©2013 Yamaha Motor Corporation, U.S.A. All rights reserved.

VX225TLRC 2004 / LOWER CASING DRIVE 1



©2013 Yamaha Motor Corporation, U.S.A. All rights reserved.

Part List











VX225TLRC 2004 / LOWER CASING DRIVE 1

REF - NO	PART NUMBER	PART NAME	QUANTITY	REMARKS
1	66K-45300-12-NA	LOWER UNIT ASSY	1	
2	61A-45301-10-NA	CASING, LOWER	1	
3	93311-83280-00	BEARING	1	
4	93332-000W1-00	BEARING	1	
5	61A-45567-00-10	SHIM (T:0.10MM)	1	UR
5	61A-45567-00-12	SHIM (T:0.12MM)	1	UR
5	61A-45567-00-15	SHIM (T:0.15MM)	1	UR
5	61A-45567-00-50	SHIM (T:0.50MM)	1	UR
5	61A-45567-00-30	SHIM (T:0.30MM)	1	UR
5	61A-45567-00-40	SHIM (T:0.40MM)	1	UR
5	61A-45567-00-18	SHIM (T:0.18MM)	1	UR
6	663-44366-00-00	DAMPER, WATER SEAL 2	1	
7	90340-08002-00	PLUG, STRAIGHT SCREW	1	
8	688-45341-10-00	PLUG, DRAIN	1	
9	90430-08020-00	.GASKET	2	
10	61A-45376-00-94	GUIDE, SEAL DAMPER	1	
11	61A-45321-01-00	PLATE	1	
12	93210-64488-00	.O-RING	1	
13	93106-09014-00	.OIL SEAL	1	
14	90119-06M10-00	BOLT, WITH WASHER	3	
15	60V-44150-00-00	SHIFT CAM ASSY	1	
16	99001-08600-00	CIRCLIP	1	
17	90501-11M10-00	SPRING, COMPRESSION	1	
18	61A-44311-01-00	HOUSING, WATER PUMP	1	
19	61A-44322-02-00	.INSERT, CARTRIDGE	1	
20	93210-86M38-00	.O-RING	1	
21	93210-37M67-00	.O-RING	1	
22	6E5-44365-00-00	DAMPER, WATER SEAL 1	1	
23	6E5-44312-00-00	COVER, WATER PUMP HOUSING	1	
24	6E5-44352-01-00	.IMPELLER	1	
25	90280-04M05-00	.KEY, WOODRUFF	1	
26	61A-45538-00-00	SPACER 1	1	
27	61A-45527-00-00	COLLAR, DRIVE SHAFT	1	
28	90201-22M01-00	WASHER, PLATE	2	
29	90206-22M19-00	WASHER, WAVE	1	
30	6G5-44323-00-00	.OUTER PLATE, CARTRIDGE	1	
31	6E5-44315-A0-00	.GASKET, WATER PUMP	1	
32	93606-12019-00	.PIN, DOWEL	2	
33	90119-08M14-00	.BOLT, WITH WASHER	4	
34	61A-45331-00-94	HOUSING, BEARING	1	
35	93101-28M16-00	.OIL SEAL	2	
36	93317-330U2-00	BEARING	1	
37	61A-45587-00-10	SHIM (T:0.10MM)	1	UR
37	61A-45587-00-12	SHIM (T:0.12MM)	1	UR
37	61A-45587-00-15	SHIM (T:0.15MM)	1	UR
37	61A-45587-00-50	SHIM (T:0.50MM)	1	UR
37	61A-45587-00-30	SHIM (T:0.30MM)	1	UR
37	61A-45587-00-40	SHIM (T:0.40MM)	1	UR
37	61A-45587-00-18	SHIM (T:0.18MM)	1	UR
38	93341-930U9-00	BEARING	1	
39	93210-55M14-00	.O-RING	1	
40	6E5-45344-00-00	COVER, OIL SEAL	1	
41	97095-08025-00	BOLT	4	

42	92990-08600-00	.WASHER, PLATE	4	
43	66K-45501-00-00	DRIVE SHAFT COMP.	1	
44	61A-45551-03-00	PINION (16T)	1	
45	90201-16M00-00	WASHER, PLATE	1	
46	90170-16M19-00	NUT	1	
47	61A-45560-03-00	GEAR 1 (29T)	1	
48	69J-45611-00-00	SHAFT, PROPELLER	1	
49	61A-45641-02-00	SHIFTER	1	
50	61A-45634-01-00	SLIDE, SHIFT	1	
51	61A-45632-00-00	PIN, CROSS	1	
52	61A-45631-03-00	CLUTCH, DOG	1	
53	61A-45633-00-00	RING, CROSS PIN	1	
54	6H1-45668-00-00	SHAFT, FREE 1	1	
55	61A-45635-00-00	PLUNGER, SHIFT	2	
56	90201-02M00-00	WASHER, PLATE	1	
57	90183-02M03-00	NUT, SPRING	2	
58	90501-10M77-00	SPRING, COMPRESSION	1	
59	93501-04011-00	.BALL	2	
60	61A-45332-02-94	HOUSING, BEARING	1	
61	93306-210U0-00	BEARING	1	
62	61A-45571-00-00	GEAR 2 (29T)	1	
63	90201-31M00-00	WASHER, PLATE	1	
64	61A-45577-00-10	SHIM (T:0.10MM)	1	UR
64	61A-45577-00-12	SHIM (T:0.12MM)	1	UR
64	61A-45577-00-15	SHIM (T:0.15MM)	1	UR
64	61A-45577-00-50	SHIM (T:0.50MM)	1	UR
64	61A-45577-00-30	SHIM (T:0.30MM)	1	UR
64	61A-45577-00-40	SHIM (T:0.40MM)	1	UR
64	61A-45577-00-18	SHIM (T:0.18MM)	1	UR
65	93317-330U5-00	BEARING	1	
66	93101-30M17-00	.OIL SEAL	2	
67	93211-04384-00	.O-RING	2	
68	90105-08M48-00	BOLT, FLANGE	2	
69	93700-09M00-00	NIPPLE, GREASE	1	
70	61A-45361-01-5B	CAP, LOWER CASING	1	
71	97095-08020-00	BOLT	2	
72	92990-08600-00	.WASHER, PLATE	2	

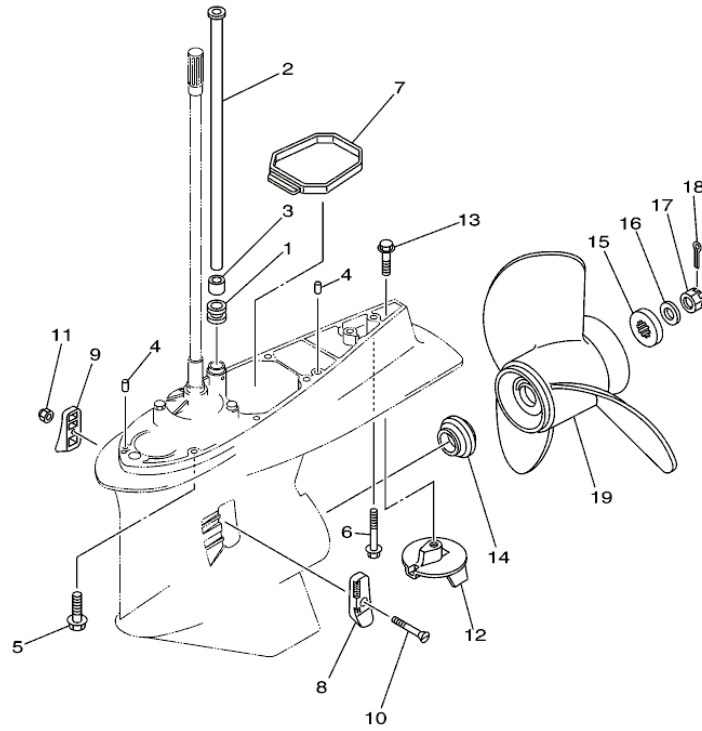
Part Notes

VX225TLRC 2004 / LOWER CASING DRIVE 1

PART NUMBER		NOTE TEXT
90430-08020-00		OEM: This part number is among the Top 100 Most Popular Marine Maintenance Parts as of August 2013.
93106-09014-00		OEM: This part number is among the Top 100 Most Popular Marine Maintenance Parts as of August 2013.
61A-44311-01-00		OEM: This part number is among the Top 100 Most Popular Marine Maintenance Parts as of August 2013.
93210-86M38-00		OEM: This part number is among the Top 100 Most Popular Marine Maintenance Parts as of August 2013.
6E5-44352-01-00		OEM: This part number is among the Top 100 Most Popular Marine Maintenance Parts as of August 2013.
61A-45538-00-00		OEM: This part number is among the Top 100 Most Popular Marine Maintenance Parts as of August 2013.
61A-45527-00-00		OEM: This part number is among the Top 100 Most Popular Marine Maintenance Parts as of August 2013.
90201-22M01-00		OEM: This part number is among the Top 100 Most Popular Marine Maintenance Parts as of August 2013.
93101-28M16-00		OEM: This part number is among the Top 100 Most Popular Marine Maintenance Parts as of August 2013.
93101-30M17-00		OEM: This part number is among the Top 100 Most Popular Marine Maintenance Parts as of August 2013.

©2013 Yamaha Motor Corporation, U.S.A. All rights reserved.

VX225TLRC 2004 / LOWER CASING DRIVE 2




66X3100-C250

©2013 Yamaha Motor Corporation, U.S.A. All rights reserved.



Part List

VX225TLRC 2004 / LOWER CASING DRIVE 2

REF - NO	PART NUMBER	PART NAME	QUANTITY	REMARKS
1	6E5-44366-00-00	DAMPER, WATER SEAL 2	1	
2	66K-44361-00-00	TUBE, WATER	1	
3	6E5-44365-00-00	DAMPER, WATER SEAL 1	1	
4	93608-12M05-00	PIN, DOWEL	2	
5	90101-10M70-00	BOLT	7	
6	90119-10MA2-00	BOLT, WITH WASHER	1	
7	61A-45375-00-00	DAMPER, SEAL	1	
8	61A-45214-30-00	COVER, WATER INLET	1	
9	61A-45215-30-00	COVER, WATER INLET	1	
10	90152-05003-00	SCREW, COUNTERSUNK	1	
11	90185-05002-00	NUT, NYLON	1	
12	69L-45371-00-00	TAB-TRIM	1	
13	90105-10M00-00	BOLT, FLANGE	1	
14	6E5-45987-01-00	SPACER 1	1	
15	688-45997-01-00	SPACER 2	1	
16	92990-18200-00	WASHER	1	
17	90171-18M04-00	NUT, CASTLE	1	
18	91490-40030-00	PIN. COTTER	1	
19	66K-45972-B0-00	PROPELLER (3X14-1/2"X25"-M2)	1	UR
19	66K-45974-B0-00	PROPELLER (3X14-1/2"X23"-M2)	1	UR
19	66K-45970-B0-00	PROPELLER (3X14-1/2"X27"-M1)	1	UR

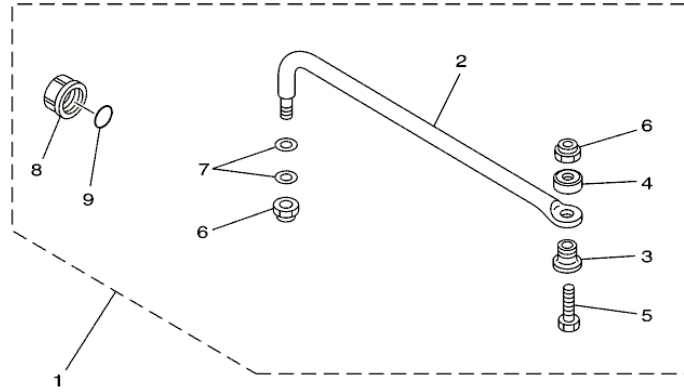
Part Notes

VX225TLRC 2004 / LOWER CASING DRIVE 2

PART NUMBER		NOTE TEXT
90105-10M00-00		OEM: This part number is among the Top 100 Most Popular Marine Maintenance Parts as of August 2013.
91490-40030-00		OEM: This part number is among the Top 100 Most Popular Marine Maintenance Parts as of August 2013.

©2013 Yamaha Motor Corporation, U.S.A. All rights reserved.

VX225TLRC 2004 / STEERING GUIDE



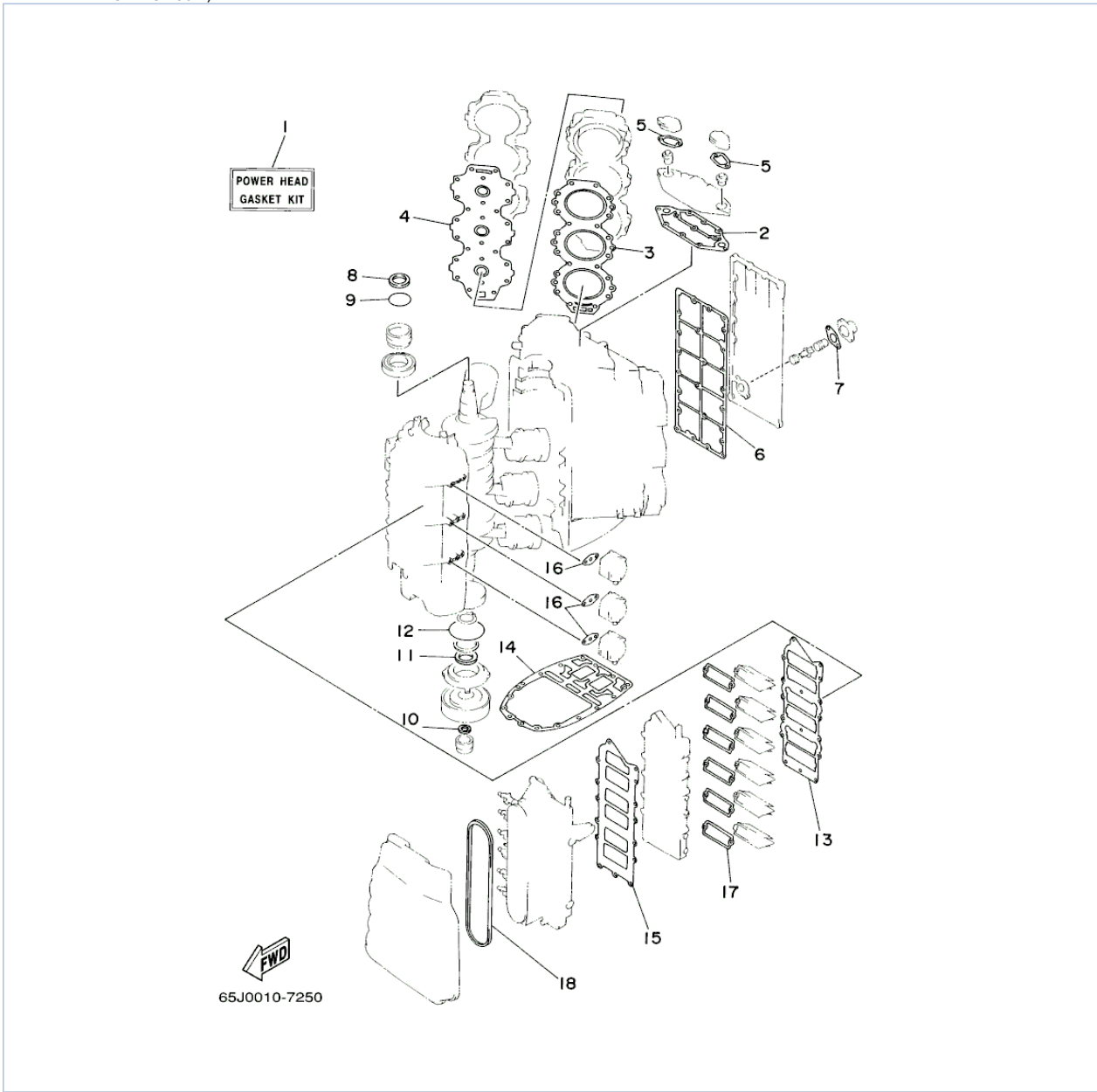
67H0100-9290

Part List

VX225TLRC 2004 / STEERING GUIDE

REF - NO	PART NUMBER	PART NAME	QUANTITY	REMARKS
1	6E5-61350-02-00	STEERING GUIDE ATTACHMENT KIT	1	AP
2	6E5-61351-01-00	.ROD, STEERING LINK	1	
3	90387-10M61-00	.COLLAR	1	
4	90560-12M01-00	.SPACER	1	
5	6E5-61355-00-00	.BOLT	1	
6	90185-09M01-00	.NUT, SELF-LOCKING	2	
7	90201-10M20-00	.WASHER, PLATE	2	
8	6E5-43145-01-00	.CAP, CLAMP BRACKET	1	
9	93210-16275-00	.O-RING	1	

VX225TLRC 2004 / REPAIR KIT 1



©2013 Yamaha Motor Corporation, U.S.A. All rights reserved.



Part List

VX225TLRC 2004 / REPAIR KIT 1

REF - NO	PART NUMBER	PART NAME	QUANTITY	REMARKS
1	65L-W0001-02-00	POWER HEAD GASKET KIT	1	
2	61A-11381-A0-00	.GASKET 1	1	
3	69L-11181-00-00	.GASKET, CYLINDER HEAD 1	2	
4	61A-11193-A1-00	.GASKET, HEAD COVER 1	2	
5	61A-12414-A0-00	.GASKET, COVER	2	
6	61A-41112-A1-00	.GASKET, EXHAUST INNER COVER	1	
7	6G5-11382-A1-00	.GASKET 2	1	
8	93102-40M38-00	.OIL SEAL	1	
9	93210-54M54-00	.O-RING	1	
10	93104-22M07-00	.OIL SEAL	1	
11	93102-40M36-00	.OIL SEAL	1	
12	93210-81MA6-00	.O-RING	1	
13	65L-13645-00-00	.GASKET, MANIFOLD 1	1	
14	61A-45113-A0-00	.GASKET, UPPER CASING	1	
15	65L-13646-00-00	.GASKET, MANIFOLD 2	1	
16	650-24431-A0-00	.GASKET, FUEL PUMP 1	3	
17	61A-13621-A0-00	.GASKET, VALVE SEAT	6	
18	65L-14483-00-00	.GASKET	1	

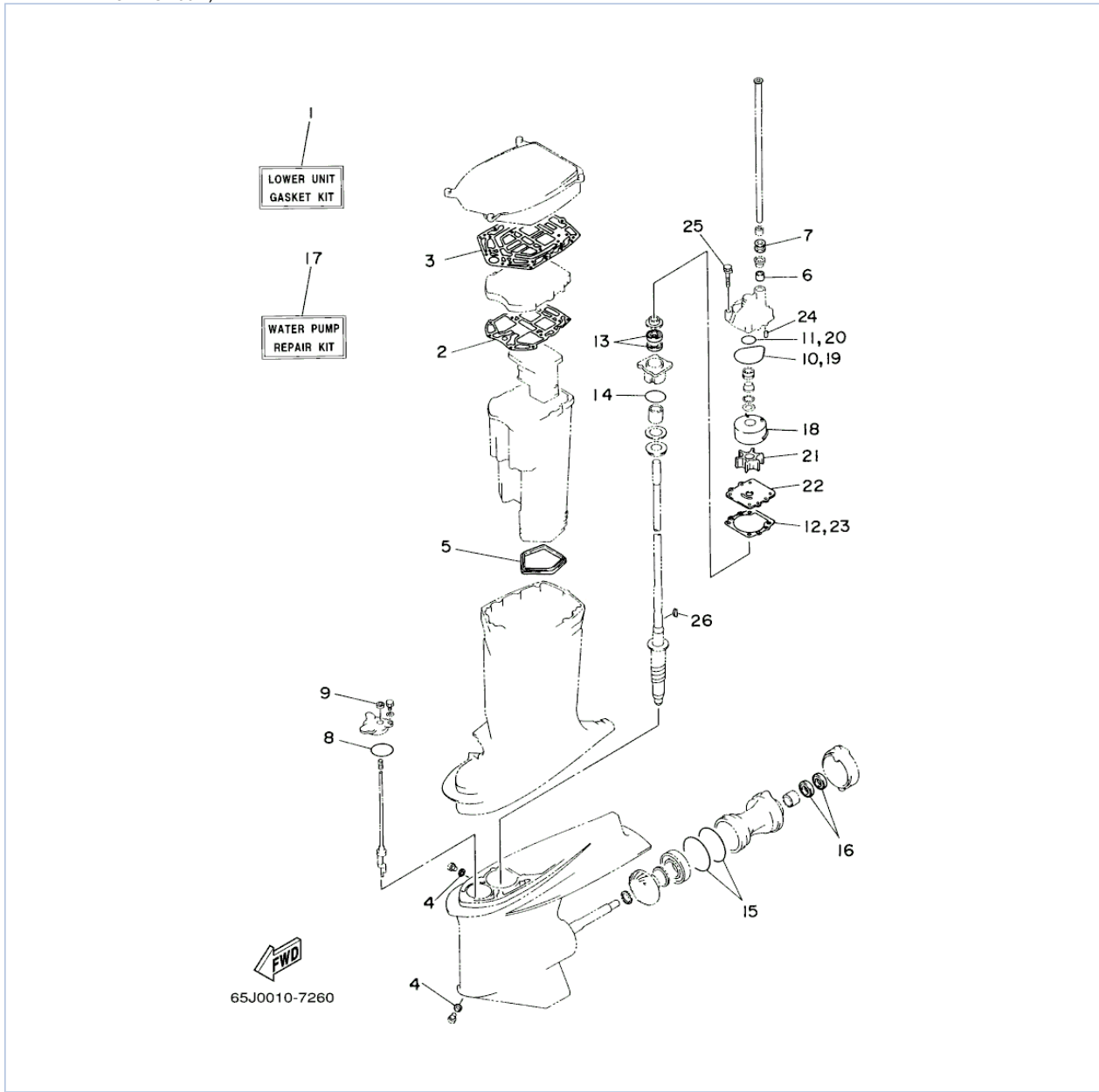
Part Notes

VX225TLRC 2004 / REPAIR KIT 1

PART NUMBER	NOTE TEXT
61A-12414-A0-00 	OEM: This part number is among the Top 100 Most Popular Marine Maintenance Parts as of August 2013.
650-24431-A0-00 	OEM: This part number is among the Top 100 Most Popular Marine Maintenance Parts as of August 2013.

©2013 Yamaha Motor Corporation, U.S.A. All rights reserved.

VX225TLRC 2004 / REPAIR KIT 2



©2013 Yamaha Motor Corporation, U.S.A. All rights reserved.









Part List

VX225TLRC 2004 / REPAIR KIT 2

REF - NO	PART NUMBER	PART NAME	QUANTITY	REMARKS
1	66K-W0001-20-00	LOWER UNIT GASKET KIT	1	
2	61A-41134-A0-00	.GASKET, EXHAUST MANIFOLD	1	
3	61A-45114-A0-00	.GASKET, UPPER CASING	1	
4	90430-08020-00	.GASKET	2	
5	66K-45123-00-00	.GASKET, MUFFLER	1	
6	6E5-44365-00-00	.DAMPER, WATER SEAL 1	1	
7	6E5-44366-00-00	.DAMPER, WATER SEAL 2	1	
8	93210-64488-00	.O-RING	1	
9	93106-09014-00	.OIL SEAL	1	
10	93210-86M38-00	.O-RING	1	
11	93210-37160-00	.O-RING	1	
12	6E5-44315-A0-00	.GASKET, WATER PUMP	1	
13	93101-28M16-00	.OIL SEAL	2	
14	93210-55M14-00	.O-RING	1	
15	93211-04384-00	.O-RING	2	
16	93101-30M17-00	.OIL SEAL	2	
17	61A-W0078-A3-00	WATER PUMP REPAIR KIT	1	
18	61A-44322-02-00	.INSERT, CARTRIDGE	1	
19	93210-86M38-00	.O-RING	1	
20	93210-37160-00	.O-RING	1	
21	6E5-44352-01-00	.IMPELLER	1	
22	6G5-44323-00-00	.OUTER PLATE, CARTRIDGE	1	
23	6E5-44315-A0-00	.GASKET, WATER PUMP	1	
24	93606-12019-00	.PIN, DOWEL	2	
25	90119-08M14-00	.BOLT, WITH WASHER	4	
26	90280-04M05-00	.KEY, WOODRUFF	1	

Part Notes

VX225TLRC 2004 / REPAIR KIT 2

PART NUMBER	NOTE TEXT
90430-08020-00	 OEM: This part number is among the Top 100 Most Popular Marine Maintenance Parts as of August 2013.
93106-09014-00	 OEM: This part number is among the Top 100 Most Popular Marine Maintenance Parts as of August 2013.
93210-86M38-00	 OEM: This part number is among the Top 100 Most Popular Marine Maintenance Parts as of August 2013.
93101-28M16-00	 OEM: This part number is among the Top 100 Most Popular Marine Maintenance Parts as of August 2013.
93101-30M17-00	 OEM: This part number is among the Top 100 Most Popular Marine Maintenance Parts as of August 2013.
61A-W0078-A3-00	 OEM: This part number is among the Top 100 Most Popular Marine Maintenance Parts as of August 2013.
93210-86M38-00	 OEM: This part number is among the Top 100 Most Popular Marine Maintenance Parts as of August 2013.
6E5-44352-01-00	 OEM: This part number is among the Top 100 Most Popular Marine Maintenance Parts as of August 2013.

©2013 Yamaha Motor Corporation, U.S.A. All rights reserved.

©2013 Yamaha Motor Corporation, U.S.A. All rights reserved.