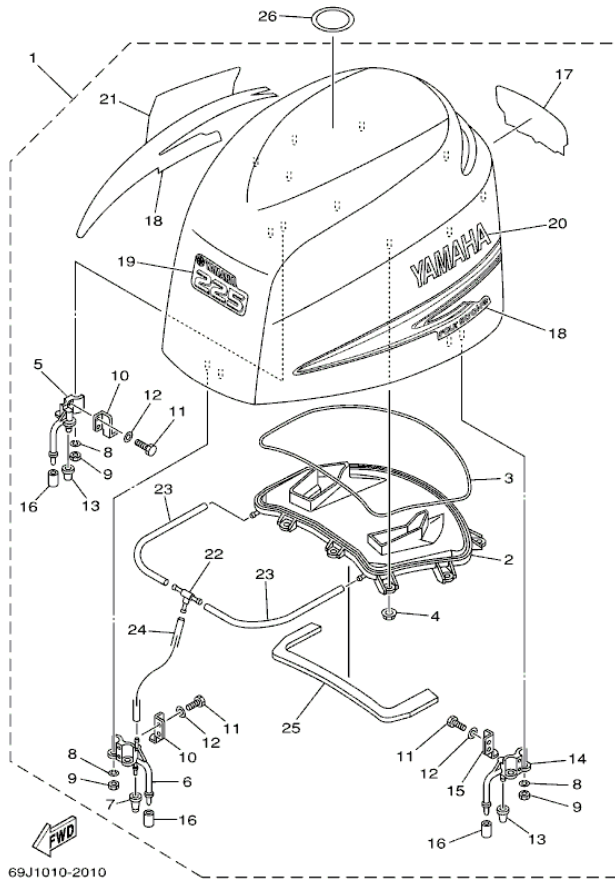


LF225TURD 2005 / TOP COWLING



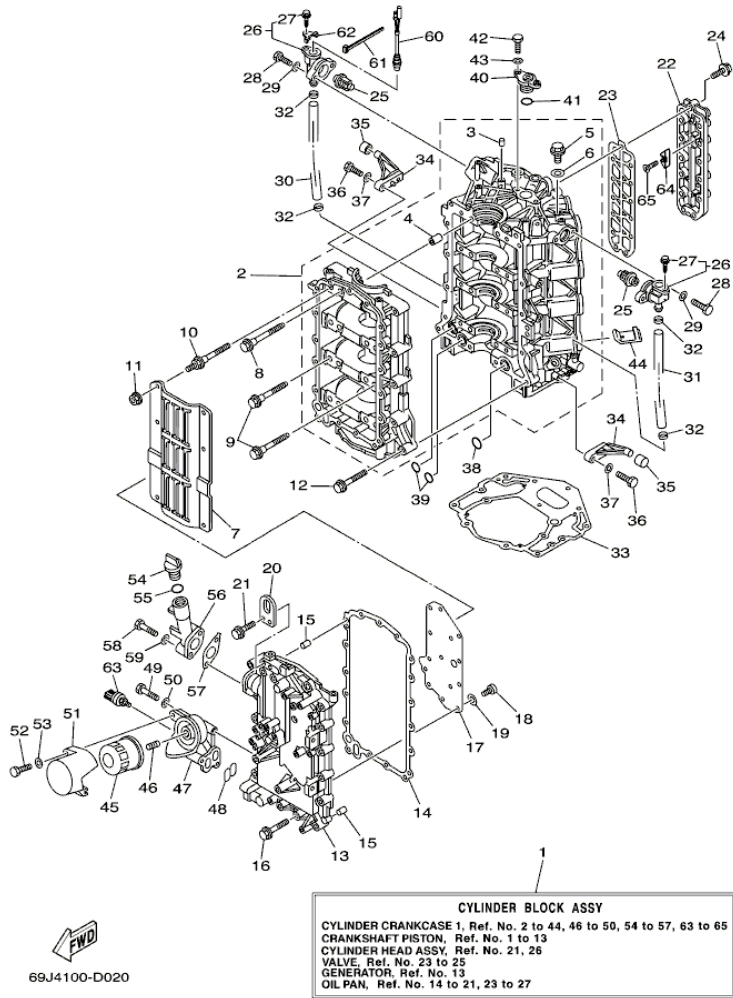
©2013 Yamaha Motor Corporation, U.S.A. All rights reserved.

Part List

LF225TURD 2005 / TOP COWLING

| REF - NO | PART NUMBER | PART NAME | QUANTITY | REMARKS |
|----------------|-----------------|---------------------|----------|---------------|
| 1 | 69J-42610-00-8D | TOP COWLING ASSY | 1 | UR F225/LF225 |
| 2 | 69J-42613-00-00 | .MOLDING, AIR DUCT | 1 | |
| 3 | 69J-42629-00-00 | .SEAL | 1 | |
| 4 | 90179-06M28-00 | .NUT | 9 | |
| 5 | 68F-42647-01-94 | .HOLDER, CLAMP BAND | 1 | |
| 6 | 69J-42647-00-94 | .HOLDER, CLAMP BAND | 1 | |
| 7 | 69J-42663-00-00 | .DAMPER | 1 | |
| 8 | 92990-06100-00 | .WASHER, SPRING | 6 | |
| 9 | 95380-06600-00 | .NUT, HEXAGON | 6 | |
| 10 | 68F-42651-00-00 | .HOOK | 2 | |
| 11 | 97095-06016-00 | .BOLT | 6 | |
| 12 | 92995-06600-00 | .WASHER | 6 | |
| 13 | 68F-42663-00-00 | .DAMPER | 2 | |
| 14 | 68F-42648-01-94 | .HOLDER, CLAMP BAND | 1 | |
| 15 | 67F-42652-00-00 | .HOOK | 1 | |
| 16 | 67F-13448-00-00 | .CAP | 3 | |
| 17 | 69J-42678-00-00 | .GRAPHIC, REAR | 1 | UR F225/LF225 |
| 18 | 69J-W0070-00-00 | .GRAPHIC SET | 1 | |
| 19 | 69J-42677-00-00 | .GRAPHIC, FRONT | 1 | UR F225/LF225 |
| 20 | 69J-42681-00-00 | .MARK, COWLING | 1 | |
| 21 | 69J-42682-00-00 | .MARK, COWLING | 1 | |
| 22 | 69J-24378-00-00 | .PIPE, JOINT 3 | 1 | |
| 23 | 90445-11020-00 | .HOSE (L400) | 2 | |
| 24 | 90445-11021-00 | .HOSE (L310) | 1 | |
| 25 | 69J-42617-00-00 | .DAMPER, FORM | 1 | |
| 26 | 67F-13434-02-00 | LABEL, CAUTION | 1 | |

LF225TURD 2005 / CYLINDER CRANKCASE 1



©2013 Yamaha Motor Corporation, U.S.A. All rights reserved.

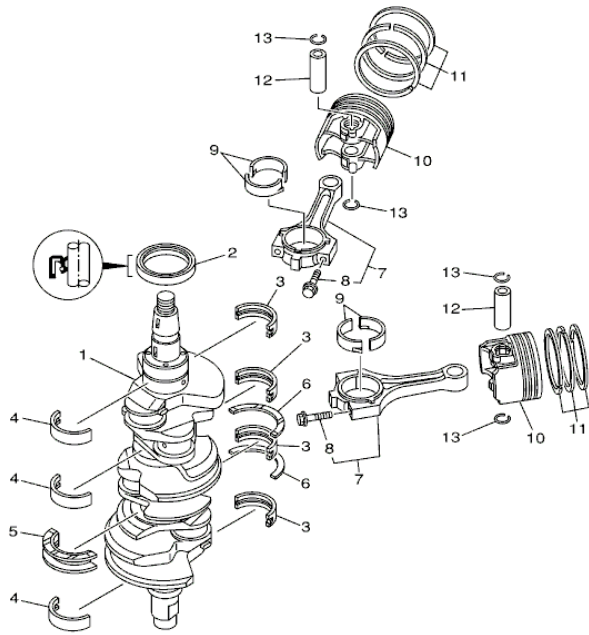
Part List

LF225TURD 2005 / CYLINDER CRANKCASE 1

| REF - NO | PART NUMBER | PART NAME | QUANTITY | REMARKS |
|----------------|-----------------|-------------------------------|----------|---------|
| 1 | 69J-W009B-03-1S | CYLINDER BLOCK ASSY | 1 | |
| 2 | 69J-15100-10-1S | CRANKCASE ASSY | 1 | |
| 3 | 93606-12019-00 | .PIN, DOWEL | 1 | |
| 4 | 91814-18001-00 | .PIN, DOWEL | 8 | |
| 5 | 90340-14M06-00 | .PLUG, STRAIGHT SCREW | 1 | |
| 6 | 90430-14115-00 | .GASKET | 1 | |
| 7 | 69J-15123-00-00 | PLATE, BAFFLE 1 | 1 | |
| 8 | 69J-15187-00-00 | BOLT | 8 | |
| 9 | 69J-15481-00-00 | BOLT 1 | 2 | |
| 10 | 69J-15482-00-00 | BOLT 2 | 6 | |
| 11 | 95707-06500-00 | NUT, FLANGE | 6 | |
| 12 | 90119-08M66-00 | BOLT, WITH WASHER | 13 | |
| 13 | 69J-15411-00-94 | COVER, CRANKCASE 1 | 1 | |
| 14 | 69J-15451-00-00 | .GASKET, CRANKCASE COVER 1 | 1 | |
| 15 | 93606-12019-00 | .PIN, DOWEL | 2 | |
| 16 | 90119-08009-00 | BOLT, WITH WASHER | 17 | |
| 17 | 69J-11168-00-00 | COVER, BREATHER | 1 | |
| 18 | 98507-04008-00 | ..SCREW, PAN HEAD | 14 | |
| 19 | 92907-04600-00 | .WASHER | 14 | |
| 20 | 69J-11119-00-00 | HANGER, ENGINE | 1 | |
| 21 | 90119-06MA2-00 | BOLT, WITH WASHER | 2 | |
| 22 | 69J-1131C-01-1S | COVER, JOINT | 1 | |
| 23 | 69J-1131B-00-00 | .GASKET, COVER | 1 | |
| 24 | 90119-06MA4-00 | BOLT, WITH WASHER | 13 | |
| 25 | 67F-12411-00-00 | THERMOSTAT | 2 | |
| 26 | 69J-1240H-00-1S | COVER ASSEMBLY | 2 | |
| 27 | 90109-06M86-00 | .BOLT | 1 | |
| 28 | 97095-06025-00 | BOLT | 4 | |
| 29 | 92995-06600-00 | WASHER | 4 | |
| 30 | 69J-1243A-00-00 | HOSE 1 | 1 | |
| 31 | 69J-1243E-00-00 | HOSE 2 | 1 | |
| 32 | 90465-11M10-00 | CLAMP | 4 | |
| 33 | 69J-11351-10-00 | .GASKET, CYLINDER | 1 | |
| 34 | 67F-42761-00-94 | STOPPER | 2 | |
| 35 | 68F-44533-00-00 | DAMPER, UPPER MOUNT RUBBER | 2 | |
| 36 | 97095-06025-00 | BOLT | 4 | |
| 37 | 92995-06600-00 | WASHER | 4 | |
| 38 | 93210-25552-00 | O-RING | 1 | |
| 39 | 93210-19MJ1-00 | .O-RING | 2 | |
| 40 | 69J-11313-00-94 | PLUG, BLIND | 1 | |
| 41 | 93210-25647-00 | .O-RING | 1 | |
| 42 | 97095-06020-00 | BOLT | 2 | |
| 43 | 92995-06600-00 | WASHER | 2 | |
| 44 | 69J-14664-00-00 | .GROMMET, WATER SHUT | 2 | |
| 45 | 69J-13440-00-00 | ELEMENT ASSY, OIL CLEANER | 1 | |
| 46 | 69J-12858-00-00 | BOLT, UNION | 1 | |
| 47 | 69J-13446-00-94 | CONNECTOR | 1 | |
| 48 | 69J-13477-00-00 | .GASKET | 1 | |
| 49 | 97095-06045-00 | .BOLT | 3 | |
| 50 | 92995-06600-00 | WASHER | 3 | |
| 51 | 69J-13447-00-00 | COVER, OIL ELEMENT | 1 | |
| 52 | 97095-06040-00 | .BOLT | 1 | |
| 53 | 92995-06600-00 | WASHER | 1 | |
| 54 | 6G8-15363-00-00 | PLUG, OIL | 1 | |
| 55 | 93210-24M79-00 | .O-RING | 1 | |
| 56 | 69J-15319-00-1S | JOINT | 1 | |
| 57 | 69J-15364-A0-00 | .GASKET, OIL PLUG | 1 | |
| 58 | 97095-06045-00 | .BOLT | 2 | |
| 59 | 92995-06600-00 | WASHER | 2 | |
| 60 | 69J-82560-00-00 | THERMO SWITCH ASSY | 2 | |
| 61 | 90465-11M10-00 | CLAMP | 2 | |
| 62 | 6E9-82588-00-00 | PLATE | 2 | |
| 63 | 69J-83651-00-00 | SENDER, OIL PRESSURE | 1 | |
| 64 | 6E5-11325-00-00 | ANODE | 4 | |

| | | | |
|----|----------------|------------------|---|
| 65 | 98780-04015-00 | SCREW, FLAT HEAD | 4 |
|----|----------------|------------------|---|

LF225TURD 2005 / CRANKSHAFT PISTON



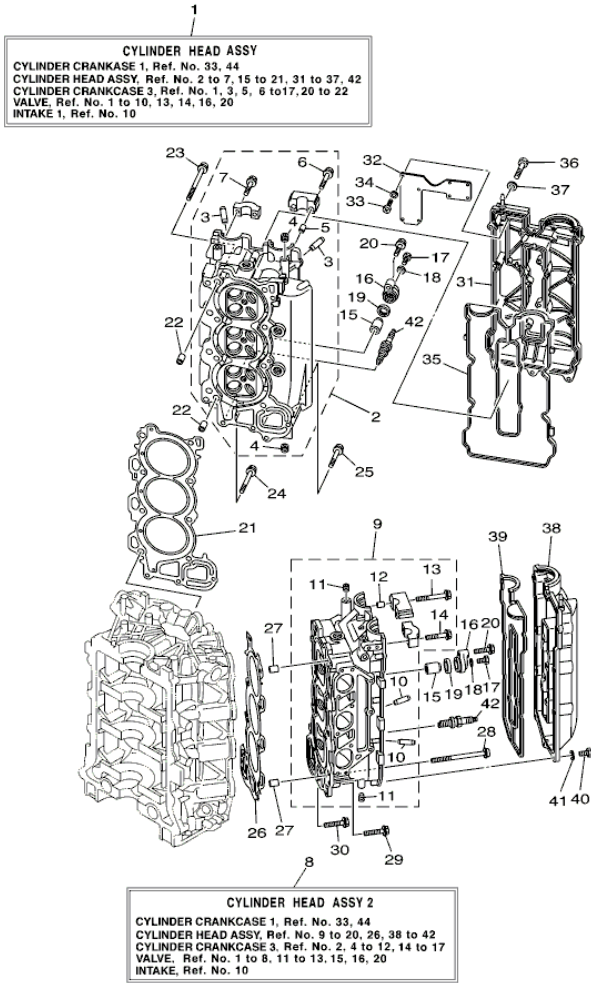

69J1010-2030

Part List

LF225TURD 2005 / CRANKSHAFT PISTON

| REF - NO | PART NUMBER | PART NAME | QUANTITY | REMARKS |
|----------------|-----------------|----------------------------------|----------|-----------|
| 1 | 69J-11411-00-00 | CRANKSHAFT | 1 | |
| 2 | 93102-63004-00 | OIL SEAL | 1 | |
| 3 | 69J-11416-00-00 | PLANE BEARING, CRANKSHAFT 1 | 4 | UR #1 |
| 3 | 69J-11416-20-00 | PLANE BEARING, CRANKSHAFT 1 | 4 | UR #3 |
| 3 | 69J-11416-10-00 | PLANE BEARING, CRANKSHAFT 1 | 4 | UR #2 |
| 4 | 69J-11417-00-00 | PLANE BEARING, CRANKSHAFT 2 | 3 | UR #1 |
| 4 | 69J-11417-20-00 | PLANE BEARING, CRANKSHAFT 2 | 3 | UR #3 |
| 4 | 69J-11417-10-00 | PLANE BEARING, CRANKSHAFT 2 | 3 | UR #2 |
| 5 | 69J-11426-00-00 | BEARING, THRUST 1 | 1 | UR #1 |
| 5 | 69J-11426-20-00 | PLANE BEARING, CRANKSHAFT 1 | 1 | UR #3 |
| 5 | 69J-11426-10-00 | PLANE BEARING, CRANKSHAFT 1 | 1 | UR #2 |
| 6 | 69J-11427-00-00 | BEARING, THRUST 2 | 2 | |
| 7 | 69J-W1165-00-00 | CONNECTING ROD ASSY | 6 | |
| 8 | 69J-11654-00-00 | .BOLT, CONNECTING ROD | 2 | |
| 9 | 69J-11656-00-00 | PLANE BEARING, CONNECTING ROD | 12 | UR YELLOW |
| 9 | 69J-11656-20-00 | PLANE BEARING, CONNECTING ROD | 12 | UR BLUE |
| 9 | 69J-11656-10-00 | PLANE BEARING, CONNECTING | 12 | UR GREEN |
| 10 | 69J-11631-00-B0 | PISTON (STD) | 6 | |
| 11 | 69J-11603-00-00 | PISTON RING SET (STD) | 6 | |
| 12 | 69J-11633-00-00 | PIN, PISTON | 6 | |
| 13 | 69J-11634-00-00 | CLIP, PISTON PIN | 12 | |

LF225TURD 2005 / CYLINDER HEAD ASSY



©2013 Yamaha Motor Corporation, U.S.A. All rights reserved.



Part List

LF225TURD 2005 / CYLINDER HEAD ASSY

| REF - NO | PART NUMBER | PART NAME | QUANTITY | REMARKS |
|----------|-----------------|----------------------------|----------|---------|
| 1 | 69J-W009A-03-1S | CYLINDER HEAD COMPLETE | 1 | |
| 2 | 69J-11110-01-94 | CYLINDER HEAD ASSY | 1 | |
| 3 | 69J-11133-10-00 | .GUIDE, VALVE 1 | 12 | |
| 4 | 90344-51019-00 | .PLUG, TAPER SCREW | 5 | |
| 5 | 91809-08006-00 | .PIN, DOWEL | 2 | |
| 6 | 90119-07235-00 | .BOLT/WASHER-CAM CAPS | 2 | |
| 7 | 90119-07234-00 | .BOLT, WITH WASHER | 18 | |
| 8 | 69J-W009C-03-1S | CYLINDER HEAD 2 COMPLETE | 1 | |
| 9 | 69J-11120-01-94 | CYLINDER HEAD ASSY 2 | 1 | |
| 10 | 69J-11133-10-00 | .GUIDE, VALVE 1 | 12 | |
| 11 | 90344-51019-00 | .PLUG, TAPER SCREW | 5 | |
| 12 | 91809-08006-00 | .PIN, DOWEL | 2 | |
| 13 | 90119-07235-00 | .BOLT/WASHER-CAM CAPS | 2 | |
| 14 | 90119-07234-00 | .BOLT, WITH WASHER | 14 | |
| 15 | 68V-11325-01-00 | ANODE | 4 | |
| 16 | 69J-11327-00-94 | COVER, ANODE | 4 | |
| 17 | 97075-06020-00 | BOLT | 4 | |
| 18 | 92995-06600-00 | WASHER | 4 | |
| 19 | 67F-11328-00-00 | .GROMMET, ANODE | 4 | |
| 20 | 97575-08540-00 | BOLT, WITH WASHER | 4 | |
| 21 | 69J-11181-02-00 | .GASKET, CYLINDER HEAD 1 | 1 | |
| 22 | 90387-10M08-00 | COLLAR | 2 | |
| 23 | 90155-10001-00 | SCREW, FLAT FILLISTER | 8 | |
| 24 | 90119-08M91-00 | BOLT, WITH WASHER | 2 | |
| 25 | 90119-08021-00 | BOLT, WITH WASHER | 1 | |
| 26 | 69J-11182-02-00 | .GASKET, CYLINDER HEAD 2 | 1 | |
| 27 | 90387-10M08-00 | COLLAR | 2 | |
| 28 | 90155-10001-00 | SCREW, FLAT FILLISTER | 8 | |
| 29 | 90119-08M91-00 | BOLT, WITH WASHER | 2 | |
| 30 | 90119-08021-00 | BOLT, WITH WASHER | 1 | |
| 31 | 69J-11191-00-1S | COVER, CYLINDER HEAD 1 | 1 | |
| 32 | 69J-11135-00-00 | PLATE, BREATHER 3 | 1 | |
| 33 | 98507-04008-00 | ..SCREW, PAN HEAD | 8 | |
| 34 | 92907-04600-00 | .WASHER | 8 | |
| 35 | 69J-11193-01-00 | .GASKET, HEAD COVER 1 | 1 | |
| 36 | 97095-06030-00 | BOLT | 14 | |
| 37 | 92995-06600-00 | WASHER | 14 | |
| 38 | 69J-11192-00-1S | COVER, CYLINDER HEAD 2 | 1 | |
| 39 | 69J-11194-00-00 | .GASKET, HEAD COVER 2 | 1 | |
| 40 | 97095-06030-00 | BOLT | 14 | |
| 41 | 92995-06600-00 | WASHER | 14 | |
| 42 | 94702-00391-00 | PLUG, SPARK (NGK LFR5A-11) | 6 | |

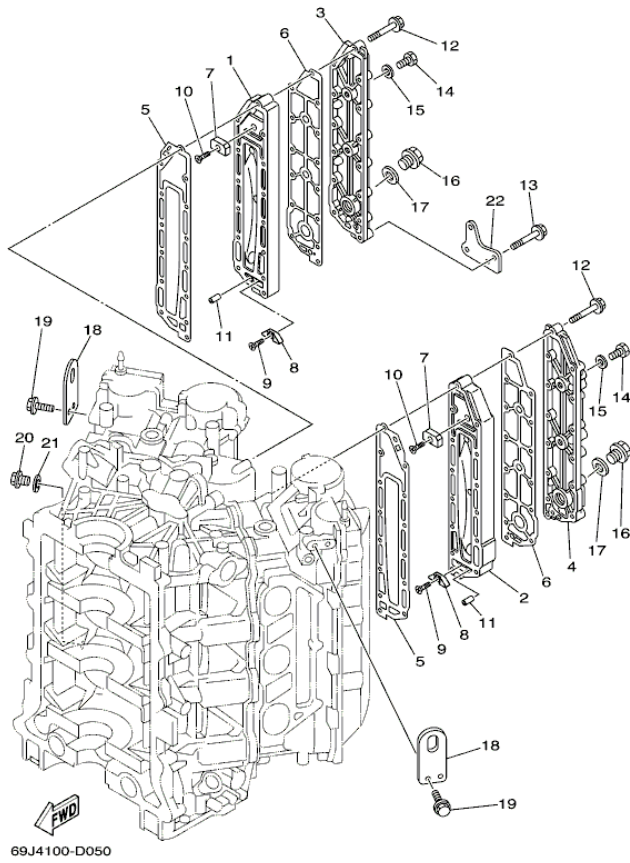
Part Notes

LF225TURD 2005 / CYLINDER HEAD ASSY

| PART NUMBER | NOTE TEXT |
|---|---|
| 68V-11325-01-00  | OEM: This part number is among the Top 100 Most Popular Marine Maintenance Parts as of August 2013. |
| 67F-11328-00-00  | OEM: This part number is among the Top 100 Most Popular Marine Maintenance Parts as of August 2013. |

©2013 Yamaha Motor Corporation, U.S.A. All rights reserved.

LF225TURD 2005 / CYLINDER CRANKCASE 2



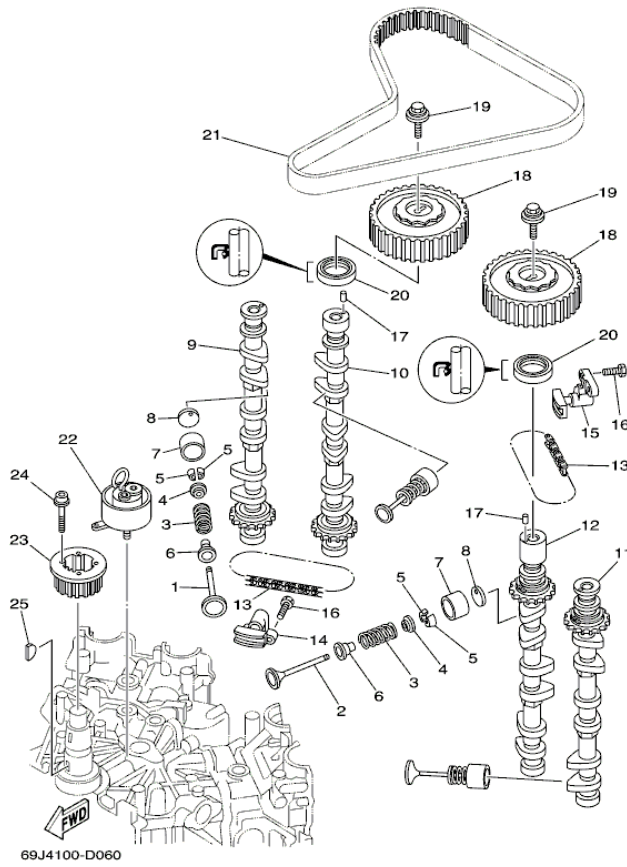
©2013 Yamaha Motor Corporation, U.S.A. All rights reserved.

Part List

LF225TURD 2005 / CYLINDER CRANKCASE 2

| REF - NO | PART NUMBER | PART NAME | QUANTITY | REMARKS |
|----------------|-----------------|---------------------------------|----------|---------|
| 1 | 69J-41111-01-1S | INNER COVER, EXHAUST | 1 | |
| 2 | 69J-41121-01-1S | INNER COVER,EXHAUST | 1 | |
| 3 | 69J-41113-01-1S | OUTER COVER, EXHAUST | 1 | |
| 4 | 69J-41123-01-1S | OUTER COVER, EXHAUST | 1 | |
| 5 | 69J-41112-01-00 | .GASKET, EXHAUST INNER COVER | 2 | |
| 6 | 69J-41114-01-00 | .GASKET, EXHAUST OUTER COVER | 2 | |
| 7 | 63P-11325-11-00 | ANODE | 2 | |
| 8 | 6E5-11325-00-00 | ANODE | 2 | |
| 9 | 98780-04015-00 | SCREW, FLAT HEAD | 2 | |
| 10 | 90151-06M02-00 | SCREW, COUNTERSUNK | 2 | |
| 11 | 91690-40010-00 | PIN, SPRING | 2 | |
| 12 | 90119-06027-00 | BOLT, WITH WASHER | 26 | |
| 13 | 90119-06104-00 | BOLT, WITH WASHER | 2 | |
| 14 | 97095-08014-00 | BOLT | 4 | |
| 15 | 90430-08143-00 | GASKET | 4 | |
| 16 | 90340-18M09-00 | PLUG, STRAIGHT SCREW | 2 | |
| 17 | 90430-18130-00 | .GASKET | 2 | |
| 18 | 69J-1111E-00-00 | HANGER, ENGINE 2 | 2 | |
| 19 | 90119-06MA2-00 | BOLT, WITH WASHER | 4 | |
| 20 | 90340-14M06-00 | PLUG, STRAIGHT SCREW | 1 | |
| 21 | 90430-14115-00 | .GASKET | 1 | |
| 22 | 69J-2134V-00-00 | BRACKET | 1 | |

LF225TURD 2005 / VALVE



©2013 Yamaha Motor Corporation, U.S.A. All rights reserved.


Part List

LF225TURD 2005 / VALVE

| REF - NO | PART NUMBER | PART NAME | QUANTITY | REMARKS |
|----------|-----------------|-----------------------------|----------|---------|
| 1 | 69J-12111-00-00 | VALVE, INTAKE | 12 | |
| 2 | 69J-12121-00-00 | VALVE, EXHAUST | 12 | |
| 3 | 69J-12113-00-00 | SPRING, VALVE INNER | 24 | |
| 4 | 69J-12117-01-00 | RETAINER, VALVE SPRING | 24 | |
| 5 | 69J-12118-00-00 | COTTER, VALVE | 48 | |
| 6 | 69J-12119-00-00 | SEAL, VALVE STEM | 24 | |
| 7 | 69J-12153-00-00 | LIFTER, VALVE | 24 | |
| 8 | 69J-12168-00-00 | PAD, ADJUSTING (2.320) | 24 | UR |
| 8 | 69J-12169-00-00 | PAD, ADJUSTING (2.960) | 24 | UR |
| 8 | 69J-12168-20-00 | PAD, ADJUSTING (2.360) | 24 | UR |
| 8 | 69J-12168-30-00 | PAD, ADJUSTING (2.380) | 24 | UR |
| 8 | 69J-12168-40-00 | PAD, ADJUSTING (2.400) | 24 | UR |
| 8 | 69J-12168-50-00 | PAD, ADJUSTING (2.420) | 24 | UR |
| 8 | 69J-12168-60-00 | PAD, ADJUSTING (2.440) | 24 | UR |
| 8 | 69J-12168-70-00 | PAD, ADJUSTING (2.460) | 24 | UR |
| 8 | 69J-12168-80-00 | PAD, ADJUSTING (2.480) | 24 | UR |
| 8 | 69J-12168-90-00 | PAD, ADJUSTING (2.500) | 24 | UR |
| 8 | 69J-12168-A0-00 | PAD, ADJUSTING (2.520) | 24 | UR |
| 8 | 69J-12168-B0-00 | PAD, ADJUSTING (2.540) | 24 | UR |
| 8 | 69J-12168-C0-00 | PAD, ADJUSTING (2.560) | 24 | UR |
| 8 | 69J-12168-D0-00 | PAD, ADJUSTING (2.580) | 24 | UR |
| 8 | 69J-12168-E0-00 | PAD, ADJUSTING (2.600) | 24 | UR |
| 8 | 69J-12168-F0-00 | PAD, ADJUSTING (2.620) | 24 | UR |
| 8 | 69J-12168-G0-00 | PAD, ADJUSTING (2.640) | 24 | UR |
| 8 | 69J-12168-H0-00 | PAD, ADJUSTING (2.660) | 24 | UR |
| 8 | 69J-12168-J0-00 | PAD, ADJUSTING (2.680) | 24 | UR |
| 8 | 69J-12168-K0-00 | PAD, ADJUSTING (2.700) | 24 | UR |
| 8 | 69J-12168-L0-00 | PAD, ADJUSTING (2.720) | 24 | UR |
| 8 | 69J-12168-M0-00 | PAD, ADJUSTING (2.740) | 24 | UR |
| 8 | 69J-12168-N0-00 | PAD, ADJUSTING (2.760) | 24 | UR |
| 8 | 69J-12168-P0-00 | PAD, ADJUSTING (2.780) | 24 | UR |
| 8 | 69J-12168-R0-00 | PAD, ADJUSTING (2.800) | 24 | UR |
| 8 | 69J-12168-S0-00 | PAD, ADJUSTING (2.820) | 24 | UR |
| 8 | 69J-12168-T0-00 | PAD, ADJUSTING (2.840) | 24 | UR |
| 8 | 69J-12168-U0-00 | PAD, ADJUSTING (2.860) | 24 | UR |
| 8 | 69J-12168-V0-00 | PAD, ADJUSTING (2.880) | 24 | UR |
| 8 | 69J-12168-W0-00 | PAD, ADJUSTING (2.900) | 24 | UR |
| 8 | 69J-12168-X0-00 | PAD, ADJUSTING (2.920) | 24 | UR |
| 8 | 69J-12168-Y0-00 | PAD, ADJUSTING (2.940) | 24 | UR |
| 8 | 69J-12168-10-00 | PAD, ADJUSTING (2.340) | 24 | UR |
| 9 | 69J-12171-00-00 | CAMSHAFT 1 | 1 | |
| 10 | 69J-12181-00-00 | CAMSHAFT 2 | 1 | |
| 11 | 69J-12172-00-00 | CAMSHAFT 3 | 1 | |
| 12 | 69J-12182-00-00 | CAMSHAFT 4 | 1 | |
| 13 | 94581-99044-00 | CHAIN | 2 | |
| 14 | 69J-12210-00-00 | TENSIONER ASSY, CAM CHAIN | 1 | |
| 15 | 69J-12230-00-00 | TENSIONER ASSY, CAM CHAIN 2 | 1 | |
| 16 | 97013-06025-00 | BOLT | 4 | |
| 17 | 93605-10108-00 | PIN, DOWEL | 2 | |
| 18 | 69J-11537-00-00 | GEAR, DRIVEN | 2 | |
| 19 | 90119-10M06-00 | BOLT, WITH WASHER | 2 | |
| 20 | 93102-38M59-00 | .OIL SEAL | 2 | |
| 21 | 69J-46241-00-00 | BELT | 1 | |
| 22 | 63P-11590-00-00 | TENSIONER ASSY | 1 | |
| 23 | 69J-11536-00-00 | GEAR, DRIVE | 1 | |
| 24 | 90110-05010-00 | BOLT, HEXAGON SOCKET HEAD | 4 | |
| 25 | 90280-04008-00 | KEY, WOODRUFF | 1 | |

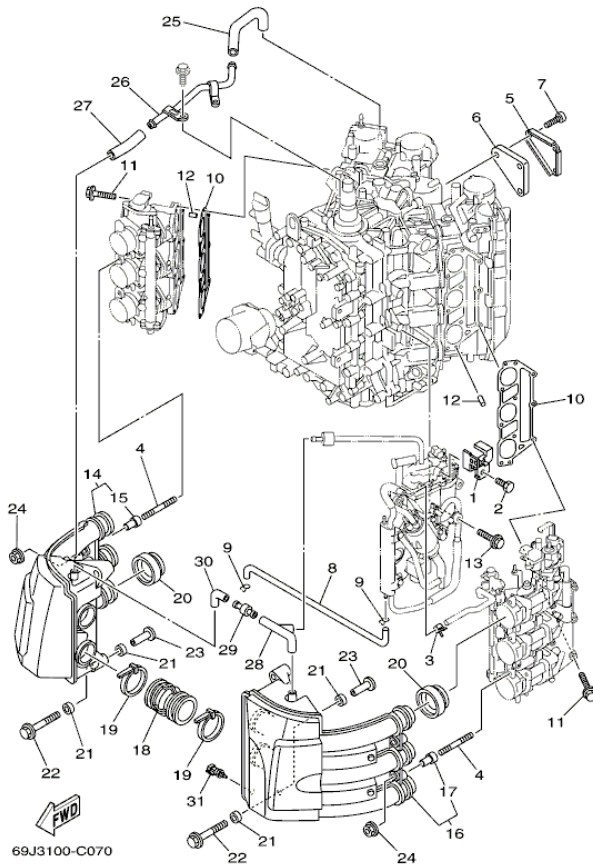
Part Notes

LF225TURD 2005 / VALVE

| PART NUMBER | NOTE TEXT |
|---|---|
| 69J-12119-00-00  | OEM: This part number is among the Top 100 Most Popular Marine Maintenance Parts as of August 2013. |

©2013 Yamaha Motor Corporation, U.S.A. All rights reserved.

LF225TURD 2005 / INTAKE 1



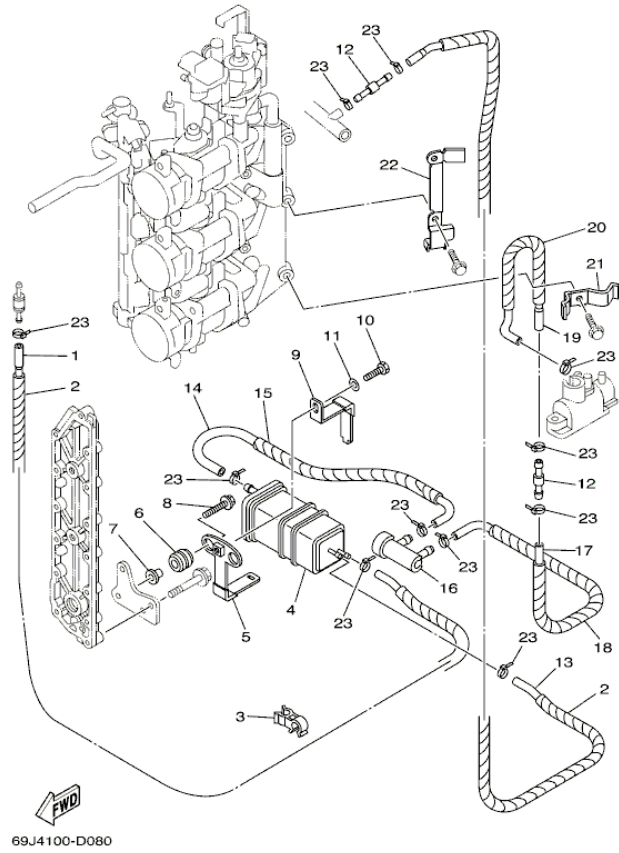
©2013 Yamaha Motor Corporation, U.S.A. All rights reserved.

Part List

LF225TURD 2005 / INTAKE 1

| REF - NO | PART NUMBER | PART NAME | QUANTITY | REMARKS |
|----------------|-----------------|-------------------------|----------|---------|
| 1 | 69J-14146-10-00 | PLATE | 1 | |
| 2 | 69J-14162-00-00 | BOLT, HOLDING | 1 | |
| 3 | 68V-24519-00-00 | CLIP | 1 | |
| 4 | 90116-06032-00 | BOLT, STUD | 4 | |
| 5 | 69J-1442A-00-00 | COVER, CLEANER CASE 3 | 1 | |
| 6 | 69J-14409-00-00 | DAMPER | 1 | |
| 7 | 97780-60620-00 | SCREW, TAPPING | 3 | |
| 8 | 69J-12483-00-00 | PIPE 3 | 1 | |
| 9 | 90467-09M03-00 | CLIP | 2 | |
| 10 | 69J-13645-00-00 | .GASKET, MANIFOLD 1 | 2 | |
| 11 | 90119-08022-00 | BOLT, WITH WASHER | 18 | |
| 12 | 91690-50014-00 | PIN, SPRING | 4 | |
| 13 | 90119-06M24-00 | BOLT, WITH WASHER | 4 | |
| 14 | 69J-14440-00-00 | SILENCER ASSY, INTAKE | 1 | |
| 15 | 90387-07005-00 | .COLLAR | 2 | |
| 16 | 69J-1444F-00-00 | SILENCER ASSY, INTAKE 2 | 1 | |
| 17 | 90387-07005-00 | .COLLAR | 2 | |
| 18 | 69J-14419-00-00 | PIPE | 2 | |
| 19 | 90465-11M52-00 | CLAMP | 4 | |
| 20 | 69J-14457-00-00 | SEAL | 6 | |
| 21 | 90386-08001-00 | BUSH | 8 | |
| 22 | 90119-06036-00 | BOLT, WITH WASHER | 4 | |
| 23 | 90387-06038-00 | COLLAR | 4 | |
| 24 | 90179-06M28-00 | NUT | 4 | |
| 25 | 69J-15373-00-00 | PIPE, BREATHER | 1 | |
| 26 | 69J-15394-00-00 | PIPE, OIL VENT | 1 | |
| 27 | 69J-15393-00-00 | PIPE, BREATHER 2 | 1 | |
| 28 | 69J-15397-00-00 | PIPE | 1 | |
| 29 | 5EL-14467-00-00 | SEAL | 1 | |
| 30 | 69J-14348-00-00 | PIPE 1 | 1 | |
| 31 | 65L-85886-00-00 | THERMOSENSOR | 1 | |

LF225TURD 2005 / INTAKE 2



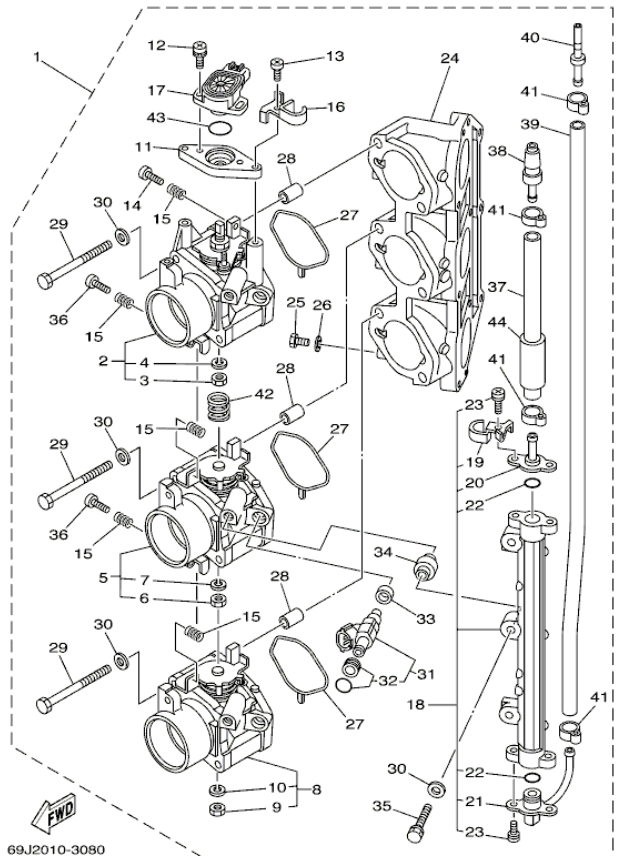
©2013 Yamaha Motor Corporation, U.S.A. All rights reserved.

Part List

LF225TURD 2005 / INTAKE 2

| REF - NO | PART NUMBER | PART NAME | QUANTITY | REMARKS |
|----------------|-----------------|--------------------|----------|---------|
| 1 | 60L-24315-00-00 | PIPE 5 | 1 | |
| 2 | 90448-10005-00 | HOSE, WITH UNION | 2 | |
| 3 | 90464-12004-00 | CLAMP | 1 | |
| 4 | 69J-24170-00-00 | CANISTER ASSY | 1 | |
| 5 | 69J-2134X-00-00 | BRACKET, CANISTER | 1 | |
| 6 | 90480-10M23-00 | GROMMET | 2 | |
| 7 | 90387-06M60-00 | COLLAR | 2 | |
| 8 | 90119-06M59-00 | BOLT, WITH WASHER | 2 | |
| 9 | 69J-2419A-00-00 | HOLDER | 1 | |
| 10 | 97095-06016-00 | BOLT | 1 | |
| 11 | 92995-06600-00 | WASHER | 1 | |
| 12 | 6E5-24379-00-00 | PIPE, JOINT 4 | 2 | |
| 13 | 60L-24314-00-00 | PIPE 4 | 1 | |
| 14 | 60L-24313-00-00 | PIPE 3 | 1 | |
| 15 | 90448-12003-00 | HOSE, WITH UNION | 1 | |
| 16 | 69J-24502-00-00 | FILTER, FUEL | 1 | |
| 17 | 60L-24312-00-00 | PIPE 2 | 1 | |
| 18 | 90448-12001-00 | HOSE, WITH UNION | 1 | |
| 19 | 60L-24311-00-00 | PIPE, FUEL 1 | 1 | |
| 20 | 90448-10002-00 | HOSE, WITH UNION | 1 | |
| 21 | 60L-24367-00-00 | CLAMP, FUEL PIPE 2 | 1 | |
| 22 | 60L-24366-00-00 | CLAMP, FUEL PIPE 1 | 1 | |
| 23 | 90465-11M10-00 | CLAMP | 11 | |

LF225TURD 2005 / THROTTLE BODY ASSY 1



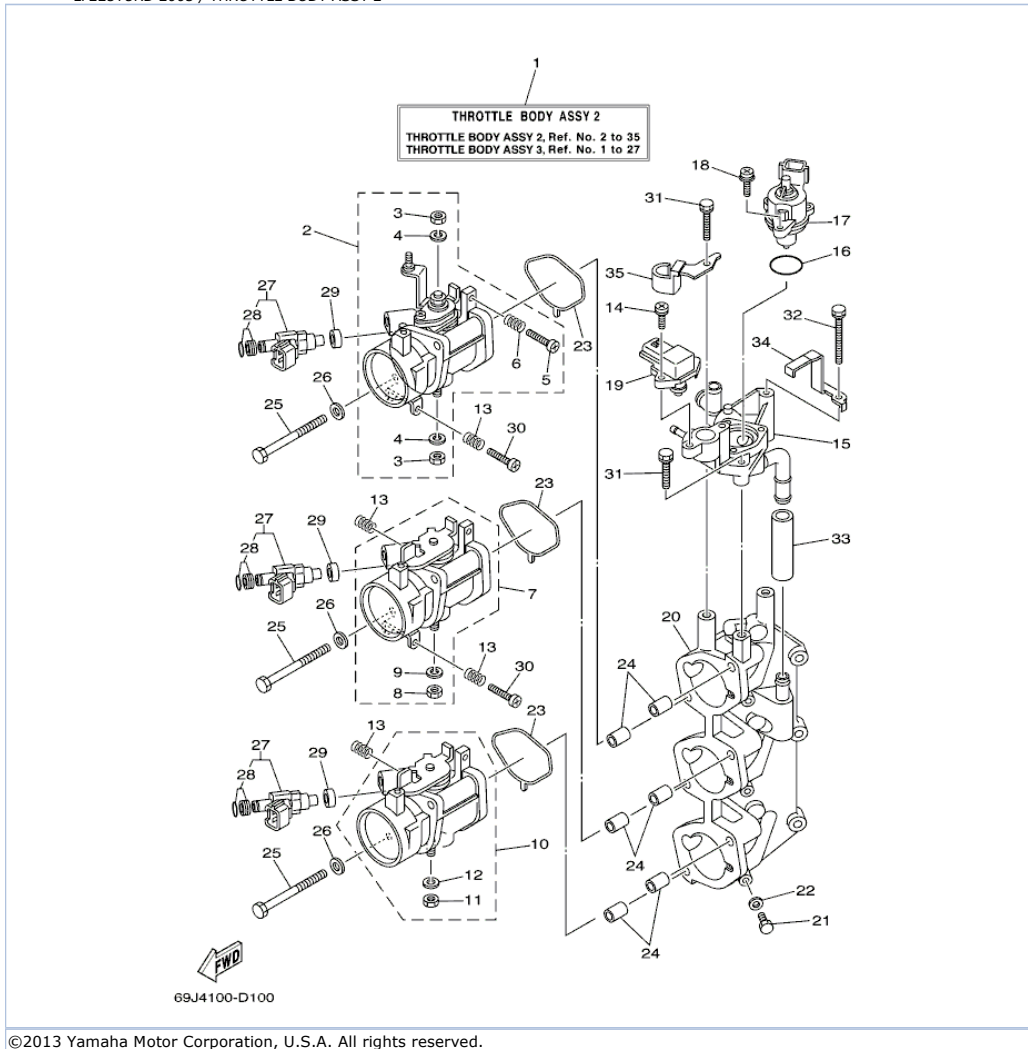
©2013 Yamaha Motor Corporation, U.S.A. All rights reserved.

Part List

LF225TURD 2005 / THROTTLE BODY ASSY 1

| REF - NO | PART NUMBER | PART NAME | QUANTITY | REMARKS |
|----------------|-----------------|-------------------------|----------|---------------|
| 1 | 69J-13750-00-00 | THROTTLE BODY ASSY | 1 | UR F225/LF225 |
| 2 | 69J-13751-00-00 | .BODY, THROTTLE 1 | 1 | UR F225/LF225 |
| 3 | 3CF-14594-00-00 | ..NUT | 1 | |
| 4 | 92990-08100-00 | ..WASHER, SPRING | 1 | |
| 5 | 69J-13753-00-00 | .BODY, THROTTLE 3 | 1 | UR F225/LF225 |
| 6 | 3CF-14594-00-00 | ..NUT | 1 | |
| 7 | 92990-08100-00 | ..WASHER, SPRING | 1 | |
| 8 | 69J-13755-00-00 | .BODY, THROTTLE 5 | 1 | UR F225/LF225 |
| 9 | 3CF-14594-00-00 | ..NUT | 1 | |
| 10 | 92990-08100-00 | ..WASHER, SPRING | 1 | |
| 11 | 69J-13576-00-00 | .SPACER | 1 | |
| 12 | 68V-81145-01-00 | .SCREW 1 | 2 | |
| 13 | 68V-14565-00-00 | .SCREW | 2 | |
| 14 | 68V-14323-00-00 | .SCREW, AIR ADJUSTING | 1 | |
| 15 | 68V-14331-00-00 | .SPRING, THROTTLE VALVE | 5 | |
| 16 | 69J-14261-00-00 | .HOLDER | 1 | |
| 17 | 69J-85885-00-00 | .THROTTLE SENSOR ASSY | 1 | |
| 18 | 69J-13160-00-00 | .DELIVERY PIPE ASSY 1 | 1 | |
| 19 | 69J-14261-00-00 | ..HOLDER | 1 | |
| 20 | 69J-14295-00-00 | ..PIPE, FUEL | 1 | |
| 21 | 69J-14251-00-00 | ..NIPPLE | 1 | |
| 22 | 68V-14397-00-00 | ..O-RING | 2 | |
| 23 | 68V-81147-00-00 | ..SCREW 3 | 4 | |
| 24 | 69J-13641-00-00 | .MANIFOLD 1 | 1 | |
| 25 | 97095-06010-00 | .BOLT | 3 | |
| 26 | 90430-06014-00 | .GASKET | 3 | |
| 27 | 69J-13557-00-00 | .GASKET | 3 | |
| 28 | 99530-10114-00 | .PIN, DOWEL | 6 | |
| 29 | 69J-14496-00-00 | .BOLT | 6 | |
| 30 | 68V-14475-00-00 | .WASHER | 9 | |
| 31 | 69J-13761-00-00 | .INJECTOR | 3 | |
| 32 | 68V-1410B-00-00 | ..PACKING KIT | 1 | |
| 33 | 68V-13766-00-00 | .RUBBER, INJECTOR | 3 | |
| 34 | 68V-14264-00-00 | .COLLAR | 3 | |
| 35 | 68V-14428-00-00 | .BOLT | 3 | |
| 36 | 69J-14321-00-00 | .SCREW, THROTTLE | 2 | |
| 37 | 69J-13973-00-00 | .PIPE, FUEL 3 | 1 | |
| 38 | 68F-24300-00-00 | .FUEL PIPE JOINT | 1 | |
| 39 | 69J-13972-00-00 | .PIPE, FUEL 2 | 1 | |
| 40 | 69J-24381-00-00 | .SET BAR, FUEL JOINT | 1 | |
| 41 | 68V-24387-00-00 | .CLIP | 4 | |
| 42 | 69J-14286-00-00 | .SPRING | 1 | UR F225/LF225 |
| 43 | 68V-8182L-00-00 | .O-RING 1 | 1 | |
| 44 | 69J-14149-00-00 | .PIPE | 1 | |

LF225TURD 2005 / THROTTLE BODY ASSY 2



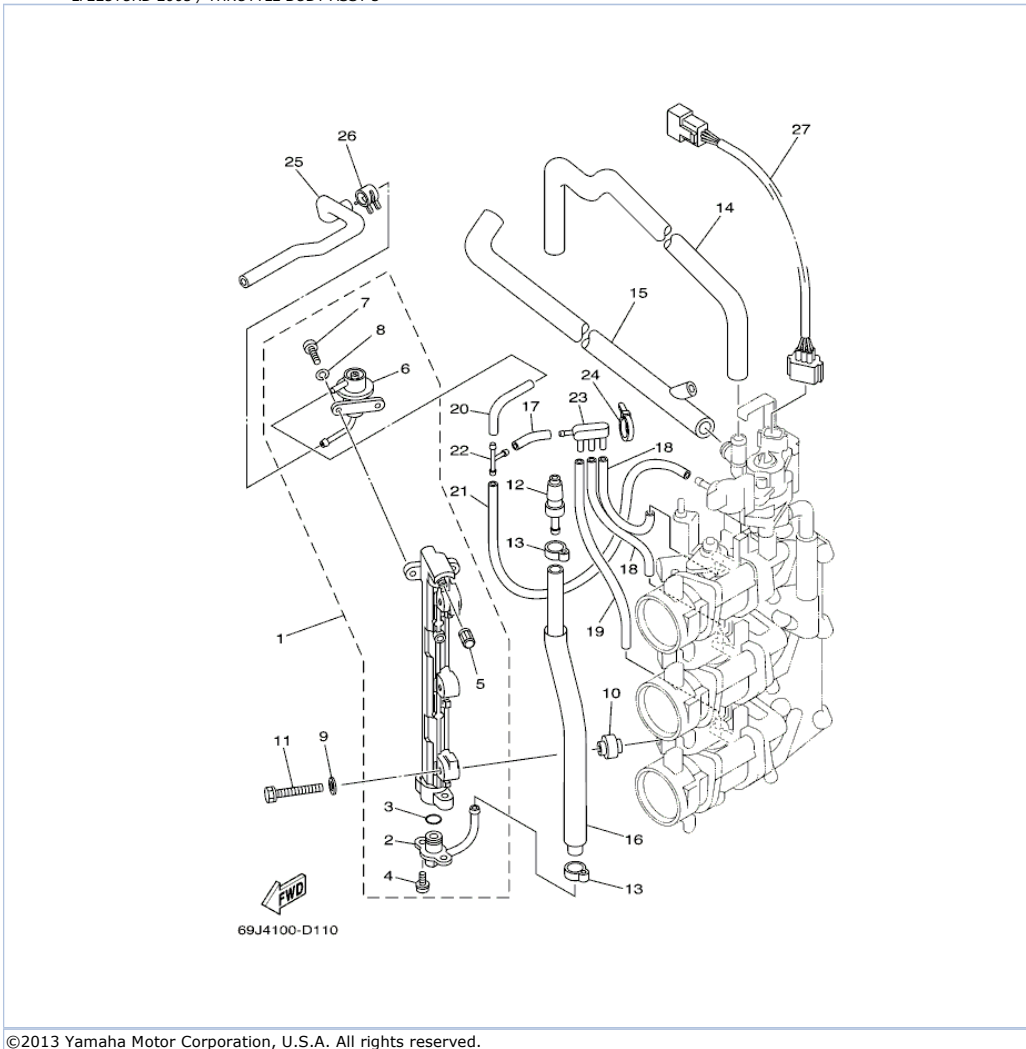
©2013 Yamaha Motor Corporation, U.S.A. All rights reserved.

Part List

LF225TURD 2005 / THROTTLE BODY ASSY 2

| REF - NO | PART NUMBER | PART NAME | QUANTITY | REMARKS |
|----------------|-----------------|-------------------------|----------|---------------|
| 1 | 69J-1375A-10-00 | THROTTLE BODY ASSY 2 | 1 | UR F225/LF225 |
| 2 | 69J-13752-00-00 | BODY, THROTTLE 2 | 1 | UR F225/LF225 |
| 3 | 3CF-14594-00-00 | .NUT | 2 | |
| 4 | 92990-08100-00 | .WASHER, SPRING | 2 | |
| 5 | 68V-14323-00-00 | .SCREW, AIR ADJUSTING | 1 | |
| 6 | 68V-14331-00-00 | .SPRING, THROTTLE VALVE | 1 | |
| 7 | 69J-13754-00-00 | BODY, THROTTLE 4 | 1 | UR F225/LF225 |
| 8 | 3CF-14594-00-00 | .NUT | 1 | |
| 9 | 92990-08100-00 | .WASHER, SPRING | 1 | |
| 10 | 69J-13756-00-00 | BODY, THROTTLE 6 | 1 | UR F225/LF225 |
| 11 | 3CF-14594-00-00 | .NUT | 1 | |
| 12 | 92990-08100-00 | .WASHER, SPRING | 1 | |
| 13 | 68V-14331-00-00 | .SPRING, THROTTLE VALVE | 4 | |
| 14 | 68V-81147-00-00 | SCREW 3 | 2 | |
| 15 | 69J-14960-00-00 | BODY ASSY | 1 | |
| 16 | 68V-13473-00-00 | O-RING | 1 | |
| 17 | 68V-1312A-00-00 | VALVE, CONTROL | 1 | |
| 18 | 68V-81146-01-00 | SCREW 2 | 3 | |
| 19 | 68V-82380-00-00 | SENSOR, PRESSURE | 1 | |
| 20 | 69J-13642-00-00 | MANIFOLD 2 | 1 | |
| 21 | 97095-06010-00 | BOLT | 3 | |
| 22 | 90430-06014-00 | GASKET | 3 | |
| 23 | 69J-13557-00-00 | .GASKET | 3 | |
| 24 | 99530-10114-00 | PIN, DOWEL | 6 | |
| 25 | 69J-14496-00-00 | BOLT | 6 | |
| 26 | 68V-14475-00-00 | WASHER | 6 | |
| 27 | 69J-13761-00-00 | INJECTOR | 3 | |
| 28 | 68V-1410B-00-00 | .PACKING KIT | 1 | |
| 29 | 68V-13766-00-00 | RUBBER, INJECTOR | 3 | |
| 30 | 69J-14321-00-00 | .SCREW, THROTTLE | 2 | |
| 31 | 69J-13573-00-00 | BOLT 1 | 2 | |
| 32 | 69J-13574-00-00 | BOLT 2 | 1 | |
| 33 | 69J-13547-00-00 | HOSE 3 | 1 | |
| 34 | 69J-14159-00-00 | CLIP | 1 | |
| 35 | 69J-14255-00-00 | PLATE | 1 | |

LF225TURD 2005 / THROTTLE BODY ASSY 3

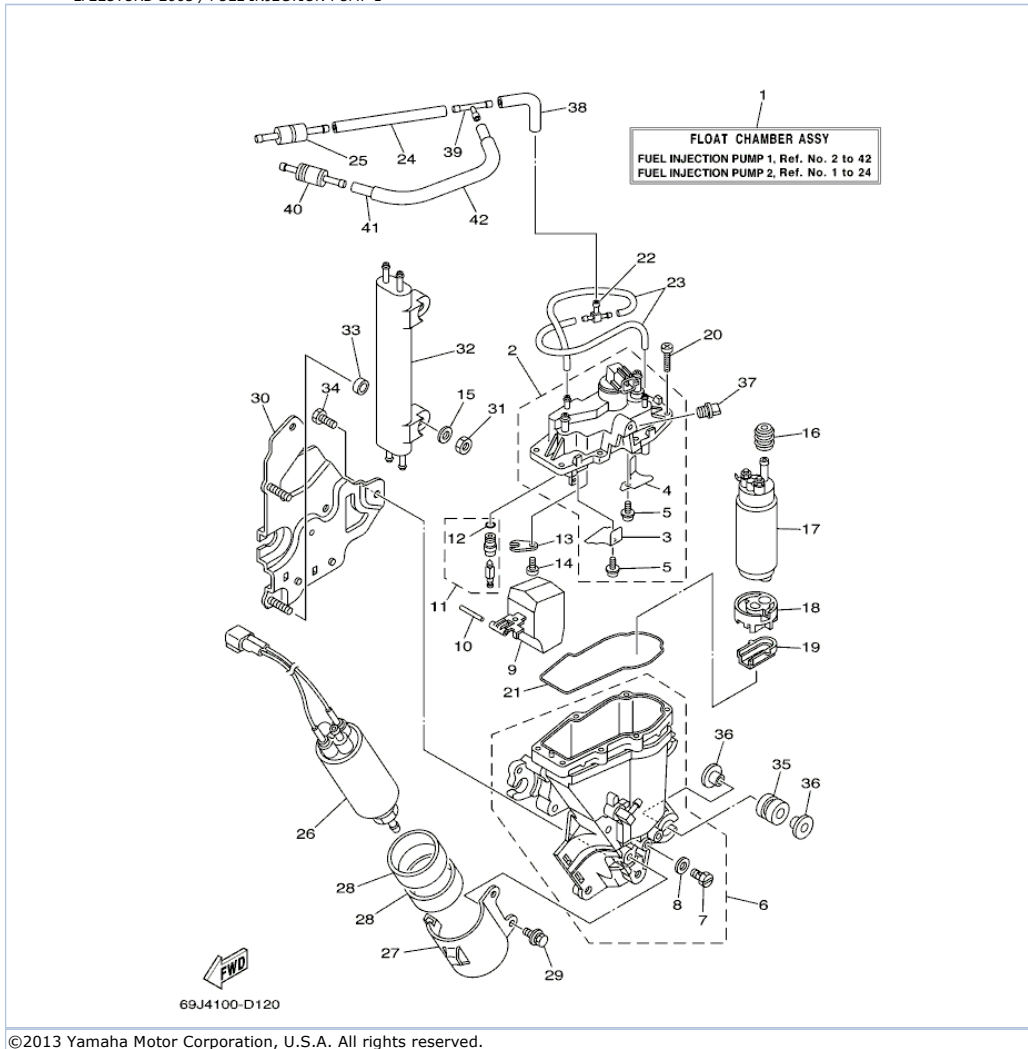


Part List

LF225TURD 2005 / THROTTLE BODY ASSY 3

| REF - NO | PART NUMBER | PART NAME | QUANTITY | REMARKS |
|----------------|-----------------|-------------------------|----------|---------|
| 1 | 69J-13170-00-00 | DELIVERY PIPE ASSY 2 | 1 | |
| 2 | 69J-13435-00-00 | .NIPPLE | 1 | |
| 3 | 68V-14397-00-00 | .O-RING | 1 | |
| 4 | 68V-81147-00-00 | .SCREW 3 | 2 | |
| 5 | 68V-14225-00-00 | .CAP | 1 | |
| 6 | 69J-13906-00-00 | .REGULATOR, PRESSURE | 1 | |
| 7 | 68V-14565-00-00 | .SCREW | 2 | |
| 8 | 68V-14356-00-00 | .WASHER, SPRING | 2 | |
| 9 | 68V-14475-00-00 | WASHER | 3 | |
| 10 | 68V-14264-00-00 | COLLAR | 3 | |
| 11 | 68V-14428-00-00 | BOLT | 3 | |
| 12 | 68F-24300-00-00 | FUEL PIPE JOINT | 1 | |
| 13 | 68V-24387-00-00 | .CLIP | 2 | |
| 14 | 69J-13546-00-00 | HOSE 2 | 1 | |
| 15 | 60L-24317-00-00 | PIPE 7 | 1 | |
| 16 | 69J-13974-00-00 | PIPE, FUEL 4 | 1 | |
| 17 | 68V-13544-00-00 | HOSE, VACUUM SENSING 2 | 1 | |
| 18 | 5JW-14349-00-00 | .PIPE | 2 | |
| 19 | 69J-13542-00-00 | HOSE, VACUUM SENSING 1 | 1 | |
| 20 | 69J-13532-00-00 | .HOSE, VACUUM SENSING 3 | 1 | |
| 21 | 69J-13533-00-00 | HOSE, VACUUM SENSING 4 | 1 | |
| 22 | 68V-24377-00-00 | PIPE, JOINT 2 | 1 | |
| 23 | 69J-13595-00-00 | JOINT | 1 | |
| 24 | 69J-14139-00-00 | CLIP, PIPE | 1 | |
| 25 | 69J-13975-00-00 | PIPE, FUEL 5 | 1 | |
| 26 | 68V-24519-00-00 | CLIP | 1 | |
| 27 | 69J-8259L-00-00 | WIRE HARNESS ASSY 1 | 1 | |

LF225TURD 2005 / FUEL INJECTION PUMP 1



©2013 Yamaha Motor Corporation, U.S.A. All rights reserved.


Part List

LF225TURD 2005 / FUEL INJECTION PUMP 1

| REF - NO | PART NUMBER | PART NAME | QUANTITY | REMARKS |
|----------------|-----------------|-----------------------|----------|---------|
| 1 | 69J-14180-20-00 | FLOAT CHAMBER ASSY | 1 | |
| 2 | 69J-14182-10-00 | COVER, FLOAT CHAMBER | 1 | |
| 3 | 69J-2411R-00-00 | .PLATE 1 | 1 | |
| 4 | 69J-2411T-00-00 | .PLATE 2 | 1 | |
| 5 | 4SV-24453-00-00 | .SCREW | 2 | |
| 6 | 69J-14181-00-00 | BODY, FLOAT CHAMBER 1 | 1 | |
| 7 | 266-14191-00-00 | .PLUG, DRAIN | 1 | |
| 8 | 59V-14962-00-00 | .WASHER | 1 | |
| 9 | 69J-14985-00-00 | FLOAT | 1 | |
| 10 | 68V-14386-00-00 | .PIN, FLOAT | 1 | |
| 11 | 69J-14546-00-00 | VALVE, NEEDLE | 1 | |
| 12 | 68V-13769-00-00 | .O-RING | 1 | |
| 13 | 68V-14255-00-00 | PLATE | 1 | |
| 14 | 98507-04008-00 | ..SCREW, PAN HEAD | 1 | |
| 15 | 68V-14357-00-00 | WASHER, PLAIN | 2 | |
| 16 | 68V-13781-10-00 | .DAMPER, PUMP | 1 | |
| 17 | 69J-13907-02-00 | FUEL PUMP COMP. | 1 | |
| 18 | 68V-13915-00-00 | FILTER | 1 | |
| 19 | 68V-13784-00-00 | COVER, PUMP | 1 | |
| 20 | 68V-14567-00-00 | SCREW | 7 | |
| 21 | 68V-14984-00-00 | GASKET, FLOAT CHAMBER | 1 | |
| 22 | 69J-24379-00-00 | .PIPE, JOINT 4 | 1 | |
| 23 | 69J-14148-00-00 | PIPE | 2 | |
| 24 | 69J-14197-00-00 | PIPE | 1 | |
| 25 | 69J-14989-00-00 | ORIFICE, AIR VENT | 1 | |
| 26 | 69J-24410-00-00 | FUEL PUMP ASSY | 1 | |
| 27 | 69J-24491-00-00 | BRACKET, FUEL PUMP | 1 | |
| 28 | 69J-24492-00-00 | BUSH, FUEL PUMP | 2 | |
| 29 | 69J-24592-00-00 | BOLT | 2 | |
| 30 | 69J-24422-10-00 | PLATE | 1 | |
| 31 | 69J-14164-00-00 | NUT, HOLDING | 2 | |
| 32 | 69J-21841-00-00 | COOLER | 1 | |
| 33 | 68V-14265-00-00 | COLLAR | 2 | |
| 34 | 69J-14446-00-00 | BOLT | 3 | |
| 35 | 69J-13593-00-00 | DAMPER | 4 | |
| 36 | 69J-13716-00-00 | .COLLAR | 8 | |
| 37 | 69J-14225-00-00 | CAP | 1 | |
| 38 | 60L-24321-00-00 | PIPE 10 | 1 | |
| 39 | 60L-24379-00-00 | PIPE, JOINT 4 | 1 | |
| 40 | 60L-13490-00-00 | RELIEF VALVE ASSY | 1 | |
| 41 | 60L-24316-00-00 | PIPE 6 | 1 | |
| 42 | 60L-24327-00-00 | PROTECTOR, PIPE | 1 | |

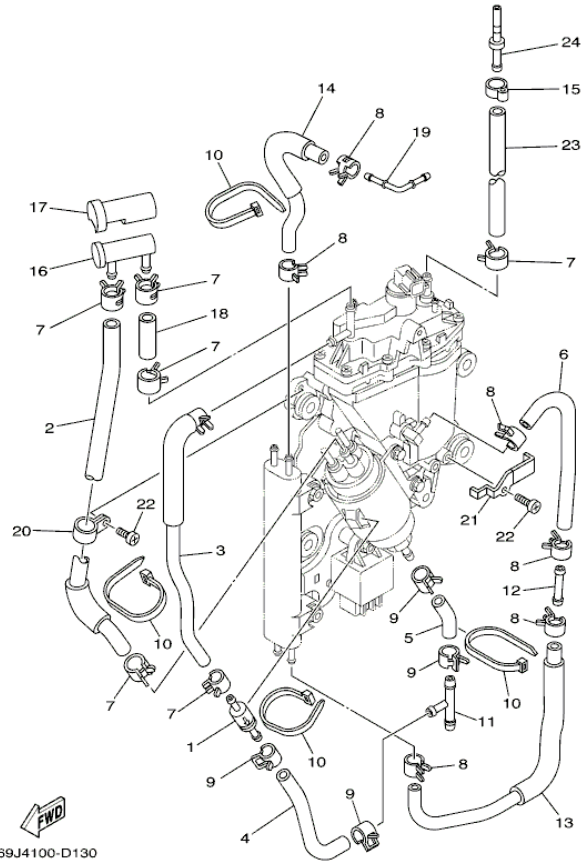
Part Notes

LF225TURD 2005 / FUEL INJECTION PUMP 1

| PART NUMBER | NOTE TEXT |
|---|---|
| 68V-14984-00-00  | OEM: This part number is among the Top 100 Most Popular Marine Maintenance Parts as of August 2013. |

©2013 Yamaha Motor Corporation, U.S.A. All rights reserved.

LF225TURD 2005 / FUEL INJECTION PUMP 2



©2013 Yamaha Motor Corporation, U.S.A. All rights reserved.


Part List

LF225TURD 2005 / FUEL INJECTION PUMP 2

| REF - NO | PART NUMBER | PART NAME | QUANTITY | REMARKS |
|----------|-----------------|---------------------|----------|---------|
| 1 | 69J-24460-00-00 | RELIEF VALVE ASSY | 1 | |
| 2 | 69J-24324-10-00 | PIPE 13 | 1 | |
| 3 | 69J-24322-10-00 | PIPE 11 | 1 | |
| 4 | 69J-24323-00-00 | PIPE 12 | 1 | |
| 5 | 69J-24317-00-00 | PIPE 7 | 1 | |
| 6 | 69J-24316-00-00 | PIPE 6 | 1 | |
| 7 | 68V-13577-00-00 | CLIP | 6 | |
| 8 | 68V-24519-00-00 | CLIP | 6 | |
| 9 | 69J-14137-00-00 | CLIP | 4 | |
| 10 | 68V-2481H-00-00 | CLAMP | 4 | |
| 11 | 6E5-24378-00-00 | PIPE, JOINT 3 | 1 | |
| 12 | 69J-24461-00-00 | PIPE, JOINT | 1 | |
| 13 | 69J-24315-00-00 | PIPE 5 | 1 | |
| 14 | 69J-13976-00-00 | PIPE, FUEL 6 | 1 | |
| 15 | 68V-24387-00-00 | .CLIP | 1 | |
| 16 | 69J-24501-00-00 | FILTER, FUEL | 1 | |
| 17 | 69J-24599-10-00 | CAP | 1 | |
| 18 | 69J-24325-00-00 | PIPE 14 | 1 | |
| 19 | 69J-1410F-00-00 | NIPPLE 1 | 1 | |
| 20 | 69J-24366-00-00 | CLAMP, FUEL PIPE 1 | 1 | |
| 21 | 69J-24367-00-00 | CLAMP, FUEL PIPE 2 | 1 | |
| 22 | 98582-05008-00 | SCREW, PAN HEAD | 2 | |
| 23 | 69J-13974-00-00 | PIPE, FUEL 4 | 1 | |
| 24 | 69J-24381-00-00 | SET BAR, FUEL JOINT | 1 | |

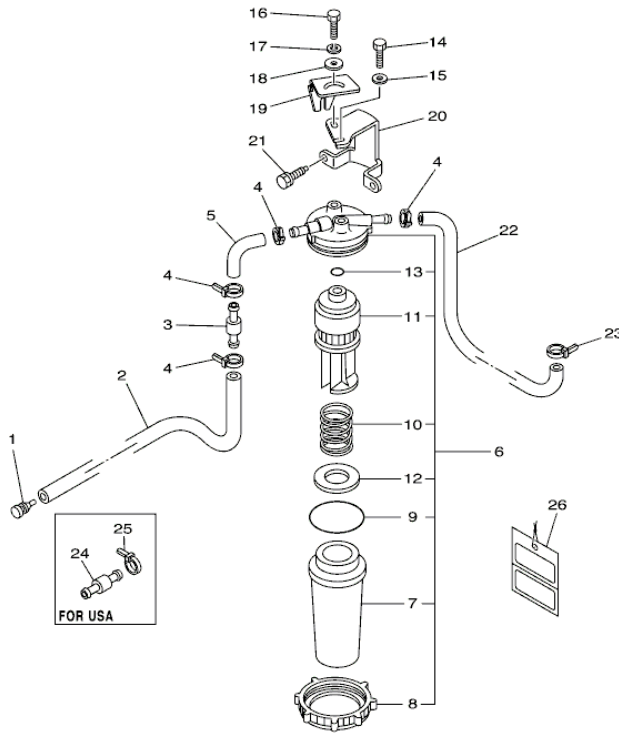
Part Notes

LF225TURD 2005 / FUEL INJECTION PUMP 2

| PART NUMBER | NOTE TEXT |
|---|---|
| 69J-24501-00-00  | OEM: This part number is among the Top 100 Most Popular Marine Maintenance Parts as of August 2013. |

©2013 Yamaha Motor Corporation, U.S.A. All rights reserved.

LF225TURD 2005 / FUEL 1



FOR USA



69J3100-C130

©2013 Yamaha Motor Corporation, U.S.A. All rights reserved.





Part List

LF225TURD 2005 / FUEL 1

| REF - NO | PART NUMBER | PART NAME | QUANTITY | REMARKS |
|----------|-----------------|---------------------|----------|---------|
| 1 | 689-85547-00-00 | DAMPER | 1 | |
| 2 | 90445-13004-00 | HOSE (L2360) | 1 | |
| 3 | 6R3-24377-00-00 | PIPE, JOINT 2 | 1 | |
| 4 | 90465-11M10-00 | CLAMP | 4 | |
| 5 | 61A-24311-00-00 | PIPE, FUEL 1 | 1 | |
| 6 | 65L-24560-00-00 | FILTER ASSY | 1 | |
| 7 | 61A-24521-00-00 | .CUP, FILTER | 1 | |
| 8 | 65L-24531-01-00 | .NUT | 1 | |
| 9 | 61A-24564-00-00 | .O-RING | 1 | |
| 10 | 65L-24577-00-00 | .SPRING | 1 | |
| 11 | 65L-24563-00-00 | .ELEMENT, FILTER | 1 | |
| 12 | 61A-24469-00-00 | .FLOAT, WATER LEVEL | 1 | |
| 13 | 65L-24564-00-00 | .O-RING | 1 | |
| 14 | 97095-06014-00 | BOLT | 1 | |
| 15 | 92995-06600-00 | WASHER | 1 | |
| 16 | 97095-06016-00 | BOLT | 1 | |
| 17 | 92995-06100-00 | WASHER, SPRING | 1 | |
| 18 | 90201-06068-00 | WASHER, PLATE | 1 | |
| 19 | 65L-24558-00-00 | HOLDER, FILTER | 1 | |
| 20 | 69J-24566-00-00 | BRACKET, FILTER | 1 | |
| 21 | 90119-06037-00 | BOLT, WITH WASHER | 2 | |
| 22 | 69J-24313-00-00 | PIPE 3 | 1 | |
| 23 | 90465-11M10-00 | CLAMP | 1 | |
| 24 | 6R3-24377-10-00 | PIPE, JOINT 2 | 1 | |
| 25 | 90465-11M10-00 | CLAMP | 1 | |
| 26 | 61H-2819R-31-00 | TAG, WARNING | 1 | |

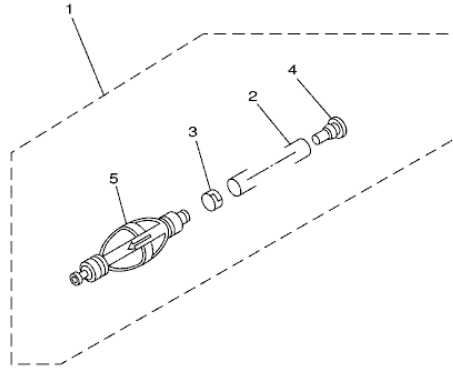
Part Notes

LF225TURD 2005 / FUEL 1

| PART NUMBER | NOTE TEXT |
|---|---|
| 61A-24564-00-00  | OEM: This part number is among the Top 100 Most Popular Marine Maintenance Parts as of August 2013. |
| 65L-24563-00-00  | OEM: This part number is among the Top 100 Most Popular Marine Maintenance Parts as of August 2013. |
| 65L-24564-00-00  | OEM: This part number is among the Top 100 Most Popular Marine Maintenance Parts as of August 2013. |
| 92995-06100-00  | OEM: This part number is among the Top 100 Most Popular Marine Maintenance Parts as of August 2013. |

©2013 Yamaha Motor Corporation, U.S.A. All rights reserved.

LF225TURD 2005 / FUEL 2



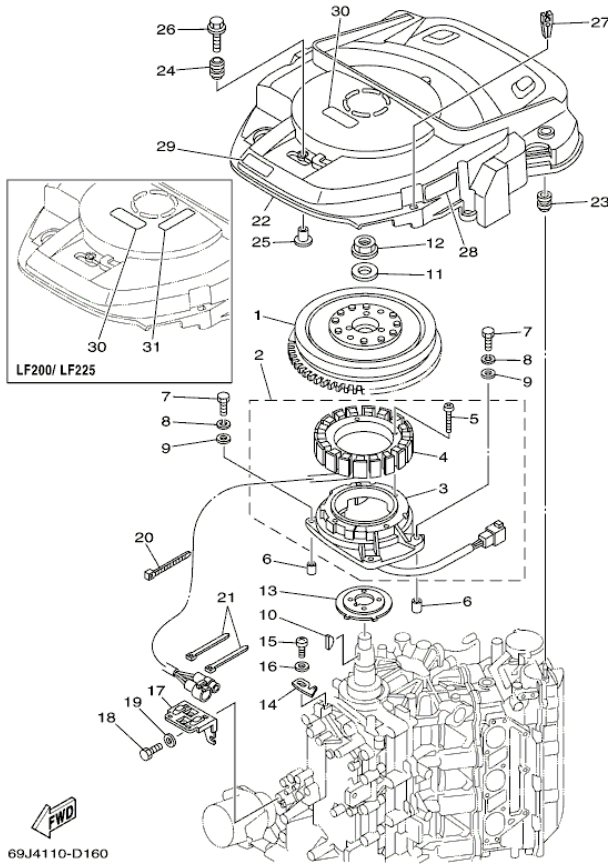
©2013 Yamaha Motor Corporation, U.S.A. All rights reserved.

Part List

LF225TURD 2005 / FUEL 2

| REF - NO | PART NUMBER | PART NAME | QUANTITY | REMARKS |
|----------------|-----------------|-------------------|----------|---------|
| 1 | 6Y2-24307-50-00 | FUEL PIPE COMP. 2 | 1 | AP |
| 2 | 90445-13M01-00 | .HOSE (L2050) | 1 | |
| 3 | 6E5-24351-51-00 | .BAND 1 | 1 | |
| 4 | 90480-06M19-00 | .GROMMET | 1 | |
| 5 | 6Y2-24360-60-00 | .PRIMER PUMP ASSY | 1 | |

LF225TURD 2005 / GENERATOR



©2013 Yamaha Motor Corporation, U.S.A. All rights reserved.


Part List

LF225TURD 2005 / GENERATOR

| REF - NO | PART NUMBER | PART NAME | QUANTITY | REMARKS |
|----------|-----------------|-----------------------------|----------|-------------|
| 1 | 69J-81450-10-00 | ROTOR ASSY | 1 | |
| 2 | 69J-81460-01-00 | BASE ASSY | 1 | |
| 3 | 69J-85580-00-00 | .COIL, PULSER | 1 | |
| 4 | 69J-81410-10-00 | .STATOR ASSY | 1 | |
| 5 | 63D-81345-20-00 | .SCREW, WITH WASHER (M6X30) | 4 | |
| 6 | 99530-08012-00 | PIN, DOWEL | 2 | |
| 7 | 97095-06035-00 | BOLT | 4 | |
| 8 | 92995-06100-00 | WASHER, SPRING | 4 | |
| 9 | 92995-06600-00 | WASHER | 4 | |
| 10 | 90280-05015-00 | KEY, WOODRUFF | 1 | |
| 11 | 90201-24014-00 | WASHER, PLATE | 1 | |
| 12 | 90179-24002-00 | NUT | 1 | |
| 13 | 69J-81673-00-00 | ROTOR | 1 | |
| 14 | 67F-81332-00-00 | PLATE, TIMING | 1 | |
| 15 | 97885-06010-00 | SCREW, PAN HEAD | 1 | |
| 16 | 92995-06600-00 | WASHER | 1 | |
| 17 | 69J-8132G-00-00 | PLATE | 1 | |
| 18 | 97095-06016-00 | BOLT | 1 | |
| 19 | 92995-06600-00 | WASHER | 1 | |
| 20 | 90465-13M18-00 | CLAMP | 1 | |
| 21 | 90465-14M66-00 | CLAMP | 2 | |
| 22 | 69J-81337-00-00 | COVER, FLYWHEEL | 1 | |
| 23 | 663-82317-01-00 | DAMPER, IGNITION COIL | 2 | |
| 24 | 6A0-82317-00-00 | DAMPER, IGNITION COIL | 3 | |
| 25 | 624-42542-00-00 | PIPE | 3 | |
| 26 | 90119-06M59-00 | BOLT, WITH WASHER | 3 | |
| 27 | 67F-2812A-00-00 | .PULLER, FUSE | 1 | |
| 28 | 69J-81919-20-00 | GRAPHIC, REGULATOR | 1 | |
| 29 | 60L-13437-40-00 | MARK, CAUTION | 1 | |
| 30 | 6A1-83625-41-00 | MARK 5 | 1 | |
| 31 | 6K1-83623-41-00 | MARK 3 | 1 | LF200/LF225 |

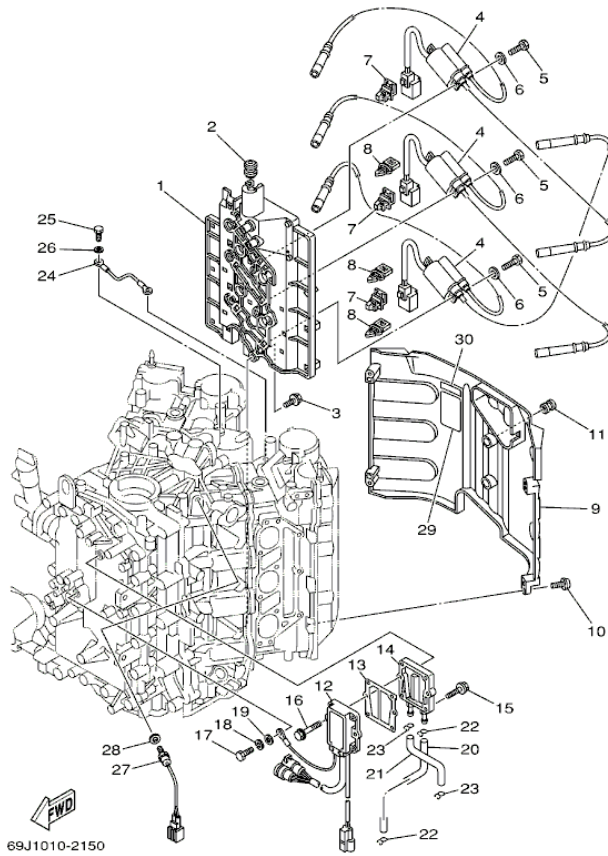
Part Notes

LF225TURD 2005 / GENERATOR

| PART NUMBER | NOTE TEXT |
|--|---|
| 92995-06100-00  | OEM: This part number is among the Top 100 Most Popular Marine Maintenance Parts as of August 2013. |

©2013 Yamaha Motor Corporation, U.S.A. All rights reserved.

LF225TURD 2005 / ELECTRICAL 1



©2013 Yamaha Motor Corporation, U.S.A. All rights reserved.



Part List

LF225TURD 2005 / ELECTRICAL 1

| REF - NO | PART NUMBER | PART NAME | QUANTITY | REMARKS |
|----------------|-----------------|-------------------------------|----------|---------|
| 1 | 69J-82316-00-00 | BRACKET, IGNITION COIL | 1 | |
| 2 | 90480-09M21-00 | GROMMET | 1 | |
| 3 | 90119-06041-00 | BOLT, WITH WASHER | 6 | |
| 4 | 69J-82310-00-00 | IGNITION COIL ASSY | 3 | |
| 5 | 97095-06020-00 | BOLT | 6 | |
| 6 | 92995-06600-00 | WASHER | 6 | |
| 7 | 90464-12002-00 | .CLAMP | 3 | |
| 8 | 90464-07M56-00 | CLAMP | 3 | |
| 9 | 69J-82314-00-00 | COVER, IGNITION COIL | 1 | |
| 10 | 90110-06038-00 | BOLT, HEXAGON SOCKET HEAD | 4 | |
| 11 | 663-82317-01-00 | DAMPER, IGNITION COIL | 2 | |
| 12 | 69J-81960-11-00 | RECTIFIER & REGULATOR ASSY | 1 | |
| 13 | 69J-81975-A0-00 | PLATE, RECTIFIER FITTING | 1 | |
| 14 | 69J-81972-01-1S | COVER, RECTIFIER | 1 | |
| 15 | 90119-06MA3-00 | BOLT, WITH WASHER | 4 | |
| 16 | 90119-06MA5-00 | BOLT, WITH WASHER | 2 | |
| 17 | 97095-06020-00 | BOLT | 1 | |
| 18 | 92995-06100-00 | WASHER, SPRING | 1 | |
| 19 | 92995-06600-00 | WASHER | 1 | |
| 20 | 69J-12482-00-00 | PIPE 2 | 1 | |
| 21 | 69J-12481-00-00 | PIPE 1 | 1 | |
| 22 | 90467-09M03-00 | CLIP | 2 | |
| 23 | 90467-08M18-00 | CLIP | 2 | |
| 24 | 69J-82519-00-00 | WIRE, EARTH LEAD | 1 | |
| 25 | 97095-06012-00 | BOLT | 2 | |
| 26 | 92995-06600-00 | WASHER | 2 | |
| 27 | 61A-85790-00-00 | THERMOSENSOR ASSY | 1 | |
| 28 | 92990-10600-00 | WASHER, PLATE | 1 | |
| 29 | 69J-83626-00-00 | MARK 6 | 1 | |
| 30 | 67F-12138-40-00 | MARK, CAUTION | 1 | |

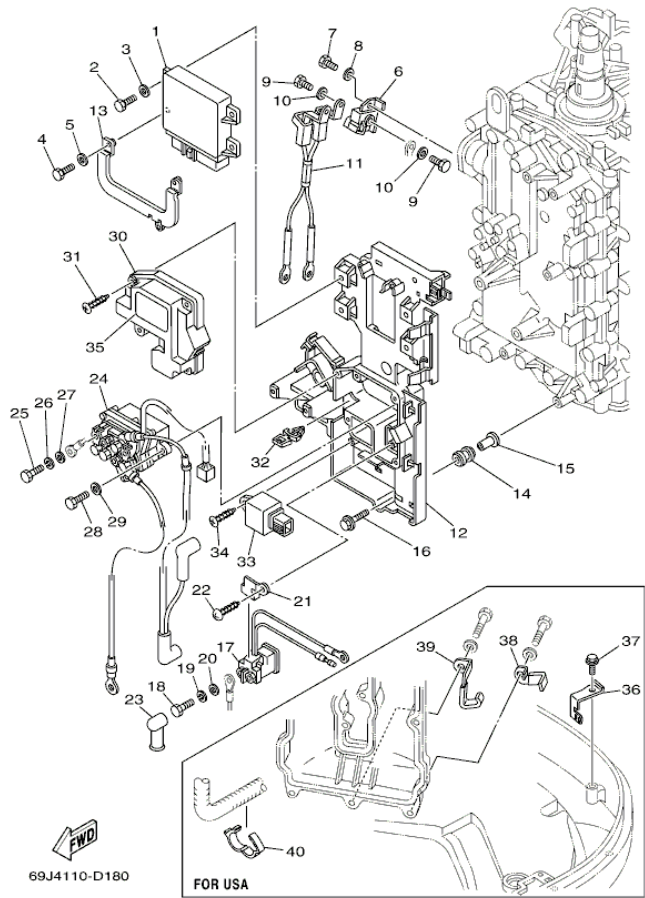
Part Notes

LF225TURD 2005 / ELECTRICAL 1

| PART NUMBER | | NOTE TEXT |
|----------------|---|---|
| 92995-06100-00 |  | OEM: This part number is among the Top 100 Most Popular Marine Maintenance Parts as of August 2013. |
| 92990-10600-00 |  | OEM: This part number is among the Top 100 Most Popular Marine Maintenance Parts as of August 2013. |

©2013 Yamaha Motor Corporation, U.S.A. All rights reserved.

LF225TURD 2005 / ELECTRICAL 2



©2013 Yamaha Motor Corporation, U.S.A. All rights reserved.



Part List

LF225TURD 2005 / ELECTRICAL 2

| REF - NO | PART NUMBER | PART NAME | QUANTITY | REMARKS |
|----------|-----------------|---------------------------|----------|---------------|
| 1 | 69J-8591A-30-00 | ENGINE CONTROL UNIT ASSY | 1 | UR F225/LF225 |
| 2 | 97095-06016-00 | BOLT | 2 | |
| 3 | 92995-06600-00 | WASHER | 2 | |
| 4 | 97095-06020-00 | BOLT | 2 | |
| 5 | 92995-06600-00 | WASHER | 2 | |
| 6 | 69J-81925-00-00 | TERMINAL | 1 | |
| 7 | 97095-08020-00 | BOLT | 2 | |
| 8 | 92995-08600-00 | WASHER | 2 | |
| 9 | 97095-06014-00 | BOLT | 2 | |
| 10 | 92995-06600-00 | WASHER | 2 | |
| 11 | 69J-82105-00-00 | WIRE HARNESS | 1 | |
| 12 | 69J-81948-00-00 | BRACKET | 1 | |
| 13 | 69J-82588-00-00 | PLATE | 1 | |
| 14 | 6A0-82317-00-00 | DAMPER, IGNITION COIL | 6 | |
| 15 | 624-42542-00-00 | PIPE | 6 | |
| 16 | 90119-06M59-00 | BOLT, WITH WASHER | 6 | |
| 17 | 68V-8194A-00-00 | RELAY | 1 | |
| 18 | 97095-06010-00 | BOLT | 2 | |
| 19 | 92995-06100-00 | WASHER, SPRING | 2 | |
| 20 | 92995-06600-00 | WASHER | 2 | |
| 21 | 68V-81953-00-00 | STAY, RELAY | 1 | |
| 22 | 97780-60620-00 | SCREW, TAPPING | 1 | |
| 23 | 6G5-82119-00-00 | COVER, LEAD WIRE | 1 | |
| 24 | 69J-81950-11-00 | RELAY ASSY | 1 | |
| 25 | 97095-06010-00 | BOLT | 2 | |
| 26 | 92995-06100-00 | WASHER, SPRING | 2 | |
| 27 | 92995-06600-00 | WASHER | 2 | |
| 28 | 97013-06025-00 | BOLT | 2 | |
| 29 | 92903-06600-00 | WASHER, PLATE | 2 | |
| 30 | 69J-81942-00-00 | COVER | 1 | |
| 31 | 90169-05M00-00 | SCREW, TRUSS HEAD TAPPING | 4 | |
| 32 | 90464-07M56-00 | CLAMP | 2 | |
| 33 | 68V-81950-00-00 | RELAY ASSY | 1 | |
| 34 | 97780-60625-00 | SCREW, TAPPING | 1 | |
| 35 | 69J-81919-00-00 | GRAPHIC, REGULATOR | 1 | |
| 36 | 69J-8366G-00-00 | BRACKET 3 | 1 | |
| 37 | 90109-06M86-00 | BOLT | 1 | |
| 38 | 90465-08049-00 | CLAMP | 1 | |
| 39 | 90462-08024-00 | CLAMP | 1 | |
| 40 | 90464-16003-00 | CLAMP | 1 | |

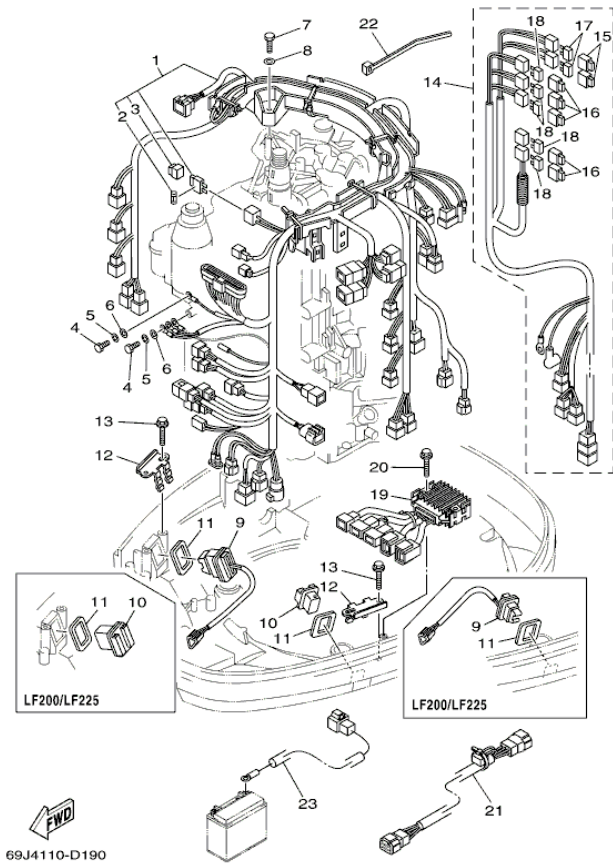
Part Notes

LF225TURD 2005 / ELECTRICAL 2

| PART NUMBER | NOTE TEXT |
|--|---|
| 92995-06100-00  | OEM: This part number is among the Top 100 Most Popular Marine Maintenance Parts as of August 2013. |
| 92995-06100-00  | OEM: This part number is among the Top 100 Most Popular Marine Maintenance Parts as of August 2013. |

©2013 Yamaha Motor Corporation, U.S.A. All rights reserved.

LF225TURD 2005 / ELECTRICAL 3



©2013 Yamaha Motor Corporation, U.S.A. All rights reserved.


Part List

LF225TURD 2005 / ELECTRICAL 3

| REF - NO | PART NUMBER | PART NAME | QUANTITY | REMARKS |
|----------|-----------------|-----------------------------|----------|---------|
| 1 | 69J-82590-50-00 | WIRE HARNESS ASSY | 1 | |
| 2 | 67F-82151-20-00 | .FUSE (5A) | 2 | |
| 3 | 69J-8215B-00-00 | .CAP (BROWN) | 1 | |
| 4 | 97095-06020-00 | BOLT | 2 | |
| 5 | 92995-06100-00 | WASHER, SPRING | 2 | |
| 6 | 92995-06600-00 | WASHER | 2 | |
| 7 | 97095-06035-00 | BOLT | 3 | |
| 8 | 92995-06600-00 | WASHER | 3 | |
| 9 | 69J-82563-00-00 | TRIM & TILT SWITCH ASSY | 1 | |
| 10 | 69J-42723-00-8D | COVER, BOTTOM | 1 | |
| 11 | 69J-82587-00-00 | GASKET | 2 | |
| 12 | 69J-83614-00-00 | BRACKET | 2 | |
| 13 | 90109-06M86-00 | BOLT | 4 | |
| 14 | 69J-8259N-10-00 | WIRE HARNESS ASSY 3 | 1 | |
| 15 | 67F-8215B-10-00 | .CAP (YELLOW) | 2 | |
| 16 | 67F-8215B-20-00 | .CAP (GREEN) | 5 | |
| 17 | 67F-82151-00-00 | .FUSE (20A) | 4 | |
| 18 | 67F-82151-10-00 | .FUSE (30A) | 10 | |
| 19 | 69J-83306-01-00 | DRIVE UNIT ASSY | 1 | |
| 20 | 90109-06M82-00 | BOLT | 2 | |
| 21 | 69J-81315-00-00 | LEAD WIRE ASSY | 1 | |
| 22 | 90465-13M18-00 | CLAMP | 6 | |
| 23 | 69J-81949-00-00 | WIRE, LEAD (ISOLATOR CABLE) | 1 | AP |

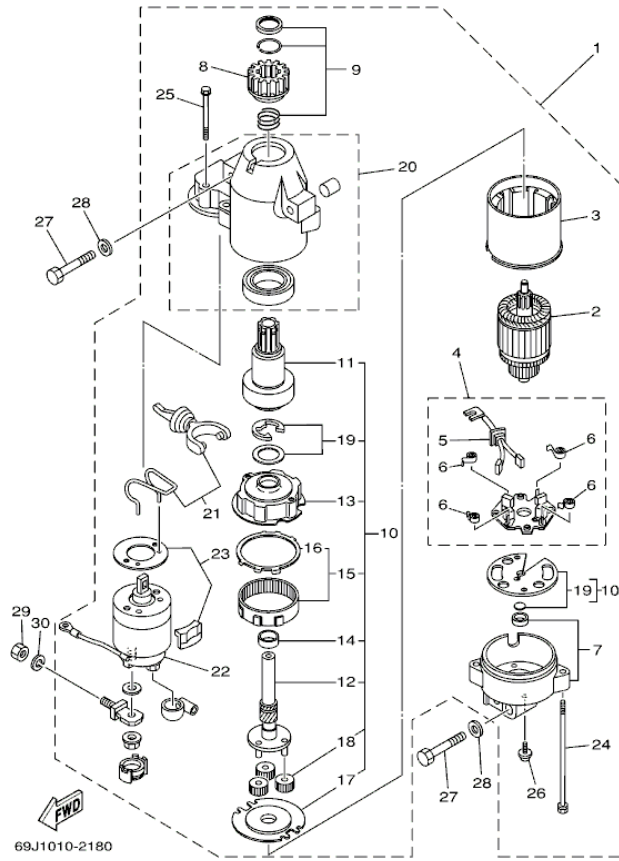
Part Notes

LF225TURD 2005 / ELECTRICAL 3

| PART NUMBER | NOTE TEXT |
|---|---|
| 92995-06100-00  | OEM: This part number is among the Top 100 Most Popular Marine Maintenance Parts as of August 2013. |

©2013 Yamaha Motor Corporation, U.S.A. All rights reserved.

LF225TURD 2005 / STARTING MOTOR



69J1010-2180

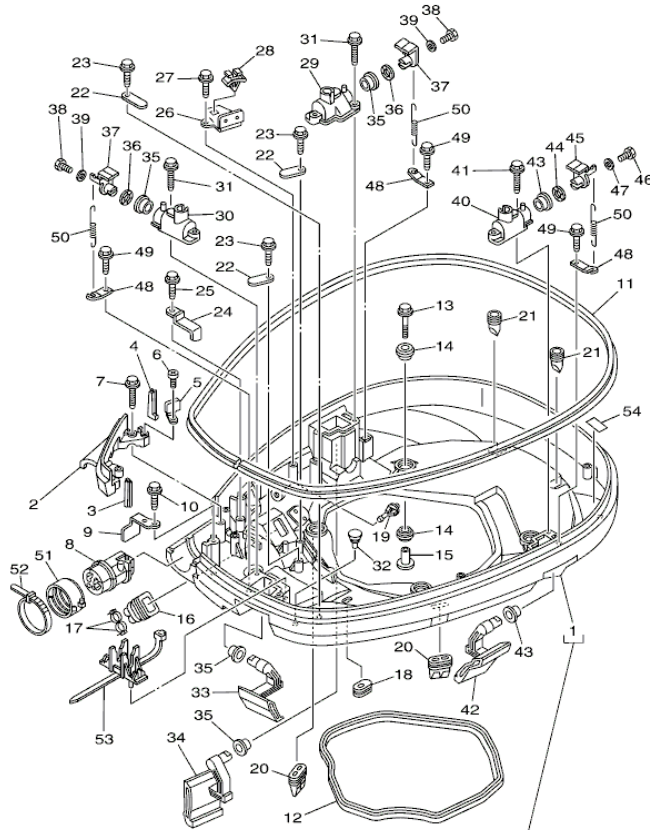
©2013 Yamaha Motor Corporation, U.S.A. All rights reserved.

Part List

LF225TURD 2005 / STARTING MOTOR

| REF - NO | PART NUMBER | PART NAME | QUANTITY | REMARKS |
|----------------|-----------------|-------------------------------|----------|---------|
| 1 | 69J-81800-00-00 | STARTING MOTOR ASSY | 1 | |
| 2 | 67F-81850-00-00 | .ARMATURE ASSY | 1 | |
| 3 | 67F-81810-00-00 | .STATOR ASSY | 1 | |
| 4 | 69J-81840-00-00 | .BRUSH HOLDER ASSY | 1 | |
| 5 | 69J-81801-00-00 | ..BRUSH SET | 1 | |
| 6 | 67F-81813-00-00 | ..SPRING, BRUSH | 4 | |
| 7 | 68F-81820-00-00 | .REAR BRACKET ASSY | 1 | |
| 8 | 67F-81808-00-00 | .PINION ASSY | 1 | |
| 9 | 67F-81857-00-00 | .PINION STOPPER SET | 1 | |
| 10 | 67F-81807-00-00 | .GEAR ASSY, STARTING MOTOR | 1 | |
| 11 | 67F-81832-00-00 | ..CLUTCH, OVER RUN | 1 | |
| 12 | 67F-81836-00-00 | ..SHAFT, PINION | 1 | |
| 13 | 67F-81821-00-00 | ..BRACKET, CENTER 1 | 1 | |
| 14 | 67F-81841-00-00 | ..BEARING | 1 | |
| 15 | 67F-81891-00-00 | ..GEAR, RING | 1 | |
| 16 | 67F-8183R-00-00 | ...GASKET | 1 | |
| 17 | 67F-81830-00-00 | ..BRACKET, CENTER 2 | 1 | |
| 18 | 60V-8183T-00-00 | .GEAR, IDLER | 3 | |
| 19 | 67F-81809-00-00 | ..WASHER KIT | 1 | |
| 20 | 69J-81842-00-00 | .COVER | 1 | |
| 21 | 69J-81839-00-00 | .LEVER ASSY | 1 | |
| 22 | 69J-81941-00-00 | .STARTER RELAY ASSY | 1 | |
| 23 | 69J-81869-00-00 | .COVER, DUST | 1 | |
| 24 | 6K7-81826-10-00 | .BOLT | 2 | |
| 25 | 69J-81828-00-00 | .SCREW 2 | 2 | |
| 26 | 67F-81846-00-00 | .SCREW | 2 | |
| 27 | 97013-08045-00 | BOLT | 3 | |
| 28 | 92903-08600-00 | WASHER, PLATE | 3 | |
| 29 | 95333-08600-00 | NUT | 1 | |
| 30 | 92903-08100-00 | WASHER, SPRING | 1 | |

LF225TURD 2005 / BOTTOM COWLING 1



BOTTOM COWLING 1, Ref. No. 7, 10, 27, 31, 41, 49
ELECTRICAL 2, Ref. No. 13, 20
CONTROL 1, Ref. No. 2

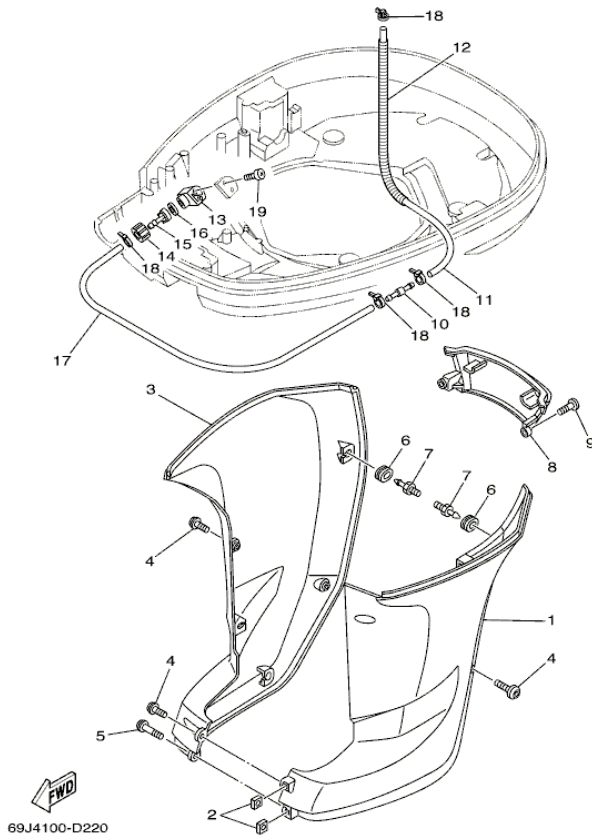


Part List

LF225TURD 2005 / BOTTOM COWLING 1

| REF - NO | PART NUMBER | PART NAME | QUANTITY | REMARKS |
|----------------|-----------------|----------------------|----------|---------|
| 1 | 69J-42710-01-8D | BOTTOM COWLING ASSY | 1 | |
| 2 | 69J-42738-02-5B | PLATE, FITTING | 1 | |
| 3 | 60L-42717-00-00 | RUBBER, SEAL 2 | 1 | |
| 4 | 60L-42718-00-00 | RUBBER, SEAL 3 | 1 | |
| 5 | 69J-42744-10-00 | STAY | 1 | |
| 6 | 97885-06010-00 | SCREW, PAN HEAD | 1 | |
| 7 | 90109-06M82-00 | BOLT | 2 | |
| 8 | 69J-42725-01-00 | GROMMET | 1 | |
| 9 | 64D-42738-10-5B | PLATE, FITTING | 1 | |
| 10 | 90109-06M82-00 | BOLT | 1 | |
| 11 | 69J-42615-00-00 | SEAL | 1 | |
| 12 | 69J-42716-00-00 | RUBBER, SEAL 1 | 1 | |
| 13 | 90119-08M22-00 | BOLT, WITH WASHER | 4 | |
| 14 | 90480-22M81-00 | GROMMET | 8 | |
| 15 | 90387-08M37-00 | COLLAR | 4 | |
| 16 | 6H1-42726-21-00 | GROMMET | 1 | |
| 17 | 90465-11M10-00 | CLAMP | 2 | |
| 18 | 61A-42727-00-00 | GROMMET | 1 | |
| 19 | 69J-44391-00-00 | NIPPLE, HOSE | 1 | |
| 20 | 69J-42717-00-00 | RUBBER, SEAL 2 | 2 | |
| 21 | 61A-42717-00-00 | RUBBER, SEAL 2 | 2 | |
| 22 | 6E5-82588-00-00 | PLATE | 3 | |
| 23 | 90109-06M81-00 | BOLT | 3 | |
| 24 | 90462-20001-00 | CLAMP | 1 | |
| 25 | 90109-06M86-00 | BOLT | 1 | |
| 26 | 69J-82554-01-00 | STAY, NEUTRAL SWITCH | 1 | |
| 27 | 90109-06M86-00 | BOLT | 1 | |
| 28 | 90464-09M47-00 | CLAMP | 1 | |
| 29 | 68F-42828-00-5B | PLATE, CLAMP | 1 | |
| 30 | 69J-42828-00-5B | PLATE, CLAMP | 1 | |
| 31 | 90109-06M82-00 | BOLT | 4 | |
| 32 | 6H4-42748-00-00 | GROMMET | 2 | |
| 33 | 69J-42815-00-8D | LEVER, CLAMP | 1 | |
| 34 | 69J-42817-00-8D | LEVER, CLAMP | 1 | |
| 35 | 90386-15M73-00 | BUSH | 4 | |
| 36 | 90206-15M18-00 | WASHER, WAVE | 2 | |
| 37 | 68F-42818-01-00 | LEVER, CLAMP | 2 | |
| 38 | 97095-06020-00 | BOLT | 2 | |
| 39 | 90201-06068-00 | WASHER, PLATE | 2 | |
| 40 | 69J-42828-10-94 | PLATE, CLAMP | 1 | |
| 41 | 90109-06M82-00 | BOLT | 2 | |
| 42 | 69J-42816-00-8D | LEVER, CLAMP | 1 | |
| 43 | 90386-15M73-00 | BUSH | 2 | |
| 44 | 90206-15M18-00 | WASHER, WAVE | 1 | |
| 45 | 6D8-42818-00-00 | LEVER, CLAMP | 1 | |
| 46 | 97095-06020-00 | BOLT | 1 | |
| 47 | 90201-06068-00 | WASHER, PLATE | 1 | |
| 48 | 64D-43144-00-00 | HOOK, SPRING | 3 | |
| 49 | 90109-06M86-00 | BOLT | 3 | |
| 50 | 90506-16M34-00 | SPRING, TENSION | 3 | |
| 51 | 68F-42753-00-00 | FASTNER | 1 | AP |
| 52 | 90464-20258-00 | CLAMP | 1 | AP |
| 53 | 68V-82594-00-00 | CLAMP | 1 | |
| 54 | 67F-82377-00-00 | LABEL | 1 | |

LF225TURD 2005 / BOTTOM COWLING 2



©2013 Yamaha Motor Corporation, U.S.A. All rights reserved.


Part List

LF225TURD 2005 / BOTTOM COWLING 2

| REF - NO | PART NUMBER | PART NAME | QUANTITY | REMARKS |
|----------|-----------------|-------------------------|----------|---------|
| 1 | 69J-42741-00-8D | APRON | 1 | |
| 2 | 90173-06001-00 | NUT, SQUARE | 2 | |
| 3 | 69J-42771-00-8D | APRON | 1 | |
| 4 | 90111-06025-00 | BOLT,HEX. SOCKET BUTTON | 5 | |
| 5 | 90111-06026-00 | BOLT,HEX. SOCKET BUTTON | 1 | |
| 6 | 90480-14M17-00 | GROMMET | 6 | |
| 7 | 69J-42774-00-00 | STAY, APRON 1 | 6 | |
| 8 | 69J-45151-00-8D | COVER, UPPER CASING | 1 | |
| 9 | 90111-06025-00 | BOLT,HEX. SOCKET BUTTON | 2 | |
| 10 | 6E5-24379-00-00 | PIPE, JOINT 4 | 1 | |
| 11 | 90445-11012-00 | HOSE (L600) | 1 | |
| 12 | 90447-13009-00 | TUBE | 1 | |
| 13 | 68T-12572-00-00 | ADAPTER | 1 | |
| 14 | 6R3-12581-00-00 | JOINT, HOSE 1 | 1 | |
| 15 | 6R3-12582-00-00 | JOINT, HOSE 2 | 1 | |
| 16 | 6R3-12583-00-00 | GASKET, HOSE JOINT | 1 | |
| 17 | 90445-11028-00 | HOSE (L1050) | 1 | |
| 18 | 90465-11M10-00 | CLAMP | 4 | |
| 19 | 97780-60520-00 | SCREW, TAPPING | 2 | |

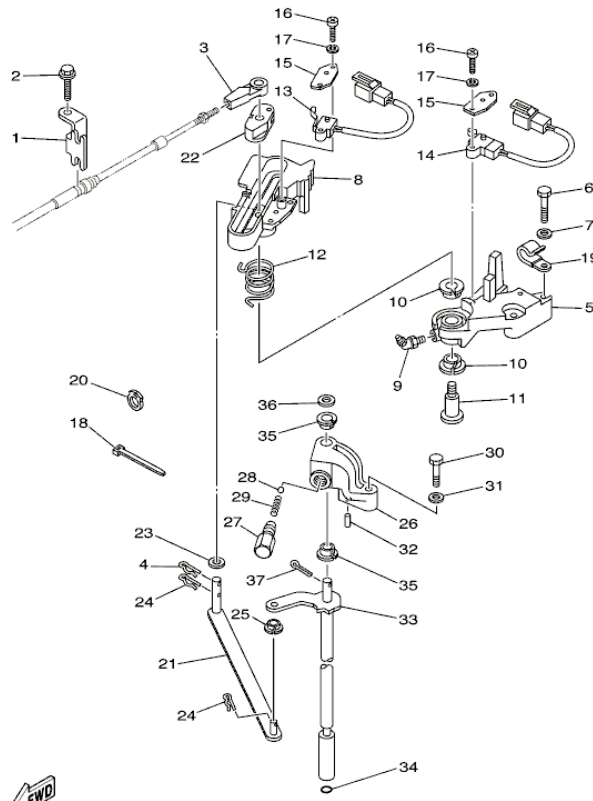
Part Notes

LF225TURD 2005 / BOTTOM COWLING 2

| PART NUMBER | NOTE TEXT |
|--|---|
| 90173-06001-00  | OEM: This part number is among the Top 100 Most Popular Marine Maintenance Parts as of August 2013. |

©2013 Yamaha Motor Corporation, U.S.A. All rights reserved.

LF225TURD 2005 / CONTROL 1



69J3100-C230

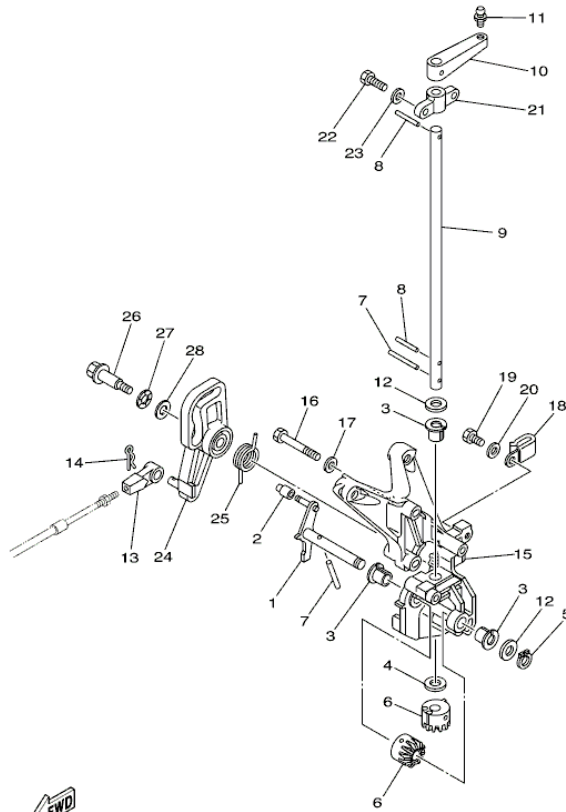
©2013 Yamaha Motor Corporation, U.S.A. All rights reserved.

Part List

LF225TURD 2005 / CONTROL 1

| REF - NO | PART NUMBER | PART NAME | QUANTITY | REMARKS |
|----------------|-----------------|------------------------------|----------|---------|
| 1 | 69J-48531-00-00 | BRACKET, REMOTE CONTROL 1 | 1 | |
| 2 | 90109-06M86-00 | BOLT | 1 | |
| 3 | 6E5-48344-00-00 | CABLE END, REMOTE CONTROL | 1 | |
| 4 | 90468-18008-00 | CLIP | 1 | |
| 5 | 69J-44117-00-1S | BRACKET | 1 | |
| 6 | 97095-06035-00 | BOLT | 2 | |
| 7 | 92995-06600-00 | WASHER | 2 | |
| 8 | 69J-44176-01-1S | BRACKET | 1 | |
| 9 | 93700-06M01-00 | NIPPLE, GREASE | 1 | |
| 10 | 90386-12069-00 | BUSH | 2 | |
| 11 | 90109-08019-00 | BOLT | 1 | |
| 12 | 90508-20020-00 | SPRING, TORSION | 1 | |
| 13 | 68F-8259F-00-00 | SWITCH ASSY | 1 | |
| 14 | 69J-8259F-00-00 | SWITCH ASSY | 1 | |
| 15 | 61A-82588-01-00 | PLATE | 2 | |
| 16 | 97885-04016-00 | SCREW, PAN HEAD | 4 | |
| 17 | 92995-04100-00 | WASHER | 4 | |
| 18 | 90465-11M10-00 | CLAMP | 1 | |
| 19 | 90465-06M86-00 | CLAMP | 1 | |
| 20 | 90464-09010-00 | CLAMP | 1 | |
| 21 | 69J-44121-00-00 | LEVER, SHIFT ROD | 1 | |
| 22 | 69J-44122-00-00 | BUSHING, SHIFT ROD LEVER | 1 | |
| 23 | 90202-08M20-00 | WASHER, PLATE | 1 | |
| 24 | 90468-18008-00 | CLIP | 2 | |
| 25 | 90386-06M12-00 | BUSH | 1 | |
| 26 | 69J-44118-00-00 | BRACKET | 1 | |
| 27 | 648-42715-00-00 | BUSHING | 1 | |
| 28 | 93501-04M02-00 | BALL | 1 | |
| 29 | 90501-12082-00 | SPRING, COMPRESSION | 1 | |
| 30 | 97075-06030-00 | BOLT | 1 | |
| 31 | 92995-06600-00 | WASHER | 1 | |
| 32 | 91690-30010-00 | PIN, SPRING | 1 | |
| 33 | 69J-44120-10-00 | HANDLE GEAR SHIFT ASSY | 1 | UR U |
| 33 | 69J-44120-00-00 | HANDLE GEAR SHIFT ASSY | 1 | UR X |
| 34 | 93210-09165-00 | O-RING | 1 | |
| 35 | 90386-90M90-00 | BUSH | 2 | |
| 36 | 90201-09M02-00 | WASHER, PLATE | 1 | |
| 37 | 91490-20015-00 | PIN. COTTER | 1 | |

LF225TURD 2005 / CONTROL 2



69J4100-D240

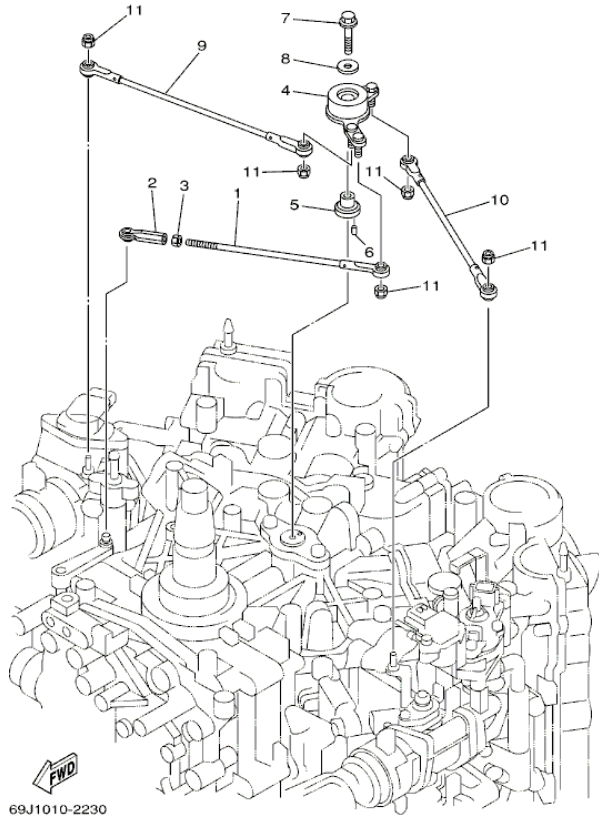
©2013 Yamaha Motor Corporation, U.S.A. All rights reserved.

Part List

LF225TURD 2005 / CONTROL 2

| REF - NO | PART NUMBER | PART NAME | QUANTITY | REMARKS |
|----------------|-----------------|------------------------------|----------|---------|
| 1 | 69J-42154-00-00 | LEVER, THROTTLE CONTROL | 1 | |
| 2 | 68V-42171-00-00 | BUSHING | 1 | |
| 3 | 90386-10001-00 | BUSH | 3 | |
| 4 | 90202-10002-00 | WASHER, PLATE | 1 | |
| 5 | 93410-10082-00 | CIRCLIP | 1 | |
| 6 | 69J-42152-00-94 | GEAR | 2 | |
| 7 | 91690-30025-00 | PIN, SPRING | 2 | |
| 8 | 91690-30018-00 | PIN, SPRING | 2 | |
| 9 | 69J-42153-00-00 | SHAFT, THROTTLE CONTROL | 1 | |
| 10 | 69J-41632-00-94 | LEVER, MAGNETO CONTROL | 1 | |
| 11 | 663-85518-00-00 | JOINT, BALL | 1 | |
| 12 | 90201-10M02-00 | WASHER, PLATE | 2 | |
| 13 | 6E5-48344-00-00 | CABLE END, REMOTE CONTROL | 1 | |
| 14 | 90468-18008-00 | CLIP | 1 | |
| 15 | 69J-41661-00-94 | BRACKET 1 | 1 | |
| 16 | 97095-06045-00 | .BOLT | 5 | |
| 17 | 92995-06600-00 | WASHER | 5 | |
| 18 | 90465-06M67-00 | CLAMP | 2 | |
| 19 | 97095-06014-00 | BOLT | 2 | |
| 20 | 92995-06600-00 | WASHER | 2 | |
| 21 | 676-41662-00-00 | BRACKET 2 | 1 | |
| 22 | 97095-06020-00 | BOLT | 2 | |
| 23 | 92995-06600-00 | WASHER | 2 | |
| 24 | 69J-41213-00-00 | CAM, ACCEL. | 1 | |
| 25 | 69J-44135-00-00 | SPRING | 1 | |
| 26 | 90109-06040-00 | BOLT | 1 | |
| 27 | 90206-10M04-00 | WASHER, WAVE | 1 | |
| 28 | 90201-10M02-00 | WASHER, PLATE | 1 | |

LF225TURD 2005 / CONTROL 3



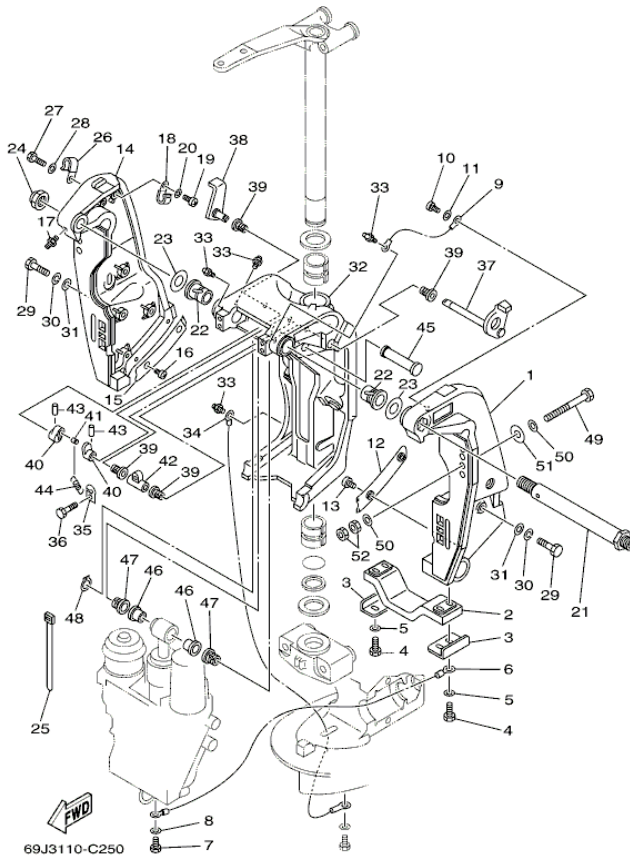
©2013 Yamaha Motor Corporation, U.S.A. All rights reserved.

Part List

LF225TURD 2005 / CONTROL 3

| REF - NO | PART NUMBER | PART NAME | QUANTITY | REMARKS |
|----------------|-----------------|------------------------|----------|---------|
| 1 | 69J-41241-00-00 | ROD, LINK | 1 | |
| 2 | 682-41237-00-00 | JOINT, LINK | 1 | |
| 3 | 95380-05600-00 | NUT | 1 | |
| 4 | 69J-41210-00-00 | ACCEL. ARM ASSY | 1 | |
| 5 | 69J-41635-00-00 | SHAFT, LINK CONNECTING | 1 | |
| 6 | 91690-30008-00 | .PIN, SPRING | 1 | |
| 7 | 95895-06030-00 | BOLT, FLANGE | 1 | |
| 8 | 90201-06M31-00 | WASHER, PLATE | 1 | |
| 9 | 69J-41211-00-00 | LINK, ACCEL. | 1 | |
| 10 | 69J-41636-00-00 | ROD, MAGNETO CONTROL | 1 | |
| 11 | 95680-05100-00 | NUT, U | 5 | |

LF225TURD 2005 / BRACKET 1



©2013 Yamaha Motor Corporation, U.S.A. All rights reserved.

Part List

LF225TURD 2005 / BRACKET 1

| REF - NO | PART NUMBER | PART NAME | QUANTITY | REMARKS |
|----------------|-----------------|------------------------|----------|---------|
| 1 | 69J-43111-01-8D | BRACKET, CLAMP 1 | 1 | |
| 2 | 6G5-45251-02-00 | ANODE | 1 | |
| 3 | 6G5-44526-00-00 | PLATE | 2 | |
| 4 | 97095-06025-00 | BOLT | 4 | |
| 5 | 92995-06600-00 | WASHER | 4 | |
| 6 | 6H1-82148-00-00 | WIRE, LEAD 4 | 1 | |
| 7 | 97095-06010-00 | BOLT | 1 | |
| 8 | 92995-06600-00 | WASHER | 1 | |
| 9 | 6E5-82148-00-00 | WIRE, LEAD 4 | 1 | |
| 10 | 97885-06012-00 | SCREW, PAN HEAD | 1 | |
| 11 | 92995-06600-00 | WASHER | 1 | |
| 12 | 61A-43132-00-00 | WASHER, FRICTION | 1 | |
| 13 | 97885-06010-00 | SCREW, PAN HEAD | 2 | |
| 14 | 69J-43112-01-8D | BRACKET, CLAMP 2 | 1 | |
| 15 | 61A-43133-00-00 | WASHER,FRICTION | 1 | |
| 16 | 97885-06010-00 | SCREW, PAN HEAD | 2 | |
| 17 | 93700-06M03-00 | NIPPLE, GREASE | 1 | |
| 18 | 90465-08M83-00 | CLAMP | 1 | |
| 19 | 97885-06012-00 | SCREW, PAN HEAD | 1 | |
| 20 | 92995-06600-00 | WASHER | 1 | |
| 21 | 6R3-43131-00-00 | BOLT, CLAMP BRACKET | 1 | |
| 22 | 90386-25M31-00 | BUSH | 2 | |
| 23 | 90201-26M59-00 | WASHER, PLATE | 2 | |
| 24 | 90185-22M11-00 | NUT, SELF-LOCKING | 1 | |
| 25 | 90465-11M10-00 | CLAMP | 4 | |
| 26 | 90465-08M83-00 | CLAMP | 1 | |
| 27 | 97095-06014-00 | BOLT | 1 | |
| 28 | 92995-06600-00 | WASHER | 1 | |
| 29 | 97095-10045-00 | BOLT | 8 | |
| 30 | 92995-10100-00 | WASHER | 8 | |
| 31 | 92995-10600-00 | WASHER | 8 | |
| 32 | 61A-43311-21-8D | BRACKET, SWIVEL 1 | 1 | |
| 33 | 93700-06M03-00 | NIPPLE, GREASE | 5 | |
| 34 | 69J-82147-00-00 | WIRE, LEAD 5 | 1 | |
| 35 | 6G5-43144-00-00 | HOOK, SPRING | 1 | |
| 36 | 97095-06010-00 | BOLT | 1 | |
| 37 | 61A-43181-01-00 | LEVER, TILT STOP 1 | 1 | |
| 38 | 6G5-43185-02-00 | LEVER, TILT STOP 2 | 1 | |
| 39 | 90386-10M16-00 | BUSH | 4 | |
| 40 | 6G5-43148-00-00 | COLLAR, DISTANCE | 2 | |
| 41 | 90249-06M19-00 | PIN | 1 | |
| 42 | 90387-10M02-00 | COLLAR | 1 | |
| 43 | 91690-30020-00 | PIN, SPRING | 2 | |
| 44 | 90506-16003-00 | SPRING, TENSION | 1 | |
| 45 | 6E5-43126-02-00 | PIN, UPPER SHOCK MOUNT | 1 | |
| 46 | 90386-18M63-00 | BUSH | 2 | |
| 47 | 90386-18M14-00 | BUSH | 2 | |
| 48 | 93410-18M02-00 | CIRCLIP | 1 | |
| 49 | 90101-12M77-00 | BOLT (L:150MM) | 2 | UR |
| 49 | 90101-12M05-00 | BOLT (L:130MM) | 4 | UR |
| 50 | 90201-13M01-00 | WASHER, PLATE | 8 | |
| 51 | 90201-12M05-00 | WASHER, PLATE | 4 | |
| 52 | 95380-12600-00 | NUT | 8 | |

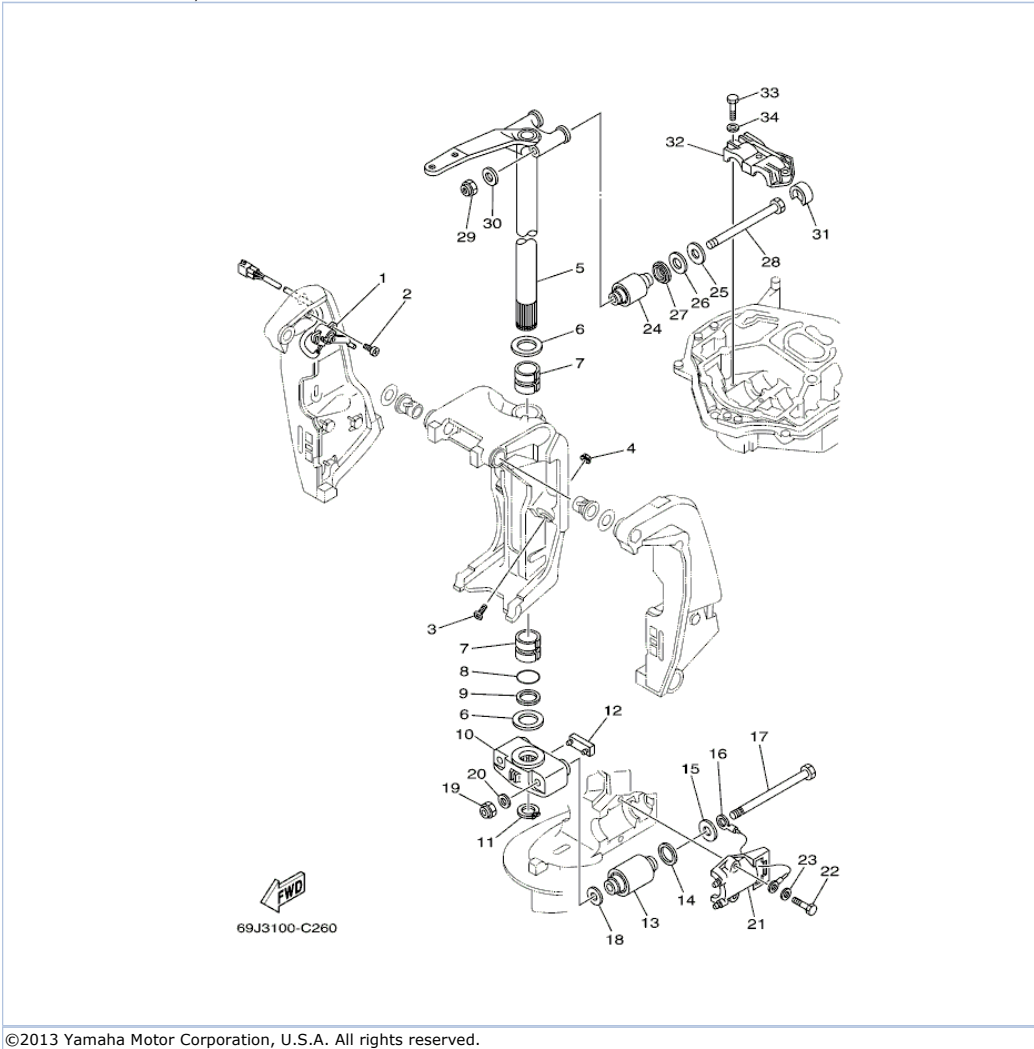
Part Notes

LF225TURD 2005 / BRACKET 1

| PART NUMBER | | NOTE TEXT |
|-----------------|---|---|
| 6G5-45251-02-00 |  | OEM: This part number is among the Top 100 Most Popular Marine Maintenance Parts as of August 2013. |
| 93700-06M03-00 |  | OEM: This part number is among the Top 100 Most Popular Marine Maintenance Parts as of August 2013. |
| 93700-06M03-00 |  | OEM: This part number is among the Top 100 Most Popular Marine Maintenance Parts as of August 2013. |

©2013 Yamaha Motor Corporation, U.S.A. All rights reserved.

LF225TURD 2005 / BRACKET 2



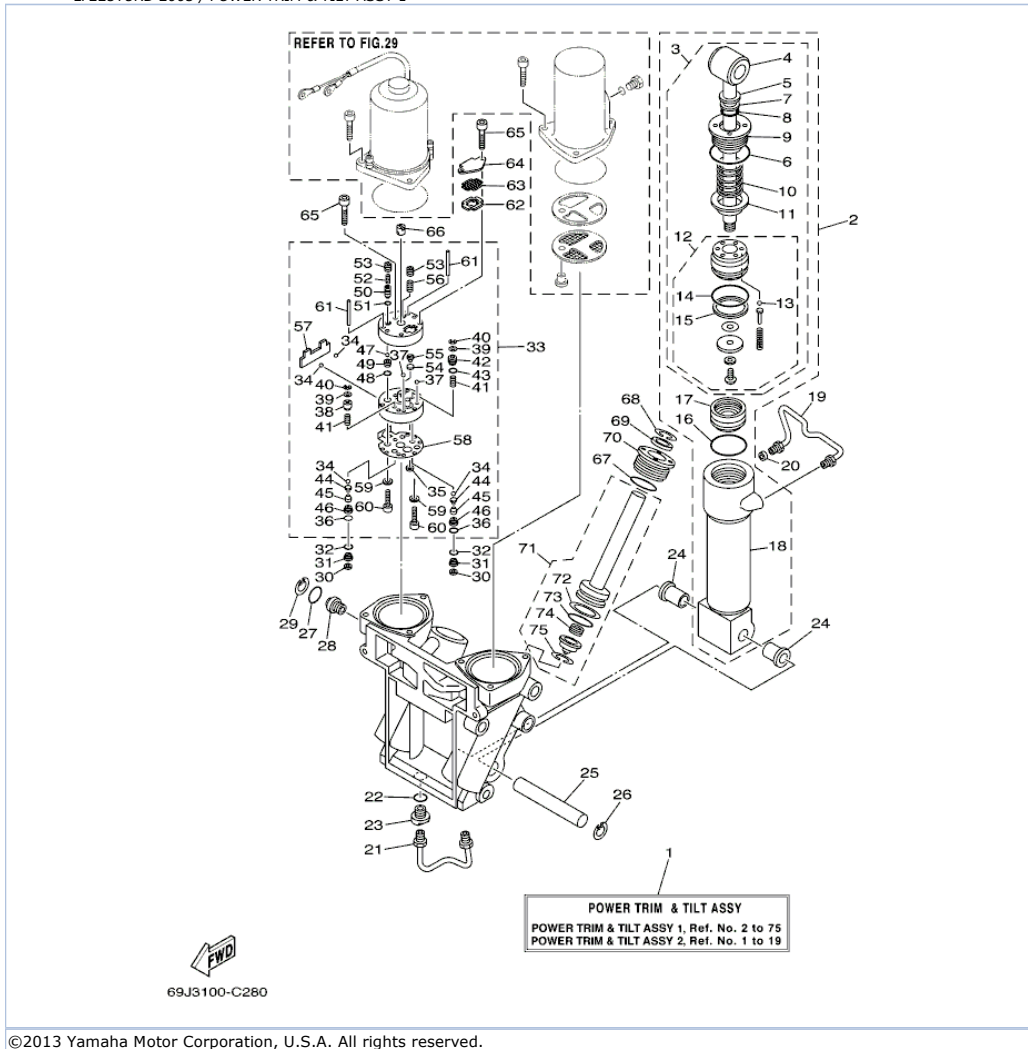
©2013 Yamaha Motor Corporation, U.S.A. All rights reserved.

Part List

LF225TURD 2005 / BRACKET 2

| REF - NO | PART NUMBER | PART NAME | QUANTITY | REMARKS |
|----------------|-----------------|----------------------------------|----------|---------|
| 1 | 69J-83672-10-00 | TRIM SENDER | 1 | |
| 2 | 97885-06016-00 | SCREW, PAN HEAD | 2 | |
| 3 | 61A-43376-00-00 | BOLT, THRUST RECEIVER | 2 | |
| 4 | 95780-10300-00 | NUT, FLANGE | 2 | |
| 5 | 69J-42510-00-8D | STEERING BRACKET ASSY | 1 | |
| 6 | 90201-40M00-00 | WASHER, PLATE | 2 | |
| 7 | 90386-39M89-00 | BUSH | 2 | |
| 8 | 93210-35321-00 | O-RING | 1 | |
| 9 | 90202-40M47-00 | WASHER, PLATE | 1 | |
| 10 | 69J-44551-00-8D | HOUSING, LOWER MOUNT RUBBER 1 | 1 | |
| 11 | 93410-37M04-00 | CIRCLIP | 1 | |
| 12 | 61A-44575-00-00 | DAMPER, LOWER MOUNT RUBBER | 1 | |
| 13 | 66K-44555-00-94 | MOUNT DAMPER, LOWER SIDE | 2 | |
| 14 | 90202-32M19-00 | WASHER, PLATE | 2 | |
| 15 | 90201-16M55-00 | WASHER, PLATE | 2 | |
| 16 | 6E5-82149-00-00 | WIRE, LEAD 3 | 1 | |
| 17 | 90109-14005-00 | BOLT | 2 | |
| 18 | 90201-15M58-00 | WASHER, PLATE | 2 | |
| 19 | 90185-14M00-00 | NUT, SELF-LOCKING | 2 | |
| 20 | 92995-14600-00 | WASHER | 2 | |
| 21 | 61A-44552-01-94 | HOUSING, LOWER MOUNT RUBBER | 2 | |
| 22 | 97095-10045-00 | BOLT | 4 | |
| 23 | 92995-10600-00 | WASHER | 4 | |
| 24 | 69J-44514-00-94 | MOUNT DAMPER, UPPER SIDE | 2 | |
| 25 | 90201-16M01-00 | WASHER, PLATE | 2 | |
| 26 | 90202-28M46-00 | WASHER, PLATE | 2 | |
| 27 | 69J-44532-00-00 | STOPPER, UPPER MOUNT | 2 | |
| 28 | 90109-14003-00 | BOLT | 2 | |
| 29 | 90185-14M00-00 | NUT, SELF-LOCKING | 2 | |
| 30 | 92995-14600-00 | WASHER | 2 | |
| 31 | 69J-44533-00-00 | DAMPER, UPPER MOUNT RUBBER | 2 | |
| 32 | 61A-44511-00-94 | COVER, UPPER MOUNT | 1 | |
| 33 | 97075-10045-00 | BOLT | 3 | |
| 34 | 92995-10600-00 | WASHER | 3 | |

LF225TURD 2005 / POWER TRIM & TILT ASSY 1



©2013 Yamaha Motor Corporation, U.S.A. All rights reserved.

Part List



LF225TURD 2005 / POWER TRIM & TILT ASSY 1

| REF - NO | PART NUMBER | PART NAME | QUANTITY | REMARKS |
|----------------|-----------------|-------------------------|----------|---------|
| 1 | 69J-43800-01-4D | POWER TRIM & TILT ASSY | 1 | |
| 2 | 69J-43840-01-00 | POWER TILT ASSY | 1 | |
| 3 | 69J-43810-01-00 | .TILT PISTON SUB ASSY | 1 | |
| 4 | 69J-43801-00-00 | ..ROD | 1 | |
| 5 | 93106-19N50-00 | ..OIL SEAL | 1 | |
| 6 | 6H1-43861-00-00 | ..O-RING | 1 | |
| 7 | 6H1-43872-00-00 | ..RING, BACK UP | 1 | |
| 8 | 61A-4389H-00-00 | ..O-RING | 1 | |
| 9 | 61A-43811-00-00 | ..SCREW, CYLINDER END | 1 | |
| 10 | 69J-4384H-00-00 | ..SPRING | 1 | |
| 11 | 69J-4382E-00-00 | ..ADAPTOR 2 | 1 | |
| 12 | 69J-4380P-01-00 | ..PISTON SUB ASSY | 1 | |
| 13 | 93505-32038-00 | ...BALL | 5 | |
| 14 | 61A-43861-00-00 | ...O-RING | 1 | |
| 15 | 61A-43871-00-00 | ...RING, BACK UP | 1 | |
| 16 | 61A-43861-00-00 | .O-RING | 1 | |
| 17 | 6H1-43814-00-00 | .PISTON, FREE | 1 | |
| 18 | 61A-43813-01-00 | .CYLINDER, TILT | 1 | |
| 19 | 61A-43835-01-00 | PIPE | 1 | |
| 20 | 69J-4388J-00-00 | PLUG 2 | 1 | |
| 21 | 69J-43833-00-00 | PIPE | 1 | |
| 22 | 93210-17239-00 | O-RING | 1 | |
| 23 | 69J-4388E-00-00 | BOLT ,SCREW | 1 | |
| 24 | 90386-18M14-00 | BUSH | 2 | |
| 25 | 61A-43818-00-00 | PIN, LOWER SHOCK MOUNT | 1 | |
| 26 | 61A-43876-00-00 | RING, SNAP | 1 | |
| 27 | 93210-18397-00 | O-RING | 1 | |
| 28 | 69J-43845-00-00 | SCREW, MANUAL RELEASE | 1 | |
| 29 | 6H1-43875-00-00 | RING, SNAP | 1 | |
| 30 | 69J-4381C-00-00 | .FILTER 3 | 2 | |
| 31 | 69J-43899-00-00 | PLATE STOPPER | 2 | |
| 32 | 69J-4389J-00-00 | .O-RING | 2 | |
| 33 | 69J-43830-01-00 | GEAR PUMP ASSY | 1 | |
| 34 | 93505-32038-00 | .BALL | 4 | |
| 35 | 69J-4381C-00-00 | .FILTER 3 | 1 | |
| 36 | 69J-4389J-00-00 | .O-RING | 2 | |
| 37 | 93503-16003-00 | .BALL | 2 | |
| 38 | 69J-4384M-00-00 | .PISTON, SHUTTLE 2 | 1 | |
| 39 | 69A-4384F-00-00 | .SEAL, MAIN VALVE | 2 | |
| 40 | 99001-03600-00 | .CIRCLIP | 2 | |
| 41 | 69J-43894-00-00 | .SPRING, SHUTTLE RETURN | 2 | |
| 42 | 69J-43841-00-00 | .PISTON, SHUTTLE | 1 | |
| 43 | 6H1-43883-00-00 | .O-RING | 1 | |
| 44 | 60V-4386A-00-00 | .PIN, ABSORBER VALVE | 2 | |
| 45 | 69J-43853-00-00 | .SPRING, MAIN VALVE | 2 | |
| 46 | 69J-43893-00-00 | .WASHER | 2 | |
| 47 | 93501-08001-00 | .BALL | 2 | |
| 48 | 93210-08391-00 | .O-RING | 1 | |
| 49 | 69J-43851-00-00 | .SEAT, RELIEF VALVE | 1 | |
| 50 | 69J-43844-00-00 | .PIN, VALVE SUPPORT | 1 | |
| 51 | 93210-064A5-00 | .O-RING | 1 | |
| 52 | 69J-43855-00-00 | .SPRING, UP RELIEF | 1 | |
| 53 | 69J-43843-00-00 | .SCREW, VALVE LOCK | 2 | |
| 54 | 6H1-4384G-11-00 | .SEAL, RELIEF VALVE | 1 | |
| 55 | 6H1-43844-10-00 | .PIN, VALVE SUPPORT | 1 | |
| 56 | 6H1-43856-10-00 | .SPRING, DOWN RELIEF | 1 | |
| 57 | 69J-43854-00-00 | .SPRING, MANUAL RELEASE | 1 | |
| 58 | 69J-4384G-00-00 | .SEAL, RELIEF VALVE | 1 | |
| 59 | CS3-4387G-00-00 | .WASHER | 2 | |
| 60 | 91318-05025-00 | .BOLT | 2 | |
| 61 | 93604-35236-00 | .PIN, DOWEL | 2 | |
| 62 | 69J-43871-00-00 | RING, BACK UP | 1 | |
| 63 | 69J-43816-00-00 | FILTER 1 | 1 | |
| 64 | 69J-4381J-00-00 | PLATE | 1 | |
| 65 | 91318-05040-00 | BOLT | 3 | |
| 66 | 69J-43831-00-00 | CONNECTOR, SHAFT | 1 | |

| | | | | |
|----|-----------------|--------------------------|---|--|
| 67 | 61A-43861-00-00 | O-RING | 2 | |
| 68 | 6T4-43875-01-00 | RING, SNAP | 2 | |
| 69 | 61A-43822-00-00 | SEAL, TRIM DUST | 2 | |
| 70 | 61A-43821-00-00 | SCREW, TRIM CYLINDER END | 2 | |
| 71 | 69J-43820-00-00 | TRIM PISTON SUB ASSY | 2 | |
| 72 | 61A-43874-00-00 | .RING, BACK UP | 1 | |
| 73 | 61A-43864-00-00 | .O-RING | 1 | |
| 74 | 61A-4384H-10-00 | .SPRING | 1 | |
| 75 | 61A-43875-10-00 | .RING, SNAP | 1 | |

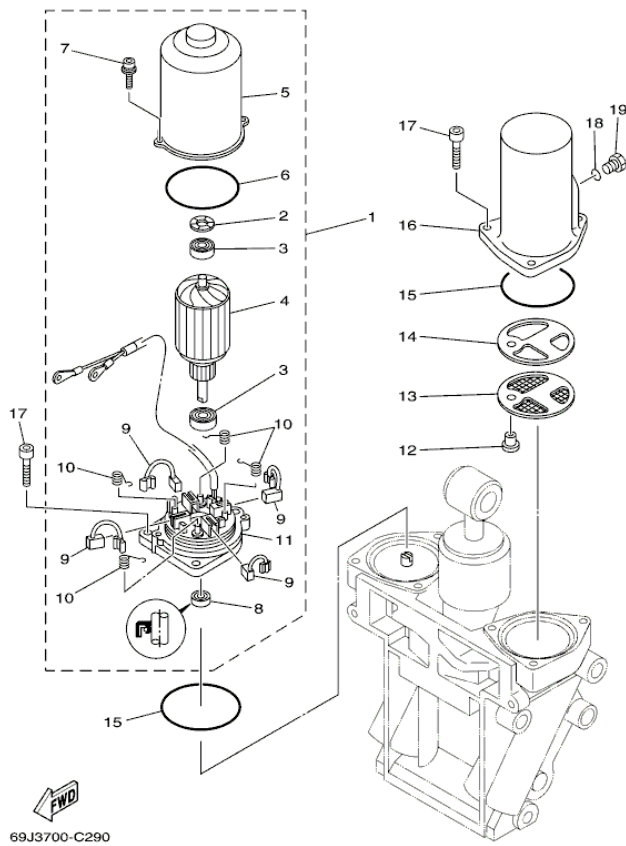
Part Notes

LF225TURD 2005 / POWER TRIM & TILT ASSY 1

| PART NUMBER | | NOTE TEXT |
|-----------------|---|---|
| 6T4-43875-01-00 |  | OEM: This part number is among the Top 100 Most Popular Marine Maintenance Parts as of August 2013. |
| 61A-43822-00-00 |  | OEM: This part number is among the Top 100 Most Popular Marine Maintenance Parts as of August 2013. |

©2013 Yamaha Motor Corporation, U.S.A. All rights reserved.

LF225TURD 2005 / POWER TRIM & TILT ASSY 2



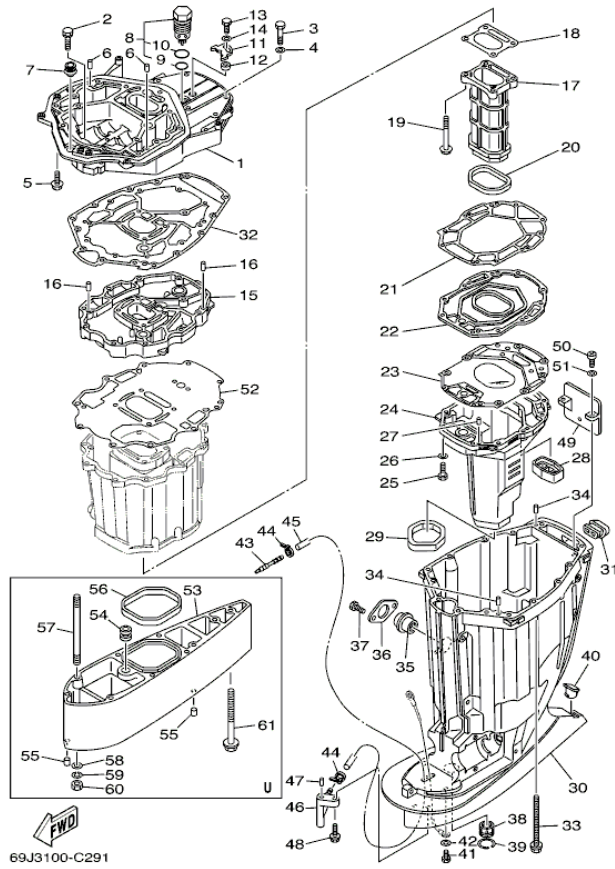
69J3700-C290

Part List

LF225TURD 2005 / POWER TRIM & TILT ASSY 2

| REF - NO | PART NUMBER | PART NAME | QUANTITY | REMARKS |
|----------------|-----------------|-----------------|----------|---------|
| 1 | 69J-43880-00-00 | MOTOR ASSY | 1 | |
| 2 | 90206-14N50-00 | .WASHER, WAVE | 1 | |
| 3 | 93399-999T6-00 | .BEARING | 2 | |
| 4 | 69J-43805-00-00 | .ARMATURE ASSY | 1 | |
| 5 | 69J-43804-00-00 | .STATOR ASSY | 1 | |
| 6 | 69J-43861-00-00 | .O-RING | 1 | |
| 7 | 69J-43886-00-00 | .BOLT | 2 | |
| 8 | 69J-43882-00-00 | .OIL SEAL | 1 | |
| 9 | 69J-43891-00-00 | .BRUSH 1 | 4 | |
| 10 | 69J-4386K-00-00 | .SPRING, BRUSH | 4 | |
| 11 | 69J-43881-00-00 | .FRAME, END | 1 | |
| 12 | 69J-4388H-00-00 | PLUG | 1 | |
| 13 | 69J-43817-00-00 | FILTER 2 | 1 | |
| 14 | 69J-4388F-00-00 | SPACER | 1 | |
| 15 | 6H1-43869-00-00 | O-RING | 2 | |
| 16 | 69J-43828-00-00 | BODY, RESERVOIR | 1 | |
| 17 | 69J-43888-00-00 | BOLT, SOCKET | 6 | |
| 18 | 93210-09165-00 | O-RING | 1 | |
| 19 | 6H1-43829-00-00 | PLUG, RESERVOIR | 1 | |

LF225TURD 2005 / UPPER CASING



©2013 Yamaha Motor Corporation, U.S.A. All rights reserved.









Part List

LF225TURD 2005 / UPPER CASING

| REF - NO | PART NUMBER | PART NAME | QUANTITY | REMARKS |
|----------------|-----------------|--------------------------------|----------|---------|
| 1 | 69J-41137-02-94 | GUIDE, EXHAUST | 1 | |
| 2 | 90119-08M79-00 | BOLT, WITH WASHER | 2 | |
| 3 | 97075-10045-00 | BOLT | 7 | |
| 4 | 92995-10600-00 | WASHER | 7 | |
| 5 | 97575-10535-00 | BOLT, WITH WASHER | 7 | |
| 6 | 93608-16M16-00 | PIN, DOWEL | 2 | |
| 7 | 6E5-42724-00-00 | GROMMET | 1 | |
| 8 | 69J-11371-00-00 | PRESSURE CONTROL VALVE ASSY | 1 | |
| 9 | 93210-28543-00 | .O-RING | 1 | |
| 10 | 93210-33MG4-00 | .O-RING | 1 | |
| 11 | 69J-12233-00-00 | PLATE, GUIDE STOPPER 1 | 1 | |
| 12 | 90387-06037-00 | COLLAR | 1 | |
| 13 | 97095-06020-00 | BOLT | 1 | |
| 14 | 92995-06600-00 | WASHER | 1 | |
| 15 | 69J-41131-10-94 | MANIFOLD, EXT. 1 | 1 | |
| 16 | 93608-16M16-00 | PIN, DOWEL | 2 | |
| 17 | 69J-41132-10-5B | MANIFOLD, EXHAUST | 1 | |
| 18 | 69J-41134-A0-00 | .GASKET, EXHAUST MANIFOLD | 1 | |
| 19 | 97575-08590-00 | BOLT, WITH WASHER | 4 | |
| 20 | 69J-41138-00-00 | .SEAL, EXT. 1 | 1 | |
| 21 | 69J-41135-A0-00 | .GASKET, EXHAUST MANIFOLD | 1 | |
| 22 | 69J-45181-00-5B | PLATE | 1 | |
| 23 | 69J-41136-A0-00 | .GASKET, EXHAUST MANIFOLD 4 | 1 | |
| 24 | 69J-14711-10-5B | MUFFLER 1 | 1 | |
| 25 | 97075-08035-00 | BOLT | 10 | |
| 26 | 92995-08600-00 | WASHER | 10 | |
| 27 | 93606-19M23-00 | PIN, DOWEL | 2 | |
| 28 | 69J-45127-00-00 | .SEAL | 1 | |
| 29 | 69J-45123-00-00 | .GASKET, MUFFLER | 1 | |
| 30 | 69J-45111-02-8D | CASING, UPPER | 1 | |
| 31 | 69J-42769-00-00 | SEAL, RUBBER | 1 | |
| 32 | 69J-45113-10-00 | .GASKET, UPPER CASING | 1 | |
| 33 | 90119-10007-00 | BOLT, WITH WASHER | 6 | |
| 34 | 93608-16M16-00 | PIN, DOWEL | 2 | |
| 35 | 69J-15316-00-00 | DAMPER 1 | 1 | |
| 36 | 69J-45152-00-8D | COVER, UPPER CASING 2 | 1 | |
| 37 | 97095-06014-00 | BOLT | 2 | |
| 38 | 69J-45318-01-00 | BUSHING, DRIVE SHAFT | 1 | |
| 39 | 93420-36M01-00 | CIRCLIP | 1 | |
| 40 | 61A-45155-00-00 | CAP | 1 | |
| 41 | 97095-06010-00 | BOLT | 1 | |
| 42 | 92995-06600-00 | WASHER | 1 | |
| 43 | 6E5-83558-00-00 | END, NIPPLE | 1 | |
| 44 | 90465-11M10-00 | CLAMP | 2 | |
| 45 | 90445-07012-00 | HOSE (L1457) | 1 | UR U |
| 45 | 90445-07010-00 | HOSE (L1330) | 1 | UR X |
| 46 | 61A-45378-00-00 | NIPPLE, HOSE | 1 | |
| 47 | 93606-12019-00 | .PIN, DOWEL | 1 | |
| 48 | 90119-06M17-00 | BOLT, WITH WASHER | 1 | |
| 49 | 69J-14624-01-00 | COVER, EXHAUST | 1 | |
| 50 | 97880-06016-00 | SCREW, PAN HEAD | 2 | |
| 51 | 92990-06600-00 | WASHER, PLATE | 2 | |
| 52 | 69J-15312-01-00 | .GASKET, OIL PAN | 1 | |
| 53 | 69J-45211-01-8D | EXTENSION | 1 | U |
| 54 | 6E5-44366-00-00 | DAMPER, WATER SEAL 2 | 1 | U |
| 55 | 93608-12M05-00 | PIN, DOWEL | 2 | U |
| 56 | 69J-45159-00-00 | DAMPER | 1 | U |
| 57 | 90116-10012-00 | BOLT, STUD | 6 | U |
| 58 | 92990-10600-00 | WASHER, PLATE | 6 | U |
| 59 | 92990-10100-00 | WASHER, SPRING | 6 | U |
| 60 | 95380-10600-00 | NUT | 6 | U |
| 61 | 90119-10008-00 | BOLT, WITH WASHER | 1 | U |

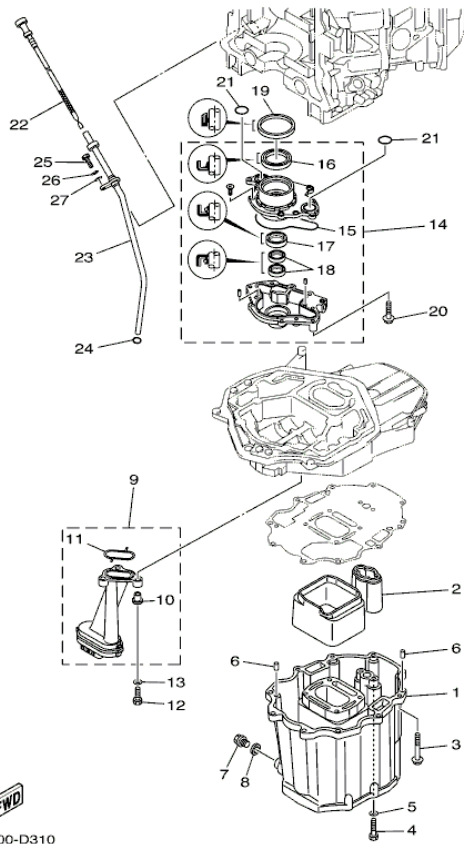
Part Notes

LF225TURD 2005 / UPPER CASING

| PART NUMBER | NOTE TEXT |
|-----------------|--|
| 69J-41134-A0-00 |  OEM: If you are replacing damaged exhaust components on a 3.1L V6 Fourstroke, two kits have been developed to make choosing and ordering the correct parts easier. Ordering either MAR-EXHKT-03-00 (EXH KIT F200-225 for 2002-2003 models) or MAR-EXHKT-04-00 (EXH KIT F200-250 2004 models and up) will get you everything needed to rebuild the entire exhaust system. |
| 69J-41138-00-00 |  OEM: If you are replacing damaged exhaust components on a 3.1L V6 Fourstroke, two kits have been developed to make choosing and ordering the correct parts easier. Ordering either MAR-EXHKT-03-00 (EXH KIT F200-225 for 2002-2003 models) or MAR-EXHKT-04-00 (EXH KIT F200-250 2004 models and up) will get you everything needed to rebuild the entire exhaust system. |
| 69J-41135-A0-00 |  OEM: If you are replacing damaged exhaust components on a 3.1L V6 Fourstroke, two kits have been developed to make choosing and ordering the correct parts easier. Ordering either MAR-EXHKT-03-00 (EXH KIT F200-225 for 2002-2003 models) or MAR-EXHKT-04-00 (EXH KIT F200-250 2004 models and up) will get you everything needed to rebuild the entire exhaust system. |
| 69J-45127-00-00 |  OEM: If you are replacing damaged exhaust components on a 3.1L V6 Fourstroke, two kits have been developed to make choosing and ordering the correct parts easier. Ordering either MAR-EXHKT-03-00 (EXH KIT F200-225 for 2002-2003 models) or MAR-EXHKT-04-00 (EXH KIT F200-250 2004 models and up) will get you everything needed to rebuild the entire exhaust system. |
| 69J-45123-00-00 |  OEM: If you are replacing damaged exhaust components on a 3.1L V6 Fourstroke, two kits have been developed to make choosing and ordering the correct parts easier. Ordering either MAR-EXHKT-03-00 (EXH KIT F200-225 for 2002-2003 models) or MAR-EXHKT-04-00 (EXH KIT F200-250 2004 models and up) will get you everything needed to rebuild the entire exhaust system. |
| 92990-06600-00 |  OEM: This part number is among the Top 100 Most Popular Marine Maintenance Parts as of August 2013. |
| 69J-15312-01-00 |  OEM: If you are replacing damaged exhaust components on a 3.1L V6 Fourstroke, two kits have been developed to make choosing and ordering the correct parts easier. Ordering either MAR-EXHKT-03-00 (EXH KIT F200-225 for 2002-2003 models) or MAR-EXHKT-04-00 (EXH KIT F200-250 2004 models and up) will get you everything needed to rebuild the entire exhaust system. |
| 92990-10600-00 |  OEM: This part number is among the Top 100 Most Popular Marine Maintenance Parts as of August 2013. |

©2013 Yamaha Motor Corporation, U.S.A. All rights reserved.

LF225TURD 2005 / OIL PAN



69J4100-D310

©2013 Yamaha Motor Corporation, U.S.A. All rights reserved.





Part List

LF225TURD 2005 / OIL PAN

| REF - NO | PART NUMBER | PART NAME | QUANTITY | REMARKS |
|----------|-----------------|----------------------|----------|---------|
| 1 | 69J-15311-00-5B | OIL PAN | 1 | |
| 2 | 69J-15761-00-00 | SEAL, RUBBER 1 | 1 | |
| 3 | 97575-08560-00 | BOLT, WITH WASHER | 10 | |
| 4 | 97095-08035-00 | BOLT | 2 | |
| 5 | 92995-08600-00 | WASHER | 2 | |
| 6 | 93608-16M16-00 | PIN, DOWEL | 2 | |
| 7 | 90340-14M06-00 | PLUG, STRAIGHT SCREW | 1 | |
| 8 | 90430-14M09-00 | .GASKET | 1 | |
| 9 | 69J-13411-00-00 | STRAINER, OIL | 1 | |
| 10 | 90387-06M64-00 | .COLLAR | 3 | |
| 11 | 69J-13415-00-00 | .SEAL, OIL STRAINER | 1 | |
| 12 | 97027-06025-00 | BOLT, HEXAGON | 3 | |
| 13 | 92907-06600-00 | WASHER, PLATE | 3 | |
| 14 | 69J-13300-00-00 | OIL PUMP ASSY | 1 | |
| 15 | 69J-13329-00-00 | .GASKET, PUMP COVER | 1 | |
| 16 | 69J-13338-00-00 | .OIL SEAL | 1 | |
| 17 | 69J-13119-00-00 | .OIL SEAL | 1 | |
| 18 | 69J-13631-00-00 | .OIL SEAL | 2 | |
| 19 | 69J-11355-00-00 | .SEAL, CYLINDER 1 | 1 | |
| 20 | 97575-06540-00 | BOLT, WITH WASHER | 4 | |
| 21 | 93210-25552-00 | O-RING | 2 | |
| 22 | 69J-15362-10-00 | PLUG, OIL LEVEL | 1 | |
| 23 | 69J-15377-00-00 | GUIDE, INLET | 1 | |
| 24 | 93210-19MJ3-00 | .O-RING | 1 | |
| 25 | 97095-06020-00 | BOLT | 1 | |
| 26 | 92995-06100-00 | WASHER, SPRING | 1 | |
| 27 | 92995-06600-00 | WASHER | 1 | |

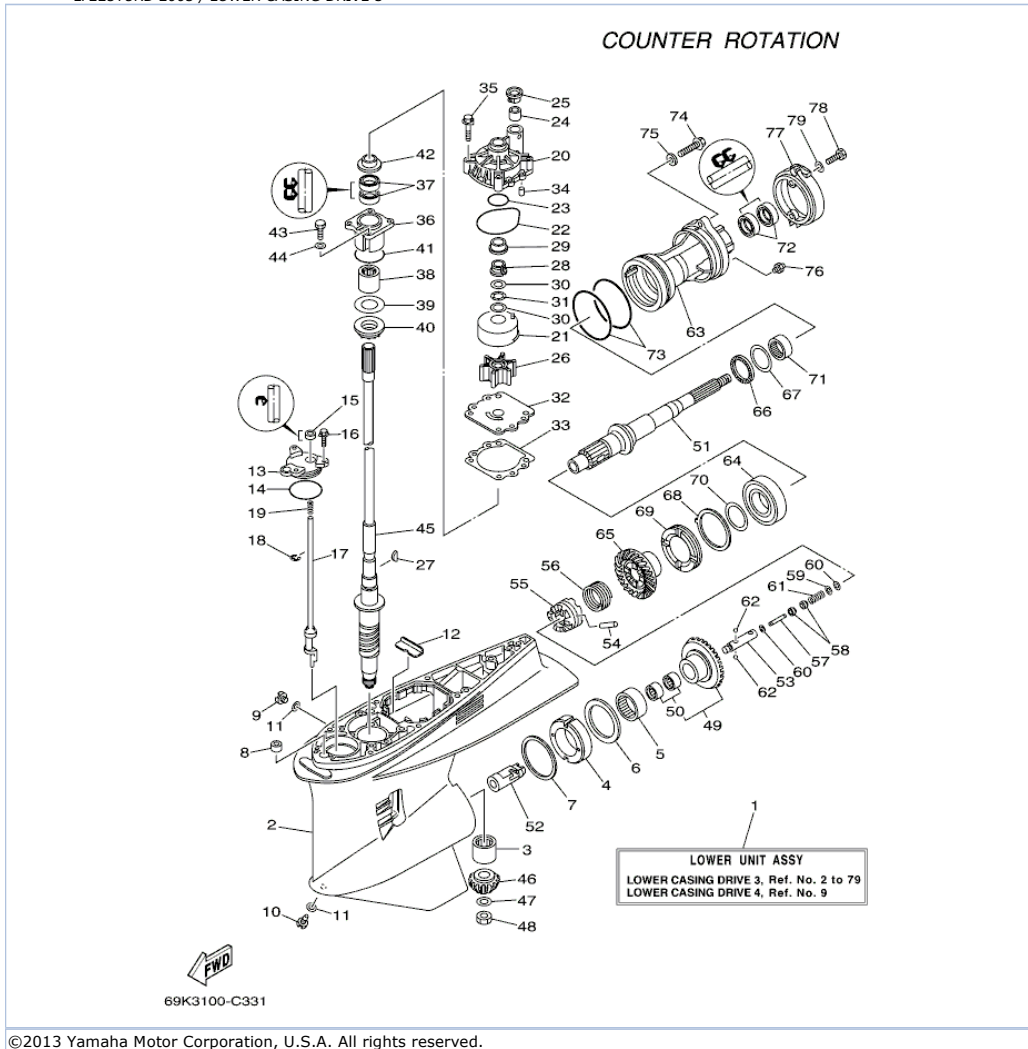
Part Notes

LF225TURD 2005 / OIL PAN

| PART NUMBER | NOTE TEXT |
|---|--|
| 69J-15761-00-00  | OEM: If you are replacing damaged exhaust components on a 3.1L V6 Fourstroke, two kits have been developed to make choosing and ordering the correct parts easier. Ordering either MAR-EXHKT-03-00 (EXH KIT F200-225 for 2002-2003 models) or MAR-EXHKT-04-00 (EXH KIT F200-250 2004 models and up) will get you everything needed to rebuild the entire exhaust system. |
| 90430-14M09-00  | OEM: This part number is among the Top 100 Most Popular Marine Maintenance Parts as of August 2013. |
| 69J-13411-00-00  | OEM: If you are replacing damaged exhaust components on a 3.1L V6 Fourstroke, two kits have been developed to make choosing and ordering the correct parts easier. Ordering either MAR-EXHKT-03-00 (EXH KIT F200-225 for 2002-2003 models) or MAR-EXHKT-04-00 (EXH KIT F200-250 2004 models and up) will get you everything needed to rebuild the entire exhaust system. |
| 92995-06100-00  | OEM: This part number is among the Top 100 Most Popular Marine Maintenance Parts as of August 2013. |

©2013 Yamaha Motor Corporation, U.S.A. All rights reserved.

LF225TURD 2005 / LOWER CASING DRIVE 3



Part List











LF225TURD 2005 / LOWER CASING DRIVE 3

| REF - NO | PART NUMBER | PART NAME | QUANTITY | REMARKS |
|----------------|-----------------|------------------------------|----------|---------|
| 1 | 69K-45300-31-8D | LOWER UNIT ASSY | 1 | UR U |
| 1 | 69K-45300-21-8D | LOWER UNIT ASSY | 1 | UR X |
| 2 | 61A-45301-10-8D | CASING, LOWER | 1 | |
| 3 | 93311-832V2-00 | BEARING | 1 | |
| 4 | 61B-45538-01-00 | SPACER 1 | 1 | |
| 5 | 93315-660W3-00 | BEARING | 1 | |
| 6 | 93341-670V0-00 | BEARING | 1 | |
| 7 | 61A-45567-00-00 | SHIM (T:0.10MM) | 1 | UR |
| 7 | 61A-45567-10-00 | SHIM (T:0.12MM) | 1 | UR |
| 7 | 61A-45567-20-00 | SHIM (T:0.15MM) | 1 | UR |
| 7 | 61A-45567-60-00 | SHIM (T:0.50MM) | 1 | UR |
| 7 | 61A-45567-40-00 | SHIM (T:0.30MM) | 1 | UR |
| 7 | 61A-45567-50-00 | SHIM (T:0.40MM) | 1 | UR |
| 7 | 61A-45567-30-00 | SHIM (T:0.18MM) | 1 | UR |
| 8 | 663-44366-00-00 | DAMPER, WATER SEAL 2 | 1 | |
| 9 | 90340-08002-00 | PLUG, STRAIGHT SCREW | 1 | |
| 10 | 688-45341-10-00 | PLUG, DRAIN | 1 | |
| 11 | 90430-08020-00 | .GASKET | 2 | |
| 12 | 61A-45376-00-94 | GUIDE, SEAL DAMPER | 1 | |
| 13 | 61A-45321-01-00 | PLATE | 1 | |
| 14 | 93210-64488-00 | .O-RING | 1 | |
| 15 | 93106-09014-00 | .OIL SEAL | 1 | |
| 16 | 90119-06M10-00 | BOLT, WITH WASHER | 3 | |
| 17 | 69K-44150-00-00 | SHIFT CAM ASSY | 1 | |
| 18 | 99001-08600-00 | CIRCLIP | 1 | |
| 19 | 90501-11M10-00 | SPRING, COMPRESSION | 1 | |
| 20 | 61A-44311-01-00 | HOUSING, WATER PUMP | 1 | |
| 21 | 61A-44322-02-00 | .INSERT, CARTRIDGE | 1 | |
| 22 | 93210-86M38-00 | .O-RING | 1 | |
| 23 | 93210-37160-00 | .O-RING | 1 | |
| 24 | 6E5-44365-00-00 | DAMPER, WATER SEAL 1 | 1 | |
| 25 | 6E5-44312-00-00 | COVER, WATER PUMP HOUSING | 1 | |
| 26 | 6E5-44352-01-00 | .IMPELLER | 1 | |
| 27 | 90280-04M05-00 | .KEY, WOODRUFF | 1 | |
| 28 | 61A-45538-00-00 | SPACER 1 | 1 | |
| 29 | 61A-45527-00-00 | COLLAR, DRIVE SHAFT | 1 | |
| 30 | 90201-22M01-00 | WASHER, PLATE | 2 | |
| 31 | 90206-22M19-00 | WASHER, WAVE | 1 | |
| 32 | 6G5-44323-00-00 | .OUTER PLATE, CARTRIDGE | 1 | |
| 33 | 6E5-44315-A0-00 | .GASKET, WATER PUMP | 1 | |
| 34 | 93606-12019-00 | .PIN, DOWEL | 2 | |
| 35 | 90119-08M14-00 | .BOLT, WITH WASHER | 4 | |
| 36 | 61A-45331-00-94 | HOUSING, BEARING | 1 | |
| 37 | 93101-28M16-00 | .OIL SEAL | 2 | |
| 38 | 93317-330U2-00 | BEARING | 1 | |
| 39 | 61A-45587-00-00 | SHIM (T:0.10MM) | 1 | UR |
| 39 | 61A-45587-10-00 | SHIM (T:0.12MM) | 1 | UR |
| 39 | 61A-45587-20-00 | SHIM (T:0.15MM) | 1 | UR |
| 39 | 61A-45587-60-00 | SHIM (T:0.50MM) | 1 | UR |
| 39 | 61A-45587-40-00 | SHIM (T:0.30MM) | 1 | UR |
| 39 | 61A-45587-50-00 | SHIM (T:0.40MM) | 1 | UR |
| 39 | 61A-45587-30-00 | SHIM (T:0.18MM) | 1 | UR |
| 40 | 93341-930U9-00 | BEARING | 1 | |
| 41 | 93210-55M14-00 | .O-RING | 1 | |
| 42 | 6E5-45344-00-00 | COVER, OIL SEAL | 1 | |
| 43 | 97095-08025-00 | BOLT | 4 | |
| 44 | 92995-08600-00 | WASHER | 4 | |
| 45 | 69J-45501-00-00 | DRIVE SHAFT COMP. | 1 | UR X |
| 45 | 61A-45501-30-00 | DRIVE SHAFT COMP. | 1 | UR U |
| 46 | 69J-45551-00-00 | PINION (15T) | 1 | |
| 47 | 90201-16M00-00 | WASHER, PLATE | 1 | |
| 48 | 90170-16M19-00 | NUT | 1 | |
| 49 | 69K-45560-00-00 | GEAR 1 (30T) | 1 | |
| 50 | 93317-428U7-00 | .BEARING | 2 | |
| 51 | 69K-45611-00-00 | SHAFT, PROPELLER | 1 | |
| 52 | 61B-45641-01-00 | SHIFTER | 1 | |

| | | | | |
|----|-----------------|---------------------|---|----|
| 53 | 61A-45634-01-00 | SLIDE, SHIFT | 1 | |
| 54 | 61A-45632-00-00 | PIN, CROSS | 1 | |
| 55 | 69J-45631-00-00 | CLUTCH, DOG | 1 | |
| 56 | 61A-45633-00-00 | RING, CROSS PIN | 1 | |
| 57 | 6H1-45668-00-00 | SHAFT, FREE 1 | 1 | |
| 58 | 61A-45635-00-00 | PLUNGER, SHIFT | 2 | |
| 59 | 90201-02M00-00 | WASHER, PLATE | 1 | |
| 60 | 90183-02M03-00 | NUT, SPRING | 2 | |
| 61 | 90501-10M77-00 | SPRING, COMPRESSION | 1 | |
| 62 | 93501-04011-00 | .BALL | 2 | |
| 63 | 69K-45332-00-94 | HOUSING, BEARING | 1 | |
| 64 | 93332-00048-00 | BEARING | 1 | |
| 65 | 69K-45571-00-00 | GEAR 2 (30T) | 1 | |
| 66 | 93341-440U5-00 | BEARING | 1 | |
| 67 | 6K1-45578-01-00 | SHIM (T:0.10MM) | 1 | UR |
| 67 | 6K1-45578-10-00 | SHIM (T:0.12MM) | 1 | UR |
| 67 | 6K1-45578-20-00 | SHIM (T:0.15MM) | 1 | UR |
| 67 | 6K1-45578-60-00 | SHIM (T:0.50MM) | 1 | UR |
| 67 | 6K1-45578-40-00 | SHIM (T:0.30MM) | 1 | UR |
| 67 | 6K1-45578-50-00 | SHIM (T:0.40MM) | 1 | UR |
| 67 | 6K1-45578-30-00 | SHIM (T:0.18MM) | 1 | UR |
| 68 | 61B-45383-00-00 | WASHER, CLAW | 1 | |
| 69 | 69K-45384-00-00 | NUT | 1 | |
| 70 | 69K-45577-00-00 | SHIM (T:0.10MM) | 1 | UR |
| 70 | 69K-45577-10-00 | SHIM (T:0.12MM) | 1 | UR |
| 70 | 69K-45577-20-00 | SHIM (T:0.15MM) | 1 | UR |
| 70 | 69K-45577-60-00 | SHIM (T:0.50MM) | 1 | UR |
| 70 | 69K-45577-40-00 | SHIM (T:0.30MM) | 1 | UR |
| 70 | 69K-45577-50-00 | SHIM (T:0.40MM) | 1 | UR |
| 70 | 69K-45577-30-00 | SHIM (T:0.18MM) | 1 | UR |
| 71 | 93315-43061-00 | BEARING | 1 | |
| 72 | 93101-30M17-00 | .OIL SEAL | 2 | |
| 73 | 93211-04384-00 | .O-RING | 2 | |
| 74 | 90105-08036-00 | BOLT, FLANGE | 2 | |
| 75 | 90201-08023-00 | WASHER, PLATE | 2 | |
| 76 | 93700-09M00-00 | NIPPLE, GREASE | 1 | |
| 77 | 69J-45361-00-8D | CAP, LOWER CASING | 1 | |
| 78 | 97095-08020-00 | BOLT | 2 | |
| 79 | 92995-08600-00 | WASHER | 2 | |

Part Notes

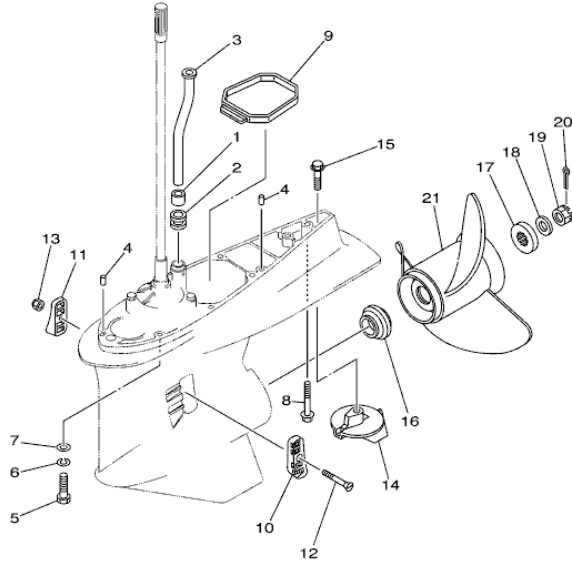
LF225TURD 2005 / LOWER CASING DRIVE 3

| PART NUMBER | | NOTE TEXT |
|-----------------|---|---|
| 90430-08020-00 |  | OEM: This part number is among the Top 100 Most Popular Marine Maintenance Parts as of August 2013. |
| 93106-09014-00 |  | OEM: This part number is among the Top 100 Most Popular Marine Maintenance Parts as of August 2013. |
| 61A-44311-01-00 |  | OEM: This part number is among the Top 100 Most Popular Marine Maintenance Parts as of August 2013. |
| 93210-86M38-00 |  | OEM: This part number is among the Top 100 Most Popular Marine Maintenance Parts as of August 2013. |
| 6E5-44352-01-00 |  | OEM: This part number is among the Top 100 Most Popular Marine Maintenance Parts as of August 2013. |
| 61A-45538-00-00 |  | OEM: This part number is among the Top 100 Most Popular Marine Maintenance Parts as of August 2013. |
| 61A-45527-00-00 |  | OEM: This part number is among the Top 100 Most Popular Marine Maintenance Parts as of August 2013. |
| 90201-22M01-00 |  | OEM: This part number is among the Top 100 Most Popular Marine Maintenance Parts as of August 2013. |
| 93101-28M16-00 |  | OEM: This part number is among the Top 100 Most Popular Marine Maintenance Parts as of August 2013. |
| 93101-30M17-00 |  | OEM: This part number is among the Top 100 Most Popular Marine Maintenance Parts as of August 2013. |

©2013 Yamaha Motor Corporation, U.S.A. All rights reserved.

LF225TURD 2005 / LOWER CASING DRIVE 4

COUNTER ROTATION




69K2100-3340

©2013 Yamaha Motor Corporation, U.S.A. All rights reserved.




Part List

LF225TURD 2005 / LOWER CASING DRIVE 4

| REF - NO | PART NUMBER | PART NAME | QUANTITY | REMARKS |
|----------|-----------------|--------------------------------------|----------|---------|
| 1 | 6E5-44365-00-00 | DAMPER, WATER SEAL 1 | 1 | |
| 2 | 6E5-44366-00-00 | DAMPER, WATER SEAL 2 | 1 | |
| 3 | 69J-44361-10-00 | TUBE, WATER | 1 | UR U |
| 3 | 69J-44361-00-00 | TUBE, WATER | 1 | UR X |
| 4 | 93608-12M05-00 | PIN, DOWEL | 2 | |
| 5 | 97095-10045-00 | BOLT | 7 | X |
| 6 | 92995-10100-00 | WASHER | 7 | X |
| 7 | 92995-10600-00 | WASHER | 7 | X |
| 8 | 90119-10009-00 | BOLT, WITH WASHER | 1 | UR U |
| 8 | 90119-10MA2-00 | BOLT, WITH WASHER | 1 | UR X |
| 9 | 69J-45375-00-00 | DAMPER, SEAL | 1 | |
| 10 | 61A-45214-10-00 | COVER, WATER INLET 1 | 1 | |
| 11 | 61A-45215-10-00 | COVER, WATER INLET 2 | 1 | |
| 12 | 90152-05003-00 | SCREW, COUNTERSUNK | 1 | |
| 13 | 90185-05002-00 | NUT, NYLON | 1 | |
| 14 | 61A-45371-00-00 | TAB-TRIM | 1 | |
| 15 | 90105-10M00-00 | BOLT, FLANGE | 1 | |
| 16 | 69J-45987-00-00 | SPACER 1 | 1 | |
| 17 | 688-45997-01-00 | SPACER 2 | 1 | |
| 18 | 92990-18200-00 | WASHER | 1 | |
| 19 | 90171-18M04-00 | NUT, CASTLE | 1 | |
| 20 | 91490-40030-00 | PIN. COTTER | 1 | |
| 21 | 6K1-45972-01-98 | PROPELLER (3X13-3/4"X21"-ML) | 1 | UR |
| 21 | 6K1-45970-01-98 | PROPELLER (3X15-1/4"X15"-ML) | 1 | UR |
| 21 | 61B-45974-00-98 | PROPELLER (3X14-1/2"X19"-TL) | 1 | UR |
| 21 | 61B-45978-00-98 | PROPELLER (3X15"X17"-TL) | 1 | UR |
| 21 | 61B-45972-00-98 | PROPELLER (3X14-1/2"X21"-TL) | 1 | UR |
| 21 | 6R1-45974-A0-00 | PROPELLER (3X14-1/2"X23"-ML) | 1 | UR |
| 21 | 6K1-45978-02-98 | PROPELLER (3X13-3/4"X17"-ML1) | 1 | UR |
| 21 | 6R1-45976-A0-00 | PROPELLER (3X15-1/4"X15"-ML) | 1 | UR |
| 21 | 6R1-45978-A0-00 | PROPELLER (3X15-1/4"X17"-ML) | 1 | UR |
| 21 | 6R1-45970-A0-00 | PROPELLER, SS (3 X 15-1/4" X 19"-ML) | 1 | UR |
| 21 | 6R1-45972-A0-00 | PROPELLER (3X14-7/8"X21"-ML) | 1 | UR |
| 21 | 6K1-45974-02-98 | PROPELLER (3X13-3/4"X19"-ML1) | 1 | UR |

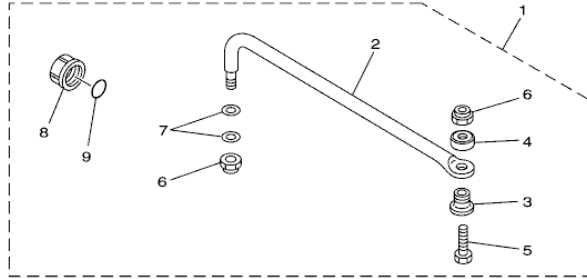
Part Notes

LF225TURD 2005 / LOWER CASING DRIVE 4

| PART NUMBER | NOTE TEXT |
|---|---|
| 61A-45371-00-00  | OEM: This part number is among the Top 100 Most Popular Marine Maintenance Parts as of August 2013. |
| 90105-10M00-00  | OEM: This part number is among the Top 100 Most Popular Marine Maintenance Parts as of August 2013. |
| 91490-40030-00  | OEM: This part number is among the Top 100 Most Popular Marine Maintenance Parts as of August 2013. |

©2013 Yamaha Motor Corporation, U.S.A. All rights reserved.

LF225TURD 2005 / STEERING GUIDE



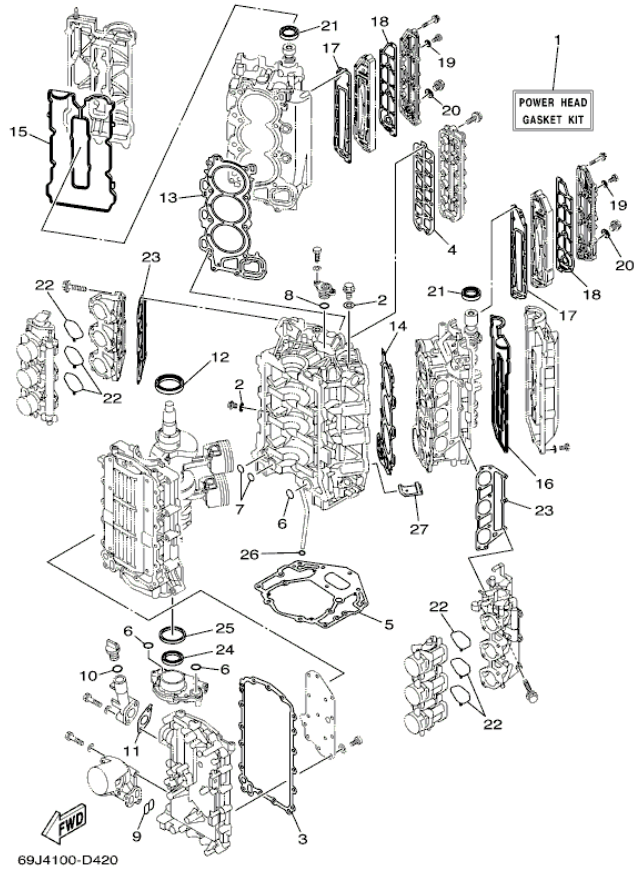
60V2100-C330

Part List

LF225TURD 2005 / STEERING GUIDE

| REF - NO | PART NUMBER | PART NAME | QUANTITY | REMARKS |
|----------------|-----------------|----------------------------------|----------|--------------|
| 1 | 6E5-61350-02-00 | STEERING GUIDE ATTACHMENT KIT | 1 | AP F200/F225 |
| 2 | 6E5-61351-01-00 | .ROD, STEERING LINK | 1 | |
| 3 | 90387-10M61-00 | .COLLAR | 1 | |
| 4 | 90560-12M01-00 | .SPACER | 1 | |
| 5 | 6E5-61355-00-00 | .BOLT | 1 | |
| 6 | 90185-09M01-00 | .NUT, SELF-LOCKING | 2 | |
| 7 | 90201-10M20-00 | .WASHER, PLATE | 2 | |
| 8 | 6E5-43145-01-00 | .CAP, CLAMP BRACKET | 1 | |
| 9 | 93210-16275-00 | .O-RING | 1 | |

LF225TURD 2005 / REPAIR KIT 1



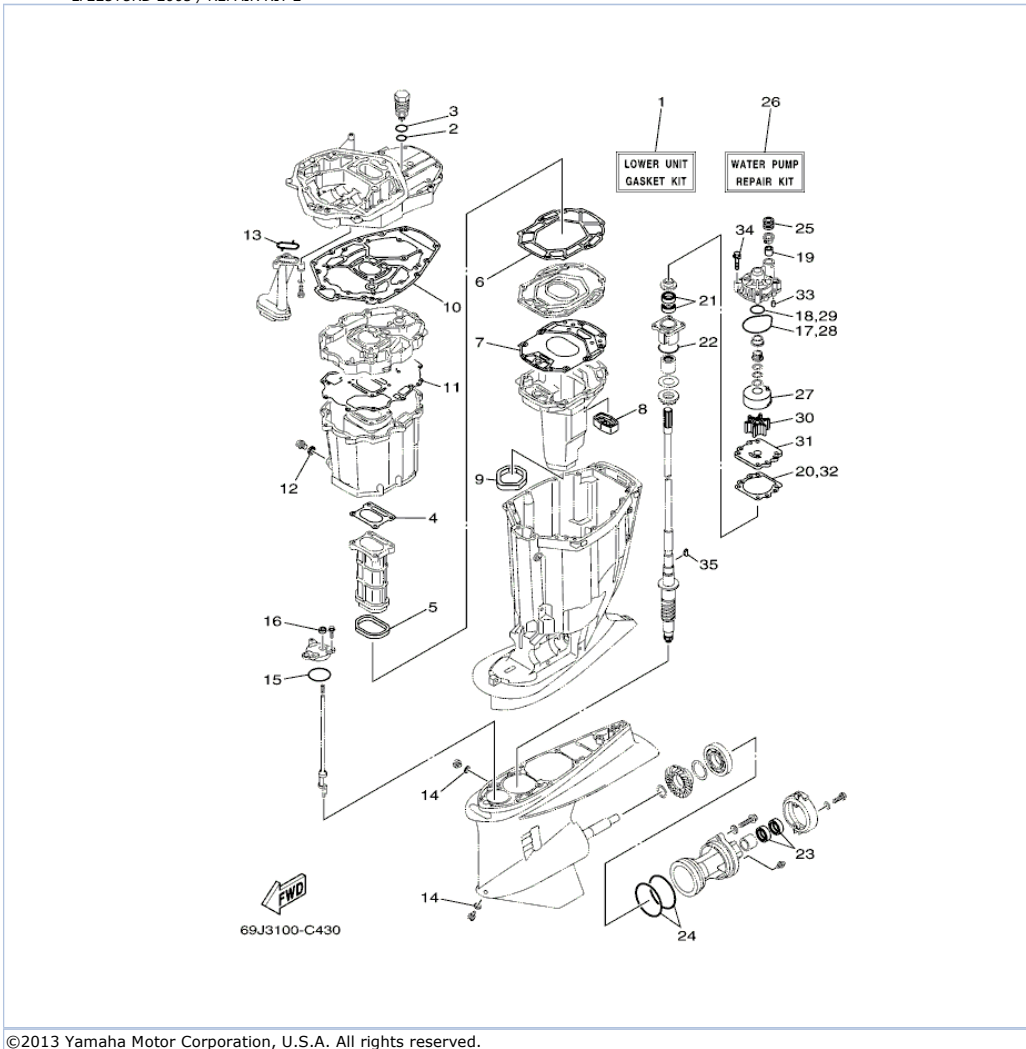
©2013 Yamaha Motor Corporation, U.S.A. All rights reserved.

Part List

LF225TURD 2005 / REPAIR KIT 1

| REF - NO | PART NUMBER | PART NAME | QUANTITY | REMARKS |
|----------------|-----------------|---------------------------------|----------|---------|
| 1 | 69J-W0001-03-00 | POWER HEAD GASKET KIT | 1 | |
| 2 | 90430-14115-00 | .GASKET | 2 | |
| 3 | 69J-15451-00-00 | .GASKET, CRANKCASE COVER 1 | 1 | |
| 4 | 69J-1131B-00-00 | .GASKET, COVER | 1 | |
| 5 | 69J-11351-10-00 | .GASKET, CYLINDER | 1 | |
| 6 | 93210-25552-00 | .O-RING | 3 | |
| 7 | 93210-19MJ1-00 | .O-RING | 2 | |
| 8 | 93210-25647-00 | .O-RING | 1 | |
| 9 | 69J-13477-00-00 | .GASKET | 1 | |
| 10 | 93210-24M79-00 | .O-RING | 1 | |
| 11 | 69J-15364-A0-00 | .GASKET, OIL PLUG | 1 | |
| 12 | 93102-63004-00 | .OIL SEAL | 1 | |
| 13 | 69J-11181-02-00 | .GASKET, CYLINDER HEAD 1 | 1 | |
| 14 | 69J-11182-02-00 | .GASKET, CYLINDER HEAD 2 | 1 | |
| 15 | 69J-11193-01-00 | .GASKET, HEAD COVER 1 | 1 | |
| 16 | 69J-11194-00-00 | .GASKET, HEAD COVER 2 | 1 | |
| 17 | 69J-41112-01-00 | .GASKET, EXHAUST INNER COVER | 2 | |
| 18 | 69J-41114-01-00 | .GASKET, EXHAUST OUTER COVER | 2 | |
| 19 | 90430-08143-00 | .GASKET | 4 | |
| 20 | 90430-18130-00 | .GASKET | 2 | |
| 21 | 93102-38M59-00 | .OIL SEAL | 2 | |
| 22 | 69J-13557-00-00 | .GASKET | 6 | |
| 23 | 69J-13645-00-00 | .GASKET, MANIFOLD 1 | 2 | |
| 24 | 69J-13338-00-00 | .OIL SEAL | 1 | |
| 25 | 69J-11355-00-00 | .SEAL, CYLINDER 1 | 1 | |
| 26 | 93210-19MJ3-00 | .O-RING | 1 | |
| 27 | 69J-14664-00-00 | .GROMMET, WATER SHUT | 2 | |

LF225TURD 2005 / REPAIR KIT 2














Part List





LF225TURD 2005 / REPAIR KIT 2

| REF - NO | PART NUMBER | PART NAME | QUANTITY | REMARKS |
|----------|-----------------|-----------------------------|----------|---------|
| 1 | 69J-W0001-21-00 | LOWER UNIT GASKET KIT | 1 | |
| 2 | 93210-28543-00 | .O-RING | 1 | |
| 3 | 93210-33MG4-00 | .O-RING | 1 | |
| 4 | 69J-41134-A0-00 | .GASKET, EXHAUST MANIFOLD | 1 | |
| 5 | 69J-41138-00-00 | .SEAL, EXT 1 | 1 | |
| 6 | 69J-41135-A0-00 | .GASKET, EXHAUST MANIFOLD | 1 | |
| 7 | 69J-41136-A0-00 | .GASKET, EXHAUST MANIFOLD 4 | 1 | |
| 8 | 69J-45127-00-00 | .SEAL | 1 | |
| 9 | 69J-45123-00-00 | .GASKET, MUFFLER | 1 | |
| 10 | 69J-45113-10-00 | .GASKET, UPPER CASING | 1 | |
| 11 | 69J-15312-01-00 | .GASKET, OIL PAN | 1 | |
| 12 | 90430-14M09-00 | .GASKET | 1 | |
| 13 | 69J-13415-00-00 | .SEAL, OIL STRAINER | 1 | |
| 14 | 90430-08020-00 | .GASKET | 2 | |
| 15 | 93210-64488-00 | .O-RING | 1 | |
| 16 | 93106-09014-00 | .OIL SEAL | 1 | |
| 17 | 93210-86M38-00 | .O-RING | 1 | |
| 18 | 93210-37160-00 | .O-RING | 1 | |
| 19 | 6E5-44365-00-00 | .DAMPER, WATER SEAL 1 | 1 | |
| 20 | 6E5-44315-A0-00 | .GASKET, WATER PUMP | 1 | |
| 21 | 93101-28M16-00 | .OIL SEAL | 2 | |
| 22 | 93210-55M14-00 | .O-RING | 1 | |
| 23 | 93101-30M17-00 | .OIL SEAL | 2 | |
| 24 | 93211-04384-00 | .O-RING | 2 | |
| 25 | 6E5-44366-00-00 | .DAMPER, WATER SEAL 2 | 1 | |
| 26 | 61A-W0078-A3-00 | WATER PUMP REPAIR KIT | 1 | |
| 27 | 61A-44322-02-00 | .INSERT, CARTRIDGE | 1 | |
| 28 | 93210-86M38-00 | .O-RING | 1 | |
| 29 | 93210-37160-00 | .O-RING | 1 | |
| 30 | 6E5-44352-01-00 | .IMPELLER | 1 | |
| 31 | 6G5-44323-00-00 | .OUTER PLATE, CARTRIDGE | 1 | |
| 32 | 6E5-44315-A0-00 | .GASKET, WATER PUMP | 1 | |
| 33 | 93606-12019-00 | .PIN, DOWEL | 2 | |
| 34 | 90119-08M14-00 | .BOLT, WITH WASHER | 4 | |
| 35 | 90280-04M05-00 | .KEY, WOODRUFF | 1 | |

Part Notes

LF225TURD 2005 / REPAIR KIT 2

| PART NUMBER | NOTE TEXT |
|-----------------|--|
| 69J-41134-A0-00 |  OEM: If you are replacing damaged exhaust components on a 3.1L V6 Fourstroke, two kits have been developed to make choosing and ordering the correct parts easier. Ordering either MAR-EXHKT-03-00 (EXH KIT F200-225 for 2002-2003 models) or MAR-EXHKT-04-00 (EXH KIT F200-250 2004 models and up) will get you everything needed to rebuild the entire exhaust system. |
| 69J-41138-00-00 |  OEM: If you are replacing damaged exhaust components on a 3.1L V6 Fourstroke, two kits have been developed to make choosing and ordering the correct parts easier. Ordering either MAR-EXHKT-03-00 (EXH KIT F200-225 for 2002-2003 models) or MAR-EXHKT-04-00 (EXH KIT F200-250 2004 models and up) will get you everything needed to rebuild the entire exhaust system. |
| 69J-41135-A0-00 |  OEM: If you are replacing damaged exhaust components on a 3.1L V6 Fourstroke, two kits have been developed to make choosing and ordering the correct parts easier. Ordering either MAR-EXHKT-03-00 (EXH KIT F200-225 for 2002-2003 models) or MAR-EXHKT-04-00 (EXH KIT F200-250 2004 models and up) will get you everything needed to rebuild the entire exhaust system. |
| 69J-45127-00-00 |  OEM: If you are replacing damaged exhaust components on a 3.1L V6 Fourstroke, two kits have been developed to make choosing and ordering the correct parts easier. Ordering either MAR-EXHKT-03-00 (EXH KIT F200-225 for 2002-2003 models) or MAR-EXHKT-04-00 (EXH KIT F200-250 2004 models and up) will get you everything needed to rebuild the entire exhaust system. |
| 69J-45123-00-00 |  OEM: If you are replacing damaged exhaust components on a 3.1L V6 Fourstroke, two kits have been developed to make choosing and ordering the correct parts easier. Ordering either MAR-EXHKT-03-00 (EXH KIT F200-225 for 2002-2003 models) or MAR-EXHKT-04-00 (EXH KIT F200-250 2004 models and up) will get you everything needed to rebuild the entire exhaust system. |
| 69J-15312-01-00 |  OEM: If you are replacing damaged exhaust components on a 3.1L V6 Fourstroke, two kits have been developed to make choosing and ordering the correct parts easier. Ordering either MAR-EXHKT-03-00 (EXH KIT F200-225 for 2002-2003 models) or MAR-EXHKT-04-00 (EXH KIT F200-250 2004 models and up) will get you everything needed to rebuild the entire exhaust system. |
| 90430-14M09-00 |  OEM: This part number is among the Top 100 Most Popular Marine Maintenance Parts as of August 2013. |
| 90430-08020-00 |  OEM: This part number is among the Top 100 Most Popular Marine Maintenance Parts as of August 2013. |
| 93106-09014-00 |  OEM: This part number is among the Top 100 Most Popular Marine Maintenance Parts as of August 2013. |
| 93210-86M38-00 |  OEM: This part number is among the Top 100 Most Popular Marine Maintenance Parts as of August 2013. |
| 93101-28M16-00 |  OEM: This part number is among the Top 100 Most Popular Marine Maintenance Parts as of August 2013. |

| | | |
|-----------------|---|---|
| 00 | | |
| 93101-30M17-00 |  | OEM: This part number is among the Top 100 Most Popular Marine Maintenance Parts as of August 2013. |
| 61A-W0078-A3-00 |  | OEM: This part number is among the Top 100 Most Popular Marine Maintenance Parts as of August 2013. |
| 93210-86M38-00 |  | OEM: This part number is among the Top 100 Most Popular Marine Maintenance Parts as of August 2013. |
| 6E5-44352-01-00 |  | OEM: This part number is among the Top 100 Most Popular Marine Maintenance Parts as of August 2013. |

©2013 Yamaha Motor Corporation, U.S.A. All rights reserved.

©2013 Yamaha Motor Corporation, U.S.A. All rights reserved.