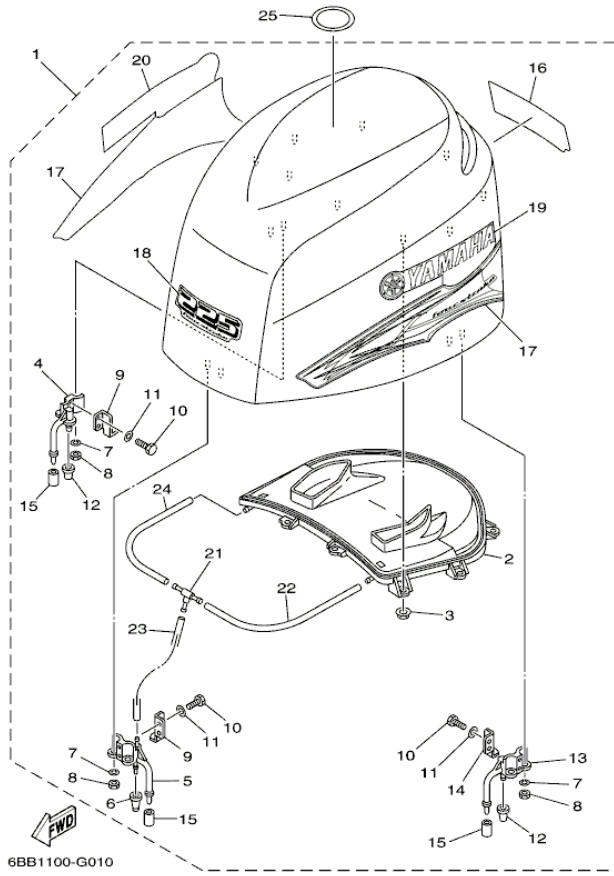


F225TLR 0408 / TOP COWLING



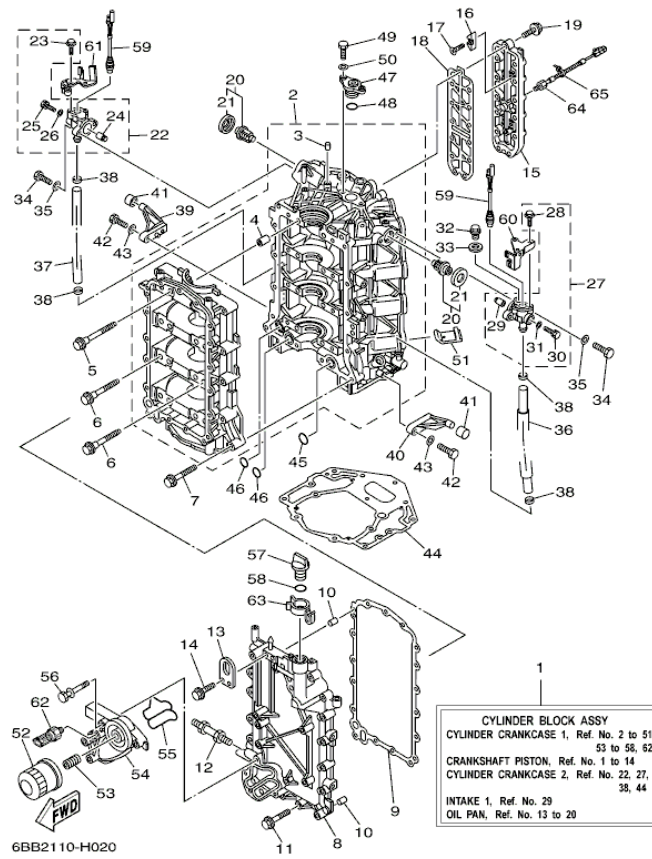
©2013 Yamaha Motor Corporation, U.S.A. All rights reserved.

Part List

F225TLR 0408 / TOP COWLING

REF - NO	PART NUMBER	PART NAME	QUANTITY	REMARKS
1	6BB-42610-00-8D	TOP COWLING ASSY	1	
2	6P2-42613-00-00	.MOLDING, AIR DUCT	1	
3	90179-06M28-00	.NUT	9	
4	68F-42647-01-94	.HOLDER, CLAMP BAND	1	
5	69J-42647-00-94	.HOLDER, CLAMP BAND	1	
6	69J-42663-00-00	.DAMPER	1	
7	92990-06100-00	.WASHER, SPRING	6	
8	95380-06600-00	.NUT, HEXAGON	6	
9	60V-42651-01-00	.HOOK	2	
10	97095-06016-00	.BOLT	6	
11	92995-06600-00	.WASHER	6	
12	68F-42663-00-00	.DAMPER	2	
13	68F-42648-01-94	.HOLDER, CLAMP BAND	1	
14	60V-42652-00-00	.HOOK	1	
15	67F-13448-00-00	.CAP	3	
16	6BB-42678-00-00	.GRAPHIC, REAR	1	
17	6BB-W0070-00-00	.GRAPHIC SET	1	
18	6BB-42677-00-00	.GRAPHIC, FRONT	1	
19	6BB-42681-00-00	.MARK, COWLING	1	
20	6BB-42682-00-00	.MARK, COWLING	1	
21	69J-24378-00-00	.PIPE, JOINT 3	1	
22	90445-11M27-00	.HOSE (L240)	1	
23	90445-11699-00	.HOSE (L500)	1	
24	90445-11182-00	.HOSE (L300)	1	
25	67F-13434-10-00	LABEL, CAUTION	1	

F225TLR 0408 / CYLINDER CRANKCASE 1



©2013 Yamaha Motor Corporation, U.S.A. All rights reserved.

Part List

F225TLR 0408 / CYLINDER CRANKCASE 1

REF - NO	PART NUMBER	PART NAME	QUANTITY	REMARKS
1	6P2-W009B-04-9S	CYLINDER BLOCK ASSY	1	
2	6P2-15100-01-9S	CRANKCASE ASSY	1	
3	93606-12019-00	.PIN, DOWEL	1	
4	91814-18001-00	.PIN, DOWEL	8	
5	69J-15187-00-00	BOLT	8	
6	69J-15481-00-00	BOLT 1	8	
7	90119-08M66-00	BOLT, WITH WASHER	13	
8	6P2-15411-01-9S	COVER, CRANKCASE 1	1	
9	69J-15451-00-00	.GASKET, CRANKCASE COVER 1	1	
10	93606-12019-00	.PIN, DOWEL	2	
11	90119-08009-00	BOLT, WITH WASHER	17	
12	90116-10027-00	BOLT, STUD	1	
13	69J-11119-00-00	HANGER, ENGINE	1	
14	90119-06MA2-00	BOLT, WITH WASHER	2	
15	6P2-1131C-00-9S	COVER, JOINT	1	
16	6E5-11325-00-00	ANODE	4	
17	98780-04015-00	SCREW, FLAT HEAD	4	
18	6P2-1131B-00-00	.GASKET, COVER	1	
19	90119-06MA4-00	BOLT, WITH WASHER	13	
20	67F-12411-01-00	THERMOSTAT	2	
21	67F-12412-00-00	.SEAL, THERMOSTAT	1	
22	6P2-1240H-00-9S	ANODE ASSY	1	
23	90109-06M80-00	.BOLT	2	
24	6P3-11325-00-00	.ANODE	1	
25	90105-05012-00	.BOLT, FLANGE	1	
26	90430-05002-00	.GASKET	1	
27	6P3-1240H-00-9S	ANODE ASSY	1	
28	90109-06M80-00	.BOLT	2	
29	6P3-11325-00-00	.ANODE	1	
30	90105-05012-00	.BOLT, FLANGE	1	
31	90430-05002-00	.GASKET	1	
32	90340-14M06-00	PLUG, STRAIGHT SCREW	1	
33	90430-14115-00	.GASKET	1	
34	97095-06025-00	BOLT	4	
35	92995-06600-00	WASHER	4	
36	6P2-1243A-00-00	HOSE 1	1	
37	69J-1243E-00-00	HOSE 2	1	
38	90465-11M10-00	CLAMP	4	
39	67F-42761-01-94	STOPPER	1	
40	6P2-42761-00-94	STOPPER	1	
41	68F-44533-01-00	DAMPER, UPPER MOUNT RUBBER	2	
42	97095-06025-00	BOLT	4	
43	92995-06600-00	WASHER	4	
44	69J-11351-11-00	.GASKET, CYLINDER	1	
45	93210-25552-00	O-RING	1	
46	93210-19MJ1-00	.O-RING	2	
47	69J-11313-00-94	PLUG, BLIND	1	
48	93210-25647-00	.O-RING	1	
49	97095-06020-00	BOLT	2	
50	92995-06600-00	WASHER	2	
51	69J-14664-00-00	.GROMMET, WATER SHUT	2	
52	69J-13440-01-00	ELEMENT ASSY, OIL CLEANER	1	
53	69J-12858-00-00	BOLT, UNION	1	
54	6P2-13446-00-9S	CONNECTOR	1	
55	6P2-13477-00-00	.GASKET	1	
56	90119-06025-00	BOLT, WITH WASHER	5	
57	6G8-15363-00-00	PLUG, OIL	1	
58	93210-24M79-00	.O-RING	1	
59	6P2-82560-01-00	THERMO SWITCH ASSY	2	
60	6P2-82588-00-00	PLATE	1	
61	6P2-82389-00-00	PLATE 2	1	
62	6AW-83651-00-00	SENDER, OIL PRESSURE	1	
63	6P2-83597-00-00	CLAMP	1	
64	6P2-85780-00-00	SENSOR, KNOCK	1	




65 90465-11M10-00

CLAMP

1

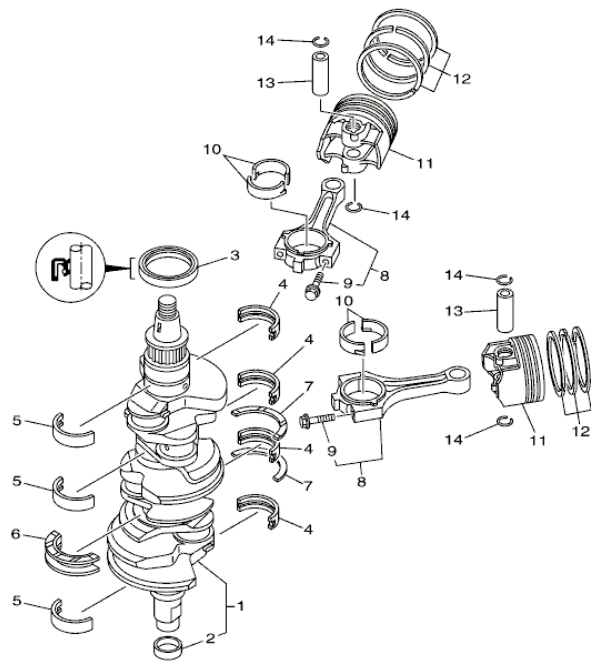
Part Notes

F225TLR 0408 / CYLINDER CRANKCASE 1

PART NUMBER		NOTE TEXT
67F-12411-01-00		OEM: This part number is among the Top 100 Most Popular Marine Maintenance Parts as of August 2013.
67F-42761-01-94		OEM: STOPPER used on F115TLR and F/LF115TXR 0410 Production and Earlier
69J-13440-01-00		OEM: This part number is among the Top 100 Most Popular Marine Maintenance Parts as of August 2013.

©2013 Yamaha Motor Corporation, U.S.A. All rights reserved.

F225TLR 0408 / CRANKSHAFT PISTON



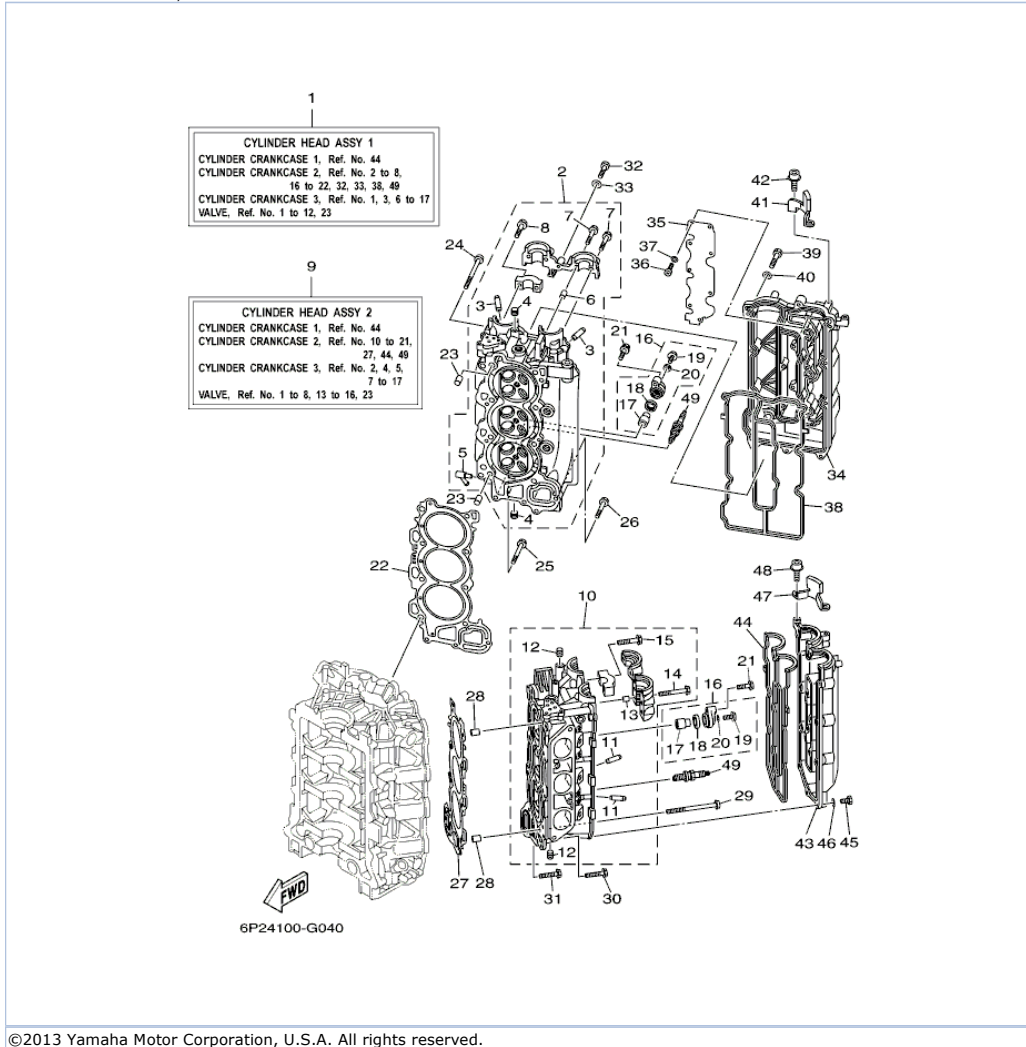
6P25110-H030

Part List

F225TLR 0408 / CRANKSHAFT PISTON

REF - NO	PART NUMBER	PART NAME	QUANTITY	REMARKS
1	6P2-11410-01-00	CRANKSHAFT	1	
2	69J-11478-00-00	.COLLAR	1	
3	93102-63004-00	OIL SEAL	1	
4	69J-11416-11-00	PLANE BEARING, CRANKSHAFT 1	4	UR #2
4	69J-11416-21-00	PLANE BEARING, CRANKSHAFT 1	4	UR #3
4	69J-11416-01-00	PLANE BEARING, CRANKSHAFT 1	4	UR #1
5	69J-11417-01-00	PLANE BEARING, CRANKSHAFT 2	3	UR #1
5	69J-11417-21-00	PLANE BEARING, CRANKSHAFT 2	3	UR #3
5	69J-11417-11-00	PLANE BEARING, CRANKSHAFT 2	3	UR #2
6	69J-11426-11-00	BEARING, THRUST 1	1	UR #2
6	69J-11426-21-00	BEARING, THRUST 1	1	UR #3
6	69J-11426-01-00	BEARING, THRUST 1	1	UR #1
7	69J-11427-00-00	BEARING, THRUST 2	2	
8	69J-W1165-01-00	CONNECTING ROD ASSY	6	
9	69J-11654-00-00	.BOLT, CONNECTING ROD	2	
10	69J-11656-20-00	PLANE BEARING, CONNECTING ROD	12	UR BLUE
10	69J-11656-10-00	PLANE BEARING, CONNECTING	12	UR GREEN
10	69J-11656-00-00	PLANE BEARING, CONNECTING ROD	12	UR YELLOW
11	6P2-11631-01-B0	PISTON (STD)	6	
12	63P-11603-01-00	PISTON RING SET (STD)	6	
13	69J-11633-00-00	PIN, PISTON	6	
14	69J-11634-01-00	CLIP, PISTON PIN	12	

F225TLR 0408 / CYLINDER CRANKCASE 2





Part List

F225TLR 0408 / CYLINDER CRANKCASE 2

REF - NO	PART NUMBER	PART NAME	QUANTITY	REMARKS
1	6P2-W009A-02-9S	CYLINDER HEAD COMPLETE	1	
2	6P2-11110-01-9S	CYLINDER HEAD ASSY	1	
3	69J-11133-10-00	.GUIDE, VALVE 1	12	
4	90344-51019-00	.PLUG, TAPER SCREW	7	
5	676-11372-00-00	.NIPPLE, HOSE	1	
6	91809-08006-00	.PIN, DOWEL	2	
7	90119-07001-00	.BOLT, WITH WASHER	4	
8	90119-07234-00	.BOLT, WITH WASHER	14	
9	6P2-W009C-02-9S	CYLINDER HEAD 2 COMPLETE	1	
10	6P2-11120-01-9S	CYLINDER HEAD ASSY 2	1	
11	69J-11133-10-00	.GUIDE, VALVE 1	12	
12	90344-51019-00	.PLUG, TAPER SCREW	3	
13	91809-08006-00	.PIN, DOWEL	4	
14	90119-07235-00	.BOLT/WASHER-CAM CAPS	6	
15	90119-07234-00	.BOLT, WITH WASHER	12	
16	69J-11301-10-00	ANODE COVER ASSY	4	
17	68V-11325-02-00	.ANODE	1	
18	67F-11328-00-00	.GROMMET, ANODE	1	
19	90105-06M07-00	.BOLT, FLANGE	1	
20	90430-06M03-00	.GASKET	1	
21	97575-08540-00	BOLT, WITH WASHER	4	
22	6P2-11181-00-00	.GASKET, CYLINDER HEAD 1	1	
23	90387-10M08-00	COLLAR	2	
24	90155-10002-00	SCREW, FLAT FILLISTER	8	
25	90119-08M91-00	BOLT, WITH WASHER	2	
26	90119-08021-00	BOLT, WITH WASHER	1	
27	6P2-11182-00-00	.GASKET, CYLINDER HEAD 2	1	
28	90387-10M08-00	COLLAR	2	
29	90155-10002-00	SCREW, FLAT FILLISTER	8	
30	90119-08M91-00	BOLT, WITH WASHER	2	
31	90119-08021-00	BOLT, WITH WASHER	1	
32	97095-06030-00	BOLT	1	
33	92995-06600-00	WASHER	1	
34	6P2-11191-00-9S	COVER, CYLINDER HEAD 1	1	
35	6P2-11135-00-00	PLATE, BREATHER 3	1	
36	98507-04008-00	..SCREW, PAN HEAD	9	
37	92907-04600-00	.WASHER	9	
38	6P2-11193-00-00	.GASKET, HEAD COVER 1	1	
39	97095-06030-00	BOLT	14	
40	92995-06600-00	WASHER	14	
41	6P2-15142-00-00	GUIDE 1	1	
42	90110-06150-00	BOLT, HEXAGON SOCKET HEAD	2	
43	6P2-11192-00-9S	COVER, CYLINDER HEAD 2	1	
44	6P2-11194-00-00	.GASKET, HEAD COVER 2	1	
45	97095-06030-00	BOLT	14	
46	92995-06600-00	WASHER	14	
47	6P2-15143-00-00	GUIDE	1	
48	90110-06150-00	BOLT, HEXAGON SOCKET HEAD	2	
49	NGK-LFR6A-11-00	PLUG, SPARK (NGK LFR6A- 11)	6	

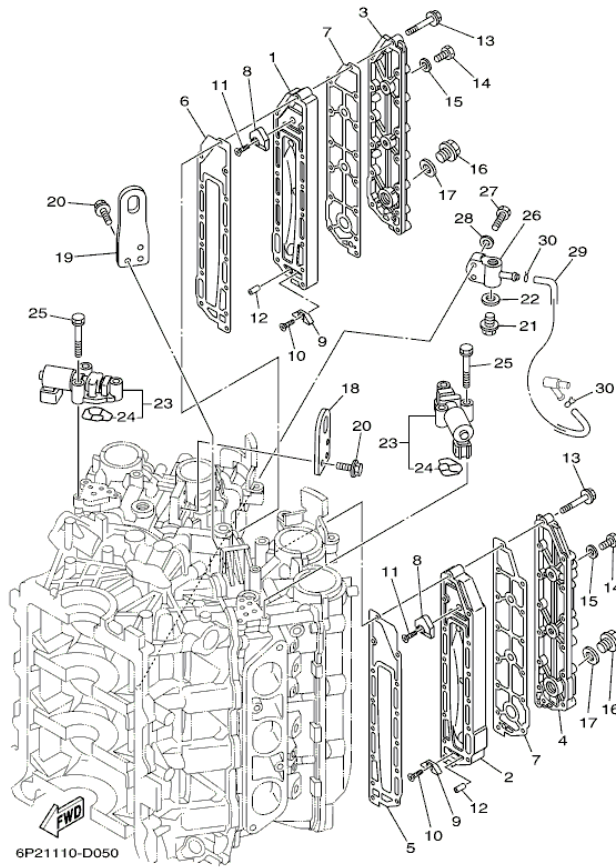
Part Notes

F225TLR 0408 / CYLINDER CRANKCASE 2

PART NUMBER	NOTE TEXT
68V-11325-02-00 	OEM: This part number is among the Top 100 Most Popular Marine Maintenance Parts as of August 2013.
67F-11328-00-00 	OEM: This part number is among the Top 100 Most Popular Marine Maintenance Parts as of August 2013.

©2013 Yamaha Motor Corporation, U.S.A. All rights reserved.

F225TLR 0408 / CYLINDER CRANKCASE 3



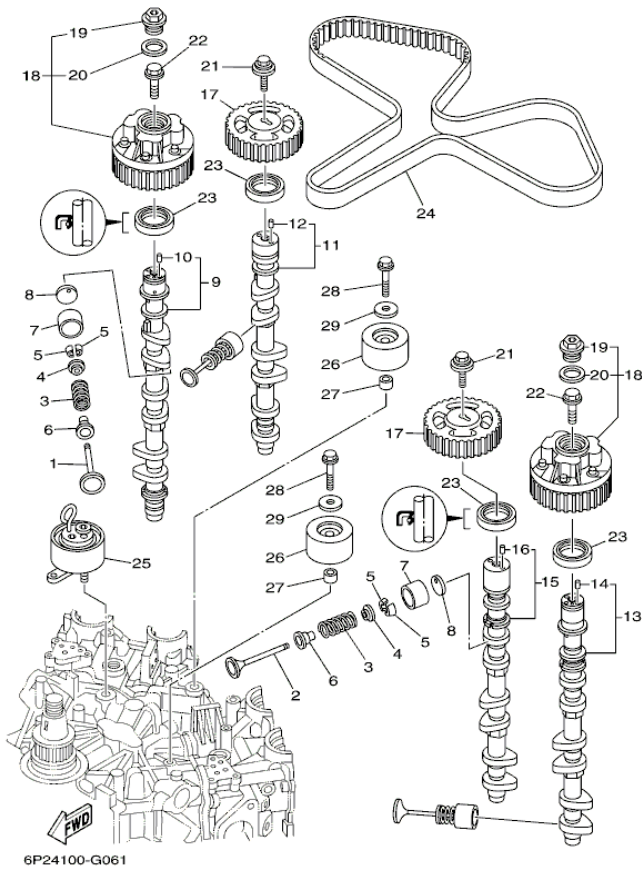
©2013 Yamaha Motor Corporation, U.S.A. All rights reserved.

Part List

F225TLR 0408 / CYLINDER CRANKCASE 3

REF - NO	PART NUMBER	PART NAME	QUANTITY	REMARKS
1	69J-41111-01-9S	INNER COVER, EXHAUST	1	
2	69J-41121-01-9S	INNER COVER, EXHAUST	1	
3	69J-41113-01-9S	OUTER COVER, EXHAUST	1	
4	69J-41123-01-9S	OUTER COVER, EXHAUST	1	
5	6P2-41112-00-00	.GASKET, EXHAUST INNER COVER	1	
6	6P2-41122-00-00	.GASKET, EXHAUST INNER COVER	1	
7	6P2-41114-00-00	.GASKET, EXHAUST OUTER COVER	2	
8	6P2-11325-00-00	ANODE	2	
9	6E5-11325-00-00	ANODE	2	
10	98780-04015-00	SCREW, FLAT HEAD	2	
11	90151-06M02-00	SCREW, COUNTERSUNK	2	
12	91690-40010-00	PIN, SPRING	2	
13	90119-06027-00	BOLT, WITH WASHER	28	
14	97095-08014-00	BOLT	4	
15	90430-08143-00	GASKET	4	
16	90340-18M09-00	PLUG, STRAIGHT SCREW	2	
17	90430-18130-00	.GASKET	2	
18	6P2-11119-00-00	HANGER, ENGINE	1	
19	6P2-1111E-00-00	HANGER, ENGINE 2	1	
20	90119-06MA2-00	BOLT, WITH WASHER	6	
21	90340-14M06-00	PLUG, STRAIGHT SCREW	1	
22	90430-14115-00	.GASKET	1	
23	6P2-86120-00-00	SOLENOID VALVE ASSY	2	
24	6P2-12403-00-00	.FILTER	1	
25	90119-06MA6-00	BOLT, WITH WASHER	6	
26	6P2-83652-00-94	CONNECTOR	1	
27	97095-06030-00	BOLT	2	
28	92995-06600-00	WASHER	2	
29	6H4-24311-00-00	PIPE, FUEL 1	1	
30	90467-08M18-00	CLIP	2	

F225TLR 0408 / VALVE



6P24100-G061

©2013 Yamaha Motor Corporation, U.S.A. All rights reserved.

Part List

F225TLR 0408 / VALVE

REF - NO	PART NUMBER	PART NAME	QUANTITY	REMARKS
1	6P2-12111-00-00	VALVE, INTAKE	12	
2	6P2-12121-00-00	VALVE, EXHAUST	12	
3	69J-12113-01-00	SPRING, VALVE INNER	24	
4	69J-12117-01-00	RETAINER, VALVE SPRING	24	
5	69J-12118-00-00	COTTER, VALVE	48	
6	69J-12119-00-00	SEAL, VALVE STEM	24	
7	69J-12153-00-00	LIFTER, VALVE	24	
8	6S1-12168-30-00	PAD, ADJUSTING (2.380)	24	UR
8	6S1-12169-00-00	PAD, ADJUSTING (2.960)	24	UR
8	6S1-12168-Y0-00	PAD, ADJUSTING (2.940)	24	UR
8	6S1-12168-X0-00	PAD, ADJUSTING (2.920)	24	UR
8	6S1-12168-W0-00	PAD, ADJUSTING (2.900)	24	UR
8	6S1-12168-V0-00	PAD, ADJUSTING (2.880)	24	UR
8	6S1-12168-U0-00	PAD, ADJUSTING (2.860)	24	UR
8	6S1-12168-T0-00	PAD, ADJUSTING (2.840)	24	UR
8	6S1-12168-S0-00	PAD, ADJUSTING (2.820)	24	UR
8	6S1-12168-R0-00	PAD, ADJUSTING (2.800)	24	UR
8	6S1-12168-P0-00	PAD, ADJUSTING (2.780)	24	UR
8	6S1-12168-N0-00	PAD, ADJUSTING (2.760)	24	UR
8	6S1-12168-M0-00	PAD, ADJUSTING (2.740)	24	UR
8	6S1-12168-L0-00	PAD, ADJUSTING (2.720)	24	UR
8	6S1-12168-K0-00	PAD, ADJUSTING (2.700)	24	UR
8	6S1-12168-J0-00	PAD, ADJUSTING (2.680)	24	UR
8	6S1-12168-H0-00	PAD, ADJUSTING (2.660)	24	UR
8	6S1-12168-G0-00	PAD, ADJUSTING (2.640)	24	UR
8	6S1-12168-F0-00	PAD, ADJUSTING (2.620)	24	UR
8	6S1-12168-E0-00	PAD, ADJUSTING (2.600)	24	UR
8	6S1-12168-D0-00	PAD, ADJUSTING (2.580)	24	UR
8	6S1-12168-00-00	PAD, ADJUSTING (2.320)	24	UR
8	6S1-12168-10-00	PAD, ADJUSTING (2.340)	24	UR
8	6S1-12168-20-00	PAD, ADJUSTING (2.360)	24	UR
8	6S1-12168-40-00	PAD, ADJUSTING (2.400)	24	UR
8	6S1-12168-50-00	PAD, ADJUSTING (2.420)	24	UR
8	6S1-12168-60-00	PAD, ADJUSTING (2.440)	24	UR
8	6S1-12168-70-00	PAD, ADJUSTING (2.460)	24	UR
8	6S1-12168-80-00	PAD, ADJUSTING (2.480)	24	UR
8	6S1-12168-90-00	PAD, ADJUSTING (2.500)	24	UR
8	6S1-12168-A0-00	PAD, ADJUSTING (2.520)	24	UR
8	6S1-12168-B0-00	PAD, ADJUSTING (2.540)	24	UR
8	6S1-12168-C0-00	PAD, ADJUSTING (2.560)	24	UR
9	6P2-12171-02-00	CAMSHAFT 1	1	
10	93605-10108-00	.PIN, DOWEL	1	
11	6P2-12181-01-00	CAMSHAFT 2	1	
12	93605-10108-00	.PIN, DOWEL	1	
13	6P2-12172-02-00	CAMSHAFT 3	1	
14	93605-10108-00	.PIN, DOWEL	1	
15	6P2-12182-01-00	CAMSHAFT 4	1	
16	93605-10108-00	.PIN, DOWEL	1	
17	6P2-11537-01-00	GEAR, DRIVEN	2	
18	6P2-12645-10-00	PULLEY ASSY 1	2	
19	6P2-12623-00-00	.BOLT	1	
20	6P2-12663-00-00	.GASKET	1	
21	68V-12157-00-00	BOLT	2	
22	6P2-12615-00-00	BOLT	2	
23	93102-38M59-00	.OIL SEAL	4	
24	6P2-46241-00-00	BELT	1	
25	6P2-11590-00-00	TENSIONER ASSY	1	
26	6P2-15512-00-00	GEAR, IDLER 1	2	
27	90387-10M08-00	COLLAR	2	
28	90119-10M07-00	BOLT, WITH WASHER	2	
29	90201-10M01-00	WASHER, PLATE	2	

Part Notes

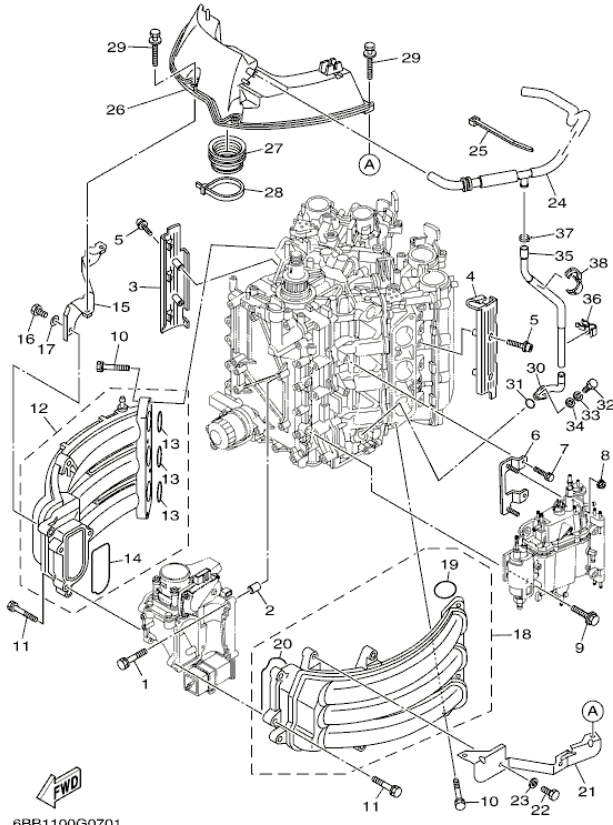
F225TLR 0408 / VALVE

PART NUMBER	NOTE TEXT
69J-12119-00-00	OEM: This part number is among the Top 100 Most Popular Marine Maintenance Parts as of August 2013.



©2013 Yamaha Motor Corporation, U.S.A. All rights reserved.

F225TLR 0408 / INTAKE 1



6BB1100G0701
Revised: 7-10-2012

©2013 Yamaha Motor Corporation, U.S.A. All rights reserved.


Part List

F225TLR 0408 / INTAKE 1

REF - NO	PART NUMBER	PART NAME	QUANTITY	REMARKS
1	97575-08540-00	BOLT, WITH WASHER	4	
2	99530-10114-00	PIN, DOWEL	2	
3	6P2-13564-00-00	COVER, MANIFOLD	1	
4	6P2-13594-00-00	COVER, MANIFOLD 2	1	
5	90110-06038-00	BOLT, HEXAGON SOCKET HEAD	4	
6	6P2-24422-00-00	PLATE	1	
7	97575-06516-00	BOLT, WITH WASHER	2	
8	90179-06M28-00	NUT	2	
9	90119-06M24-00	BOLT, WITH WASHER	2	
10	97575-08540-00	BOLT, WITH WASHER	8	
11	90119-06MA6-00	BOLT, WITH WASHER	6	
12	6BB-13641-00-00	MANIFOLD 1	1	
13	6P2-13645-00-00	.GASKET, MANIFOLD 1	3	
14	6BB-13646-00-00	.GASKET, MANIFOLD 2	1	
15	6BB-13898-00-00	HOLDER	1	
16	97095-06016-00	BOLT	2	
17	92995-06600-00	WASHER	2	
18	6BB-13642-00-00	MANIFOLD 2	1	
19	6P2-13645-00-00	.GASKET, MANIFOLD 1	3	
20	6BB-13646-00-00	.GASKET, MANIFOLD 2	1	
21	6BB-13898-10-00	HOLDER	1	
22	97095-06016-00	BOLT	2	
23	92995-06600-00	WASHER	2	
24	6P2-15373-01-00	PIPE, BREATHER	1	
25	90465-13M18-00	CLAMP	1	
26	6P2-14440-00-00	SILENCER ASSY, INTAKE	1	
27	6P2-14411-00-00	PIPE, SILENCER	1	
28	90464-99004-00	CLAMP	1	
29	90119-06M35-00	BOLT, WITH WASHER	4	
30	6P2-11372-00-00	NIPPLE, HOSE	1	
31	93210-19MJ3-00	.O-RING	1	
32	97095-06020-00	BOLT	1	
33	92995-06100-00	WASHER, SPRING	1	
34	92995-06600-00	WASHER	1	
35	6P2-11377-00-00	HOSE	1	
36	90464-20011-00	CLAMP	1	
37	90465-11M10-00	CLAMP	1	
38	90464-25005-00	CLAMP	1	

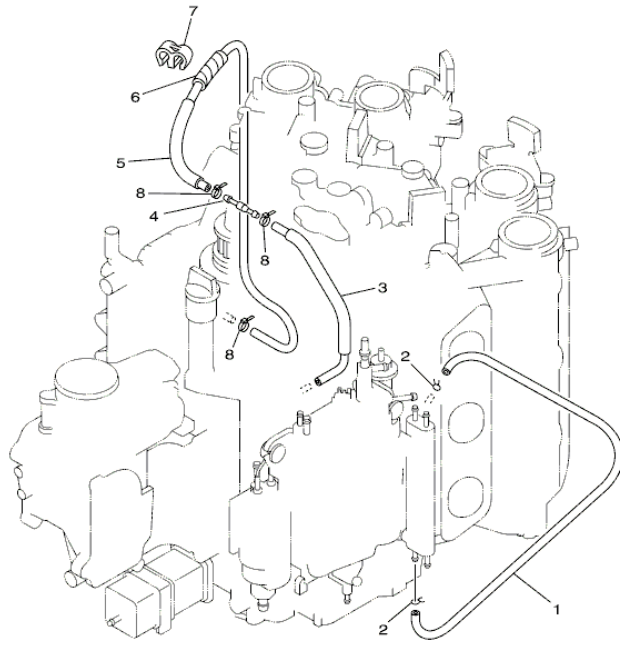
Part Notes

F225TLR 0408 / INTAKE 1

PART NUMBER	NOTE TEXT
92995-06100-00 	OEM: This part number is among the Top 100 Most Popular Marine Maintenance Parts as of August 2013.

©2013 Yamaha Motor Corporation, U.S.A. All rights reserved.

F225TLR 0408 / INTAKE 2



6BB1100-G080

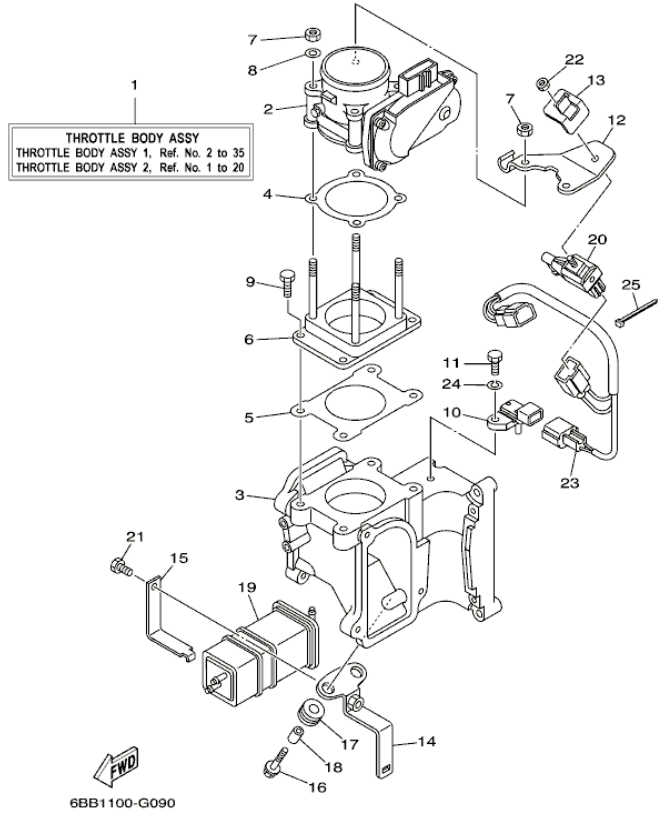
©2013 Yamaha Motor Corporation, U.S.A. All rights reserved.

Part List

F225TLR 0408 / INTAKE 2

REF - NO	PART NUMBER	PART NAME	QUANTITY	REMARKS
1	90445-09120-00	HOSE (L600)	1	
2	90467-09M03-00	CLIP	2	
3	6P2-12482-00-00	PIPE 2	1	
4	6E5-21744-00-00	BREATHER	1	
5	6P2-12483-00-00	PIPE 3	1	
6	90446-10M01-00	HOSE (L60)	1	
7	90464-09M21-00	CLAMP	1	
8	90465-11M10-00	CLAMP	3	

F225TLR 0408 / THROTTLE BODY ASSY 1



©2013 Yamaha Motor Corporation, U.S.A. All rights reserved.

Part List

F225TLR 0408 / THROTTLE BODY ASSY 1

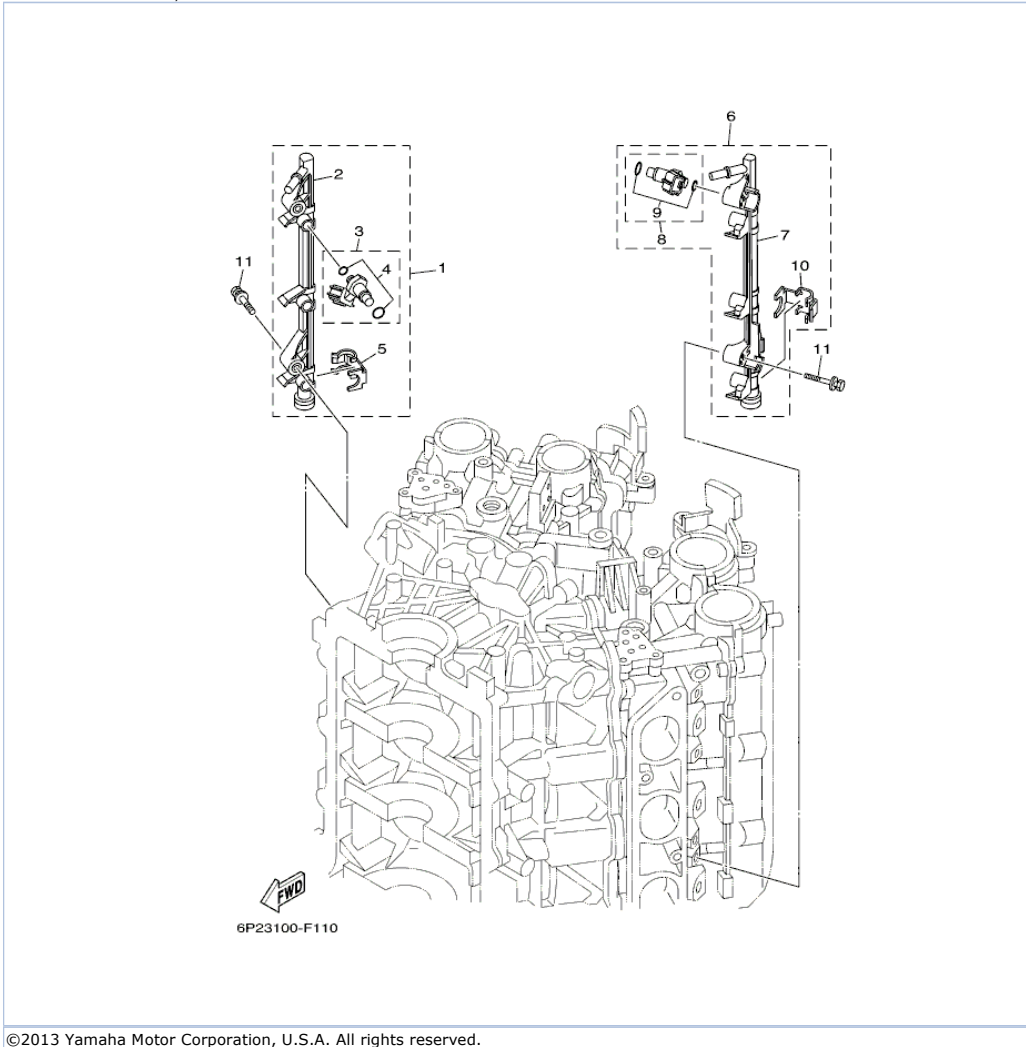
REF - NO	PART NUMBER	PART NAME	QUANTITY	REMARKS
1	6BB-13750-00-00	THROTTLE BODY ASSY	1	
2	6P2-13751-00-00	BODY, THROTTLE 1	1	
3	6BB-13711-00-00	MIXING BODY	1	
4	6P2-13556-00-00	GASKET, MANIFOLD	1	
5	6P2-13557-00-00	GASKET	1	
6	6P2-14360-00-00	THROTTLE DAMPER ASSY	1	
7	6P2-13588-00-00	NUT	4	
8	6P2-13578-00-00	WASHER	2	
9	6P2-14496-00-00	BOLT	4	
10	6P2-82380-00-00	SENSOR, PRESSURE	1	
11	6P2-13573-00-00	BOLT 1	1	
12	6P2-14255-00-00	PLATE	1	
13	6P2-14159-00-00	CLIP	1	
14	6P2-2134X-00-00	BRACKET, CANISTER	1	
15	6P2-2419A-00-00	HOLDER	1	
16	90119-06M59-00	BOLT, WITH WASHER	2	
17	90480-10M23-00	GROMMET	2	
18	90387-06M60-00	COLLAR	2	
19	6P2-24170-00-00	CANISTER ASSY	1	
20	6C5-86120-00-00	SOLENOID VALVE ASSY	1	
21	6P2-13574-00-00	BOLT 2	1	
22	69J-14164-00-00	NUT, HOLDING	1	
23	6P2-8258A-00-00	EXTENSION, WIRE HARNESS	1	
24	68V-14356-00-00	WASHER, SPRING	1	
25	68V-2481H-00-00	CLAMP	1	

Part List

F225TLR 0408 / THROTTLE BODY ASSY 2

REF - NO	PART NUMBER	PART NAME	QUANTITY	REMARKS
1	6P2-14349-00-00	PIPE	1	
2	6P2-13533-00-00	HOSE, VACUUM SENSING 4	1	
3	6P2-13532-00-00	HOSE, VACUUM SENSING 3	1	
4	6P2-13595-00-00	JOINT	1	
5	6P2-1475A-00-00	PIPE 1	1	
6	6P2-1475E-00-00	PIPE 2	1	
7	6P2-13545-00-00	HOSE 1	1	
8	6P2-1475F-00-00	PIPE 3	1	
9	6P2-1475G-00-00	PIPE 4	1	
10	6P2-13546-00-00	HOSE 2	1	
11	6P2-2416A-00-00	HOSE	1	
12	6P2-24135-00-00	CLAMP 1	2	
13	6P2-24136-00-00	CLAMP 2	2	
14	6P2-13758-00-00	PIPE, JOINT	2	
15	6P2-24137-00-00	CLAMP 3	3	
16	6E5-21744-00-00	BREATHER	1	
17	688-24378-00-00	PIPE, JOINT 3	1	
18	6P2-13547-00-00	HOSE 3	1	
19	6P2-13548-00-00	HOSE, AIR 4	1	
20	6P2-24376-00-00	PIPE, JOINT 1	1	

F225TLR 0408 / THROTTLE BODY ASSY 3



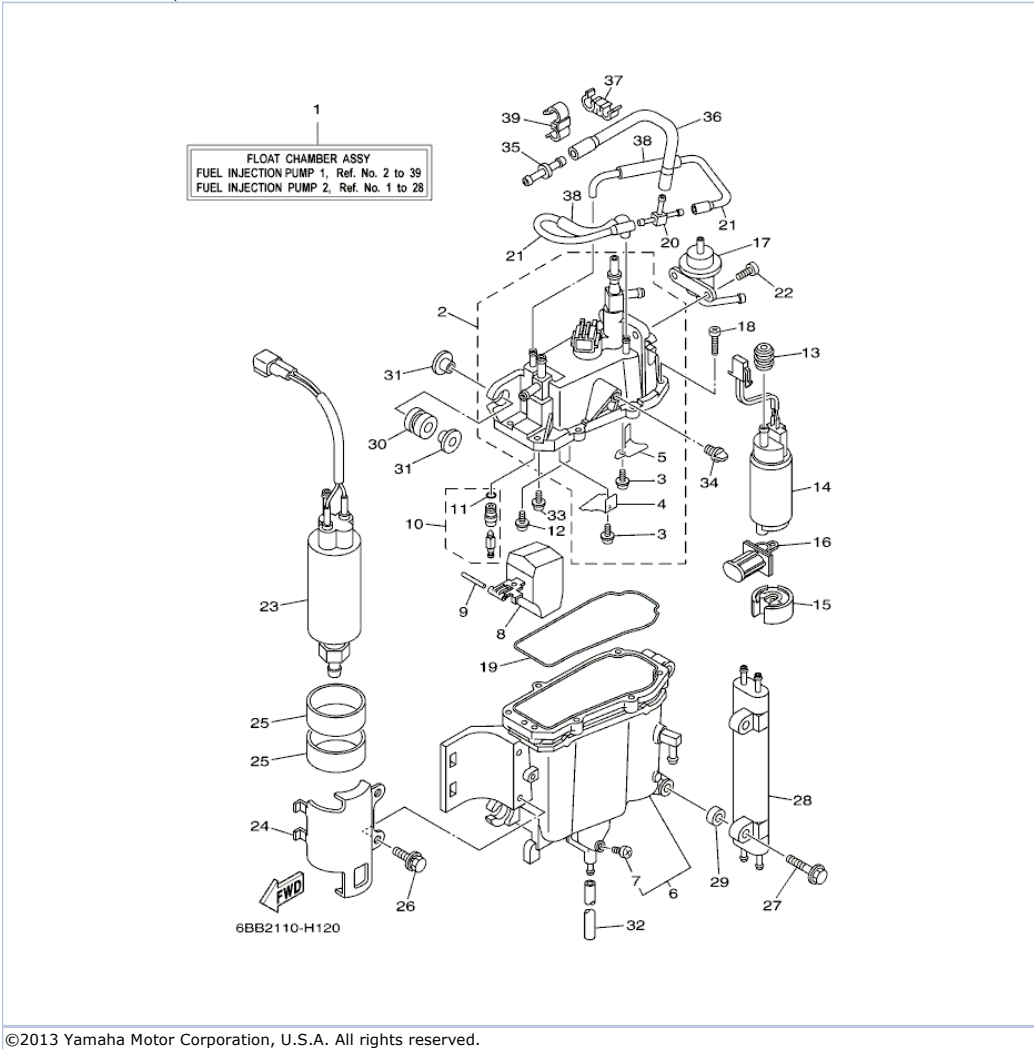
©2013 Yamaha Motor Corporation, U.S.A. All rights reserved.

Part List

F225TLR 0408 / THROTTLE BODY ASSY 3

REF - NO	PART NUMBER	PART NAME	QUANTITY	REMARKS
1	6P2-13160-10-00	DELIVERY PIPE ASSY 1	1	
2	6P2-13161-00-00	.PIPE, DELIVERY 1	1	
3	6P2-13761-10-00	.INJECTOR	3	
4	6C5-1410B-00-00	..PACKING KIT	1	
5	6P2-13577-00-00	.CLIP	3	
6	6P2-13170-10-00	DELIVERY PIPE ASSY 2	1	
7	6P2-13171-00-00	.PIPE, DELIVERY 2	1	
8	6P2-13761-10-00	.INJECTOR	3	
9	6C5-1410B-00-00	..PACKING KIT	1	
10	6P2-13577-00-00	.CLIP	3	
11	90119-06122-00	BOLT, WITH WASHER	4	

F225TLR 0408 / FUEL INJECTION PUMP 1



©2013 Yamaha Motor Corporation, U.S.A. All rights reserved.


Part List

F225TLR 0408 / FUEL INJECTION PUMP 1

REF - NO	PART NUMBER	PART NAME	QUANTITY	REMARKS
1	6BB-14180-01-00	FLOAT CHAMBER ASSY	1	
2	6BB-14182-00-00	COVER, FLOAT CHAMBER	1	
3	4SV-24453-00-00	.SCREW	2	
4	6P2-2411T-00-00	.PLATE 2	1	
5	63P-2411R-00-00	.PLATE 1	1	
6	6P2-14181-00-00	BODY, FLOAT CHAMBER 1	1	
7	6P2-14191-00-00	.PLUG, DRAIN	1	
8	6P2-14985-00-00	FLOAT	1	
9	6P2-14386-00-00	PIN, FLOAT	1	
10	6P2-14546-00-00	VALVE, NEEDLE	1	
11	6P2-13769-00-00	.O-RING	1	
12	4SV-24453-00-00	SCREW	1	
13	68V-13781-10-00	.DAMPER, PUMP	1	
14	6P2-13907-00-00	FUEL PUMP COMP.	1	
15	63P-13784-00-00	.COVER, PUMP	1	
16	63P-13915-00-00	FILTER	1	
17	6P2-13906-00-00	REGULATOR, PRESSURE	1	
18	63P-14567-00-00	SCREW	7	
19	6P2-14984-00-00	GASKET, FLOAT CHAMBER	1	
20	69J-24379-00-00	.PIPE, JOINT 4	1	
21	63P-14148-00-00	PIPE	2	
22	68V-14564-00-00	SCREW	2	
23	69J-24410-02-00	FUEL PUMP ASSY	1	
24	6P2-24491-00-00	BRACKET, FUEL PUMP	1	
25	69J-24492-00-00	BUSH, FUEL PUMP	2	
26	6P2-24592-00-00	BOLT	2	
27	6P2-14446-00-00	BOLT	2	
28	69J-21841-02-00	COOLER	1	
29	68V-14265-00-00	COLLAR	2	
30	69J-13593-00-00	DAMPER	4	
31	69J-13716-00-00	.COLLAR	8	
32	6P2-14149-00-00	PIPE	1	
33	98507-04008-00	..SCREW, PAN HEAD	1	
34	69J-14225-01-00	.CAP	1	
35	6P2-1410F-00-00	NIPPLE 1	1	
36	6P2-14197-00-00	PIPE	1	
37	6P2-2417J-00-00	CLAMP 2	1	
38	6P2-2432I-00-00	PIPE 10	2	
39	6P2-2417K-00-00	CLAMP 3	1	

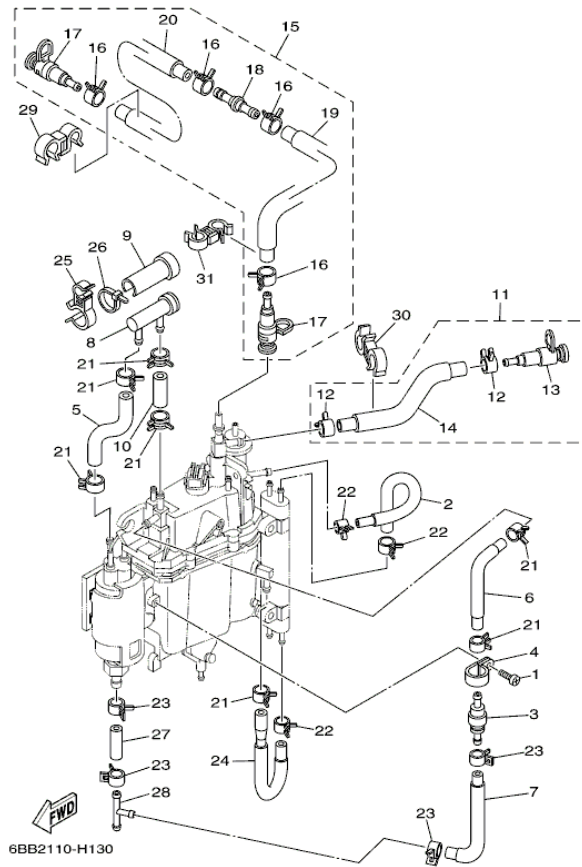
Part Notes

F225TLR 0408 / FUEL INJECTION PUMP 1

PART NUMBER	NOTE TEXT
63P-13915-00-00 	OEM: This part number is among the Top 100 Most Popular Marine Maintenance Parts as of August 2013.

©2013 Yamaha Motor Corporation, U.S.A. All rights reserved.

F225TLR 0408 / FUEL INJECTION PUMP 2



©2013 Yamaha Motor Corporation, U.S.A. All rights reserved.


Part List

F225TLR 0408 / FUEL INJECTION PUMP 2

REF - NO	PART NUMBER	PART NAME	QUANTITY	REMARKS
1	98580-05008-00	.SCREW, PAN HEAD	1	
2	6P2-13976-00-00	PIPE, FUEL 6	1	
3	69J-24460-00-00	RELIEF VALVE ASSY	1	
4	6P2-24367-00-00	CLAMP, FUEL PIPE 2	1	
5	6P2-24324-00-00	PIPE 13	1	
6	6P2-24322-00-00	PIPE 11	1	
7	6P2-24323-00-00	PIPE 12	1	
8	69J-24501-10-00	FILTER, FUEL	1	
9	69J-24599-10-00	CAP	1	
10	69J-24325-00-00	PIPE 14	1	
11	6P2-1257A-10-00	HOSE ASSY 1	1	
12	68V-13577-00-00	.CLIP	2	
13	60E-24300-01-00	.FUEL PIPE JOINT	1	
14	6P2-13974-10-00	.PIPE, FUEL 4	1	
15	6P2-1257E-10-00	HOSE ASSY 2	1	
16	68V-13577-00-00	.CLIP	4	
17	60E-24300-01-00	.FUEL PIPE JOINT	2	
18	6P2-24461-10-00	.PIPE, JOINT	1	
19	6P2-13973-10-00	.PIPE, FUEL 3	1	
20	6P2-13972-10-00	.PIPE, FUEL 2	1	
21	68V-13577-00-00	CLIP	7	
22	68V-24519-00-00	CLIP	3	
23	69J-14137-00-00	CLIP	4	
24	6P2-24315-00-00	PIPE 5	1	
25	6P2-2417H-00-00	CLAMP 1	1	
26	68V-2481H-00-00	CLAMP	1	
27	6P2-24317-00-00	PIPE 7	1	
28	6E5-24378-00-00	PIPE, JOINT 3	1	
29	90464-12010-00	CLAMP	1	
30	90464-18005-00	CLAMP	1	
31	90464-12009-00	CLAMP	1	

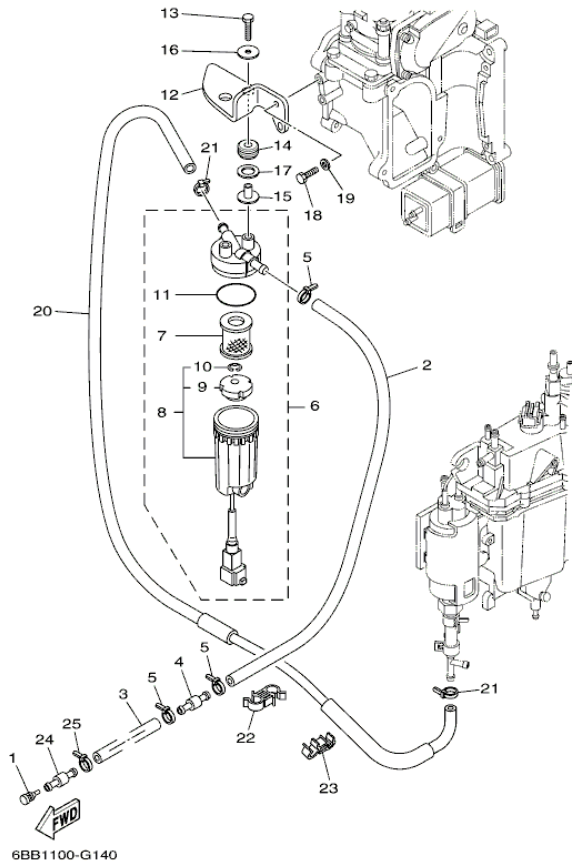
Part Notes

F225TLR 0408 / FUEL INJECTION PUMP 2

PART NUMBER	NOTE TEXT
69J-24501-10-00 	OEM: This part number is among the Top 100 Most Popular Marine Maintenance Parts as of August 2013.

©2013 Yamaha Motor Corporation, U.S.A. All rights reserved.

F225TLR 0408 / FUEL 1



©2013 Yamaha Motor Corporation, U.S.A. All rights reserved.


Part List

F225TLR 0408 / FUEL 1

REF - NO	PART NUMBER	PART NAME	QUANTITY	REMARKS
1	689-85547-00-00	DAMPER	1	
2	6P2-24314-00-00	PIPE 4	1	
3	90445-13511-00	HOSE (L2000)	1	
4	6R3-24377-10-00	PIPE, JOINT 2	1	
5	90465-11M10-00	CLAMP	3	
6	6P3-24560-01-00	FILTER ASSY	1	
7	6P3-24563-00-00	.ELEMENT, FILTER	1	
8	6P3-24562-01-00	.CUP, FILTER	1	
9	6P3-24469-00-00	..FLOAT, WATER LEVEL	1	
10	6P3-24519-00-00	..CLIP	1	
11	6P3-24564-00-00	.GASKET	1	
12	6BB-24566-00-00	BRACKET, FILTER	1	
13	97095-06030-00	BOLT	2	
14	69L-85516-00-00	SPACER	2	
15	90387-06M03-00	COLLAR	2	
16	90201-06101-00	WASHER, PLATE	2	
17	90201-15021-00	WASHER, PLATE	2	
18	97095-06016-00	BOLT	2	
19	92995-06600-00	WASHER	2	
20	6P2-24313-10-00	PIPE 3	1	
21	90465-11M10-00	CLAMP	2	
22	90464-12009-00	CLAMP	1	
23	90464-12010-00	CLAMP	1	
24	6R3-24377-10-00	PIPE, JOINT 2	1	
25	90465-11M10-00	CLAMP	1	

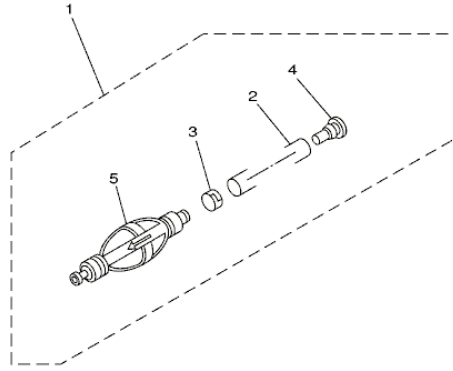
Part Notes

F225TLR 0408 / FUEL 1

PART NUMBER	NOTE TEXT
6P3-24564-00-00 	OEM: This part number is among the Top 100 Most Popular Marine Maintenance Parts as of August 2013.

©2013 Yamaha Motor Corporation, U.S.A. All rights reserved.

F225TLR 0408 / FUEL 2



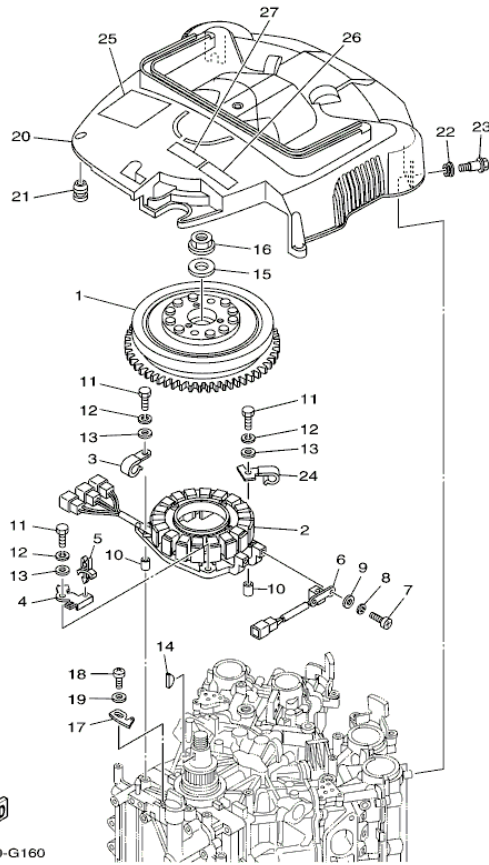
©2013 Yamaha Motor Corporation, U.S.A. All rights reserved.

Part List

F225TLR 0408 / FUEL 2

REF - NO	PART NUMBER	PART NAME	QUANTITY	REMARKS
1	6Y2-24307-50-00	FUEL PIPE COMP. 2	1	AP
2	90445-13M01-00	.HOSE (L2050)	1	
3	6E5-24351-51-00	.BAND 1	1	
4	90480-06M19-00	.GROMMET	1	
5	6Y2-24360-60-00	.PRIMER PUMP ASSY	1	

F225TLR 0408 / GENERATOR



©2013 Yamaha Motor Corporation, U.S.A. All rights reserved.



Part List

F225TLR 0408 / GENERATOR

REF - NO	PART NUMBER	PART NAME	QUANTITY	REMARKS
1	6P2-81450-00-00	ROTOR ASSY	1	
2	6P2-81460-00-00	BASE ASSY	1	
3	90462-08032-00	CLAMP	1	
4	6P2-8257V-00-00	PLATE, CONNECTOR	1	
5	90464-06001-00	CLAMP	1	
6	6P2-85580-00-00	COIL, PULSER	1	
7	97880-05012-00	SCREW, PAN HEAD	2	
8	92990-05100-00	.WASHER, SPRING	2	
9	92990-05600-00	WASHER, PLATE	2	
10	99530-08012-00	PIN, DOWEL	2	
11	97095-06035-00	BOLT	4	
12	92995-06100-00	WASHER, SPRING	4	
13	92995-06600-00	WASHER	4	
14	90280-05015-00	KEY, WOODRUFF	1	
15	90201-24014-00	WASHER, PLATE	1	
16	90179-24002-00	NUT	1	
17	6P2-81332-00-00	PLATE, TIMING	1	
18	97885-06010-00	SCREW, PAN HEAD	1	
19	92995-06600-00	WASHER	1	
20	6P2-81337-00-00	COVER, FLYWHEEL	1	
21	663-82317-01-00	DAMPER, IGNITION COIL	4	
22	90480-12072-00	GROMMET	2	
23	90109-06M04-00	BOLT	2	
24	6P2-81128-00-00	CLAMP	1	
25	6P2-81919-00-00	GRAPHIC, REGULATOR	1	
26	60L-13437-41-00	MARK, CAUTION	1	
27	6AH-81994-40-00	LABEL, SAFETY	1	

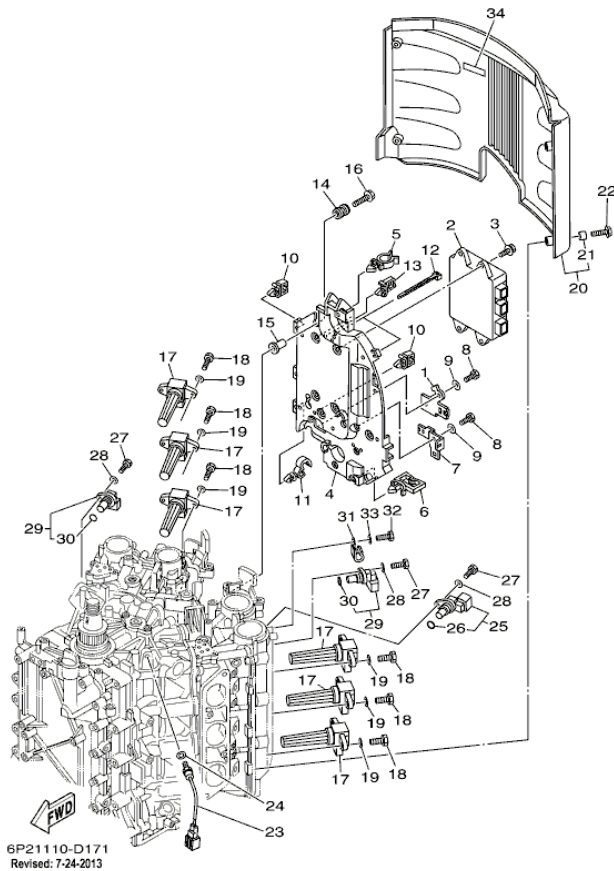
Part Notes

F225TLR 0408 / GENERATOR

PART NUMBER	NOTE TEXT
92995-06100-00 	OEM: This part number is among the Top 100 Most Popular Marine Maintenance Parts as of August 2013.
90480-12072-00 	OEM: GROMMET used on F115TLR and F/LF115TXR 0410 Production and Earlier

©2013 Yamaha Motor Corporation, U.S.A. All rights reserved.

F225TLR 0408 / ELECTRICAL 1



6P21110-D171
Revised: 7-24-2013

©2013 Yamaha Motor Corporation, U.S.A. All rights reserved.


Part List

F225TLR 0408 / ELECTRICAL 1

REF - NO	PART NUMBER	PART NAME	QUANTITY	REMARKS
1	6P2-8257V-00-00	PLATE, CONNECTOR	1	
2	6BB-8591A-00-00	ENGINE CONTROL UNIT ASSY	1	
3	90119-06M82-00	BOLT, WITH WASHER	4	
4	6P2-82316-00-00	BRACKET, IGNITION COIL	1	
5	90464-19M45-00	CLAMP	1	
6	90464-23199-00	CLAMP	1	
7	6P2-81845-00-00	PLATE	1	
8	97095-06016-00	BOLT	2	
9	92995-06600-00	WASHER	2	
10	90464-11121-00	CLAMP	4	
11	90464-13249-00	CLAMP	2	
12	90465-14M66-00	CLAMP	2	
13	90464-08004-00	CLAMP	1	
14	6A0-82317-00-00	DAMPER, IGNITION COIL	4	
15	90387-06119-00	COLLAR	4	
16	90119-06M59-00	BOLT, WITH WASHER	4	
17	6P2-82310-01-00	IGNITION COIL ASSY	6	
18	97095-06020-00	BOLT	12	
19	92995-06600-00	WASHER	12	
20	6P2-82314-00-00	COVER, IGNITION COIL	1	
21	90387-06044-00	.COLLAR	4	
22	90119-06M92-00	BOLT, WITH WASHER	4	
23	61A-85790-00-00	THERMOSENSOR ASSY	1	
24	92990-10600-00	WASHER, PLATE	1	
25	6P2-85896-00-00	SENSOR, CAM POSITION	1	
26	6P2-85075-00-00	.O-RING	1	
27	97095-06020-00	BOLT	3	
28	92995-06600-00	WASHER	3	
29	6P2-85897-00-00	SENSOR, CAM POSITION 2	2	
30	6P2-85075-00-00	.O-RING	1	
31	90462-08032-00	CLAMP	1	
32	97095-06012-00	BOLT	1	
33	92995-06600-00	WASHER	1	
34	67F-12138-40-00	MARK, CAUTION	1	

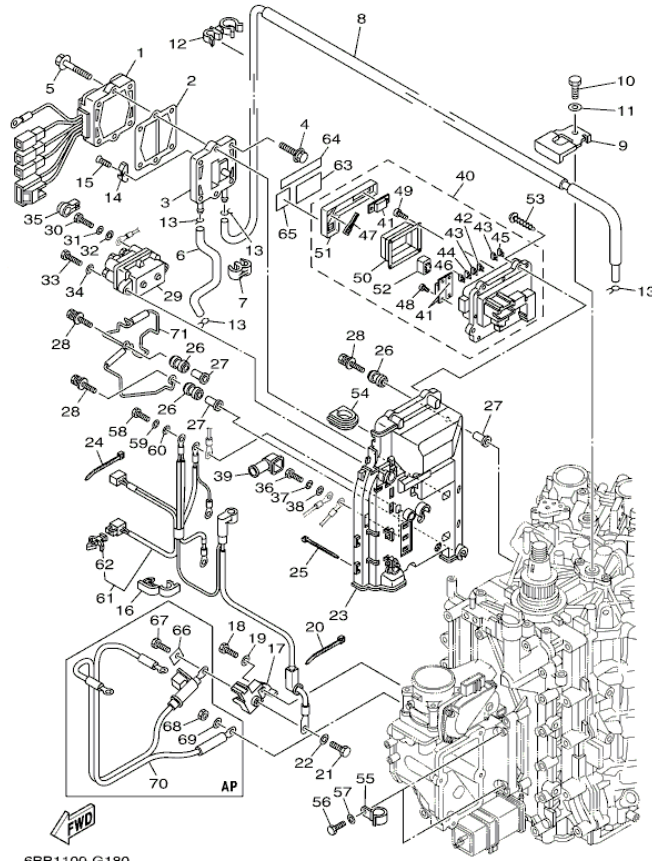
Part Notes

F225TLR 0408 / ELECTRICAL 1

PART NUMBER	NOTE TEXT
92990-10600-00 	OEM: This part number is among the Top 100 Most Popular Marine Maintenance Parts as of August 2013.

©2013 Yamaha Motor Corporation, U.S.A. All rights reserved.

F225TLR 0408 / ELECTRICAL 2



6BB1100-G180

©2013 Yamaha Motor Corporation, U.S.A. All rights reserved.

Part List

F225TLR 0408 / ELECTRICAL 2

REF - NO	PART NUMBER	PART NAME	QUANTITY	REMARKS
1	6P2-81960-02-00	RECTIFIER & REGULATOR ASSY	1	
2	60V-81975-A0-00	PLATE, RECTIFIER FITTING	1	
3	6P2-81972-00-9S	COVER, RECTIFIER	1	
4	90119-06MA3-00	BOLT, WITH WASHER	4	
5	90119-06MA5-00	BOLT, WITH WASHER	2	
6	90445-09304-00	HOSE (L310)	1	
7	90464-09M21-00	CLAMP	1	
8	6P2-12481-00-00	PIPE 1	1	
9	6P2-12491-00-00	CLAMP 1	1	
10	97095-06012-00	BOLT	1	
11	92995-06600-00	WASHER	1	
12	90464-21002-00	CLAMP	2	
13	90467-08M18-00	CLIP	4	
14	6E5-11325-00-00	ANODE	1	
15	98780-04015-00	SCREW, FLAT HEAD	1	
16	90464-18004-00	CLAMP	5	
17	6P2-81925-01-00	TERMINAL	1	
18	97095-08020-00	BOLT	1	
19	92995-08600-00	WASHER	1	
20	90465-13M18-00	CLAMP	1	
21	97095-08016-00	BOLT	1	
22	92995-08600-00	WASHER	1	
23	6P2-81948-00-00	BRACKET	1	
24	90465-13M18-00	CLAMP	6	
25	90465-14M66-00	CLAMP	3	
26	6A0-82317-00-00	DAMPER, IGNITION COIL	5	
27	90387-06119-00	COLLAR	5	
28	90119-06M59-00	BOLT, WITH WASHER	5	
28	90119-06M95-00	BOLT, WITH WASHER	5	UR 6BB:1001374 ~
29	63P-81950-00-00	RELAY ASSY	1	
30	97095-06010-00	BOLT	2	
31	92995-06100-00	WASHER, SPRING	2	
32	92995-06600-00	WASHER	2	
33	97013-06025-00	BOLT	2	
34	92903-06600-00	WASHER, PLATE	2	
35	6P2-8183X-00-00	CAP, TERMINAL	2	
36	97095-06020-00	BOLT	1	
37	92995-06100-00	WASHER, SPRING	1	
38	92995-06600-00	WASHER	1	
39	6P2-82119-00-00	COVER, LEAD WIRE	1	
40	6P2-82170-01-00	FUSE BOX ASSY	1	
41	6P2-82151-00-00	.FUSE (60A)	3	
42	67F-82151-00-00	.FUSE (20A)	2	
43	67F-82151-10-00	.FUSE (30A)	3	
44	67F-82151-20-00	.FUSE (5A)	2	
45	67F-82151-40-00	.FUSE (10A)	2	
46	67F-82151-50-00	.FUSE (15A)	2	
47	67F-2812A-00-00	.PULLER, FUSE	1	
48	68F-82846-00-00	.SCREW, PAN HEAD (M5)	4	
49	6P2-82113-00-00	.SCREW	4	
50	6P2-81639-00-00	.RELAY COVER	1	
51	6P2-85544-00-00	.CASE	1	
52	68F-8195A-00-00	.RELAY ASSY	4	
53	97780-50620-00	SCREW, TAPPING	4	
54	6P2-81336-00-00	GROMMET	1	
55	90462-08026-00	CLAMP	2	
56	97095-06016-00	BOLT	2	
57	92995-06600-00	WASHER	2	
58	97095-06020-00	BOLT	3	
59	92995-06100-00	WASHER, SPRING	3	
60	92995-06600-00	WASHER	3	
61	6P2-8259M-00-00	WIRE HARNESS ASSY 2	1	
62	90464-09M47-00	.CLAMP	1	
63	6P2-81919-10-00	GRAPHIC, REGULATOR	1	
64	6P2-81919-20-00	GRAPHIC, REGULATOR	1	
65	6P2-81919-31-00	GRAPHIC, REGULATOR	1	

66	6P2-81923-00-00	WASHER	1	AP
67	97095-08016-00	BOLT	1	AP
68	95333-08600-00	NUT	1	AP
69	92903-08100-00	WASHER, SPRING	1	AP
70	6P2-82105-01-00	BATTERY CABLE	1	AP
71	6P2-81614-00-00	PROTECTOR	1	UR 6BB:1001374 ~

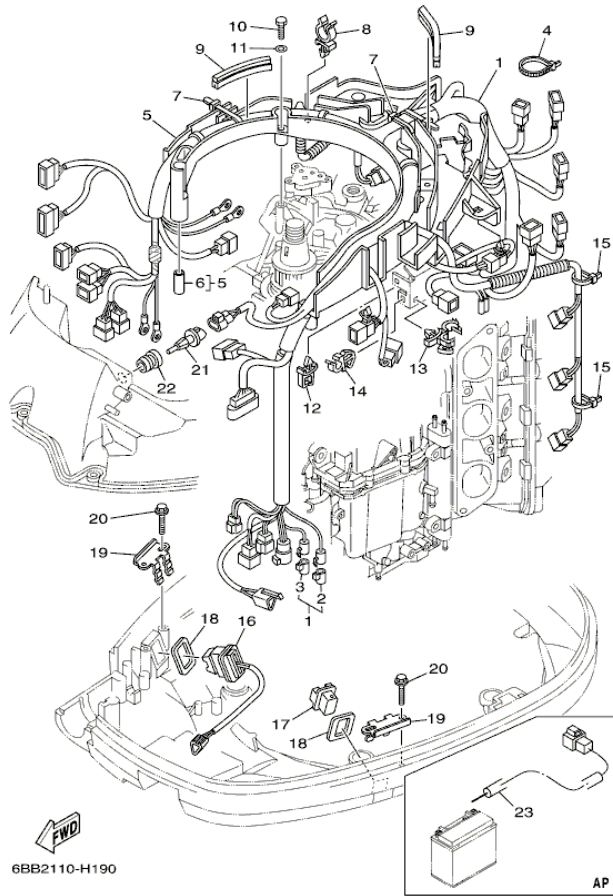
Part Notes

F225TLR 0408 / ELECTRICAL 2

PART NUMBER		NOTE TEXT
92995-06100-00		OEM: This part number is among the Top 100 Most Popular Marine Maintenance Parts as of August 2013.
92995-06100-00		OEM: This part number is among the Top 100 Most Popular Marine Maintenance Parts as of August 2013.
92995-06100-00		OEM: This part number is among the Top 100 Most Popular Marine Maintenance Parts as of August 2013.

©2013 Yamaha Motor Corporation, U.S.A. All rights reserved.

F225TLR 0408 / ELECTRICAL 3



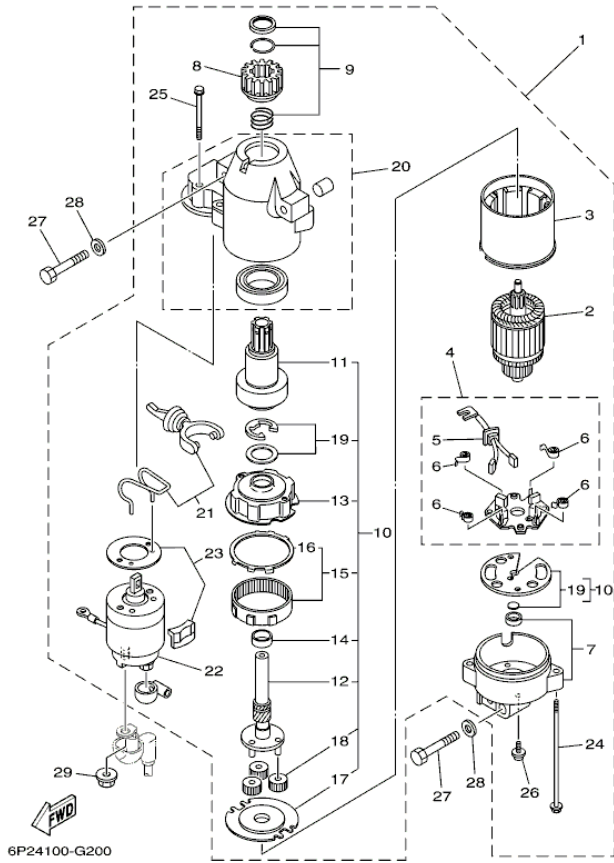
©2013 Yamaha Motor Corporation, U.S.A. All rights reserved.

Part List

F225TLR 0408 / ELECTRICAL 3

REF - NO	PART NUMBER	PART NAME	QUANTITY	REMARKS
1	6P2-82590-31-00	WIRE HARNESS ASSY	1	
2	6P2-82582-00-00	.CAP 1 (FEMALE)	1	
3	6P2-82582-10-00	.CAP 1 (MALE)	1	
4	90465-14M66-00	CLAMP	1	
5	6P2-82589-00-00	PROTECTOR, WIRE HARNESS	1	
6	90387-06M26-00	.COLLAR	6	
7	90465-14M66-00	CLAMP	2	
8	90464-19M45-00	CLAMP	4	
9	6P2-85722-00-00	INSULATOR	2	
10	97095-06035-00	BOLT	6	
11	92995-06600-00	WASHER	6	
12	90464-06001-00	CLAMP	1	
13	90464-18246-00	.CLAMP	1	
14	90464-08051-00	CLAMP	1	
15	90465-13M18-00	CLAMP	3	
16	69J-82563-00-00	TRIM & TILT SWITCH ASSY	1	
17	69J-42723-00-8D	COVER, BOTTOM	1	
18	69J-82587-00-00	GASKET	2	
19	69J-83614-10-00	BRACKET	2	
20	90109-06M86-00	BOLT	4	
21	63P-85886-00-00	SENSOR, AIR TEMPERATURE	1	
22	63P-14435-00-00	GROMMET	1	
23	69J-81949-02-00	WIRE, LEAD (ISOLATOR, 3.8M)	1	AP

F225TLR 0408 / STARTING MOTOR



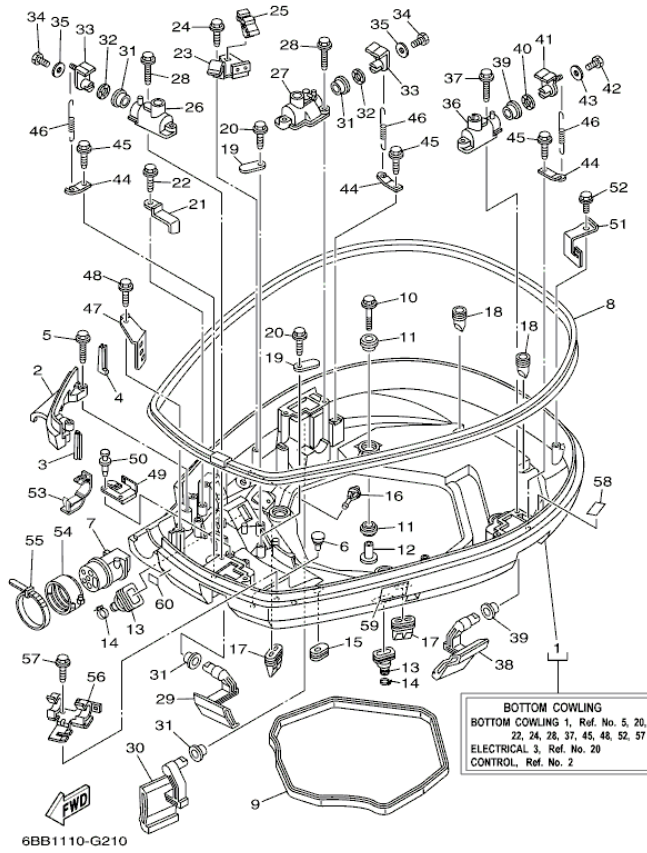
©2013 Yamaha Motor Corporation, U.S.A. All rights reserved.

Part List

F225TLR 0408 / STARTING MOTOR

REF - NO	PART NUMBER	PART NAME	QUANTITY	REMARKS
1	6BR-81800-00-00	STARTING MOTOR ASSY	1	
2	67F-81850-00-00	.ARMATURE ASSY	1	
3	67F-81810-00-00	.STATOR ASSY	1	
4	69J-81840-00-00	.BRUSH HOLDER ASSY	1	
5	69J-81801-00-00	..BRUSH SET	1	
6	67F-81813-00-00	..SPRING, BRUSH	4	
7	67F-81820-00-00	.REAR BRACKET ASSY	1	
8	67F-81808-00-00	.PINION ASSY	1	
9	67F-81857-00-00	.PINION STOPPER SET	1	
10	67F-81807-00-00	.GEAR ASSY, STARTING MOTOR	1	
11	67F-81832-00-00	..CLUTCH, OVER RUN	1	
12	67F-81836-00-00	..SHAFT, PINION	1	
13	67F-81821-00-00	..BRACKET, CENTER 1	1	
14	67F-81841-00-00	..BEARING	1	
15	67F-81891-00-00	..GEAR, RING	1	
16	67F-8183R-00-00	...GASKET	1	
17	67F-81830-00-00	..BRACKET, CENTER 2	1	
18	60V-8183T-00-00	.GEAR, IDLER	3	
19	67F-81809-00-00	..WASHER KIT	1	
20	69J-81842-00-00	.COVER	1	
21	69J-81839-00-00	.LEVER ASSY	1	
22	63P-81941-00-00	.STARTER RELAY ASSY	1	
23	69J-81869-00-00	.COVER, DUST	1	
24	6K7-81826-11-00	.BOLT	2	
25	69J-81828-00-00	.SCREW 2	2	
26	67F-81846-00-00	.SCREW	2	
27	97013-08045-00	BOLT	3	
28	92903-08600-00	WASHER, PLATE	3	
29	90179-08003-00	NUT	1	

F225TLR 0408 / BOTTOM COWLING 1



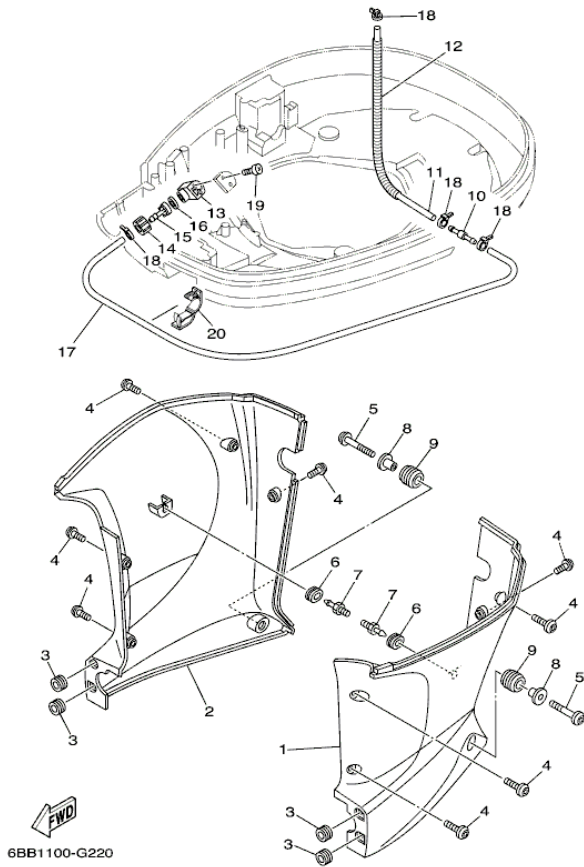
©2013 Yamaha Motor Corporation, U.S.A. All rights reserved.

Part List

F225TLR 0408 / BOTTOM COWLING 1

REF - NO	PART NUMBER	PART NAME	QUANTITY	REMARKS
1	6BB-42710-00-8D	BOTTOM COWLING ASSY	1	
2	6P2-42738-00-8D	PLATE, FITTING	1	
3	6P2-42717-00-00	RUBBER, SEAL 2	1	
4	6P2-42718-00-00	RUBBER, SEAL 3	1	
5	90109-06M82-00	BOLT	2	
6	6H4-42748-00-00	GROMMET	2	
7	6P2-42725-00-00	GROMMET	1	
8	6P2-42615-00-00	SEAL	1	
9	69J-42716-00-00	RUBBER, SEAL 1	1	
10	90119-08M22-00	BOLT, WITH WASHER	4	
11	90480-22M81-00	GROMMET	8	
12	90387-08M37-00	COLLAR	4	
13	6C5-42724-00-00	GROMMET	2	
14	90465-11M10-00	CLAMP	2	
15	61A-42727-00-00	GROMMET	1	
16	6P2-44391-00-00	NIPPLE, HOSE	1	
17	69J-42717-00-00	RUBBER, SEAL 2	2	
18	61A-42717-00-00	RUBBER, SEAL 2	2	
19	6E5-82588-00-00	PLATE	2	
20	90109-06M81-00	BOLT	2	
21	90462-20001-00	CLAMP	1	
22	90109-06M86-00	BOLT	1	
23	6P2-82554-00-00	STAY, NEUTRAL SWITCH	1	
24	90109-06M86-00	BOLT	1	
25	90464-09M47-00	CLAMP	1	
26	69J-42828-02-8D	PLATE, CLAMP	1	
27	6P2-42828-00-8D	PLATE, CLAMP	1	
28	90109-06M82-00	BOLT	4	
29	69J-42815-00-8D	LEVER, CLAMP	1	
30	69J-42817-00-8D	LEVER, CLAMP	1	
31	90386-15M73-00	BUSH	4	
32	90206-15M18-00	WASHER, WAVE	2	
33	63P-42818-01-00	LEVER, CLAMP	2	
34	97095-06020-00	BOLT	2	
35	90201-06068-00	WASHER, PLATE	2	
36	68F-42828-10-8D	PLATE, CLAMP	1	
37	90109-06M82-00	BOLT	2	
38	69J-42816-00-8D	LEVER, CLAMP	1	
39	90386-15M73-00	BUSH	2	
40	90206-15M18-00	WASHER, WAVE	1	
41	68V-42818-01-00	LEVER, CLAMP	1	
42	97095-06020-00	BOLT	1	
43	90201-06068-00	WASHER, PLATE	1	
44	64D-43144-00-00	HOOK, SPRING	3	
45	90109-06M86-00	BOLT	3	
46	90506-18M40-00	SPRING, TENSION	3	
47	6P2-42743-00-00	BRACKET	1	
48	90109-06M82-00	BOLT	1	
49	6P2-42766-10-00	BRACKET 2	1	
50	90269-05005-00	RIVET	2	
51	69J-8366G-01-00	BRACKET 3	1	
52	90109-06M86-00	BOLT	1	
53	90464-18001-00	CLAMP	2	
54	68F-42753-00-00	FASTNER	1	AP
55	90464-20258-00	CLAMP	1	AP
56	6P2-82594-00-00	CLAMP	1	
57	90109-06M86-00	BOLT	1	
58	68V-82377-00-00	LABEL	1	
59	6AH-42794-40-00	LABEL, WARNING (GENERAL)	1	
60	6AH-81996-00-00	MARK	1	

F225TLR 0408 / BOTTOM COWLING 2



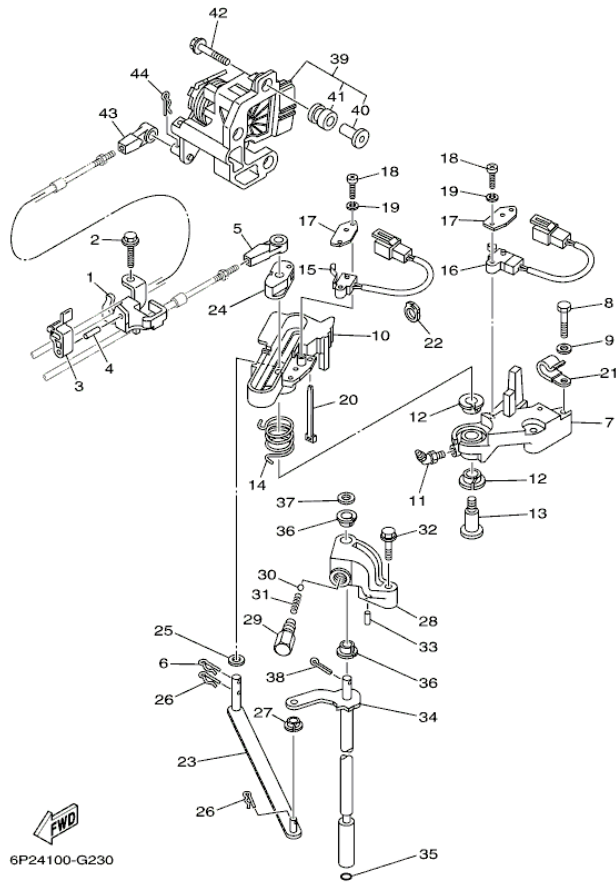
©2013 Yamaha Motor Corporation, U.S.A. All rights reserved.

Part List

F225TLR 0408 / BOTTOM COWLING 2

REF - NO	PART NUMBER	PART NAME	QUANTITY	REMARKS
1	6BB-42741-00-8D	APRON	1	
2	6BB-42771-00-8D	APRON	1	
3	90480-11012-00	GROMMET	4	
4	90111-06111-00	BOLT,HEX. SOCKET BUTTON	8	
5	90111-06113-00	BOLT,HEX. SOCKET BUTTON	2	
6	90480-14M17-00	GROMMET	2	
7	69J-42774-10-00	STAY, APRON 1	2	
8	90387-07028-00	COLLAR	2	
9	90480-16009-00	GROMMET	2	
10	6E5-24379-00-00	PIPE, JOINT 4	1	
11	90445-11M47-00	HOSE (L370)	1	
12	90447-13009-00	TUBE	1	
13	68T-12572-00-00	ADAPTER	1	
14	6R3-12581-00-00	JOINT, HOSE 1	1	
15	6R3-12582-00-00	JOINT, HOSE 2	1	
16	6R3-12583-00-00	GASKET, HOSE JOINT	1	
17	90445-11028-00	HOSE (L1050)	1	
18	90465-11M10-00	CLAMP	4	
19	97780-60520-00	SCREW, TAPPING	2	
20	90464-18004-00	CLAMP	1	

F225TLR 0408 / CONTROL



6P24100-G230

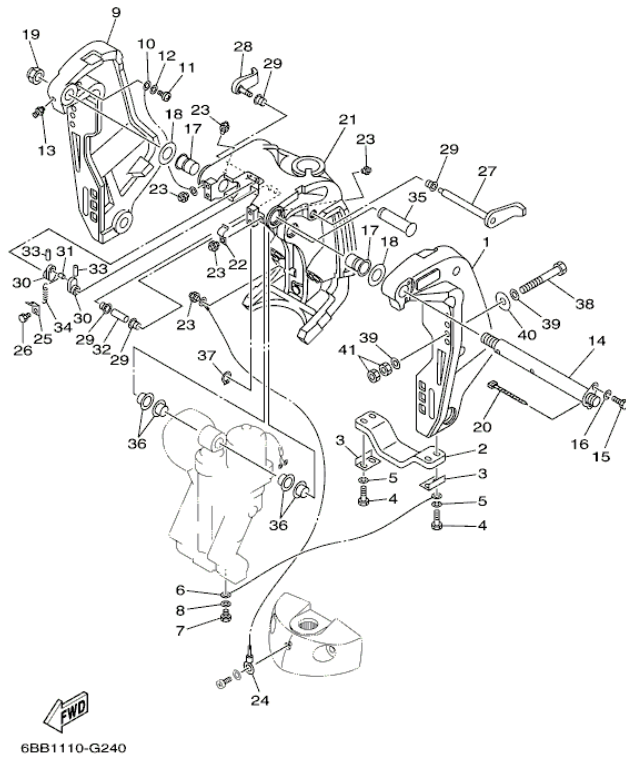
©2013 Yamaha Motor Corporation, U.S.A. All rights reserved.

Part List

F225TLR 0408 / CONTROL

REF - NO	PART NUMBER	PART NAME	QUANTITY	REMARKS
1	6P2-48531-00-00	BRACKET, REMOTE CONTROL 1	1	
2	90109-06M86-00	BOLT	2	
3	63P-48538-00-00	CLAMP, CABLE 1	1	
4	91690-30010-00	PIN, SPRING	1	
5	6E5-48344-00-00	CABLE END, REMOTE CONTROL	1	
6	90468-18008-00	CLIP	1	
7	69J-44117-00-94	BRACKET	1	
8	97095-06035-00	BOLT	2	
9	92995-06600-00	WASHER	2	
10	69J-44176-01-94	BRACKET	1	
11	93700-06M01-00	NIPPLE, GREASE	1	
12	90386-12069-00	BUSH	2	
13	90109-08019-00	BOLT	1	
14	90508-20020-00	SPRING, TORSION	1	
15	60V-8259F-00-00	SWITCH ASSY	1	
16	69J-8259F-00-00	SWITCH ASSY	1	
17	61A-82588-01-00	PLATE	2	
18	97885-04016-00	SCREW, PAN HEAD	4	
19	92995-04100-00	WASHER	4	
20	90465-11M10-00	CLAMP	1	
21	90465-06M86-00	CLAMP	1	
22	90464-09010-00	CLAMP	1	
23	6P2-44121-00-00	LEVER, SHIFT ROD	1	
24	69J-44122-00-00	BUSHING, SHIFT ROD LEVER	1	
25	90202-08M20-00	WASHER, PLATE	1	
26	90468-18008-00	CLIP	2	
27	90386-06M12-00	BUSH	1	
28	69J-44118-00-94	BRACKET	1	
29	648-42715-00-00	BUSHING	1	
30	93501-04M02-00	BALL	1	
31	90501-12082-00	SPRING, COMPRESSION	1	
32	97575-06535-00	BOLT, WITH WASHER	1	
33	91690-30010-00	PIN, SPRING	1	
34	6BB-44120-00-00	HANDLE GEAR SHIFT ASSY	1	
35	93210-09165-00	O-RING	1	
36	90386-90M90-00	BUSH	2	
37	90201-09M02-00	WASHER, PLATE	1	
38	91490-20015-00	PIN. COTTER	1	
39	6P2-8A410-00-00	SENSOR UNIT	1	
40	6P2-44139-00-00	.COLLAR	3	
41	6P2-41273-00-00	.GROMMET	3	
42	90119-06126-00	BOLT, WITH WASHER	3	
43	6E5-48344-00-00	CABLE END, REMOTE CONTROL	1	
44	90468-18008-00	CLIP	1	

F225TLR 0408 / BRACKET 1



©2013 Yamaha Motor Corporation, U.S.A. All rights reserved.





Part List

F225TLR 0408 / BRACKET 1

REF - NO	PART NUMBER	PART NAME	QUANTITY	REMARKS
1	68V-43111-01-8D	BRACKET, CLAMP 1	1	
2	6G5-45251-02-00	ANODE	1	
3	6G5-44526-00-00	PLATE	2	
4	97095-06030-00	BOLT	4	
5	92995-06100-00	WASHER, SPRING	4	
6	6E5-82148-00-00	WIRE, LEAD 4	1	
7	97095-06010-00	BOLT	1	
8	92995-06600-00	WASHER	1	
9	68V-43112-01-8D	BRACKET, CLAMP 2	1	
10	6E5-82148-00-00	WIRE, LEAD 4	1	
11	97885-06012-00	SCREW, PAN HEAD	1	
12	92995-06600-00	WASHER	1	
13	93700-06M03-00	NIPPLE, GREASE	1	
14	64E-43131-10-00	BOLT, CLAMP BRACKET	1	
15	97095-08020-00	BOLT	1	
16	92995-08100-00	WASHER	1	
17	90386-25M31-00	BUSH	2	
18	90201-26M59-00	WASHER, PLATE	2	
19	90185-22007-00	NUT, SELF-LOCKING	1	
20	90465-11M10-00	CLAMP	1	
21	64E-43311-10-8D	BRACKET, SWIVEL 1	1	
22	90465-08M63-00	CLAMP	1	
23	93700-06M03-00	NIPPLE, GREASE	5	
24	6H1-82148-00-00	WIRE, LEAD 4	1	
25	6G5-43144-00-00	HOOK, SPRING	1	
26	97095-06010-00	BOLT	1	
27	6G5-43181-10-00	LEVER, TILT STOP	1	
28	6G5-43185-10-00	LEVER, TILT STOP	1	
29	90386-10M16-00	BUSH	4	
30	6G5-43148-00-00	COLLAR, DISTANCE	2	
31	90249-06M19-00	PIN	1	
32	90387-10M05-00	COLLAR	1	
33	91690-30020-00	PIN, SPRING	2	
34	90506-16003-00	SPRING, TENSION	1	
35	64E-43126-00-00	PIN, UPPER SHOCK MOUNT	1	
36	90386-22M98-00	BUSH	4	
37	93410-22M11-00	CIRCLIP	1	
38	90101-12M77-00	BOLT (L:150MM)	2	UR
38	90101-12M05-00	BOLT (L:130MM)	4	UR
39	90201-13M01-00	WASHER, PLATE	8	
40	90201-12M05-00	WASHER, PLATE	4	
41	95380-12600-00	NUT	8	

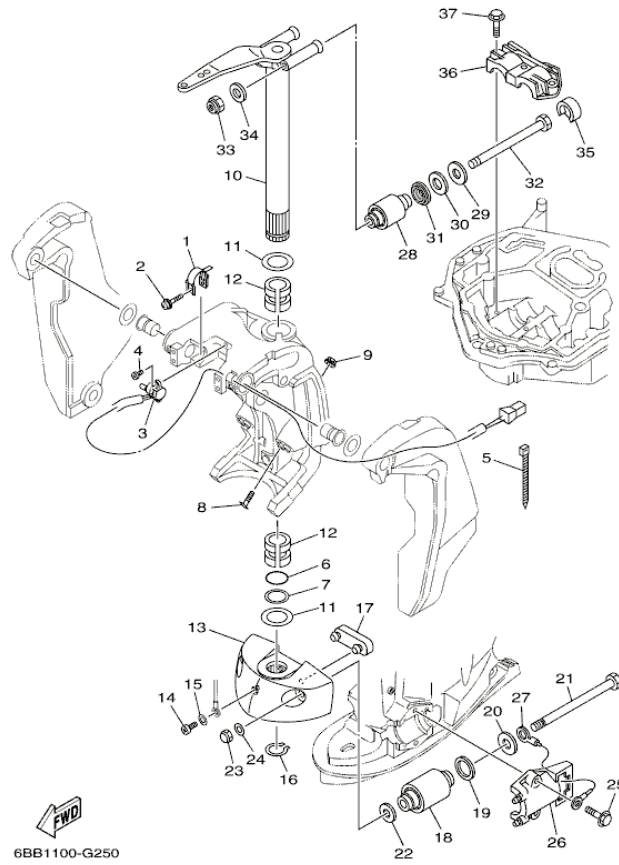
Part Notes

F225TLR 0408 / BRACKET 1

PART NUMBER		NOTE TEXT
6G5-45251-02-00		OEM: This part number is among the Top 100 Most Popular Marine Maintenance Parts as of August 2013.
92995-06100-00		OEM: This part number is among the Top 100 Most Popular Marine Maintenance Parts as of August 2013.
93700-06M03-00		OEM: This part number is among the Top 100 Most Popular Marine Maintenance Parts as of August 2013.
93700-06M03-00		OEM: This part number is among the Top 100 Most Popular Marine Maintenance Parts as of August 2013.

©2013 Yamaha Motor Corporation, U.S.A. All rights reserved.

F225TLR 0408 / BRACKET 2



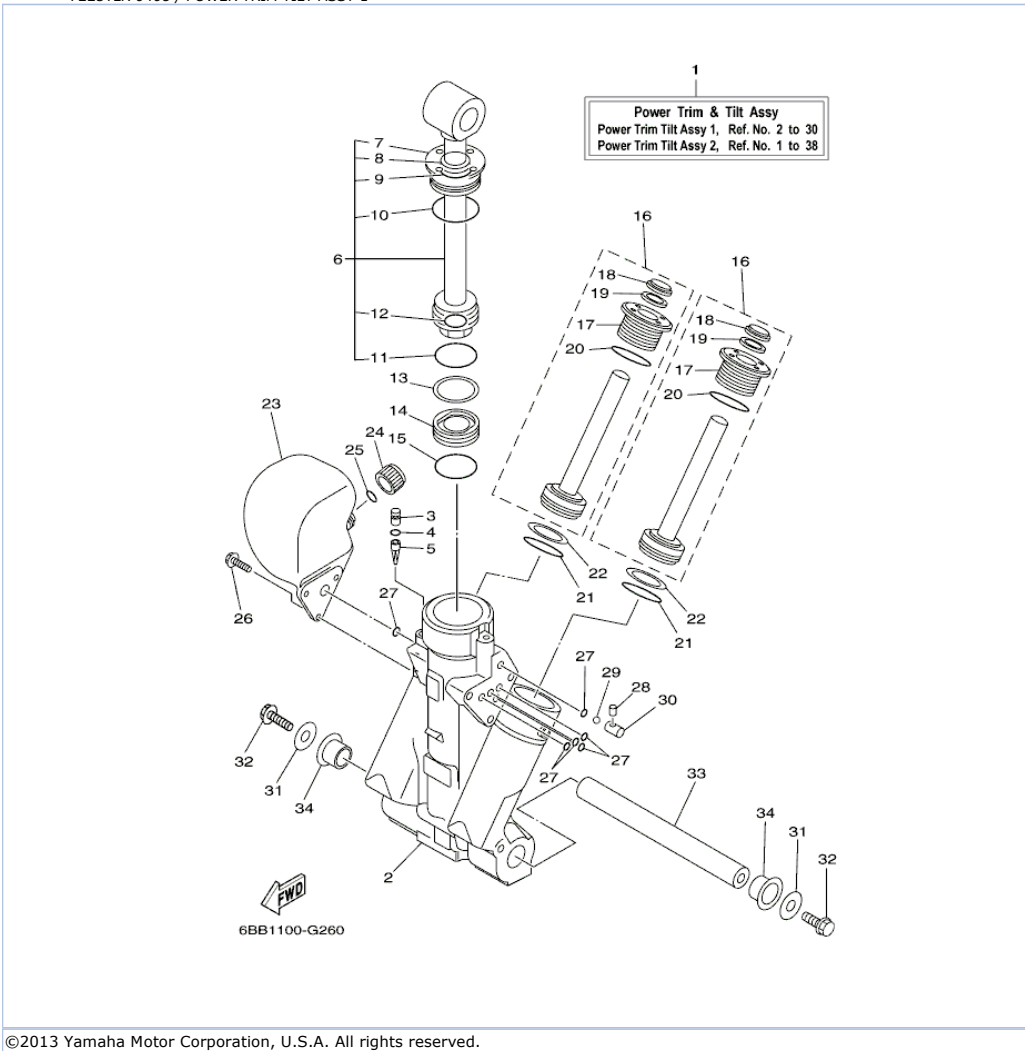
©2013 Yamaha Motor Corporation, U.S.A. All rights reserved.

Part List

F225TLR 0408 / BRACKET 2

REF - NO	PART NUMBER	PART NAME	QUANTITY	REMARKS
1	64E-43139-10-00	CAM, TRIM SENDER	1	
2	90159-05059-00	SCREW, WITH WASHER	1	
3	67H-83672-00-00	TRIM SENDER	1	
4	97885-06016-00	SCREW, PAN HEAD	2	
5	90465-11M10-00	CLAMP	3	
6	93210-37MH7-00	O-RING	1	
7	90202-40M47-00	WASHER, PLATE	1	
8	64E-43376-00-00	BOLT, THRUST RECEIVER	2	
9	95780-10300-00	NUT, FLANGE	2	
10	66K-42510-02-8D	STEERING BRACKET ASSY	1	
11	90201-38M60-00	WASHER, PLATE	2	
12	90386-38M32-00	BUSH	2	
13	6BB-44551-00-8D	HOUSING, LOWER MOUNT RUBBER	1	
14	97885-06012-00	SCREW, PAN HEAD	1	
15	92995-06600-00	WASHER	1	
16	93410-37M04-00	CIRCLIP	1	
17	6E5-44575-00-00	DAMPER, LOWER MOUNT RUBBER	1	
18	60X-44555-00-94	MOUNT DAMPER, LOWER SIDE	2	
19	90202-32M19-00	WASHER, PLATE	2	
20	90201-16016-00	WASHER, PLATE	2	
21	90109-14M80-00	BOLT	2	
22	90201-15M58-00	WASHER, PLATE	2	
23	95380-14800-00	NUT	2	
24	92995-14600-00	WASHER	2	
25	90119-10024-00	BOLT, WITH WASHER	4	
26	61A-44552-01-CA	HOUSING, LOWER MOUNT RUBBER 2	2	
27	6E5-82149-00-00	WIRE, LEAD 3	1	
28	69J-44514-00-94	MOUNT DAMPER, UPPER SIDE	2	
29	90201-16015-00	WASHER, PLATE	2	
30	90202-28M46-00	WASHER, PLATE	2	
31	69J-44532-00-00	STOPPER, UPPER MOUNT	2	
32	90101-14003-00	BOLT	2	
33	90185-14M00-00	NUT, SELF-LOCKING	2	
34	92995-14600-00	WASHER	2	
35	69J-44533-00-00	DAMPER, UPPER MOUNT RUBBER	2	
36	61A-44511-01-94	COVER, UPPER MOUNT	1	
37	90119-10024-00	BOLT, WITH WASHER	3	

F225TLR 0408 / POWER TRIM TILT ASSY 1







Part List

F225TLR 0408 / POWER TRIM TILT ASSY 1

REF - NO	PART NUMBER	PART NAME	QUANTITY	REMARKS
1	63P-43800-02-8D	POWER TRIM & TILT ASSY	1	
2	64E-43825-02-00	HOUSING, TRIM & TILT	1	
3	64E-4388J-00-00	PLUG 2	1	
4	93210-10M74-00	O-RING	1	
5	64E-43817-00-00	FILTER 2	1	
6	63P-43810-01-00	TILT PISTON SUB ASSY	1	
7	64E-43811-01-00	.SCREW, CYLINDER END	1	
8	64E-43898-00-00	.SEAL, DUST 2	1	
9	64E-43867-00-00	.O-RING	1	
10	64E-43866-00-00	.O-RING	1	
11	6E5-43862-00-00	.O-RING	1	
12	64E-43883-00-00	.O-RING	1	
13	6E5-43872-00-00	RING, BACK UP	1	
14	6E5-43814-02-00	PISTON, FREE	1	
15	6E5-43862-00-00	O-RING	1	
16	64E-43820-01-00	PISTON SUB ASSEMBLY	2	
17	64E-43821-01-00	.SCREW, TRIM CYLINDER END	1	
18	64E-43822-00-00	.SEAL, TRIM DUST	1	
19	64E-4384J-00-00	.SEAL, TRIM DOWN	1	
20	6G5-43864-00-00	.O-RING	1	
21	6E5-43864-00-00	O-RING	2	
22	6E5-43874-01-00	RING, BACK UP	2	
23	64E-43828-00-00	BODY, RESERVOIR	1	
24	64E-43829-00-00	PLUG, RESERVOIR	1	
25	64E-43897-00-00	O-RING	1	
26	64E-4388E-00-00	BOLT ,SCREW (L:14MM)	3	
27	64E-43869-00-00	O-RING	6	
28	64E-4381G-00-00	PIN	1	
29	6E5-43858-00-00	BALL	1	
30	64E-4382G-00-00	VALVE, SEAT	1	
31	90201-10060-00	WASHER, PLATE	2	
32	97575-10530-00	BOLT, WITH WASHER	2	
33	6BC-43818-00-00	PIN, LOWER SHOCK MOUNT	1	
34	90386-22M98-00	BUSH	2	

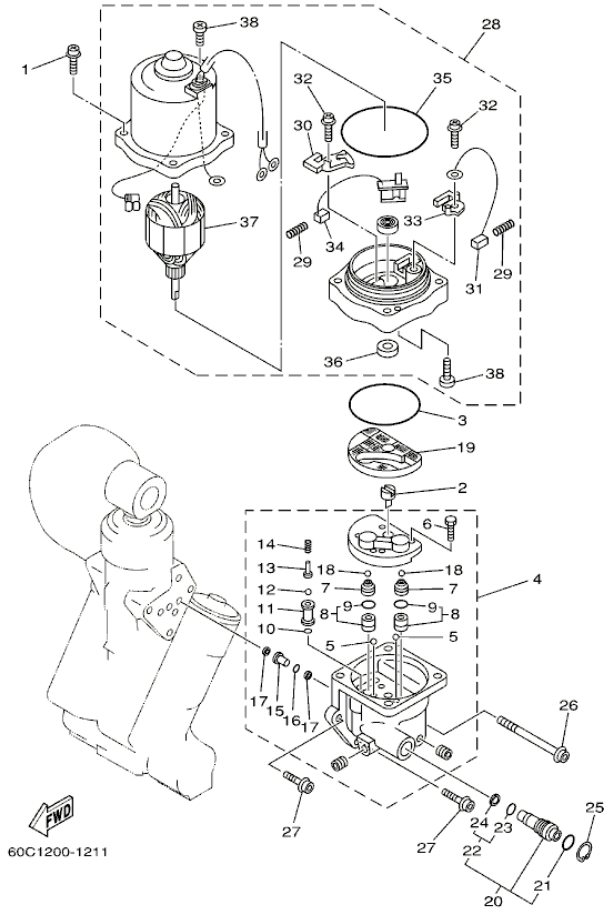
Part Notes

F225TLR 0408 / POWER TRIM TILT ASSY 1

PART NUMBER	NOTE TEXT
64E-43822-00-00 	OEM: This part number is among the Top 100 Most Popular Marine Maintenance Parts as of August 2013.
64E-4384J-00-00 	OEM: This part number is among the Top 100 Most Popular Marine Maintenance Parts as of August 2013.
6G5-43864-00-00 	OEM: This part number is among the Top 100 Most Popular Marine Maintenance Parts as of August 2013.
64E-43869-00-00 	OEM: This part number is among the Top 100 Most Popular Marine Maintenance Parts as of August 2013.

©2013 Yamaha Motor Corporation, U.S.A. All rights reserved.

F225TLR 0408 / POWER TRIM TILT ASSY 2



60C1200-1211

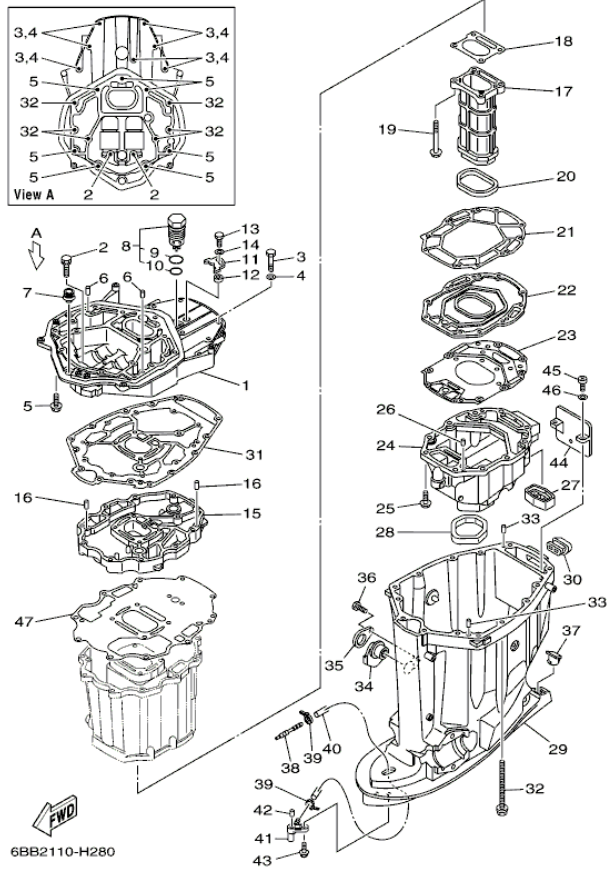
©2013 Yamaha Motor Corporation, U.S.A. All rights reserved.

Part List

F225TLR 0408 / POWER TRIM TILT ASSY 2

REF - NO	PART NUMBER	PART NAME	QUANTITY	REMARKS
1	64E-4388E-10-00	BOLT ,SCREW (L:14MM)	4	
2	64E-43831-00-00	CONNECTOR, SHAFT	1	
3	64E-43868-00-00	O-RING	1	
4	64E-43830-00-00	GEAR PUMP ASSY	1	
5	72X-43858-00-00	.BALL	2	
6	64E-43843-00-00	.SCREW, VALVE LOCK	4	
7	64E-43841-00-00	.PISTON, SHUTTLE	2	
8	64E-43802-00-00	.VALVE SUB ASSY	2	
9	6E5-43896-00-00	..O-RING	1	
10	6G5-43863-00-00	.O-RING	1	
11	64E-43851-00-00	.SEAT, RELIEF VALVE	1	
12	64E-43858-00-00	.BALL	1	
13	64E-43859-00-00	.PIN, VALVE SUPPORT	1	
14	64E-43855-00-00	.SPRING, UP RELIEF	1	
15	64E-43850-00-00	.VALVE SUB ASSY	1	
16	64E-43865-00-00	.O-RING	1	
17	64E-43816-00-00	.FILTER 1	2	
18	64E-43858-00-00	.BALL	2	
19	64E-43817-10-00	FILTER 2	1	
20	64E-43860-00-00	MANUAL VALVE SUB-ASSY	1	
21	72X-85075-L0-00	.O-RING	1	
22	64E-43827-00-00	.RING SET	1	
23	64E-4387A-00-00	..O-RING	1	
24	64E-43873-00-00	..RING, BACK UP	1	
25	64E-43875-00-00	RING, SNAP	1	
26	64E-43879-10-00	SCREW, WITH WASHER	1	
27	64E-43879-00-00	SCREW, WITH WASHER	2	
28	67H-43880-02-00	MOTOR ASSY	1	
29	6H1-4386K-10-00	.SPRING, BRUSH	2	
30	64E-4380J-00-00	.HOLDER, BRUSH	1	
31	64E-43891-00-00	.BRUSH 1	1	
32	97607-04310-00	.SCREW,WITH WASHER	2	
33	64E-4380F-00-00	.HOLDER, BRUSH 2	1	
34	64E-43892-00-00	.BREAKER COMP (BRUSH 2)	1	
35	6G5-43865-00-00	.O-RING	1	
36	93102-08M43-00	.OIL SEAL	1	
37	64E-43805-00-00	.ARMATURE ASSY	1	
38	64E-43843-10-00	.SCREW, VALVE LOCK	3	

F225TLR 0408 / UPPER CASING



©2013 Yamaha Motor Corporation, U.S.A. All rights reserved.






Part List

F225TLR 0408 / UPPER CASING

REF - NO	PART NUMBER	PART NAME	QUANTITY	REMARKS
1	69J-41137-10-CA	GUIDE, EXHAUST	1	
2	90119-08M79-00	BOLT, WITH WASHER	2	
3	97075-10045-00	BOLT	7	
4	92995-10600-00	WASHER	7	
5	97575-10535-00	BOLT, WITH WASHER	7	
6	93608-16M16-00	PIN, DOWEL	2	
7	6E5-42724-00-00	GROMMET	1	
8	6AW-11371-10-00	PRESSURE CONTROL VALVE ASSY	1	
9	93210-347A1-00	.O-RING	1	
10	93210-28543-00	.O-RING	1	
11	69J-12233-00-00	PLATE, GUIDE STOPPER 1	1	
12	90387-06037-00	COLLAR	1	
13	97095-06020-00	BOLT	1	
14	92995-06600-00	WASHER	1	
15	69J-41131-10-CA	MANIFOLD, EXT. 1	1	
16	93608-16M16-00	PIN, DOWEL	2	
17	69J-41132-20-9S	MANIFOLD, EXHAUST	1	
18	6P2-41134-00-00	.GASKET, EXHAUST MANIFOLD	1	
19	97575-08590-00	BOLT, WITH WASHER	4	
20	69J-41138-00-00	.SEAL, EXT. 1	1	
21	69J-41135-A0-00	.GASKET, EXHAUST MANIFOLD	1	
22	69J-45181-10-9S	PLATE	1	
23	6S1-41136-00-00	.GASKET, EXHAUST MANIFOLD 4	1	
24	6BB-14711-00-9S	MUFFLER 1	1	
25	97575-08535-00	BOLT, WITH WASHER	10	
26	93606-19M23-00	PIN, DOWEL	2	
27	69J-45127-00-00	.SEAL	1	
28	69J-45123-00-00	.GASKET, MUFFLER	1	
29	6BB-45111-00-8D	CASING, UPPER	1	
30	69J-42769-00-00	SEAL, RUBBER	1	
31	69J-45113-20-00	.GASKET, UPPER CASING	1	
32	90119-10007-00	BOLT, WITH WASHER	6	
33	93608-16M16-00	PIN, DOWEL	2	
34	6BB-15316-00-00	DAMPER 1	1	
35	6BB-45152-01-8D	COVER, UPPER CASING 2	1	
36	90101-06055-00	BOLT	1	
37	61A-45155-00-00	CAP	1	
38	6E5-83558-00-00	END, NIPPLE	1	
39	90465-11M10-00	CLAMP	2	
40	90445-07ME0-00	HOSE (L1220)	1	
41	66K-45378-00-00	NIPPLE, HOSE	1	
42	93606-12019-00	.PIN, DOWEL	1	
43	90119-06M17-00	BOLT, WITH WASHER	1	
44	69J-14624-01-00	COVER, EXHAUST	1	
45	97880-06016-00	SCREW, PAN HEAD	2	
46	92990-06600-00	WASHER, PLATE	2	
47	69J-15312-01-00	.GASKET, OIL PAN	1	

Part Notes

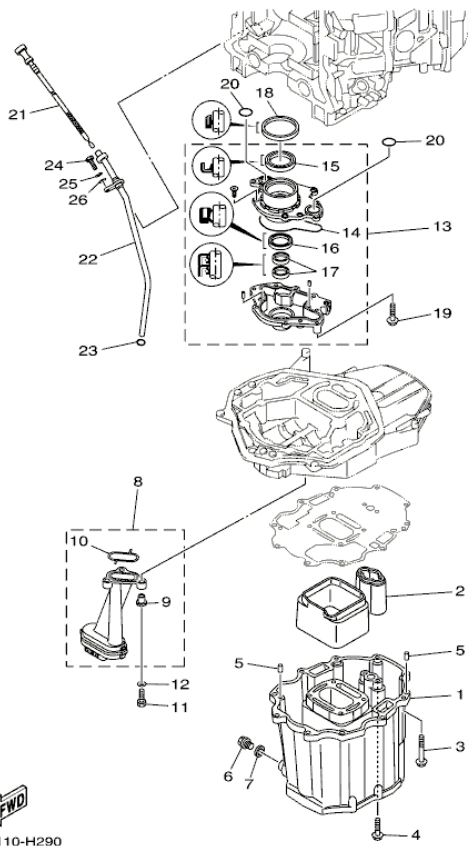
F225TLR 0408 / UPPER CASING

PART NUMBER	NOTE TEXT
69J-41137-10-CA	 OEM: If you are replacing damaged exhaust components on a 3.1L V6 Fourstroke, two kits have been developed to make choosing and ordering the correct parts easier. Ordering either MAR-EXHKT-03-00 (EXH KIT F200-225 for 2002-2003 models) or MAR-EXHKT-04-00 (EXH KIT F200-250 2004 models and up) will get you everything needed to rebuild the entire exhaust system.
6AW-11371-10-00	 OEM: If you are replacing damaged exhaust components on a 3.1L V6 Fourstroke, two kits have been developed to make choosing and ordering the correct parts easier. Ordering either MAR-EXHKT-03-00 (EXH KIT F200-225 for 2002-2003 models) or MAR-EXHKT-04-00 (EXH KIT F200-250 2004 models and up) will get you everything needed to rebuild the entire exhaust system.
69J-41132-20-9S	 OEM: If you are replacing damaged exhaust components on a 3.1L V6 Fourstroke, two kits have been developed to make choosing and ordering the correct parts easier. Ordering either MAR-EXHKT-03-00 (EXH KIT F200-225 for 2002-2003 models) or MAR-EXHKT-04-00 (EXH KIT F200-250 2004 models and up) will get you everything needed to rebuild the entire exhaust system.
6P2-41134-00-00	 OEM: If you are replacing damaged exhaust components on a 3.1L V6 Fourstroke, two kits have been developed to make choosing and ordering the correct parts easier. Ordering either MAR-EXHKT-03-00 (EXH KIT F200-225 for 2002-2003 models) or MAR-EXHKT-04-00 (EXH KIT F200-250 2004 models and up) will get you everything needed to rebuild the entire exhaust system.
69J-41138-00-00	 OEM: If you are replacing damaged exhaust components on a 3.1L V6 Fourstroke, two kits have been developed to make choosing and ordering the correct parts easier. Ordering either MAR-EXHKT-03-00 (EXH KIT F200-225 for 2002-2003 models) or MAR-EXHKT-04-00 (EXH KIT F200-250 2004 models and up) will get you everything needed to rebuild the entire exhaust system.

69J-41135-A0-00		OEM: If you are replacing damaged exhaust components on a 3.1L V6 Fourstroke, two kits have been developed to make choosing and ordering the correct parts easier. Ordering either MAR-EXHKT-03-00 (EXH KIT F200-225 for 2002-2003 models) or MAR-EXHKT-04-00 (EXH KIT F200-250 2004 models and up) will get you everything needed to rebuild the entire exhaust system.
69J-45181-10-9S		OEM: If you are replacing damaged exhaust components on a 3.1L V6 Fourstroke, two kits have been developed to make choosing and ordering the correct parts easier. Ordering either MAR-EXHKT-03-00 (EXH KIT F200-225 for 2002-2003 models) or MAR-EXHKT-04-00 (EXH KIT F200-250 2004 models and up) will get you everything needed to rebuild the entire exhaust system.
6S1-41136-00-00		OEM: If you are replacing damaged exhaust components on a 3.1L V6 Fourstroke, two kits have been developed to make choosing and ordering the correct parts easier. Ordering either MAR-EXHKT-03-00 (EXH KIT F200-225 for 2002-2003 models) or MAR-EXHKT-04-00 (EXH KIT F200-250 2004 models and up) will get you everything needed to rebuild the entire exhaust system.
69J-45127-00-00		OEM: If you are replacing damaged exhaust components on a 3.1L V6 Fourstroke, two kits have been developed to make choosing and ordering the correct parts easier. Ordering either MAR-EXHKT-03-00 (EXH KIT F200-225 for 2002-2003 models) or MAR-EXHKT-04-00 (EXH KIT F200-250 2004 models and up) will get you everything needed to rebuild the entire exhaust system.
69J-45123-00-00		OEM: If you are replacing damaged exhaust components on a 3.1L V6 Fourstroke, two kits have been developed to make choosing and ordering the correct parts easier. Ordering either MAR-EXHKT-03-00 (EXH KIT F200-225 for 2002-2003 models) or MAR-EXHKT-04-00 (EXH KIT F200-250 2004 models and up) will get you everything needed to rebuild the entire exhaust system.
92990-06600-00		OEM: This part number is among the Top 100 Most Popular Marine Maintenance Parts as of August 2013.
69J-15312-01-00		OEM: If you are replacing damaged exhaust components on a 3.1L V6 Fourstroke, two kits have been developed to make choosing and ordering the correct parts easier. Ordering either MAR-EXHKT-03-00 (EXH KIT F200-225 for 2002-2003 models) or MAR-EXHKT-04-00 (EXH KIT F200-250 2004 models and up) will get you everything needed to rebuild the entire exhaust system.

©2013 Yamaha Motor Corporation, U.S.A. All rights reserved.

F225TLR 0408 / OIL PAN



©2013 Yamaha Motor Corporation, U.S.A. All rights reserved.





Part List

F225TLR 0408 / OIL PAN

REF - NO	PART NUMBER	PART NAME	QUANTITY	REMARKS
1	69J-15311-00-CA	OIL PAN	1	
2	69J-15761-00-00	SEAL, RUBBER 1	1	
3	97575-08560-00	BOLT, WITH WASHER	10	
4	97575-08535-00	BOLT, WITH WASHER	2	
5	93608-16M16-00	PIN, DOWEL	2	
6	90340-14M06-00	PLUG, STRAIGHT SCREW	1	
7	90430-14M09-00	.GASKET	1	
8	69J-13411-00-00	STRAINER, OIL	1	
9	90387-06M64-00	.COLLAR	3	
10	69J-13415-00-00	.SEAL, OIL STRAINER	1	
11	97027-06025-00	BOLT, HEXAGON	3	
12	92907-06600-00	WASHER, PLATE	3	
13	69J-13300-02-00	OIL PUMP ASSY	1	
14	69J-13329-00-00	.GASKET, PUMP COVER	1	
15	69J-13338-00-00	.OIL SEAL	1	
16	6AW-13119-00-00	.OIL SEAL	1	
17	69J-13631-00-00	.OIL SEAL	2	
18	69J-11355-00-00	.SEAL, CYLINDER 1	1	
19	97575-06540-00	BOLT, WITH WASHER	4	
20	93210-25552-00	O-RING	2	
21	6P2-15362-00-00	PLUG, OIL LEVEL	1	
22	6P2-15377-00-00	GUIDE, INLET	1	
23	93210-19MJ3-00	.O-RING	1	
24	97095-06020-00	BOLT	1	
25	92995-06100-00	WASHER, SPRING	1	
26	92995-06600-00	WASHER	1	

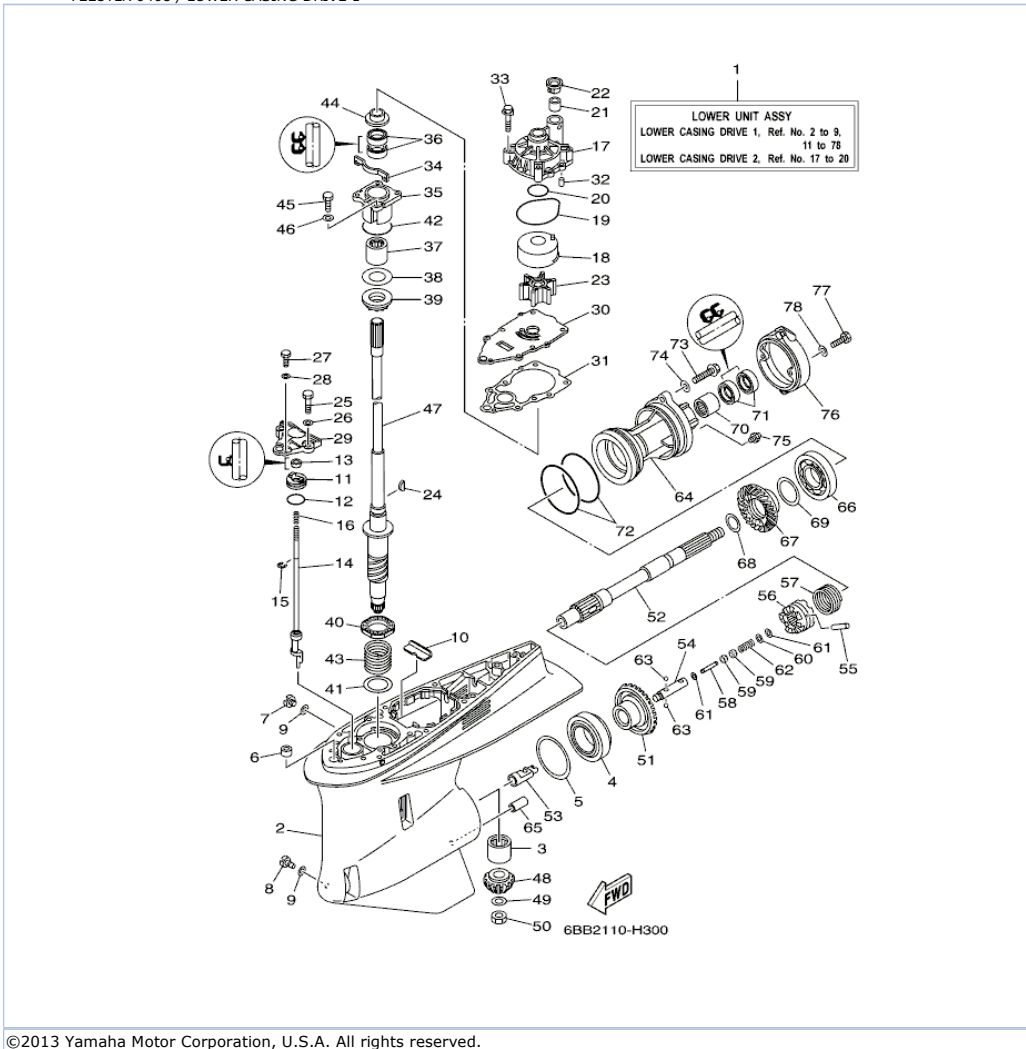
Part Notes

F225TLR 0408 / OIL PAN

PART NUMBER	NOTE TEXT
69J-15761-00-00	 OEM: If you are replacing damaged exhaust components on a 3.1L V6 Fourstroke, two kits have been developed to make choosing and ordering the correct parts easier. Ordering either MAR-EXHKT-03-00 (EXH KIT F200-225 for 2002-2003 models) or MAR-EXHKT-04-00 (EXH KIT F200-250 2004 models and up) will get you everything needed to rebuild the entire exhaust system.
90430-14M09-00	 OEM: This part number is among the Top 100 Most Popular Marine Maintenance Parts as of August 2013.
69J-13411-00-00	 OEM: If you are replacing damaged exhaust components on a 3.1L V6 Fourstroke, two kits have been developed to make choosing and ordering the correct parts easier. Ordering either MAR-EXHKT-03-00 (EXH KIT F200-225 for 2002-2003 models) or MAR-EXHKT-04-00 (EXH KIT F200-250 2004 models and up) will get you everything needed to rebuild the entire exhaust system.
92995-06100-00	 OEM: This part number is among the Top 100 Most Popular Marine Maintenance Parts as of August 2013.

©2013 Yamaha Motor Corporation, U.S.A. All rights reserved.

F225TLR 0408 / LOWER CASING DRIVE 1



©2013 Yamaha Motor Corporation, U.S.A. All rights reserved.

Part List







F225TLR 0408 / LOWER CASING DRIVE 1

REF - NO	PART NUMBER	PART NAME	QUANTITY	REMARKS
1	6BB-45300-00-8D	LOWER UNIT ASSY	1	
2	6P2-45301-10-8D	CASING, LOWER	1	
3	93311-83280-00	BEARING	1	
4	93332-000W1-00	BEARING	1	
5	61A-45567-00-00	SHIM (T:0.10MM)	1	UR
5	61A-45567-10-00	SHIM (T:0.12MM)	1	UR
5	61A-45567-20-00	SHIM (T:0.15MM)	1	UR
5	61A-45567-30-00	SHIM (T:0.18MM)	1	UR
5	61A-45567-40-00	SHIM (T:0.30MM)	1	UR
5	61A-45567-50-00	SHIM (T:0.40MM)	1	UR
5	61A-45567-60-00	SHIM (T:0.50MM)	1	UR
6	663-44366-00-00	DAMPER, WATER SEAL 2	1	
7	90340-08002-00	PLUG, STRAIGHT SCREW	1	
8	688-45341-10-00	PLUG, DRAIN	1	
9	90430-08020-00	.GASKET	2	
10	61A-45376-00-94	GUIDE, SEAL DAMPER	1	
11	65N-45321-00-00	PLATE	1	
12	93210-33M49-00	.O-RING	1	
13	93106-09014-00	.OIL SEAL	1	
14	6P2-44150-00-00	SHIFT CAM ASSY	1	
15	99001-08600-00	CIRCLIP	1	
16	90501-11M10-00	SPRING, COMPRESSION	1	
17	61A-44311-01-00	HOUSING, WATER PUMP	1	
18	61A-44322-02-00	.INSERT, CARTRIDGE	1	
19	93210-86M38-00	.O-RING	1	
20	93210-37160-00	.O-RING	1	
21	6E5-44365-00-00	DAMPER, WATER SEAL 1	1	
22	6E5-44312-00-00	COVER, WATER PUMP HOUSING	1	
23	6E5-44352-01-00	.IMPELLER	1	
24	90280-04M05-00	.KEY, WOODRUFF	1	
25	97095-08030-00	BOLT	2	
26	92995-08600-00	WASHER	2	
27	97095-06016-00	BOLT	1	
28	92995-06600-00	WASHER	1	
29	60X-44312-00-00	COVER, WATER PUMP HOUSING	1	
30	6P2-44323-00-00	.OUTER PLATE, CARTRIDGE	1	
31	60X-44315-A0-00	.GASKET, WATER PUMP	1	
32	93606-12019-00	.PIN, DOWEL	2	
33	90119-08M14-00	.BOLT, WITH WASHER	4	
34	6P2-45723-00-00	PLATE, SEAL	1	
35	6P2-45331-00-9S	HOUSING, BEARING	1	
36	93101-28M16-00	.OIL SEAL	2	
37	93317-330U2-00	BEARING	1	
38	61A-45587-00-00	SHIM (T:0.10MM)	1	UR
38	61A-45587-10-00	SHIM (T:0.12MM)	1	UR
38	61A-45587-20-00	SHIM (T:0.15MM)	1	UR
38	61A-45587-30-00	SHIM (T:0.18MM)	1	UR
38	61A-45587-40-00	SHIM (T:0.30MM)	1	UR
38	61A-45587-50-00	SHIM (T:0.40MM)	1	UR
38	61A-45587-60-00	SHIM (T:0.50MM)	1	UR
39	93341-930U9-00	BEARING	1	
40	93341-34019-00	BEARING	1	
41	90201-42014-00	WASHER, PLATE	1	
42	93210-55M14-00	.O-RING	1	
43	90501-450A2-00	SPRING, COMPRESSION	1	
44	6E5-45344-00-00	COVER, OIL SEAL	1	
45	97095-08025-00	BOLT	4	
46	92995-08600-00	WASHER	4	
47	6BB-45501-00-00	DRIVE SHAFT COMP.	1	
48	6P2-45551-01-00	PINION (15T)	1	
49	90201-16M00-00	WASHER, PLATE	1	
50	90170-16M19-00	NUT	1	
51	6P2-45560-00-00	GEAR 1 (30T)	1	
52	69J-45611-00-00	SHAFT, PROPELLER	1	
53	61A-45641-02-00	SHIFTER	1	

54	61A-45634-01-00	SLIDE, SHIFT	1	
55	61A-45632-00-00	PIN, CROSS	1	
56	69J-45631-00-00	CLUTCH, DOG	1	
57	61A-45633-00-00	RING, CROSS PIN	1	
58	6H1-45668-00-00	SHAFT, FREE 1	1	
59	61A-45635-00-00	PLUNGER, SHIFT	2	
60	90201-02M00-00	WASHER, PLATE	1	
61	90183-02M03-00	NUT, SPRING	2	
62	90501-10M77-00	SPRING, COMPRESSION	1	
63	93501-04011-00	.BALL	2	
64	6D0-45332-00-CA	HOUSING, BEARING	1	
65	99590-10114-00	PIN, DOWEL	1	
66	93306-210U0-00	BEARING	1	
67	6P2-45571-00-00	GEAR 2 (30T)	1	
68	6P2-45578-00-00	SHIM (T:1.80MM)	1	UR
68	6P2-45578-10-00	SHIM (T:1.90MM)	1	UR
68	6P2-45578-20-00	SHIM (T:2.00MM)	1	UR
68	6P2-45578-30-00	SHIM (T:2.10MM)	1	UR
68	6P2-45578-40-00	SHIM (T:2.20MM)	1	UR
69	61A-45577-00-00	SHIM (T:0.10MM)	1	UR
69	61A-45577-10-00	SHIM (T:0.12MM)	1	UR
69	61A-45577-20-00	SHIM (T:0.15MM)	1	UR
69	61A-45577-30-00	SHIM (T:0.18MM)	1	UR
69	61A-45577-40-00	SHIM (T:0.30MM)	1	UR
69	61A-45577-50-00	SHIM (T:0.40MM)	1	UR
69	61A-45577-60-00	SHIM (T:0.50MM)	1	UR
70	93315-43064-00	BEARING	1	
71	93101-30002-00	.OIL SEAL	2	
72	93211-04384-00	.O-RING	2	
73	90105-08049-00	BOLT, FLANGE	2	
74	90201-08023-00	WASHER, PLATE	2	
75	93700-09M00-00	NIPPLE, GREASE	1	
76	6D0-45361-00-8D	CAP, LOWER CASING	1	
77	97095-08020-00	BOLT	2	
78	92995-08600-00	WASHER	2	

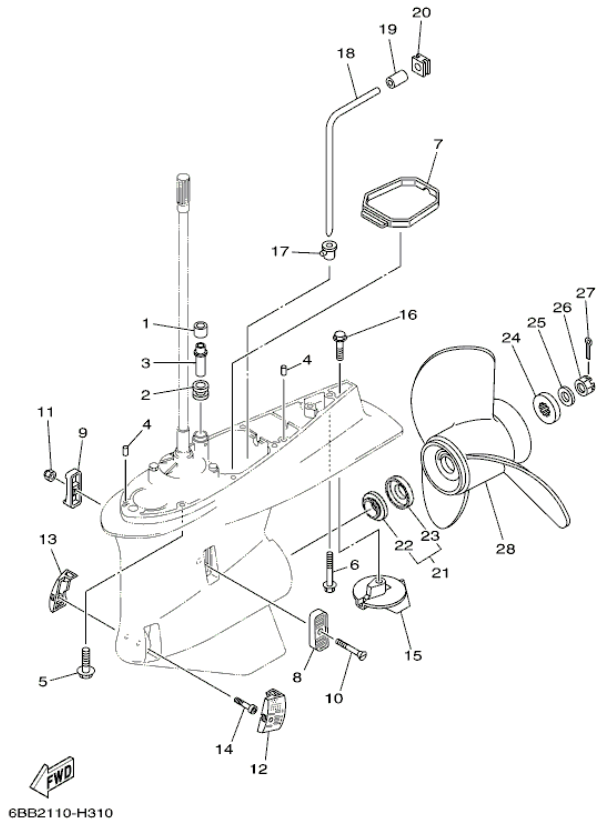
Part Notes

F225TLR 0408 / LOWER CASING DRIVE 1

PART NUMBER		NOTE TEXT
90430-08020-00		OEM: This part number is among the Top 100 Most Popular Marine Maintenance Parts as of August 2013.
93106-09014-00		OEM: This part number is among the Top 100 Most Popular Marine Maintenance Parts as of August 2013.
61A-44311-01-00		OEM: This part number is among the Top 100 Most Popular Marine Maintenance Parts as of August 2013.
93210-86M38-00		OEM: This part number is among the Top 100 Most Popular Marine Maintenance Parts as of August 2013.
6E5-44352-01-00		OEM: This part number is among the Top 100 Most Popular Marine Maintenance Parts as of August 2013.
93101-28M16-00		OEM: This part number is among the Top 100 Most Popular Marine Maintenance Parts as of August 2013.

©2013 Yamaha Motor Corporation, U.S.A. All rights reserved.

F225TLR 0408 / LOWER CASING DRIVE 2



©2013 Yamaha Motor Corporation, U.S.A. All rights reserved.





Part List

F225TLR 0408 / LOWER CASING DRIVE 2

REF - NO	PART NUMBER	PART NAME	QUANTITY	REMARKS
1	6E5-44365-00-00	DAMPER, WATER SEAL 1	1	
2	6E5-44366-00-00	DAMPER, WATER SEAL 2	1	
3	6BB-44361-00-00	TUBE, WATER	1	
4	93608-12M05-00	PIN, DOWEL	2	
5	90119-10038-00	BOLT, WITH WASHER	7	
6	90119-10MA2-00	BOLT, WITH WASHER	1	
7	6D0-45375-00-00	DAMPER, SEAL	1	
8	6P2-45214-00-00	COVER, WATER INLET 1	1	
9	6P2-45215-00-00	COVER, WATER INLET 2	1	
10	90152-05M08-00	SCREW, COUNTERSUNK	1	
11	90185-05002-00	NUT, NYLON	1	
12	6P2-45224-00-00	COVER, WATER INLET 3	1	
13	6P2-45225-00-00	COVER, WATER INLET 4	1	
14	90110-05039-00	BOLT, HEXAGON SOCKET HEAD	1	
15	69L-45371-00-00	TAB-TRIM	1	
16	90105-10M00-00	BOLT, FLANGE	1	
17	6D0-44367-00-00	DAMPER, WATER SEAL 3	1	
18	6D0-44362-01-00	TUBE, WATER 2	1	
19	6D0-44365-00-00	DAMPER, WATER SEAL 1	1	
20	6D0-44366-00-00	DAMPER, WATER SEAL 2	1	
21	99999-03848-00	SPACER SET	1	
22	60X-45987-10-00	SPACER 1	1	
23	60X-45995-00-00	SPACER 3	1	
24	688-45997-01-00	SPACER 2	1	
25	92990-18200-00	WASHER	1	
26	90171-18M04-00	NUT, CASTLE	1	
27	91490-40030-00	PIN. COTTER	1	
28	6R4-45976-A0-00	PROPELLER (3X14-1/2"X15"-M)	1	UR
28	6R4-45978-A0-00	PROPELLER (3X15-1/4"X17"-M)	1	UR
28	6R4-45972-A0-00	PROPELLER (3X14-7/8"X21"-M)	1	UR
28	6R4-45974-A0-00	PROPELLER (3X14-1/2"X23"-M)	1	UR
28	6R4-45970-A1-00	PROPELLER (3X15-1/4"X19"-M)	1	UR
28	6G5-45974-03-98	PROPELLER (3X13-3/4"X19"-M2)	1	UR
28	61A-45978-00-98	PROPELLER (3X15"X17"-T)	1	UR
28	61A-45974-00-98	PROPELLER (3X14-1/2"X19"-T)	1	UR
28	6G5-45970-02-98	PROPELLER (3X15-1/4"X15"-M)	1	UR
28	6G5-45972-02-98	PROPELLER (3X13-3/4"X21"-M)	1	UR
28	6G5-45978-03-98	PROPELLER (3X13-3/4"X17"-M2)	1	UR
28	61A-45972-00-98	PROPELLER (3X14-1/2"X21"-T)	1	UR

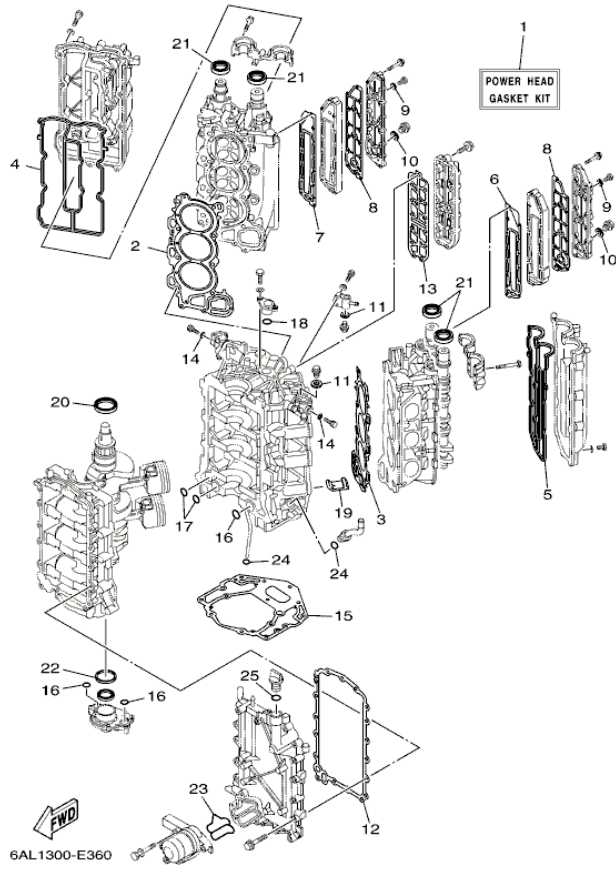
Part Notes

F225TLR 0408 / LOWER CASING DRIVE 2

PART NUMBER	NOTE TEXT
90105-10M00-00	 OEM: This part number is among the Top 100 Most Popular Marine Maintenance Parts as of August 2013.
60X-45987-10-00	 OEM: The part number for a kit containing 1 - 60X-45987-10-00 (SPACER 1) and 1 - 60X-45995-00-00 (SPACER 3) is 99999-03848-00 (SPACER SET).
60X-45995-00-00	 OEM: The part number for a kit containing 1 - 60X-45987-10-00 (SPACER 1) and 1 - 60X-45995-00-00 (SPACER 3) is 99999-03848-00 (SPACER SET).
91490-40030-00	 OEM: This part number is among the Top 100 Most Popular Marine Maintenance Parts as of August 2013.

©2013 Yamaha Motor Corporation, U.S.A. All rights reserved.

F225TLR 0408 / REPAIR KIT 1



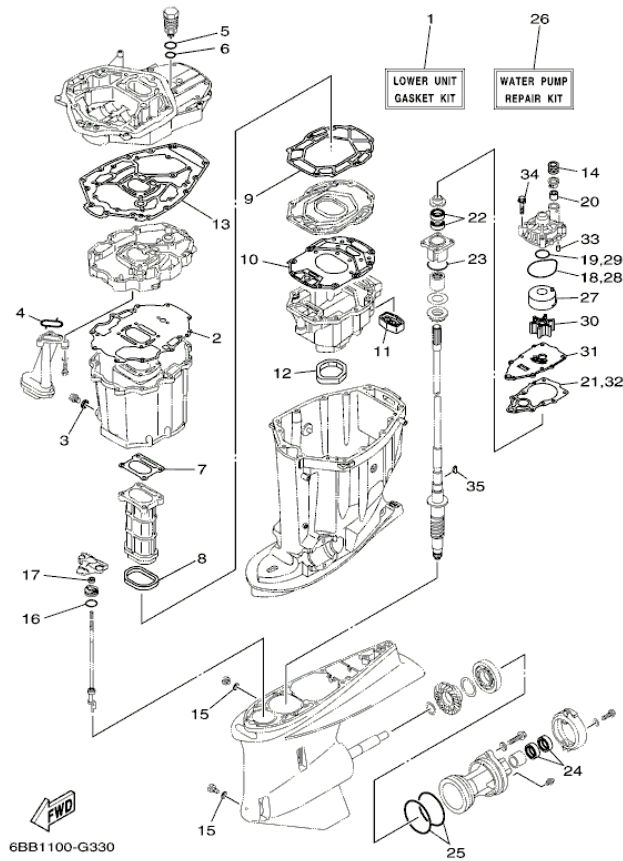
©2013 Yamaha Motor Corporation, U.S.A. All rights reserved.

Part List

F225TLR 0408 / REPAIR KIT 1

REF - NO	PART NUMBER	PART NAME	QUANTITY	REMARKS
1	6P2-W0001-01-00	POWER HEAD GASKET KIT	1	
2	6P2-11181-00-00	.GASKET, CYLINDER HEAD 1	1	
3	6P2-11182-00-00	.GASKET, CYLINDER HEAD 2	1	
4	6P2-11193-00-00	.GASKET, HEAD COVER 1	1	
5	6P2-11194-00-00	.GASKET, HEAD COVER 2	1	
6	6P2-41112-00-00	.GASKET, EXHAUST INNER COVER	1	
7	6P2-41122-00-00	.GASKET, EXHAUST INNER COVER	1	
8	6P2-41114-00-00	.GASKET, EXHAUST OUTER COVER	2	
9	90430-08143-00	.GASKET	4	
10	90430-18130-00	.GASKET	2	
11	90430-14115-00	.GASKET	2	
12	69J-15451-00-00	.GASKET, CRANKCASE COVER 1	1	
13	6P2-1131B-00-00	.GASKET, COVER	1	
14	90430-05002-00	.GASKET	2	
15	69J-11351-11-00	.GASKET, CYLINDER	1	
16	93210-25552-00	.O-RING	3	
17	93210-19MJ1-00	.O-RING	2	
18	93210-25647-00	.O-RING	1	
19	69J-14664-00-00	.GROMMET, WATER SHUT	2	
20	93102-63004-00	.OIL SEAL	1	
21	93102-38M59-00	.OIL SEAL	4	
22	69J-11355-00-00	.SEAL, CYLINDER 1	1	
23	6P2-13477-00-00	.GASKET	1	
24	93210-19MJ3-00	.O-RING	2	
25	93210-24M79-00	.O-RING	1	

F225TLR 0408 / REPAIR KIT 2



©2013 Yamaha Motor Corporation, U.S.A. All rights reserved.









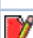


Part List

F225TLR 0408 / REPAIR KIT 2

REF - NO	PART NUMBER	PART NAME	QUANTITY	REMARKS
1	6P2-W0001-30-00	LOWER UNIT GASKET KIT	1	
2	69J-15312-01-00	.GASKET, OIL PAN	1	
3	90430-14M09-00	.GASKET	1	
4	69J-13415-00-00	.SEAL, OIL STRAINER	1	
5	93210-33MG4-00	.O-RING	1	
6	93210-28543-00	.O-RING	1	
7	6P2-41134-00-00	.GASKET, EXHAUST MANIFOLD	1	
8	69J-41138-00-00	.SEAL, EXT 1	1	
9	69J-41135-A0-00	.GASKET, EXHAUST MANIFOLD	1	
10	651-41136-00-00	.GASKET, EXHAUST MANIFOLD 4	1	
11	69J-45127-00-00	.SEAL	1	
12	69J-45123-00-00	.GASKET, MUFFLER	1	
13	69J-45113-20-00	.GASKET, UPPER CASING	1	
14	6E5-44366-00-00	.DAMPER, WATER SEAL 2	1	
15	90430-08020-00	.GASKET	2	
16	93210-33M49-00	.O-RING	1	
17	93106-09014-00	.OIL SEAL	1	
18	93210-86M38-00	.O-RING	1	
19	93210-37160-00	.O-RING	1	
20	6E5-44365-00-00	.DAMPER, WATER SEAL 1	1	
21	60X-44315-A0-00	.GASKET, WATER PUMP	1	
22	93101-28M16-00	.OIL SEAL	2	
23	93210-55M14-00	.O-RING	1	
24	93101-30002-00	.OIL SEAL	2	
25	93211-04384-00	.O-RING	2	
26	6P2-W0078-00-00	WATER PUMP REPAIR KIT	1	
27	61A-44322-02-00	.INSERT, CARTRIDGE	1	
28	93210-86M38-00	.O-RING	1	
29	93210-37160-00	.O-RING	1	
30	6E5-44352-01-00	.IMPELLER	1	
31	6P2-44323-00-00	.OUTER PLATE, CARTRIDGE	1	
32	60X-44315-A0-00	.GASKET, WATER PUMP	1	
33	93606-12019-00	.PIN, DOWEL	2	
34	90119-08M14-00	.BOLT, WITH WASHER	4	
35	90280-04M05-00	.KEY, WOODRUFF	1	

Part Notes

F225TLR 0408 / REPAIR KIT 2

PART NUMBER	NOTE TEXT
69J-15312-01-00	 OEM: If you are replacing damaged exhaust components on a 3.1L V6 Fourstroke, two kits have been developed to make choosing and ordering the correct parts easier. Ordering either MAR-EXHKT-03-00 (EXH KIT F200-225 for 2002-2003 models) or MAR-EXHKT-04-00 (EXH KIT F200-250 2004 models and up) will get you everything needed to rebuild the entire exhaust system.
90430-14M09-00	 OEM: This part number is among the Top 100 Most Popular Marine Maintenance Parts as of August 2013.
6P2-41134-00-00	 OEM: If you are replacing damaged exhaust components on a 3.1L V6 Fourstroke, two kits have been developed to make choosing and ordering the correct parts easier. Ordering either MAR-EXHKT-03-00 (EXH KIT F200-225 for 2002-2003 models) or MAR-EXHKT-04-00 (EXH KIT F200-250 2004 models and up) will get you everything needed to rebuild the entire exhaust system.
69J-41138-00-00	 OEM: If you are replacing damaged exhaust components on a 3.1L V6 Fourstroke, two kits have been developed to make choosing and ordering the correct parts easier. Ordering either MAR-EXHKT-03-00 (EXH KIT F200-225 for 2002-2003 models) or MAR-EXHKT-04-00 (EXH KIT F200-250 2004 models and up) will get you everything needed to rebuild the entire exhaust system.
69J-41135-A0-00	 OEM: If you are replacing damaged exhaust components on a 3.1L V6 Fourstroke, two kits have been developed to make choosing and ordering the correct parts easier. Ordering either MAR-EXHKT-03-00 (EXH KIT F200-225 for 2002-2003 models) or MAR-EXHKT-04-00 (EXH KIT F200-250 2004 models and up) will get you everything needed to rebuild the entire exhaust system.
651-41136-00-00	 OEM: If you are replacing damaged exhaust components on a 3.1L V6 Fourstroke, two kits have been developed to make choosing and ordering the correct parts easier. Ordering either MAR-EXHKT-03-00 (EXH KIT F200-225 for 2002-2003 models) or MAR-EXHKT-04-00 (EXH KIT F200-250 2004 models and up) will get you everything needed to rebuild the entire exhaust system.
69J-45127-00-00	 OEM: If you are replacing damaged exhaust components on a 3.1L V6 Fourstroke, two kits have been developed to make choosing and ordering the correct parts easier. Ordering either MAR-EXHKT-03-00 (EXH KIT F200-225 for 2002-2003 models) or MAR-EXHKT-04-00 (EXH KIT F200-250 2004 models and up) will get you everything needed to rebuild the entire exhaust system.
69J-45123-00-00	 OEM: If you are replacing damaged exhaust components on a 3.1L V6 Fourstroke, two kits have been developed to make choosing and ordering the correct parts easier. Ordering either MAR-EXHKT-03-00 (EXH KIT F200-225 for 2002-2003 models) or MAR-EXHKT-04-00 (EXH KIT F200-250 2004 models and up) will get you everything needed to rebuild the entire exhaust system.
90430-08020-00	 OEM: This part number is among the Top 100 Most Popular Marine Maintenance Parts as of August 2013.
93106-09014-00	 OEM: This part number is among the Top 100 Most Popular Marine Maintenance Parts as of August 2013.
93210-86M38-00	 OEM: This part number is among the Top 100 Most Popular Marine Maintenance Parts as of August 2013.

00		
93101-28M16-00		OEM: This part number is among the Top 100 Most Popular Marine Maintenance Parts as of August 2013.
6P2-W0078-00-00		OEM: This part number is among the Top 100 Most Popular Marine Maintenance Parts as of August 2013.
93210-86M38-00		OEM: This part number is among the Top 100 Most Popular Marine Maintenance Parts as of August 2013.
6E5-44352-01-00		OEM: This part number is among the Top 100 Most Popular Marine Maintenance Parts as of August 2013.

©2013 Yamaha Motor Corporation, U.S.A. All rights reserved.

©2013 Yamaha Motor Corporation, U.S.A. All rights reserved.